

SECTION **HA**

HEATER & AIR CONDITIONING SYSTEM

CONTENTS

PRECAUTION	3	FLUORESCENT LEAK DETECTOR	24	A
PRECAUTIONS	3	Checking of Refrigerant Leaks	24	B
Precaution for Supplemental Restraint System (SRS) "AIR BAG" and "SEAT BELT PRE-TENSIONER"	3	Checking System for Leaks Using the Fluorescent Dye Leak Detector	24	C
Precaution Necessary for Steering Wheel Rotation After Battery Disconnect	3	Dye Injection	24	D
Precaution for Working with HFC-134a (R-134a).....	4	ELECTRICAL LEAK DETECTOR	26	E
Precaution for Procedure without Cowl Top Cover.....	4	Checking of Refrigerant Leaks	26	F
Contaminated Refrigerant	4	Electronic Refrigerant Leak Detector	26	G
General Refrigerant Precaution	5	REMOVAL AND INSTALLATION	29	H
Precaution for Leak Detection Dye	5	REFRIGERATION SYSTEM	29	HA
A/C Identification Label	5	Component	29	J
Precaution for Refrigerant Connection	5	COMPRESSOR	31	K
Precaution for Service of Compressor	10	Exploded View	31	L
Precaution for Service Equipment	10	Removal and Installation	31	M
PREPARATION	13	MAGNET CLUTCH	33	N
PREPARATION	13	Exploded View	33	O
Special Service Tool	13	Removal and Installation for Compressor Clutch	33	P
HFC-134a (R-134a) Service Tool and Equipment... ..	13	LOW-PRESSURE FLEXIBLE HOSE	37	
Commercial Service Tool	16	Removal and Installation	37	
SYSTEM DESCRIPTION	17	LOW-PRESSURE PIPE	38	
REFRIGERATION SYSTEM	17	Removal and Installation for Low-Pressure Pipe	38	
Refrigerant Cycle	17	Removal and Installation for Rear High and Low-Pressure A/C and Heater Core Pipes	38	
Refrigerant System Protection	18	Removal and Installation for Underfloor Rear High and Low-Pressure A/C and Heater Core Pipes	39	
OIL	19	HIGH-PRESSURE FLEXIBLE HOSE	41	
Maintenance of Oil in Compressor	19	Removal and Installation	41	
PERIODIC MAINTENANCE	20	HIGH-PRESSURE PIPE	42	
REFRIGERATION SYSTEM	20	Removal and Installation for High-Pressure Pipe	42	
HFC-134a (R-134a) Service Procedure	20	Removal and Installation for Rear High and Low-Pressure A/C and Heater Core Pipes	42	
OIL	22	Removal and Installation for Underfloor Rear High and Low-Pressure A/C and Heater Core Pipes	44	
Maintenance of Oil Quantity in Compressor	22			

CONDENSER	45	LIQUID TANK	50
Removal and Installation	45	Removal and Installation	50
AMBIENT SENSOR	46	SERVICE DATA AND SPECIFICATIONS	
Removal and Installation	46	(SDS)	51
REFRIGERANT PRESSURE SENSOR	47	SERVICE DATA AND SPECIFICATIONS	
Removal and Installation	47	(SDS)	51
EXPANSION VALVE	48	Service Data and Specification (SDS)	51
Removal and Installation - Front Expansion Valve..	48		
Removal and Installation - Rear Expansion Valve..	48		

PRECAUTIONS

< PRECAUTION >

PRECAUTION

PRECAUTIONS

Precaution for Supplemental Restraint System (SRS) "AIR BAG" and "SEAT BELT PRE-TENSIONER"

INFOID:000000009823757

The Supplemental Restraint System such as "AIR BAG" and "SEAT BELT PRE-TENSIONER", used along with a front seat belt, helps to reduce the risk or severity of injury to the driver and front passenger for certain types of collision. This system includes seat belt switch inputs and dual stage front air bag modules. The SRS system uses the seat belt switches to determine the front air bag deployment, and may only deploy one front air bag, depending on the severity of a collision and whether the front occupants are belted or unbelted. Information necessary to service the system safely is included in the SR and SB section of this Service Manual.

WARNING:

- To avoid rendering the SRS inoperative, which could increase the risk of personal injury or death in the event of a collision which would result in air bag inflation, all maintenance must be performed by an authorized NISSAN/INFINITI dealer.
- Improper maintenance, including incorrect removal and installation of the SRS, can lead to personal injury caused by unintentional activation of the system. For removal of Spiral Cable and Air Bag Module, see the SR section.
- Do not use electrical test equipment on any circuit related to the SRS unless instructed to in this Service Manual. SRS wiring harnesses can be identified by yellow and/or orange harnesses or harness connectors.

PRECAUTIONS WHEN USING POWER TOOLS (AIR OR ELECTRIC) AND HAMMERS

WARNING:

- When working near the Airbag Diagnosis Sensor Unit or other Airbag System sensors with the Ignition ON or engine running, DO NOT use air or electric power tools or strike near the sensor(s) with a hammer. Heavy vibration could activate the sensor(s) and deploy the air bag(s), possibly causing serious injury.
- When using air or electric power tools or hammers, always switch the Ignition OFF, disconnect the battery and wait at least three minutes before performing any service.

Precaution Necessary for Steering Wheel Rotation After Battery Disconnect

INFOID:000000009823758

NOTE:

- This Procedure is applied only to models with Intelligent Key system and NATS (NISSAN ANTI-THEFT SYSTEM).
- Remove and install all control units after disconnecting both battery cables with the ignition knob in the "LOCK" position.
- Always use CONSULT to perform self-diagnosis as a part of each function inspection after finishing work. If DTC is detected, perform trouble diagnosis according to self-diagnostic results.

For models equipped with the Intelligent Key system and NATS, an electrically controlled steering lock mechanism is adopted on the key cylinder.

For this reason, if the battery is disconnected or if the battery is discharged, the steering wheel will lock and steering wheel rotation will become impossible.

If steering wheel rotation is required when battery power is interrupted, follow the procedure below before starting the repair operation.

OPERATION PROCEDURE

1. Connect both battery cables.

NOTE:

Supply power using jumper cables if battery is discharged.

2. Use the Intelligent Key or mechanical key to turn the ignition switch to the "ACC" position. At this time, the steering lock will be released.
3. Disconnect both battery cables. The steering lock will remain released and the steering wheel can be rotated.
4. Perform the necessary repair operation.

PRECAUTIONS

< PRECAUTION >

- When the repair work is completed, return the ignition switch to the "LOCK" position before connecting the battery cables. (At this time, the steering lock mechanism will engage.)
- Perform a self-diagnosis check of all control units using CONSULT.

Precaution for Working with HFC-134a (R-134a)

INFOID:000000009823759

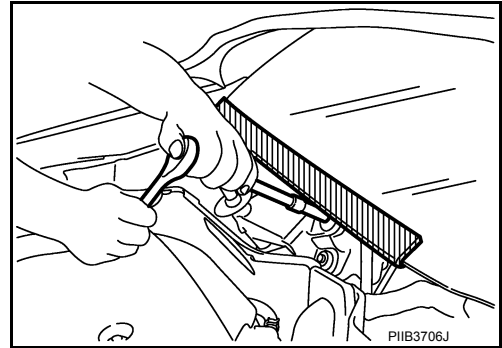
WARNING:

- CFC-12 (R-12) refrigerant and HFC-134a (R-134a) refrigerant are not compatible. If the refrigerants are mixed compressor failure is likely to occur. Refer to [HA-4, "Contaminated Refrigerant"](#). To determine the purity of HFC-134a (R-134a) in the vehicle and recovery tank, use recovery/recycling equipment and refrigerant identifier.
- Use only specified oil for the HFC-134a (R-134a) A/C system and HFC-134a (R-134a) components. If oil other than that specified is used, compressor failure is likely to occur.
- The specified HFC-134a (R-134a) oil rapidly absorbs moisture from the atmosphere. The following handling precautions must be observed:
 - When removing refrigerant components from a vehicle, immediately cap (seal) the component to minimize the entry of moisture from the atmosphere.
 - When installing refrigerant components to a vehicle, do not remove the caps (unseal) until just before connecting the components. Connect all refrigerant loop components as quickly as possible to minimize the entry of moisture into system.
 - Only use the specified oil from a sealed container. Immediately reseal containers of oil. Without proper sealing, oil will become moisture saturated and should not be used.
 - Avoid breathing A/C refrigerant and oil vapor or mist. Exposure may irritate eyes, nose and throat. Remove HFC-134a (R-134a) from the A/C system using certified service equipment meeting requirements of SAE J2210 [HFC-134a (R-134a) recycling equipment], or J2209 [HFC-134a (R-134a) recovery equipment]. If accidental system discharge occurs, ventilate work area before resuming service. Additional health and safety information may be obtained from refrigerant and oil manufacturers.
 - Do not allow A/C oil to come in contact with styrofoam parts. Damage may result.

Precaution for Procedure without Cowl Top Cover

INFOID:000000009823760

When performing the procedure after removing cowl top cover, cover the lower end of windshield with urethane, etc.



Contaminated Refrigerant

INFOID:000000009823761

If a refrigerant other than pure HFC-134a (R-134a) is identified in a vehicle, your options are:

- Explain to the customer that environmental regulations prohibit the release of contaminated refrigerant into the atmosphere.
- Explain that recovery of the contaminated refrigerant could damage your service equipment and refrigerant supply.
- Suggest the customer return the vehicle to the location of previous service where the contamination may have occurred.
- If you choose to perform the repair, recover the refrigerant using only **dedicated equipment and containers. Do not recover contaminated refrigerant into your existing service equipment.** If your facility does not have dedicated recovery equipment, you may contact a local refrigerant product retailer for available service. This refrigerant must be disposed of in accordance with all federal and local regulations. In addition, replacement of all refrigerant system components on the vehicle is recommended.
- If the vehicle is within the warranty period, the air conditioner warranty is void. Please contact NISSAN Customer Affairs for further assistance.

PRECAUTIONS

< PRECAUTION >

General Refrigerant Precaution

INFOID:000000009823762

WARNING:

- Do not release refrigerant into the air. Use approved recovery/recycling equipment to capture the refrigerant every time an air conditioning system is discharged.
- Always wear eye and hand protection (goggles and gloves) when working with any refrigerant or air conditioning system.
- Do not store or heat refrigerant containers above 52°C (125°F).
- Do not heat a refrigerant container with an open flame; if container warming is required, place the bottom of the container in a warm pail of water.
- Do not intentionally drop, puncture, or incinerate refrigerant containers.
- Keep refrigerant away from open flames: poisonous gas will be produced if refrigerant burns.
- Refrigerant will displace oxygen, therefore be certain to work in well ventilated areas to prevent suffocation.
- Do not pressure test or leak test HFC-134a (R-134a) service equipment and/or vehicle air conditioning systems with compressed air during repair. Some mixtures of air and HFC-134a (R-134a) have been shown to be combustible at elevated pressures. These mixtures, if ignited, may cause injury or property damage. Additional health and safety information may be obtained from refrigerant manufacturers.

Precaution for Leak Detection Dye

INFOID:000000009823763

- The A/C system contains a fluorescent leak detection dye used for locating refrigerant leaks. An ultraviolet (UV) lamp is required to illuminate the dye when inspecting for leaks.
- Always wear fluorescence enhancing UV safety goggles to protect your eyes and enhance the visibility of the fluorescent dye.
- The fluorescent dye leak detector is not a replacement for an electronic refrigerant leak detector. The fluorescent dye leak detector should be used in conjunction with an electronic refrigerant leak detector (J-41995).
- For your safety and the customer's satisfaction, read and follow all manufacturer's operating instructions and precautions prior to performing work.
- A compressor shaft seal should not be repaired because of dye seepage. The compressor shaft seal should only be repaired after confirming the leak with an electronic refrigerant leak detector (J-41995).
- Always remove any dye from the leak area after repairs are complete to avoid a misdiagnosis during a future service.
- Do not allow dye to come into contact with painted body panels or interior components. If dye is spilled, clean immediately with the approved dye cleaner. Fluorescent dye left on a surface for an extended period of time **cannot be removed**.
- Do not spray the fluorescent dye cleaning agent on hot surfaces (engine exhaust manifold, etc.).
- Do not use more than one refrigerant dye bottle (1/4 ounce / 7.4 cc) per A/C system.
- Leak detection dyes for HFC-134a (R-134a) and CFC-12 (R-12) A/C systems are different. Do not use HFC-134a (R-134a) leak detection dye in CFC-12 (R-12) A/C systems or CFC-12 (R-12) leak detection dye in HFC-134a (R-134a) A/C systems or A/C system damage may result.
- The fluorescent properties of the dye will remain for over three (3) years unless a compressor failure occurs.

A/C Identification Label

INFOID:000000009823764

Vehicles with factory installed fluorescent dye have this identification label on the underside of hood.

Precaution for Refrigerant Connection

INFOID:000000009823765

A new type refrigerant connection has been introduced to all refrigerant lines except the following locations.

- Expansion valve to cooling unit
- Evaporator pipes to evaporator (inside cooling unit)
- Refrigerant pressure sensor

FEATURES OF NEW TYPE REFRIGERANT CONNECTION

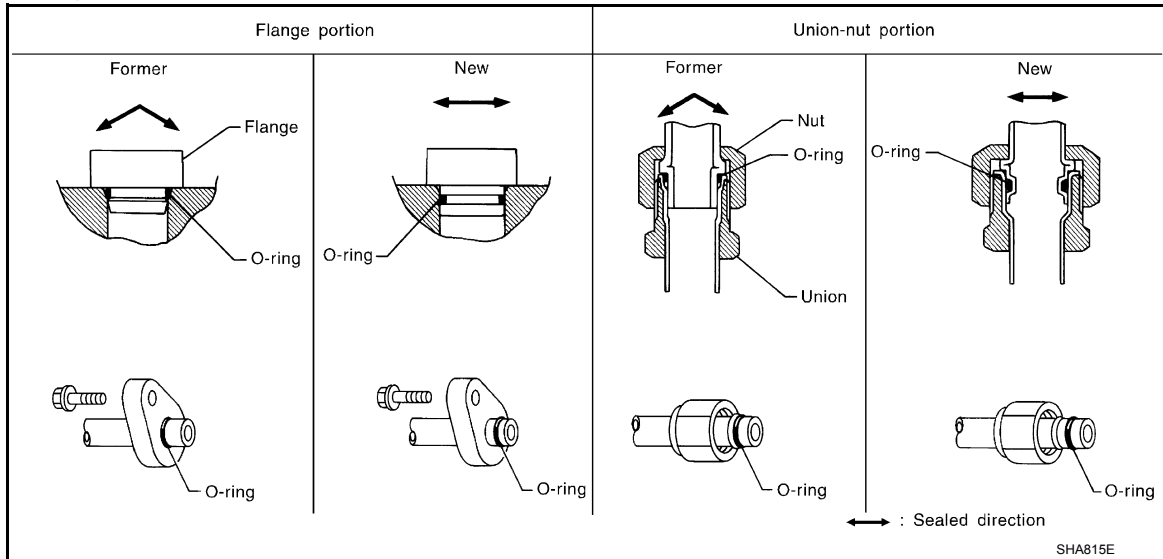
- The O-ring has been relocated. It has also been provided with a groove for proper installation. This reduces the possibility of the O-ring being caught in, or damaged by, the mating part. The sealing direction of the O-ring is now set vertically in relation to the contacting surface of the mating part to improve sealing characteristics.

A
B
C
D
E
F
G
H
HA
J
K
L
M
N
O
P

PRECAUTIONS

< PRECAUTION >

- The reaction force of the O-ring will not occur in the direction that causes the joint to pull out, thereby facilitating piping connections.



O-RING AND REFRIGERANT CONNECTION

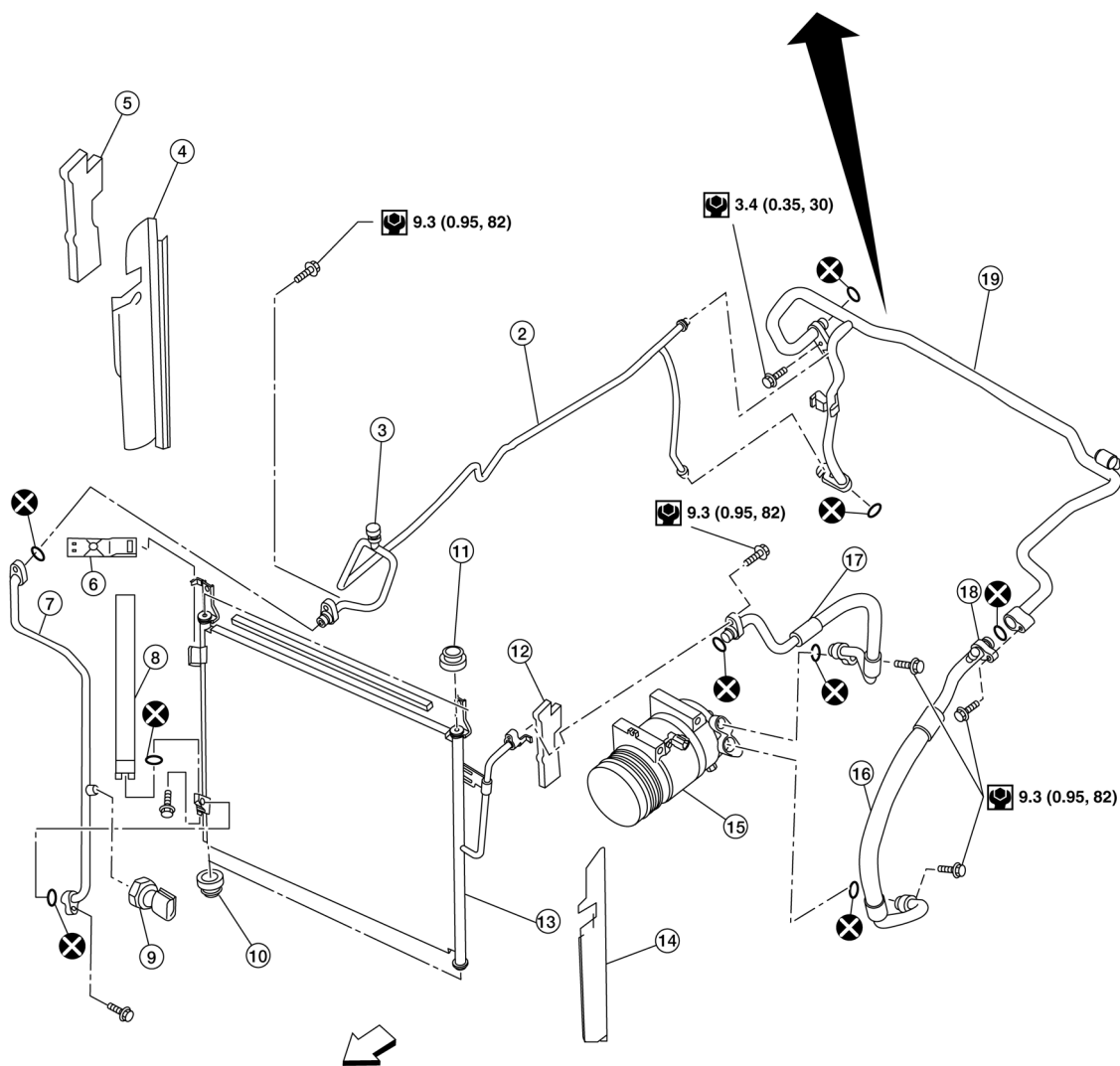
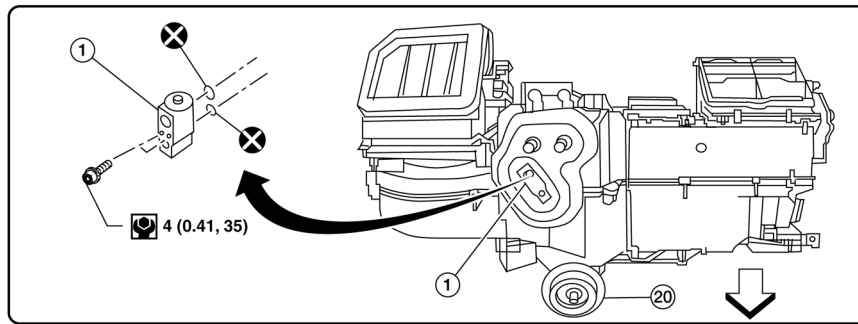
PRECAUTIONS

< PRECAUTION >

Front A/C System

SEC. 270 • 274 • 276

A
B
C
D
E
F
G
H
HA
J
K
L
M
N
O
P



AWIIA1606ZZ

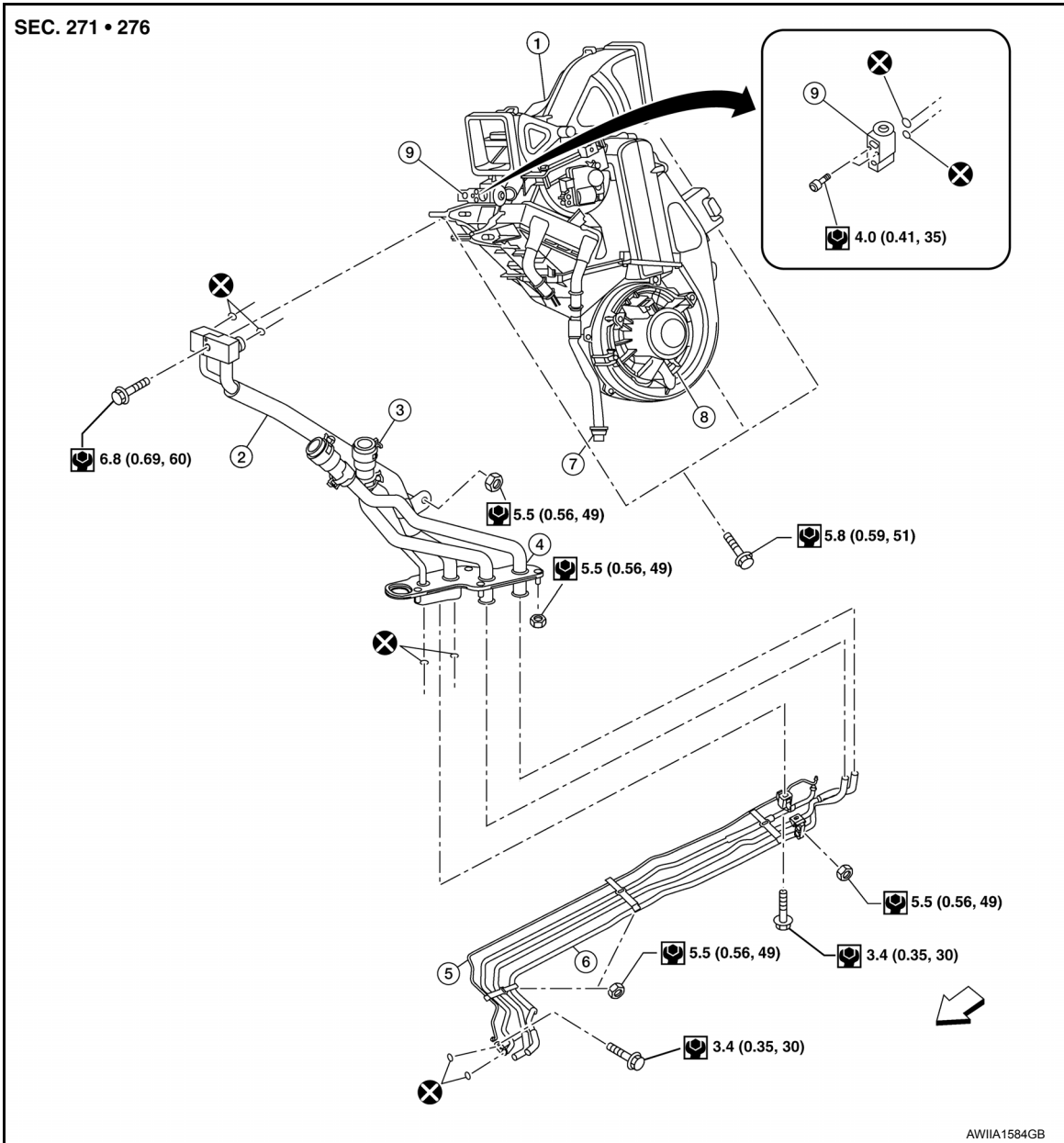
- | | | |
|--------------------------|-------------------------|--------------------------------|
| 1. Front expansion valve | 2. High-pressure pipe | 3. High-pressure service valve |
| 4. Condenser seal (RH) | 5. Side seal (RH) | 6. Liquid tank bracket |
| 7. Junction pipe | 8. Liquid tank | 9. Refrigerant pressure sensor |
| 10. Grommet | 11. Grommet | 12. Side seal (LH) |
| 13. Condenser assembly | 14. Condenser seal (LH) | 15. Compressor |

PRECAUTIONS

< PRECAUTION >

- | | | |
|--------------------------------|---------------------------------|--------------------------------|
| 16. Low-pressure flexible hose | 17. High-pressure flexible hose | 18. Low-pressure service valve |
| 19. Low-pressure pipe | 20. Drain hose | ← Front |

Rear A/C System



- | | | |
|--|-------------------------------|---------------------------------------|
| 1. Rear heater and cooling unit assembly | 2. Rear A/C pipes | 3. Rear heater core hose |
| 4. Rear heater core pipes | 5. Under floor rear A/C pipes | 6. Under floor rear heater core pipes |
| 7. Drain hose | 8. Rear blower motor | 9. Rear expansion valve |

← Front

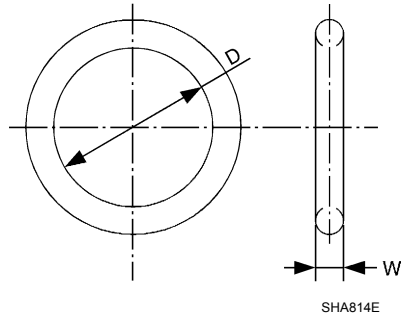
CAUTION:

The new and former refrigerant connections use different O-ring configurations. Do not confuse O-rings since they are not interchangeable. If a wrong O-ring is installed, refrigerant will leak at or around the connection.

O-Ring Specifications*

PRECAUTIONS

< PRECAUTION >



Connection type	O-ring size	D mm (in)	W mm (in)
New	8	6.8 (0.268)	1.85 (0.0728)
Former	10	9.25 (0.3642)	1.78 (0.0701)
New	12	10.9 (0.429)	2.43 (0.0957)
Former		11.0 (0.433)	2.4 (0.094)
New	16	13.6 (0.535)	2.43 (0.0957)
Former		14.3 (0.563)	2.3 (0.091)
New	19	16.5 (0.650)	2.43 (0.0957)
Former		17.12 (0.6740)	1.78 (0.0701)
New	24	21.8 (0.858)	2.4 (0.094)

*: Always check with the Parts Department for the latest parts information.

WARNING:

Make sure all refrigerant is discharged into the recycling equipment and the pressure in the system is less than atmospheric pressure. Then gradually loosen the discharge side hose fitting and remove it.

CAUTION:

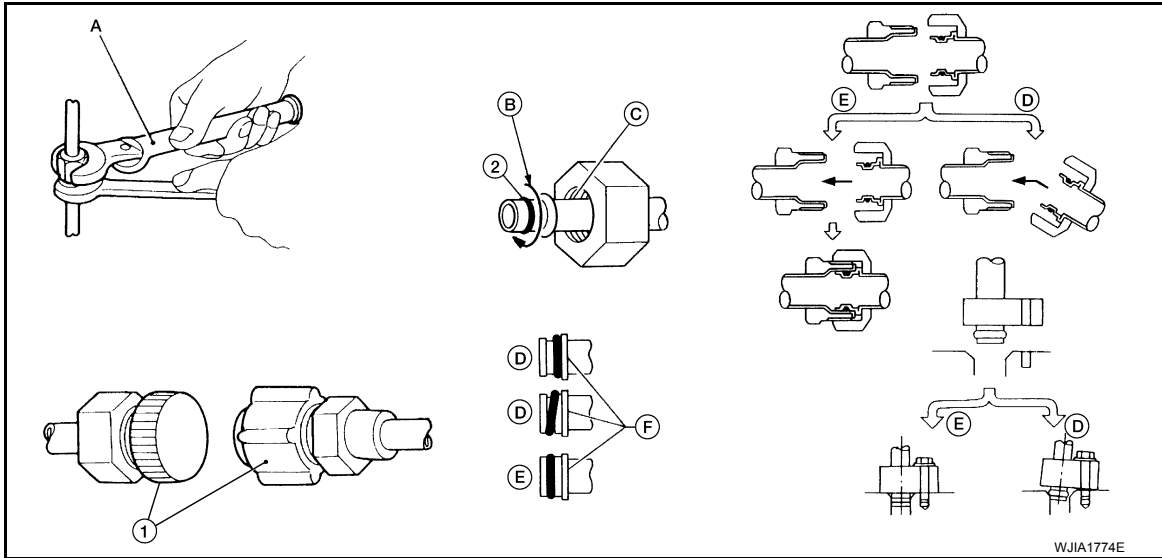
When replacing or cleaning refrigerant cycle components, observe the following.

- When the compressor is removed, store it in the same position as it is when mounted on the car. Failure to do so will cause oil to enter the low pressure chamber.
- When connecting tubes, always use a torque wrench and a back-up wrench.
- After disconnecting tubes, immediately plug all openings to prevent entry of dirt and moisture.
- When installing an air conditioner in the vehicle, connect the pipes as the final stage of the operation. Do not remove the seal caps of pipes and other components until just before required for connection.
- Allow components stored in cool areas to warm to working area temperature before removing seal caps. This prevents condensation from forming inside A/C components.
- Thoroughly remove moisture from the refrigeration system before charging the refrigerant.
- Always replace used O-rings.
- When connecting tube, apply oil to circle of the O-rings shown in illustration. Be careful not to apply oil to threaded portion.
Oil name: NISSAN A/C System Oil Type S or equivalent
- O-ring must be closely attached to dented portion of tube.
- When replacing the O-ring, be careful not to damage O-ring and tube.
- Connect tube until you hear it click, then tighten the nut or bolt by hand until snug. Make sure that the O-ring is installed to tube correctly.
- After connecting line, conduct leak test and make sure that there is no leakage from connections. When the gas leaking point is found, disconnect that line and replace the O-ring. Then tighten connections of seal seat to the specified torque.

A
B
C
D
E
F
G
H
HA
J
K
L
M
N
O
P

PRECAUTIONS

< PRECAUTION >



- | | | |
|--------------|--------------------------------|------------------|
| 1. Plug | 2. O-ring | A. Torque wrench |
| B. Apply oil | C. Do not apply oil to threads | D. NG (no good) |
| E. OK (okay) | F. Inflated portion | |

Precaution for Service of Compressor

INFOID:000000009823766

- Plug all openings to prevent moisture and foreign matter from entering.
- When the compressor is removed, store it in the same position as it is when mounted on the car.
- When replacing or repairing compressor, follow "Maintenance of Oil Quantity in Compressor" exactly. Refer to [HA-22, "Maintenance of Oil Quantity in Compressor"](#).
- Keep friction surfaces between clutch and pulley clean. If the surface is contaminated with oil, wipe it off by using a clean waste cloth moistened with thinner.
- After compressor service operation, turn the compressor shaft by hand more than 5 turns in both directions. This will equally distribute oil inside the compressor. After the compressor is installed, let the engine idle and operate the compressor for 1 hour.
- After replacing the compressor magnet clutch, apply voltage to the new one and check for normal operation. Refer to [HA-33, "Removal and Installation for Compressor Clutch"](#).

Precaution for Service Equipment

INFOID:000000009823767

RECOVERY/RECYCLING EQUIPMENT

Follow the manufacturer's instructions for machine operation and machine maintenance. Do not introduce any refrigerant other than that specified into the machine.

ELECTRONIC LEAK DETECTOR

Follow the manufacturer's instructions for tester operation and tester maintenance.

VACUUM PUMP

PRECAUTIONS

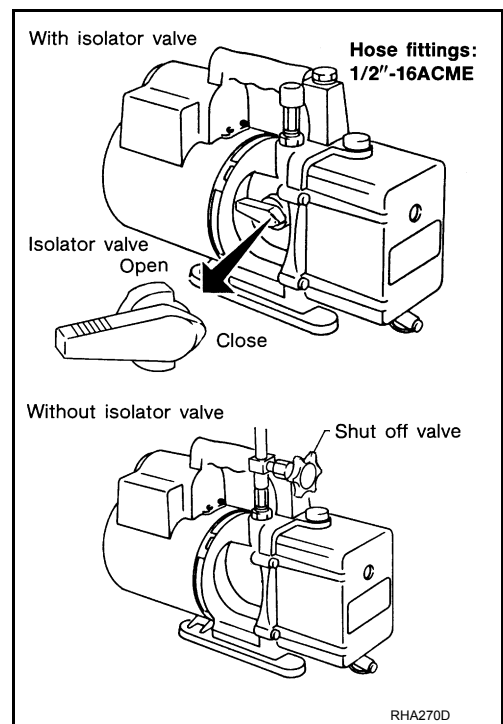
< PRECAUTION >

The oil contained inside the vacuum pump is not compatible with the specified oil for HFC-134a (R-134a) A/C systems. The vent side of the vacuum pump is exposed to atmospheric pressure so the vacuum pump oil may migrate out of the pump into the service hose. This is possible when the pump is switched off after evacuation (vacuuming) and hose is connected to it.

To prevent this migration, use a manual valve situated near the hose-to-pump connection, as follows.

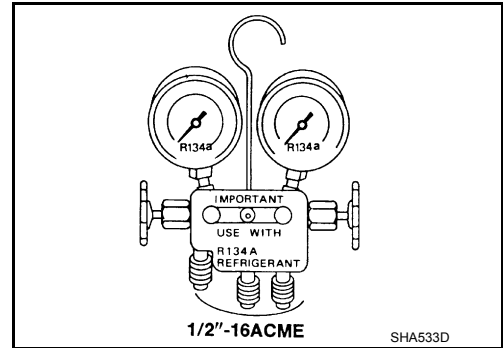
- Usually vacuum pumps have a manual isolator valve as part of the pump. Close this valve to isolate the service hose from the pump.
- For pumps without an isolator, use a hose equipped with a manual shut-off valve near the pump end. Close the valve to isolate the hose from the pump.
- If the hose has an automatic shut off valve, disconnect the hose from the pump: as long as the hose is connected, the valve is open and lubricating oil may migrate.

Some one-way valves open when vacuum is applied and close under a no vacuum condition. Such valves may restrict the pump's ability to pull a deep vacuum and are not recommended.



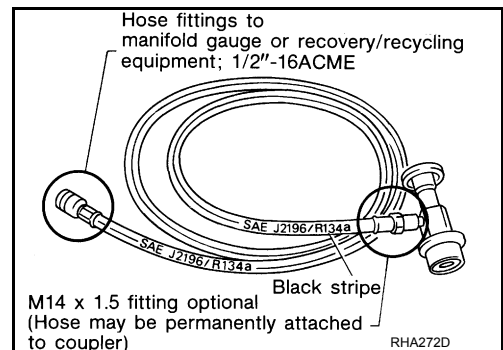
MANIFOLD GAUGE SET

Be certain that the gauge face indicates HFC-134a (R-134a or 134a). Make sure the gauge set has 1/2"-16 ACME threaded connections for service hoses. Confirm the set has been used only with refrigerant HFC-134a (R-134a) along with specified oil.



SERVICE HOSES

Be certain that the service hoses display the markings described (colored hose with black stripe). All hoses must include positive shut-off devices (either manual or automatic) near the end of the hoses opposite the manifold gauge.



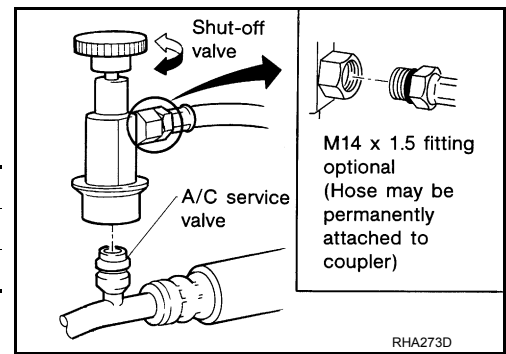
SERVICE COUPLERS

PRECAUTIONS

< PRECAUTION >

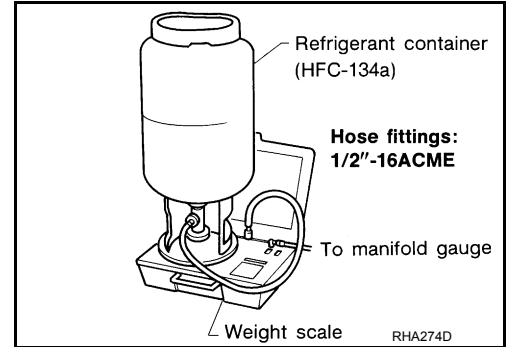
Do not attempt to connect HFC-134a (R-134a) service couplers to a CFC-12 (R-12) A/C system. The HFC-134a (R-134a) couplers will not properly connect to the CFC-12 (R-12) system. If an improper connection is attempted, discharging and contamination may occur.

Shut-off valve rotation	A/C service valve
Clockwise	Open
Counterclockwise	Close



REFRIGERANT WEIGHT SCALE

Verify that no refrigerant other than HFC134a (R-134a) and specified oils have been used with the scale. If the scale controls refrigerant flow electronically, the hose fitting must be 1/2"-16 ACME.



CHARGING CYLINDER

Using a charging cylinder is not recommended. Refrigerant may be vented into air from cylinder's top valve when filling the cylinder with refrigerant. Also, the accuracy of the cylinder is generally less than that of an electronic scale or of quality recycle/recharge equipment.

PREPARATION

< PREPARATION >


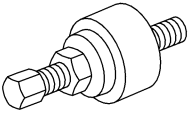
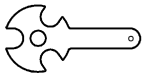
PREPARATION

PREPARATION

Special Service Tool

INFOID:000000009823768

The actual shapes of Kent-Moore tools may differ from those of special service tools illustrated here.

Tool number (Kent-Moore No.) Tool name	Description
— (J-41425-NIS) Aluminum tube repair kit	Repairing leaks in A/C tubes
 ALIA0390ZZ	
— (J-38873-A) Pulley installer	Installing pulley
 LHA171	
— (J-44614) Clutch disc holding tool	Clutch disc holding tool
 WHA230	

HFC-134a (R-134a) Service Tool and Equipment

INFOID:000000009823769

Do not mix HFC-134a (R-134a) refrigerant and/or the specified oil with CFC-12 (R-12) refrigerant and/or the oil.

Separate and non-interchangeable service equipment must be used for handling each type of refrigerant/oil. Refrigerant container fittings, service hose fittings and service equipment fittings (equipment which handles refrigerant and/or oil) are different between CFC-12 (R-12) and HFC-134a (R-134a). This is to avoid mixed use of the refrigerants/oil.

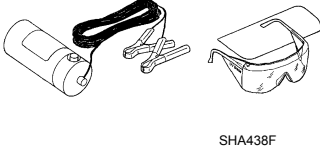
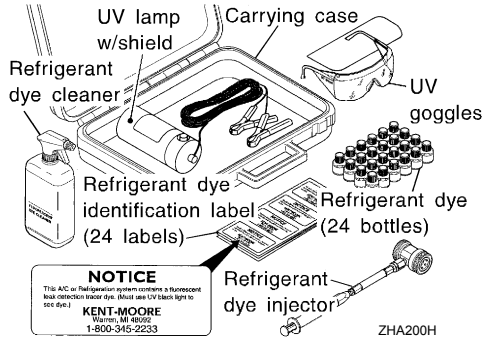
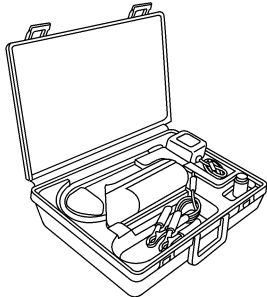
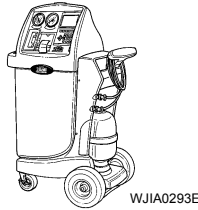
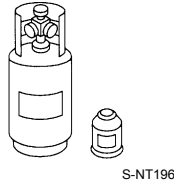
Adapters that convert one size fitting to another must never be used refrigerant/oil contamination will occur and compressor failure will result.

A
B
C
D
E
F
G
H
HA
J
K
L
M
N
O
P

PREPARATION

< PREPARATION >

Tool number (Kent-Moore No.) Tool name	Description
HFC-134a (R-134a) (—) Refrigerant	Container color: Light blue Container marking: HFC-134a (R-134a) Fitting size: Thread size • large container 1/2"-16 ACME
— (—) NISSAN A/C System Oil Type S	Type: Poly alkylene glycol oil (PAG), type S Application: HFC-134a (R-134a) swash plate compressors (NISSAN only) Lubricity: 40 m ℓ (1.4 US fl oz, 1.4 Imp fl oz)
— (J-48710) NISSAN ACR2009 RRR Unit	Refrigerant recovery, recycling and re-charging
— (J-41995) Electronic refrigerant leak detector	Power supply: • DC 12V (battery terminal)
— (J-43926) Refrigerant dye leak detection kit Kit includes: (J-42220) UV lamp and UV safety goggles (J-41459) Refrigerant dye injector (J-41447) qty. 24 HFC-134a (R-134a) refrigerant dye (J-43872) Refrigerant dye cleaner	Power supply: • DC 12V (battery terminal)
— (J-42220) Fluorescent dye leak detector	Power supply: • DC 12V (battery terminal) For checking refrigerant leak when fluorescent dye is installed in A/C system. Includes: UV lamp and UV safety goggles



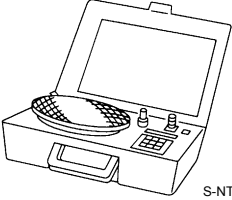
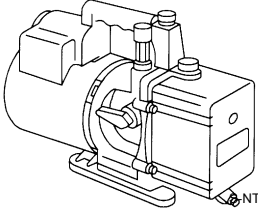
PREPARATION

< PREPARATION >

Tool number (Kent-Moore No.) Tool name	Description	
<p>— (J-41447) HFC-134a (R-134a) Fluorescent leak detection dye (Box of 24, 1/4 ounce bottles)</p>	<p>Application: For HFC-134a (R-134a) PAG oil Container: 1/4 ounce (7.4cc) bottle (Includes self-adhesive dye identification labels for affixing to vehicle after charging system with dye.)</p>	A B C
<p>— (J-41459) HFC-134a (R-134a) Dye injector Use with J-41447, 1/4 ounce bottle</p>	<p>For injecting 1/4 ounce of fluorescent leak detection dye into A/C system.</p>	D E F
<p>— (J-43872) Refrigerant dye cleaner</p>	<p>For cleaning dye spills.</p>	G H
<p>— (J-39183-C) Manifold gauge set (with hoses and couplers)</p>	<p>Identification:</p> <ul style="list-style-type: none"> • The gauge face indicates R-134a. • Fitting size-Thread size • 1/2"-16 ACME 	HA J K L
<p>Service hoses:</p> <ul style="list-style-type: none"> • High side hose (J-39500-72B) • Low side hose (J-39500-72R) • Utility hose (J-39500-72Y) 	<p>Hose color:</p> <ul style="list-style-type: none"> • Low side hose: Blue with black stripe • High side hose: Red with black stripe • Utility hose: Yellow with black stripe or green with black stripe <p>Hose fitting to gauge:</p> <ul style="list-style-type: none"> • 1/2"-16 ACME 	M N
<p>Service couplers</p> <ul style="list-style-type: none"> • High side coupler (J-39500-20A) • Low side coupler (J-39500-24A) 	<p>Hose fitting to service hose:</p> <ul style="list-style-type: none"> • M14 x 1.5 fitting is optional or permanently attached. 	O P

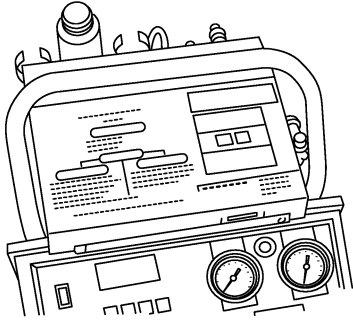

PREPARATION

< PREPARATION >

Tool number (Kent-Moore No.) Tool name	Description
— (J-39699) Refrigerant weight scale	For measuring of refrigerant Fitting size-Thread size • 1/2"-16 ACME
 <p style="text-align: right; margin-right: 50px;">S-NT200</p>	
— (J-39649) Vacuum pump (Including the isolator valve)	Capacity: • Air displacement: 4 CFM • Micron rating: 20 microns • Oil capacity: 482 g (17 oz) Fitting size-Thread size • 1/2"-16 ACME
 <p style="text-align: right; margin-right: 50px;">NT203</p>	

Commercial Service Tool

INFOID:000000009823770

(Kent-Moore No.) Tool name	Description
(J-41810-NI) Refrigerant identifier equipment (R-134a)	For checking refrigerant purity and system contamination
 <p style="text-align: right; margin-right: 50px;">RJIA0197E</p>	
(—) Power tool	Loosening bolts, screws and nuts
 <p style="text-align: right; margin-right: 50px;">PIIB1407E</p>	

REFRIGERATION SYSTEM

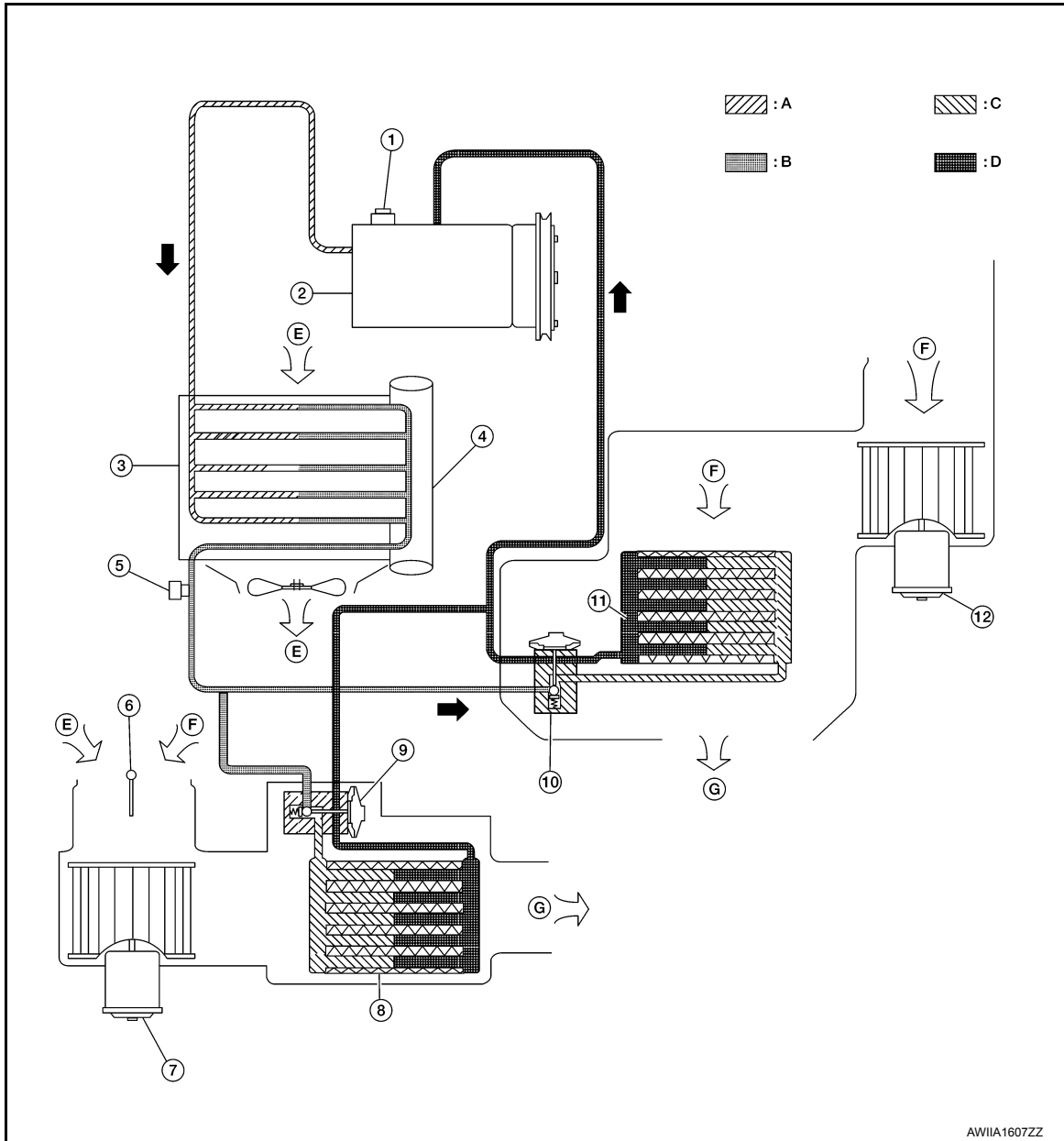
< SYSTEM DESCRIPTION >

SYSTEM DESCRIPTION

REFRIGERATION SYSTEM

Refrigerant Cycle

INFOID:000000009823771



- | | | |
|--------------------------|--------------------------------|--------------------------|
| 1. Pressure relief valve | 2. Compressor | 3. Condenser assembly |
| 4. Liquid tank | 5. Refrigerant pressure sensor | 6. Air mix door |
| 7. Front blower motor | 8. Front evaporator | 9. Front expansion valve |
| 10. Rear expansion valve | 11. Rear evaporator | 12. Rear blower motor |
| A. High-pressure gas | B. High-pressure liquid | C. Low-pressure liquid |
| D. Low-pressure gas | E. Outside air | F. Recirculation air |
| G. Ventilation discharge | | |

REFRIGERANT FLOW

The refrigerant flows in the standard pattern, that is, through the compressor, the condenser with liquid tank, through the front and rear evaporators, and back to the compressor. The refrigerant evaporation through the

REFRIGERATION SYSTEM

< SYSTEM DESCRIPTION >

evaporator coils are controlled by front and rear externally equalized expansion valves, located inside the front and rear evaporator cases.

Refrigerant System Protection

INFOID:000000009823772

REFRIGERANT PRESSURE SENSOR

The refrigerant system is protected against excessively high or low pressures by the refrigerant pressure sensor, located on the condenser. If the system pressure rises above or falls below the specifications, the refrigerant pressure sensor detects the pressure inside the refrigerant line and sends a voltage signal to the ECM. The ECM de-energizes the A/C relay to disengage the magnetic compressor clutch when pressure on the high pressure side detected by refrigerant pressure sensor is over about 2,746 kPa (28 kg/cm², 398 psi), or below about 120 kPa (1.22 kg/cm², 17.4 psi).

PRESSURE RELIEF VALVE

The refrigerant system is also protected by a pressure relief valve, located in the rear head of the compressor. When the pressure of refrigerant in the system increases to an abnormal level [more than 2,990 kPa (30.5 kg/cm², 433.6 psi)], the release port on the pressure relief valve automatically opens and releases refrigerant into the atmosphere.

OIL

< SYSTEM DESCRIPTION >

OIL

Maintenance of Oil in Compressor

INFOID:000000009823773

The oil in the compressor circulates through the system with the refrigerant. Add oil to compressor when replacing any component or after a large refrigerant leakage has occurred. It is important to maintain the specified amount.

If oil quantity is not maintained properly, the following malfunctions may result:

- Lack of oil: May lead to a seized compressor
- Excessive oil: Inadequate cooling (thermal exchange interference)

A

B

C

D

E

F

G

H

HA

J

K

L

M

N

O

P

REFRIGERATION SYSTEM

< PERIODIC MAINTENANCE >

PERIODIC MAINTENANCE

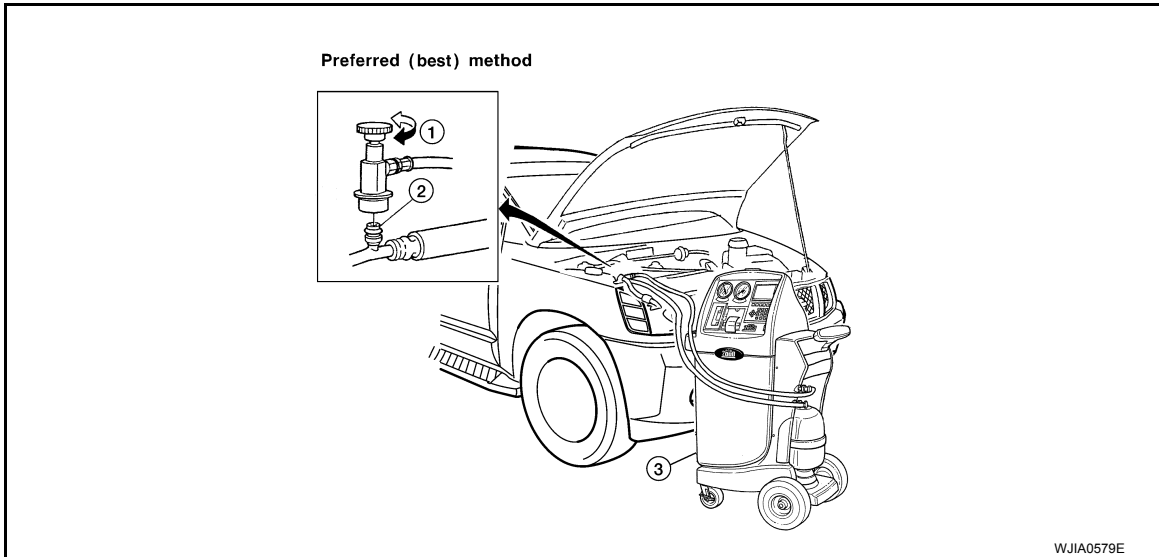
REFRIGERATION SYSTEM

HFC-134a (R-134a) Service Procedure

INFOID:000000009823774

SETTING OF SERVICE TOOLS AND EQUIPMENT

Discharging Refrigerant



1. Shut-off valve

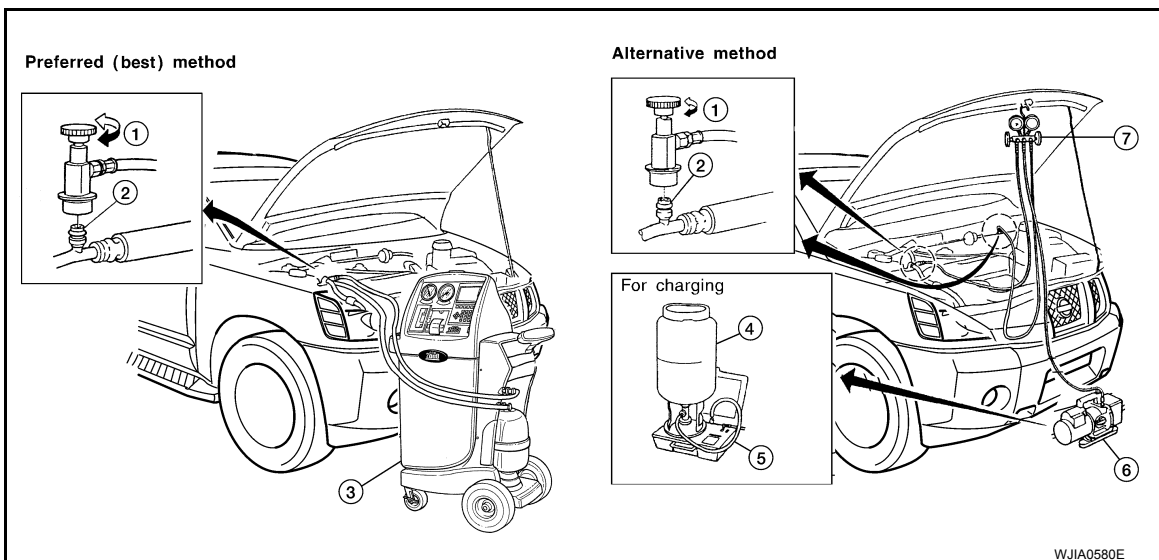
2. A/C service valve

3. Recovery/recycling equipment

WARNING:

Avoid breathing A/C refrigerant and oil vapor or mist. Exposure may irritate eyes, nose and throat. Remove HFC-134a (R-134a) refrigerant from the A/C system using certified service equipment meeting requirements of SAE J2210 HFC-134a (R-134a) recycling equipment or SAE J2201 HFC-134a (R-134a) recovery equipment. If an accidental system discharge occurs, ventilate the work area before resuming service. Additional health and safety information may be obtained from the refrigerant and oil manufacturers.

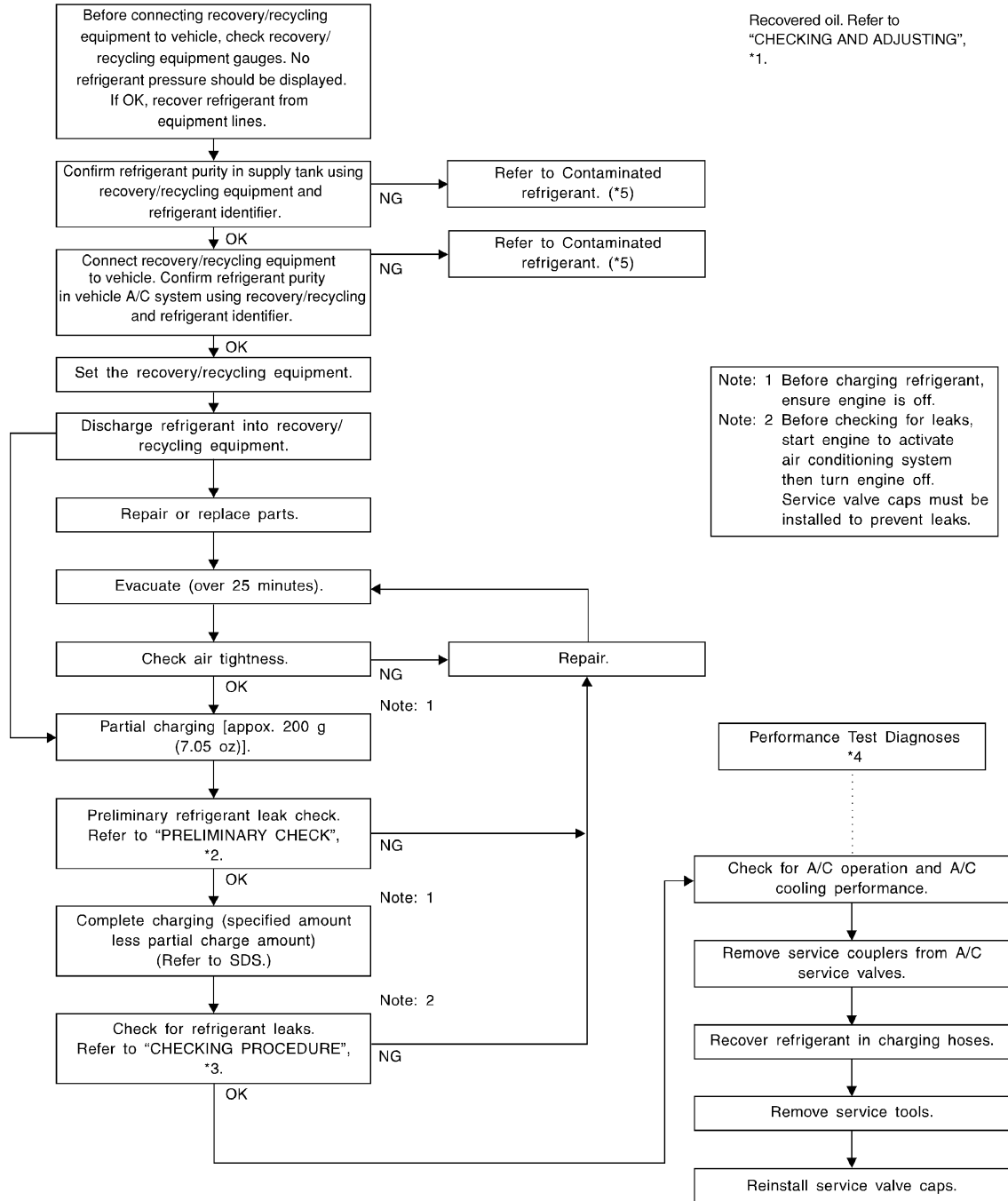
Evacuating System and Charging Refrigerant



REFRIGERATION SYSTEM

< PERIODIC MAINTENANCE >

- | | | |
|-------------------------------------|---------------------------|-------------------------------------|
| 1. Shut-off valve | 2. A/C service valve | 3. Recovery/recycling equipment |
| 4. Refrigerant container (HFC-134a) | 5. Weight scale (J-39650) | 6. Evacuating vacuum pump (J-39699) |
| 7. Manifold gauge set (J-39183) | | |



*1 [HA-22. "Maintenance of Oil Quantity in Compressor"](#)

*2 [HA-24. "Checking of Refrigerant Leaks"](#)

*3 [HA-24. "Checking of Refrigerant Leaks"](#)

*4 [HAC-20. "CONSULT Function \(HVAC\)"](#)

*5 [HA-4. "Contaminated Refrigerant"](#)

WJIA1923E

OIL

< PERIODIC MAINTENANCE >

OIL

Maintenance of Oil Quantity in Compressor

INFOID:000000009823775

The oil in the compressor circulates through the system with the refrigerant. Add oil to compressor when replacing any component or after a large refrigerant leakage has occurred. It is important to maintain the specified amount.

If oil quantity is not maintained properly, the following malfunctions may result:

- Lack of oil: May lead to a seized compressor
- Excessive oil: Inadequate cooling (thermal exchange interference)

OIL

Name: NISSAN A/C System Oil Type S or equivalent


CHECKING AND ADJUSTING

CAUTION:

- **If excessive oil leakage is noted, do not perform the oil return operation.**

Start the engine and set the following conditions:

Test Condition

- **Engine speed: Idling to 1,200 rpm**
- **A/C switch: On**
- **Blower fan speed: MAX position**
- **Temp. control: Optional [Set so that intake air temperature is 25° to 30° C (77° to 86°F)]**
- **Intake position: Recirculation ()**
- **Perform oil return operation for about ten minutes**

Adjust the oil quantity according to the following table.

Oil Adjusting Procedure for Components Replacement Except Compressor

After replacing any of the following major components, add the correct amount of oil to the system.

Amount of Oil to be Added

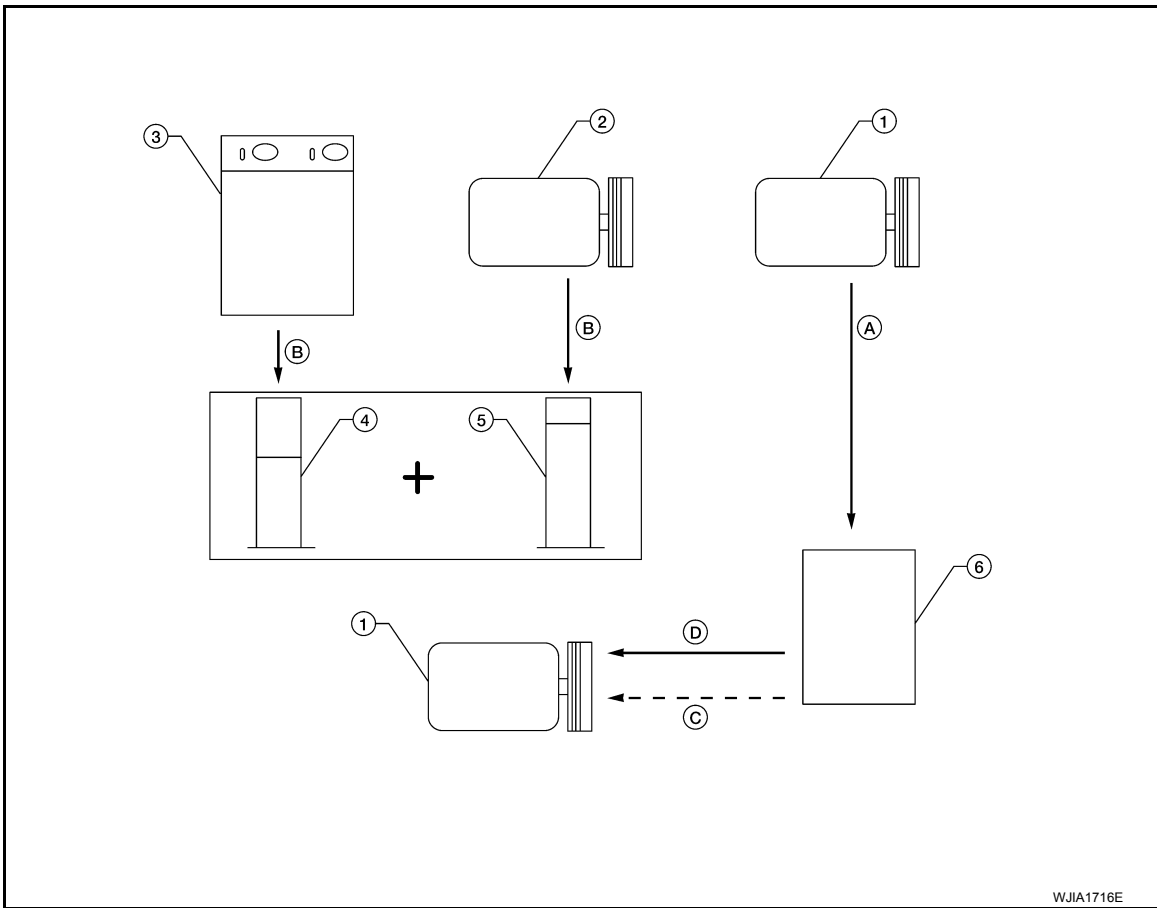
Part replaced	Oil to be added to system	Remarks
	Amount of oil mℓ (US fl oz, Imp fl oz)	
Front evaporator	75 (2.5, 2.6)	—
Rear evaporator	75 (2.5, 2.6)	—
Condenser	75 (2.5, 2.6)	—
Liquid tank	5 (0.2, 0.2)	Add if compressor is not replaced.
In case of refrigerant leak	30 (1.0, 1.1)	Large leak
	—	Small leak *1

- *1: If refrigerant leak is small, no addition of oil is needed.

Oil Adjustment Procedure for Compressor Replacement

OIL

< PERIODIC MAINTENANCE >



- | | | |
|---|-----------------------------------|--|
| 1. New compressor | 2. Old compressor | 3. Recovery/recycling equipment |
| 4. Measuring cup X | 5. Measuring cup Y | 6. New oil |
| A. Drain oil from the new compressor into clean container | B. Record amount of oil recovered | C. Add an additional 5 m ℓ (0.2 US fl oz, 0.2 Imp fl oz) of new oil when replacing liquid tank |
| D. Install new oil equal to recorded amounts in measuring cups X plus Y | | |

- Before connecting recovery/recycling equipment to vehicle, check recovery/recycling equipment gauges. No refrigerant pressure should be displayed. If NG, recover refrigerant from equipment lines.
- Connect recovery/recycling equipment to vehicle. Confirm refrigerant purity in supply tank using recovery/recycling equipment and refrigerant identifier. If NG, refer to [HA-4, "Contaminated Refrigerant"](#).
- Confirm refrigerant purity in vehicle A/C system using recovery/recycling equipment and refrigerant identifier. If NG, refer to [HA-4, "Contaminated Refrigerant"](#).
- Discharge refrigerant into the refrigerant recovery/recycling equipment. Measure oil discharged into the recovery/recycling equipment.
- Drain the oil from the "old" (removed) compressor into a graduated container and recover the amount of oil drained.
- Drain the oil from the "new" compressor into a separate, clean container.
- Measure an amount of new oil installed equal to amount drained from "old" compressor. Add this oil to "new" compressor through the suction port opening.
- Measure an amount of new oil equal to the amount recovered during discharging. Add this oil to "new" compressor through the suction port opening.
- If the liquid tank also needs to be replaced, add an additional 5 m ℓ (0.2 US fl oz, 0.2 Imp fl oz) of oil at this time.

CAUTION:

- Do not add this 5 m ℓ (0.2 US fl oz, 0.2 Imp fl oz) of oil if only replacing the compressor.

FLUORESCENT LEAK DETECTOR

< PERIODIC MAINTENANCE >

FLUORESCENT LEAK DETECTOR

Checking of Refrigerant Leaks

INFOID:000000009823776

PRELIMINARY CHECK

Perform a visual inspection of all refrigeration parts, fittings, hoses and components for signs of A/C oil leakage, damage, and corrosion. Any A/C oil leakage may indicate an area of refrigerant leakage. Allow extra inspection time in these areas when using either an electronic refrigerant leak detector (J-41995) or fluorescent dye leak detector (J-42220).

If any dye is observed using a fluorescent dye leak detector (J-42220), confirm the leak using a electronic refrigerant leak detector (J-41995). It is possible that the dye is from a prior leak that was repaired and not properly cleaned.

When searching for leaks, do not stop when one leak is found but continue to check for additional leaks at all system components and connections.

When searching for refrigerant leaks using an electronic refrigerant leak detector (J-41995), move the probe along the suspected leak area at 25 - 50 mm (1 - 2 in) per second and no further than 6 mm (1/4 in) from the component.

CAUTION:

Moving the electronic refrigerant leak detector probe slower and closer to the suspected leak area will improve the chances of finding a leak.

Checking System for Leaks Using the Fluorescent Dye Leak Detector

INFOID:000000009823777

1. Check the A/C system for leaks using the fluorescent dye leak detector and safety goggles (J-42220) in a low sunlight area (area without windows preferable). Illuminate all components, fittings and lines. The dye will appear as a bright green/yellow area at the point of leakage. Fluorescent dye observed at the evaporator drain opening indicates an evaporator core assembly leak (tubes, core or expansion valve).
2. If the suspected area is difficult to see, use an adjustable mirror or wipe the area with a clean shop rag or cloth, then inspect the shop rag or cloth with the fluorescent dye leak detector (J-42220) for dye residue.
3. After the leak is repaired, remove any residual dye using refrigerant dye cleaner (J-43872) to prevent future misdiagnosis.
4. Perform a system performance check and then verify the leak repair using a electronic refrigerant leak detector (J-41995).

NOTE:

- Other gases in the work area or substances on the A/C components, for example, anti-freeze, windshield washer fluid, solvents and oils, may falsely trigger the leak detector. Make sure the surfaces to be checked are clean.
- Clean with a dry cloth or blow off with shop air.
- Do not allow the sensor tip of the electronic refrigerant leak detector (J-41995) to contact with any substance. This can also cause false readings and may damage the detector.

Dye Injection

INFOID:000000009823778

NOTE:

This procedure is only necessary when recharging the system or when the compressor has seized and must be replaced.

1. Check the A/C system static (at rest) pressure. Pressure must be at least 345 kPa (3.52 kg/cm², 50 psi).
2. Pour one bottle 7.4 cc (1/4 ounce) of the HFC-134a (R-134a) fluorescent leak detection dye (J-41447) into the HFC-134a (R-134a) dye injector (J-41459).

CAUTION:

If repairing the A/C system or replacing a component, pour the HFC-134a (R-134a) fluorescent leak detection dye (J-41447) directly into the open system connection and proceed with the service procedures.

3. Connect the refrigerant dye injector (J-41459) to the low-pressure service valve.
4. Start the engine and switch the A/C system ON.
5. When the A/C system is operating (compressor running), inject one bottle 7.4 cc (1/4 ounce) of HFC-134a (R-134a) fluorescent leak detection dye (J-41447) through the low-pressure service valve using HFC-134a (R-134a) dye injector (J-41459). Refer to the manufacturer's operating instructions.

FLUORESCENT LEAK DETECTOR

< PERIODIC MAINTENANCE >

6. With the engine still running, disconnect the HFC-134a (R-134a) dye injector (J-41459) from the low-pressure service valve.
7. Operate the A/C system for a minimum of 20 minutes to mix the HFC-134a (R-134a) fluorescent leak detection dye (J-41447) with the A/C system oil. Depending on the leak size, operating conditions and location of the leak, it may take from minutes to days for the HFC-134a (R-134a) fluorescent leak detection dye to penetrate an A/C system leak and become visible.

A

B

C

D

E

F

G

H

HA

J

K

L

M

N

O

P

ELECTRICAL LEAK DETECTOR

< PERIODIC MAINTENANCE >

ELECTRICAL LEAK DETECTOR

Checking of Refrigerant Leaks

INFOID:000000009823779

PRELIMINARY CHECK

Perform a visual inspection of all refrigeration parts, fittings, hoses and components for signs of A/C oil leakage, damage, and corrosion. Any A/C oil leakage may indicate an area of refrigerant leakage. Allow extra inspection time in these areas when using either an electronic refrigerant leak detector (J-41995) or fluorescent dye leak detector (J-42220).

If any dye is observed using a fluorescent dye leak detector (J-42220), confirm the leak using a electronic refrigerant leak detector (J-41995). It is possible that the dye is from a prior leak that was repaired and not properly cleaned.

When searching for leaks, do not stop when one leak is found but continue to check for additional leaks at all system components and connections.

When searching for refrigerant leaks using an electronic refrigerant leak detector (J-41995), move the probe along the suspected leak area at 25 - 50 mm (1 - 2 in) per second and no further than 6 mm (1/4 in) from the component.

CAUTION:

Moving the electronic refrigerant leak detector probe slower and closer to the suspected leak area will improve the chances of finding a leak.

Electronic Refrigerant Leak Detector

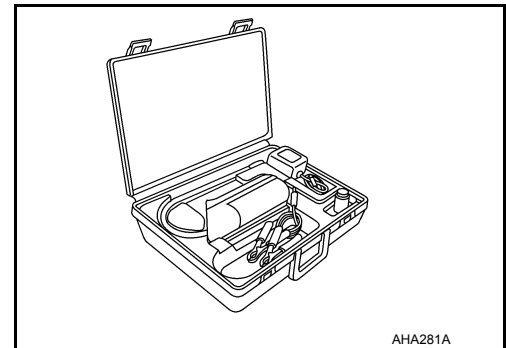
INFOID:000000009823780

PRECAUTIONS FOR HANDLING LEAK DETECTOR

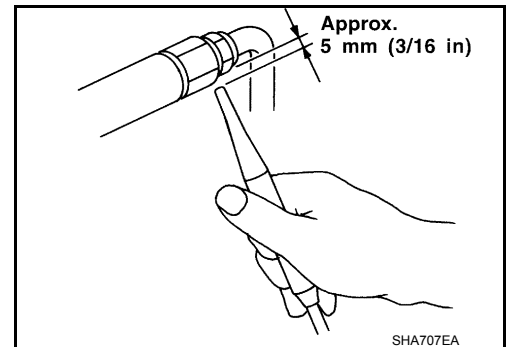
NOTE:

When performing a refrigerant leak check, use a electronic refrigerant leak detector (J-41995) or equivalent. Ensure that the electronic refrigerant leak detector (J-41995) is calibrated and set properly according to the manufacturer's operating instructions.

The electronic refrigerant leak detector (J-41995) is a delicate device. To use the electronic refrigerant leak detector (J-41995) properly, read the manufacturer's operating instructions and perform any specified maintenance.



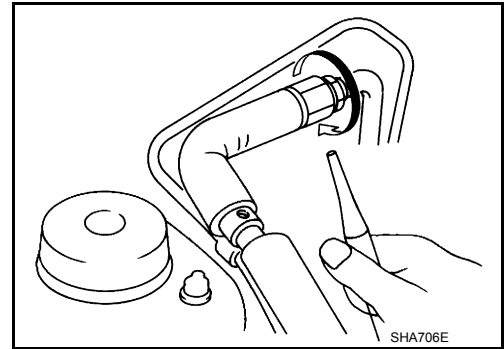
1. Position the probe approximately 5 mm (3/16 in) away from the point to be checked as shown.



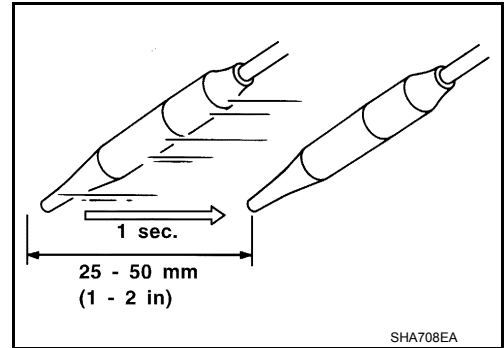
ELECTRICAL LEAK DETECTOR

< PERIODIC MAINTENANCE >

- When checking for leaks, circle each fitting completely with the probe as shown.



- Move the probe along each component at a speed of approximately 25 - 50 mm (1 - 2 in)/second as shown.



CHECKING PROCEDURE

NOTE:

To prevent inaccurate or false readings, make sure there is no refrigerant vapor, shop chemicals, or cigarette smoke in the vicinity of the vehicle. Perform the leak test in a calm area (low air/wind movement) so that the leaking refrigerant is not dispersed.

- Turn the engine OFF.
- Connect the manifold gauge set (J-39183-C) to the A/C service ports. Refer to [HA-20. "HFC-134a \(R-134a\) Service Procedure"](#).
- Check if the A/C refrigerant pressure is at least 345 kPa (3.52 kg/cm², 50 psi) above a temperature of 16°C (61°F). If less than specification, recover/evacuate and recharge the system with the specified amount of refrigerant. Refer to [HA-20. "HFC-134a \(R-134a\) Service Procedure"](#).

NOTE:

At temperatures below 16°C (61°F), leaks may not be detected since the system may not reach 345 kPa (3.52 kg/cm², 50 psi) pressure.

- Perform the leak test from the high-pressure side (front A/C compressor discharge "a" to evaporator inlet "f" or rear piping connection "l") to the low-pressure side (front A/C evaporator drain hose "g" to shaft seal "k" and rear A/C evaporator drain hose "o" to piping connection "r"). Refer to [HA-29. "Component"](#). Clean the component to be checked and carefully move the electronic refrigerant leak detector probe completely around the following connections and components.

- Check the compressor shaft seal
- Check the high and low-pressure pipe and hose fittings, relief valve, and compressor shaft seal
- Check the liquid tank
- Check the refrigerant pressure sensor
- Check all around the service valves. Check that the service valve caps are screwed tightly on the service valves (to prevent leaks).

NOTE:

After removing manifold gauge set (J-39183-C) from the service valves, wipe any residue from the service valves to prevent any false readings by the electronic refrigerant leak detector (J-41995).

- Evaporator

With engine OFF, turn blower fan on "High" for at least 15 seconds to dissipate any refrigerant trace in the heater and cooling unit assembly. Wait a minimum of 10 minutes accumulation time (refer to the manufacturer's recommended procedure for actual wait time) before inserting the electronic refrigerant leak detector probe into the heater and cooling unit assembly drain hose.

NOTE:

ELECTRICAL LEAK DETECTOR

< PERIODIC MAINTENANCE >

Keep the probe inserted for at least 10 seconds. Use caution not to contaminate the probe tip with water or dirt that may be in the drain hose.

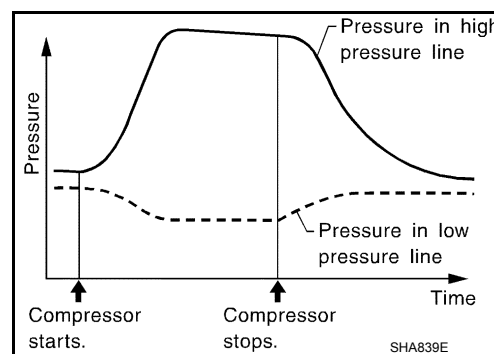
5. If a leak is detected, verify at least once by blowing compressed air into the area of the suspected leak, then repeat the leak check.
6. Do not stop when one leak is found. Continue to check for additional leaks at all system components and connections.
7. If no leaks are found, perform steps 8 - 11.
8. Start the engine.
9. Set the heater A/C controls as follows:

NOTE:

For the automatic system, turn OFF the automatic controls and set the heater A/C controls manually.

- a. A/C switch to ON
 - b. Air flow to VENT mode
 - c. Intake position to RECIRCULATION mode
 - d. Temperature to MAX cold
 - e. Blower fan speed to HIGH
10. Run the engine at 1,500 rpm for at least 2 minutes.
 11. Turn the engine OFF and perform the leak check again following steps 4 through 6 above.

Refrigerant leaks should be checked immediately after turning the engine OFF. Begin with the leak detector at the compressor. The pressure on the high pressure side will gradually drop after the refrigerant circulation stops and pressure on the low pressure side will gradually rise, as shown in the graph. Some leaks are more easily detected when the pressure is high.



12. Before connecting the recovery/recycling equipment to the vehicle, check the recovery/recycling equipment gauges. No refrigerant pressure should be displayed. If pressure is displayed, recover the refrigerant from the equipment lines and then check the refrigerant purity.
13. Confirm refrigerant purity in supply tank using recovery/recycling equipment and refrigerant identifier equipment (J-41810-NI).
14. Confirm the refrigerant purity in the vehicle's A/C system using recovery/recycling equipment and refrigerant identifier equipment (J-41810-NI).
15. Discharge the A/C system using recovery/recycling equipment. Repair the leaking fitting or component as necessary.
16. Evacuate and recharge the A/C system and perform the leak test to confirm that there are no refrigerant leaks.
17. Conduct the Operational Check to ensure system works properly. Refer to [HAC-4, "Operational Check \(Front\)"](#) (front) and [HAC-5, "Operational Check \(Rear\)"](#) (rear).

REFRIGERATION SYSTEM

< REMOVAL AND INSTALLATION >

REMOVAL AND INSTALLATION

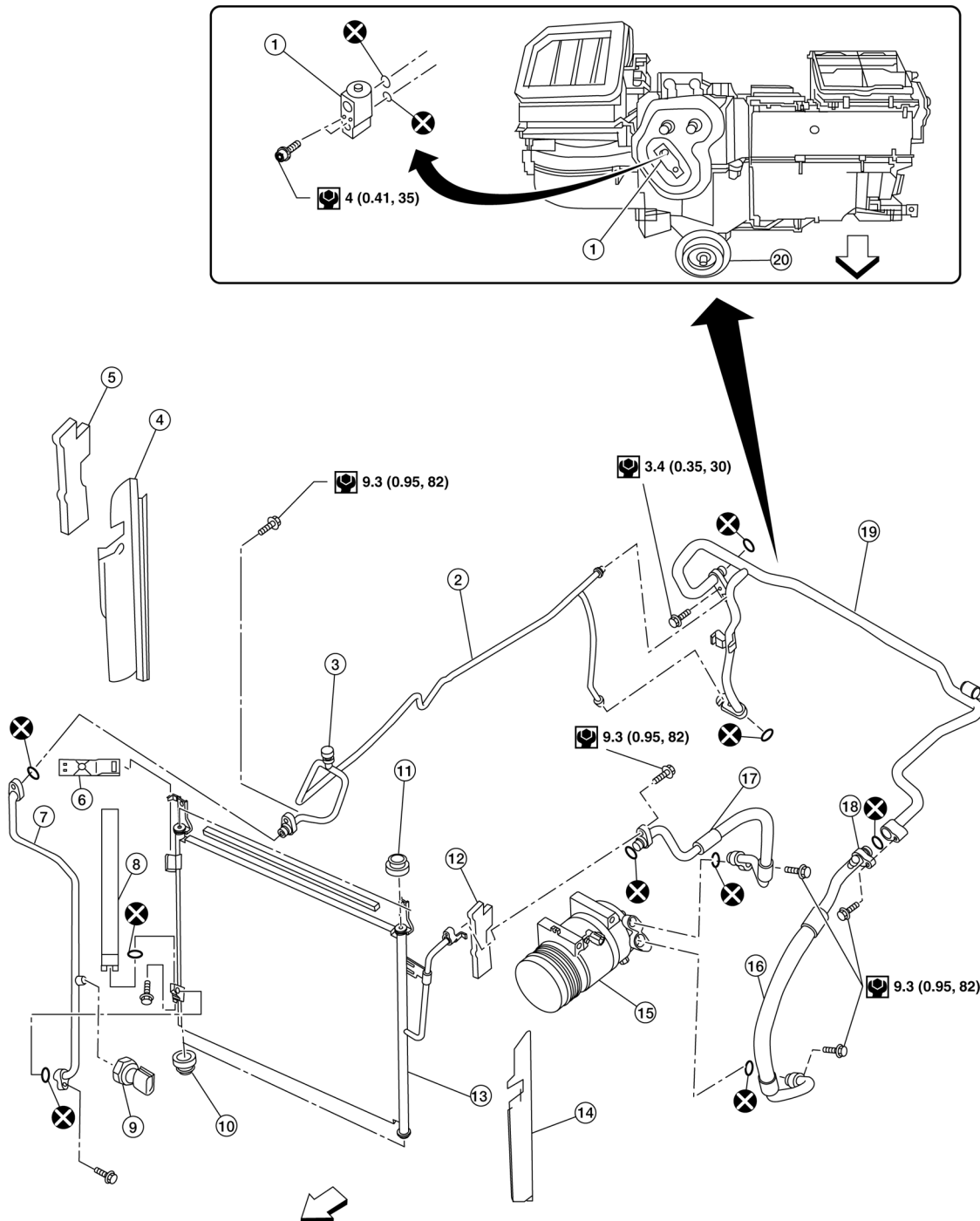
REFRIGERATION SYSTEM

Component

INFOID:000000009823781

Front A/C System

SEC. 270 • 274 • 276



AWI1A1606ZZ

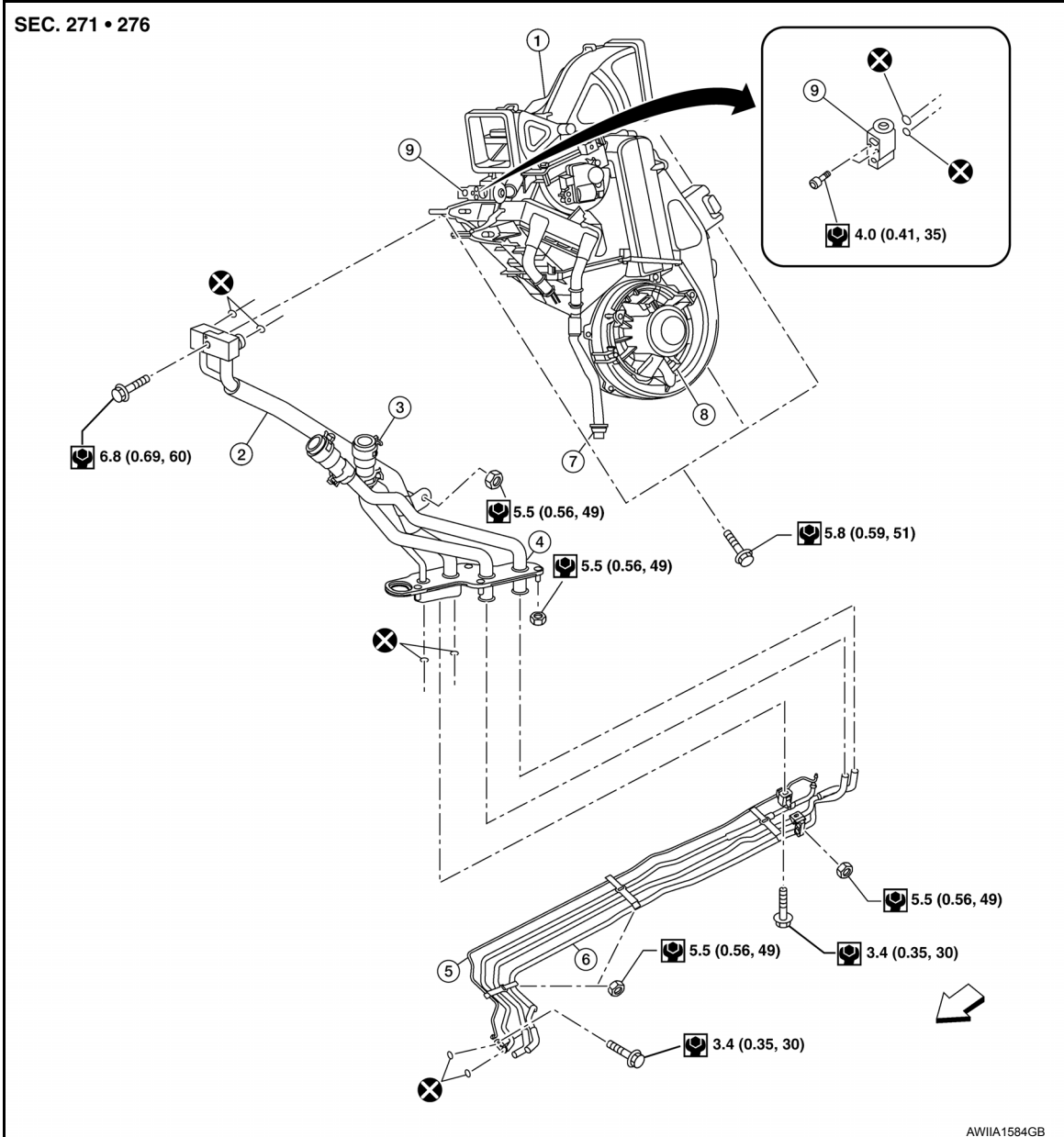
A
B
C
D
E
F
G
H
HA
J
K
L
M
N
O
P

REFRIGERATION SYSTEM

< REMOVAL AND INSTALLATION >

- | | | |
|--------------------------------|---------------------------------|--------------------------------|
| 1. Front expansion valve | 2. High-pressure pipe | 3. High-pressure service valve |
| 4. Condenser seal (RH) | 5. Side seal (RH) | 6. Liquid tank bracket |
| 7. Junction pipe | 8. Liquid tank | 9. Refrigerant pressure sensor |
| 10. Grommet | 11. Grommet | 12. Side seal (LH) |
| 13. Condenser assembly | 14. Condenser seal (LH) | 15. Compressor |
| 16. Low-pressure flexible hose | 17. High-pressure flexible hose | 18. Low-pressure service valve |
| 19. Low-pressure pipe | 20. Drain hose | ⇐ Front |

Rear A/C System



- | | | |
|--|-------------------------------|---------------------------------------|
| 1. Rear heater and cooling unit assembly | 2. Rear A/C pipes | 3. Rear heater core hose |
| 4. Rear heater core pipes | 5. Under floor rear A/C pipes | 6. Under floor rear heater core pipes |
| 7. Drain hose | 8. Rear blower motor | 9. Rear expansion valve |
- ⇐ Front

NOTE:

Refer to [HA-5. "Precaution for Refrigerant Connection"](#).

COMPRESSOR

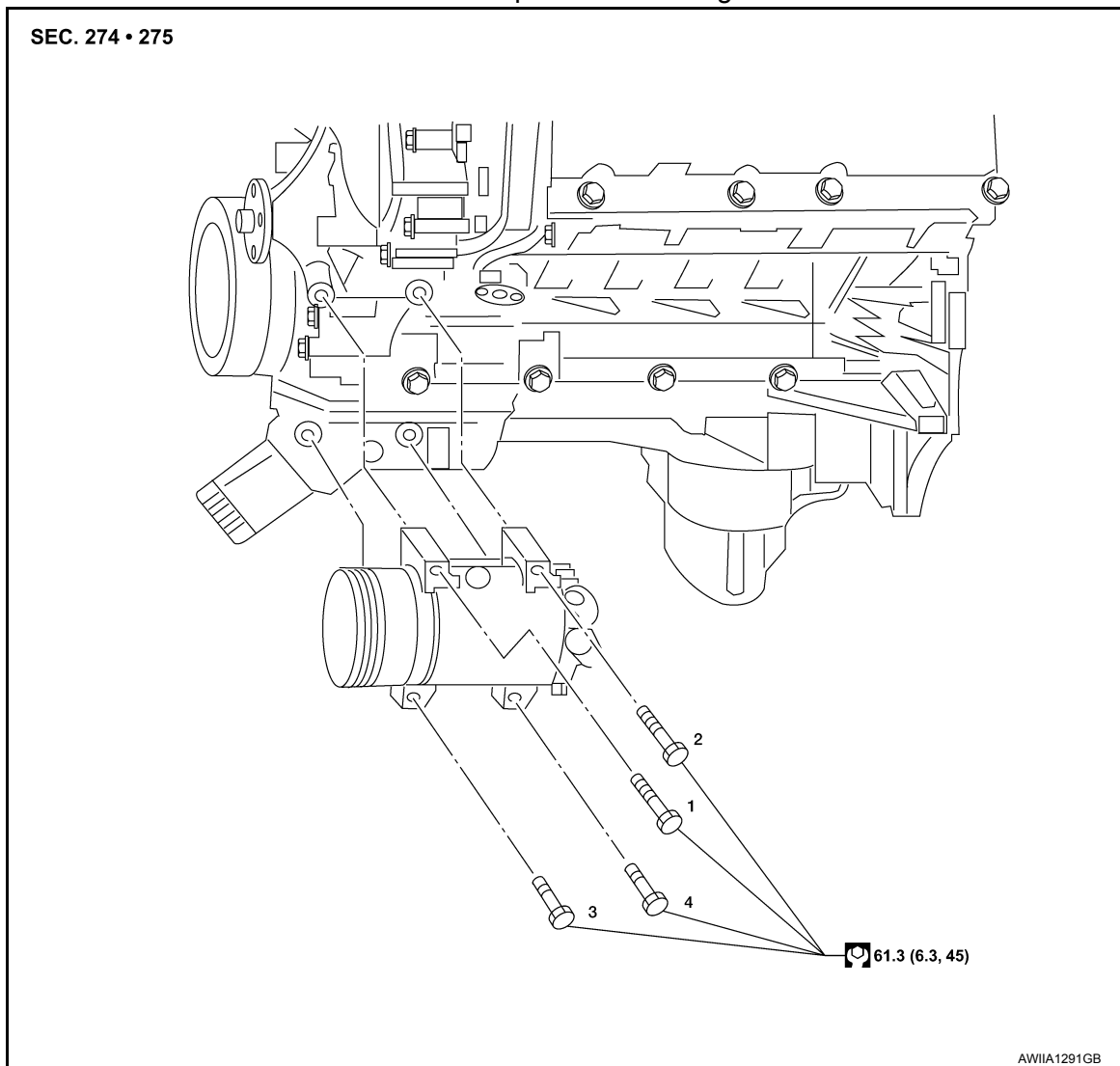
< REMOVAL AND INSTALLATION >

COMPRESSOR

Exploded View

INFOID:000000009823782

A/C Compressor Mounting



Removal and Installation

INFOID:000000009823783

REMOVAL

1. Discharge the refrigerant. Refer to [HA-20, "HFC-134a \(R-134a\) Service Procedure"](#).
2. Remove the drive belt. Refer to [EM-14, "Removal and Installation"](#).
3. Remove the front wheel and tire assembly (LH). Refer to [WT-51, "Rotation"](#).
4. Remove the front fender protector (LH). Refer to [EXT-27, "Removal and Installation"](#).
5. Remove the engine under cover. Refer to [EXT-15, "Removal and Installation"](#).
6. Disconnect the harness connector from the compressor.
7. Disconnect the high-pressure flexible hose and low-pressure flexible hose from the compressor.
CAUTION:
Cap or wrap the joint of the pipe with suitable material such as vinyl tape to avoid the entry of air.
8. Remove the compressor bolts and compressor.

INSTALLATION

Installation is in the reverse order of removal.

CAUTION:

COMPRESSOR

< REMOVAL AND INSTALLATION >

- Do not reuse O-rings.
- Apply A/C oil to the O-rings of the low-pressure flexible hose and high-pressure flexible hose for installation.
- After recharging the A/C system with refrigerant, check for leaks.

MAGNET CLUTCH

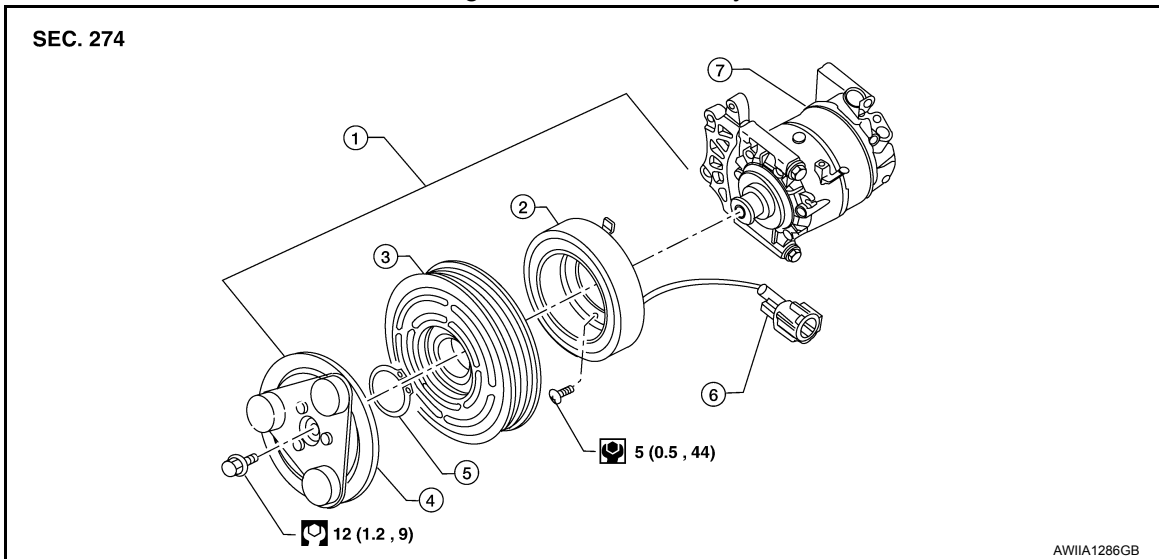
< REMOVAL AND INSTALLATION >

MAGNET CLUTCH

Exploded View

INFOID:000000009823784

Magnet Clutch Assembly



- | | | |
|---------------------------|----------------|---------------------------------|
| 1. Magnet clutch assembly | 2. Magnet coil | 3. Pulley |
| 4. Clutch disc | 5. Snap ring | 6. Thermal protector (built in) |
| 7. Compressor | | |

Removal and Installation for Compressor Clutch

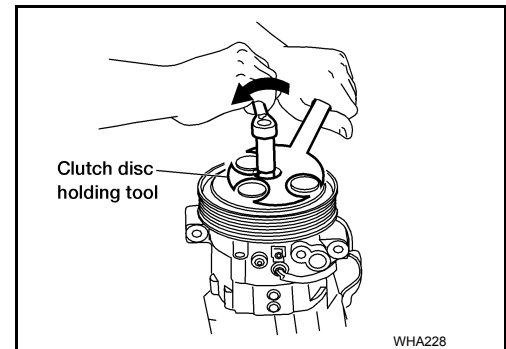
INFOID:000000009823785

REMOVAL

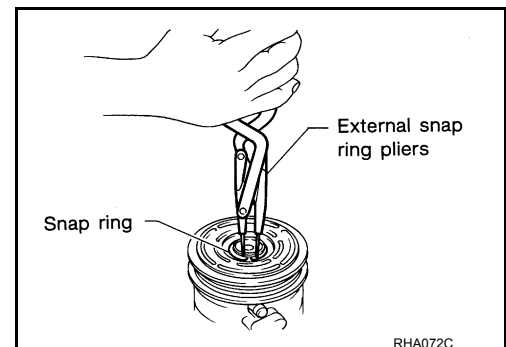
1. Remove the compressor. Refer to [HA-31. "Removal and Installation"](#).
2. Remove the center bolt while holding the clutch disc stationary using Tool as shown.

Tool number : — (J-44614)

3. Remove the clutch disc and shims.
CAUTION:
Retain all of the shims for installation.



4. Remove the snap ring using a suitable tool.



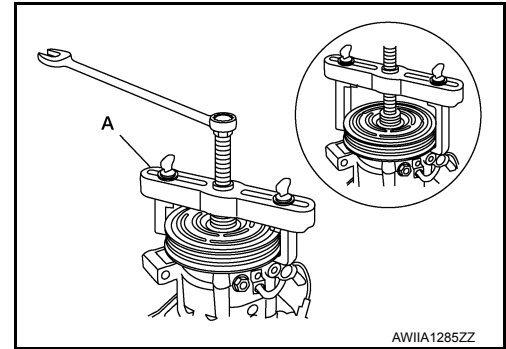
MAGNET CLUTCH

< REMOVAL AND INSTALLATION >

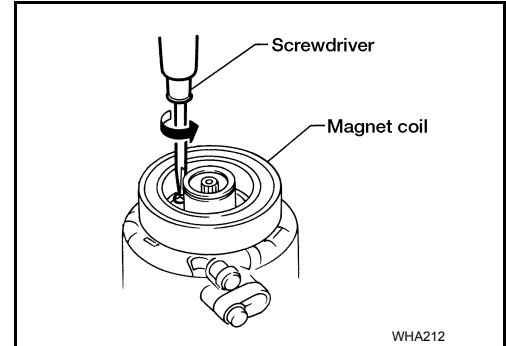
5. Remove the pulley using suitable tool (A).

CAUTION:

To prevent deformation of the pulley groove, the puller claws should be hooked under the pulley groove and not into the pulley groove.



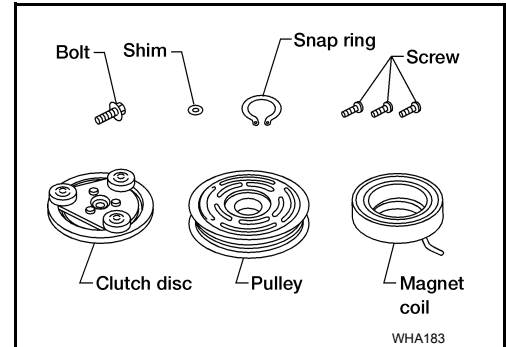
6. Remove the three magnet coil screws using a suitable tool and remove the magnet coil.



INSPECTION

Clutch Disc

If the contact surface shows signs of damage due to excessive heat, replace clutch disc and pulley.



Pulley

Check the appearance of the pulley assembly. If contact surface of pulley shows signs of excessive grooving, replace clutch disc and pulley. The contact surfaces of the pulley assembly should be cleaned with a suitable solvent before reinstallation.

Coil

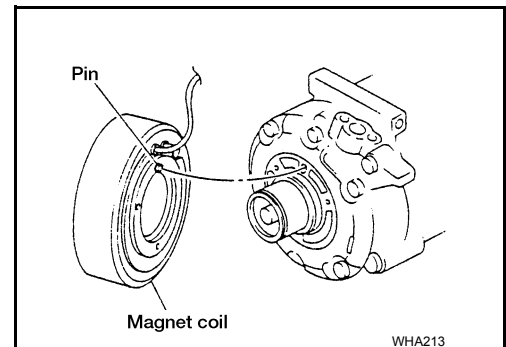
Check magnet coil for loose connections or any cracked insulation. Replace as necessary.

INSTALLATION

1. Install the magnet coil.

CAUTION:

Be sure to align the magnet coil pin with the hole in the compressor front head.

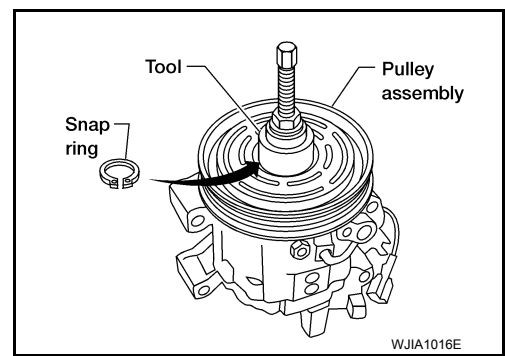


MAGNET CLUTCH

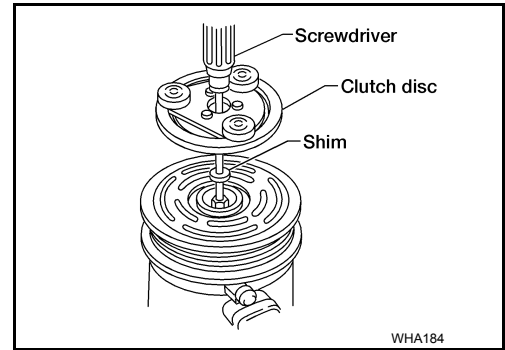
< REMOVAL AND INSTALLATION >

2. Install the pulley assembly using Tool and a wrench, then install the snap ring using a suitable tool.

Tool number : — (J-38873-A)



3. Install the clutch disc on the compressor shaft, together with all the original shim(s) using a suitable tool. Press the clutch disc in by hand.

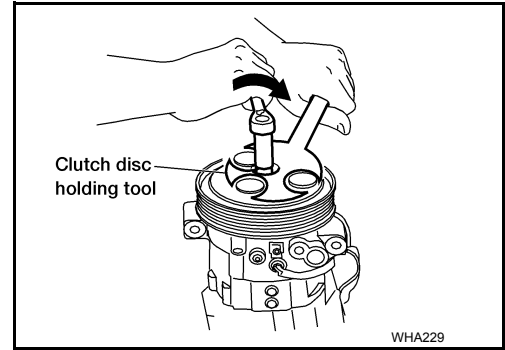


4. Install the clutch pulley bolt while using Tool to prevent the clutch disc from turning and tighten the bolt to specification.

Tool number : — (J-44614)

CAUTION:

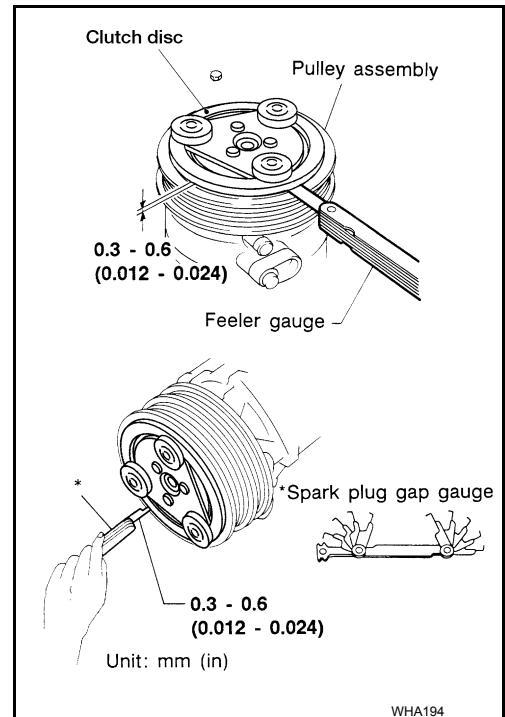
After tightening the clutch pulley bolt, check that the clutch pulley rotates smoothly.



5. Check the pulley clearance all the way around the clutch disc as shown.

**Clutch disc-to-pulley clearance : 0.3 - 0.6 mm
(0.012 - 0.024 in)**

6. If the specified clearance is not obtained, replace the adjusting spacer to readjust.
7. Install the compressor. Refer to [HA-31, "Removal and Installation"](#).



MAGNET CLUTCH

< REMOVAL AND INSTALLATION >

BREAK-IN OPERATION

When replacing compressor clutch assembly, always conduct the break-in operation. This is done by engaging and disengaging the clutch about 30 times. Break-in operation raises the level of transmitted torque.

LOW-PRESSURE FLEXIBLE HOSE

< REMOVAL AND INSTALLATION >

LOW-PRESSURE FLEXIBLE HOSE

Removal and Installation

INFOID:000000009823786

REMOVAL

1. Remove the air duct and resonator assembly and air cleaner case. Refer to [EM-26. "Removal and Installation"](#).
2. Discharge the refrigerant. Refer to [HA-20. "HFC-134a \(R-134a\) Service Procedure"](#).
CAUTION:
Cap or wrap the joint of the pipe with suitable material such as vinyl tape to avoid the entry of air.
3. Remove the low-pressure flexible hose.

INSTALLATION

Installation is in the reverse order of removal.

Refer to [HA-29. "Component"](#).

CAUTION:

- Do not reuse O-rings.
- Apply compressor oil to the new O-rings for installation.
- After charging refrigerant, check for leaks.

A

B

C

D

E

F

G

H

HA

J

K

L

M

N

O

P

LOW-PRESSURE PIPE

< REMOVAL AND INSTALLATION >

LOW-PRESSURE PIPE

Removal and Installation for Low-Pressure Pipe

INFOID:000000009823787

REMOVAL

1. Discharge the refrigerant. Refer to [HA-20, "HFC-134a \(R-134a\) Service Procedure"](#).
2. Remove the cowl top and the cowl top extension. Refer to [EXT-24, "Removal and Installation"](#).
3. Remove the low-pressure pipe.

CAUTION:

Cap or wrap the joint of the pipes with suitable material such as vinyl tape to avoid the entry of air.

INSTALLATION

Installation is in the reverse order of removal.

Refer to [HA-29, "Component"](#).

CAUTION:

- Do not reuse O-rings.
- Apply compressor oil to the new O-rings for installation.
- After charging refrigerant, check for leaks.

Removal and Installation for Rear High and Low-Pressure A/C and Heater Core Pipes

INFOID:000000009823788

REMOVAL

NOTE:

When removing hoses or tubes, cap or plug opening(s) to prevent fluid from spilling.

1. Discharge the refrigerant from the A/C system. Refer to [HA-20, "HFC-134a \(R-134a\) Service Procedure"](#).
2. Drain the coolant from the engine cooling system. Refer to [CO-11, "Changing Engine Coolant"](#).
3. Disconnect the underfloor rear heater hoses (1, 2) from the rear heater pipes underneath the vehicle.

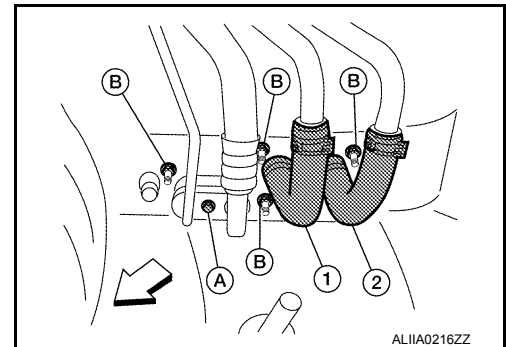
⇐: Front

4. Remove the rear high and low-pressure pipes bolt (A) to disconnect the rear high and low-pressure pipes from the underfloor rear high and low-pressure pipes.

CAUTION:

Cap or wrap the joint of the pipes with suitable material such as vinyl tape to avoid the entry of air.

5. Remove the rear high and low-pressure pipes nuts (B).

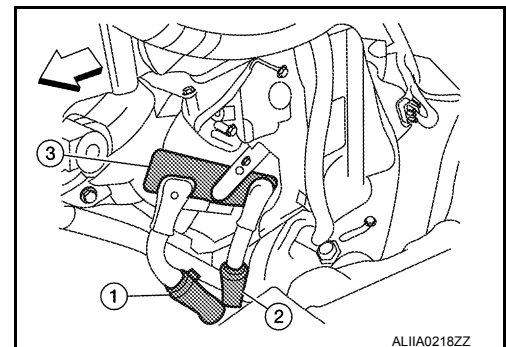


NOTE:

The remaining steps are performed inside the rear luggage area of the vehicle.

6. Remove the luggage side finisher lower (RH). Refer to [INT-24, "Removal and Installation"](#).
7. Disconnect the rear heater core hoses (1, 2) from the rear heater core (3).

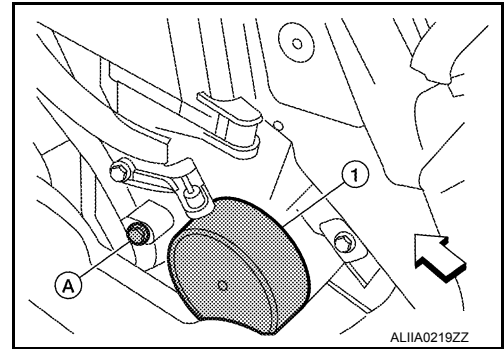
⇐: Front



LOW-PRESSURE PIPE

< REMOVAL AND INSTALLATION >

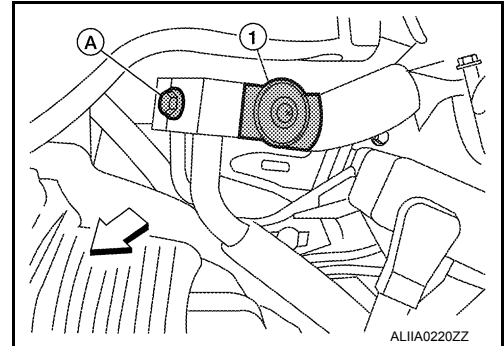
8. Remove the rear high and low-pressure pipes bracket bolt (A) to release the bracket.
- Rear blower motor (1)
 - ⇐: Front



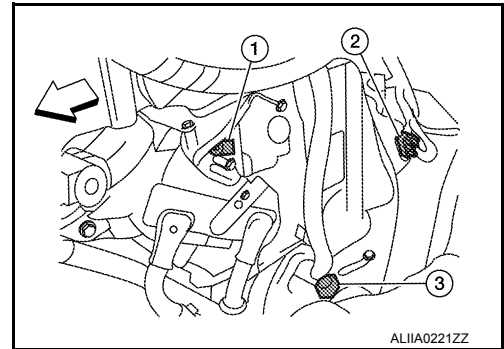
9. Remove the rear high and low-pressure pipes bolt (A) to disconnect the rear high and low-pressure pipes from the rear expansion valve (1).
- ⇐: Front

CAUTION:

Cap or wrap the joint of the pipes with suitable material such as vinyl tape to avoid the entry of air.



10. Disconnect the following harness connectors:
- Rear air mix door motor (1)
 - Rear variable blower control (2)
 - Rear blower motor (3)
 - ⇐: Front



11. Disconnect the ducts from the rear heater and cooling unit assembly. Refer to [VTL-33, "Component"](#).

12. Remove the rear heater and cooling unit assembly.

CAUTION:

Cap or wrap the joint of the pipes with suitable material such as vinyl tape to avoid the entry of air.

13. Remove the rear high and low-pressure A/C pipes.

INSTALLATION

Installation is in the reverse order of removal.

Refer to [HA-29, "Component"](#).

CAUTION:

- Do not reuse O-rings.
- Apply compressor oil to the new O-rings for installation.
- After charging the refrigerant, check for leaks.

Removal and Installation for Underfloor Rear High and Low-Pressure A/C and Heater Core Pipes

INFOID:000000009823789

REMOVAL

NOTE:

When removing hoses or tubes, cap or plug opening(s) to prevent fluid from spilling.

1. Drain the engine coolant. Refer to [CO-11, "Changing Engine Coolant"](#).
2. Disconnect the battery negative terminal. Refer to [PG-77, "Removal and Installation"](#).
3. Disconnect the harness connector from the generator.

LOW-PRESSURE PIPE

< REMOVAL AND INSTALLATION >

4. Discharge the refrigerant. Refer to [HA-20, "HFC-134a \(R-134a\) Service Procedure"](#).
5. Remove the front and rear bumper fascia. Refer to [EXT-15, "Removal and Installation"](#) (front) and [EXT-19, "Removal and Installation"](#) (rear).
6. Reposition the front fender protector out of the way. Refer to [EXT-27, "Removal and Installation"](#).
7. Disconnect the chassis harness connector.
8. Remove the spare wheel and tire.
9. Remove the tailpipe and tailpipe hanger bracket. Refer to [EX-6, "Removal and Installation"](#).
10. Remove the seatbelt latch anchor. Refer to [SB-20, "Removal and Installation"](#).
11. Remove the front floor heat shield.
12. Disconnect each end of the underfloor rear high and low-pressure A/C and heater core pipes. Refer to [HA-29, "Component"](#).
CAUTION:
Cap or wrap the joint of the pipes with suitable material such as vinyl tape to avoid the entry of air.
13. Set two suitable jacks at the RH body mount points to support the vehicle body when it is separated from the RH side of the frame.
14. Remove the RH body mount bolts. Refer to [BRM-17, "Body Mounting"](#).
15. Use the vehicle hoist to lower the RH side of the frame from the RH side of the body [approximately 305 mm (12 in)] until there is sufficient clearance to remove the underfloor rear high and low-pressure A/C and heater core pipes from between the body and the frame.
16. Remove the underfloor rear high and low-pressure A/C and heater core pipes from the back of the vehicle.

INSTALLATION

Installation is in the reverse order of removal.

CAUTION:

- Do not reuse O-rings.
- Apply compressor oil to the new O-rings for installation.
- After charging refrigerant, check for leaks.

HIGH-PRESSURE FLEXIBLE HOSE

< REMOVAL AND INSTALLATION >

HIGH-PRESSURE FLEXIBLE HOSE

Removal and Installation

INFOID:000000009823790

REMOVAL

1. Remove the engine undercover.
2. Remove the front fender protector (LH). Refer to [EXT-27, "Removal and Installation"](#).
3. Remove the air duct and resonator assembly and air cleaner case. Refer to [EM-26, "Removal and Installation"](#).
4. Discharge the refrigerant. Refer to [HA-20, "HFC-134a \(R-134a\) Service Procedure"](#).
5. Remove the high-pressure flexible hose.

CAUTION:

Cap or wrap the joint of the pipe with suitable material such as vinyl tape to avoid the entry of air.

INSTALLATION

Installation is in the reverse order of removal.

Refer to [HA-29, "Component"](#).

CAUTION:

- Do not reuse O-rings.
- Apply A/C oil to the O-ring of the high-pressure flexible hose for installation.
- After charging refrigerant, check for leaks.

A
B
C
D
E
F
G
H
J
K
L
M
N
O
P

HA

HIGH-PRESSURE PIPE

< REMOVAL AND INSTALLATION >

HIGH-PRESSURE PIPE

Removal and Installation for High-Pressure Pipe

INFOID:000000009823791

REMOVAL

CAUTION:

Disconnect both the negative and positive battery terminals, then wait at least three minutes.

1. Remove the cowl top extension. Refer to [EXT-24, "Removal and Installation"](#).
2. Disconnect the negative and positive battery terminals and wait at least three minutes. Refer to [PG-77, "Removal and Installation"](#).
3. Reposition the IPDM E/R aside. Refer to [PCS-31, "Removal and Installation of IPDM E/R"](#).
4. Remove the front wheel and tire assembly (RH). Refer to [WT-51, "Rotation"](#).
5. Remove the front fender protector (RH). Refer to [EXT-27, "Removal and Installation"](#).
6. Position aside the front floor insulator.
7. Discharge the refrigerant. Refer to [HA-20, "HFC-134a \(R-134a\) Service Procedure"](#).
8. Remove the low-pressure pipe. Refer to [HA-38, "Removal and Installation for Low-Pressure Pipe"](#).
9. Remove the high-pressure pipe.

CAUTION:

Cap or wrap the joint of the pipe with suitable material such as vinyl tape to avoid the entry of air.

INSTALLATION

Installation is in the reverse order of removal.

Refer to [HA-29, "Component"](#).

CAUTION:

- Do not reuse O-rings.
- Apply A/C oil to the O-ring of the high-pressure pipe for installation.
- After charging refrigerant, check for leaks.

Removal and Installation for Rear High and Low-Pressure A/C and Heater Core Pipes

INFOID:000000009823792

REMOVAL

NOTE:

When removing hoses or tubes, cap or plug opening(s) to prevent fluid from spilling.

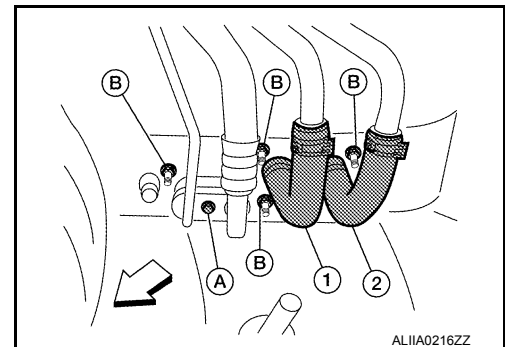
1. Discharge the refrigerant from the A/C system. Refer to [HA-20, "HFC-134a \(R-134a\) Service Procedure"](#).
2. Drain the coolant from the engine cooling system. Refer to [CO-11, "Changing Engine Coolant"](#).
3. Disconnect the underfloor rear heater hoses (1, 2) from the rear heater pipes underneath the vehicle.
⇐ Front

4. Remove the rear high and low-pressure pipes bolt (A) to disconnect the rear high and low-pressure pipes from the underfloor rear high and low-pressure pipes.

CAUTION:

Cap or wrap the joint of the pipes with suitable material such as vinyl tape to avoid the entry of air.

5. Remove the rear high and low-pressure pipes nuts (B).



ALIIA0216ZZ

NOTE:

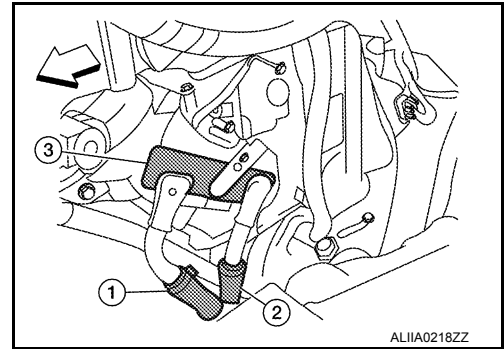
The remaining steps are performed inside the rear luggage area of the vehicle.

6. Remove the luggage side finisher lower (RH). Refer to [INT-24, "Removal and Installation"](#).

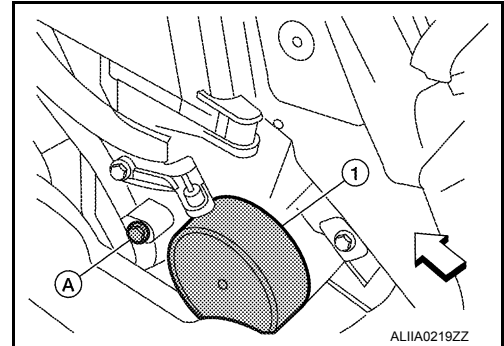
HIGH-PRESSURE PIPE

< REMOVAL AND INSTALLATION >

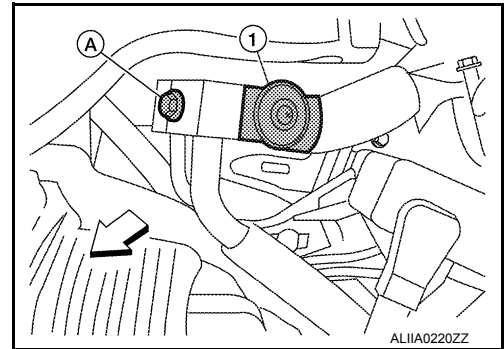
7. Disconnect the rear heater core hoses (1, 2) from the rear heater core (3).
⇐: Front



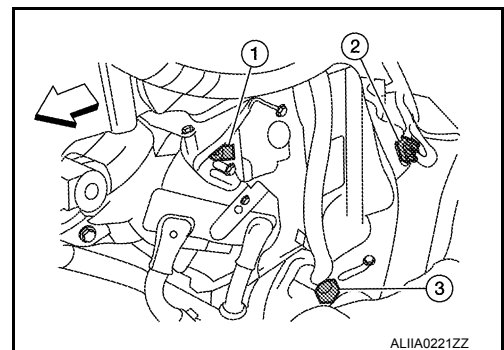
8. Remove the rear high and low-pressure pipes bracket bolt (A) to release the bracket.
• Rear blower motor (1)
• ⇐: Front



9. Remove the rear high and low-pressure pipes bolt (A) to disconnect the rear high and low-pressure pipes from the rear expansion valve (1).
⇐: Front
CAUTION:
Cap or wrap the joint of the pipes with suitable material such as vinyl tape to avoid the entry of air.



10. Disconnect the following harness connectors:
• Rear air mix door motor (1)
• Rear variable blower control (2)
• Rear blower motor (3)
• ⇐: Front



11. Disconnect the ducts from the rear heater and cooling unit assembly. Refer to [VTL-33. "Component"](#).
12. Remove the rear heater and cooling unit assembly.
CAUTION:
Cap or wrap the joint of the pipes with suitable material such as vinyl tape to avoid the entry of air.
13. Remove the rear high and low-pressure A/C pipes.

INSTALLATION

Installation is in the reverse order of removal.
Refer to [HA-29. "Component"](#).

CAUTION:

- Do not reuse O-rings.

A
B
C
D
E
F
G
H
HA
J
K
L
M
N
O
P

HIGH-PRESSURE PIPE

< REMOVAL AND INSTALLATION >

- Apply compressor oil to the new O-rings for installation.
- After charging the refrigerant, check for leaks.

Removal and Installation for Underfloor Rear High and Low-Pressure A/C and Heater Core Pipes

INFOID:000000009823793

REMOVAL

NOTE:

When removing hoses or tubes, cap or plug opening(s) to prevent fluid from spilling.

1. Drain the engine coolant. Refer to [CO-11, "Changing Engine Coolant"](#).
2. Disconnect the battery negative terminal. Refer to [PG-77, "Removal and Installation"](#).
3. Disconnect the harness connector from the generator.
4. Discharge the refrigerant. Refer to [HA-20, "HFC-134a \(R-134a\) Service Procedure"](#).
5. Remove the front and rear bumper fascia. Refer to [EXT-15, "Removal and Installation"](#) (front) and [EXT-19, "Removal and Installation"](#) (rear).
6. Reposition the front fender protector out of the way. Refer to [EXT-26, "Removal and Installation"](#).
7. Disconnect the chassis harness connector.
8. Remove the spare wheel and tire.
9. Remove the tailpipe and tailpipe hanger bracket. Refer to [EX-6, "Removal and Installation"](#).
10. Remove the seatbelt latch anchor. Refer to [SB-20, "Removal and Installation"](#).
11. Remove the front floor heat shield.
12. Disconnect each end of the underfloor rear high and low-pressure A/C and heater core pipes. Refer to [HA-29, "Component"](#).

CAUTION:

Cap or wrap the joint of the pipes with suitable material such as vinyl tape to avoid the entry of air.

13. Set two suitable jacks at the RH body mount points to support the vehicle body when it is separated from the RH side of the frame.
14. Remove the RH body mount bolts. Refer to [BRM-17, "Body Mounting"](#).
15. Use the vehicle hoist to lower the RH side of the frame from the RH side of the body [approximately 305 mm (12 in)] until there is sufficient clearance to remove the underfloor rear high and low-pressure A/C and heater core pipes from between the body and the frame.
16. Remove the underfloor rear high and low-pressure A/C and heater core pipes from the back of the vehicle.

INSTALLATION

Installation is in the reverse order of removal.

CAUTION:

- Do not reuse O-rings.
- Apply compressor oil to the new O-rings for installation.
- After charging refrigerant, check for leaks.

CONDENSER

< REMOVAL AND INSTALLATION >

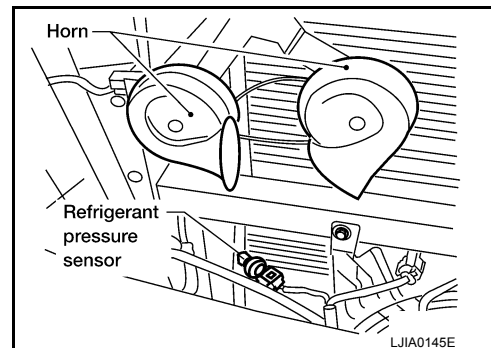
CONDENSER

Removal and Installation

INFOID:000000009823794

REMOVAL

1. Discharge the refrigerant. Refer to [HA-20. "HFC-134a \(R-134a\) Service Procedure"](#).
2. Remove the radiator. Refer to [CO-16. "Removal and Installation"](#).
CAUTION:
Be careful not to damage the core surface of the condenser and the radiator.
3. Disconnect the high-pressure flexible hose and the high-pressure pipe from the condenser.
CAUTION:
Cap or wrap the joint of the pipe with suitable material such as vinyl tape to avoid the entry of air.
4. Disconnect the harness connector from the refrigerant pressure sensor.
 - Remove the refrigerant pressure sensor from the condenser (if necessary).
5. Lift the condenser out of the grommets to remove.



INSTALLATION

Installation is in the reverse order of removal.
Refer to [HA-29. "Component"](#).

- CAUTION:**
- Do not reuse O-rings.
 - Apply compressor oil to the new O-rings for installation.
 - After charging refrigerant, check for leaks.
 - Replace the grommets as necessary.

AMBIENT SENSOR

< REMOVAL AND INSTALLATION >

AMBIENT SENSOR

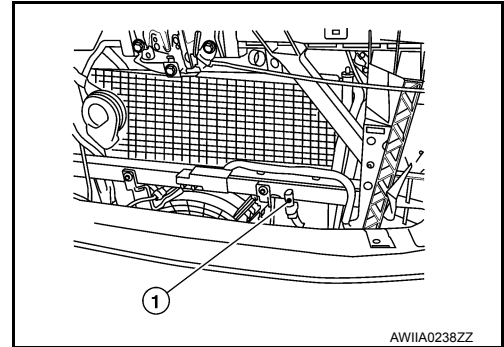
Removal and Installation

INFOID:000000009823795

REMOVAL

NOTE:

- The ambient sensor (1) is located behind the front bumper fascia, in front of the condenser.
 - Access to the ambient sensor (1) is through the opening in the front bumper fascia.
1. Disconnect the harness connector from the ambient sensor (1).
 2. Release the ambient sensor clip and remove the ambient sensor (1).



AWIIA0238ZZ

INSTALLATION

Installation is in the reverse order of removal.

REFRIGERANT PRESSURE SENSOR

< REMOVAL AND INSTALLATION >

REFRIGERANT PRESSURE SENSOR

Removal and Installation

INFOID:000000009823796

REMOVAL

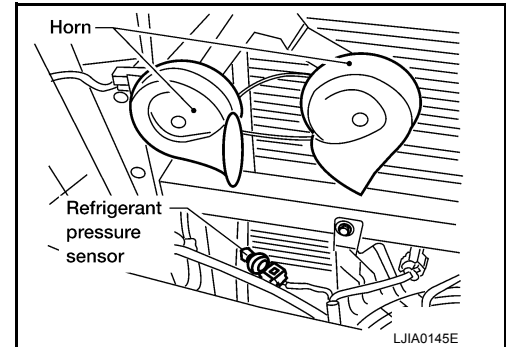
NOTE:

Access to the refrigerant pressure sensor is through the opening in the front bumper fascia.

1. Discharge the refrigerant. Refer to [HA-20. "HFC-134a \(R-134a\) Service Procedure"](#).
2. Disconnect the harness connector from the refrigerant pressure sensor.
3. Remove the refrigerant pressure sensor from the condenser.

CAUTION:

Be careful not to damage the condenser fins.



INSTALLATION

Installation is in the reverse order of removal.

Refer to [HA-29. "Component"](#).

CAUTION:

- Be careful not to damage the condenser fins.
- Do not reuse O-rings.
- Apply A/C oil to the O-ring of the refrigerant pressure sensor for installation.
- After charging refrigerant, check for leaks.

A
B
C
D
E
F
G
H
HA
J
K
L
M
N
O
P

EXPANSION VALVE

< REMOVAL AND INSTALLATION >

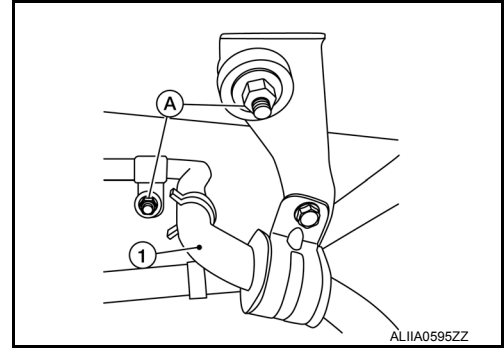
EXPANSION VALVE

Removal and Installation - Front Expansion Valve

INFOID:000000009823797

REMOVAL

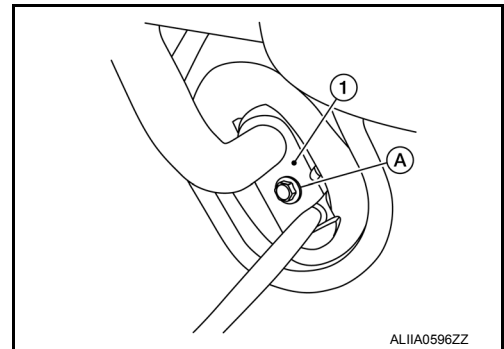
1. Discharge the refrigerant. Refer to [HA-20, "HFC-134a \(R-134a\) Service Procedure"](#).
2. Remove the nuts (A) from the low-pressure pipe (1).



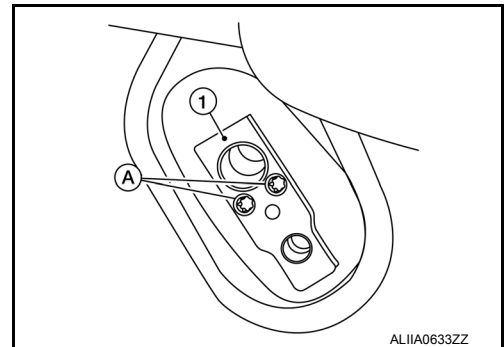
3. Remove the high-pressure pipe and low-pressure pipe bolt (A) from the front expansion valve (1).

CAUTION:

Cap or wrap the A/C refrigerant pipe ends and the evaporator pipe ends with a suitable material such as vinyl tape to avoid the entry of air and contaminants.



4. Remove the front expansion valve bolts (A), then remove the front expansion valve (1).



INSTALLATION

Installation is in the reverse order of removal.

Expansion valve bolts : 4 N·m (0.41 kg-m, 35 in-lb)

A/C refrigerant pipe to expansion valve bolt : Refer to [HA-29, "Component"](#).

CAUTION:

- Do reuse O-rings.
- Apply compressor oil to the new O-rings for installation.
- After charging refrigerant, check for leaks.

Removal and Installation - Rear Expansion Valve

INFOID:000000009823798

REMOVAL

1. Discharge the refrigerant. Refer to [HA-20, "HFC-134a \(R-134a\) Service Procedure"](#).

EXPANSION VALVE

< REMOVAL AND INSTALLATION >

2. Remove the third row seat. Refer to [SE-76, "Removal and Installation - LH Seat"](#) (W/O Power Folding LH), [SE-87, "Removal and Installation - RH Seat"](#) (W/O Power Folding RH), [SE-87, "Removal and Installation - RH Seat"](#) (Power Folding LH) and [SE-87, "Removal and Installation - RH Seat"](#) (Power Folding RH). A
3. Remove the luggage side finisher lower (RH). Refer to [INT-24, "Removal and Installation"](#). B
4. Remove the rear floor duct. Refer to [VTL-36, "Removal and Installation"](#). C
5. Disconnect the A/C refrigerant pipes from the rear expansion valve.
CAUTION:
Cap or wrap the A/C refrigerant pipe ends and the evaporator pipe ends with a suitable material such as vinyl tape to avoid the entry of air and contaminants. D
6. Remove the rear expansion valve. E

INSTALLATION

Installation is in the reverse order of removal.

- | | | |
|---|---|---|
| Expansion valve bolts | : 4 N·m (0.41 kg-m, 35 in-lb) | F |
| A/C refrigerant pipe to expansion valve bolt | : Refer to HA-48, "Removal and Installation - Rear Expansion Valve". | G |

CAUTION:

- Do not reuse O-rings. H
- Apply A/C oil to the expansion valve O-rings and the A/C refrigerant pipe O-rings for installation. I
- After charging the refrigerant, check for leaks. J

HA

J

K

L

M

N

O

P

LIQUID TANK

< REMOVAL AND INSTALLATION >

LIQUID TANK

Removal and Installation

INFOID:000000009823799

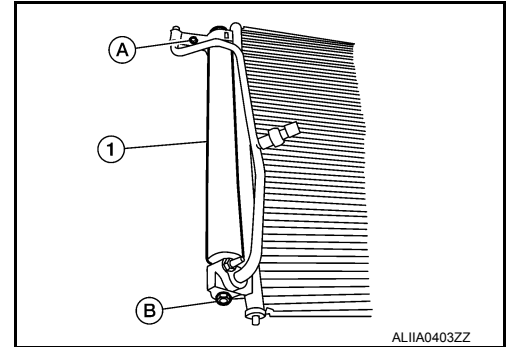
REMOVAL

1. Remove the condenser. Refer to [HA-45, "Removal and Installation"](#).
2. Clean liquid tank and its surrounding area and remove dirt and rust from liquid tank.

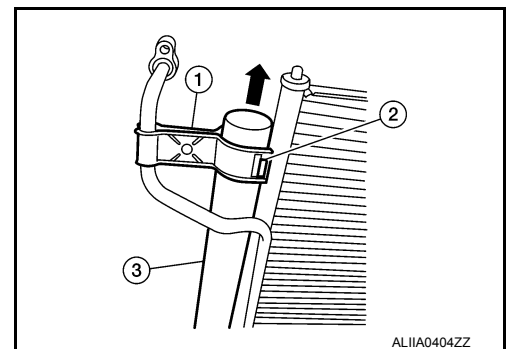
CAUTION:

Be sure to clean carefully.

3. Remove bracket bolt (A) and liquid tank bolt (B) from liquid tank (1).



4. Remove liquid tank bracket (1) from protruding part of condenser (2).
5. Slide liquid tank (3) upward away from condenser block and remove.



INSTALLATION

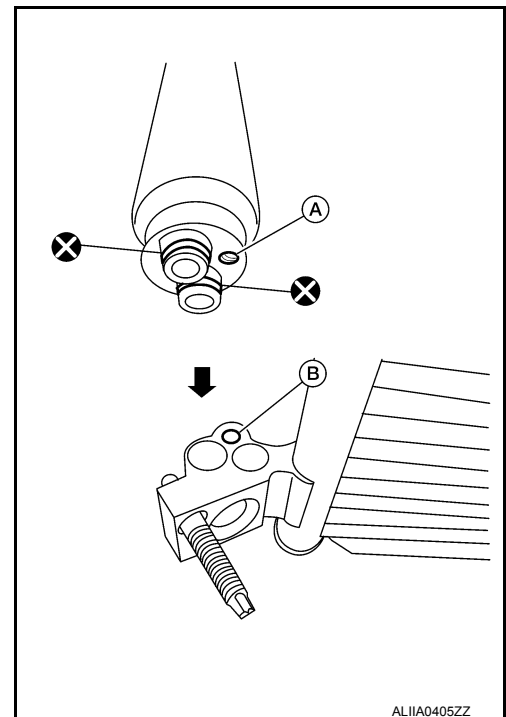
Installation is in the reverse order of removal.

NOTE:

Be careful to align the threaded liquid tank bolt hole (A) with condenser block (B).

CAUTION:

- Make sure liquid tank bolt is securely installed at condenser block (B).
- Always replace O-rings for A/C piping with new ones, and apply compressor oil when installing.
- When recharging refrigerant, check for leaks. Refer to [HA-26, "Checking of Refrigerant Leaks"](#).



SERVICE DATA AND SPECIFICATIONS (SDS)

< SERVICE DATA AND SPECIFICATIONS (SDS)

SERVICE DATA AND SPECIFICATIONS (SDS)

SERVICE DATA AND SPECIFICATIONS (SDS)

Service Data and Specification (SDS)

INFOID:000000009823800

COMPRESSOR

Make	Valeo Thermal Systems
Model	DKS-17D
Type	Swash plate
Displacement	175.5 cm ³ (10.7 in ³) / revolution
Cylinder bore × stroke	30.5 mm (1.20 in) x 24.0 mm (0.94 in)
Direction of rotation	Clockwise (viewed from drive end)
Drive belt	Poly V

OIL

Name	NISSAN A/C System Oil Type S
Capacity	290 mℓ (9.8 US fl oz, 10.2 Imp fl oz)

REFRIGERANT

Type	HFC 134a (R-134a)
Capacity	1.08 ± 0.05 kg (2.38 ± 0.11 lb)