

SECTION **BRM**
BODY REPAIR

CONTENTS

VEHICLE INFORMATION	2	PREPARATION	10
BODY EXTERIOR PAINT COLOR	2	REPAIRING MATERIAL	10
Body Exterior Paint Color	2	Foam Repair	10
PRECAUTION	3	BODY COMPONENT PARTS	11
PRECAUTIONS	3	Body Component Parts	11
Precaution for Supplemental Restraint System (SRS) "AIR BAG" and "SEAT BELT PRE-TEN- SIONER"	3	SERVICE INFORMATION	17
Precaution Necessary for Steering Wheel Rota- tion After Battery Disconnect	3	BODY REPAIR	17
Precaution in Repairing High Strength Steel	4	Body Mounting	17
Handling Precaution for Plastics	6	Corrosion Protection	17
		Body Sealing	20
		Body Construction	24
		Body Alignment	24
		Replacement Operation	39

A
B
C
D
E
F
G
H
I
J
L
M
N
O
P

BRM

BODY EXTERIOR PAINT COLOR

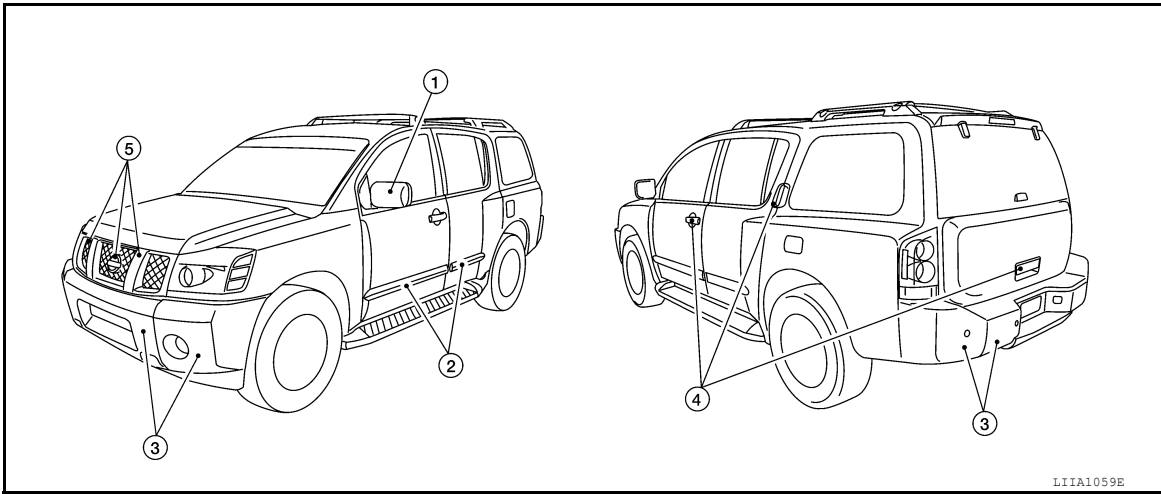
< VEHICLE INFORMATION >

VEHICLE INFORMATION

BODY EXTERIOR PAINT COLOR

Body Exterior Paint Color

INFOID:000000011289289



Component			Color code	RBG	G41	KAD	K23	NAB	QAB	CAJ	CAE
			Description	Blue	Black	Gray	Silver	Red	White	Brown	Brown
			Paint type	M	M	M	M	M	M	M	M
			Clear coat	t	t	t	t	t	t	t	t
1	Door mirror	Base	Black	G41	G41	G41	G41	G41	G41	G41	G41
		Housing	Chromium plate	Cr2P	Cr2P	Cr2P	Cr2P	Cr2P	Cr2P	Cr2P	Cr2P
2	Side guard molding	Top (if equipped)	Chromium plate	Cr2P	Cr2P	Cr2P	Cr2P	Cr2P	Cr2P	Cr2P	Cr2P
		Bottom	Body color	RBG	G41	KAD	K23	NAB	QAB	CAJ	CAE
3	Front and rear bumper fascias		Body color	RBG	G41	KAD	K23	NAB	QAB	CAJ	CAE
4	Outside door handles	Front	Chromium plate	Cr2P	Cr2P	Cr2P	Cr2P	Cr2P	Cr2P	Cr2P	Cr2P
			Body color	RBG	G41	KAD	K23	NAB	QAB	CAJ	CAE
		Rear	Body color	RBG	G41	KAD	K23	NAB	QAB	CAJ	CAE
		Back	Body color	RBG	G41	KAD	K23	NAB	QAB	CAJ	CAE
5	Front grille	SV	Body color	RBG	G41	KAD	K23	NAB	QAB	CAJ	CAE
		SL / Platinum	Chromium plate	Cr2P	Cr2P	Cr2P	Cr2P	Cr2P	Cr2P	Cr2P	Cr2P

M: Metallic; S-Solid; 2S: 2-Coat Solid, 2P: 2-Coat Pearl; 3P: 3-Coat Pearl; t: Primerless Diamond Coat Clear

PRECAUTIONS

< PRECAUTION >

PRECAUTION

PRECAUTIONS

Precaution for Supplemental Restraint System (SRS) "AIR BAG" and "SEAT BELT PRE-TENSIONER"

INFOID:000000011289290

The Supplemental Restraint System such as "AIR BAG" and "SEAT BELT PRE-TENSIONER", used along with a front seat belt, helps to reduce the risk or severity of injury to the driver and front passenger for certain types of collision. This system includes seat belt switch inputs and dual stage front air bag modules. The SRS system uses the seat belt switches to determine the front air bag deployment, and may only deploy one front air bag, depending on the severity of a collision and whether the front occupants are belted or unbelted. Information necessary to service the system safely is included in the SR and SB section of this Service Manual.

WARNING:

- To avoid rendering the SRS inoperative, which could increase the risk of personal injury or death in the event of a collision which would result in air bag inflation, all maintenance must be performed by an authorized NISSAN/INFINITI dealer.
- Improper maintenance, including incorrect removal and installation of the SRS, can lead to personal injury caused by unintentional activation of the system. For removal of Spiral Cable and Air Bag Module, see the SR section.
- Do not use electrical test equipment on any circuit related to the SRS unless instructed to in this Service Manual. SRS wiring harnesses can be identified by yellow and/or orange harnesses or harness connectors.

PRECAUTIONS WHEN USING POWER TOOLS (AIR OR ELECTRIC) AND HAMMERS

WARNING:

- When working near the Airbag Diagnosis Sensor Unit or other Airbag System sensors with the Ignition ON or engine running, DO NOT use air or electric power tools or strike near the sensor(s) with a hammer. Heavy vibration could activate the sensor(s) and deploy the air bag(s), possibly causing serious injury.
- When using air or electric power tools or hammers, always switch the Ignition OFF, disconnect the battery and wait at least three minutes before performing any service.

Precaution Necessary for Steering Wheel Rotation After Battery Disconnect

INFOID:000000011289291

NOTE:

- This Procedure is applied only to models with Intelligent Key system and NATS (NISSAN ANTI-THEFT SYSTEM).
- Remove and install all control units after disconnecting both battery cables with the ignition knob in the "LOCK" position.
- Always use CONSULT to perform self-diagnosis as a part of each function inspection after finishing work. If DTC is detected, perform trouble diagnosis according to self-diagnostic results.

For models equipped with the Intelligent Key system and NATS, an electrically controlled steering lock mechanism is adopted on the key cylinder.

For this reason, if the battery is disconnected or if the battery is discharged, the steering wheel will lock and steering wheel rotation will become impossible.

If steering wheel rotation is required when battery power is interrupted, follow the procedure below before starting the repair operation.

OPERATION PROCEDURE

1. Connect both battery cables.

NOTE:

Supply power using jumper cables if battery is discharged.

2. Use the Intelligent Key or mechanical key to turn the ignition switch to the "ACC" position. At this time, the steering lock will be released.
3. Disconnect both battery cables. The steering lock will remain released and the steering wheel can be rotated.
4. Perform the necessary repair operation.

A
B
C
D
E
F
G
H
I
J
L
M
N
O
P

BRM

PRECAUTIONS

< PRECAUTION >

5. When the repair work is completed, return the ignition switch to the "LOCK" position before connecting the battery cables. (At this time, the steering lock mechanism will engage.)
6. Perform a self-diagnosis check of all control units using CONSULT.

Precaution in Repairing High Strength Steel

INFOID:000000011289292

High strength steel is used for body panels in order to reduce vehicle weight.

Accordingly, precautions in repairing automotive bodies made of high strength steel are described below:

High strength steel (hss) used in nissan vehicles

Tensile strength	Nissan/Infiniti designation	Major applicable parts
373 N/mm ² (38kg/mm ² ,54klb/sq in)	SP130	<ul style="list-style-type: none"> • Front inner pillar upper • Front pillar hinge brace • Outer front pillar reinforcement • Other reinforcements
785-981 N/mm ² (80-100kg/mm ² 114-142klb/sq in)	SP150	<ul style="list-style-type: none"> • Outer sill reinforcement • Main back pillar

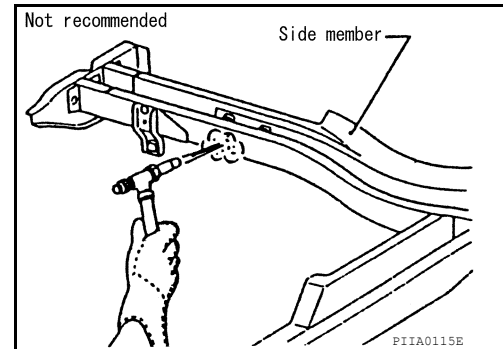
SP130 is the most commonly used HSS.

SP150 HSS is used only on parts that require much more strength.

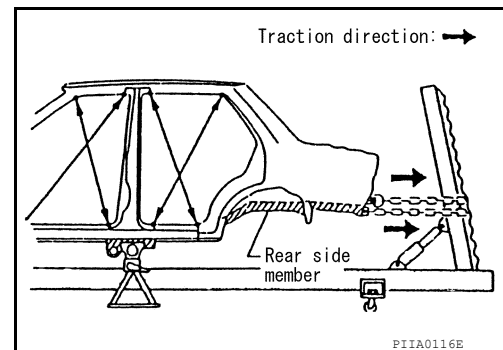
Read the following precautions when repairing HSS:

1. Additional points to consider

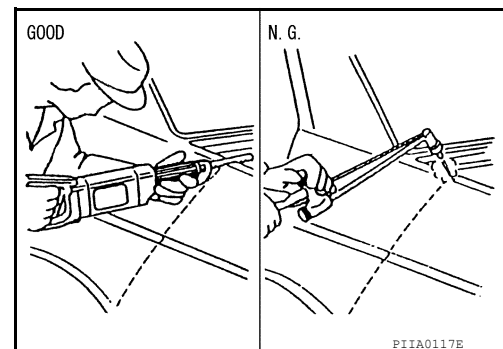
- The repair of reinforcements (such as side members) by heating is not recommended since it may weaken the component. When heating is unavoidable, do not heat HSS parts above 550°C (1,022°F). Verify heating temperature with a thermometer. (Crayon-type and other similar type thermometer are appropriate.)



- When straightening body panels, use caution in pulling any HSS panel. Because HSS is very strong, pulling may cause deformation in adjacent portions of the body. In this case, increase the number of measuring points, and carefully pull the HSS panel.



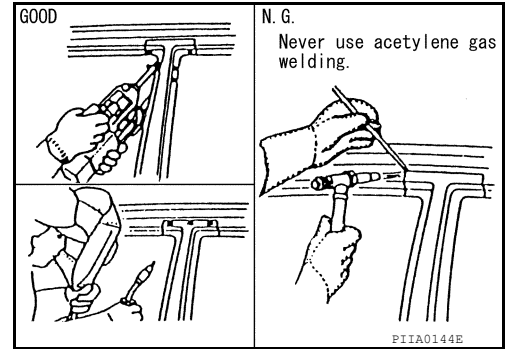
- When cutting HSS panels, avoid gas (torch) cutting if possible. Instead, use a saw to avoid weakening surrounding areas due to heat. If gas (torch) cutting is unavoidable, allow a minimum margin of 50 mm (1.97in).



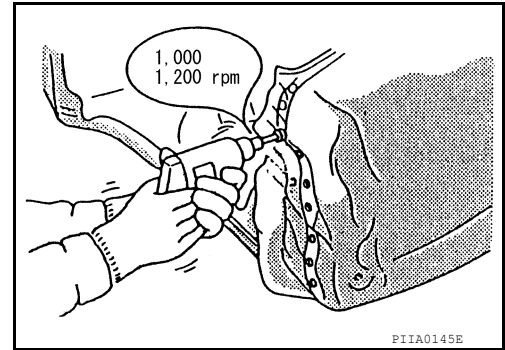
PRECAUTIONS

< PRECAUTION >

- When welding HSS panels, use spot welding whenever possible in order to minimize weakening surrounding areas due to heat. If spot welding is impossible, use M.I.G. welding. Do not use gas (torch) welding because it is inferior in welding strength.



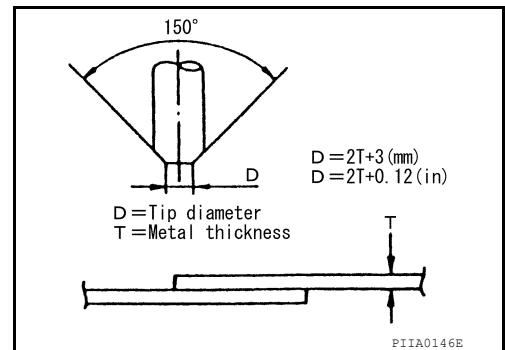
- The spot weld on HSS panels is harder than that of an ordinary steel panel. Therefore, when cutting spot welds on a HSS panel, use a low speed high torque drill (1,000 to 1,200 rpm) to increase drill bit durability and facilitate the operation.
- SP150 HSS panels with a tensile strength of 785 to 981 N/mm² (80 to 100 kg/mm², 114 to 142 klb/sq in), used as reinforcement in the door guard beams, is too strong to repair. When these HSS parts are damaged, the outer panels also sustain substantial damage; therefore, the assembly parts must be replaced.



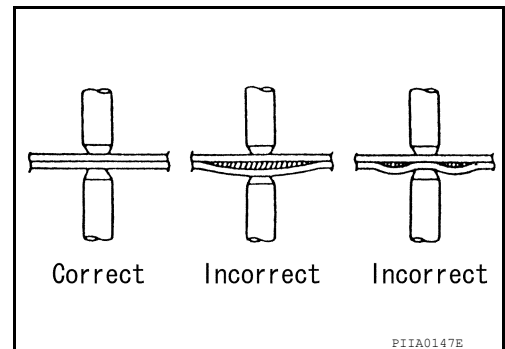
2. Precautions in spot welding HSS

This work should be performed under standard working conditions. Always note the following when spot welding HSS:

- The electrode tip diameter must be sized properly according to the metal thickness.



- The panel surfaces must fit flush to each other, leaving no gaps.



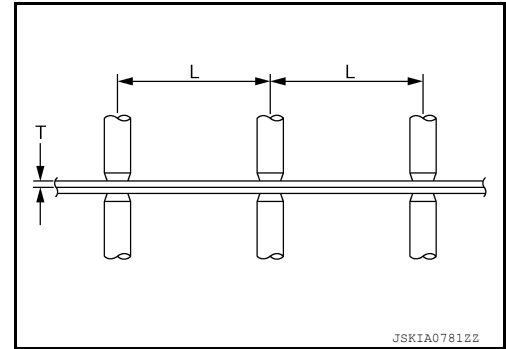
PRECAUTIONS

< PRECAUTION >

- Follow the specifications for the proper welding pitch.

Thickness (T)	Minimum pitch (L)
0.6 (0.024)	10 (0.39) or over
0.8 (0.031)	12 (0.47) or over
1.0 (0.039)	18 (0.71) or over
1.2 (0.047)	20 (0.79) or over
1.6 (0.063)	27 (1.06) or over
1.8 (0.071)	31 (1.22) or over

Unit:mm (in)



Handling Precaution for Plastics

INFOID:0000000011289293

HANDLING PRECAUTIONS FOR PLASTICS

Abbreviation	Material name	Heatresisting temperature °C (°F)	Resistance to gasoline and solvents	Other cautions
PE	Polyethylene	60 (140)	Gasoline and most solvents are harmless if applied for a very short time (wipe up quickly).	Flammable
PVC	Polyvinyl Chloride	80 (176)	Same as above.	Poison gas is emitted when burned.
EPM/EPDM	Ethylene Propylene (Diene) rubber	80 (176)	Same as above.	Flammable
TPO/TPR	Thermoplastic Olefine/ Thermoplastic Rubber	80 (176)	Same as above.	Flammable
PP	Polypropylene	90 (194)	Same as above.	Flammable, avoid battery acid.
UP	Polyester thermoset	90 (194)	Same as above.	Flammable
PS	Polystyrene	80 (176)	Avoid solvents.	Flammable
ABS	Acrylonitrile Butadiene Styrene resin	80 (176)	Avoid gasoline and solvents.	
AES	Acrylonitrile Ethylene Styrene	80 (176)	Same as above.	
PMMA	Polymethyl Methacrylate	85 (185)	Same as above.	
AAS	Acrylonitrile Acrylic Styrene	85 (185)	Same as above.	
AS	Acrylonitrile Styrene	85 (185)	Same as above.	
EVA	Polyvinyl Ethyl Acetate	90 (194)	Same as above.	
ASA	Acrylonitrile Styrene Acrylate	100 (222)	Same as above.	Flammable
PPO/PPE	Polyphenylene Oxide/ Polyphenylene Ether	110 (230)	Same as above.	
PC	Polycarbonate	120 (248)	Same as above.	
PAR	Polyacrylate	180 (356)	Same as above.	
L-LDPE	Linear Low Density PE	45 (100)	Gasoline and most solvents are harmless.	Flammable
PUR	Polyurethane	90 (194)	Same as above.	
TPU	Thermoplastic Urethane	110 (230)	Same as above.	
PPC	Polypropylene Composite	115 (239)	Same as above.	Flammable
POM	Polyacetal	120 (248)	Same as above.	Avoid battery acid.
PBT+PC	Polybutylene Terephthalate+Polycarbonate	120 (248)	Same as above.	Flammable

PRECAUTIONS

< PRECAUTION >

Abbreviation	Material name	Heatresisting temperature °C (°F)	Resistance to gasoline and solvents	Other cautions
PA	Polyamide (Nylon)	140 (284)	Same as above.	Avoid immersing in water.
PBT	Polybutylene Terephthalate	140 (284)	Same as above.	
FRP	Fiber Reinforced Plastics	170 (338)	Same as above.	Avoid battery acid.
PET	Polyethylene Terephthalate	180 (356)	Same as above.	
PEI	Polyetherimide	200 (392)	Same as above.	

1. When repairing and painting a portion of the body adjacent to plastic parts, consider their characteristics (influence of heat and solvent) and remove them if necessary or take suitable measures to protect them.
2. Plastic parts should be repaired and painted using methods suiting the materials' characteristics.

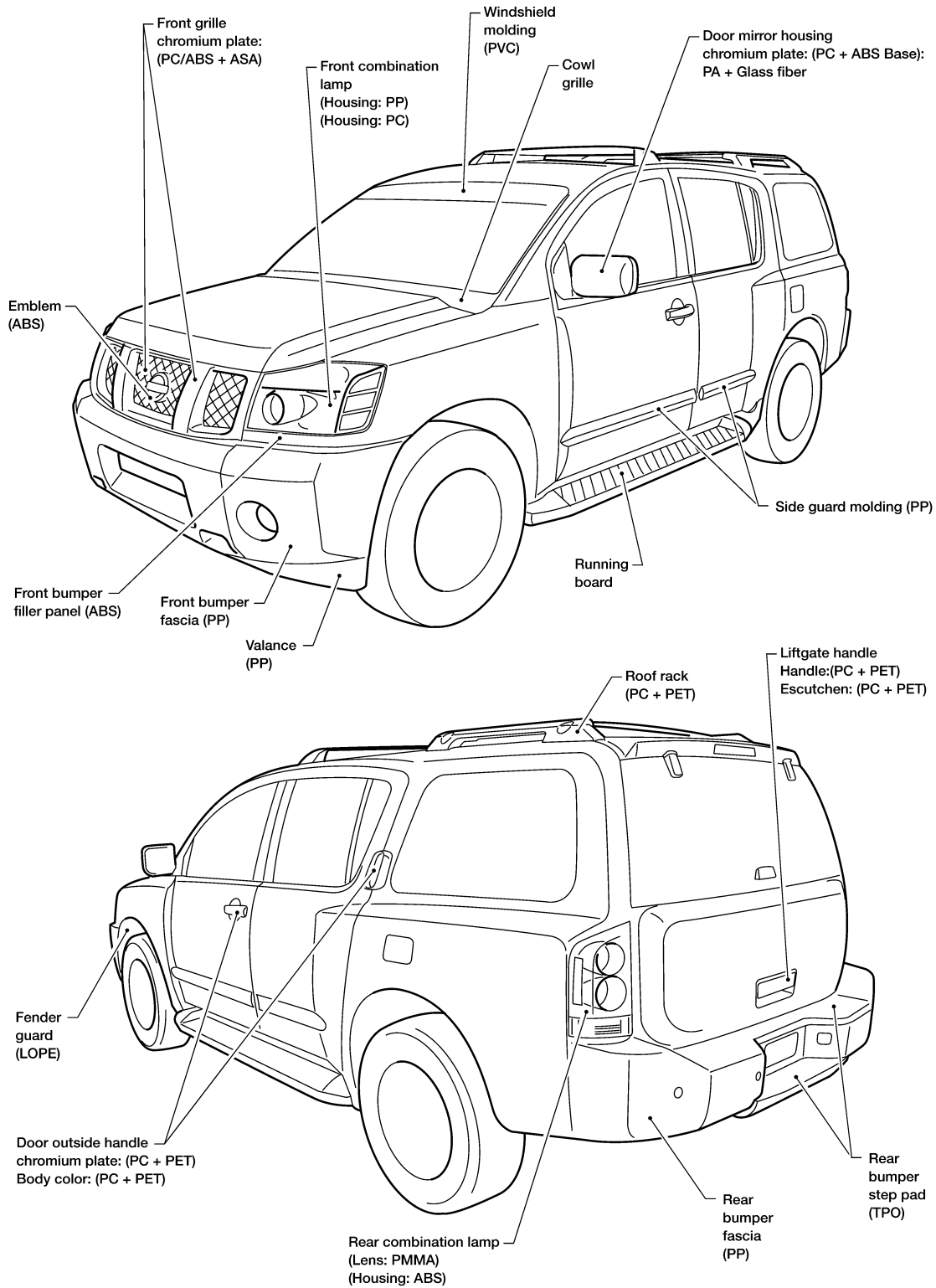
A
B
C
D
E
F
G
H
I
J
L
M
N
O
P

BRM

PRECAUTIONS

< PRECAUTION >

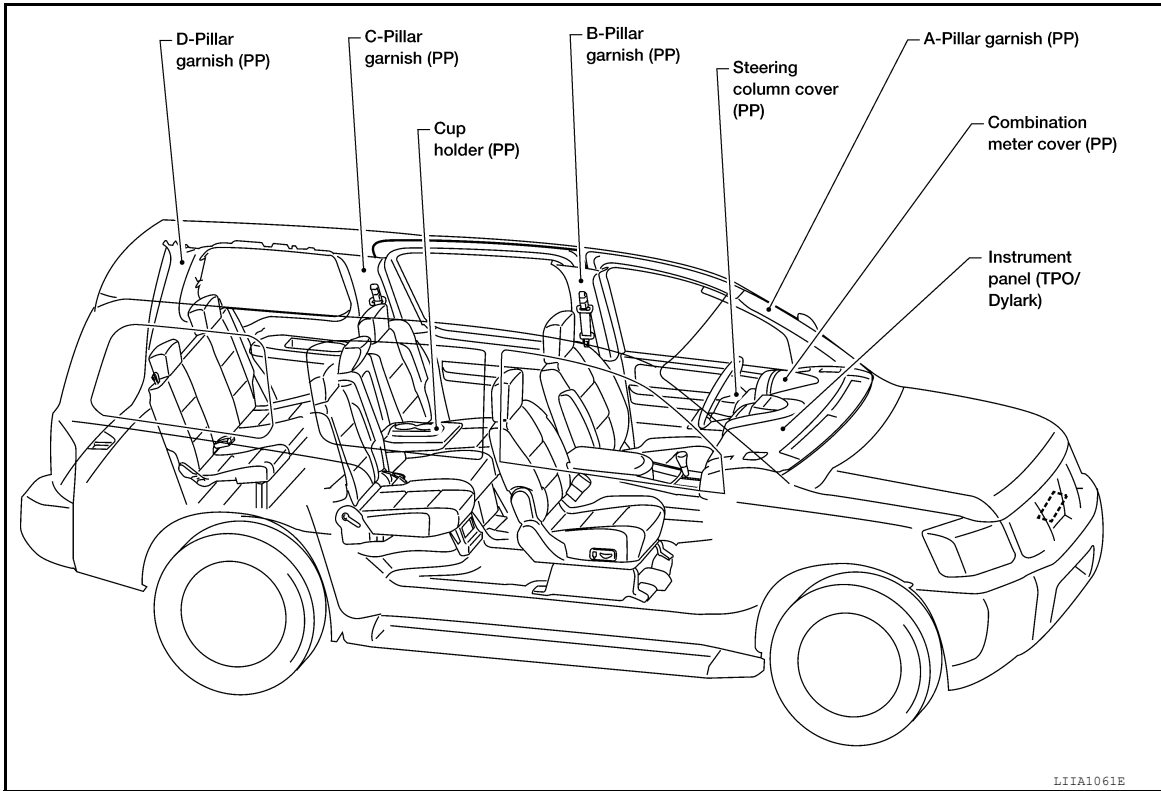
LOCATION OF PLASTIC PARTS



L1IA1060E

PRECAUTIONS

< PRECAUTION >



A

B

C

D

E

F

G

H

I

J

BRM

L

M

N

O

P

REPAIRING MATERIAL

< PREPARATION >

PREPARATION

REPAIRING MATERIAL

Foam Repair

INFOID:000000011289294

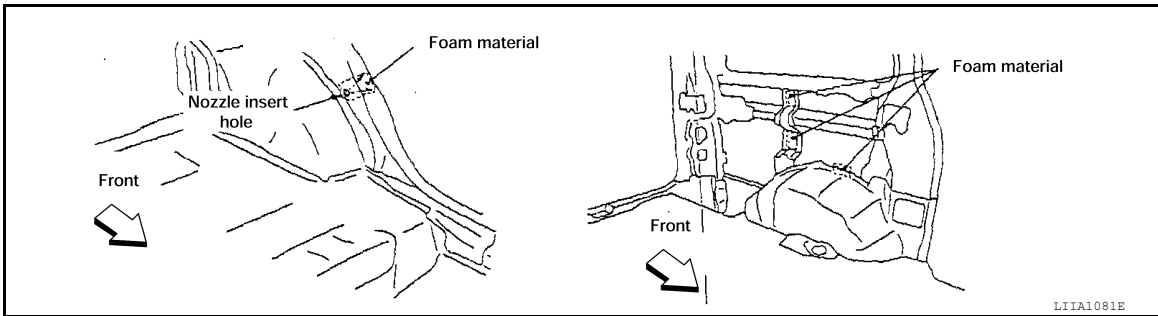
During factory body assembly, foam insulators are installed in certain body panels and locations around the vehicle. Use the following procedure(s) to replace any factory-installed foam insulators.

URETHANE FOAM APPLICATIONS

Use commercially available spray foam for sealant (foam material) repair of material used on vehicle. Read instructions on product for fill procedures.

FILL PROCEDURES

1. Fill procedures after installation of service part.
 - Remove foam material remaining on vehicle side.
 - Clean area in which foam was removed.
 - Install service part.
 - Insert nozzle into hole near fill area and fill foam material or fill in enough to close gap with the service part.



2. Fill procedures before installation of service part.
 - Remove foam material remaining on vehicle side.
 - Clean area in which foam was removed.
 - Fill foam material on wheelhouse outer side.

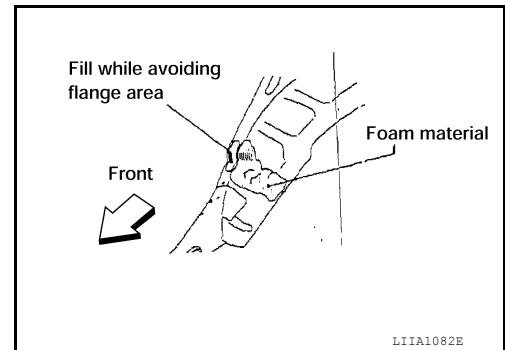
NOTE:

Fill in enough to close gap with service part while avoiding flange area.

- Install service part.

NOTE:

Refer to label for information on working times.



BODY COMPONENT PARTS

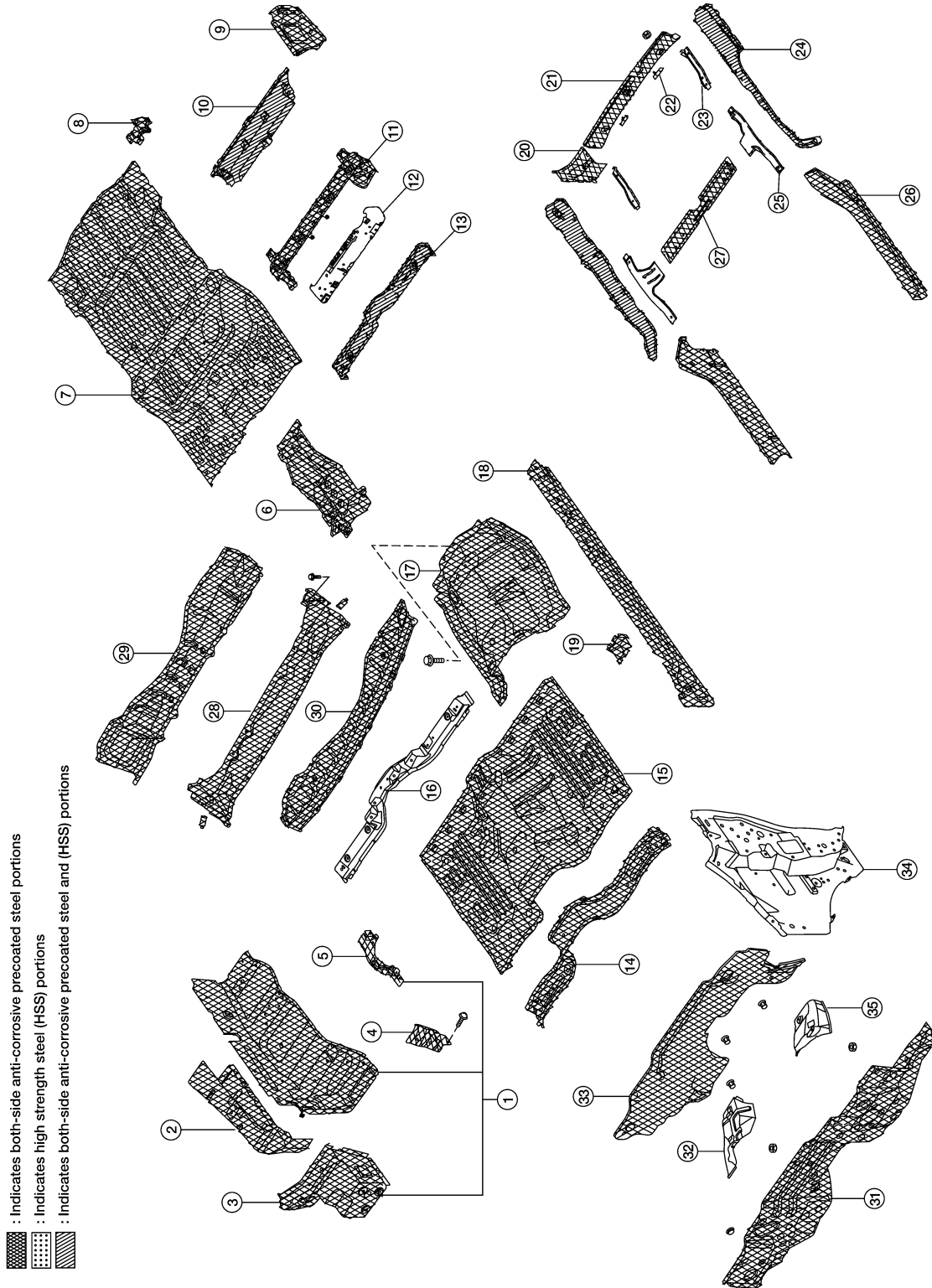
< PREPARATION >

BODY COMPONENT PARTS

Body Component Parts

INFOID:000000011289295

UNDERBODY COMPONENT PARTS



1. Hoodledge assembly (RH, LH)
2. Hoodledge reinforcement (RH, LH)

A
B
C
D
E
F
G
H
I
J
BRM
L
M
N
O
P

BODY COMPONENT PARTS

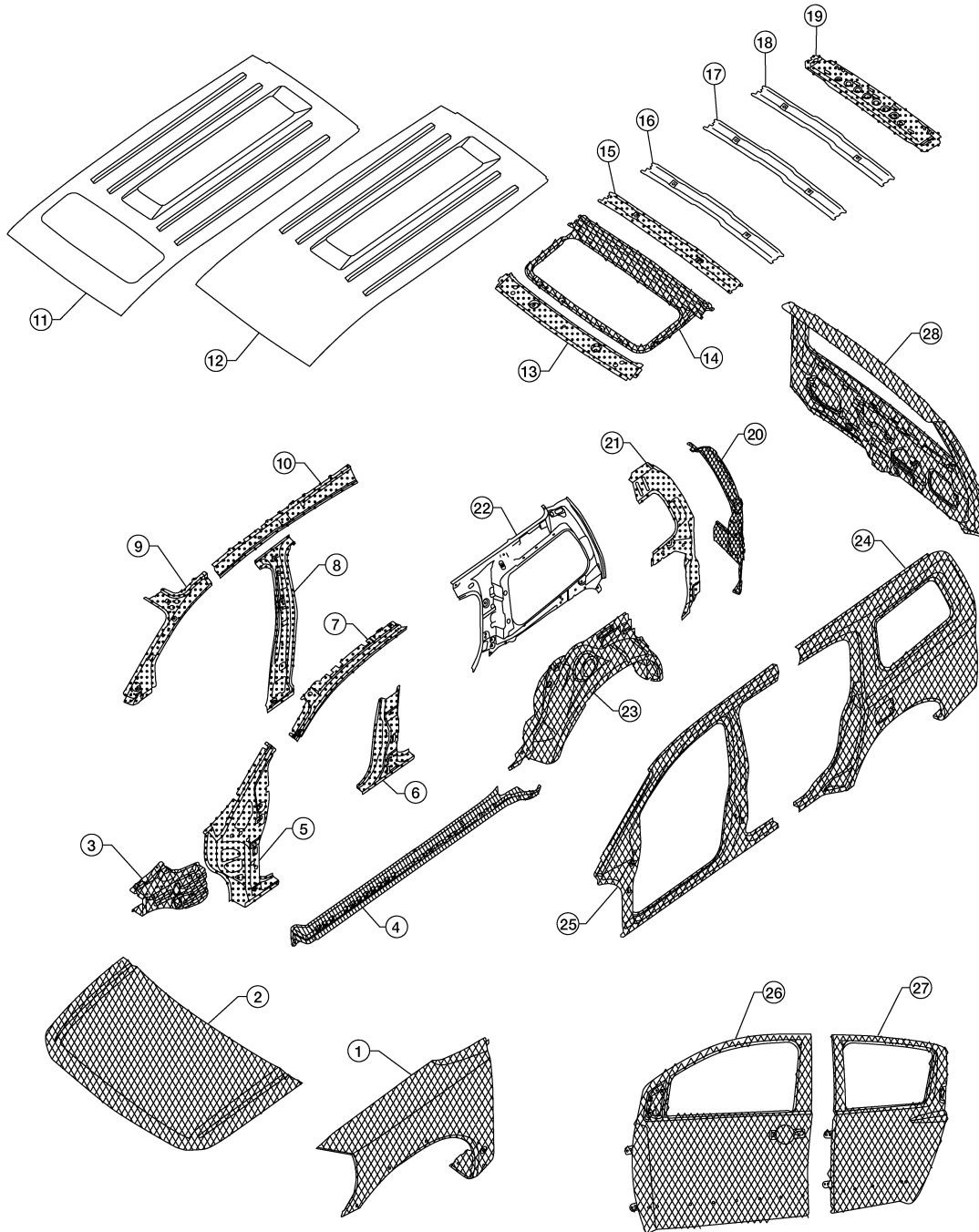
< PREPARATION >




3. Body mounting bracket (RH, LH)
4. Hoodledge front brace (RH), Battery mounting bracket (LH)
5. Harness connector bracket
6. Rear floor reinforcement
7. Rear floor
8. Rear floor reinforcement
9. Rear floor side (RH, LH)
10. Crossmember
11. Second seat rear crossmember
12. Second seat front crossmember
13. Rear front seat crossmember
14. Second Body crossmember
15. Front floor
16. Front seat front crossmember
17. Front floor reinforcement
18. Outer sill (RH, LH)
19. Second crossmember extension
20. Rear crossmember end
21. Rear lower crossmember end
22. Rear crossmember end (RH, LH)
23. Rear side member rear reinforcement (RH, LH)
24. Rear side member (RH, LH)
25. Rear side member reinforcement (RH, LH)
26. Inner sill extension (RH, LH)
27. Rear crossmember
28. Upper dash top
29. Upper dash bottom
30. Cowl top
31. Lower dash
32. Lower dash insulator (RH)
33. Lower dash reinforcement
34. Side dash (RH, LH)
35. Lower dash insulator

BODY COMPONENT PARTS

< PREPARATION >

BODY COMPONENT PARTS



-  : Indicates both-side anti-corrosive precoated steel portions
-  : Indicates high strength steel (HSS) portions
-  : Indicates both-side anti-corrosive precoated steel and (HSS) portions

W1IA0299E

1. Front fender (RH, LH)
2. Hood assembly
3. Rear hoodledge reinforcement (RH, LH)
4. Outer sill reinforcement (RH, LH)

A
B
C
D
E
F
G
H
I
J
K
L
M
N
O
P

BRM

BODY COMPONENT PARTS

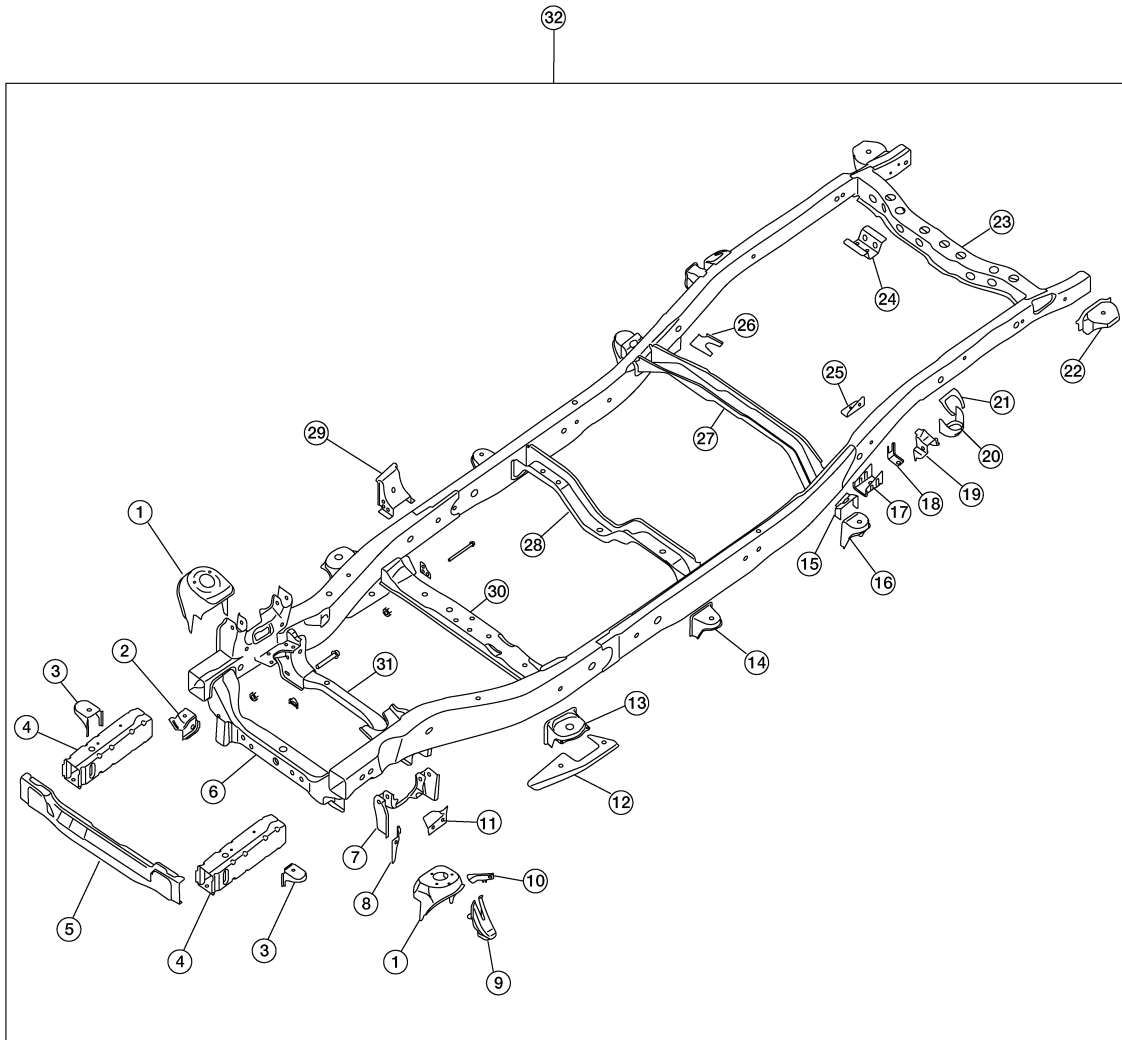
< PREPARATION >

5. Front pillar hinge brace (RH, LH)
6. Center pillar hinge brace
7. Outer front pillar reinforcement (RH, LH)
8. Center inner pillar (RH, LH)
9. Front inner pillar upper (RH, LH)
10. Inner roof side rail (RH, LH)
11. Roof with sunroof opening
12. Roof
13. Front roof rail
14. Sunroof reinforcement
15. Roof 1st bow
16. Roof 2nd bow
17. Roof 3rd bow
18. Roof 4th bow
19. Rear roof rail
20. Main back pillar (RH, LH)
21. Back pillar reinforcement (RH, LH)
22. Rear inner side panel (RH, LH)
23. Rear wheel housing (RH, LH)
24. Rear body side outer (RH, LH)
25. Front body side outer (RH, LH)
26. Front door assembly (RH, LH)
27. Rear door assembly (RH, LH)
28. Back door assembly

BODY COMPONENT PARTS

< PREPARATION >

FRAME COMPONENT PARTS



A
B
C
D
E
F
G
H
I
J
K
L
M
N
O
P

BRM

1. Front shock absorber bracket RH/LH
2. Front differential mounting bracket RH/LH
3. 1st cab mounting bracket RH/LH
4. Front side member extension assembly RH/LH
5. 1st crossmember assembly

BODY COMPONENT PARTS

< PREPARATION >

6. 2nd crossmember assembly
7. Front upper link mounting bracket RH/LH
8. Panhard rod bracket reinforcement
9. Bound bumper bracket RH/LH
10. Front brake hose bracket RH/LH
11. Panhard rod reinforcement
12. 4th crossmember gusset RH/LH
13. 2nd cab mounting bracket RH/LH
14. 3rd cab mounting bracket RH/LH
15. 4th cab mounting reinforcement RH/LH
16. 4th cab mounting bracket RH/LH
17. Rear suspension mounting bracket RH/LH
18. Rear brake hose bracket
19. Rear shock absorber bracket assembly RH/LH
20. Rear bound bumper bracket RH/LH
21. Rear bracket bumper reinforcement RH/LH
22. Cab mounting bracket assembly RH/LH
23. 9th crossmember assembly
24. Exhaust bracket assembly
25. Canister bracket, LH
26. 7th crossmember reinforcement
27. 7th crossmember assembly
28. 6th crossmember assembly
29. 4th crossmember gusset RH/LH
30. 4th crossmember assembly
31. 3rd crossmember assembly
32. Frame assembly

BODY REPAIR

< SERVICE INFORMATION >

SERVICE INFORMATION

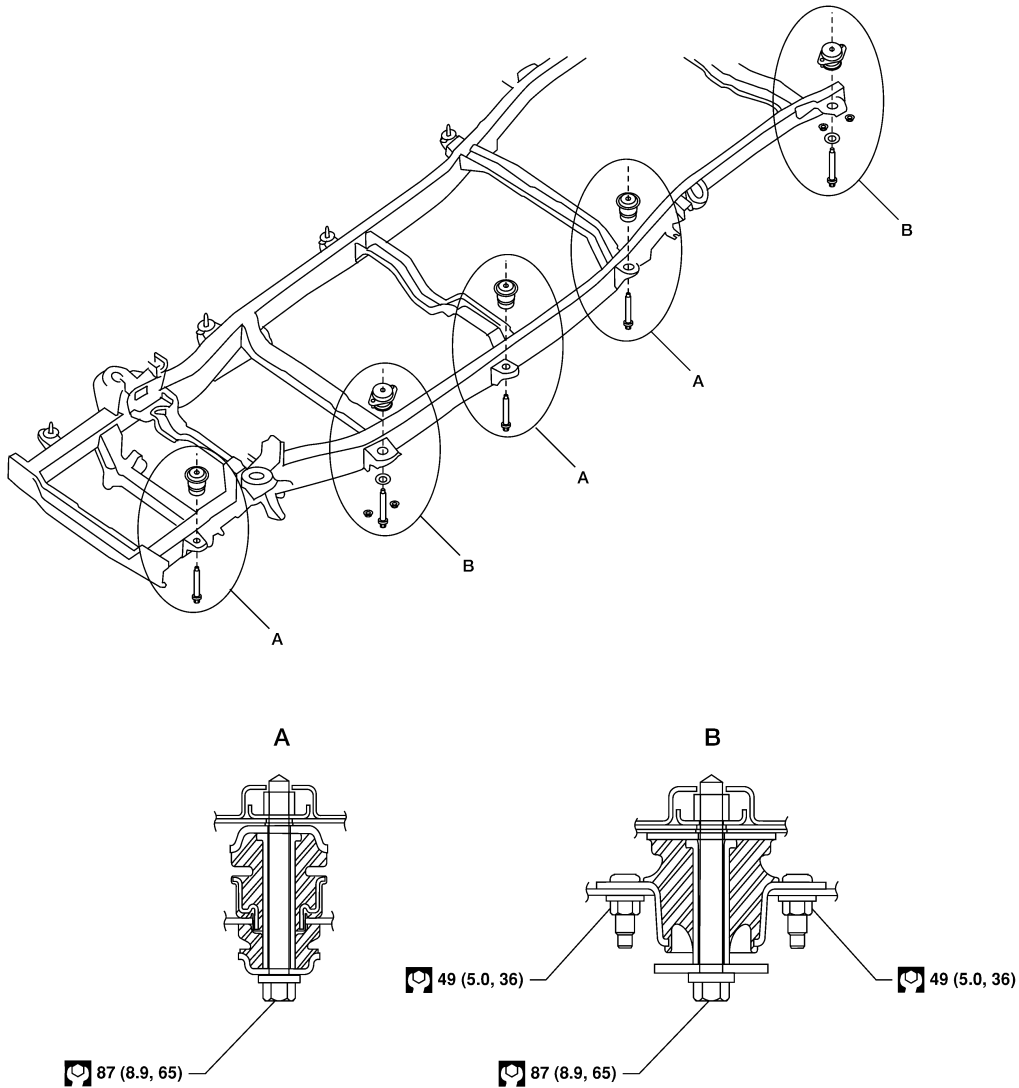
BODY REPAIR

Body Mounting

INFOID:000000011289296

When removing, be sure to replace bolts and nuts (sealant applied bolts or self-lock nuts are used for all mounting).

SEC. 930



N·m (kg-m, ft-lb)

LI1A1564E

Corrosion Protection

INFOID:000000011289297

DESCRIPTION

A
B
C
D
E
F
G
H
I
J
BRM
L
M
N
O
P

BODY REPAIR

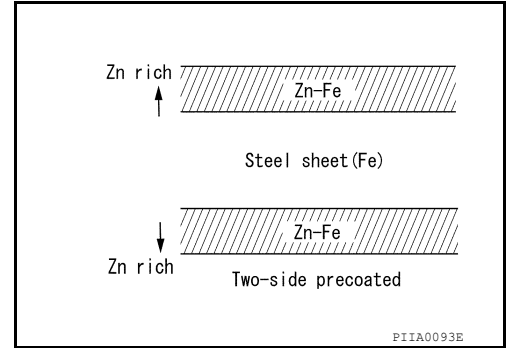
< SERVICE INFORMATION >

To provide improved corrosion prevention, the following anti-corrosive measures have been implemented in NISSAN production plants. When repairing or replacing body panels, it is necessary to use the same anti-corrosive measures.

ANTI-CORROSIVE PRECOATED STEEL (GALVANNEALED STEEL)

To improve repairability and corrosion resistance, a new type of anti-corrosive precoated steel sheet has been adopted replacing conventional zinc-coated steel sheet.

Galvannealed steel is electroplated and heated to form Zinc-iron alloy, which provides excellent and long term corrosion resistance with cationic electrode position primer.



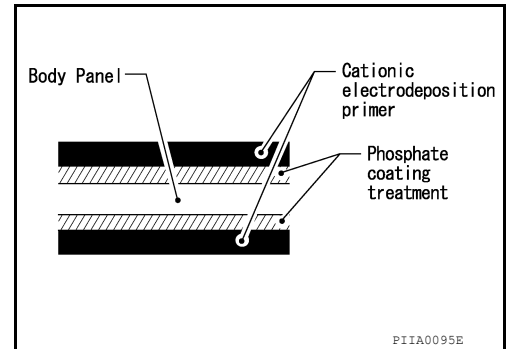
Nissan Genuine Service Parts are fabricated from galvannealed steel. Therefore, it is recommended that GENUINE NISSAN PARTS or equivalent be used for panel replacement to maintain the anti-corrosive performance built into the vehicle at the factory.

PHOSPHATE COATING TREATMENT AND CATIONIC ELECTRODEPOSITION PRIMER

A phosphate coating treatment and a cationic electrode position primer, which provide excellent corrosion protection, are employed on all body components.

CAUTION:

Confine paint removal during welding operations to an absolute minimum.



Nissan Genuine Service Parts are also treated in the same manner. Therefore, it is recommended that GENUINE NISSAN PARTS or equivalent be used for panel replacement to maintain anti-corrosive performance built into the vehicle at the factory.

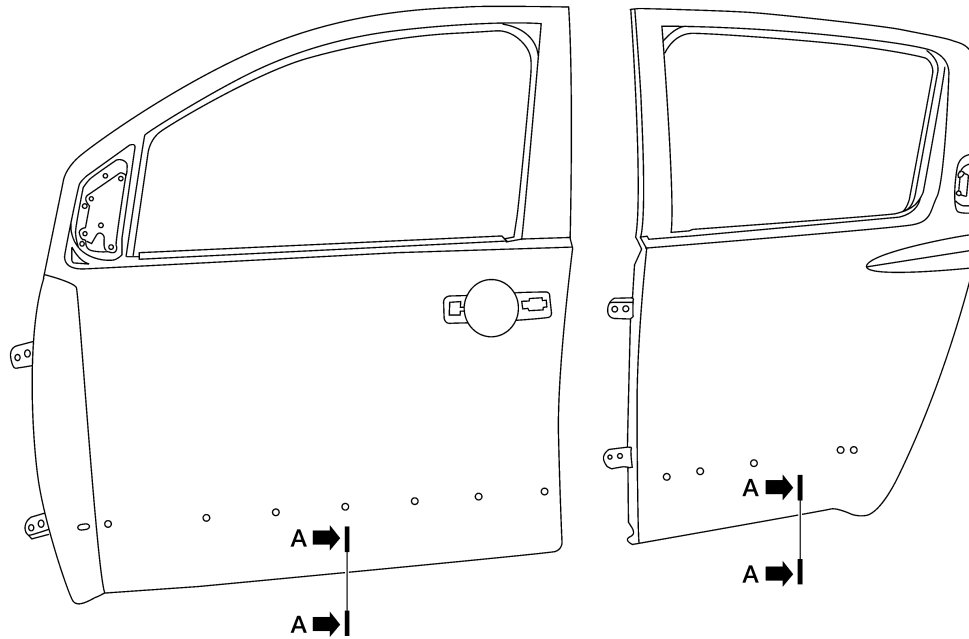
ANTI-CORROSIVE WAX



To improve corrosion resistance, anti-corrosive wax is applied inside the body sill and inside other closed sections. Accordingly, when replacing these parts, be sure to apply anti-corrosive wax to the appropriate areas of

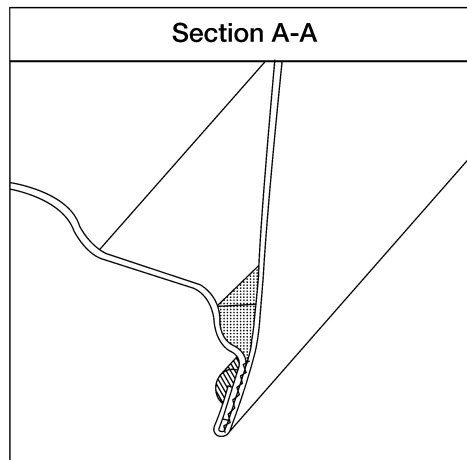
BODY REPAIR

< SERVICE INFORMATION >

the new parts. Select an excellent anti-corrosive wax which will penetrate after application and has a long shelf life.



 : Indicates outside body sealant
 : Indicates anti-corrosive wax coated portions



LI1A0905E

UNDERCOATING

The underside of the floor and wheelhouse are undercoated to prevent rust, vibration, noise and stone chipping. Therefore, when such a panel is replaced or repaired, apply undercoating to that part. Use an undercoating which is rust preventive, soundproof, vibration-proof, shock-resistant, adhesive, and durable.

Precautions in undercoating

1. Do not apply undercoating to any place unless specified (such as the areas above the muffler and three way catalyst which are subjected to heat).
2. Do not undercoat the exhaust pipe or other parts which become hot.
3. Do not undercoat rotating parts.

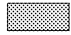
A
B
C
D
E
F
G
H
I
J
L
M
N
O
P

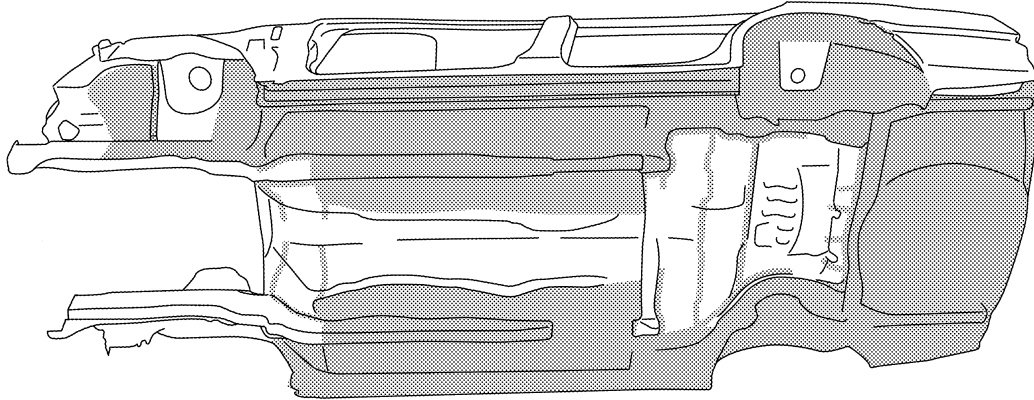
BRM

BODY REPAIR

< SERVICE INFORMATION >

4. Apply bitumen wax after applying undercoating.

 : Indicates undercoated portions.



LIIA0129E

INFOID:000000011289298

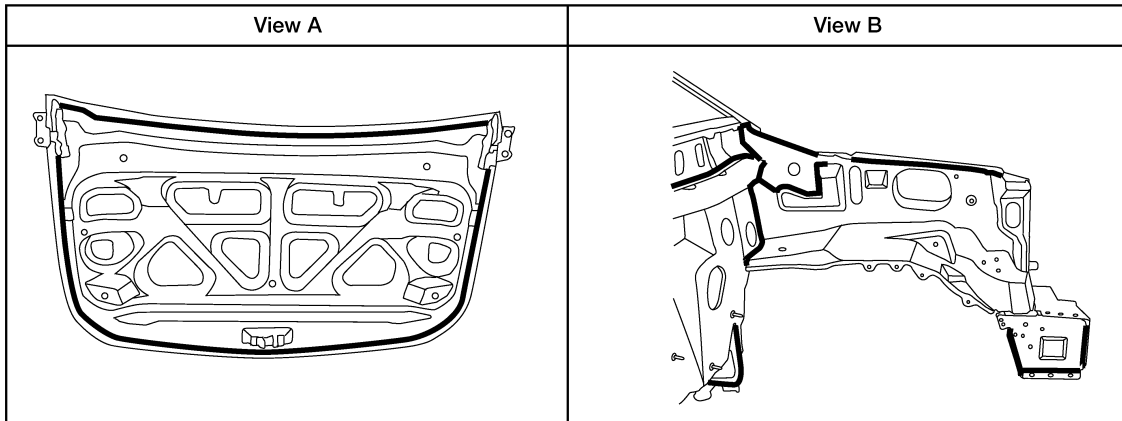
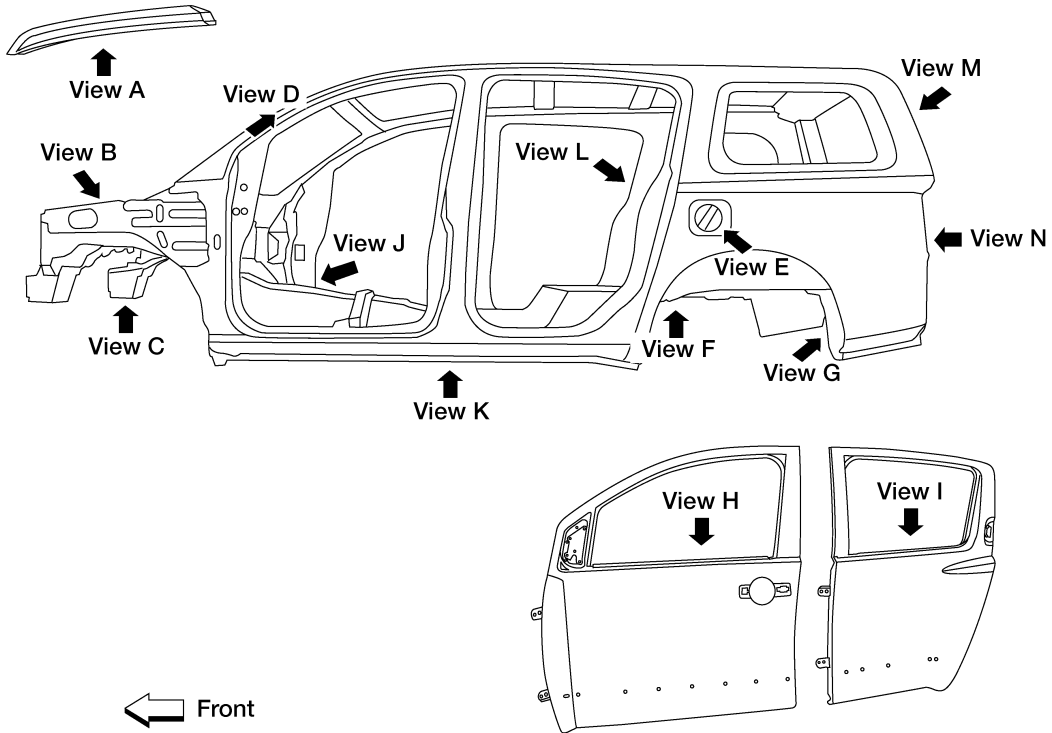
Body Sealing

DESCRIPTION

BODY REPAIR

< SERVICE INFORMATION >

The following figure shows the areas which are sealed at the factory. Sealant which has been applied to these areas should be smooth and free from cuts or gaps. Care should be taken not to apply an excess amount of sealant and not to allow other unaffected parts to come into contact with the sealant.



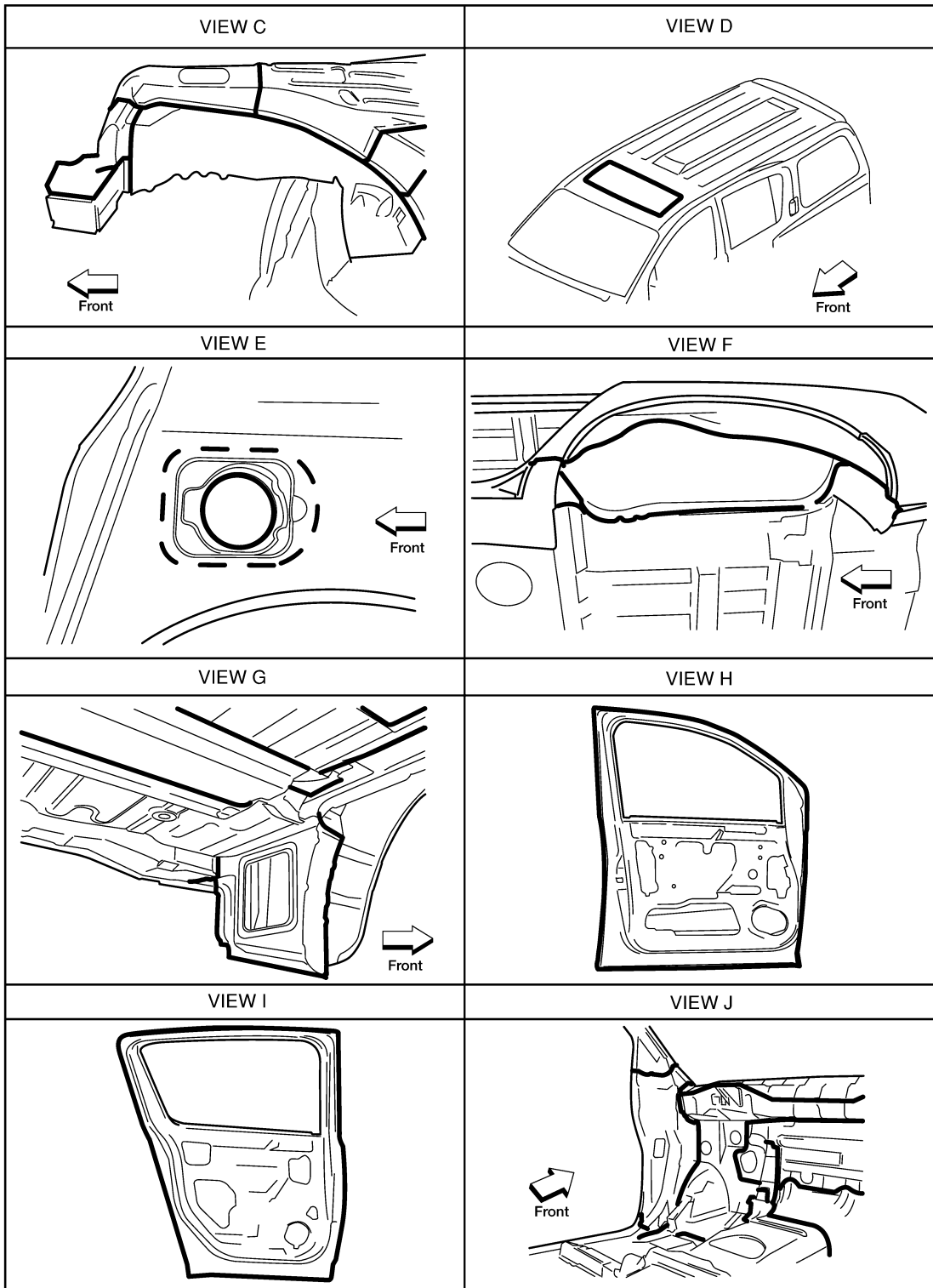
W11A0300E

A
B
C
D
E
F
G
H
I
J
L
M
N
O
P

BRM

BODY REPAIR

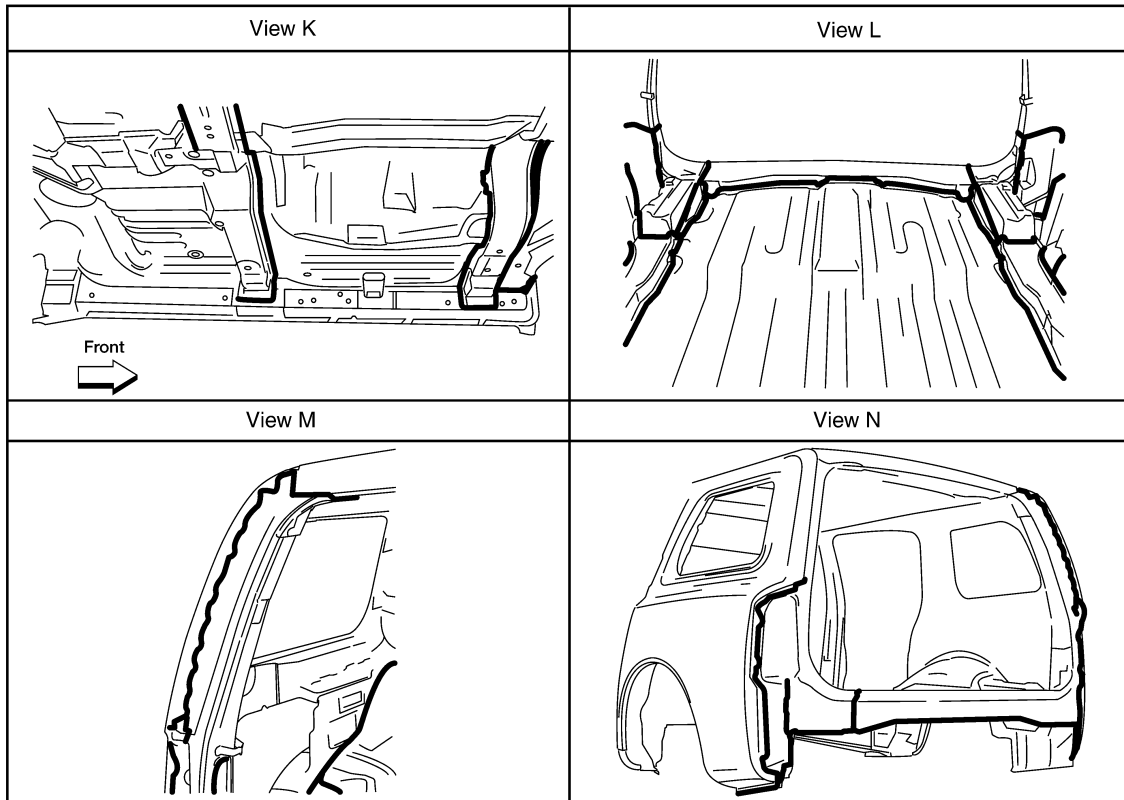
< SERVICE INFORMATION >



W1IA0278E

BODY REPAIR

< SERVICE INFORMATION >



A
B
C
D
E
F
G
H
I
J
L
M
N
O
P

BRM

LIIA0912E

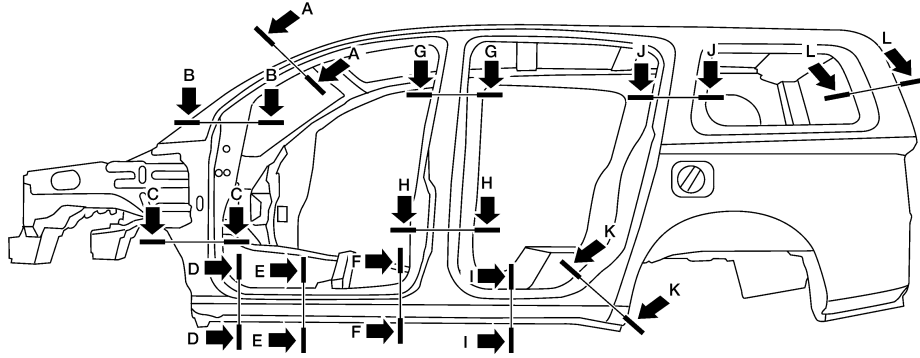
BODY REPAIR

< SERVICE INFORMATION >

Body Construction

INFOID:000000011289299

BODY CONSTRUCTION



Section A-A	Section B-B	Section C-C	Section D-D
Section E-E	Section F-F	Section G-G	Section H-H
Section I-I	Section J-J	Section K-K	Section L-L

LIIA1113E

Body Alignment

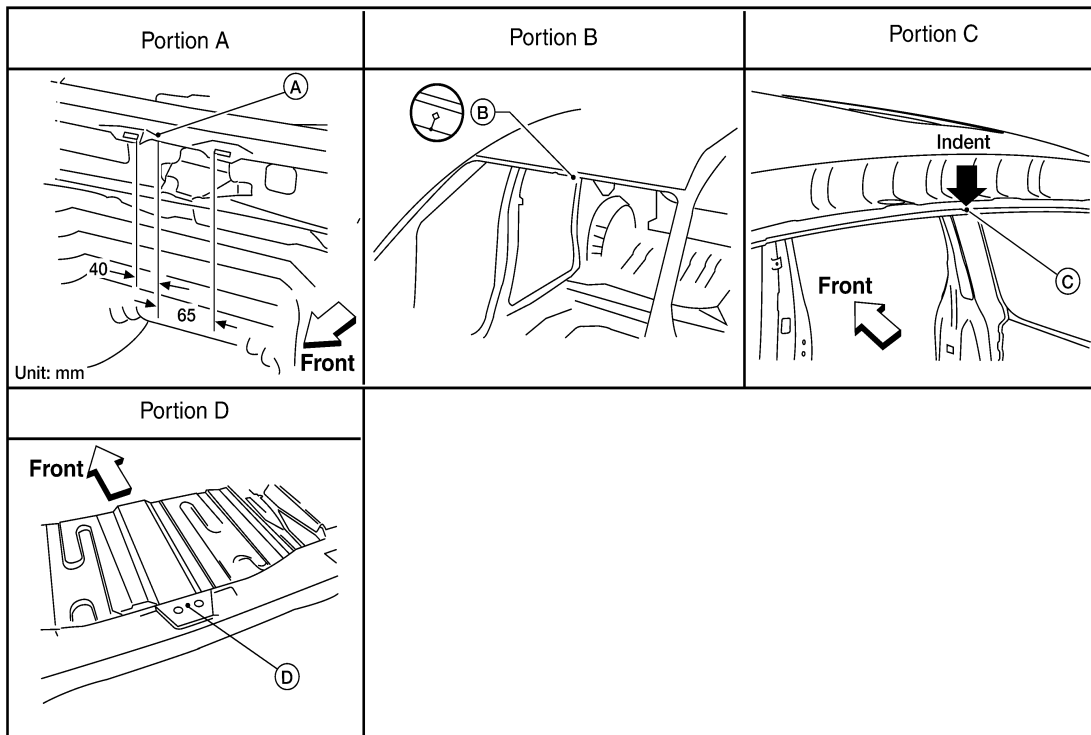
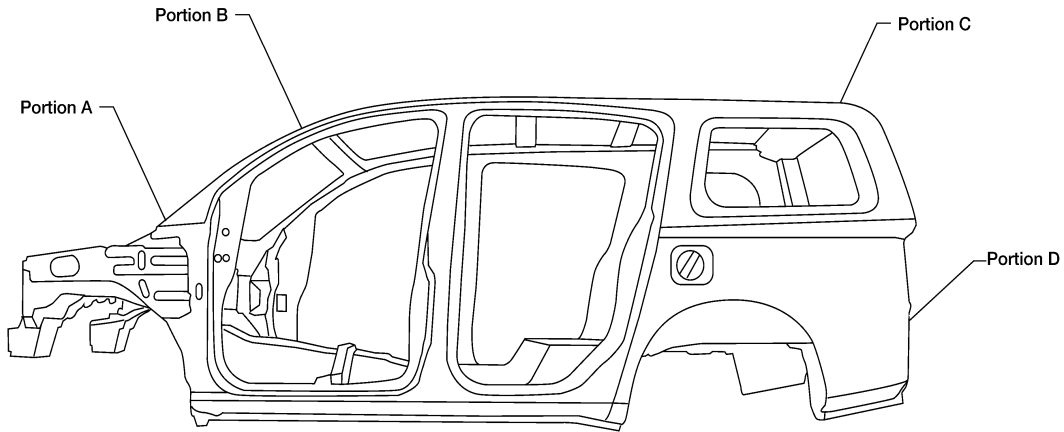
INFOID:000000011289300

BODY CENTER MARKS

BODY REPAIR

< SERVICE INFORMATION >

A mark has been placed on each part of the body to indicate the vehicle center. When repairing parts damaged by an accident which might affect the vehicle frame (members, pillars, etc.), more accurate and effective repair will be possible by using these marks together with body alignment specifications.



PANEL PARTS MATCHING MARKS

LI1A1440E

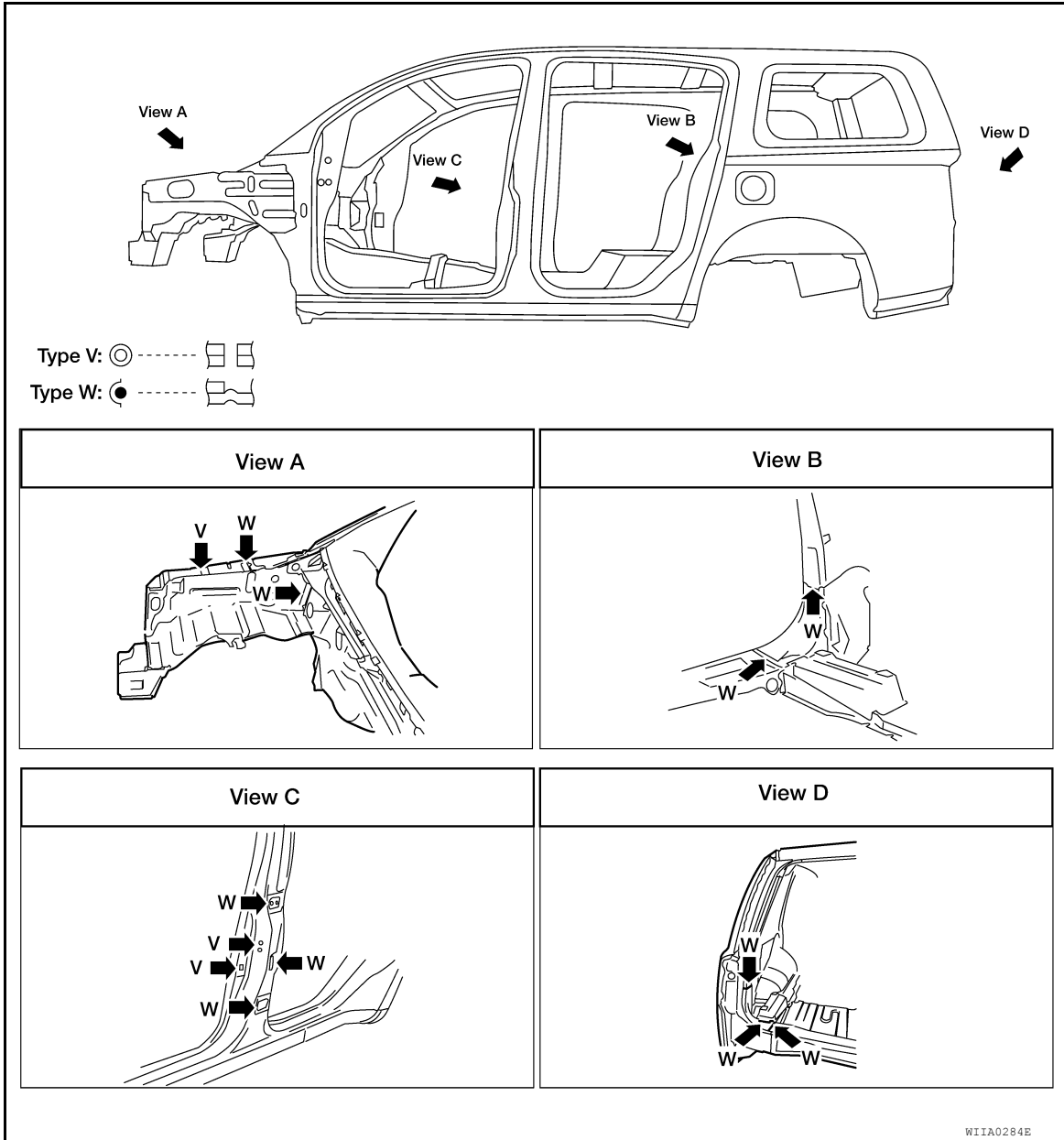
A
B
C
D
E
F
G
H
I
J
K
L
M
N
O
P

BRM

BODY REPAIR

< SERVICE INFORMATION >

A mark has been placed on each body panel to indicate the parts matching positions. When repairing parts damaged by an accident which might affect the vehicle structure (members, pillars, etc.), more accurate and effective repair will be possible by using these marks together with body alignment specifications.

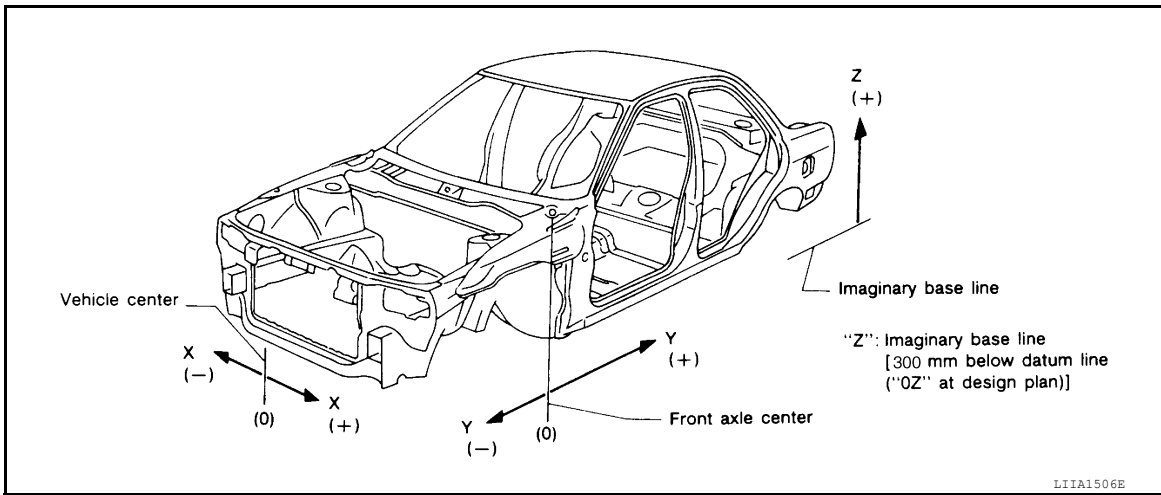


DESCRIPTION

- All dimensions indicated in the figures are actual.
- When using a tracking gauge, adjust both pointers to equal length. Then check the pointers and gauge itself to make sure there is no free play.
- When a measuring tape is used, check to be sure there is no elongation, twisting or bending.
- Measurements should be taken at the center of the mounting holes.
- An asterisk (*) following the value at the measuring point indicates that the measuring point on the other side is symmetrically the same value.
- The coordinates of the measurement points are the distances measured from the standard line of "X", "Y" and "Z".

BODY REPAIR

< SERVICE INFORMATION >



Engine Compartment

A
B
C
D
E
F
G
H
I
J
L
M
N
O
P

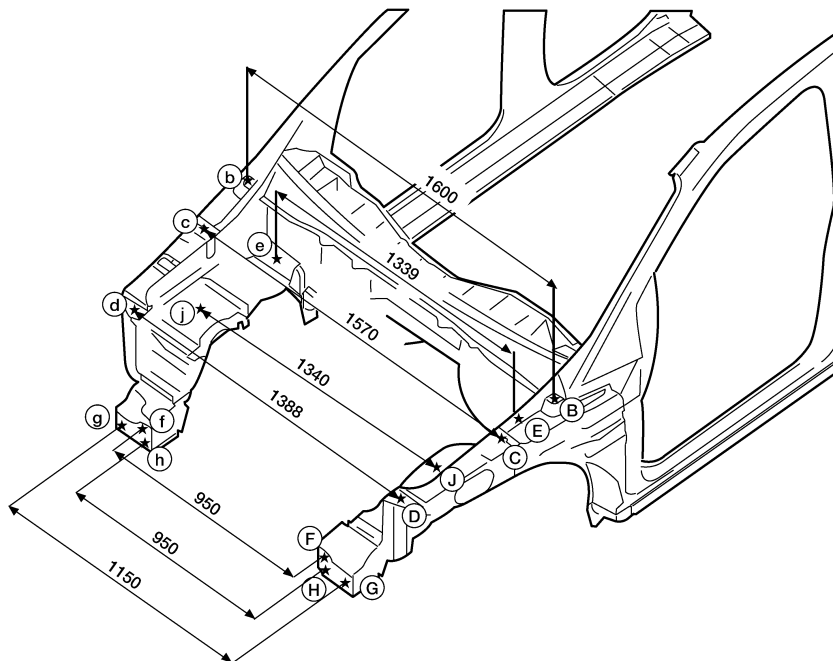
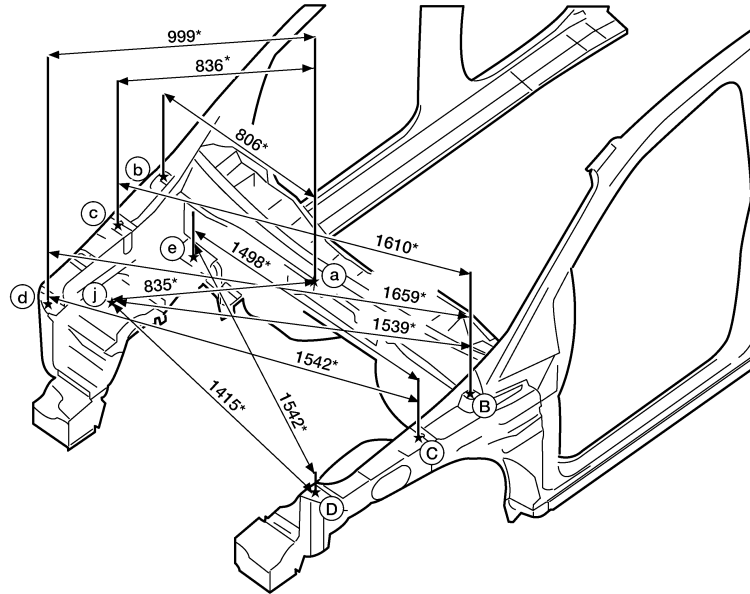
BRM

BODY REPAIR

< SERVICE INFORMATION >

MEASUREMENT

Figures marked with a (*) indicate symmetrically identical dimensions on both right and left hand sides of the vehicle.



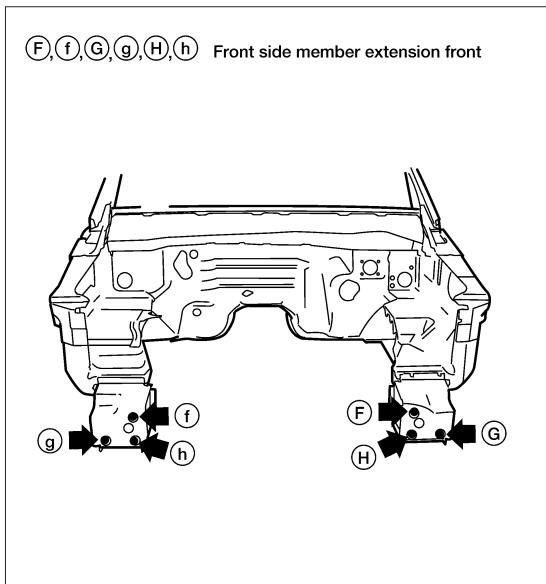
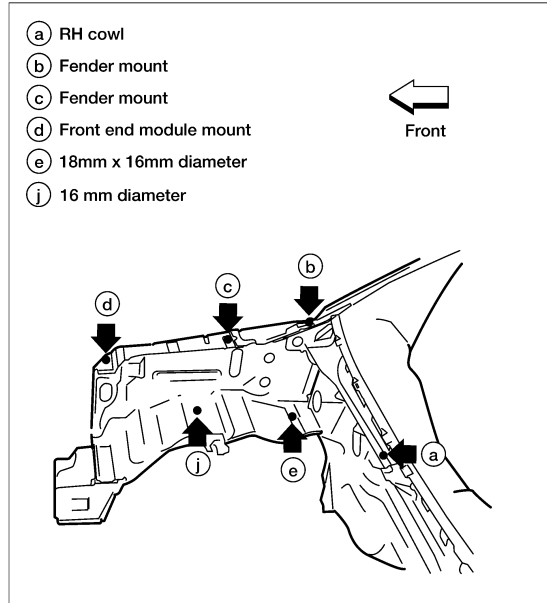
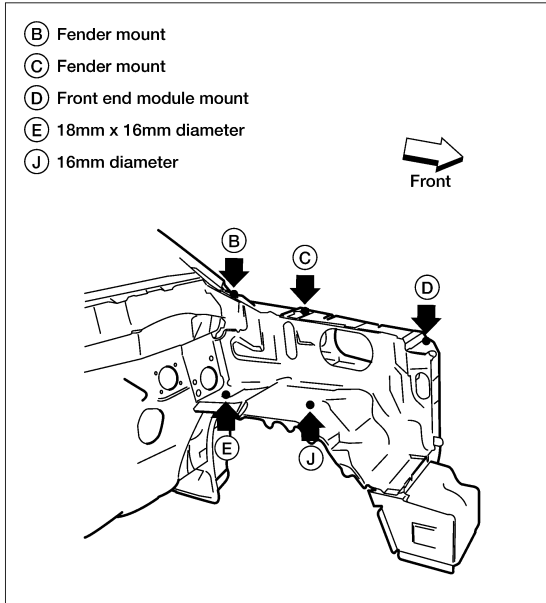
Unit: mm

AWIIA1088GB

BODY REPAIR

< SERVICE INFORMATION >

MEASUREMENT POINTS



A
B
C
D
E
F
G
H
I
J
BRM
L
M
N
O
P

Underbody

WIIA0279E

BODY REPAIR

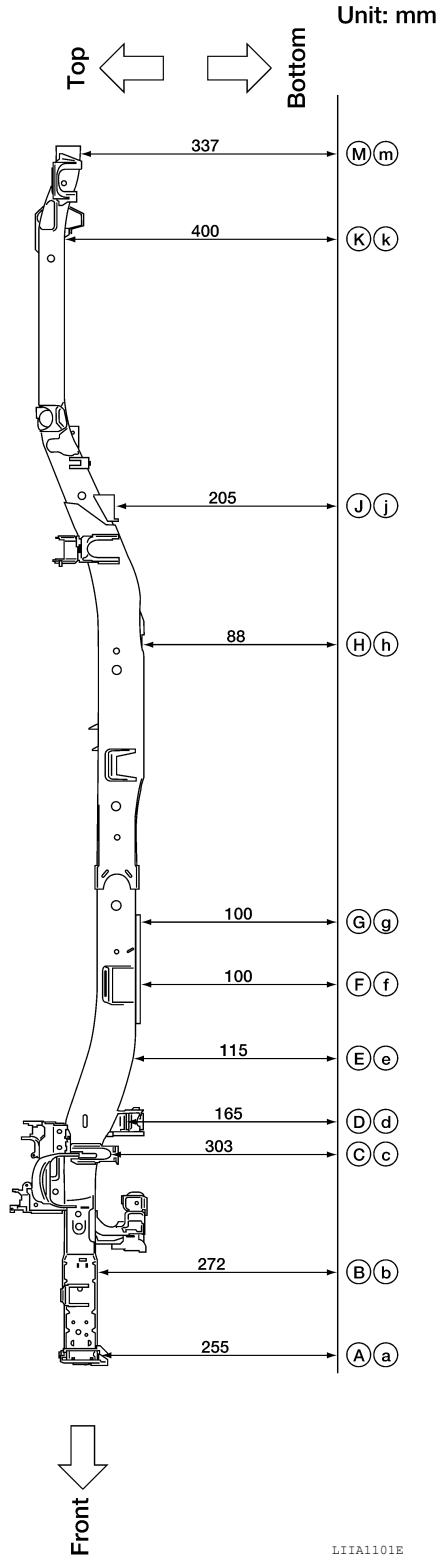
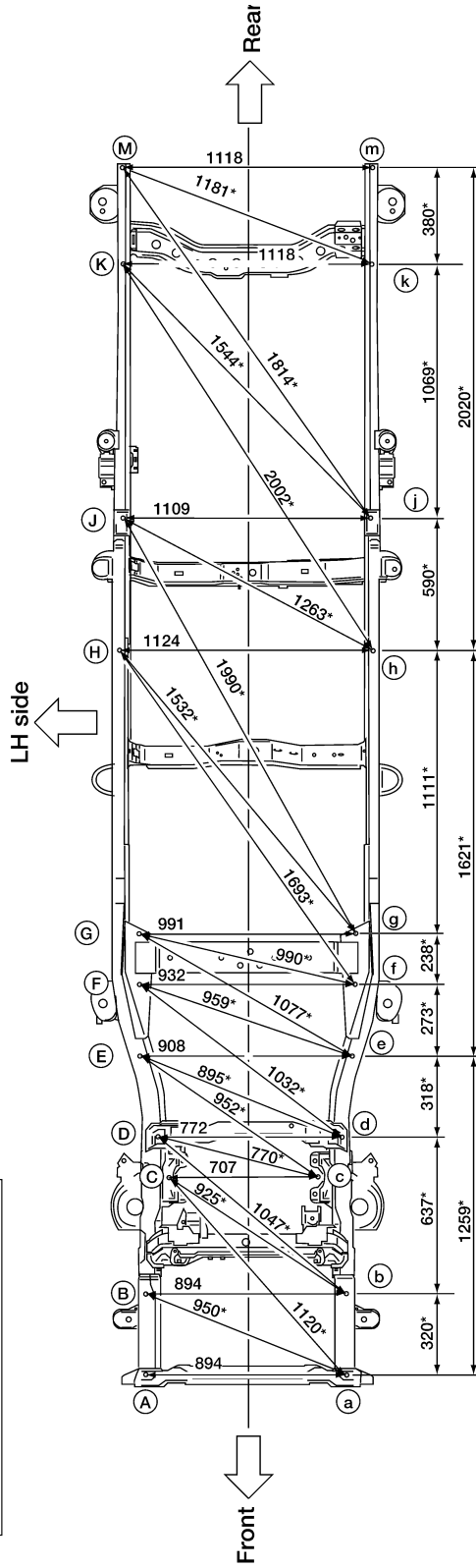
< SERVICE INFORMATION >

MEASUREMENT

Figures marked with a (*) indicate symmetrically identical dimensions on both right and left hand sides of the vehicle.

As viewed from underside.

All dimensions indicated in this figure are actual.

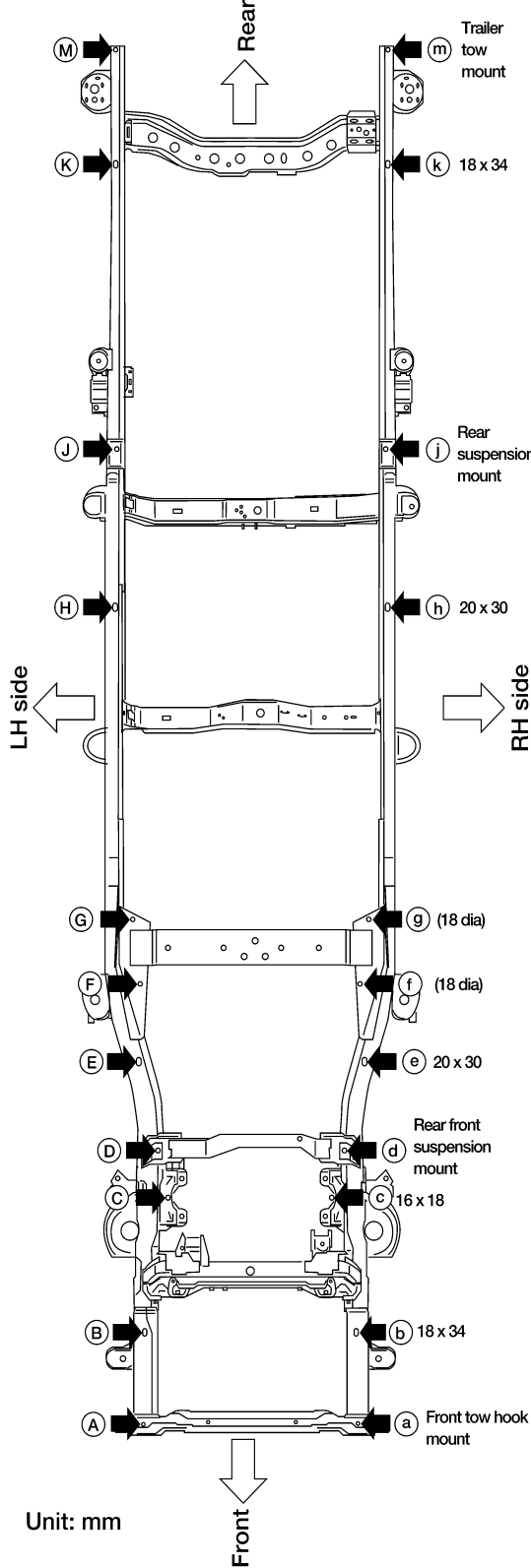


L1IA1101E

BODY REPAIR

< SERVICE INFORMATION >

MEASUREMENT POINTS



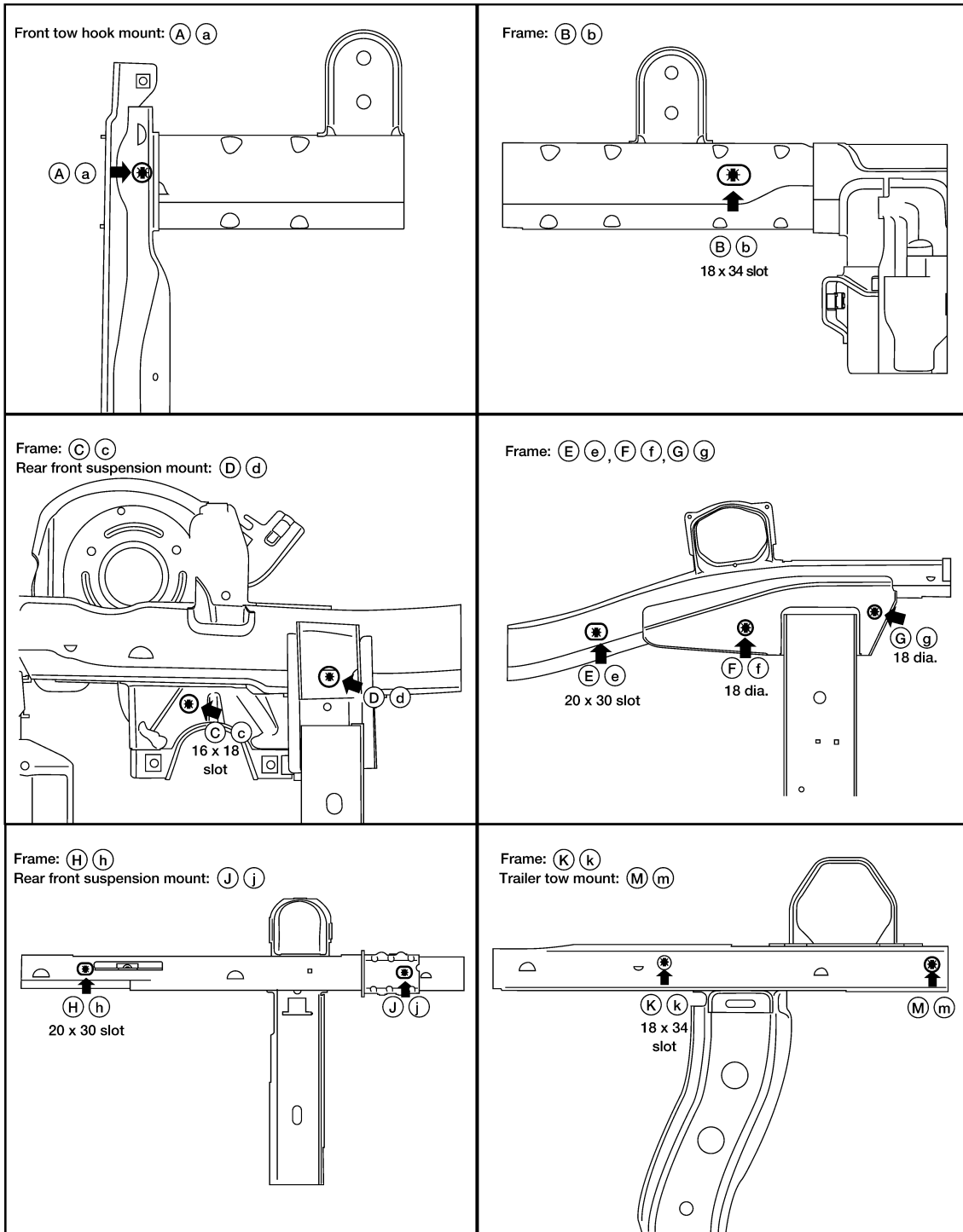
Coordinates:

- (A), (a)
X : ± 447
Y : -747
Z : 255
- (B), (b)
X : ± 447
Y : -427
Z : 272
- (C), (c)
X : ± 353
Y : 35
Z : 303
- (D), (d)
X : ± 386
Y : 198
Z : 165
- (E), (e)
X : ± 454
Y : 504
Z : 115
- (F), (f)
X : ± 466
Y : 777
Z : 100
- (G), (g)
X : ± 495
Y : 1013
Z : 100
- (H), (h)
X : ± 562
Y : 2122
Z : 88
- (J), (j)
X : ± 555
Y : 2700
Z : 205
- (K), (k)
X : ± 559
Y : 3751
Z : 400
- (M), (m)
X : ± 559
Y : 4126
Z : 337

A
B
C
D
E
F
G
H
I
J
BRM
L
M
N
O
P

BODY REPAIR

< SERVICE INFORMATION >



Coordinates:		(A a)	(B b)	(C c)	(D d)	(E e)	(F f)	(G g)	(H h)	(J j)	(K k)	(M m)
X :	±	447	447	353	386	454	466	495	562	555	559	559
Y :		-747	-427	35	198	504	777	1013	2122	2700	3751	4126
Z :		255	272	303	165	115	100	100	88	205	400	337

Unit: mm

L11A1509E

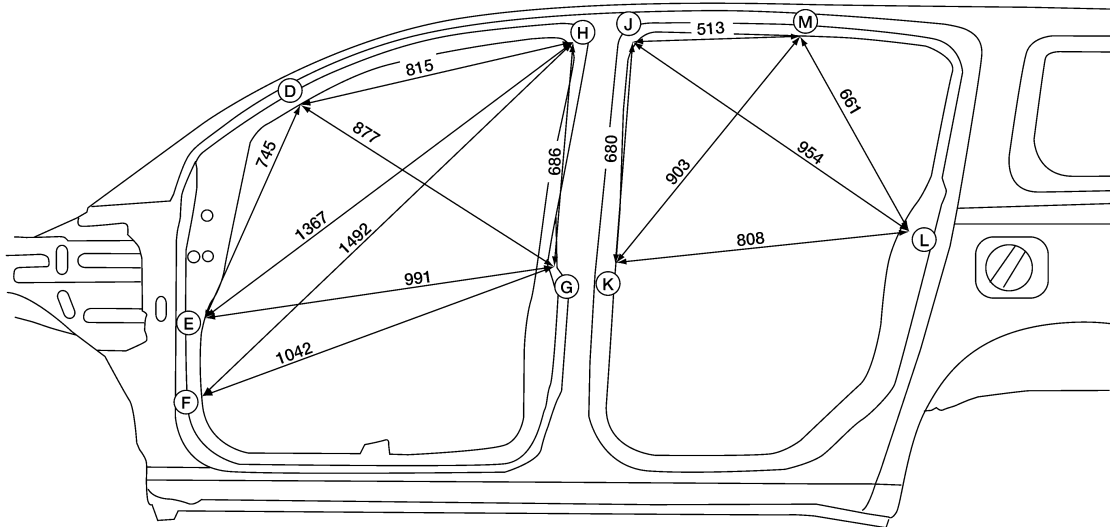
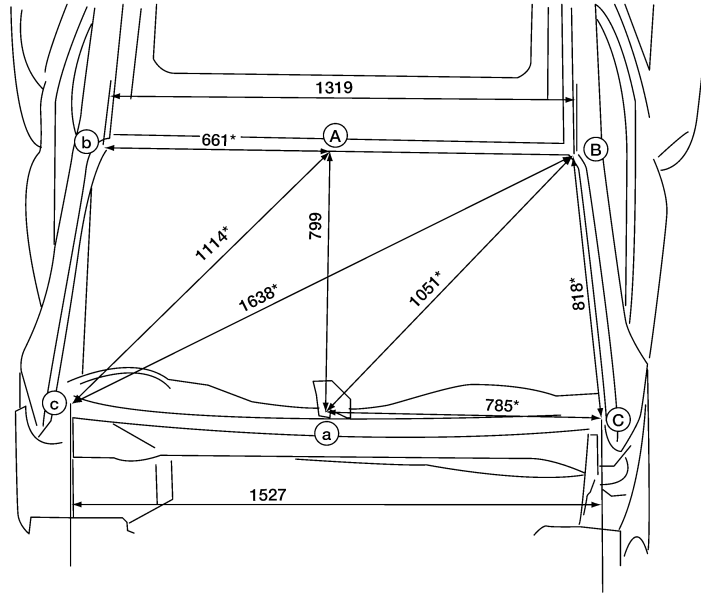
Passenger Compartment

BODY REPAIR

< SERVICE INFORMATION >

MEASUREMENT

Figures marked with a (*) indicate symmetrically identical dimensions on both right and left hand sides of the vehicle.



Unit: mm

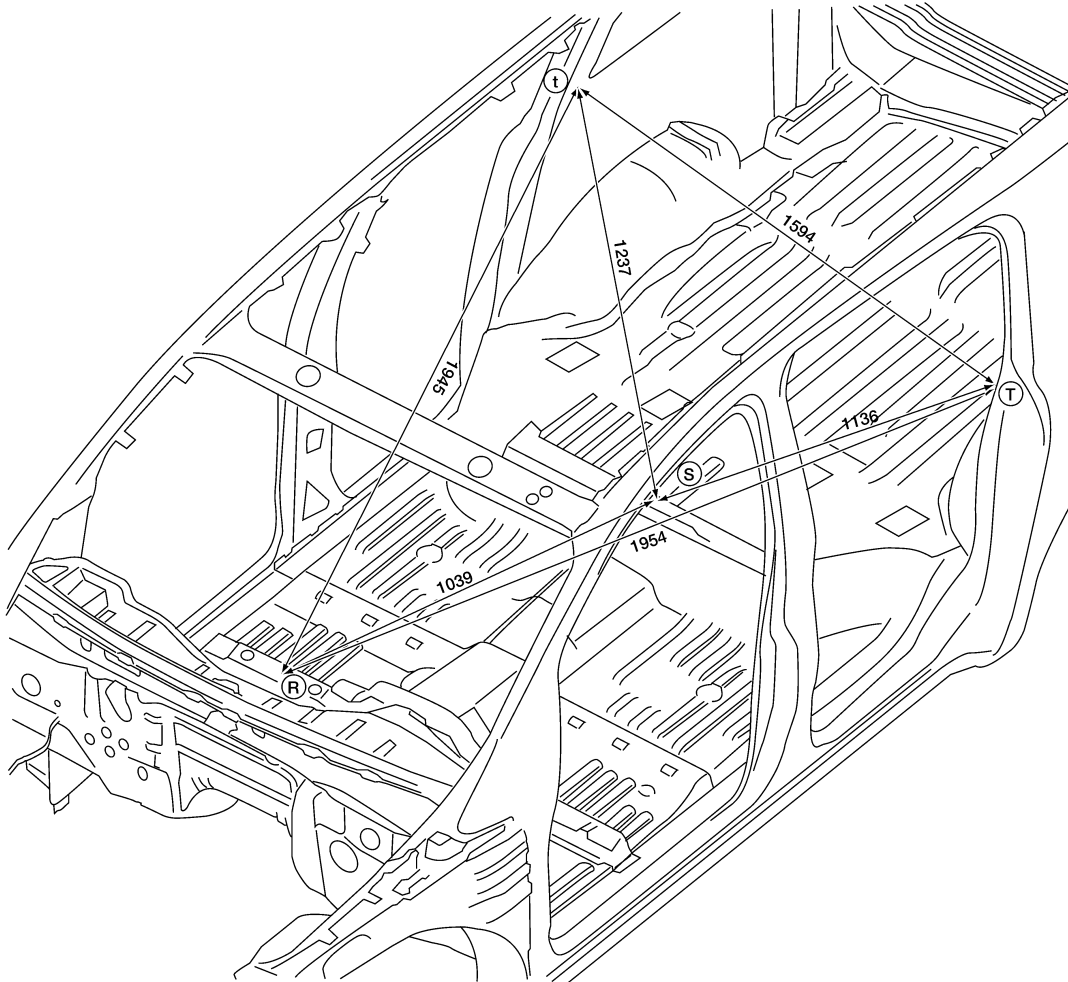
L11A1510E

A
B
C
D
E
F
G
H
I
J
L
M
N
O
P

BRM

BODY REPAIR

< SERVICE INFORMATION >



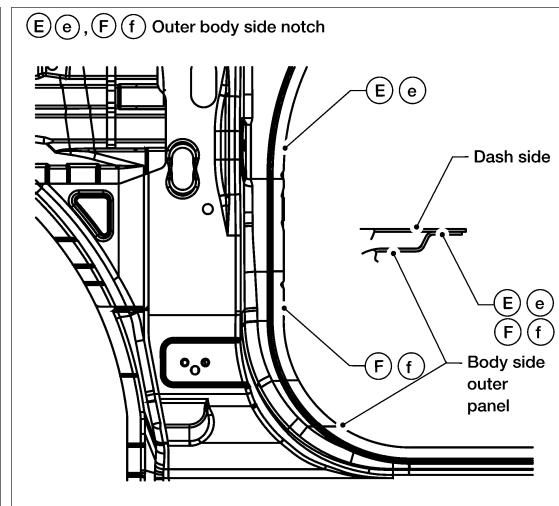
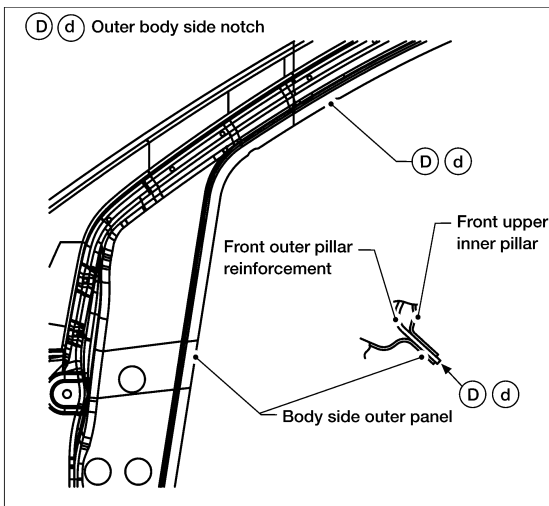
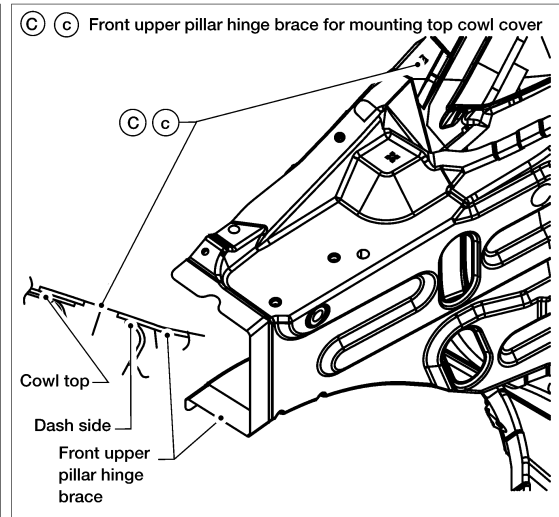
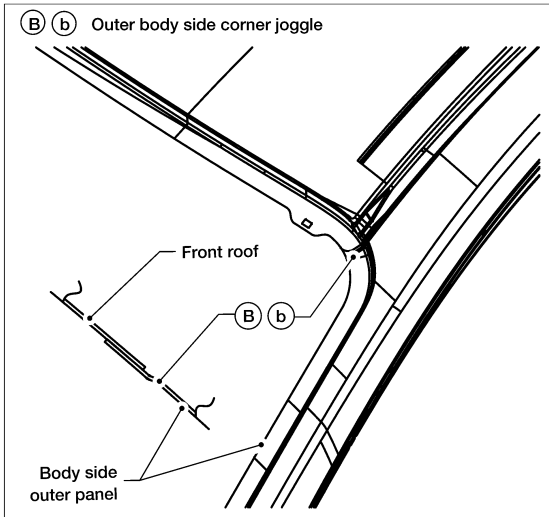
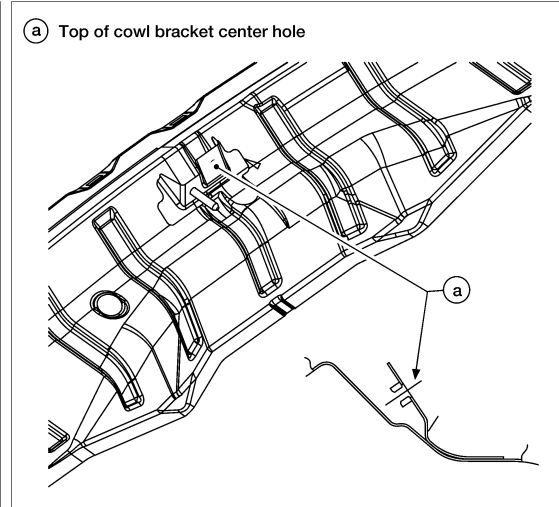
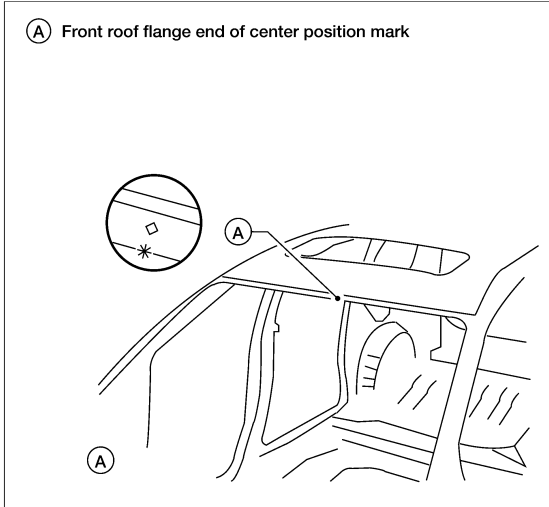
Unit : mm

LIIA1105E

BODY REPAIR

< SERVICE INFORMATION >

MEASUREMENT POINTS



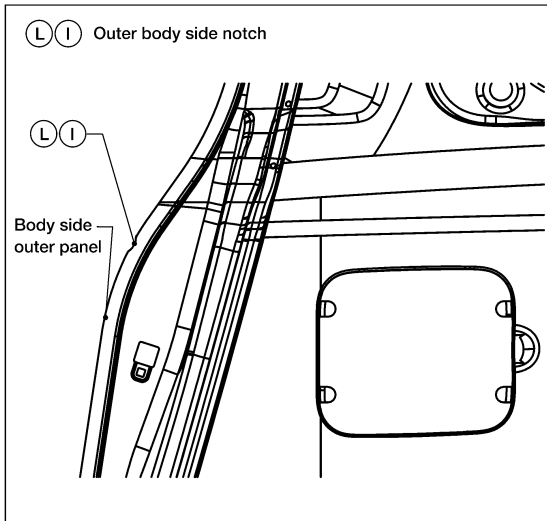
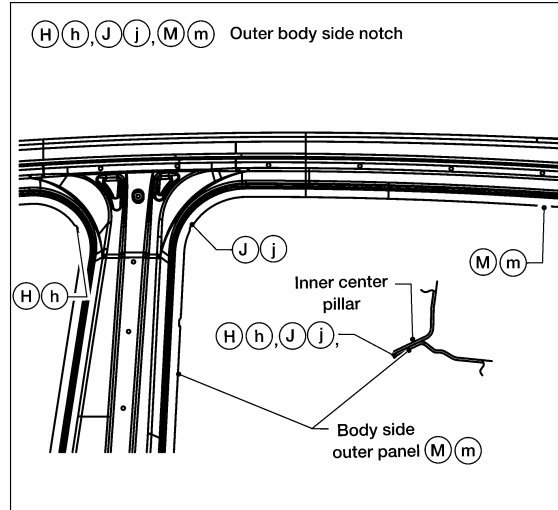
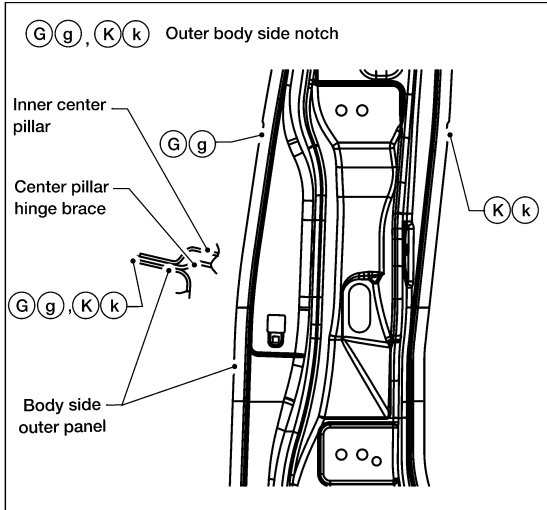
LIIA1103E

A
B
C
D
E
F
G
H
I
J
K
L
M
N
O
P

BRM

BODY REPAIR

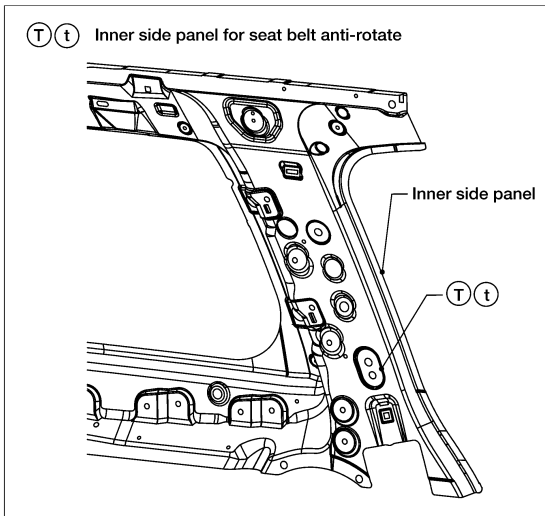
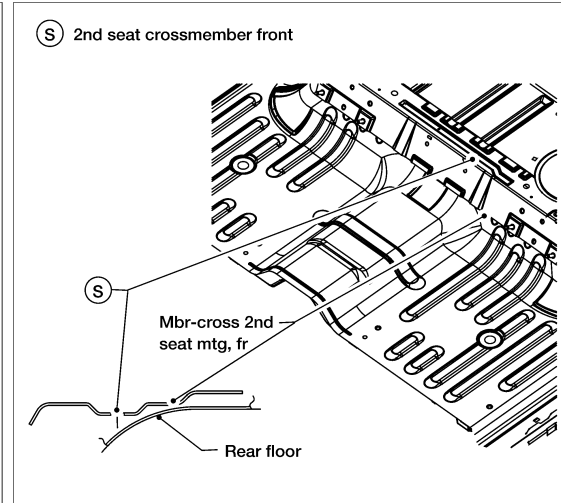
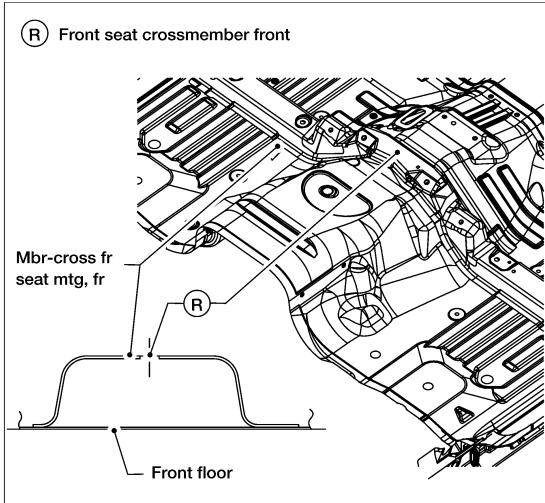
< SERVICE INFORMATION >



AWI1A1090GB

BODY REPAIR

< SERVICE INFORMATION >



A
B
C
D
E
F
G
H
I
J
L
M
N
O
P

BRM

Rear Body

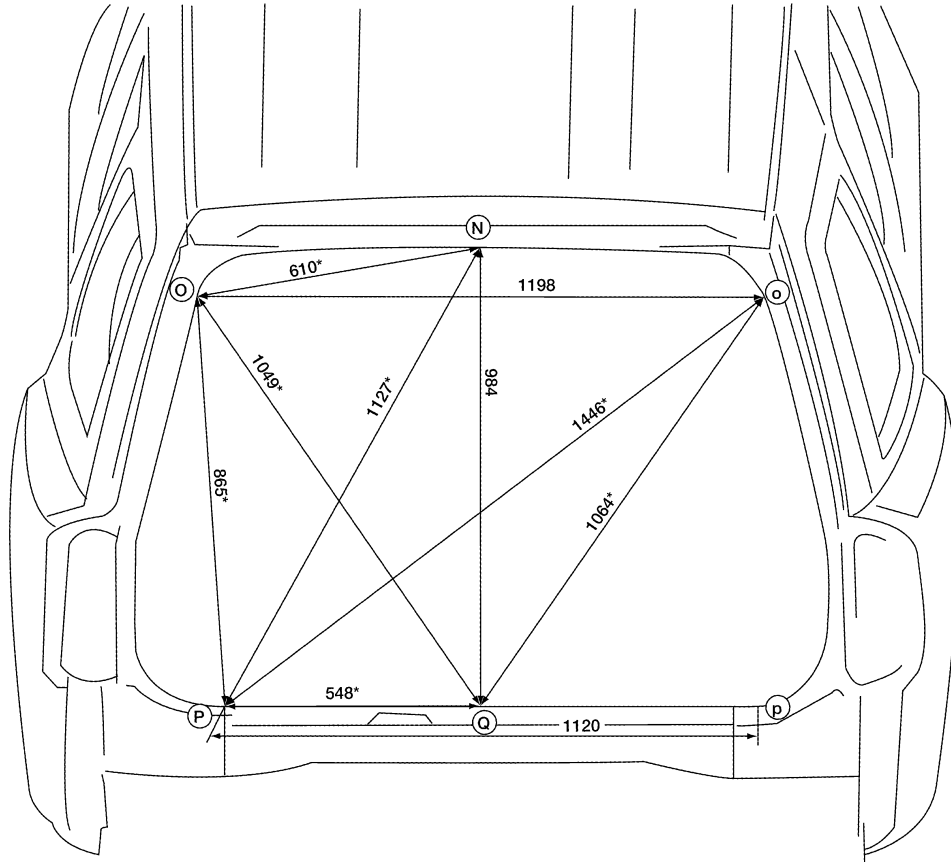
LIIA1106E

BODY REPAIR

< SERVICE INFORMATION >

MEASUREMENT

Figures marked with a (*) indicate symmetrically identical dimensions on both right and left hand sides of the vehicle.



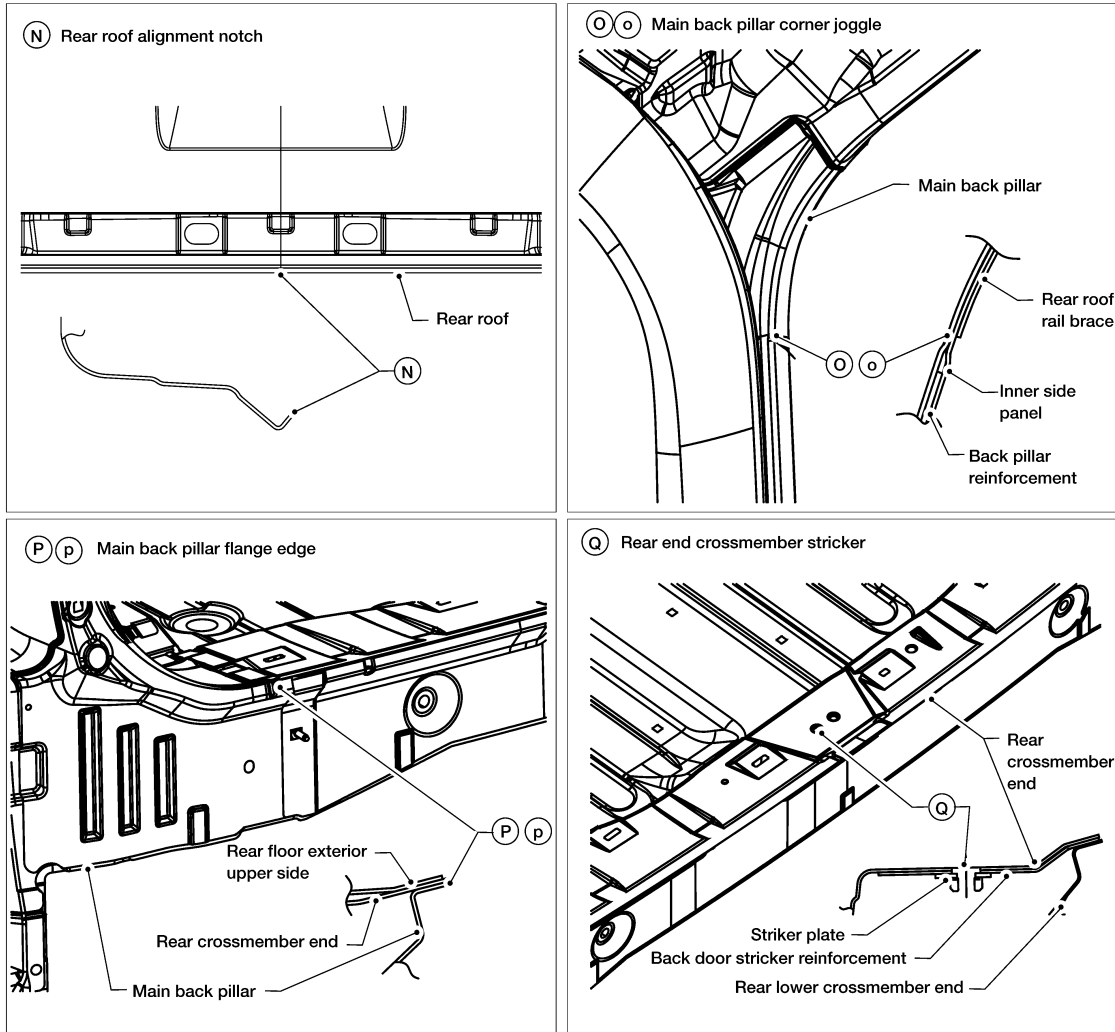
Unit: mm

L1IA1511E

BODY REPAIR

< SERVICE INFORMATION >

MEASUREMENT POINTS



A
B
C
D
E
F
G
H
I
J

BRM

L
M
N
O
P

L1IA1107E

INFOID:000000011289301

Replacement Operation

DESCRIPTION

This section is prepared for technicians who have attained a high level of skill and experience in repairing collision-damaged vehicles and also use modern service tools and equipment. Persons unfamiliar with body repair techniques should not attempt to repair collision-damaged vehicles by using this section.


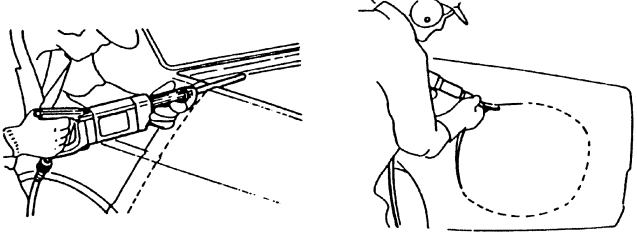
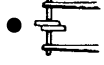
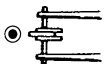

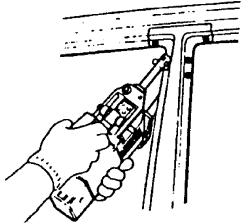
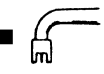

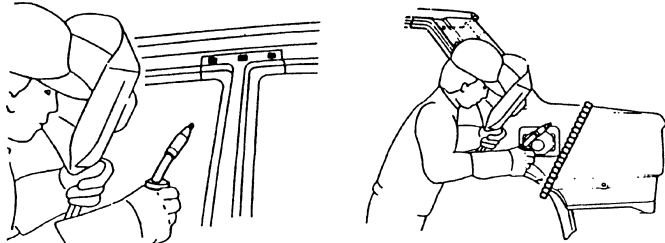
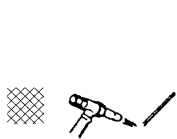
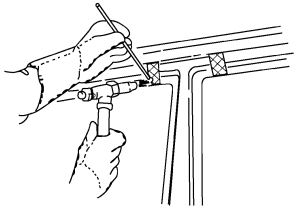
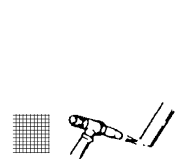
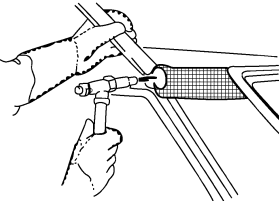
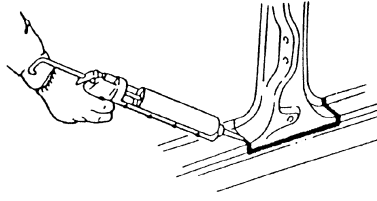
BODY REPAIR

< SERVICE INFORMATION >

Technicians are also encouraged to read Body Repair Manual (Fundamentals) in order to ensure that the original functions and quality of the vehicle can be maintained. The Body Repair Manual (Fundamentals) contains additional information, including cautions and warnings, that are not including in this manual. Technicians should refer to both manuals to ensure proper repairs.

Please note that this information is prepared for worldwide usage, and as such, certain procedures may not apply in some regions or countries.

The symbols used in this section for cutting and welding / brazing operations are shown below.

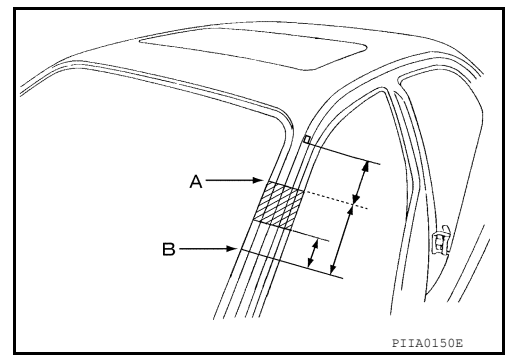
 <p>Saw cut or air chisel cut</p>	
<p>Spot weld</p> <p>●●●● 2-spot welds</p>  <p>●●●● 3-spot welds</p> 	<p>2-spot welds (2-panel overlapping portions)</p>  <p>3-spot welds (3-panel overlapping portions)</p> 
<p>■ ■ ■ ■ MIG plug weld</p>  <p>⌚ ⌚ ⌚ MIG seam weld/ Point weld</p> 	
<p>⌘ ⌘ ⌘ Brazing</p> 	
<p>⌘ ⌘ ⌘ Soldering</p> 	
<p>— Sealing</p>	

PIIA0149E

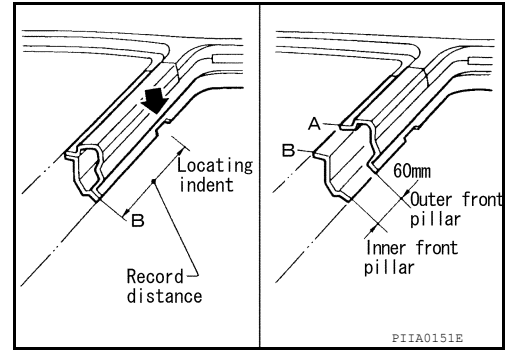
BODY REPAIR

< SERVICE INFORMATION >

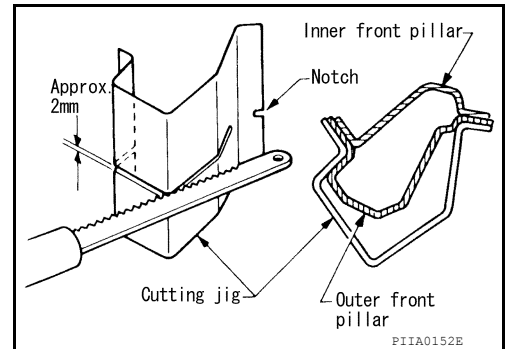
- Front pillar butt joint can be determined anywhere within shaded area as shown in the figure. The best location for the butt joint is at position A due to the construction of the vehicle. Refer to the front pillar section.



- Determine cutting position and record distance from the locating indent. Use this distance when cutting the service part. Cut outer front pillar over 60 mm above inner front pillar cut position.

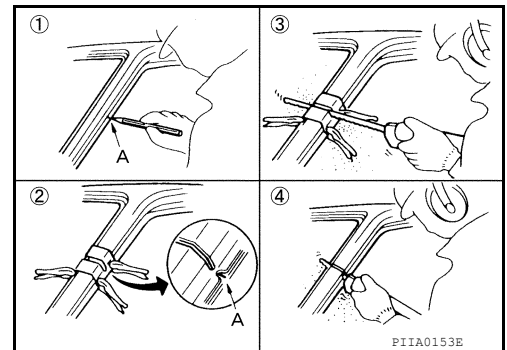


- Prepare a cutting jig to make outer pillar easier to cut. Also, this will permit service part to be accurately cut at joint position.



- An example of cutting operation using a cutting jig is as follows.

1. Mark cutting lines.
A: Cut position of outer pillar
B: Cut position of inner pillar
2. Align cutting line with notch on jig. Clamp jig to pillar.
3. Cut outer pillar along groove of jig. (At position A)
4. Remove jig and cut remaining portions.
5. Cut inner pillar at position B in same manner.



HOODLEDGE

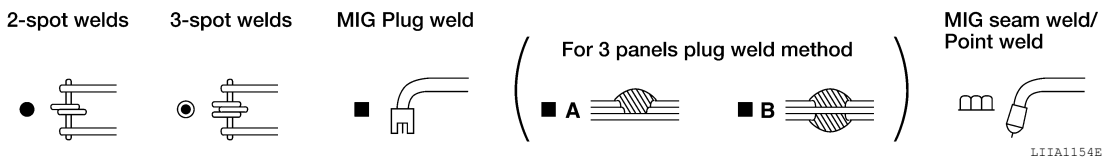
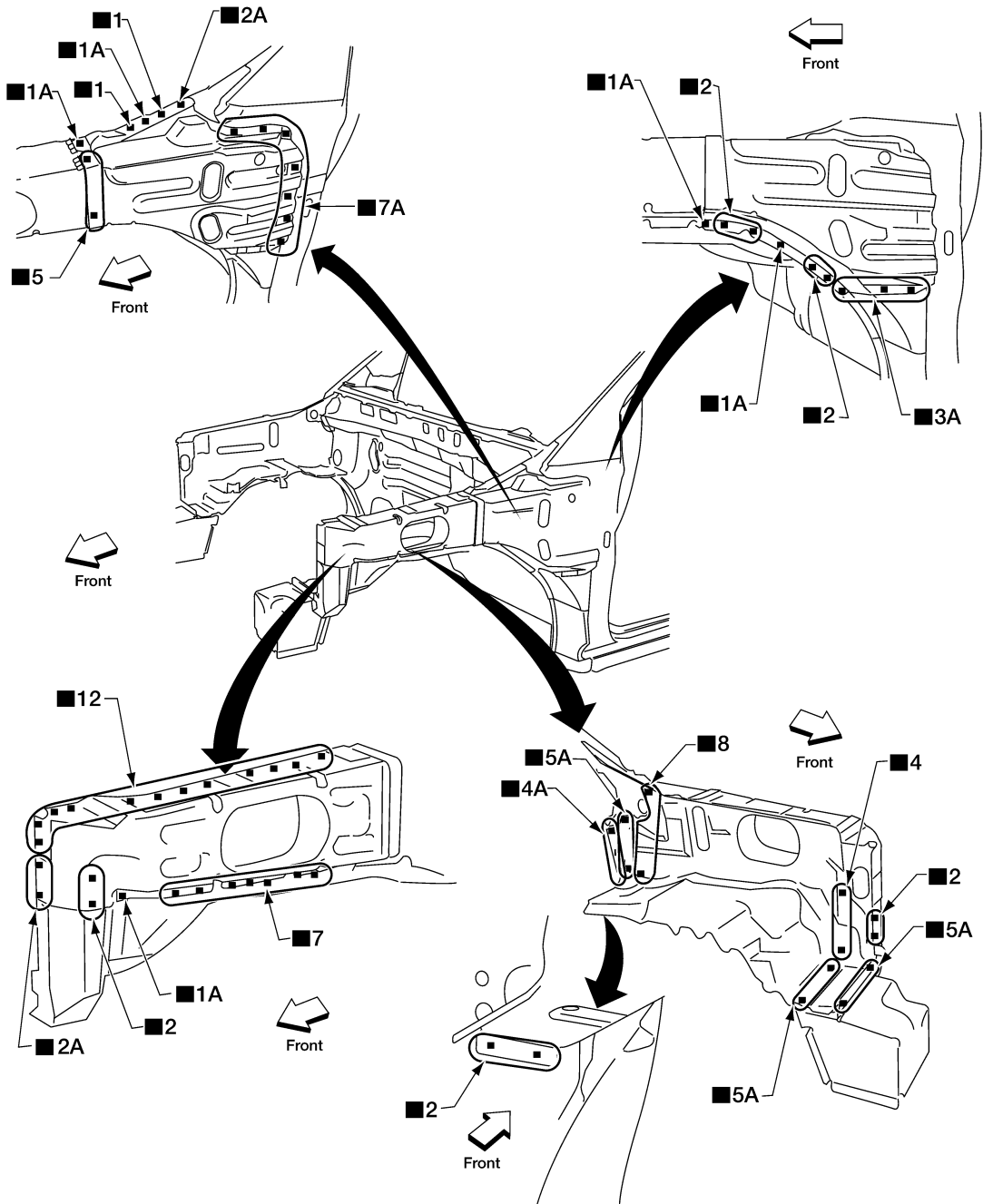
A
B
C
D
E
F
G
H
I
J
BRM
L
M
N
O
P

BODY REPAIR

< SERVICE INFORMATION >

- Work after radiator core support has been removed.

Service Joint



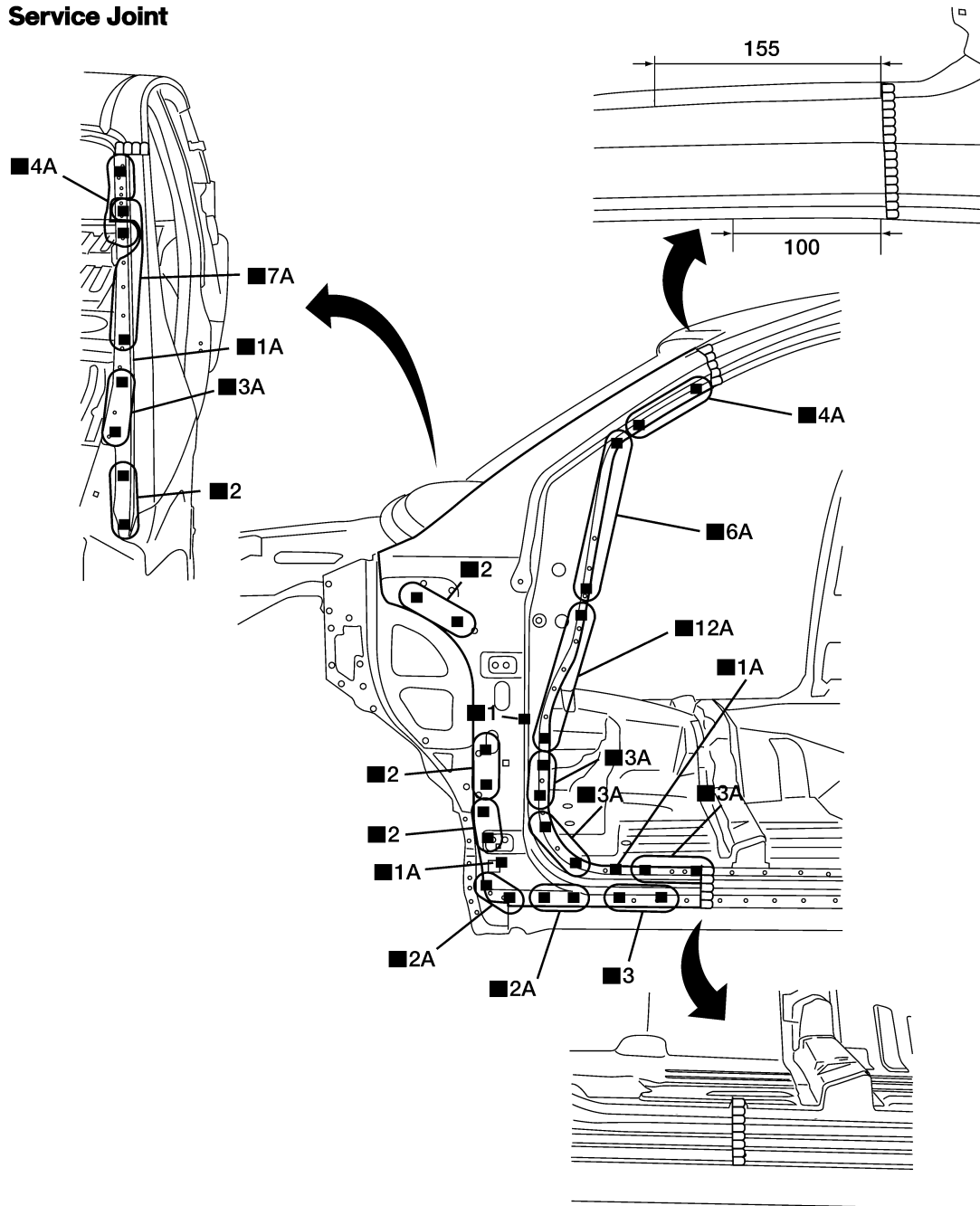
FRONT PILLAR

BODY REPAIR

< SERVICE INFORMATION >

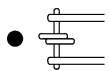
- Work after rear hoodledge reinforcement has been removed.

Service Joint

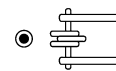


Unit : mm

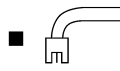
2-spot welds



3-spot welds



MIG Plug weld



For 3 panels plug weld method



MIG seam weld/
Point weld



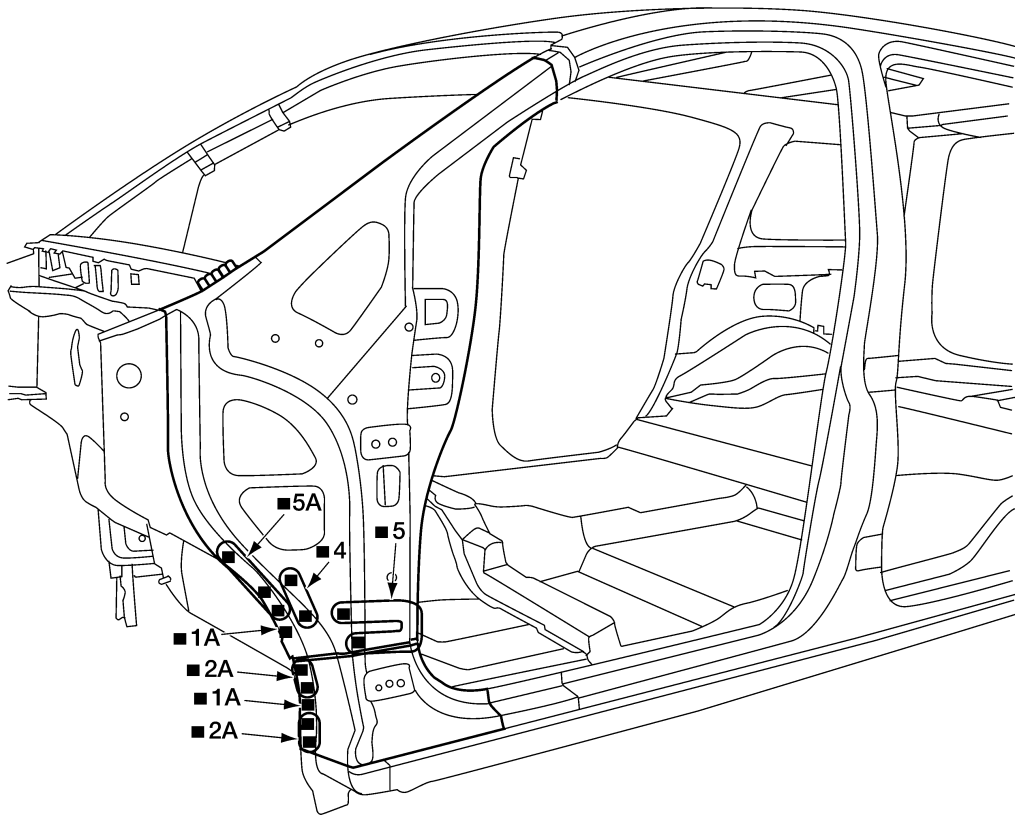
L1IA1108E

A
B
C
D
E
F
G
H
I
J
BRM
L
M
N
O
P

BODY REPAIR

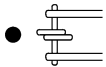
< SERVICE INFORMATION >

Service Joint

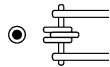


Unit : mm

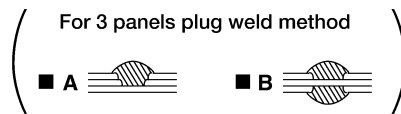
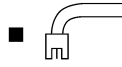
2-spot welds



3-spot welds



MIG Plug weld



MIG seam weld/
Point weld

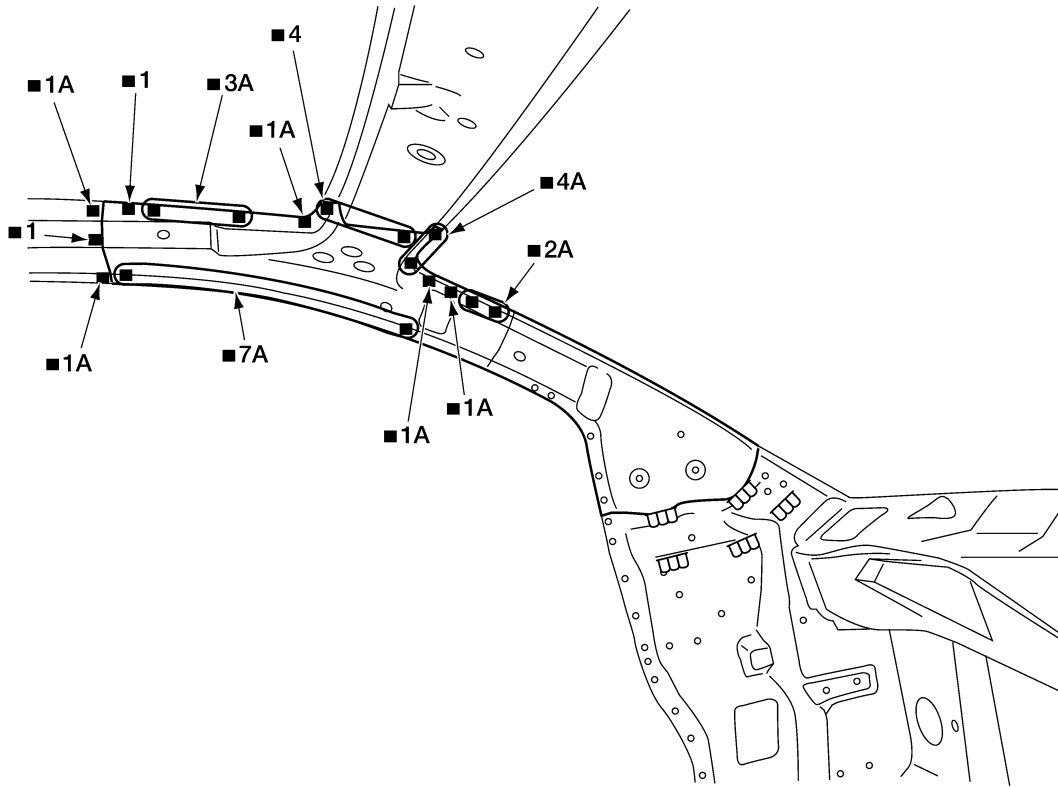


LIIA1109E

BODY REPAIR

< SERVICE INFORMATION >

Service Joint



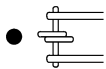
A
B
C
D
E
F
G
H
I
J

BRM

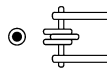
L
M
N
O
P

Unit : mm

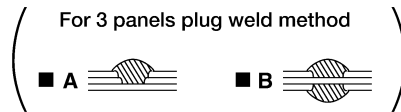
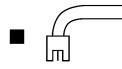
2-spot welds



3-spot welds



MIG Plug weld



MIG seam weld/
Point weld



LIIA1110E

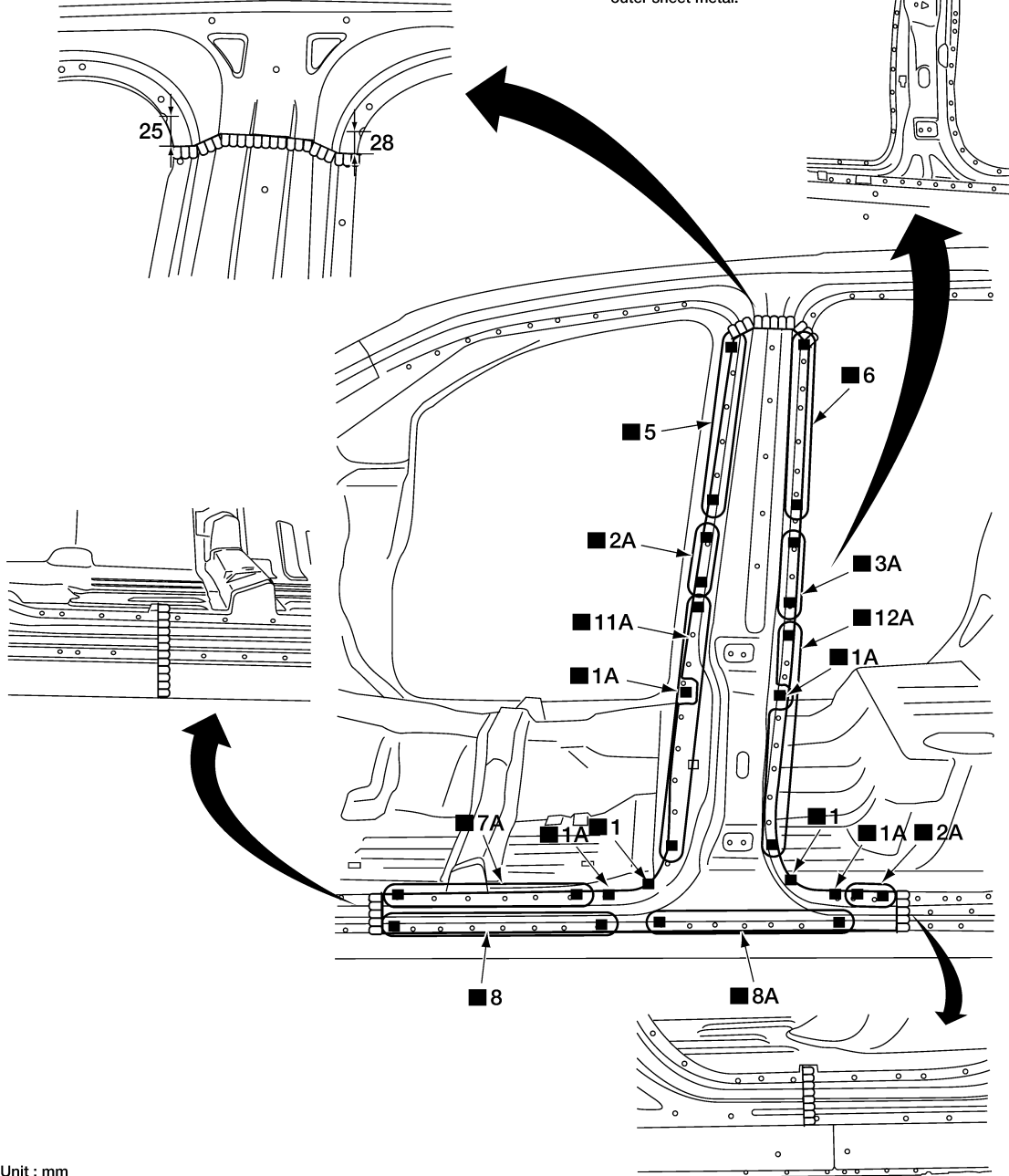
BODY REPAIR

< SERVICE INFORMATION >

CENTER PILLAR

Service Joint

* Reinforcement is retained with the same welds as the b-pillar outer sheet metal.



Unit : mm

2-spot welds

3-spot welds

MIG Plug weld

For 3 panels plug weld method

MIG seam weld/
Point weld

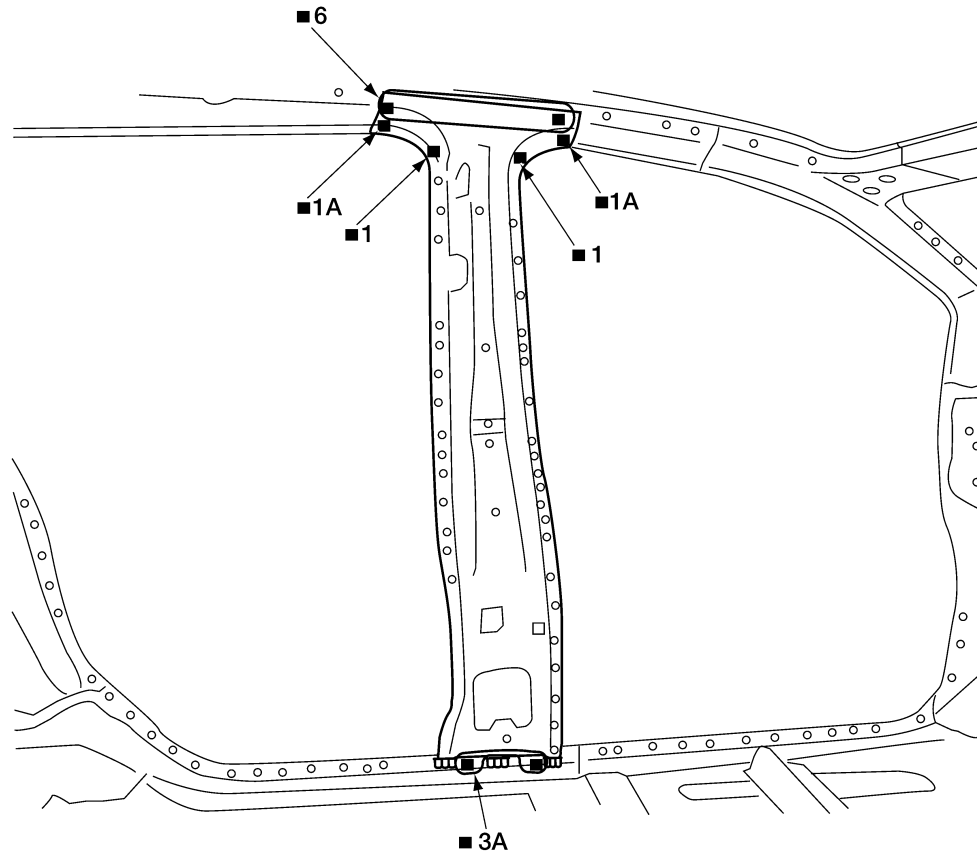


L1IA111E

BODY REPAIR

< SERVICE INFORMATION >

Service Joint

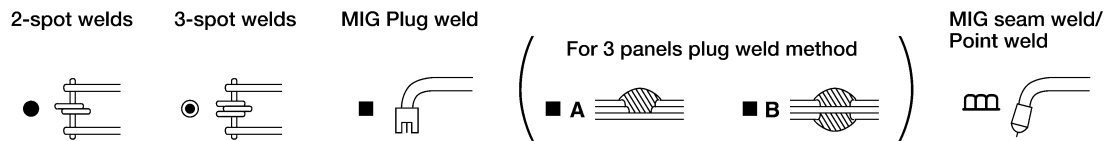


A
B
C
D
E
F
G
H
I
J

BRM

L
M
N
O
P

Unit : mm



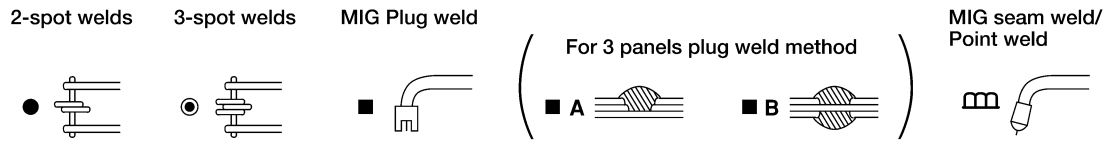
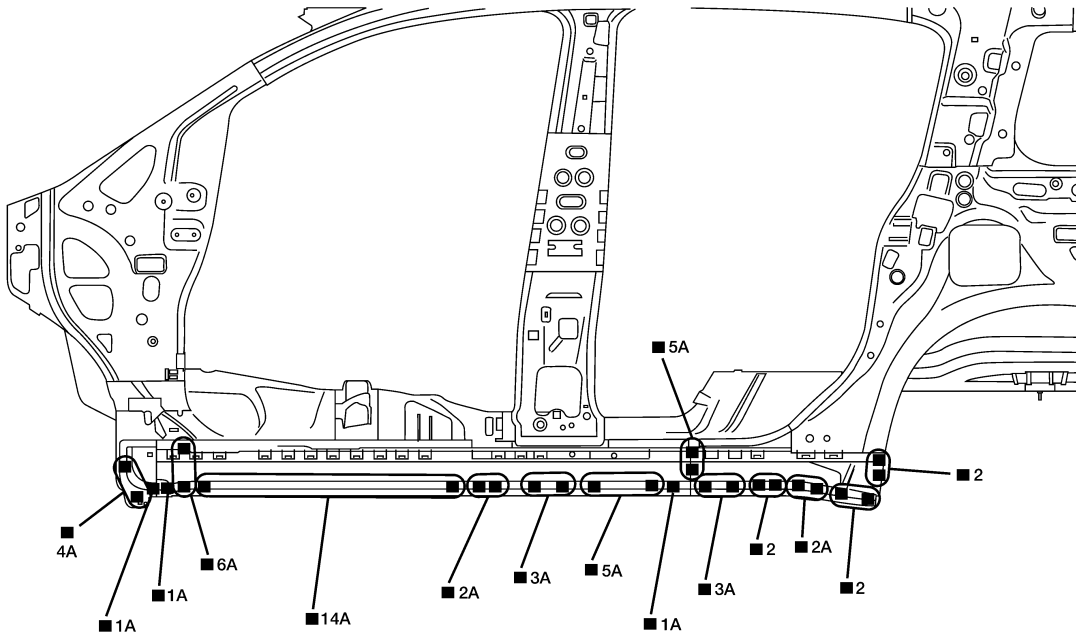
LIIA1112E

BODY REPAIR

< SERVICE INFORMATION >

OUTER SILL

Service Joint



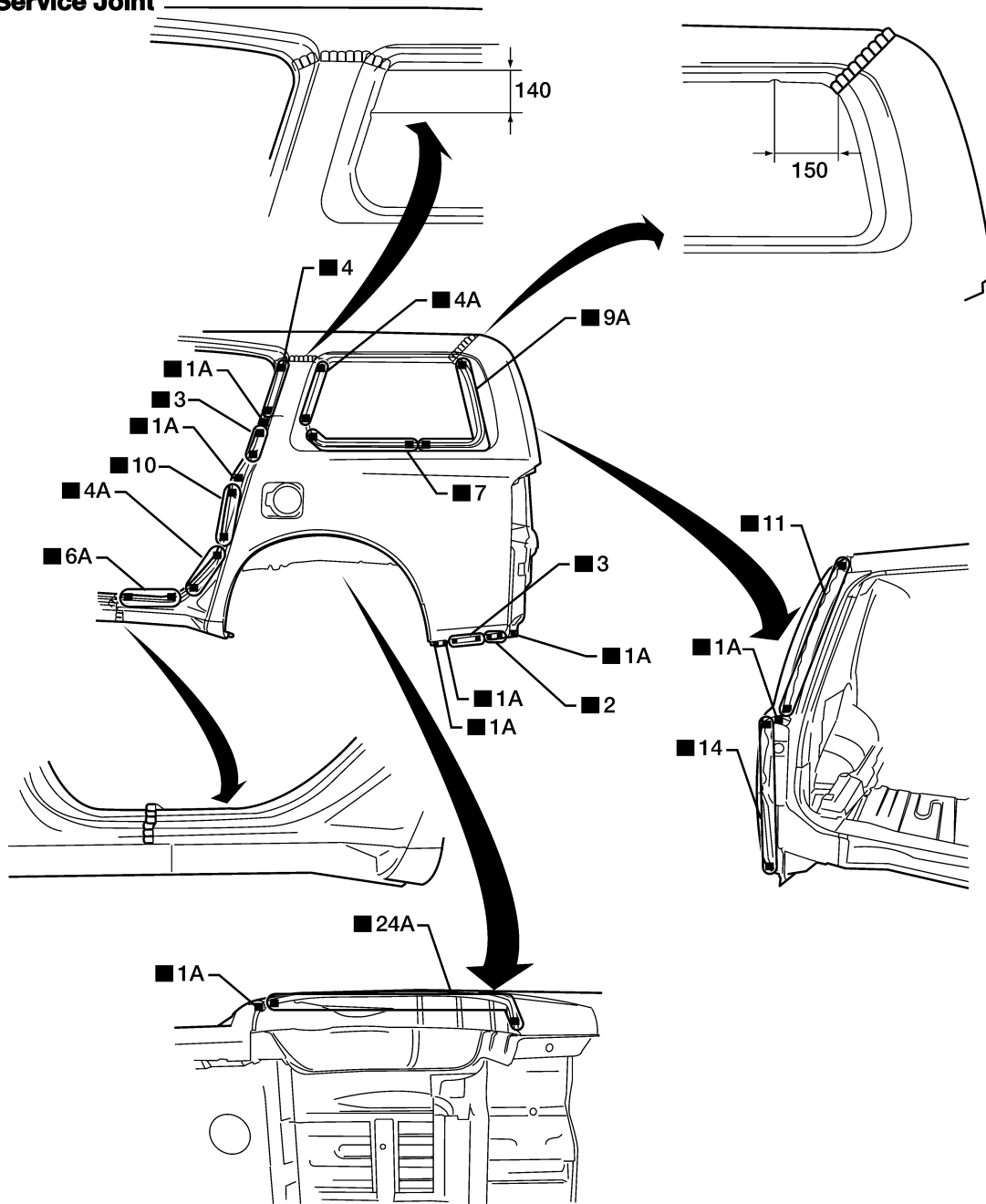
L11A1118E

BODY REPAIR

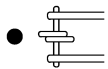
< SERVICE INFORMATION >

REAR FENDER

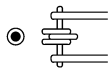
Service Joint



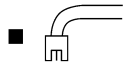
2-spot welds



3-spot welds



MIG Plug weld



For 3 panels plug weld method



MIG seam weld/
Point weld



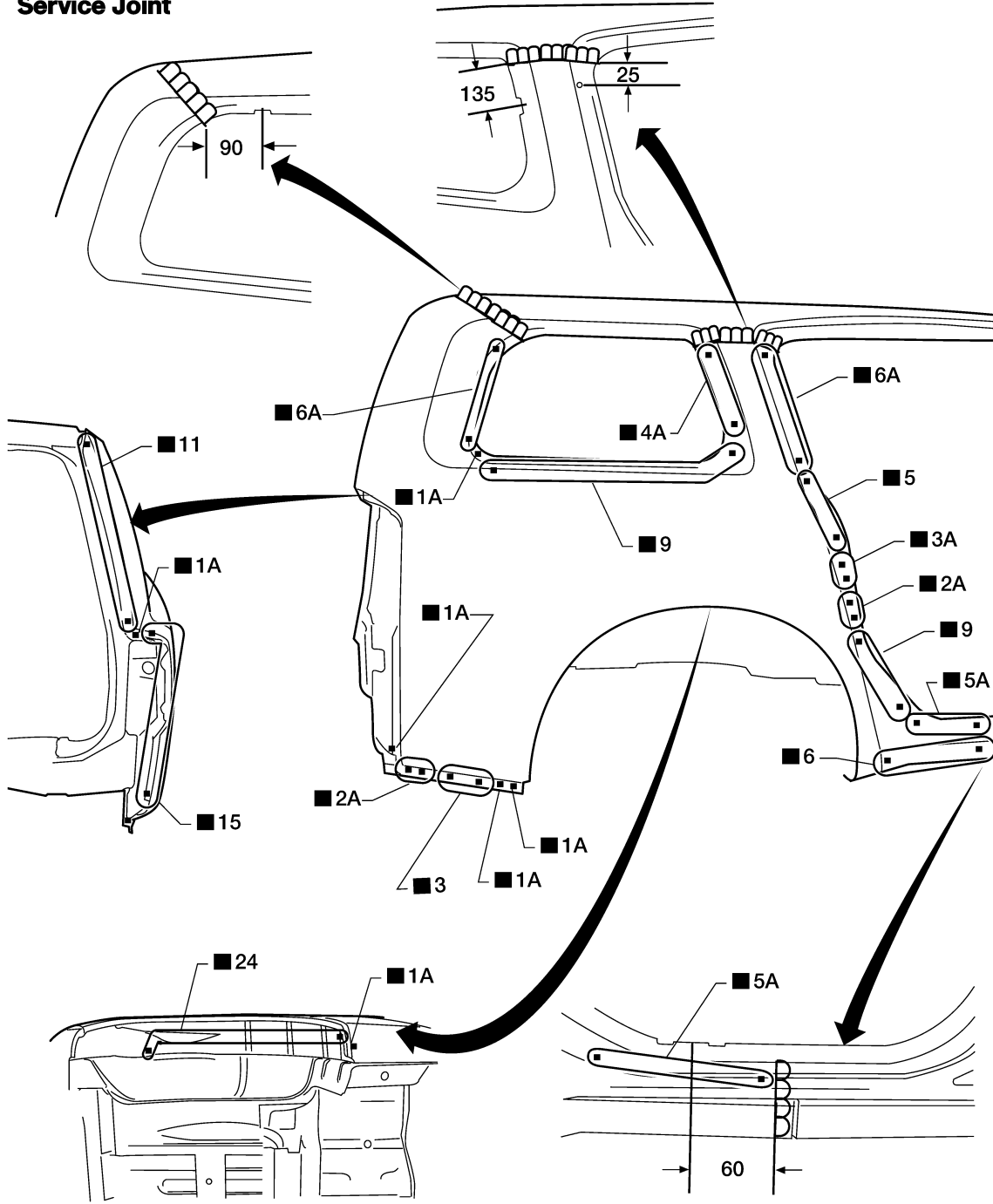
W1IA0285E

A
B
C
D
E
F
G
H
I
J
BRM
L
M
N
O
P

BODY REPAIR

< SERVICE INFORMATION >

Service Joint



2-spot welds

3-spot welds

MIG Plug weld

For 3 panels plug weld method

MIG seam weld/
Point weld



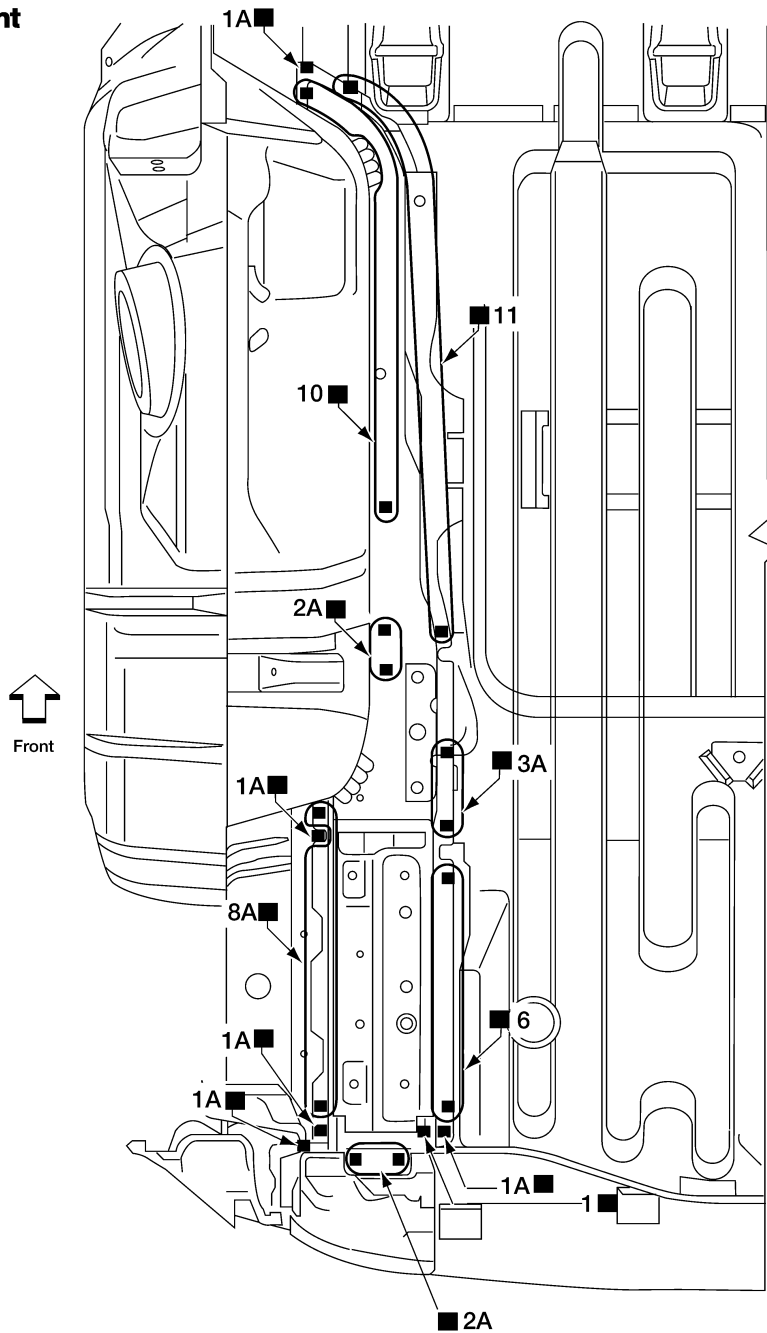
W11A0283E

BODY REPAIR

< SERVICE INFORMATION >

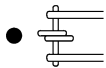
REAR SIDE MEMBER

Service Joint

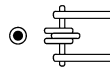


Unit : mm

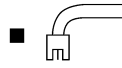
2-spot welds



3-spot welds



MIG Plug weld



For 3 panels plug weld method



MIG seam weld/
Point weld



W1IA0281E

REAR FLOOR REAR

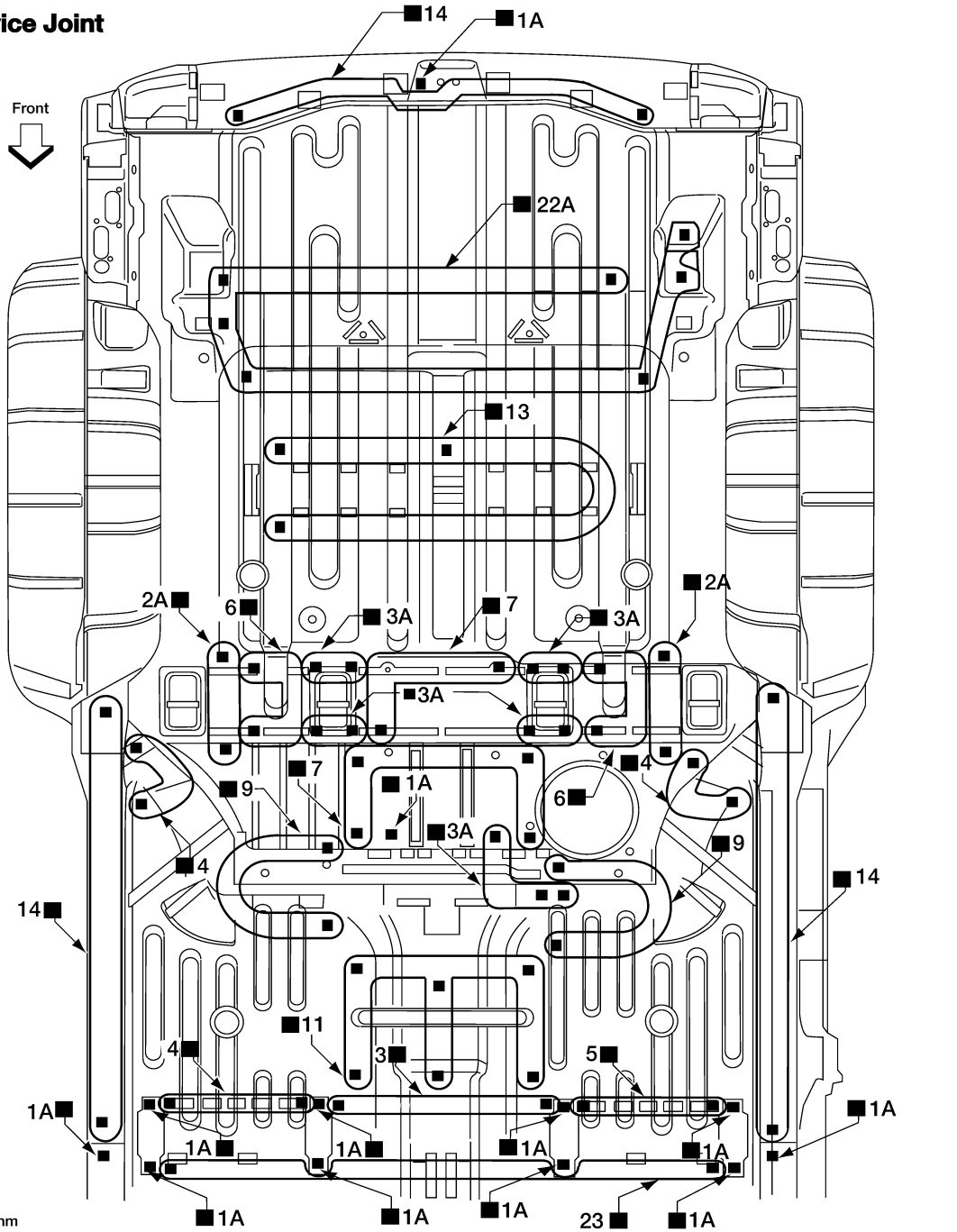
A
B
C
D
E
F
G
H
I
J
K
L
M
N
O
P

BRM

BODY REPAIR

< SERVICE INFORMATION >

Service Joint



Unit : mm

2-spot welds

3-spot welds

MIG Plug weld

(For 3 panels plug weld method)

MIG seam weld/
Point weld



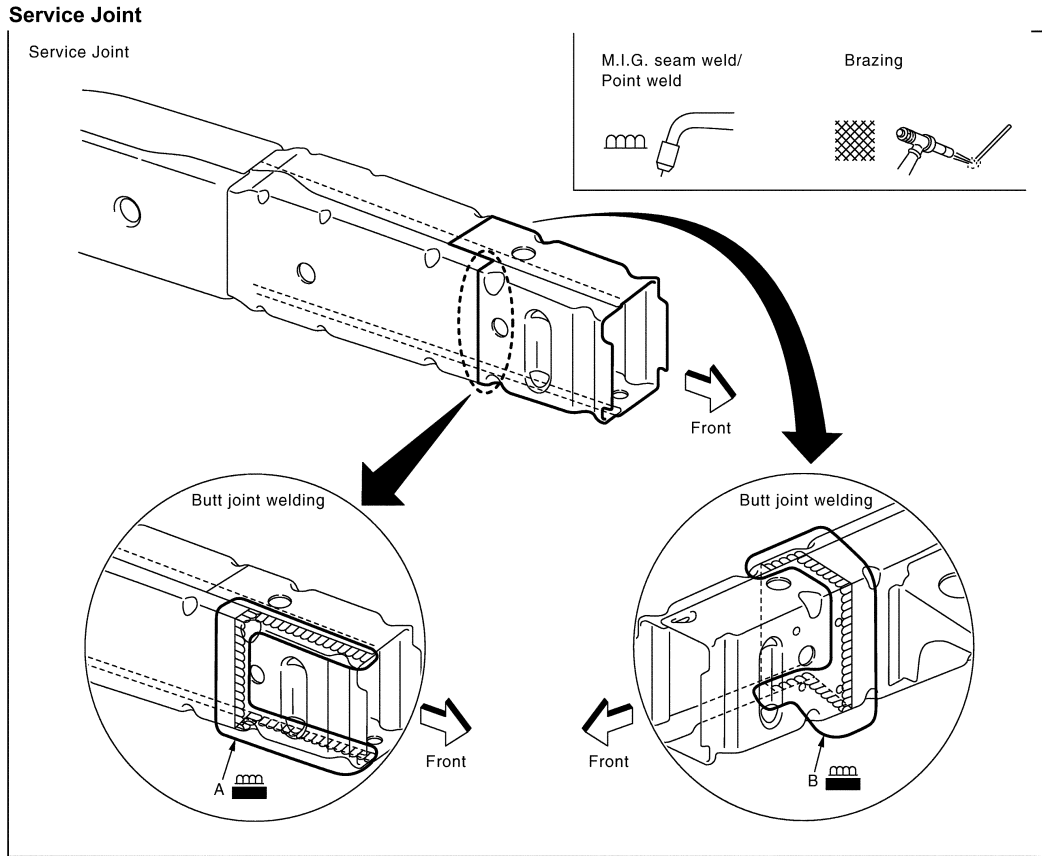
W1IA0282E

CRUSH HORN

BODY REPAIR

< SERVICE INFORMATION >

- Work after 1st crossmember has been removed.



LIIA1083E

Portions to be welded:

- A. Inner side rail crush horn, inner side rail crush horn and outer side rail crush horn.
- B. Outer side rail crush horn, outer side rail crush horn and inner side rail crush horn.

Removal Notes

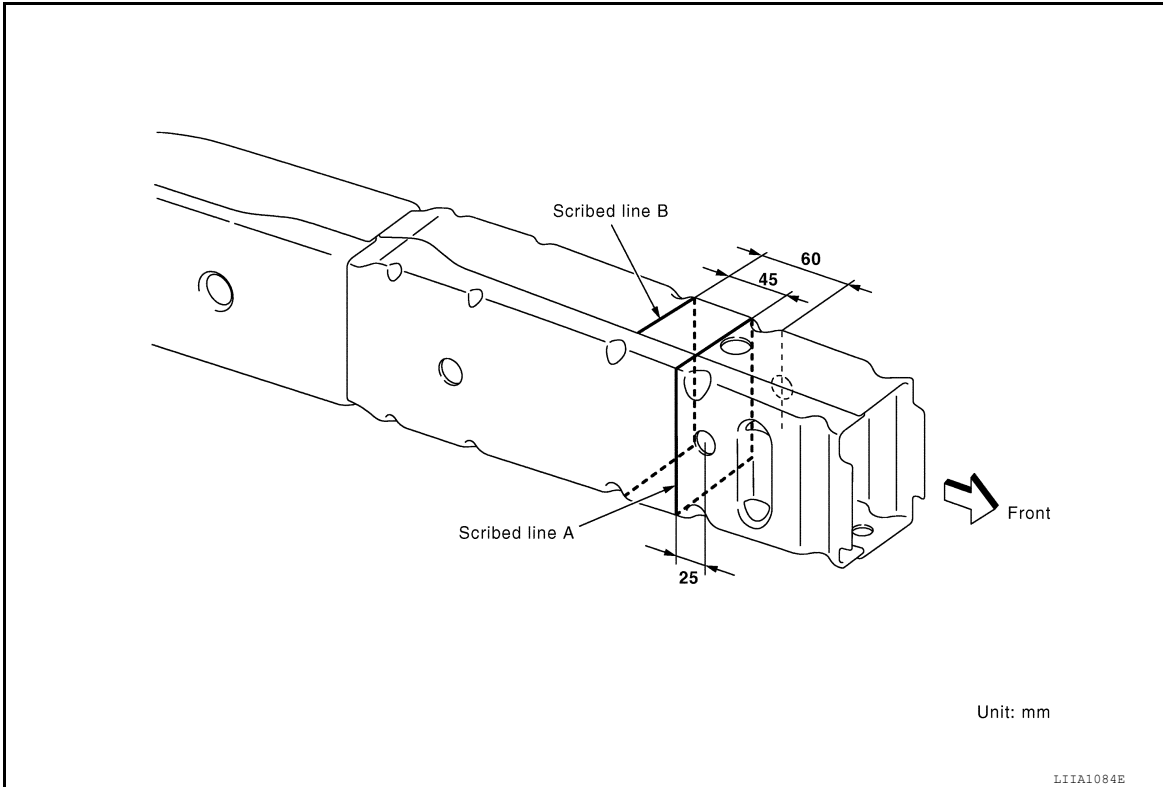
A
B
C
D
E
F
G
H
I
J
L
M
N
O
P

BRM

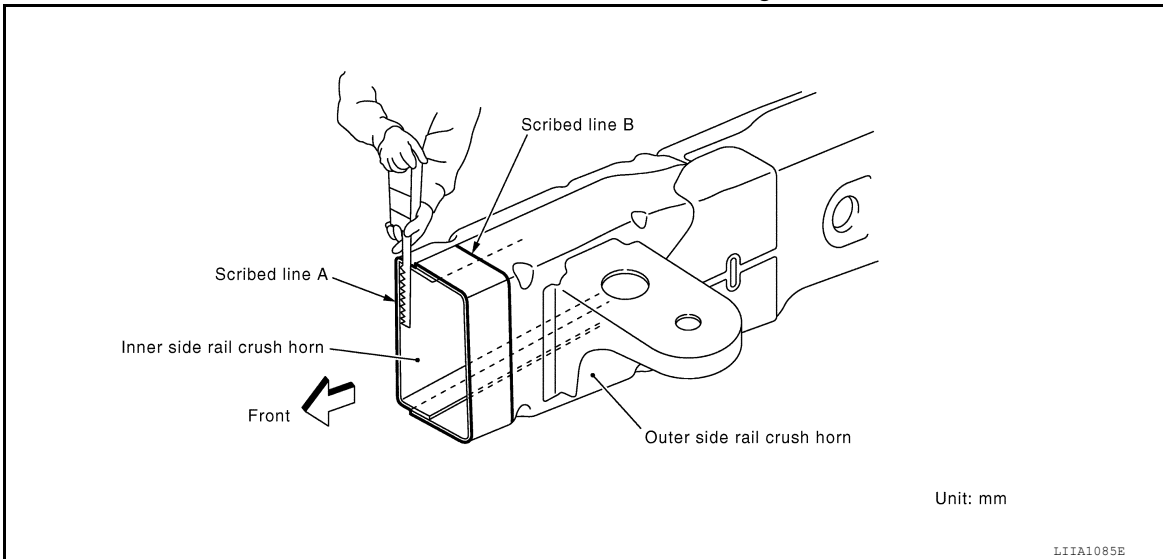
BODY REPAIR

< SERVICE INFORMATION >

- Scribe a straight line on the outer side rail crush horn and inner side rail crush horn along the hole center as shown in the figure.



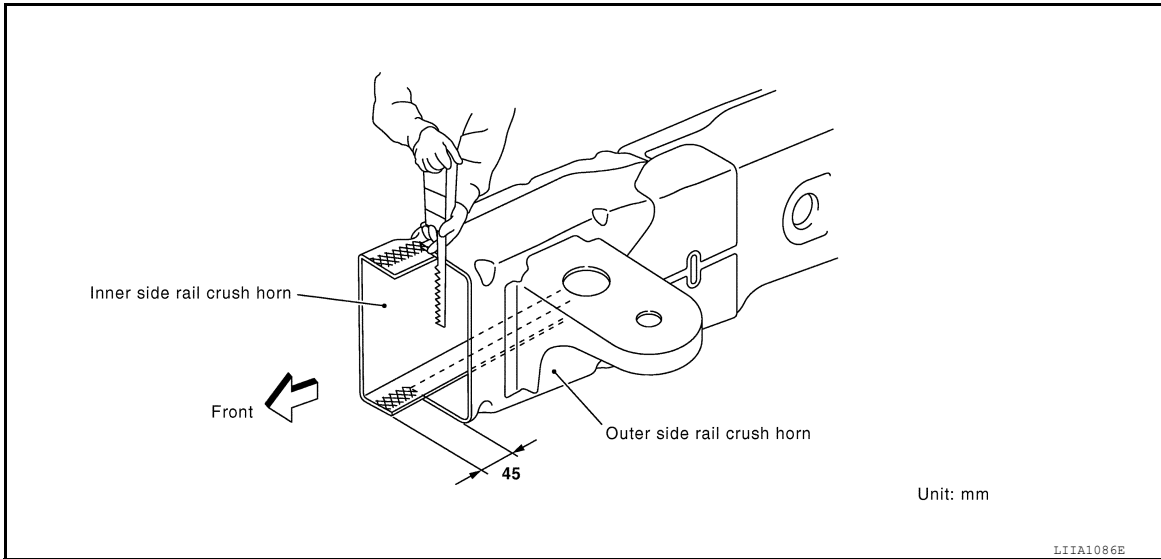
- Cut off outer side rail crush horn and inner side rail crush horn along scribed line A. Do not cut on the hole.



- Cut inner side rail crush horn at 45 mm backward cut position of cut line A. (along line B)

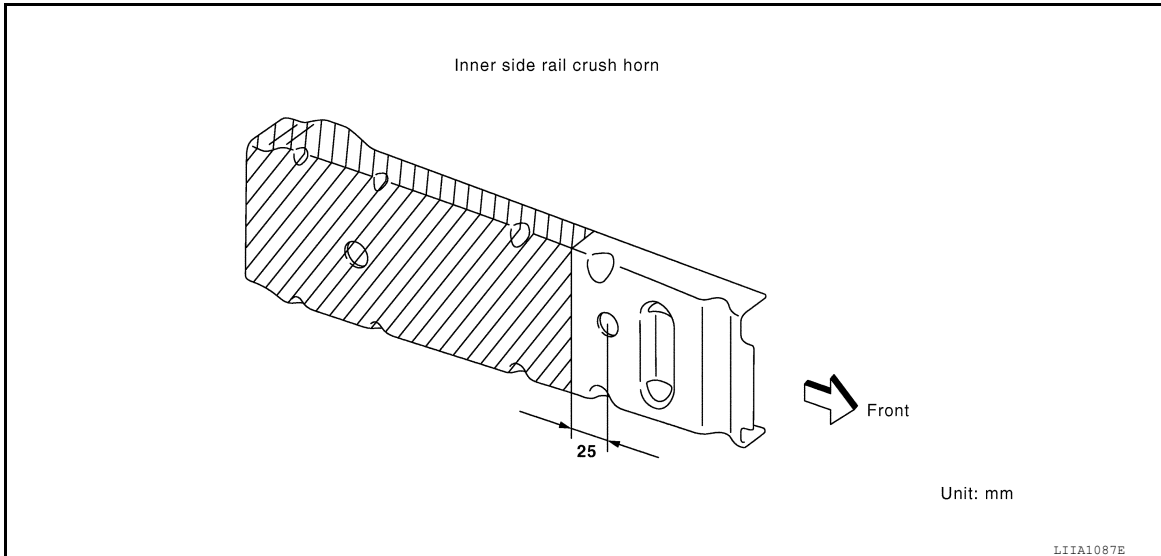
BODY REPAIR

< SERVICE INFORMATION >

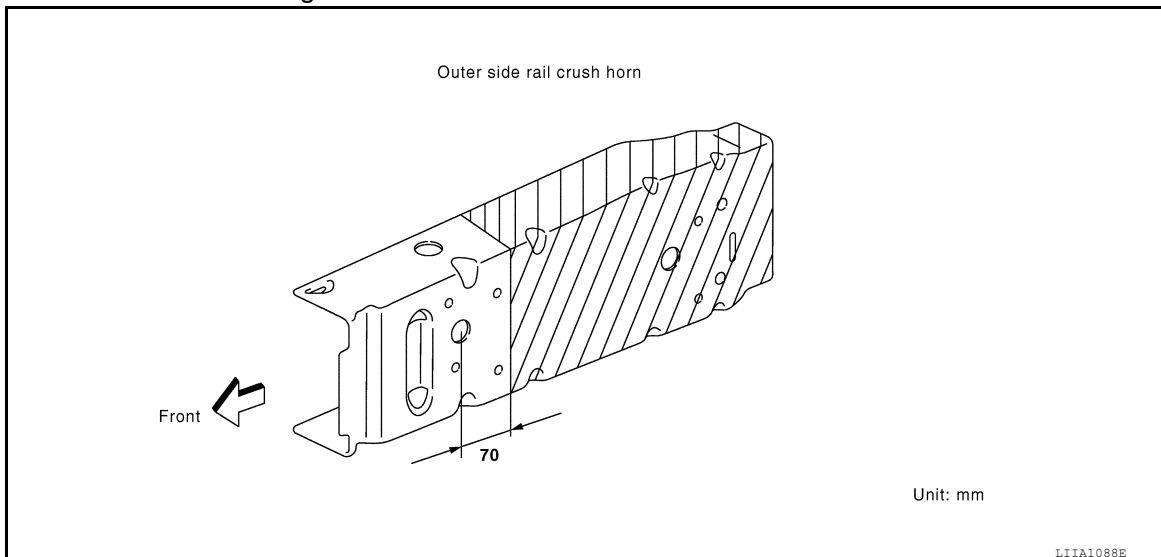


- After removing outer panel, dress area on the inner panel surface with a sander or equivalent.

Installation Notes



- Scribe a straight line on the inner side rail crush horn along the hole center as shown in the figure. Cut off inner side rail crush horn along scribed line.



- Scribe a straight line on the outer side rail crush horn along the hole center as shown in the figure. Cut off outer side rail crush horn along scribed line.

A
B
C
D
E
F
G
H
I
J
L
M
N
O
P

BRM

BODY REPAIR

< SERVICE INFORMATION >

- Weld part to be butt-welded and seam-welded corner to corner as shown in the figure.

