

A
FL
C
D
E
F
G
H
I
J
K
L
M
N
O
P

SECTION **FL**

FUEL SYSTEM

CONTENTS

PRECAUTION	2		
PRECAUTIONS	2	Exploded View	7
Precaution for Supplemental Restraint System (SRS) "AIR BAG" and "SEAT BELT PRE-TENSIONER"	2	Removal and Installation	8
Precaution Necessary for Steering Wheel Rotation After Battery Disconnect	2	FUEL LEVEL SENSOR UNIT, FUEL FILTER AND FUEL PUMP ASSEMBLY	12
FUEL SYSTEM	4	Exploded View	12
General Precaution	4	Removal and Installation	12
PREPARATION	5	EVAP CANISTER	16
PREPARATION	5	Exploded View	16
Special Service Tool	5	Removal and Installation	16
Commercial Service Tool	5	Component Inspection	17
BASIC INSPECTION	6	UNIT DISASSEMBLY AND ASSEMBLY ...	18
FUEL SYSTEM	6	FUEL LEVEL SENSOR UNIT, FUEL FILTER AND FUEL PUMP ASSEMBLY	18
Checking Fuel Line	6	Disassembly and Assembly	18
UNIT REMOVAL AND INSTALLATION	7	SERVICE DATA AND SPECIFICATIONS (SDS)	19
FUEL TANK	7	SERVICE DATA AND SPECIFICATIONS (SDS)	19
		Standard and Limit	19

PRECAUTIONS

< PRECAUTION >

PRECAUTION

PRECAUTIONS

Precaution for Supplemental Restraint System (SRS) "AIR BAG" and "SEAT BELT PRE-TENSIONER"

INFOID:000000011292060

The Supplemental Restraint System such as "AIR BAG" and "SEAT BELT PRE-TENSIONER", used along with a front seat belt, helps to reduce the risk or severity of injury to the driver and front passenger for certain types of collision. This system includes seat belt switch inputs and dual stage front air bag modules. The SRS system uses the seat belt switches to determine the front air bag deployment, and may only deploy one front air bag, depending on the severity of a collision and whether the front occupants are belted or unbelted. Information necessary to service the system safely is included in the SR and SB section of this Service Manual.

WARNING:

- To avoid rendering the SRS inoperative, which could increase the risk of personal injury or death in the event of a collision which would result in air bag inflation, all maintenance must be performed by an authorized NISSAN/INFINITI dealer.
- Improper maintenance, including incorrect removal and installation of the SRS, can lead to personal injury caused by unintentional activation of the system. For removal of Spiral Cable and Air Bag Module, see the SR section.
- Do not use electrical test equipment on any circuit related to the SRS unless instructed to in this Service Manual. SRS wiring harnesses can be identified by yellow and/or orange harnesses or harness connectors.

PRECAUTIONS WHEN USING POWER TOOLS (AIR OR ELECTRIC) AND HAMMERS

WARNING:

- When working near the Airbag Diagnosis Sensor Unit or other Airbag System sensors with the Ignition ON or engine running, DO NOT use air or electric power tools or strike near the sensor(s) with a hammer. Heavy vibration could activate the sensor(s) and deploy the air bag(s), possibly causing serious injury.
- When using air or electric power tools or hammers, always switch the Ignition OFF, disconnect the battery and wait at least three minutes before performing any service.

Precaution Necessary for Steering Wheel Rotation After Battery Disconnect

INFOID:000000011292061

NOTE:

- This Procedure is applied only to models with Intelligent Key system and NATS (NISSAN ANTI-THEFT SYSTEM).
- Remove and install all control units after disconnecting both battery cables with the ignition knob in the "LOCK" position.
- Always use CONSULT to perform self-diagnosis as a part of each function inspection after finishing work. If DTC is detected, perform trouble diagnosis according to self-diagnostic results.

For models equipped with the Intelligent Key system and NATS, an electrically controlled steering lock mechanism is adopted on the key cylinder.

For this reason, if the battery is disconnected or if the battery is discharged, the steering wheel will lock and steering wheel rotation will become impossible.

If steering wheel rotation is required when battery power is interrupted, follow the procedure below before starting the repair operation.

OPERATION PROCEDURE

1. Connect both battery cables.

NOTE:

Supply power using jumper cables if battery is discharged.

2. Use the Intelligent Key or mechanical key to turn the ignition switch to the "ACC" position. At this time, the steering lock will be released.
3. Disconnect both battery cables. The steering lock will remain released and the steering wheel can be rotated.
4. Perform the necessary repair operation.

PRECAUTIONS

< PRECAUTION >

5. When the repair work is completed, return the ignition switch to the "LOCK" position before connecting the battery cables. (At this time, the steering lock mechanism will engage.)
6. Perform a self-diagnosis check of all control units using CONSULT.

A

FL

C

D

E

F

G

H

I

J

K

L

M

N

O

P

FUEL SYSTEM

< PRECAUTION >

FUEL SYSTEM

General Precaution

INFOID:000000011292062

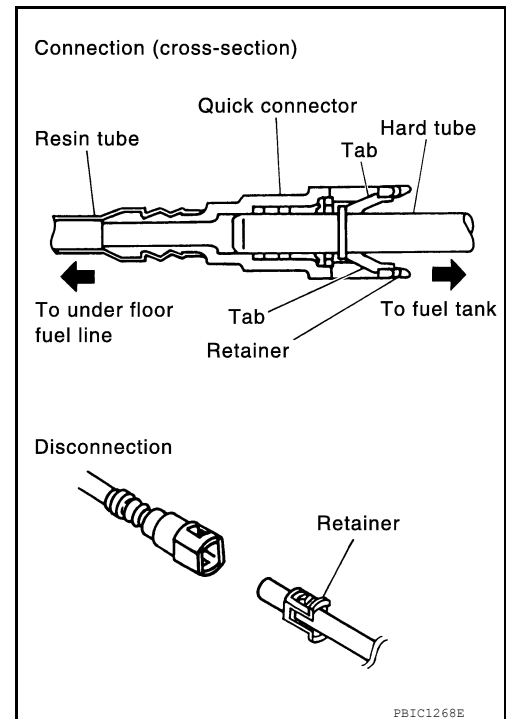
WARNING:

When replacing fuel line parts, be sure to observe the following.

- Put a "CAUTION: FLAMMABLE" sign in the workshop.
- Be sure to work in a well ventilated area and furnish workshop with a CO₂ fire extinguisher.
- Do not smoke while servicing fuel system. Keep open flames and sparks away from the work area.

CAUTION:

- Before removing fuel line parts, carry out the following procedures:
 - Put drained fuel in an explosion-proof container and put the lid on securely. Keep the container in safe area.
 - Release fuel pressure from the fuel lines. Refer to [EC-506, "Fuel Pressure Check"](#).
 - Disconnect the battery negative terminal.
 - Always replace O-rings and clamps with new ones.
 - Do not kink or twist hoses when they are being installed.
 - After connecting the fuel tube quick connectors, make sure the quick connectors are secure.
Ensure that the connector and resin tube do not contact any adjacent parts.
 - After installing tubes, make sure there is no fuel leakage at connections in the following steps.
 - Apply fuel pressure to fuel lines with turning ignition switch ON (with engine stopped). Then check for fuel leaks at connections.
 - Start the engine and rev it up and check for fuel leaks at connections.
 - Use only a Genuine NISSAN fuel filler cap as a replacement. If an incorrect fuel filler cap is used, the MIL may come on.



PREPARATION

< PREPARATION >

PREPARATION

PREPARATION

Special Service Tool

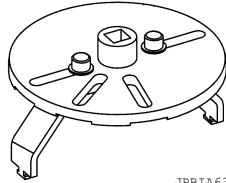
INFOID:000000011292063

A

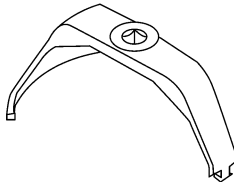
FL

The actual shape of the tools may differ from those illustrated here.

Tool number (TechMate No.) Tool name	Description
KV101207S0 (—) Unified fuel lock ring wrench	Removing and installing fuel tank lock ring
— (J-46536) Fuel tank lock ring wrench	



JPBIA6384ZZ



LBIA0398E

Commercial Service Tool

INFOID:000000011292064

Tool name	Description
Power tool	Loosening nuts, screws and bolts



PIIB1407E

C

D

E

F

G

H

I

J

K

L

M

N

O

P

FUEL SYSTEM

< BASIC INSPECTION >

BASIC INSPECTION

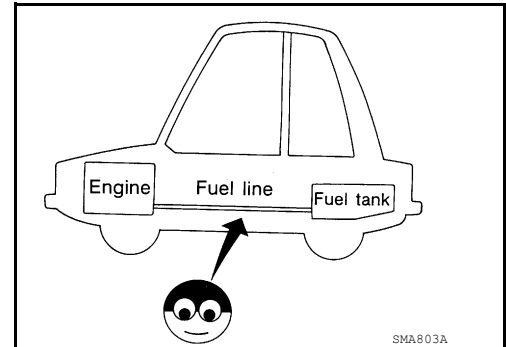
FUEL SYSTEM

Checking Fuel Line

INFOID:000000011292065

Inspect fuel lines, fuel filler cap and fuel tank for improper attachment, leaks, cracks, damage, loose connections, chafing or deterioration.

If necessary, repair or replace damaged parts.



FUEL TANK

< UNIT REMOVAL AND INSTALLATION >

UNIT REMOVAL AND INSTALLATION

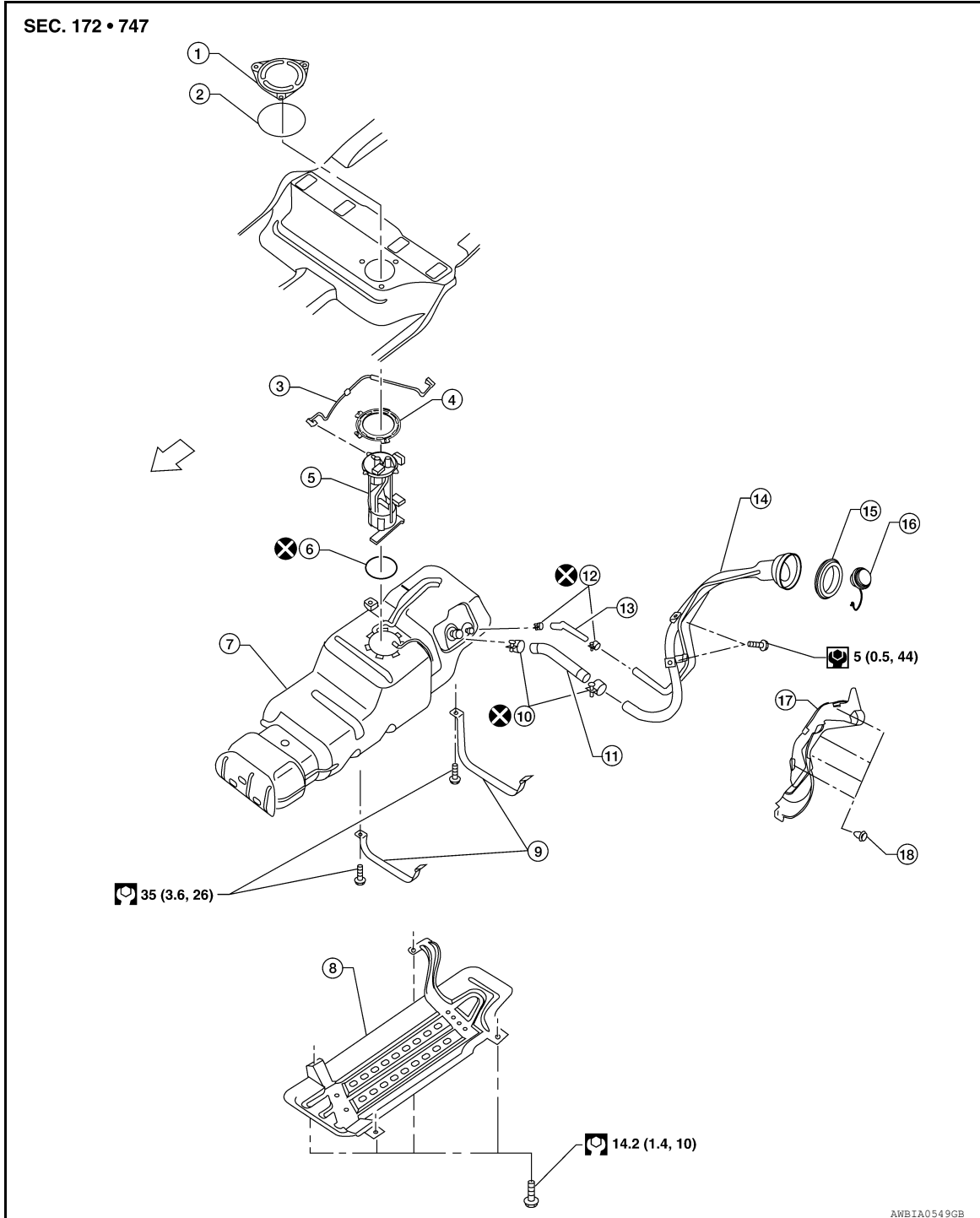
FUEL TANK

Exploded View

INFOID:000000011292066

A

FL



C

D

E

F

G

H

I

J

K

L

M

N

O

P

- | | | |
|-----------------------------|---|---------------------------|
| 1. Inspection hole cover | 2. Inspection hole cover O-ring | 3. EVAP hose |
| 4. Lock ring | 5. Fuel level sensor, fuel filter, and fuel pump assembly | 6. O-ring |
| 7. Fuel tank | 8. Fuel tank shield | 9. Fuel tank straps |
| 10. Fuel filler hose clamps | 11. Fuel filler hose | 12. Fuel vent hose clamps |

FUEL TANK

< UNIT REMOVAL AND INSTALLATION >

- | | | |
|---------------------|-----------------------------|------------------------------|
| 13. Fuel vent hose | 14. Fuel filler pipe | 15. Fuel filler pipe grommet |
| 16. Fuel filler cap | 17. Fuel filler pipe shield | 18. Clip |
| ↩ Front | | |

Removal and Installation

INFOID:000000011292067

REMOVAL

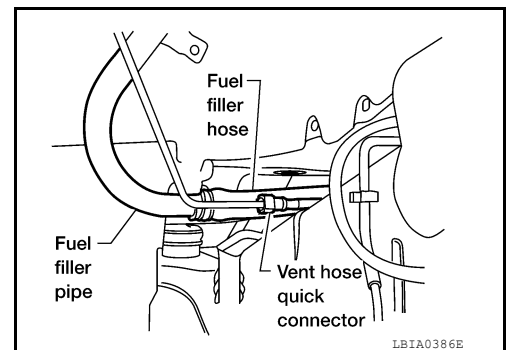
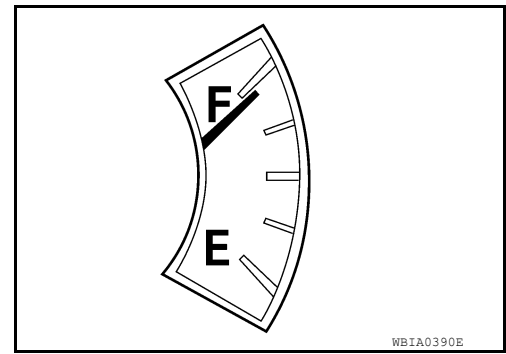
WARNING:

Follow the "General Precautions" before working on the fuel system. Refer to [FL-4, "General Precaution"](#).

NOTE:

When removing components such as hoses, tubes/lines, etc., cap or plug openings to prevent fluid from spilling.

1. Drain the fuel from the fuel tank, if necessary.
 - Position the vehicle so it is level.
2. Remove the fuel filler cap to release the pressure from inside the fuel tank.
3. Check the fuel level on fuel gauge. If the fuel gauge indicates more than the level as shown (full or almost full), drain the fuel from the fuel tank until the fuel gauge indicates the level as shown, or less.
 - If the fuel pump does not operate, use the following procedure to drain the fuel to the specified level after disconnecting the fuel filler hose from the fuel filler pipe.
- a. Insert a suitable hose of less than 15 mm (0.59 in) diameter into the fuel filler pipe through the fuel filler opening to drain the fuel from fuel filler pipe.
- b. Insert a suitable hose into the fuel tank through the fuel filler hose to drain the fuel from the fuel tank.
 - As a guide, the fuel level reaches the fuel gauge position as shown, or less, when approximately 14 liters (3-3/4 US gal, 3-1/8 Imp gal) of fuel are drained from a full fuel tank.
4. Remove rear tire and wheel (LH). Refer to [WT-53, "Rotation"](#).
5. Disconnect the fuel filler hose from the fuel filler pipe and disconnect the vent hose quick connector.

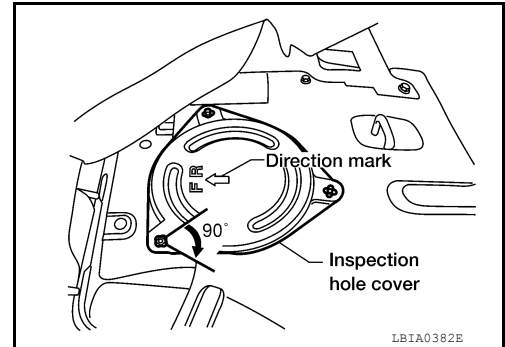


6. Release the fuel pressure from the fuel lines. Refer to [EC-506, "Fuel Pressure Check"](#).
7. Disconnect the battery negative terminal. Refer to [PG-81, "Removal and Installation"](#).
8. Remove the second row seats. Refer to [SE-73, "Removal and Installation - Bucket Seat \(LH/RH\)"](#) (second row outboard), [SE-73, "Removal and Installation - Center Seat"](#) (second row center).
9. Remove the third row rear seats. Refer to [SE-77, "Removal and Installation - LH Seat"](#) [w/o power folding (LH)], [SE-81, "Removal and Installation - LH Seat"](#) [power folding (LH)], [SE-77, "Removal and Installation - RH Seat"](#) [w/o power folding (RH)], [SE-88, "Removal and Installation - RH Seat"](#) [power folding (LH)].
10. Remove the lower seat belt anchors. Refer to [SB-20, "Removal and Installation"](#).
11. Remove the lower body side trim. Refer to [INT-19, "Removal and Installation"](#).
12. Remove the luggage lower side finishers (LH). Refer to [INT-25, "Removal and Installation"](#).
13. Remove the kick plates. Refer to [INT-19, "Removal and Installation"](#).
14. Remove the rear console. Refer to [IP-22, "Removal and Installation"](#).

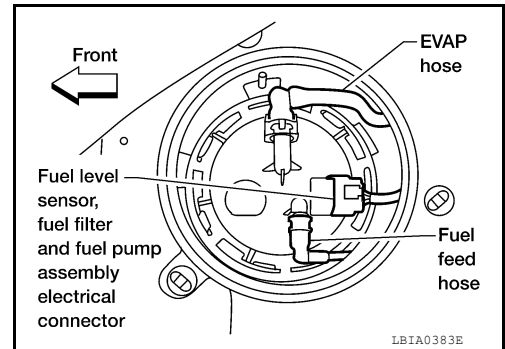
FUEL TANK

< UNIT REMOVAL AND INSTALLATION >

15. Remove the rear lower finisher. Refer to [INT-25. "Removal and Installation"](#).
16. Reposition the floor carpet out of the way to access the inspection hole cover, located under the center LH rear seat.
17. Remove the inspection hole cover by turning the retainers 90° degrees clockwise.
 - Remove the inspection hole cover O-ring.

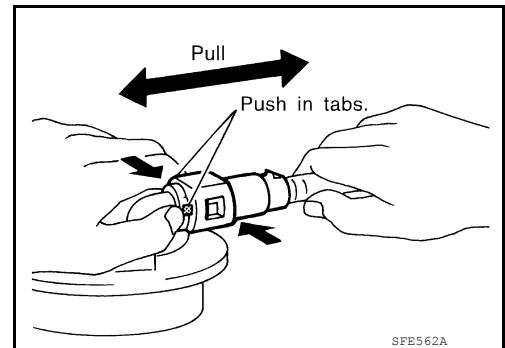


18. Disconnect the fuel level sensor, fuel filter, and fuel pump assembly harness connector, the EVAP hose, and the fuel feed hose.



Disconnect the quick connector as follows:

- Hold the sides of the connector, push in tabs and pull out the tube.
- If the connector and the tube are stuck together, push and pull several times until they start to move. Then disconnect them by pulling.

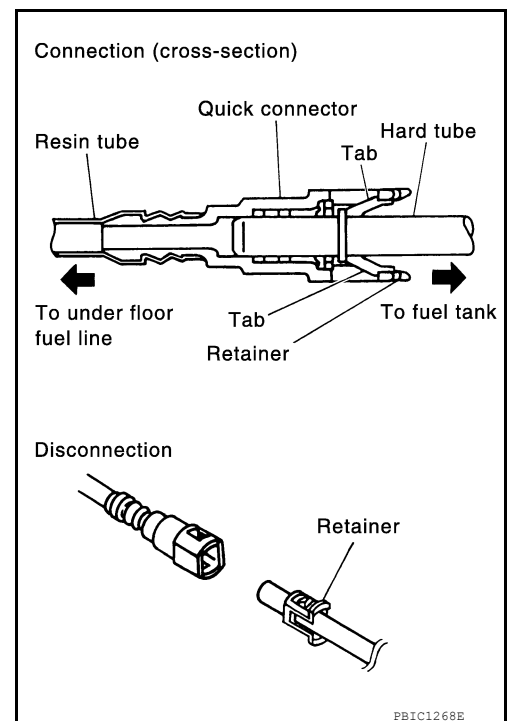


CAUTION:

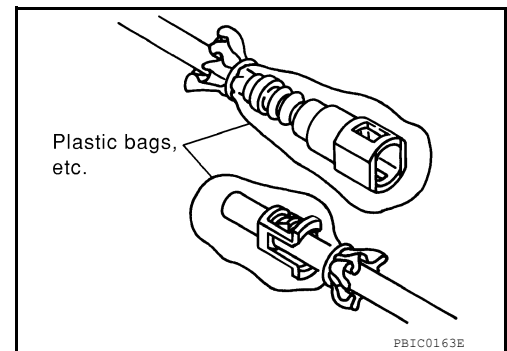
FUEL TANK

< UNIT REMOVAL AND INSTALLATION >

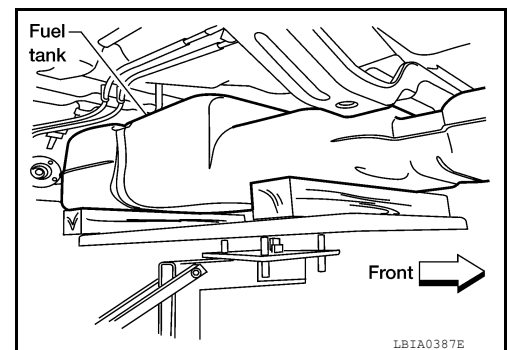
- The quick connector can be disconnected when the tabs are completely depressed. Do not twist the quick connector more than necessary.
- Do not use any tools to disconnect the quick connector.
- Keep the resin tube away from heat. Be especially careful when welding near the tube.
- Prevent any acid liquids such as battery electrolyte, from getting on the resin tube.
- Do not bend or twist the resin tube during connection.
- Do not remove the remaining retainer on the hard tube (or the equivalent) except when the resin tube or the retainer is replaced.
- When the resin tube or hard tube, or the equivalent, is replaced, also replace the retainer with a new one (white colored retainer).



- To keep the quick connector clean and to avoid damage and contamination from foreign materials, cover the quick connector with plastic bags or suitable material as shown.



19. Remove the four bolts and remove the fuel tank shield (if equipped).
20. Remove the propeller shaft. Refer to [DLN-184, "Removal and Installation"](#) [2F1310 (front, if equipped)], [DLN-194, "Removal and Installation"](#) [2S1410 (rear)].
21. Disconnect fuel filler hose, and vent hose at the fuel tank side.
22. Remove the fuel tank strap bolts while supporting the fuel tank with a suitable lift jack.



23. Disconnect the EVAP hose from the molded clip in the top of the fuel tank while lowering the fuel tank.
24. Lower the fuel tank using a suitable lift jack and remove it.

FUEL TANK

< UNIT REMOVAL AND INSTALLATION >

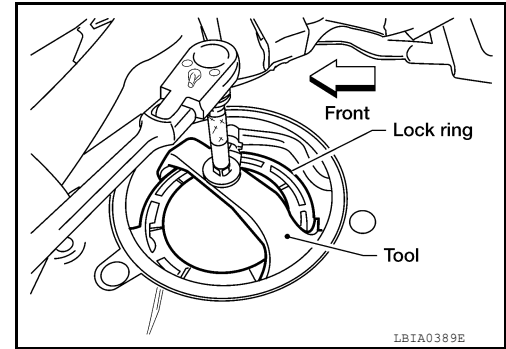
25. If necessary, remove the lock ring using Tool.

Tool number : KV991J0090 (J-46214) (shown)
: KV101207S0 (—)

26. If necessary, remove the fuel level sensor, fuel filter, and fuel pump assembly. Remove and discard the O-ring.

CAUTION:

- Do not bend the float arm during removal.
- Avoid impacts such as dropping when handling the components.
- Do not reuse O-ring.



INSTALLATION

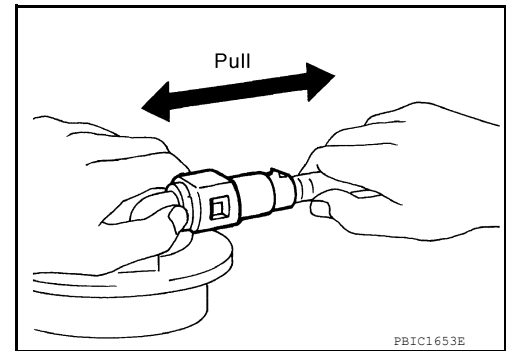
Installation is in the reverse order of removal.

• For installation, use a new fuel level sensor, fuel filter, and fuel pump assembly O-ring.

CAUTION:

Do not reuse O-ring.

- Connect the quick connector as follows:
 - Check the connection for any damage or foreign materials.
 - Align the connector with the pipe, then insert the connector straight into the pipe until a click is heard.
 - After connecting the quick connector, make sure that the connection is secure by checking as follows:
 - Pull the tube and the connector to make sure they are securely connected.
 - Visually inspect the connector to make sure the two retainer tabs are securely connected.



INSPECTION AFTER INSTALLATION

1. Turn the ignition switch ON but do not start engine, then check the fuel pipe and hose connections for leaks while applying fuel pressure.
2. Start the engine and rev it above idle, then check that there are no fuel leaks at any of the fuel pipe and hose connections.

A
FL
C
D
E
F
G
H
I
J
K
L
M
N
O
P

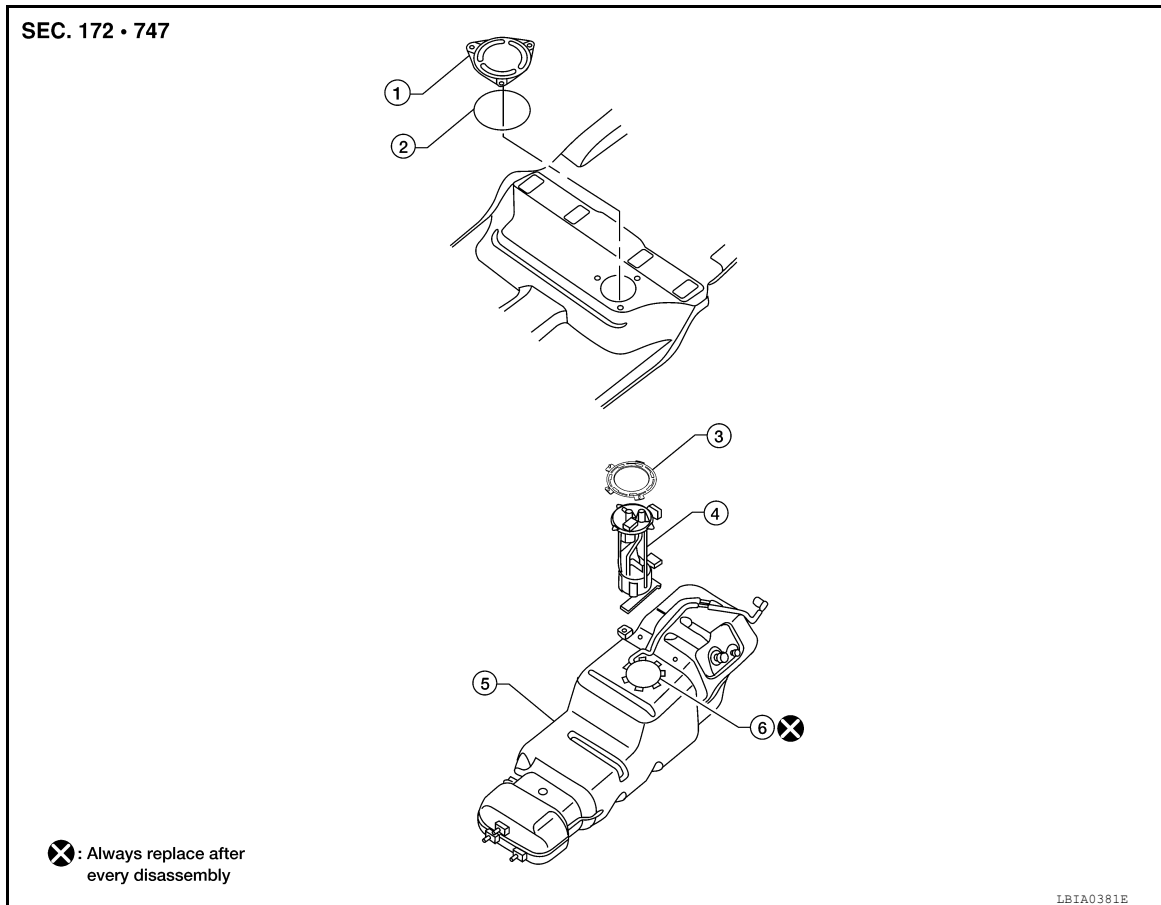
FUEL LEVEL SENSOR UNIT, FUEL FILTER AND FUEL PUMP ASSEMBLY

< UNIT REMOVAL AND INSTALLATION >

FUEL LEVEL SENSOR UNIT, FUEL FILTER AND FUEL PUMP ASSEMBLY

Exploded View

INFOID:000000011292068



- | | | |
|---|---------------------------------|--------------|
| 1. Inspection hole cover | 2. Inspection hole cover O-ring | 3. Lock ring |
| 4. Fuel level sensor, fuel filter, and fuel pump assembly | 5. Fuel tank | 6. O-ring |

Removal and Installation

INFOID:000000011292069

REMOVAL

WARNING:

Follow the “General Precautions” before working on the fuel system. Refer to [FL-4, "General Precaution"](#).

NOTE:

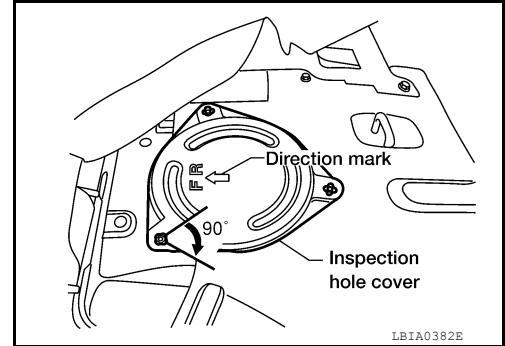
When removing components such as hoses, tubes/lines, etc., cap or plug openings to prevent fluid from spilling.

1. Remove the fuel filler cap to release the pressure from inside the fuel tank.
2. Release the fuel pressure from the fuel lines. Refer to [EC-506, "Fuel Pressure Check"](#).
3. Disconnect the battery negative terminal. Refer to [PG-81, "Removal and Installation"](#).
4. Remove the second row seats. Refer to [SE-73, "Removal and Installation - Bucket Seat \(LH/RH\)"](#) (second row outboard), [SE-73, "Removal and Installation - Center Seat"](#) (second row center).
5. Remove the third row rear seats. Refer to [SE-77, "Removal and Installation - LH Seat"](#) [w/o power folding (LH)], [SE-81, "Removal and Installation - LH Seat"](#) [power folding (LH)], [SE-77, "Removal and Installation - RH Seat"](#) [w/o power folding (RH)], [SE-88, "Removal and Installation - RH Seat"](#) [power folding (RH)].
6. Remove the lower seat belt anchors. Refer to [SB-20, "Removal and Installation"](#).
7. Remove the lower body side trim. Refer to [INT-19, "Removal and Installation"](#).

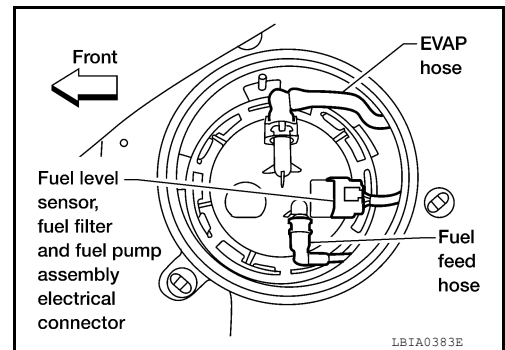
FUEL LEVEL SENSOR UNIT, FUEL FILTER AND FUEL PUMP ASSEMBLY

< UNIT REMOVAL AND INSTALLATION >

8. Remove the luggage lower side finishers (LH). Refer to [INT-25, "Removal and Installation"](#).
9. Remove the kick plates. Refer to [INT-19, "Removal and Installation"](#).
10. Remove the rear console. Refer to [IP-22, "Removal and Installation"](#).
11. Remove the rear lower finisher. Refer to [INT-25, "Removal and Installation"](#).
12. Reposition the floor carpet out of the way to access the inspection hole cover, located under the center LH rear seat.
13. Remove the inspection hole cover by turning the retainers 90° degrees clockwise.
 - Remove the inspection hole cover O-ring.

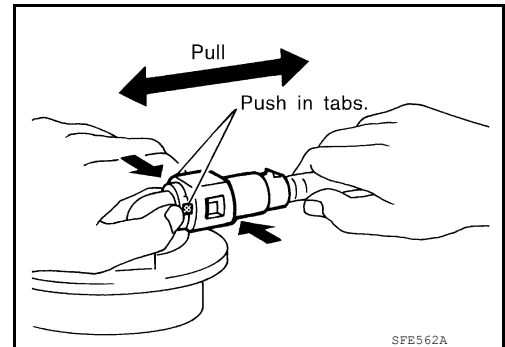


14. Disconnect the fuel level sensor, fuel filter, and fuel pump assembly harness connector, the EVAP hose, and the fuel feed hose.



Disconnect the quick connector as follows:

- Hold the sides of the connector, push in tabs and pull out the tube.
- If the connector and the tube are stuck together, push and pull several times until they start to move. Then disconnect them by pulling.

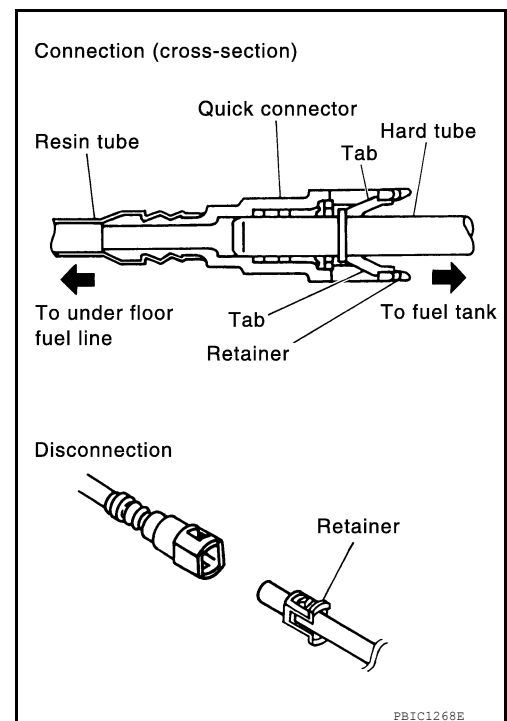


CAUTION:

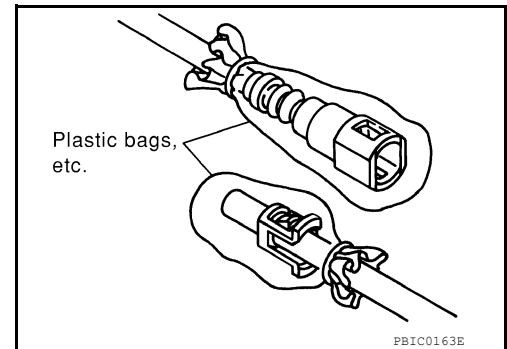
FUEL LEVEL SENSOR UNIT, FUEL FILTER AND FUEL PUMP ASSEMBLY

< UNIT REMOVAL AND INSTALLATION >

- The quick connector can be disconnected when the tabs are completely depressed. Do not twist the quick connector more than necessary.
- Do not use any tools to disconnect the quick connector.
- Keep the resin tube away from heat. Be especially careful when welding near the tube.
- Prevent any acid liquids such as battery electrolyte, from getting on the resin tube.
- Do not bend or twist the resin tube during connection.
- Do not remove the remaining retainer on the hard tube (or the equivalent) except when the resin tube or the retainer is replaced.
- When the resin tube or hard tube, or the equivalent, is replaced, also replace the retainer with a new one (white colored retainer).



- To keep the quick connector clean and to avoid damage and contamination from foreign materials, cover the quick connector with plastic bags or suitable material as shown.



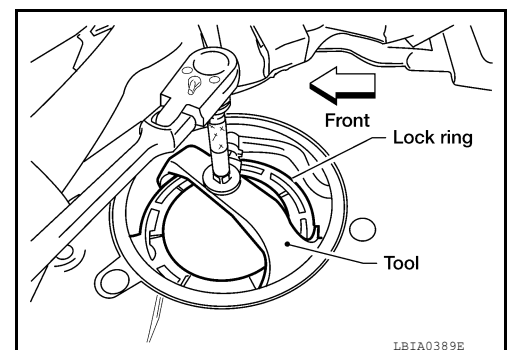
15. Remove the lock ring using Tool.

Tool number : — (J-46536) (shown)
: KV101207S0 (—)

16. Remove the fuel level sensor, fuel filter, and fuel pump assembly. Remove and discard the O-ring.

CAUTION:

- Do not bend the float arm during removal.
- Avoid impacts such as dropping when handling the components.
- Do not reuse O-ring.



INSTALLATION

Installation is in the reverse order of removal.

- For installation, use a new fuel level sensor, fuel filter, and fuel pump assembly O-ring.

CAUTION:

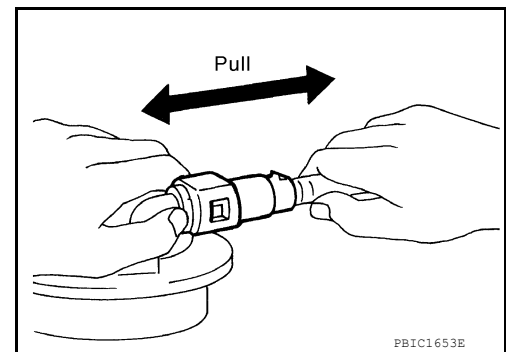
Do not reuse O-ring.

- Connect the quick connector as follows:
 - Check the connection for any damage or foreign materials.
 - Align the connector with the pipe, then insert the connector straight into the pipe until a click is heard.

FUEL LEVEL SENSOR UNIT, FUEL FILTER AND FUEL PUMP ASSEMBLY

< UNIT REMOVAL AND INSTALLATION >

- After connecting the quick connector, make sure that the connection is secure by checking as follows:
- Pull the tube and the connector to make sure they are securely connected.
- Visually inspect the connector to make sure the two retainer tabs are securely connected.



INSPECTION AFTER INSTALLATION

1. Turn the ignition switch ON but do not start engine, then check the fuel pipes and hose connections for leaks while applying fuel pressure to the system.
2. Start the engine and rev it above idle speed, then check that there are no fuel leaks at any of the fuel pipe and hose connections.

A

FL

C

D

E

F

G

H

I

J

K

L

M

N

O

P

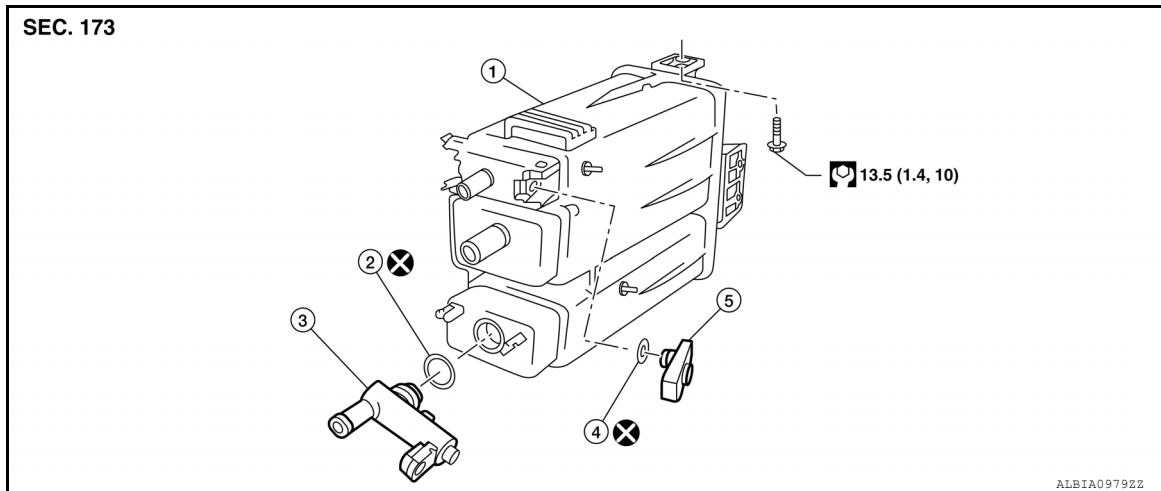
EVAP CANISTER

< UNIT REMOVAL AND INSTALLATION >

EVAP CANISTER

Exploded View

INFOID:000000011292070



- | | | |
|------------------|--|-------------------------------------|
| 1. EVAP canister | 2. O-ring | 3. EVAP canister vent control valve |
| 4. O-ring | 5. EVAP control system pressure sensor | |

Removal and Installation

INFOID:000000011292071

EVAP CANISTER

Removal

1. Remove LH rear tire and wheel. Refer to [WT-53. "Rotation"](#).
2. Disconnect the EVAP canister vent control valve and EVAP control system pressure sensor harness connectors.
3. Disconnect all three hoses from EVAP canister.
4. Remove EVAP canister bolt and EVAP canister.
5. If necessary, remove the EVAP canister vent control valve and EVAP control system pressure sensor.

Installation

Installation is in the reverse order of removal.

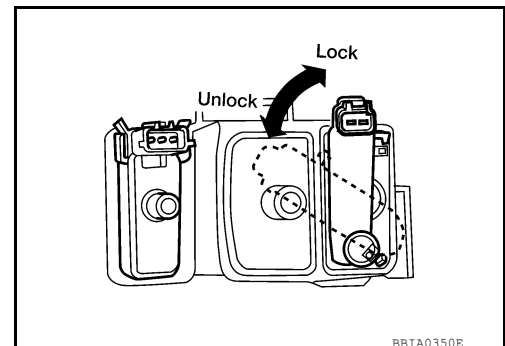
EVAP CANISTER VENT CONTROL VALVE

Removal

1. Remove LH rear tire and wheel. Refer to [WT-53. "Rotation"](#).
2. Disconnect EVAP canister vent control valve hose and electrical connector.
3. Release the lock and turn EVAP canister vent control valve counterclockwise.
4. Remove the EVAP canister vent control valve and O-ring.

CAUTION:

Do not reuse O-ring.



Installation

Installation is in the reverse order of removal.

EVAP CANISTER

< UNIT REMOVAL AND INSTALLATION >

CAUTION:

Do not reuse O-ring.

EVAP CONTROL SYSTEM PRESSURE SENSOR

Removal

1. Remove LH rear tire and wheel. Refer to [WT-53, "Rotation"](#).
2. Disconnect the EVAP canister hose.
3. Disconnect EVAP control system pressure sensor harness connector.
4. Spread open the hooks and pull up to remove EVAP control system pressure sensor and O-ring.

CAUTION:

Do not reuse O-ring.

Installation

Installation is in the reverse order of removal.

CAUTION:

Do not reuse O-ring.

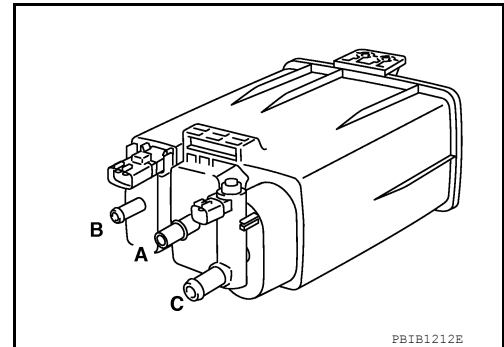
Component Inspection

INFOID:000000011292072

EVAP CANISTER

Check EVAP canister as follows:

1. Block port (B).
2. Blow air into port (A) and check that it flows freely out of port (C).
3. Release blocked port (B).
4. Apply vacuum pressure to port (B) and check that vacuum pressure exists at the ports (A) and (C).
5. Block port (A) and (B).
6. Apply pressure to port (C) and check that there is no leakage.



A
FL
C
D
E
F
G
H
I
J
K
L
M
N
O
P

FUEL LEVEL SENSOR UNIT, FUEL FILTER AND FUEL PUMP ASSEMBLY

< UNIT DISASSEMBLY AND ASSEMBLY >

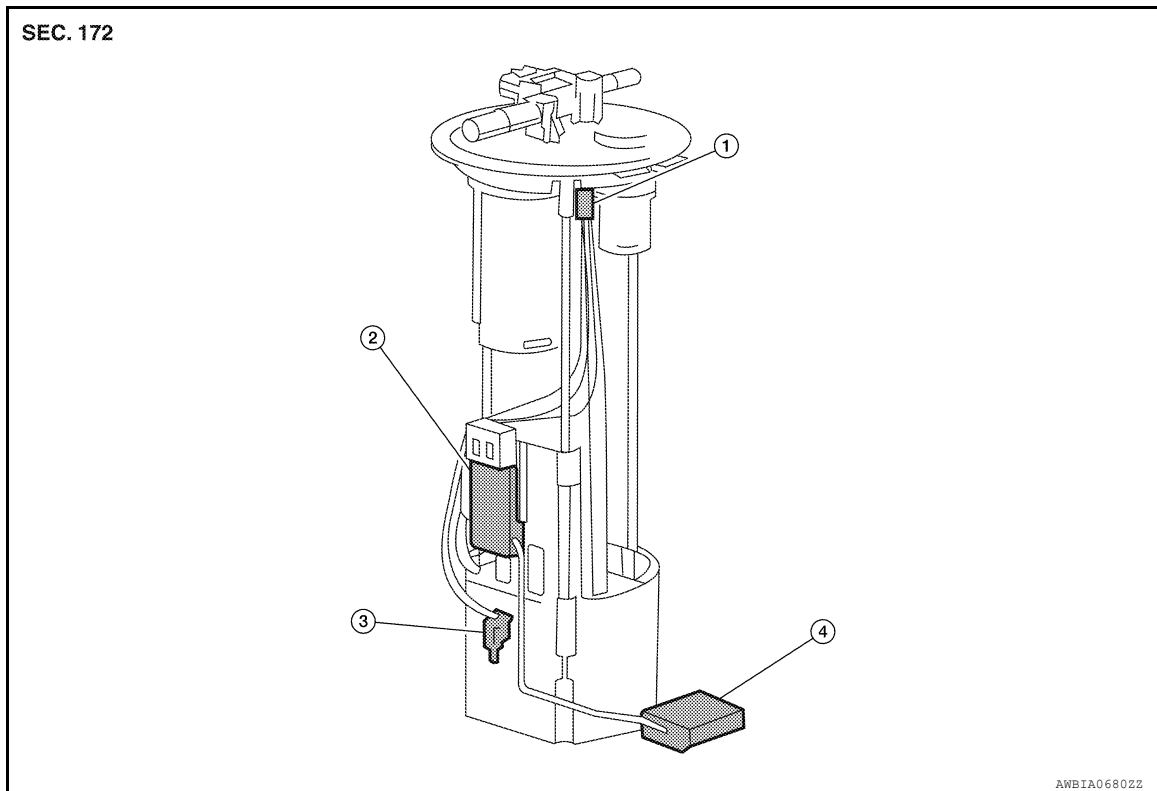
UNIT DISASSEMBLY AND ASSEMBLY

FUEL LEVEL SENSOR UNIT, FUEL FILTER AND FUEL PUMP ASSEMBLY

Disassembly and Assembly

INFOID:000000011292073

Fuel Level Sender Unit



1. Harness connector
2. Sending unit module
3. Fuel level sensor
4. Float arm assembly

Disassembly

1. Disconnect the harness connector.
2. Remove the fuel level sensor from the pump assembly.
3. Remove the sending unit module and float arm assembly.

Assembly

Assembly is in the reverse order of disassembly.

SERVICE DATA AND SPECIFICATIONS (SDS)

< SERVICE DATA AND SPECIFICATIONS (SDS)

SERVICE DATA AND SPECIFICATIONS (SDS)

SERVICE DATA AND SPECIFICATIONS (SDS)

Standard and Limit

INFOID:0000000011292074

A

FL

Unit: ℓ (US gal, Imp gal)

Fuel tank capacity	105.8 ℓ (28, 23-1/4)
--------------------	----------------------

C

D

E

F

G

H

I

J

K

L

M

N

O

P