

SECTION **INT**
INTERIOR

A
B
C
D
E
F
G
H
I
INT
K
L
M
N
O
P

CONTENTS

SYMPTOM DIAGNOSIS	2	REMOVAL AND INSTALLATION	12
SQUEAK AND RATTLE TROUBLE DIAG- NOSES	2	FRONT DOOR FINISHER	12
Work Flow	2	Exploded View	12
Inspection Procedure	4	Removal and Installation	12
Diagnostic Worksheet	6	REAR DOOR FINISHER	14
PRECAUTION	8	Exploded View	14
PRECAUTIONS	8	Removal and Installation	14
Precaution for Supplemental Restraint System (SRS) "AIR BAG" and "SEAT BELT PRE-TEN- SIONER"	8	BODY SIDE TRIM	16
Precautions Necessary for Steering Wheel Rota- tion After Battery Disconnection	8	Exploded View	16
Precaution for Procedure without Cowl Top Cover.....	9	Removal and Installation	16
Precaution for Work	9	FLOOR TRIM	19
PREPARATION	10	Exploded View	19
PREPARATION	10	Removal and Installation	19
Special Service Tools	10	HEADLINING	21
Commercial Service Tools	10	Exploded View	21
CLIP LIST	11	Removal and Installation	21
Clip List	11	LUGGAGE FLOOR TRIM	24
		Exploded View	24
		Removal and Installation	24
		BACK DOOR TRIM	27
		Exploded View	27
		Removal and Installation	27

SQUEAK AND RATTLE TROUBLE DIAGNOSES

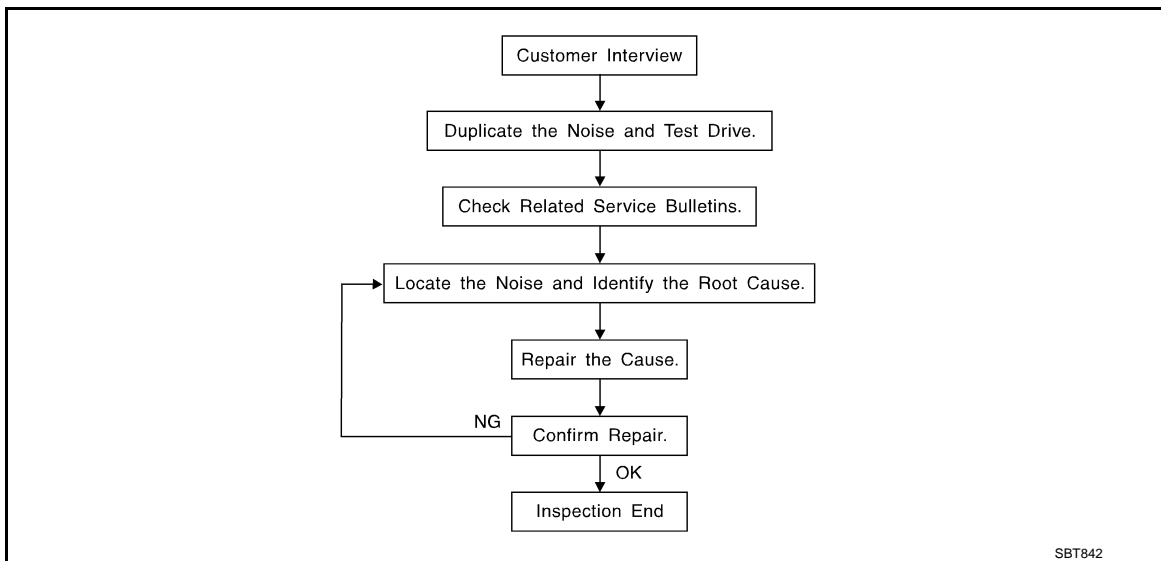
< SYMPTOM DIAGNOSIS >

SYMPTOM DIAGNOSIS

SQUEAK AND RATTLE TROUBLE DIAGNOSES

Work Flow

INFOID:000000008452777



CUSTOMER INTERVIEW

Interview the customer if possible, to determine the conditions that exist when the noise occurs. Use the Diagnostic Worksheet during the interview to document the facts and conditions when the noise occurs and any customer comments. Refer to [INT-6. "Diagnostic Worksheet"](#). This information is necessary to duplicate the conditions that exist when the noise occurs.

- The customer may not be able to provide a detailed description or the location of the noise. Attempt to obtain all the facts and conditions that exist when the noise occurs (or does not occur).
- If there is more than one noise in the vehicle, perform a diagnosis and repair the noise that the customer is concerned about. This can be accomplished by performing a test drive with the customer.
- After identifying the type of noise, isolate the noise in terms of its characteristics. The noise characteristics are provided so that the customer, service adviser, and technician use the same language when describing the noise.
- Squeak – (Like tennis shoes on a clean floor)
Squeak characteristics include the light contact / fast movement / brought on by road conditions / hard surfaces = high-pitched noise / softer surfaces = low-pitched noises / edge to surface = chirping
- Creak – (Like walking on an old wooden floor)
Creak characteristics include firm contact / slow movement/twisting with a rotational movement / pitch dependent on materials / often brought on by activity.
- Rattle – (Like shaking a baby rattle)
Rattle characteristics include fast repeated contact / vibration or similar movement / loose parts/missing clip or fastener / incorrect clearance.
- Knock – (Like a knock on a door)
Knock characteristics include hollow sounds / sometimes repeating / often brought on by driver action.
- Tick – (Like a clock second hand)
Tick characteristics include gentle contacting of light materials / loose components / can be caused by driver action or road conditions.
- Thump – (Heavy, muffled knock noise)
Thump characteristics include softer knock / dull sounds often brought on by activity.
- Buzz – (Like a bumblebee)
Buzz characteristics include high frequency rattle / firm contact.
- Often the degree of acceptable noise level varies depending upon the person. A noise that a technician may judge as acceptable may be very irritating to a customer.
- Weather conditions, especially humidity and temperature, may have a great effect on noise level.

DUPLICATE THE NOISE AND TEST DRIVE

SQUEAK AND RATTLE TROUBLE DIAGNOSES

< SYMPTOM DIAGNOSIS >

If possible, drive the vehicle with the customer until the noise is duplicated. Note any additional information on the Diagnostic Worksheet regarding the conditions or location of the noise. This information can be used to duplicate the same conditions when the repair is reconfirmed.

If the noise can be duplicated easily during the test drive, to help identify the source of the noise, try to duplicate the noise with the vehicle stopped by doing one or all of the following items:

- 1) Close a door.
 - 2) Tap or push/pull around the area where the noise appears to be coming from.
 - 3) Rev the engine.
 - 4) Use a floor jack to recreate vehicle "twist".
 - 5) At idle, apply engine load (electrical load, half-clutch on M/T models, drive position on A/T models).
 - 6) Raise the vehicle on a hoist and hit a tire with a rubber hammer.
- Drive the vehicle and attempt to duplicate the conditions the customer states exist when the noise occurs.
 - If it is difficult to duplicate the noise, drive the vehicle slowly on an undulating or rough road to stress the vehicle body.

CHECK RELATED SERVICE BULLETINS

After verifying the customer concern or symptom, check ASIST for Technical Service Bulletins (TSBs) related to the concern or symptom.

If a TSB relates to the symptom, follow the procedure to repair the noise.

LOCATE THE NOISE AND IDENTIFY THE ROOT CAUSE

1. Narrow down the noise to a general area. To help pinpoint the source of the noise, use a listening tool (Chassis ear: J-39570, engine ear, and mechanics stethoscope).
2. Narrow down the noise to a more specific area and identify the cause of the noise by:
 - Removing the component(s) in the area that is / are suspected to be the cause of the noise. Do not use too much force when removing clips and fasteners, otherwise clips and fasteners can be broken or lost during the repair, resulting in the creation of new noise.
 - Tapping or pushing/pulling the component(s) that is / are suspected to be the cause of the noise. Do not tap or push/pull the component(s) with excessive force, otherwise the noise is eliminated only temporarily.
 - Feeling for a vibration by hand by touching the component(s) that is / are suspected to be the cause of the noise.
 - Placing a piece of paper between components that are suspected to be the cause of the noise.
 - Looking for loose components and contact marks.
Refer to [INT-4, "Inspection Procedure"](#).

REPAIR THE CAUSE

- If the cause is a loose component, tighten the component securely.
- If the cause is insufficient clearance between components:
 - Separate components by repositioning or loosening and retightening the components, if possible.
 - Insulate components with a suitable insulator such as urethane pads, foam blocks, felt cloth tape, or urethane tape. A NISSAN Squeak and Rattle Kit (J-43980) is available through the authorized NISSAN Parts Department.

CAUTION:

Never use excessive force as many components are constructed of plastic and may be damaged.

NOTE:

Always check with the Parts Department for the latest parts information.

The following materials are contained in the NISSAN Squeak and Rattle Kit (J-43980). Each item can be ordered separately as needed.

URETHANE PADS [1.5 mm (0.059 in) thick]

Insulates connectors, harness, etc.

- 76268-9E005: 100 × 135 mm (3.937 × 5.315 in)
- 76884-71L01: 60 × 85 mm (2.362 × 3.346 in)
- 76884-71L02: 15 × 25 mm (0.591 × 0.984 in)

INSULATOR (Foam blocks)

Insulates components from contact. Can be used to fill space behind a panel.

- 73982-9E000: 45 mm (1.772 in) thick, 50 × 50 mm (1.969 × 1.969 in)
- 73982-50Y00: 10 mm (0.394 in) thick, 50 × 50 mm (1.969 × 1.969 in)

INSULATOR (Light foam block)

80845-71L00: 30 mm (1.18 in) thick, 30 × 50 mm (1.181 × 1.969 in)

FELT CLOTHTAPE

SQUEAK AND RATTLE TROUBLE DIAGNOSES

< SYMPTOM DIAGNOSIS >

Used to insulate where movement does not occur. Ideal for instrument panel applications.

- 68370-4B000: 15 × 25 mm (0.591 × 0.984 in) pad
- 68239-13E00: 5 mm (0.197 in) wide tape roll

The following materials, not found in the kit, can also be used to repair squeaks and rattles.

UHMW (TEFLON) TAPE

Insulates where slight movement is present. Ideal for instrument panel applications.

SILICONE GREASE

Used in place of UHMW tape that is visible or does not fit. Only lasts a few months.

SILICONE SPRAY

Used when grease cannot be applied.

DUCT TAPE

Used to eliminate movement.

CONFIRM THE REPAIR

After repair is complete, test drive the vehicle to confirm that the cause of noise is repaired by test driving the vehicle. Operate the vehicle under the same conditions as when the noise originally occurred. Refer to the notes on the Diagnostic Worksheet.

Inspection Procedure

INFOID:000000008452778

Refer to Table of Contents for specific component removal and installation information.

INSTRUMENT PANEL

Most incidents are caused by contact and movement between:

1. The cluster lid A and instrument panel
2. Acrylic lens and combination meter housing
3. Instrument panel to front pillar garnish
4. Instrument panel to windshield
5. Instrument panel mounting pins
6. Wiring harnesses behind the combination meter
7. A/C defroster duct and duct joint

These incidents can usually be located by tapping or moving the components to duplicate the noise or by pressing on the components while driving to stop the noise. Most of these incidents can be repaired by applying felt cloth tape or silicon spray (in hard to reach areas). Urethane pads can be used to insulate wiring harness.

CAUTION:

Never use silicone spray to isolate a squeak or rattle. If the area is saturated with silicone, the recheck of repair becomes impossible.

CENTER CONSOLE

Components to check include:

1. Shifter assembly cover to finisher
2. A/C control unit and cluster lid C
3. Wiring harnesses behind audio and A/C control unit

The instrument panel repair and isolation procedures also apply to the center console.

DOORS

Check the following items:

1. Finisher and inner panel making a slapping noise
2. Inside handle escutcheon connection to door finisher
3. Wiring harnesses tapping
4. Door striker out of alignment causing a popping noise on starts and stops

Tapping, moving the components, or pressing on them while driving to duplicate the conditions can isolate many of these incidents. The areas can usually be insulated with felt cloth tape or insulator foam blocks from the NISSAN Squeak and Rattle Kit (J-43980) to repair the noise.

TRUNK

Trunk noises are often caused by a loose jack or loose items put into the trunk by the customer.

In addition check for the following items:

SQUEAK AND RATTLE TROUBLE DIAGNOSES

< SYMPTOM DIAGNOSIS >

1. Trunk lid dumpers out of adjustment
2. Trunk lid striker out of adjustment
3. Trunk lid torsion bars knocking together
4. A loose license plate or bracket

Most of these incidents can be repaired by adjusting, securing, or insulating the item(s) or component(s) causing the noise.

SUNROOF/HEADLINING

Noises in the sunroof / headlining area can often be traced to one of the following items:

1. Sunroof lid, rail, linkage, or seals making a rattle or light knocking noise
2. Sunvisor shaft shaking in the holder
3. Front or rear windshield touching headlining and squeaking

Again, pressing on the components to stop the noise while duplicating the conditions can isolate most of these incidents. Repairs usually consist of insulating with felt cloth tape.

SEATS

When isolating seat noise it is important to note the position the seat is in and the load placed on the seat when the noise occurs. These conditions should be duplicated when verifying and isolating the cause of the noise.

Causes of seat noise include:

1. Headrest rods and holder
2. A squeak between the seat pad cushion and frame
3. The rear seatback lock and bracket

These noises can be isolated by moving or pressing on the suspected components while duplicating the conditions under which the noise occurs. Most of these incidents can be repaired by repositioning the component or applying urethane tape to the contact area.

UNDERHOOD

Some interior noise may be caused by components under the hood or on the engine wall. The noise is then transmitted into the passenger compartment.

Causes of transmitted underhood noise include:

1. Any component mounted to the engine wall
2. Components that pass through the engine wall
3. Engine wall mounts and connectors
4. Loose radiator mounting pins
5. Hood bumpers out of adjustment
6. Hood striker out of adjustment

These noises can be difficult to isolate since they cannot be reached from the interior of the vehicle. The best method is to secure, move, or insulate one component at a time and test drive the vehicle. Also, engine RPM or load can be changed to isolate the noise. Repairs can usually be made by moving, adjusting, securing, or insulating the component causing the noise.

A

B

C

D

E

F

G

H

I

INT

K

L

M

N

O

P

SQUEAK AND RATTLE TROUBLE DIAGNOSES

< SYMPTOM DIAGNOSIS >

Diagnostic Worksheet

INFOID:000000008452779



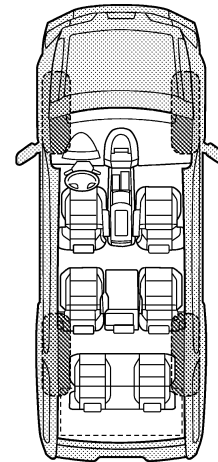
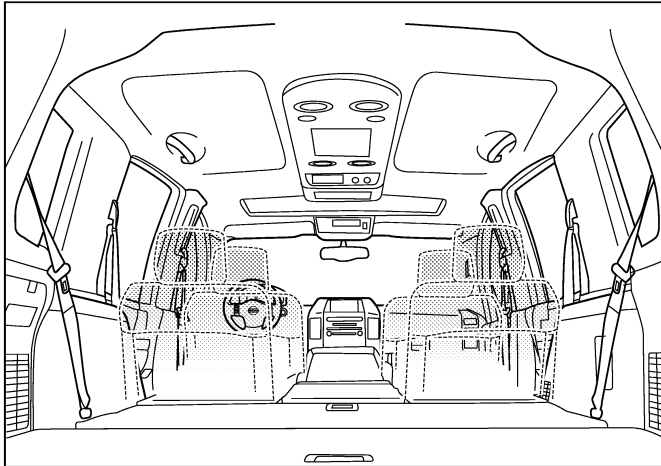
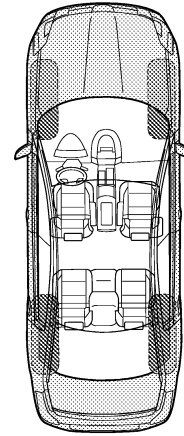
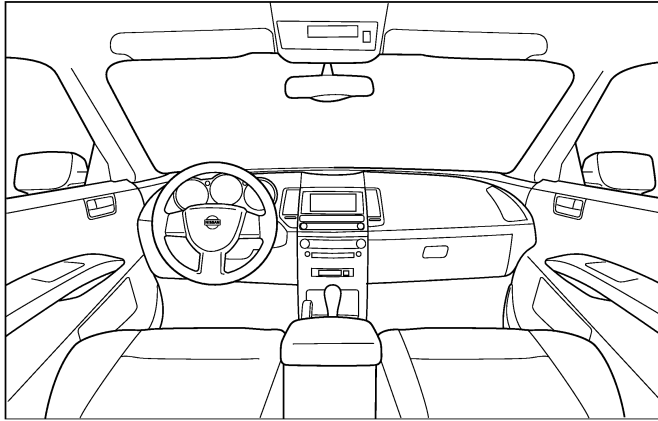
SQUEAK & RATTLE DIAGNOSTIC WORKSHEET

Dear Nissan Customer:

We are concerned about your satisfaction with your Nissan vehicle. Repairing a squeak or rattle sometimes can be very difficult. To help us fix your Nissan right the first time, please take a moment to note the area of the vehicle where the squeak or rattle occurs and under what conditions. You may be asked to take a test drive with a service advisor or technician to ensure we confirm the noise you are hearing.

I. WHERE DOES THE NOISE COME FROM? (circle the area of the vehicle)

The illustrations are for reference only, and may not reflect the actual configuration of your vehicle.



Continue to page 2 of the worksheet and briefly describe the location of the noise or rattle. In addition, please indicate the conditions which are present when the noise occurs.

PIIB8740E

SQUEAK AND RATTLE TROUBLE DIAGNOSES

< SYMPTOM DIAGNOSIS >

SQUEAK & RATTLE DIAGNOSTIC WORKSHEET - page 2

Briefly describe the location where the noise occurs:

II. WHEN DOES IT OCCUR? (please check the boxes that apply)

- | | |
|---|--|
| <input type="checkbox"/> anytime | <input type="checkbox"/> after sitting out in the rain |
| <input type="checkbox"/> 1st time in the morning | <input type="checkbox"/> when it is raining or wet |
| <input type="checkbox"/> only when it is cold outside | <input type="checkbox"/> dry or dusty conditions |
| <input type="checkbox"/> only when it is hot outside | <input type="checkbox"/> other: |

III. WHEN DRIVING:

- through driveways
- over rough roads
- over speed bumps
- only about ____ mph
- on acceleration
- coming to a stop
- on turns: left, right or either (circle)
- with passengers or cargo
- other: _____
- after driving ____ miles or ____ minutes

IV. WHAT TYPE OF NOISE

- squeak (like tennis shoes on a clean floor)
- creak (like walking on an old wooden floor)
- rattle (like shaking a baby rattle)
- knock (like a knock at the door)
- tick (like a clock second hand)
- thump (heavy, muffled knock noise)
- buzz (like a bumble bee)

TO BE COMPLETED BY DEALERSHIP PERSONNEL

Test Drive Notes:

	YES	NO	Initials of person performing
Vehicle test driven with customer	<input type="checkbox"/>	<input type="checkbox"/>	_____
- Noise verified on test drive	<input type="checkbox"/>	<input type="checkbox"/>	_____
- Noise source located and repaired	<input type="checkbox"/>	<input type="checkbox"/>	_____
- Follow up test drive performed to confirm repair	<input type="checkbox"/>	<input type="checkbox"/>	_____

VIN: _____ Customer Name: _____
W.O.# _____ Date: _____

This form must be attached to Work Order

PIIB8742E

A
B
C
D
E
F
G
H
I
INT
K
L
M
N
O
P

PRECAUTIONS

< PRECAUTION >

PRECAUTION

PRECAUTIONS

Precaution for Supplemental Restraint System (SRS) "AIR BAG" and "SEAT BELT PRE-TENSIONER"

INFOID:000000008452780

The Supplemental Restraint System such as "AIR BAG" and "SEAT BELT PRE-TENSIONER", used along with a front seat belt, helps to reduce the risk or severity of injury to the driver and front passenger for certain types of collision. This system includes seat belt switch inputs and dual stage front air bag modules. The SRS system uses the seat belt switches to determine the front air bag deployment, and may only deploy one front air bag, depending on the severity of a collision and whether the front occupants are belted or unbelted. Information necessary to service the system safely is included in the "SRS AIR BAG" and "SEAT BELT" of this Service Manual.

WARNING:

Always observe the following items for preventing accidental activation.

- To avoid rendering the SRS inoperative, which could increase the risk of personal injury or death in the event of a collision that would result in air bag inflation, all maintenance must be performed by an authorized NISSAN/INFINITI dealer.
- Improper maintenance, including incorrect removal and installation of the SRS, can lead to personal injury caused by unintentional activation of the system. For removal of Spiral Cable and Air Bag Module, see "SRS AIR BAG".
- Never use electrical test equipment on any circuit related to the SRS unless instructed to in this Service Manual. SRS wiring harnesses can be identified by yellow and/or orange harnesses or harness connectors.

PRECAUTIONS WHEN USING POWER TOOLS (AIR OR ELECTRIC) AND HAMMERS

WARNING:

Always observe the following items for preventing accidental activation.

- When working near the Air Bag Diagnosis Sensor Unit or other Air Bag System sensors with the ignition ON or engine running, never use air or electric power tools or strike near the sensor(s) with a hammer. Heavy vibration could activate the sensor(s) and deploy the air bag(s), possibly causing serious injury.
- When using air or electric power tools or hammers, always switch the ignition OFF, disconnect the battery, and wait at least 3 minutes before performing any service.

Precautions Necessary for Steering Wheel Rotation After Battery Disconnection

INFOID:000000008452781

CAUTION:

Comply with the following cautions to prevent any error and malfunction.

- Before removing and installing any control units, first turn the ignition switch to the LOCK position, then disconnect both battery cables.
- After finishing work, confirm that all control unit connectors are connected properly, then re-connect both battery cables.
- Always use CONSULT to perform self-diagnosis as a part of each function inspection after finishing work. If a DTC is detected, perform trouble diagnosis according to self-diagnosis results.

For vehicle with steering lock unit, if the battery is disconnected or discharged, the steering wheel will lock and cannot be turned.

If turning the steering wheel is required with the battery disconnected or discharged, follow the operation procedure below before starting the repair operation.

OPERATION PROCEDURE

1. Connect both battery cables.

NOTE:

Supply power using jumper cables if battery is discharged.

2. Turn the ignition switch to ACC position.
(At this time, the steering lock will be released.)
3. Disconnect both battery cables. The steering lock will remain released with both battery cables disconnected and the steering wheel can be turned.

PRECAUTIONS

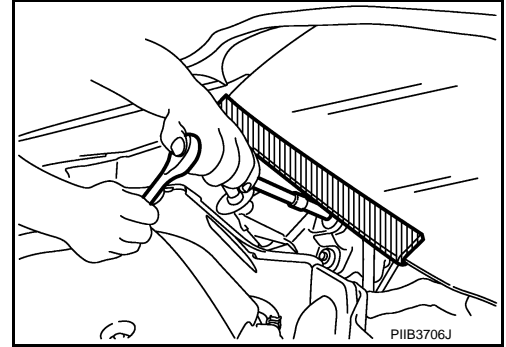
< PRECAUTION >

4. Perform the necessary repair operation.
5. When the repair work is completed, re-connect both battery cables. With the brake pedal released, turn the ignition switch from ACC position to ON position, then to LOCK position. (The steering wheel will lock when the ignition switch is turned to LOCK position.)
6. Perform self-diagnosis check of all control units using CONSULT.

Precaution for Procedure without Cowl Top Cover

INFOID:000000008452782

When performing the procedure after removing cowl top cover, cover the lower end of windshield with urethane, etc to prevent damage to windshield.



Precaution for Work

INFOID:000000008452783

- After removing and installing the opening/closing parts, be sure to carry out fitting adjustments to check their operation.
- Check the lubrication level, damage, and wear of each part. If necessary, grease or replace it.

A
B
C
D
E
F
G
H
I
K
L
M
N
O
P

INT

PREPARATION

< PREPARATION >

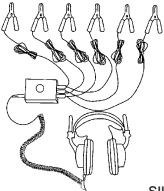
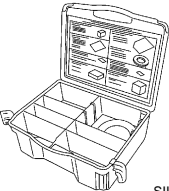
PREPARATION

PREPARATION

Special Service Tools

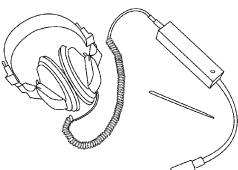
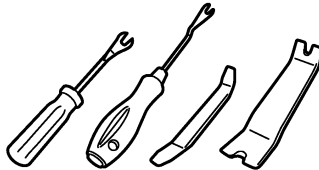
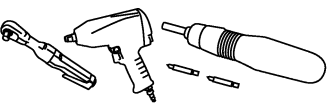
INFOID:000000008452784

The actual shapes of Kent-Moore tools may differ from those of special service tools illustrated here.

Tool number (Kent-Moore No.) Tool name	Description
<p>(J-39570) Chassis ear</p>  <p style="text-align: right;">SIIA0993E</p>	<p>Locates the noise</p>
<p>(J-43980) NISSAN Squeak and Rattle Kit</p>  <p style="text-align: right;">SIIA0994E</p>	<p>Repairs the cause of noise</p>

Commercial Service Tools

INFOID:000000008452785

Tool name	Description
<p>Engine ear</p>  <p style="text-align: right;">SIIA0995E</p>	<p>Locates the noise</p>
<p>Remover tool</p>  <p style="text-align: right;">JMKIA3050ZZ</p>	<p>Removes clips, pawls and metal clips</p>
<p>Power tool</p>  <p style="text-align: right;">PIIIB1407E</p>	

CLIP LIST

< PREPARATION >

CLIP LIST

Clip List

INFOID:000000008452786

Shapes	Removal & Installation	Shapes	Removal & Installation
	<p>Removal: Remove by bending up with flat-bladed screwdrivers or clip remover.</p>		<p>Removal:</p>
	<p>Removal: Remove with a clip remover.</p>		<p>Removal:</p>
	<p>Removal: Push center pin to catching position. (Do not remove center pin by hitting it.)</p> <p>Installation:</p>		<p>Removal: Holder portion of clip must be spread out to remove rod.</p>
	<p>Removal: Remove by bending up with flat-bladed screwdrivers or clip remover.</p>		<p>Removal:</p> <ol style="list-style-type: none"> Screw out with a Phillips screwdriver. Remove female portion with flat-bladed screwdriver.
	<p>Removal:</p>		<p>Removal:</p> <p>Rotate 45° to remove.</p> <p>Installation:</p>
	<p>Removal:</p>		<p>Removal:</p>

JMJIA3734GB

A
B
C
D
E
F
G
H
I
INT
K
L
M
N
O
P

FRONT DOOR FINISHER

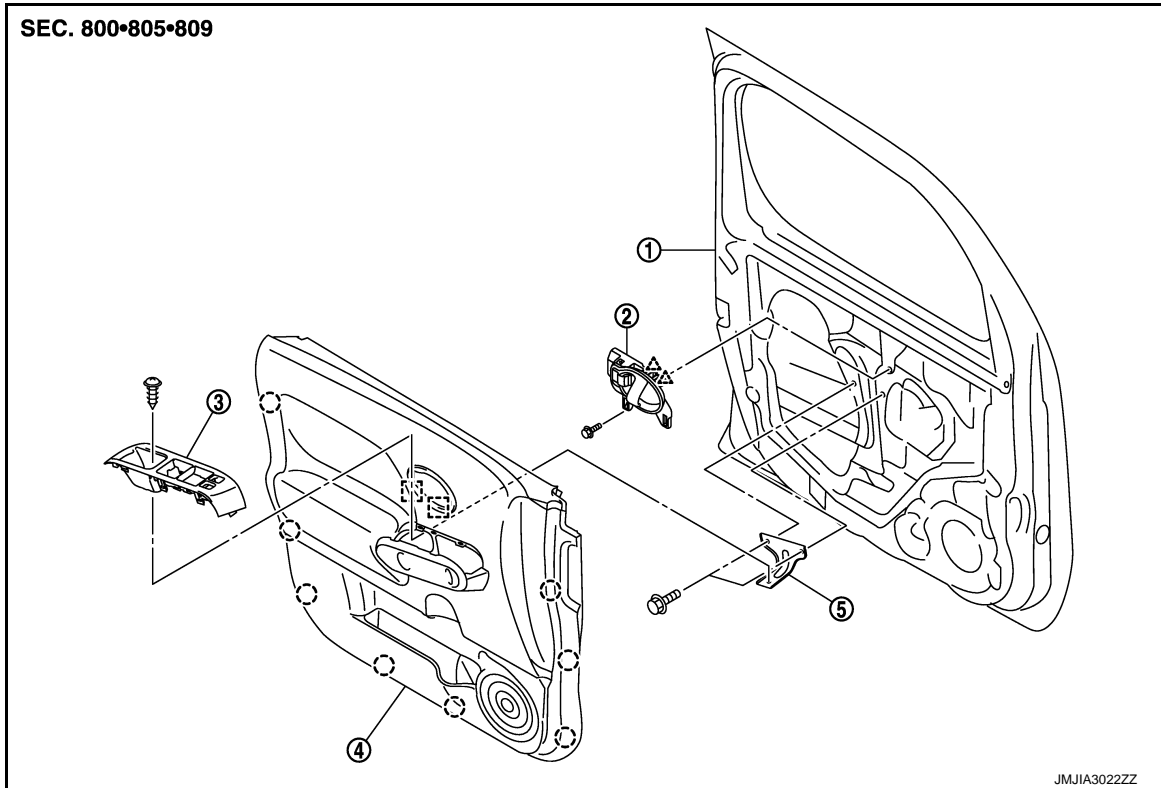
< REMOVAL AND INSTALLATION >

REMOVAL AND INSTALLATION

FRONT DOOR FINISHER

Exploded View

INFOID:000000008452787



- | | | |
|------------------------|--|--------------------------------------|
| 1. Front door panel | 2. Front door inside handle | 3. Power window main switch finisher |
| 4. Front door finisher | 5. Power window main switch finisher bracket | |

- : Clip
△ : Pawl
□ : Metal clip

Removal and Installation

INFOID:000000008452788

CAUTION:

- Wrap the tips of flat-bladed screwdriver with shop cloth before removal.
- When removing, always use a remover tool that is made of plastic.

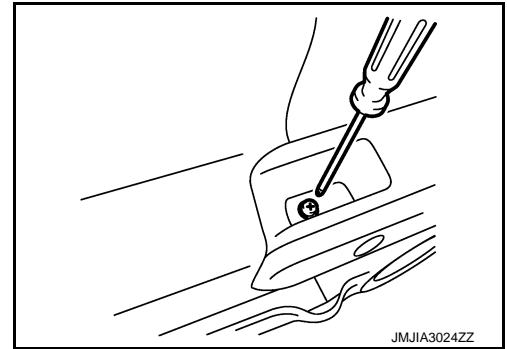
REMOVAL

1. Fully open door window.
2. Remove corner cover. Refer to [MIR-15, "DOOR MIRROR ASSEMBLY : Removal and Installation"](#).

FRONT DOOR FINISHER

< REMOVAL AND INSTALLATION >

3. Remove power window main switch finisher mounting screw.

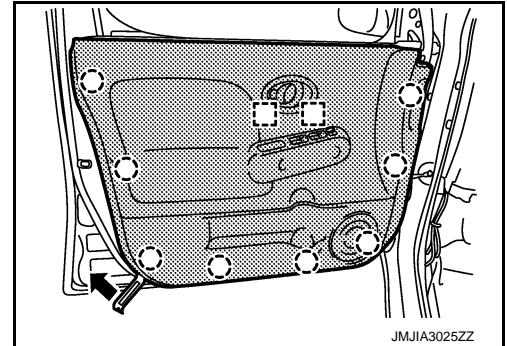


4. Insert remover tool between front door panel and front door finisher to disengage the fixing clips and metal clips.

CAUTION:

**Insert remover tool into part shown in the figure.
(Between clips and door panel).**

- : Clip
- : Metal clip



5. Disconnect power window main switch harness connector.
6. Remove front door finisher from front door panel.
7. Remove power window main switch finisher after removing front door finisher. Refer to [PWC-93, "Removal and Installation"](#).

INSTALLATION

Install in the reverse order of removal.

CAUTION:

When installing front door finisher, check that clips and metal clips are securely fitted in door panel hole on body, and then press them in.

A
B
C
D
E
F
G
H
I
INT
K
L
M
N
O
P

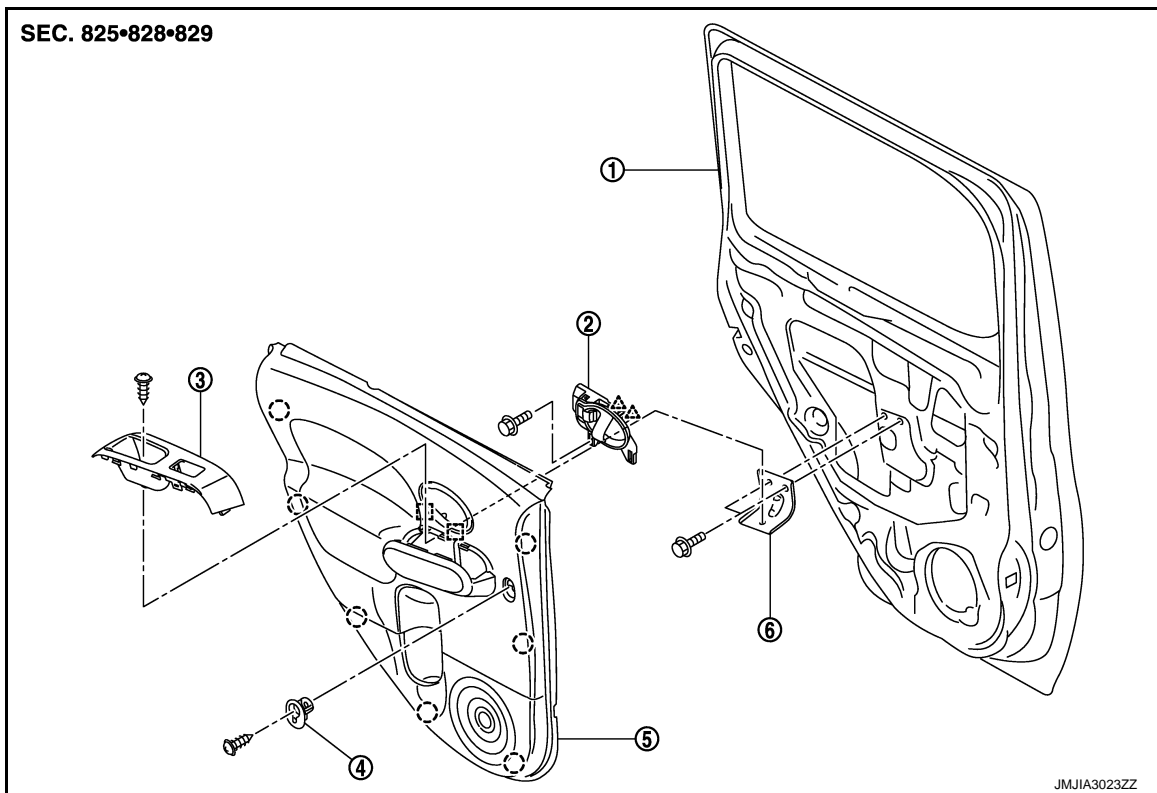
REAR DOOR FINISHER

< REMOVAL AND INSTALLATION >

REAR DOOR FINISHER

Exploded View

INFOID:000000008452789



- | | | |
|--------------------|----------------------------|---|
| 1. Rear door panel | 2. Rear door inside handle | 3. Power window switch finisher |
| 4. Hook cover | 5. Rear door finisher | 6. Power window switch finisher bracket |

- : Clip
△ : Pawl
□ : Metal clip

Removal and Installation

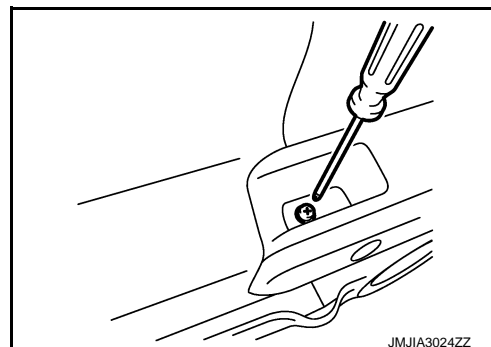
INFOID:000000008452790

CAUTION:

- Wrap the tips of flat-bladed screwdriver with shop cloth before removal.
- When removing, always use a remover tool that is made of plastic.

REMOVAL

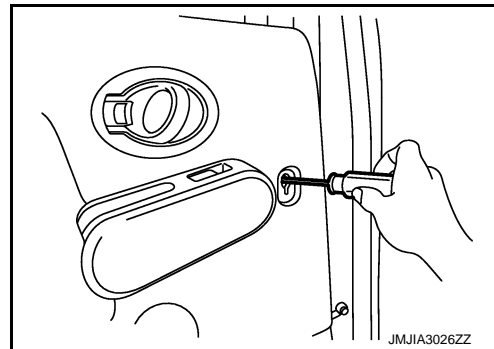
1. Fully open door window.
2. Remove power window switch finisher mounting screw.



REAR DOOR FINISHER

< REMOVAL AND INSTALLATION >

3. Remove hook cover mounting screw.

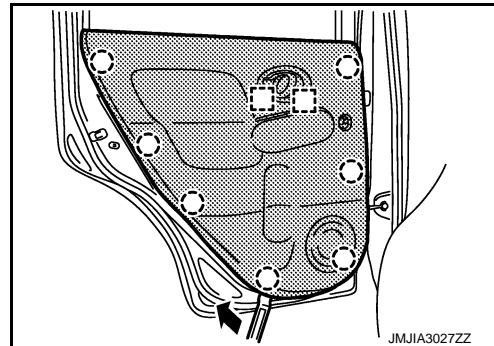


4. Insert remover tool between rear door panel and rear door finisher to disengage the fixing clips and metal clips.

CAUTION:

**Insert remover tool into part shown in the figure.
(Between clips and door panel).**

- : Clip
- : Metal clip



5. Disconnect power window switch harness connector.
6. Remove rear door finisher.
7. Remove power window switch finisher after removing rear door finisher.

INSTALLATION

Install in the reverse order of removal.

CAUTION:

When installing door finisher, check that clips and metal clips are securely fitted in holes on body, and then press them in.

A
B
C
D
E
F
G
H
I
INT
K
L
M
N
O
P

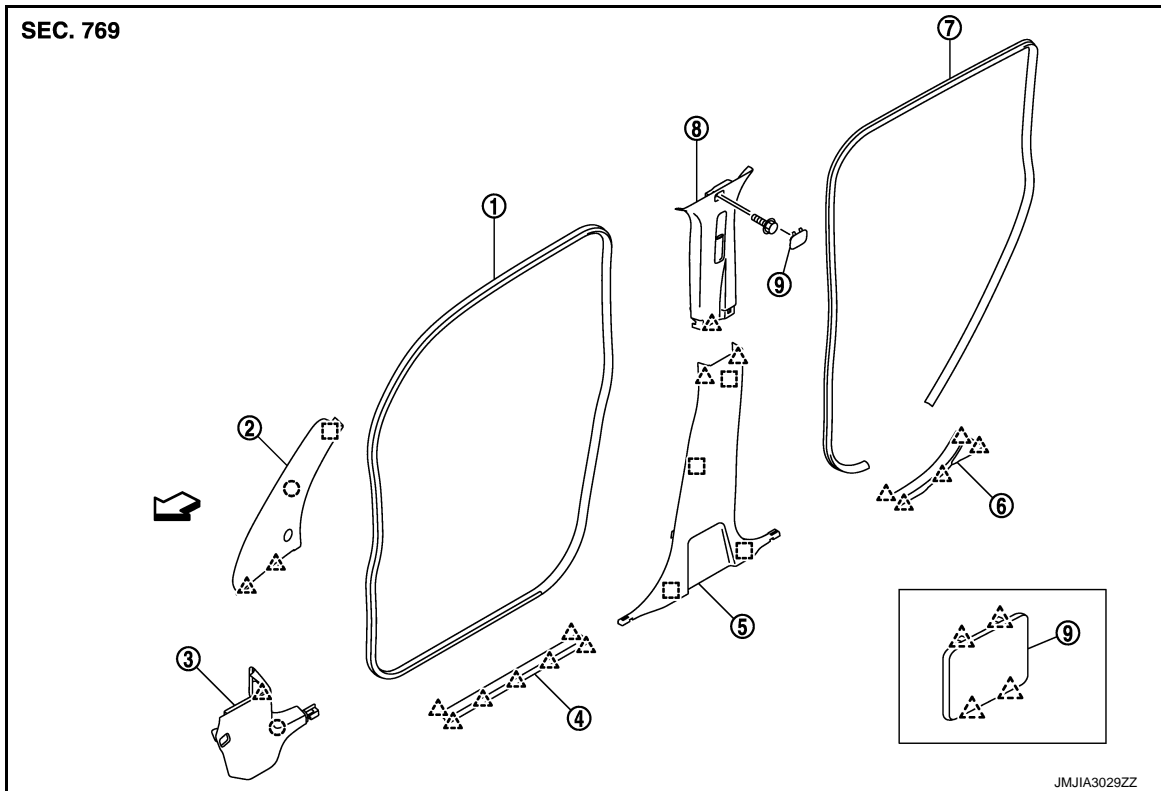
BODY SIDE TRIM

< REMOVAL AND INSTALLATION >

BODY SIDE TRIM

Exploded View

INFOID:000000008452791



- | | | |
|------------------------------|--------------------------------|-----------------------------|
| 1. Front body side welt | 2. Front pillar garnish | 3. Dash side finisher |
| 4. Front kicking plate inner | 5. Center pillar lower garnish | 6. Rear kicking plate inner |
| 7. Rear body side welt | 8. Center pillar upper garnish | 9. Bolt cover |

- : Clip
△ : Pawl
□ : Metal clip
↔ : Vehicle front

Removal and Installation

INFOID:000000008452792

CAUTION:

- Wrap the tips of flat-bladed screwdriver with a shop cloth before removing metal clips from garnishes.
- When removing, always use a remover tool that is made of plastic.
- Never damage the body.

REMOVAL

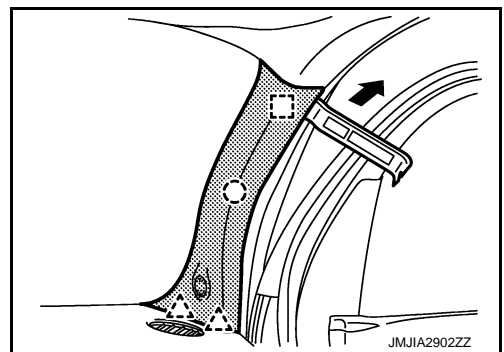
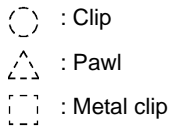
FRONT PILLAR GARNISH

1. Release front pillar portion of body side welt.

BODY SIDE TRIM

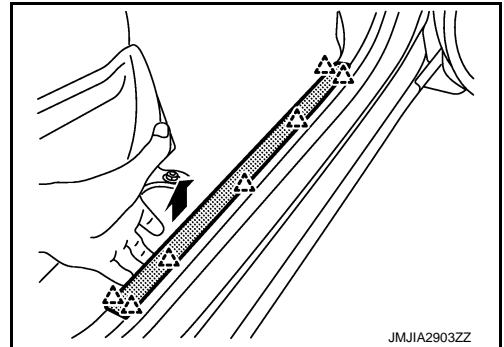
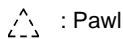
< REMOVAL AND INSTALLATION >

- Remove front pillar garnish.
 - Insert a remover tool between front pillar garnish and body panel.
 - Disengage metal clip, clip and pawls.
 - Pull out front pillar garnish to remove.



FRONT KICKING PLATE INNER

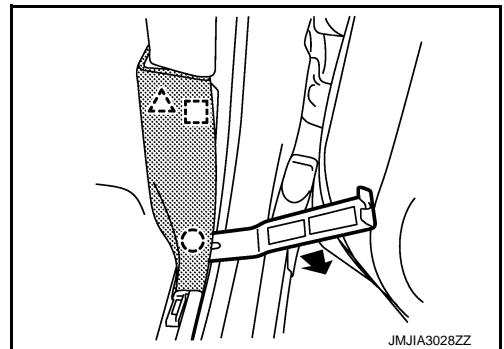
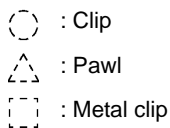
- Pull up front kicking plate to disengage the pawls.
- Remove front kicking plate from the body panel.



DASH SIDE FINISHER

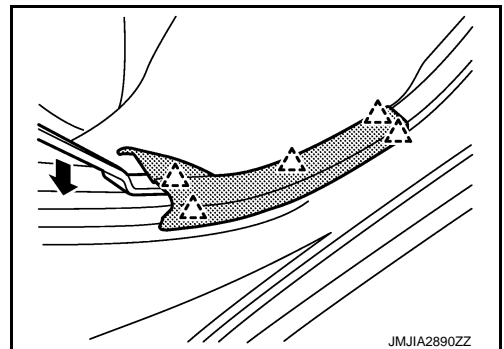
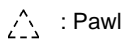
- Remove front kicking plate inner.
- Disengage dash side finisher fixing clip and pawl with remover tool.
- Pull back dash side finisher to remove it from metal clip.

NOTE:
The metal clip remain on the body side after removal of dash side finisher.



REAR KICKING PLATE INNER

Disengage rear dash side finisher fixing pawls and remove it.



FRONT BODY SIDE WELT

- Remove front kicking plate inner.
- Remove dash side finisher.
- Remove front body side welt from panel flange.

REAR BODY SIDE WELT

- Remove rear kicking plate inner.

A
B
C
D
E
F
G
H
I
INT
K
L
M
N
O
P

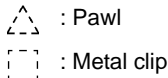
BODY SIDE TRIM

< REMOVAL AND INSTALLATION >

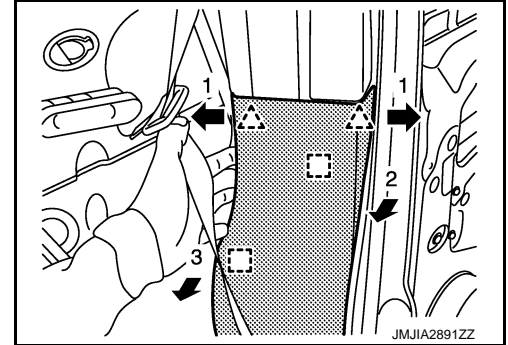
2. Remove rear body side welt from panel flange.

CENTER PILLAR LOWER GARNISH

1. Remove front kicking plate inner.
2. Remove rear kicking plate inner.
3. Remove front and rear body side welt.
4. Remove front seatbelt floor anchor bolts (LH/RH). Refer to [SB-6, "SEAT BELT RETRACTOR : Removal and Installation"](#).
5. Pull center pillar lower garnish crosswise to disengage the fixing pawls as shown in the figure by the arrow 1.
6. Pull back center pillar lower garnish to disengage the fixing metal clips.



7. Remove center pillar lower garnish from body panel.



CENTER PILLAR UPPER GARNISH

1. Remove center pillar lower garnish.
2. Remove front seatbelt shoulder anchor bolt. Refer to [SB-6, "SEAT BELT RETRACTOR : Exploded View"](#).
3. Remove front and rear body side welt.
4. Remove the bolt cover and the bolt behind that cover.
5. Pull up center pillar upper garnish to remove.

INSTALLATION

CAUTION:

When installing, check that clips, pawls and metal clips are securely fitted in panel holes on body, and then press them in.

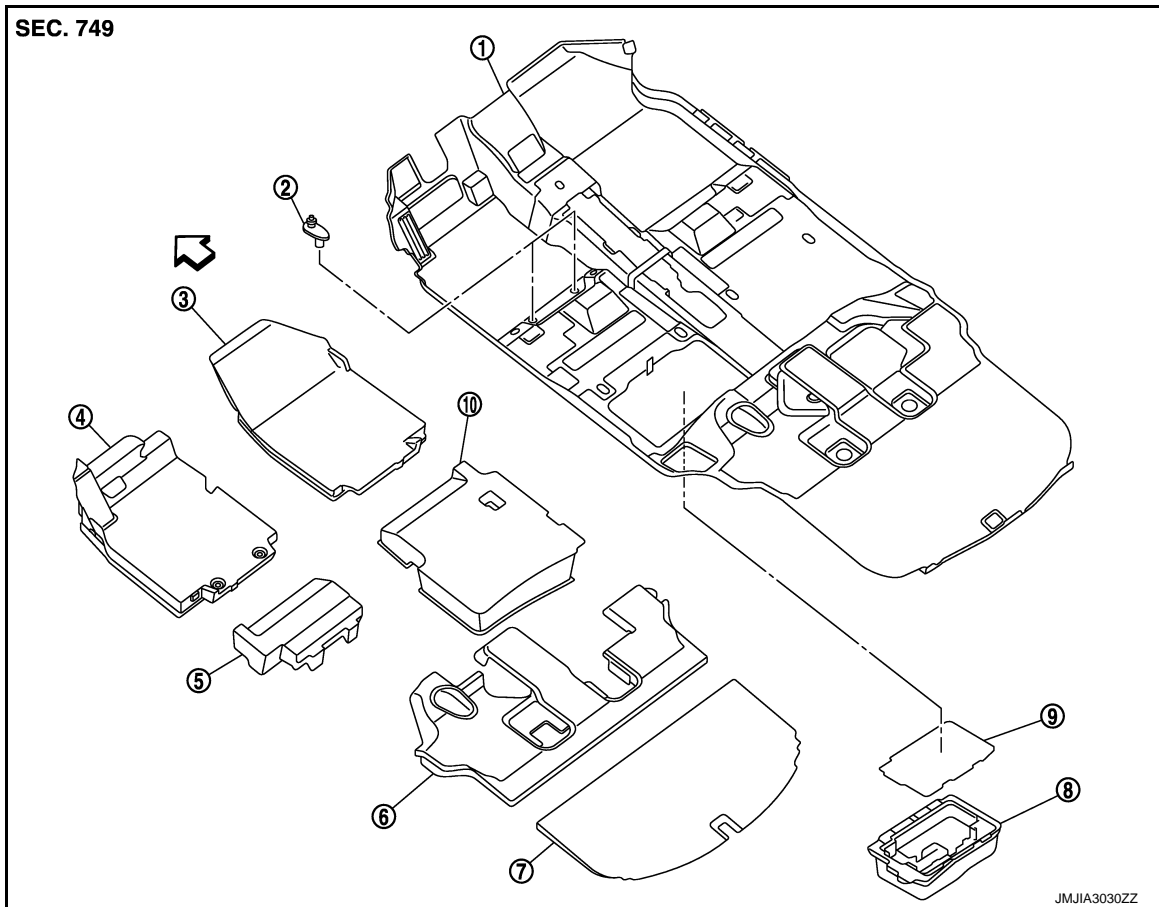
FLOOR TRIM

< REMOVAL AND INSTALLATION >

FLOOR TRIM

Exploded View

INFOID:000000008452793



- | | | |
|------------------------------|-------------------------|-------------------------------|
| 1. Floor trim | 2. Floor hook | 3. Front floor spacer RH |
| 4. Front floor spacer LH | 5. Rear floor spacer LH | 6. Luggage floor spacer front |
| 7. Luggage floor spacer rear | 8. Tool box | 9. Tool box cover |
| 10. Rear floor spacer RH | | |
- ↶ : Vehicle front

Removal and Installation

INFOID:000000008452794

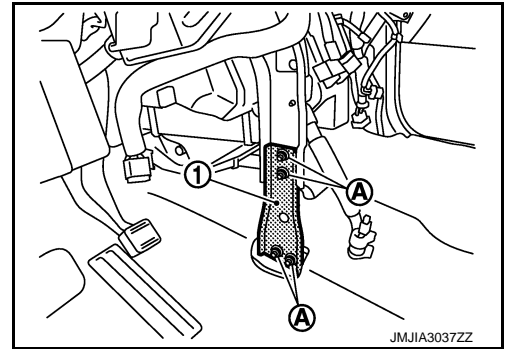
REMOVAL

1. Remove front seat assembly (LH/RH). Refer to [SE-17, "Removal and Installation"](#).
2. Remove rear seat cushion and seatback assembly (with rear seat). Refer to [SE-21, "Removal and Installation"](#).
3. Remove instrument lower cover, glove box lid and instrument lower panel. Refer to [IP-13, "Removal and Installation"](#).
4. Remove front seatbelt anchor bolt. Refer to [SB-8, "SEAT BELT BUCKLE : Exploded View"](#).
5. Remove front and rear kicking plate inner. Refer to [INT-16, "Removal and Installation"](#).
6. Remove dash side finisher. Refer to [INT-16, "Removal and Installation"](#).
7. Remove center pillar lower garnish. Refer to [INT-16, "Removal and Installation"](#).
8. Remove front body side welt and rear body side welt. Refer to [INT-16, "Removal and Installation"](#).

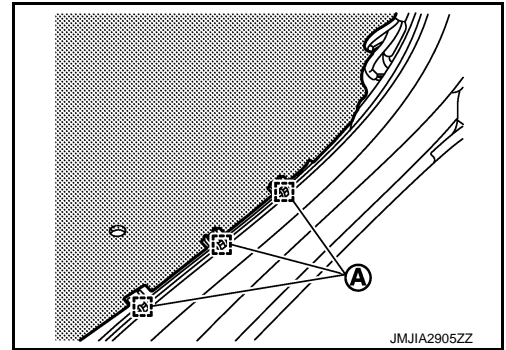
FLOOR TRIM

< REMOVAL AND INSTALLATION >

9. Remove front floor bracket (1) mounting nuts (A) and then remove front floor bracket.



10. Disconnect airbag harness connector and remove drain hose.
11. Remove floor carpet fixing clip (A).



12. Remove luggage rear plate. Refer to [INT-24, "Removal and Installation"](#).
13. Remove luggage side lower finisher (LH/RH). Refer to [INT-24, "Removal and Installation"](#).
14. Remove floor carpet through the back door.

INSTALLATION

Install in the reverse order of removal.

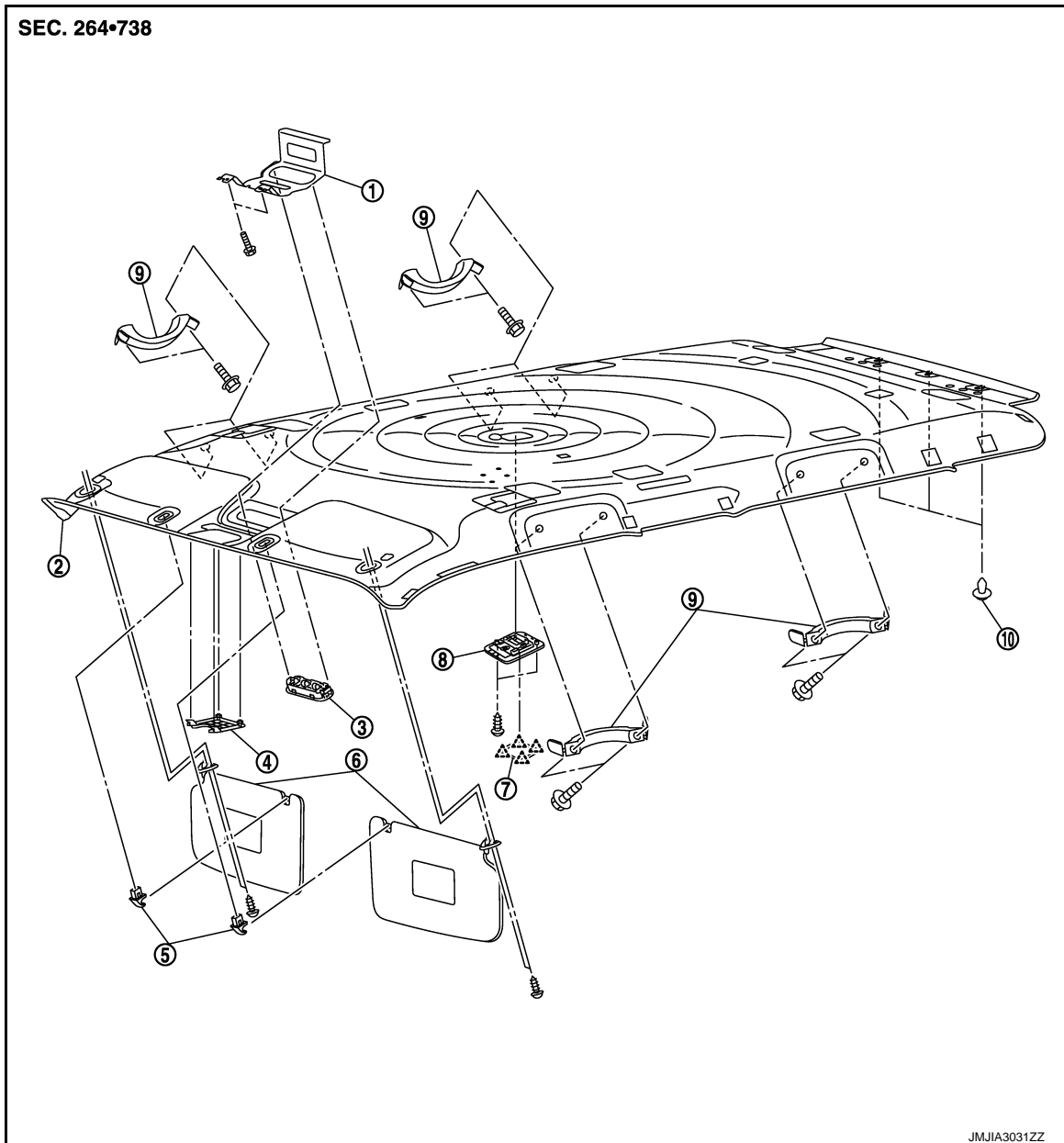
HEADLINING

< REMOVAL AND INSTALLATION >

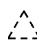
HEADLINING

Exploded View

INFOID:000000008452795



- | | | |
|------------------------|----------------------------|------------------------------|
| 1. Map lamp bracket | 2. Headlining assembly | 3. Map lamp assembly |
| 4. Inside mirror cover | 5. Sunvisor holder (LH/RH) | 6. Sunvisor assembly (LH/RH) |
| 7. Room lamp lens | 8. Room lamp assembly | 9. Assist grip |
| 10. Headlining clip | | |

 : Pawl

Removal and Installation

INFOID:000000008452796

REMOVAL

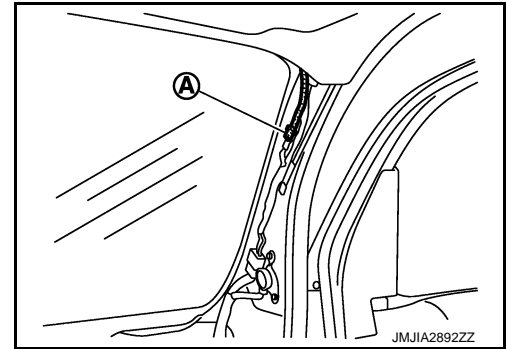
1. Remove front body side welt (LH/RH) and rear body side welt (LH/RH). Refer to [INT-16, "Removal and Installation"](#).
2. Remove front pillar garnish (LH/RH). Refer to [INT-16, "Removal and Installation"](#).

A
B
C
D
E
F
G
H
I
INT
K
L
M
N
O
P

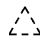
HEADLINING

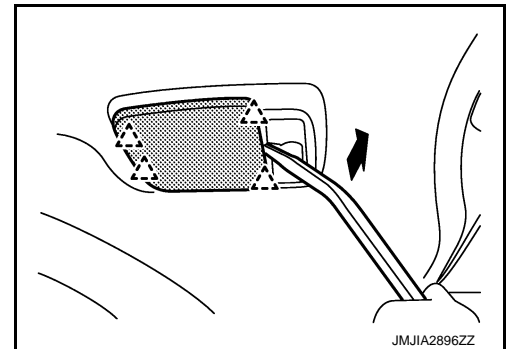
< REMOVAL AND INSTALLATION >

3. Disconnect microphone harness connector (A).




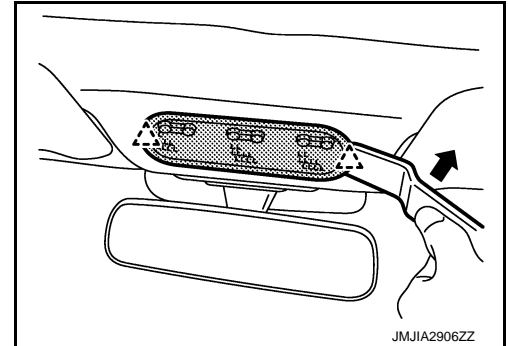
4. Remove center pillar upper garnish (LH/RH). Refer to [INT-16. "Removal and Installation"](#).
5. Remove luggage side upper finisher (LH/RH). Refer to [INT-24. "Removal and Installation"](#).
6. Remove sunvisor assembly mounting screws, and then remove sunvisor assembly (LH/RH).
7. Remove inside mirror cover and then remove inside mirror. Refer to [MIR-14. "Removal and Installation"](#).
8. Disengage room lamp lens fixing pawls with a remover tool, the mounting screws and then remove the room lamp. Refer to [INL-86. "Removal and Installation"](#).

 : Pawl




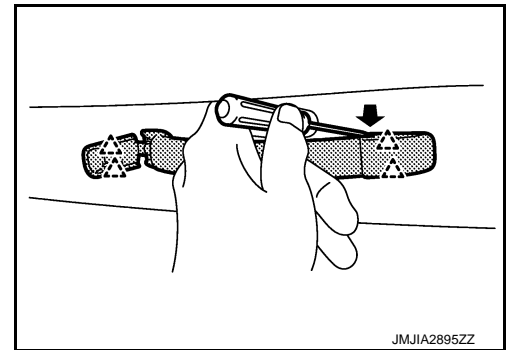
9. Disengage the map lamp fixing pawls with a remover tool and then remove the map lamp.

 : Pawl



10. Remove the assist grips.
• Insert a small minus driver as shown by the arrow in the figure to disengage the fixing pawls.
• Remove the mounting bolts.
• Pull out the assist grip to remove.

 : Pawl



11. Rotate the sunvisor holder (LH/RH) at approximately 90 degrees and then pull it down to remove.
12. Remove the headlining clip located at the rear side with a remover tool.

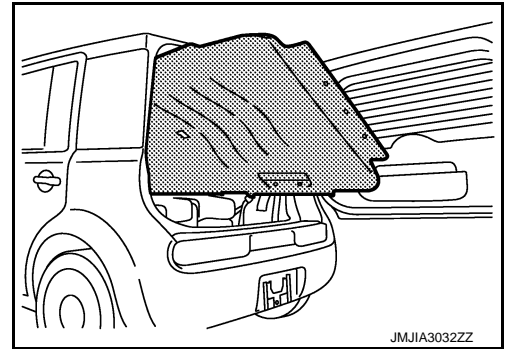
HEADLINING

< REMOVAL AND INSTALLATION >

13. Remove the headlining assembly through the back door.

CAUTION:

- When removing headlining, 2 workers are required. (1 for the front and rear of headlining)
- Cover center console finisher upper surface with a shop cloth to prevent it from being damaged.
- Never bend headlining when removing.



INSTALLATION

Install in the reverse order of removal.

CAUTION:

- Never bend headlining when installing.
- When installing, start by installing both sunvisor holders and headlining clips in order to keep the headlining in position.

A
B
C
D
E
F
G
H
I
K
L
M
N
O
P

INT

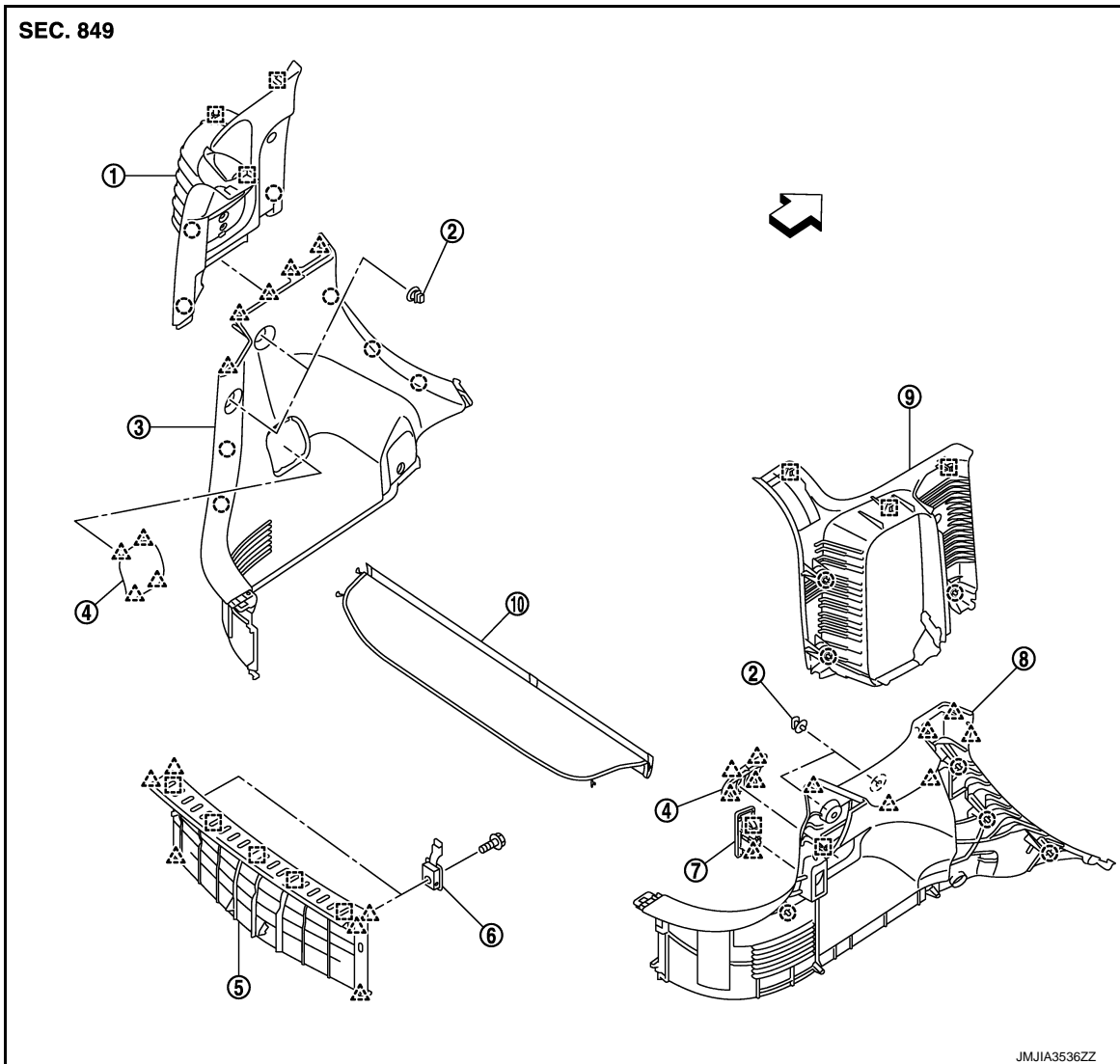
LUGGAGE FLOOR TRIM

< REMOVAL AND INSTALLATION >

LUGGAGE FLOOR TRIM

Exploded View

INFOID:000000008452797



- | | | |
|---|--|-----------------------------------|
| 1. Luggage side upper finisher LH | 2. Luggage side lower finisher clip (LH/ RH) | 3. Luggage side lower finisher LH |
| 4. Luggage side lower finisher lid (LH/ RH) | 5. Luggage rear plate | 6. Rope hook |
| 7. Luggage room lamp | 8. Luggage side lower finisher RH | 9. Luggage side upper finisher RH |
| 10. Tonneau cover | | |

○ : Clip

△ : Pawl

□ : Metal clip

↔ : Vehicle front

Removal and Installation

INFOID:000000008452798

REMOVAL

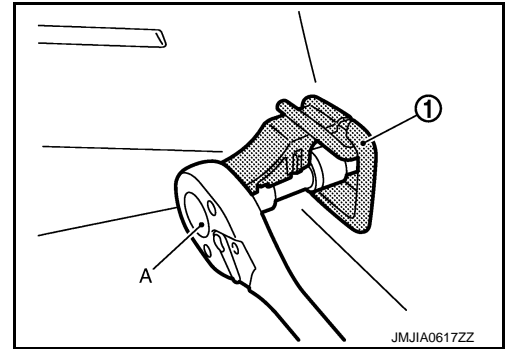
LUGGAGE REAR PLATE

1. Fully open back door.

LUGGAGE FLOOR TRIM

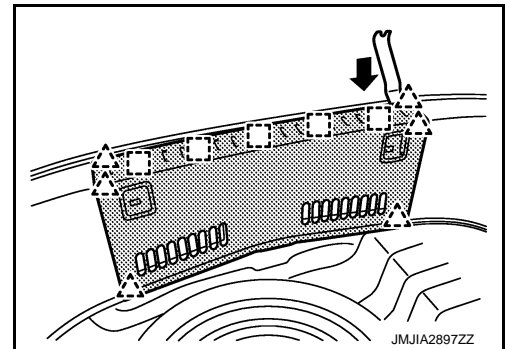
< REMOVAL AND INSTALLATION >

2. Remove tonneau cover.
3. Remove back door weather-strip. Refer to [DLK-184, "BACK DOOR WEATHER-STRIP : Removal and Installation"](#).
4. Remove rope hook (1) mounting bolt with a socket wrench (A) and then remove rope hook.



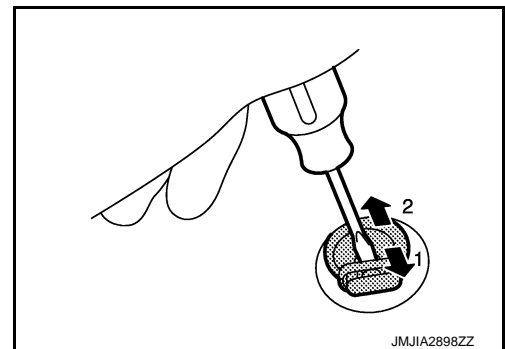
5. Insert a remover tool between luggage rear plate and back door panel to disengage the fixing pawls and metal clips, and then remove luggage rear plate.

- △ : Pawl
□ : Metal clip



LUGGAGE SIDE LOWER FINISHER

1. Remove luggage rear plate.
2. Recline rear seatback and then slide rear seat cushion and seatback toward vehicle front.
3. Remove rear body side welt. Refer to [INT-16, "Removal and Installation"](#).
4. Remove rear seatbelt floor anchor bolt. Refer to [SB-13, "SEAT BELT BUCKLE : Exploded View"](#).
5. Remove luggage clip.
 - Insert a small minus driver into the hole of luggage clip.
 - Slide the minus driver to unlock the clip.
 - Remove luggage clip.



6. Pull out carefully luggage side lower finisher to disengage clips, pawls and metal clips.
7. Disconnect luggage room lamp harness connector. Refer to [INL-87, "Removal and Installation"](#).


LUGGAGE SIDE UPPER FINISHER

1. Remove luggage side lower finisher.
2. Remove rear seatbelt shoulder anchor bolt. Refer to [SB-13, "SEAT BELT BUCKLE : Exploded View"](#).

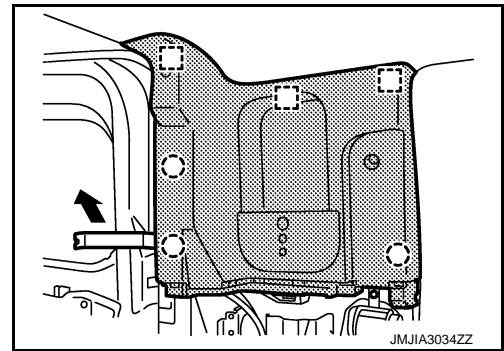
LUGGAGE FLOOR TRIM

< REMOVAL AND INSTALLATION >

3. Insert a remover tool between luggage side upper finisher and body panel to disengage clips, pawls and metal clips and then remove luggage side upper finisher.

 : Clip

 : Metal clip



INSTALLATION

Install in the reverse order of removal.

CAUTION:

When installing, check that clips, pawls and metal clips are securely fitted into panel holes on body, and then press them in.

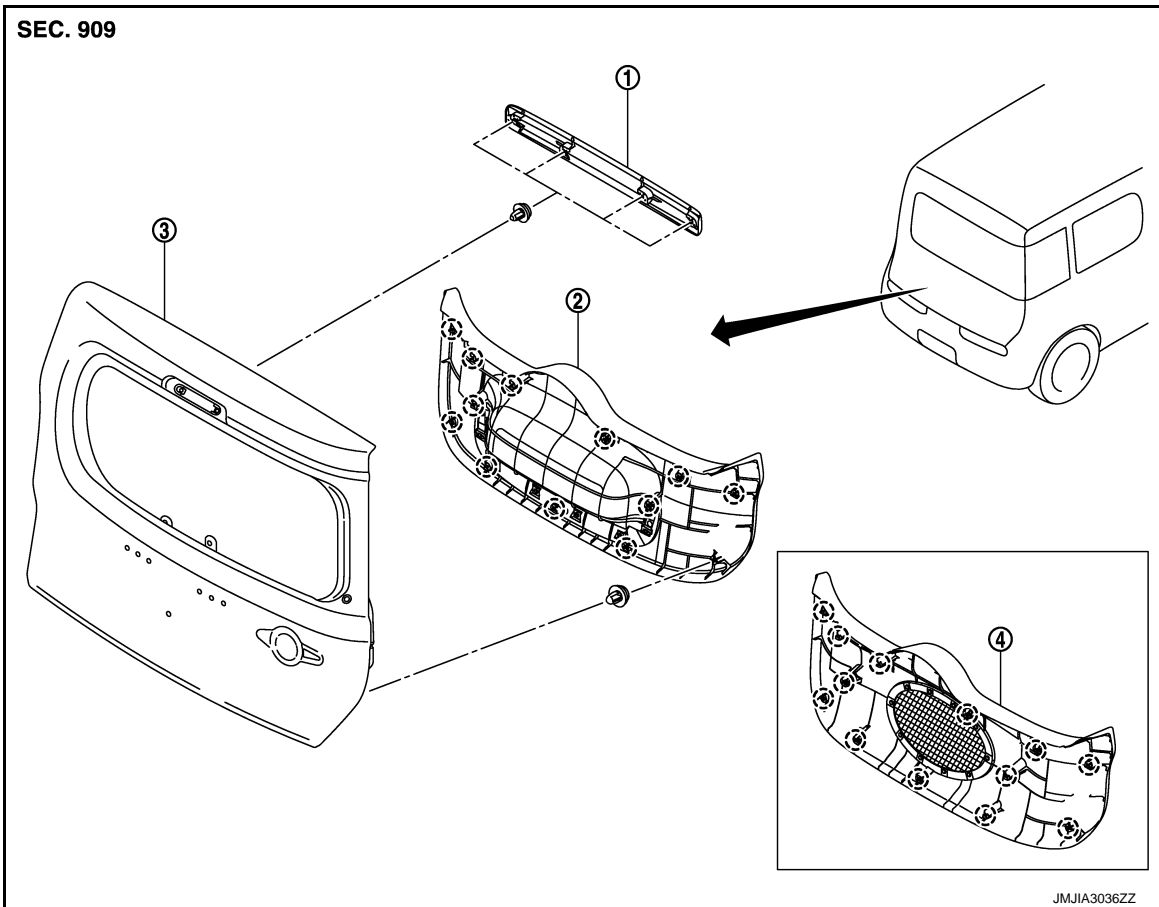
BACK DOOR TRIM

< REMOVAL AND INSTALLATION >


BACK DOOR TRIM

Exploded View

INFOID:000000008452799



- 1. Back door finisher upper
- 2. Back door finisher lower
- 3. Back door panel
- 4. Back door finisher lower (with Woofer)

 : Clip


Removal and Installation

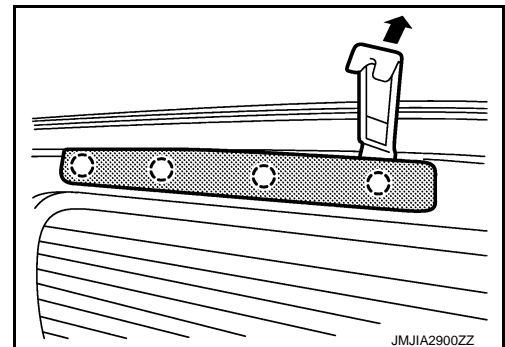
INFOID:000000008452800

REMOVAL

BACK DOOR FINISHER UPPER

1. Fully open back door
2. Insert a remover tool between back door panel and back door finisher upper to disengage the fixing clips and then remove back door finisher upper.

 : Clip



BACK DOOR FINISHER LOWER


A
B
C
D
E
F
G
H
I
INT

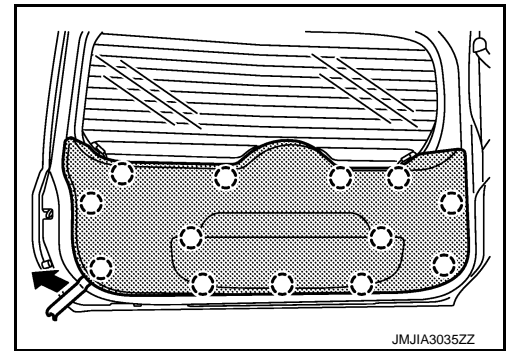
K
L
M
N
O
P

BACK DOOR TRIM

< REMOVAL AND INSTALLATION >

Insert a remover tool between back door panel and back door finisher lower to disengage the fixing clips and then remove back door finisher lower.

 : Clip



INSTALLATION

Install in the reverse order of removal.

CAUTION:

When installing, check that clips are securely fitted in panel holes on body, and then press them in.