

A

SECTION ACC

ACC

ACCELERATOR CONTROL SYSTEM

C

CONTENTS

D

E

REGULAR GRADE			
PRECAUTION	2	Inspection	4
PRECAUTIONS	2	Krom	
Precaution for Supplemental Restraint System (SRS) "AIR BAG" and "SEAT BELT PRE-TENSIONER"	2	SPEC CHANGE INFORMATION	5
REMOVAL AND INSTALLATION	3	DRILLED ALUMINUM PEDAL	5
ACCELERATOR CONTROL SYSTEM	3	Drilled Aluminum Pedal	5
Exploded View	3	REMOVAL AND INSTALLATION	6
Removal and Installation	3	DRILLED ALUMINUM PEDAL	6
		Removal and Installation of Drilled Aluminum Pedal	6

F

G

H

I

J

K

L

M

N

O

P

PRECAUTION

PRECAUTIONS

Precaution for Supplemental Restraint System (SRS) "AIR BAG" and "SEAT BELT PRE-TENSIONER"

INFOID:000000005775466

The Supplemental Restraint System such as "AIR BAG" and "SEAT BELT PRE-TENSIONER", used along with a front seat belt, helps to reduce the risk or severity of injury to the driver and front passenger for certain types of collision. This system includes seat belt switch inputs and dual stage front air bag modules. The SRS system uses the seat belt switches to determine the front air bag deployment, and may only deploy one front air bag, depending on the severity of a collision and whether the front occupants are belted or unbelted. Information necessary to service the system safely is included in the "SRS AIR BAG" and "SEAT BELT" of this Service Manual.

WARNING:

- To avoid rendering the SRS inoperative, which could increase the risk of personal injury or death in the event of a collision which would result in air bag inflation, all maintenance must be performed by an authorized NISSAN/INFINITI dealer.
- Improper maintenance, including incorrect removal and installation of the SRS, can lead to personal injury caused by unintentional activation of the system. For removal of Spiral Cable and Air Bag Module, see the "SRS AIR BAG".
- Do not use electrical test equipment on any circuit related to the SRS unless instructed to in this Service Manual. SRS wiring harnesses can be identified by yellow and/or orange harnesses or harness connectors.

PRECAUTIONS WHEN USING POWER TOOLS (AIR OR ELECTRIC) AND HAMMERS

WARNING:

- When working near the Air Bag Diagnosis Sensor Unit or other Air Bag System sensors with the ignition ON or engine running, DO NOT use air or electric power tools or strike near the sensor(s) with a hammer. Heavy vibration could activate the sensor(s) and deploy the air bag(s), possibly causing serious injury.
- When using air or electric power tools or hammers, always switch the ignition OFF, disconnect the battery, and wait at least 3 minutes before performing any service.

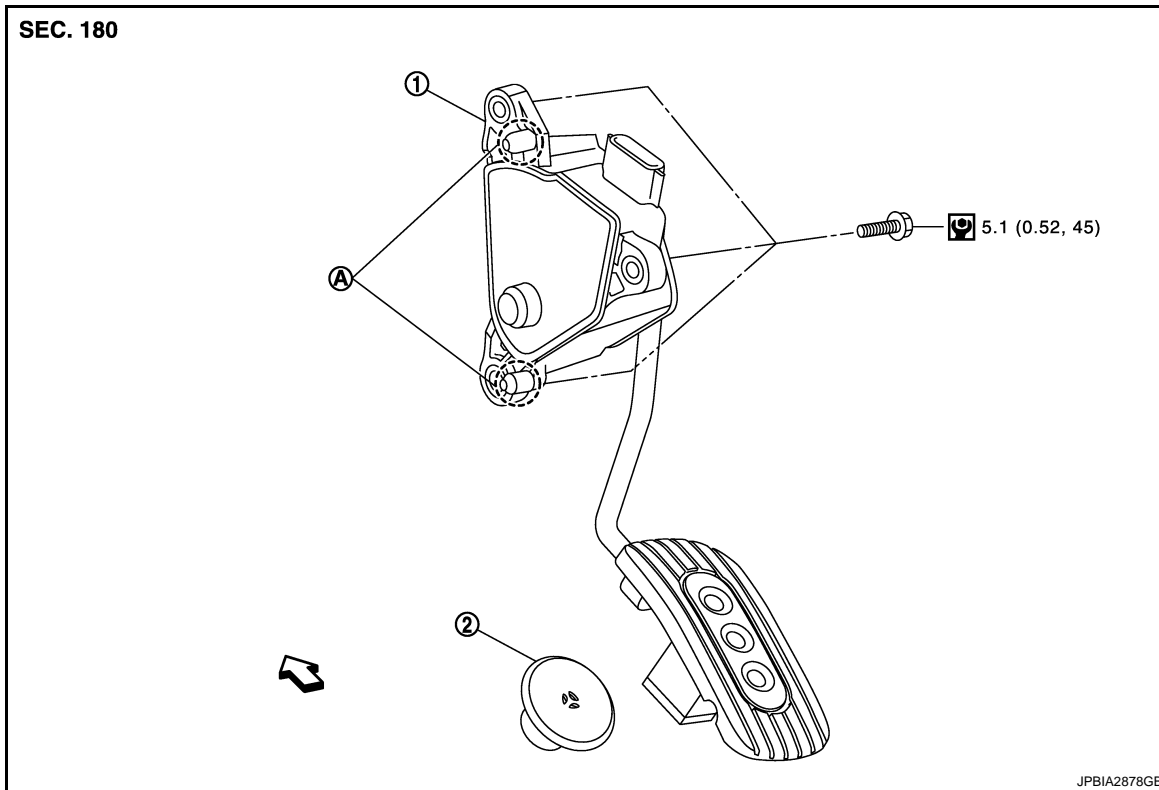
REMOVAL AND INSTALLATION

ACCELERATOR CONTROL SYSTEM

Exploded View

INFOID:000000005489019

ACC



- 1. Accelerator pedal assembly
 - 2. Accelerator pedal stopper (Under floor carpet)
 - A. Locating pin
- ↙ : Vehicle front

Refer to [GI-4, "Components"](#) for symbols in the figure.

Removal and Installation

INFOID:000000005489020

REMOVAL

1. Disconnect accelerator pedal position sensor harness connector.
2. Loosen mounting bolts, and remove accelerator pedal assembly.
 - CAUTION:**
 - **Never disassemble accelerator lever. Never remove accelerator pedal position sensor from accelerator lever.**
 - **Avoid impact from dropping etc. during handling.**
 - **Be careful to keep accelerator lever away from water.**
3. Fold the floor carpet and remove accelerator pedal stopper.
 - Remove pedal stopper by turning it counterclockwise with fingers.

INSTALLATION

Note the following, and install in the reverse order of removal.

- Insert locating pin into vehicle side to position accelerator pedal assembly. Tighten mounting bolts to accelerator pedal assembly.

ACCELERATOR CONTROL SYSTEM

< REMOVAL AND INSTALLATION >

[REGULAR GRADE]

Inspection

INFOID:000000005489021

INSPECTION AFTER INSTALLATION

- Check accelerator pedal moves smoothly within the whole operation range when it is fully depressed and released.
- Check accelerator pedal securely returns to the fully released position.
- For the electrical inspection of accelerator pedal position sensor. Refer to [EC-369. "Description"](#).

- **CAUTION:**

When harness connector of accelerator pedal position sensor is disconnected, perform “ACCELERATOR PEDAL RELEASED POSITION LEARNING”. Refer to [EC-18. "ACCELERATOR PEDAL RELEASED POSITION LEARNING : Description"](#).

DRILLED ALUMINUM PEDAL

< SPEC CHANGE INFORMATION >

[Krom]

SPEC CHANGE INFORMATION

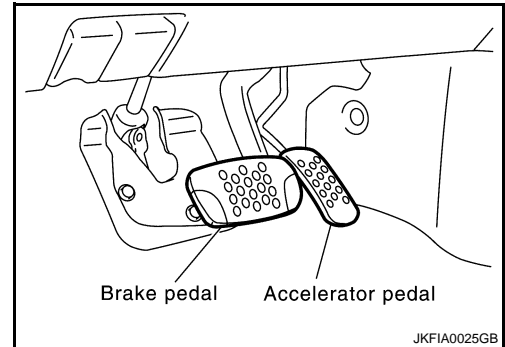
DRILLED ALUMINUM PEDAL

Drilled Aluminum Pedal

INFOID:000000005489022

ACC

- Drilled aluminum pedals are used for the accelerator pedal and the brake pedal.



A
C
D
E
F
G
H
I
J
K
L
M
N
O
P

DRILLED ALUMINUM PEDAL

< REMOVAL AND INSTALLATION >

[Krom]

REMOVAL AND INSTALLATION

DRILLED ALUMINUM PEDAL

Removal and Installation of Drilled Aluminum Pedal

INFOID:000000005489023

CAUTION:

Never disassemble the accelerator pedal assembly. (Disassembly-prohibited part)