

SECTION **AV**

AUDIO, VISUAL & NAVIGATION SYSTEM

CONTENTS

AUDIO WITHOUT NAVIGATION		
BASIC INSPECTION	4	
DIAGNOSIS AND REPAIR WORKFLOW	4	
Work Flow	4	
SYSTEM DESCRIPTION	6	
AUDIO SYSTEM	6	
System Diagram	6	
System Description	6	
Component Parts Location	7	
Component Description	9	
HANDS-FREE PHONE SYSTEM	10	
System Diagram	10	
System Description	10	
Component Parts Location	11	
Component Description	11	
DIAGNOSIS SYSTEM (AUDIO UNIT)	13	
MODELS WITH IPOD® CONNECTION FUNCTION	13	
MODELS WITH iPod® CONNECTION FUNCTION : Diagnosis Description	13	
MODELS WITHOUT IPOD® CONNECTION FUNCTION	15	
MODELS WITHOUT iPod® CONNECTION FUNCTION : Diagnosis Description	15	
DIAGNOSIS SYSTEM (TEL ADAPTER UNIT) ...	17	
Diagnosis Description	17	
DTC/CIRCUIT DIAGNOSIS	19	
POWER SUPPLY AND GROUND CIRCUIT	19	
AUDIO UNIT	19	
AUDIO UNIT : Diagnosis Procedure	19	
IPOD ADAPTER	19	
		iPod ADAPTER : Diagnosis Procedure19
		TEL ADAPTER UNIT
		TEL ADAPTER UNIT : Diagnosis Procedure20
		TELEPHONE ON SIGNAL CIRCUIT
		Description
		Diagnosis Procedure
		MICROPHONE SIGNAL CIRCUIT
		Description
		Diagnosis Procedure
		CONTROL SIGNAL CIRCUIT
		Description
		Diagnosis Procedure
		STEERING SWITCH SIGNAL A CIRCUIT (STEERING SWITCH TO TEL ADAPTER UNIT)
		Description
		Diagnosis Procedure
		Component Inspection
		STEERING SWITCH SIGNAL B CIRCUIT (STEERING SWITCH TO TEL ADAPTER UNIT)
		Description
		Diagnosis Procedure
		Component Inspection
		STEERING SWITCH SIGNAL GND CIRCUIT (STEERING SWITCH TO TEL ADAPTER UNIT)
		Description
		Diagnosis Procedure
		Component Inspection
		STEERING SWITCH SIGNAL A CIRCUIT (TEL ADAPTER UNIT TO AUDIO UNIT)
		Description
		Diagnosis Procedure

A
B
C
D
E
F
G
H
I
J
K
L
M
AV
O
P

STEERING SWITCH SIGNAL B CIRCUIT (TEL ADAPTER UNIT TO AUDIO UNIT)	32	Removal and Installation	64
Description	32	REAR DOOR SPEAKER	65
Diagnosis Procedure	32	Exploded View	65
STEERING SWITCH SIGNAL GND CIRCUIT (TEL ADAPTER UNIT TO AUDIO UNIT)	33	Removal and Installation	65
Description	33	ANTENNA BASE	66
Diagnosis Procedure	33	Exploded View	66
ECU DIAGNOSIS INFORMATION	34	Removal and Installation	66
AUDIO UNIT	34	TEL ADAPTER UNIT	67
Reference Value	34	Exploded View	67
TEL ADAPTER UNIT	37	Removal and Installation	67
Reference Value	37	MICROPHONE	68
iPod ADAPTER	40	Exploded View	68
Reference Value	40	Removal and Installation	68
WIRING DIAGRAM	42	STEERING SWITCH	69
AUDIO WITHOUT NAVIGATION	42	Exploded View	69
Wiring Diagram	42	Removal and Installation	69
SYMPTOM DIAGNOSIS	53	iPod ADAPTER	70
AUDIO SYSTEM SYMPTOMS	53	Exploded View	70
Symptom Table	53	Removal and Installation	70
HANDS-FREE PHONE SYMPTOMS	55	iPod CONNECTOR	71
Symptom Table	55	Exploded View	71
NORMAL OPERATING CONDITION	57	Removal and Installation	71
Description	57	ANTENNA FEEDER	72
PRECAUTION	59	Harness Layout	72
PRECAUTIONS	59	AUDIO WITH NAVIGATION	
Precaution for Supplemental Restraint System (SRS) "AIR BAG" and "SEAT BELT PRE-TEN- SIONER"	59	PRECAUTION	73
Precaution for Trouble Diagnosis	59	PRECAUTIONS	73
Precaution for Harness Repair	59	Precaution for Supplemental Restraint System (SRS) "AIR BAG" and "SEAT BELT PRE-TEN- SIONER"	73
PREPARATION	61	Precaution for Trouble Diagnosis	73
PREPARATION	61	Precaution for Harness Repair	73
Commercial Service Tools	61	PREPARATION	75
REMOVAL AND INSTALLATION	62	PREPARATION	75
AUDIO UNIT	62	Commercial Service Tools	75
Exploded View	62	SYSTEM DESCRIPTION	76
Removal and Installation	62	COMPONENT PARTS	76
FRONT DOOR SPEAKER	63	Component Parts Location	76
Exploded View	63	Component Description	77
Removal and Installation	63	SYSTEM	78
TWEETER	64	System Diagram	78
Exploded View	64	System Description	78
		DIAGNOSIS SYSTEM (NAVI CONTROL UNIT)	82
		On Board Diagnosis Function	82

DIAGNOSIS SYSTEM (TEL ADAPTER UNIT)...	85	Component Inspection	121	
Description	85	SYMPTOM DIAGNOSIS	123	A
Diagnosis Description	85	NAVIGATION SYSTEM	123	B
ECU DIAGNOSIS INFORMATION	87	Symptom Table	123	
NAVI CONTROL UNIT	87	HANDS-FREE PHONE SYMPTOMS	126	C
Reference Value	87	Symptom Table	126	
TEL ADAPTER UNIT	91	NORMAL OPERATING CONDITION	128	D
Reference Value	91	Description	128	
WIRING DIAGRAM	93	REMOVAL AND INSTALLATION	132	E
AUDIO WITH NAVIGATION	93	NAVI CONTROL UNIT	132	
Wiring Diagram	93	Removal and Installation	132	
BASIC INSPECTION	107	FRONT DOOR SPEAKER	133	F
DIAGNOSIS AND REPAIR WORK FLOW	107	Exploded View	133	
Work Flow	107	Removal and Installation	133	
DTC/CIRCUIT DIAGNOSIS	109	TWEETER	134	G
POWER SUPPLY AND GROUND CIRCUIT ...	109	Exploded View	134	
NAVI CONTROL UNIT	109	Removal and Installation	134	
NAVI CONTROL UNIT : Diagnosis Procedure ...	109	REAR DOOR SPEAKER	135	H
TEL ADAPTER UNIT	109	Exploded View	135	
TEL ADAPTER UNIT : Diagnosis Procedure	109	Removal and Installation	135	
WOOFER AMP. ON SIGNAL CIRCUIT	111	WOOFER	136	I
Description	111	Exploded View	136	
Diagnosis Procedure	111	Removal and Installation	136	
MICROPHONE SIGNAL CIRCUIT	112	ANTENNA BASE	137	J
Description	112	Exploded View	137	
Diagnosis Procedure	112	Removal and Installation	137	
CONTROL SIGNAL CIRCUIT	114	GPS ANTENNA	138	K
Description	114	Removal and Installation	138	
Diagnosis Procedure	114	TEL ADAPTER UNIT	139	L
CAMERA IMAGE SIGNAL CIRCUIT	115	Exploded View	139	
Description	115	Removal and Installation	139	
Diagnosis Procedure	115	MICROPHONE	140	M
STEERING SWITCH SIGNAL A CIRCUIT	117	Exploded View	140	
Description	117	Removal and Installation	140	AV
Diagnosis Procedure	117	STEERING SWITCH	141	
Component Inspection	117	Exploded View	141	O
STEERING SWITCH SIGNAL B CIRCUIT	119	Removal and Installation	141	
Description	119	REAR VIEW CAMERA	142	P
Diagnosis Procedure	119	Removal and Installation	142	
Component Inspection	119	USB CONNECTOR AND AUX JACK	143	
STEERING SWITCH GROUND CIRCUIT	121	Removal and Installation	143	
Description	121	ANTENNA FEEDER	144	
Diagnosis Procedure	121	Feeder Layout	144	

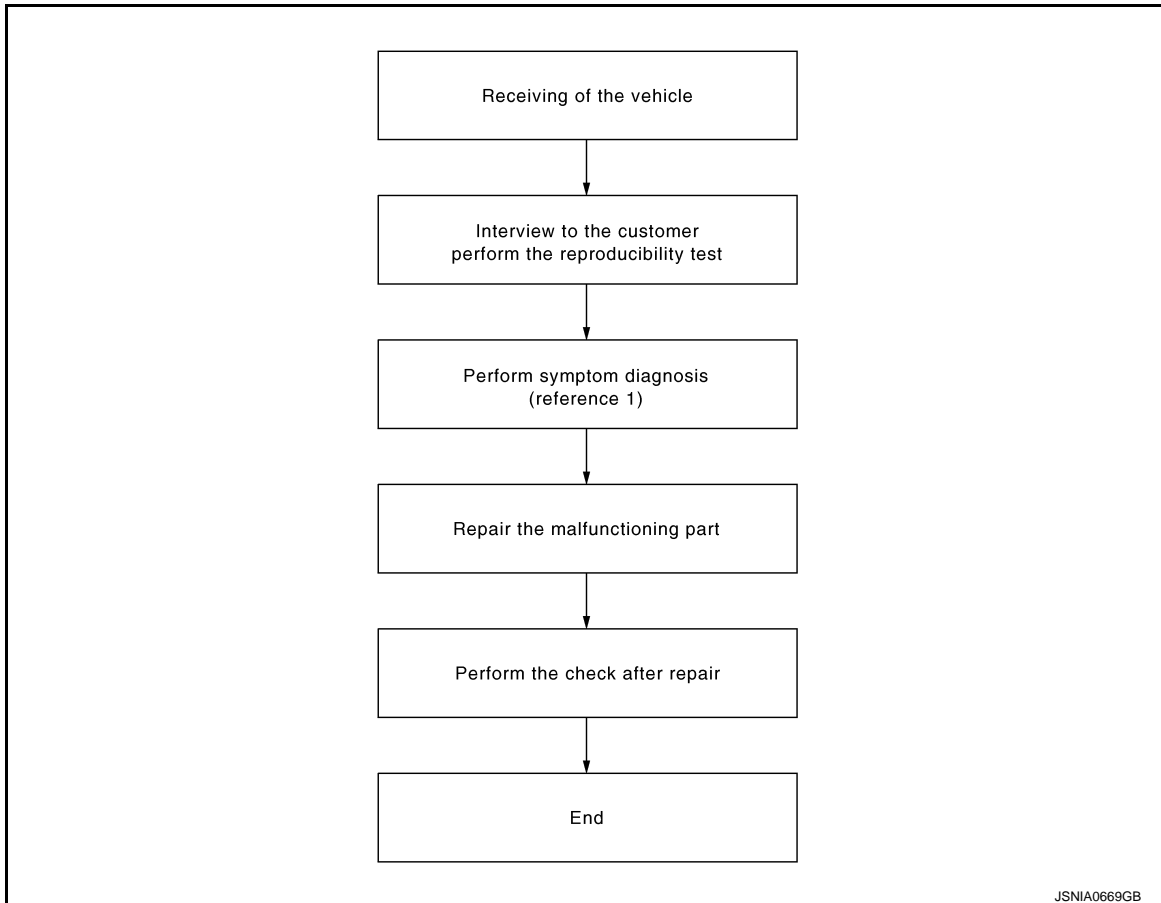
BASIC INSPECTION

DIAGNOSIS AND REPAIR WORKFLOW

Work Flow

INFOID:000000006931524

OVERALL SEQUENCE



JSNIA0669GB

Reference 1...Refer to [AV-53. "Symptom Table"](#) (audio system) or [AV-55. "Symptom Table"](#) (hands-free phone system).

DETAILED FLOW

1. CHECK SYMPTOM

Check the malfunction symptoms by performing the following items.

- Interview the customer to obtain the malfunction information (conditions and environment when the malfunction occurred).
- Check the symptom.

>> GO TO 2.

2. PERFORM DIAGNOSIS BY SYMPTOM

Perform the relevant diagnosis referring to the diagnosis chart by symptom. Refer to [AV-53. "Symptom Table"](#) (audio system) or [AV-55. "Symptom Table"](#) (hands-free phone system).

>> GO TO 3.

3. REPAIR OR REPLACE MALFUNCTIONING PARTS

Repair or replace the malfunctioning parts.

>> GO TO 4.

DIAGNOSIS AND REPAIR WORKFLOW

< BASIC INSPECTION >

[AUDIO WITHOUT NAVIGATION]

4.FINAL CHECK

Perform the operation to check that the malfunction symptom is solved or any other symptoms are present.

Is there any symptom?

YES >> GO TO 2.

NO >> INSPECTION END

A

B

C

D

E

F

G

H

I

J

K

L

M

AV

O

P

AUDIO SYSTEM

< SYSTEM DESCRIPTION >

[AUDIO WITHOUT NAVIGATION]

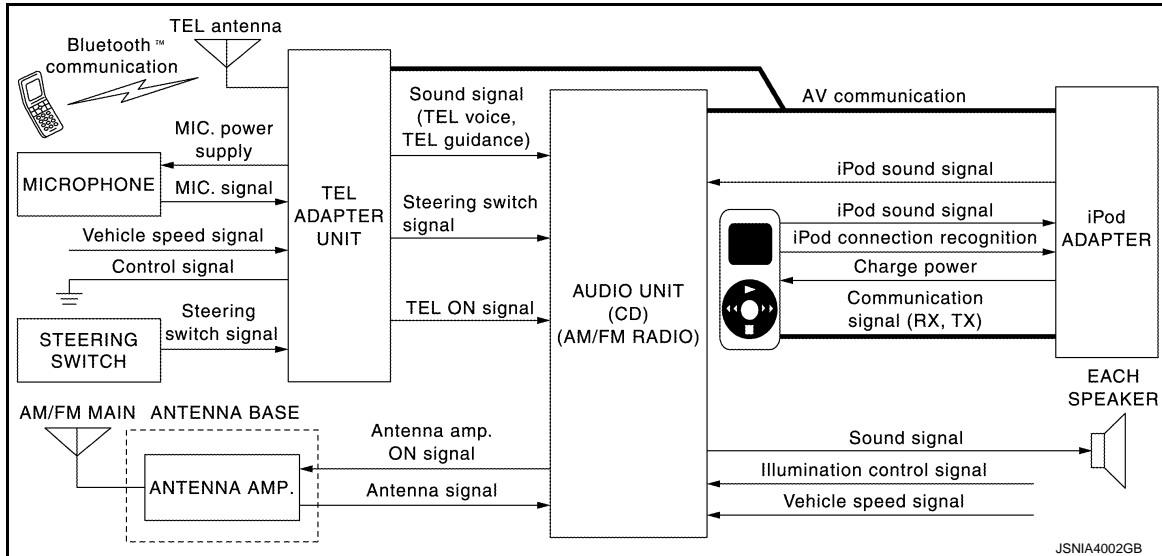
SYSTEM DESCRIPTION

AUDIO SYSTEM

System Diagram

INFOID:000000006506175

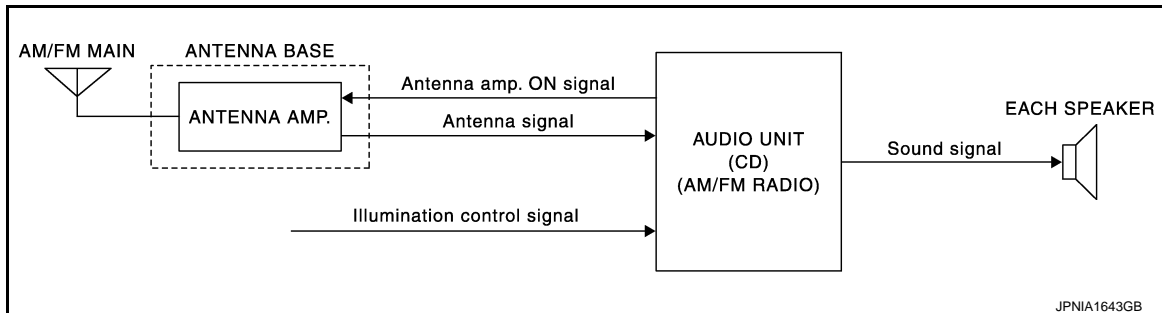
MODELS WITH iPod® CONNECTION FUNCTION AND HANDS-FREE PHONE SYSTEM



NOTE:

An antenna base integrated with radio antenna amp. is adopted.

MODELS WITHOUT iPod® CONNECTION FUNCTION



NOTE:

An antenna base integrated with radio antenna amp. is adopted.

iPod® is a trademark of Apple inc., registered in the U.S. and other countries.

System Description

INFOID:000000006506176

AUDIO SYSTEM

Audio functions

×: Applicable

	Models without iPod® connection function	Models with iPod® connection function and hands-free phone system
AM/FM radio	×	×
CD	×	×
AUX connection	×	×
iPod® connection	—	×
Speed sensitive volume	—	×
Hands-free phone system	—	×

AUDIO SYSTEM

< SYSTEM DESCRIPTION >

[AUDIO WITHOUT NAVIGATION]

iPod® is a trademark of Apple inc., registered in the U.S. and other countries.

When the audio system is on, radio signals are received by the radio antenna. The audio unit then sends audio signals to the each speaker.

FUNCTION DESCRIPTION

AM/FM Radio Mode

- AM/FM radio tuner is built into audio unit.
- Radio signals are received by radio antenna, next they are amplified by antenna amp., and finally the they are input to audio unit. (Antenna amp. is built into antenna base.)
- Audio unit outputs the sound signal to each speaker.

CD Mode

- CD function is built into audio unit.
- Audio unit outputs sound signal to each speaker when CD is inserted to audio unit.

iPod® Connection

- Connect iPod® and iPod adapter with wire harness and iPod adapter input iPod sound signal from iPod®.
- When iPod mode is selected, iPod adapter outputs iPod sound signal to audio unit.
- Audio unit outputs the sound signal to each speaker.

AUX Connection

- When the external device is connected to the AUX (auxiliary) input jack of the audio unit, the external device inputs a sound signal to the audio unit.
- When AUX mode is selected, audio unit outputs sound signal to each speaker.

Speed Sensitive Volume

- Volume level of this system gone up and down automatically in proportion to the vehicle speed.
- The control level can be selected by the customer.

Hands-free phone system

For further information about the hands-free phone system, refer to [AV-10, "System Description"](#).

Component Parts Location

INFOID:000000006506177

MODELS WITH iPod® CONNECTION FUNCTION

A
B
C
D
E
F
G
H
I
J
K
L
M

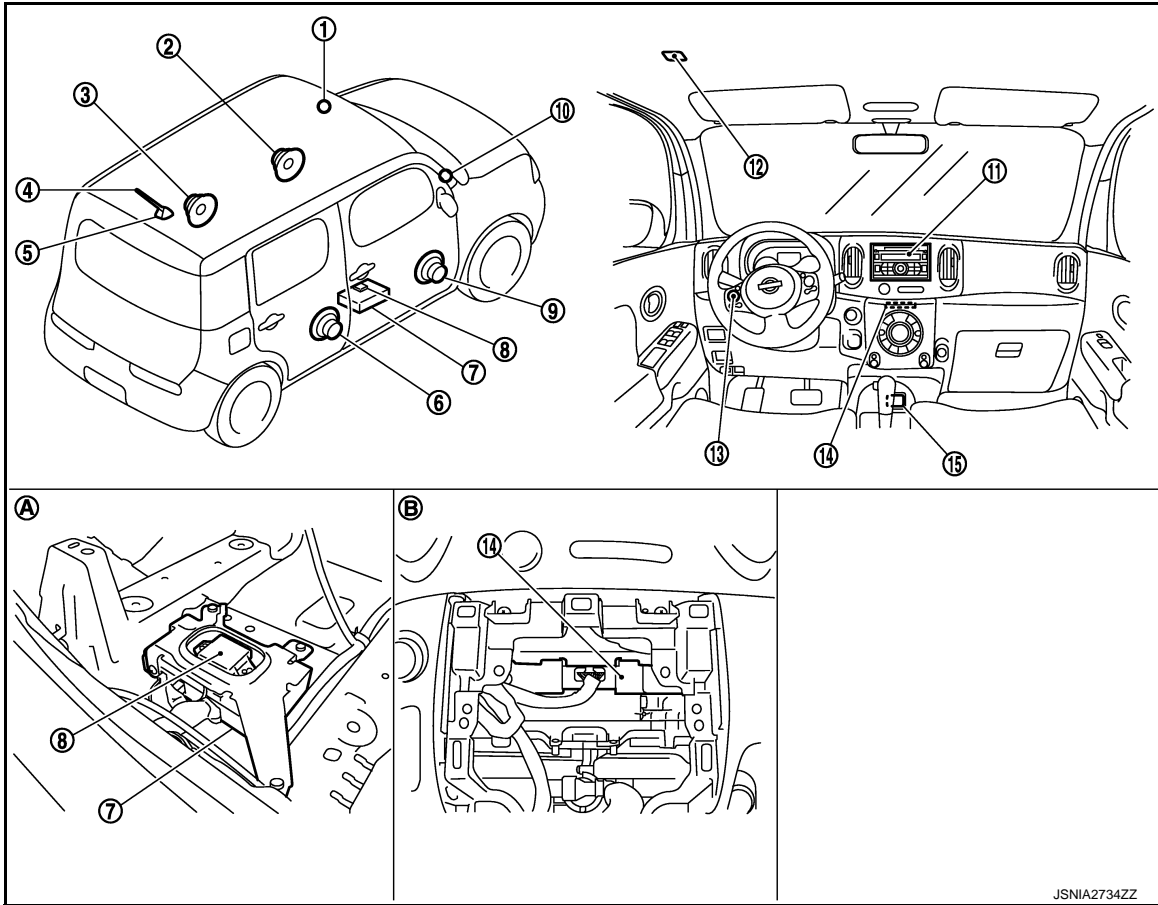
AV

O
P

AUDIO SYSTEM

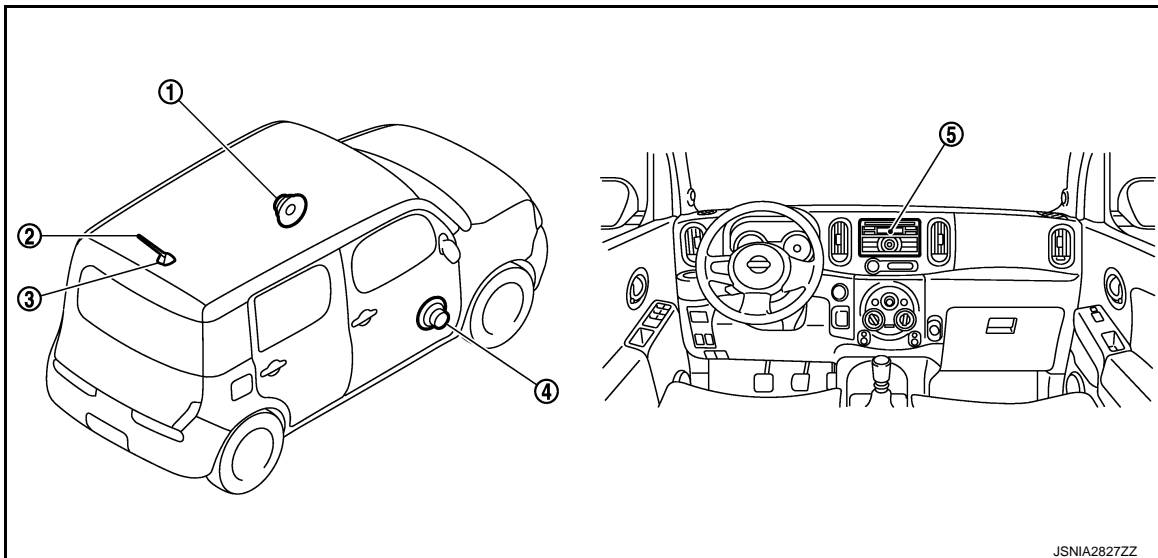
< SYSTEM DESCRIPTION >

[AUDIO WITHOUT NAVIGATION]



- | | | |
|-----------------------------------|-----------------------------------|--------------------------|
| 1. Tweeter LH | 2. Front door speaker LH | 3. Rear door speaker LH |
| 4. Antenna rod | 5. Antenna base (antenna amp.) | 6. Rear door speaker RH |
| 7. TEL adapter unit | 8. TEL antenna | 9. Front door speaker RH |
| 10. Tweeter RH | 11. Audio unit | 12. Microphone |
| 13. Steering switch | 14. iPod adapter | 15. iPod connector |
| A. Floor spacer removed condition | B. A/C finisher removed condition | |

MODELS WITHOUT iPod® CONNECTION FUNCTION



AUDIO SYSTEM

< SYSTEM DESCRIPTION >

[AUDIO WITHOUT NAVIGATION]

- | | | |
|--------------------------|----------------|--------------------------------|
| 1. Front door speaker LH | 2. Antenna rod | 3. Antenna base (antenna amp.) |
| 4. Front door speaker RH | 5. Audio unit | |

Component Description

INFOID:000000006506178

Part name	Description	
Audio unit	Models with iPod® connection function and hands-free phone system	Controls audio system and hands-free phone system functions.
	Except for above.	Controls audio system function.
Steering switch	<ul style="list-style-type: none"> • Operation for audio and hands-free phone are possible. • Steering switch signal (operation signal) is output to TEL adapter unit. • Steering switch signal (operation signal) is output to audio unit through TEL adapter unit. 	
Front door speaker	<ul style="list-style-type: none"> • Outputs sound signal from audio unit. • Outputs high, mid and low range sounds. 	
Tweeter	<ul style="list-style-type: none"> • Outputs sound signal from audio unit. • Outputs high range sounds. 	
Rear door speaker	<ul style="list-style-type: none"> • Outputs sound signal from audio unit. • Outputs high, mid and low range sounds. 	
Antenna base	<ul style="list-style-type: none"> • An antenna base integrated with antenna amp. • Radio signal received by rod antenna is amplified and transmitted to audio unit. • Power (antenna amp. ON signal) is supplied from audio unit. 	
iPod adapter	<ul style="list-style-type: none"> • Inputs iPod sound signal from iPod®, and outputs iPod sound signal to audio unit. • Receiving/transmitting of iPod® operation signals are performed as follows: <ul style="list-style-type: none"> - between audio unit and iPod adapter: AV communication. - between iPod® and iPod adapter: serial communication. 	
TEL adapter unit	<ul style="list-style-type: none"> • Inputs the steering switch signal (operation signal) from the steering switch. • Outputs the steering switch signal (operation signal) to audio unit. • Inputs the TEL voice signal from TEL antenna during reception and outputs it to the audio unit. • Inputs the TEL voice signal from microphone during speech recognition and outputs it to the TEL antenna. • Audio unit and TEL adapter unit exchange data by AV communication. 	

iPod® is a trademark of Apple inc., registered in the U.S. and other countries.

A
B
C
D
E
F
G
H
I
J
K
L
M
O
P

AV

HANDS-FREE PHONE SYSTEM

< SYSTEM DESCRIPTION >

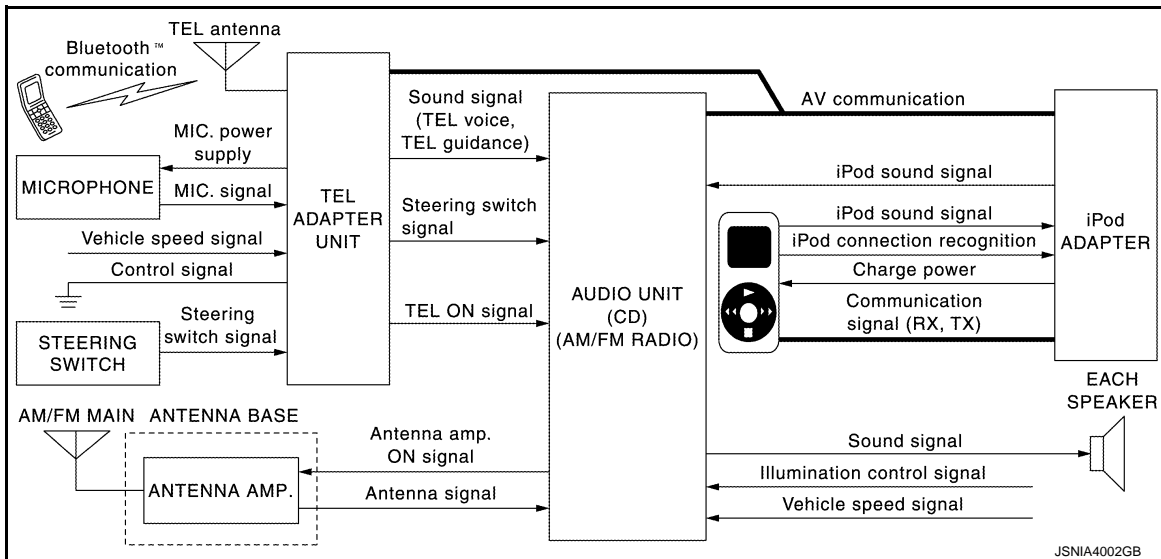
[AUDIO WITHOUT NAVIGATION]

HANDS-FREE PHONE SYSTEM

System Diagram

INFOID:000000006931542

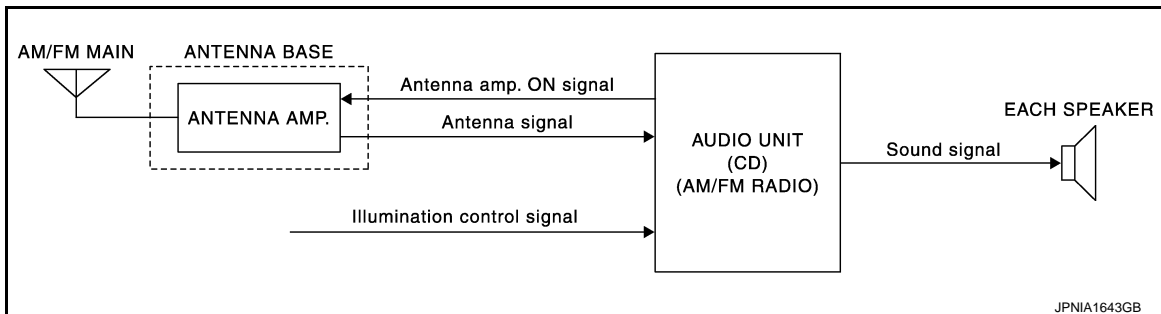
MODELS WITH iPod® CONNECTION FUNCTION AND HANDS-FREE PHONE SYSTEM



NOTE:

An antenna base integrated with radio antenna amp. is adopted.

MODELS WITHOUT iPod® CONNECTION FUNCTION



NOTE:

An antenna base integrated with radio antenna amp. is adopted.

iPod® is a trademark of Apple inc., registered in the U.S. and other countries.

System Description

INFOID:000000006506180

- The connection between cellular phone and TEL adapter unit is performed with Bluetooth™ communication.
- The voice guidance signal is input from the TEL adapter unit to the audio unit and output to the front speaker when operating the telephone.
- TEL adapter unit has the on board self-diagnosis function. Refer to [AV-17. "Diagnosis Description"](#).

WHEN RECEIVING A CALL

TEL voice signal received with the cellular phone is input from TEL antenna via TEL adapter unit to audio unit with Bluetooth™ communication and output to the front speaker. The operation is performed with the steering switch or voice recognition function.

WHEN A CALL IS ORIGINATED

Speech sound (TEL voice signal) is input from the microphone to the TEL adapter unit. It is input from the TEL antenna via Bluetooth™ communication to the cellular phone. It is transmitted to the phone on the other side. The operation is performed with the steering switch or voice recognition function.

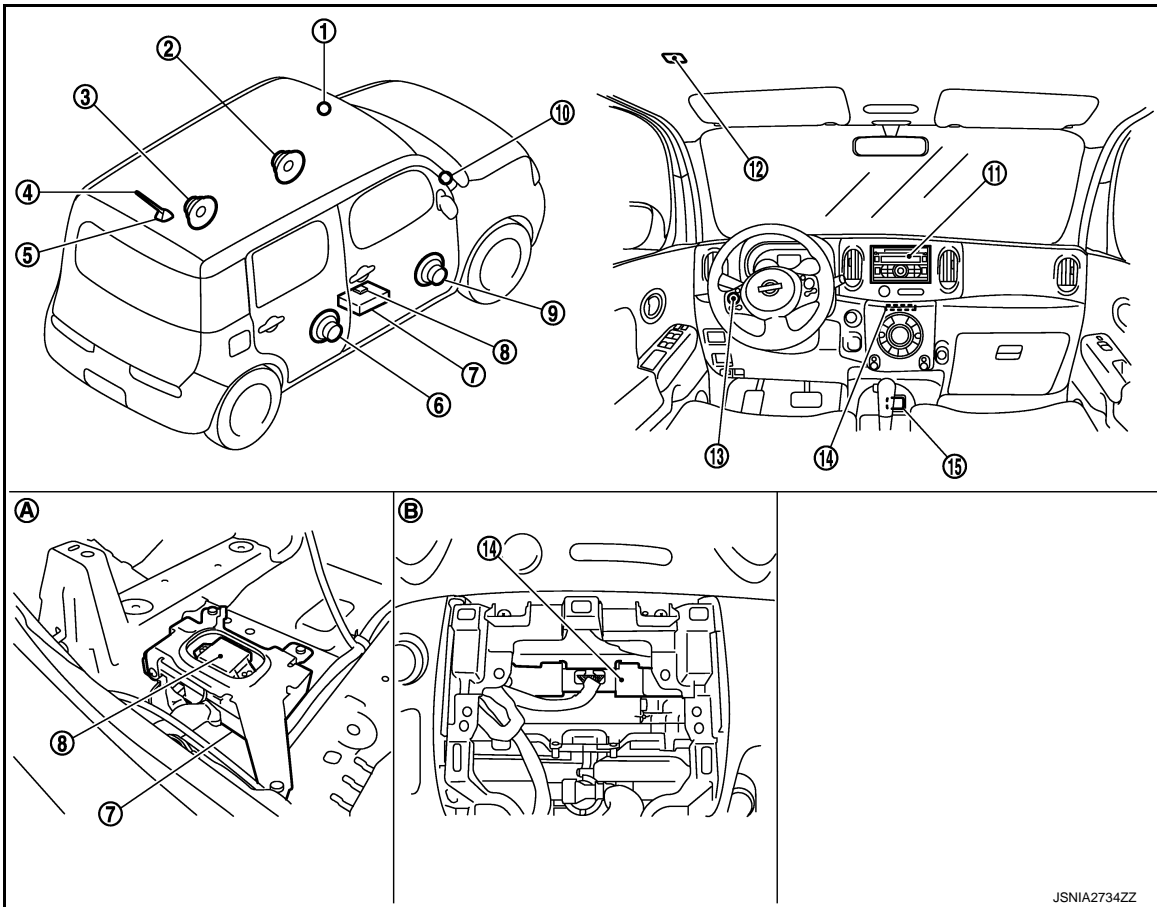
HANDS-FREE PHONE SYSTEM

< SYSTEM DESCRIPTION >

[AUDIO WITHOUT NAVIGATION]

Component Parts Location

INFOID:000000006506181



- | | | |
|-----------------------------------|-----------------------------------|--------------------------|
| 1. Tweeter LH | 2. Front door speaker LH | 3. Rear door speaker LH |
| 4. Antenna rod | 5. Antenna base (antenna amp.) | 6. Rear door speaker RH |
| 7. TEL adapter unit | 8. TEL antenna | 9. Front door speaker RH |
| 10. Tweeter RH | 11. Audio unit | 12. Microphone |
| 13. Steering switch | 14. iPod adapter | 15. iPod connector |
| A. Floor spacer removed condition | B. A/C finisher removed condition | |

Component Description

INFOID:000000006506182

Part name	Description
Audio unit	<ul style="list-style-type: none"> Inputs TEL voice signal or voice guidance signal from TEL adapter unit and outputs it to the front speaker during reception. Audio unit and TEL adapter unit exchange data by AV communication. Inputs steering switch signal (operation signal) from steering switch through TEL adapter unit.
Front door speaker Tweeter	Receives TEL voice and voice guidance signals from audio unit.
Steering switch	<ul style="list-style-type: none"> The hands-free phone system can be operated. Steering switch signal (operation signal) is output to TEL adapter unit Steering switch signal (operation signal) is output to audio unit through TEL adapter unit.
Microphone	<ul style="list-style-type: none"> Uses when operating the hands-free phone. Outputs microphone signal (TEL voice signal) to the TEL adapter unit. The power (microphone VCC) is supplied from the TEL adapter unit.

HANDS-FREE PHONE SYSTEM

< SYSTEM DESCRIPTION >

[AUDIO WITHOUT NAVIGATION]

Part name	Description
TEL adapter unit	<ul style="list-style-type: none">• Inputs the TEL voice signal from TEL antenna during reception and outputs into the audio unit.• Inputs the TEL voice signal from microphone during speech recognition and outputs it to the TEL antenna.
TEL antenna	Connects with the cellular phone via Bluetooth™ communication and communicates the TEL voice signal.

DIAGNOSIS SYSTEM (AUDIO UNIT)

< SYSTEM DESCRIPTION >

[AUDIO WITHOUT NAVIGATION]

DIAGNOSIS SYSTEM (AUDIO UNIT)

MODELS WITH iPod® CONNECTION FUNCTION

MODELS WITH iPod® CONNECTION FUNCTION : Diagnosis Description INFOID:000000006506183

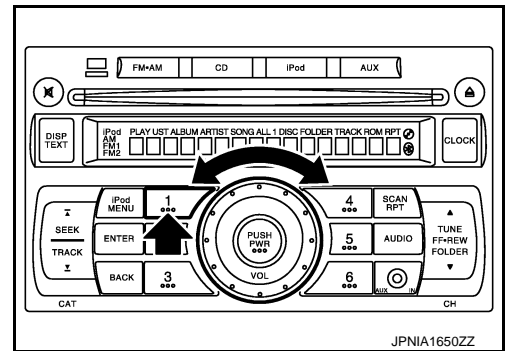
AUDIO UNIT SELF-DIAGNOSIS FUNCTION

Self-diagnosis mode can check the following items.

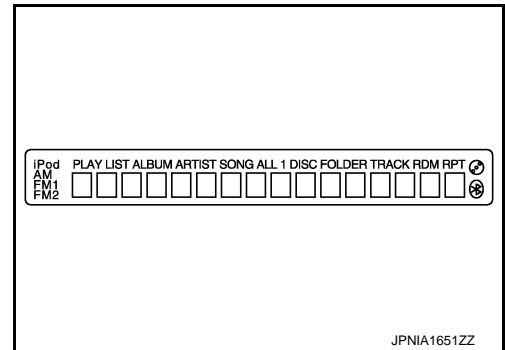
- Display all icons and segments
- Audio unit hardware/software/CD mechanism/EEPROM versions
- Satellite radio version
- Audio CD changer version
- iPod hardware/software versions

Operation Procedure

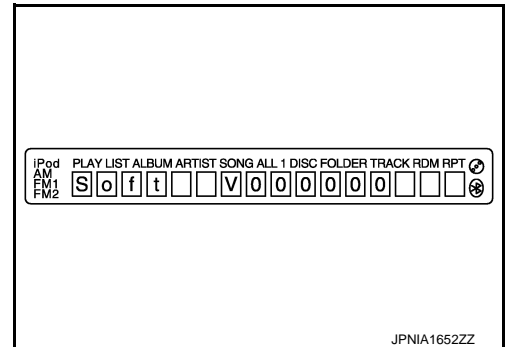
1. Turn ignition switch to the ON position.
2. Turn the audio unit off.
3. While pressing the “1” button, turn the volume control dial clockwise or counterclockwise 30 clicks or more. When the self-diagnosis mode is started, a short beep will be heard.



4. Initially, all display segments will be illuminated.



5. Press the “DISP TEXT” switch to enter version diagnostics. “Soft” (audio software version) is displayed.

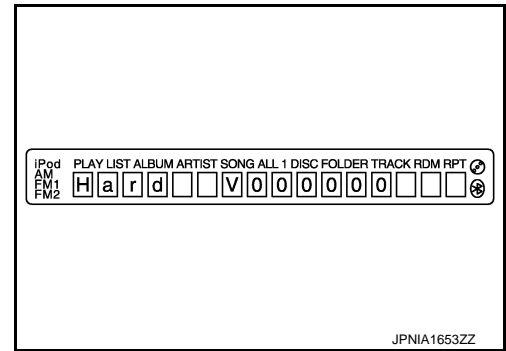


DIAGNOSIS SYSTEM (AUDIO UNIT)

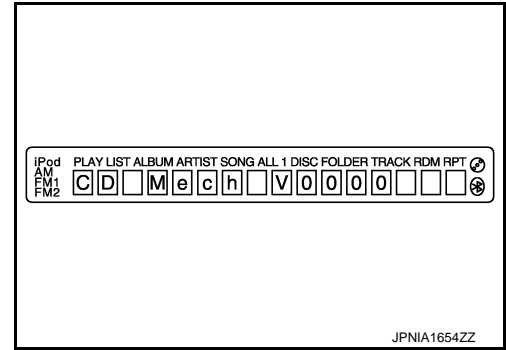
[AUDIO WITHOUT NAVIGATION]

< SYSTEM DESCRIPTION >

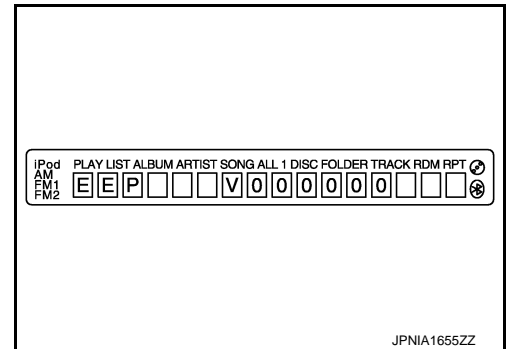
6. Press the "DISP TEXT" switch again to display the "Hard" (audio hardware version).



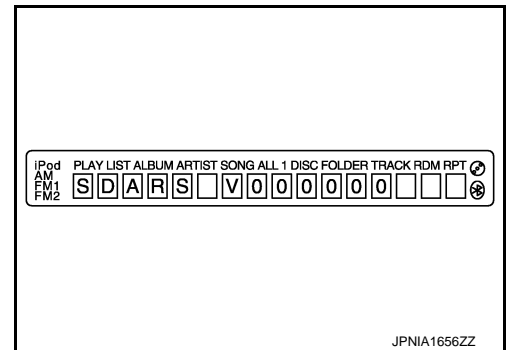
7. Press the "DISP TEXT" switch again to display the "CD Mech" (CD mechanism version).



8. Press the "DISP TEXT" switch again to display the "EEP" (audio unit EEPROM version).



9. Press the "DISP TEXT" switch again to display the "SDARS" (satellite radio version).

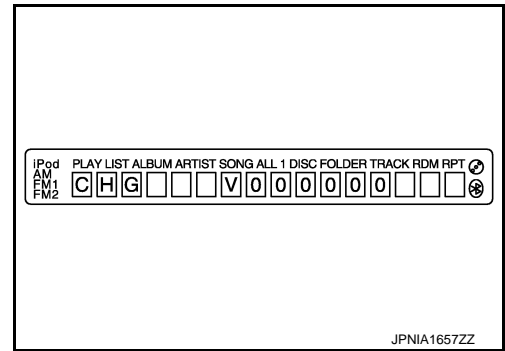


DIAGNOSIS SYSTEM (AUDIO UNIT)

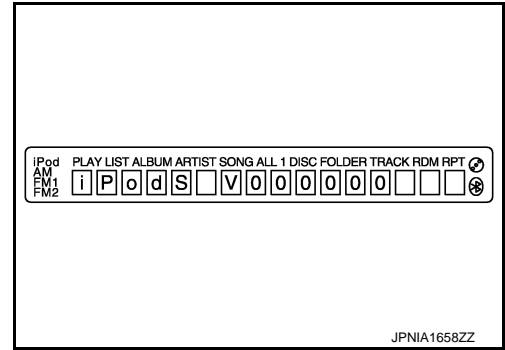
[AUDIO WITHOUT NAVIGATION]

< SYSTEM DESCRIPTION >

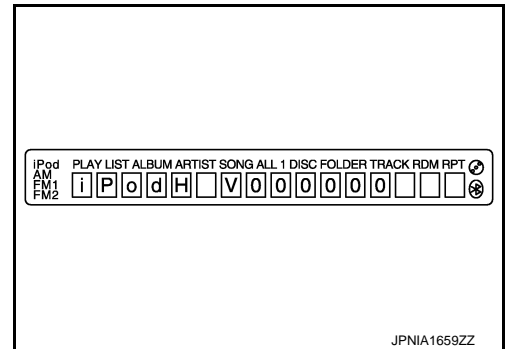
10. Press the "DISP TEXT" switch again to display the "CHG" (audio CD changer version). If audio CD changer is not connected, "FFFFFF" is displayed.



11. Press the "DISP TEXT" switch again to display the "iPodS" (iPod software version). "FFFFFF" is displayed when communication signals between the audio unit and iPod adapter include a malfunction.



12. Press the "DISP TEXT" switch again to display the "iPodH" (iPod hardware version). "FFFFFF" is displayed when communication signals between the audio unit and iPod adapter include a malfunction.



Finishing Self-diagnosis Mode

Self-diagnosis Mode is canceled when turning ignition switch OFF.

MODELS WITHOUT iPod® CONNECTION FUNCTION

MODELS WITHOUT iPod® CONNECTION FUNCTION : Diagnosis Description

INFOID:000000006506184

Self-diagnosis mode can check the following items.

- Audio unit software version
- Audio CD changer version

OPERATION PROCEDURE

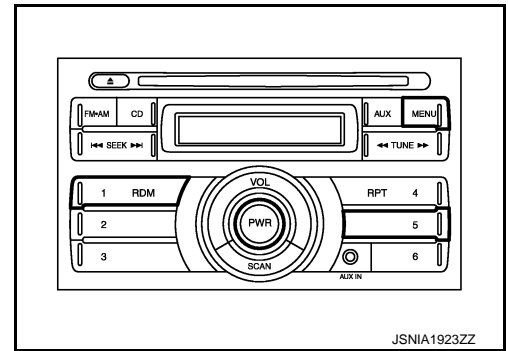
1. Turn ignition switch to the ON position.
2. Turn the audio unit off.

DIAGNOSIS SYSTEM (AUDIO UNIT)

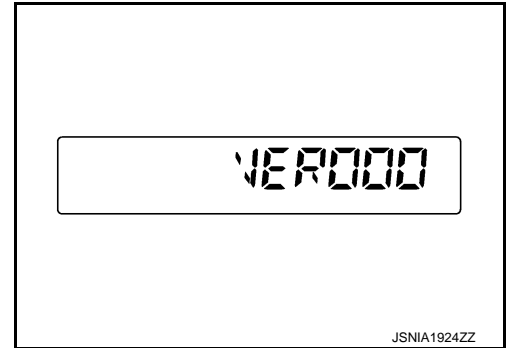
< SYSTEM DESCRIPTION >

[AUDIO WITHOUT NAVIGATION]

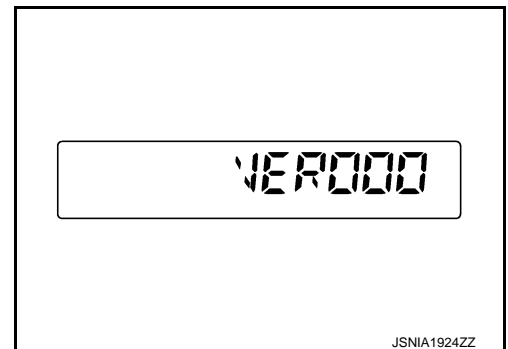
3. Press "PWR" button while pressing "MENU", "1" and "5" buttons. When the self-diagnosis mode is started, a short beep will be heard.



4. Initially, Audio software version is displayed.



5. Press the "PWR" button to display the audio CD changer version. If audio CD changer is not connected, "FF" is displayed.



Finishing Self-diagnosis Mode

Self-diagnosis mode is canceled when turning ignition switch OFF.

DIAGNOSIS SYSTEM (TEL ADAPTER UNIT)

< SYSTEM DESCRIPTION >

[AUDIO WITHOUT NAVIGATION]

DIAGNOSIS SYSTEM (TEL ADAPTER UNIT)

Diagnosis Description

INFOID:000000006506185

HANDS-FREE PHONE SYSTEM ON BOARD DIAGNOSIS

During on board diagnosis the diagnosis function of TEL adapter unit starts with the operation of the steering switch and performs the diagnosis when ignition switch ACC.

ON BOARD DIAGNOSIS ITEM

The on board diagnosis has 3 modes: the self-diagnosis mode that performs the trouble diagnosis, the speaker adaptation data deleting mode and the hands-free phone system initialization mode.

CAUTION:

- Perform the diagnosis with the vehicle stopped.
- Perform STEP2 if necessary.

STEP	MODE	Description
STEP 1	Self-diagnosis	The self-diagnosis mode performs the microphone test and the diagnosis of TEL adapter unit, TEL antenna and steering switch, and then reads out the results with the sound and indicates them on the audio screen.
STEP 2	Hands-free phone system initialization	Hands-free phone system initialization mode can perform the initialization of hands-free phone system.
	Speaker adaptation data deleting	The speaker adaptation data deleting mode can delete the speaker adaptation data.

SELF-DIAGNOSIS RESULTS

Self-diagnosis mode reads out the self-diagnosis results and indicates DTC on the audio screen.

NOTE:

- Error count is read out simultaneously when reading out the DTC name.
- The errors are read out continuously when some errors occur at the same time. The DTC displays are combined and displayed. For example, DTC 01100 is displayed when DTC 01000 and DTC 00100 are indicated at the same time.

Self-diagnosis results

DTC (Audio screen)	Failure message	Possible causes
DTC 10000	Internal failure	TEL adapter unit
DTC 01000	Bluetooth antenna open	TEL antenna
DTC 00100	Bluetooth antenna shorted	
DTC 00010	Button ladder A is stuck	Steering switch
DTC 00001	Button ladder B is stuck	
DTC 00000	There are no failure records to report	—

The Details of Error Count

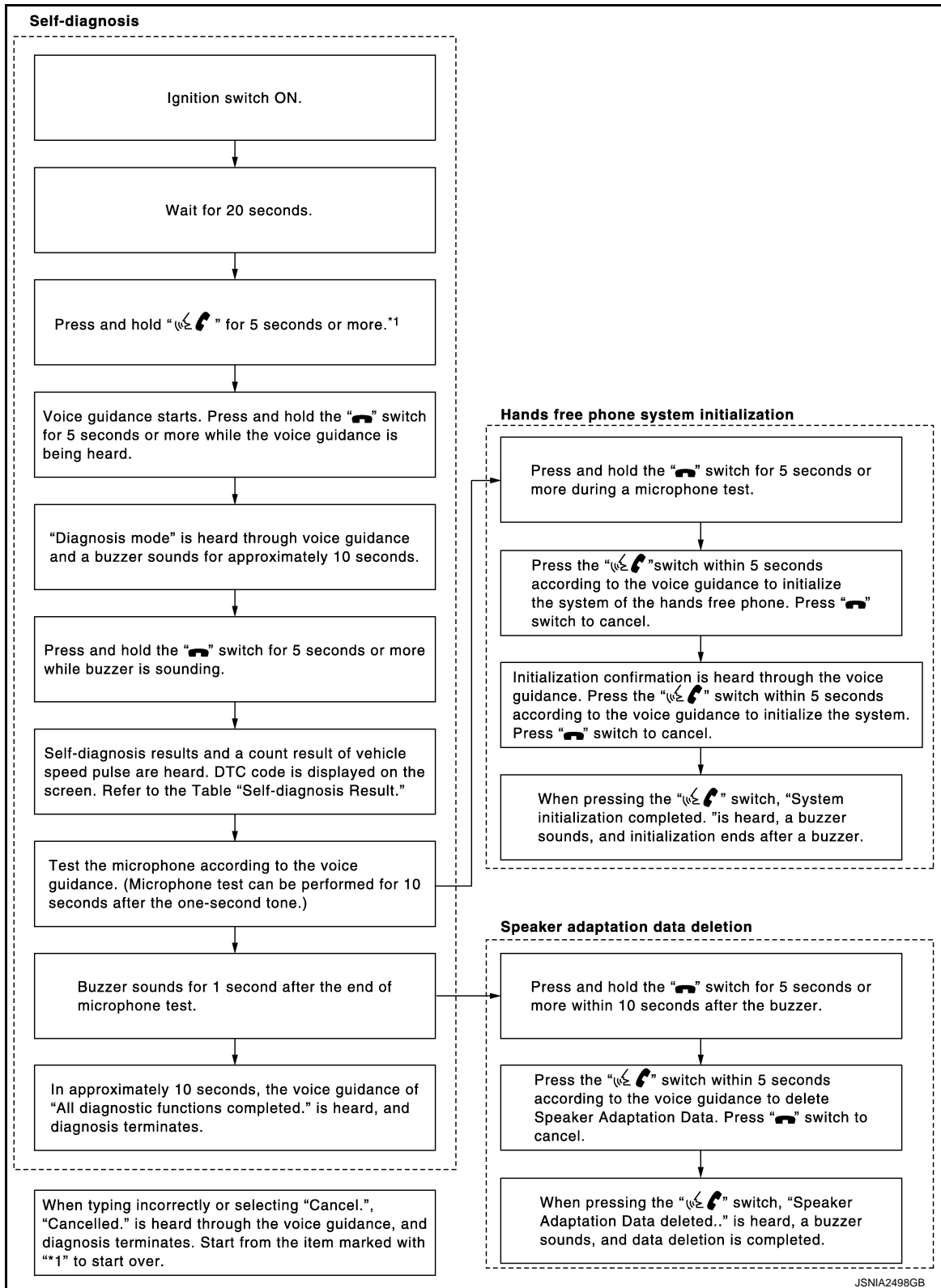
The error count guides "0" when the error occurs. The next time it counts up "1" if it is normal with the ignition switch ON. It continues the count up unless the initialization of hands-free phone system is performed.

DIAGNOSIS SYSTEM (TEL ADAPTER UNIT)

< SYSTEM DESCRIPTION >

[AUDIO WITHOUT NAVIGATION]

FLOW CHART OF TROUBLE DIAGNOSIS



POWER SUPPLY AND GROUND CIRCUIT

< DTC/CIRCUIT DIAGNOSIS >

[AUDIO WITHOUT NAVIGATION]

DTC/CIRCUIT DIAGNOSIS

POWER SUPPLY AND GROUND CIRCUIT

AUDIO UNIT

AUDIO UNIT : Diagnosis Procedure

INFOID:000000006951940

1.CHECK FUSE

Check that the following fuses of the audio unit are not blown.

Power source	Fuse No.
Battery	34
Ignition switch ACC or ON	20

Is inspection result OK?

YES >> GO TO 2.

NO >> If fuse is blown, be sure to eliminate cause of malfunction before installing new fuse.

2.CHECK AUDIO UNIT POWER SUPPLY CIRCUIT

Check voltage between the audio unit and ground.

Signal name	Connector No.	Terminal No.	Ignition switch position	Voltage
Battery power supply	M46	19	OFF	Battery voltage
ACC power supply		7	ACC	Battery voltage

Is inspection result OK?

YES >> INSPECTION END

NO >> Check harness between audio unit and fuse.

iPod ADAPTER

iPod ADAPTER : Diagnosis Procedure

INFOID:000000006951941

1.CHECK FUSE

Check for blown fuses.

Power source	Fuse No.
Battery	34
Ignition switch ACC or ON	20

Is the inspection result normal?

YES >> GO TO 2.

NO >> Be sure to eliminate the cause of malfunction before installing new fuse.

2.CHECK POWER SUPPLY CIRCUIT

Check voltage between iPod adapter harness connector and ground.

Signal name	Connector No.	Terminal No.	Ignition switch position	Voltage
Battery power supply	M99	5	OFF	Battery voltage
ACC power supply		3	ACC	

Is the inspection result normal?

YES >> INSPECTION END

NO >> Check harness between iPod adapter and fuse.

TEL ADAPTER UNIT

A
B
C
D
E
F
G
H
I
J
K
L
M
O
P

AV

POWER SUPPLY AND GROUND CIRCUIT

< DTC/CIRCUIT DIAGNOSIS >

[AUDIO WITHOUT NAVIGATION]

TEL ADAPTER UNIT : Diagnosis Procedure

INFOID:000000006931575

1.CHECK FUSES

Check that the following fuses of the TEL adapter unit are not blown.

Power source	Fuse No.
Battery	34
Ignition switch ACC or ON	20

Is inspection result OK?

YES >> GO TO 2.

NO >> If fuse is blown, be sure to eliminate cause of malfunction before installing new fuse.

2.CHECK POWER SUPPLY CIRCUIT

Check voltage between TEL adapter unit harness connector and ground.

Signal name	Connector No.	Terminal No.	Ignition switch position	Voltage
Battery power supply	B54	1	OFF	Battery voltage
ACC power supply		2	ACC	Battery voltage

Is inspection result OK?

YES >> GO TO 3.

NO >> Check harness between TEL adapter unit and fuse.

3.CHECK GROUND CIRCUIT

1. Turn ignition switch OFF.
2. Disconnect TEL adapter unit connector.
3. Check continuity between TEL adapter unit harness connector and ground.

Signal name	Connector No.	Terminal No.	Ignition switch position	Continuity
Ground	B54	4	OFF	Existed

Is inspection result OK?

YES >> INSPECTION END

NO >> Repair harness or connector.

TELEPHONE ON SIGNAL CIRCUIT

< DTC/CIRCUIT DIAGNOSIS >

[AUDIO WITHOUT NAVIGATION]

TELEPHONE ON SIGNAL CIRCUIT

Description

INFOID:000000006951962

When telephone is being used, TEL adapter unit transmits telephone ON signal to audio unit.

Diagnosis Procedure

INFOID:000000006951963

1. CHECK CONTINUITY TELEPHONE ON SIGNAL CIRCUIT

1. Turn ignition switch OFF.
2. Disconnect TEL adapter unit connector and audio unit connector.
3. Check continuity between TEL adapter unit harness connector and audio unit harness connector.

TEL adapter unit		Audio unit		Continuity
Connector	Terminal	Connector	Terminal	
B54	11	M49	54	Existed

4. Check continuity between TEL adapter unit harness connector and ground.

TEL adapter unit		Ground	Continuity
Connector	Terminal		
B54	11		Not existed

Is inspection result OK?

- YES >> GO TO 2.
NO >> Repair harness or connector.

2. CHECK TELEPHONE ON SIGNAL

1. Connect audio unit connector and TEL adapter unit connector.
2. Turn ignition switch ON.
3. Check voltage between audio unit harness connector and ground.

Audio unit		Ground	Condition	Voltage (Approx.)
Connector	Terminal			
M49	54		While using hands-free phone system.	0 V
			While not using hands-free phone system.	5.0 V

Is inspection result OK?

- YES >> INSPECTION END
NO >> Replace audio unit. Refer to [AV-62, "Exploded View"](#).

A
B
C
D
E
F
G
H
I
J
K
L
M

AV

O
P

MICROPHONE SIGNAL CIRCUIT

< DTC/CIRCUIT DIAGNOSIS >

[AUDIO WITHOUT NAVIGATION]

MICROPHONE SIGNAL CIRCUIT

Description

INFOID:000000006931562

TEL adapter unit supplies power to microphone. The microphone transmits the sound voice to the TEL adapter unit.

Diagnosis Procedure

INFOID:000000006931563

1. CHECK CONTINUITY BETWEEN TEL ADAPTER UNIT AND MICROPHONE CIRCUIT

1. Turn ignition switch OFF.
2. Disconnect TEL adapter unit connector and microphone connector.
3. Check continuity between TEL adapter unit harness connector and microphone harness connector.

TEL adapter unit		Microphone		Continuity
Connector	Terminal	Connector	Terminal	
B54	7	R21	1	Existed
	8		2	
	29		4	

4. Check continuity between TEL adapter unit harness connector and ground.

TEL adapter unit		Ground	Continuity
Connector	Terminal		
B54	7		Not existed
	29		

Is inspection result OK?

YES >> GO TO 2.

NO >> Repair harness or connector.

2. CHECK MICROPHONE POWER SUPPLY

1. Connect TEL adapter unit connector.
2. Turn ignition switch ON.
3. Check voltage between TEL adapter unit harness connector and ground.

TEL adapter unit		Ground	Voltage (Approx.)
Connector	Terminal		
B54	29		5.0 V

Is inspection result OK?

YES >> GO TO 3.

NO >> Replace TEL adapter unit. Refer to [AV-67, "Exploded View"](#).

3. CHECK MICROPHONE SIGNAL

1. Turn ignition switch OFF.
2. Connect microphone connector.
3. Turn ignition switch ON.
4. Check signal between TEL adapter unit harness connector.

MICROPHONE SIGNAL CIRCUIT

< DTC/CIRCUIT DIAGNOSIS >

[AUDIO WITHOUT NAVIGATION]

TEL adapter unit		TEL adapter unit		Condition	Reference value
Connector	Terminal	Connector	Terminal		
B54	7	B54	8	Give a voice.	

Is inspection result OK?

YES >> INSPECTION END

NO >> Replace microphone. Refer to [AV-68, "Exploded View"](#).

A
B
C
D
E
F
G
H
I
J
K
L
M
O
P

AV

CONTROL SIGNAL CIRCUIT

< DTC/CIRCUIT DIAGNOSIS >

[AUDIO WITHOUT NAVIGATION]

CONTROL SIGNAL CIRCUIT

Description

INFOID:000000006951942

TEL adapter unit identifies the vehicle model according to the control signal and performs the control.

Diagnosis Procedure

INFOID:000000006951882

1. CHECK CONTINUITY CONTROL SIGNAL CIRCUIT

1. Turn ignition switch OFF.
2. Disconnect TEL adapter unit connector.
3. Check continuity between TEL adapter unit harness connector and ground.

TEL adapter unit			Continuity
Connector	Terminals		
B54	22	Ground	Existed
	23		
	24		
	27		

Is the inspection result normal?

- YES >> Replace TEL adapter unit. Refer to [AV-67. "Exploded View"](#).
NO >> Repair harness or connector.

STEERING SWITCH SIGNAL A CIRCUIT (STEERING SWITCH TO TEL ADAPTER UNIT)

< DTC/CIRCUIT DIAGNOSIS >

[AUDIO WITHOUT NAVIGATION]

STEERING SWITCH SIGNAL A CIRCUIT (STEERING SWITCH TO TEL ADAPTER UNIT)

Description

INFOID:000000006951947

- Transmits the steering switch signal to TEL adapter unit.
- Transmits the steering switch signal to audio unit through TEL adapter unit.

Diagnosis Procedure

INFOID:000000006951948

1. CHECK STEERING SWITCH SIGNAL A (STEERING SWITCH TO TEL ADAPTER UNIT) CIRCUIT

1. Turn ignition switch OFF.
2. Disconnect TEL adapter unit connector and spiral cable connector.
3. Check continuity between TEL adapter unit harness connector and spiral cable harness connector.

TEL adapter unit		Spiral cable		Continuity
Connector	Terminal	Connector	Terminal	
B54	12	M33	24	Existed

4. Check continuity between TEL adapter unit harness connector and ground.

TEL adapter unit		Ground	Continuity
Connector	Terminal		
B54	12		Not existed

Is the inspection result normal?

- YES >> GO TO 2.
NO >> Repair harness or connector.

2. CHECK SPIRAL CABLE

Check spiral cable.

Is the inspection result normal?

- YES >> GO TO 3.
NO >> Replace spiral cable. Refer to [SR-13, "Exploded View"](#).

3. CHECK TEL ADAPTER UNIT VOLTAGE

1. Connect TEL adapter unit connector and spiral cable connector.
2. Turn ignition switch ON.
3. Check voltage between TEL adapter unit harness connector.

(+)		(-)		Voltage (Approx.)
TEL adapter unit				
Connector	Terminal	Connector	Terminal	
B54	12	B54	14	5.0 V

Is the inspection result normal?

- YES >> GO TO 4.
NO >> Replace TEL adapter unit. Refer to [AV-67, "Exploded View"](#).

4. CHECK STEERING SWITCH

1. Turn ignition switch OFF.
2. Check steering switch. Refer to [AV-26, "Component Inspection"](#).

Is the inspection result normal?

- YES >> INSPECTION END
NO >> Replace steering switch. Refer to [AV-69, "Exploded View"](#).

STEERING SWITCH SIGNAL A CIRCUIT (STEERING SWITCH TO TEL ADAPTER UNIT)

< DTC/CIRCUIT DIAGNOSIS >

[AUDIO WITHOUT NAVIGATION]

Component Inspection

INFOID:000000006951949

Measure the resistance between the steering switch connector terminals 14 to 17 and 15 to 17.

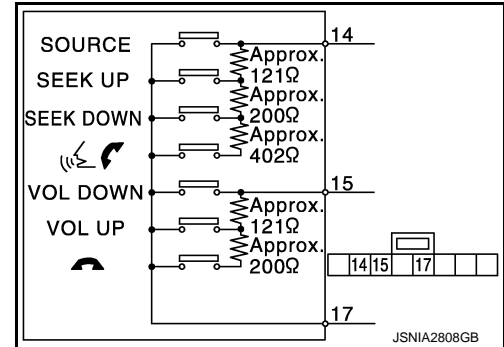
Standard

Between terminals 14 and 17

 switch ON	: Approx. 709 – 737 Ω
SEEK DOWN switch ON	: Approx. 315 – 327 Ω
SEEK UP switch ON	: Approx. 119 – 123 Ω
SOURCE switch ON	: Approx. 0 Ω

Between terminals 15 and 17

 switch ON	: Approx. 315 – 327 Ω
VOL UP switch ON	: Approx. 119 – 123 Ω
VOL DOWN switch ON	: Approx. 0 Ω



STEERING SWITCH SIGNAL B CIRCUIT (STEERING SWITCH TO TEL ADAPTER UNIT)

< DTC/CIRCUIT DIAGNOSIS >

[AUDIO WITHOUT NAVIGATION]

STEERING SWITCH SIGNAL B CIRCUIT (STEERING SWITCH TO TEL ADAPTER UNIT)

Description

INFOID:000000006951950

- Transmits the steering switch signal to TEL adapter unit.
- Transmits the steering switch signal to audio unit through TEL adapter unit.

Diagnosis Procedure

INFOID:000000006951951

1. CHECK STEERING SWITCH SIGNAL B (STEERING SWITCH TO TEL ADAPTER UNIT) CIRCUIT

1. Turn ignition switch OFF.
2. Disconnect TEL adapter unit connector and spiral cable connector.
3. Check continuity between TEL adapter unit harness connector and spiral cable harness connector.

TEL adapter unit		Spiral cable		Continuity
Connector	Terminal	Connector	Terminal	
B54	13	M33	31	Existed

4. Check continuity between TEL adapter unit harness connector and ground.

TEL adapter unit		Ground	Continuity
Connector	Terminal		
B54	13		Not existed

Is the inspection result normal?

YES >> GO TO 2.

NO >> Repair harness or connector.

2. CHECK SPIRAL CABLE

Check spiral cable.

Is the inspection result normal?

YES >> GO TO 3.

NO >> Replace spiral cable. Refer to [SR-13, "Exploded View"](#).

3. CHECK TEL ADAPTER UNIT VOLTAGE

1. Connect TEL adapter unit connector and spiral cable connector.
2. Turn ignition switch ON.
3. Check voltage between TEL adapter unit harness connector.

(+)		(-)		Voltage (Approx.)
TEL adapter unit				
Connector	Terminal	Connector	Terminal	
B54	13	B54	14	5.0 V

Is the inspection result normal?

YES >> GO TO 4.

NO >> Replace TEL adapter unit. Refer to [AV-67, "Exploded View"](#).

4. CHECK STEERING SWITCH

1. Turn ignition switch OFF.
2. Check steering switch. Refer to [AV-28, "Component Inspection"](#).

Is the inspection result normal?

YES >> INSPECTION END

NO >> Replace steering switch. Refer to [AV-69, "Exploded View"](#).

STEERING SWITCH SIGNAL B CIRCUIT (STEERING SWITCH TO TEL ADAPTER UNIT)

< DTC/CIRCUIT DIAGNOSIS >

[AUDIO WITHOUT NAVIGATION]

Component Inspection

INFOID:000000006951952

Measure the resistance between the steering switch connector terminals 14 to 17 and 15 to 17.

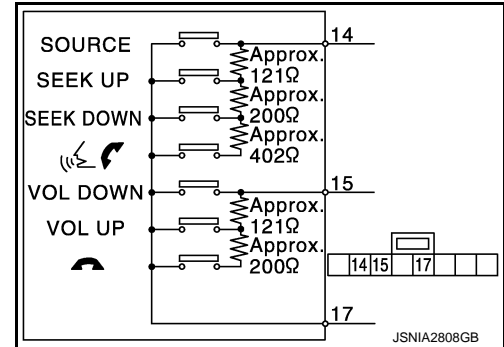
Standard

Between terminals 14 and 17

 switch ON	: Approx. 709 – 737 Ω
SEEK DOWN switch ON	: Approx. 315 – 327 Ω
SEEK UP switch ON	: Approx. 119 – 123 Ω
SOURCE switch ON	: Approx. 0 Ω

Between terminals 15 and 17

 switch ON	: Approx. 315 – 327 Ω
VOL UP switch ON	: Approx. 119 – 123 Ω
VOL DOWN switch ON	: Approx. 0 Ω



STEERING SWITCH SIGNAL GND CIRCUIT (STEERING SWITCH TO TEL ADAPTER UNIT)

< DTC/CIRCUIT DIAGNOSIS >

[AUDIO WITHOUT NAVIGATION]

STEERING SWITCH SIGNAL GND CIRCUIT (STEERING SWITCH TO TEL ADAPTER UNIT)

Description

INFOID:000000006951953

- Transmits the steering switch signal to TEL adapter unit.
- Transmits the steering switch signal to audio unit through TEL adapter unit.

Diagnosis Procedure

INFOID:000000006951954

1. CHECK STEERING SWITCH SIGNAL GROUND CIRCUIT (STEERING SWITCH TO TEL ADAPTER UNIT)

1. Turn ignition switch OFF.
2. Disconnect TEL adapter unit connector and spiral cable connector.
3. Check continuity between TEL adapter unit harness connector and spiral cable harness connector.

TEL adapter unit		Spiral cable		Continuity
Connector	Terminal	Connector	Terminal	
B54	14	M33	33	Existed

Is the inspection result normal?

YES >> GO TO 2.

NO >> Repair harness or connector.

2. CHECK SPIRAL CABLE

Check spiral cable.

Is the inspection result normal?

YES >> GO TO 3.

NO >> Replace spiral cable. Refer to [SR-13, "Exploded View"](#).

3. CHECK GROUND CIRCUIT

1. Connect TEL adapter unit connector.
2. Check continuity between TEL adapter unit harness connector and ground.

TEL adapter unit		Ground	Continuity
Connector	Terminal		
B54	14		Existed

Is the inspection result normal?

YES >> GO TO 4.

NO >> Replace TEL adapter unit. Refer to [AV-67, "Exploded View"](#).

4. CHECK STEERING SWITCH

Check steering switch. Refer to [AV-29, "Component Inspection"](#).

Is the inspection result normal?

YES >> INSPECTION END

NO >> Replace steering switch. Refer to [AV-69, "Exploded View"](#).

Component Inspection

INFOID:000000006951955

Measure the resistance between the steering switch connector terminals 14 to 17 and 15 to 17.

STEERING SWITCH SIGNAL GND CIRCUIT (STEERING SWITCH TO TEL ADAPTER UNIT)

< DTC/CIRCUIT DIAGNOSIS >

[AUDIO WITHOUT NAVIGATION]

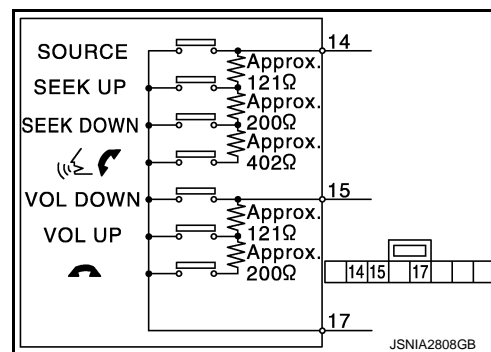
Standard

Between terminals 14 and 17

-  switch ON : Approx. 709 – 737 Ω
- SEEK UP switch ON : Approx. 315 – 327 Ω
- SEEK DOWN switch ON : Approx. 119 – 123 Ω
- SEEK UP switch ON : Approx. 119 – 123 Ω
- SOURCE switch ON : Approx. 0 Ω

Between terminals 15 and 17

-  switch ON : Approx. 315 – 327 Ω
- VOL UP switch ON : Approx. 119 – 123 Ω
- VOL DOWN switch ON : Approx. 0 Ω



JSNIA2808GB

STEERING SWITCH SIGNAL A CIRCUIT (TEL ADAPTER UNIT TO AUDIO UNIT) [AUDIO WITHOUT NAVIGATION]

< DTC/CIRCUIT DIAGNOSIS >

STEERING SWITCH SIGNAL A CIRCUIT (TEL ADAPTER UNIT TO AUDIO UNIT)

Description

INFOID:000000006951956

- Transmits the steering switch signal to TEL adapter unit.
- Transmits the steering switch signal to audio unit through TEL adapter unit.

Diagnosis Procedure

INFOID:000000006951957

1. CHECK STEERING SWITCH SIGNAL A CIRCUIT (TEL ADAPTER UNIT TO AUDIO UNIT)

1. Turn ignition switch OFF.
2. Disconnect audio unit connector and TEL adapter unit connector.
3. Check continuity between audio unit harness connector and TEL adapter unit harness connector.

Audio unit		TEL adapter unit		Continuity
Connector	Terminal	Connector	Terminal	
M46	6	B54	17	Existed

4. Check continuity between audio unit harness connector and ground.

Audio unit		Ground	Continuity
Connector	Terminal		
M46	6		Not existed

Is inspection result normal?

YES >> GO TO 2.

NO >> Repair harness or connector.

2. CHECK AUDIO UNIT VOLTAGE

1. Connect audio unit connector and TEL adapter unit connector.
2. Turn ignition switch ON.
3. Check voltage between audio unit harness connector terminals.

(+)		(-)		Voltage (Approx.)
Audio unit				
Connector	Terminal	Connector	Terminal	
M46	6	M46	15	3.3 V

Is inspection result normal?

YES >> Replace TEL adapter unit. Refer to [AV-67, "Exploded View"](#).

NO >> Replace audio unit. Refer to [AV-62, "Exploded View"](#).

AV

STEERING SWITCH SIGNAL B CIRCUIT (TEL ADAPTER UNIT TO AUDIO UNIT) [AUDIO WITHOUT NAVIGATION]

< DTC/CIRCUIT DIAGNOSIS >

STEERING SWITCH SIGNAL B CIRCUIT (TEL ADAPTER UNIT TO AUDIO UNIT)

Description

INFOID:000000006951958

- Transmits the steering switch signal to TEL adapter unit.
- Transmits the steering switch signal to audio unit through TEL adapter unit.

Diagnosis Procedure

INFOID:000000006951959

1. CHECK STEERING SWITCH SIGNAL B CIRCUIT (TEL ADAPTER UNIT TO AUDIO UNIT)

1. Turn ignition switch OFF.
2. Disconnect audio unit connector and TEL adapter unit connector.
3. Check continuity between audio unit harness connector and TEL adapter unit harness connector.

Audio unit		TEL adapter unit		Continuity
Connector	Terminal	Connector	Terminal	
M46	16	B54	18	Existed

4. Check continuity between audio unit harness connector and ground.

Audio unit		Ground	Continuity
Connector	Terminal		
M46	16		Not existed

Is inspection result normal?

- YES >> GO TO 2.
NO >> Repair harness or connector.

2. CHECK AUDIO UNIT VOLTAGE

1. Connect audio unit connector and TEL adapter unit connector.
2. Turn ignition switch ON.
3. Check voltage between audio unit harness connector terminals.

(+)		(-)		Voltage (Approx.)
Audio unit				
Connector	Terminal	Connector	Terminal	
M46	16	M46	15	3.3 V

Is inspection result normal?

- YES >> Replace TEL adapter unit. Refer to [AV-67, "Exploded View"](#).
NO >> Replace audio unit. Refer to [AV-62, "Exploded View"](#).

STEERING SWITCH SIGNAL GND CIRCUIT (TEL ADAPTER UNIT TO AUDIO UNIT)

< DTC/CIRCUIT DIAGNOSIS >

[AUDIO WITHOUT NAVIGATION]

STEERING SWITCH SIGNAL GND CIRCUIT (TEL ADAPTER UNIT TO AUDIO UNIT)

Description

INFOID:000000006951960

- Transmits the steering switch signal to TEL adapter unit.
- Transmits the steering switch signal to audio unit through TEL adapter unit.

Diagnosis Procedure

INFOID:000000006951961

1. CHECK STEERING SWITCH SIGNAL GROUND CIRCUIT (TEL ADAPTER UNIT TO AUDIO UNIT)

1. Turn ignition switch OFF.
2. Disconnect audio unit connector and TEL adapter unit connector.
3. Check continuity between audio unit harness connector and TEL adapter unit harness connector.

Audio unit		TEL adapter unit		Continuity
Connector	Terminal	Connector	Terminal	
M46	15	B54	19	Existed

Is inspection result normal?

YES >> GO TO 2.

NO >> Repair harness or connector.

2. CHECK GROUND CIRCUIT

1. Connect audio unit connector.
2. Check continuity between audio unit harness connector and ground.

Audio unit		Ground	Continuity
Connector	Terminal		
M46	15		Existed

Is inspection result normal?

YES >> Replace TEL adapter unit. Refer to [AV-67, "Exploded View"](#).

NO >> Replace audio unit. Refer to [AV-62, "Exploded View"](#).

A
B
C
D
E
F
G
H
I
J
K
L
M

AV

O
P

AUDIO UNIT

< ECU DIAGNOSIS INFORMATION >

[AUDIO WITHOUT NAVIGATION]

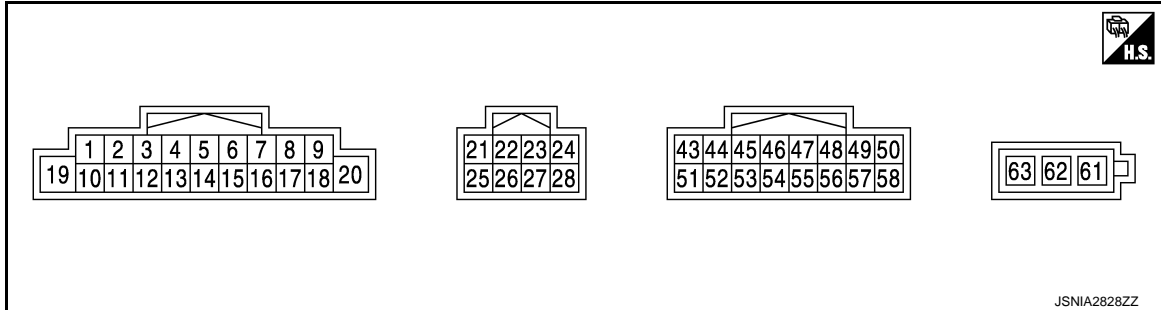
ECU DIAGNOSIS INFORMATION

AUDIO UNIT

Reference Value

INFOID:000000006506208

TERMINAL LAYOUT



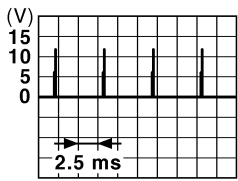
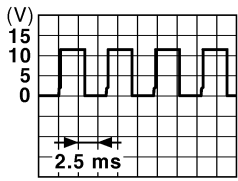
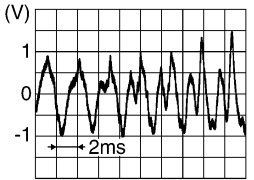
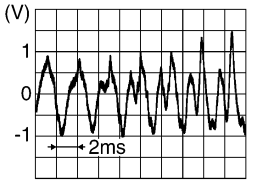
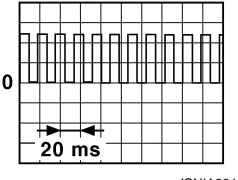
PHYSICAL VALUES

Terminal (Wire color)		Description		Condition		Reference value (Approx.)
+	-	Signal name	Input/ Output			
2 (W)	3 (P)	Sound signal front speaker LH	Output	Ignition switch ON	Sound output	 SKIB3609E
4 (V)	5 (R/B)	Sound signal rear speaker LH	Output	Ignition switch ON	Sound output	 SKIB3609E
6 (W/G)	15 (L/B)	Steering switch signal A	Input	Ignition switch ON	Keep pressing SOURCE switch	0 V
					Keep pressing SEEK UP switch	0.9 V
					Keep pressing SEEK DOWN switch	1.6 V
					Except for above	3.3 V
7 (L/Y)	Ground	ACC power supply	Input	Ignition switch ACC	—	Battery voltage

AUDIO UNIT

< ECU DIAGNOSIS INFORMATION >

[AUDIO WITHOUT NAVIGATION]

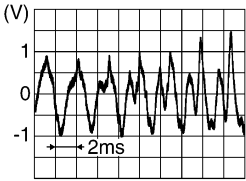
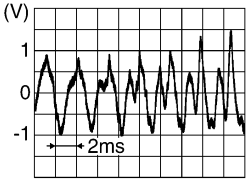
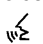
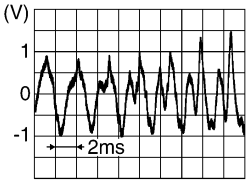
Terminal (Wire color)		Description		Condition	Reference value (Approx.)	
+	-	Signal name	Input/ Output			
9 (W)	8 (B/R)	Illumination control signal	Input	Ignition switch OFF	<ul style="list-style-type: none"> Lighting switch 1ST When meter illumination is maximum 	
				Ignition switch ON	<ul style="list-style-type: none"> Lighting switch 1ST When meter illumination is step 11 	
				Ignition switch ON	<ul style="list-style-type: none"> Lighting switch 1ST When meter illumination is minimum <p style="text-align: center;">0 V</p>	
11 (G)	12 (R)	Sound signal front speaker RH	Output	Ignition switch ON	Sound output	
13 (LG)	14 (GR)	Sound signal rear speaker RH	Output	Ignition switch ON	Sound output	
16 (GR/R)	15 (L/B)	Steering switch signal B	Input	Ignition switch ON	Keep pressing VOL DOWN switch	0 V
				Ignition switch ON	Keep pressing VOL UP switch	0.9 V
				Ignition switch ON	Except for above	3.3 V
18 (L)	Ground	Vehicle speed signal (8-pulse)	Input	Ignition switch ON	When vehicle speed is approx. 40 km/h (25 MPH)	<p>NOTE: The maximum voltage varies depending on the specification (destination unit).</p> 
19 (L)	Ground	Battery power supply	Input	Ignition switch OFF	—	Battery voltage

A
B
C
D
E
F
G
H
I
J
K
L
M
AV
O
P

AUDIO UNIT

< ECU DIAGNOSIS INFORMATION >

[AUDIO WITHOUT NAVIGATION]

Terminal (Wire color)		Description		Condition		Reference value (Approx.)
+	-	Signal name	Input/ Output			
21 (R)	25 (W)	iPod sound signal LH	Input	Ignition switch ON	When iPod mode is select- ed	 <small>SKIB3609E</small>
23 (B)	27 (G)	iPod sound signal RH	Input	Ignition switch ON	When iPod mode is select- ed	 <small>SKIB3609E</small>
28	—	Shield	—	—	—	—
48 (SB)	—	AV communication signal (H)	Input/ Output	—	—	—
49 (LG)	—	AV communication signal (L)	Input/ Output	—	—	—
54 (G/O)	Ground	TEL ON signal	Input	Ignition switch ON	While using hands-free phone system	0 V
					While not using hands-free phone system	5.0 V
56 (BR)	57 (Y)	Sound signal (TEL voice, voice guid- ance)	Input	Ignition switch ON	During voice guide output with the  switch pressed	 <small>SKIB3609E</small>
58	—	Shield	—	—	—	—
61	Ground	Antenna amp. ON signal	Output	Ignition switch ON	—	12.0 V
62	—	AM-FM main	Input	—	—	—

TEL ADAPTER UNIT

< ECU DIAGNOSIS INFORMATION >

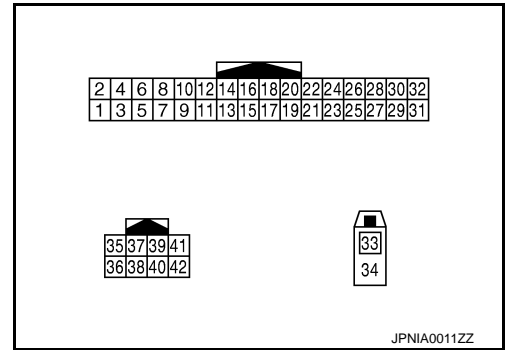
[AUDIO WITHOUT NAVIGATION]

TEL ADAPTER UNIT

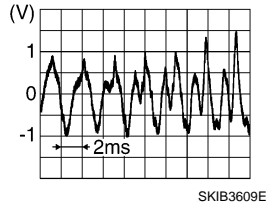

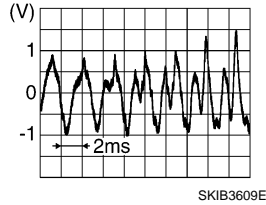
Reference Value

INFOID:000000006506210

TERMINAL LAYOUT





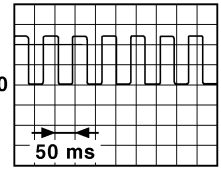
PHYSICAL VALUES

Terminal (Wire color)		Description		Condition		Reference value (Approx.)
+	-	Signal name	Input/ Output			
1 (R)	Ground	Battery power supply	Input	Ignition switch OFF	—	Battery voltage
2 (L)	Ground	ACC power supply	Input	Ignition switch ACC	—	Battery voltage
3 (LG)	Ground	Ignition signal	Input	Ignition switch ON	—	Battery voltage
4 (B)	Ground	Ground	—	Ignition switch ON	—	0 V
7 (L)	8	Microphone signal	Input	Ignition switch ON	Give a voice.	
9 (BR)	10 (Y)	Sound signal (TEL voice, voice guid- ance)	Output	Ignition switch ON	During voice guide output with the  switch pressed.	
11 (SB)	Ground	TEL ON signal	Output	Ignition switch ON	While using hands-free phone system.	0 V
					While not using hands-free phone system.	5.0 V

TEL ADAPTER UNIT

< ECU DIAGNOSIS INFORMATION >

[AUDIO WITHOUT NAVIGATION]

Terminal (Wire color)		Description		Condition	Reference value (Approx.)	
+	-	Signal name	Input/ Output			
12 (W)	14 (GR)	Steering switch signal A	Input	Ignition switch ON	Keep pressing SOURCE switch.	0 V
					Keep pressing SEEK UP switch.	1.3 V
					Keep pressing SEEK DOWN switch.	2.5 V
					Keep pressing  switch.	3.4 V
					Except for above.	5.0 V
13 (SB)	14 (GR)	Steering switch signal B	Input	Ignition switch ON	Keep pressing VOL DOWN switch.	0 V
					Keep pressing VOL UP switch.	1.3 V
					Keep pressing  switch.	2.5 V
					Except for above.	5.0 V
17 (GR)	19 (L)	Steering switch signal A	Output	Ignition switch ON	Keep pressing SOURCE switch.	0 V
					Keep pressing SEEK UP switch.	0.9 V
					Keep pressing SEEK DOWN switch.	1.6 V
					Except for above.	3.3 V
18 (P)	19 (L)	Steering switch signal B	Output	Ignition switch ON	Keep pressing VOL DOWN switch.	0 V
					Keep pressing VOL UP switch.	0.9 V
					Except for above.	3.3 V
22 (B)	Ground	Control signal	—	Ignition switch ON	—	0 V
23 (B)	Ground	Control signal	—		—	0 V
24 (B)	Ground	Control signal	—		—	0 V
27 (B)	Ground	Control signal	—		—	0 V
28 (O)	Ground	Vehicle speed signal (2-pulse)	Input	Ignition switch ON	When vehicle speed is approx. 40 km/h (25 MPH)	<p>NOTE: The maximum voltage varies depending on the specification (destination unit).</p> 
JSNIA0015GB						

TEL ADAPTER UNIT

< ECU DIAGNOSIS INFORMATION >

[AUDIO WITHOUT NAVIGATION]

Terminal (Wire color)		Description		Condition		Reference value (Approx.)
+	-	Signal name	Input/ Output			
29 (R)	Ground	Microphone power supply	Output	Ignition switch ON	—	5.0 V
33	—	TEL antenna signal	Input	—	Not connected to TEL an- tenna connector.	5.0 V
34	—	Shield	—	—	—	—
35 (SB)	—	AV communication signal (H)	Input/ Output	—	—	—
36 (LG)	—	AV communication signal (L)	Input/ Output	—	—	—
39 (Y/R)	—	Date line	—	—	—	—
40 (Y/R)	—	Date line	—	—	—	—
41 (SB)	—	Date line	—	—	—	—
42 (SB)	—	Date line	—	—	—	—

A
B
C
D
E
F
G
H
I
J
K
L
M

AV

O
P

IPOD ADAPTER

< ECU DIAGNOSIS INFORMATION >

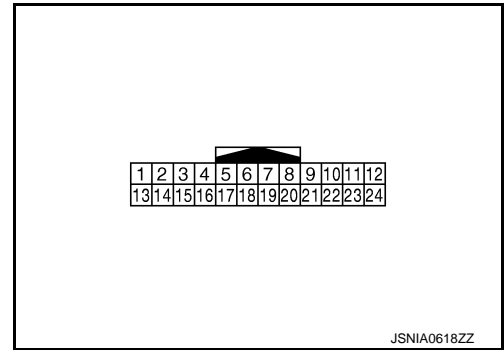
[AUDIO WITHOUT NAVIGATION]

IPOD ADAPTER

Reference Value

INFOID:000000065062.12

TERMINAL LAYOUT



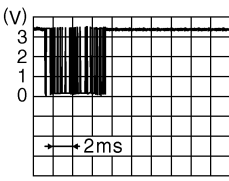
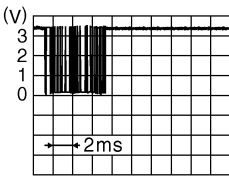
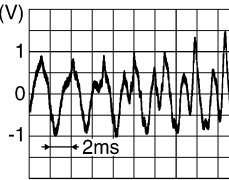
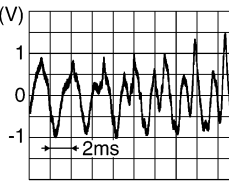
PHYSICAL VALUES

Terminal (Wire color)		Description		Condition		Reference value (Approx.)
+	-	Signal name	Input/ Output			
1 (R)	13 (W)	iPod sound signal LH	Output	Ignition switch ON	When iPod mode is select- ed.	<p>SKIB3609E</p>
2 (B)	14 (G)	iPod sound signal RH	Output	Ignition switch ON	When iPod mode is select- ed.	<p>SKIB3609E</p>
3 (L/Y)	Ground	ACC power supply	Input	Ignition switch ACC	—	Battery voltage
4 (LG)	—	AV communication signal (L)	Input/ Output	—	—	—
5 (L)	Ground	Battery power supply	Input	Ignition switch OFF	—	Battery voltage
6 (GR)	—	USB D+ signal	—	—	—	—
7 (LG)	—	USB D- signal	—	—	—	—
8 (LG)	Ground	iPod battery charge 12 V	Output	Ignition switch ON	Connected to iPod®	12.0 V

IPOD ADAPTER

< ECU DIAGNOSIS INFORMATION >

[AUDIO WITHOUT NAVIGATION]

Terminal (Wire color)		Description		Condition		Reference value (Approx.)
+	-	Signal name	Input/ Output			
9 (P)	Ground	Communication signal (iPod adapter→iPod®)	Output	Ignition switch ON	The wave pattern is displayed just after iPod connection.	 <p>JPNIA0462GB</p> <p>NOTE: After the wave pattern display, the value continues Approx 3.3 V</p>
10 (L)	Ground	Communication signal (iPod®→iPod adapter)	Input	Ignition switch ON	Connected to iPod®	 <p>JPNIA0462GB</p>
11 (O)	Ground	ACCESSORY-IDENTIFY	—	Ignition switch ON	Connected to iPod®	0 V
12 (G/R)	23 (G/Y)	iPod sound signal RH	Input	Ignition switch ON	When iPod mode is selected.	 <p>SKIB3609E</p>
15	—	Shield	—	—	—	—
16 (SB)	—	AV communication signal (H)	Input/ Output	—	—	—
17 (B)	Ground	Ground	—	Ignition switch ON	—	0 V
19	—	Shield	—	—	—	—
20 (BR)	Ground	iPod battery charge 5 V	Output	Ignition switch ON	Connected to iPod®	5.0 V
21 (W/B)	Ground	iPod connection recognition signal	Input	Ignition switch ON	Not connected to iPod®	4.0 V
					Connected to iPod®	0 V
22 (G/O)	Ground	ACCESSORY-DETECT	—	Ignition switch ON	Connected to iPod®	0 V
24 (G/O)	23 (G/Y)	iPod sound signal LH	Input	Ignition switch ON	When iPod mode is selected.	 <p>SKIB3609E</p>

A
B
C
D
E
F
G
H
I
J
K
L
M
O
P

AV

AUDIO WITHOUT NAVIGATION

< WIRING DIAGRAM >

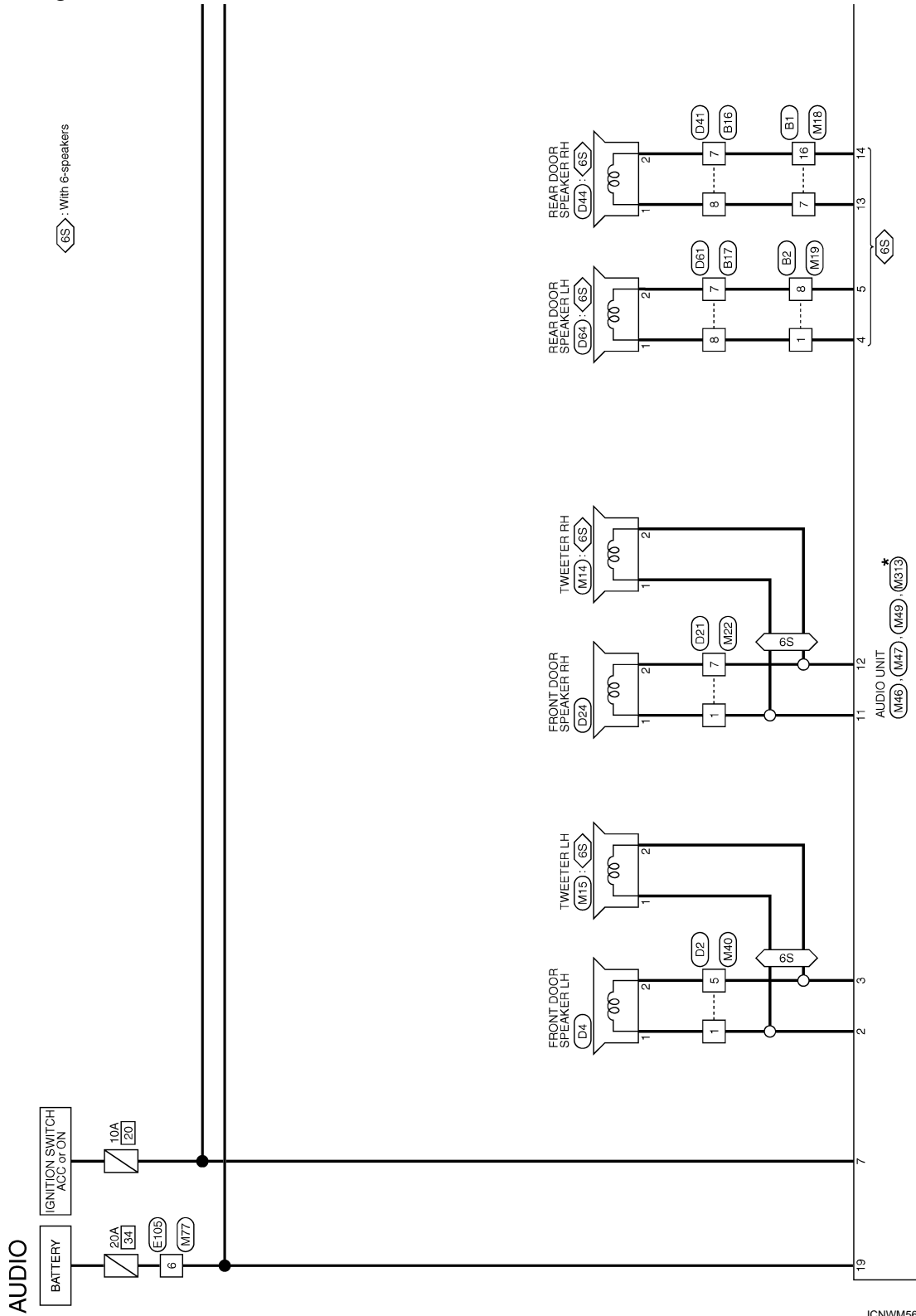
[AUDIO WITHOUT NAVIGATION]

WIRING DIAGRAM

AUDIO WITHOUT NAVIGATION

Wiring Diagram

INFOID:000000006506209



6S : With 6-speakers

* : This connector is not shown in "Harness Layout".

2010/10/14

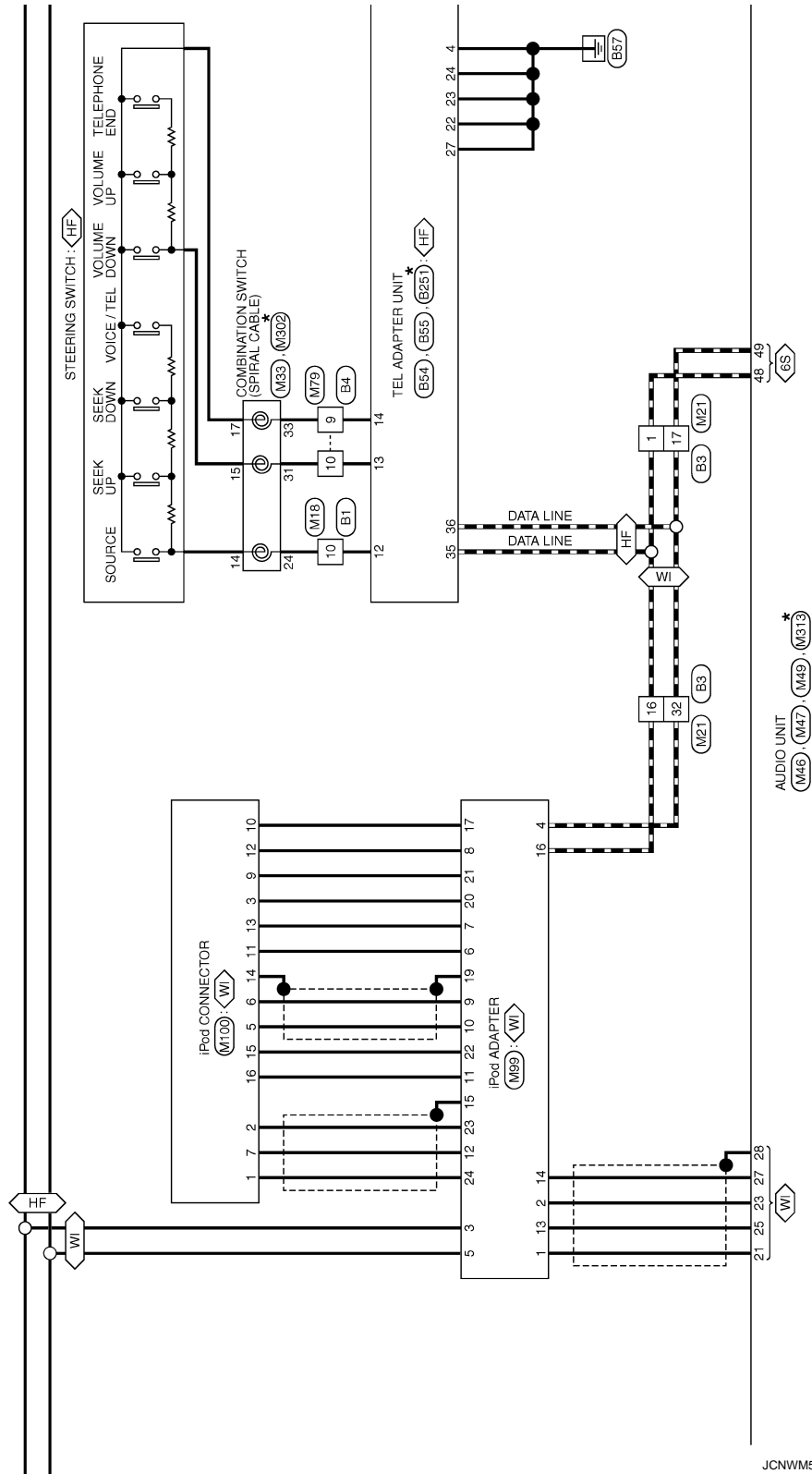
JCNWM5631GB

AUDIO WITHOUT NAVIGATION

< WIRING DIAGRAM >

[AUDIO WITHOUT NAVIGATION]

- WI : With iPod
- HF : With telephone
- 6S : With 6-speakers



*: This connector is not shown in "Harness Layout".

JCNWM5632GB

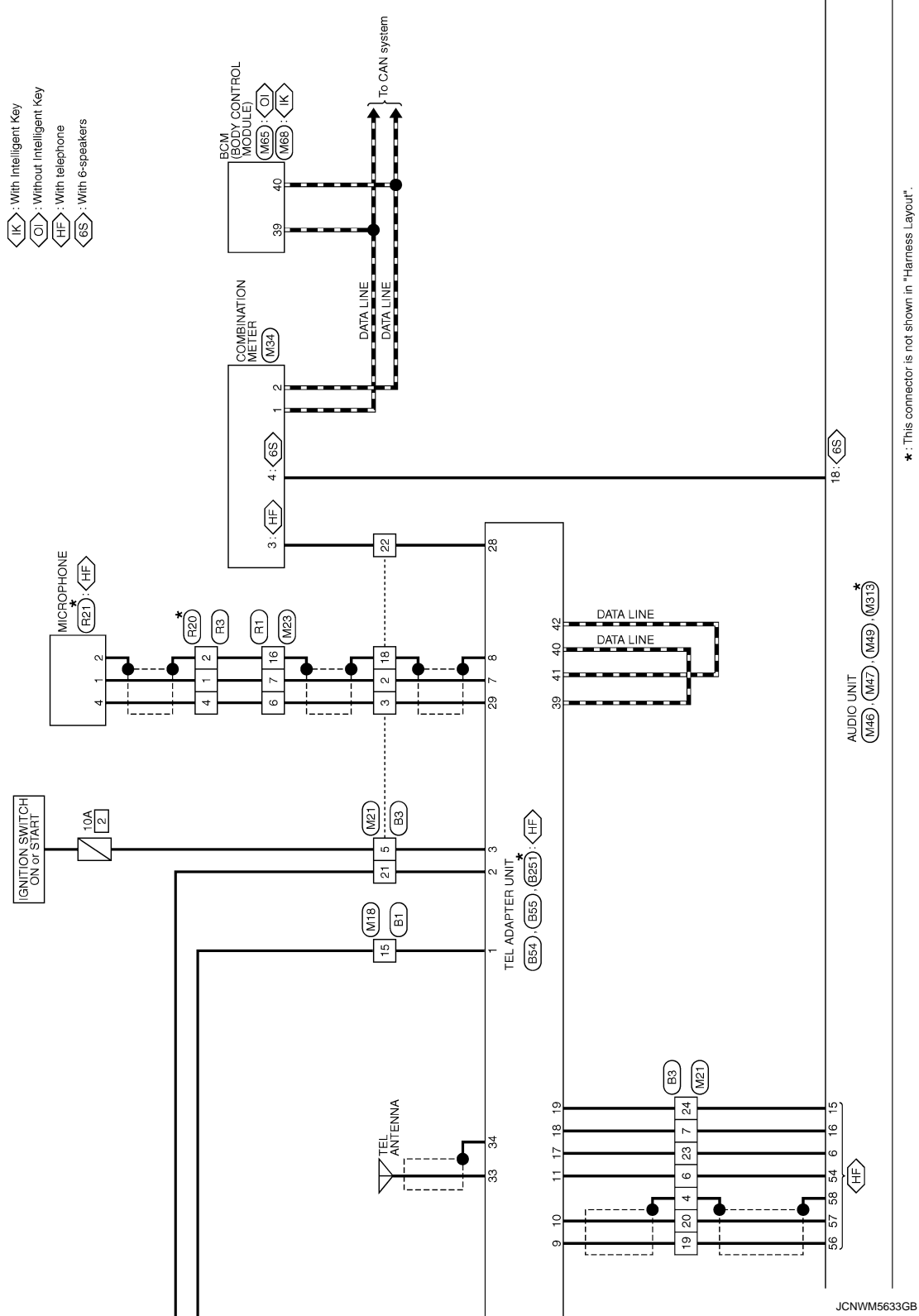
A
B
C
D
E
F
G
H
I
J
K
L
M
N
O
P

AV

AUDIO WITHOUT NAVIGATION

[AUDIO WITHOUT NAVIGATION]

< WIRING DIAGRAM >

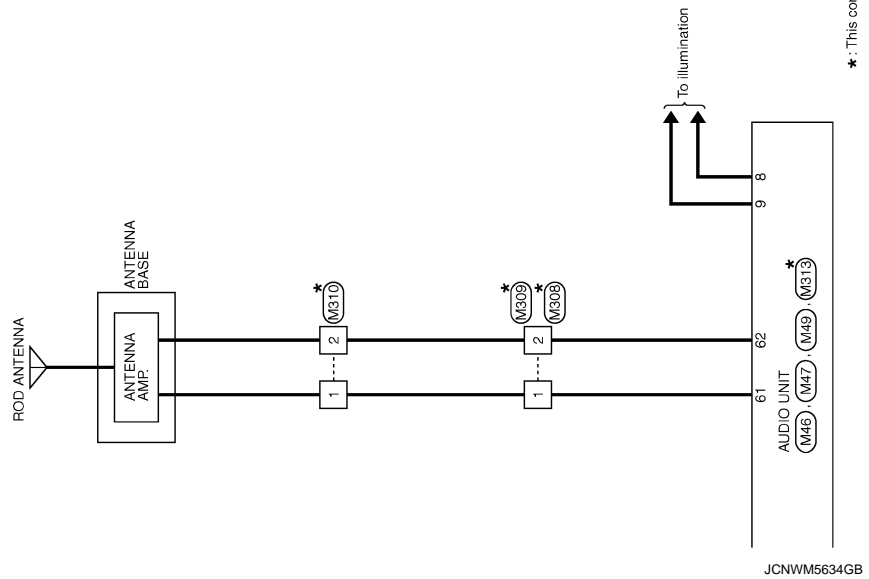


JCNWM5633GB

AUDIO WITHOUT NAVIGATION

< WIRING DIAGRAM >

[AUDIO WITHOUT NAVIGATION]



A
B
C
D
E
F
G
H
I
J
K
L
M
AV
O
P

AUDIO WITHOUT NAVIGATION

< WIRING DIAGRAM >

[AUDIO WITHOUT NAVIGATION]

AUDIO

Connector No.	B1
Connector Name	WIRE TO WIRE
Connector Type	NS16MW-CS



1	2	3	4	5	6	7
8	9	10	11	12	13	14
15	16					

Terminal No.	Color of Wire	Signal Name [Specification]
1	G	-
3	V	-
4	L	-
5	Y	-
6	W	-
7	LG	-
8	GR	-
9	SB	-
10	W	-
11	G	-
12	V	-
13	BR	-
15	R	-
16	GR	-

Connector No.	B2
Connector Name	WIRE TO WIRE
Connector Type	NS16MW-CS



1	2	3	4	5	6	7
8	9	10	11	12	13	14
15	16					

Terminal No.	Color of Wire	Signal Name [Specification]
1	V	-
2	W	-
3	O	-
5	O	-
6	R	-
7	L	-
8	L	-
9	G	-

10	V
11	P
12	LG
14	R
13	Y
16	B

Connector No.	B3
Connector Name	WIRE TO WIRE
Connector Type	TH32MW-NH



1	2	3	4	5	6	7	8	9	10	11	12	13	14	15	16
17	18	19	20	21	22	23	24	25	26	27	28	29	30	31	32

Terminal No.	Color of Wire	Signal Name [Specification]
1	SB	-
2	L	-
3	R	-
4	SHIELD	-
5	LG	-
6	SB	-
7	P	-
14	G	-
15	SB	-
16	SB	-
17	LG	-
18	SHIELD	-
19	BR	-
20	Y	-
21	L	-
22	O	-
23	GR	-
24	L	-
30	R	-
31	LG	-
32	LG	-

Connector No.	B4
Connector Name	WIRE TO WIRE
Connector Type	TH24MW-NH



1	2	3	4	5	6	7	8	9	10	11	12
13	14	15	16	17	18	19	20	21	22	23	24

Terminal No.	Color of Wire	Signal Name [Specification]
1	W	-
2	V	-
3	O	-
4	P	-
5	W	-
8	SB	-
9	GR	-
10	SB	-
11	G	-
12	SB	-
13	L	-
15	R	-
16	GR	-
17	BR	-
18	L	-
20	LG	-
22	Y	-
23	BR	-
24	O	-

Connector No.	B16
Connector Name	WIRE TO WIRE
Connector Type	NS10FW-CS



4	3	2	1
10	9	8	7
6	5	4	3

Terminal No.	Color of Wire	Signal Name [Specification]
1	V	-
4	L	-
5	G	-

7	GR
8	LG
9	W
10	Y

Connector No.	B17
Connector Name	WIRE TO WIRE
Connector Type	NS10FW-CS



4	3	2	1
10	9	8	7
6	5	4	3

Terminal No.	Color of Wire	Signal Name [Specification]
1	V	-
4	L	-
5	G	-
7	L	-
8	V	-
9	R	-
10	O	-

JCNWM5635GB


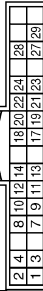
AUDIO WITHOUT NAVIGATION

< WIRING DIAGRAM >

[AUDIO WITHOUT NAVIGATION]



AUDIO

Connector No.	B54
Connector Name	TEL ADAPTER UNIT
Connector Type	TH82FV-NH



Terminal No.	Color of Wire	Signal Name [Specification]
1	R	BATTERY
2	L	ACC
3	LG	IGNITION
4	B	GND
7	I	MICROPHONE SIGNAL
8	SHIELD	MICROPHONE SIGNAL GND
9	BR	SOUND SIGNAL (+)
10	Y	SOUND SIGNAL (-)
11	SB	TEL ON SIGNAL
12	W	STRG SW A
13	SB	STRG SW B
14	GR	STRG SW GND
17	GR	STRG SW A
18	P	STRG SW B
19	L	STRG SW GND
20	B	CONTROL SIGNAL
21	B	CONTROL SIGNAL
22	B	CONTROL SIGNAL
23	B	CONTROL SIGNAL
24	B	CONTROL SIGNAL
27	B	CONTROL SIGNAL
28	O	VEHICLE SPEED (2-PULSE)
29	R	MICROPHONE VCC

Connector No.	B55
Connector Name	TEL ADAPTER UNIT
Connector Type	TH88FV-NH



Terminal No.	Color of Wire	Signal Name [Specification]
35	SB	AV COMM (H)
36	LG	AV COMM (L)
39	Y/R	-
40	Y/R	-
41	SB	-
42	SB	-

Connector No.	B25L
Connector Name	TEL ADAPTER UNIT
Connector Type	GT18C-1S-HU



Terminal No.	Color of Wire	Signal Name [Specification]
33	-	TEL ANTENNA SIGNAL
34	-	SHIELD

Connector No.	D2
Connector Name	WIRE TO WIRE
Connector Type	NS10FV-CS


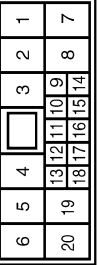
Terminal No.	Color of Wire	Signal Name [Specification]
1	W	-
2	V	-
3	R	-
4	G	-
5	P	-
6	SB	-
8	GR	-
9	BR	-
10	B	-

Connector No.	B4
Connector Name	FRONT DOOR SPEAKER LH
Connector Type	NS22FV-CS



Terminal No.	Color of Wire	Signal Name [Specification]
1	W	-
2	P	-

Connector No.	B21
Connector Name	WIRE TO WIRE
Connector Type	NH10FV-CS10



Terminal No.	Color of Wire	Signal Name [Specification]
1	G	-
2	Y	-
4	B	-
5	L	-
6	SB	-
7	R	-
8	V	-
9	R	-
10	W	-
11	L	-
12	LG	-
13	P	-
14	B	-
15	G	-
16	GR	-
17	BR	-
18	V	-
20	W	-

Connector No.	D24
Connector Name	FRONT DOOR SPEAKER RH
Connector Type	NS22FV-CS

Terminal No.	Color of Wire	Signal Name [Specification]
1	G	-
2	R	-

Connector No.	D41
Connector Name	WIRE TO WIRE
Connector Type	NS10MW-CS

Terminal No.	Color of Wire	Signal Name [Specification]
1	W	-
4	L	-
5	P	-
7	GR	-
8	LG	-
9	BR	-
10	O	-

A
B
C
D
E
F
G
H
I
J
K
L
M
N
O
P

AV

AUDIO WITHOUT NAVIGATION

< WIRING DIAGRAM >

[AUDIO WITHOUT NAVIGATION]

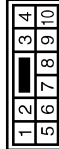
AUDIO

Connector No.	D44
Connector Name	REAR DOOR SPEAKER RH
Connector Type	NS22FW-CS



Terminal No.	Color of Wire	Signal Name [Specification]
1	LG	-
2	GR	-

Connector No.	D61
Connector Name	WIRE TO WIRE
Connector Type	NS10MW-CS



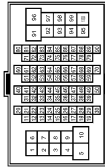
Terminal No.	Color of Wire	Signal Name [Specification]
1	V	-
4	L	-
5	G	-
7	GR	-
8	LG	-
9	BR	-
10	O	-

Connector No.	D64
Connector Name	REAR DOOR SPEAKER LH
Connector Type	NS20FW-CS



Terminal No.	Color of Wire	Signal Name [Specification]
1	LG	-
2	GR	-

Connector No.	E105
Connector Name	WIRE TO WIRE
Connector Type	TR60MP-CS16-TM4



Terminal No.	Color of Wire	Signal Name [Specification]
1	V	-
2	W	-
3	SR	-
4	G	-
5	P	-
6	L	- [With NAV]
7	R	- [Without NAV]
8	Y	-
9	W	-
10	SB	-
31	V	-
32	R	-
33	GR	-
34	P	-
35	Y	-
36	BR	-
39	SR	-
44	R	-
45	V	-

46	P	-
48	L	-
51	BR	- [With CVT]
51	B	- [With M/T]
53	SB	-
54	W	- [With CVT]
54	O	- [With M/T]
57	LG	-
59	L	-
60	O	-
61	G	-
62	W	-
63	L	-
67	GR	- [With CVT]
67	V	- [With M/T]
69	P	-
70	SHIELD	-
71	GR	-
72	LG	-
72	P	-
74	V	-
76	Y	-
77	LG	-
78	O	-
79	G	-
80	P	-
81	L	-
82	W	-
83	BR	-
84	B	-
87	GR	-
91	W	-
92	Y	-
93	Y	-
94	R	-
95	V	-
96	LG	-
97	R	-
98	SB	-
99	G	-
100	P	-

Connector No.	M14
Connector Name	TWEETER RH
Connector Type	TK02FBR



Terminal No.	Color of Wire	Signal Name [Specification]
1	G	-
2	R	-

Connector No.	M15
Connector Name	TWEETER LH
Connector Type	TK02FBR



Terminal No.	Color of Wire	Signal Name [Specification]
1	W	-
2	P	-

AUDIO WITHOUT NAVIGATION

< WIRING DIAGRAM >

[AUDIO WITHOUT NAVIGATION]

AUDIO

Connector No.	M18
Connector Name	WIRE TO WIRE
Connector Type	MS16FW-CS



7	6	5	4	3	2	1		
16	15	14	13	12	11	10	9	8

Terminal No.	Color of Wire	Signal Name [Specification]
1	G/R	-
3	L/W	-
4	L	-
5	Y	-
6	L/B	-
7	LG	-
8	GR	-
9	SB	-
10	W/L	-
11	G	-
12	V	-
13	L	-
15	L	-
16	GR	-

Connector No.	M19
Connector Name	WIRE TO WIRE
Connector Type	MS16FW-CS



7	6	5	4	3	2	1		
16	15	14	13	12	11	10	9	8

Terminal No.	Color of Wire	Signal Name [Specification]
1	V	-
2	W	-
3	O	-
5	L/R	-
6	R	-
7	L	-
8	R/B	-
9	G	-

10	V	-
11	L/W	-
12	LG	-
14	R	-
15	Y/R	-
16	B/R	-

Connector No.	M21
Connector Name	WIRE TO WIRE
Connector Type	TH32FW-NH



16	15	14	13	12	11	10	9	8	7	6	5	4	3	2	1
32	31	30	29	28	27	26	25	24	23	22	21	20	19	18	17

Terminal No.	Color of Wire	Signal Name [Specification]
1	SB	-
2	G	-
3	V	-
4	SHIELD	-
5	O	-
6	G/O	-
7	GR/R	-
14	L	-
15	SB	-
16	SB	-
17	LG	-
18	SHIELD	-
19	BR	-
20	Y	-
21	L/Y	-
22	V	-
23	W/G	-
24	L/B	-
30	P	-
31	LG	-
32	LG	-

Connector No.	M22
Connector Name	WIRE TO WIRE
Connector Type	NH10MW-CS10



1	2	3	4	5	6			
7	8	9	10	11	12	13	19	20
14	15	16	17	18				

Terminal No.	Color of Wire	Signal Name [Specification]
1	G	-
2	G	-
4	B	-
5	L	-
6	W/R	-
7	R	-
8	V	-
9	G/R	-
10	LG	-
11	R	-
12	G	-
13	BR/Y	-
14	B	-
15	G/B	-
16	GR	-
17	BR	-
18	L/Y	-
20	Y/R	-

Connector No.	M23
Connector Name	WIRE TO WIRE
Connector Type	MS16MW-CS



1	2	3	4	5	6	7		
8	9	10	11	12	13	14	15	16

Terminal No.	Color of Wire	Signal Name [Specification]
6	V	-
7	G	-
8	L	-
9	BR	-

10	B	-
16	SHIELD	-

Connector No.	M23
Connector Name	COMBINATION SWITCH (SPIRAL CABLE)
Connector Type	TK08FGY-1V



24	25	26	
31	32	33	34

Terminal No.	Color of Wire	Signal Name [Specification]
24	W/L	-
25	B/L	-
26	B/R	-
31	GR/R	- [With NAV]
32	B/W	- [Without NAV]
33	L/G	-
34	R/B	-

A
B
C
D
E
F
G
H
I
J
K
L
M
AV
O
P

AUDIO WITHOUT NAVIGATION

[AUDIO WITHOUT NAVIGATION]

< WIRING DIAGRAM >

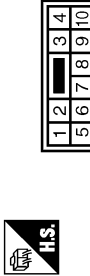
AUDIO

Connector No.	M34
Connector Name	COMBINATION METER
Connector Type	TH40FW-NH



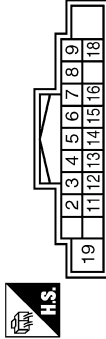
Terminal No.	Color of Wire	Signal Name [Specification]
1	L	CAN-H
2	P	CAN-L
3	V	VEHICLE SPEED SIGNAL (2-PULSE)
4	L	VEHICLE SPEED SIGNAL (8-PULSE)
6	BR/Y	FUEL LEVEL SENSOR SIGNAL
7	R/G	AIR BAG SIGNAL
8	P	OVERDRIVE CONTROL SWITCH SIGNAL
9	O	SEAT BELT BUCKLE SWITCH SIGNAL (DRIVER SIDE)
10	SB	PARKING BRAKE SWITCH SIGNAL
11	G/R	BRAKE FLUID LEVEL SWITCH SIGNAL
15	B/R	ILLUMINATION CONTROL SIGNAL
17	L/Y	ACC POWER SUPPLY
18	G	WASHER LEVEL SWITCH SIGNAL
18	R/Y	SECURITY SIGNAL
19	V/W	AMBIENT SENSOR SIGNAL
20	R/W	AMBIENT SENSOR GROUND
21	B	GROUND
22	B	GROUND
23	B	GROUND
24	V	FUEL LEVEL SENSOR GROUND
25	B	VDC GROUND
27	LG	BATTERY POWER SUPPLY
28	GR	IGNITION SIGNAL
29	BR	PASSENGER SEAT BELT WARNING SIGNAL
31	R	A/C AUTO AMP-CONNECTOR RECOGNITION SIGNAL
35	BR	ENGINE COOLANT TEMPERATURE SIGNAL
38	GR	ALTERNATOR SIGNAL

Connector No.	M40
Connector Name	WIRE TO WIRE
Connector Type	NS10M/R-CS



Terminal No.	Color of Wire	Signal Name [Specification]
1	W	-
2	V	-
3	V	-
4	G/R	-
5	P	-
6	L/B	-
8	GR	-
9	BR	-
10	B	-

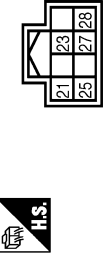
Connector No.	M48
Connector Name	AUDIO UNIT
Connector Type	TH18FW-CSZ



Terminal No.	Color of Wire	Signal Name [Specification]
2	W	SOUND SIGNAL FRONT SPEAKER LH (+)
3	P	SOUND SIGNAL FRONT SPEAKER LH (-)
4	V	SOUND SIGNAL REAR SPEAKER LH (+)
5	R/B	SOUND SIGNAL REAR SPEAKER LH (-)
6	W/G	STRG SW A
7	L/Y	ACC
8	B/R	ILLUMINATION CONTROL SIGNAL (-)
9	W	ILLUMINATION CONTROL SIGNAL (+)
11	G	SOUND SIGNAL FRONT SPEAKER RH (+)
12	R	SOUND SIGNAL FRONT SPEAKER RH (-)
13	LG	SOUND SIGNAL REAR SPEAKER RH (+)
14	GR	SOUND SIGNAL REAR SPEAKER RH (-)
15	L/B	STRG SW GND

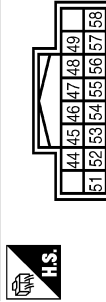
16	GR/R	STRG SW B
18	L	VEHICLE SPEED (8-PULSE)
19	L	BATTERY

Connector No.	M47
Connector Name	AUDIO UNIT
Connector Type	TH08FW-NH



Terminal No.	Color of Wire	Signal Name [Specification]
21	R	Pre-SOUND SIGNAL LH (+)
22	B	Pre-SOUND SIGNAL RH (-)
23	W	Post-SOUND SIGNAL LH (-)
27	G	Post-SOUND SIGNAL RH (-)
28	SHIELD	SHIELD

Connector No.	M49
Connector Name	AUDIO UNIT
Connector Type	TH18FW-NH



Terminal No.	Color of Wire	Signal Name [Specification]
48	SB	AV COMM (H)
49	LG	AV COMM (L)
54	G/O	TEL ON SIGNAL
56	BR	SOUND SIGNAL (+)
57	Y	SOUND SIGNAL (-)
58	SHIELD	SHIELD

Connector No.	M65
Connector Name	BCM (BODY CONTROL MODULE)
Connector Type	TH40FW-NH



Terminal No.	Color of Wire	Signal Name [Specification]
2	BR/W	COMBI SW INPUT 5
3	GR	COMBI SW INPUT 4
4	L/Y	COMBI SW INPUT 3
5	G	COMBI SW INPUT 2
6	L/R	COMBI SW INPUT 1
7	W/R	KEY CYL UNLOCK SW
8	W/B	KEY CYL LOCK SW
9	R	STOP LAMP SW
10	W/L	REAR WINDOW DEFOGGER SW
11	L/Y	ACC
12	SB	PASSENGER DOOR SW
13	GR/L	REAR RH DOOR SW
14	L/B	OPTICAL SENSOR
17	R/G	OPTICAL SENSOR POWER SUPPLY
18	V	RECEIVER / SENSOR GND
19	BR	KEYLESS ENTRY RECEIVER POWER SUPPLY
20	G/Y	KEYLESS ENTRY RECEIVER COMM
21	P/L	MATS ANTENNA AMP
23	R/Y	SECURITY INDICATOR LAMP
24	GR/R	DONGLE LINK
25	LG	MATS ANTENNA AMP
26	GR	THERMO CONTROL AMP
27	Y/G	A/G SW (With auto A/G)
27	Y/R	A/G SW (With manual A/G)
28	G/W	BLOWER FAN SW
29	L/W	HAZARD SW
31	G/Y	FR DEFROSTER SW
32	LG	COMBI SW OUTPUT 5
33	Y/L	COMBI SW OUTPUT 4
34	W	COMBI SW OUTPUT 3
35	R/L	COMBI SW OUTPUT 2
36	L/O	COMBI SW OUTPUT 1
37	R/W	KEY SWITCH
38	O	IGN
39	L	CAN-H
40	P	CAN-L

JCNWM5639GB

AUDIO WITHOUT NAVIGATION

< WIRING DIAGRAM >

[AUDIO WITHOUT NAVIGATION]

AUDIO

Connector No.	M68
Connector Name	BCM BODY CONTROL MODULE
Connector Type	TH4CFB-NH



Terminal No.	Color of Wire	Signal Name [Specification]
2	BR/W	COMBI SW INPUT 5
3	GR	COMBI SW INPUT 4
4	L/Y	COMBI SW INPUT 3
5	G	COMBI SW INPUT 2
6	L/R	COMBI SW INPUT 1
7	W/R	KEY CYL UNLOCK SW
8	W/B	KEY CYL LOCK SW
9	R	STOP LAMP SW 1
12	GR	CENTRAL DOOR LOCK SW
13	BR	CENTRAL DOOR LOCK SW
14	L/B	OPTICAL SENSOR
15	W/L	REAR WINDOW DEFOGGER SW
17	R/G	OPTICAL SENSOR POWER SUPPLY
18	V	SENSOR GND
21	P/L	NATS ANTENNA AMP.
23	R/Y	SECURITY INDICATOR LAMP
24	GR/R	DONGLE LINK
25	LG	NATS ANTENNA AMP.
27	Y/G	A/C SW
28	G/W	BLOWER FAN SW
29	L/W	HAZARD SW
31	G/B	DR DOOR UNLOCK SENSOR
32	LG	COMBI SW OUTPUT 3
33	Y/L	COMBI SW OUTPUT 4
34	W	COMBI SW OUTPUT 3
35	R/L	COMBI SW OUTPUT 2
36	L/O	COMBI SW OUTPUT 1
37	G/O	SHIFT P
38	G/Y	RECEIVER COMM
39	L	CAN-H
40	P	CAN-L

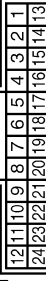
Connector No.	M77
Connector Name	WIRE TO WIRE
Connector Type	TH8GPT-CS16-TM4



Terminal No.	Color of Wire	Signal Name [Specification]
1	B/O	
2	R	
3	G/R	
4	G/B	
5	L	
6	W/R	
7	W/R	
8	G/W	
9	Y/L	
10	W	
31	GR/L	
32	L/B	
33	R/Y	
34	SB	
35	BR	
36	G	
39	L/R	
44	G/O	
45	LG/R	
46	GR/W	
48	L/O	
51	B/W	
53	R/L	
54	O	
57	GR	
58	V	
60	R/W	
61	V/W	
62	W/L	
63	W/B	
67	Y/R	
68	LG	
70	SHIELD	
71	P/B	
72	R/G	
73	R	
74	L/Y	
76	W/G	

77	GR/R	
78	O	
79	LG	
80	P	
81	L	
82	GR	
83	G/R	
84	B	
87	G	
91	R	
92	O	
93	Y	
94	R/B	
95	L/W	
96	Y	
97	L	
98	BR/W	
99	W	
100	G/R	

Connector No.	M79
Connector Name	WIRE TO WIRE
Connector Type	TH24FW-NH



Terminal No.	Color of Wire	Signal Name [Specification]
1	W/G	
2	L/Y	
3	R	
4	P/B	
5	W	
8	SB	
9	L/G	
10	GR/B	
11	G/B	
12	G/R	
13	R/G	
15	R/L	
16	GR/R	
17	BR/Y	
18	V	
20	GR/L	
22	L	

23	Y/L	
24	G/W	



Terminal No.	Color of Wire	Signal Name [Specification]
1	B	iPod SOUND SIGNAL LH (+)
2	B	iPod SOUND SIGNAL RH (+)
3	L/Y	ACC
4	LG	AV COMM (L)
5	L	BATTERY
6	GR	USB D- SIGNAL
7	LG	iPod BATTERY CHARGE 12V
8	LG	COMM (iPod ADAPTER-iPod)
9	P	COMM (iPod ADAPTER-iPod)
10	L	COMM (iPod-iPod ADAPTER)
11	O	ACCESSORY IDENTIFY
12	G/R	iPod SOUND SIGNAL RH (+)
13	W	iPod SOUND SIGNAL LH (-)
14	G	iPod SOUND SIGNAL RH (-)
15	SHIELD	SHIELD
16	SB	AV COMM (H)
17	B	SHIELD
19	SHIELD	SHIELD
20	BR	iPod BATTERY CHARGE 5V
21	W/B	iPod CONNECTION RECOGNITION
22	G/O	ACCESSORY DETECT
23	G/Y	iPod SOUND SIGNAL GND
24	G/O	iPod SOUND SIGNAL LH (+)

A
B
C
D
E
F
G
H
I
J
K
L
M
N
O
P



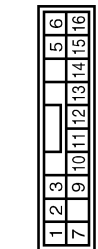
AUDIO WITHOUT NAVIGATION

< WIRING DIAGRAM >

[AUDIO WITHOUT NAVIGATION]

AUDIO

Connector No.	M100
Connector Name	IPod CONNECTOR
Connector Type	IP18FSY



Terminal No.	Color of Wire	Signal Name [Specification]
1	G/O	IPod SOUND SIGNAL LH (+)
2	G/Y	IPod SOUND SIGNAL GND
3	BR	IPod BATTERY CHARGE 5V
5	L	COMM (IPod-IPod ADAPTER)
6	P	COMM (IPod ADAPTER-IPod)
7	G/B	IPod SOUND SIGNAL RM (+)
8	W/B	IPod SOUND SIGNAL RM (-)
10	B	IPod CONNECTION RECOGNITION GND
11	GR	USB D+ SIGNAL
12	LG	IPod BATTERY CHARGE 12V
13	LG	USB D- SIGNAL
14	SHIELD	SHIELD
15	G/O	ACCESSORY DETECT
16	O	ACCESSORY IDENTIFY

Connector No.	M302
Connector Name	COMBINATION SWITCH (SERIAL CABLE)
Connector Type	TK08EGY



Terminal No.	Color of Wire	Signal Name [Specification]
13	R	-
14	Y	-
15	P	-
16	B	-
17	W	-
18	G	-
19	P	-
20	R	-

Connector No.	M308
Connector Name	WIRE TO WIRE
Connector Type	GT1SSCN-1/IPP-HU



Terminal No.	Color of Wire	Signal Name [Specification]
1	-	-
2	-	-

Connector No.	M309
Connector Name	WIRE TO WIRE
Connector Type	GT1SSC-1/IS-HU



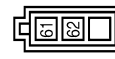
Terminal No.	Color of Wire	Signal Name [Specification]
1	-	-
2	-	-

Connector No.	M310
Connector Name	ANTENNA BASE
Connector Type	GT1SSCN-1/IPP-HU



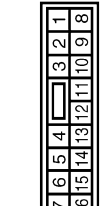
Terminal No.	Color of Wire	Signal Name [Specification]
1	-	ANTENNA AMP ON SIGNAL
2	-	AM-FM MAIN

Connector No.	M313
Connector Name	AUDIO UNIT
Connector Type	GT1SSH-2/IS-HU



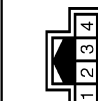
Terminal No.	Color of Wire	Signal Name [Specification]
61	-	ANTENNA AMP ON SIGNAL
62	-	AM-FM MAIN

Connector No.	R1
Connector Name	WIRE TO WIRE
Connector Type	MS18FW-OS



Terminal No.	Color of Wire	Signal Name [Specification]
6	Y	-
7	L	-
8	Y	-
9	BR	-
10	B	-
18	G	-

Connector No.	R3
Connector Name	WIRE TO WIRE
Connector Type	TH04MW-NH



Terminal No.	Color of Wire	Signal Name [Specification]
1	L	-
2	G	-
4	Y	-



Connector No.	R20
Connector Name	WIRE TO WIRE
Connector Type	TH04FW-NH



Terminal No.	Color of Wire	Signal Name [Specification]
1	L	-
2	SHIELD	-
4	R	-

Connector No.	R21
Connector Name	MICROPHONE
Connector Type	TK04FW



Terminal No.	Color of Wire	Signal Name [Specification]
1	L	MICROPHONE SIGNAL
2	SHIELD	MICROPHONE GND
4	R	MICROPHONE VCC

JCNWM5641 GB

AUDIO SYSTEM SYMPTOMS

< SYMPTOM DIAGNOSIS >

[AUDIO WITHOUT NAVIGATION]

SYMPTOM DIAGNOSIS

AUDIO SYSTEM SYMPTOMS

Symptom Table

INFOID:000000006506214

AUDIO SYSTEM

Symptoms	Check items	Possible malfunction location / Action to take
Audio sound is not heard.	No sound from all speakers.	<ul style="list-style-type: none"> Audio unit power supply and ground circuit. Refer to AV-19. "AUDIO UNIT : Diagnosis Procedure".
	Sound is not heard only from the specific places.	Sound signal circuit of malfunctioning system.
AM/FM radio is not received.	Other audio sounds are normal.	<ul style="list-style-type: none"> Antenna amp. ON signal circuit. Antenna base Antenna feeder

RELATED TO iPod®

Trouble Diagnosis Chart by Symptom

Connect another iPod® and check if the symptom is reproduced or not. If the symptom is reproduced, diagnose the vehicle. If no malfunction is detected, replace the iPod harness.

NOTE:


- It is unable to read a connection between iPod® and iPod harness.
- Charging of iPod® with no 5 V charging circuit is not supported. (e.g. iPod 1G mechanical scroll wheel, iPod Classic 2G touch-sensitive wheel, and iPod Classic 3G 4 touch button)

Trouble diagnosis chart by symptom

Symptoms	Check items	Possible malfunction location / Action to take
There is no sound from the iPod®.	Other audio sounds are normal.	<ul style="list-style-type: none"> iPod sound signal circuit between audio unit and iPod adapter. iPod sound signal circuit between iPod® and iPod adapter.
"iPod No connect" is displayed when "iPod" switch is pressed.	<ul style="list-style-type: none"> iPod battery charging is normal. iPod software and hardware version are displayed when performing audio unit self-diagnosis. 	Communication circuit between iPod® and iPod adapter.
	<ul style="list-style-type: none"> iPod battery charging is normal. iPod software and hardware version are not displayed when performing audio unit self-diagnosis. 	AV communication circuit between audio unit and iPod adapter.
	iPod battery charge does not work.	iPod adapter power supply and ground circuit. Refer to AV-19. "iPod ADAPTER : Diagnosis Procedure" .
iPod® cannot charge the battery.	Not chargeable even when connecting other iPod®. Refer to NOTE.	iPod battery charge 5 V circuit between iPod® and iPod adapter.

iPod® is a trademark of Apple inc., registered in the U.S. and other countries.

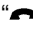
RELATED TO STEERING SWITCH

Symptoms	Possible malfunction location / Action to take
All steering switches are not operated.	Steering switch signal ground circuit. (steering switch to TEL adapter unit) Refer to AV-29. "Diagnosis Procedure" .
"SOURCE", "SEEK UP", "VOL UP", "SEEK DOWN" and "VOL DOWN" switches are not operated.	Steering switch signal ground circuit. (TEL adapter unit to audio unit) Refer to AV-33. "Diagnosis Procedure" .
Only specified switch cannot be operated.	Replace steering switch.
"  ", "SOURCE", "SEEK UP" and "SEEK DOWN" switches are not operated.	Steering switch signal A circuit. (steering switch to TEL adapter unit) Refer to AV-25. "Diagnosis Procedure" .

AUDIO SYSTEM SYMPTOMS

< SYMPTOM DIAGNOSIS >

[AUDIO WITHOUT NAVIGATION]

Symptoms	Possible malfunction location / Action to take
"SOURCE", "SEEK UP" and "SEEK DOWN" switches are not operated.	Steering switch signal A circuit. (TEL adapter unit to audio unit) Refer to AV-31 , "Diagnosis Procedure".
"  ", "VOL UP" and "VOL DOWN" switches are not operated.	Steering switch signal B circuit. (steering switch to TEL adapter unit) Refer to AV-27 , "Diagnosis Procedure".
"VOL UP" and "VOL DOWN" switches are not operated.	Steering switch signal B circuit. (TEL adapter unit to audio unit) Refer to AV-32 , "Diagnosis Procedure".

HANDS-FREE PHONE SYMPTOMS

< SYMPTOM DIAGNOSIS >

[AUDIO WITHOUT NAVIGATION]

HANDS-FREE PHONE SYMPTOMS

Symptom Table

INFOID:000000006506215

RELATED TO HANDS-FREE PHONE

- Check that the cellular phone is corresponding type (Bluetooth™ enabled) when the hands-free related malfunction vehicle is in service before performing a diagnosis.
- There is a case that malfunction occurs due to the version change of the phone type, etc. even though it is a corresponding type. Therefore, confirm it by changing the cellular phone to another corresponding type phone, and check that it operates normally. It is necessary to distinguish whether the cause is the vehicle or cellular phone. Check to ensure the customer's phone is supported by checking the phone compatibility for the hands-free system.

Simple Check for Bluetooth™ Communication

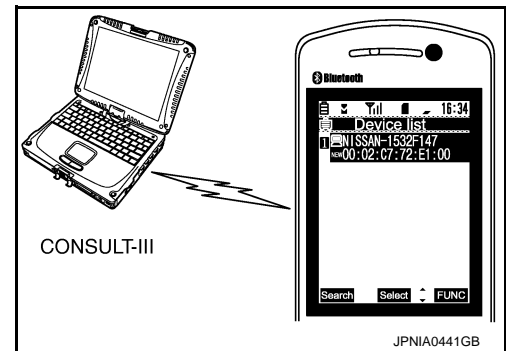
If cellular phone and TEL adapter unit cannot be connected with Bluetooth™ communication, following procedure allows the technician to judge which device has malfunction.

1. Turn on a cellular phone, not connecting Bluetooth™ communication.
2. Start CONSULT-III, then start Windows®.
3. Set CONSULT-III near a cellular phone.
4. When operated Bluetooth™ registration by cellular phone, check if CONSULT-III* would be displayed on the device name.
(If other Bluetooth™ device is located near cellular phone, a name of the device would be displayed also.)

NOTE:

*:Displayed device name is "NISSAN-*****".

- If no device name is displayed, cellular phone is malfunction. Repair the cellular phone first, then perform diagnosis.
- If CONSULT-III is displayed on device name, cellular phone is normal. Perform diagnosis as per the following table.



Trouble Diagnosis Chart by Symptom

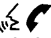
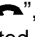
Symptoms	Check items	Possible malfunction location/Action to take
Does not recognize cellular phone connection.	Repeat the registration of cellular phone.	TEL adapter unit
Hands-free phone cannot be established.	Both the reception and the speech cannot be performed.	<ul style="list-style-type: none"> • TEL adapter unit power supply and ground circuit. Refer to AV-20, "TEL ADAPTER UNIT : Diagnosis Procedure". • Control signal circuit • AV communication circuit between audio unit and TEL adapter unit.
	<ul style="list-style-type: none"> • Both the reception and the speech cannot be performed. • Audio can be operated by steering switch. 	TEL ON signal circuit.
The other party's voice cannot be heard by hands-free phone.	Audio system sound is normal.	Sound signal (telephone voice, telephone guidance) circuit
	Audio system sound does not sound.	Refer to AV-53, "Symptom Table" .
Originating sound is not heard by the other party with hands-free phone communication.	Sound operation function is normal.	TEL adapter unit
	Sound operation function does not work.	Microphone signal circuit. Refer to AV-22, "Diagnosis Procedure" .

RELATED TO STEERING SWITCH

HANDS-FREE PHONE SYMPTOMS

< SYMPTOM DIAGNOSIS >

[AUDIO WITHOUT NAVIGATION]

Symptoms	Possible malfunction location / Action to take
All steering switches are not operated.	Steering switch signal ground circuit. (steering switch to TEL adapter unit) Refer to AV-29. "Diagnosis Procedure" .
Only specified switch cannot be operated.	Replace steering switch.
"  ", "SOURCE", "SEEK UP" and "SEEK DOWN" switches are not operated.	Steering switch signal A circuit. (steering switch to TEL adapter unit) Refer to AV-25. "Diagnosis Procedure" .
"  ", "VOL UP" and "VOL DOWN" switches are not operated.	Steering switch signal B circuit. (steering switch to TEL adapter unit) Refer to AV-27. "Diagnosis Procedure" .

NORMAL OPERATING CONDITION

< SYMPTOM DIAGNOSIS >

[AUDIO WITHOUT NAVIGATION]

NORMAL OPERATING CONDITION

Description

INFOID:000000006506216

RELATED TO AUDIO

- The majority of the audio malfunctions are the result of outside causes (bad CD, electromagnetic interference, etc.). Check the symptoms below to diagnose the malfunction.
- The vehicle itself can be a source of noise if noise prevention parts or electrical equipment is malfunctioning. Check that noise is caused and/or changed by engine speed, ignition switch turned to each position, and operation of each piece of electrical equipment. Then determine the cause.

NOTE:

- CD-R is not guaranteed to play because they can contain compressed audio (MP3, WMA) or could be incorrectly mastered by the customer on a computer.
- Check that the CDs carry the Compact Disc Logo. If not, the disc is not mastered to the red book Compact Disc Standard and may not play.

Symptoms	Cause and Counter measure
Cannot play	Check that the disc was inserted correctly.
	Check that the disc is scratched or dirty.
	Check if there is condensation inside the player. If there is, wait until the condensation is gone (about 1 hour) before using the player.
	If there is a temperature increase error, the CD player will play correctly after it returns to the normal temperature.
	Files with extensions other than “.MP3”, “.WMA”, “.mp3”, or “.wma” cannot be played. In addition, the character codes and number of characters for folder names and file names should be in compliance with the specifications.
	Check if the disc or the file is generated in an irregular format. This may occur depending on the variation or the setting of MP3/WMA writing applications or other text editing applications.
	Check if the finalization process, such as session close and disc close, is done for the disc.
Poor sound quality	Check if the disc is scratched or dirty.
	Bit rate may be too low.
It takes a relatively long time before the music starts playing.	If there are many folder or file levels on the MP3/WMA CD, or if it is a multisession disc, some time may be required before the music starts playing.
Music cuts off or skips	The writing software and hardware combination might not match, or the writing speed, writing depth, writing width, etc., might not match the specifications. Try using the slowest writing speed.
Skipping with high bit rate files	Skipping may occur with large quantities of data, such as for high bit rate data.
Move immediately to the next song when playing.	When a non-MP3/WMA file has been given an extension of “.MP3”, “.WMA”, “.mp3” or “.wma”, or when play is prohibited by copyright protection, there will be approximately 5 seconds of no sound and then the player will skip to the next song.
The songs do not play back in the desired order.	The playback order is the order in which the files were written by the writing software. Therefore, the files might not play in the desired order.

Noise resulting from variations in field strength, such as fading noise and multi-path noise, or external noise from trains and other sources, is not a malfunction.

NOTE:

- Fading noise: This noise occurs because of variations in the field strength in a narrow range due to mountains or buildings blocking the signal.
- Multi-path noise: This noise results from a time difference between the broadcast waves directly from the station arriving at the antenna and the waves reflected by mountains or buildings.

RELATED TO TELEPHONE

NORMAL OPERATING CONDITION

< SYMPTOM DIAGNOSIS >

[AUDIO WITHOUT NAVIGATION]

Symptoms	Cause and Counter measure
System fails to interpret the command correctly.	1. Ensure that the command format is valid.
	2. Ensure that the command is spoken after the tone.
	3. Speak clearly without pausing between words and at a level appropriate to the ambient noise level in the vehicle.
	4. Ensure that the ambient noise level is not excessive (for example, windows open or defroster on). NOTE: If it is too noisy to use the phone, it is likely that the voice commands will not be recognized.
	5. If more than one command was said at a time, try saying the commands separately.
	6. If the system consistently fails to recognize commands, the voice training procedure should be carried out to improve the recognition response for the speaker. Refer to AV-17, "Diagnosis Description" .
The system consistently selects the wrong entry from the phone book.	1. Ensure that the phone book entry name requested matches what was originally stored. This can be confirmed by using the "List Names" command.
	2. Replace one of the names being confused with a new name.

PRECAUTION

PRECAUTIONS

Precaution for Supplemental Restraint System (SRS) "AIR BAG" and "SEAT BELT PRE-TENSIONER"

INFOID:000000006506217

The Supplemental Restraint System such as "AIR BAG" and "SEAT BELT PRE-TENSIONER", used along with a front seat belt, helps to reduce the risk or severity of injury to the driver and front passenger for certain types of collision. This system includes seat belt switch inputs and dual stage front air bag modules. The SRS system uses the seat belt switches to determine the front air bag deployment, and may only deploy one front air bag, depending on the severity of a collision and whether the front occupants are belted or unbelted. Information necessary to service the system safely is included in the "SRS AIR BAG" and "SEAT BELT" of this Service Manual.

WARNING:

Always observe the following items for preventing accidental activation.

- To avoid rendering the SRS inoperative, which could increase the risk of personal injury or death in the event of a collision that would result in air bag inflation, all maintenance must be performed by an authorized NISSAN/INFINITI dealer.
- Improper maintenance, including incorrect removal and installation of the SRS, can lead to personal injury caused by unintentional activation of the system. For removal of Spiral Cable and Air Bag Module, see "SRS AIR BAG".
- Never use electrical test equipment on any circuit related to the SRS unless instructed to in this Service Manual. SRS wiring harnesses can be identified by yellow and/or orange harnesses or harness connectors.

PRECAUTIONS WHEN USING POWER TOOLS (AIR OR ELECTRIC) AND HAMMERS

WARNING:

Always observe the following items for preventing accidental activation.

- When working near the Air Bag Diagnosis Sensor Unit or other Air Bag System sensors with the ignition ON or engine running, never use air or electric power tools or strike near the sensor(s) with a hammer. Heavy vibration could activate the sensor(s) and deploy the air bag(s), possibly causing serious injury.
- When using air or electric power tools or hammers, always switch the ignition OFF, disconnect the battery, and wait at least 3 minutes before performing any service.

Precaution for Trouble Diagnosis

INFOID:000000006932104

AV COMMUNICATION SYSTEM

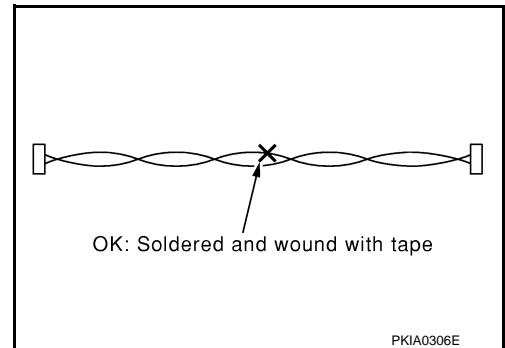
- Do not apply voltage of 7.0 V or higher to the measurement terminals.
- Use the tester with its open terminal voltage being 7.0 V or less.
- Be sure to turn ignition switch OFF and disconnect the battery cable from the negative terminal before checking the circuit.

Precaution for Harness Repair

INFOID:000000006932105

AV COMMUNICATION SYSTEM

- Solder the repaired parts, and wrap with tape. [Frays of twisted line must be within 110 mm (4.33 in).]

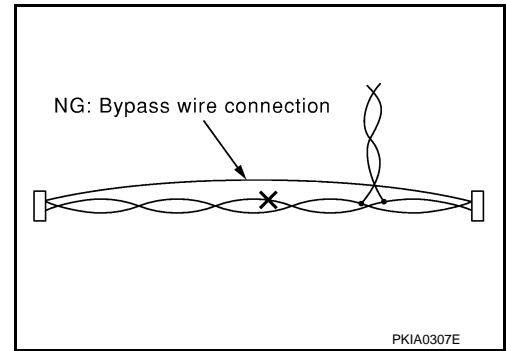


PRECAUTIONS

< PRECAUTION >

- Do not perform bypass wire connections for the repair parts. (The spliced wire will become separated and the characteristics of twisted line will be lost.)

[AUDIO WITHOUT NAVIGATION]

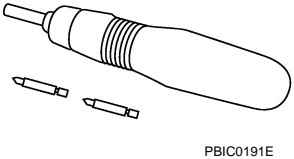


PREPARATION

PREPARATION

Commercial Service Tools

INFOID:000000006932106

Tool name	Description
Power tool  PBIC0191E	Loosening screws

A
B
C
D
E
F
G
H
I
J
K
L
M
AV
O
P

AV

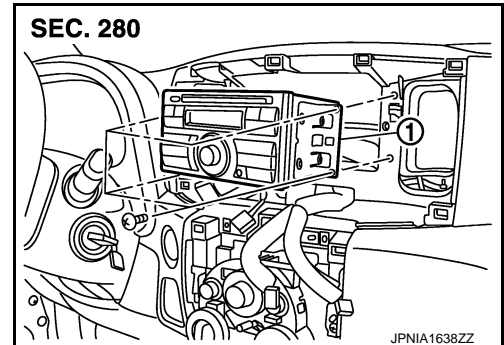
REMOVAL AND INSTALLATION

AUDIO UNIT

Exploded View

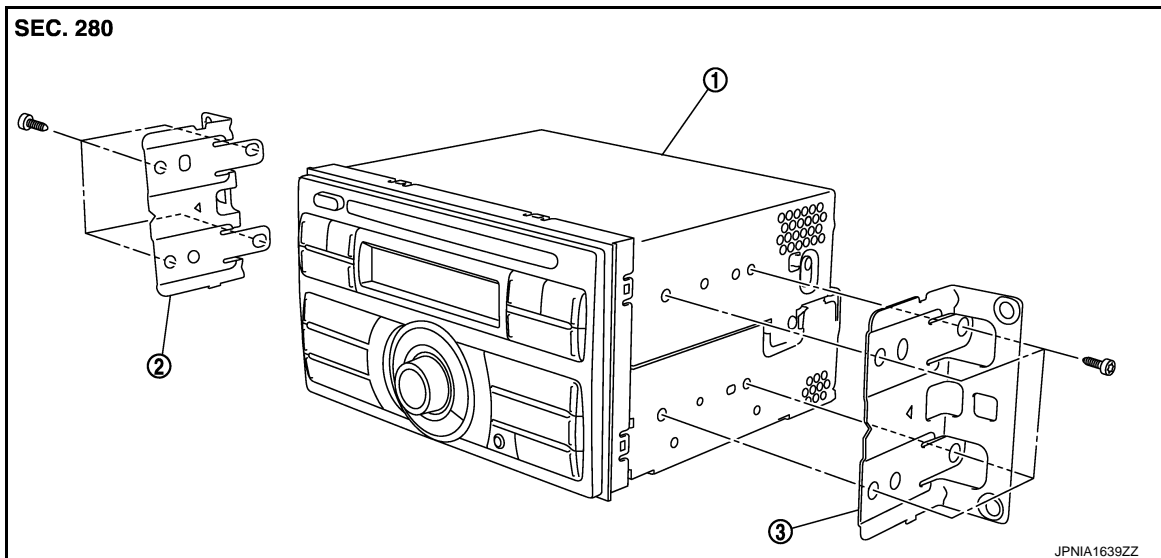
REMOVAL

INFOID:000000006506221



1. Audio unit

DISASSEMBLY



1. Audio unit
2. Bracket LH
3. Bracket RH

Removal and Installation

INFOID:000000006506222

REMOVAL

1. Remove cluster lid C. Refer to [IP-12, "Exploded View"](#).
2. Remove audio unit screws, then disconnect audio unit connector and remove audio unit.
3. Remove bracket screws to remove audio unit.

INSTALLATION

Install in the reverse order of removal.

FRONT DOOR SPEAKER

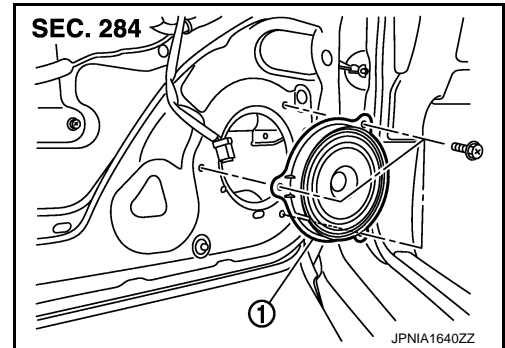
< REMOVAL AND INSTALLATION >

[AUDIO WITHOUT NAVIGATION]

FRONT DOOR SPEAKER

Exploded View

INFOID:000000006932107



1. Front door speaker

Removal and Installation

INFOID:000000006932108

REMOVAL

1. Remove front door finisher. Refer to [INT-12. "Exploded View"](#).
2. Remove front door speaker screws, then disconnect front door speaker connector and remove front door speaker.

INSTALLATION

Install in the reverse order of removal.

A
B
C
D
E
F
G
H
I
J
K
L
M
O
P

AV

TWEETER

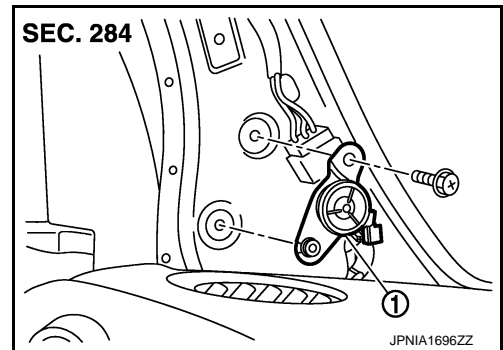
< REMOVAL AND INSTALLATION >

[AUDIO WITHOUT NAVIGATION]

TWEETER

Exploded View

INFOID:000000006932109



1. Tweeter

Removal and Installation

INFOID:000000006932110

REMOVAL

1. Remove front pillar garnish. Refer to [INT-16, "Exploded View"](#).
2. Remove tweeter screw and clip, then disconnect tweeter connector and remove tweeter.

INSTALLATION

Install in the reverse order of removal.

REAR DOOR SPEAKER

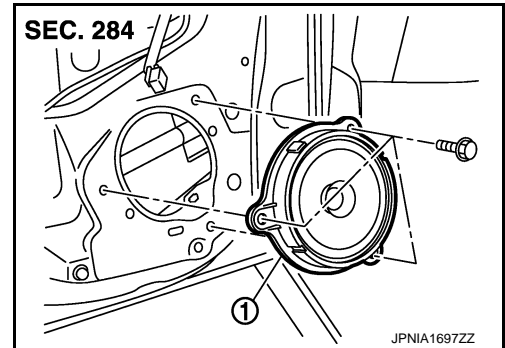
< REMOVAL AND INSTALLATION >

[AUDIO WITHOUT NAVIGATION]

REAR DOOR SPEAKER

Exploded View

INFOID:000000006932111



1. Rear door speaker

Removal and Installation

INFOID:000000006932112

REMOVAL

1. Remove rear door finisher. Refer to [INT-14. "Exploded View"](#).
2. Remove rear door speaker screws, then disconnect rear door speaker connector and remove rear door speaker.

INSTALLATION

Install in the reverse order of removal.

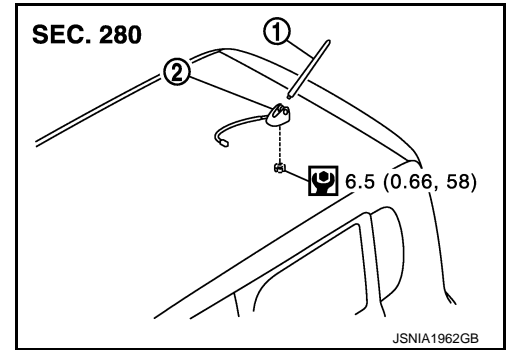
A
B
C
D
E
F
G
H
I
J
K
L
M
O
P

AV

ANTENNA BASE

Exploded View

INFOID:000000006932120



1. Antenna rod
2. Antenna base

Refer to [GI-4, "Components"](#) for symbols in the figure.

Removal and Installation

INFOID:000000006932121

REMOVAL

1. Remove luggage side upper finisher. Refer to [INT-24, "Exploded View"](#).
2. Remove assist grip and headlining clips. Refer to [INT-21, "Exploded View"](#).
3. Pull headlining (rear). Obtain a service area.
4. Remove antenna base mounting nut.
5. Remove antenna base.

INSTALLATION

Install in the reverse order of removal.

CAUTION:

If the antenna base mounting nut is tightened looser than the specified torque, then this will lower the sensitivity of the antenna. On the other hand, if the nut is tightened tighter than the specified torque, then this will deform the roof panel.

TEL ADAPTER UNIT

< REMOVAL AND INSTALLATION >

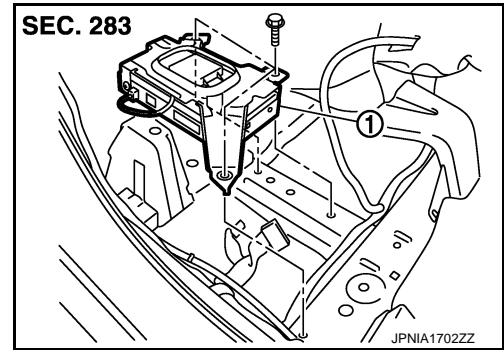
[AUDIO WITHOUT NAVIGATION]

TEL ADAPTER UNIT

Exploded View

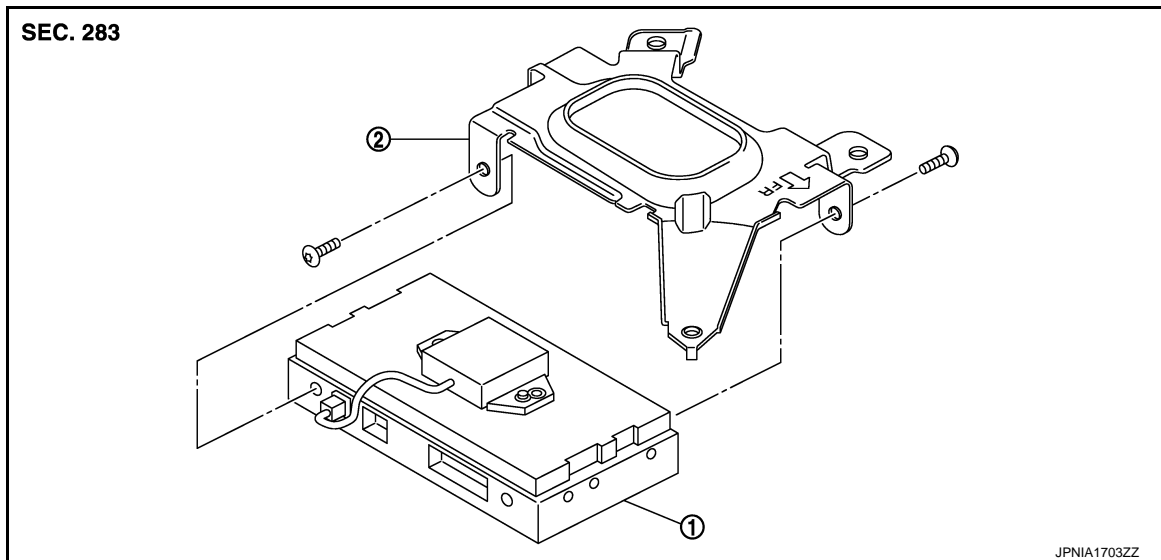
INFOID:000000006932114

REMOVAL



1. TEL adapter unit

DISASSEMBLY



1. TEL adapter unit
2. Bracket

Removal and Installation

INFOID:000000006932115

REMOVAL

1. Remove rear floor spacer RH. Refer to [INT-19. "Exploded View"](#).
2. Disconnect TEL adapter unit connector.
3. Remove TEL adapter unit screws, then remove TEL adapter unit.
4. Remove bracket screws, and then remove TEL adapter unit.

INSTALLATION

Install in the reverse order of removal.

A
B
C
D
E
F
G
H
I
J
K
L
M
O
P

AV

MICROPHONE

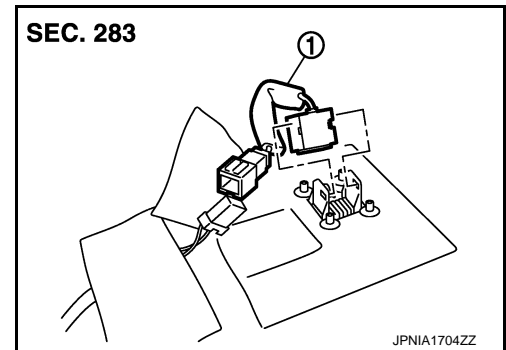
< REMOVAL AND INSTALLATION >

[AUDIO WITHOUT NAVIGATION]

MICROPHONE

Exploded View

INFOID:000000006932116



1. Microphone

Removal and Installation

INFOID:000000006932117

REMOVAL

1. Remove front pillar garnish LH and center pillar upper garnish LH. Refer to [INT-16. "Exploded View"](#).
2. Remove sunvisor assy, map lamp assy, assist grip LH, and inside mirror cover. Refer to [INT-21. "Exploded View"](#).
3. Pull headlining (left front). Obtain a service area.
4. Remove microphone connector and pawl to remove microphone.

INSTALLATION

Install in the reverse order of removal.

STEERING SWITCH

< REMOVAL AND INSTALLATION >

[AUDIO WITHOUT NAVIGATION]

STEERING SWITCH

Exploded View

INFOID:000000006932118

Refer to [ST-8. "Exploded View"](#).

Removal and Installation

INFOID:000000006932119

REMOVAL

Refer to [ST-8. "Removal and Installation"](#).

INSTALLATION

Install in the reverse order of removal.

A

B

C

D

E

F

G

H

I

J

K

L

M

AV

O

P

IPOD ADAPTER

< REMOVAL AND INSTALLATION >

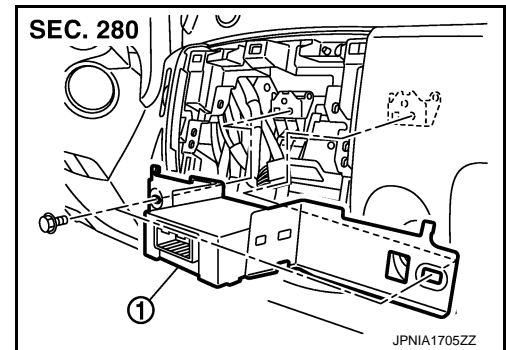
[AUDIO WITHOUT NAVIGATION]

IPOD ADAPTER

Exploded View

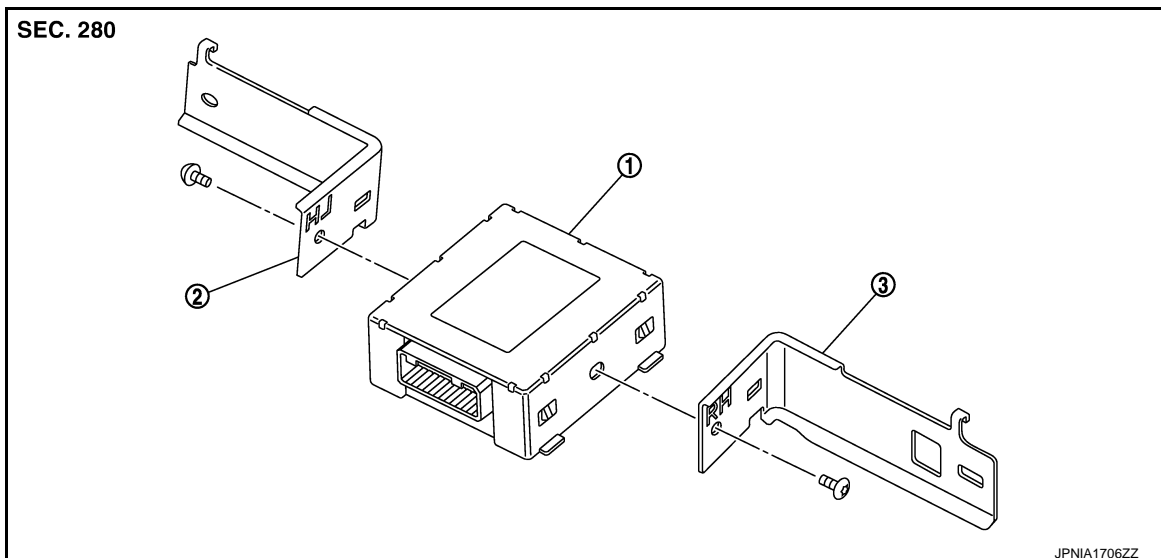
INFOID:000000006506235

REMOVAL



1. iPod adapter

DISASSEMBLY



1. iPod adapter
2. Bracket LH
3. Bracket RH

Removal and Installation

INFOID:000000006506236

REMOVAL

1. Remove A/C finisher. Refer to [IP-12. "Exploded View"](#).
2. Remove iPod adapter connector and screws to remove iPod adapter.

INSTALLATION

Install in the reverse order of removal.

IPOD CONNECTOR

< REMOVAL AND INSTALLATION >

[AUDIO WITHOUT NAVIGATION]

IPOD CONNECTOR

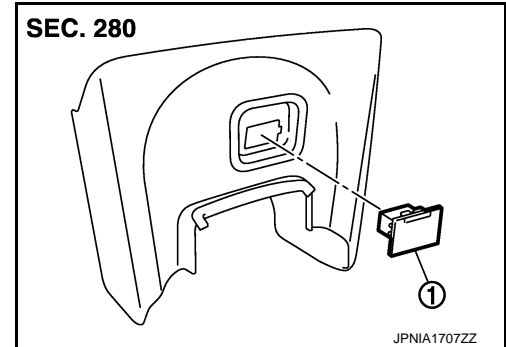
Exploded View

INFOID:000000006506237

REMOVAL

Refer to [IP-12, "Exploded View"](#).

DISASSEMBLY



1. iPod connector

Removal and Installation

INFOID:000000006506238

REMOVAL

1. Remove instrument lower cover. Refer to [IP-12, "Exploded View"](#).
2. Push the pawl from the back of instrument lower cover to remove iPod connector.

INSTALLATION

Install in the reverse order of removal.

A
B
C
D
E
F
G
H
I
J
K
L
M
O
P

AV

ANTENNA FEEDER

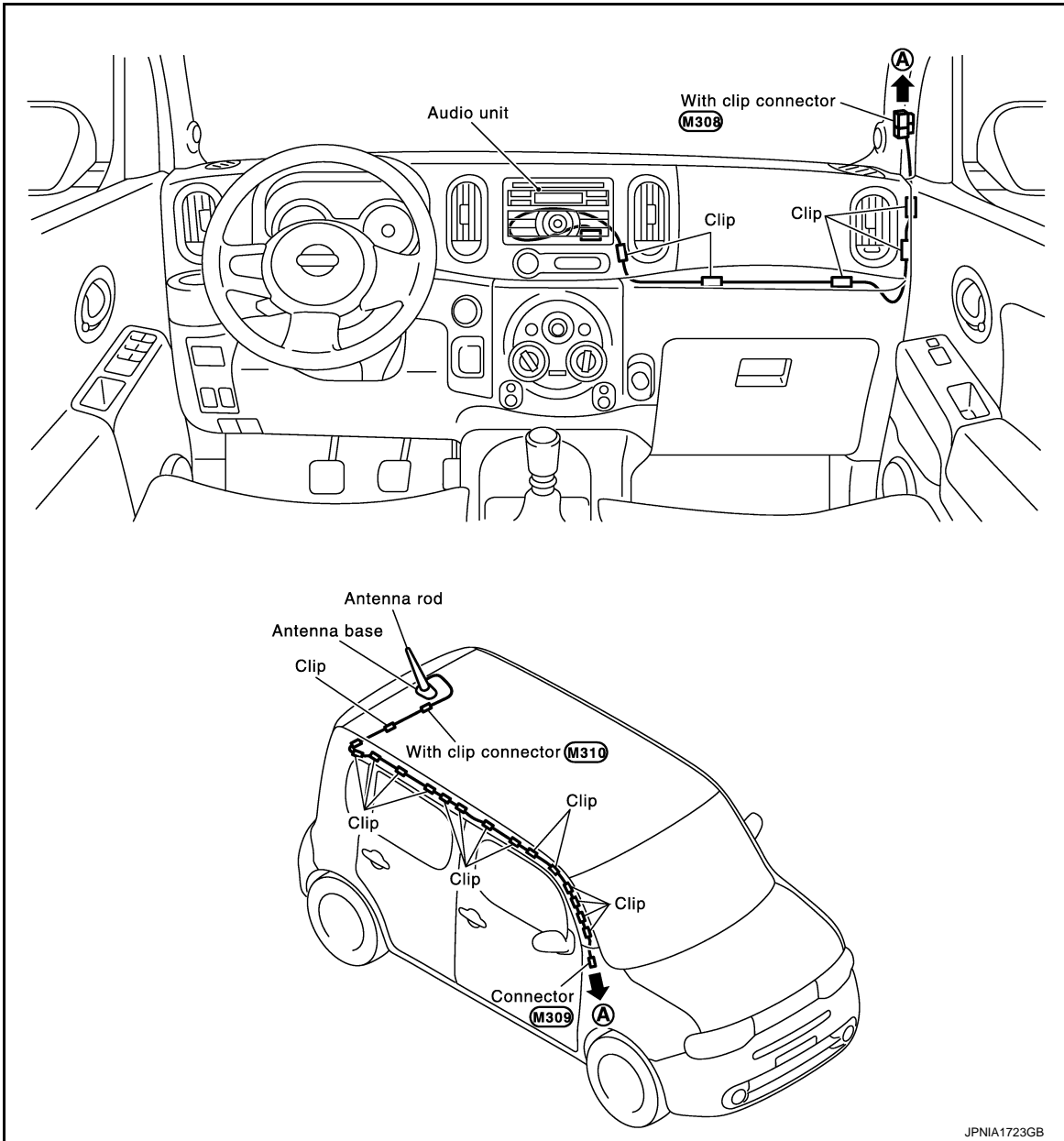
< REMOVAL AND INSTALLATION >

[AUDIO WITHOUT NAVIGATION]

ANTENNA FEEDER

Harness Layout

INFOID:000000006506239



JPNIA1723GB

PRECAUTION

PRECAUTIONS

Precaution for Supplemental Restraint System (SRS) "AIR BAG" and "SEAT BELT PRE-TENSIONER"

INFOID:000000006917512

The Supplemental Restraint System such as "AIR BAG" and "SEAT BELT PRE-TENSIONER", used along with a front seat belt, helps to reduce the risk or severity of injury to the driver and front passenger for certain types of collision. This system includes seat belt switch inputs and dual stage front air bag modules. The SRS system uses the seat belt switches to determine the front air bag deployment, and may only deploy one front air bag, depending on the severity of a collision and whether the front occupants are belted or unbelted. Information necessary to service the system safely is included in the "SRS AIR BAG" and "SEAT BELT" of this Service Manual.

WARNING:

Always observe the following items for preventing accidental activation.

- To avoid rendering the SRS inoperative, which could increase the risk of personal injury or death in the event of a collision that would result in air bag inflation, all maintenance must be performed by an authorized NISSAN/INFINITI dealer.
- Improper maintenance, including incorrect removal and installation of the SRS, can lead to personal injury caused by unintentional activation of the system. For removal of Spiral Cable and Air Bag Module, see "SRS AIR BAG".
- Never use electrical test equipment on any circuit related to the SRS unless instructed to in this Service Manual. SRS wiring harnesses can be identified by yellow and/or orange harnesses or harness connectors.

PRECAUTIONS WHEN USING POWER TOOLS (AIR OR ELECTRIC) AND HAMMERS

WARNING:

Always observe the following items for preventing accidental activation.

- When working near the Air Bag Diagnosis Sensor Unit or other Air Bag System sensors with the ignition ON or engine running, never use air or electric power tools or strike near the sensor(s) with a hammer. Heavy vibration could activate the sensor(s) and deploy the air bag(s), possibly causing serious injury.
- When using air or electric power tools or hammers, always switch the ignition OFF, disconnect the battery, and wait at least 3 minutes before performing any service.

Precaution for Trouble Diagnosis

INFOID:000000006917513

AV COMMUNICATION SYSTEM

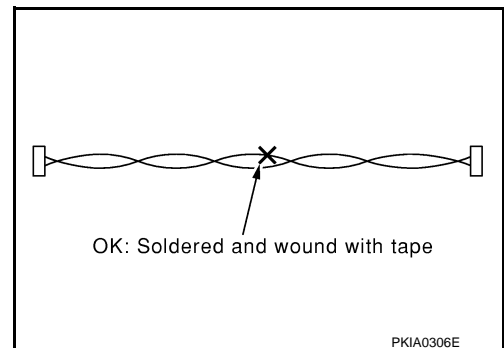
- Do not apply voltage of 7.0 V or higher to the measurement terminals.
- Use the tester with its open terminal voltage being 7.0 V or less.
- Be sure to turn ignition switch OFF and disconnect the battery cable from the negative terminal before checking the circuit.

Precaution for Harness Repair

INFOID:000000006917514

AV COMMUNICATION SYSTEM

- Solder the repaired parts, and wrap with tape. [Frays of twisted line must be within 110 mm (4.33 in).]

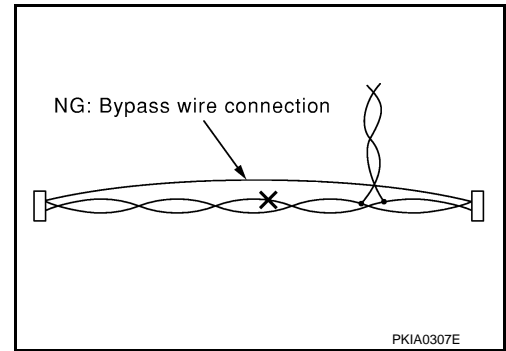


PRECAUTIONS

< PRECAUTION >

[AUDIO WITH NAVIGATION]

- Do not perform bypass wire connections for the repair parts. (The spliced wire will become separated and the characteristics of twisted line will be lost.)

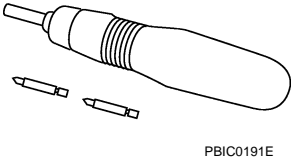


PREPARATION

PREPARATION

Commercial Service Tools

INFOID:000000006917515

Tool name	Description
Power tool 	Loosening screws

A
B
C
D
E
F
G
H
I
J
K
L
M
AV
O
P

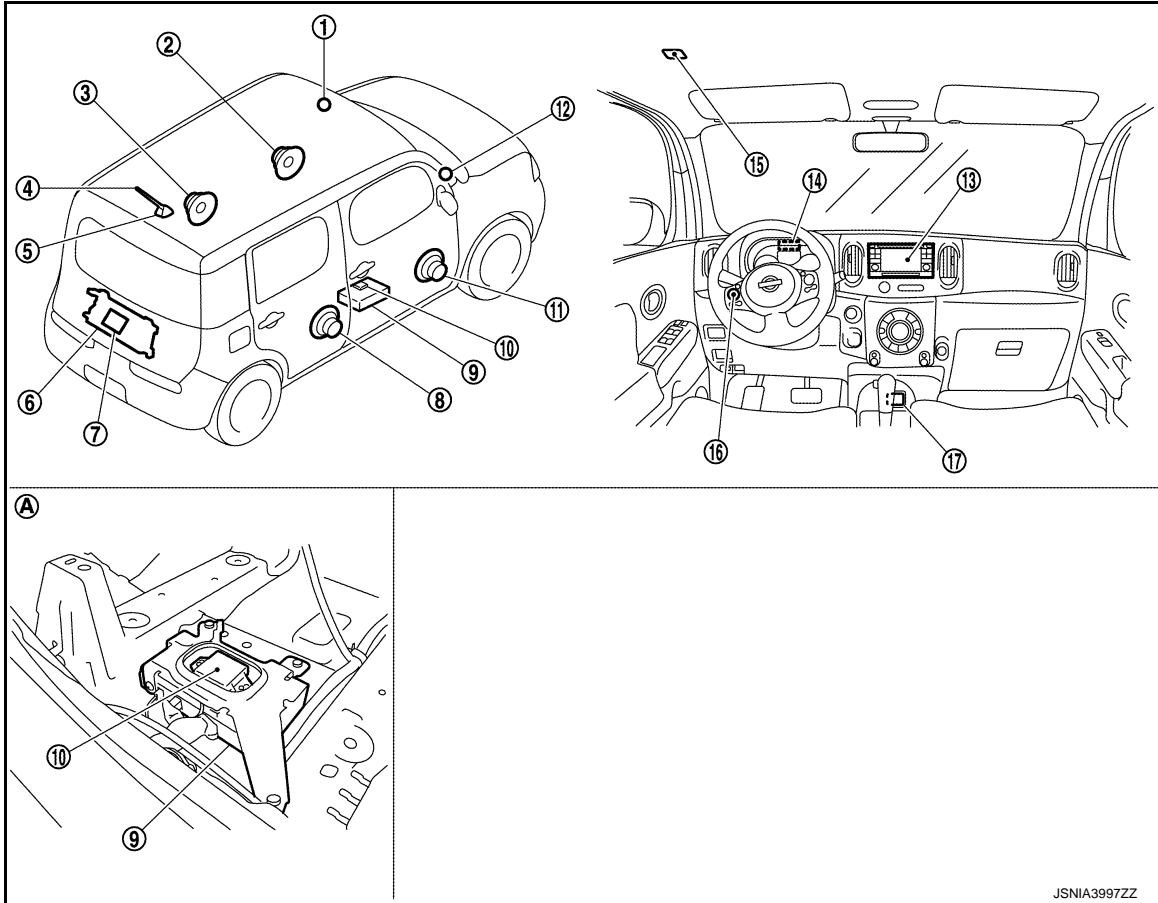
AV

SYSTEM DESCRIPTION

COMPONENT PARTS

Component Parts Location

INFOID:000000006917516



JSNIA3997ZZ

- | | | |
|-----------------------------------|--|-------------------------|
| 1. Tweeter LH | 2. Front door speaker LH | 3. Rear door speaker LH |
| 4. Antenna rod | 5. Antenna base (antenna amp. and satellite radio antenna) | 6. Woofer |
| 7. Rear view camera | 8. Rear door speaker RH | 9. TEL adapter unit |
| 10. TEL antenna | 11. Front door speaker RH | 12. Tweeter RH |
| 13. NAVI control unit | 14. GPS antenna | 15. Microphone |
| 16. Steering switch | 17. USB connector and AUX jack | |
| A. Floor spacer removed condition | | |

COMPONENT PARTS

< SYSTEM DESCRIPTION >

[AUDIO WITH NAVIGATION]

Component Description

INFOID:000000006917517

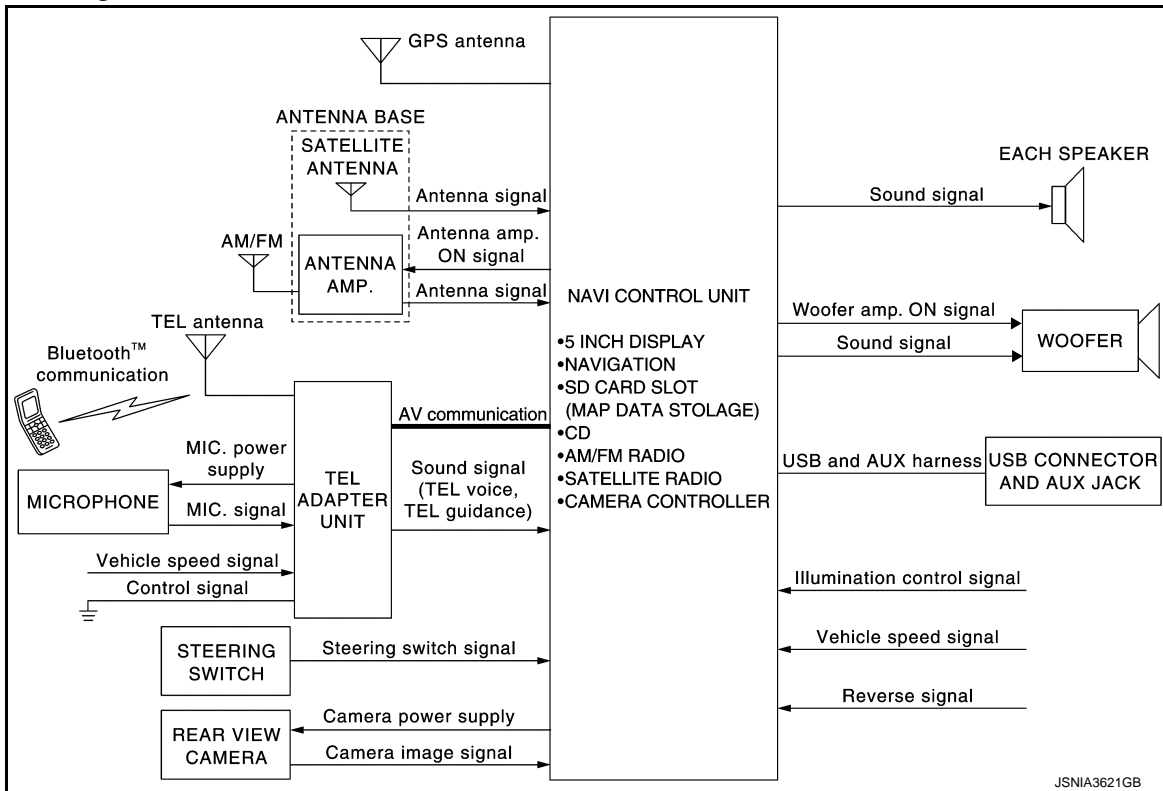
Part name	Description
NAVI control unit	<ul style="list-style-type: none"> Operational switch of navigation system and audio system are integrated. Includes the audio, navigation, satellite radio, rear view monitor, USB connection and AUX connection functions. Map data can be loaded from the SD-card inserted in the built-in SD-card slot. Sound signals are output to each speaker. It inputs the illumination signals that are required for the display dimming control. It inputs the signals for driving status recognition (vehicle speed, reverse and parking brake). Touch panel function can be operated for each system by touching a display directly. It supplies power to rear view camera. Camera image signal is input from rear view camera.
Map SD-card	A collection of Map data.
Front door speaker	<ul style="list-style-type: none"> Receives sound signal from NAVI control unit. Outputs high, mid and low range sounds.
Tweeter	<ul style="list-style-type: none"> Receives sound signal from NAVI control unit. Outputs high range sounds.
Rear door speaker	<ul style="list-style-type: none"> Receives sound signal from NAVI control unit. Outputs high, mid and low range sounds.
Woofer	<ul style="list-style-type: none"> Receives woofer amp. ON signal and sound signal from NAVI control unit. Outputs low range sounds.
Steering switch	<ul style="list-style-type: none"> Operations for audio and hands-free phone are possible. Steering switch signal (operation signal) is output to NAVI control unit.
TEL adapter unit	<ul style="list-style-type: none"> Receives the TEL voice signal from TEL antenna and outputs it to the NAVI control unit. It is connected with the NAVI control unit via AV communication and controlled with the NAVI control unit.
TEL antenna	<ul style="list-style-type: none"> Receives the TEL voice signal and outputs it to the TEL adapter unit. TEL antenna is unified with a TEL adapter unit.
Microphone	<ul style="list-style-type: none"> Used for hands-free phone operation. Microphone signal is transmitted to TEL adapter unit. Power (microphone VCC) is supplied from TEL adapter unit.
GPS antenna	GPS signal is received and transmitted to NAVI control unit.
Antenna base	<p>A radio antenna base integrated with radio antenna amp. and satellite radio antenna is adopted.</p> <p>ANTENNA AMP.</p> <ul style="list-style-type: none"> Radio signal received by rod antenna is amplified and transmitted to NAVI control unit. Power (antenna amp. ON signal) is supplied from NAVI control unit. <p>SATELLITE RADIO ANTENNA</p> <ul style="list-style-type: none"> Receives satellite radio waves and outputs it to NAVI control unit.
Rear view camera	<ul style="list-style-type: none"> Camera power supply is input from NAVI control unit. The image of vehicle rear view is transmitted to NAVI control unit.
USB connector and AUX jack	<ul style="list-style-type: none"> Sound signal of auxiliary input is transmitted to NAVI control unit. Sound signal of USB input is transmitted to NAVI control unit.

A
B
C
D
E
F
G
H
I
J
K
L
M
AV
O
P

SYSTEM

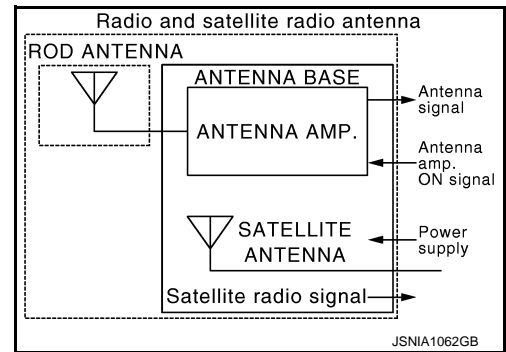
System Diagram

INFOID:000000006917518



NOTE:

An antenna base integrated with radio antenna amp. and satellite radio antenna is adopted.



System Description

INFOID:000000006931100

Refer to Owner's Manual for navigation and audio system operating instructions.

Audio function and display are built into NAVI control unit.

This navigation has the following functions.

- Map data on SD-card.
- Full support for playback of music from iPod® and USB device.
- High resolution color 5 inch display with touch panel function.
- FM/AM twin digital tuner.
- USB mass storage connection.
- Satellite radio.
- Hands-free phone system.

iPod® is a trademark of Apple inc., registered in the U.S. and other countries.

NAVIGATION SYSTEM FUNCTION

Description

- The navigation system can be operated by control panel of the NAVI control unit and display (touch panel) of the NAVI control unit.

SYSTEM

[AUDIO WITH NAVIGATION]

< SYSTEM DESCRIPTION >

- Guide sound during the operation of the navigation system is output from NAVI control unit to front speaker.
- NAVI control unit calculates the vehicle location based on the signals from GYRO (angle speed sensor), vehicle sensor, and GPS satellite, as well as the map data from map SD-card. It is displayed on display of the NAVI control unit.

POSITION DETECTION PRINCIPLE

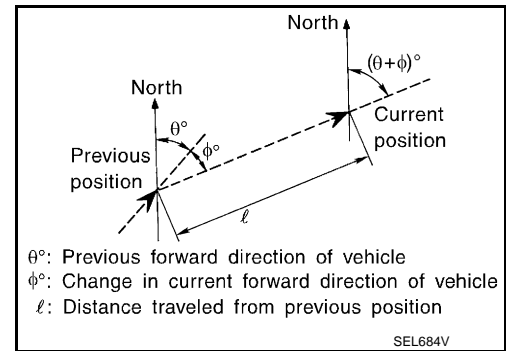
The navigation system periodically calculates the vehicle's current position according to the following three signals:

- Travel distance of the vehicle as determined by the vehicle speed sensor
- Turning angle of the vehicle as determined by the gyroscope (angular velocity sensor)
- Direction of vehicle travel as determined by the GPS antenna (GPS information)

The current position of the vehicle is then identified by comparing the calculated vehicle position with map data read from the map SD-card (map-matching), and indicated on the screen as a vehicle mark. More accurate data is judged and used by comparing vehicle position detection results found by the GPS with the result by map-matching.

The current vehicle position will be calculated by detecting the distance the vehicle moved from the previous calculation point and its direction.

- Travel distance
Travel distance calculations are based on the vehicle speed sensor input signal. Therefore, the calculation may become incorrect as the tires wear down. To prevent this, an automatic distance correction function has been adopted.
- Travel direction
Change in the travel direction of the vehicle is calculated by a gyroscope (angular velocity sensor) and a GPS antenna (GPS information). They have both advantages and disadvantages.



Type	Advantage	Disadvantage
Gyroscope (angular velocity sensor)	Can detect the vehicle's turning angle quite accurately.	Direction errors may accumulate when vehicle is driven for long distances without stopping.
GPS antenna (GPS information)	Can detect the vehicle's travel direction (North/South/East/West).	Correct direction cannot be detected when vehicle speed is low.

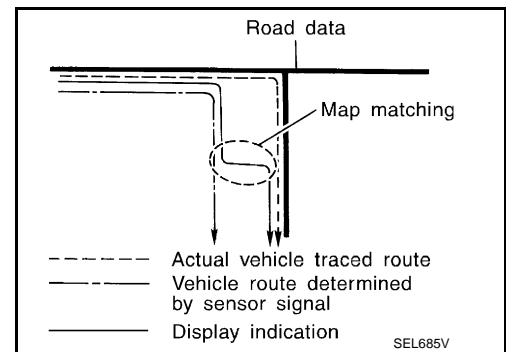
More accurate traveling direction is detected because priorities are set for the signals from these two devices according to the situation.

MAP-MATCHING

Map-matching compares a current location detected by the method in the "Location Detection Principle" with a road map data from map SD-card.

NOTE:

The road map data is based on data stored in the map SD-card.



The vehicle position may not be corrected under the following circumstances and after driving for a certain time when GPS information is difficult to receive. In this case, the vehicle mark on the display must be corrected manually.

SYSTEM

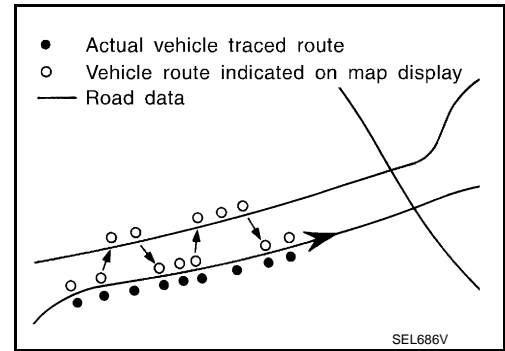
< SYSTEM DESCRIPTION >

[AUDIO WITH NAVIGATION]

- In map-matching, alternative routes to reach the destination will be shown and prioritized, after the road on which the vehicle is currently driven has been judged and the vehicle mark has been repositioned.

Alternative routes will be shown in different order of priority, and the incorrect road can be avoided if there is an error in distance and/or direction.

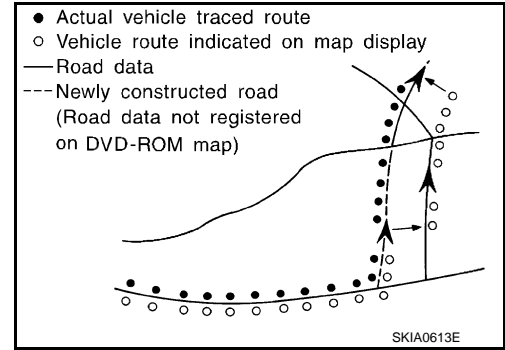
They are of the same priority if two roads are running in parallel. Therefore, the vehicle mark may appear on either of them alternately, depending on maneuvering of the steering wheel and configuration of the road.



- Map-matching does not function correctly when a road on which the vehicle is driving is new and not recorded in the map SD-card, or when road pattern stored in the map data and the actual road pattern are different due to repair.

The map-matching function may find another road and position the vehicle mark on it when driving on a road not present in the map. Then, the vehicle mark may change to it when the correct road is detected.

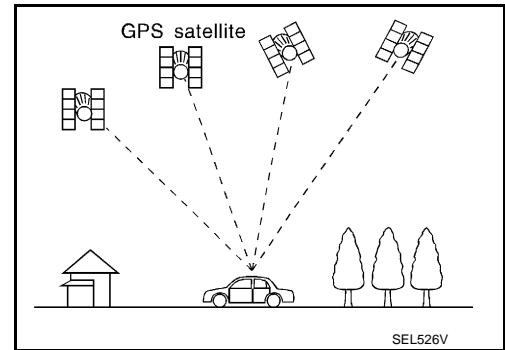
- Effective range for comparing the vehicle position and travel direction calculated by the distance and direction with the road data read from the map SD-card is limited. Therefore, correction by map-matching is not possible when there is an excessive gap between current vehicle position and the position on the map.



GPS (Global Positioning System)

GPS (Global Positioning System) is developed for and is controlled by the US Department of Defense. The system utilizes GPS satellites (NAVSTAR), transmitting out radio waves while flying on an orbit around the earth at an altitude of approximately 21,000 km (13,049 mile).

The receiver calculates the travel position in three dimensions (latitude/longitude/altitude) according to the time lag of the radio waves that four or more GPS satellites transmit (three-dimensional positioning). The GPS receiver calculates the travel position in two dimensions (latitude/longitude) with the previous altitude data if the GPS receiver receives only three radio waves (two-dimensional positioning). GPS position correction is not performed while stopping the vehicle.



Accuracy of the GPS will deteriorate under the following conditions:

- In two-dimensional positioning, GPS accuracy will deteriorate when altitude of the vehicle position changes.
- The position of GPS satellite affects GPS detection precision. The position detection may not be precisely performed.
- The position detection is not performed if GPS receiver does not receive radio waves from GPS satellites. (Inside a tunnel, parking in a building, under an elevated highway etc.) GPS receiver may not receive radio waves from GPS satellites if any object is placed on the GPS antenna.

NOTE:

- The detection result has an error of approximately 10 m (32.81 ft) even with a high-precision three dimensional positioning.
- There may be cases when the accuracy is lowered and radio waves are stopped intentionally because the GPS satellite signal is controlled by the US trace control center.

SATELLITE RADIO FUNCTION

- Satellite radio function is built into NAVI control unit.
- Sound signal (satellite radio) is received by satellite radio antenna and transmitted to NAVI control unit. NAVI control unit outputs sound signal to each speaker and woofer.

AUXILIARY INPUT FUNCTION

- Sound can be output from an external device by connecting a device with USB connector and AUX jack.

- AUX sound signals are transmitted to each speaker and woofer via NAVI control unit.

REAR VIEW MONITOR FUNCTION

Camera Image Operation Principle

- The NAVI control unit supplies power to the rear view camera when receiving a reverse signal.
- The rear view camera transmits camera images to the NAVI control unit when power is supplied from the NAVI control unit.
- The NAVI control unit combines a warning message and fixed guide lines with an image received from the rear view camera to display a rear view camera image on the screen.

USB CONNECTION FUNCTION

- iPod® or music files in USB memory can be played.
- Sound signals are transmitted from USB connector and AUX jack to the NAVI control unit and output to each speaker and woofer.
- iPod® is recharged when connected to USB connector and AUX jack.

iPod® is a trademark of Apple inc., registered in the U.S. and other countries.

NOTE:

Use the enclosed USB harness when connecting iPod® to USB connector and AUX jack.

SPEED SENSITIVE VOLUME SYSTEM

- Volume level of this system gone up and down automatically in proportion to the vehicle speed.
- The control level can be selected by the customer.

HANDS-FREE PHONE SYSTEM

- TEL adapter unit is controlled with AV communication from NAVI control unit.
- The connection between cellular phone and TEL adapter unit is performed with Bluetooth™ communication.
- The voice guidance signal is input from the TEL adapter unit to the NAVI control unit and output to the front speaker when operating the cellular phone.
- TEL adapter unit has the on board self-diagnosis function. Refer to [AV-85. "Diagnosis Description"](#).

When A Call Is Originated

- Spoken voice sound output from the microphone (microphone signal) is input to TEL adapter unit.
- TEL adapter unit outputs to cellular phone with Bluetooth™ communication as a TEL voice signal.
- Voice sound is then heard at the other party.

When Receiving A Call

- Voice sound is input to own cellular phone from the other party.
- TEL voice signal is input to TEL adapter unit by establishing Bluetooth™ communication from cellular phone, and the signal is output to front speaker.

A
B
C
D
E
F
G
H
I
J
K
L
M
O
P

AV

DIAGNOSIS SYSTEM (NAVI CONTROL UNIT)

< SYSTEM DESCRIPTION >

[AUDIO WITH NAVIGATION]

DIAGNOSIS SYSTEM (NAVI CONTROL UNIT)

On Board Diagnosis Function

INFOID:000000006917520

On-Board Diagnosis Item

- On-board diagnosis is performed in service test mode.
- On-board diagnosis checks if the system operates normally.

Service test mode

Mode	Item	Content	
Service version	—	The version data of the parts is shown displayed.	
Service radio	FM monitor	The Change Mediator monitors the dynamic values of the current tuner. If the band is switched within the radio monitor context, the active monitor is switched as well.	
	AM monitor		
	XM monitor	The version data is displayed.	
	XM functions	<ul style="list-style-type: none">• Clear XM Chipset NVM• Reset all XM settings• XM CBM debug mode ON/OFF• External Diag mode ON/OFF The current system status is displayed.	
Service configuration	Touch Display Calibration	—	The function allows connection of the position detection accuracy of the touch panel.

DIAGNOSIS SYSTEM (NAVI CONTROL UNIT)

< SYSTEM DESCRIPTION >

[AUDIO WITH NAVIGATION]

	Mode	Item	Content
Service system status	Running system status	<ul style="list-style-type: none"> • SD card slot access • Power Supply • Speed Signal • Direction Signal • Illumination Signal • GPS Antenna • BTHFU Status • Radio Antenna • USB Device • iPod® firmware version • Steering wheel key 	The current system status is displayed.
	System history	<ul style="list-style-type: none"> • SD-card Slot - Sub-Unit Connection Malfunction • Programming Error • Radio-Antenna Circuit Malfunction • FM-Antenna 1 Connection Malfunction • GPS Antenna Circuit Malfunction • CD-Drive Mechanical Malfunction • CD Read Malfunction • Power Supply voltage: Lower Limit Exceeded • Power Supply voltage: Upper Limit Exceeded • Reduced system Functionality due to over temperature • Display switched OFF due to over temperature • SD card removed without being de-mounted • Codeplug missing 	The history of the system status is reported in the report memory, displayed.
	Speaker test 100 Hz	—	This activates a sequence of test tone outputs to the four speaker lines one after the other for 1 second. The frequency can be chosen by user selection (100 Hz and 4 kHz).
	Speaker test 4 kHz	—	
	Display test	—	This provides a test sequence where test displays (plain colored display: e.g. white, black, red, blue, green) are shown one after the other. The respective color is shown for an indicated period of time (parameter). After the display test, the design of the display previously available is stored. While the screen shows a plain colored display, a pixel malfunction may be detected.

A
B
C
D
E
F
G
H
I
J
K
L
M
O
P

AV

DIAGNOSIS SYSTEM (NAVI CONTROL UNIT)

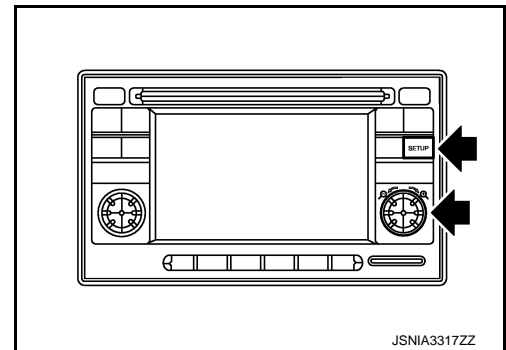
< SYSTEM DESCRIPTION >

[AUDIO WITH NAVIGATION]

Mode	Item	Content
Service system configuration	<ul style="list-style-type: none">• 2/4 pulse speed• Clock ON/OFF• Camera guidelines• Equalizing settings• RF tuning• Antenna type• Sound system• Sub Out• Steering wheel	The device is configured by a connected hardware circuit. The parameter is influenced.
Self test	<ul style="list-style-type: none">• SD-card Access Malfunction• Radio-Antenna Circuit Malfunction• GPS Antenna Circuit Malfunction• XM Antenna Circuit Malfunction	A system self test is executed: the result is stored into the error memory which is shown afterwards as a list of codes of the detected malfunctions.

METHOD OF STARTING

1. Start the engine.
2. Turn OFF audio.
3. While pressing the "SET UP" switch, turn the MENU dial counterclockwise 3 clicks or more first, then clockwise and counterclockwise 3 clicks or more, respectively. (After the diagnosis mode starts, the initial screen of the diagnosis mode appears.)



END ON-BOARD DIAGNOSIS

Turn OFF ignition switch.

DIAGNOSIS SYSTEM (TEL ADAPTER UNIT)

< SYSTEM DESCRIPTION >

[AUDIO WITH NAVIGATION]

DIAGNOSIS SYSTEM (TEL ADAPTER UNIT)

Description

INFOID:000000006931157

During on board diagnosis the diagnosis function of TEL adapter unit starts with the operation of the steering switch and performs the diagnosis when ignition switch ACC.

Diagnosis Description

INFOID:000000006931156

ON BOARD DIAGNOSIS ITEM

The on board diagnosis has 3 modes: the self-diagnosis mode that performs the trouble diagnosis, the speaker adaptation data deleting mode and the hands-free phone system initialization mode.

CAUTION:

- Perform the diagnosis with the vehicle stopped.
- Perform STEP2 if necessary.

STEP	MODE	Description
STEP 1	Self-diagnosis	The self-diagnosis mode performs the microphone test and the diagnosis of TEL adapter unit, TEL antenna and steering switch, and then reads out the results with the sound and indicates them on the audio screen.
STEP 2	Hands-free phone system initialization	Hands-free phone system initialization mode can perform the initialization of hands-free phone system.
	Speaker adaptation data deleting	The speaker adaptation data deleting mode can delete the speaker adaptation data.

SELF-DIAGNOSIS RESULTS

Self-diagnosis mode reads out the self-diagnosis results and indicates DTC on the audio screen.

NOTE:

- Error count is read out simultaneously when reading out the DTC name.
- The errors are read out continuously when some errors occur at the same time. The DTC displays are combined and displayed. For example, DTC 01100 is displayed when DTC 01000 and DTC 00100 are indicated at the same time.

Self-diagnosis results

DTC (Audio screen)	Failure message	Possible causes
DTC 10000	Internal failure	TEL adapter unit
DTC 01000	Bluetooth antenna open	TEL antenna
DTC 00100	Bluetooth antenna shorted	
DTC 00010	Button ladder A is stuck	Steering switch
DTC 00001	Button ladder B is stuck	
DTC 00000	There are no failure records to report	—

The Details of Error Count

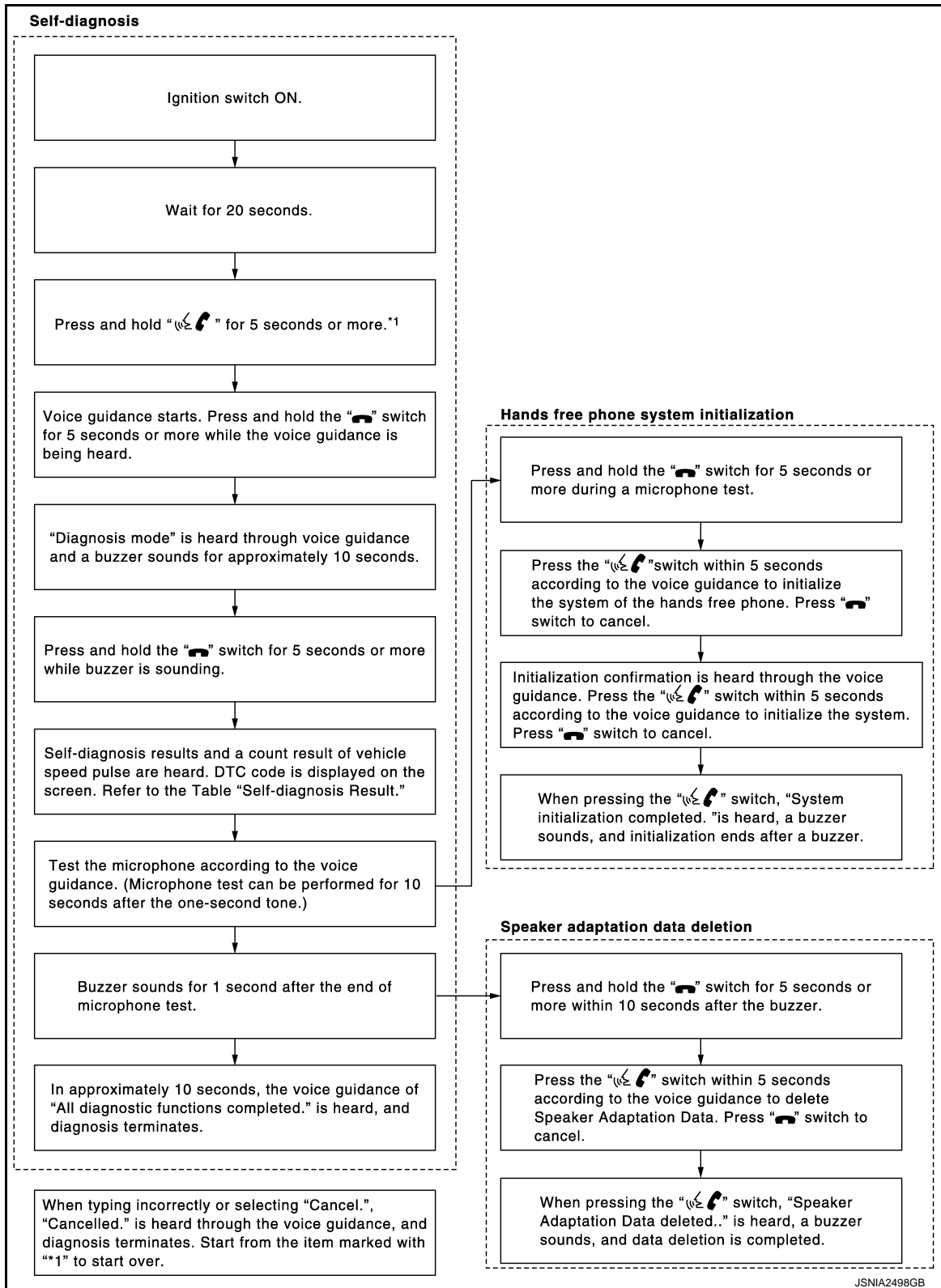
The error count guides "0" when the error occurs. The next time it counts up "1" if it is normal with the ignition switch ON. It continues the count up unless the initialization of hands-free phone system is performed.

DIAGNOSIS SYSTEM (TEL ADAPTER UNIT)

< SYSTEM DESCRIPTION >

[AUDIO WITH NAVIGATION]

FLOW CHART OF TROUBLE DIAGNOSIS



NAVI CONTROL UNIT

< ECU DIAGNOSIS INFORMATION >

[AUDIO WITH NAVIGATION]

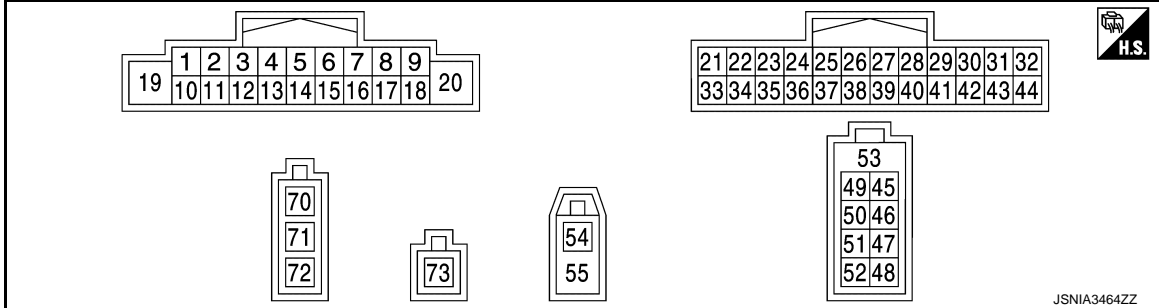
ECU DIAGNOSIS INFORMATION

NAVI CONTROL UNIT

Reference Value

INFOID:000000006917523

TERMINAL LAYOUT



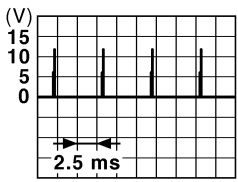
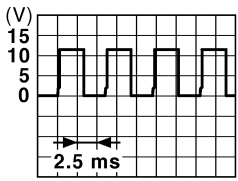
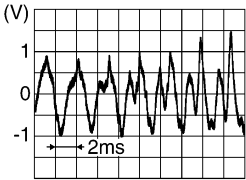
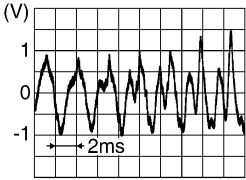

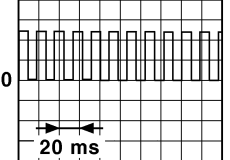
PHYSICAL VALUES

Terminal (Wire color)		Description		Condition	Reference value (Approx.)	
+	-	Signal name	Input/ Output			
1 (Y/B)	Ground	Woofer amp. ON signal	Output	Ignition switch ON	— 12.0 V	
2 (W)	3 (P)	Sound signal front speaker LH	Output	Ignition switch ON	Sound output. SKIB3609E	
4 (V)	5 (R/B)	Sound signal rear speaker LH	Output	Ignition switch ON	Sound output. SKIB3609E	
6 (W/L)	15 (L/G)	Steering switch signal A	Input	Ignition switch ON	Keep pressing SOURCE switch.	0 V
					Keep pressing SEEK UP switch.	1.4 V
					Keep pressing SEEK DOWN switch.	2.5 V
					Keep pressing switch.	3.5 V
					Except for above.	5.0 V
7 (L/Y)	Ground	ACC power supply	Input	Ignition switch ACC	— Battery voltage	

NAVI CONTROL UNIT

< ECU DIAGNOSIS INFORMATION >

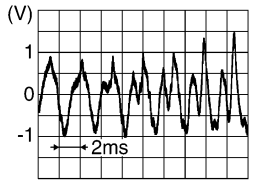

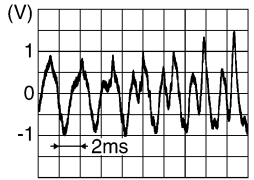
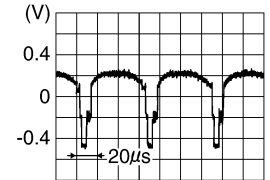
[AUDIO WITH NAVIGATION]

Terminal (Wire color)		Description		Condition	Reference value (Approx.)
+	-	Signal name	Input/ Output		
9 (W)	8 (B/R)	Illumination control signal	Input	Ignition switch ON	<ul style="list-style-type: none"> Lighting switch 1ST When meter illumination is maximum  <p style="text-align: right; font-size: small;">JPNIA1687GB</p>
					<ul style="list-style-type: none"> Lighting switch 1ST When meter illumination is step 11  <p style="text-align: right; font-size: small;">JPNIA1686GB</p>
					<ul style="list-style-type: none"> Lighting switch 1ST When meter illumination is minimum <p style="text-align: center;">0 V</p>
11 (G)	12 (R)	Sound signal front speaker RH	Output	Ignition switch ON	Sound output.  <p style="text-align: right; font-size: small;">SKIB3609E</p>
13 (LG)	14 (GR)	Sound signal rear speaker RH	Output	Ignition switch ON	Sound output.  <p style="text-align: right; font-size: small;">SKIB3609E</p>
16 (GR/R)	15 (L/G)	Steering switch signal B	Input	Ignition switch ON	Keep pressing VOL DOWN switch. 0 V
					Keep pressing VOL UP switch. 1.4 V
					Keep pressing  switch. 2.5 V
					Except for above. 5.0 V
18 (V/R)	Ground	Vehicle speed signal (8-pulse)	Input	Ignition switch ON	When vehicle speed is approx. 40 km/h (25 MPH) NOTE: The maximum voltage varies depending on the specification (destination unit).  <p style="text-align: right; font-size: small;">JSNIA0012GB</p>

NAVI CONTROL UNIT

< ECU DIAGNOSIS INFORMATION >

[AUDIO WITH NAVIGATION]

Terminal (Wire color)		Description		Condition		Reference value (Approx.)
+	-	Signal name	Input/ Output			
19 (L)	Ground	Battery power supply	Input	Ignition switch OFF	—	Battery voltage
20 (B)	Ground	Ground	—	Ignition switch ON	—	0 V
22 (B)	Ground	EQ2	—	Ignition switch ON	—	0 V
23 (B)	Ground	EQ3	—	Ignition switch ON	—	0 V
24 (B)	Ground	EQ4	—	Ignition switch ON	—	0 V
25 (Y/R)	Ground	Reverse signal	Input	Ignition switch ON	Selector lever is in R position.	12.0 V
					Selector lever is in other than R position.	0 V
30 (P)	31 (L)	Sound signal woofer	Output	Ignition switch ON	Sound output.	 <p style="text-align: right; font-size: small;">SKIB3609E</p>
34 (BR)	35 (Y)	Sound signal (TEL voice, voice guidance)	Output	Ignition switch ON	During voice guide output with the  switch pressed.	 <p style="text-align: right; font-size: small;">SKIB3609E</p>
36 (B)	Ground	Ground	—	Ignition switch ON	—	0 V
37	—	Shield	—	—	—	—
38 (SB)	—	AV communication signal (H)	Input/ Output	—	—	—
39 (LG)	—	AV communication signal (L)	Input/ Output	—	—	—
41 (G/Y)	Ground	Camera image signal	Input	Ignition switch ON	At rear view camera image displayed	 <p style="text-align: right; font-size: small;">SKIB0827E</p>
42	—	Shield	—	—	—	—

A
B
C
D
E
F
G
H
I
J
K
L
M
AV
O
P

NAVI CONTROL UNIT

< ECU DIAGNOSIS INFORMATION >

[AUDIO WITH NAVIGATION]

Terminal (Wire color)		Description		Condition		Reference value (Approx.)
+	-	Signal name	Input/ Output			
43 (G/O)	Ground	Camera power supply	Output	Ignition switch ON	At rear view camera image is displayed.	6.0 V
					Except for above.	0 V
44 (G/R)	Ground	Camera ground	—	Ignition switch ON	—	0 V
45 (G)	—	USB ground	—	—	—	—
46 (R)	—	USB D- signal	Input/ Output	—	—	—
47 (L)	—	USB D+ signal	Input/ Output	—	—	—
48 (W)	—	V BUS signal	Output	—	—	—
49 (W)	—	AUX sound signal LH	Input	—	—	—
50 (G)	—	AUX sound signal RH	Input	—	—	—
51 (R)	—	AUX sound signal ground	—	—	—	—
53	—	Shield	—	—	—	—
54	Ground	GPS antenna signal	Input	ON	Not connected to GPS an- tenna connector.	5.0 V
55	—	Shield	—	—	—	—
70	Ground	Antenna amp. ON signal	Output	Ignition switch ON	—	12.0 V
71	—	Antenna signal	Input	—	—	—
73	—	Satellite radio antenna sig- nal	Input	—	—	—

TEL ADAPTER UNIT

< ECU DIAGNOSIS INFORMATION >

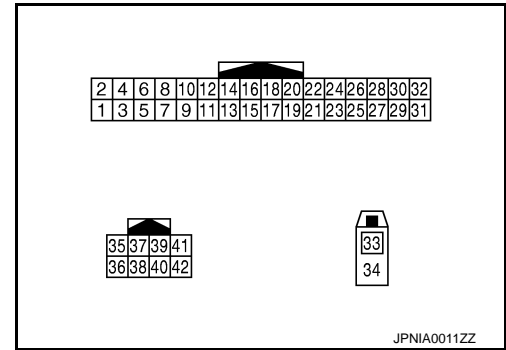
[AUDIO WITH NAVIGATION]

TEL ADAPTER UNIT

Reference Value

INFOID:000000006917524

TERMINAL LAYOUT



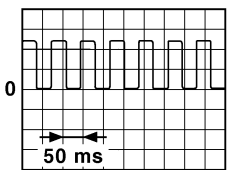
PHYSICAL VALUES

Terminal (Wire color)		Description		Condition		Reference value (Approx.)
+	-	Signal name	Input/ Output			
1 (R)	Ground	Battery power supply	Input	Ignition switch OFF	—	Battery voltage
2 (L)	Ground	ACC power supply	Input	Ignition switch ACC	—	Battery voltage
3 (LG)	Ground	Ignition signal	Input	Ignition switch ON	—	Battery voltage
4 (B)	Ground	Ground	—	Ignition switch ON	—	0 V
7 (L)	8	Microphone signal	Input	Ignition switch ON	Give a voice.	
9 (BR)	10 (Y)	Sound signal (TEL voice, voice guid- ance)	Output	Ignition switch ON	During voice guide output with the switch pressed.	
20 (B)	Ground	Control signal	—	Ignition switch ON	—	0 V
21 (B)	Ground	Control signal	—	Ignition switch ON	—	0 V

TEL ADAPTER UNIT

< ECU DIAGNOSIS INFORMATION >

[AUDIO WITH NAVIGATION]

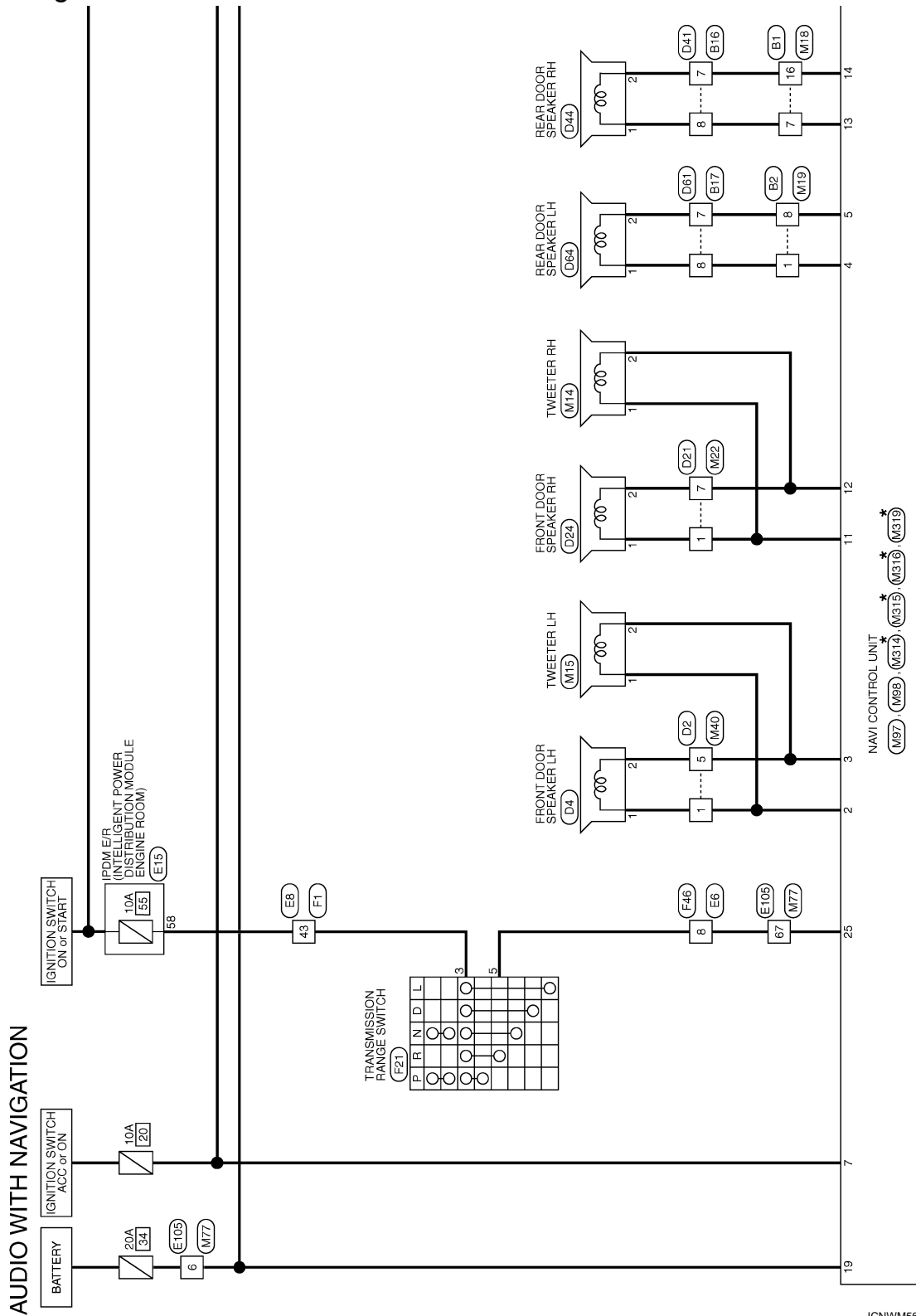
Terminal (Wire color)		Description		Condition		Reference value (Approx.)
+	-	Signal name	Input/ Output			
24 (B)	Ground	Control signal	—	Ignition switch ON	—	0 V
27 (B)	Ground	Control signal	—	Ignition switch ON	—	0 V
28 (O)	Ground	Vehicle speed signal (2-pulse)	Input	Ignition switch ON	When vehicle speed is ap- prox. 40 km/h (25 MPH)	<p>NOTE: The maximum voltage varies de- pending on the specification (destination unit).</p>  <p style="text-align: right; font-size: small;">JSNIA0015GB</p>
29 (R)	Ground	Microphone power supply	Output	Ignition switch ON	—	5.0 V
33	—	TEL antenna signal	Input	—	Not connected to TEL an- tenna connector.	5.0 V
34	—	Shield	—	—	—	—
35 (SB)	—	AV communication signal (H)	Input/ Output	—	—	—
36 (LG)	—	AV communication signal (L)	Input/ Output	—	—	—
39 (Y/R)	—	Data line	—	—	—	—
40 (Y/R)	—	Data line	—	—	—	—
41 (SB)	—	Data line	—	—	—	—
42 (SB)	—	Data line	—	—	—	—

WIRING DIAGRAM

AUDIO WITH NAVIGATION

Wiring Diagram

INFOID:000000006917525



*: This connector is not shown in "Harness Layout".

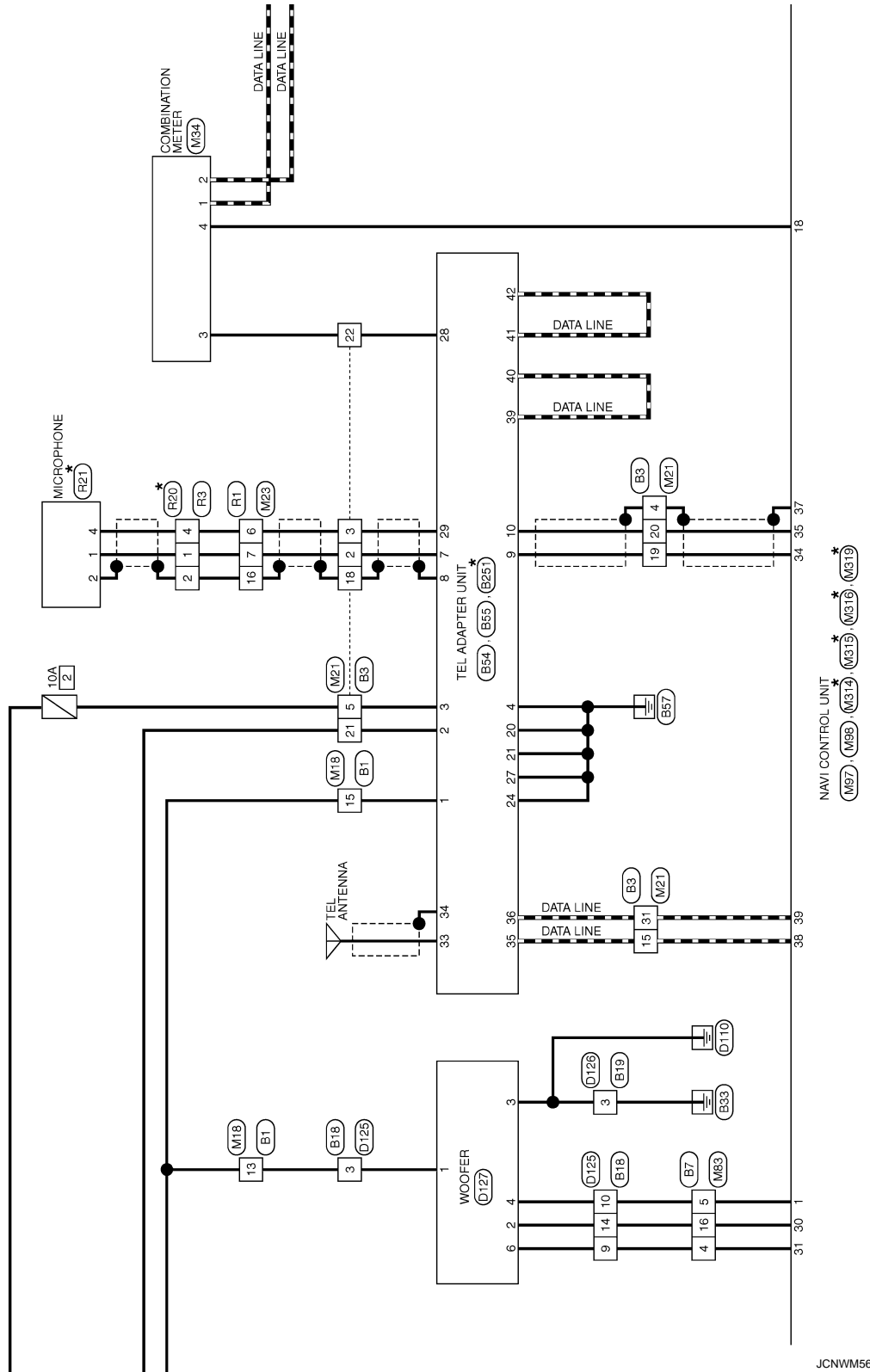
A
B
C
D
E
F
G
H
I
J
K
L
M
N
O
P

AV

AUDIO WITH NAVIGATION

< WIRING DIAGRAM >

[AUDIO WITH NAVIGATION]



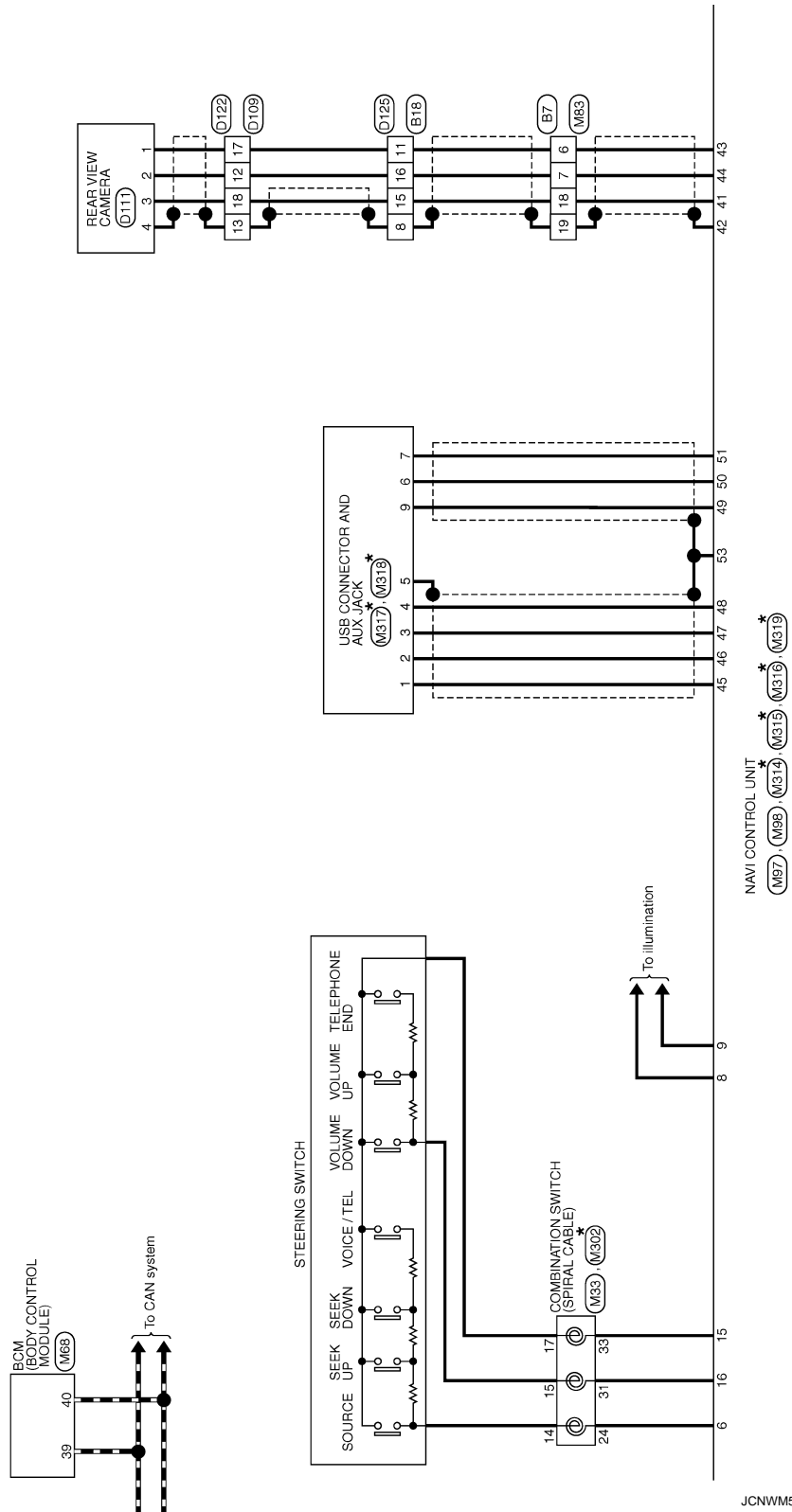
*: This connector is not shown in "Harness Layout".

JCNWM5643GB

AUDIO WITH NAVIGATION

< WIRING DIAGRAM >

[AUDIO WITH NAVIGATION]



JCNWM5644GB

*: This connector is not shown in "Harness Layout".

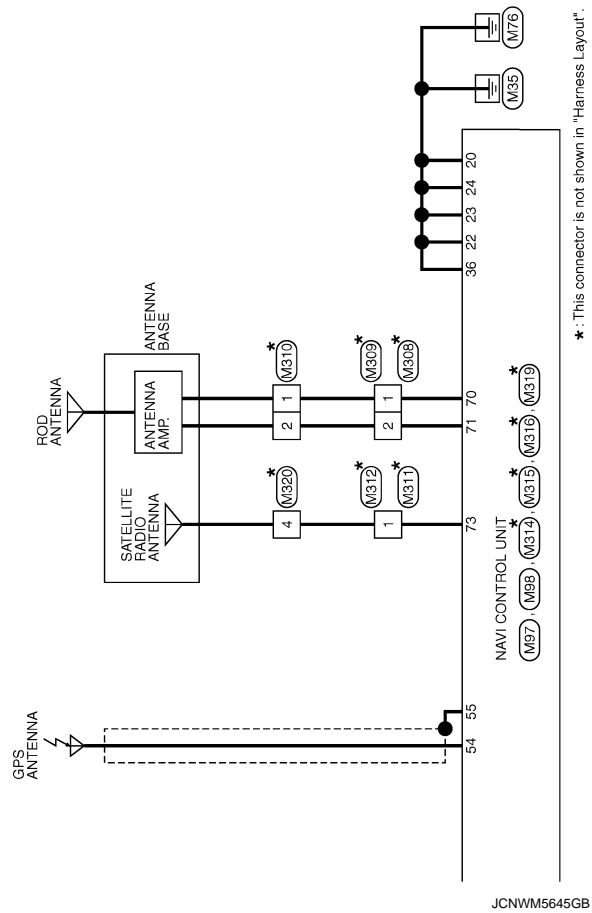
A
B
C
D
E
F
G
H
I
J
K
L
M
N
O
P

AV

AUDIO WITH NAVIGATION

< WIRING DIAGRAM >

[AUDIO WITH NAVIGATION]



AUDIO WITH NAVIGATION

Connector No.	B1
Connector Name	WIRE TO WIRE
Connector Type	NS16MW-CS



1	2	3	4	5	6	7		
8	9	10	11	12	13	14	15	16

Terminal No.	Color of Wire	Signal Name [Specification]
1	G	-
3	V	-
4	L	-
5	Y	-
6	W	-
7	LG	-
8	GR	-
9	SB	-
10	W	-
11	G	-
12	V	-
13	BR	-
15	R	-
16	GR	-

Connector No.	B2
Connector Name	WIRE TO WIRE
Connector Type	NS16MW-CS



1	2	3	4	5	6	7		
8	9	10	11	12	13	14	15	16

Terminal No.	Color of Wire	Signal Name [Specification]
1	V	-
2	W	-
3	O	-
5	O	-
6	R	-
7	L	-
8	L	-
9	G	-

10	V	-
11	P	-
12	LG	-
14	R	-
15	Y	-
16	B	-

Connector No.	B3
Connector Name	WIRE TO WIRE
Connector Type	TH32MW-NH



1	2	3	4	5	6	7	8	9	10	11	12	13	14	15	16
17	18	19	20	21	22	23	24	25	26	27	28	29	30	31	32

Terminal No.	Color of Wire	Signal Name [Specification]
1	SB	-
2	L	-
3	R	-
4	SHIELD	-
5	LG	-
6	SB	-
7	P	-
14	G	-
15	SB	-
16	SB	-
17	LG	-
18	SHIELD	-
19	BR	-
20	Y	-
21	L	-
22	O	-
23	GR	-
24	L	-
30	R	-
31	LG	-
32	LG	-

Connector No.	B7
Connector Name	WIRE TO WIRE
Connector Type	TH24MW-NH



1	2	3	4	5	6	7	8	9	10	11	12
13	14	15	16	17	18	19	20	21	22	23	24

Terminal No.	Color of Wire	Signal Name [Specification]
4	R	-
5	Y	-
6	G	-
7	L	-
11	O	-
12	W	-
16	BR	-
18	Y	-
19	SHIELD	-
24	R	-

Connector No.	B16
Connector Name	WIRE TO WIRE
Connector Type	NS10FW-CS



4	3	2	1		
10	9	8	7	6	5

Terminal No.	Color of Wire	Signal Name [Specification]
1	V	-
4	L	-
5	G	-
7	GR	-
8	LG	-
9	W	-
10	Y	-

Connector No.	B17
Connector Name	WIRE TO WIRE
Connector Type	NS10FW-CS



4	3	2	1		
10	9	8	7	6	5

Terminal No.	Color of Wire	Signal Name [Specification]
1	V	-
4	L	-
5	G	-
7	L	-
8	V	-
9	R	-
10	O	-

A
B
C
D
E
F
G
H
I
J
K
L
M
AV
O
P

AUDIO WITH NAVIGATION

Connector No.	B18
Connector Name	WIRE TO WIRE
Connector Type	NH10MW-CS10



1	2	3	4	5	6
7	8	9	10	11	12
13	14	15	16	17	18
19	20				

Terminal No.	Color of Wire	Signal Name [Specification]
1	V	-
3	BR	-
5	R	-
6	P	-
7	B	- [With Intelligent Key]
7	G	- [Without Intelligent Key]
8	SHIELD	-
9	R	-
10	Y	-
11	G	-
12	W	-
13	O	-
14	BR	-
15	Y	-
16	L	-
17	R	-
18	B	-
20	LG	-

Connector No.	B19
Connector Name	WIRE TO WIRE
Connector Type	MO2MMW-LC



1	2
3	4

Terminal No.	Color of Wire	Signal Name [Specification]
1	R	-
3	B	-

Connector No.	B54
Connector Name	TEL ADAPTER UNIT
Connector Type	TH32FW-NH



2	4	8	10	12	14	18	20	22	24	28
1	3	7	9	11	13	17	19	21	23	27
25	26	29	30	31	32	33	34	35	36	37

Terminal No.	Color of Wire	Signal Name [Specification]
1	R	BATTERY
2	L	AGC
3	LG	IGNITION
4	B	GND
7	L	MICROPHONE SIGNAL
8	SHIELD	MICROPHONE SIGNAL GND
9	BR	SOUND SIGNAL (-)
10	Y	SOUND SIGNAL (+)
11	SB	TEL ON SIGNAL
12	W	STRG SW A
13	SB	STRG SW B
14	GR	STRG SW GND
17	GR	STRG SW A
18	P	STRG SW B
19	L	STRG SW GND
20	B	CONTROL SIGNAL
21	B	CONTROL SIGNAL
22	B	CONTROL SIGNAL
23	B	CONTROL SIGNAL
24	B	CONTROL SIGNAL
27	B	CONTROL SIGNAL
28	O	VEHICLE SPEED (2+PUL SE)
29	R	MICROPHONE VCC

Connector No.	B55
Connector Name	TEL ADAPTER UNIT
Connector Type	TH08FW-NH



35	37	39	41
36	38	40	42

Terminal No.	Color of Wire	Signal Name [Specification]
35	SB	AV COMM (H)
36	LG	AV COMM (L)
38	Y/R	-
40	Y/R	-
41	SB	-
42	SB	-

Connector No.	B251
Connector Name	TEL ADAPTER UNIT
Connector Type	GT16C-IS-HU



33	34
----	----

Terminal No.	Color of Wire	Signal Name [Specification]
33	-	TEL ANTENNA SIGNAL
34	-	SHIELD

Connector No.	D2
Connector Name	WIRE TO WIRE
Connector Type	NS10FW-CS



4	3	2	1
10	9	8	7
6	5	4	3
2	1		

Terminal No.	Color of Wire	Signal Name [Specification]
1	W	-
2	V	-
3	R	-
4	G	-
5	P	-
6	SB	-
8	GR	-
9	BR	-
10	B	-

Connector No.	D4
Connector Name	FRONT DOOR SPEAKER LH
Connector Type	NS02FW-CS



2	1
---	---

Terminal No.	Color of Wire	Signal Name [Specification]
1	W	-
2	P	-

Connector No.	D21
Connector Name	WIRE TO WIRE
Connector Type	NH10FW-CS10



6	5	4	3	2	1
20	19	18	17	16	15
13	12	11	10	9	8
7	8	9	10	11	12

Terminal No.	Color of Wire	Signal Name [Specification]
1	G	-
2	Y	-
4	B	-
5	L	-
6	SB	-
7	R	-
8	V	-
9	R	-
10	W	-
11	L	-
12	LG	-
13	P	-
14	B	-
15	G	-
16	GR	-
17	BR	-
18	V	-
20	W	-

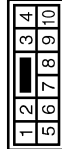
AUDIO WITH NAVIGATION

Connector No.	D24
Connector Name	FRONT DOOR SPEAKER RH
Connector Type	NS22FW-CS



Terminal No.	Color of Wire	Signal Name [Specification]
1	G	
2	R	

Connector No.	D41
Connector Name	WIRE TO WIRE
Connector Type	NS10MW-CS



Terminal No.	Color of Wire	Signal Name [Specification]
1	W	
4	L	
5	P	
7	GR	
8	LG	
9	BR	
10	O	

Connector No.	D44
Connector Name	REAR DOOR SPEAKER RH
Connector Type	NS22FW-CS



Terminal No.	Color of Wire	Signal Name [Specification]
1	LG	
2	GR	

Connector No.	D61
Connector Name	WIRE TO WIRE
Connector Type	NS10MW-CS



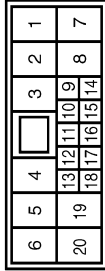
Terminal No.	Color of Wire	Signal Name [Specification]
1	V	
4	L	
5	G	
7	GR	
8	LG	
9	BR	
10	O	

Connector No.	D64
Connector Name	REAR DOOR SPEAKER LH
Connector Type	NS22FW-CS



Terminal No.	Color of Wire	Signal Name [Specification]
1	LG	
2	GR	

Connector No.	D109
Connector Name	WIRE TO WIRE
Connector Type	NS10FW-CS10



Terminal No.	Color of Wire	Signal Name [Specification]
12	L	
13	SHIELD	
17	G	
18	Y	

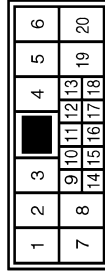
Connector No.	D111
Connector Name	REAR VIEW CAMERA
Connector Type	TKGMW



Terminal No.	Color of Wire	Signal Name [Specification]

1	G	CAMERA POWER SUPPLY
2	L	CAMERA GND
3	Y	CAMERA IMAGE SIGNAL
4	SHIELD	SHIELD

Connector No.	D122
Connector Name	WIRE TO WIRE
Connector Type	NH10MF-CS10



Terminal No.	Color of Wire	Signal Name [Specification]
12	L	
13	SHIELD	
17	G	
18	Y	

A
B
C
D
E
F
G
H
I
J
K
L
M
AV
O
P

AUDIO WITH NAVIGATION

< WIRING DIAGRAM >

[AUDIO WITH NAVIGATION]

AUDIO WITH NAVIGATION

Connector No.	D125
Connector Name	WIRE TO WIRE
Connector Type	NI10VW-CS10

6	5	4	3	2	1
20	19	18	17	16	15
14	13	12	11	10	9
8	7	6	5	4	3
2	1				



Terminal No.	Color of Wire	Signal Name [Specification]
1	Y	-
3	SB	-
5	GR	-
6	G	-
7	GR	-
8	SHIELD	-
9	R	-
10	Y	-
11	G	-
12	BR	-
13	W	-
14	BR	-
15	Y	-
16	L	-
17	R	-
18	L	-
20	LG	-

Connector No.	D126
Connector Name	WIRE TO WIRE
Connector Type	MO4VW-LC

2	1
4	3



Terminal No.	Color of Wire	Signal Name [Specification]
1	R	-
3	B	-

Connector No.	D127
Connector Name	WOOFER
Connector Type	NS06VW-CS

1	2
3	4
6	



Terminal No.	Color of Wire	Signal Name [Specification]
1	SB	BATTERY
2	BR	SOUND SIGNAL WOOFER (+)
3	B	GND
4	Y	WOOFER AMP. ON SIGNAL
6	R	SOUND SIGNAL WOOFER (-)

Connector No.	E6
Connector Name	WIRE TO WIRE
Connector Type	RH1ZFB



6	5	4	3	2	1
12	11	10	9	8	7

Terminal No.	Color of Wire	Signal Name [Specification]
1	L	-
2	BR	-
3	P	-
4	V	-
5	LG	-
6	R	-
7	SB	-
8	GR	-
9	LG	-
10	R	-
11	W	-

Connector No.	E8
Connector Name	WIRE TO WIRE
Connector Type	SA438ME-RS10-SJZ2

1	2	3	4	5	6	7	8	9	10
11	12	13	14	15	16	17	18	19	20
21	22	23	24	25					
26	27	28	29	30					
31	32	33	34	35	36	37	38	39	40
41	42	43	44	45	46	47	48	49	50



Terminal No.	Color of Wire	Signal Name [Specification]
1	BR	-
2	LG	-
3	Y	-
4	W	-
7	Y	-
8	SB	-
9	L	-
10	V	-
11	P	-
12	BR	-
13	LG	-
14	Y	-
15	SB	-
16	L	-
17	W	-
18	O	-
21	G	-
22	Y	-
23	SB	-
24	W	-
25	BR	-
26	B	-
28	B/V	-
21	GR	-
28	P	-
29	V	-
30	G	-
31	G	-
32	O	-
33	W	-
34	Y	-
35	V	-
36	P	-
37	LG	-
39	SB	-
40	GR	-
41	O	-
42	V	-

43	R	-	[With CVT]
43	LG	-	[With M/T]
44	R	-	-
46	W	-	-
47	G	-	-
48	BR	-	-

Connector No.	E15
Connector Name	REAR L/R INTELLIGENT POWER DISTRIBUTION MODULE (PHONE ROOM)
Connector Type	NS19FW-CS



53	52	51	50
62	61	60	59
58	57	56	55
49	48	47	

Terminal No.	Color of Wire	Signal Name [Specification]
47	BR	-
49	W	-
50	GR	-
51	R	-
52	P	-
54	GR	-
55	P	-
56	SB	-
57	G	-
58	R	-
58	Y	-
59	Y	-
60	V	-
61	W	-
62	L	-

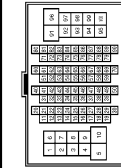
AUDIO WITH NAVIGATION

< WIRING DIAGRAM >

[AUDIO WITH NAVIGATION]

AUDIO WITH NAVIGATION

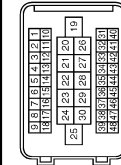
Connector No.	E105
Connector Name	WIRE TO WIRE
Connector Type	TH80MW-CS-E-TM4



Terminal No.	Color of Wire	Signal Name [Specification]
1	V	
2	W	
3	SB	
4	G	
5	P	
6	L	- [With NAVI]
7	R	- [Without NAVI]
8	Y	
9	O	
10	SB	
31	V	
32	R	
33	GR	
34	P	
35	Y	
36	BR	
39	SB	
44	R	
45	V	
46	P	
48	L	
51	BR	- [With CVT]
51	B	- [With M/T]
53	SB	
54	W	- [With CVT]
54	O	- [With M/T]
57	LG	
59	L	
60	O	
61	G	
62	W	
63	L	
67	GR	- [With CVT]
67	V	- [With M/T]
68	P	
70	SHIELD	
71	GR	

72	LG	
73	P	
74	V	
76	Y	
77	LG	
78	O	
79	G	
80	P	
81	L	
82	W	
83	BR	
84	B	
87	GR	
91	W	
92	Y	
93	Y	
94	R	
95	V	
96	LG	
97	R	
98	SB	
99	G	
100	P	

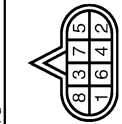
Connector No.	F1
Connector Name	WIRE TO WIRE
Connector Type	SAA39FB-RS10-SJZZ



Terminal No.	Color of Wire	Signal Name [Specification]
1	SB	
2	LG	
3	R	
4	Y	
7	V	
8	G	
9	SB	
10	L	
11	Y	
12	GR	
13	BR	
14	G	
15	W	

16	Y	
17	P	
18	BR	
21	G	
22	L	
23	W	
24	R	
25	R	
26	B	
27	SB	
28	V	
29	V	
30	BR	
31	GR	
32	BR	
33	W	
34	LG	
35	V	
36	Y	
37	SB	
37	W	- [For California]
39	G	- [Except for California]
40	P	
41	O	
42	G	
43	R	
44	P	
46	GR	
47	Y	
48	BR	

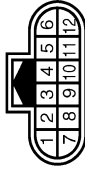
Connector No.	F21
Connector Name	TRANSMISSION RANGE SWITCH
Connector Type	RK6BFG



Terminal No.	Color of Wire	Signal Name [Specification]
1	V	
2	BR	
3	R	
4	GR	
5	SB	
6	W	

7	Y	
8	G	

Connector No.	F46
Connector Name	WIRE TO WIRE
Connector Type	RH12MB



Terminal No.	Color of Wire	Signal Name [Specification]
1	G	
2	O	
3	L	
4	V	
5	BR	
6	LG	
7	Y	
8	SB	
9	W	
10	R	
11	G	

Connector No.	M14
Connector Name	TWEETER RH
Connector Type	TK02FBR



Terminal No.	Color of Wire	Signal Name [Specification]
1	G	
2	R	

A
B
C
D
E
F
G
H
I
J
K
L
M
O
P

AV

JCNWM5650GB

AUDIO WITH NAVIGATION

Connector No.	M15
Connector Name	TWEETER LH
Connector Type	TK02FB



1	2
---	---

Terminal No.	Color of Wire	Signal Name [Specification]
1	W	
2	P	

Connector No.	M1B
Connector Name	WIRE TO WIRE
Connector Type	NS16FW-CS



7	6	5	4	3	2	1
16	15	14	13	12	11	10
9	8	7	6	5	4	3
2	1					

Terminal No.	Color of Wire	Signal Name [Specification]
1	G/R	
3	L/W	
4	L	
5	Y	
6	L/B	
7	LG	
8	GR	
9	SB	
10	W/L	
11	G	
12	V	
13	L	
15	L	
16	GR	

Connector No.	M19
Connector Name	WIRE TO WIRE
Connector Type	NS16FW-CS



7	6	5	4	3	2	1
16	15	14	13	12	11	10
9	8	7	6	5	4	3
2	1					

Terminal No.	Color of Wire	Signal Name [Specification]
1	V	
2	W	
3	O	
5	L/R	
6	R	
7	L	
8	R/B	
9	G	
10	V	
11	L/W	
12	LG	
14	R	
15	Y/R	
16	B/R	

Connector No.	M21
Connector Name	WIRE TO WIRE
Connector Type	TH432FW-NH



16	15	14	13	12	11	10	9	8	7	6	5	4	3	2	1
23	21	20	19	18	17	16	15	14	13	12	11	10	9	8	7

Terminal No.	Color of Wire	Signal Name [Specification]
1	SB	
2	G	
3	V	
4	SHIELD	
5	O	
6	G/O	
7	GR/R	
14	L	

15	SB	
16	SB	
17	LG	
18	SHIELD	
18	BR	
20	Y	
21	L/Y	
22	V	
23	W/G	
24	L/B	
30	P	
31	LG	
32	LG	

Connector No.	M22
Connector Name	WIRE TO WIRE
Connector Type	NH10MW-CS10



1	2	3	4	5	6
7	8	9	10	11	12
13	14	15	16	17	18
19	20				

Terminal No.	Color of Wire	Signal Name [Specification]
1	G	
2	G	
4	B	
5	L	
6	W/R	
7	R	
8	V	
9	G/R	
10	LG	
11	R	
12	G	
13	BR/Y	
14	B	
15	G/B	
16	GR	
17	BR	
18	L/Y	
20	Y/R	

Connector No.	M23
Connector Name	WIRE TO WIRE
Connector Type	NS16MW-CS



1	2	3	4	5	6	7
8	9	10	11	12	13	14
15	16					

Terminal No.	Color of Wire	Signal Name [Specification]
6	V	
7	G	
8	L	
9	BR	
10	B	
16	SHIELD	

Connector No.	M23
Connector Name	COMBINATION SWITCH (SPIRAL CABLE)
Connector Type	TK08FEGY-TV

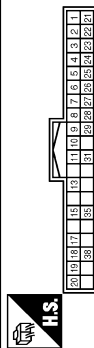


24	25	26
31	32	33
34		

Terminal No.	Color of Wire	Signal Name [Specification]
24	W/L	
25	B/L	
26	B/R	
31	GR/R	- [With NAV]
31	GR/B	- [Without NAV]
32	B/W	
33	L/G	
34	R/B	

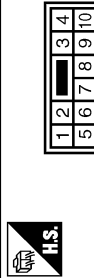
AUDIO WITH NAVIGATION

Connector No.	M34
Connector Name	COMBINATION METER
Connector Type	TH40FV-NH



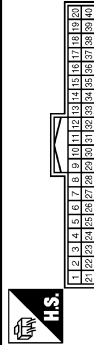
Terminal No.	Color of Wire	Signal Name [Specification]
1	L	CAN-H
2	P	CAN-L
3	V	VEHICLE SPEED SIGNAL (2-PULSE)
4	L	VEHICLE SPEED SIGNAL (8-PULSE)
6	BR/Y	FUEL LEVEL SENSOR SIGNAL
7	R/G	AIR BAG SIGNAL
8	P	OVERDRIVE CONTROL SWITCH SIGNAL
9	O	SEAT BELT BUCKLE SWITCH SIGNAL (DRIVER SIDE)
10	SB	PARKING BRAKE SWITCH SIGNAL
11	G/R	BRAKE FLUID LEVEL SWITCH SIGNAL
13	B/R	ILLUMINATION CONTROL SIGNAL
15	L/Y	ACC POWER SUPPLY
17	G	WASHER LEVEL SWITCH SIGNAL
18	R/Y	SECURITY SIGNAL
19	V/W	AMBIENT SENSOR SIGNAL
20	R/W	AMBIENT SENSOR GROUND
21	B	GROUND
22	B	GROUND
23	B	GROUND
24	V	FUEL LEVEL SENSOR GROUND
25	B	VDC GROUND
27	LG	BATTERY POWER SUPPLY
28	GR	IGNITION SIGNAL
29	BR	PASSENGER SEAT BELT WARNING SIGNAL
31	R	A/C AUTO AMP-CONNECTION RECOGNITION SIGNAL
35	BR	ENGINE COOLANT TEMPERATURE SIGNAL
38	GR	ALTERNATOR SIGNAL

Connector No.	M40
Connector Name	WIRE TO WIRE
Connector Type	NS10MH-CS



Terminal No.	Color of Wire	Signal Name [Specification]
1	W	
2	V	
3	V	
4	G/R	
5	P	
8	L/B	
8	GR	
9	BR	
10	B	

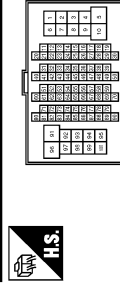
Connector No.	M68
Connector Name	BCM (BODY CONTROL MODULE)
Connector Type	TH40FE-NH



Terminal No.	Color of Wire	Signal Name [Specification]
2	BR/W	COMBI SW INPUT 5
3	GR	COMBI SW INPUT 4
4	L/Y	COMBI SW INPUT 3
5	G	COMBI SW INPUT 2
6	L/R	COMBI SW INPUT 1
7	W/R	KEY CYL UNLOCK SW
8	W/B	KEY CYL LOCK SW
9	R	STOP LAMP SW 1
12	GR	CENTRAL DOOR LOCK SW
13	BR	CENTRAL DOOR UNLOCK SW
14	L/B	OPTICAL SENSOR
15	W/L	REAR WINDOW DEFROGGER SW
17	R/G	OPTICAL SENSOR POWER SUPPLY

18	V	SENSOR GND
21	P/L	MATS ANTENNA AMP
22	R/Y	SECURITY INDICATOR LAMP
24	GR/R	DOUBLE LINK
25	LG	MATS ANTENNA AMP
27	Y/G	A/C SW
28	G/W	BLOWER FAN SW
29	L/W	HAZARD SW
31	G/B	DR DOOR UNLOCK SENSOR
32	LG	COMBI SW OUTPUT 5
33	Y/L	COMBI SW OUTPUT 4
34	W	COMBI SW OUTPUT 3
35	R/L	COMBI SW OUTPUT 2
36	L/O	COMBI SW OUTPUT 1
37	G/O	SHIFT P
38	G/Y	RECEIVER COMM
39	L	CAN-H
40	P	CAN-L

Connector No.	M77
Connector Name	WIRE TO WIRE
Connector Type	TH80FW-CS16-TM4



Terminal No.	Color of Wire	Signal Name [Specification]
1	B/O	
2	R	
3	G/R	
4	G/B	
5	L	
6	L	
7	W/R	
8	G/W	
9	Y/L	
10	W	
31	GR/L	
32	L/B	
33	R/Y	
34	SB	
35	BR	
36	G	
39	L/R	
44	G/O	

45	LG/R	
46	GR/W	
48	L/O	
51	B/W	
53	R/L	
54	O	
57	GR	
59	V	
60	R/W	
61	V/W	
62	W/L	
63	W/B	
67	Y/R	
69	LG	
70	SHIELD	
71	P/B	
72	R/G	
73	R	
74	L/Y	
76	W/G	
77	GR/R	
78	O	
79	LG	
80	P	
81	L	
82	GR	
83	G/R	
84	B	
87	G	
91	R	
92	O	
93	Y	
94	R/B	
95	L/W	
96	Y	
97	L	
98	BR/W	
99	W	
100	G/R	

A
B
C
D
E
F
G
H
I
J
K
L
M
N
O
P



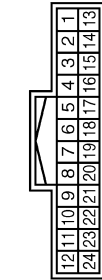
AUDIO WITH NAVIGATION

< WIRING DIAGRAM >

[AUDIO WITH NAVIGATION]

AUDIO WITH NAVIGATION

Connector No.	M83
Connector Name	WIRE TO WIRE
Connector Type	TH24FW-NH



Terminal No.	Color of Wire	Signal Name [Specification]
4	L	
5	Y/B	
6	G/O	
7	G/R	
11	W	
12	W/B	
16	B	
18	G/Y	
19	SHIELD	
24	B/W	

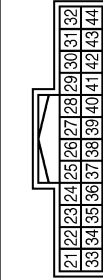
Connector No.	M87
Connector Name	NAVI CONTROL UNIT
Connector Type	TH18FW-CSZ



Terminal No.	Color of Wire	Signal Name [Specification]
1	Y/B	WOOFER AMP-ON SIGNAL
2	W	SOUND SIGNAL FRONT SPEAKER LH (+)
3	P	SOUND SIGNAL FRONT SPEAKER LH (-)
4	V	SOUND SIGNAL REAR SPEAKER LH (+)
5	R/B	SOUND SIGNAL REAR SPEAKER LH (-)
6	W/L	STRG SW A
7	L/Y	ACC
8	B/R	ILLUMINATION CONTROL SIGNAL (-)
9	W	ILLUMINATION CONTROL SIGNAL (+)
11	G	SOUND SIGNAL FRONT SPEAKER RH (+)
12	R	SOUND SIGNAL FRONT SPEAKER RH (-)
13	LG	SOUND SIGNAL REAR SPEAKER RH (+)

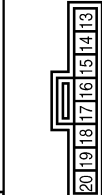
14	GR	SOUND SIGNAL REAR SPEAKER RH (-)
15	L/G	STRG SW GND
16	GP/R	STRG SW B
18	V/R	VEHICLE SPEED SIGNAL (PULSE)
19	L	BATTERY
20	B	GND

Connector No.	M88
Connector Name	NAVI CONTROL UNIT
Connector Type	TH24FW-NH



Terminal No.	Color of Wire	Signal Name [Specification]
22	B	EQ 2
23	B	EQ 3
24	B	EQ 4
25	Y/R	REVERSE SIGNAL
30	P	SOUND SIGNAL WOOFER (+)
31	L	SOUND SIGNAL WOOFER (-)
34	BR	SOUND SIGNAL (+)
35	Y	SOUND SIGNAL (-)
36	B	GND
37	SHIELD	SHIELD
38	SB	AV COMM (H)
39	LG	AV COMM (L)
41	G/Y	CAMERA IMAGE SIGNAL
42	SHIELD	SHIELD
43	G/O	CAMERA POWER SUPPLY
44	G/R	CAMERA GND

Connector No.	M302
Connector Name	COMBINATION SWITCH (SPIRAL CABLE)
Connector Type	TK08FGY



Connector No.	M310
Connector Name	ANTENNA BASE
Connector Type	GT13SSN-1/1PP-HU



Terminal No.	Color of Wire	Signal Name [Specification]
1	-	ANTENNA AMP. ON SIGNAL
2	-	AM-FM MAIN

Connector No.	M311
Connector Name	WIRE TO WIRE
Connector Type	GT16C-1PP-HU



Terminal No.	Color of Wire	Signal Name [Specification]
1	-	

Connector No.	M312
Connector Name	WIRE TO WIRE
Connector Type	GT16C-1S-HU



Terminal No.	Color of Wire	Signal Name [Specification]
1	-	

Terminal No.	Color of Wire	Signal Name [Specification]
13	R	
14	Y	
15	P	
16	B	
17	W	
18	G	
19	P	
20	R	

Connector No.	M308
Connector Name	WIRE TO WIRE
Connector Type	GT13SSN-1/1PP-HU



Terminal No.	Color of Wire	Signal Name [Specification]
1	-	
2	-	

Connector No.	M309
Connector Name	WIRE TO WIRE
Connector Type	GT13SC-1/1S-HU



Terminal No.	Color of Wire	Signal Name [Specification]
1	-	
2	-	

AUDIO WITH NAVIGATION

Connector No.	M314
Connector Name	NAVI CONTROL UNIT
Connector Type	GT13SH-2/1S-HU



Terminal No.	Color of Wire	Signal Name [Specification]
70	-	ANTENNA AMP_ON SIGNAL
71	-	AM-FM MAIN

Connector No.	M315
Connector Name	NAVI CONTROL UNIT
Connector Type	FAKRA



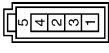
Terminal No.	Color of Wire	Signal Name [Specification]
73	-	SATELLITE RADIO ANTENNA SIGNAL

Connector No.	M316
Connector Name	NAVI CONTROL UNIT
Connector Type	FAKRA



Terminal No.	Color of Wire	Signal Name [Specification]
54	-	GPS ANTENNA SIGNAL
55	-	SHIELD

Connector No.	M317
Connector Name	USB CONNECTOR AND AUX JACK
Connector Type	GT17H-4S-HU



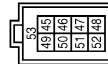
Terminal No.	Color of Wire	Signal Name [Specification]
1	G	USB GND
2	R	USB D-
3	L	USB D+
4	W	V BUS
5	SHIELD	SHIELD

Connector No.	M318
Connector Name	USB CONNECTOR AND AUX JACK
Connector Type	TK04FW



Terminal No.	Color of Wire	Signal Name [Specification]
6	G	AUDIO R
7	R	AUDIO GND
9	W	AUDIO L

Connector No.	M319
Connector Name	NAVI CONTROL UNIT
Connector Type	GT17S-8DS-HU



Terminal No.	Color of Wire	Signal Name [Specification]
45	G	USB GND
46	R	USB D-
47	L	USB D+
48	W	V BUS
49	W	AUX SOUND SIGNAL LH (+)
50	R	AUX SOUND SIGNAL RH (+)
51	R	AUX SOUND SIGNAL GND
53	SHIELD	SHIELD

Connector No.	M320
Connector Name	ANTENNA BASE
Connector Type	GT16C-1PP-HU



Terminal No.	Color of Wire	Signal Name [Specification]
4	-	SATELLITE ANTENNA

Connector No.	RT
Connector Name	WIRE TO WIRE
Connector Type	NS18PW-CS



Terminal No.	Color of Wire	Signal Name [Specification]
6	Y	-
7	L	-
8	Y	-
9	BR	-
10	B	-
16	G	-

Connector No.	R3
Connector Name	WIRE TO WIRE
Connector Type	TH04MF-NH



Terminal No.	Color of Wire	Signal Name [Specification]
1	L	-
2	G	-
4	Y	-

Connector No.	R20
Connector Name	WIRE TO WIRE
Connector Type	TH04FW-NH



Terminal No.	Color of Wire	Signal Name [Specification]
1	L	-
2	SHIELD	-
4	R	-

A
B
C
D
E
F
G
H
I
J
K
L
M
AV
O
P

AUDIO WITH NAVIGATION

Connector No.	R21
Connector Name	MICROPHONE
Connector Type	TKCAF7

Terminal No.	Color of Wire	Signal Name (Specification)
1	L	MICROPHONE SIGNAL
2	SHIELD	MICROPHONE GND
4	R	MICROPHONE VCC

JCNWM5655GB

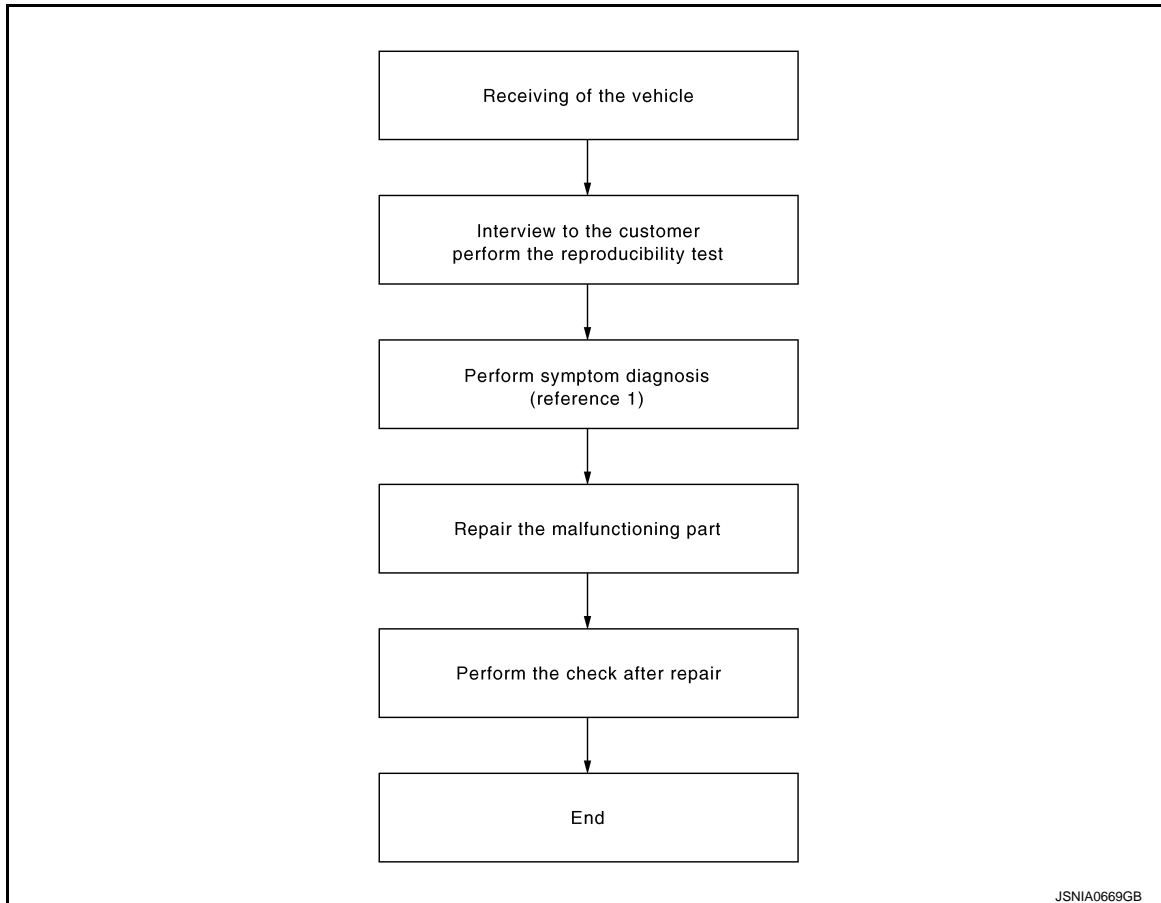
BASIC INSPECTION

DIAGNOSIS AND REPAIR WORK FLOW

Work Flow

INFOID:000000006917526

OVERALL SEQUENCE



Reference 1...Refer to [AV-123, "Symptom Table"](#) (navigation system) or [AV-126, "Symptom Table"](#) (hands-free phone system).

DETAILED FLOW

1. CHECK SYMPTOM

Check the malfunction symptoms by performing the following items.

- Interview the customer to obtain the malfunction information (conditions and environment when the malfunction occurred).
- Check the symptom.

>> GO TO 2.

2. PERFORM DIAGNOSIS BY SYMPTOM

Perform the relevant diagnosis referring to the diagnosis chart by symptom. Refer to [AV-123, "Symptom Table"](#) (navigation system) or [AV-126, "Symptom Table"](#) (hands-free phone system).

>> GO TO 3.

3. REPAIR OR REPLACE MALFUNCTIONING PARTS

Repair or replace the malfunctioning parts.

>> GO TO 4.

DIAGNOSIS AND REPAIR WORK FLOW

< BASIC INSPECTION >

[AUDIO WITH NAVIGATION]

4. FINAL CHECK

Perform the operation to check that the malfunction symptom is solved or any other symptoms are present.

Is there any symptom?

YES >> GO TO 2.

NO >> INSPECTION END

POWER SUPPLY AND GROUND CIRCUIT

< DTC/CIRCUIT DIAGNOSIS >

[AUDIO WITH NAVIGATION]

DTC/CIRCUIT DIAGNOSIS

POWER SUPPLY AND GROUND CIRCUIT NAVI CONTROL UNIT

NAVI CONTROL UNIT : Diagnosis Procedure

INFOID:000000006951877

1.CHECK FUSE

Check for blown fuses.

Power source	Fuse No.
Battery	34
Ignition switch ACC or ON	20

Is inspection result OK?

YES >> GO TO 2.

NO >> Be sure to eliminate cause of malfunction before installing new fuse.

2.CHECK POWER SUPPLY CIRCUIT

Check voltage between NAVI control unit harness connector and ground.

Signal name	Connector No.	Terminal No.	Ignition switch position	Value (Approx.)
Battery power supply	M97	19	OFF	Battery voltage
ACC power supply	M97	7	ACC	Battery voltage

Is inspection result OK?

YES >> GO TO 3.

NO >> Check harness between NAVI control unit and fuse.

3.CHECK GROUND CIRCUIT

1. Turn ignition switch OFF.
2. Disconnect NAVI control unit connector.
3. Check continuity between NAVI control unit harness connector and ground.

Signal name	Connector No.	Terminal No.	Ignition switch position	Continuity
Ground	M97	20	OFF	Continuity should exist.

Is inspection result OK?

YES >> INSPECTION END

NO >> Repair harness or connector.

TEL ADAPTER UNIT

TEL ADAPTER UNIT : Diagnosis Procedure

INFOID:000000006931546

1.CHECK FUSES

Check that the following fuses of the TEL adapter unit are not blown.

Power source	Fuse No.
Battery	34
Ignition switch ACC or ON	20

Is inspection result OK?

YES >> GO TO 2.

NO >> If fuse is blown, be sure to eliminate cause of malfunction before installing new fuse.

2.CHECK POWER SUPPLY CIRCUIT

Check voltage between TEL adapter unit harness connector and ground.

A
B
C
D
E
F
G
H
I
J
K
L
M

AV

O
P

POWER SUPPLY AND GROUND CIRCUIT

< DTC/CIRCUIT DIAGNOSIS >

[AUDIO WITH NAVIGATION]

Signal name	Connector No.	Terminal No.	Ignition switch position	Voltage
Battery power supply	B54	1	OFF	Battery voltage
ACC power supply		2	ACC	Battery voltage

Is inspection result OK?

YES >> GO TO 3.

NO >> Check harness between TEL adapter unit and fuse.

3.CHECK GROUND CIRCUIT

1. Turn ignition switch OFF.
2. Disconnect TEL adapter unit connector.
3. Check continuity between TEL adapter unit harness connector and ground.

Signal name	Connector No.	Terminal No.	Ignition switch position	Continuity
Ground	B54	4	OFF	Existed

Is inspection result OK?

YES >> INSPECTION END

NO >> Repair harness or connector.

WOOFER AMP. ON SIGNAL CIRCUIT

< DTC/CIRCUIT DIAGNOSIS >

[AUDIO WITH NAVIGATION]

WOOFER AMP. ON SIGNAL CIRCUIT

Description

INFOID:000000006951869

When the audio system is turned on, a voltage signal is supplied from the NAVI control unit to the woofer. When this signal is received, the woofer will turn on.

Diagnosis Procedure

INFOID:000000006951870

1. CHECK CONTINUITY WOOFER AMP. ON SIGNAL CIRCUIT

1. Turn ignition switch OFF.
2. Disconnect NAVI control unit connector and woofer connector.
3. Check continuity between NAVI control unit harness connector and woofer harness connector.

NAVI control unit		Woofer		Continuity
Connector	Terminal	Connector	Terminal	
M97	1	D127	4	Existed

4. Check continuity between woofer harness connector and ground.

Woofer		Ground	Continuity
Connector	Terminal		
D127	4		Not existed

Is inspection result OK?

YES >> GO TO 2.

NO >> Repair harness or connector.

2. CHECK VOLTAGE AMP. ON SIGNAL

1. Connect NAVI control unit connector
2. Turn ignition switch ON.
3. Check voltage between NAVI control unit harness connector and ground.

NAVI control unit		Ground	Voltage (Approx.)
Connector	Terminal		
M97	1		12.0 V

Is inspection result OK?

YES >> Replace woofer. Refer to [AV-136. "Exploded View"](#).

NO >> Replace NAVI control unit. Refer to [AV-132. "Removal and Installation"](#).

A
B
C
D
E
F
G
H
I
J
K
L
M

AV

MICROPHONE SIGNAL CIRCUIT

< DTC/CIRCUIT DIAGNOSIS >

[AUDIO WITH NAVIGATION]

MICROPHONE SIGNAL CIRCUIT

Description

INFOID:000000006951879

TEL adapter unit supplies power to microphone. The microphone transmits the sound voice to the TEL adapter unit.

Diagnosis Procedure

INFOID:000000006951880

1. CHECK CONTINUITY BETWEEN TEL ADAPTER UNIT AND MICROPHONE CIRCUIT

1. Turn ignition switch OFF.
2. Disconnect TEL adapter unit connector and microphone connector.
3. Check continuity between TEL adapter unit harness connector and microphone harness connector.

TEL adapter unit		Microphone		Continuity
Connector	Terminal	Connector	Terminal	
B54	7	R21	1	Existed
	8		2	
	29		4	

4. Check continuity between TEL adapter unit harness connector and ground.

TEL adapter unit		Ground	Continuity
Connector	Terminal		
B54	7		Not existed
	29		

Is inspection result OK?

YES >> GO TO 2.

NO >> Repair harness or connector.

2. CHECK MICROPHONE POWER SUPPLY

1. Connect TEL adapter unit connector.
2. Turn ignition switch ON.
3. Check voltage between TEL adapter unit harness connector and ground.

TEL adapter unit		Ground	Voltage (Approx.)
Connector	Terminal		
B54	29		5.0 V

Is inspection result OK?

YES >> GO TO 3.

NO >> Replace TEL adapter unit. Refer to [AV-139, "Exploded View"](#).

3. CHECK MICROPHONE SIGNAL

1. Turn ignition switch OFF.
2. Connect microphone connector.
3. Turn ignition switch ON.
4. Check signal between TEL adapter unit harness connector.

MICROPHONE SIGNAL CIRCUIT

< DTC/CIRCUIT DIAGNOSIS >

[AUDIO WITH NAVIGATION]

TEL adapter unit		TEL adapter unit		Condition	Reference value
Connector	Terminal	Connector	Terminal		
B54	7	B54	8	Give a voice.	

Is inspection result OK?

YES >> INSPECTION END

NO >> Replace microphone. Refer to [AV-140, "Exploded View"](#).

A
B
C
D
E
F
G
H
I
J
K
L
M
AV
O
P

AV

CONTROL SIGNAL CIRCUIT

< DTC/CIRCUIT DIAGNOSIS >

[AUDIO WITH NAVIGATION]

CONTROL SIGNAL CIRCUIT

Description

INFOID:000000006917531

TEL adapter unit identifies the vehicle model according to the control signal and performs the control.

Diagnosis Procedure

INFOID:000000006917532

1. CHECK CONTINUITY CONTROL SIGNAL CIRCUIT

1. Turn ignition switch OFF.
2. Disconnect TEL adapter unit connector.
3. Check continuity between TEL adapter unit harness connector and ground.

TEL adapter unit			Continuity
Connector	Terminals		
B54	20	Ground	Existed
	21		
	24		
	27		

Is the inspection result normal?

- YES >> Replace TEL adapter unit. Refer to [AV-139, "Exploded View"](#).
NO >> Repair harness or connector.

CAMERA IMAGE SIGNAL CIRCUIT

< DTC/CIRCUIT DIAGNOSIS >

[AUDIO WITH NAVIGATION]

CAMERA IMAGE SIGNAL CIRCUIT

Description

INFOID:000000006951883

- The NAVI control unit supplies power to the rear view camera when receiving a reverse signal.
- The rear view camera transmits camera images to the NAVI control unit when power is supplied from the NAVI control unit.

Diagnosis Procedure

INFOID:000000006951884

1. CHECK CONTINUITY CAMERA POWER SUPPLY CIRCUIT

1. Turn ignition switch OFF.
2. Disconnect NAVI control unit connector and rear view camera connector.
3. Check continuity between NAVI control unit harness connector and rear view camera harness connector.

NAVI control unit		Rear view camera		Continuity
Connector	Terminal	Connector	Terminal	
M98	43	D111	1	Existed

4. Check continuity between NAVI control unit harness connector and ground.

NAVI control unit		Ground	Continuity
Connector	Terminal		
M98	43		Not existed

Is inspection result normal?

- YES >> GO TO 2.
NO >> Repair harness or connector.

2. CHECK VOLTAGE CAMERA POWER SUPPLY

1. Connect NAVI control unit connector and rear view camera connector.
2. Turn ignition switch ON.
3. Shift the selector lever to "R" position.
4. Check voltage between NAVI control unit harness connector and ground.

(+)		(-)	Condition	Voltage (Approx.)
Connector	Terminal			
M98	43	Ground	Shift position is in "R".	6.0 V

Is inspection result normal?

- YES >> GO TO 3.
NO >> Replace NAVI control unit. Refer to [AV-132, "Removal and Installation"](#).

3. CHECK CONTINUITY CAMERA IMAGE SIGNAL CIRCUIT

1. Turn ignition switch OFF.
2. Disconnect NAVI control unit connector and rear view camera connector.
3. Check continuity between NAVI control unit harness connector and rear view camera harness connector.

NAVI control unit		Rear view camera		Continuity
Connector	Terminal	Connector	Terminal	
M98	41	D111	3	Existed

4. Check continuity between NAVI control unit harness connector and ground.

A
B
C
D
E
F
G
H
I
J
K
L
M
P
O

AV

CAMERA IMAGE SIGNAL CIRCUIT

< DTC/CIRCUIT DIAGNOSIS >

[AUDIO WITH NAVIGATION]

NAVI control unit		Ground	Continuity
Connector	Terminal		
M98	41		Not existed

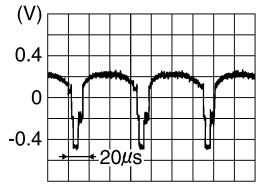
Is inspection result normal?

YES >> GO TO 4.

NO >> Repair harness or connector.

4. CHECK CAMERA IMAGE SIGNAL

1. Connect NAVI control unit connector and rear view camera connector.
2. Turn ignition switch ON.
3. Shift the selector lever to "R" position.
4. Check signal between NAVI control unit harness connector and ground.

(+)		(-)	Condition	Reference value
Connector	Terminal			
M98	41	Ground	At rear view camera image is displayed.	 <p style="text-align: right; font-size: small;">SKIB0827E</p>

Is inspection result normal?

YES >> Replace NAVI control unit. Refer to [AV-132, "Removal and Installation"](#).

NO >> Replace rear view camera. Refer to [AV-142, "Removal and Installation"](#).

STEERING SWITCH SIGNAL A CIRCUIT

< DTC/CIRCUIT DIAGNOSIS >

[AUDIO WITH NAVIGATION]

STEERING SWITCH SIGNAL A CIRCUIT

Description

INFOID:000000006951885

Transmits the steering switch signal to NAVI control unit.

Diagnosis Procedure

INFOID:000000006951886

1. CHECK STEERING SWITCH SIGNAL A CIRCUIT

1. Disconnect NAVI control unit connector and spiral cable connector.
2. Check continuity between NAVI control unit harness connector and spiral cable harness connector.

NAVI control unit		Spiral cable		Continuity
Connector	Terminal	Connector	Terminal	
M97	6	M33	24	Existed

3. Check continuity between NAVI control unit harness connector and ground.

NAVI control unit		Ground	Continuity
Connector	Terminal		
M97	6		Not existed

Is the inspection result normal?

- YES >> GO TO 2.
 NO >> Repair harness or connector.

2. CHECK SPIRAL CABLE

Check spiral cable.

Is the inspection result normal?

- YES >> GO TO 3.
 NO >> Replace spiral cable. Refer to [SR-13. "Exploded View"](#).

3. CHECK NAVI CONTROL UNIT VOLTAGE

1. Connect NAVI control unit connector and spiral cable connector.
2. Turn ignition switch ON.
3. Check voltage between NAVI control unit harness connector.

(+)		(-)		Voltage (Approx.)
NAVI control unit				
Connector	Terminal	Connector	Terminal	
M97	6	M97	15	5.0 V

Is the inspection result normal?

- YES >> GO TO 4.
 NO >> Replace NAVI control unit. Refer to [AV-132. "Removal and Installation"](#).

4. CHECK STEERING SWITCH

1. Turn ignition switch OFF.
2. Check steering switch. Refer to [AV-117. "Component Inspection"](#).

Is the inspection result normal?

- YES >> INSPECTION END
 NO >> Replace steering switch. Refer to [AV-141. "Exploded View"](#).

Component Inspection

INFOID:000000006951964

Measure the resistance between the steering switch connector terminals 14 to 17 and 15 to 17.

STEERING SWITCH SIGNAL A CIRCUIT

[AUDIO WITH NAVIGATION]

< DTC/CIRCUIT DIAGNOSIS >

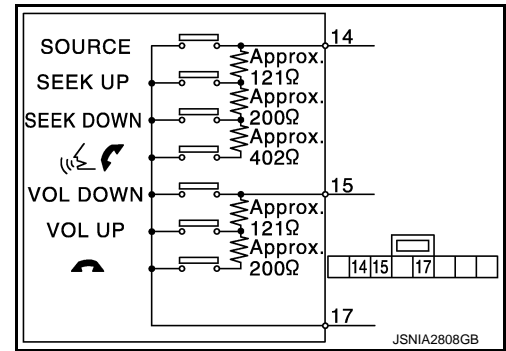
Standard

Between terminals 14 and 17

 switch ON	: Approx. 709 – 737 Ω
SEEK DOWN switch ON	: Approx. 315 – 327 Ω
SEEK UP switch ON	: Approx. 119 – 123 Ω
SOURCE switch ON	: Approx. 0 Ω

Between terminals 15 and 17

 switch ON	: Approx. 315 – 327 Ω
VOL UP switch ON	: Approx. 119 – 123 Ω
VOL DOWN switch ON	: Approx. 0 Ω



STEERING SWITCH SIGNAL B CIRCUIT

< DTC/CIRCUIT DIAGNOSIS >

[AUDIO WITH NAVIGATION]

STEERING SWITCH SIGNAL B CIRCUIT

Description

INFOID:000000006951888

Transmits the steering switch signal to NAVI control unit.

Diagnosis Procedure

INFOID:000000006951889

1. CHECK STEERING SWITCH SIGNAL B CIRCUIT

1. Disconnect NAVI control unit connector and spiral cable connector.
2. Check continuity between NAVI control unit harness connector and spiral cable harness connector.

NAVI control unit		Spiral cable		Continuity
Connector	Terminal	Connector	Terminal	
M97	16	M33	31	Existed

3. Check continuity between NAVI control unit harness connector and ground.

NAVI control unit		Ground	Continuity
Connector	Terminal		
M97	16		Not existed

Is the inspection result normal?

- YES >> GO TO 2.
 NO >> Repair harness or connector.

2. CHECK SPIRAL CABLE

Check spiral cable.

Is the inspection result normal?

- YES >> GO TO 3.
 NO >> Replace spiral cable. Refer to [SR-13. "Exploded View"](#).

3. CHECK NAVI CONTROL UNIT VOLTAGE

1. Connect NAVI control unit connector and spiral cable connector.
2. Turn ignition switch ON.
3. Check voltage between NAVI control unit harness connector.

(+)		(-)		Voltage (Approx.)
NAVI control unit				
Connector	Terminal	Connector	Terminal	
M97	16	M97	15	5.0 V

Is the inspection result normal?

- YES >> GO TO 4.
 NO >> Replace NAVI control unit. Refer to [AV-132. "Removal and Installation"](#).

4. CHECK STEERING SWITCH

1. Turn ignition switch OFF.
2. Check steering switch. Refer to [AV-119. "Component Inspection"](#).

Is the inspection result normal?

- YES >> INSPECTION END
 NO >> Replace steering switch. Refer to [AV-141. "Exploded View"](#).

Component Inspection

INFOID:000000006951966

Measure the resistance between the steering switch connector terminals 14 to 17 and 15 to 17.

STEERING SWITCH SIGNAL B CIRCUIT

[AUDIO WITH NAVIGATION]

< DTC/CIRCUIT DIAGNOSIS >

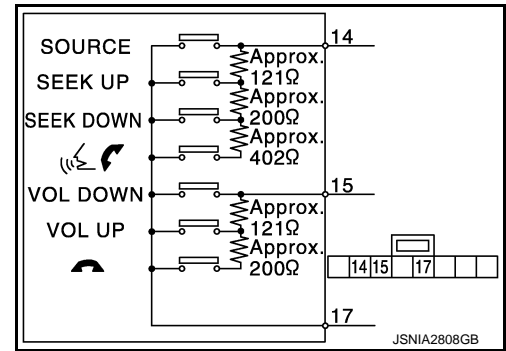
Standard

Between terminals 14 and 17

 switch ON	: Approx. 709 – 737 Ω
SEEK DOWN switch ON	: Approx. 315 – 327 Ω
SEEK UP switch ON	: Approx. 119 – 123 Ω
SOURCE switch ON	: Approx. 0 Ω

Between terminals 15 and 17

 switch ON	: Approx. 315 – 327 Ω
VOL UP switch ON	: Approx. 119 – 123 Ω
VOL DOWN switch ON	: Approx. 0 Ω



STEERING SWITCH GROUND CIRCUIT

< DTC/CIRCUIT DIAGNOSIS >

[AUDIO WITH NAVIGATION]

STEERING SWITCH GROUND CIRCUIT

Description

INFOID:000000006951891

Transmits the steering switch signal to NAVI control unit.

Diagnosis Procedure

INFOID:000000006951892

1. CHECK STEERING SWITCH SIGNAL GROUND CIRCUIT

1. Disconnect NAVI control unit connector and spiral cable connector.
2. Check continuity between NAVI control unit harness connector and spiral cable harness connector.

NAVI control unit		Spiral cable		Continuity
Connector	Terminal	Connector	Terminal	
M97	15	M33	33	Existed

Is the inspection result normal?

- YES >> GO TO 2.
NO >> Repair harness or connector.

2. CHECK SPIRAL CABLE

Check spiral cable.

Is the inspection result normal?

- YES >> GO TO 3.
NO >> Replace spiral cable. Refer to [SR-13, "Exploded View"](#).

3. CHECK GROUND CIRCUIT

1. Connect NAVI control unit connector.
2. Check continuity between NAVI control unit harness connector and ground.

NAVI control unit		Ground	Continuity
Connector	Terminal		
M97	15		Existed

Is the inspection result normal?

- YES >> GO TO 4.
NO >> Replace NAVI control unit. Refer to [AV-132, "Removal and Installation"](#).

4. CHECK STEERING SWITCH

1. Turn ignition switch OFF.
2. Check steering switch. Refer to [AV-121, "Component Inspection"](#).

Is the inspection result normal?

- YES >> INSPECTION END
NO >> Replace steering switch. Refer to [AV-141, "Exploded View"](#).

Component Inspection

INFOID:000000006951967

Measure the resistance between the steering switch connector terminals 14 to 17 and 15 to 17.

A
B
C
D
E
F
G
H
I
J
K
L
M
O
P

AV

STEERING SWITCH GROUND CIRCUIT

[AUDIO WITH NAVIGATION]

< DTC/CIRCUIT DIAGNOSIS >

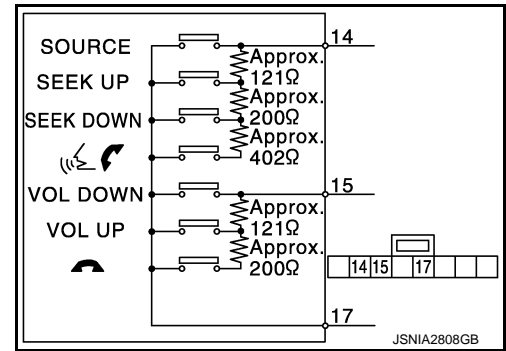
Standard

Between terminals 14 and 17

 switch ON	: Approx. 709 – 737 Ω
SEEK DOWN switch ON	: Approx. 315 – 327 Ω
SEEK UP switch ON	: Approx. 119 – 123 Ω
SOURCE switch ON	: Approx. 0 Ω

Between terminals 15 and 17

 switch ON	: Approx. 315 – 327 Ω
VOL UP switch ON	: Approx. 119 – 123 Ω
VOL DOWN switch ON	: Approx. 0 Ω



SYMPTOM DIAGNOSIS

NAVIGATION SYSTEM

Symptom Table

INFOID:000000006931241

RELATED TO NAVIGATION

NOTE:

Combined part of AV switch and NAVI control unit.

Symptoms	Check items	Probable malfunction location / Action to take
Display does not turn ON.	All switches cannot be operated.	NAVI control unit power supply and ground circuit. Refer to AV-109, "NAVI CONTROL UNIT : Diagnosis Procedure" .
	All switches can be operated.	NAVI control unit
All switches cannot be operated.	Display does not turn ON.	NAVI control unit power supply and ground circuit. Refer to AV-109, "NAVI CONTROL UNIT : Diagnosis Procedure" .
	Display turn ON.	NAVI control unit
Only specified switch cannot be operated.	–	NAVI control unit
Map screen is not displayed. (RGB image other than map is normal.)	• Check that the map SD-card is in the SD-card slot. • Check "SD Card Access" in "SERVICE SYSTEM SELF TEST", "SERVICE MENU".	"OK" is displayed for "SD Card Access". "OK" is not displayed for "SD Card Access".
		Map SD-card • NAVI control unit • Map SD-card
Voice guidance is not heard.	Audio sound is normal.	NAVI control unit
Display does not dim.	Check "Illumination Signal" in "SERVICE SYSTEM STATUS", "SERVICE MENU".	"Illumination Signal" reaches 100% when the lighting switch is ON.
		"Illumination Signal" does not reach 100% when the lighting switch is ON.
Vehicle icon does not move.	Check "Speed Signal" in "SERVICE SYSTEM STATUS", "SERVICE MENU".	A value of "Speed Signal" changes according to vehicle speeds.
		A value of "Speed Signal" does not change according to vehicle speeds.
Map matching is not complete GPS icon is not displayed	Check "GPS Antenna" in "SERVICE SYSTEM SELF TEST", "SERVICE MENU".	"Connected" is displayed for "GPS Antenna".
		"Connected" is not displayed for "GPS Antenna".
Traffic information (XM Traffic) is not received.	Check "XM Antenna" in "SERVICE SYSTEM SELF TEST", "SERVICE MENU".	"Detected" is displayed for "XM Antenna".
		"Detected" is not displayed for "XM Antenna".

RELATED TO AUDIO

NAVIGATION SYSTEM

< SYMPTOM DIAGNOSIS >

[AUDIO WITH NAVIGATION]

Symptoms	Check items		Probable malfunction location / Action to take
Audio sound is not heard.	No sound from all speakers.		NAVI control unit power supply and ground circuit. Refer to AV-109, "NAVI CONTROL UNIT : Diagnosis Procedure" .
	Sound is not heard from woofer.		<ul style="list-style-type: none"> • Sound signal woofer circuit • Woofer amp. ON signal circuit. Refer to AV-111, "Diagnosis Procedure".
	Sound is heard only from specific places.		Sound signal circuit of suspect system.
AM/FM radio is not received.	<ul style="list-style-type: none"> • Other audio sounds are normal. • Check "Radio Antenna" in "SERVICE SYSTEM SELF TEST", "SERVICE MENU". 	"OK" is displayed for "Radio Antenna".	NAVI control unit
		"OK" is not displayed for "Radio Antenna".	<ul style="list-style-type: none"> • Antenna amp. ON signal circuit. • Antenna base • Antenna feeder
Speed sensitive volume system does not work.	Check "Speed Signal" in "SERVICE SYSTEM STATUS", "SERVICE MENU".	A value of "Speed Signal" changes according to vehicle speeds.	NAVI control unit
		A value of "Speed Signal" does not change according to vehicle speeds.	Vehicle speed signal circuit
Traffic information (XM Traffic) is not received.	Check "XM Antenna" in "SERVICE SYSTEM SELF TEST", "SERVICE MENU".	"Detected" is displayed for "XM Antenna".	NAVI control unit
		"Detected" is not displayed for "XM Antenna".	<ul style="list-style-type: none"> • Antenna base • Antenna feeder

RELATED TO USB

NOTE:

Check that there is no malfunction of USB equipment main body before performing a diagnosis.

Symptoms	Check items		Probable malfunction location / Action to take
iPod® or USB memory can not be recognized.	With iPod or USB memory Connected, check "USB Device" in "SERVICE STATUS", "SERVICE MENU".	iPod or USB memory name is displayed for "USB Device".	<ul style="list-style-type: none"> • USB and AUX harness • USB connector and AUX jack • NAVI control unit
		"Removed" is displayed for "USB Device".	<ul style="list-style-type: none"> • USB and AUX harness • USB connector and AUX jack

iPod® is a trademark of Apple inc., registered in the U.S. and other countries.


RELATED TO AUXILIARY INPUT

NOTE:

Check that there is no malfunction of AUX equipment main body before performing a diagnosis.

Symptoms	Check items	Probable malfunction location
No voice sound is heard when AUX mode is selected.	Voice sound is heard when other modes are selected.	<ul style="list-style-type: none"> • USB and AUX harness • USB connector and AUX jack

RELATED TO STEERING SWITCH

Symptoms	Possible malfunction location / Action to take
All steering switches are not operated.	Steering switch signal ground circuit. Refer to AV-121, "Diagnosis Procedure" .
Only specified switch cannot be operated.	Steering switch
"  ", "SEEK UP", "SEEK DOWN" and "SOURCE" switches are not operated.	Steering switch signal A circuit. Refer to AV-117, "Diagnosis Procedure" .

NAVIGATION SYSTEM

< SYMPTOM DIAGNOSIS >

[AUDIO WITH NAVIGATION]

Symptoms	Possible malfunction location / Action to take
“”, “VOL UP” and “VOL DOWN” switches are not operated.	Steering switch signal B circuit. Refer to AV-119. "Diagnosis Procedure" .
The steering switch operates improperly. (The above phenomena excluded.)	EQ2, EQ3 and EQ4 circuit

RELATED TO CAMERA

Symptoms	Check items	Probable malfunction location / Action to take
Camera image is not shown.	The guide line display is normal.	<ul style="list-style-type: none"> • Rear view camera image signal circuit • Rear view camera power supply and ground circuits Refer to AV-115. "Diagnosis Procedure" .
The screen is not switched to camera image.	Check “Direction Signal” in “SERVICE SYSTEM STATUS”, “SERVICE MENU”.	“Reverse” is displayed for “Direction Signal” when the shift lever is in R. NAVI control unit
		“Reverse” is not displayed for “Direction Signal” when the shift lever is in R. Reverse signal circuit
The guide line display is malfunctioning.	—	EQ2, EQ3 and EQ4 circuit

A
B
C
D
E
F
G
H
I
J
K
L
M

AV

O
P

HANDS-FREE PHONE SYMPTOMS

Symptom Table

INFOID:000000006931242

RELATED TO HANDS-FREE PHONE

- Check that the cellular phone is corresponding type (Bluetooth™ enabled) when the hands-free related malfunction vehicle is in service before performing a diagnosis.
- There is a case that malfunction occurs due to the version change of the phone type, etc. even though it is a corresponding type. Therefore, confirm it by changing the cellular phone to another corresponding type phone, and check that it operates normally. It is necessary to distinguish whether the cause is the vehicle or cellular phone. Check to ensure the customer's phone is supported by checking the phone compatibility for the hands-free system.

Simple Check for Bluetooth™ Communication

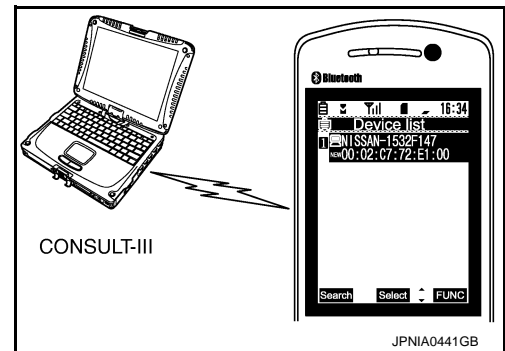
If cellular phone and TEL adapter unit cannot be connected with Bluetooth™ communication, following procedure allows the technician to judge which device has malfunction.

1. Turn on a cellular phone, not connecting Bluetooth™ communication.
2. Start CONSULT-III, then start Windows®.
3. Set CONSULT-III near a cellular phone.
4. When operated Bluetooth™ registration by cellular phone, check if CONSULT-III* would be displayed on the device name.
(If other Bluetooth™ device is located near cellular phone, a name of the device would be displayed also.)

NOTE:

*:Displayed device name is "NISSAN-*****".

- If no device name is displayed, cellular phone is malfunction. Repair the cellular phone first, then perform diagnosis.
- If CONSULT-III is displayed on device name, cellular phone is normal. Perform diagnosis as per the following table.



Trouble Diagnosis Chart by Symptom

Symptoms	Check items	Possible malfunction location/Action to take
Does not recognize cellular phone connection.	Repeat the registration of cellular phone.	TEL adapter unit
Hands-free phone cannot be established.	—	<ul style="list-style-type: none"> • TEL adapter unit power supply and ground circuit. Refer to AV-109, "TEL ADAPTER UNIT : Diagnosis Procedure". • Control signal circuit. Refer to AV-114, "Diagnosis Procedure". • AV communication circuit between NAVI control unit and TEL adapter unit.
The other party's voice cannot be heard by hands-free phone.	Audio system sound is normal.	Sound signal (TEL voice, TEL guidance) circuit
	Audio system sound does not sound.	Refer to AV-123, "Symptom Table" .
Originating sound is not heard by the other party with hands-free phone communication.	Voice recognition function is normal.	TEL adapter unit
	Voice recognition function does not work.	Microphone signal circuit. Refer to AV-112, "Diagnosis Procedure" .

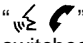

RELATED TO STEERING SWITCH

Symptoms	Possible malfunction location / Action to take
All steering switches are not operated.	Steering switch signal ground circuit. Refer to AV-121, "Diagnosis Procedure" .
Only specified switch cannot be operated.	Replace steering switch. Refer to AV-141, "Exploded View" .

HANDS-FREE PHONE SYMPTOMS

< SYMPTOM DIAGNOSIS >

[AUDIO WITH NAVIGATION]

Symptoms	Possible malfunction location / Action to take
 , "SEEK UP", "SEEK DOWN" and "SOURCE" switches are not operated.	Steering switch signal A circuit. Refer to AV-117, "Diagnosis Procedure" .
 , "VOL UP" and "VOL DOWN" switches are not operated.	Steering switch signal B circuit. Refer to AV-119, "Diagnosis Procedure" .
The steering switch operates improperly. (The above phenomena excluded.)	EQ2, EQ3 and EQ4 circuit

A
B
C
D
E
F
G
H
I
J
K
L
M
O
P

AV

NORMAL OPERATING CONDITION

< SYMPTOM DIAGNOSIS >

[AUDIO WITH NAVIGATION]

NORMAL OPERATING CONDITION

Description

INFOID:000000006931243

NOTE:

For Navigation system operation information, refer to Navigation system Owner's Manual.

BASIC OPERATIONS

Symptom	Possible cause	Possible solution
No image is displayed.	The brightness is at the lowest setting.	Adjust the brightness of the display.
	The display is turned off.	Press "☀/☾" to turn on the display.
No voice guidance is available or the volume is too high or too low.	The volume is not set correctly, or it is turned off.	Adjust the voice guidance volume level.
No map is displayed on the screen.	The map SD-card is not inserted.	Insert the map SD-card correctly.
	A screen other than map screen is displayed.	Press "MAP".
The screen is too dim. The movement is slow.	The temperature in the interior of the vehicle is low.	Wait until the interior of the vehicle has warmed up.
Some pixels in the display are darker or brighter than others.	This condition is an inherent characteristic of liquid crystal displays.	This is not a malfunction.
Some menu items cannot be selected.	Some menu items become unavailable while the vehicle is driven.	Park the vehicle in a safe location, and then operate the navigation system.

NOTE:

Locations stored in the Address Book and other memory functions may be lost if the vehicle's battery is disconnected or becomes discharged. If this occurs, service the vehicle's battery as necessary and re-enter the information in the Address Book.

RELATED TO AUDIO

- The majority of the audio malfunctions are the result of outside causes (bad CD/cassette, electromagnetic interference, etc.). Check the symptoms below to diagnose the malfunction.
- The vehicle itself can be a source of noise if noise prevention parts or electrical equipment is malfunctioning. Check if noise is caused and/or changed by engine speed, ignition switch turned to each position, and operation of each piece of electrical equipment, and then determine the cause.

NOTE:

- CD-R is not guaranteed to play because they can contain compressed audio (MP3, WMA) or could be incorrectly mastered by the customer on a computer.
- Check if the CDs carry the Compact Disc Logo. If not, the disc is not mastered to the "red book" Compact Disc Standard and may not play.

Symptom	Cause and Counter measure
Cannot play	Check if the CD was inserted correctly.
	Check if the CD is scratched or dirty.
	Check if there is condensation inside the player, and if there is, wait until the condensation is gone (about 1 hour) before using the player.
	If there is a temperature increase error, the player will play correctly after it returns to the normal temperature.
	If there is a mixture of music CD files (CD-DA data) and MP3/WMA files on a CD, only the music CD files (CD-DA data) will be played.
	Files with extensions other than ".MP3", ".WMA", ".mp3", or ".wma" cannot be played. In addition, the character codes and number of characters for folder names and file names should be in compliance with the specifications.
	Check if the disc or the file is generated in an irregular format, This may occur depending on the variation or the setting of MP3/WMA writing applications or other text editing applications.
	Check if the finalization process, such as session close and disc close, is done for the CD.
Check if the CD is protected by copyright.	

NORMAL OPERATING CONDITION

< SYMPTOM DIAGNOSIS >

[AUDIO WITH NAVIGATION]

Symptom	Cause and Counter measure
Poor sound quality	Check if the CD is scratched or dirty.
It takes a relatively long time before the music starts playing.	If there are many folder or file levels on the MP3/WMA CD, or if it is a multisession disc, some time may be required before the music starts playing.
Music cuts off or skips	The writing software and hardware combination might not match, or the writing speed, writing depth, writing width might not match the specifications. Try using the slowest writing speed.
Skipping with high bit rate files	Skipping may occur with large quantities if data such as for high bit rate data.
Move immediately to the next song when playing	When a non-MP3/WMA file has been given an extension of ".MP3", ".WMA", ".mp3" or ".wma", or when play is prohibited by copyright protection, the player will skip to the next song.
The songs do not play back in the desired order.	The playback order is the order in which the files were written by the software, so the files might not play in the desired order.

Noise resulting from variations in field strength, such as fading noise and multi-path noise, or external noise from trains and other sources, is not a malfunction.

NOTE:

- Fading noise: This noise occurs because of variations in the field strength in a narrow range due to mountains or buildings blocking the signal.
- Multi-path noise: This noise results from a time difference between the broadcast waves directly from the station arriving at the antenna and the waves reflected by mountains or buildings.

MAP SD-CARD

Symptom	Possible cause	Possible solution
The message "Error" appears.	The SD-card is not recognized by the system.	Check the map SD-card data. Files can be lost.
		If you see any damage, replace the map SD-card.

RELATED TO ROUTE CALCULATION AND VISUAL GUIDANCE

Symptom	Possible cause	Possible solution
Route information is not displayed.	Route calculation has not yet been performed.	Set the destination and perform route calculation.
	You are not driving on the suggested route.	Drive on the suggested route.
	Route guidance is cancelled.	Turn on the route guidance.
The auto reroute calculation (or detour calculation) suggests the same route as the one previously suggested.	Route calculations took priority conditions into consideration, but the same route was calculated.	This is not a malfunction.
The suggested route is not displayed.	Roads near the destination cannot be calculated.	Reset the destination to a main or ordinary road, and recalculate the route.
	The starting point and destination are too close.	Set a more distant destination.
	The starting point and destination are too far away.	Divide your trip by selecting one or two intermediate destinations, and perform a global route calculation based on multiple route calculations.
An indirect route is suggested.	If there are restrictions (such as one-way streets) on roads close to the starting point or destination, the system may suggest an indirect route.	Adjust the location of the starting point or destination.
	The system may suggest an indirect route because route calculation does not take into consideration some areas such as narrow streets.	Reset the destination to a main or ordinary road, and recalculate the route.

NORMAL OPERATING CONDITION

< SYMPTOM DIAGNOSIS >

[AUDIO WITH NAVIGATION]

Symptom	Possible cause	Possible solution
The landmark information does not correspond to the actual information.	This may be caused by insufficient or incorrect data on the map SD-card.	Updated information will be included in the next version of the map SD-card.
The suggested route does not exactly connect to the starting point, waypoints, or destination.	There is no data for route calculation closes to these locations.	Set the starting point, waypoints and destination on a main road, and perform route calculation.

RELATED TO VEHICLE ICON

Symptom	Possible cause	Possible solution
Names of roads and locations differ between 2D and 3D view.	This is because the quantity of the displayed information is reduced so that the screen does not become difficult to read. There is also a chance that the names of roads or locations may be displayed several times, and that the names appearing on the screen may be different because of a processing procedure.	This is not a malfunction.
The vehicle icon is not displayed in the correct position.	The vehicle was transported after the ignition switch was pressed off, for example, by a ferry or car transporter.	Drive the vehicle for a while on a road where GPS signals can be received.
	The position and direction of the vehicle icon may be incorrect depending on the driving environments and the levels of positioning accuracy of the navigation system.	This is not a malfunction. Drive the vehicle for a while to automatically correct the position and direction of the vehicle icon.
When the vehicle is travelling on a new road, the vehicle icon is located on another nearby road.	The system automatically places the vehicle icon on the nearest available road, because the new road is not stored in the map data.	Updated road information will be included in the next version of the map SD-card.
The screen does not switch to the night screen even after turning on the headlights.	The daytime screen was set the last time the headlights were turned on.	Set the screen to the night screen mode using <Day/Night> when you turn on the headlights.
The map does not scroll even when the vehicle is moving.	The current location map screen is not displayed.	Press "MAP".
The vehicle icon is not displayed.	The current location map screen is not displayed.	Press "MAP".
The location of the vehicle icon is misaligned from the actual position.	When using tire chains or replacing the tires, speed calculations based on the speed sensor may be incorrect.	Drive the vehicle for a while [at approximately 30 km/h (19 MPH) for about 30 minutes] to automatically correct the vehicle icon position.
	The map data has an error or is incomplete (the vehicle icon position is always misaligned in the same area).	Updated road information will be included in the next version of the map SD-card.

RELATED TO VOICE GUIDANCE

Symptom	Possible cause	Possible solution
Voice guidance is not available	In some cases, voice guidance is not available even when the vehicle should make a turn.	This is not a malfunction.
	The vehicle has deviated from the suggested route.	Go back to the suggested route or request route calculation again
	Voice guide is set to off.	Turn voice guidance ON.
	Route guidance is set to off.	Route guidance is set to ON.
The guidance contact does not correspond to the actual condition.	The contact of voice guidance may vary, depending on the types of intersections at which turn are made.	Follow all traffic rules and regulations.

RELATED TO TRAFFIC INFORMATION

NORMAL OPERATING CONDITION

< SYMPTOM DIAGNOSIS >

[AUDIO WITH NAVIGATION]

Symptom	Possible cause	Possible solution	A
The traffic information is not displayed	The traffic information is not set to on.	Set the traffic information to on.	A
	You are in an area where traffic information is not available	Scroll to an area where traffic information is available	B
	You have not subscribed to XM NavTraffic or, your subscription to XM NavTraffic has expired.	Check your subscription status of XM NavTraffic.	C
	The map scale is set at a level where the display of icons is impossible.	Check that the map scale is set at a level in which the display of icons is possible.	D
With the automatic detour route search ON, no detour route is set to avoid congested areas.	There is no faster route compared to the current route, based on the road network and traffic information.	The automatic detour search is not intended for avoiding traffic jams. It searches for the fastest route taking into consideration such things as traffic jams.	E
The route does not avoid road section with traffic information stating it is closed due to road construction.	The navigation system is designed not to avoid this event because the actual period of closure may differ from the declared roadwork period.	Observe the actual road condition and follow the instructions on road for detour when necessary. If the road closure is for certain, use detour function and set the detour distance to avoid the closed road section.	F
Traffic information displayed differs from information from other media (e.g. radio).	Other media may use different information sources.	Observe the actual road conditions and regulations. Always observe safe driving practices and follow all traffic regulations.	G

RELATED TO TELEPHONE

Symptoms	Cause and Counter measure	H
System fails to interpret the command correctly.	1. Ensure that the command format is valid.	I
	2. Ensure that the command is spoken after the tone.	J
	3. Speak clearly without pausing between words and at a level appropriate to the ambient noise level in the vehicle.	K
	4. Ensure that the ambient noise level is not excessive (for example, windows open or defroster on). NOTE: If it is too noisy to use the phone, it is likely that the voice commands will not be recognized.	L
	5. If more than one command was said at a time, try saying the commands separately.	M
	6. If the system consistently fails to recognize commands, the voice training procedure should be carried out to improve the recognition response for the speaker. Refer to AV-85, "Diagnosis Description" .	M
The system consistently selects the wrong entry from the phone book.	1. Ensure that the phone book entry name requested matches what was originally stored. This can be confirmed by using the "List Names" command.	M
	2. Replace one of the names being confused with a new name.	M

AV

O

P

REMOVAL AND INSTALLATION

NAVI CONTROL UNIT

Removal and Installation

INFOID:000000006931265

REMOVAL

1. Remove cluster lid C. Refer to [JP-12, "Exploded View"](#).
2. Remove NAVI control unit screws, then disconnect NAVI control unit connector and remove NAVI control unit.
3. Remove bracket screws to remove NAVI control unit.

INSTALLATION

Install in the reverse order of removal.

FRONT DOOR SPEAKER

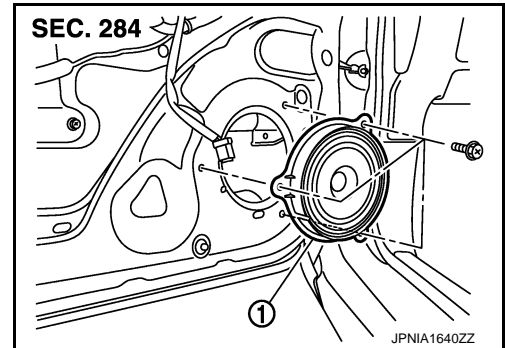
< REMOVAL AND INSTALLATION >

[AUDIO WITH NAVIGATION]

FRONT DOOR SPEAKER

Exploded View

INFOID:000000006931244



1. Front door speaker

Removal and Installation

INFOID:000000006931245

REMOVAL

1. Remove front door finisher. Refer to [INT-12. "Exploded View"](#).
2. Remove front door speaker screws, then disconnect front door speaker connector and remove front door speaker.

INSTALLATION

Install in the reverse order of removal.

A
B
C
D
E
F
G
H
I
J
K
L
M
O
P

AV

TWEETER

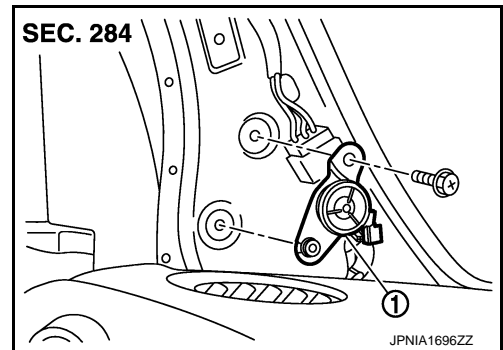
< REMOVAL AND INSTALLATION >

[AUDIO WITH NAVIGATION]

TWEETER

Exploded View

INFOID:000000006931246



1. Tweeter

Removal and Installation

INFOID:000000006931247

REMOVAL

1. Remove front pillar garnish. Refer to [INT-16, "Exploded View"](#).
2. Remove tweeter screw and clip, then disconnect tweeter connector and remove tweeter.

INSTALLATION

Install in the reverse order of removal.

REAR DOOR SPEAKER

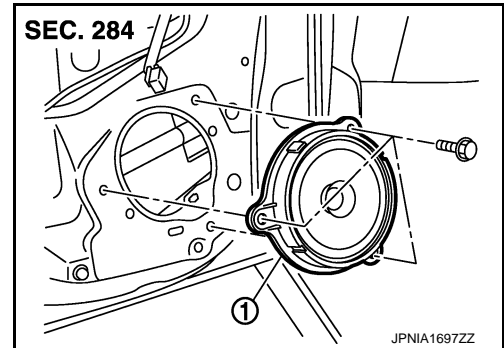
< REMOVAL AND INSTALLATION >

[AUDIO WITH NAVIGATION]

REAR DOOR SPEAKER

Exploded View

INFOID:000000006931248



1. Rear door speaker

Removal and Installation

INFOID:000000006931249

REMOVAL

1. Remove rear door finisher. Refer to [INT-14. "Exploded View"](#).
2. Remove rear door speaker screws, then disconnect rear door speaker connector and remove rear door speaker.

INSTALLATION

Install in the reverse order of removal.

A
B
C
D
E
F
G
H
I
J
K
L
M
O
P

AV

WOOFER

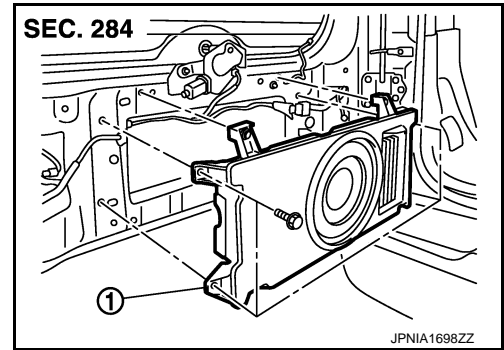
< REMOVAL AND INSTALLATION >

[AUDIO WITH NAVIGATION]

WOOFER

Exploded View

INFOID:000000006931250



1. Woofer

Removal and Installation

INFOID:000000006931251

REMOVAL

1. Remove back door finisher lower. Refer to [INT-27, "Exploded View"](#).
2. Remove screws and clips, then disconnect woofer connector and remove the woofer.

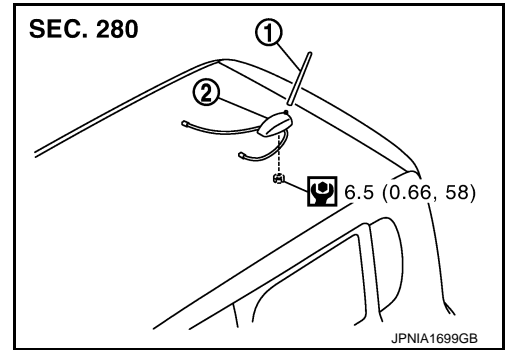
INSTALLATION

Install in the reverse order of removal.

ANTENNA BASE

Exploded View

INFOID:000000006931252



1. Antenna rod
2. Antenna base

Refer to [GI-4, "Components"](#) for symbols in the figure.

Removal and Installation

INFOID:000000006931253

REMOVAL

1. Remove luggage side upper finisher. Refer to [INT-24, "Exploded View"](#).
2. Remove assist grip and headlining clips. Refer to [INT-21, "Exploded View"](#).
3. Pull headlining (rear). Obtain a service area.
4. Remove antenna base mounting nut.
5. Remove antenna base.

INSTALLATION

Install in the reverse order of removal.

CAUTION:

If the antenna base mounting nut is tightened looser than the specified torque, then this will lower the sensitivity of the antenna. On the other hand, if the nut is tightened tighter than the specified torque, then this will deform the roof panel.

A
B
C
D
E
F
G
H
I
J
K
L
M
O
P

AV

GPS ANTENNA

Removal and Installation

INFOID:000000006931259

REMOVAL

1. Remove instrument panel. Refer to [IP-12. "Exploded View"](#).
2. Remove GPS antenna screw to remove GPS antenna.

INSTALLATION

Install in the reverse order of removal.

TEL ADAPTER UNIT

< REMOVAL AND INSTALLATION >

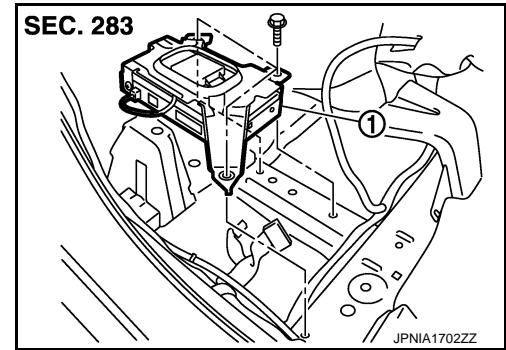
[AUDIO WITH NAVIGATION]

TEL ADAPTER UNIT

Exploded View

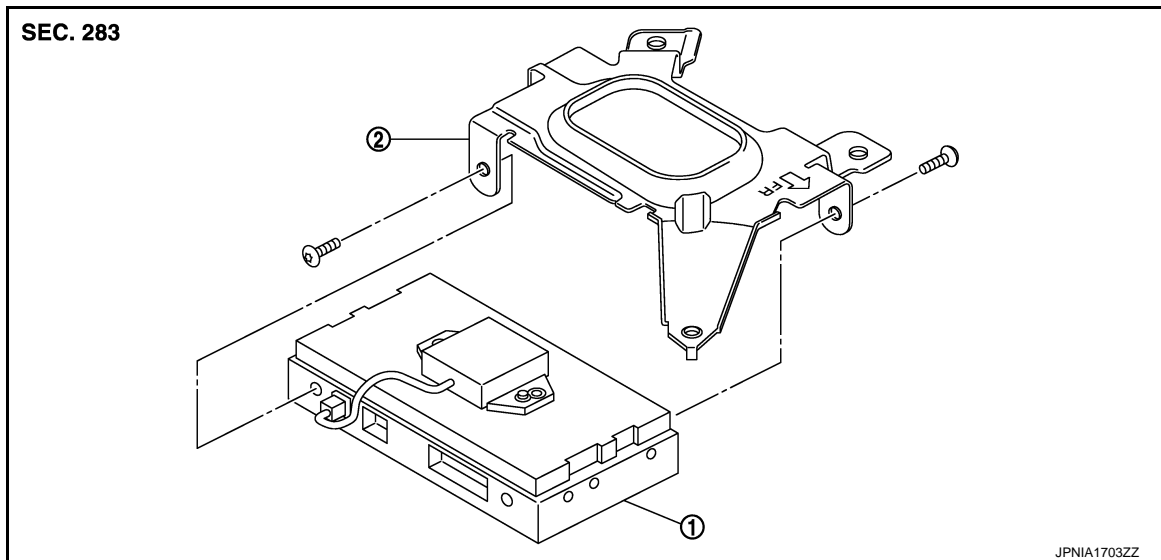
INFOID:000000006931254

REMOVAL



1. TEL adapter unit

DISASSEMBLY



1. TEL adapter unit
2. Bracket

Removal and Installation

INFOID:000000006931255

REMOVAL

1. Remove rear floor spacer RH. Refer to [INT-19. "Exploded View"](#).
2. Disconnect TEL adapter unit connector.
3. Remove TEL adapter unit screws, then remove TEL adapter unit.
4. Remove bracket screws, and then remove TEL adapter unit.

INSTALLATION

Install in the reverse order of removal.

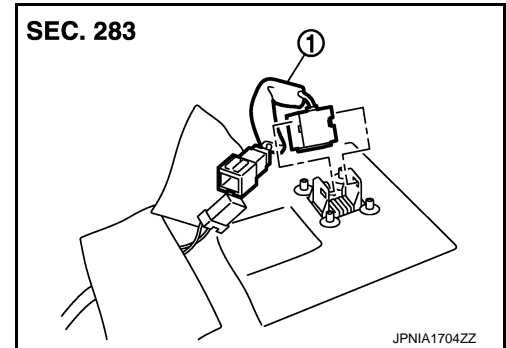
A
B
C
D
E
F
G
H
I
J
K
L
M
O
P

AV

MICROPHONE

Exploded View

INFOID:000000006931256



1. Microphone

Removal and Installation

INFOID:000000006931257

REMOVAL

1. Remove front pillar garnish LH and center pillar upper garnish LH. Refer to [INT-16. "Exploded View"](#).
2. Remove sunvisor assy, map lamp assy, assist grip LH, and inside mirror cover. Refer to [INT-21. "Exploded View"](#).
3. Pull headlining (left front). Obtain a service area.
4. Remove microphone connector and pawl to remove microphone.

INSTALLATION

Install in the reverse order of removal.

< REMOVAL AND INSTALLATION >

STEERING SWITCH

Exploded View

INFOID:000000006931262

Refer to [ST-8. "Exploded View"](#).

Removal and Installation

INFOID:000000006931263

REMOVAL

Refer to [ST-8. "Removal and Installation"](#).

INSTALLATION

Install in the reverse order of removal.

A

B

C

D

E

F

G

H

I

J

K

L

M

AV

O

P

REAR VIEW CAMERA

Removal and Installation

INFOID:000000006931260

REMOVAL

1. Remove back door finisher lower. Refer to [INT-27. "Exploded View"](#).
2. Disconnect rear view camera connector.
3. Remove rear view camera nuts to remove rear view camera.

INSTALLATION

Install in the reverse order of removal.

USB CONNECTOR AND AUX JACK

< REMOVAL AND INSTALLATION >

[AUDIO WITH NAVIGATION]

USB CONNECTOR AND AUX JACK

Removal and Installation

INFOID:000000006931261

REMOVAL

1. Remove instrument lower cover. Refer to [IP-12. "Exploded View"](#).
2. Push the pawl from the back of instrument lower cover to remove USB connector and AUX jack.

INSTALLATION

Install in the reverse order of removal.

A

B

C

D

E

F

G

H

I

J

K

L

M

AV

O

P

ANTENNA FEEDER

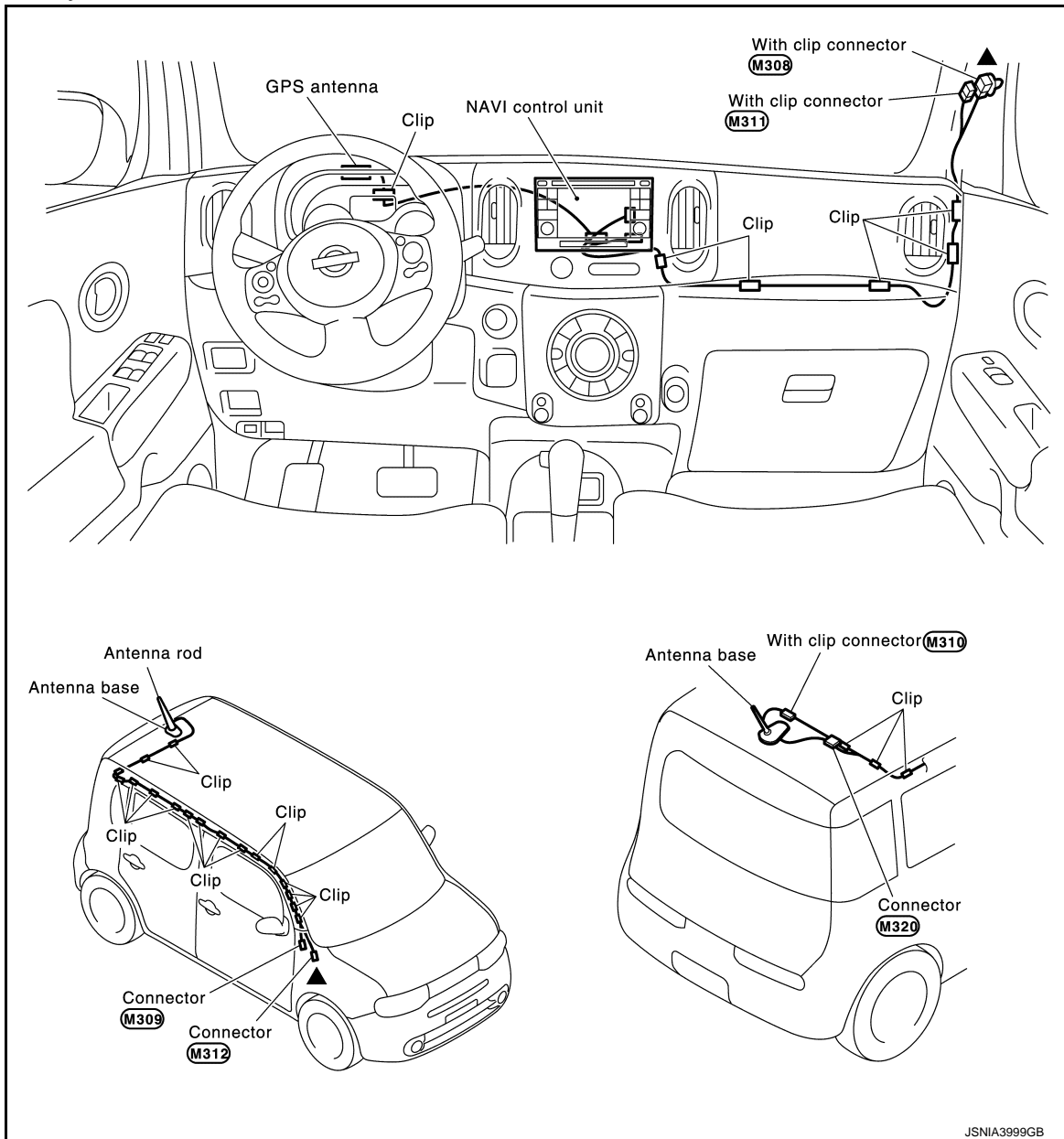
< REMOVAL AND INSTALLATION >

[AUDIO WITH NAVIGATION]

ANTENNA FEEDER

Feeder Layout

INFOID:00000006917568



JSNIA3999GB