

SECTION **PWO**
POWER OUTLET

A
B
C
D
E
F
G
H
I
J
K
L
N
O
P

CONTENTS

DTC/CIRCUIT DIAGNOSIS	2	Precaution for Supplemental Restraint System (SRS) "AIR BAG" and "SEAT BELT PRE-TENSIONER"	4
POWER SOCKET	2	REMOVAL AND INSTALLATION	5
Wiring Diagram - POWER SOCKET -	2	POWER SOCKET	5
PRECAUTION	4	Exploded View	5
PRECAUTIONS	4	Removal and Installation	5
		Disassembly and Assembly	5

PWO

POWER SOCKET

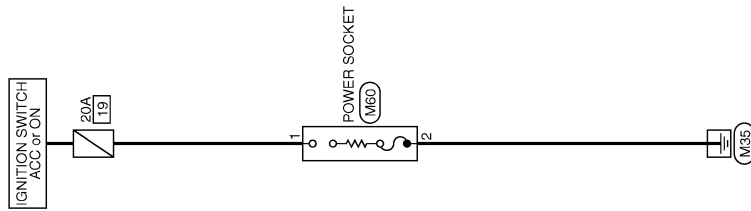
< DTC/CIRCUIT DIAGNOSIS >

DTC/CIRCUIT DIAGNOSIS

POWER SOCKET

Wiring Diagram - POWER SOCKET -

INFOID:000000006504830



POWER SOCKET

2009/10/02

JCMWM5303GB



POWER SOCKET

< DTC/CIRCUIT DIAGNOSIS >

A
B
C
D
E
F
G
H
I
J
K
L
P

POWER SOCKET

Connector No.	M6D
Connector Name	POWER SOCKET
Connector Type	PO2PE-2

Terminal No.	Color of Wire	Signal Name [Specification]
1	V	-
2	B	-

PWO

JCMWN0371GB

PRECAUTIONS

< PRECAUTION >

PRECAUTION

PRECAUTIONS

Precaution for Supplemental Restraint System (SRS) "AIR BAG" and "SEAT BELT PRE-TENSIONER"

INFOID:000000006504831

The Supplemental Restraint System such as "AIR BAG" and "SEAT BELT PRE-TENSIONER", used along with a front seat belt, helps to reduce the risk or severity of injury to the driver and front passenger for certain types of collision. This system includes seat belt switch inputs and dual stage front air bag modules. The SRS system uses the seat belt switches to determine the front air bag deployment, and may only deploy one front air bag, depending on the severity of a collision and whether the front occupants are belted or unbelted. Information necessary to service the system safely is included in the "SRS AIR BAG" and "SEAT BELT" of this Service Manual.

WARNING:

Always observe the following items for preventing accidental activation.

- To avoid rendering the SRS inoperative, which could increase the risk of personal injury or death in the event of a collision that would result in air bag inflation, all maintenance must be performed by an authorized NISSAN/INFINITI dealer.
- Improper maintenance, including incorrect removal and installation of the SRS, can lead to personal injury caused by unintentional activation of the system. For removal of Spiral Cable and Air Bag Module, see "SRS AIR BAG".
- Never use electrical test equipment on any circuit related to the SRS unless instructed to in this Service Manual. SRS wiring harnesses can be identified by yellow and/or orange harnesses or harness connectors.

PRECAUTIONS WHEN USING POWER TOOLS (AIR OR ELECTRIC) AND HAMMERS

WARNING:

Always observe the following items for preventing accidental activation.

- When working near the Air Bag Diagnosis Sensor Unit or other Air Bag System sensors with the ignition ON or engine running, never use air or electric power tools or strike near the sensor(s) with a hammer. Heavy vibration could activate the sensor(s) and deploy the air bag(s), possibly causing serious injury.
- When using air or electric power tools or hammers, always switch the ignition OFF, disconnect the battery, and wait at least 3 minutes before performing any service.

POWER SOCKET

< REMOVAL AND INSTALLATION >

REMOVAL AND INSTALLATION

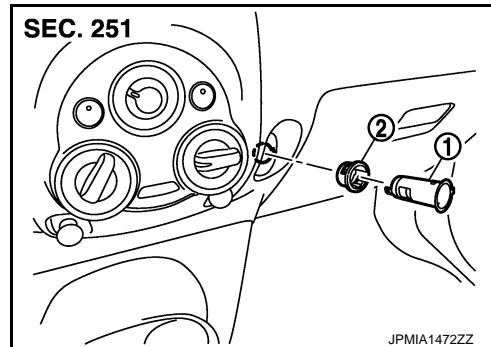
POWER SOCKET

Exploded View

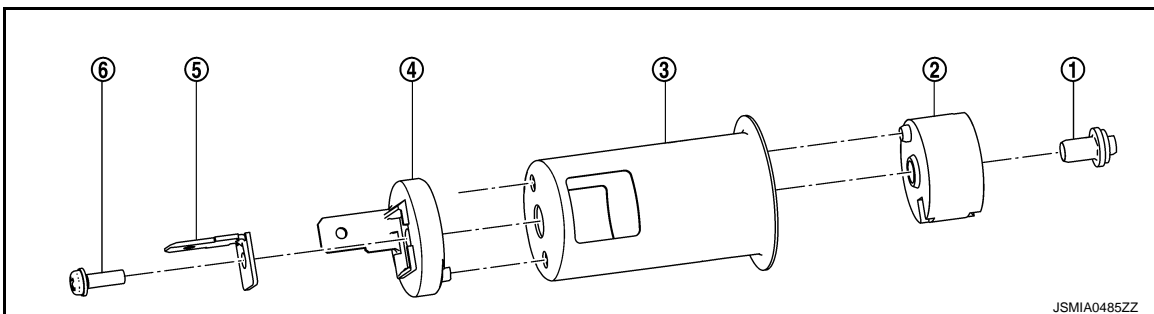
INFOID:000000006504832

REMOVAL

- 1 : Inner socket
- 2 : Ring



DISASSEMBLY



- 1. Shaft
- 2. Insulator
- 3. Socket
- 4. Thermal fuse
- 5. Terminal
- 6. Screw

Removal and Installation

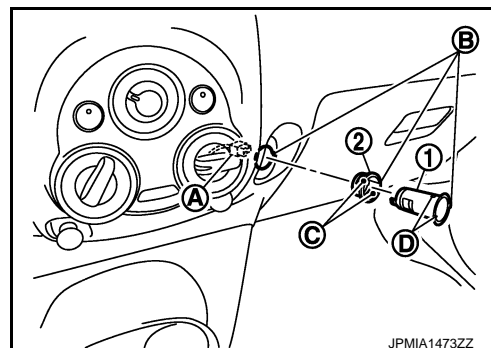
INFOID:000000006504833

REMOVAL

1. Remove glove box assembly. Refer to [IP-12, "Exploded View"](#).
2. Disconnect power socket connector (A).

B : Cut out

3. Pull out inner socket (1) by pushing the ring pawl (C) from the inner socket hole (square) (D).
4. Remove ring (2) from instrument panel while pressing pawls.



INSTALLATION

Install in the reverse order of removal.

NOTE:

Align the cut outs of inner socket, ring, and instrument panel.

Disassembly and Assembly

INFOID:000000006952030

DISASSEMBLY

A
B
C
D
E
F
G
H
I
J
K
L
N
O
P

PWO

POWER SOCKET

< REMOVAL AND INSTALLATION >

Remove screw to disassemble inner socket.

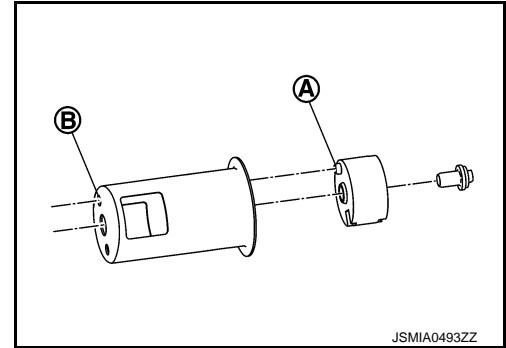
ASSEMBLY

Note the following, and install in the reverse order of removal.

1. Align locating pin (A) of insulator and locating hole (B) of socket.

CAUTION:

Insulator must be securely installed to socket.



2. Align locating pin (C) of thermal fuse and locating hole (D) of socket to tighten screw.

CAUTION:

After tightening the screw, check that there is no clearance between thermal fuse and socket.

