

A
B
C
D
E

SECTION **BRC**

BRAKE CONTROL SYSTEM

CONTENTS

		BRC
VDC/TCS/ABS		
BASIC INSPECTION	4	
DIAGNOSIS AND REPAIR WORKFLOW	4	
Work Flow	4	
Diagnostic Work Sheet	7	
ADDITIONAL SERVICE WHEN REPLACING ABS ACTUATOR AND ELECTRIC UNIT (CONTROL UNIT)	8	
Description	8	
Special Repair Requirement	8	
ADJUSTMENT OF STEERING ANGLE SEN- SOR NEUTRAL POSITION	9	
Description	9	
Special Repair Requirement	9	
SYSTEM DESCRIPTION	11	
VDC	11	
System Diagram	11	
System Description	11	
Component Parts Location	12	
Component Description	13	
TCS	14	
System Diagram	14	
System Description	14	
Component Parts Location	15	
Component Description	16	
ABS	17	
System Diagram	17	
System Description	17	
Component Parts Location	18	
Component Description	19	
EBD	20	
System Diagram	20	
System Description	20	
Component Parts Location	21	
Component Description	22	
DIAGNOSIS SYSTEM [ABS ACTUATOR AND ELECTRIC UNIT (CONTROL UNIT)]	23	
CONSULT Function	23	
DTC/CIRCUIT DIAGNOSIS	28	
C1101, C1102, C1103, C1104 WHEEL SEN- SOR	28	
Description	28	
DTC Logic	28	
Diagnosis Procedure	28	
Special Repair Requirement	30	
C1105, C1106, C1107, C1108 WHEEL SEN- SOR	31	
Description	31	
DTC Logic	31	
Diagnosis Procedure	31	
Special Repair Requirement	35	
C1109 POWER AND GROUND SYSTEM	36	
Description	36	
DTC Logic	36	
Diagnosis Procedure	36	
Special Repair Requirement	37	
C1110, C1153, C1170 ABS ACTUATOR AND ELECTRIC UNIT (CONTROL UNIT)	38	
DTC Logic	38	
Diagnosis Procedure	38	
Special Repair Requirement	38	
C1111 ABS MOTOR, MOTOR RELAY SYS- TEM	39	
Description	39	
DTC Logic	39	
Diagnosis Procedure	39	
Special Repair Requirement	40	

C1115 WHEEL SENSOR	41	C1155 BRAKE FLUID LEVEL SWITCH	67
Description	41	Description	67
DTC Logic	41	DTC Logic	67
Diagnosis Procedure	41	Diagnosis Procedure	67
Special Repair Requirement	45	Component Inspection	69
C1116 STOP LAMP SWITCH	46	Special Repair Requirement	69
Description	46	C1164, C1165 CV SYSTEM	70
DTC Logic	46	Description	70
Diagnosis Procedure	46	DTC Logic	70
Component Inspection	49	Diagnosis Procedure	70
Special Repair Requirement	50	Special Repair Requirement	71
C1120, C1122, C1124, C1126 IN ABS SOL	51	C1166, C1167 SV SYSTEM	72
Description	51	Description	72
DTC Logic	51	DTC Logic	72
Diagnosis Procedure	51	Diagnosis Procedure	72
Special Repair Requirement	52	Special Repair Requirement	73
C1121, C1123, C1125, C1127 OUT ABS SOL..	53	U1000 CAN COMM CIRCUIT	74
Description	53	Description	74
DTC Logic	53	DTC Logic	74
Diagnosis Procedure	53	Diagnosis Procedure	74
Special Repair Requirement	54	Special Repair Requirement	74
C1130 ENGINE SIGNAL	55	U1002 SYSTEM COMM (CAN)	75
Description	55	Description	75
DTC Logic	55	DTC Logic	75
Diagnosis Procedure	55	Diagnosis Procedure	75
Special Repair Requirement	55	Special Repair Requirement	76
C1140 ACTUATOR RELAY SYSTEM	57	POWER SUPPLY AND GROUND CIRCUIT	77
Description	57	Description	77
DTC Logic	57	Diagnosis Procedure	77
Diagnosis Procedure	57	PARKING BRAKE SWITCH	79
Special Repair Requirement	58	Description	79
C1142 PRESS SENSOR	59	Diagnosis Procedure	79
Description	59	Component Inspection	79
DTC Logic	59	VDC OFF SWITCH	81
Diagnosis Procedure	59	Description	81
Special Repair Requirement	60	Diagnosis Procedure	81
C1143 STEERING ANGLE SENSOR	61	Component Inspection	82
Description	61	Special Repair Requirement	82
DTC Logic	61	ABS WARNING LAMP	83
Diagnosis Procedure	61	Description	83
Special Repair Requirement	62	Component Function Check	83
C1144 INCOMPLETE STEERING ANGLE		Diagnosis Procedure	83
SENSOR ADJUSTMENT	63	Special Repair Requirement	83
Description	63	BRAKE WARNING LAMP	84
DTC Logic	63	Description	84
Diagnosis Procedure	63	Component Function Check	84
Special Repair Requirement	63	Diagnosis Procedure	84
C1145, C1146 YAW RATE/SIDE G SENSOR...	64	Special Repair Requirement	84
Description	64	VDC OFF INDICATOR LAMP	86
DTC Logic	64	Description	86
Diagnosis Procedure	64	Component Function Check	86
Special Repair Requirement	66		

Diagnosis Procedure	86	Precaution for Brake Control	103	
Special Repair Requirement	86	Precautions for Harness Repair	103	A
VDC WARNING LAMP	87	PREPARATION	105	
Description	87	PREPARATION	105	B
Component Function Check	87	Commercial Service Tools	105	
Diagnosis Procedure	87	REMOVAL AND INSTALLATION	106	C
Special Repair Requirement	87	WHEEL SENSOR	106	
ECU DIAGNOSIS INFORMATION	88	FRONT WHEEL SENSOR	106	D
ABS ACTUATOR AND ELECTRIC UNIT		FRONT WHEEL SENSOR : Exploded View	106	
(CONTROL UNIT)	88	FRONT WHEEL SENSOR : Removal and Instal-	106	E
Reference Value	88	lation	106	
Wiring Diagram	92	REAR WHEEL SENSOR	107	
Fail-Safe	92	REAR WHEEL SENSOR : Exploded View	107	
DTC Inspection Priority Chart	93	REAR WHEEL SENSOR : Removal and Installa-	107	BRC
DTC Index	94	tion	107	
SYMPTOM DIAGNOSIS	95	SENSOR ROTOR	108	G
EXCESSIVE ABS FUNCTION OPERATION		FRONT SENSOR ROTOR	108	
FREQUENCY	95	FRONT SENSOR ROTOR : Removal and Instal-	108	H
Diagnosis Procedure	95	lation	108	
UNEXPECTED PEDAL REACTION	96	FRONT SENSOR ROTOR : Disassembly and As-	108	
Diagnosis Procedure	96	sembly	108	
THE BRAKING DISTANCE IS LONG	97	REAR SENSOR ROTOR	108	I
Diagnosis Procedure	97	REAR SENSOR ROTOR : Removal and Installa-	108	
ABS FUNCTION DOES NOT OPERATE	98	tion	108	J
Diagnosis Procedure	98	REAR SENSOR ROTOR : Disassembly and As-	108	
PEDAL VIBRATION OR ABS OPERATION		sembly	108	
SOUND OCCURS	99	ABS ACTUATOR AND ELECTRIC UNIT		K
Diagnosis Procedure	99	(CONTROL UNIT)	109	
VEHICLE JERKS DURING VDC/TCS/ABS		Exploded View	109	
CONTROL	100	Removal and Installation	109	L
Diagnosis Procedure	100	Adjustment	110	
NORMAL OPERATING CONDITION	101	YAW RATE/SIDE G SENSOR	111	
Description	101	Exploded View	111	M
PRECAUTION	102	Removal and Installation	111	
PRECAUTIONS	102	STEERING ANGLE SENSOR	112	
Precaution for Supplemental Restraint System		Exploded View	112	N
(SRS) "AIR BAG" and "SEAT BELT PRE-TEN-		Removal and Installation	112	
SIONER"	102	Adjustment	112	
Precaution for Procedure without Cowl Top Cover.	102	VDC OFF SWITCH	113	O
Precaution for Brake System	102	Removal and Installation	113	
				P

BASIC INSPECTION

DIAGNOSIS AND REPAIR WORKFLOW

Work Flow

INFOID:000000007769736

PRECAUTIONS FOR DIAGNOSIS

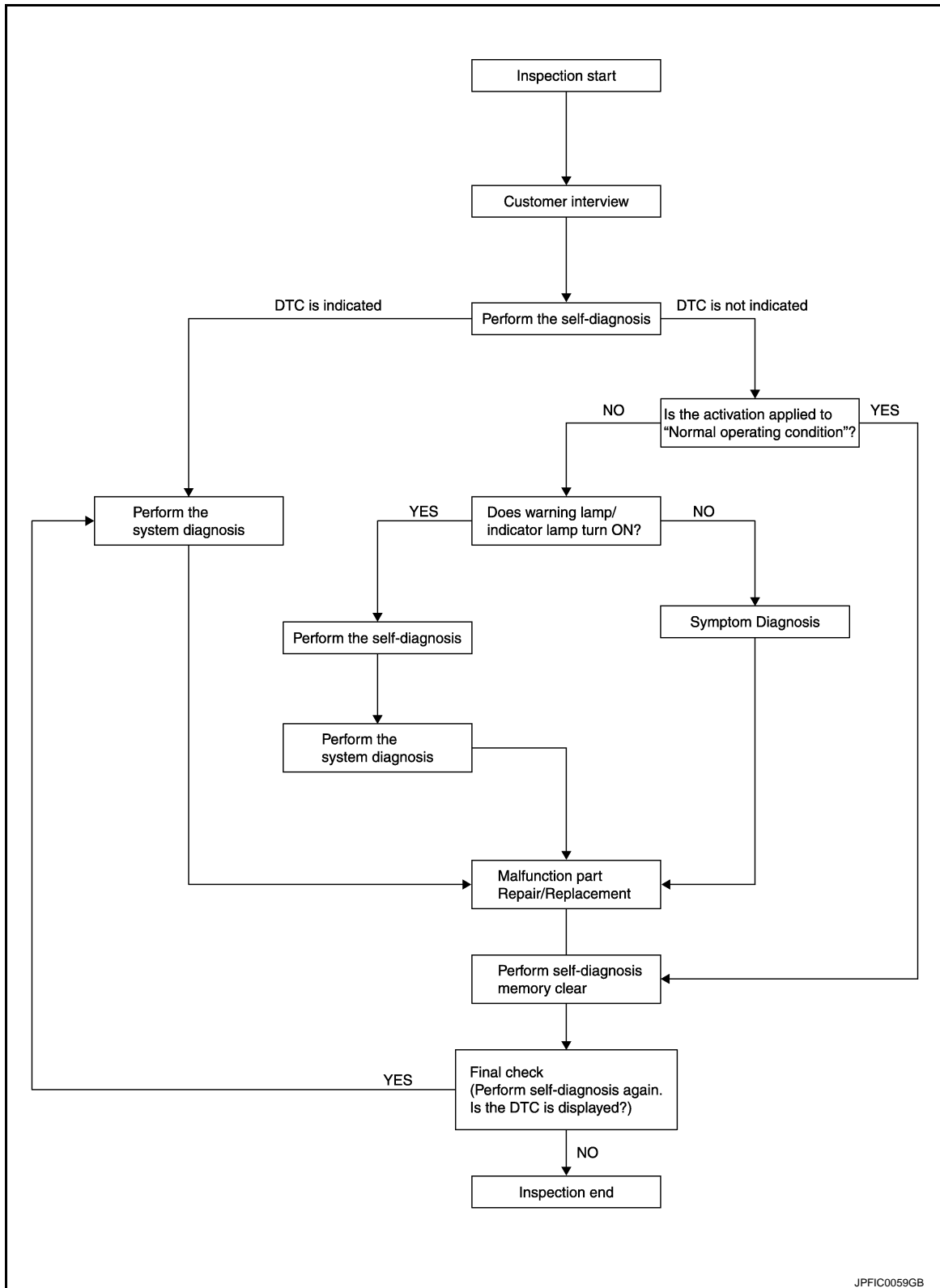
If steering angle sensor, steering system parts, suspension system parts, ABS actuator and electric unit (control unit) or tires have been replaced, or if wheel alignment has been adjusted, be sure to adjust neutral position of steering angle sensor before driving. Refer to [BRC-9, "Description"](#).

DIAGNOSIS AND REPAIR WORKFLOW

< BASIC INSPECTION >

[VDC/TCS/ABS]

OVERALL SEQUENCE



A
B
C
D
E
BRC
G
H
I
J
K
L
M
N
O
P

DETAILED FLOW

1. COLLECT THE INFORMATION FROM THE CUSTOMER

Get the detailed information from the customer about the symptom (the condition and the environment when the incident/malfunction occurred) using the diagnosis work sheet. Refer to [BRC-7, "Diagnostic Work Sheet"](#).

>> GO TO 2.

DIAGNOSIS AND REPAIR WORKFLOW

[VDC/TCS/ABS]

< BASIC INSPECTION >

2. PERFORM THE SELF-DIAGNOSIS

Perform self-diagnosis with CONSULT.

Is there any DTC displayed?

- YES >> Record or print self-diagnosis results and freeze frame data (FFD). GO TO 3.
- NO >> GO TO 4.

3. PERFORM THE SYSTEM DIAGNOSIS

Perform the diagnosis applicable to the displayed DTC for "ABS" with CONSULT. Refer to [BRC-94, "DTC Index"](#).

>> GO TO 7.

4. CHECK THE SYMPTOM THAT IS NOT CONSIDERED A SYSTEM MALFUNCTION

Check that the symptom is a normal operation that is not considered a system malfunction. Refer to [BRC-101, "Description"](#).

Is the symptom a normal operation?

- YES >> INSPECTION END
- NO >> GO TO 5.

5. CHECK THE WARNING LAMP AND INDICATOR LAMP FOR ILLUMINATION

Check that the warning lamp and indicator lamp illuminate.

- ABS warning lamp: refer to [BRC-83, "Description"](#).
- Brake warning lamp: refer to [BRC-84, "Description"](#).
- VDC OFF indicator lamp: refer to [BRC-86, "Description"](#).
- VDC warning lamp: refer to [BRC-87, "Description"](#).

Is ON/OFF timing normal?

- YES >> GO TO 6.
- NO >> GO TO 2.

6. PERFORM THE DIAGNOSIS BY SYMPTOM

Perform the diagnosis applicable to the symptom for "ABS" with CONSULT.

>> GO TO 7.

7. REPAIR OR REPLACE THE MALFUNCTIONING PARTS

Repair or replace the specified malfunctioning parts.

>> GO TO 8.

8. MEMORY CLEAR

Perform self-diagnosis memory clear for "ABS" with CONSULT.

>> GO TO 9.

9. FINAL CHECK

Perform the self-diagnosis again, and check that the malfunction is repaired completely.

Is no other DTC present and the repair completed?

- YES >> INSPECTION END
- NO >> GO TO 3.

DIAGNOSIS AND REPAIR WORKFLOW

< BASIC INSPECTION >

[VDC/TCS/ABS]

Diagnostic Work Sheet

INFOID:000000007769737

Customer name MR/MS	Model & Year	VIN	
Engine #	Trans.	Mileage	
Incident Date	Manuf. Date	In Service Date	
Symptoms	<input type="checkbox"/> Noise and vibration (from engine compartment) <input type="checkbox"/> Noise and vibration (from axle)	<input type="checkbox"/> Warning / Indicator activate	<input type="checkbox"/> Firm pedal operation Large stroke pedal operation
	<input type="checkbox"/> TCS does not work (Rear wheels slip when accelerating)	<input type="checkbox"/> ABS does not work (Wheels lock when braking)	<input type="checkbox"/> Lack of sense of acceleration
Engine conditions	<input type="checkbox"/> When starting <input type="checkbox"/> After starting		
Road conditions	<input type="checkbox"/> Low friction road (<input type="checkbox"/> Snow <input type="checkbox"/> Gravel <input type="checkbox"/> Other) <input type="checkbox"/> Bumps / potholes		
Driving conditions	<input type="checkbox"/> Full-acceleration <input type="checkbox"/> High speed cornering <input type="checkbox"/> Vehicle speed: Greater than 10 km/h (6 MPH) <input type="checkbox"/> Vehicle speed: 10 km/h (6 MPH) or less <input type="checkbox"/> Vehicle is stopped		
Applying brake conditions	<input type="checkbox"/> Suddenly <input type="checkbox"/> Gradually		
Other conditions	<input type="checkbox"/> Operation of electrical equipment <input type="checkbox"/> Shift change <input type="checkbox"/> Other descriptions		

SFIA3265E

A
B
C
D
E
BRC
G
H
I
J
K
L
M
N
O
P

ADDITIONAL SERVICE WHEN REPLACING ABS ACTUATOR AND ELECTRIC UNIT (CONTROL UNIT)

< BASIC INSPECTION >

[VDC/TCS/ABS]

ADDITIONAL SERVICE WHEN REPLACING ABS ACTUATOR AND ELECTRIC UNIT (CONTROL UNIT)

Description

INFOID:000000007769738

After replacing the ABS actuator and electric unit (control unit), perform the neutral position adjustment for the steering angle sensor.

Special Repair Requirement

INFOID:000000007769739

1.PERFORM THE NEUTRAL POSITION ADJUSTMENT FOR THE STEERING ANGLE SENSOR

Perform the neutral position adjustment for the steering angle sensor.

>> Refer to [BRC-9. "Special Repair Requirement"](#).

ADJUSTMENT OF STEERING ANGLE SENSOR NEUTRAL POSITION

< BASIC INSPECTION >

[VDC/TCS/ABS]

ADJUSTMENT OF STEERING ANGLE SENSOR NEUTRAL POSITION

Description

INFOID:000000007769740

When doing work that applies to the list below, make sure to adjust neutral position of steering angle sensor before running vehicle.

×: Required –: Not required

Situation	Adjustment of steering angle sensor neutral position
Removing/Installing ABS actuator and electric unit (control unit)	—
Replacing ABS actuator and electric unit (control unit)	×
Removing/Installing steering angle sensor	×
Replacing steering angle sensor	×
Removing/Installing steering components	×
Replacing steering components	×
Removing/Installing suspension components	×
Replacing suspension components	×
Removing/Installing tire	—
Change tires to new ones	—
Tire rotation	—
Adjusting wheel alignment	×

Special Repair Requirement

INFOID:000000007769741

ADJUSTMENT OF STEERING ANGLE SENSOR NEUTRAL POSITION

CAUTION:

To adjust neutral position of steering angle sensor, make sure to use CONSULT.
(Adjustment cannot be done without CONSULT.)

1. ALIGN THE VEHICLE STATUS

Stop vehicle with front wheels in straight-ahead position.

>> GO TO 2.

2. PERFORM THE NEUTRAL POSITION ADJUSTMENT FOR THE STEERING ANGLE SENSOR

1. Select "ABS", "WORK SUPPORT" and "ST ANGLE SENSOR ADJUSTMENT" in order with CONSULT.
2. Select "START".

CAUTION:

Never touch steering wheel while adjusting steering angle sensor.

3. After approximately 10 seconds, select "END".

NOTE:

After approximately 60 seconds, it ends automatically.

4. Turn the ignition switch OFF, then turn it ON again.

CAUTION:

Be sure to perform above operation.

>> GO TO 3.

3. CHECK DATA MONITOR

1. Run the vehicle with front wheels in straight-ahead position, then stop.
2. Select "ABS", "DATA MONITOR" and "STR ANGLE SIG" in order with CONSULT, and check steering angle sensor signal.

STR ANGLE SIG : 0±2.5°

Is the steering angle within the specified range?

ADJUSTMENT OF STEERING ANGLE SENSOR NEUTRAL POSITION

< BASIC INSPECTION >

[VDC/TCS/ABS]

YES >> GO TO 4.

NO >> Perform the neutral position adjustment for the steering angle sensor again, GO TO 1.

4. ERASE THE SELF-DIAGNOSIS MEMORY

Erase the self-diagnosis memories for "ABS" with CONSULT. Refer to [BRC-23. "CONSULT Function"](#).

Are the memories erased?

YES >> INSPECTION END

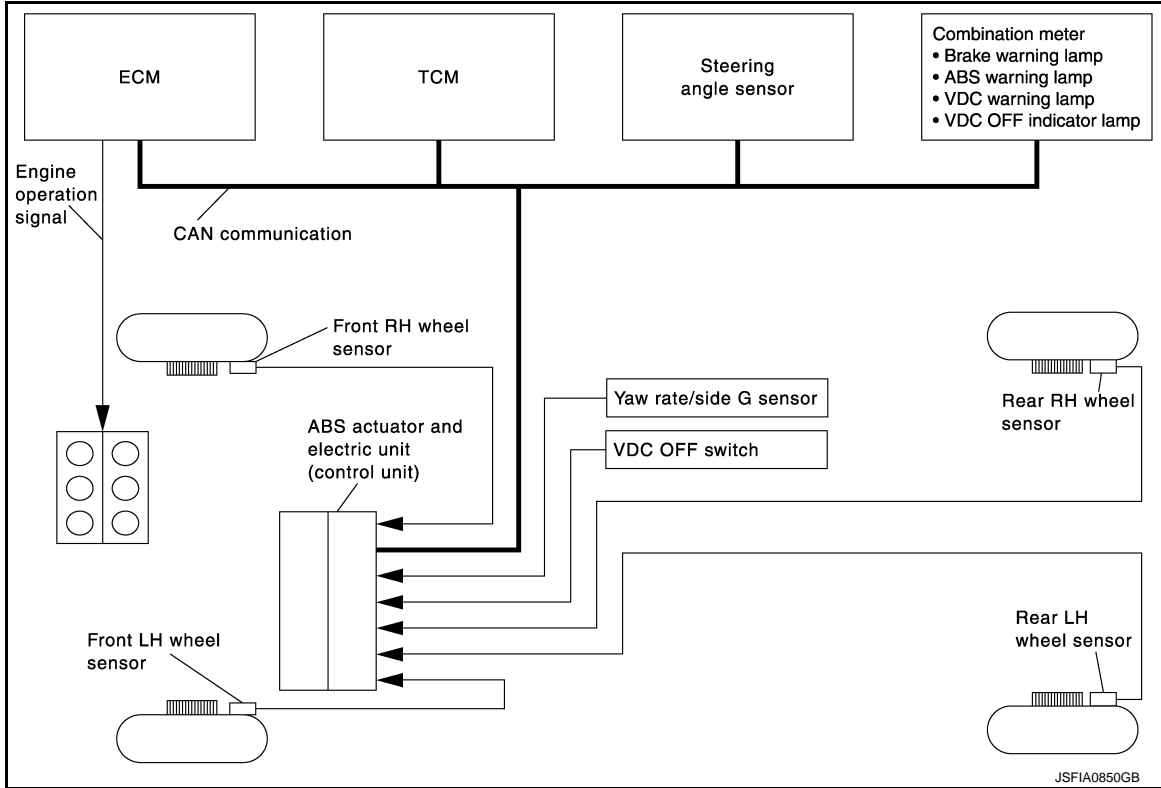
NO >> Check the items indicated by the self-diagnosis.

SYSTEM DESCRIPTION

VDC

System Diagram

INFOID:000000007769742

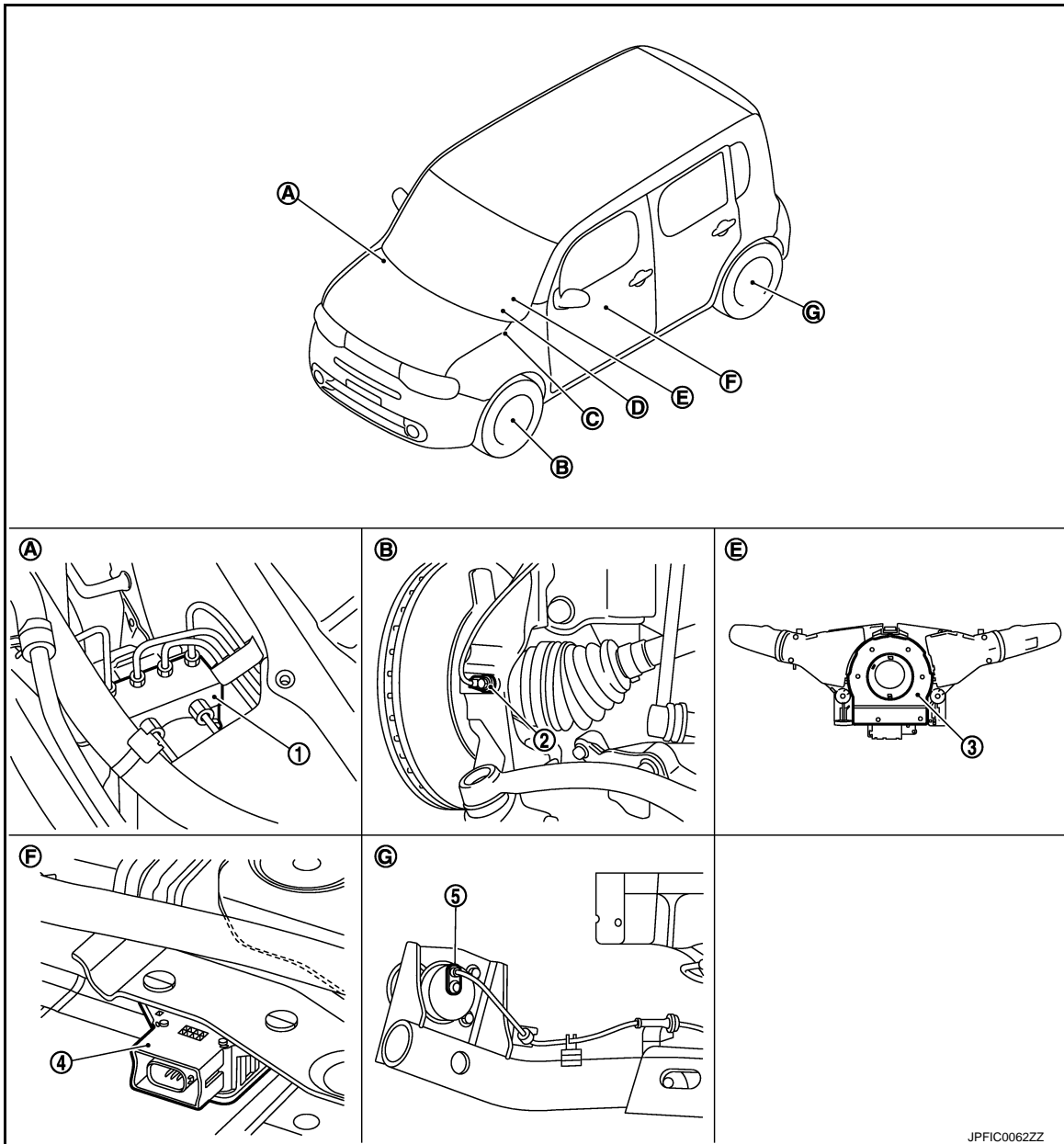


A
B
C
D
E
BRC
G
H
I
J
K
L
M
N
O
P

System Description

INFOID:000000007769743

- Vehicle Dynamics Control system detects driver's steering operation amount and brake pedal travel from steering angle sensor and pressure sensor. Using information from yaw rate/side G sensor and wheel sensor, VDC judges driving condition (conditions of under steer and over steer) to improve vehicle driving stability by controlling brake application to 4 wheels and engine output.
- During VDC operation, it informs driver of system operation by flashing VDC warning lamp.
- Electrical system diagnosis by CONSULT is available.



- | | | |
|---|----------------------------------|---|
| 1. ABS actuator and electric unit (control unit) | 2. Front wheel sensor | 3. Steering angle sensor |
| 4. Yaw rate/side G sensor | 5. Rear wheel sensor | |
| A. Engine room right side | B. Steering knuckle | C. VDC OFF switch: IP-12, "Exploded View" |
| D. ABS warning lamp, brake warning lamp, VDC OFF indicator lamp, VDC warning lamp: MWI-6, "METER SYSTEM : System Description" | E. Back of spiral cable assembly | F. Under front (left side) seat |
| G. Rear axle | | |

Component Description

INFOID:000000007769745

Component parts		Reference
ABS actuator and electric unit (control unit)	Pump	BRC-39, "Description"
	Motor	
	Actuator relay (main relay)	BRC-57, "Description"
	Solenoid valve	BRC-51, "Description"
	Pressure sensor	BRC-59, "Description"
	VDC switch-over valve (CV1, CV2)	BRC-70, "Description"
	VDC switch-over valve (SV1, SV2)	BRC-72, "Description"
Wheel sensor	BRC-28, "Description"	
Yaw rate/side G sensor	BRC-64, "Description"	
Steering angle sensor	BRC-61, "Description"	
VDC OFF switch	BRC-81, "Description"	
ABS warning lamp	BRC-83, "Description"	
Brake warning lamp	BRC-84, "Description"	
VDC OFF indicator lamp	BRC-86, "Description"	
VDC warning lamp	BRC-87, "Description"	

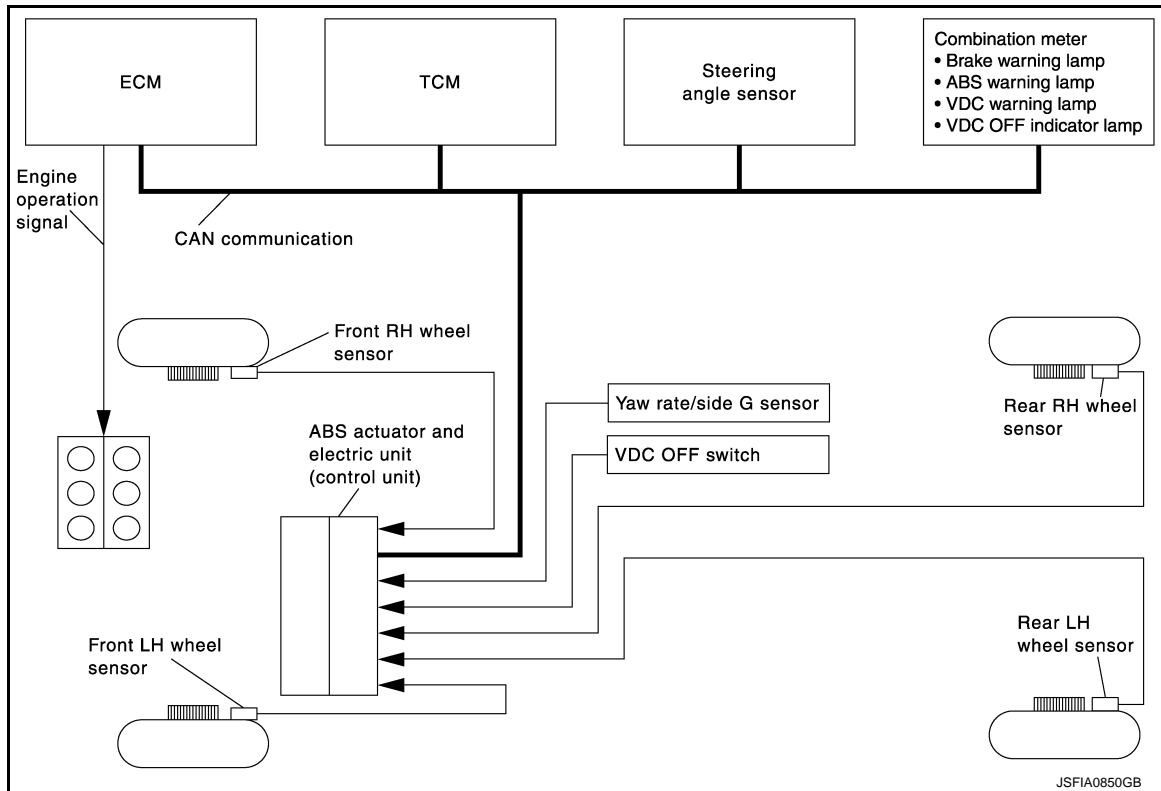
A
B
C
D
E
G
H
I
J
K
L
M
N
O
P

BRC

TCS

System Diagram

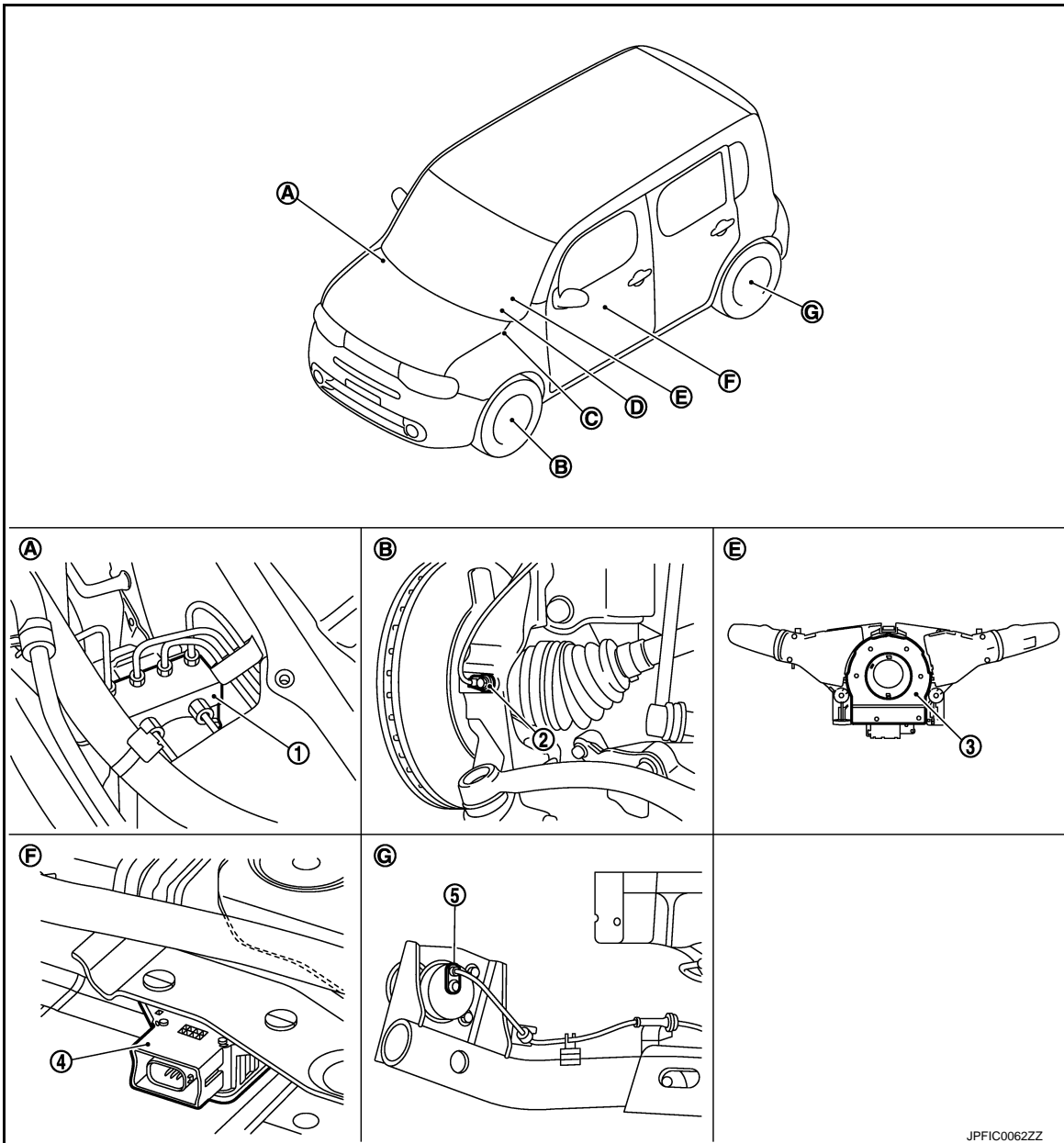
INFOID:000000007769746



System Description

INFOID:000000007769747

- Traction Control System is a function that electronically controls engine torque, brake fluid pressure and A/T gear position to ensure the optimum slippage ratio at drive wheels by computing wheel speed signals from 4 wheel sensors. When ABS actuator and electric unit (control unit) detects a spin at drive wheels (rear wheels), it compares wheel speed signals from all 4 wheels. At this time, LH and RH rear brake fluid pressure are controlled, while fuel being cut to engine and throttle valve being closed to reduce engine torque by the control unit. Further more, throttle position is continuously controlled to ensure the optimum engine torque at all times.
- During TCS operation, TCS informs driver of system operation by flashing VDC warning lamp.
- Electrical system diagnosis by CONSULT is available.



- | | | |
|---|----------------------------------|---|
| 1. ABS actuator and electric unit (control unit) | 2. Front wheel sensor | 3. Steering angle sensor |
| 4. Yaw rate/side G sensor | 5. Rear wheel sensor | |
| A. Engine room right side | B. Steering knuckle | C. VDC OFF switch: IP-12, "Exploded View" |
| D. ABS warning lamp, brake warning lamp, VDC OFF indicator lamp, VDC warning lamp: MWI-6, "METER SYSTEM : System Description" | E. Back of spiral cable assembly | F. Under front (left side) seat |
| G. Rear axle | | |

A
B
C
D
E
BRC
G
H
I
J
K
L
M
N
O
P

Component Description

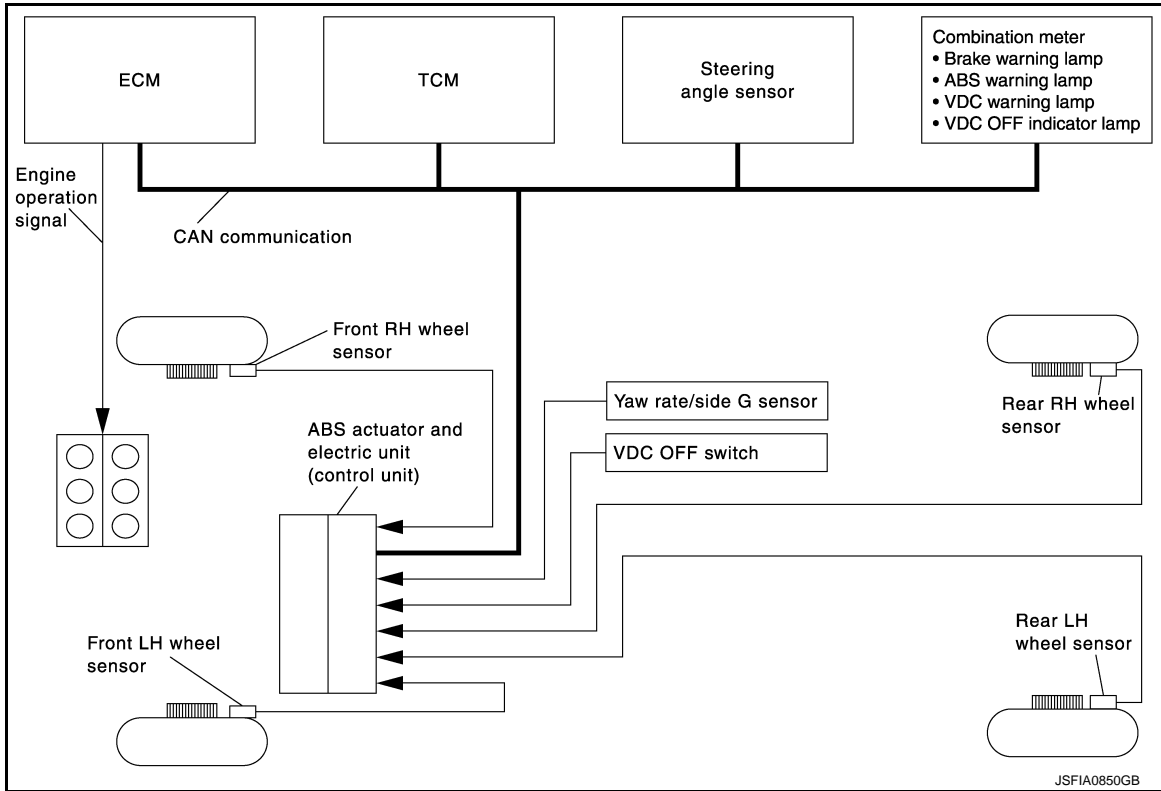
INFOID:000000007769749

Component parts		Reference
ABS actuator and electric unit (control unit)	Pump	BRC-39, "Description"
	Motor	
	Actuator relay (main relay)	BRC-57, "Description"
	Solenoid valve	BRC-51, "Description"
	Pressure sensor	BRC-59, "Description"
	VDC switch-over valve (CV1, CV2)	BRC-70, "Description"
	VDC switch-over valve (SV1, SV2)	BRC-72, "Description"
Wheel sensor	BRC-28, "Description"	
Yaw rate/side G sensor	BRC-64, "Description"	
Steering angle sensor	BRC-61, "Description"	
VDC OFF switch	BRC-81, "Description"	
ABS warning lamp	BRC-83, "Description"	
Brake warning lamp	BRC-84, "Description"	
VDC OFF indicator lamp	BRC-86, "Description"	
VDC warning lamp	BRC-87, "Description"	

ABS

System Diagram

INFOID:000000007769750



A

B

C

D

E

BRC

G

H

I

System Description

INFOID:000000007769751

- Anti-Lock Braking System detects wheel revolution while braking, electronically controls braking force, and prevents wheel locking during sudden braking. It improves handling stability and maneuverability for avoiding obstacles.
- Electrical system diagnosis by CONSULT is available.

J

K

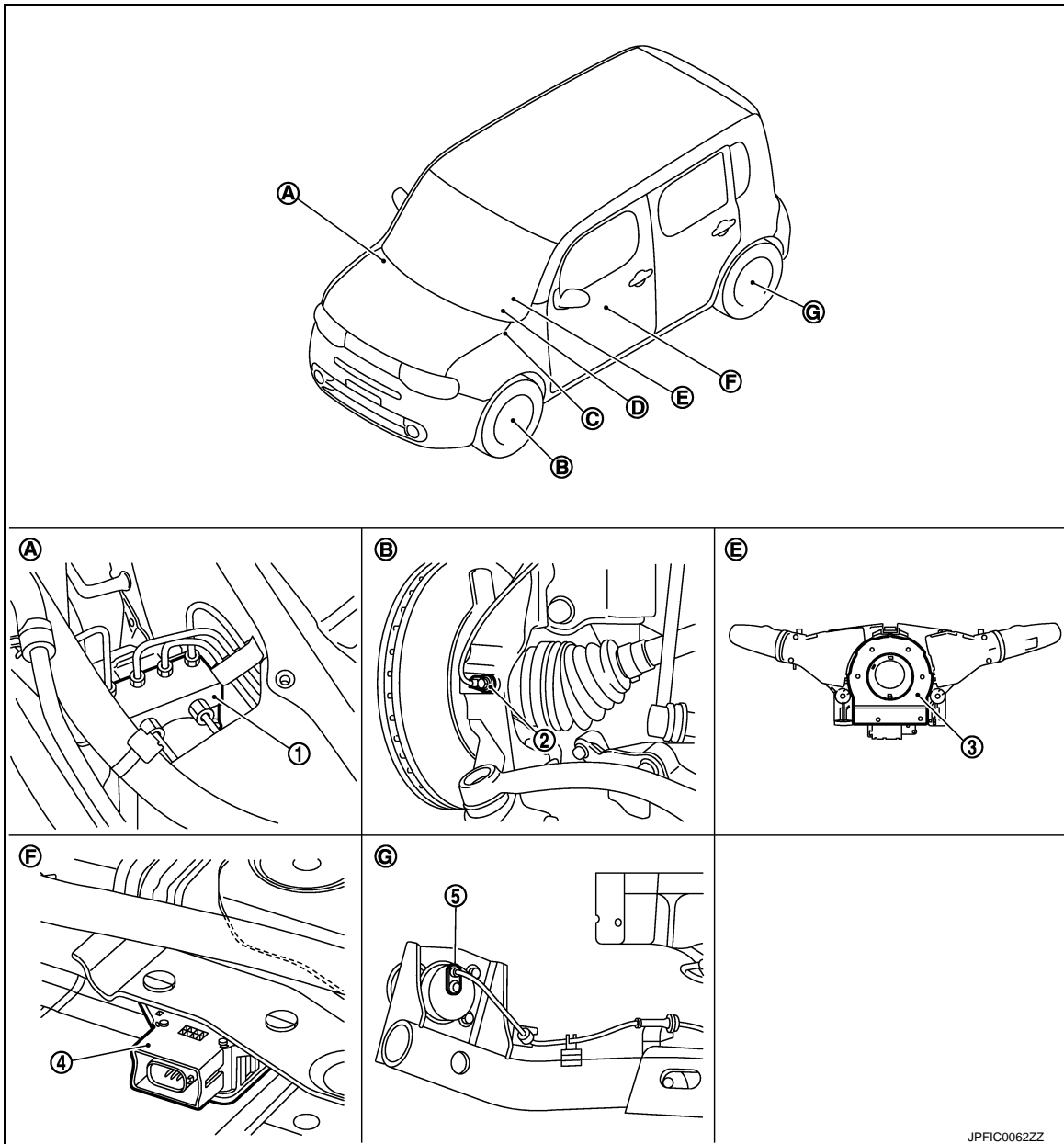
L

M

N

O

P



- | | | |
|---|----------------------------------|---|
| 1. ABS actuator and electric unit (control unit) | 2. Front wheel sensor | 3. Steering angle sensor |
| 4. Yaw rate/side G sensor | 5. Rear wheel sensor | |
| A. Engine room right side | B. Steering knuckle | C. VDC OFF switch: IP-12, "Exploded View" |
| D. ABS warning lamp, brake warning lamp, VDC OFF indicator lamp, VDC warning lamp: MWI-6, "METER SYSTEM : System Description" | E. Back of spiral cable assembly | F. Under front (left side) seat |
| G. Rear axle | | |

Component Description

INFOID:000000007769753

Component parts		Reference
ABS actuator and electric unit (control unit)	Pump	BRC-39, "Description"
	Motor	
	Actuator relay (main relay)	BRC-57, "Description"
	Solenoid valve	BRC-51, "Description"
	Pressure sensor	BRC-59, "Description"
	VDC switch-over valve (CV1, CV2)	BRC-70, "Description"
	VDC switch-over valve (SV1, SV2)	BRC-72, "Description"
Wheel sensor	BRC-28, "Description"	
Yaw rate/side G sensor	BRC-64, "Description"	
Steering angle sensor	BRC-61, "Description"	
VDC OFF switch	BRC-81, "Description"	
ABS warning lamp	BRC-83, "Description"	
Brake warning lamp	BRC-84, "Description"	
VDC OFF indicator lamp	BRC-86, "Description"	
VDC warning lamp	BRC-87, "Description"	

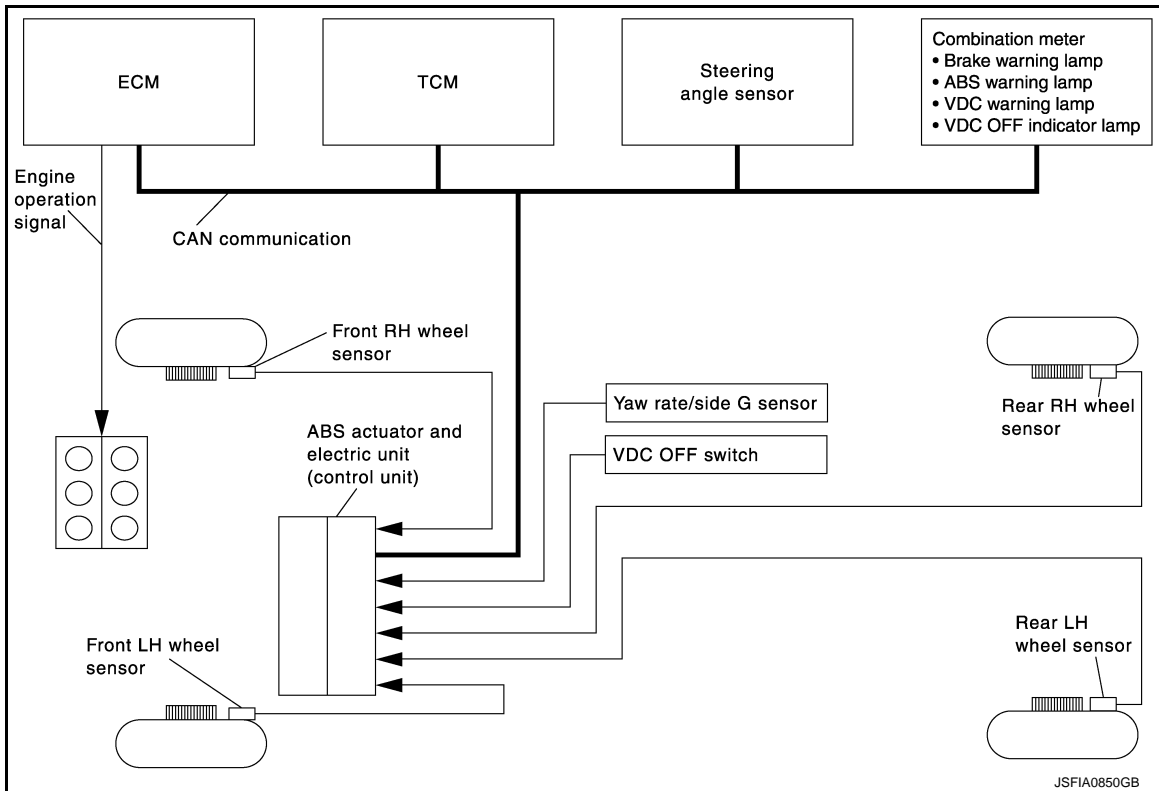
A
B
C
D
E
G
H
I
J
K
L
M
N
O
P

BRC

EBD

System Diagram

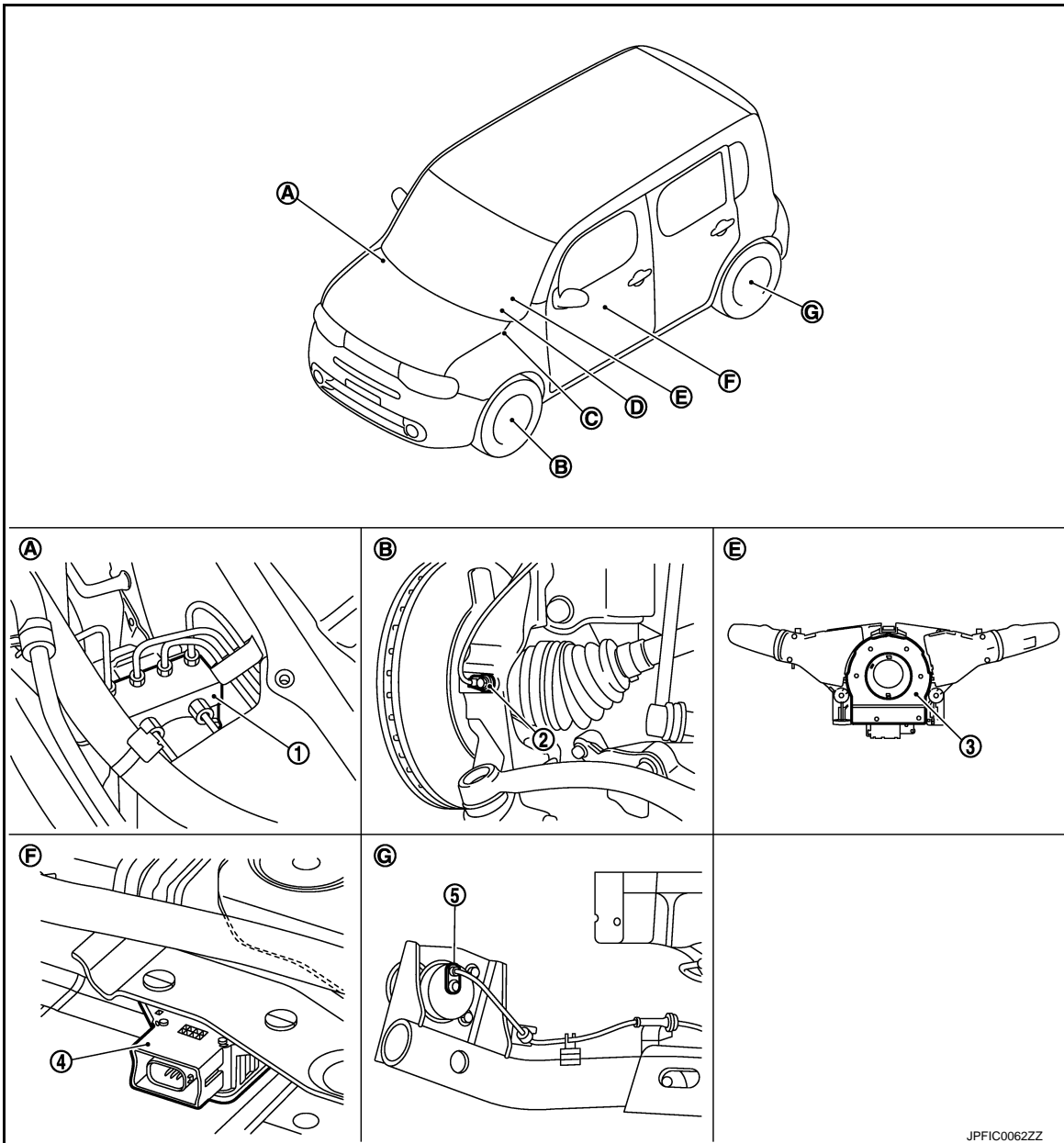
INFOID:000000007769754



System Description

INFOID:000000007769755

- Electric Brake force Distribution is a following function. ABS actuator and electric unit (control unit) detects subtle slippages between the front and rear wheels during braking. Then is electronically controls the rear braking force (brake fluid pressure) to reducing and reduces rear wheel slippage. Accordingly it improves vehicle stability.
- Electrical system diagnosis by CONSULT is available.



- | | | |
|---|----------------------------------|---|
| 1. ABS actuator and electric unit (control unit) | 2. Front wheel sensor | 3. Steering angle sensor |
| 4. Yaw rate/side G sensor | 5. Rear wheel sensor | |
| A. Engine room right side | B. Steering knuckle | C. VDC OFF switch: IP-12, "Exploded View" |
| D. ABS warning lamp, brake warning lamp, VDC OFF indicator lamp, VDC warning lamp: MWI-6, "METER SYSTEM : System Description" | E. Back of spiral cable assembly | F. Under front (left side) seat |
| G. Rear axle | | |

A
B
C
D
E
BRC
G
H
I
J
K
L
M
N
O
P

Component Description

INFOID:000000007769757

Component parts		Reference
ABS actuator and electric unit (control unit)	Pump	BRC-39, "Description"
	Motor	
	Actuator relay (main relay)	BRC-57, "Description"
	Solenoid valve	BRC-51, "Description"
	Pressure sensor	BRC-59, "Description"
	VDC switch-over valve (CV1, CV2)	BRC-70, "Description"
	VDC switch-over valve (SV1, SV2)	BRC-72, "Description"
Wheel sensor	BRC-28, "Description"	
Yaw rate/side G sensor	BRC-64, "Description"	
Steering angle sensor	BRC-61, "Description"	
VDC OFF switch	BRC-81, "Description"	
ABS warning lamp	BRC-83, "Description"	
Brake warning lamp	BRC-84, "Description"	
VDC OFF indicator lamp	BRC-86, "Description"	
VDC warning lamp	BRC-87, "Description"	

DIAGNOSIS SYSTEM [ABS ACTUATOR AND ELECTRIC UNIT (CONTROL UNIT)]

< SYSTEM DESCRIPTION >

[VDC/TCS/ABS]

DIAGNOSIS SYSTEM [ABS ACTUATOR AND ELECTRIC UNIT (CONTROL UNIT)]

CONSULT Function

INFOID:000000007769758

FUNCTION

CONSULT can display each diagnostic item using the diagnostic test modes shown following.

Diagnostic test mode	Function
Work support	This mode enables a technician to adjust some devices faster and more accurately by following the indications on CONSULT.
Self diagnostic result	Self-diagnostic results can be read and erased quickly.
Data monitor	Input/Output data in the ABS actuator and electric unit (control unit) can be read.
Active test	CONSULT drives some actuators apart from ABS actuator and electric unit (control unit) and also shifts some parameters in a specified range.
ECU identification	ABS actuator and electric unit (control unit) part number can be read.

WORK SUPPORT

Item	Description
ST ANGLE SENSOR ADJUSTMENT	Adjusts the neutral position of the steering angle sensor.

SELF DIAGNOSTIC RESULT

Operation Procedure

Before performing the self-diagnosis, start engine and drive vehicle at 30 km/h (19 MPH) or more for approximately 1 minute.

Display Item List

Refer to [BRC-94. "DTC Index"](#).

How to Erase Self-diagnosis Results

After erasing DTC memory for "ABS" with CONSULT, start the engine and drive the vehicle at 30 km/h (19 MPH) or more for approximately 1 minute as the final inspection, and make sure that the ABS warning lamp, VDC warning lamp and brake warning lamp turn OFF.

CAUTION:

If memory cannot be erased, perform applicable diagnosis.

NOTE:

- When the wheel sensor malfunctions, after inspecting the wheel sensor system, ABS warning lamp, VDC warning lamp and brake warning lamp will not turn OFF even when the system is normal unless the vehicle is driven at approximately 30 km/h (19 MPH) or more for approximately 1 minute.
- Brake warning lamp will turn ON in case of parking brake operation (when switch is ON) or in case of brake fluid level switch operation (when brake fluid is insufficient).
- VDC OFF switch should not stay "ON" position.

DATA MONITOR MODE

Display Item List

DIAGNOSIS SYSTEM [ABS ACTUATOR AND ELECTRIC UNIT (CONTROL UNIT)]

< SYSTEM DESCRIPTION >

[VDC/TCS/ABS]

×: Applicable ▼: Optional item

Monitor item (Unit)	SELECT MONITOR ITEM		Remarks
	ECU INPUT SIGNALS	MAIN SIGNALS	
FR LH SENSOR [km/h (MPH)]	×	×	Wheel speed
FR RH SENSOR [km/h (MPH)]	×	×	
RR LH SENSOR [km/h (MPH)]	×	×	
RR RH SENSOR [km/h (MPH)]	×	×	
BATTERY VOLT (V)	×	×	Battery voltage supplied to the ABS actuator and electric unit (control unit)
STOP LAMP SW (On/Off)	×	×	Stop lamp switch signal status
OFF SW (On/Off)	×	×	VDC OFF switch
GEAR	×	×	Gear position determined by TCM
SLCT LVR POSI	×	×	Shift lever position determined by TCM
YAW RATE SEN (d/s)	×	×	Yaw rate detected by yaw rate/side G sensor
FR RH IN SOL (On/Off) (Note)	▼	×	Operation status of each solenoid valve
FR RH OUT SOL (On/Off) (Note)	▼	×	
FR LH IN SOL (On/Off) (Note)	▼	×	
FR LH OUT SOL (On/Off) (Note)	▼	×	
RR RH IN SOL (On/Off) (Note)	▼	×	
RR RH OUT SOL (On/Off) (Note)	▼	×	
RR LH IN SOL (On/Off) (Note)	▼	×	
RR LH OUT SOL (On/Off) (Note)	▼	×	
MOTOR RELAY (On/Off)	▼	×	Motor and motor relay operation
ACTUATOR RLY (On/Off) (Note)	▼	×	Actuator relay operation
ABS WARN LAMP (On/Off)	▼	×	ABS warning lamp
OFF LAMP (On/Off)	▼	×	VDC OFF indicator lamp
SLIP/VDC LAMP (On/Off)	▼	×	VDC warning lamp
PRESS SENSOR (bar)	×	▼	Brake fluid pressure detected by pressure sensor
ACCEL POS SIG (%)	×	▼	Throttle actuator opening/closing is displayed (Linked with accelerator pedal)
SIDE G-SENSOR (m/s ²)	×	▼	Transverse G detected by yaw rate/side G sensor

DIAGNOSIS SYSTEM [ABS ACTUATOR AND ELECTRIC UNIT (CONTROL UNIT)]

< SYSTEM DESCRIPTION >

[VDC/TCS/ABS]

Monitor item (Unit)	SELECT MONITOR ITEM		Remarks	
	ECU INPUT SIGNALS	MAIN SIGNALS		
STR ANGLE SIG (°)	×	▼	Steering angle detected by steering angle sensor	A
ENGINE RPM [tr/min (rpm)]	×	▼	Engine speed	B
FLUID LEV SW (On/Off)	×	▼	Brake fluid level switch signal status	C
EBD WARN LAMP (On/Off)	▼	▼	Brake warning lamp	D
CV1 (On/Off)	▼	▼	VDC switch-over valve	E
CV2 (On/Off)	▼	▼		
SV1 (On/Off)	▼	▼		
SV2 (On/Off)	▼	▼		
EBD SIGNAL (On/Off)	▼	▼	EBD operation	G
ABS SIGNAL (On/Off)	▼	▼	ABS operation	H
TCS SIGNAL (On/Off)	▼	▼	TCS operation	I
VDC SIGNAL (On/Off)	▼	▼	VDC operation	I
EBD FAIL SIG (On/Off)	▼	▼	EBD fail-safe signal	J
ABS FAIL SIG (On/Off)	▼	▼	ABS fail-safe signal	J
TCS FAIL SIG (On/Off)	▼	▼	TCS fail-safe signal	K
VDC FAIL SIG (On/Off)	▼	▼	VDC fail-safe signal	L
CRANKING SIG (On/Off)	▼	▼	Crank operation	L
PARK BRAKE SW (On/Off)	×	▼	Parking brake switch signal status	M
V/R OUTPUT (On/Off)	▼	▼	Solenoid valve relay activated	N
M/R OUTPUT (On/Off)	▼	▼	Actuator motor and motor relay activated	N

BRC

NOTE:

A brief moment of On/Off condition occurs every 20 seconds after ignition switch turned ON. This is not malfunction because it is an operation for checking.

ACTIVE TEST MODE

CAUTION:

- **Never perform active test while driving vehicle.**
- **Make sure to completely bleed air from brake system.**
- **The active test cannot be started when ABS warning lamp, VDC warning lamp and brake warning lamp are ON.**
- **ABS warning lamp, VDC warning lamp and brake warning lamp are ON during active test.**

NOTE:

DIAGNOSIS SYSTEM [ABS ACTUATOR AND ELECTRIC UNIT (CONTROL UNIT)]

[VDC/TCS/ABS]

< SYSTEM DESCRIPTION >

- When active test is performed while depressing the pedal, the pedal depression amount will change. This is normal. (Only solenoid valve and ABS motor.)
- "TEST IS STOPPED" in "ABS" with CONSULT is displayed 10 seconds after operation start.
- After "TEST IS STOPPED" in "ABS" with CONSULT is displayed, to perform test again.

Test Item

ABS SOLENOID VALVE

- Select "Up", "Keep" and "Down" of "ACTIVE TEST" in "ABS" with CONSULT. Then use screen monitor to check that solenoid valve operates as shown in the table below.

Test item	Display item	Display (Note)		
		Up	Keep	Down
FR RH SOL	FR RH IN SOL	Off	On	On
	FR RH OUT SOL	Off	Off	On*
	CV2	Off	Off	Off
	SV2	Off	Off	Off
FR LH SOL	FR LH IN SOL	Off	On	On
	FR LH OUT SOL	Off	Off	On*
	CV1	Off	Off	Off
	SV1	Off	Off	Off
RR RH SOL	RR RH IN SOL	Off	On	On
	RR RH OUT SOL	Off	Off	On*
	CV1	Off	Off	Off
	SV1	Off	Off	Off
RR LH SOL	RR LH IN SOL	Off	On	On
	RR LH OUT SOL	Off	Off	On*
	CV2	Off	Off	Off
	SV2	Off	Off	Off

*: On for 1 to 2 seconds after the select, and then Off.

NOTE:

A brief moment of On/Off condition occurs every 20 seconds after ignition switch turned ON. This is not malfunction because it is an operation for checking.

ABS SOLENOID VALVE (ACT)

- Select "Up", "ACT UP" and "ACT KEEP" of "ACTIVE TEST" in "ABS" with CONSULT. Then use screen monitor to check that solenoid valve operates as shown in the table below.

Test item	Display item	Display (Note)		
		Up	ACT UP	ACT KEEP
FR RH ABS SOLENOID (ACT)	FR RH IN SOL	Off	Off	Off
	FR RH OUT SOL	Off	Off	Off
	CV2	Off	On	On
	SV2	Off	On*	Off
FR LH ABS SOLENOID (ACT)	FR LH IN SOL	Off	Off	Off
	FR LH OUT SOL	Off	Off	Off
	CV1	Off	On	On
	SV1	Off	On*	Off

DIAGNOSIS SYSTEM [ABS ACTUATOR AND ELECTRIC UNIT (CONTROL UNIT)]

< SYSTEM DESCRIPTION >

[VDC/TCS/ABS]

Test item	Display item	Display (Note)		
		Up	ACT UP	ACT KEEP
RR RH ABS SOLENOID (ACT)	RR RH IN SOL	Off	Off	Off
	RR RH OUT SOL	Off	Off	Off
	CV1	Off	On	On
	SV1	Off	On*	Off
RR LH ABS SOLENOID (ACT)	RR LH IN SOL	Off	Off	Off
	RR LH OUT SOL	Off	Off	Off
	CV2	Off	On	On
	SV2	Off	On*	Off

A
B
C
D
E
G
H
I
J
K
L
M
N
O
P

BRC

*: On for 1 to 2 seconds after the select, and then Off.

NOTE:

A brief moment of On/Off condition occurs every 20 seconds after ignition switch turned ON. This is not malfunction because it is an operation for checking.

ABS MOTOR

- Select "On" and "Off" of "ACTIVE TEST" in "ABS" with CONSULT. Make sure motor relay and actuator relay operates as shown in table below.

Test item	Display item	Display	
		On	Off
ABS MOTOR	MOTOR RELAY	On	Off
	ACTUATOR RLY (Note)	On	On

NOTE:

A brief moment of On/Off condition occurs every 20 seconds after ignition switch turned ON. This is not malfunction because it is an operation for checking.

ECU IDENTIFICATION

ABS actuator and electric unit (control unit) part number can be read.

C1101, C1102, C1103, C1104 WHEEL SENSOR

< DTC/CIRCUIT DIAGNOSIS >

[VDC/TCS/ABS]

DTC/CIRCUIT DIAGNOSIS

C1101, C1102, C1103, C1104 WHEEL SENSOR

Description

INFOID:000000007769759

When the sensor rotor rotates, the magnetic field changes. It converts the magnetic field changes to current signals (rectangular wave) and transmits them to the ABS actuator and electric unit (control unit).

DTC Logic

INFOID:000000007769760

DTC DETECTION LOGIC

DTC	Display item	Malfunction detected condition	Possible cause
C1101	RR RH SENSOR-1	Circuit of rear RH wheel sensor is open. Or when the sensor power voltage is outside the standard.	<ul style="list-style-type: none">• Harness or connector• Wheel sensor• ABS actuator and electric unit (control unit)• Sensor rotor
C1102	RR LH SENSOR-1	Circuit of rear LH wheel sensor is open. Or when the sensor power voltage is outside the standard.	
C1103	FR RH SENSOR-1	Circuit of front RH wheel sensor is open. Or when the sensor power voltage is outside the standard.	
C1104	FR LH SENSOR-1	Circuit of front LH wheel sensor is open. Or when the sensor power voltage is outside the standard.	

DTC CONFIRMATION PROCEDURE

1. PRECONDITIONING

If "DTC CONFIRMATION PROCEDURE" has been previously conducted, always turn ignition switch OFF and wait at least 10 seconds before conducting the next test.

>> GO TO 2.

2. DTC REPRODUCTION PROCEDURE

1. Start the engine and drive the vehicle at 30 km/h (19 MPH) or more for approximately 1 minute.
2. Perform self-diagnosis for "ABS" with CONSULT.

Is DTC "C1101", "C1102", "C1103" or "C1104" detected?

- YES >> Proceed to diagnosis procedure. Refer to [BRC-28, "Diagnosis Procedure"](#).
NO >> INSPECTION END

Diagnosis Procedure

INFOID:000000007769761

CAUTION:

Never check between wheel sensor harness connector terminals.

1. CHECK WHEEL SENSOR

1. Turn the ignition switch OFF.
2. Check wheel sensor for damage.

Is the inspection result normal?

- YES >> GO TO 3.
NO >> GO TO 2.

2. REPLACE WHEEL SENSOR (1)

1. Replace wheel sensor.
 - Front: Refer to [BRC-106, "FRONT WHEEL SENSOR : Removal and Installation"](#).
 - Rear: Refer to [BRC-107, "REAR WHEEL SENSOR : Removal and Installation"](#).
2. Erase Self-diagnosis result for "ABS".
3. Turn the ignition switch OFF, and wait 10 seconds or more.
4. Start the engine.
5. Drive the vehicle at approx. 30 km/h (19 MPH) or more for approx. 1 minute.
6. Stop the vehicle.

C1101, C1102, C1103, C1104 WHEEL SENSOR

[VDC/TCS/ABS]

< DTC/CIRCUIT DIAGNOSIS >

7. Perform self-diagnosis for "ABS" with CONSULT.

Is DTC "C1101", "C1102", "C1103" or "C1104" detected?

YES >> GO TO 3.

NO >> INSPECTION END

3.CHECK CONNECTOR

1. Turn the ignition switch OFF.

2. Check ABS actuator and electric unit (control unit) harness connector for disconnection or looseness.

3. Check wheel sensor harness connector for disconnection or looseness.

Is the inspection result normal?

YES >> GO TO 5.

NO >> Repair or replace error-detected parts, securely lock the connector, and GO TO 4.

4.PERFORM SELF-DIAGNOSIS (1)

1. Erase Self-diagnosis result for "ABS" with CONSULT.

2. Turn the ignition switch OFF, and wait 10 seconds or more.

3. Start the engine.

4. Drive the vehicle at approx. 30 km/h (19 MPH) or more for approx. 1 minute.

5. Stop the vehicle.

6. Perform self-diagnosis for "ABS" with CONSULT.

Is DTC "C1101", "C1102", "C1103" or "C1104" detected?

YES >> GO TO 5.

NO >> INSPECTION END

5.CHECK TERMINAL

1. Turn the ignition switch OFF.

2. Disconnect ABS actuator and electric unit (control unit) harness connector and then check ABS actuator and electric unit (control unit) pin terminals for damage or loose connection with harness connector.

3. Disconnect wheel sensor harness connector and check each wheel sensor pin terminals for damage or loose connection with harness connector.

Is the inspection result normal?

YES >> GO TO 7.

NO >> Repair or replace error-detected parts and GO TO 6.

6.PERFORM SELF-DIAGNOSIS (2)

1. Connect ABS actuator and electric unit (control unit) harness connector.

2. Connect wheel sensor harness connector.

3. Erase Self-diagnosis result for "ABS".

4. Turn the ignition switch OFF, and wait 10 seconds or more.

5. Start the engine.

6. Drive the vehicle at approx. 30 km/h (19 MPH) or more for approx. 1 minute.

7. Stop the vehicle.

8. Perform self-diagnosis for "ABS" with CONSULT.

Is DTC "C1101", "C1102", "C1103" or "C1104" detected?

YES >> GO TO 7.

NO >> INSPECTION END

7.CHECK WHEEL SENSOR HARNESS

1. Turn the ignition switch OFF.

2. Disconnect ABS actuator and electric unit (control unit) harness connector.

3. Disconnect wheel sensor harness connector.

4. Check continuity between ABS actuator and electric unit (control unit) harness connector and wheel sensor harness connector. (Check continuity when steering wheel is steered to RH and LH, or center harness in wheel housing is moved.)

A

B

C

D

E

BRC

G

H

I

J

K

L

M

N

O

P

C1101, C1102, C1103, C1104 WHEEL SENSOR

[VDC/TCS/ABS]

< DTC/CIRCUIT DIAGNOSIS >

Measurement connector and terminal for power supply circuit				
ABS actuator and electric unit (control unit)		Wheel sensor		Continuity
Connector	Terminal	Connector	Terminal	
E36	9	E39 (Front RH)	1	Existed
	16	E22 (Front LH)		
	8	B41 (Rear RH)		
	6	B44 (Rear LH)		

Measurement connector and terminal for signal circuit				
ABS actuator and electric unit (control unit)		Wheel sensor		Continuity
Connector	Terminal	Connector	Terminal	
E36	10	E39 (Front RH)	2	Existed
	5	E22 (Front LH)		
	19	B41 (Rear RH)		
	17	B44 (Rear LH)		

Is the inspection result normal?

YES >> GO TO 9.

NO >> Repair or replace error-detected parts and GO TO 8.

8.PERFORM SELF-DIAGNOSIS (3)

1. Connect ABS actuator and electric unit (control unit) harness connector.
2. Connect wheel sensor harness connector.
3. Erase Self-diagnosis result for "ABS".
4. Turn the ignition switch OFF, and wait 10 seconds or more.
5. Start the engine.
6. Drive the vehicle at approx. 30 km/h (19 MPH) or more for approx. 1 minute.
7. Stop the vehicle.
8. Perform self-diagnosis for "ABS" with CONSULT.

Is DTC "C1101", "C1102", "C1103" or "C1104" detected?

YES >> GO TO 9.

NO >> INSPECTION END

9.REPLACE WHEEL SENSOR

1. Replace wheel sensor.
 - Front: Refer to [BRC-106, "FRONT WHEEL SENSOR : Removal and Installation"](#).
 - Rear: Refer to [BRC-107, "REAR WHEEL SENSOR : Removal and Installation"](#).
2. Erase Self-diagnosis result for "ABS" with CONSULT.
3. Turn the ignition switch OFF, and wait 10 seconds or more.
4. Start the engine.
5. Drive the vehicle at approx. 30 km/h (19 MPH) or more for approx. 1 minute.
6. Stop the vehicle.
7. Perform self-diagnosis for "ABS" with CONSULT.

Is DTC "C1101", "C1102", "C1103" or "C1104" detected?

YES >> Replace ABS actuator and electric unit (control unit). Refer to [BRC-109, "Exploded View"](#).

NO >> INSPECTION END

Special Repair Requirement

INFOID:000000007769762

1.AJUSTMENT OF STEERING ANGLE SENSOR NEUTRAL POSITION

Always perform the neutral position adjustment for the steering angle sensor, when replacing the ABS actuator and electric unit (control unit) or steering angle sensor and removing steering angle sensor. Refer to [BRC-9, "Special Repair Requirement"](#)

>> END

C1105, C1106, C1107, C1108 WHEEL SENSOR

< DTC/CIRCUIT DIAGNOSIS >

[VDC/TCS/ABS]

C1105, C1106, C1107, C1108 WHEEL SENSOR

Description

INFOID:000000007769763

When the sensor rotor rotates, the magnetic field changes. It converts the magnetic field changes to current signals (rectangular wave) and transmits them to the ABS actuator and electric unit (control unit).

DTC Logic

INFOID:000000007769764

DTC DETECTION LOGIC

DTC	Display item	Malfunction detected condition	Possible cause
C1105	RR RH SENSOR-2	When the circuit in the rear RH wheel sensor is short-circuited. Or when the distance between the wheel sensor and sensor rotor is too large and the sensor pulse cannot be recognized by the control unit.	<ul style="list-style-type: none">• Harness or connector• Wheel sensor• ABS actuator and electric unit (control unit)• Sensor rotor
C1106	RR LH SENSOR-2	When the circuit in the rear LH wheel sensor is short-circuited. Or when the distance between the wheel sensor and sensor rotor is too large and the sensor pulse cannot be recognized by the control unit.	
C1107	FR RH SENSOR-2	When the circuit in the front RH wheel sensor is short-circuited. Or when the distance between the wheel sensor and sensor rotor is too large and the sensor pulse cannot be recognized by the control unit.	
C1108	FR LH SENSOR-2	When the circuit in the front LH wheel sensor is short-circuited. Or when the distance between the wheel sensor and sensor rotor is too large and the sensor pulse cannot be recognized by the control unit.	

DTC CONFIRMATION PROCEDURE

1. PRECONDITIONING

If "DTC CONFIRMATION PROCEDURE" has been previously conducted, always turn ignition switch OFF and wait at least 10 seconds before conducting the next test.

>> GO TO 2.

2. DTC REPRODUCTION PROCEDURE

1. Start the engine and drive the vehicle at 30 km/h (19 MPH) or more for approximately 1 minute.
2. Perform self-diagnosis for "ABS" with CONSULT.

Is DTC "C1105", "C1106", "C1107", or "C1108" detected?

- YES >> Proceed to diagnosis procedure. Refer to [BRC-31, "Diagnosis Procedure"](#).
NO >> INSPECTION END

Diagnosis Procedure

INFOID:000000007769765

CAUTION:

Never check between wheel sensor harness connector terminals.

1. CHECK ABS ACTUATOR AND ELECTRIC UNIT (CONTROL UNIT) POWER SUPPLY SYSTEM

Check ABS actuator and electric unit (control unit) power supply system. Refer to [BRC-77, "Diagnosis Procedure"](#).

Is the inspection result normal?

- YES >> GO TO 2.
NO >> Repair or replace error-detected parts.

2. CHECK TIRE

1. Turn the ignition switch OFF.
2. Check tire air pressure, wear and size. Refer to [WT-50, "Tire Air Pressure"](#).

C1105, C1106, C1107, C1108 WHEEL SENSOR

[VDC/TCS/ABS]

< DTC/CIRCUIT DIAGNOSIS >

Is the inspection result normal?

- YES >> GO TO 5.
- NO >> Adjust air pressure or replace tire and GO TO 3.

3.CHECK DATA MONITOR (1)

1. Erase Self-diagnosis result for "ABS" with CONSULT.
2. Turn the ignition switch OFF, and wait 10 seconds or more.
3. Start the engine.
4. Select "ABS" and "DATA MONITOR", check "FR LH SENSOR", "FR RH SENSOR", "RR LH SENSOR" and "RR RH SENSOR" with CONSULT.

NOTE:

Set the "DATA MONITOR" recording speed to "10 msec".

5. Read a value (wheel speed) of both normal wheel sensors and error-detecting wheel sensor.

Regarding the deference at 30 km/h (19 MPH) between the wheel speed detected by the error detecting wheel sensor and the maximum/minimum wheel speed detected by the normal wheel sensors, is the difference within 5%, respectively?

- YES >> GO TO 4.
- NO >> GO TO 5.

4.PERFORM SELF-DIAGNOSIS (1)

1. Drive the vehicle at approx. 30 km/h (19 MPH) or more for approx. 1 minute.
2. Stop the vehicle.
3. Perform self-diagnosis for "ABS" with CONSULT.

Is DTC "C1105", "C1106", "C1107" or "C1108" detected?

- YES >> GO TO 5.
- NO >> INSPECTION END

5.CHECK WHEEL SENSOR

1. Turn the ignition switch OFF.
2. Check wheel sensor for damage.
3. Remove dust and foreign matter adhered to the sensor rotor with a vacuum dust collector through the wheel sensor mounting hole.

CAUTION:

Install wheel sensor with no backlash and float, and tighten the mounting bolt to the specified torque.

- Front: Refer to [BRC-106, "FRONT WHEEL SENSOR : Exploded View"](#).
- Rear: Refer to [BRC-107, "REAR WHEEL SENSOR : Exploded View"](#).

Is the inspection result normal?

- YES >> GO TO 8.
- NO >> GO TO 6.

6.REPLACE WHEEL SENSOR (1)

1. Replace wheel sensor.
 - Front: Refer to [BRC-106, "FRONT WHEEL SENSOR : Removal and Installation"](#).
 - Rear: Refer to [BRC-107, "REAR WHEEL SENSOR : Removal and Installation"](#).
2. Erase Self-diagnosis result for "ABS" with CONSULT.
3. Turn the ignition switch OFF, and wait 10 seconds or more.
4. Start the engine.
5. Select "ABS" and "DATA MONITOR", check "FR LH SENSOR", "FR RH SENSOR", "RR LH SENSOR" and "RR RH SENSOR" with CONSULT.

NOTE:

Set the "DATA MONITOR" recording speed to "10 msec".

6. Read a value (wheel speed) of both normal wheel sensors and error-detecting wheel sensor.

Regarding the deference at 30 km/h (19 MPH) between the wheel speed detected by the error detecting wheel sensor and the maximum/minimum wheel speed detected by the normal wheel sensors, is the difference within 5%, respectively?

- YES >> GO TO 7.
- NO >> GO TO 19.

C1105, C1106, C1107, C1108 WHEEL SENSOR

[VDC/TCS/ABS]

< DTC/CIRCUIT DIAGNOSIS >

7. PERFORM SELF-DIAGNOSIS (2)

Ⓜ With CONSULT.

1. Drive the vehicle at approx. 30 km/h (19 MPH) or more for approx. 1 minute.
2. Stop the vehicle.
3. Perform self-diagnosis for "ABS" with CONSULT.

Is DTC "C1105", "C1106", "C1107" or "C1108" detected?

YES >> GO TO 19.

NO >> INSPECTION END

8. CHECK CONNECTOR

1. Turn the ignition switch OFF.
2. Check ABS actuator and electric unit (control unit) harness connector for disconnection or looseness.
3. Check wheel sensor harness connector for disconnection or looseness.

Is the inspection result normal?

YES >> GO TO 11.

NO >> Repair or replace error-detected parts, securely lock the connector, and GO TO 9.

9. CHECK DATA MONITOR (2)

1. Erase Self-diagnosis result for "ABS" with CONSULT.
2. Turn the ignition switch OFF, and wait 10 seconds or more.
3. Start the engine.
4. Select "ABS" and "DATA MONITOR", check "FR LH SENSOR", "FR RH SENSOR", "RR LH SENSOR" and "RR RH SENSOR" with CONSULT.

NOTE:

Set the "DATA MONITOR" recording speed to "10 msec".

5. Read a value (wheel speed) of both normal wheel sensors and error-detecting wheel sensor.

Regarding the deference at 30 km/h (19 MPH) between the wheel speed detected by the error detecting wheel sensor and the maximum/minimum wheel speed detected by the normal wheel sensors, is the difference within 5%, respectively?

YES >> GO TO 10.

NO >> GO TO 11.

10. PERFORM SELF-DIAGNOSIS (3)

1. Drive the vehicle at approx. 30 km/h (19 MPH) or more for approx. 1 minute.
2. Stop the vehicle.
3. Perform self-diagnosis for "ABS" with CONSULT.

Is DTC "C1105", "C1106", "C1107" or "C1108" detected?

YES >> GO TO 11.

NO >> INSPECTION END

11. CHECK TERMINAL

1. Turn the ignition switch OFF.
2. Disconnect ABS actuator and electric unit (control unit) harness connector and then check ABS actuator and electric unit (control unit) pin terminals for damage or loose connection with harness connector.
3. Disconnect wheel sensor harness connector and check each wheel sensor pin terminals for damage or loose connection with harness connector.

Is the inspection result normal?

YES >> GO TO 14.

NO >> Repair or replace error-detected parts and GO TO 12.

12. CHECK DATA MONITOR (3)

1. Connect ABS actuator and electric unit (control unit) harness connector.
2. Connect wheel sensor harness connector.
3. Erase Self-diagnosis result for "ABS" with CONSULT.
4. Turn the ignition switch OFF, and wait 10 seconds or more.
5. Start the engine.
6. Select "ABS" and "DATA MONITOR", check "FR LH SENSOR", "FR RH SENSOR", "RR LH SENSOR" and "RR RH SENSOR" with CONSULT.

A

B

C

D

E

BRC

G

H

I

J

K

L

M

N

O

P

C1105, C1106, C1107, C1108 WHEEL SENSOR

[VDC/TCS/ABS]

< DTC/CIRCUIT DIAGNOSIS >

NOTE:

Set the "DATA MONITOR" recording speed to "10 msec".

7. Read a value (wheel speed) of both normal wheel sensors and error-detecting wheel sensor.

Regarding the deference at 30 km/h (19 MPH) between the wheel speed detected by the error detecting wheel sensor and the maximum/minimum wheel speed detected by the normal wheel sensors, is the difference within 5%, respectively?

YES >> GO TO 13.

NO >> GO TO 14.

13.PERFORM SELF-DIAGNOSIS (4)

1. Drive the vehicle at approx. 30 km/h (19 MPH) or more for approx. 1 minute.
2. Stop the vehicle.
3. Perform self-diagnosis for "ABS" with CONSULT.

Is DTC "C1105", "C1106", "C1107" or "C1108" detected?

YES >> GO TO 14.

NO >> INSPECTION END

14.CHECK WHEEL SENSOR HARNESS

1. Turn the ignition switch OFF.
2. Disconnect ABS actuator and electric unit (control unit) harness connector.
3. Disconnect wheel sensor harness connector.
4. Check continuity between ABS actuator and electric unit (control unit) harness connector and the ground.

ABS actuator and electric unit (control unit)				Continuity
Connector	Terminal	Connector	Terminal	
E36	9, 10	E36	1, 4	Not existed
	16, 5			
	8, 19			
	6, 17			

Is the inspection result normal?

YES >> GO TO 15.

NO >> Repair or replace error-detected parts and GO TO 15.

15.CHECK DATA MONITOR (4)

1. Connect ABS actuator and electric unit (control unit) harness connector.
2. Connect wheel sensor harness connector.
3. Erase Self-diagnosis result for "ABS" with CONSULT.
4. Turn the ignition switch OFF, and wait 10 seconds or more.
5. Start the engine.
6. Select "ABS" and "DATA MONITOR", check "FR LH SENSOR", "FR RH SENSOR", "RR LH SENSOR" and "RR RH SENSOR" with CONSULT.

NOTE:

Set the "DATA MONITOR" recording speed to "10 msec".

7. Read a value (wheel speed) of both normal wheel sensors and error-detecting wheel sensor.

Regarding the deference at 30 km/h (19 MPH) between the wheel speed detected by the error detecting wheel sensor and the maximum/minimum wheel speed detected by the normal wheel sensors, is the difference within 5%, respectively?

YES >> GO TO 16.

NO >> GO TO 17.

16.PERFORM SELF-DIAGNOSIS (5)

1. Drive the vehicle at approx. 30 km/h (19 MPH) or more for approx. 1 minute.
2. Stop the vehicle.
3. Perform self-diagnosis for "ABS" with CONSULT.

Is DTC "C1105", "C1106", "C1107" or "C1108" detected?

YES >> GO TO 17.

NO >> INSPECTION END

C1105, C1106, C1107, C1108 WHEEL SENSOR

< DTC/CIRCUIT DIAGNOSIS >

[VDC/TCS/ABS]

17. REPLACE WHEEL SENSOR

1. Replace wheel sensor.
 - Front: Refer to [BRC-106, "FRONT WHEEL SENSOR : Removal and Installation"](#).
 - Rear: Refer to [BRC-107, "REAR WHEEL SENSOR : Removal and Installation"](#).
2. Erase Self-diagnosis result for "ABS" with CONSULT.
3. Turn the ignition switch OFF, and wait 10 seconds or more.
4. Start the engine.
5. Select "ABS" and "DATA MONITOR", check "FR LH SENSOR", "FR RH SENSOR", "RR LH SENSOR" and "RR RH SENSOR" with CONSULT.

NOTE:

Set the "DATA MONITOR" recording speed to "10 msec".

6. Read a value (wheel speed) of both normal wheel sensors and error-detecting wheel sensor.

Regarding the difference at 30 km/h (19 MPH) between the wheel speed detected by the error detecting wheel sensor and the maximum/minimum wheel speed detected by the normal wheel sensors, is the difference within 5%, respectively?

YES >> GO TO 18.

NO >> GO TO 19.

18. PERFORM SELF-DIAGNOSIS (6)

1. Drive the vehicle at approx. 30 km/h (19 MPH) or more for approx. 1 minute.
2. Stop the vehicle.
3. Perform self-diagnosis for "ABS" with CONSULT.

Is DTC "C1105", "C1106", "C1107" or "C1108" detected?

YES >> GO TO 19.

NO >> INSPECTION END

19. REPLACE SENSOR ROTOR

1. Replace sensor rotor.
 - Front: Refer to [BRC-108, "FRONT SENSOR ROTOR : Removal and Installation"](#).
 - Rear: Refer to [BRC-108, "REAR SENSOR ROTOR : Removal and Installation"](#).
2. Erase Self-diagnosis result for "ABS" with CONSULT.
3. Turn the ignition switch OFF, and wait 10 seconds or more.
4. Start the engine.
5. Drive the vehicle at approx. 30 km/h (19 MPH) or more for approx. 1 minute.
6. Stop the vehicle.
7. Perform self-diagnosis for "ABS" with CONSULT.

Is DTC "C1105", "C1106", "C1107" or "C1108" detected?

YES >> Replace ABS actuator and electric unit (control unit). Refer to [BRC-109, "Exploded View"](#).

NO >> INSPECTION END

Special Repair Requirement

INFOID:000000007769766

1. ADJUSTMENT OF STEERING ANGLE SENSOR NEUTRAL POSITION

Always perform the neutral position adjustment for the steering angle sensor, when replacing the ABS actuator and electric unit (control unit) or steering angle sensor and removing steering angle sensor. Refer to [BRC-9, "Special Repair Requirement"](#)

>> END

C1109 POWER AND GROUND SYSTEM

< DTC/CIRCUIT DIAGNOSIS >

[VDC/TCS/ABS]

C1109 POWER AND GROUND SYSTEM

Description

INFOID:000000007769767

Supplies electric power to the ABS actuator and electric unit (control unit).

DTC Logic

INFOID:000000007769768

DTC DETECTION LOGIC

DTC	Display item	Malfunction detected condition	Possible cause
C1109	BATTERY VOLTAGE [ABNORMAL]	When the ABS actuator and electric unit (control unit) power supply voltage is lower than normal.	<ul style="list-style-type: none">• Harness or connector• ABS actuator and electric unit (control unit)• Fuse

DTC CONFIRMATION PROCEDURE

1. PRECONDITIONING

If "DTC CONFIRMATION PROCEDURE" has been previously conducted, always turn ignition switch OFF and wait at least 10 seconds before conducting the next test.

>> GO TO 2.

2. DTC REPRODUCTION PROCEDURE

1. Turn the ignition switch ON.
2. Perform self-diagnosis for "ABS" with CONSULT.

Is DTC "C1109" detected?

- YES >> Proceed to diagnosis procedure. Refer to [BRC-36, "Diagnosis Procedure"](#).
NO >> INSPECTION END

Diagnosis Procedure

INFOID:000000007769769

1. CHECK ABS ACTUATOR AND ELECTRIC UNIT (CONTROL UNIT) POWER SUPPLY

1. Turn the ignition switch OFF.
2. Disconnect ABS actuator and electric unit (control unit) harness connector.
3. Check the voltage between ABS actuator and electric unit (control unit) harness connector and ground.

ABS actuator and electric unit (control unit)		—	Voltage
Connector	Terminal		
E36	18	Ground	Approx. 0 V

4. Turn the ignition switch ON.

CAUTION:

Never start the engine.

5. Check the voltage between ABS actuator and electric unit (control unit) harness connector and ground.

ABS actuator and electric unit (control unit)		—	Voltage
Connector	Terminal		
E36	18	Ground	Battery voltage

Is the inspection result normal?

- YES >> GO TO 3.
NO >> GO TO 2.

2. CHECK ABS ACTUATOR AND ELECTRIC UNIT (CONTROL UNIT) POWER SUPPLY CIRCUIT

1. Turn the ignition switch OFF.
2. Disconnect IPDM E/R harness connector.

C1109 POWER AND GROUND SYSTEM

[VDC/TCS/ABS]

< DTC/CIRCUIT DIAGNOSIS >

3. Check continuity between ABS actuator and electric unit (control unit) harness connector and IPDM E/R harness connector.

ABS actuator and electric unit (control unit)		IPDM E/R		Continuity
Connector	Terminal	Connector	Terminal	
E36	18	E15	60	Existed

Is the inspection result normal?

YES >> Perform the trouble diagnosis for ignition power supply circuit. Refer to [PG-18, "Wiring Diagram - IGNITION POWER SUPPLY -"](#).

NO >> Repair or replace error-detected parts.

3.CHECK ABS ACTUATOR AND ELECTRIC UNIT (CONTROL UNIT) GROUND

Check continuity between ABS actuator and electric unit (control unit) harness connector and ground.

ABS actuator and electric unit (control unit)		—	Continuity
Connector	Terminal		
E36	1	Ground	Existed
	4		

Is the inspection result normal?

YES >> GO TO 4.

NO >> Repair or replace error-detected parts.

4.CHECK TERMINALS AND HARNESS CONNECTORS

1. Check ABS actuator and electric unit (control unit) pin terminals for damage or loose connection with harness connector.
2. Check IPDM E/R pin terminals for damage or loose connection with harness connector.

Is the inspection result normal?

YES >> Replace ABS actuator and electric unit (control unit). Refer to [BRC-109, "Exploded View"](#).

NO >> Repair or replace error-detected parts.

Special Repair Requirement

INFOID:000000007769770

1.AJUSTMENT OF STEERING ANGLE SENSOR NEUTRAL POSITION

Always perform the neutral position adjustment for the steering angle sensor, when replacing the ABS actuator and electric unit (control unit) or steering angle sensor and removing steering angle sensor. Refer to [BRC-9, "Special Repair Requirement"](#)

>> END

C1110, C1153, C1170 ABS ACTUATOR AND ELECTRIC UNIT (CONTROL UNIT)

DTC Logic

INFOID:000000007769771

DTC DETECTION LOGIC

DTC	Display item	Malfunction detected condition	Possible cause
C1110	CONTROLLER FAILURE	When there is an internal malfunction in the ABS actuator and electric unit (control unit).	ABS actuator and electric unit (control unit)
C1153	EMERGENCY BRAKE	When ABS actuator and electric unit (control unit) is malfunctioning. (Pressure increase is too much or too little)	
C1170	VARIANT CODING	In a case where VARIANT CODING is different.	

DTC CONFIRMATION PROCEDURE

1. PRECONDITIONING

If "DTC CONFIRMATION PROCEDURE" has been previously conducted, always turn ignition switch OFF and wait at least 10 seconds before conducting the next test.

>> GO TO 2.

2. DTC REPRODUCTION PROCEDURE

1. Turn the ignition switch ON.
2. Perform self-diagnosis for "ABS" with CONSULT.

Is DTC "C1110", "C1153" or "C1170" detected?

- YES >> Proceed to diagnosis procedure. Refer to [BRC-38, "Diagnosis Procedure"](#).
 NO >> INSPECTION END

Diagnosis Procedure

INFOID:000000007769772

1. REPLACE ABS ACTUATOR AND ELECTRIC UNIT (CONTROL UNIT)

CAUTION:

Replace ABS actuator and electric unit (control unit) when self-diagnostic result shows items other than those applicable.

>> Replace ABS actuator and electric unit (control unit). Refer to [BRC-109, "Exploded View"](#).

Special Repair Requirement

INFOID:000000007769773

1. ADJUSTMENT OF STEERING ANGLE SENSOR NEUTRAL POSITION

Always perform the neutral position adjustment for the steering angle sensor, when replacing the ABS actuator and electric unit (control unit) or steering angle sensor and removing steering angle sensor. Refer to [BRC-9, "Special Repair Requirement"](#)

>> END

C1111 ABS MOTOR, MOTOR RELAY SYSTEM

< DTC/CIRCUIT DIAGNOSIS >

[VDC/TCS/ABS]

C1111 ABS MOTOR, MOTOR RELAY SYSTEM

Description

INFOID:000000007769774

PUMP

The pump returns the brake fluid stored in the reservoir to the master cylinder by reducing the pressure.

MOTOR

The motor drives the pump according to the signals transmitted by the ABS actuator and electric unit (control unit).

MOTOR RELAY

Activates or deactivates motor according to the signals transmitted by the ABS actuator and electric unit (control unit).

DTC Logic

INFOID:000000007769775

DTC DETECTION LOGIC

DTC	Display item	Malfunction detected condition	Possible cause
C1111	PUMP MOTOR	During the actuator motor operating with ON, when the actuator motor turns OFF, or when the control line for actuator motor relay is open.	<ul style="list-style-type: none"> • Harness or connector • ABS actuator and electric unit (control unit)
		During the actuator motor operating with OFF, when the actuator motor turns ON, or when the control line for relay is shorted to ground.	

DTC CONFIRMATION PROCEDURE

1. PRECONDITIONING

If "DTC CONFIRMATION PROCEDURE" has been previously conducted, always turn ignition switch OFF and wait at least 10 seconds before conducting the next test.

>> GO TO 2.

2. DTC REPRODUCTION PROCEDURE

1. Turn the ignition switch ON.
2. Perform self-diagnosis for "ABS" with CONSULT.

Is DTC "C1111" detected?

- YES >> Proceed to diagnosis procedure. Refer to [BRC-39, "Diagnosis Procedure"](#).
 NO >> INSPECTION END

Diagnosis Procedure

INFOID:000000007769776

1. CHECK ABS MOTOR AND MOTOR RELAY POWER SUPPLY

1. Turn the ignition switch OFF.
2. Disconnect ABS actuator and electric unit (control unit) harness connector.
3. Check the 40A fuse (F).
4. Check voltage between the ABS actuator and electric unit (control unit) harness connector and ground.

ABS actuator and electric unit (control unit)		—	Voltage
Connector	Terminal		
E36	2	Ground	Battery voltage

Is the inspection result normal?

- YES >> GO TO 2.
 NO >> Repair or replace error-detected parts.

2. CHECK ABS ACTUATOR AND ELECTRIC UNIT (CONTROL UNIT) GROUND

C1111 ABS MOTOR, MOTOR RELAY SYSTEM

< DTC/CIRCUIT DIAGNOSIS >

[VDC/TCS/ABS]

Check continuity between ABS actuator and electric unit (control unit) harness connector and ground.

ABS actuator and electric unit (control unit)		—	Continuity
Connector	Terminal		
E36	1	Ground	Existed
	4		

Is the inspection result normal?

YES >> GO TO 3.

NO >> Repair or replace error-detected parts.

3.CHECK TERMINALS AND HARNESS CONNECTORS

Check ABS actuator and electric unit (control unit) pin terminals for damage or loose connection with harness connector.

Is the inspection result normal?

YES >> Replace ABS actuator and electric unit (control unit). Refer to [BRC-109, "Exploded View"](#).

NO >> Repair or replace error-detected parts.

Special Repair Requirement

INFOID:000000007769777

1.AJUSTMENT OF STEERING ANGLE SENSOR NEUTRAL POSITION

Always perform the neutral position adjustment for the steering angle sensor, when replacing the ABS actuator and electric unit (control unit) or steering angle sensor and removing steering angle sensor. Refer to [BRC-9, "Special Repair Requirement"](#)

>> END

C1115 WHEEL SENSOR

Description

INFOID:000000007769778

When the sensor rotor rotates, the magnetic field changes. It converts the magnetic field changes to current signals (rectangular wave) and transmits them to the ABS actuator and electric unit (control unit).

DTC Logic

INFOID:000000007769779

DTC DETECTION LOGIC

DTC	Display item	Malfunction detected condition	Possible cause
C1115	ABS SENSOR [ABNORMAL SIGNAL]	When wheel sensor input signal is malfunctioning.	<ul style="list-style-type: none"> • Harness or connector • Wheel sensor • ABS actuator and electric unit (control unit) • Sensor rotor

DTC CONFIRMATION PROCEDURE

1. PRECONDITIONING

If "DTC CONFIRMATION PROCEDURE" has been previously conducted, always turn ignition switch OFF and wait at least 10 seconds before conducting the next test.

>> GO TO 2.

2. DTC REPRODUCTION PROCEDURE

1. Start the engine and drive the vehicle at 30 km/h (19 MPH) or more for approximately 1 minute.
2. Perform self-diagnosis for "ABS" with CONSULT.

Is DTC "C1115" detected?

- YES >> Proceed to diagnosis procedure. Refer to [BRC-41, "Diagnosis Procedure"](#).
 NO >> INSPECTION END

Diagnosis Procedure

INFOID:000000007769780

CAUTION:

For wheel sensor, never check between terminals.

1. CHECK ABS ACTUATOR AND ELECTRIC UNIT (CONTROL UNIT) POWER SUPPLY SYSTEM

Check ABS actuator and electric unit (control unit) power supply system. Refer to [BRC-77, "Diagnosis Procedure"](#).

Is the inspection result normal?

- YES >> GO TO 2.
 NO >> Repair or replace error-detected parts.

2. CHECK TIRE

1. Turn the ignition switch OFF.
2. Check tire air pressure, wear and size. Refer to [WT-50, "Tire Air Pressure"](#).

Is the inspection result normal?

- YES >> GO TO 5.
 NO >> Adjust air pressure or replace tire and GO TO 3.

3. CHECK DATA MONITOR (1)

1. Erase Self-diagnosis result for "ABS" with CONSULT.
2. Turn the ignition switch OFF, and wait 10 seconds or more.
3. Start the engine.
4. Select "ABS" and "DATA MONITOR", check "FR LH SENSOR", "FR RH SENSOR", "RR LH SENSOR" and "RR RH SENSOR" with CONSULT.

NOTE:

C1115 WHEEL SENSOR

[VDC/TCS/ABS]

< DTC/CIRCUIT DIAGNOSIS >

Set the "DATA MONITOR" recording speed to "10 msec".

5. Read a value (wheel speed) of both normal wheel sensors and error-detecting wheel sensor.

Regarding the deference at 30 km/h (19 MPH) between the wheel speed detected by the error detecting wheel sensor and the maximum/minimum wheel speed detected by the normal wheel sensors, is the difference within 5%, respectively?

YES >> GO TO 4.

NO >> GO TO 5.

4.PERFORM SELF-DIAGNOSIS (1)

1. Drive the vehicle at approx. 30 km/h (19 MPH) or more for approx. 1 minute.
2. Stop the vehicle.
3. Perform self-diagnosis for "ABS" with CONSULT.

Is DTC "C1115" detected?

YES >> GO TO 5.

NO >> INSPECTION END

5.CHECK WHEEL SENSOR

1. Turn the ignition switch OFF.
2. Check wheel sensor for damage.
3. Remove dust and foreign matter adhered to the sensor rotor with a vacuum dust collector through the wheel sensor mounting hole.

CAUTION:

Install wheel sensor with no backlash and float, and tighten the mounting bolt to the specified torque.

• Front: Refer to [BRC-106, "FRONT WHEEL SENSOR : Exploded View"](#).

• Rear: Refer to [BRC-107, "REAR WHEEL SENSOR : Exploded View"](#).

Is the inspection result normal?

YES >> GO TO 8.

NO >> GO TO 6.

6.REPLACE WHEEL SENSOR (1)

1. Replace wheel sensor.
 - Front: Refer to [BRC-106, "FRONT WHEEL SENSOR : Removal and Installation"](#).
 - Rear: Refer to [BRC-107, "REAR WHEEL SENSOR : Removal and Installation"](#).
2. Erase Self-diagnosis result for "ABS" with CONSULT.
3. Turn the ignition switch OFF, and wait 10 seconds or more.
4. Start the engine.
5. Select "ABS" and "DATA MONITOR", check "FR LH SENSOR", "FR RH SENSOR", "RR LH SENSOR" and "RR RH SENSOR" with CONSULT.

NOTE:

Set the "DATA MONITOR" recording speed to "10 msec".

6. Read a value (wheel speed) of both normal wheel sensors and error-detecting wheel sensor.

Regarding the deference at 30 km/h (19 MPH) between the wheel speed detected by the error detecting wheel sensor and the maximum/minimum wheel speed detected by the normal wheel sensors, is the difference within 5%, respectively?

YES >> GO TO 7.

NO >> GO TO 19.

7.PERFORM SELF-DIAGNOSIS (2)

1. Drive the vehicle at approx. 30 km/h (19 MPH) or more for approx. 1 minute.
2. Stop the vehicle.
3. Perform self-diagnosis for "ABS" with CONSULT.

Is DTC "C1115" detected?

YES >> GO TO 19.

NO >> INSPECTION END

8.CHECK CONNECTOR

1. Turn the ignition switch OFF.
2. Check ABS actuator and electric unit (control unit) harness connector for disconnection or looseness.

C1115 WHEEL SENSOR

[VDC/TCS/ABS]

< DTC/CIRCUIT DIAGNOSIS >

3. Check wheel sensor harness connector for disconnection or looseness.

Is the inspection result normal?

YES >> GO TO 11.

NO >> Repair or replace error-detected parts, securely lock the connector, and GO TO 9.

9.CHECK DATA MONITOR (2)

1. Erase Self-diagnosis result for "ABS" with CONSULT.
2. Turn the ignition switch OFF, and wait 10 seconds or more.
3. Start the engine.
4. Select "ABS" and "DATA MONITOR", check "FR LH SENSOR", "FR RH SENSOR", "RR LH SENSOR" and "RR RH SENSOR" with CONSULT.

NOTE:

Set the "DATA MONITOR" recording speed to "10 msec".

5. Read a value (wheel speed) of both normal wheel sensors and error-detecting wheel sensor.

Regarding the deference at 30 km/h (19 MPH) between the wheel speed detected by the error detecting wheel sensor and the maximum/minimum wheel speed detected by the normal wheel sensors, is the difference within 5%. respectively?

YES >> GO TO 10.

NO >> GO TO 11.

10.PERFORM SELF-DIAGNOSIS (3)

1. Drive the vehicle at approx. 30 km/h (19 MPH) or more for approx. 1 minute.
2. Stop the vehicle.
3. Perform self-diagnosis for "ABS" with CONSULT.

Is DTC "C1115" detected?

YES >> GO TO 11.

NO >> INSPECTION END

11.CHECK TERMINAL

1. Turn the ignition switch OFF.
2. Disconnect ABS actuator and electric unit (control unit) harness connector and then check ABS actuator and electric unit (control unit) pin terminals for damage or loose connection with harness connector.
3. Disconnect wheel sensor harness connector and check each wheel sensor pin terminals for damage or loose connection with harness connector.

Is the inspection result normal?

YES >> GO TO 14.

NO >> Repair or replace error-detected parts and GO TO 12.

12.CHECK DATA MONITOR (3)

1. Connect ABS actuator and electric unit (control unit) harness connector.
2. Connect wheel sensor harness connector.
3. Erase Self-diagnosis result for "ABS" with CONSULT.
4. Turn the ignition switch OFF, and wait 10 seconds or more.
5. Start the engine.
6. Select "ABS" and "DATA MONITOR", check "FR LH SENSOR", "FR RH SENSOR", "RR LH SENSOR" and "RR RH SENSOR" with CONSULT.

NOTE:

Set the "DATA MONITOR" recording speed to "10 msec".

7. Read a value (wheel speed) of both normal wheel sensors and error-detecting wheel sensor.

Regarding the deference at 30 km/h (19 MPH) between the wheel speed detected by the error detecting wheel sensor and the maximum/minimum wheel speed detected by the normal wheel sensors, is the difference within 5%. respectively?

YES >> GO TO 13.

NO >> GO TO 14.

13.PERFORM SELF-DIAGNOSIS (4)

1. Drive the vehicle at approx. 30 km/h (19 MPH) or more for approx. 1 minute.
2. Stop the vehicle.
3. Perform self-diagnosis for "ABS" with CONSULT.

C1115 WHEEL SENSOR

[VDC/TCS/ABS]

< DTC/CIRCUIT DIAGNOSIS >

Is DTC "C1115" detected?

- YES >> GO TO 14.
- NO >> INSPECTION END

14. CHECK WHEEL SENSOR HARNESS

1. Turn the ignition switch OFF.
2. Disconnect ABS actuator and electric unit (control unit) harness connector.
3. Disconnect wheel sensor harness connector.
4. Check continuity between ABS actuator and electric unit (control unit) harness connector and wheel sensor harness connector. (Check continuity when steering wheel is steered to RH and LH, or center harness in wheel housing is moved.)

Measurement connector and terminal for power supply circuit

ABS actuator and electric unit (control unit)		Wheel sensor		Continuity
Connector	Terminal	Connector	Terminal	
E36	9	E39 (Front RH)	1	Existed
	16	E22 (Front LH)		
	8	B41 (Rear RH)		
	6	B44 (Rear LH)		

Measurement connector and terminal for signal circuit

ABS actuator and electric unit (control unit)		Wheel sensor		Continuity
Connector	Terminal	Connector	Terminal	
E36	10	E39 (Front RH)	2	Existed
	5	E22 (Front LH)		
	19	B41 (Rear RH)		
	17	B44 (Rear LH)		

5. Check continuity between ABS actuator and electric unit (control unit) harness connector and the ground.

ABS actuator and electric unit (control unit)				Continuity
Connector	Terminal	Connector	Terminal	
E36	9, 10	E36	1, 4	Not existed
	16, 5			
	8, 19			
	6, 17			

Is the inspection result normal?

- YES >> GO TO 15.
- NO >> Repair or replace error-detected parts and GO TO 15.

15. CHECK DATA MONITOR (4)

1. Connect ABS actuator and electric unit (control unit) harness connector.
2. Connect wheel sensor harness connector.
3. Erase Self-diagnosis result for "ABS" with CONSULT.
4. Turn the ignition switch OFF, and wait 10 seconds or more.
5. Start the engine.
6. Select "ABS" and "DATA MONITOR", check "FR LH SENSOR", "FR RH SENSOR", "RR LH SENSOR" and "RR RH SENSOR" with CONSULT.

NOTE:

Set the "DATA MONITOR" recording speed to "10 msec".

7. Read a value (wheel speed) of both normal wheel sensors and error-detecting wheel sensor.

Regarding the deference at 30 km/h (19 MPH) between the wheel speed detected by the error detecting wheel sensor and the maximum/minimum wheel speed detected by the normal wheel sensors, is the difference within 5%. respectively?

- YES >> GO TO 16.
- NO >> GO TO 17.

< DTC/CIRCUIT DIAGNOSIS >

16.PERFORM SELF-DIAGNOSIS (5)

1. Drive the vehicle at approx. 30 km/h (19 MPH) or more for approx. 1 minute.
2. Stop the vehicle.
3. Perform self-diagnosis for "ABS" with CONSULT.

Is DTC "C1115" detected?

YES >> GO TO 17.

NO >> INSPECTION END

17.REPLACE WHEEL SENSOR

1. Replace wheel sensor.
 - Front: Refer to [BRC-106, "FRONT WHEEL SENSOR : Removal and Installation"](#).
 - Rear: Refer to [BRC-107, "REAR WHEEL SENSOR : Removal and Installation"](#).
2. Erase Self-diagnosis result for "ABS" with CONSULT.
3. Turn the ignition switch OFF, and wait 10 seconds or more.
4. Start the engine.
5. Select "ABS" and "DATA MONITOR", check "FR LH SENSOR", "FR RH SENSOR", "RR LH SENSOR" and "RR RH SENSOR" with CONSULT.

NOTE:

Set the "DATA MONITOR" recording speed to "10 msec".

6. Read a value (wheel speed) of both normal wheel sensors and error-detecting wheel sensor.

Regarding the deference at 30 km/h (19 MPH) between the wheel speed detected by the error detecting wheel sensor and the maximum/minimum wheel speed detected by the normal wheel sensors, is the difference within 5%, respectively?

YES >> GO TO 18.

NO >> GO TO 19.

18.PERFORM SELF-DIAGNOSIS (6)

1. Drive the vehicle at approx. 30 km/h (19 MPH) or more for approx. 1 minute.
2. Stop the vehicle.
3. Perform self-diagnosis for "ABS" with CONSULT.

Is DTC "C1115" detected?

YES >> GO TO 19.

NO >> INSPECTION END

19.REPLACE SENSOR ROTOR

1. Replace sensor rotor.
 - Front: Refer to [BRC-108, "FRONT SENSOR ROTOR : Removal and Installation"](#).
 - Rear: Refer to [BRC-108, "REAR SENSOR ROTOR : Removal and Installation"](#).
2. Erase Self-diagnosis result for "ABS".
3. Turn the ignition switch OFF, and wait 10 seconds or more.
4. Start the engine.
5. Drive the vehicle at approx. 30 km/h (19 MPH) or more for approx. 1 minute.
6. Stop the vehicle.
7. Perform self-diagnosis for "ABS" with CONSULT.

Is DTC "C1115" detected?YES >> Replace ABS actuator and electric unit (control unit). Refer to [BRC-109, "Exploded View"](#).

NO >> INSPECTION END

Special Repair Requirement

INFOID:000000007769781

1.ADJUSTMENT OF STEERING ANGLE SENSOR NEUTRAL POSITION

Always perform the neutral position adjustment for the steering angle sensor, when replacing the ABS actuator and electric unit (control unit) or steering angle sensor and removing steering angle sensor. Refer to [BRC-9, "Special Repair Requirement"](#)

>> END

C1116 STOP LAMP SWITCH

< DTC/CIRCUIT DIAGNOSIS >

[VDC/TCS/ABS]

C1116 STOP LAMP SWITCH

Description

INFOID:000000007769782

The stop lamp switch transmits the stop lamp switch signal (ON/OFF) to the ABS actuator and electric unit (control unit).

DTC Logic

INFOID:000000007769783

DTC DETECTION LOGIC

DTC	Display item	Malfunction detected condition	Possible cause
C1116	STOP LAMP SW	When a stop lamp switch signal is not input where the brake pedal is depressed.	<ul style="list-style-type: none">• Harness or connector• Stop lamp switch• ABS actuator and electric unit (control unit)

DTC CONFIRMATION PROCEDURE

1. PRECONDITIONING

If "DTC CONFIRMATION PROCEDURE" has been previously conducted, always turn ignition switch OFF and wait at least 10 seconds before conducting the next test.

>> GO TO 2.

2. DTC REPRODUCTION PROCEDURE

1. Turn the ignition switch ON.
2. Perform self-diagnosis for "ABS" with CONSULT.

Is DTC "C1116" detected?

YES >> Proceed to diagnosis procedure. Refer to [BRC-46, "Diagnosis Procedure"](#).
NO >> INSPECTION END

Diagnosis Procedure

INFOID:000000007769784

NOTE:

DTC "C1116" may be detected when the brake pedal and the accelerator pedal are simultaneously depressed for 1 minute or more while driving the vehicle. This is not a malfunction.

1. INTERVIEW FROM THE CUSTOMER

Check if the brake pedal and the accelerator pedal are simultaneously depressed for 1 minute or more while driving the vehicle.

Is there such a history?

YES >> GO TO 2.
NO >> GO TO 3.

2. PERFORM SELF-DIAGNOSIS

1. Erase Self-diagnosis result for "ABS" with CONSULT.
2. Turn the ignition switch OFF, and wait 10 seconds or more.
3. Start the engine.

CAUTION:

Never start the vehicle.

4. Depress the brake pedal several times.
5. Perform self-diagnosis for "ABS" with CONSULT.

Is DTC "C1116" detected?

YES >> GO TO 3.
NO >> INSPECTION END

3. STOP LAMP FOR ILLUMINATION

Depress brake pedal and check that stop lamp turns ON.

C1116 STOP LAMP SWITCH

[VDC/TCS/ABS]

< DTC/CIRCUIT DIAGNOSIS >

Does stop lamp turn ON?

YES >> GO TO 5.

NO >> Check stop lamp system. Refer to [BCS-70. "Wiring Diagram - BCM -"](#) (WITH INTELLIGENT KEY SYSTEM), [BCS-134. "Wiring Diagram - BCM -"](#) (WITHOUT INTELLIGENT KEY SYSTEM). GO TO 4.

4.CHECK DATA MONITOR (1)

1. Erase Self-diagnosis result for "ABS" with CONSULT.
2. Turn the ignition switch OFF, and wait 10 seconds or more.
3. Start the engine.

CAUTION:

Never start the vehicle.

4. Select "ABS", "DATA MONITOR" and "STOP LAMP SW" according to this order with CONSULT. Check that data monitor displays "On" or "Off" when brake pedal is depress or release. Refer to [BRC-88. "Reference Value"](#).
5. Select "ABS", "DATA MONITOR" and "pressure sensor" according to this order. Check that data monitor displays "5 bar" or less when brake pedal is depress. Refer to [BRC-88. "Reference Value"](#).

Is the inspection result normal?

YES >> INSPECTION END

NO >> GO TO 5.

5.CHECK STOP LAMP SWITCH CLEARANCE

1. Turn the ignition switch OFF.
2. Check stop lamp switch clearance. Refer to [BR-7. "Inspection and Adjustment"](#).

Is the inspection result normal?

YES >> GO TO 7.

NO >> Adjust stop lamp switch clearance. Refer to [BR-7. "Inspection and Adjustment"](#). GO TO 6.

6.CHECK DATA MONITOR (2)

1. Erase Self-diagnosis result for "ABS" with CONSULT.
2. Turn the ignition switch OFF, and wait 10 seconds or more.
3. Start the engine.

CAUTION:

Never start the vehicle.

4. Select "ABS", "DATA MONITOR" and "STOP LAMP SW" according to this order with CONSULT. Check that data monitor displays "On" or "Off" when brake pedal is depress or release. Refer to [BRC-88. "Reference Value"](#).
5. Select "ABS", "DATA MONITOR" and "pressure sensor" according to this order. Check that data monitor displays "5 bar" or less when brake pedal is depress. Refer to [BRC-88. "Reference Value"](#).

Is the inspection result normal?

YES >> INSPECTION END

NO >> GO TO 7.

7.CHECK STOP LAMP SWITCH

Check stop lamp switch. Refer to [BRC-49. "Component Inspection"](#).

Is the inspection result normal?

YES >> GO TO 9.

NO >> Replace stop lamp switch. Refer to [BR-17. "Exploded View"](#). GO TO 8.

8.CHECK DATA MONITOR (3)

1. Erase Self-diagnosis result for "ABS" with CONSULT.
2. Turn the ignition switch OFF, and wait 10 seconds or more.
3. Start the engine.

CAUTION:

Never start the vehicle.

4. Select "ABS", "DATA MONITOR" and "STOP LAMP SW" according to this order with CONSULT. Check that data monitor displays "On" or "Off" when brake pedal is depress or release. Refer to [BRC-88. "Reference Value"](#).

C1116 STOP LAMP SWITCH

[VDC/TCS/ABS]

< DTC/CIRCUIT DIAGNOSIS >

5. Select "ABS", "DATA MONITOR" and "pressure sensor" according to this order. Check that data monitor displays "5 bar" or less when brake pedal is depress. Refer to [BRC-88, "Reference Value"](#).

Is the inspection result normal?

- YES >> INSPECTION END
NO >> GO TO 9.

9.CHECK CONNECTOR AND TERMINAL

1. Turn the ignition switch OFF.
2. Disconnect ABS actuator and electric unit (control unit) harness connector.
3. Check ABS actuator and electric unit (control unit) harness connector for disconnection or looseness.
4. Check ABS actuator and electric unit (control unit) pin terminals for damage or loose connection with harness connector.
5. Disconnect stop lamp switch harness connector.
6. Check stop lamp switch harness connector for disconnection or looseness.
7. Check stop lamp switch pin terminals for damage or loose connection with harness connector.

Is the inspection result normal?

- YES >> GO TO 11.
NO >> Repair or replace error-detected parts. GO TO 10.

10.CHECK DATA MONITOR (4)

1. Connect ABS actuator and electric unit (control unit) harness connector.
2. Connect stop lamp switch harness connector.
3. Erase Self-diagnosis result for "ABS" with CONSULT.
4. Turn the ignition switch OFF, and wait 10 seconds or more.
5. Start the engine.
CAUTION:
Never start the vehicle.
6. Select "ABS", "DATA MONITOR" and "STOP LAMP SW" according to this order with CONSULT. Check that data monitor displays "On" or "Off" when brake pedal is depress or release. Refer to [BRC-88, "Reference Value"](#).
7. Select "ABS", "DATA MONITOR" and "pressure sensor" according to this order. Check that data monitor displays "5 bar" or less when brake pedal is depress. Refer to [BRC-88, "Reference Value"](#).

Is the inspection result normal?

- YES >> INSPECTION END
NO >> GO TO 11.

11.CHECK STOP LAMP SWITCH CIRCUIT (1)

1. Turn the ignition switch OFF.
2. Disconnect ABS actuator and electric unit (control unit) harness connector.
3. Check voltage between ABS actuator and electric unit (control unit) harness connector and ground.

ABS actuator and electric unit (control unit)		—	Condition	Voltage
Connector	Terminal			
E36	20	Ground	Brake pedal depressed	Battery voltage
			Brake pedal not depressed	Approx. 0 V

4. Turn the ignition switch ON.
5. Check voltage between ABS actuator and electric unit (control unit) harness connector and ground.

ABS actuator and electric unit (control unit)		—	Condition	Voltage
Connector	Terminal			
E36	20	Ground	Brake pedal depressed	Battery voltage
			Brake pedal not depressed	Approx. 0 V

Is the inspection result normal?

- YES >> Replace ABS actuator and electric unit (control unit). Refer to [BRC-109, "Exploded View"](#).
NO >> Repair or replace error-detected parts. GO TO 12.

C1116 STOP LAMP SWITCH

< DTC/CIRCUIT DIAGNOSIS >

[VDC/TCS/ABS]

12.CHECK STOP LAMP SWITCH CIRCUIT (2)

1. Turn the ignition switch OFF.
2. Disconnect stop lamp switch harness connector.
3. Check continuity between ABS actuator and electric unit (control unit) harness connector and stop lamp switch harness connector.

ABS actuator and electric unit (control unit)		Stop lamp switch		Continuity
Connector	Terminal	Connector	Terminal	
E36	20	E114*1	2	Existed
		E115*2		

*1: With M/T

*2: With CVT

4. Check continuity between ABS actuator and electric unit (control unit) harness connector and the ground.

ABS actuator and electric unit (control unit)		—	Continuity
Connector	Terminal		
E36	20	Ground	Not existed

Is the inspection result normal?

YES >> Replace ABS actuator and electric unit (control unit). Refer to [BRC-109, "Exploded View"](#).

NO >> Repair or replace error-detected parts. GO TO 13.

13.CHECK DATA MONITOR (5)

1. Connect ABS actuator and electric unit (control unit) harness connector.
2. Connect stop lamp switch harness connector.
3. Erase Self-diagnosis result for "ABS" with CONSULT.
4. Turn the ignition switch OFF, and wait 10 seconds or more.
5. Start the engine.
CAUTION:
Never start the vehicle.
6. Select "ABS", "DATA MONITOR" and "STOP LAMP SW" according to this order with CONSULT. Check that data monitor displays "On" or "Off" when brake pedal is depress or release. Refer to [BRC-88, "Reference Value"](#).
7. Select "ABS", "DATA MONITOR" and "pressure sensor" according to this order. Check that data monitor displays "5 bar" or less when brake pedal is depress. Refer to [BRC-88, "Reference Value"](#).

Is the inspection result normal?

YES >> INSPECTION END

NO >> Replace ABS actuator and electric unit (control unit). Refer to [BRC-109, "Exploded View"](#).

Component Inspection

INFOID:0000000007769785

1.CHECK STOP LAMP SWITCH

1. Turn the ignition switch OFF.
2. Disconnect stop lamp switch harness connector.
3. Check continuity between stop lamp switch harness connector terminals.

Stop lamp switch	Condition	Continuity
Terminal		
1 - 2	Release stop lamp switch (When brake pedal is depressed.)	Existed
	Push stop lamp switch (When brake pedal is released.)	Not existed

Is the inspection result normal?

YES >> INSPECTION END

C1116 STOP LAMP SWITCH

[VDC/TCS/ABS]

< DTC/CIRCUIT DIAGNOSIS >

NO >> Replace stop lamp switch. Refer to [BR-17. "Exploded View"](#).

Special Repair Requirement

INFOID:000000007769786

1. ADJUSTMENT OF STEERING ANGLE SENSOR NEUTRAL POSITION

Always perform the neutral position adjustment for the steering angle sensor, when replacing the ABS actuator and electric unit (control unit) or steering angle sensor and removing steering angle sensor. Refer to [BRC-9. "Special Repair Requirement"](#)

>> END

C1120, C1122, C1124, C1126 IN ABS SOL

< DTC/CIRCUIT DIAGNOSIS >

[VDC/TCS/ABS]

C1120, C1122, C1124, C1126 IN ABS SOL

Description

INFOID:000000007769787

The solenoid valve increases, holds or decreases the fluid pressure of each brake caliper according to the signals transmitted by the ABS actuator and electric unit (control unit).

DTC Logic

INFOID:000000007769788

DTC DETECTION LOGIC

DTC	Display item	Malfunction detected condition	Possible cause
C1120	FR LH IN ABS SOL	When the control unit detects a malfunction in the front LH inlet solenoid circuit.	<ul style="list-style-type: none"> • Harness or connector • ABS actuator and electric unit (control unit)
C1122	FR RH IN ABS SOL	When the control unit detects a malfunction in the front RH inlet solenoid circuit.	
C1124	RR LH IN ABS SOL	When the control unit detects a malfunction in the rear LH inlet solenoid circuit.	
C1126	RR RH IN ABS SOL	When the control unit detects a malfunction in the rear RH inlet solenoid circuit.	

DTC CONFIRMATION PROCEDURE

1. PRECONDITIONING

If "DTC CONFIRMATION PROCEDURE" has been previously conducted, always turn ignition switch OFF and wait at least 10 seconds before conducting the next test.

>> GO TO 2.

2. DTC REPRODUCTION PROCEDURE

1. Turn the ignition switch ON.
2. Perform self-diagnosis for "ABS" with CONSULT.

Is DTC "C1120", "C1122", "C1124" or "C1126" detected?

- YES >> Proceed to diagnosis procedure. Refer to [BRC-51, "Diagnosis Procedure"](#).
 NO >> INSPECTION END

Diagnosis Procedure

INFOID:000000007769789

1. CHECK SOLENOID POWER SUPPLY

1. Turn the ignition switch OFF.
2. Disconnect ABS actuator and electric unit (control unit) harness connector.
3. Check the 30A fuse (K).
4. Check voltage between ABS actuator and electric unit (control unit) harness connector and ground.

ABS actuator and electric unit (control unit)		—	Voltage
Connector	Terminal		
E36	3	Ground	Battery voltage

Is the inspection result normal?

- YES >> GO TO 2.
 NO >> Repair or replace error-detected parts.

2. CHECK SOLENOID GROUND

Check continuity between ABS actuator and electric unit (control unit) harness connector and ground.

ABS actuator and electric unit (control unit)		—	Continuity
Connector	Terminal		
E36	1	Ground	Existed
	4		

Is the inspection result normal?

YES >> GO TO 3.

NO >> Repair or replace error-detected parts.

3.CHECK TERMINALS AND HARNESS CONNECTORS

Check ABS actuator and electric unit (control unit) pin terminals for damage or loose connection with harness connector.

Is the inspection result normal?

YES >> Replace ABS actuator and electric unit (control unit). Refer to [BRC-109, "Exploded View"](#).

NO >> Repair or replace error-detected parts.

Special Repair Requirement

INFOID:000000007769790

1.AJUSTMENT OF STEERING ANGLE SENSOR NEUTRAL POSITION

Always perform the neutral position adjustment for the steering angle sensor, when replacing the ABS actuator and electric unit (control unit) or steering angle sensor and removing steering angle sensor. Refer to [BRC-9, "Special Repair Requirement"](#)

>> END

C1121, C1123, C1125, C1127 OUT ABS SOL

< DTC/CIRCUIT DIAGNOSIS >

[VDC/TCS/ABS]

C1121, C1123, C1125, C1127 OUT ABS SOL

Description

INFOID:000000007769791

The solenoid valve increases, holds or decreases the fluid pressure of each brake caliper according to the signals transmitted by the ABS actuator and electric unit (control unit).

DTC Logic

INFOID:000000007769792

DTC DETECTION LOGIC

DTC	Display item	Malfunction detected condition	Possible cause
C1121	FR LH OUT ABS SOL	When the control unit detects a malfunction in the front LH outlet solenoid circuit.	<ul style="list-style-type: none">• Harness or connector• ABS actuator and electric unit (control unit)
C1123	FR RH OUT ABS SOL	When the control unit detects a malfunction in the front RH outlet solenoid circuit.	
C1125	RR LH OUT ABS SOL	When the control unit detects a malfunction in the rear LH outlet solenoid circuit.	
C1127	RR RH OUT ABS SOL	When the control unit detects a malfunction in the rear RH outlet solenoid circuit.	

DTC CONFIRMATION PROCEDURE

1. PRECONDITIONING

If "DTC CONFIRMATION PROCEDURE" has been previously conducted, always turn ignition switch OFF and wait at least 10 seconds before conducting the next test.

>> GO TO 2.

2. DTC REPRODUCTION PROCEDURE

1. Turn the ignition switch ON.
2. Perform self-diagnosis for "ABS" with CONSULT.

Is DTC "C1121", "C1123", "C1125" or "C1127" detected?

- YES >> Proceed to diagnosis procedure. Refer to [BRC-53, "Diagnosis Procedure"](#).
NO >> INSPECTION END

Diagnosis Procedure

INFOID:000000007769793

1. CHECK SOLENOID POWER SUPPLY

1. Turn the ignition switch OFF.
2. Disconnect ABS actuator and electric unit (control unit) harness connector.
3. Check the 30A fuse (K).
4. Check voltage between ABS actuator and electric unit (control unit) harness connector and ground.

ABS actuator and electric unit (control unit)		—	Voltage
Connector	Terminal		
E36	3	Ground	Battery voltage

Is the inspection result normal?

- YES >> GO TO 2.
NO >> Repair or replace error-detected parts.

2. CHECK SOLENOID GROUND

Check continuity between ABS actuator and electric unit (control unit) harness connector and ground.

C1121, C1123, C1125, C1127 OUT ABS SOL

< DTC/CIRCUIT DIAGNOSIS >

[VDC/TCS/ABS]

ABS actuator and electric unit (control unit)		—	Continuity
Connector	Terminal		
E36	1	Ground	Existed
	4		

Is the inspection result normal?

YES >> GO TO 3.

NO >> Repair or replace error-detected parts.

3. CHECK TERMINALS AND HARNESS CONNECTORS

Check ABS actuator and electric unit (control unit) pin terminals for damage or loose connection with harness connector.

Is the inspection result normal?

YES >> Replace ABS actuator and electric unit (control unit). Refer to [BRC-109, "Exploded View"](#).

NO >> Repair or replace error-detected parts.

Special Repair Requirement

INFOID:000000007769794

1. ADJUSTMENT OF STEERING ANGLE SENSOR NEUTRAL POSITION

Always perform the neutral position adjustment for the steering angle sensor, when replacing the ABS actuator and electric unit (control unit) or steering angle sensor and removing steering angle sensor. Refer to [BRC-9, "Special Repair Requirement"](#)

>> END

C1130 ENGINE SIGNAL

Description

INFOID:000000007769795

ABS actuator and electric unit (control unit) and ECM exchange the engine signal with CAN communication line.

DTC Logic

INFOID:000000007769796

DTC DETECTION LOGIC

DTC	Display item	Malfunction detected condition	Possible cause
C1130	ENGINE SIGNAL 1	Major engine components are malfunctioning.	<ul style="list-style-type: none"> • Harness or connector • ABS actuator and electric unit (control unit) • ECM • CAN communication line

DTC CONFIRMATION PROCEDURE

1. PRECONDITIONING

If "DTC CONFIRMATION PROCEDURE" has been previously conducted, always turn ignition switch OFF and wait at least 10 seconds before conducting the next test.

>> GO TO 2.

2. DTC REPRODUCTION PROCEDURE

1. Turn the ignition switch ON.
2. Perform self-diagnosis for "ABS" with CONSULT.

Is DTC "C1130" detected?

- YES >> Proceed to diagnosis procedure. Refer to [BRC-55, "Diagnosis Procedure"](#).
 NO >> INSPECTION END

Diagnosis Procedure

INFOID:000000007769797

1. PERFORM ECM SELF-DIAGNOSIS

Perform self-diagnosis for "ENGINE" with CONSULT.

Is any DTC detected?

- YES >> Check the DTC. Refer to [EC-117, "CONSULT Function"](#) (Except for California), [EC-600, "CONSULT Function"](#) (For California).
 NO >> GO TO 2.

2. PERFORM ABS ACTUATOR AND ELECTRIC UNIT (CONTROL UNIT) SELF-DIAGNOSIS

1. Erase self-diagnosis results for "ABS" with CONSULT.
2. Turn the ignition switch OFF.
3. Start the engine. Drive the vehicle for a while.
4. Make sure that malfunction indicator lamp (MIL) turns OFF.
5. Stop the engine. Perform self-diagnosis for "ABS" with CONSULT.

Is DTC "C1130" detected?

- YES >> Replace ABS actuator and electric unit (control unit). Refer to [BRC-109, "Exploded View"](#).
 NO >> Check ABS actuator and electric unit (control unit) harness connector terminals for damage or loose connection with harness connector. If any items are damaged, repair or replace error-detected parts.

Special Repair Requirement

INFOID:000000007769798

1. ADJUSTMENT OF STEERING ANGLE SENSOR NEUTRAL POSITION

C1130 ENGINE SIGNAL

[VDC/TCS/ABS]

< DTC/CIRCUIT DIAGNOSIS >

Always perform the neutral position adjustment for the steering angle sensor, when replacing the ABS actuator and electric unit (control unit) or steering angle sensor and removing steering angle sensor. Refer to [BRC-9. "Special Repair Requirement"](#)

>> END

C1140 ACTUATOR RELAY SYSTEM

< DTC/CIRCUIT DIAGNOSIS >

[VDC/TCS/ABS]

C1140 ACTUATOR RELAY SYSTEM

Description

INFOID:000000007769799

Activates or deactivates each solenoid valve according to the signals transmitted by the ABS actuator and electric unit (control unit).

DTC Logic

INFOID:000000007769800

DTC DETECTION LOGIC

DTC	Display item	Malfunction detected condition	Possible cause
C1140	ACTUATOR RLY	When the control unit detects a malfunction in the actuator relay system.	<ul style="list-style-type: none"> • Harness or connector • ABS actuator and electric unit (control unit)

DTC CONFIRMATION PROCEDURE

1. PRECONDITIONING

If "DTC CONFIRMATION PROCEDURE" has been previously conducted, always turn ignition switch OFF and wait at least 10 seconds before conducting the next test.

>> GO TO 2.

2. DTC REPRODUCTION PROCEDURE

1. Turn the ignition switch ON.
2. Perform self-diagnosis for "ABS" with CONSULT.

Is DTC "C1140" detected?

- YES >> Proceed to diagnosis procedure. Refer to [BRC-57, "Diagnosis Procedure"](#).
 NO >> INSPECTION END

Diagnosis Procedure

INFOID:000000007769801

1. CHECK ACTUATOR RELAY POWER SUPPLY

1. Turn the ignition switch OFF.
2. Disconnect ABS actuator and electric unit (control unit) harness connector.
3. Check the 30A fuse (K).
4. Check voltage between ABS actuator and electric unit (control unit) harness connector and ground.

ABS actuator and electric unit (control unit)		—	Voltage
Connector	Terminal		
E36	3	Ground	Battery voltage

Is the inspection result normal?

- YES >> GO TO 2.
 NO >> Repair or replace error-detected parts.

2. CHECK ACTUATOR RELAY GROUND

Check continuity between ABS actuator and electric unit (control unit) harness connector and ground.

ABS actuator and electric unit (control unit)		—	Continuity
Connector	Terminal		
E36	1	Ground	Existed
	4		

Is the inspection result normal?

- YES >> GO TO 3.

C1140 ACTUATOR RELAY SYSTEM

[VDC/TCS/ABS]

< DTC/CIRCUIT DIAGNOSIS >

NO >> Repair or replace error-detected parts.

3. CHECK TERMINALS AND HARNESS CONNECTORS

Check ABS actuator and electric unit (control unit) pin terminals for damage or loose connection with harness connector.

Is the inspection result normal?

YES >> Replace ABS actuator and electric unit (control unit). Refer to [BRC-109, "Exploded View"](#).

NO >> Repair or replace error-detected parts.

Special Repair Requirement

INFOID:000000007769802

1. ADJUSTMENT OF STEERING ANGLE SENSOR NEUTRAL POSITION

Always perform the neutral position adjustment for the steering angle sensor, when replacing the ABS actuator and electric unit (control unit) or steering angle sensor and removing steering angle sensor. Refer to [BRC-9, "Special Repair Requirement"](#)

>> END

C1142 PRESS SENSOR

Description

INFOID:000000007769803

The pressure sensor converts the brake fluid pressure to an electric signal and transmits it to the ABS actuator and electric unit (control unit). [The pressure sensor is integrated in the ABS actuator and electric unit (control unit).]

DTC Logic

INFOID:000000007769804

DTC DETECTION LOGIC

DTC	Display item	Malfunction detected condition	Possible cause
C1142	PRESS SEN CIRCUIT	Pressure sensor signal line is open or shorted, or pressure sensor is malfunctioning.	<ul style="list-style-type: none"> • Harness or connector • Stop lamp switch • ABS actuator and electric unit (control unit) • Brake system

DTC CONFIRMATION PROCEDURE

1. PRECONDITIONING

If "DTC CONFIRMATION PROCEDURE" has been previously conducted, always turn ignition switch OFF and wait at least 10 seconds before conducting the next test.

>> GO TO 2.

2. DTC REPRODUCTION PROCEDURE

1. Turn the ignition switch ON.
2. Perform self-diagnosis for "ABS" with CONSULT.

Is DTC "C1142" detected?

- YES >> Proceed to diagnosis procedure. Refer to [BRC-59, "Diagnosis Procedure"](#).
 NO >> INSPECTION END

Diagnosis Procedure

INFOID:000000007769805

1. CHECK STOP LAMP SWITCH

Check stop lamp switch system. Refer to [BRC-46, "Diagnosis Procedure"](#).

Is the inspection result normal?

- YES >> GO TO 2.
 NO >> Repair or replace error-detected parts.

2. CHECK BRAKE SYSTEM

1. Check brake fluid leakage: refer to [BR-10, "Inspection"](#).
2. Check brake piping: refer to [BR-22, "FRONT : Inspection"](#) (front), [BR-24, "REAR : Inspection"](#) (rear).
3. Check brake pedal: refer to [BR-7, "Inspection and Adjustment"](#).
4. Check master cylinder: refer to [BR-12, "Inspection"](#).
5. Check brake booster: refer to [BR-13, "Inspection"](#).
6. Check front disc brake: refer to [BR-38, "BRAKE CALIPER ASSEMBLY : Inspection"](#).
7. Check rear drum brake: refer to [BR-41, "Inspection and Adjustment"](#).

Is the inspection result normal?

- YES >> GO TO 3.
 NO >> Repair or replace error-detected parts.

3. PERFORM SELF-DIAGNOSIS

Perform self-diagnosis for "ABS" with CONSULT.

Is the inspection result normal?

- YES >> Replace ABS actuator and electric unit (control unit). Refer to [BRC-109, "Exploded View"](#).

C1142 PRESS SENSOR

< DTC/CIRCUIT DIAGNOSIS >

[VDC/TCS/ABS]

NO >> Check ABS actuator and electric unit (control unit) harness connector terminals for damage or loose connection with harness connector. If any items are damaged, repair or replace error-detected parts.

Special Repair Requirement

INFOID:000000007769806

1. ADJUSTMENT OF STEERING ANGLE SENSOR NEUTRAL POSITION

Always perform the neutral position adjustment for the steering angle sensor, when replacing the ABS actuator and electric unit (control unit) or steering angle sensor and removing steering angle sensor. Refer to [BRC-9. "Special Repair Requirement"](#)

>> END

C1143 STEERING ANGLE SENSOR

< DTC/CIRCUIT DIAGNOSIS >

[VDC/TCS/ABS]

C1143 STEERING ANGLE SENSOR

Description

INFOID:000000007769807

The steering angle sensor detects the rotation amount, angular velocity and direction of the steering wheel, and transmits the data to the ABS actuator and electric unit (control unit) via CAN communication.

DTC Logic

INFOID:000000007769808

DTC DETECTION LOGIC

DTC	Display item	Malfunction detected condition	Possible cause
C1143	ST ANG SEN CIRCUIT	Steering angle sensor is malfunctioning.	<ul style="list-style-type: none"> • Harness or connector • Steering angle sensor • ABS actuator and electric unit (control unit)

DTC CONFIRMATION PROCEDURE

1. PRECONDITIONING

If "DTC CONFIRMATION PROCEDURE" has been previously conducted, always turn ignition switch OFF and wait at least 10 seconds before conducting the next test.

>> GO TO 2.

2. DTC REPRODUCTION PROCEDURE

1. Turn the ignition switch ON.
2. Perform self-diagnosis for "ABS" with CONSULT.

Is DTC "C1143" detected?

- YES >> Proceed to diagnosis procedure. Refer to [BRC-61, "Diagnosis Procedure"](#).
 NO >> INSPECTION END

Diagnosis Procedure

INFOID:000000007769809

1. CHECK STEERING ANGLE SENSOR POWER SUPPLY

1. Turn the ignition switch OFF.
2. Disconnect steering angle sensor harness connector.
3. Check the voltage between steering angle sensor harness connector and ground.

Steering angle sensor		—	Voltage
Connector	Terminal		
M30	4	Ground	Approx. 0 V

4. Turn the ignition switch ON.
CAUTION:
Never start the engine.
5. Check the voltage between steering angle sensor harness connector and ground.

Steering angle sensor		—	Voltage
Connector	Terminal		
M30	4	Ground	Battery voltage

Is the inspection result normal?

- YES >> GO TO 3.
 NO >> GO TO 2.

2. CHECK STEERING ANGLE SENSOR CIRCUIT

1. Turn the ignition switch OFF.

C1143 STEERING ANGLE SENSOR

[VDC/TCS/ABS]

< DTC/CIRCUIT DIAGNOSIS >

2. Disconnect IPDM E/R harness connector.
3. Check continuity between steering angle sensor harness connector and IPDM E/R harness connector.

Steering angle sensor		IPDM E/R		Continuity
Connector	Terminal	Connector	Terminal	
M30	4	E15	60	Existed

Is the inspection result normal?

YES >> Perform the trouble diagnosis for ignition power supply circuit. Refer to [PG-18. "Wiring Diagram - IGNITION POWER SUPPLY -"](#)

NO >> Repair or replace error-detected parts.

3.CHECK STEERING ANGLE SENSOR GROUND

Check continuity between steering angle sensor harness connector and ground.

Steering angle sensor		—	Continuity
Connector	Terminal		
M30	1	Ground	Existed

Is the inspection result normal?

YES >> GO TO 4.

NO >> Repair or replace error-detected parts.

4.CHECK DATA LINE

Check "STRG BRANCH LINE CIRCUIT". Refer to [LAN-37. "Diagnosis Procedure"](#).

Is the inspection result normal?

YES >> GO TO 5.

NO >> Repair or replace error-detected parts. Refer to [BRC-103. "Precautions for Harness Repair"](#).

5.CHECK TERMINALS AND HARNESS CONNECTORS

1. Check steering angle sensor pin terminals for damage or loose connection with harness connector.
2. Check IPDM E/R pin terminals for damage or loose connection with harness connector.
3. Check ABS actuator and electric unit (control unit) pin terminals for damage or loose connection with harness connector.

Is the inspection result normal?

YES >> Replace ABS actuator and electric unit (control unit). Refer to [BRC-109. "Exploded View"](#).

NO >> Repair or replace error-detected parts.

Special Repair Requirement

INFOID:000000007769810

1.AJUSTMENT OF STEERING ANGLE SENSOR NEUTRAL POSITION

Always perform the neutral position adjustment for the steering angle sensor, when replacing the ABS actuator and electric unit (control unit) or steering angle sensor and removing steering angle sensor. Refer to [BRC-9. "Special Repair Requirement"](#)

>> END

C1144 INCOMPLETE STEERING ANGLE SENSOR ADJUSTMENT

< DTC/CIRCUIT DIAGNOSIS >

[VDC/TCS/ABS]

C1144 INCOMPLETE STEERING ANGLE SENSOR ADJUSTMENT

Description

INFOID:000000007769811

The steering angle sensor detects the rotation amount, angular velocity and direction of the steering wheel, and transmits the data to the ABS actuator and electric unit (control unit) via CAN communication.

DTC Logic

INFOID:000000007769812

DTC DETECTION LOGIC

DTC	Display item	Malfunction detected condition	Possible cause
C1144	ST ANG SEN SIGNAL	Neutral position of steering angle sensor is not finished.	<ul style="list-style-type: none">• Harness or connector• Steering angle sensor• ABS actuator and electric unit (control unit)

DTC CONFIRMATION PROCEDURE

1. PRECONDITIONING

If "DTC CONFIRMATION PROCEDURE" has been previously conducted, always turn ignition switch OFF and wait at least 10 seconds before conducting the next test.

>> GO TO 2.

2. DTC REPRODUCTION PROCEDURE

1. Turn the ignition switch ON.
2. Select "ABS", "WORK SUPPORT" and "ST ANG SEN ADJUSTMENT" in order with CONSULT, and perform adjust the neutral position of steering angle sensor.
3. Perform self-diagnosis for "ABS" with CONSULT.

Is DTC "C1144" detected?

- YES >> Proceed to diagnosis procedure. Refer to [BRC-63. "Diagnosis Procedure"](#).
NO >> INSPECTION END

Diagnosis Procedure

INFOID:000000007769813

1. CHECK STEERING ANGLE SENSOR

Check steering angle sensor. Refer to [BRC-61. "Diagnosis Procedure"](#).

Is the inspection result normal?

- YES >> Replace ABS actuator and electric unit (control unit). Refer to [BRC-109. "Exploded View"](#).
NO >> Repair or replace error-detected parts.

Special Repair Requirement

INFOID:000000007769814

1. ADJUSTMENT OF STEERING ANGLE SENSOR NEUTRAL POSITION

Always perform the neutral position adjustment for the steering angle sensor, when replacing the ABS actuator and electric unit (control unit) or steering angle sensor and removing steering angle sensor. Refer to [BRC-9. "Special Repair Requirement"](#)

>> END

C1145, C1146 YAW RATE/SIDE G SENSOR

< DTC/CIRCUIT DIAGNOSIS >

[VDC/TCS/ABS]

C1145, C1146 YAW RATE/SIDE G SENSOR

Description

INFOID:000000007769815

The yaw rate/side G sensor detects the yaw rate/side G affecting the vehicle, and transmits the data to the ABS actuator and electric unit (control unit) as an analog voltage signal.

DTC Logic

INFOID:000000007769816

DTC DETECTION LOGIC

DTC	Display item	Malfunction detected condition	Possible cause
C1145	YAW RATE SENSOR	Yaw rate sensor is malfunctioning, or the yaw rate sensor signal line is open or shorted.	<ul style="list-style-type: none">• Harness or connector• ABS actuator and electric unit (control unit)• Yaw rate/side G sensor
C1146	SIDE G-SEN CIRCUIT	Side G sensor is malfunctioning, or circuit of side G sensor is open or shorted.	

DTC CONFIRMATION PROCEDURE

1. PRECONDITIONING

If "DTC CONFIRMATION PROCEDURE" has been previously conducted, always turn ignition switch OFF and wait at least 10 seconds before conducting the next test.

>> GO TO 2.

2. DTC REPRODUCTION PROCEDURE

1. Turn the ignition switch ON.
2. Perform self-diagnosis for "ABS" with CONSULT.

Is DTC "C1145" or "C1146" detected?

- YES >> Proceed to diagnosis procedure. Refer to [BRC-64, "Diagnosis Procedure"](#).
NO >> INSPECTION END

Diagnosis Procedure

INFOID:000000007769817

CAUTION:

- Sudden turns (such as spin turns, acceleration turns), drifting, etc., when VDC function is off (VDC OFF switch "ON") may cause yaw rate/side G sensor system to indicate a malfunction. However, this is not a malfunction, if normal operation can be resumed after restarting engine. Then erase memory of self-diagnosis.
- If vehicle is on turn-table at entrance to parking garage, or on other moving surface, VDC OFF indicator lamp may illuminate and CONSULT self-diagnosis may indicate yaw rate sensor system malfunction. However, in this case there is no malfunction in yaw rate sensor system. Take vehicle off of turn-table or other moving surface, and start the engine. Results will return to normal.

INSPECTION PROCEDURE

1. CHECK YAW RATE/SIDE G SENSOR POWER SUPPLY

1. Turn the ignition switch OFF.
2. Disconnect yaw rate/side G sensor harness connector.
3. Check voltage between yaw rate/side G sensor harness connector and ground.

Yaw rate/side G sensor		—	Voltage
Connector	Terminal		
B38	4	Ground	Approx. 0 V

4. Turn the ignition switch ON.

CAUTION:

Never start the engine.

5. Check voltage between yaw rate/side G sensor harness connector and ground.

C1145, C1146 YAW RATE/SIDE G SENSOR

< DTC/CIRCUIT DIAGNOSIS >

[VDC/TCS/ABS]

Yaw rate/side G sensor		—	Voltage
Connector	Terminal		
B38	4	Ground	Battery voltage

Is the inspection result normal?

- YES >> GO TO 3.
- NO >> GO TO 2.

2.CHECK YAW RATE/SIDE G SENSOR CIRCUIT

1. Turn the ignition switch OFF.
2. Disconnect IPDM E/R harness connector.
3. Check continuity between yaw rate/side G sensor harness connector and IPDM E/R harness connector.

Yaw rate/side G sensor		IPDM E/R		Continuity
Connector	Terminal	Connector	Terminal	
B38	4	E15	60	Existed

Is the inspection result normal?

- YES >> Perform the trouble diagnosis for ignition power supply circuit. Refer to [PG-18. "Wiring Diagram - IGNITION POWER SUPPLY -"](#).
- NO >> Repair or replace error-detected parts.

3.CHECK YAW RATE/SIDE G SENSOR GROUND

Check continuity between yaw rate/side G sensor harness connector and ground.

Yaw rate/side G sensor		—	Continuity
Connector	Terminal		
B38	1	Ground	Existed

Is the inspection result normal?

- YES >> GO TO 4.
- NO >> Repair or replace error-detected parts.

4.CHECK YAW RATE/SIDE G SENSOR CIRCUIT

Check continuity between yaw rate/side G sensor harness connector and ABS actuator electric unit (control unit) harness connector.

Yaw rate/side G sensor		ABS actuator electric unit (control unit)		Continuity
Connector	Terminal	Connector	Terminal	
B38	2	E36	14	Existed
	3		25	

Is the inspection result normal?

- YES >> GO TO 5.
- NO >> Repair or replace error-detected parts.

5.CHECK TERMINALS AND HARNESS CONNECTORS

1. Check yaw rate/side G sensor pin terminals for damage or loose connection with harness connector.
2. Check IPDM E/R pin terminals for damage or loose connection with harness connector.
3. Check ABS actuator and electric unit (control unit) pin terminals for damage or loose connection with harness connector.

Is the inspection result normal?

- YES >> GO TO 6.
- NO >> Repair or replace error-detected parts.

6.REPLACE YAW RATE/SIDE G SENSOR

C1145, C1146 YAW RATE/SIDE G SENSOR

[VDC/TCS/ABS]

< DTC/CIRCUIT DIAGNOSIS >

1. Replace yaw rate/side G sensor. Refer to [BRC-111, "Exploded View"](#).
2. Erase self-diagnosis results for "ABS" with CONSULT.
3. Turn the ignition switch OFF.
4. Turn the ignition switch ON.

CAUTION:

Never start the engine.

5. Perform self-diagnosis for "ABS" with CONSULT.

Is DTC "C1145" or "C1146" detected?

- YES >> Replace ABS actuator and electric unit (control unit). Refer to [BRC-109, "Exploded View"](#).
NO >> INSPECTION END

Special Repair Requirement

INFOID:000000007769818

1. ADJUSTMENT OF STEERING ANGLE SENSOR NEUTRAL POSITION

Always perform the neutral position adjustment for the steering angle sensor, when replacing the ABS actuator and electric unit (control unit) or steering angle sensor and removing steering angle sensor. Refer to [BRC-9, "Special Repair Requirement"](#)

>> END

C1155 BRAKE FLUID LEVEL SWITCH

< DTC/CIRCUIT DIAGNOSIS >

[VDC/TCS/ABS]

C1155 BRAKE FLUID LEVEL SWITCH

Description

INFOID:000000007769819

The brake fluid level switch converts the brake fluid level to an electric signal and transmits it to the ABS actuator and electric unit (control unit).

DTC Logic

INFOID:000000007769820

DTC DETECTION LOGIC

DTC	Display item	Malfunction detected condition	Possible cause
C1155	BR FLUID LEVEL LOW	Brake fluid level is low or communication line between the ABS actuator and electric unit (control unit) and brake fluid level switch is open or shorted.	<ul style="list-style-type: none">• Harness or connector• Brake fluid• Brake fluid level switch• Combination meter

DTC CONFIRMATION PROCEDURE

1. PRECONDITIONING

If "DTC CONFIRMATION PROCEDURE" has been previously conducted, always turn ignition switch OFF and wait at least 10 seconds before conducting the next test.

>> GO TO 2.

2. DTC REPRODUCTION PROCEDURE

1. Turn the ignition switch ON.
2. Perform self-diagnosis for "ABS" with CONSULT.

Is DTC "C1155" detected?

- YES >> Proceed to diagnosis procedure. Refer to [BRC-67, "Diagnosis Procedure"](#).
NO >> INSPECTION END

Diagnosis Procedure

INFOID:000000007769821

1. CHECK BRAKE FLUID LEVEL

1. Turn the ignition switch OFF.
2. Check brake fluid level. Refer to [BR-10, "Inspection"](#).

Is the inspection result normal?

- YES >> GO TO 2.
NO >> Refill brake fluid. Refer to [BR-10, "Refilling"](#).

2. PERFORM SELF-DIAGNOSIS (1)

1. Erase Self-diagnosis result for "ABS" with CONSULT.
2. Turn the ignition switch OFF, and wait 10 seconds or more.
3. Turn the ignition switch ON.

CAUTION:

Never start the engine.

4. Perform self-diagnosis for "ABS" with CONSULT.

Is DTC "C1155" detected?

- YES >> INSPECTION END
NO >> GO TO 3.

3. CHECK BRAKE FLUID LEVEL SWITCH

Check brake fluids level switch. Refer to [BRC-69, "Component Inspection"](#).

Is the inspection result normal?

- YES >> GO TO 5.
NO >> Replace reservoir tank. Refer to [BR-25, "Exploded View"](#). GO TO 4.

C1155 BRAKE FLUID LEVEL SWITCH

[VDC/TCS/ABS]

< DTC/CIRCUIT DIAGNOSIS >

4.PERFORM SELF-DIAGNOSIS (2)

1. Erase Self-diagnosis result for "ABS" with CONSULT.
2. Turn the ignition switch OFF, and wait 10 seconds or more.
3. Turn the ignition switch ON.

CAUTION:

Never start the engine.

4. Perform self-diagnosis for "ABS" with CONSULT.

Is DTC "C1155" detected?

YES >> INSPECTION END

NO >> GO TO 5.

5.CHECK CONNECTOR AND TERMINAL

1. Turn the ignition switch OFF.
2. Disconnect brake fluid level switch harness connector.
3. Check brake fluid level switch harness connector for disconnection or looseness.
4. Check brake fluid level switch pin terminals for damage or loose connection with harness connector.
5. Disconnect combination meter harness connector.
6. Check combination meter harness connector for disconnection or looseness.
7. Check combination meter pin terminals for damage or loose connection with harness connector.

Is the inspection result normal?

YES >> GO TO 7.

NO >> Repair or replace error-detected parts. GO TO 6.

6.PERFORM SELF-DIAGNOSIS (3)

1. Connect brake fluid level switch harness connector.
2. Connect combination meter harness connector.
3. Erase Self-diagnosis result for "ABS" with CONSULT.
4. Turn the ignition switch OFF, and wait 10 seconds or more.
5. Turn the ignition switch ON.

CAUTION:

Never start the engine.

6. Perform self-diagnosis for "ABS" with CONSULT.

Is DTC "C1155" detected?

YES >> INSPECTION END

NO >> GO TO 7.

7.CHECK BRAKE FLUID LEVEL SWITCH HARNESS

1. Turn the ignition switch OFF.
2. Disconnect brake fluid level switch harness connector.
3. Disconnect combination meter harness connector.
4. Check continuity between brake fluid level switch harness connector and combination meter harness connector.

Brake fluid level switch		Combination meter		Continuity
Connector	Terminal	Connector	Terminal	
E37	1	M34	11	Existed

5. Check continuity between brake fluid level switch harness connector and ground.

Brake fluid level switch		—	Continuity
Connector	Terminal		
E37	1	Ground	Not existed

Is the inspection result normal?

YES >> GO TO 8.

NO >> Repair or replace error-detected parts. GO TO 8.

C1155 BRAKE FLUID LEVEL SWITCH

< DTC/CIRCUIT DIAGNOSIS >

[VDC/TCS/ABS]

8. CHECK BRAKE FLUID LEVEL SWITCH GROUND

Check continuity between brake fluid level switch harness connector and ground.

Brake fluid level switch		—	Continuity
Connector	Terminal		
E37	2	Ground	Existed

Is the inspection result normal?

YES >> GO TO 9.

NO >> Repair or replace error-detected parts. GO TO 9.

9. CHECK COMBINATION METER

Check combination meter. Refer to [MWI-30, "CONSULT Function \(METER/M&A\)"](#).

Is the inspection result normal?

YES >> Replace ABS actuator and electric unit (control unit). Refer to [BRC-109, "Exploded View"](#).

NO >> Repair or replace combination meter. Refer to [MWI-90, "Exploded View"](#).

Component Inspection

INFOID:000000007769822

BRC

1. CHECK BRAKE FLUID LEVEL SWITCH

1. Turn the ignition switch OFF.
2. Disconnect brake fluid level switch harness connector.
3. Check continuity between brake fluid level switch harness connector.

Brake fluid level switch	Condition	Continuity
Terminal		
1 - 2	When brake fluid is full in the reservoir tank.	Not existed
	When brake fluid is empty in the reservoir tank.	Existed

Is the inspection result normal?

YES >> INSPECTION END

NO >> Replace reservoir tank. Refer to [BR-25, "Exploded View"](#).

Special Repair Requirement

INFOID:000000007769823

1. ADJUSTMENT OF STEERING ANGLE SENSOR NEUTRAL POSITION

Always perform the neutral position adjustment for the steering angle sensor, when replacing the ABS actuator and electric unit (control unit) or steering angle sensor and removing steering angle sensor. Refer to [BRC-9, "Special Repair Requirement"](#)

>> END

C1164, C1165 CV SYSTEM

< DTC/CIRCUIT DIAGNOSIS >

[VDC/TCS/ABS]

C1164, C1165 CV SYSTEM

Description

INFOID:000000007769824

The cut valve shuts off the normal brake fluid path from the master cylinder, when VDC/TCS is activated.

DTC Logic

INFOID:000000007769825

DTC DETECTION LOGIC

DTC	Display item	Malfunction detected condition	Possible cause
C1164	CV 1	VDC switch-over solenoid valve (CV1) on the primary side is open circuit or shorted, or the control line is open or shorted to the power supply or the ground.	• Harness or connector • ABS actuator and electric unit (control unit)
C1165	CV 2	VDC switch-over solenoid valve (CV2) on the secondary side is open circuit or shorted, or the control line is open or shorted to the power supply or the ground.	

DTC CONFIRMATION PROCEDURE

1. PRECONDITIONING

If "DTC CONFIRMATION PROCEDURE" has been previously conducted, always turn ignition switch OFF and wait at least 10 seconds before conducting the next test.

>> GO TO 2.

2. DTC REPRODUCTION PROCEDURE

1. Turn the ignition switch ON.
2. Perform self-diagnosis for "ABS" with CONSULT.

Is DTC "C1164" or "C1165" detected?

- YES >> Proceed to diagnosis procedure. Refer to [BRC-70, "Diagnosis Procedure"](#).
NO >> INSPECTION END

Diagnosis Procedure

INFOID:000000007769826

1. CHECK ACTUATOR RELAY POWER SUPPLY CIRCUIT

1. Turn the ignition switch ON.
2. Disconnect ABS actuator and electric unit (control unit) harness connector.
3. Check the 30A fuse (K).
4. Check the voltage between ABS actuator and electric unit (control unit) harness connector and ground.

ABS actuator and electric unit (control unit)		—	Voltage
Connector	Terminal		
E36	3	Ground	Battery voltage

Is the inspection result normal?

- YES >> GO TO 2.
NO >> Repair or replace damaged parts.

2. CHECK SOLENOID, VDC SWITCH-OVER VALVE AND ACTUATOR RELAY GROUND CIRCUIT

Check the continuity between ABS actuator and electric unit (control unit) harness connector and ground.

ABS actuator and electric unit (control unit)		—	Continuity
Connector	Terminal		
E36	1	Ground	Existed
	4		

< DTC/CIRCUIT DIAGNOSIS >

Is the inspection result normal?

YES >> GO TO 3.

NO >> Repair or replace damaged parts.

3.CHECK TERMINALS AND HARNESS CONNECTORS

Check ABS actuator and electric unit (control unit) pin terminals for damage or loose connection with harness connector.

Is the inspection result normal?

YES >> Replace ABS actuator and electric unit (control unit). Refer to [BRC-109. "Exploded View"](#).

NO >> Repair or replace error-detected parts.

Special Repair Requirement

INFOID:000000007769827

1.AJUSTMENT OF STEERING ANGLE SENSOR NEUTRAL POSITION

Always perform the neutral position adjustment for the steering angle sensor, when replacing the ABS actuator and electric unit (control unit) or steering angle sensor and removing steering angle sensor. Refer to [BRC-9. "Special Repair Requirement"](#)

>> END

A
B
C
D
E
F
G
H
I
J
K
L
M
N
O
P

BRC

C1166, C1167 SV SYSTEM

Description

INFOID:000000007769828

The suction valve supplies the brake fluid from the master cylinder to the pump, when VDC/TCS is activated.

DTC Logic

INFOID:000000007769829

DTC DETECTION LOGIC

DTC	Display item	Malfunction detected condition	Possible cause
C1166	SV 1	VDC switch-over solenoid valve (SV1) on the primary side is open circuit or shorted, or the control line is open or shorted to the power supply or the ground.	<ul style="list-style-type: none"> • Harness or connector • ABS actuator and electric unit (control unit)
C1167	SV 2	VDC switch-over solenoid valve (SV2) on the secondary side is open circuit or shorted, or the control line is open or shorted to the power supply or the ground.	

DTC CONFIRMATION PROCEDURE

1. PRECONDITIONING

If "DTC CONFIRMATION PROCEDURE" has been previously conducted, always turn ignition switch OFF and wait at least 10 seconds before conducting the next test.

>> GO TO 2.

2. DTC REPRODUCTION PROCEDURE

1. Turn the ignition switch ON.
2. Perform self-diagnosis for "ABS" with CONSULT.

Is DTC "C1166" or "C1167" detected?

- YES >> Proceed to diagnosis procedure. Refer to [BRC-72. "Diagnosis Procedure"](#).
 NO >> INSPECTION END

Diagnosis Procedure

INFOID:000000007769830

1. CHECK ACTUATOR RELAY POWER SUPPLY CIRCUIT

1. Turn the ignition switch ON.
2. Disconnect ABS actuator and electric unit (control unit) harness connector.
3. Check the 30A fuse (K).
4. Check the voltage between ABS actuator and electric unit (control unit) harness connector and ground.

ABS actuator and electric unit (control unit)		—	Voltage
Connector	Terminal		
E36	3	Ground	Battery voltage

Is the inspection result normal?

- YES >> GO TO 2.
 NO >> Repair or replace damaged parts.

2. CHECK SOLENOID, VDC SWITCH-OVER VALVE AND ACTUATOR RELAY GROUND CIRCUIT

Check the continuity between ABS actuator and electric unit (control unit) harness connector and ground.

ABS actuator and electric unit (control unit)		—	Continuity
Connector	Terminal		
E36	1	Ground	Existed
	4		

< DTC/CIRCUIT DIAGNOSIS >

Is the inspection result normal?

YES >> GO TO 3.

NO >> Repair or replace damaged parts.

3.CHECK TERMINALS AND HARNESS CONNECTORS

Check ABS actuator and electric unit (control unit) pin terminals for damage or loose connection with harness connector.

Is the inspection result normal?

YES >> Replace ABS actuator and electric unit (control unit). Refer to [BRC-109. "Exploded View"](#).

NO >> Repair or replace error-detected parts.

Special Repair Requirement

INFOID:000000007769831

1.AJUSTMENT OF STEERING ANGLE SENSOR NEUTRAL POSITION

Always perform the neutral position adjustment for the steering angle sensor, when replacing the ABS actuator and electric unit (control unit) or steering angle sensor and removing steering angle sensor. Refer to [BRC-9. "Special Repair Requirement"](#)

>> END

A
B
C
D
E
G
H
I
J
K
L
M
N
O
P

BRC

U1000 CAN COMM CIRCUIT

Description

INFOID:000000007769832

CAN (Controller Area Network) is a serial communication line for real time application. It is an on-vehicle multiplex communication line with high data communication speed and excellent error detection ability. Many electronic control units are equipped onto a vehicle, and each control unit shares information and links with other control units during operation (not independent). In CAN communication, control units are connected with 2 communication lines (CAN-H line, CAN-L line) allowing a high rate of information transmission with less wiring. Each control unit transmits/receives data but selectively reads required data only.

DTC Logic

INFOID:000000007769833

DTC DETECTION LOGIC

DTC	Display item	Malfunction detected condition	Possible cause
U1000	CAN COMM CIRCUIT	When ABS actuator and electric unit (control unit) is not transmitting or receiving CAN communication signal for 2 seconds or more.	<ul style="list-style-type: none"> • CAN communication line • ABS actuator and electric unit (control unit)

DTC CONFIRMATION PROCEDURE

1. PRECONDITIONING

If "DTC CONFIRMATION PROCEDURE" has been previously conducted, always turn ignition switch OFF and wait at least 10 seconds before conducting the next test.

>> GO TO 2.

2. DTC REPRODUCTION PROCEDURE

1. Turn the ignition switch ON.
2. Perform self-diagnosis for "ABS" with CONSULT.

Is DTC "U1000" detected?

- YES >> Proceed to diagnosis procedure. Refer to [BRC-74, "Diagnosis Procedure"](#).
 NO >> INSPECTION END

Diagnosis Procedure

INFOID:000000007769834

1. PERFORM ABS ACTUATOR AND ELECTRIC UNIT (CONTROL UNIT)

Perform self-diagnosis for "ABS" with CONSULT.

Is DTC "U1000" detected?

- YES >> Proceed to diagnosis procedure. Refer to [LAN-13, "Trouble Diagnosis Flow Chart"](#).
 NO >> INSPECTION END

Special Repair Requirement

INFOID:000000007769835

1. ADJUSTMENT OF STEERING ANGLE SENSOR NEUTRAL POSITION

Always perform the neutral position adjustment for the steering angle sensor, when replacing the ABS actuator and electric unit (control unit) or steering angle sensor and removing steering angle sensor. Refer to [BRC-9, "Special Repair Requirement"](#)

>> END

U1002 SYSTEM COMM (CAN)

Description

INFOID:000000007769836

CAN (Controller Area Network) is a serial communication line for real time application. It is an on-vehicle multiplex communication line with high data communication speed and excellent error detection ability. Many electronic control units are equipped onto a vehicle, and each control unit shares information and links with other control units during operation (not independent). In CAN communication, control units are connected with 2 communication lines (CAN-H line, CAN-L line) allowing a high rate of information transmission with less wiring. Each control unit transmits/receives data but selectively reads required data only.

DTC Logic

INFOID:000000007769837

DTC DETECTION LOGIC

DTC	Display item	Malfunction detected condition	Possible cause
U1002	SYSTEM COMM	When ABS actuator and electric unit (control unit) is not transmitting or receiving CAN communication signal for 2 seconds or less.	<ul style="list-style-type: none"> • CAN communication line • ABS actuator and electric unit (control unit)

A
B
C
D
E
BRC

DTC CONFIRMATION PROCEDURE

1. PRECONDITIONING

If "DTC CONFIRMATION PROCEDURE" has been previously conducted, always turn ignition switch OFF and wait at least 10 seconds before conducting the next test.

>> GO TO 2.

2. DTC REPRODUCTION PROCEDURE

1. Turn the ignition switch ON.
2. Perform self-diagnosis for "ABS" with CONSULT.

Is DTC "U1002" detected?

- YES >> Proceed to diagnosis procedure. Refer to [BRC-75, "Diagnosis Procedure"](#).
- NO >> INSPECTION END

Diagnosis Procedure

INFOID:000000007769838

CAUTION:

- **Never apply 7.0 V or more to the measurement terminal.**
- **Use a tester with open terminal voltage of 7.0 V or less.**
- **Turn the ignition switch OFF and disconnect the battery cable from the negative terminal when checking the harness.**

1. CHECK CAN DIAGNOSIS SUPPORT MONITOR

1. Select "ABS" and "CAN Diagnosis Support Monitor" in order with CONSULT.
2. Check malfunction history between each control unit connected to ABS actuator and electric unit (control unit).

Check the result of "PAST"?

All items are "OK">>Check intermittent incident. Refer to [GI-41, "Intermittent Incident"](#).
"TRANSMIT DIAG" is other than "OK">>GO TO 2.

A control unit other than ABS actuator and electric unit (control unit) is anything other than "OK">>GO TO 3.

2. CHECK TRANSMITTING SIDE UNIT

Check the ABS actuator and electric unit (control unit) harness connector terminals No. 15 and 26 for damage or loose connection.

Is the inspection result normal?

- YES >> Erase self-diagnosis results. Then perform self-diagnosis for "ABS" with CONSULT.
- NO >> Recheck terminals for damage or loose connection. Refer to [BRC-103, "Precautions for Harness Repair"](#).

G
H
I
J
K
L
M
N
O
P

< DTC/CIRCUIT DIAGNOSIS >

3.CHECK APPLICABLE CONTROL UNIT

Check terminals of each CAN communication line harness connector for damage or loose connection.

Is the inspection result normal?

YES >> Erase self-diagnosis results. Then perform self-diagnosis for applicable control unit with CONSULT.

NO >> Recheck terminals for damage or loose connection. Refer to [BRC-103. "Precautions for Harness Repair"](#).

Special Repair Requirement

INFOID:000000007769839

1.AJUSTMENT OF STEERING ANGLE SENSOR NEUTRAL POSITION

Always perform the neutral position adjustment for the steering angle sensor, when replacing the ABS actuator and electric unit (control unit). Refer to [BRC-9. "Special Repair Requirement"](#).

>> END

POWER SUPPLY AND GROUND CIRCUIT

< DTC/CIRCUIT DIAGNOSIS >

[VDC/TCS/ABS]

POWER SUPPLY AND GROUND CIRCUIT

Description

INFOID:000000007769840

Supplies power to ABS actuator and electric unit (control unit).

Diagnosis Procedure

INFOID:000000007769841

1. CHECK ABS ACTUATOR AND ELECTRIC UNIT (CONTROL UNIT) IGNITION POWER SUPPLY

1. Turn the ignition switch OFF.
2. Disconnect ABS actuator and electric unit (control unit) harness connector.
3. Check the voltage between ABS actuator and electric unit (control unit) harness connector and ground.

ABS actuator and electric unit (control unit)		—	Voltage
Connector	Terminal		
E36	18	Ground	Approx. 0 V

4. Turn the ignition switch ON.
CAUTION:
Never start the engine.
5. Check the voltage between ABS actuator and electric unit (control unit) harness connector and ground.

ABS actuator and electric unit (control unit)		—	Voltage
Connector	Terminal		
E36	18	Ground	Battery voltage

Is the inspection result normal?

- YES >> GO TO 3.
NO >> GO TO 2.

2. CHECK ABS ACTUATOR AND ELECTRIC UNIT (CONTROL UNIT) POWER SUPPLY CIRCUIT

1. Check the 10A fuse (57).
2. Disconnect IPDM E/R harness connector.
3. Check the continuity between ABS actuator and electric unit (control unit) harness connector and IPDM E/R harness connector.

ABS actuator and electric unit (control unit)		IPDM E/R		Continuity
Connector	Terminal	Connector	Terminal	
E36	18	E15	60	Existed

4. Check the continuity between ABS actuator and electric unit (control unit) harness connector and ground.

ABS actuator and electric unit (control unit)		—	Continuity
Connector	Terminal		
E36	18	Ground	No existed

Is the inspection result normal?

- YES >> Perform the trouble diagnosis for ignition power supply circuit. Refer to [PG-18, "Wiring Diagram - IGNITION POWER SUPPLY -"](#).
- NO >> Repair or replace error-detected parts.

3. CHECK ABS ACTUATOR AND ELECTRIC UNIT (CONTROL UNIT) POWER SUPPLY

1. Turn the ignition switch OFF.
2. Check the voltage between ABS actuator and electric unit (control unit) harness connector and ground.

A
B
C
D
E
BRC
G
H
I
J
K
L
M
N
O
P

POWER SUPPLY AND GROUND CIRCUIT

< DTC/CIRCUIT DIAGNOSIS >

[VDC/TCS/ABS]

ABS actuator and electric unit (control unit)		—	Voltage
Connector	Terminal		
E41	2	Ground	Battery voltage
	3		

Is the inspection result normal?

YES >> GO TO 4.

NO >> Repair or replace error-detected parts.

4.CHECK ABS ACTUATOR AND ELECTRIC UNIT (CONTROL UNIT) GROUND

Check the continuity between ABS actuator and electric unit (control unit) harness connector and ground.

ABS actuator and electric unit (control unit)		—	Continuity
Connector	Terminal		
E41	1	Ground	Existed
	4		

Is the inspection result normal?

YES >> GO TO 5.

NO >> Repair or replace error-detected parts.

5.CHECK TERMINALS AND HARNESS CONNECTORS

1. Check ABS actuator and electric unit (control unit) pin terminals for damage or loose connection with harness connector.
2. Check IPDM E/R pin terminals for damage or loose connection with harness connector.

Is the inspection result normal?

YES >> Replace ABS actuator and electric unit (control unit). Refer to [BRC-109. "Exploded View"](#).

NO >> Repair or replace error-detected parts.

PARKING BRAKE SWITCH

< DTC/CIRCUIT DIAGNOSIS >

[VDC/TCS/ABS]

PARKING BRAKE SWITCH

Description

INFOID:000000007769842

Operate the parking brake lever, and brake warning lamp in the combination meter turns ON/OFF correctly.

Diagnosis Procedure

INFOID:000000007769843

1.CHECK PARKING BRAKE SWITCH CIRCUIT

1. Turn the ignition switch OFF.
2. Disconnect parking brake switch harness connector.
3. Disconnect combination meter harness connector.
4. Check continuity between parking brake switch harness connector and combination meter harness connector.

Parking brake switch		Combination meter		Continuity
Connector	Terminal	Connector	Terminal	
M11	1	M34	10	Existed

5. Check continuity between parking brake switch harness connector and ground.

Parking brake switch		—	Continuity
Connector	Terminal		
M11	1	Ground	Not existed

Is the inspection result normal?

- YES >> GO TO 2.
NO >> Repair or replace error-detected parts.

2.CHECK PARKING BRAKE SWITCH

Check the parking brake switch. Refer to [BRC-79, "Component Inspection"](#).

Is the inspection result normal?

- YES >> GO TO 3.
NO >> Replace parking brake switch. Refer to [PB-4, "Exploded View"](#).

3.CHECK TERMINALS AND HARNESS CONNECTORS

1. Check parking brake switch pin terminals for damage or loose connection with harness connector.
2. Check combination meter pin terminals for damage or loose connection with harness connector.

Is the inspection result normal?

- YES >> GO TO 4.
NO >> Repair or replace error-detected parts.

4.CHECK PARKING BRAKE SWITCH SIGNAL

Select "ABS", "DATA MONITOR" and "PARK BRAKE SW" in order with CONSULT, and perform the parking brake switch inspection.

Condition	PARK BRAKE SW (DATA MONITOR)
Parking brake lever is active	On
Parking brake lever is inactive	Off

Is the inspection result normal?

- YES >> INSPECTION END
NO >> Check combination meter.

Component Inspection

INFOID:000000007769844

1.CHECK PARKING BRAKE SWITCH

PARKING BRAKE SWITCH

[VDC/TCS/ABS]

< DTC/CIRCUIT DIAGNOSIS >

1. Turn the ignition switch OFF.
2. Disconnect parking brake switch harness connector.
3. Check continuity between parking brake switch harness connector.

Parking brake switch	—	Condition	Continuity
Terminal		When the parking brake switch is operated.	Existed
1	Ground	When the parking brake switch is not operated.	Not existed

Is the inspection result normal?

YES >> INSPECTION END

NO >> Replace parking brake switch. Refer to [PB-4. "Exploded View"](#).

VDC OFF SWITCH

< DTC/CIRCUIT DIAGNOSIS >

[VDC/TCS/ABS]

VDC OFF SWITCH

Description

INFOID:000000007769845

VDC OFF switch can deactivate (turn OFF) the VDC/TCS function by pressing the VDC OFF switch.

Diagnosis Procedure

INFOID:000000007769846

1. CHECK VDC OFF SWITCH CIRCUIT

1. Turn the ignition switch OFF.
2. Disconnect ABS actuator and electric unit (control unit) harness connector.
3. Disconnect VDC OFF switch harness connector.
4. Check the continuity between VDC OFF switch harness connector and ABS actuator and electric unit (control unit) harness connector.

ABS actuator and electric unit (control unit)		VDC OFF switch		Continuity
Connector	Terminal	Connector	Terminal	
E36	21	M5	1	Existed

5. Check the continuity between VDC OFF switch harness connector and ground.

VDC OFF switch		—	Continuity
Connector	Terminal		
M5	1	Ground	Not existed
	2		Existed

Is the inspection result normal?

- YES >> GO TO 2.
NO >> Repair or replace error-detected parts.

2. CHECK VDC OFF SWITCH

Check VDC OFF switch. Refer to [BRC-82, "Component Inspection"](#).

Is the inspection result normal?

- YES >> GO TO 3.
NO >> Replace VDC OFF switch. Refer to [BRC-113, "Removal and Installation"](#).

3. CHECK TERMINALS AND HARNESS CONNECTORS

1. Check ABS actuator and electric unit (control unit) pin terminals for damage or loose connection with harness connector.
2. Check VDC OFF switch pin terminals for damage or loose connection with harness connector.

Is the inspection result normal?

- YES >> GO TO 4.
NO >> Repair or replace error-detected parts.

4. CHECK VDC OFF SWITCH SIGNAL

Select "ABS", "DATA MONITOR" and "OFF SW" in order with CONSULT, and perform the VDC OFF switch inspection.

Condition	OFF SW (DATA MONITOR)
Press the VDC OFF switch when VDC OFF indicator lamp is OFF.	On
Press the VDC OFF switch when VDC OFF indicator lamp is ON.	Off

Is the inspection result normal?

- YES >> INSPECTION END
NO >> Replace ABS actuator and electric unit (control unit). Refer to [BRC-109, "Exploded View"](#).

VDC OFF SWITCH

< DTC/CIRCUIT DIAGNOSIS >

[VDC/TCS/ABS]

Component Inspection

INFOID:000000007769847

1. CHECK VDC OFF SWITCH

1. Turn the ignition switch OFF.
2. Disconnect VDC OFF switch harness connector.
3. Check the continuity between VDC OFF switch harness connector.

VDC OFF switch Terminal	Condition	Continuity
1 - 2	When VDC OFF switch is hold pressed.	Existed
	When releasing VDC OFF switch.	Not existed

Is the inspection result normal?

YES >> INSPECTION END

NO >> Replace VDC OFF switch. Refer to [BRC-113. "Removal and Installation"](#).

Special Repair Requirement

INFOID:000000007769848

1. ADJUSTMENT OF STEERING ANGLE SENSOR NEUTRAL POSITION

Always perform the neutral position adjustment for the steering angle sensor, when replacing the ABS actuator and electric unit (control unit) or steering angle sensor and removing steering angle sensor. Refer to [BRC-9. "Special Repair Requirement"](#)

>> END

ABS WARNING LAMP

< DTC/CIRCUIT DIAGNOSIS >

[VDC/TCS/ABS]

ABS WARNING LAMP

Description

INFOID:000000007769849

×: ON –: OFF

Condition	ABS warning lamp
Ignition switch OFF	–
For 1 second after turning ignition switch ON	×
1 second later after turning ignition switch ON	–
ABS function is malfunctioning.	×
EBD function is malfunctioning.	×

Component Function Check

INFOID:000000007769850

1. CHECK ABS WARNING LAMP OPERATION

Check that the lamp illuminates for approximately 1 second after the ignition switch is turned ON.

CAUTION:

Never start the engine.

Is the inspection result normal?

YES >> INSPECTION END

NO >> Proceed to diagnosis procedure. Refer to [BRC-83, "Diagnosis Procedure"](#).

Diagnosis Procedure

INFOID:000000007769851

1. PERFORM SELF-DIAGNOSIS

Perform self-diagnosis for "ABS" with CONSULT.

Is the inspection result normal?

YES >> GO TO 2.

NO >> Check item displayed by self-diagnosis.

2. CHECK COMBINATION METER

Check if the indication and operation of combination meter are normal. Refer to [MWI-29, "Diagnosis Description"](#).

Is the inspection result normal?

YES >> Replace ABS actuator and electric unit (control unit). Refer to [BRC-109, "Exploded View"](#).

NO >> Repair or replace error-detected parts.

Special Repair Requirement

INFOID:000000007769852

1. ADJUSTMENT OF STEERING ANGLE SENSOR NEUTRAL POSITION

Always perform the neutral position adjustment for the steering angle sensor, when replacing the ABS actuator and electric unit (control unit) or steering angle sensor and removing steering angle sensor. Refer to [BRC-9, "Special Repair Requirement"](#)

>> END

BRAKE WARNING LAMP

Description

INFOID:000000007769853

×: ON –: OFF

Condition	Brake warning lamp (Note 1)
Ignition switch OFF	–
For 1 second after turning ignition switch ON	× (Note 2)
1 second later after turning ignition switch ON	× (Note 2)
ABS function is malfunctioning.	–
EBD function is malfunctioning.	×

NOTE:

- 1: Brake warning lamp will turn on in case of parking brake operation (when switch is ON) or of brake fluid level switch operation (when brake fluid is insufficient).
- 2: After starting the engine, brake warning lamp is turned off.

Component Function Check

INFOID:000000007769854

1. BRAKE WARNING LAMP OPERATION CHECK 1

Check that the lamp illuminates for approximately 1 second after the ignition switch is turned ON.

CAUTION:

Never start the engine.

Is the inspection result normal?

YES >> GO TO 2.

NO >> Proceed to diagnosis procedure. Refer to [BRC-84, "Diagnosis Procedure"](#).

2. BRAKE WARNING LAMP OPERATION CHECK 2

Check that the brake warning lamp in the combination meter turns ON/OFF correctly when operating the parking brake pedal.

NOTE:

Brake warning lamp will turn on in case of parking brake operation (when switch is ON) or of brake fluid level switch operation (when brake fluid is insufficient).

Is the inspection result normal?

YES >> INSPECTION END

NO >> Check parking brake switch. Refer to [BRC-79, "Component Inspection"](#).

Diagnosis Procedure

INFOID:000000007769855

1. PERFORM SELF-DIAGNOSIS

Perform self-diagnosis for "ABS" with CONSULT.

Is the inspection result normal?

YES >> GO TO 2.

NO >> Check item displayed by self-diagnosis.

2. CHECK COMBINATION METER

Check if the indication and operation of combination meter are normal. Refer to [MWI-29, "Diagnosis Description"](#).

Is the inspection result normal?

YES >> Replace ABS actuator and electric unit (control unit). Refer to [BRC-109, "Exploded View"](#).

NO >> Repair or replace error-detected parts.

Special Repair Requirement

INFOID:000000007769856

1. ADJUSTMENT OF STEERING ANGLE SENSOR NEUTRAL POSITION

BRAKE WARNING LAMP

< DTC/CIRCUIT DIAGNOSIS >

[VDC/TCS/ABS]

Always perform the neutral position adjustment for the steering angle sensor, when replacing the ABS actuator and electric unit (control unit) or steering angle sensor and removing steering angle sensor. Refer to [BRC-9. "Special Repair Requirement"](#)

>> END

A
B
C
D
E
G
H
I
J
K
L
M
N
O
P

BRC

VDC OFF INDICATOR LAMP

< DTC/CIRCUIT DIAGNOSIS >

[VDC/TCS/ABS]

VDC OFF INDICATOR LAMP

Description

INFOID:000000007769857

×: ON –: OFF

Condition	VDC OFF indicator lamp
Ignition switch OFF	–
For 1 second after turning ignition switch ON	×
1 second later after turning ignition switch ON	–
VDC OFF switch turned ON. (VDC function is OFF.)	×
VDC/TCS function is malfunctioning.	×
ABS function is malfunctioning.	×
EBD function is malfunctioning.	×

Component Function Check

INFOID:000000007769858

1.VDC OFF INDICATOR LAMP OPERATION CHECK 1

Check that the lamp illuminates for approximately 1 second after the ignition switch is turned ON.

CAUTION:

Never start the engine.

Is the inspection result normal?

YES >> GO TO 2.

NO >> Proceed to diagnosis procedure. Refer to [BRC-86. "Diagnosis Procedure"](#).

2.VDC OFF INDICATOR LAMP OPERATION CHECK 2

Check that the VDC OFF indicator lamp in the combination meter turns ON/OFF correctly when operating the VDC OFF switch.

Is the inspection result normal?

YES >> INSPECTION END

NO >> Check VDC OFF switch. Refer to [BRC-82. "Component Inspection"](#).

Diagnosis Procedure

INFOID:000000007769859

1.PERFORM SELF-DIAGNOSIS

Perform self-diagnosis for "ABS" with CONSULT.

Is the inspection result normal?

YES >> GO TO 2.

NO >> Check items displayed self-diagnosis.

2.CHECK COMBINATION METER

Check if the indication and operation of combination meter are normal. Refer to [MWI-29. "Diagnosis Description"](#).

Is the inspection result normal?

YES >> Replace ABS actuator and electric unit (control unit). Refer to [BRC-109. "Exploded View"](#).

NO >> Repair or replace error-detected parts.

Special Repair Requirement

INFOID:000000007769860

1.AJUSTMENT OF STEERING ANGLE SENSOR NEUTRAL POSITION

Always perform the neutral position adjustment for the steering angle sensor, when replacing the ABS actuator and electric unit (control unit) or steering angle sensor and removing steering angle sensor. Refer to [BRC-9. "Special Repair Requirement"](#)

>> END

VDC WARNING LAMP

< DTC/CIRCUIT DIAGNOSIS >

[VDC/TCS/ABS]

VDC WARNING LAMP

Description

INFOID:000000007769861

×: ON △: Blink –: OFF

Condition	VDC warning lamp
Ignition switch OFF	–
For 1 second after turning ignition switch ON	×
1 second later after turning ignition switch ON	–
VDC/TCS is activated while driving	△
VDC/TCS function is malfunctioning.	×
ABS function is malfunctioning.	×
EBD function is malfunctioning.	×

Component Function Check

INFOID:000000007769862

1. CHECK VDC WARNING LAMP OPERATION

Check that the lamp illuminates for approximately 1 second after the ignition switch is turned ON.

CAUTION:

Never start the engine.

Is the inspection result normal?

YES >> INSPECTION END

NO >> Proceed to diagnosis procedure. Refer to [BRC-87, "Diagnosis Procedure"](#).

Diagnosis Procedure

INFOID:000000007769863

1. PERFORM SELF-DIAGNOSIS

Perform self-diagnosis for "ABS" with CONSULT.

Is the inspection result normal?

YES >> GO TO 2.

NO >> Check items displayed by self-diagnosis.

2. CHECK COMBINATION METER

Check if the indication and operation of combination meter are normal. Refer to [MWI-29, "Diagnosis Description"](#).

Is the inspection result normal?

YES >> Replace ABS actuator and electric unit (control unit). Refer to [BRC-109, "Exploded View"](#).

NO >> Repair or replace error-detected parts.

Special Repair Requirement

INFOID:000000007769864

1. ADJUSTMENT OF STEERING ANGLE SENSOR NEUTRAL POSITION

Always perform the neutral position adjustment for the steering angle sensor, when replacing the ABS actuator and electric unit (control unit) or steering angle sensor and removing steering angle sensor. Refer to [BRC-9, "Special Repair Requirement"](#)

>> END

ABS ACTUATOR AND ELECTRIC UNIT (CONTROL UNIT)

< ECU DIAGNOSIS INFORMATION >

[VDC/TCS/ABS]

ECU DIAGNOSIS INFORMATION

ABS ACTUATOR AND ELECTRIC UNIT (CONTROL UNIT)

Reference Value

INFOID:000000007769865

VALUES ON THE DIAGNOSIS TOOL

CAUTION:

The display shows the control unit calculation data, so a normal value might be displayed even in the event the output circuit (harness) is open or short-circuited.

Monitor item	Display content	Data monitor	
		Condition	Reference value in normal operation
FR LH SENSOR	Wheel speed	Vehicle stopped	0 [km/h (MPH)]
		Vehicle running (Note 1)	Nearly matches the speedometer display ($\pm 10\%$ or less)
FR RH SENSOR	Wheel speed	Vehicle stopped	0 [km/h (MPH)]
		Vehicle running (Note 1)	Nearly matches the speedometer display ($\pm 1\%$ or less)
RR LH SENSOR	Wheel speed	Vehicle stopped	0 [km/h (MPH)]
		Vehicle running (Note 1)	Nearly matches the speedometer display ($\pm 10\%$ or less)
RR RH SENSOR	Wheel speed	Vehicle stopped	0 [km/h (MPH)]
		Vehicle running (Note 1)	Nearly matches the speedometer display ($\pm 10\%$ or less)
BATTERY VOLT	Battery voltage supplied to the ABS actuator and electric unit (control unit)	Ignition switch ON	10 – 16 V
STOP LAMP SW	Stop lamp switch signal status	When brake pedal is depressed	On
		When brake pedal is not depressed	Off
OFF SW	VDC OFF switch ON/OFF	VDC OFF switch ON (When VDC OFF indicator lamp is ON)	On
		VDC OFF switch OFF (When VDC OFF indicator lamp is OF)	Off
GEAR	Gear position determined by TCM	1st gear	0
		2nd gear	1
		3rd gear	2
		4th gear	3
		5th gear	4
		6th gear	5
		7th gear	6
		8th gear	7
		Other	0
SLCT LVR POSI	Sift lever position determined by TCM	Ignition switch ON	P, R, N, D
YAW RATE SEN	Yaw rate detected by yaw rate/side G sensor	Vehicle stopped	Approx. 0 d/s
		Turning right	Negative value
		Turning left	Positive value

ABS ACTUATOR AND ELECTRIC UNIT (CONTROL UNIT)

< ECU DIAGNOSIS INFORMATION >

[VDC/TCS/ABS]

Monitor item	Display content	Data monitor		
		Condition	Reference value in normal operation	
FR RH IN SOL (Note 2)	Operation status of each solenoid valve	Actuator (solenoid valve) is active ("ACTIVE TEST" in "ABS" with CONSULT)	On	A
		When the actuator (solenoid valve) is not active and actuator relay is active (ignition switch ON)	Off	B
FR RH OUT SOL (Note 2)	Operation status of each solenoid valve	Actuator (solenoid valve) is active ("ACTIVE TEST" in "ABS" with CONSULT)	On	C
		When the actuator (solenoid valve) is not active and actuator relay is active (ignition switch ON)	Off	D
FR LH IN SOL (Note 2)	Operation status of each solenoid valve	Actuator (solenoid valve) is active ("ACTIVE TEST" in "ABS" with CONSULT)	On	E
		When the actuator (solenoid valve) is not active and actuator relay is active (ignition switch ON)	Off	BRC
FR LH OUT SOL (Note 2)	Operation status of each solenoid valve	Actuator (solenoid valve) is active ("ACTIVE TEST" in "ABS" with CONSULT)	On	G
		When the actuator (solenoid valve) is not active and actuator relay is active (ignition switch ON)	Off	H
RR RH IN SOL (Note 2)	Operation status of each solenoid valve	Actuator (solenoid valve) is active ("ACTIVE TEST" in "ABS" with CONSULT)	On	I
		When the actuator (solenoid valve) is not active and actuator relay is active (ignition switch ON)	Off	J
RR RH OUT SOL (Note 2)	Operation status of each solenoid valve	Actuator (solenoid valve) is active ("ACTIVE TEST" in "ABS" with CONSULT)	On	K
		When the actuator (solenoid valve) is not active and actuator relay is active (ignition switch ON)	Off	L
RR LH IN SOL (Note 2)	Operation status of each solenoid valve	Actuator (solenoid valve) is active ("ACTIVE TEST" in "ABS" with CONSULT)	On	M
		When the actuator (solenoid valve) is not active and actuator relay is active (ignition switch ON)	Off	N
RR LH OUT SOL (Note 2)	Operation status of each solenoid valve	Actuator (solenoid valve) is active ("ACTIVE TEST" in "ABS" with CONSULT)	On	O
		When the actuator (solenoid valve) is not active and actuator relay is active (ignition switch ON)	Off	P
MOTOR RELAY	Motor and motor relay operation	When the motor relay and motor are operating	On	
		When the motor relay and motor are not operating	Off	
ACTUATOR RLY (Note 2)	Actuator relay operation	When the actuator relay is operating	On	
		When the actuator relay is not operating	Off	
ABS WARN LAMP	ABS warning lamp (Note 3)	When ABS warning lamp is ON	On	
		When ABS warning lamp is OFF	Off	
OFF LAMP	VDC OFF indicator lamp (Note 3)	When VDC OFF indicator lamp is ON	On	
		When VDC OFF indicator lamp is OFF	Off	

ABS ACTUATOR AND ELECTRIC UNIT (CONTROL UNIT)

< ECU DIAGNOSIS INFORMATION >

[VDC/TCS/ABS]

Monitor item	Display content	Data monitor	
		Condition	Reference value in normal operation
SLIP/VDC LAMP	VDC warning lamp (Note 3)	When VDC warning lamp is ON	On
		When VDC warning lamp is OFF	Off
PRESS SENSOR	Brake fluid pressure detected by pressure sensor	With ignition switch turned ON and brake pedal released	Approx. 0 bar
		With ignition switch turned ON and brake pedal depressed	-40 to 300 bar
ACCEL POS SIG	Throttle actuator opening/closing is displayed (linked with accelerator pedal)	Accelerator pedal not depressed (ignition switch is ON)	0 %
		Depress accelerator pedal (ignition switch is ON)	0 - 100 %
SIDE G-SENSOR	Transverse G detected by side G sensor	Vehicle stopped	Approx. 0 m/s ²
		Turning right	Negative value
		Turning left	Positive value
STR ANGLE SIG	Steering angle detected by steering angle sensor	Driving straight	±2.5°
		Turn 90° to right	Approx. +90°
		Turn 90° to left	Approx. -90°
ENGINE RPM	With engine running	With engine stopped	0 [tr/min (rpm)]
		Engine running	Almost in accordance with tachometer display
FLUID LEV SW	Brake fluid level switch signal status	When brake fluid level switch ON	On
		When brake fluid level switch OFF	Off
EBD WARN LAMP	Brake warning lamp (Note 3)	When brake warning lamp is ON	On
		When brake warning lamp is OFF	Off
CV1	VDC switch-over valve	When actuator (switch-over valve) is active ("ACTIVE TEST" in "ABS" with CONSULT)	On
		When actuator (switch-over valve) is not active and actuator relay is active (ignition switch ON)	Off
CV2	VDC switch-over valve	When actuator (switch-over valve) is active ("ACTIVE TEST" in "ABS" with CONSULT)	On
		When actuator (switch-over valve) is not active and actuator relay is active (ignition switch ON)	Off
SV1	VDC switch-over valve	When actuator (switch-over valve) is active ("ACTIVE TEST" in "ABS" with CONSULT)	On
		When actuator (switch-over valve) is not active and actuator relay is active (ignition switch ON)	Off
SV2	VDC switch-over valve	When actuator (switch-over valve) is active ("ACTIVE TEST" in "ABS" with CONSULT)	On
		When actuator (switch-over valve) is not active and actuator relay is active (ignition switch ON)	Off
EBD SIGNAL	EBD operation	EBD is active	On
		EBD is inactive	Off

ABS ACTUATOR AND ELECTRIC UNIT (CONTROL UNIT)

< ECU DIAGNOSIS INFORMATION >

[VDC/TCS/ABS]

Monitor item	Display content	Data monitor	
		Condition	Reference value in normal operation
ABS SIGNAL	ABS operation	ABS is active	On
		ABS is inactive	Off
TCS SIGNAL	TCS operation	TCS is active	On
		TCS is inactive	Off
VDC SIGNAL	VDC operation	VDC is active	On
		VDC is inactive	Off
EBD FAIL SIG	EBD fail-safe signal	In EBD fail-safe	On
		EBD is normal	Off
ABS FAIL SIG	ABS fail-safe signal	In ABS fail-safe	On
		ABS is normal	Off
TCS FAIL SIG	TCS fail-safe signal	In TCS fail-safe	On
		TCS is normal	Off
VDC FAIL SIG	VDC fail-safe signal	In VDC fail-safe	On
		VDC is normal	Off
CRANKING SIG	Crank operation	Crank is active	On
		Crank is inactive	Off
PARK BRAKE SW	Parking brake switch signal status	Parking brake switch is active	On
		Parking brake switch is inactive	Off
V/R OUTPUT	Solenoid valve relay activated	When the solenoid valve relay is active (When ignition switch OFF)	On
		When the solenoid valve relay is not active (in the fail-safe mode)	Off
M/R OUTPUT	Actuator motor and motor relay activated	When the actuator motor and motor relay are active ("ACTIVE TEST" in "ABS" with CONSULT)	On
		When the actuator motor and motor relay are inactive	Off

NOTE:

- 1: Confirm tire pressure is normal.
- 2: A brief moment of On/Off condition occurs every 20 seconds after ignition switch turned ON. This is not malfunction because it is an operation for checking.
- 3: On and off timing for warning lamp and indicator lamp.
 - ABS warning lamp: refer to [BRC-83, "Description"](#).
 - Brake warning lamp: refer to [BRC-84, "Description"](#).
 - VDC OFF indicator lamp: refer to [BRC-86, "Description"](#).
 - VDC warning lamp: refer to [BRC-87, "Description"](#).

A
B
C
D
E
BRC
G
H
I
J
K
L
M
N
O
P

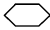
ABS ACTUATOR AND ELECTRIC UNIT (CONTROL UNIT)

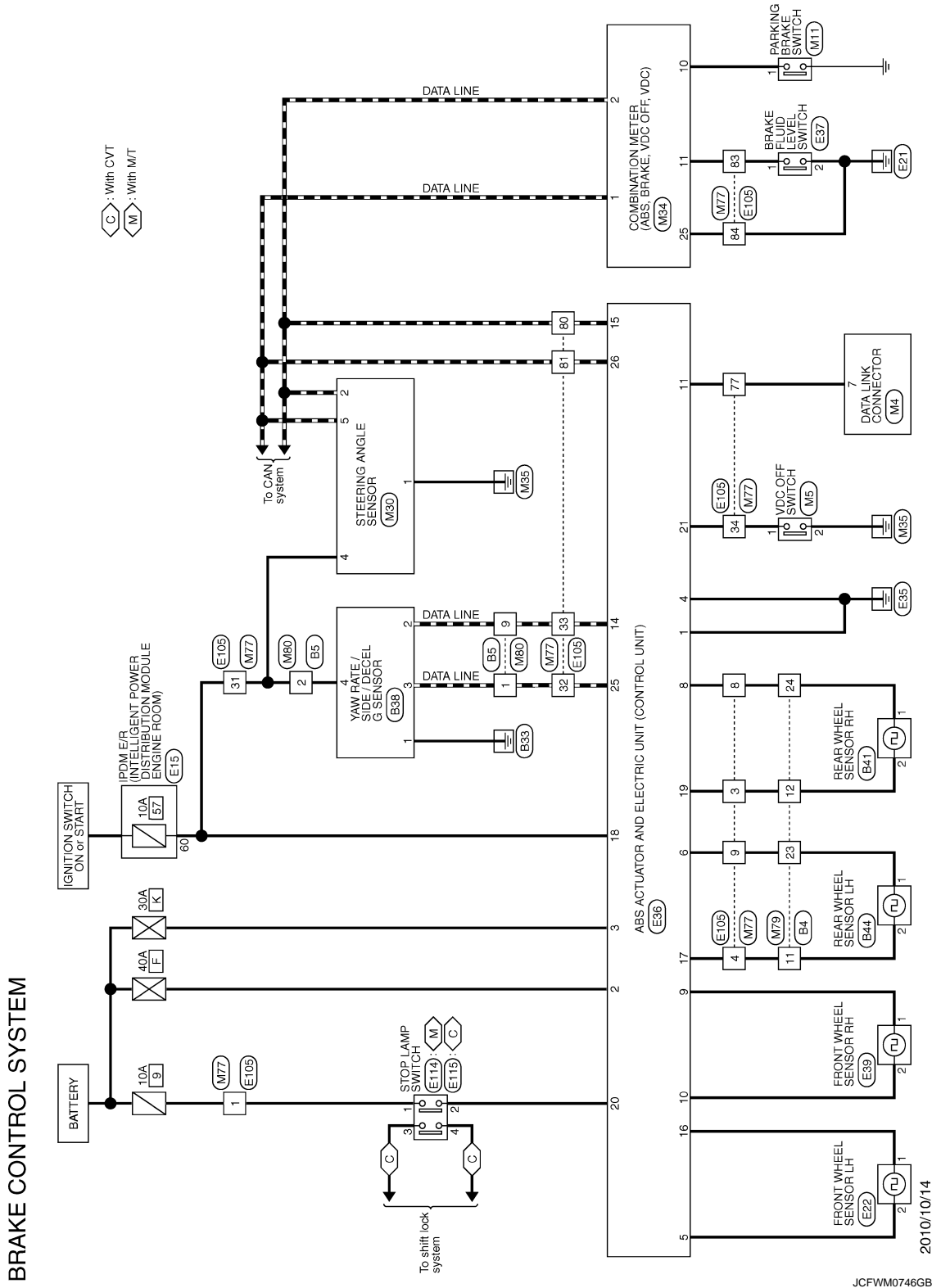
< ECU DIAGNOSIS INFORMATION >

[VDC/TCS/ABS]

Wiring Diagram

INFOID:000000007769866

For connector terminal arrangements, harness layouts, and alphabets in a  (option abbreviation; if not described in wiring diagram), refer to [GI-12, "Connector Information"](#).



JCFWM0746GB

Fail-Safe

VDC, TCS

INFOID:000000007769867

ABS ACTUATOR AND ELECTRIC UNIT (CONTROL UNIT)

< ECU DIAGNOSIS INFORMATION >

[VDC/TCS/ABS]

If VDC/TCS/ABS system malfunction electrically, VDC warning lamp are turned on, and the condition of vehicle is the same as the condition of vehicles without VDC and TCS control.

CAUTION:

If the Fail-Safe function is activated, then perform self-diagnosis for “ABS” with CONSULT.

ABS, EBD SYSTEM

If ABS malfunction electrically, ABS warning lamp, VDC warning lamp will turn on. If EBD malfunction electrically, brake warning lamp, ABS warning lamp, and VDC warning lamp will turn on. Simultaneously, the VDC/TCS/ABS become one of the following conditions of the fail safe function.

- For malfunction of ABS, only the EBD is activated and the condition of vehicle is the same condition of vehicles without TCS/ABS system.

NOTE:

ABS self-diagnosis sound may be heard. That is a normal condition because a self-diagnosis for “Ignition switch ON” and “The first starting” are being performed.

- For malfunction of EBD, EBD and ABS become inoperative, and the condition of vehicle is the same as the condition of vehicles without TCS/ABS, EBD system.

DTC Inspection Priority Chart

INFOID:000000007769868

If some DTCs are displayed at the same time, perform inspections one by one based on the following priority chart.

Priority	Detected items (DTC)
1	<ul style="list-style-type: none"> • U1000 CAN COMM CIRCUIT • U1002 SYSTEM COMM
2	<ul style="list-style-type: none"> • C1110 CONTROLLER FAILURE • C1153 EMERGENCY BRAKE • C1170 VARIANT CORDING
3	<ul style="list-style-type: none"> • C1130 ENGINE SIGNAL 1 • C1144 ST ANG SEN SIGNAL
4	<ul style="list-style-type: none"> • C1109 BATTERY VOLTAGE [ABNORMAL] • C1111 PUMP MOTOR • C1140 ACTUATOR RLY
5	<ul style="list-style-type: none"> • C1101 RR RH SENSOR-1 • C1102 RR LH SENSOR-1 • C1103 FR RH SENSOR-1 • C1104 FR LH SENSOR-1 • C1105 RR RH SENSOR-2 • C1106 RR LH SENSOR-2 • C1107 FR RH SENSOR-2 • C1108 FR LH SENSOR-2 • C1115 ABS SENSOR [ABNORMAL SIGNAL] • C1116 STOP LAMP SW • C1120 FR LH IN ABS SOL • C1121 FR LH OUT ABS SOL • C1122 FR RH IN ABS SOL • C1123 FR RH OUT ABS SOL • C1124 RR LH IN ABS SOL • C1125 RR LH OUT ABS SOL • C1126 RR RH IN ABS SOL • C1127 RR RH OUT ABS SOL • C1142 PRESS SEN CIRCUIT • C1143 ST ANG SEN CIRCUIT • C1145 YAW RATE SENSOR • C1146 SIDE G-SEN CIRCUIT • C1164 CV 1 • C1165 CV 2 • C1166 SV 1 • C1167 SV 2
6	<ul style="list-style-type: none"> • C1155 BR FLUID LEVEL LOW

ABS ACTUATOR AND ELECTRIC UNIT (CONTROL UNIT)

< ECU DIAGNOSIS INFORMATION >

[VDC/TCS/ABS]

DTC Index

INFOID:000000007769869

DTC	Items (CONSULT screen terms)	Reference
C1101	RR RH SENSOR-1	BRC-28, "DTC Logic"
C1102	RR LH SENSOR-1	
C1103	FR RH SENSOR-1	
C1104	FR LH SENSOR-1	
C1105	RR RH SENSOR-2	BRC-31, "DTC Logic"
C1106	RR LH SENSOR-2	
C1107	FR RH SENSOR-2	
C1108	FR LH SENSOR-2	
C1109	BATTERY VOLTAGE [ABNORMAL]	BRC-36, "DTC Logic"
C1110	CONTROLLER FAILURE	BRC-38, "DTC Logic"
C1111	PUMP MOTOR	BRC-39, "DTC Logic"
C1115	ABS SENSOR [ABNORMAL SIGNAL]	BRC-41, "DTC Logic"
C1116	STOP LAMP SW	BRC-46, "DTC Logic"
C1120	FR LH IN ABS SOL	BRC-51, "DTC Logic"
C1121	FR LH OUT ABS SOL	BRC-53, "DTC Logic"
C1122	FR RH IN ABS SOL	BRC-51, "DTC Logic"
C1123	FR RH OUT ABS SOL	BRC-53, "DTC Logic"
C1124	RR LH IN ABS SOL	BRC-51, "DTC Logic"
C1125	RR LH OUT ABS SOL	BRC-53, "DTC Logic"
C1126	RR RH IN ABS SOL	BRC-51, "DTC Logic"
C1127	RR RH OUT ABS SOL	BRC-53, "DTC Logic"
C1130	ENGINE SIGNAL 1	BRC-55, "DTC Logic"
C1140	ACTUATOR RLY	BRC-57, "DTC Logic"
C1142	PRESS SEN CIRCUIT	BRC-59, "DTC Logic"
C1143	ST ANG SEN CIRCUIT	BRC-61, "DTC Logic"
C1144	ST ANG SEN SIGNAL	BRC-63, "DTC Logic"
C1145	YAW RATE SENSOR	BRC-64, "DTC Logic"
C1146	SIDE G-SEN CIRCUIT	
C1153	EMERGENCY BRAKE	BRC-38, "DTC Logic"
C1155	BR FLUID LEVEL LOW	BRC-67, "DTC Logic"
C1164	CV 1	BRC-70, "DTC Logic"
C1165	CV 2	
C1166	SV 1	BRC-72, "DTC Logic"
C1167	SV 2	
C1170	VARIANT CORDING	BRC-38, "DTC Logic"
U1000	CAN COMM CIRCUIT	BRC-74, "DTC Logic"
U1002	SYSTEM COMM	BRC-75, "DTC Logic"

EXCESSIVE ABS FUNCTION OPERATION FREQUENCY

< SYMPTOM DIAGNOSIS >

[VDC/TCS/ABS]

SYMPTOM DIAGNOSIS

EXCESSIVE ABS FUNCTION OPERATION FREQUENCY

Diagnosis Procedure

INFOID:000000007769870

1. CHECK START

Check front and rear brake force distribution using a brake tester. Refer to [BR-43. "General Specifications"](#).

Is the inspection result normal?

YES >> GO TO 2.

NO >> Check brake system.

2. CHECK FRONT AND REAR AXLE

Make sure that there is no excessive play in the front and rear axles.

• Front: refer to [FAX-6. "Inspection"](#).

• Rear: refer to [RAX-4. "Inspection"](#).

Is the inspection result normal?

YES >> GO TO 3.

NO >> Repair or replace error-detected parts.

3. CHECK WHEEL SENSOR AND SENSOR ROTOR

Check the following.

- Wheel sensor installation for damage.
- Wheel sensor harness connector connection.
- Wheel sensor harness inspection.
- Sensor rotor installation for damage.

Is the inspection result normal?

YES >> GO TO 4.

NO >> Replace wheel sensor or sensor rotor.

• Front wheel sensor: refer to [BRC-106. "FRONT WHEEL SENSOR : Exploded View"](#).

• Rear wheel sensor: refer to [BRC-107. "REAR WHEEL SENSOR : Exploded View"](#).

• Front sensor rotor: refer to [BRC-108. "FRONT SENSOR ROTOR : Removal and Installation"](#).

• Rear sensor rotor: refer to [BRC-108. "REAR SENSOR ROTOR : Removal and Installation"](#).

4. CHECK ABS WARNING LAMP DISPLAY

Make sure that the ABS warning lamp is turned OFF for approximately 1 second after the ignition switch is turned ON or when driving.

Is the inspection result normal?

YES >> Normal

NO >> Perform self-diagnosis for "ABS" with CONSULT.

A
B
C
D
E
BRC
G
H
I
J
K
L
M
N
O
P

UNEXPECTED PEDAL REACTION

< SYMPTOM DIAGNOSIS >

[VDC/TCS/ABS]

UNEXPECTED PEDAL REACTION

Diagnosis Procedure

INFOID:000000007769871

1. CHECK BRAKE PEDAL STROKE

Check brake pedal stroke. Refer to [BR-7, "Inspection and Adjustment"](#).

Is the stroke too large?

- YES >>
- Bleed air from brake tube and hose. Refer to [BR-11, "Bleeding Brake System"](#).
 - Check brake fluid leakage. Refer to [BR-10, "Inspection"](#).
 - Check brake pedal, brake booster, and master cylinder for mount play, looseness, etc.
 - Brake pedal: refer to [BR-18, "Inspection and Adjustment"](#).
 - Brake master cylinder: refer to [BR-27, "Inspection"](#).
 - Brake booster: refer to [BR-29, "Inspection and Adjustment"](#).
 - Front disc brake: refer to [BR-38, "BRAKE CALIPER ASSEMBLY : Inspection"](#).
 - Rear drum brake: refer to [BR-41, "Inspection and Adjustment"](#).

NO >> GO TO 2.

2. CHECK FUNCTION

1. Turn the ignition switch OFF.
2. Disconnect ABS actuator and electric unit (control unit) harness connector to deactivate ABS. Check if braking force is normal in this condition. Connect harness connector after inspection.

Is the inspection result normal?

YES >> Normal

NO >> Check brake system.

THE BRAKING DISTANCE IS LONG

< SYMPTOM DIAGNOSIS >

[VDC/TCS/ABS]

THE BRAKING DISTANCE IS LONG

Diagnosis Procedure

INFOID:000000007769872

CAUTION:

The stopping distance on slippery road surfaces might be longer when the ABS is operating than when the ABS is not operating.

1. CHECK FUNCTION

1. Turn the ignition switch OFF
2. Disconnect ABS actuator and electric unit (control unit) harness connector to deactivate ABS. In this condition, check stopping distance. After inspection, connect harness connector.

Is the inspection result normal?

- YES >> Normal
NO >> Check brake system.

A
B
C
D
E
G
H
I
J
K
L
M
N
O
P

BRC

ABS FUNCTION DOES NOT OPERATE

< SYMPTOM DIAGNOSIS >

[VDC/TCS/ABS]

ABS FUNCTION DOES NOT OPERATE

Diagnosis Procedure

INFOID:000000007769873

CAUTION:

ABS does not operate when speed is 10 km/h (6 MPH) or lower.

1.CHECK ABS WARNING LAMP DISPLAY

Make sure that the ABS warning lamp is turned OFF for approximately 1 second after the ignition switch is turned ON or when driving.

Is the inspection result normal?

YES >> Normal

NO >> Perform self-diagnosis for "ABS" with CONSULT.

PEDAL VIBRATION OR ABS OPERATION SOUND OCCURS

< SYMPTOM DIAGNOSIS >

[VDC/TCS/ABS]

PEDAL VIBRATION OR ABS OPERATION SOUND OCCURS

Diagnosis Procedure

INFOID:000000007769874

CAUTION:

Under the following conditions, ABS is activated and vibration is felt when brake pedal is lightly depressed (just place a foot on it). However, this is normal.

- When shifting gears
- When driving on slippery road
- During cornering at high speed
- When passing over bumps or grooves [at approximately 50 mm (1.97 in) or more]
- When pulling away just after starting engine [at approximately 10 km/h (6 MPH) or higher]

1. SYMPTOM CHECK 1

Check that there are pedal vibrations when the engine is started.

Do vibrations occur?

YES >> GO TO 2.

NO >> Inspect the brake pedal. Refer to [BR-18, "Inspection and Adjustment"](#).

2. SYMPTOM CHECK 2

Check that there are ABS operation noises when the engine is started.

Do the operation noises occur?

YES >> GO TO 3.

NO >> Perform self-diagnosis for "ABS" with CONSULT.

3. SYMPTOM CHECK 3

Check symptoms when electrical component (headlamps, etc.) switches are operated.

Do symptoms occur?

YES >> Check if there is a radio, antenna, antenna lead wire, or wiring close to the control unit. If there is, move it farther away.

NO >> Normal

A
B
C
D
E
BRC
G
H
I
J
K
L
M
N
O
P

VEHICLE JERKS DURING VDC/TCS/ABS CONTROL

< SYMPTOM DIAGNOSIS >

[VDC/TCS/ABS]

VEHICLE JERKS DURING VDC/TCS/ABS CONTROL

Diagnosis Procedure

INFOID:000000007769875

1.SYMPTOM CHECK

Check if the vehicle jerks during VDC/TCS/ABS control.

Is the inspection result normal?

- YES >> Normal.
- NO >> GO TO 2.

2.CHECK SELF-DIAGNOSIS RESULTS

Perform self-diagnosis for "ABS" with CONSULT.

Is the inspection result normal?

- YES >> GO TO 3.
- NO >> Check corresponding items, make repairs, and perform self-diagnosis for "ABS" with CONSULT.

3.CHECK CONNECTOR

1. Turn the ignition switch OFF.
2. Disconnect ABS actuator and electric unit (control unit) harness connector, and terminal for deformation, disconnection, looseness, etc.
3. Securely connect harness connectors and perform ABS actuator and electric unit (control unit) self-diagnosis.

Is the inspection result normal?

- YES >> GO TO 4.
- NO >> If poor contact, damage, open or short circuit of harness connector is found, repair or replace.

4.CHECK ECM AND TCM SELF-DIAGNOSIS RESULTS

Perform self-diagnosis for "ENGINE" and "TRANSMISSION" with CONSULT.

Are self-diagnosis results indicated?

- YES >> Check the corresponding items.
- NO >> Replace ABS actuator and electric unit (control unit). Refer to [BRC-109. "Exploded View"](#).

NORMAL OPERATING CONDITION

< SYMPTOM DIAGNOSIS >

[VDC/TCS/ABS]

NORMAL OPERATING CONDITION

Description

INFOID:000000007769876

Symptom	Result
Slight vibrations are felt on the brake pedal and the operation noises occur, when VDC, TCS or ABS is activated.	This is a normal condition due to the VDC, TCS or ABS activation.
Stopping distance is longer than that of vehicles without ABS when the vehicle drives on rough, gravel, or snow-covered (fresh, deep snow) roads.	
The brake pedal moves and generates noises, when TCS or VDC is activated due to rapid acceleration or sharp turn.	
The brake pedal vibrates and motor operation noises occur from the engine room, after the engine starts and just after the vehicle starts.	This is a normal, and it is caused by the ABS operation check.
Depending on the road conditions, the driver may experience a sluggish feel.	This is normal, because TCS places the highest priority on the optimum traction (stability).
TCS may activate momentarily if wheel speed changes when driving over location where friction coefficient varies, when downshifting, or when fully depressing accelerator pedal.	
The ABS warning lamp and VDC warning lamp may turn ON when the vehicle is subject to strong shaking or large vibration, such as when the vehicle is rotating on a turntable or located on a ship while the engine is running.	In this case, restart the engine on a normal road. If the normal condition is restored, there is no malfunction. At that time, erase the self-diagnosis memory.
VDC may not operate normally or the ABS warning lamp and VDC warning lamp may illuminate, when running on a special road that is extremely slanted (e.g. bank in a circuit course).	
A malfunction may occur in the yaw rate/side G sensor system, when the vehicle turns sharply, such as during a spin turn, axle turn, or drift driving, while the VDC function is off (VDC OFF indicator lamp illuminated).	
The vehicle speed will not increase even though the accelerator pedal is depressed, when inspecting the speedometer on a 2-wheel chassis dynamometer.	Normal (Deactivate the VDC/TCS function before performing an inspection on a chassis dynamometer.)
VDC warning lamp may simultaneously turn on when low tire pressure warning lamp turns on.	This is not a VDC system error but results from characteristic change of tire.

A
B
C
D
E
BRC
G
H
I
J
K
L
M
N
O
P

PRECAUTION

PRECAUTIONS

Precaution for Supplemental Restraint System (SRS) "AIR BAG" and "SEAT BELT PRE-TENSIONER"

INFOID:000000007769877

The Supplemental Restraint System such as "AIR BAG" and "SEAT BELT PRE-TENSIONER", used along with a front seat belt, helps to reduce the risk or severity of injury to the driver and front passenger for certain types of collision. This system includes seat belt switch inputs and dual stage front air bag modules. The SRS system uses the seat belt switches to determine the front air bag deployment, and may only deploy one front air bag, depending on the severity of a collision and whether the front occupants are belted or unbelted. Information necessary to service the system safely is included in the "SRS AIR BAG" and "SEAT BELT" of this Service Manual.

WARNING:

Always observe the following items for preventing accidental activation.

- To avoid rendering the SRS inoperative, which could increase the risk of personal injury or death in the event of a collision that would result in air bag inflation, all maintenance must be performed by an authorized NISSAN/INFINITI dealer.
- Improper maintenance, including incorrect removal and installation of the SRS, can lead to personal injury caused by unintentional activation of the system. For removal of Spiral Cable and Air Bag Module, see "SRS AIR BAG".
- Never use electrical test equipment on any circuit related to the SRS unless instructed to in this Service Manual. SRS wiring harnesses can be identified by yellow and/or orange harnesses or harness connectors.

PRECAUTIONS WHEN USING POWER TOOLS (AIR OR ELECTRIC) AND HAMMERS

WARNING:

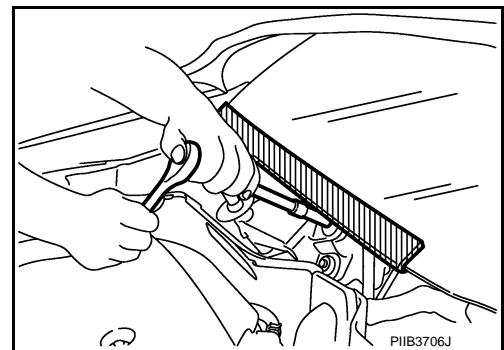
Always observe the following items for preventing accidental activation.

- When working near the Air Bag Diagnosis Sensor Unit or other Air Bag System sensors with the ignition ON or engine running, never use air or electric power tools or strike near the sensor(s) with a hammer. Heavy vibration could activate the sensor(s) and deploy the air bag(s), possibly causing serious injury.
- When using air or electric power tools or hammers, always switch the ignition OFF, disconnect the battery, and wait at least 3 minutes before performing any service.

Precaution for Procedure without Cowl Top Cover

INFOID:000000007769878

When performing the procedure after removing cowl top cover, cover the lower end of windshield with urethane, etc to prevent damage to windshield.



Precaution for Brake System

INFOID:000000007769879

WARNING:

Clean any dust from the front brake and rear brake with a vacuum dust collector. Never blow with compressed air.

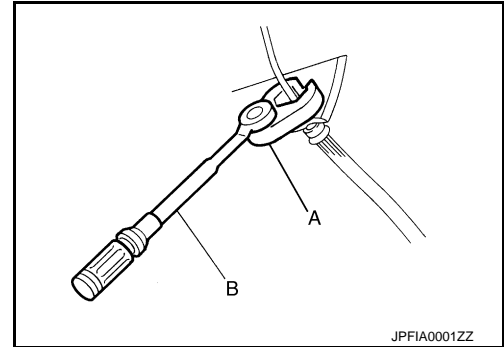
- Brake fluid use refer to [MA-10, "Fluids and Lubricants"](#).
- Never reuse drained brake fluid.
- Never spill or splash brake fluid on painted surfaces. Brake fluid may seriously damage paint. Wipe it off immediately and wash with water if it gets on a painted surface.

PRECAUTIONS

[VDC/TCS/ABS]

< PRECAUTION >

- Never use mineral oils such as gasoline or light oil. They may damage rubber parts and cause improper operation.
- Always loosen the brake tube flare nut with a flare nut wrench.
- Tighten the brake tube flare nut to the specified torque with a crow-foot (A) and torque wrench (B).
- Always conform the specified tightening torque when installing the brake pipes.
- Brake system is an important safety part. If a brake fluid leak is detected, always disassemble the affected part. If a malfunction is detected, replace part with a new one.
- Turn the ignition switch OFF and disconnect the ABS actuator and electric unit (control unit) harness connector or the battery negative terminal before performing the work.



INFOID:000000007769880

Precaution for Brake Control

- Slight vibrations are felt on the brake pedal and the operation noises occur, when VDC, TCS or ABS is activated.
- When starting engine or when starting vehicle just after starting engine, brake pedal may vibrate or motor operating noise may be heard from engine compartment. This is normal condition.
- Stopping distance is longer than that of vehicles without ABS when the vehicle drives on rough, gravel, or snow-covered (fresh, deep snow) roads.
- When an error is indicated by ABS or another warning lamp, collect all necessary information from customer (what symptoms are present under what conditions) and check for estimate causes before starting diagnostic servicing. Besides electrical system inspection, check brake booster operation, brake fluid level, and oil leaks.
- If tire size and type are used in an improper combination, or brake pads are not Genuine NISSAN parts, stopping distance or steering stability may deteriorate.
- ABS might be out of order or malfunctions by putting a radio (wiring inclusive), an antenna and a lead-in wire near the control unit.
- VDC system may not operate normally or a VDC warning lamp may light.
- When replacing the following parts with parts other than genuine parts or making modifications: Suspension related parts (shock absorber, spring, bushing, etc.), tires, wheels (other than specified sizes), brake-related parts (pad, rotor, caliper, etc.), engine-related parts (muffler, ECM, etc.) and body reinforcement-related parts (roll bar, tower bar, etc.).
- When driving with worn or deteriorated suspension, tires and brake-related parts.

Precautions for Harness Repair

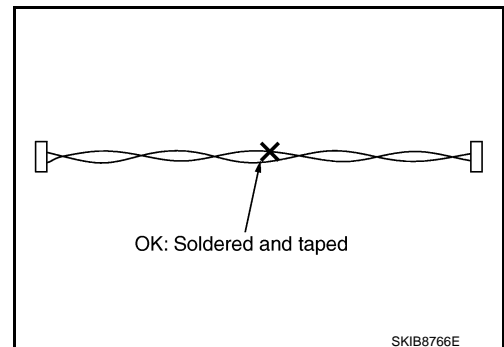
INFOID:000000007769881

COMMUNICATION LINE

- Solder the repaired area and wrap tape around the soldered area.

NOTE:

A fray of twisted lines must be within 110 mm (4.33 in).



PRECAUTIONS

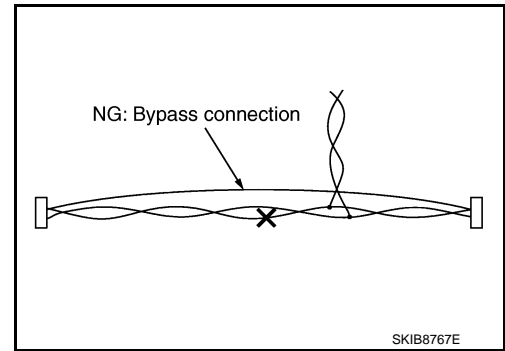
[VDC/TCS/ABS]

< PRECAUTION >

- Bypass connection is never allowed at the repaired area.

NOTE:

- Bypass connection may cause communication error as spliced wires that are separate from the main line or twisted lines lose noise immunity.
- Replace the applicable harness as an assembly if error is detected on the shield lines of communication line.



PREPARATION

< PREPARATION >

[VDC/TCS/ABS]

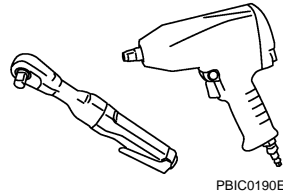
PREPARATION

PREPARATION

Commercial Service Tools

INFOID:000000007769882

Tool name	Description
Power tool	Loosening bolts and nuts



A
B
C
D
E
BRC
G
H
I
J
K
L
M
N
O
P

WHEEL SENSOR

< REMOVAL AND INSTALLATION >

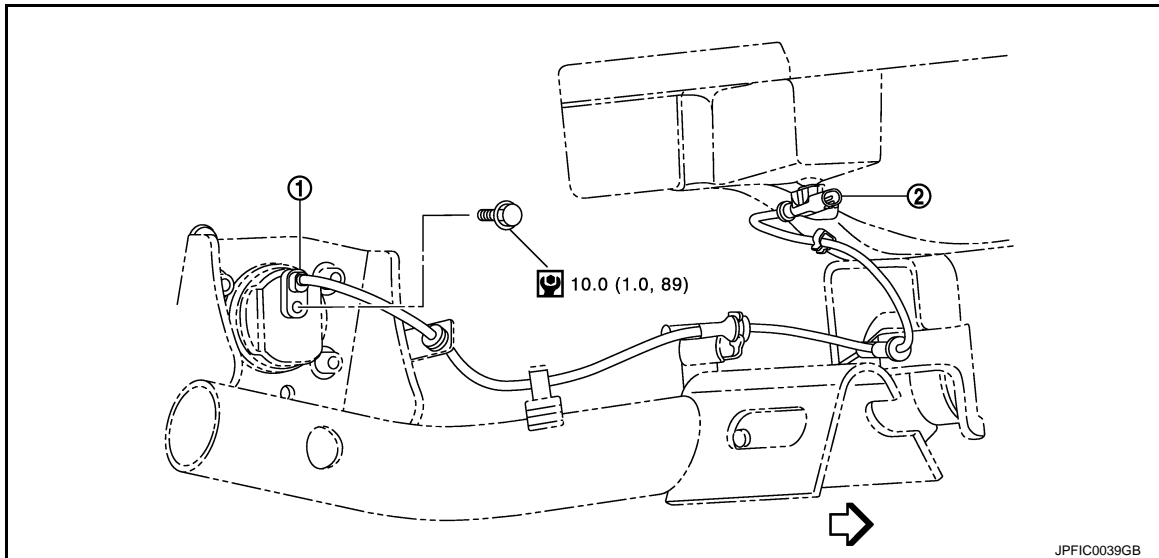
[VDC/TCS/ABS]

- Make sure no foreign material has been caught in the sensor rotor. Remove any foreign material and clean the mount. Replace the wheel sensor if necessary.
- When installing wheel sensor, be sure to press rubber grommets in until they lock at locations shown above in the figure. When installed, harness must not be twisted.

REAR WHEEL SENSOR

REAR WHEEL SENSOR : Exploded View

INFOID:000000007769885



1. Rear LH wheel sensor

2. Rear LH wheel sensor harness connector

←: Vehicle front

Refer to [GI-4, "Components"](#) for symbols in the figure.

REAR WHEEL SENSOR : Removal and Installation

INFOID:000000007769886

REMOVAL

1. Remove wheel sensor from wheel hub and bearing assembly.
CAUTION:
Never twist sensor harness as much as possible, when removing it. Pull wheel sensors out without pulling sensor harness.
2. Remove wheel sensor harness from vehicle.
CAUTION:
Never twist sensor harness as much as possible, when removing it. Pull wheel sensors out without pulling sensor harness.

INSTALLATION

Note the following, and install in the reverse order of the removal.

- Make sure there is no foreign material such as iron chips on and in the mounting hole of the wheel sensor.
- Make sure no foreign material has been caught in the sensor rotor. Remove any foreign material and clean the mount. Replace the wheel sensor if necessary.
- When installing wheel sensor, be sure to press rubber grommets in until they lock at locations shown above in the figure. When installed, harness must not be twisted.

A
B
C
D
E
G
H
I
J
K
L
M
N
O
P

BRC

SENSOR ROTOR

< REMOVAL AND INSTALLATION >

[VDC/TCS/ABS]

SENSOR ROTOR

FRONT SENSOR ROTOR

FRONT SENSOR ROTOR : Removal and Installation

INFOID:000000007769887

CAUTION:

Sensor rotor cannot be disassembled. Remove the sensor rotor together with hub bearing assembly.

REMOVAL

Remove the wheel hub and bearing assembly. Refer to [FAX-8, "Exploded View"](#).

INSTALLATION

Install the wheel hub and bearing assembly. Refer to [FAX-8, "Exploded View"](#).

FRONT SENSOR ROTOR : Disassembly and Assembly

INFOID:000000007769888

Sensor rotor cannot be disassembled. Remove the sensor rotor together with hub bearing assembly.

REAR SENSOR ROTOR

REAR SENSOR ROTOR : Removal and Installation

INFOID:000000007769889

CAUTION:

Sensor rotor cannot be disassembled. Remove the sensor rotor together with hub bearing assembly.

REMOVAL

Remove the wheel hub and bearing assembly. Refer to [RAX-5, "Exploded View"](#).

INSTALLATION

Install the wheel hub and bearing assembly. Refer to [RAX-5, "Exploded View"](#).

REAR SENSOR ROTOR : Disassembly and Assembly

INFOID:000000007769890

Sensor rotor cannot be disassembled. Remove the sensor rotor together with hub bearing assembly.

ABS ACTUATOR AND ELECTRIC UNIT (CONTROL UNIT)

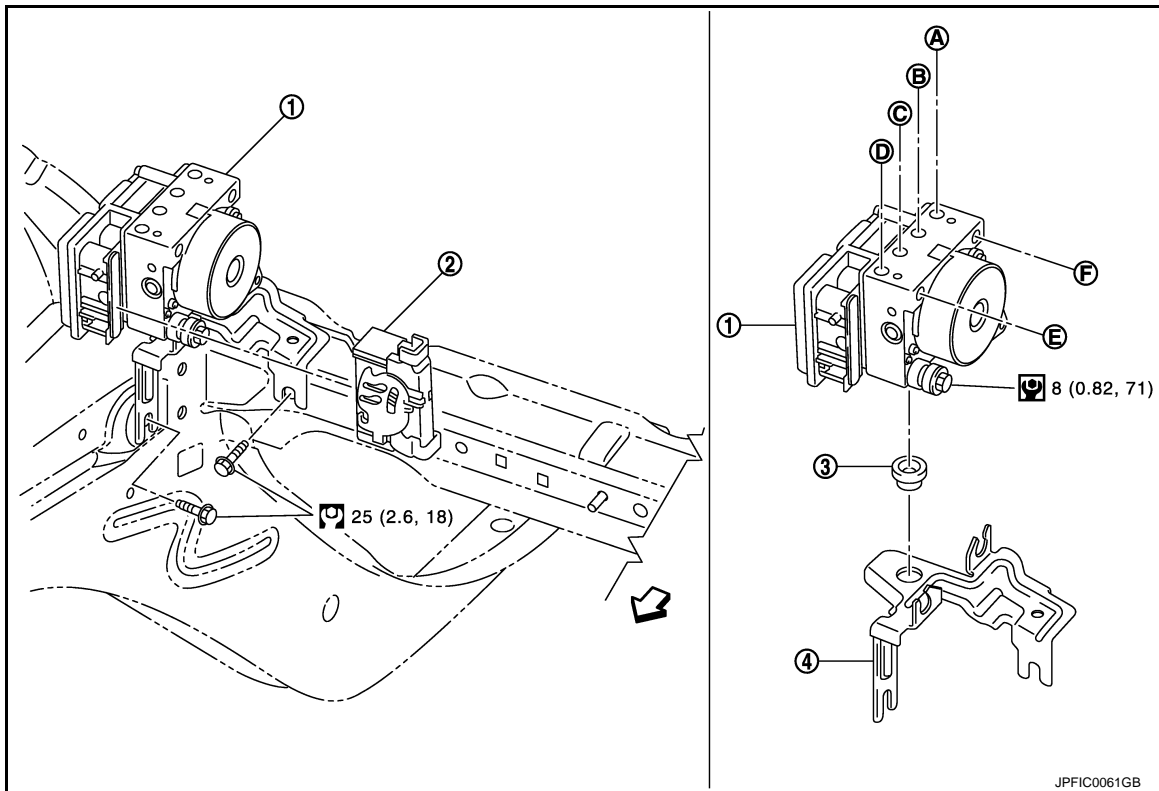
< REMOVAL AND INSTALLATION >

[VDC/TCS/ABS]

ABS ACTUATOR AND ELECTRIC UNIT (CONTROL UNIT)

Exploded View

INFOID:000000007769891



A
B
C
D
E
F
G
H
I
J
K
L

BRC

- | | | |
|--|--------------------------------------|------------------------------------|
| 1. ABS actuator and electric unit (control unit) | 2. Harness connector | 3. Bushing |
| 4. Bracket | | |
| A. To front LH brake caliper | B. To rear RH wheel cylinder | C. To Rear LH wheel cylinder |
| D. To front RH brake caliper | E. To master cylinder secondary side | F. To master cylinder primary side |

← Vehicle front

Refer to [GI-4, "Components"](#) for symbols in the figure.

Removal and Installation

INFOID:000000007769892

REMOVAL

1. Disconnect the battery cable from negative terminal.
2. Remove cowl top cover and extension cowl top. Refer to [EXT-19, "Exploded View"](#).
3. Drain brake fluid. Refer to [BR-10, "Draining"](#).
4. Disconnect ABS actuator and electric unit (control unit) harness connector.
5. Loosen brake tube flare nuts, and then remove brake tubes from ABS actuator and electric unit (control unit). Refer to [BR-20, "FRONT : Exploded View"](#).
CAUTION:
Never scratch the flare nut and the brake tube.
6. Remove ABS actuator and electric unit (control unit) and bracket from vehicle.
CAUTION:
 - Never apply excessive impact to ABS actuator and electric unit (control unit), such as dropping it.
 - Never remove actuator by holding harness.
7. Remove bracket and bush from ABS actuator and electric unit (control unit).

M
N
O
P

ABS ACTUATOR AND ELECTRIC UNIT (CONTROL UNIT)

< REMOVAL AND INSTALLATION >

[VDC/TCS/ABS]

INSTALLATION

Note the following, and install in the reverse order of removal.

- Install, use flare nut crowfoot and torque wrench. Refer to [BR-20, "FRONT : Exploded View"](#).

CAUTION:

Never scratch the flare nut and the brake tube.

- Never apply excessive impact to ABS actuator and electric unit (control unit), such as dropping it.
- Never install actuator by holding harness.
- Installing harness connector in the ABS actuator and electric unit (control unit), make sure harness connector is securely locked.

Adjustment

INFOID:000000007769893

ADJUSTMENT AFTER INSTALLATION

1. Refill with new brake fluid and perform the air bleeding. Refer to [BR-11, "Bleeding Brake System"](#).

CAUTION:

Never reuse drained brake fluid.

2. When replacing ABS actuator and electric unit (control unit), make sure adjust neutral position of steering angle sensor. Refer to [BRC-9, "Description"](#).

YAW RATE/SIDE G SENSOR

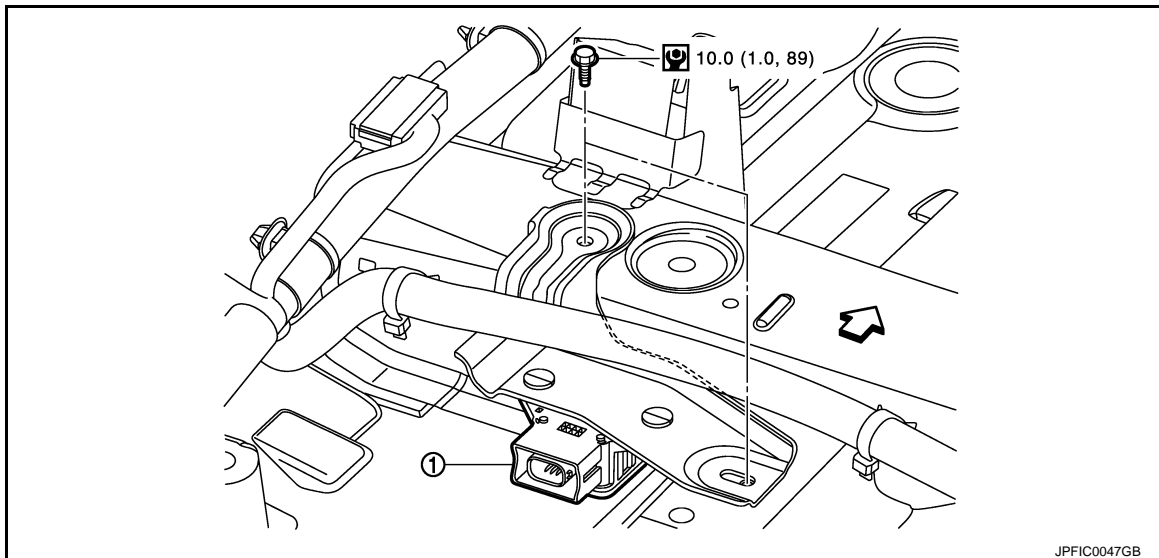
< REMOVAL AND INSTALLATION >

[VDC/TCS/ABS]

YAW RATE/SIDE G SENSOR

Exploded View

INFOID:000000007769894



1. Yaw rate/side G sensor

← Vehicle front

Refer to [GI-4, "Components"](#) for symbols in the figure.

Removal and Installation

INFOID:000000007769895

REMOVAL

CAUTION:

- Never drop or strike yaw rate/side G sensor, or never use power tool etc., because yaw rate/side G sensor is sensitive to the impact.

1. Remove front (left side) seat. Refer to [SE-15, "Exploded View"](#).
2. Remove dash side finisher and front kicking plate inner. Refer to [INT-16, "Exploded View"](#).
3. Remove floor trim. Refer to [INT-19, "Exploded View"](#).
4. Disconnect yaw rate/side G sensor harness connector.
5. Remove yaw rate/side G sensor.

INSTALLATION

Note the following, and install in the reverse order of removal.

- Never drop or strike yaw rate/side G sensor, or never use power tool etc., because yaw rate/side G sensor is sensitive to the impact.

A
B
C
D
E
BRC
G
H
I
J
K
L
M
N
O
P

STEERING ANGLE SENSOR

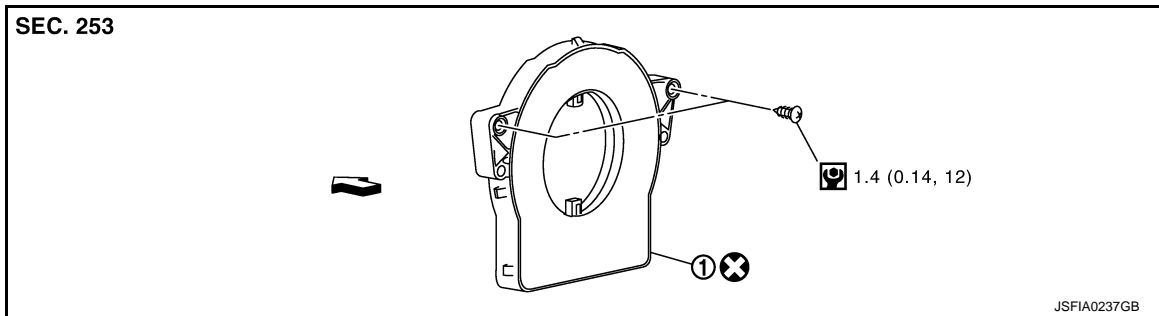
< REMOVAL AND INSTALLATION >

[VDC/TCS/ABS]

STEERING ANGLE SENSOR

Exploded View

INFOID:000000007769896



1. Steering angle sensor

↔: Vehicle front

Refer to [GI-4, "Components"](#) for the symbols in the figure.

Removal and Installation

INFOID:000000007769897

REMOVAL

1. Remove spiral cable assembly. Refer to [SR-13, "Exploded View"](#).
2. Remove steering angle sensor from spiral cable assembly.

INSTALLATION

Note the following, and install in the reverse order of removal.

- Never reuse steering angle sensor.

Adjustment

INFOID:000000007769898

Make sure to adjust neutral position of steering angle sensor. Refer to [BRC-9, "Description"](#).

VDC OFF SWITCH

< REMOVAL AND INSTALLATION >

[VDC/TCS/ABS]

VDC OFF SWITCH

Removal and Installation

INFOID:000000007769899

REMOVAL

1. Remove Instrument lower panel LH. Refer to [IP-12, "Exploded View"](#).
2. Remove VDC OFF switch.

INSTALLATION

Install in the reverse order of removal.

A

B

C

D

E

BRC

G

H

I

J

K

L

M

N

O

P