

SECTION **SRC**

SRS AIRBAG CONTROL SYSTEM

A
B
C
D
E
F
G
H
I
J
K
L
M
N
O
P

CONTENTS

<p>BASIC INSPECTION 5</p> <p>DIAGNOSIS AND REPAIR WORK FLOW 5</p> <p style="padding-left: 20px;">Work Flow5</p> <p>INSPECTION AND ADJUSTMENT 8</p> <p>ADDITIONAL SERVICE WHEN REPLACING CONTROL UNIT8</p> <p style="padding-left: 20px;">ADDITIONAL SERVICE WHEN REPLACING CONTROL UNIT : Description8</p> <p style="padding-left: 20px;">ADDITIONAL SERVICE WHEN REPLACING CONTROL UNIT : Special Repair Requirement8</p> <p>ZERO POINT RESET8</p> <p style="padding-left: 20px;">ZERO POINT RESET : Description8</p> <p style="padding-left: 20px;">ZERO POINT RESET : Special Repair Requirement8</p> <p>SYSTEM DESCRIPTION10</p> <p>SRS AIR BAG SYSTEM10</p> <p style="padding-left: 20px;">System Diagram 10</p> <p style="padding-left: 20px;">System Description 10</p> <p style="padding-left: 20px;">Component Parts Location 12</p> <p style="padding-left: 20px;">Component Description 13</p> <p>OCCUPANT DETECTION SYSTEM14</p> <p style="padding-left: 20px;">System Diagram 14</p> <p style="padding-left: 20px;">System Description 14</p> <p style="padding-left: 20px;">Component Parts Location 15</p> <p style="padding-left: 20px;">Component Description 16</p> <p>ON BOARD DIAGNOSTIC (OBD) SYSTEM17</p> <p style="padding-left: 20px;">Diagnosis Description 17</p> <p style="padding-left: 20px;">Diagnosis with Air Bag Warning Lamp 17</p> <p>DIAGNOSIS SYSTEM (AIR BAG)23</p> <p style="padding-left: 20px;">CONSULT Function23</p> <p>DIAGNOSIS SYSTEM (OCCUPANT DETECTION SYSTEM)24</p> <p style="padding-left: 20px;">CONSULT Function24</p>	<p>DTC/CIRCUIT DIAGNOSIS25</p> <p>B1001, B1002, B1003, B1004, B1005 DIAGNOSIS SENSOR UNIT25</p> <p style="padding-left: 20px;">Description25</p> <p style="padding-left: 20px;">DTC Logic25</p> <p style="padding-left: 20px;">Diagnosis Procedure25</p> <p>B1006, B1007, B1008, B1009, B1010 DIAGNOSIS SENSOR UNIT27</p> <p style="padding-left: 20px;">Description27</p> <p style="padding-left: 20px;">DTC Logic27</p> <p style="padding-left: 20px;">Diagnosis Procedure27</p> <p>B1011, B1012, B1013, B1014, B1015 DIAGNOSIS SENSOR UNIT29</p> <p style="padding-left: 20px;">Description29</p> <p style="padding-left: 20px;">DTC Logic29</p> <p style="padding-left: 20px;">Diagnosis Procedure29</p> <p>B1017, B1020, B1021 OCCUPANT SYSTEM CONTROL UNIT31</p> <p style="padding-left: 20px;">Description31</p> <p style="padding-left: 20px;">DTC Logic31</p> <p style="padding-left: 20px;">Diagnosis Procedure31</p> <p>B1018 OCCUPANT SYSTEM SENSOR33</p> <p style="padding-left: 20px;">Description33</p> <p style="padding-left: 20px;">DTC Logic33</p> <p style="padding-left: 20px;">Diagnosis Procedure33</p> <p>B1022 OCCUPANT SYSTEM CONTROL UNIT35</p> <p style="padding-left: 20px;">Description35</p> <p style="padding-left: 20px;">DTC Logic35</p> <p style="padding-left: 20px;">Diagnosis Procedure35</p> <p>B1023 PASSENGER AIR BAG OFF INDICATOR37</p> <p style="padding-left: 20px;">Description37</p> <p style="padding-left: 20px;">DTC Logic37</p>
--	--

SRC

Diagnosis Procedure	37	B1058, B1059, B1060, B1061, B1062, B1063	
B1025, B1032, B1048 OCCUPANT SYSTEM		DIAGNOSIS SENSOR UNIT	61
SENSOR	39	Description	61
Description	39	DTC Logic	61
DTC Logic	39	Diagnosis Procedure	61
Diagnosis Procedure	39	B1065, B1070 PASSENGER AIR BAG MOD-	
B1026, B1027, B1028, B1029, B1030, B1031		ULE	63
DIAGNOSIS SENSOR UNIT	41	Description	63
Description	41	DTC Logic	63
DTC Logic	41	Diagnosis Procedure	63
Diagnosis Procedure	41	B1066, B1071 PASSENGER AIR BAG MOD-	
B1033, B1034 CRASH ZONE SENSOR	43	ULE	65
Description	43	Description	65
DTC Logic	43	DTC Logic	65
Diagnosis Procedure	43	Diagnosis Procedure	65
B1035 CRASH ZONE SENSOR	45	B1067, B1072 PASSENGER AIR BAG MOD-	
Description	45	ULE	67
DTC Logic	45	Description	67
Diagnosis Procedure	45	DTC Logic	67
B1036 CRASH ZONE SENSOR	47	Diagnosis Procedure	67
Description	47	B1068, B1073 PASSENGER AIR BAG MOD-	
DTC Logic	47	ULE	69
Diagnosis Procedure	47	Description	69
B1037, B1039, B1041 CRASH ZONE SEN-		DTC Logic	69
SOR	49	Diagnosis Procedure	69
Description	49	B1074, B1075, B1076, B1077, B1078, B1079	
DTC Logic	49	DIAGNOSIS SENSOR UNIT	71
Diagnosis Procedure	49	Description	71
B1042, B1043, B1044, B1045, B1046, B1047		DTC Logic	71
DIAGNOSIS SENSOR UNIT	51	Diagnosis Procedure	71
Description	51	B1080, B1096 DRIVER AIR BAG MODULE	73
DTC Logic	51	Description	73
Diagnosis Procedure	51	DTC Logic	73
B1049, B1054 DRIVER AIR BAG MODULE	53	Diagnosis Procedure	73
Description	53	B1081 SEAT BELT PRE-TENSIONER RH	75
DTC Logic	53	Description	75
Diagnosis Procedure	53	DTC Logic	75
B1050, B1055 DRIVER AIR BAG MODULE	55	Diagnosis Procedure	75
Description	55	B1082 SEAT BELT PRE-TENSIONER RH	77
DTC Logic	55	Description	77
Diagnosis Procedure	55	DTC Logic	77
B1051, B1056 DRIVER AIR BAG MODULE	57	Diagnosis Procedure	77
Description	57	B1083 SEAT BELT PRE-TENSIONER RH	79
DTC Logic	57	Description	79
Diagnosis Procedure	57	DTC Logic	79
B1052, B1057 DRIVER AIR BAG MODULE	59	Diagnosis Procedure	79
Description	59	B1084 SEAT BELT PRE-TENSIONER RH	81
DTC Logic	59	Description	81
Diagnosis Procedure	59	DTC Logic	81
		Diagnosis Procedure	81

B1086 SEAT BELT PRE-TENSIONER LH83	B1122, B1123, B1124, B1125, B1126, B1127	
Description 83	DIAGNOSIS SENSOR UNIT 107	A
DTC Logic 83	Description 107	
Diagnosis Procedure 83	DTC Logic 107	
	Diagnosis Procedure 107	B
B1087 SEAT BELT PRE-TENSIONER LH85	B1129 SIDE AIR BAG MODULE RH 109	
Description 85	Description 109	C
DTC Logic 85	DTC Logic 109	
Diagnosis Procedure 85	Diagnosis Procedure 109	
B1088 SEAT BELT PRE-TENSIONER LH87	B1130 SIDE AIR BAG MODULE RH 111	D
Description 87	Description 111	
DTC Logic 87	DTC Logic 111	
Diagnosis Procedure 87	Diagnosis Procedure 111	E
B1089 SEAT BELT PRE-TENSIONER LH89	B1131 SIDE AIR BAG MODULE RH 113	
Description 89	Description 113	F
DTC Logic 89	DTC Logic 113	
Diagnosis Procedure 89	Diagnosis Procedure 113	
B1090, B1091, B1092, B1093, B1094, B1095	B1132 SIDE AIR BAG MODULE RH 115	G
DIAGNOSIS SENSOR UNIT91	Description 115	
Description 91	DTC Logic 115	
DTC Logic 91	Diagnosis Procedure 115	
Diagnosis Procedure 91		
B1106, B1107, B1108, B1109, B1110, B1111	B1134 SIDE AIR BAG MODULE LH 117	SRC
DIAGNOSIS SENSOR UNIT93	Description 117	
Description 93	DTC Logic 117	I
DTC Logic 93	Diagnosis Procedure 117	
Diagnosis Procedure 93		
B1113, B1114 SATELLITE SENSOR RH95	B1135 SIDE AIR BAG MODULE LH 119	J
Description 95	Description 119	
DTC Logic 95	DTC Logic 119	
Diagnosis Procedure 95	Diagnosis Procedure 119	
B1115 SATELLITE SENSOR RH97	B1136 SIDE AIR BAG MODULE LH 121	K
Description 97	Description 121	
DTC Logic 97	DTC Logic 121	L
Diagnosis Procedure 97	Diagnosis Procedure 121	
B1116 SATELLITE SENSOR RH99	B1137 SIDE AIR BAG MODULE LH 123	M
Description 99	Description 123	
DTC Logic 99	DTC Logic 123	
Diagnosis Procedure 99	Diagnosis Procedure 123	
B1118, B1119 SATELLITE SENSOR LH 101	B1138, B1139, B1140, B1141, B1142, B1143	N
Description 101	DIAGNOSIS SENSOR UNIT 125	
DTC Logic 101	Description 125	O
Diagnosis Procedure 101	DTC Logic 125	
	Diagnosis Procedure 125	
B1120 SATELLITE SENSOR LH 103	B1144 DIAGNOSIS SENSOR UNIT 127	P
Description 103	Description 127	
DTC Logic 103	DTC Logic 127	
Diagnosis Procedure 103	Diagnosis Procedure 127	
B1121 SATELLITE SENSOR LH 105	B1145 CURTAIN AIR BAG MODULE RH 128	
Description 105	Description 128	
DTC Logic 105	DTC Logic 128	
Diagnosis Procedure 105	Diagnosis Procedure 128	

B1146 CURTAIN AIR BAG MODULE RH	130	DTC Logic	152
Description	130	Diagnosis Procedure	152
DTC Logic	130		
Diagnosis Procedure	130		
B1147 CURTAIN AIR BAG MODULE RH	132	B1210 SIDE COLLISION DETECTION	153
Description	132	Description	153
DTC Logic	132	DTC Logic	153
Diagnosis Procedure	132	Diagnosis Procedure	153
B1148 CURTAIN AIR BAG MODULE RH	134	B1211 ROLLOVER DETECTION	154
Description	134	Description	154
DTC Logic	134	DTC Logic	154
Diagnosis Procedure	134	Diagnosis Procedure	154
B1150 CURTAIN AIR BAG MODULE LH	136	B1212, B1213, B1214 SATELLITE SENSOR	
Description	136	RH	155
DTC Logic	136	Description	155
Diagnosis Procedure	136	DTC Logic	155
B1151 CURTAIN AIR BAG MODULE LH	138	Diagnosis Procedure	155
Description	138	B1215, B1216, B1217 SATELLITE SENSOR	
DTC Logic	138	LH	157
Diagnosis Procedure	138	Description	157
B1152 CURTAIN AIR BAG MODULE LH	140	DTC Logic	157
Description	140	Diagnosis Procedure	157
DTC Logic	140	B1218, B1219, B1220, B1221, B1222, B1223	
Diagnosis Procedure	140	DIAGNOSIS SENSOR UNIT	159
B1153 CURTAIN AIR BAG MODULE LH	142	Description	159
Description	142	DTC Logic	159
DTC Logic	142	Diagnosis Procedure	159
Diagnosis Procedure	142	B1239 DIAGNOSIS SENSOR UNIT	161
B1154, B1155, B1156, B1157, B1158, B1159		Description	161
DIAGNOSIS SENSOR UNIT	144	DTC Logic	161
Description	144	Diagnosis Procedure	161
DTC Logic	144	ECU DIAGNOSIS INFORMATION	162
Diagnosis Procedure	144	DIAGNOSIS SENSOR UNIT	162
B1170, B1171, B1172, B1173, B1174, B1175		DTC Index	162
DIAGNOSIS SENSOR UNIT	146	Wiring Diagram - SRS AIR BAG CONTROL SYS-	
Description	146	TEM -	166
DTC Logic	146	SYMPTOM DIAGNOSIS	168
Diagnosis Procedure	146	SRS AIR BAG WARNING LAMP DOES NOT	
B1186, B1187, B1188, B1189, B1190, B1191		TURN OFF	168
DIAGNOSIS SENSOR UNIT	148	Diagnosis Procedure	168
Description	148	SRS AIR BAG WARNING LAMP DOES NOT	
DTC Logic	148	TURN ON	169
Diagnosis Procedure	148	Diagnosis Procedure	169
B1202, B1203, B1204, B1205, B1206, B1207		PRECAUTION	170
DIAGNOSIS SENSOR UNIT	150	PRECAUTIONS	170
Description	150	Precaution for Supplemental Restraint System	
DTC Logic	150	(SRS) "AIR BAG" and "SEAT BELT PRE-TEN-	
Diagnosis Procedure	150	SIONER"	170
B1209 FRONTAL COLLISION DETECTION .	152	Service	170
Description	152	Occupant Detection System Precaution	171

DIAGNOSIS AND REPAIR WORK FLOW

< BASIC INSPECTION >

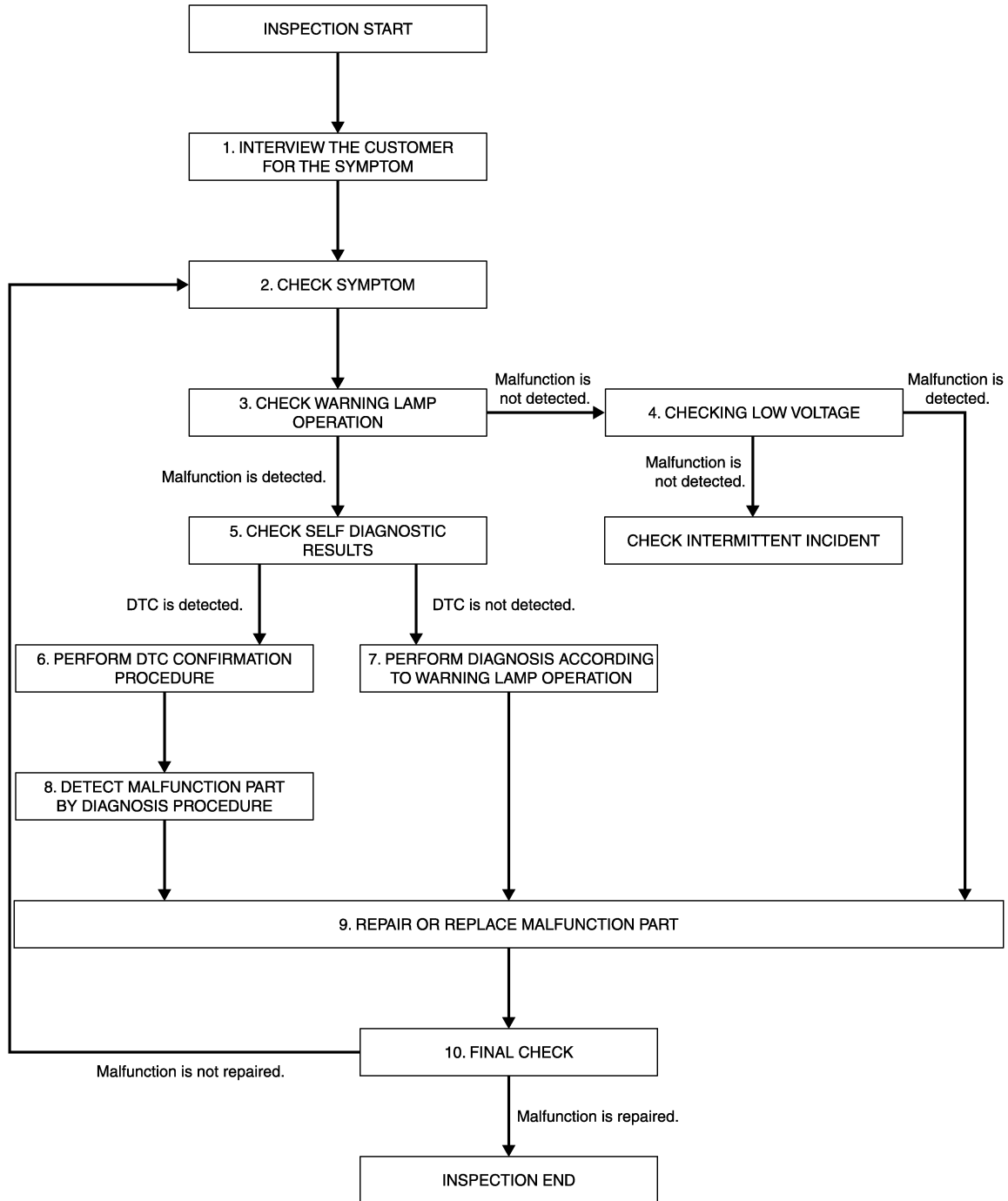
BASIC INSPECTION

DIAGNOSIS AND REPAIR WORK FLOW

Work Flow

INFOID:00000000772144

OVERALL SEQUENCE



SRC

JMHIA1324GB

DETAILED FLOW

DIAGNOSIS AND REPAIR WORK FLOW

< BASIC INSPECTION >

1. INTERVIEW THE CUSTOMER FOR THE SYMPTOM

Interview the customer for the symptom (the condition and the environment when the incident/malfunction occurs).

>> GO TO 2.

2. CHECK SYMPTOM

Check the symptom from the customer information.

>> GO TO 3.

3. CHECK WARNING LAMP OPERATION

Check air bag warning lamp operation in the user mode. Refer to [SRC-17, "Diagnosis with Air Bag Warning Lamp"](#).

Are any malfunction detected?

YES >> GO TO 5.

NO >> GO TO 4.

4. CHECK LOW VOLTAGE

Check low voltage with CONSULT. Refer to [SRC-23, "CONSULT Function"](#).

Are any malfunction detected?

YES >> GO TO 9.

NO >> Check intermittent incident. Refer to [GI-41, "Intermittent Incident"](#).

5. CHECK SELF DIAGNOSTIC RESULTS

Check self diagnostic result with CONSULT or diagnosis mode.

If it is impossible to switch to diagnosis mode, follow the same procedure that DTC is not detected.

NOTE:

Perform the following procedure if DTC is detected.

- Record DTC (Print them out with CONSULT.)
- Erase self diagnostic result.
- Study the relationship between the malfunction that DTC or air bag warning lamp indicates and the symptom that the customer describes.
- Check related service bulletins for information.

Is DTC detected?

YES >> GO TO 6.

NO >> GO TO 7.

6. PERFORM DTC CONFIRMATION PROCEDURE

Perform DTC CONFIRMATION PROCEDURE for the DTC.

>> GO TO 8.

7. PERFORM DIAGNOSIS ACCORDING TO WARNING LAMP OPERATION

1. Check air bag warning lamp operation in the user mode. Refer to [SRC-17, "Diagnosis with Air Bag Warning Lamp"](#).
2. Perform Diagnosis Procedure for the air bag warning lamp operation. Refer to [SRC-17, "Diagnosis with Air Bag Warning Lamp"](#) (USER MODE).

>> GO TO 9.

8. DETECT MALFUNCTIONING PART BY DIAGNOSTIC PROCEDURE

Inspect according to Diagnostic Procedure of the DTC.

>> GO TO 9.

DIAGNOSIS AND REPAIR WORK FLOW

< BASIC INSPECTION >

9.REPAIR OR REPLACE THE MALFUNCTION PART

Repair or replace the malfunctioning part.

>> GO TO 10.

10.FINAL CHECK

Check self diagnostic result and air bag warning lamp operation in the user mode.

Is the malfunction repaired?

YES >> INSPECTION END
NO >> GO TO 2.

A

B

C

D

E

F

G

SRC

I

J

K

L

M

N

O

P

INSPECTION AND ADJUSTMENT

< BASIC INSPECTION >

INSPECTION AND ADJUSTMENT

ADDITIONAL SERVICE WHEN REPLACING CONTROL UNIT

ADDITIONAL SERVICE WHEN REPLACING CONTROL UNIT : Description

INFOID:000000007772145

When replacing or removing and installing passenger seat, always perform zero point reset so that Occupant Detection System is activated normally.

ADDITIONAL SERVICE WHEN REPLACING CONTROL UNIT : Special Repair Requirement

INFOID:000000007772146

WORK PROCEDURE WHEN REPLACING CONTROL UNIT

1.PERFORM ZERO POINT RESET

Perform zero point reset. Refer to [SRC-8, "ZERO POINT RESET : Special Repair Requirement"](#).

>> END

ZERO POINT RESET

ZERO POINT RESET : Description

INFOID:000000007772147

Zero point reset is an initializing procedure for occupant detection sensor that must be performed when replacing or removing and installing passenger seat.

If zero point reset is not performed, the initialization is incomplete and Occupant Detection System does not operate normally.

NOTE:

- When replacing passenger seat with a NISSAN genuine part, air bag warning lamp blinks if zero point reset is incomplete.
- When zero point reset is performed once after removal and installation of passenger seat, CONSULT displays "complete" and air bag warning does not blink.
- When reinstalling passenger seat after removal, the initial value for occupant detection sensor changes, and Occupant Detection System does not operate normally.
- Always perform zero point reset after performing the work as per the following.
 - Reinstallation of passenger seat
 - Replacement of passenger seat with a seat that is zero point reset complete.

ZERO POINT RESET : Special Repair Requirement

INFOID:000000007772148

1.PERFORM ZERO POINT RESET

-
1. Perform zero point reset.

NOTE:

When performing zero point reset, be careful of the items described as per the following.

- Perform zero point reset after installing passenger seat to the vehicle
 - Do not put any objects on passenger seat
 - Do not apply excessive vibration to the vehicle
 - Do not touch the vehicle
 - Do not tilt the vehicle
2. Select start on "Zero point reset function" screen from, WORK SUPPORT of CONSULT "OCCUPANT DETECTION".
 3. "Zero point reset" starts.

>> GO TO 2.

2.CONFIRMATION OF SETTING

-
1. Proceed to "Zero point reset function" screen from work support of CONSULT "OCCUPANT DETECTION".
 2. Check that "Complete" or "Incomplete" is displayed on "Zero point reset status".

CAUTION:

INSPECTION AND ADJUSTMENT

< BASIC INSPECTION >

- **“Complete” is displayed on “zero point reset current status” if the seat is reinstalled by seat removal and installation, or “zero point reset” is already performed.**
- **“Zero point reset current status” displays “Incomplete” if a new seat is installed. When turning key switch ON without performing zero point reset, air bag warning lamp blinks. When zero point reset is performed, air bag warning lamp turns OFF.**
- **Air bag warning lamp blinks in user mode only.**
- **Air bag sensor unit does not record whether or not zero point reset is performed.**

Is condition “ALREADY PERFORMED”?

YES >> Print out “ZERO POINT RESET CURRENT STATUS” screen, and inspection end.

NO >> Check condition as per the following, and perform zero point reset again.

- Passenger seat is occupied by an object.
- Excessive vibration is applied while performing zero point reset.
- Occupant detection system is malfunctioning.

NOTE:

If “Incomplete” is displayed on “zero point reset current status”, zero point reset is not completed normally. Check the condition as per the following and perform zero point reset again.

- Passenger seat is occupied by an object.
- Excessive vibration is applied while performing zero point reset.
- Occupant detection system is malfunctioning.

A

B

C

D

E

F

G

SRC

I

J

K

L

M

N

O

P

SRS AIR BAG SYSTEM

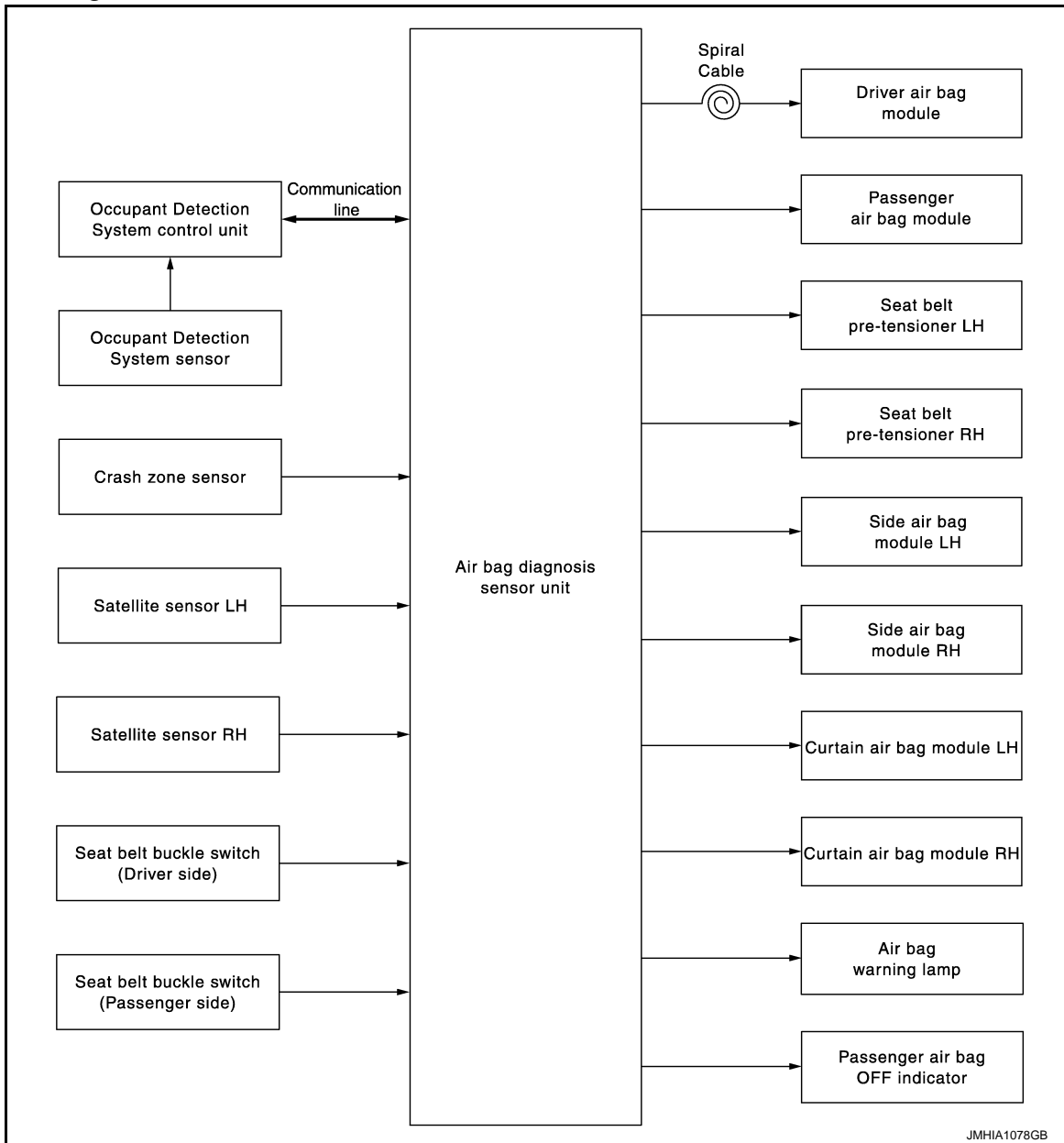
< SYSTEM DESCRIPTION >

SYSTEM DESCRIPTION

SRS AIR BAG SYSTEM

System Diagram

INFOID:000000007772149



System Description

INFOID:000000007772150

Supplemental Restraint System (SRS) activates air bag module and seat belt pre-tensioner when it detects a frontal collision or a side collision that is more than the specified limit. Together with other safety devices, it reduces the impact that occupant receives when vehicle collision occurs.

Air bag diagnosis sensor unit supplies power supply to air bag module and pre-tensioner seat belt when deceleration that is more than the specified limit is detected by G sensor in air bag diagnosis sensor unit, crash zone sensor, or satellite sensor. Air bag module is composed of electric igniter (squib), filter, pyrotechnic material, and gas generating material. When air bag module receives a signal from air bag diagnosis sensor unit, air bag module ignites pyrotechnic material using electric igniter (squib) so that gas generating material generates high temperature nitrogen gas. The gas through filter activates air bag. At the same time, pre-tensioner seat belt receives power supply from air bag diagnosis sensor unit, gas generator is activated, and then gas is generated. Balls in pipe are moved according to generated gas pressure and strike pinion gear on ELR shaft. ELR shaft rotates and retracts seat belt.

SRS AIR BAG SYSTEM

< SYSTEM DESCRIPTION >

AIR BAG DIAGNOSIS SENSOR UNIT FUNCTIONS

Air bag diagnosis sensor unit has the following functions.

- Detects a collision and supplies the energy for deploying air bag and seat belt pre-tensioner.
- Detects and records electrical malfunction in air bag system and seat belt pre-tensioner system, and blinking air bag warning lamp.
- Detects and records the deployment of air bag and seat belt pre-tensioner, and turns ON air bag warning lamp.
- Indicates malfunctioning portion via the number of blinks from the air bag warning lamp in the diagnosis mode.
- Indicates the malfunction record via CONSULT.
- Suppresses the deployment of passenger air bag when passenger seat is empty or occupied by child or child-seat.
- When passenger seat is occupied by child or child seat, turns ON passenger air bag OFF indicator.
- When judges that passenger seat is occupied by a adult or a child and passenger seat belt is not fasten, turns ON seat belt warning lamp. Further information for the seat belt warning system, refer to [SBC-3, "System Description"](#).

COLLISION MODES

The operation of SRS is different depending on the collision modes applications. For example, the driver air bag module, passenger air bag module, and seat belt pre-tensioner are activated in a frontal collision but not in a side collision.

SRS configurations that are activated for the following collision modes.

×: Apply —: Not apply

SRS configuration	Frontal collision	Left side collision	Right side collision
Driver air bag module.	×	—	—
Passenger air bag module.	×	—	—
Seat belt pre-tensioner LH.	×	—	—
Seat belt pre-tensioner RH.	×	—	—
Side air bag module LH.	—	×	—
Side air bag module RH.	—	—	×
Curtain air bag module LH.	—	×	—
Curtain air bag module RH.	—	—	×

A
B
C
D
E
F
G
I
J
K
L
M
N
O
P

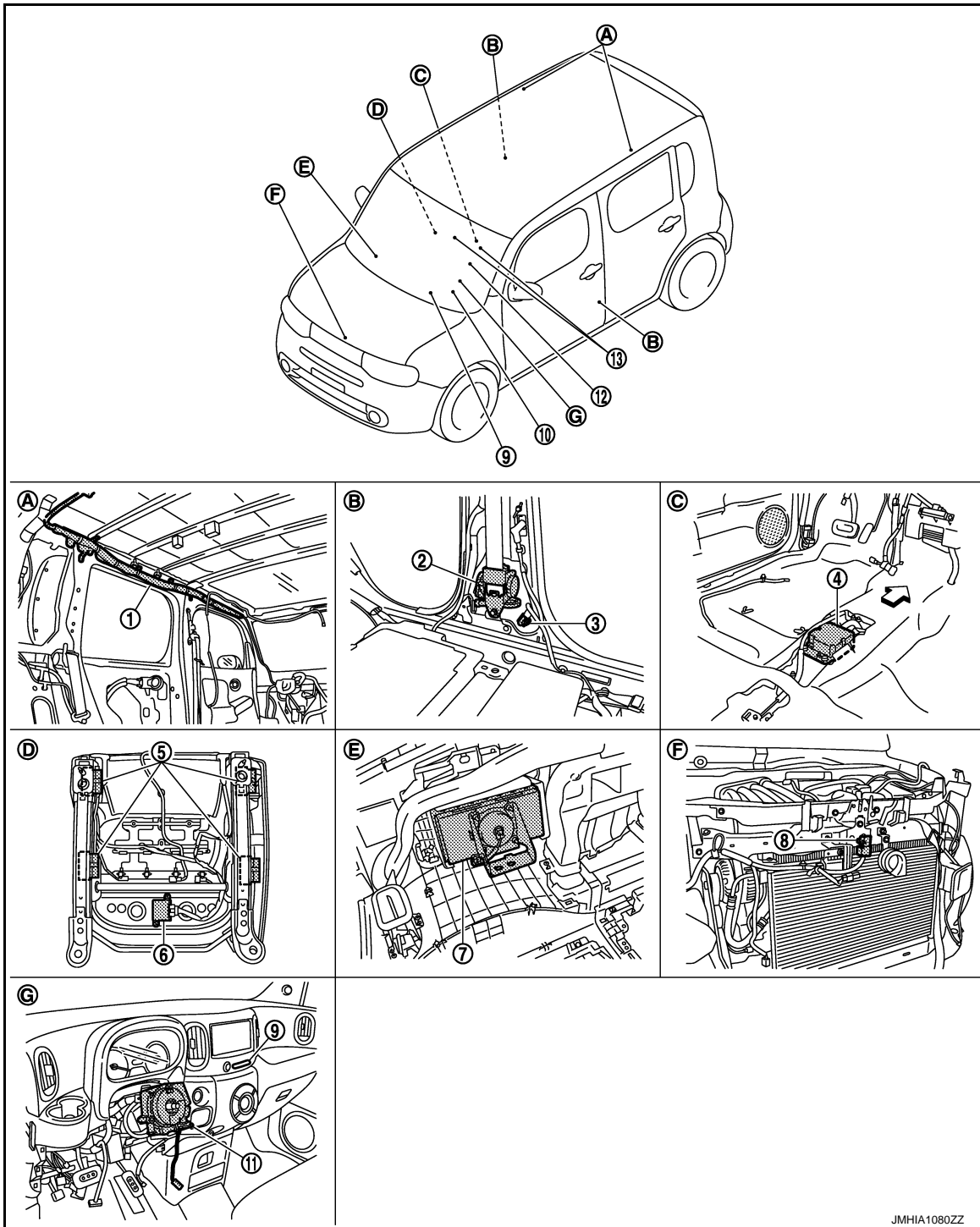
SRC

SRS AIR BAG SYSTEM

< SYSTEM DESCRIPTION >

Component Parts Location

INFOID:000000007772151



- | | | |
|---|--|---|
| 1. Curtain air bag module LH/RH | 2. Seat belt pre-tensioner LH/RH | 3. Satellite sensor LH/RH |
| 4. Air bag diagnosis sensor unit | 5. Occupant Detection System seat sensor | 6. Occupant Detection System control unit |
| 7. Passenger air bag module | 8. Crash zone sensor | 9. Passenger air bag OFF indicator |
| 10. Combination meter
Refer to MWI-8. "METER SYSTEM: Component Parts Location" | 11. Combination switch (spiral cable) | 12. Driver air bag module |
| 13. Seat belt buckle switch (Driver side/
Passenger side) | | |

SRS AIR BAG SYSTEM

< SYSTEM DESCRIPTION >

- | | | |
|---|--------------------------------------|-----------------------------------|
| A. Behind headlining | B. Behind center pillar lower gamish | C. Behind center console assembly |
| D. Backside of passenger seat cushion frame | E. Behind glove box assembly | F. View with front grille removed |
| G. View with steering wheel removed | | |

Component Description

INFOID:000000007772152

Component	Function
Air bag diagnosis sensor unit	Detects a collision and supplies power supply for deployment to air bag module and pre-tensioner seat belt.
Air bag module <ul style="list-style-type: none"> • Driver • Passenger • Side • Curtain 	Receives signal from air bag diagnosis sensor unit and deploys air bag.
Seat belt pre-tensioner	Receives signal from air bag diagnosis sensor unit and deploys seat belt pre-tensioner.
Seat belt buckle switch	Controls deployment timing based on seat belt fastened or unfastened condition.
Crash zone sensor	Transmits signal to air bag diagnosis sensor unit when a frontal collision occurs.
Satellite sensor (LH/RH)	Transmits signal to air bag diagnosis sensor unit when a side collision occurs.
Occupant Detection System control unit	Detects passenger seat occupant and judges whether or not passenger seat air bag is deployed.
Combination meter (air bag warning lamp)	Indicates air bag malfunctioning and deployment by blinking and illuminating air bag warning lamp.
Passenger air bag OFF indicator	Indicates whether or not passenger air bag is in the activation mode based on the judgement of Occupant Detection System.
Combination switch (spiral cable)	Supplies power supply to driver air bag module on steering wheel.

A
B
C
D
E
F
G
I
J
K
L
M
N
O
P

SRC

OCCUPANT DETECTION SYSTEM

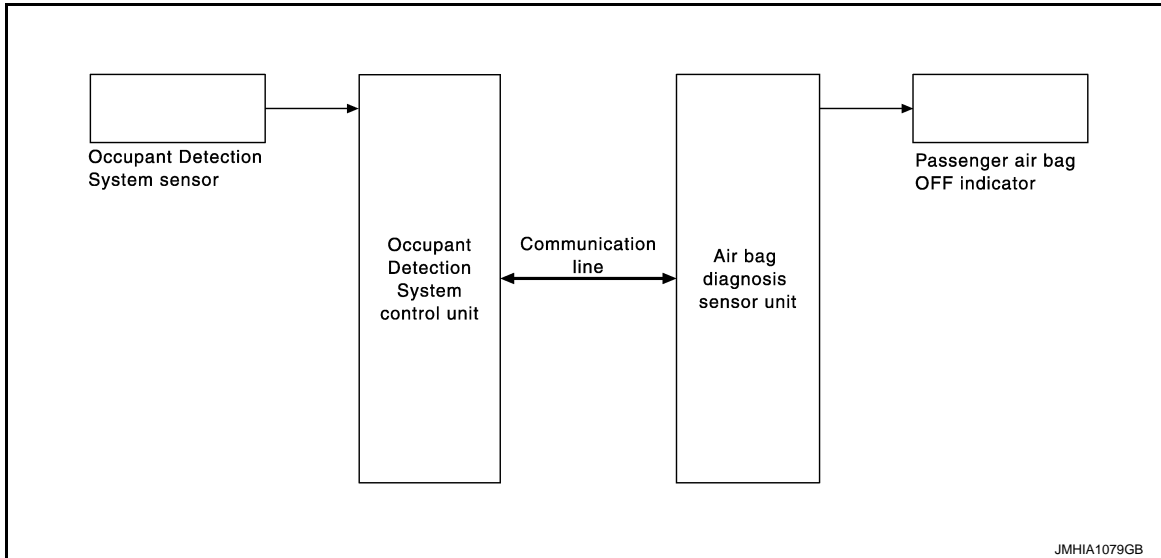
< SYSTEM DESCRIPTION >

OCCUPANT DETECTION SYSTEM

System Diagram

INFOID:000000007772153

OCCUPANT DETECTION SYSTEM



System Description

INFOID:000000007772154

This Occupant Detection System has the following functions.

- Suppress the deployment of passenger air bag when passenger seat is empty, or when occupied by child and child-seat.
- Turns ON passenger air bag OFF indicator when passenger seat is occupied by child-seat and child.
- Indicates malfunction portion with blinking times of air bag warning lamp in diagnosis mode.
- Indicates the malfunctioning record by CONSULT.
- When “zero point reset” for Occupant Detection System is incomplete, CONSULT indicates that “zero point reset” is incomplete. This function is applied to NISSAN genuine parts only.

NOTE:

- Operation of air bag diagnosis sensor unit when air bag diagnosis sensor unit receives information from Occupant Detection System.
- Even if zero point reset is “complete”, always perform zero point reset after the removal and installation of seat or the removal of control unit harness connector.

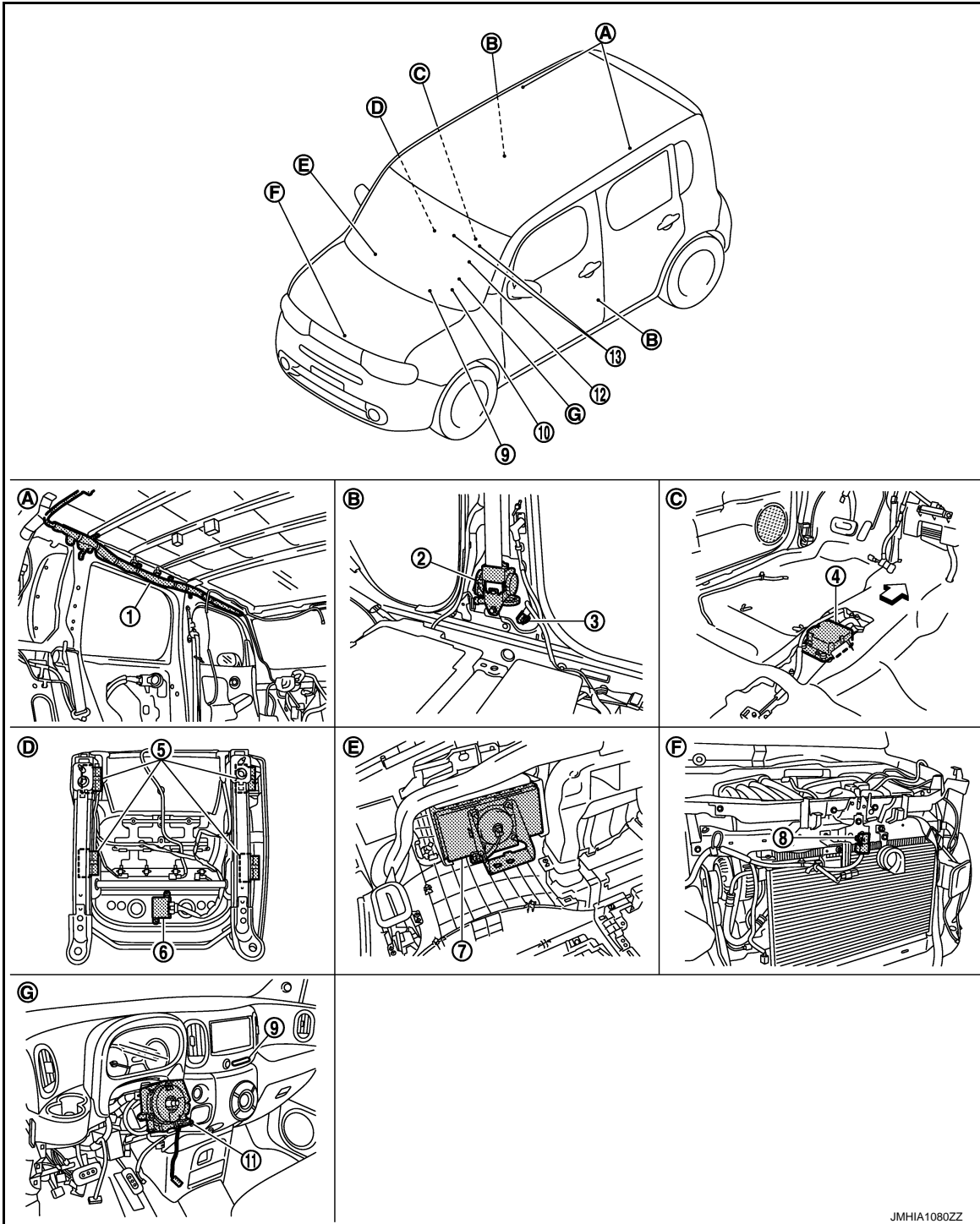
Status (passenger seat)	Passenger air bag	Passenger air bag OFF indicator	Air bag warning lamp
Empty	Suppress	OFF	OFF
An object	Suppress	ON	OFF
Child/ child-seat	Suppress	ON	OFF
Adult	Enable to deploy	OFF	OFF
Malfunction	Suppress	ON	Blinking
Zero point reset Not yet performed (NISSAN genuine parts only)	Suppress	ON	Blinking

OCCUPANT DETECTION SYSTEM

< SYSTEM DESCRIPTION >

Component Parts Location

INFOID:000000007772155



- | | | |
|---|--|---|
| 1. Curtain air bag module LH/RH | 2. Seat belt pre-tensioner LH/RH | 3. Satellite sensor LH/RH |
| 4. Air bag diagnosis sensor unit | 5. Occupant Detection System seat sensor | 6. Occupant Detection System control unit |
| 7. Passenger air bag module | 8. Crash zone sensor | 9. Passenger air bag OFF indicator |
| 10. Combination meter
Refer to MWI-8, "METER SYSTEM: Component Parts Location" | 11. Combination switch (spiral cable) | 12. Driver air bag module |
| 13. Seat belt buckle switch (Driver side/ Passenger side) | | |

JMHA1080ZZ

A
B
C
D
E
F
G
SRC
I
J
K
L
M
N
O
P

OCCUPANT DETECTION SYSTEM

< SYSTEM DESCRIPTION >

- A. Behind headlining B. Behind center pillar lower garnish C. Behind center console assembly
D. Backside of passenger seat cushion frame E. Behind glove box assembly F. View with front grille removed
G. View with steering wheel removed

Component Description

INFOID:000000007772156

Component parts	Outline of function
Occupant Detection System sensor	Detects if the passenger seat is empty or occupied
Occupant Detection System control unit	Transmits the passenger seat status (occupied or empty) to air bag diagnosis sensor unit
Passenger air bag OFF indicator	Turns the passenger air bag OFF indicator lamp ON when the passenger seat is occupied by a child or a child-seat
Air bag diagnosis sensor unit	<ul style="list-style-type: none">• Performs the deploy judgement of passenger air bag based on the information from Occupant Detection System control unit.• Passenger air bag OFF indicator turns ON or turns OFF when passenger state signal detected by Occupant Detection System control unit is received.

ON BOARD DIAGNOSTIC (OBD) SYSTEM

< SYSTEM DESCRIPTION >

ON BOARD DIAGNOSTIC (OBD) SYSTEM

Diagnosis Description

INFOID:000000007772157

CAUTION:

- Never use electrical test equipment on any circuit related to the SRS unless instructed in this Service Manual. SRS wiring harnesses can be identified by yellow and/or orange harnesses or harness connectors.
- Never repair, splice or modify the SRS wiring harness. If the harness is damaged, replace it with a new one.
- Keep ground portion clean.

DIAGNOSIS FUNCTION

- The SRS self-diagnosis results can be read with air bag warning lamp and/or CONSULT.
- The user mode is exclusively prepared for the customer (driver). This mode warns the driver of a system malfunction through the operation of the air bag warning lamp.
- The diagnosis mode allows the technician to locate and inspect the malfunctioning part.
- The mode applications for the air bag warning lamp and CONSULT are as per the following items.

x: Application, —: Not application

Diagnosis tool	User mode	Diagnosis mode
Air bag warning lamp	x	x
CONSULT	—	x

Diagnosis with Air Bag Warning Lamp

INFOID:000000007772158

SELF DIAGNOSIS FUNCTION

There are two self diagnosis functions with air bag warning lamp per the following items.

- USER MODE
- DIAGNOSIS MODE

CHANGE DIAGNOSIS MODE

- Diagnosis mode changes from user mode to diagnosis mode when changing operation is performed.
- In user mode, when SRS air bag warning lamp is not blinking, changing to diagnosis mode by ignition switch operation is not possible.
- In diagnosis mode, when repair is complete and system is normal, the mode changes to user mode when ignition switch is turned from OFF to ON.

PROCEDURE TO CHANGE DIAGNOSIS MODE

1. Turn ignition switch from OFF to ON.
2. SRS air bag lamp turns ON for 7 second and turns OFF, then turn ignition switch OFF within 1second after the lamp turns OFF.
3. After turning ignition switch OFF, wait for 3 seconds or more.
4. Repeat operation 1 to 3 for 2 times so that operation 1 to 3 is repeated for 3times in total.
5. Turn ignition switch from OFF to ON. Diagnosis mode changes.

USER MODE

In USER MODE, air bag warning lamp on combination meter blinks when a malfunction is detected and warns the customer (driver).

How to Read Air Bag Warning Lamp

1. Turn the ignition switch from OFF to ON, and check that the air bag warning lamp blinks.
2. Compare the air bag warning lamp blinking pattern with the examples.

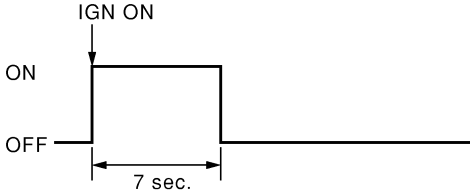
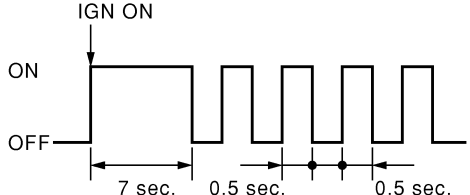
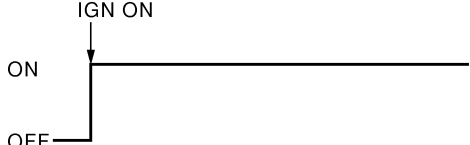

Air Bag Warning Lamp Examples

A
B
C
D
E
F
G
I
J
K
L
M
N
O
P

SRC

ON BOARD DIAGNOSTIC (OBD) SYSTEM

< SYSTEM DESCRIPTION >

Air bag warning lamp operation (user mode)	SRS condition	Reference item
 <p style="text-align: right;">SHIA0011E</p>	<ul style="list-style-type: none"> No malfunction is detected No further action is necessary 	<p style="text-align: center;">—</p>
 <p style="text-align: right;">SHIA0012E</p>	<ul style="list-style-type: none"> The system is malfunctioning Self diagnostic result is not erased after repair <p>Battery voltage is low (less than 9 V)</p> <p>Zero point reset is not completed</p> <p>Intermittent malfunction is detected in the past</p>	<p>Erase "Self Diagnostic Result" Refer to SRC-23, "CONSULT Function", How to Erase Self-diagnostic Result</p> <p>Check "Cause of Warning Lamp" with CONSULT. Refer to SRC-23, "CONSULT Function"</p> <p>Go to SRC-8, "ZERO POINT RESET : Description"</p> <p>Go to GI-41, "Intermittent Incident"</p>
 <p style="text-align: right;">SHIA0013E</p>	<ul style="list-style-type: none"> Air bag is deployed Seat belt pre-tensioner is deployed <ul style="list-style-type: none"> Air bag diagnosis sensor unit is malfunctioning Air bag power supply circuit is malfunctioning Air bag warning lamp circuit is malfunctioning 	<p>Go to SRC-152, "Diagnosis Procedure" or SRC-153, "Diagnosis Procedure"</p> <p>Go to SRC-168, "Diagnosis Procedure"</p>
 <p style="text-align: right;">SHIA0014E</p>	<ul style="list-style-type: none"> Air bag diagnosis sensor unit is malfunctioning Air bag warning lamp circuit is malfunctioning 	<p>Go to SRC-169, "Diagnosis Procedure"</p>

DIAGNOSIS MODE

The diagnosis mode can only be switched when a malfunction is detected in the user mode. Malfunctioning system is indicated according to blinking pattern of air bag warning lamp.

How to Read Air Bag Warning Lamp

- Follow the procedures of "PROCEDURE TO CHANGE DIAGNOSIS MODE", and switch to the diagnosis mode.
- Turn ignition switch ON. Check the blinking pattern of air bag warning lamp.
There are 2 blinking patterns for the air bag warning lamp as per the following items.
 - Front air bag system: 3 second blink followed by a 0.5 second blink repeated.

ON BOARD DIAGNOSTIC (OBD) SYSTEM

< SYSTEM DESCRIPTION >

- Side air bag system: Two 1.5 second blinks followed by a 0.5 second blink repeated.

Front air bag system

Number of 0.5 second blinks	Malfunctioning items	Blinking pattern
0	<ul style="list-style-type: none"> • Self-diagnostic result is not erased after repair • Intermittent malfunction is detected in the past 	Refer to the following items <ul style="list-style-type: none"> • Refer to How to Erase Self-diagnostic Result • GI-41, "Intermittent Incident"
1	Seat belt pre-tensioner RH	Refer to the following items <ul style="list-style-type: none"> • SRC-75, "DTC Logic" • SRC-77, "DTC Logic" • SRC-79, "DTC Logic" • SRC-81, "DTC Logic"
2	Driver air bag module	Refer to the following items <ul style="list-style-type: none"> • SRC-53, "DTC Logic" • SRC-55, "DTC Logic" • SRC-57, "DTC Logic" • SRC-59, "DTC Logic" • SRC-73, "DTC Logic"
3	Seat belt pre-tensioner LH	Refer to the following items <ul style="list-style-type: none"> • SRC-83, "DTC Logic" • SRC-85, "DTC Logic" • SRC-87, "DTC Logic" • SRC-89, "DTC Logic"
5	Occupant Detection System control unit	Refer to the following items <ul style="list-style-type: none"> • SRC-31, "DTC Logic" • SRC-33, "DTC Logic" • SRC-35, "DTC Logic" • SRC-39, "DTC Logic"
6	Crash zone sensor	Refer to the following items <ul style="list-style-type: none"> • SRC-43, "DTC Logic" • SRC-45, "DTC Logic" • SRC-47, "DTC Logic" • SRC-49, "DTC Logic"
7	Air bag diagnosis sensor unit	Refer to the following items <ul style="list-style-type: none"> • SRC-25, "DTC Logic" • SRC-27, "DTC Logic" • SRC-29, "DTC Logic" • SRC-41, "DTC Logic" • SRC-51, "DTC Logic" • SRC-61, "DTC Logic" • SRC-71, "DTC Logic" • SRC-91, "DTC Logic" • SRC-93, "DTC Logic" • SRC-107, "DTC Logic" • SRC-125, "DTC Logic" • SRC-144, "DTC Logic" • SRC-146, "DTC Logic" • SRC-148, "DTC Logic" • SRC-150, "DTC Logic" • SRC-159, "DTC Logic" • SRC-161, "DTC Logic"
8	Passenger air bag module	Refer to the following items <ul style="list-style-type: none"> • SRC-63, "DTC Logic" • SRC-65, "DTC Logic" • SRC-67, "DTC Logic" • SRC-69, "DTC Logic"
11	Passenger air bag OFF indicator	Refer to SRC-37, "DTC Logic" .
17	Air bag diagnosis sensor unit	Refer to SRC-127, "DTC Logic"

A

B

C

D

E

F

G

SRC

I

J

K

L

M

N

O

P

ON BOARD DIAGNOSTIC (OBD) SYSTEM

< SYSTEM DESCRIPTION >

Side air bag system

Number of 0.5-second blinks	Malfunctioning items	Blinking pattern
1	Side air bag module RH	Refer to the following items <ul style="list-style-type: none"> • SRC-109, "DTC Logic" • SRC-111, "DTC Logic" • SRC-113, "DTC Logic" • SRC-115, "DTC Logic"
2	Side air bag module LH	Refer to the following items <ul style="list-style-type: none"> • SRC-117, "DTC Logic" • SRC-119, "DTC Logic" • SRC-121, "DTC Logic" • SRC-123, "DTC Logic"
3	Satellite sensor RH	Refer to the following items <ul style="list-style-type: none"> • SRC-95, "DTC Logic" • SRC-97, "DTC Logic" • SRC-99, "DTC Logic" • SRC-155, "DTC Logic"
4	Satellite sensor LH	Refer to the following items <ul style="list-style-type: none"> • SRC-101, "DTC Logic" • SRC-103, "DTC Logic" • SRC-105, "DTC Logic" • SRC-157, "DTC Logic"
5	Curtain air bag module RH	Refer to the following items <ul style="list-style-type: none"> • SRC-128, "DTC Logic" • SRC-130, "DTC Logic" • SRC-132, "DTC Logic" • SRC-134, "DTC Logic"
6	Curtain air bag module LH	Refer to the following items <ul style="list-style-type: none"> • SRC-136, "DTC Logic" • SRC-138, "DTC Logic" • SRC-140, "DTC Logic" • SRC-142, "DTC Logic"

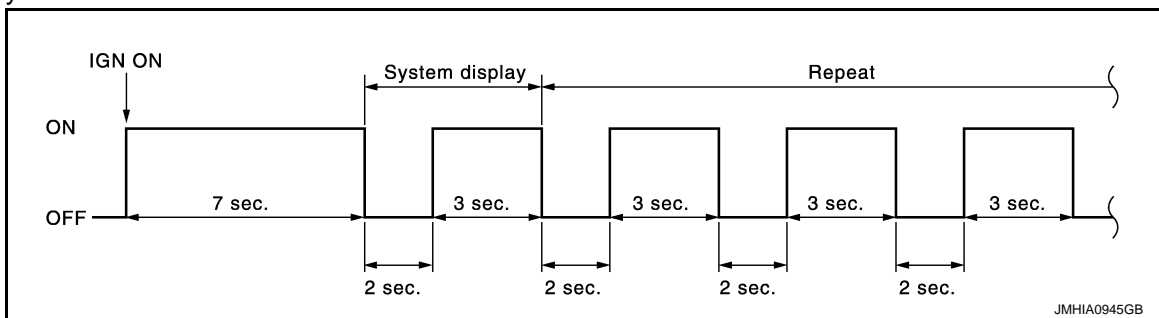
How to Erase Self Diagnosis Result

After a malfunction is repaired, turn the ignition switch OFF for one second or more, then turn ignition switch ON. The diagnosis mode returns to the user mode. At that time the self-diagnosis result is cleared.

EXAMPLE OF AIR BAG WARNING LAMP OPERATION IN THE DIAGNOSIS MODE

System Normal

When system is normal.



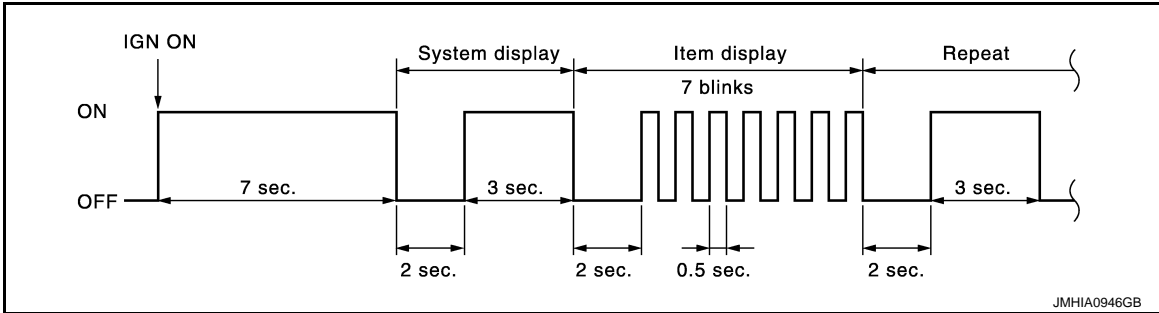
Single System Malfunction

- Front air bag system

ON BOARD DIAGNOSTIC (OBD) SYSTEM

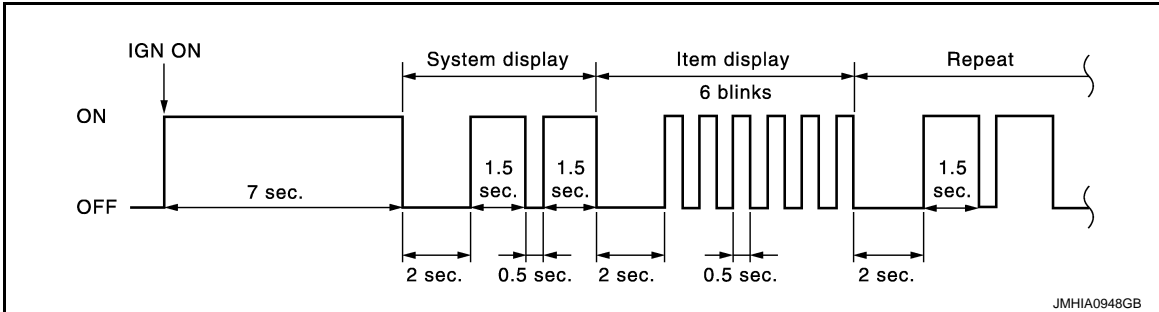
< SYSTEM DESCRIPTION >

When air bag diagnosis sensor unit system (Item display 1) is malfunctioning.



- Side air bag system

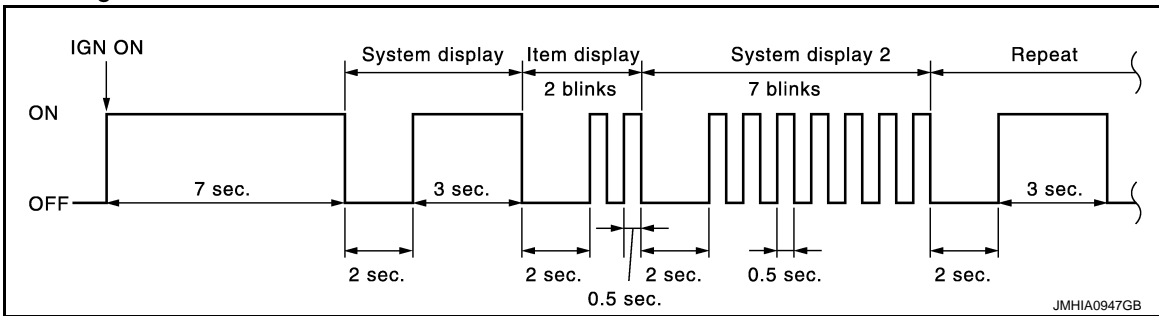
When curtain air bag module LH system (Item display 1) is malfunctioning.



Multiple Systems Malfunction

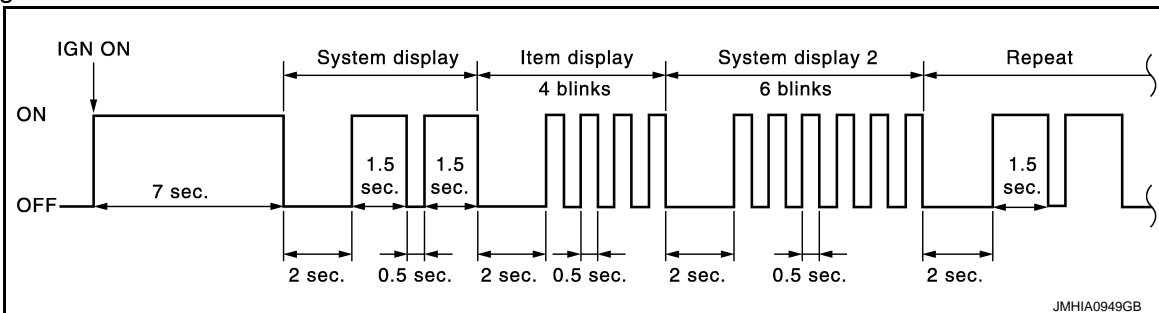
- Front air bag system

When driver air bag module (Item display 1) and air bag diagnosis sensor unit system (Item display 2) are malfunctioning.



- Side air bag system

When satellite sensor LH (Item display 1) and curtain air bag module LH system (Item display 2) are malfunctioning.



- Front air bag system and side air bag system

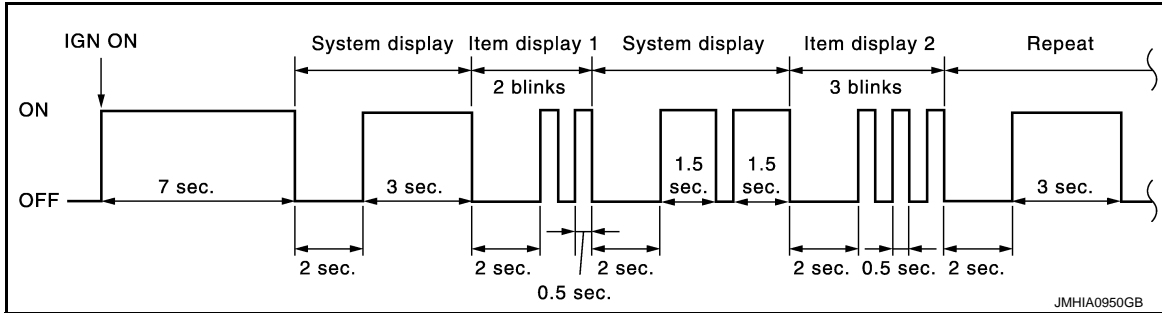
A
B
C
D
E
F
G
I
J
K
L
M
N
O
P

SRC

ON BOARD DIAGNOSTIC (OBD) SYSTEM

< SYSTEM DESCRIPTION >

When driver air bag module (Item display 1) and satellite sensor RH (Item display2) are malfunctioning.



DIAGNOSIS SYSTEM (AIR BAG)

< SYSTEM DESCRIPTION >

DIAGNOSIS SYSTEM (AIR BAG)

CONSULT Function

INFOID:000000007772159

APPLICATION ITEM

CONSULT performs the following functions.

Diagnosis mode	Description
ECU Identification	Air bag diagnosis sensor unit ECU discriminated number (identification number) or part number is displayed. Air bag diagnosis sensor unit has individual ECU discriminated number (identification number) or part number based on model and equipment.
Self Diagnostic Result	<ul style="list-style-type: none">Self-diagnosis result is displayed. Refer to SRC-162, "DTC Index"."No DTC" is displayed when repair is completed by part replacement or other operations."SELF-DIAG RESULT [MEMORY]" is displayed until "Erase" is performed. CAUTION: When "No DTC" is displayed after repair, always perform "Erase". If this is not done SRS air bag warning lamp remains blinking when user mode is resumed.
TROUBLE DIAG RECORD	With TROUBLE DIAG RECORD, diagnosis results previously erased by a reset operation can be displayed on CONSULT screen.
SELF-DIAG RESULTS [CAN]	NOTE: This item is displayed, but cannot be supported.
Cause of Warning Lamp	It displays the cause of warning lamp illumination that is not recorded in memory.

CAUSE OF WARNING LAMP

This item indicates IGN low voltage condition.

The air bag warning lamp blink in user mode when the battery voltage is lowered to the voltage value (less than 9 V) at which the SRS cannot be operated normally. The air bag warning lamp turns OFF after the battery voltage returns to normal status after blinking.

In such a case, the DTC memory is not performed and changing to the self-diagnostic mode by IGN operation cannot be performed while the air bag warning lamp illuminates. "NO DTC" is displayed even if the malfunctioning parts are checked by CONSULT.

This function records the following items.

Display contents of CONSULT	Description
Air bag	IGN VOLT COND "LOW" is displayed when IGN low voltage is detected. If not, "OK" is displayed.
	IGN VOLT TIME Times of IGN low voltage is detected.
	LOW V RECORDED Times of IGN ON after IGN low voltage is detected.

DIAGNOSIS SYSTEM (OCCUPANT DETECTION SYSTEM)

< SYSTEM DESCRIPTION >

DIAGNOSIS SYSTEM (OCCUPANT DETECTION SYSTEM)

CONSULT Function

INFOID:000000007772160

ZERO POINT RESET DESCRIPTION

This vehicle adopts occupant detection system with a weight detecting method. When replacing, or removing and installing passenger seat, always perform "zero point rest" so that the vehicle recognizes zero point. If zero point reset is incomplete, occupant detection sensor does not operate normally.

WORK SUPPORT

Monitor item	Description
Zero point reset function	Perform zero point reset. Refer to SRC-8, "ZERO POINT RESET : Special Repair Requirement" .

B1001, B1002, B1003, B1004, B1005 DIAGNOSIS SENSOR UNIT

< DTC/CIRCUIT DIAGNOSIS >

DTC/CIRCUIT DIAGNOSIS

B1001, B1002, B1003, B1004, B1005 DIAGNOSIS SENSOR UNIT

Description

INFOID:000000000772161

- It detects a shock that is more than the specified level and monitors whether the driver and passenger air bags, side air bag, curtain air bag, and pre-tensioner seat belts operate normally.
- It contains the "G" sensors for both frontal and side collisions and spare battery function in case of main battery damage in collision.

DTC Logic

INFOID:000000000772162

DTC DETECTION LOGIC

DTC	Display contents of CONSULT	DTC detecting condition	Possible cause
B1001 B1002 B1003 B1004 B1005	CONTROL UNIT	Air bag diagnosis sensor unit is malfunctioning	Malfunction in air bag diagnosis sensor unit

DTC CONFIRMATION PROCEDURE

1. CHECK SELF-DIAG RESULT

With CONSULT

1. Turn ignition switch ON.
2. Perform "AIR BAG" Self Diagnostic Result.

Without CONSULT

1. Turn ignition switch ON.
2. Check the air bag warning lamp status. Refer to [SRC-17. "Diagnosis with Air Bag Warning Lamp"](#).

NOTE:

SRS does not enter the diagnosis mode if no malfunction is detected in the user mode.

Is malfunctioning part detected?

- YES >> Refer to [SRC-25. "Diagnosis Procedure"](#).
NO >> INSPECTION END

Diagnosis Procedure

INFOID:000000000772163

WARNING:

- Before servicing, turn ignition switch OFF, disconnect battery negative terminal, and wait 3 minutes or more. (To discharge backup capacitor.)
- Never use unspecified tester or other measuring device.

1. CHECK HARNESS CONNECTOR

Check the harness connector.

Is the inspection result normal?

- YES >> GO TO 2.
NO >> Replace harness connectors.

2. CHECK WIRING HARNESS

Check the wiring harness externals.

Is the inspection result normal?

- YES >> GO TO 3.
NO >> Replace wiring harness.

3. REPLACE AIR BAG DIAGNOSIS SENSOR UNIT

1. Replace air bag diagnosis sensor unit. Refer to [SR-25. "Exploded View"](#).

B1001, B1002, B1003, B1004, B1005 DIAGNOSIS SENSOR UNIT

< DTC/CIRCUIT DIAGNOSIS >

2. Perform DTC confirmation procedure. Refer to [SRC-25. "DTC Logic"](#).

Is DTC detected?

YES >> GO TO 1.

NO >> INSPECTION END

B1006, B1007, B1008, B1009, B1010 DIAGNOSIS SENSOR UNIT

< DTC/CIRCUIT DIAGNOSIS >

B1006, B1007, B1008, B1009, B1010 DIAGNOSIS SENSOR UNIT

Description

INFOID:000000007772164

- It detects a shock that is more than the specified level and monitors whether the driver and passenger air bags, side air bag, curtain air bag, and pre-tensioner seat belts operate normally.
- It contains the "G" sensors for both frontal and side collisions and spare battery function in case of main battery damage in collision.

DTC Logic

INFOID:000000007772165

DTC DETECTION LOGIC

DTC	Display contents of CONSULT	DTC detecting condition	Possible cause
B1006 B1007 B1008 B1009 B1010	CONTROL UNIT	Air bag diagnosis sensor unit is malfunctioning	Malfunction in air bag diagnosis sensor unit

DTC CONFIRMATION PROCEDURE

1. CHECK SELF-DIAG RESULT

With CONSULT

1. Turn ignition switch ON.
2. Perform "AIR BAG" Self-Diagnostic Result.

Without CONSULT

1. Turn ignition switch ON.
2. Check the air bag warning lamp status. Refer to [SRC-17. "Diagnosis with Air Bag Warning Lamp"](#).

NOTE:

SRS does not enter the diagnosis mode if no malfunction is detected in the user mode.

Is malfunctioning part detected?

- YES >> Refer to [SRC-27. "Diagnosis Procedure"](#).
NO >> INSPECTION END

Diagnosis Procedure

INFOID:000000007772166

WARNING:

- Before servicing, turn ignition switch OFF, disconnect battery negative terminal, and wait 3 minutes or more. (To discharge backup capacitor.)
- Never use unspecified tester or other measuring device.

1. CHECK HARNESS CONNECTOR

Check the harness connector.

Is the inspection result normal?

- YES >> GO TO 2.
NO >> Replace harness connectors.

2. CHECK WIRING HARNESS

Check the wiring harness externals.

Is the inspection result normal?

- YES >> GO TO 3.
NO >> Replace wiring harness.

3. REPLACE AIR BAG DIAGNOSIS SENSOR UNIT

1. Replace air bag diagnosis sensor unit. Refer to [SR-25. "Exploded View"](#)
2. Perform DTC confirmation procedure. Refer to [SRC-27. "DTC Logic"](#)

Is DTC detected?

B1006, B1007, B1008, B1009, B1010 DIAGNOSIS SENSOR UNIT

< DTC/CIRCUIT DIAGNOSIS >

YES >> GO TO 1.

NO >> INSPECTION END

B1011, B1012, B1013, B1014, B1015 DIAGNOSIS SENSOR UNIT

< DTC/CIRCUIT DIAGNOSIS >

B1011, B1012, B1013, B1014, B1015 DIAGNOSIS SENSOR UNIT

Description

INFOID:000000007772167

- It detects a shock that is more than the specified level and monitors whether the driver and passenger air bags, side air bag, curtain air bag, and pre-tensioner seat belts operate normally.
- It contains the "G" sensors for both frontal and side collisions and spare battery function in case of main battery damage in collision.

DTC Logic

INFOID:000000007772168

DTC DETECTION LOGIC

DTC	Display contents of CONSULT	DTC detecting condition	Possible cause
B1011 B1012 B1013 B1014 B1015	CONTROL UNIT	Air bag diagnosis sensor unit is malfunctioning	Malfunction in air bag diagnosis sensor unit

DTC CONFIRMATION PROCEDURE

1. CHECK SELF-DIAG RESULT

With CONSULT

1. Turn ignition switch ON.
2. Perform "AIR BAG" Self Diagnostic Result.

Without CONSULT

1. Turn ignition switch ON.
2. Check the air bag warning lamp status. Refer to [SRC-17, "Diagnosis with Air Bag Warning Lamp"](#).

NOTE:

SRS does not enter the diagnosis mode if no malfunction is detected in the user mode.

Is malfunctioning part detected?

- YES >> Refer to [SRC-29, "Diagnosis Procedure"](#).
NO >> INSPECTION END

Diagnosis Procedure

INFOID:000000007772169

WARNING:

- **Before servicing, turn ignition switch OFF, disconnect battery negative terminal, and wait 3 minutes or more. (To discharge backup capacitor.)**
- **Never use unspecified tester or other measuring device.**

1. CHECK HARNESS CONNECTOR

Check the harness connector.

Is the inspection result normal?

- YES >> GO TO 2.
NO >> Replace harness connectors.

2. CHECK WIRING HARNESS

Check the wiring harness externals.

Is the inspection result normal?

- YES >> GO TO 3.
NO >> Replace wiring harness.

3. REPLACE AIR BAG DIAGNOSIS SENSOR UNIT

1. Replace air bag diagnosis sensor unit. Refer to [SR-25, "Exploded View"](#)
2. Perform DTC confirmation procedure. Refer to [SRC-29, "DTC Logic"](#)

Is DTC detected?

B1011, B1012, B1013, B1014, B1015 DIAGNOSIS SENSOR UNIT

< DTC/CIRCUIT DIAGNOSIS >

YES >> GO TO 1.

NO >> INSPECTION END

B1017, B1020, B1021 OCCUPANT SYSTEM CONTROL UNIT

< DTC/CIRCUIT DIAGNOSIS >

B1017, B1020, B1021 OCCUPANT SYSTEM CONTROL UNIT

Description

INFOID:000000007772170

This unit classifies occupant in passenger seat and detects electrical malfunctions in Occupant Detection System, and transmits malfunction information to air bag diagnosis sensor unit.

DTC Logic

INFOID:000000007772171

DTC DETECTION LOGIC

DTC	Display contents of CONSULT	DTC detecting condition	Possible cause
B1017 B1020 B1021	OCCUPANT SENS C/U [UNIT FAIL]	Occupant Detection System control unit is malfunctioning	<ul style="list-style-type: none">• Disconnection of wiring harness• Malfunction in Occupant Detection System control unit• Malfunction in air bag diagnosis sensor unit

DTC CONFIRMATION PROCEDURE

1. CHECK SELF-DIAG RESULT

With CONSULT

1. Turn ignition switch ON.
2. Perform "AIR BAG" Self Diagnostic Result with CONSULT.

Without CONSULT

1. Turn ignition switch ON.
2. Check the air bag warning lamp status. Refer to [SRC-17, "Diagnosis with Air Bag Warning Lamp"](#).

NOTE:

SRS does not enter the diagnosis mode if no malfunction is detected in the user mode.

Is malfunctioning part detected?

- YES >> Refer to [SRC-31, "Diagnosis Procedure"](#).
NO >> INSPECTION END

Diagnosis Procedure

INFOID:000000007772172

WARNING:

- Before servicing, turn ignition switch OFF, disconnect battery negative terminal, and wait 3 minutes or more. (To discharge backup capacitor.)
- Never use unspecified tester or other measuring device.

DIAGNOSTIC PROCEDURE

1. CHECK HARNESS CONNECTOR

Check the connection of harness connector.

Is the inspection result normal?

- YES >> GO TO 2.
NO >> Replace harness connectors.

2. CHECK WIRING HARNESS

Check the wiring harness externals.

Is the inspection result normal?

- YES >> GO TO 3.
NO >> Replace wiring harness.

3. REPLACE OCCUPANT DETECTION SYSTEM CONTROL UNIT

1. Replace occupant detection system control unit. Refer to [SR-28, "Removal and Installation"](#).
2. Perform DTC confirmation procedure. Refer to [SRC-31, "DTC Logic"](#).

Is DTC detected?

- YES >> GO TO 4.

B1017, B1020, B1021 OCCUPANT SYSTEM CONTROL UNIT

< DTC/CIRCUIT DIAGNOSIS >

NO >> INSPECTION END

4. REPLACE OCCUPANT DETECTION SYSTEM SEAT SENSOR

1. Replace passenger seat cushion assembly. Refer to [SE-15, "Exploded View"](#).
2. Perform DTC confirmation procedure. Refer to [SRC-31, "DTC Logic"](#).

Is DTC detected?

YES >> GO TO 5.

NO >> INSPECTION END

5. REPLACE AIR BAG DIAGNOSIS SENSOR UNIT

1. Replace air bag diagnosis sensor unit. Refer to [SR-25, "Removal and Installation"](#).
2. Perform DTC confirmation procedure. Refer to [SRC-31, "DTC Logic"](#).

Is DTC detected?

YES >> GO TO 1.

NO >> INSPECTION END

B1018 OCCUPANT SYSTEM SENSOR

< DTC/CIRCUIT DIAGNOSIS >

B1018 OCCUPANT SYSTEM SENSOR

Description

INFOID:000000007772173

Occupant Detection System sensor detects occupant in passenger seat and transmits it to Occupant Detection System control unit.

DTC Logic

INFOID:000000007772174

DTC DETECTION LOGIC

DTC	Display contents of CONSULT	DTC detecting condition	Possible cause
B1018	OCCUPANT SENS [UNIT FAIL]	Occupant Detection System sensor is malfunctioning	<ul style="list-style-type: none">• Disconnection of wiring harness• Malfunction in Occupant Detection System sensor• Malfunction in Occupant Detection System control unit• Malfunction in air bag diagnosis sensor unit

DTC CONFIRMATION PROCEDURE

1. CHECK SELF-DIAG RESULT

With CONSULT

1. Turn ignition switch ON.
2. Perform "AIR BAG" Self Diagnostic Result with CONSULT.

Without CONSULT

1. Turn ignition switch ON.
2. Check the air bag warning lamp status. Refer to [SRC-17, "Diagnosis with Air Bag Warning Lamp"](#).

NOTE:

SRS does not enter the diagnosis mode if no malfunction is detected in the user mode.

Is malfunctioning part detected?

- YES >> Refer to [SRC-33, "Diagnosis Procedure"](#).
NO >> INSPECTION END

Diagnosis Procedure

INFOID:000000007772175

WARNING:

- Before servicing, turn ignition switch OFF, disconnect battery negative terminal, and wait 3 minutes or more. (To discharge backup capacitor.)
- Never use unspecified tester or other measuring device.

DIAGNOSTIC PROCEDURE

1. CHECK HARNESS CONNECTOR

Check the connection of harness connector.

Is the inspection result normal?

- YES >> GO TO 2.
NO >> Replace harness connectors.

2. CHECK WIRING HARNESS

Check the wiring harness externals.

Is the inspection result normal?

- YES >> GO TO 3.
NO >> Replace wiring harness.

3. REPLACE OCCUPANT DETECTION SYSTEM CONTROL UNIT

1. Replace occupant detection system control unit. Refer to [SR-28, "Removal and Installation"](#).
2. Perform DTC confirmation procedure. Refer to [SRC-33, "DTC Logic"](#).

Is DTC detected?

- YES >> GO TO 4.

B1018 OCCUPANT SYSTEM SENSOR

< DTC/CIRCUIT DIAGNOSIS >

NO >> INSPECTION END

4.REPLACE OCCUPANT DETECTION SYSTEM SEAT SENSOR

1. Replace passenger seat cushion assembly. Refer to [SE-15, "Exploded View"](#).
2. Perform DTC confirmation procedure. Refer to [SRC-33, "DTC Logic"](#).

Is DTC detected?

YES >> GO TO 5.

NO >> INSPECTION END

5.REPLACE AIR BAG DIAGNOSIS SENSOR UNIT

1. Replace air bag diagnosis sensor unit. Refer to [SR-25, "Removal and Installation"](#).
2. Perform DTC confirmation procedure. Refer to [SRC-33, "DTC Logic"](#).

Is DTC detected?

YES >> GO TO 1.

NO >> INSPECTION END

B1022 OCCUPANT SYSTEM CONTROL UNIT

< DTC/CIRCUIT DIAGNOSIS >

B1022 OCCUPANT SYSTEM CONTROL UNIT

Description

INFOID:000000007772176

This unit classifies occupant in passenger seat and detects electrical malfunctions in Occupant Detection System, and transmits malfunction information to air bag diagnosis sensor unit.

DTC Logic

INFOID:000000007772177

DTC DETECTION LOGIC

DTC	Display contents of CONSULT	DTC detecting condition	Possible cause
B1022	OCCUPANT SENS C/U [COMM FAIL]	<ul style="list-style-type: none">Internal malfunction of Occupant Detection System control unitMalfunction of circuit between Occupant Detection System control unit and Air bag diagnosis sensor unitMalfunction of Air bag diagnosis sensor unit	<ul style="list-style-type: none">Disconnection of wiring harnessMalfunction in Occupant Detection System control unitMalfunction in air bag diagnosis sensor unit

DTC CONFIRMATION PROCEDURE

1. CHECK SELF-DIAG RESULT

With CONSULT

- Turn ignition switch ON.
- Perform "AIR BAG" Self Diagnostic Result with CONSULT.

Without CONSULT

- Turn ignition switch ON.
- Check the air bag warning lamp status. Refer to [SRC-17, "Diagnosis with Air Bag Warning Lamp"](#).

NOTE:

SRS does not enter the diagnosis mode if no malfunction is detected in the user mode.

Is malfunctioning part detected?

- YES >> Refer to [SRC-35, "Diagnosis Procedure"](#).
NO >> INSPECTION END

Diagnosis Procedure

INFOID:000000007772178

WARNING:

- Before servicing, turn ignition switch OFF, disconnect battery negative terminal, and wait 3 minutes or more. (To discharge backup capacitor.)
- Never use unspecified tester or other measuring device.

DIAGNOSTIC PROCEDURE

1. CHECK HARNESS CONNECTOR

Check the connection of harness connector.

Is the inspection result normal?

- YES >> GO TO 2.
NO >> Replace harness connectors.

2. CHECK WIRING HARNESS

Check the wiring harness externals.

Is the inspection result normal?

- YES >> GO TO 3.
NO >> Replace wiring harness.

3. REPLACE OCCUPANT DETECTION SYSTEM CONTROL UNIT

- Replace occupant detection system control unit. Refer to [SR-28, "Removal and Installation"](#).
- Perform DTC confirmation procedure. Refer to [SRC-35, "DTC Logic"](#).

B1022 OCCUPANT SYSTEM CONTROL UNIT

< DTC/CIRCUIT DIAGNOSIS >

Is DTC detected?

- YES >> GO TO 4.
- NO >> INSPECTION END

4.REPLACE OCCUPANT DETECTION SYSTEM SEAT SENSOR

1. Replace passenger seat cushion assembly. Refer to [SE-15, "Exploded View"](#).
2. Perform DTC confirmation procedure. Refer to [SRC-35, "DTC Logic"](#).

Is DTC detected?

- YES >> GO TO 5.
- NO >> INSPECTION END

5.REPLACE AIR BAG DIAGNOSIS SENSOR UNIT

1. Replace air bag diagnosis sensor unit. Refer to [SR-25, "Removal and Installation"](#).
2. Perform DTC confirmation procedure. Refer to [SRC-35, "DTC Logic"](#).

Is DTC detected?

- YES >> GO TO 1.
- NO >> INSPECTION END

B1023 PASSENGER AIR BAG OFF INDICATOR

< DTC/CIRCUIT DIAGNOSIS >

B1023 PASSENGER AIR BAG OFF INDICATOR

Description

INFOID:000000007772179

Illuminates passenger air bag OFF indicator when the passenger seat is empty or occupied by a child or a child-seat.

DTC Logic

INFOID:000000007772180

DTC DETECTION LOGIC

DTC	Display contents of CONSULT	DTC detecting condition	Possible cause
B1023	PASS A/B INDCTR CKT [UNIT FAIL]	Passenger air bag OFF indicator circuit is open or shorted to ground or the circuits are shorted each other	<ul style="list-style-type: none">• Disconnection of wiring harness• Malfunction in passenger air bag OFF indicator• Malfunction in air bag diagnosis sensor unit

DTC CONFIRMATION PROCEDURE

1. CHECK SELF-DIAG RESULT

With CONSULT

1. Turn ignition switch ON.
2. Perform "AIR BAG" Self Diagnostic Result with CONSULT.

Without CONSULT

1. Turn ignition switch ON.
2. Check the air bag warning lamp status. Refer to [SRC-17, "Diagnosis with Air Bag Warning Lamp"](#).

NOTE:

SRS does not enter the diagnosis mode if no malfunction is detected in the user mode.

Is malfunctioning part detected?

- YES >> Refer to [SRC-37, "Diagnosis Procedure"](#).
NO >> INSPECTION END

Diagnosis Procedure

INFOID:000000007772181

WARNING:

- Before servicing, turn ignition switch OFF, disconnect battery negative terminal, and wait 3 minutes or more. (To discharge backup capacitor.)
- Never use unspecified tester or other measuring device.

DIAGNOSTIC PROCEDURE

1. CHECK HARNESS CONNECTOR

Check the connection of harness connector.

Is the inspection result normal?

- YES >> GO TO 2.
NO >> Replace harness connectors.

2. CHECK WIRING HARNESS

Check the wiring harness externals.

Is the inspection result normal?

- YES >> GO TO 3.
NO >> Replace wiring harness.

3. CHECK PASSENGER AIR BAG OFF INDICATOR

1. Replace passenger air bag OFF indicator. Refer to [JP-12, "Exploded View"](#)
2. Perform DTC confirmation procedure. Refer to [SRC-37, "DTC Logic"](#).

Is DTC detected?

- YES >> GO TO 4.
NO >> INSPECTION END

B1023 PASSENGER AIR BAG OFF INDICATOR

< DTC/CIRCUIT DIAGNOSIS >

4. REPLACE AIR BAG DIAGNOSIS SENSOR UNIT

1. Replace air bag diagnosis sensor unit. Refer to [SR-25, "Exploded View"](#).
2. Perform DTC confirmation procedure. Refer to [SRC-37, "DTC Logic"](#).

Is DTC detected?

- YES >> GO TO 1.
NO >> INSPECTION END

B1025, B1032, B1048 OCCUPANT SYSTEM SENSOR

< DTC/CIRCUIT DIAGNOSIS >

B1025, B1032, B1048 OCCUPANT SYSTEM SENSOR

Description

INFOID:000000007772182

Occupant Detection System sensor detects occupant in passenger seat and transmits it to Occupant Detection System control unit.

DTC Logic

INFOID:000000007772183

DTC DETECTION LOGIC

DTC	Display contents of CONSULT	DTC detecting condition	Possible cause
B1025 B1032 B1048	OCS SENSOR	<ul style="list-style-type: none">Internal malfunction of Occupant Detection System control unitMalfunction of circuit between Occupant Detection System control unit and Air bag diagnosis sensor unitMalfunction of Air bag diagnosis sensor unit	<ul style="list-style-type: none">Disconnection of wiring harnessMalfunction in Occupant Detection System control unitMalfunction in air bag diagnosis sensor unit

DTC CONFIRMATION PROCEDURE

1. CHECK SELF-DIAG RESULT

With CONSULT

- Turn ignition switch ON.
- Perform "AIR BAG" Self Diagnostic Result with CONSULT.

Without CONSULT

- Turn ignition switch ON.
- Check the air bag warning lamp status. Refer to [SRC-17. "Diagnosis with Air Bag Warning Lamp"](#).

NOTE:

SRS does not enter the diagnosis mode if no malfunction is detected in the user mode.

Is malfunctioning part detected?

- YES >> Refer to [SRC-39. "Diagnosis Procedure"](#).
NO >> INSPECTION END

Diagnosis Procedure

INFOID:000000007772184

WARNING:

- Before servicing, turn ignition switch OFF, disconnect battery negative terminal, and wait 3 minutes or more. (To discharge backup capacitor.)
- Never use unspecified tester or other measuring device.

DIAGNOSTIC PROCEDURE

1. CHECK HARNESS CONNECTOR

Check the connection of harness connector.

Is the inspection result normal?

- YES >> GO TO 2.
NO >> Replace harness connectors.

2. CHECK WIRING HARNESS

Check the wiring harness externals.

Is the inspection result normal?

- YES >> GO TO 3.
NO >> Replace wiring harness.

3. REPLACE OCCUPANT DETECTION SYSTEM CONTROL UNIT

- Replace occupant detection system control unit. Refer to [SR-28. "Removal and Installation"](#).
- Perform DTC confirmation procedure. Refer to [SRC-39. "DTC Logic"](#).

B1025, B1032, B1048 OCCUPANT SYSTEM SENSOR

< DTC/CIRCUIT DIAGNOSIS >

Is DTC detected?

- YES >> GO TO 4.
- NO >> INSPECTION END

4.REPLACE OCCUPANT DETECTION SYSTEM SEAT SENSOR

1. Replace passenger seat cushion assembly. Refer to [SE-15, "Exploded View"](#).
2. Perform DTC confirmation procedure. Refer to [SRC-39, "DTC Logic"](#).

Is DTC detected?

- YES >> GO TO 5.
- NO >> INSPECTION END

5.REPLACE AIR BAG DIAGNOSIS SENSOR UNIT

1. Replace air bag diagnosis sensor unit. Refer to [SR-25, "Removal and Installation"](#).
2. Perform DTC confirmation procedure. Refer to [SRC-39, "DTC Logic"](#).

Is DTC detected?

- YES >> GO TO 1.
- NO >> INSPECTION END

B1026, B1027, B1028, B1029, B1030, B1031 DIAGNOSIS SENSOR UNIT

< DTC/CIRCUIT DIAGNOSIS >

B1026, B1027, B1028, B1029, B1030, B1031 DIAGNOSIS SENSOR UNIT

Description

INFOID:000000007772185

- It detects a shock that is more than the specified level and monitors whether the driver and passenger air bags, side air bag, curtain air bag, and pre-tensioner seat belts operate normally.
- It contains the "G" sensors for both frontal and side collisions and spare battery function in case of main battery damage in collision.

DTC Logic

INFOID:000000007772186

DTC DETECTION LOGIC

DTC	Display contents of CONSULT	DTC detecting condition	Possible cause
B1026 B1027 B1028 B1029 B1030 B1031	CONTROL UNIT	Air bag diagnosis sensor unit is malfunctioning	Malfunction in air bag diagnosis sensor unit

DTC CONFIRMATION PROCEDURE

1. CHECK SELF-DIAG RESULT

With CONSULT

1. Turn ignition switch ON.
2. Perform "AIR BAG" Self Diagnostic Result.

Without CONSULT

1. Turn ignition switch ON.
2. Check the air bag warning lamp status. Refer to [SRC-17, "Diagnosis with Air Bag Warning Lamp"](#).

NOTE:

SRS does not enter the diagnosis mode if no malfunction is detected in the user mode.

Is malfunctioning part detected?

- YES >> Refer to [SRC-41, "Diagnosis Procedure"](#).
NO >> INSPECTION END

Diagnosis Procedure

INFOID:000000007772187

WARNING:

- Before servicing, turn ignition switch OFF, disconnect battery negative terminal, and wait 3 minutes or more. (To discharge backup capacitor.)
- Never use unspecified tester or other measuring device.

1. CHECK HARNESS CONNECTOR

Check the harness connector.

Is the inspection result normal?

- YES >> GO TO 2.
NO >> Replace harness connectors.

2. CHECK WIRING HARNESS

Check the wiring harness externals.

Is the inspection result normal?

- YES >> GO TO 3.
NO >> Replace wiring harness.

3. REPLACE AIR BAG DIAGNOSIS SENSOR UNIT

1. Replace air bag diagnosis sensor unit. Refer to [SR-25, "Exploded View"](#).
2. Perform DTC confirmation procedure. Refer to [SRC-41, "DTC Logic"](#).

B1026, B1027, B1028, B1029, B1030, B1031 DIAGNOSIS SENSOR UNIT

< DTC/CIRCUIT DIAGNOSIS >

Is DTC detected?

YES >> GO TO 1.

NO >> INSPECTION END

B1033, B1034 CRASH ZONE SENSOR

< DTC/CIRCUIT DIAGNOSIS >

B1033, B1034 CRASH ZONE SENSOR

Description

INFOID:000000007772188

Crash zone sensor is a G sensor that outputs voltage signal during deceleration at the time of a vehicle frontal collision that is more than the specified limit is detected.

DTC Logic

INFOID:000000007772189

DTC DETECTION LOGIC

DTC	Display contents of CONSULT	DTC detecting condition	Possible cause
B1033 B1034	CRASH ZONE SENSOR [UNIT FAIL]	Crash zone sensor is malfunctioning	<ul style="list-style-type: none">• Disconnection of wiring harness• Malfunction in crash zone sensor• Malfunction in air bag diagnosis sensor unit

DTC CONFIRMATION PROCEDURE

1.CHECK SELF-DIAG RESULT

With CONSULT

1. Turn ignition switch ON.
2. Perform "AIR BAG" Self Diagnostic Result.

Without CONSULT

1. Turn ignition switch ON.
2. Check the air bag warning lamp status. Refer to [SRC-17, "Diagnosis with Air Bag Warning Lamp"](#).

NOTE:

SRS does not enter the diagnosis mode if no malfunction is detected in the user mode.

Is malfunctioning part detected?

- YES >> Refer to [SRC-43, "Diagnosis Procedure"](#).
NO >> INSPECTION END

Diagnosis Procedure

INFOID:000000007772190

WARNING:

- Before servicing, turn ignition switch OFF, disconnect battery negative terminal, and wait 3 minutes or more. (To discharge backup capacitor.)
- Never use unspecified tester or other measuring device.

1.CHECK HARNESS CONNECTOR

Check the harness connector.

Is the inspection result normal?

- YES >> GO TO 2.
NO >> Replace harness connectors.

2.CHECK WIRING HARNESS

Check the wiring harness externals.

Is the inspection result normal?

- YES >> GO TO 3.
NO >> Replace wiring harness.

3.REPLACE CRASH ZONE SENSOR

1. Replace crash zone sensor. Refer to [SR-21, "Exploded View"](#).
2. Perform DTC confirmation procedure. Refer to [SRC-43, "DTC Logic"](#).

Is DTC detected?

- YES >> GO TO 4.
NO >> INSPECTION END

4.REPLACE AIR BAG DIAGNOSIS SENSOR UNIT

A
B
C
D
E
F
G
I
J
K
L
M
N
O
P

SRC

B1033, B1034 CRASH ZONE SENSOR

< DTC/CIRCUIT DIAGNOSIS >

1. Replace air bag diagnosis sensor unit. Refer to [SR-25, "Exploded View"](#).
2. Perform DTC confirmation procedure. Refer to [SRC-43, "DTC Logic"](#).

Is DTC detected?

- YES >> GO TO 1.
NO >> INSPECTION END

B1035 CRASH ZONE SENSOR

< DTC/CIRCUIT DIAGNOSIS >

B1035 CRASH ZONE SENSOR

Description

INFOID:000000007772191

Crash zone sensor is a G sensor that outputs voltage signal during deceleration at the time of a vehicle frontal collision that is more than the specified limit is detected.

DTC Logic

INFOID:000000007772192

DTC DETECTION LOGIC

DTC	Display contents of CONSULT	DTC detecting condition	Possible cause
B1035	CRASH ZONE SENSOR [COMM FAIL]	Crash zone sensor is malfunctioning	<ul style="list-style-type: none">• Disconnection of wiring harness• Malfunction in crash zone sensor• Malfunction in air bag diagnosis sensor unit

DTC CONFIRMATION PROCEDURE

1.CHECK SELF-DIAG RESULT

With CONSULT

1. Turn ignition switch ON.
2. Perform "AIR BAG" Self Diagnostic Result.

Without CONSULT

1. Turn ignition switch ON.
2. Check the air bag warning lamp status. Refer to [SRC-17, "Diagnosis with Air Bag Warning Lamp"](#).

NOTE:

SRS does not enter the diagnosis mode if no malfunction is detected in the user mode.

Is malfunctioning part detected?

- YES >> Refer to [SRC-45, "Diagnosis Procedure"](#).
NO >> INSPECTION END

Diagnosis Procedure

INFOID:000000007772193

WARNING:

- Before servicing, turn ignition switch OFF, disconnect battery negative terminal, and wait 3 minutes or more. (To discharge backup capacitor.)
- Never use unspecified tester or other measuring device.

1.CHECK HARNESS CONNECTOR

Check the harness connector.

Is the inspection result normal?

- YES >> GO TO 2.
NO >> Replace harness connectors.

2.CHECK WIRING HARNESS

Check the wiring harness externals.

Is the inspection result normal?

- YES >> GO TO 3.
NO >> Replace wiring harness.

3.REPLACE CRASH ZONE SENSOR

1. Replace crash zone sensor. Refer to [SR-21, "Exploded View"](#).
2. Perform DTC confirmation procedure. Refer to [SRC-45, "DTC Logic"](#).

Is DTC detected?

- YES >> GO TO 4.
NO >> INSPECTION END

4.REPLACE AIR BAG DIAGNOSIS SENSOR UNIT

B1035 CRASH ZONE SENSOR

< DTC/CIRCUIT DIAGNOSIS >

1. Replace air bag diagnosis sensor unit. Refer to [SR-25, "Exploded View"](#).
2. Perform DTC confirmation procedure. Refer to [SRC-45, "DTC Logic"](#).

Is DTC detected?

- YES >> GO TO 1.
NO >> INSPECTION END

B1036 CRASH ZONE SENSOR

< DTC/CIRCUIT DIAGNOSIS >

B1036 CRASH ZONE SENSOR

Description

INFOID:000000007772194

Crash zone sensor is a G sensor that outputs voltage signal during deceleration at the time of a vehicle frontal collision that is more than the specified limit is detected.

DTC Logic

INFOID:000000007772195

DTC DETECTION LOGIC

DTC	Display contents of CONSULT	DTC detecting condition	Possible cause
B1036	CRASH ZONE SENSOR [UNMATCH]	Crash zone sensor is out of the specified specification	Diagnosis sensor unit or crash zone sensor is different from the part specified

DTC CONFIRMATION PROCEDURE

1.CHECK SELF-DIAG RESULT

With CONSULT

1. Turn ignition switch ON.
2. Perform "AIR BAG" Self Diagnostic Result.

Without CONSULT

1. Turn ignition switch ON.
2. Check the air bag warning lamp status. Refer to [SRC-17, "Diagnosis with Air Bag Warning Lamp"](#).

NOTE:

SRS does not enter the diagnosis mode if no malfunction is detected in the user mode.

Is malfunctioning part detected?

- YES >> Refer to [SRC-47, "Diagnosis Procedure"](#).
NO >> INSPECTION END

Diagnosis Procedure

INFOID:000000007772196

WARNING:

- Before servicing, turn ignition switch OFF, disconnect battery negative terminal, and wait 3 minutes or more. (To discharge backup capacitor.)
- Never use unspecified tester or other measuring device.

1.CHECK HARNESS CONNECTOR

Check the harness connector.

Is the inspection result normal?

- YES >> GO TO 2.
NO >> Replace harness connectors.

2.CHECK WIRING HARNESS

Check the wiring harness externals.

Is the inspection result normal?

- YES >> GO TO 3.
NO >> Replace wiring harness.

3.REPLACE CRASH ZONE SENSOR

1. Replace crash zone sensor. Refer to [SR-21, "Exploded View"](#).
2. Perform DTC confirmation procedure. Refer to [SRC-47, "DTC Logic"](#).

Is DTC detected?

- YES >> GO TO 4.
NO >> INSPECTION END

4.REPLACE AIR BAG DIAGNOSIS SENSOR UNIT

A
B
C
D
E
F
G
I
J
K
L
M
N
O
P

SRC

B1036 CRASH ZONE SENSOR

< DTC/CIRCUIT DIAGNOSIS >

1. Replace air bag diagnosis sensor unit. Refer to [SR-25, "Exploded View"](#).
2. Perform DTC confirmation procedure. Refer to [SRC-47, "DTC Logic"](#).

Is DTC detected?

- YES >> GO TO 1.
NO >> INSPECTION END

B1037, B1039, B1041 CRASH ZONE SENSOR

< DTC/CIRCUIT DIAGNOSIS >

B1037, B1039, B1041 CRASH ZONE SENSOR

Description

INFOID:000000007772197

Crash zone sensor is a G sensor that outputs voltage signal during deceleration at the time of a vehicle frontal collision that is more than the specified limit is detected.

DTC Logic

INFOID:000000007772198

DTC DETECTION LOGIC

DTC	Display contents of CONSULT	DTC detecting condition	Possible cause
B1037 B1039 B1041	CRASH ZONE SENSOR1	Crash zone sensor is malfunctioning	<ul style="list-style-type: none">• Disconnection of wiring harness• Malfunction in crash zone sensor• Malfunction in air bag diagnosis sensor unit

DTC CONFIRMATION PROCEDURE

1. CHECK SELF-DIAG RESULT

With CONSULT

1. Turn ignition switch ON.
2. Perform "AIR BAG" Self Diagnostic Result.

Without CONSULT

1. Turn ignition switch ON.
2. Check the air bag warning lamp status. Refer to [SRC-17, "Diagnosis with Air Bag Warning Lamp"](#).

NOTE:

SRS does not enter the diagnosis mode if no malfunction is detected in the user mode.

Is malfunctioning part detected?

- YES >> Refer to [SRC-49, "Diagnosis Procedure"](#).
NO >> INSPECTION END

Diagnosis Procedure

INFOID:000000007772199

WARNING:

- Before servicing, turn ignition switch OFF, disconnect battery negative terminal, and wait 3 minutes or more. (To discharge backup capacitor.)
- Never use unspecified tester or other measuring device.

1. CHECK HARNESS CONNECTOR

Check the harness connector.

Is the inspection result normal?

- YES >> GO TO 2.
NO >> Replace harness connectors.

2. CHECK WIRING HARNESS

Check the wiring harness externals.

Is the inspection result normal?

- YES >> GO TO 3.
NO >> Replace wiring harness.

3. REPLACE CRASH ZONE SENSOR

1. Replace crash zone sensor. Refer to [SR-21, "Exploded View"](#).
2. Perform DTC confirmation procedure. Refer to [SRC-49, "DTC Logic"](#).

Is DTC detected?

- YES >> GO TO 4.
NO >> INSPECTION END

4. REPLACE AIR BAG DIAGNOSIS SENSOR UNIT

B1037, B1039, B1041 CRASH ZONE SENSOR

< DTC/CIRCUIT DIAGNOSIS >

1. Replace air bag diagnosis sensor unit. Refer to [SR-25, "Exploded View"](#).
2. Perform DTC confirmation procedure. Refer to [SRC-49, "DTC Logic"](#).

Is DTC detected?

- YES >> GO TO 1.
NO >> INSPECTION END

B1042, B1043, B1044, B1045, B1046, B1047 DIAGNOSIS SENSOR UNIT

< DTC/CIRCUIT DIAGNOSIS >

B1042, B1043, B1044, B1045, B1046, B1047 DIAGNOSIS SENSOR UNIT

Description

INFOID:000000007772200

- It detects a shock that is more than the specified level and monitors whether the driver and passenger air bags, side air bag, curtain air bag, and pre-tensioner seat belts operate normally.
- It contains the "G" sensors for both frontal and side collisions and spare battery function in case of main battery damage in collision.

DTC Logic

INFOID:000000007772201

DTC DETECTION LOGIC

DTC	Display contents of CONSULT	DTC detecting condition	Possible cause
B1042 B1043 B1044 B1045 B1046 B1047	CONTROL UNIT	Air bag diagnosis sensor unit is malfunctioning	Malfunction in air bag diagnosis sensor unit

DTC CONFIRMATION PROCEDURE

1. CHECK SELF-DIAG RESULT

With CONSULT

1. Turn ignition switch ON.
2. Perform "AIR BAG" Self Diagnostic Result.

Without CONSULT

1. Turn ignition switch ON.
2. Check the air bag warning lamp status. Refer to [SRC-17, "Diagnosis with Air Bag Warning Lamp"](#).

NOTE:

SRS does not enter the diagnosis mode if no malfunction is detected in the user mode.

Is malfunctioning part detected?

- YES >> Refer to [SRC-51, "Diagnosis Procedure"](#).
NO >> INSPECTION END

Diagnosis Procedure

INFOID:000000007772202

WARNING:

- Before servicing, turn ignition switch OFF, disconnect battery negative terminal, and wait 3 minutes or more. (To discharge backup capacitor.)
- Never use unspecified tester or other measuring device.

1. CHECK HARNESS CONNECTOR

Check the harness connector.

Is the inspection result normal?

- YES >> GO TO 2.
NO >> Replace harness connectors.

2. CHECK WIRING HARNESS

Check the wiring harness externals.

Is the inspection result normal?

- YES >> GO TO 3.
NO >> Replace wiring harness.

3. REPLACE AIR BAG DIAGNOSIS SENSOR UNIT

1. Replace air bag diagnosis sensor unit. Refer to [SR-25, "Exploded View"](#).
2. Perform DTC confirmation procedure. Refer to [SRC-51, "DTC Logic"](#).

B1042, B1043, B1044, B1045, B1046, B1047 DIAGNOSIS SENSOR UNIT

< DTC/CIRCUIT DIAGNOSIS >

Is DTC detected?

YES >> GO TO 1.

NO >> INSPECTION END

B1049, B1054 DRIVER AIR BAG MODULE

< DTC/CIRCUIT DIAGNOSIS >

B1049, B1054 DRIVER AIR BAG MODULE

Description

INFOID:000000007772203

In case of frontal collision where acceleration is more than the specified level, the ignition materials are ignited by electric ignition system. The system burns the gas generating materials resulting in a chemical reaction. This generates hot gases that flow into the air bag through a filter and expand the bag.

DTC Logic

INFOID:000000007772204

DTC DETECTION LOGIC

DTC	Display contents of CONSULT	DTC detecting condition	Possible cause
B1049 B1054	DRIVER AIRBAG MODULE [OPEN]	Driver air bag module circuit is open (including the spiral cable)	<ul style="list-style-type: none">• Disconnection of wiring harness and open• Malfunction in driver air bag module• Malfunction in spiral cable• Malfunction in air bag diagnosis sensor unit

DTC CONFIRMATION PROCEDURE

1. CHECK SELF-DIAG RESULT

With CONSULT

1. Turn ignition switch ON.
2. Perform "AIR BAG" Self Diagnostic Result.

Without CONSULT

1. Turn ignition switch ON.
2. Check the air bag warning lamp status. Refer to [SRC-17, "Diagnosis with Air Bag Warning Lamp"](#).

NOTE:

SRS does not enter the diagnosis mode if no malfunction is detected in the user mode.

Is malfunctioning part detected?

- YES >> Refer to [SRC-53, "Diagnosis Procedure"](#).
NO >> INSPECTION END

Diagnosis Procedure

INFOID:000000007772205

WARNING:

- Before servicing, turn ignition switch OFF, disconnect battery negative terminal, and wait 3 minutes or more. (To discharge backup capacitor.)
- Never use unspecified tester or other measuring device.

1. CHECK HARNESS CONNECTOR

Check the harness connector.

Is the inspection result normal?

- YES >> GO TO 2.
NO >> Replace harness connector.

2. CHECK WIRING HARNESS

Check the wiring harness externals.

Is the inspection result normal?

- YES >> GO TO 3.
NO >> Replace wiring harness.

3. CHECK SPIRAL CABLE CIRCUIT

1. Turn ignition switch OFF.
2. Disconnect driver air bag module connector and combination switch (spiral cable) connector.
3. Check continuity between driver air bag module harness connector and combination switch (spiral cable) harness connector.

B1049, B1054 DRIVER AIR BAG MODULE

< DTC/CIRCUIT DIAGNOSIS >

Driver air bag module		Combination switch (spiral cable)		Continuity
Connector	Terminal	Connector	Terminal	
M350	10	M32	28	Existed
	11		30	
M351	12		29	
	9		30	

4. Check continuity between driver air bag module harness connector and ground.

Driver side air bag module		Ground	Continuity
Connector	Terminal		
M350	10	Ground	Not existed
	11		
M351	12		
	9		

Is the inspection result normal?

YES >> GO TO 4.

NO >> Replace combination switch (spiral cable). Refer to [SR-10. "Exploded View"](#).

4. REPLACE AIR BAG DIAGNOSIS SENSOR UNIT

1. Replace air bag diagnosis sensor unit. Refer to [SR-25. "Exploded View"](#)
2. Perform DTC confirmation procedure. Refer to [SRC-53. "DTC Logic"](#).

Is DTC detected?

YES >> GO TO 5.

NO >> INSPECTION END

5. REPLACE DRIVER AIR BAG MODULE

1. Replace driver air bag module. Refer to [SR-10. "Exploded View"](#)
2. Perform DTC confirmation procedure. Refer to [SRC-53. "DTC Logic"](#).

Is DTC detected?

YES >> GO TO 1.

NO >> INSPECTION END

B1050, B1055 DRIVER AIR BAG MODULE

< DTC/CIRCUIT DIAGNOSIS >

B1050, B1055 DRIVER AIR BAG MODULE

Description

INFOID:000000007772206

In case of frontal collision where acceleration is more than the specified level, the ignition materials are ignited by electric ignition system. The system burns the gas generating materials resulting in a chemical reaction. This generates hot gases that flow into the air bag through a filter and expand the bag.

DTC Logic

INFOID:000000007772207

DTC DETECTION LOGIC

DTC	Display contents of CONSULT	DTC detecting condition	Possible cause
B1050 B1055	DRIVER AIRBAG MODULE [VB-SHORT]	Driver air bag module circuit is shorted to power supply circuit (including the spiral cable)	<ul style="list-style-type: none">• Disconnection of wiring harness and short• Malfunction in driver air bag module• Malfunction in spiral cable• Malfunction in air bag diagnosis sensor unit

DTC CONFIRMATION PROCEDURE

1.CHECK SELF-DIAG RESULT

With CONSULT

1. Turn ignition switch ON.
2. Perform "AIR BAG" Self Diagnostic Result.

Without CONSULT

1. Turn ignition switch ON.
2. Check the air bag warning lamp status. Refer to [SRC-17, "Diagnosis with Air Bag Warning Lamp"](#).

NOTE:

SRS does not enter the diagnosis mode if no malfunction is detected in the user mode.

Is malfunctioning part detected?

- YES >> Refer to [SRC-55, "Diagnosis Procedure"](#).
NO >> INSPECTION END

Diagnosis Procedure

INFOID:000000007772208

WARNING:

- Before servicing, turn ignition switch OFF, disconnect battery negative terminal, and wait 3 minutes or more. (To discharge backup capacitor.)
- Never use unspecified tester or other measuring device.

1.CHECK HARNESS CONNECTOR

Check the harness connector.

Is the inspection result normal?

- YES >> GO TO 2.
NO >> Replace harness connector.

2.CHECK WIRING HARNESS

Check the wiring harness externals.

Is the inspection result normal?

- YES >> GO TO 3.
NO >> Replace wiring harness.

3.CHECK SPIRAL CABLE CIRCUIT

1. Turn ignition switch OFF.
2. Disconnect driver air bag module connector and combination switch (spiral cable) connector.
3. Check continuity between driver air bag module harness connector and combination switch (spiral cable) harness connector.

B1050, B1055 DRIVER AIR BAG MODULE

< DTC/CIRCUIT DIAGNOSIS >

Driver air bag module		Combination switch (spiral cable)		Continuity
Connector	Terminal	Connector	Terminal	
M350	10	M32	28	Existed
	11		30	
M351	12		29	
	9		30	

4. Check continuity between driver air bag module harness connector and ground.

Driver side air bag module		Ground	Continuity
Connector	Terminal		
M350	10	Ground	Not existed
	11		
M351	12		
	9		

Is the inspection result normal?

YES >> GO TO 4.

NO >> Replace combination switch (spiral cable). Refer to [SR-10. "Exploded View"](#).

4. REPLACE AIR BAG DIAGNOSIS SENSOR UNIT

1. Replace air bag diagnosis sensor unit. Refer to [SR-25. "Exploded View"](#)
2. Perform DTC confirmation procedure. Refer to [SRC-55. "DTC Logic"](#).

Is DTC detected?

YES >> GO TO 5.

NO >> INSPECTION END

5. REPLACE DRIVER AIR BAG MODULE

1. Replace driver air bag module. Refer to [SR-10. "Exploded View"](#)
2. Perform DTC confirmation procedure. Refer to [SRC-55. "DTC Logic"](#).

Is DTC detected?

YES >> GO TO 1.

NO >> INSPECTION END

B1051, B1056 DRIVER AIR BAG MODULE

< DTC/CIRCUIT DIAGNOSIS >

B1051, B1056 DRIVER AIR BAG MODULE

Description

INFOID:000000007772209

In case of frontal collision where acceleration is more than the specified level, the ignition materials are ignited by electric ignition system. The system burns the gas generating materials resulting in a chemical reaction. This generates hot gases that flow into the air bag through a filter and expand the bag.

DTC Logic

INFOID:000000007772210

DTC DETECTION LOGIC

DTC	Display contents of CONSULT	DTC detecting condition	Possible cause
B1051 B1056	DRIVER AIRBAG MODULE [GND-SHORT]	Driver air bag module circuit is shorted to ground (including the spiral cable)	<ul style="list-style-type: none">• Disconnection of wiring harness and short• Malfunction in driver air bag module• Malfunction in spiral cable• Malfunction in air bag diagnosis sensor unit

DTC CONFIRMATION PROCEDURE

1. CHECK SELF-DIAG RESULT

With CONSULT

1. Turn ignition switch ON.
2. Perform "AIR BAG" Self Diagnostic Result.

Without CONSULT

1. Turn ignition switch ON.
2. Check the air bag warning lamp status. Refer to [SRC-17, "Diagnosis with Air Bag Warning Lamp"](#).

NOTE:

SRS does not enter the diagnosis mode if no malfunction is detected in the user mode.

Is malfunctioning part detected?

- YES >> Refer to [SRC-57, "Diagnosis Procedure"](#).
NO >> INSPECTION END

Diagnosis Procedure

INFOID:000000007772211

WARNING:

- Before servicing, turn ignition switch OFF, disconnect battery negative terminal, and wait 3 minutes or more. (To discharge backup capacitor.)
- Never use unspecified tester or other measuring device.

1. CHECK HARNESS CONNECTOR

Check the harness connector.

Is the inspection result normal?

- YES >> GO TO 2.
NO >> Replace harness connector.

2. CHECK WIRING HARNESS

Check the wiring harness externals.

Is the inspection result normal?

- YES >> GO TO 3.
NO >> Replace wiring harness.

3. CHECK SPIRAL CABLE CIRCUIT

1. Turn ignition switch OFF.
2. Disconnect driver air bag module connector and combination switch (spiral cable) connector.
3. Check continuity between driver air bag module harness connector and combination switch (spiral cable) harness connector.

B1051, B1056 DRIVER AIR BAG MODULE

< DTC/CIRCUIT DIAGNOSIS >

Driver air bag module		Combination switch (spiral cable)		Continuity
Connector	Terminal	Connector	Terminal	
M350	10	M32	28	Existed
	11		30	
M351	12		29	
	9		30	

4. Check continuity between driver air bag module harness connector and ground.

Driver side air bag module		Ground	Continuity
Connector	Terminal		
M350	10	Ground	Not existed
	11		
M351	12		
	9		

Is the inspection result normal?

YES >> GO TO 4.

NO >> Replace combination switch (spiral cable). Refer to [SR-10, "Exploded View"](#).

4. REPLACE AIR BAG DIAGNOSIS SENSOR UNIT

1. Replace air bag diagnosis sensor unit. Refer to [SR-25, "Exploded View"](#)
2. Perform DTC confirmation procedure. Refer to [SRC-57, "DTC Logic"](#).

Is DTC detected?

YES >> GO TO 5.

NO >> INSPECTION END

5. REPLACE DRIVER AIR BAG MODULE

1. Replace driver air bag module. Refer to [SR-10, "Exploded View"](#)
2. Perform DTC confirmation procedure. Refer to [SRC-57, "DTC Logic"](#).

Is DTC detected?

YES >> GO TO 1.

NO >> INSPECTION END

B1052, B1057 DRIVER AIR BAG MODULE

< DTC/CIRCUIT DIAGNOSIS >

B1052, B1057 DRIVER AIR BAG MODULE

Description

INFOID:000000007772212

In case of frontal collision where acceleration is more than the specified level, the ignition materials are ignited by electric ignition system. The system burns the gas generating materials resulting in a chemical reaction. This generates hot gases that flow into the air bag through a filter and expand the bag.

DTC Logic

INFOID:000000007772213

DTC DETECTION LOGIC

DTC	Display contents of CONSULT	DTC detecting condition	Possible cause
B1052 B1057	DRIVER AIRBAG MODULE [SHORT]	Driver air bag module circuit are shorted to each other (including the spiral cable)	<ul style="list-style-type: none">• Disconnection of wiring harness and short• Malfunction in driver air bag module• Malfunction in spiral cable• Malfunction in air bag diagnosis sensor unit

DTC CONFIRMATION PROCEDURE

1. CHECK SELF-DIAG RESULT

With CONSULT

1. Turn ignition switch ON.
2. Perform "AIR BAG" Self Diagnostic Result.

Without CONSULT

1. Turn ignition switch ON.
2. Check the air bag warning lamp status. Refer to [SRC-17, "Diagnosis with Air Bag Warning Lamp"](#).

NOTE:

SRS does not enter the diagnosis mode if no malfunction is detected in the user mode.

Is malfunctioning part detected?

- YES >> Refer to [SRC-59, "Diagnosis Procedure"](#).
NO >> INSPECTION END

Diagnosis Procedure

INFOID:000000007772214

WARNING:

- Before servicing, turn ignition switch OFF, disconnect battery negative terminal, and wait 3 minutes or more. (To discharge backup capacitor.)
- Never use unspecified tester or other measuring device.

1. CHECK HARNESS CONNECTOR

Check the harness connector.

Is the inspection result normal?

- YES >> GO TO 2.
NO >> Replace harness connector.

2. CHECK WIRING HARNESS

Check the wiring harness externals.

Is the inspection result normal?

- YES >> GO TO 3.
NO >> Replace wiring harness.

3. CHECK SPIRAL CABLE CIRCUIT

1. Turn ignition switch OFF.
2. Disconnect driver air bag module connector and combination switch (spiral cable) connector.
3. Check continuity between driver air bag module harness connector and combination switch (spiral cable) harness connector.

B1052, B1057 DRIVER AIR BAG MODULE

< DTC/CIRCUIT DIAGNOSIS >

Driver air bag module		Combination switch (spiral cable)		Continuity
Connector	Terminal	Connector	Terminal	
M350	10	M32	28	Existed
	11		30	
M351	12		29	
	9		30	

4. Check continuity between driver air bag module harness connector and ground.

Driver side air bag module		Ground	Continuity
Connector	Terminal		
M350	10	Ground	Not existed
	11		
M351	12		
	9		

Is the inspection result normal?

YES >> GO TO 4.

NO >> Replace combination switch (spiral cable). Refer to [SR-10, "Exploded View"](#).

4. REPLACE AIR BAG DIAGNOSIS SENSOR UNIT

1. Replace air bag diagnosis sensor unit. Refer to [SR-25, "Exploded View"](#)
2. Perform DTC confirmation procedure. Refer to [SRC-59, "DTC Logic"](#).

Is DTC detected?

YES >> GO TO 5.

NO >> INSPECTION END

5. REPLACE DRIVER AIR BAG MODULE

1. Replace driver air bag module. Refer to [SR-10, "Exploded View"](#)
2. Perform DTC confirmation procedure. Refer to [SRC-59, "DTC Logic"](#).

Is DTC detected?

YES >> GO TO 1.

NO >> INSPECTION END

B1058, B1059, B1060, B1061, B1062, B1063 DIAGNOSIS SENSOR UNIT

< DTC/CIRCUIT DIAGNOSIS >

B1058, B1059, B1060, B1061, B1062, B1063 DIAGNOSIS SENSOR UNIT

Description

INFOID:000000007772215

- It detects a shock that is more than the specified level and monitors whether the driver and passenger air bags, side air bag, curtain air bag, and pre-tensioner seat belts operate normally.
- It contains the "G" sensors for both frontal and side collisions and spare battery function in case of main battery damage in collision.

DTC Logic

INFOID:000000007772216

DTC DETECTION LOGIC

DTC	Display contents of CONSULT	DTC detecting condition	Possible cause
B1058 B1059 B1060 B1061 B1062 B1063	CONTROL UNIT	Air bag diagnosis sensor unit is malfunctioning	Malfunction in air bag diagnosis sensor unit

DTC CONFIRMATION PROCEDURE

1. CHECK SELF-DIAG RESULT

With CONSULT

1. Turn ignition switch ON.
2. Perform "AIR BAG" Self Diagnostic Result.

Without CONSULT

1. Turn ignition switch ON.
2. Check the air bag warning lamp status. Refer to [SRC-17, "Diagnosis with Air Bag Warning Lamp"](#).

NOTE:

SRS does not enter the diagnosis mode if no malfunction is detected in the user mode.

Is malfunctioning part detected?

- YES >> Refer to [SRC-61, "Diagnosis Procedure"](#).
NO >> INSPECTION END

Diagnosis Procedure

INFOID:000000007772217

WARNING:

- Before servicing, turn ignition switch OFF, disconnect battery negative terminal, and wait 3 minutes or more. (To discharge backup capacitor.)
- Never use unspecified tester or other measuring device.

1. CHECK HARNESS CONNECTOR

Check the harness connector.

Is the inspection result normal?

- YES >> GO TO 2.
NO >> Replace harness connectors.

2. CHECK WIRING HARNESS

Check the wiring harness externals.

Is the inspection result normal?

- YES >> GO TO 3.
NO >> Replace wiring harness.

3. REPLACE AIR BAG DIAGNOSIS SENSOR UNIT

1. Replace air bag diagnosis sensor unit. Refer to [SR-25, "Exploded View"](#).
2. Perform DTC confirmation procedure. Refer to [SRC-61, "DTC Logic"](#).

B1058, B1059, B1060, B1061, B1062, B1063 DIAGNOSIS SENSOR UNIT

< DTC/CIRCUIT DIAGNOSIS >

Is DTC detected?

YES >> GO TO 1.

NO >> INSPECTION END

B1065, B1070 PASSENGER AIR BAG MODULE

< DTC/CIRCUIT DIAGNOSIS >

B1065, B1070 PASSENGER AIR BAG MODULE

Description

INFOID:000000007772218

In case of frontal collision where acceleration is more than the specified level, the ignition materials are ignited by electric ignition system. The system burns the gas generating materials resulting in a chemical reaction. This generates hot gases that flow into the air bag through a filter and expand the bag.

DTC Logic

INFOID:000000007772219

DTC DETECTION LOGIC

DTC	Display contents of CONSULT	DTC detecting condition	Possible cause
B1065 B1070	ASSIST A/B MODULE [OPEN]	Passenger air bag module circuit is open	<ul style="list-style-type: none">Disconnection of wiring harness and openMalfunction in passenger air bag moduleMalfunction in air bag diagnosis sensor unit

DTC CONFIRMATION PROCEDURE

1. CHECK SELF-DIAG RESULT

With CONSULT

- Turn ignition switch ON.
- Perform "AIR BAG" Self Diagnostic Result.

Without CONSULT

- Turn ignition switch ON.
- Check the air bag warning lamp status. Refer to [SRC-17, "Diagnosis with Air Bag Warning Lamp"](#).

NOTE:

SRS does not enter the diagnosis mode if no malfunction is detected in the user mode.

Is malfunctioning part detected?

- YES >> Refer to [SRC-63, "Diagnosis Procedure"](#).
NO >> INSPECTION END

Diagnosis Procedure

INFOID:000000007772220

WARNING:

- Before servicing, turn ignition switch OFF, disconnect battery negative terminal, and wait at least 3 minutes or more. (To discharge backup capacitor.)
- Never use unspecified tester or other measuring device.

1. CHECK HARNESS CONNECTOR

Check the harness connector.

Is the inspection result normal?

- YES >> GO TO 2.
NO >> Replace harness connector.

2. CHECK WIRING HARNESS

Check the wiring harness externals.

Is the inspection result normal?

- YES >> GO TO 3.
NO >> Replace wiring harness.

3. REPLACE AIR BAG DIAGNOSIS SENSOR UNIT

- Replace air bag diagnosis sensor unit. Refer to [SR-25, "Exploded View"](#).
- Perform DTC confirmation procedure. Refer to [SRC-63, "DTC Logic"](#).

Is DTC detected?

- YES >> GO TO 4.
NO >> INSPECTION END

B1065, B1070 PASSENGER AIR BAG MODULE

< DTC/CIRCUIT DIAGNOSIS >

4. REPLACE PASSENGER AIR BAG MODULE

1. Replace passenger air bag module. Refer to [SR-16, "Exploded View"](#)
2. Perform DTC confirmation procedure. Refer to [SRC-63, "DTC Logic"](#).

Is DTC detected?

- YES >> GO TO 1.
NO >> INSPECTION END

B1066, B1071 PASSENGER AIR BAG MODULE

< DTC/CIRCUIT DIAGNOSIS >

B1066, B1071 PASSENGER AIR BAG MODULE

Description

INFOID:000000007772221

In case of frontal collision where acceleration is more than the specified level, the ignition materials are ignited by electric ignition system. The system burns the gas generating materials resulting in a chemical reaction. This generates hot gases that flow into the air bag through a filter and expand the bag.

DTC Logic

INFOID:000000007772222

DTC DETECTION LOGIC

DTC	Display contents of CONSULT	DTC detecting condition	Possible cause
B1066 B1071	ASSIST A/B MODULE [VB-SHORT]	Passenger air bag module circuit is shorted to power supply circuit	<ul style="list-style-type: none">• Disconnection of wiring harness and short• Malfunction in passenger air bag module• Malfunction in air bag diagnosis sensor unit

DTC CONFIRMATION PROCEDURE

1. CHECK SELF-DIAG RESULT

With CONSULT

1. Turn ignition switch ON.
2. Perform "AIR BAG" Self Diagnostic Result.

Without CONSULT

1. Turn ignition switch ON.
2. Check the air bag warning lamp status. Refer to [SRC-17, "Diagnosis with Air Bag Warning Lamp"](#).

NOTE:

SRS does not enter the diagnosis mode if no malfunction is detected in the user mode.

Is malfunctioning part detected?

- YES >> Refer to [SRC-65, "Diagnosis Procedure"](#).
NO >> INSPECTION END

Diagnosis Procedure

INFOID:000000007772223

WARNING:

- Before servicing, turn ignition switch OFF, disconnect battery negative terminal, and wait at least 3 minutes or more. (To discharge backup capacitor.)
- Never use unspecified tester or other measuring device.

1. CHECK HARNESS CONNECTOR

Check the harness connector.

Is the inspection result normal?

- YES >> GO TO 2.
NO >> Replace harness connector.

2. CHECK WIRING HARNESS

Check the wiring harness externals.

Is the inspection result normal?

- YES >> GO TO 3.
NO >> Replace wiring harness.

3. REPLACE AIR BAG DIAGNOSIS SENSOR UNIT

1. Replace air bag diagnosis sensor unit. Refer to [SR-25, "Exploded View"](#).
2. Perform DTC confirmation procedure. Refer to [SRC-65, "DTC Logic"](#).

Is DTC detected?

- YES >> GO TO 4.
NO >> INSPECTION END

B1066, B1071 PASSENGER AIR BAG MODULE

< DTC/CIRCUIT DIAGNOSIS >

4. REPLACE PASSENGER AIR BAG MODULE

1. Replace passenger air bag module. Refer to [SR-16, "Exploded View"](#).
2. Perform DTC confirmation procedure. Refer to [SRC-65, "DTC Logic"](#).

Is DTC detected?

- YES >> GO TO 1.
NO >> INSPECTION END

B1067, B1072 PASSENGER AIR BAG MODULE

< DTC/CIRCUIT DIAGNOSIS >

B1067, B1072 PASSENGER AIR BAG MODULE

Description

INFOID:000000007772224

In case of frontal collision where acceleration is more than the specified level, the ignition materials are ignited by electric ignition system. The system burns the gas generating materials resulting in a chemical reaction. This generates hot gases that flow into the air bag through a filter and expand the bag.

DTC Logic

INFOID:000000007772225

DTC DETECTION LOGIC

DTC	Display contents of CONSULT	DTC detecting condition	Possible cause
B1067 B1072	ASSIST A/B MODULE [GND-SHORT]	Passenger air bag module circuit is shorted to ground	<ul style="list-style-type: none">• Disconnection of wiring harness and short• Malfunction in passenger air bag module• Malfunction in air bag diagnosis sensor unit

DTC CONFIRMATION PROCEDURE

1. CHECK SELF-DIAG RESULT

With CONSULT

1. Turn ignition switch ON.
2. Perform "AIR BAG" Self Diagnostic Result.

Without CONSULT

1. Turn ignition switch ON.
2. Check the air bag warning lamp status. Refer to [SRC-17, "Diagnosis with Air Bag Warning Lamp"](#).

NOTE:

SRS does not enter the diagnosis mode if no malfunction is detected in the user mode.

Is malfunctioning part detected?

- YES >> Refer to [SRC-67, "Diagnosis Procedure"](#).
NO >> INSPECTION END

Diagnosis Procedure

INFOID:000000007772226

WARNING:

- Before servicing, turn ignition switch OFF, disconnect battery negative terminal, and wait at least 3 minutes or more. (To discharge backup capacitor.)
- Never use unspecified tester or other measuring device.

1. CHECK HARNESS CONNECTOR

Check the harness connector.

Is the inspection result normal?

- YES >> GO TO 2.
NO >> Replace harness connector.

2. CHECK WIRING HARNESS

Check the wiring harness externals.

Is the inspection result normal?

- YES >> GO TO 3.
NO >> Replace wiring harness.

3. REPLACE AIR BAG DIAGNOSIS SENSOR UNIT

1. Replace air bag diagnosis sensor unit. Refer to [SR-25, "Exploded View"](#).
2. Perform DTC confirmation procedure. Refer to [SRC-67, "DTC Logic"](#).

Is DTC detected?

- YES >> GO TO 4.
NO >> INSPECTION END

B1067, B1072 PASSENGER AIR BAG MODULE

< DTC/CIRCUIT DIAGNOSIS >

4. REPLACE PASSENGER AIR BAG MODULE

1. Replace passenger air bag module. Refer to [SR-16, "Exploded View"](#)
2. Perform DTC confirmation procedure. Refer to [SRC-67, "DTC Logic"](#).

Is DTC detected?

- YES >> GO TO 1.
NO >> INSPECTION END

B1068, B1073 PASSENGER AIR BAG MODULE

< DTC/CIRCUIT DIAGNOSIS >

B1068, B1073 PASSENGER AIR BAG MODULE

Description

INFOID:000000007772227

In case of frontal collision where acceleration is more than the specified level, the ignition materials are ignited by electric ignition system. The system burns the gas generating materials resulting in a chemical reaction. This generates hot gases that flow into the air bag through a filter and expand the bag.

DTC Logic

INFOID:000000007772228

DTC DETECTION LOGIC

DTC	Display contents of CONSULT	DTC detecting condition	Possible cause
B1068 B1073	ASSIST A/B MODULE [SHORT]	Passenger air bag module circuits are shorted to each other	<ul style="list-style-type: none">• Disconnection of wiring harness and short• Malfunction in passenger air bag module• Malfunction in air bag diagnosis sensor unit

DTC CONFIRMATION PROCEDURE

1. CHECK SELF-DIAG RESULT

With CONSULT

1. Turn ignition switch ON.
2. Perform "AIR BAG" Self Diagnostic Result.

Without CONSULT

1. Turn ignition switch ON.
2. Check the air bag warning lamp status. Refer to [SRC-17, "Diagnosis with Air Bag Warning Lamp"](#).

NOTE:

SRS does not enter the diagnosis mode if no malfunction is detected in the user mode.

Is malfunctioning part detected?

- YES >> Refer to [SRC-69, "Diagnosis Procedure"](#).
NO >> INSPECTION END

Diagnosis Procedure

INFOID:000000007772229

WARNING:

- Before servicing, turn ignition switch OFF, disconnect battery negative terminal, and wait at least 3 minutes or more. (To discharge backup capacitor.)
- Never use unspecified tester or other measuring device.

1. CHECK HARNESS CONNECTOR

Check the harness connector.

Is the inspection result normal?

- YES >> GO TO 2.
NO >> Replace harness connector.

2. CHECK WIRING HARNESS

Check the wiring harness externals.

Is the inspection result normal?

- YES >> GO TO 3.
NO >> Replace wiring harness.

3. REPLACE AIR BAG DIAGNOSIS SENSOR UNIT

1. Replace air bag diagnosis sensor unit. Refer to [SR-25, "Exploded View"](#).
2. Perform DTC confirmation procedure. Refer to [SRC-69, "DTC Logic"](#).

Is DTC detected?

- YES >> GO TO 4.
NO >> INSPECTION END

B1068, B1073 PASSENGER AIR BAG MODULE

< DTC/CIRCUIT DIAGNOSIS >

4. REPLACE PASSENGER AIR BAG MODULE

1. Replace passenger air bag module. Refer to [SR-16, "Exploded View"](#)
2. Perform DTC confirmation procedure. Refer to [SRC-69, "DTC Logic"](#).

Is DTC detected?

- YES >> GO TO 1.
NO >> INSPECTION END

B1074, B1075, B1076, B1077, B1078, B1079 DIAGNOSIS SENSOR UNIT

< DTC/CIRCUIT DIAGNOSIS >

B1074, B1075, B1076, B1077, B1078, B1079 DIAGNOSIS SENSOR UNIT

Description

INFOID:000000007772230

- It detects a shock that is more than the specified level and monitors whether the driver and passenger air bags, side air bag, curtain air bag, and pre-tensioner seat belts operate normally.
- It contains the "G" sensors for both frontal and side collisions and spare battery function in case of main battery damage in collision.

DTC Logic

INFOID:000000007772231

DTC DETECTION LOGIC

DTC	Display contents of CONSULT	DTC detecting condition	Possible cause
B1074 B1075 B1076 B1077 B1078 B1079	CONTROL UNIT	Air bag diagnosis sensor unit is malfunctioning	Malfunction in air bag diagnosis sensor unit

DTC CONFIRMATION PROCEDURE

1. CHECK SELF-DIAG RESULT

Ⓜ With CONSULT

1. Turn ignition switch ON.
2. Perform "AIR BAG" Self Diagnostic Result.

Ⓜ Without CONSULT

1. Turn ignition switch ON.
2. Check the air bag warning lamp status. Refer to [SRC-17, "Diagnosis with Air Bag Warning Lamp"](#).

NOTE:

SRS does not enter the diagnosis mode if no malfunction is detected in the user mode.

Is malfunctioning part detected?

- YES >> Refer to [SRC-71, "Diagnosis Procedure"](#).
NO >> INSPECTION END

Diagnosis Procedure

INFOID:000000007772232

WARNING:

- Before servicing, turn ignition switch OFF, disconnect battery negative terminal, and wait at least 3 minutes or more. (To discharge backup capacitor.)
- Never use unspecified tester or other measuring device.

1. CHECK HARNESS CONNECTOR

Check the harness connector.

Is the inspection result normal?

- YES >> GO TO 2.
NO >> Replace harness connectors.

2. CHECK WIRING HARNESS

Check the wiring harness externals.

Is the inspection result normal?

- YES >> GO TO 3.
NO >> Replace wiring harness.

3. REPLACE AIR BAG DIAGNOSIS SENSOR UNIT

1. Replace air bag diagnosis sensor unit. Refer to [SR-25, "Exploded View"](#).
2. Perform DTC confirmation procedure. Refer to [SRC-71, "DTC Logic"](#).

B1074, B1075, B1076, B1077, B1078, B1079 DIAGNOSIS SENSOR UNIT

< DTC/CIRCUIT DIAGNOSIS >

Is DTC detected?

YES >> GO TO 1.

NO >> INSPECTION END

B1080, B1096 DRIVER AIR BAG MODULE

< DTC/CIRCUIT DIAGNOSIS >

B1080, B1096 DRIVER AIR BAG MODULE

Description

INFOID:000000007772233

In case of frontal collision where acceleration is more than the specified level, the ignition materials are ignited by electric ignition system. The system burns the gas generating materials resulting in a chemical reaction. This generates hot gases that flow into the air bag through a filter and expand the bag.

DTC Logic

INFOID:000000007772234

DTC DETECTION LOGIC

DTC	Display contents of CONSULT	DTC detecting condition	Possible cause
B1080 B1096	DRIVER AIRBAG MODULE [SHORT]	Driver air bag module circuit are shorted to each other (including the spiral cable)	<ul style="list-style-type: none">• Disconnection of wiring harness and short• Malfunction in driver air bag module• Malfunction in spiral cable• Malfunction in air bag diagnosis sensor unit

DTC CONFIRMATION PROCEDURE

1.CHECK SELF-DIAG RESULT

With CONSULT

1. Turn ignition switch ON.
2. Perform "AIR BAG" Self Diagnostic Result.

Without CONSULT

1. Turn ignition switch ON.
2. Check the air bag warning lamp status. Refer to [SRC-17, "Diagnosis with Air Bag Warning Lamp"](#).

NOTE:

SRS does not enter the diagnosis mode if no malfunction is detected in the user mode.

Is malfunctioning part detected?

- YES >> Refer to [SRC-73, "Diagnosis Procedure"](#).
NO >> INSPECTION END

Diagnosis Procedure

INFOID:000000007772235

WARNING:

- Before servicing, turn ignition switch OFF, disconnect battery negative terminal, and wait at least 3 minutes or more. (To discharge backup capacitor.)
- Never use unspecified tester or other measuring device.

1.CHECK HARNESS CONNECTOR

Check the harness connector.

Is the inspection result normal?

- YES >> GO TO 2.
NO >> Replace harness connector.

2.CHECK WIRING HARNESS

Check the wiring harness externals.

Is the inspection result normal?

- YES >> GO TO 3.
NO >> Replace wiring harness.

3.CHECK SPIRAL CABLE CIRCUIT

1. Turn ignition switch OFF.
2. Disconnect driver air bag module connector and combination switch (spiral cable) connector.
3. Check continuity between driver air bag module harness connector and combination switch (spiral cable) harness connector.

B1080, B1096 DRIVER AIR BAG MODULE

< DTC/CIRCUIT DIAGNOSIS >

Driver air bag module		Combination switch (spiral cable)		Continuity
Connector	Terminal	Connector	Terminal	
M350	10	M32	28	Existed
	11		30	
M351	12		29	
	9		30	

4. Check continuity between driver air bag module harness connector and ground.

Driver side air bag module		Ground	Continuity
Connector	Terminal		
M350	10		Not existed
	11		
M351	12		
	9		

Is the inspection result normal?

YES >> GO TO 4.

NO >> Replace combination switch (spiral cable). Refer to [MWI-90, "Exploded View"](#).

4. REPLACE AIR BAG DIAGNOSIS SENSOR UNIT

1. Replace air bag diagnosis sensor unit. Refer to [SR-25, "Exploded View"](#)
2. Perform DTC confirmation procedure. Refer to [SRC-73, "DTC Logic"](#).

Is DTC detected?

YES >> GO TO 5.

NO >> INSPECTION END

5. REPLACE DRIVER AIR BAG MODULE

1. Replace driver air bag module. Refer to [SR-10, "Exploded View"](#)
2. Perform DTC confirmation procedure. Refer to [SRC-73, "DTC Logic"](#).

Is DTC detected?

YES >> GO TO 1.

NO >> INSPECTION END

B1081 SEAT BELT PRE-TENSIONER RH

< DTC/CIRCUIT DIAGNOSIS >

B1081 SEAT BELT PRE-TENSIONER RH

Description

INFOID:000000007772236

In the case of a frontal collision that is more than the specified impact level, the air bag diagnosis sensor unit detects the deceleration caused by collision. It restrains the passenger with seat belt easing the stress on passengers chest with load limiter.

DTC Logic

INFOID:000000007772237

DTC DETECTION LOGIC

DTC	Display contents of CONSULT	DTC detecting condition	Possible cause
B1081	PRE-TEN FRONT RH [OPEN]	Seat belt pre-tensioner RH circuit is open	<ul style="list-style-type: none">• Disconnection of wiring harness and open• Malfunction in seat belt pre-tensioner RH• Malfunction in air bag diagnosis sensor unit

DTC CONFIRMATION PROCEDURE

1. CHECK SELF-DIAG RESULT

With CONSULT

1. Turn ignition switch ON.
2. Perform "AIR BAG" Self Diagnostic Result.

Without CONSULT

1. Turn ignition switch ON.
2. Check the air bag warning lamp status. Refer to [SRC-17, "Diagnosis with Air Bag Warning Lamp"](#).

NOTE:

SRS does not enter the diagnosis mode if no malfunction is detected in the user mode.

Is malfunctioning part detected?

- YES >> Refer to [SRC-75, "Diagnosis Procedure"](#).
NO >> INSPECTION END

Diagnosis Procedure

INFOID:000000007772238

WARNING:

- Before servicing, turn ignition switch OFF, disconnect battery negative terminal, and wait at least 3 minutes or more. (To discharge backup capacitor.)
- Never use unspecified tester or other measuring device.

1. CHECK HARNESS CONNECTOR

Check the harness connector.

Is the inspection result normal?

- YES >> GO TO 2.
NO >> Replace harness connector.

2. CHECK WIRING HARNESS

Check the wiring harness externals.

Is the inspection result normal?

- YES >> GO TO 3.
NO >> Replace wiring harness.

3. REPLACE SEAT BELT PRE-TENSIONER

1. Replace seat belt pre-tensioner RH. Refer to [SB-6, "SEAT BELT RETRACTOR : Exploded View"](#).
2. Perform DTC confirmation procedure. Refer to [SRC-75, "DTC Logic"](#).

Is DTC detected?

- YES >> GO TO 4.
NO >> INSPECTION END

B1081 SEAT BELT PRE-TENSIONER RH

< DTC/CIRCUIT DIAGNOSIS >

4. REPLACE AIR BAG DIAGNOSIS SENSOR UNIT

1. Replace air bag diagnosis sensor unit. Refer to [SR-25, "Exploded View"](#).
2. Perform DTC confirmation procedure. Refer to [SRC-75, "DTC Logic"](#).

Is DTC detected?

- YES >> GO TO 1.
NO >> INSPECTION END

B1082 SEAT BELT PRE-TENSIONER RH

< DTC/CIRCUIT DIAGNOSIS >

B1082 SEAT BELT PRE-TENSIONER RH

Description

INFOID:000000000772239

In the case of a frontal collision that is more than the specified impact level, the air bag diagnosis sensor unit detects the deceleration caused by collision. It restrains the passenger with seat belt easing the stress on passengers chest with load limiter.

DTC Logic

INFOID:000000000772240

DTC DETECTION LOGIC

DTC	Display contents of CONSULT	DTC detecting condition	Possible cause
B1082	PRE-TEN FRONT RH [VB-SHORT]	Seat belt pre-tensioner RH circuit is shorted to power supply circuit	<ul style="list-style-type: none">• Disconnection of wiring harness and short• Malfunction in seat belt pre-tensioner RH• Malfunction in air bag diagnosis sensor unit

DTC CONFIRMATION PROCEDURE

1. CHECK SELF-DIAG RESULT

With CONSULT

1. Turn ignition switch ON.
2. Perform "AIR BAG" Self Diagnostic Result.

Without CONSULT

1. Turn ignition switch ON.
2. Check the air bag warning lamp status. Refer to [SRC-17, "Diagnosis with Air Bag Warning Lamp"](#).

NOTE:

SRS does not enter the diagnosis mode if no malfunction is detected in the user mode.

Is malfunctioning part detected?

- YES >> Refer to [SRC-77, "Diagnosis Procedure"](#).
NO >> INSPECTION END

Diagnosis Procedure

INFOID:000000000772241

WARNING:

- Before servicing, turn ignition switch OFF, disconnect battery negative terminal, and wait at least 3 minutes or more. (To discharge backup capacitor.)
- Never use unspecified tester or other measuring device.

1. CHECK HARNESS CONNECTOR

Check the harness connector.

Is the inspection result normal?

- YES >> GO TO 2.
NO >> Replace harness connector.

2. CHECK WIRING HARNESS

Check the wiring harness externals.

Is the inspection result normal?

- YES >> GO TO 3.
NO >> Replace wiring harness.

3. REPLACE SEAT BELT PRE-TENSIONER

1. Replace seat belt pre-tensioner RH. Refer to [SB-6, "SEAT BELT RETRACTOR : Exploded View"](#).
2. Perform DTC confirmation procedure. Refer to [SRC-77, "DTC Logic"](#).

Is DTC detected?

- YES >> GO TO 4.
NO >> INSPECTION END

B1082 SEAT BELT PRE-TENSIONER RH

< DTC/CIRCUIT DIAGNOSIS >

4. REPLACE AIR BAG DIAGNOSIS SENSOR UNIT

1. Replace air bag diagnosis sensor unit. Refer to [SR-25, "Exploded View"](#).
2. Perform DTC confirmation procedure. Refer to [SRC-77, "DTC Logic"](#).

Is DTC detected?

- YES >> GO TO 1.
NO >> INSPECTION END

B1083 SEAT BELT PRE-TENSIONER RH

< DTC/CIRCUIT DIAGNOSIS >

B1083 SEAT BELT PRE-TENSIONER RH

Description

INFOID:000000007772242

In the case of a frontal collision that is more than the specified impact level, the air bag diagnosis sensor unit detects the deceleration caused by collision. It restrains the passenger with seat belt easing the stress on passengers chest with load limiter.

DTC Logic

INFOID:000000007772243

DTC DETECTION LOGIC

DTC	Display contents of CONSULT	DTC detecting condition	Possible cause
B1083	PRE-TEN FRONT RH [GND-SHORT]	Seat belt pre-tensioner RH circuit is shorted to ground	<ul style="list-style-type: none">• Disconnection of wiring harness and short• Malfunction in seat belt pre-tensioner RH• Malfunction in air bag diagnosis sensor unit

DTC CONFIRMATION PROCEDURE

1.CHECK SELF-DIAG RESULT

With CONSULT

1. Turn ignition switch ON.
2. Perform "AIR BAG" Self Diagnostic Result.

Without CONSULT

1. Turn ignition switch ON.
2. Check the air bag warning lamp status. Refer to [SRC-17, "Diagnosis with Air Bag Warning Lamp"](#).

NOTE:

SRS does not enter the diagnosis mode if no malfunction is detected in the user mode.

Is malfunctioning part detected?

- YES >> Refer to [SRC-79, "Diagnosis Procedure"](#).
NO >> INSPECTION END

Diagnosis Procedure

INFOID:000000007772244

WARNING:

- Before servicing, turn ignition switch OFF, disconnect battery negative terminal, and wait at least 3 minutes or more. (To discharge backup capacitor.)
- Never use unspecified tester or other measuring device.

1.CHECK HARNESS CONNECTOR

Check the harness connector.

Is the inspection result normal?

- YES >> GO TO 2.
NO >> Replace harness connector.

2.CHECK WIRING HARNESS

Check the wiring harness externals.

Is the inspection result normal?

- YES >> GO TO 3.
NO >> Replace wiring harness.

3.REPLACE SEAT BELT PRE-TENSIONER

1. Replace seat belt pre-tensioner RH. Refer to [SB-6, "SEAT BELT RETRACTOR : Exploded View"](#).
2. Perform DTC confirmation procedure. Refer to [SRC-79, "DTC Logic"](#).

Is DTC detected?

- YES >> GO TO 4.
NO >> INSPECTION END

B1083 SEAT BELT PRE-TENSIONER RH

< DTC/CIRCUIT DIAGNOSIS >

4. REPLACE AIR BAG DIAGNOSIS SENSOR UNIT

1. Replace air bag diagnosis sensor unit. Refer to [SR-25, "Exploded View"](#).
2. Perform DTC confirmation procedure. Refer to [SRC-79, "DTC Logic"](#).

Is DTC detected?

- YES >> GO TO 1.
NO >> INSPECTION END

B1084 SEAT BELT PRE-TENSIONER RH

< DTC/CIRCUIT DIAGNOSIS >

B1084 SEAT BELT PRE-TENSIONER RH

Description

INFOID:000000007772245

In the case of a frontal collision that is more than the specified impact level, the air bag diagnosis sensor unit detects the deceleration caused by collision. It restrains the passenger with seat belt easing the stress on passengers chest with load limiter.

DTC Logic

INFOID:000000007772246

DTC DETECTION LOGIC

DTC	Display contents of CONSULT	DTC detecting condition	Possible cause
B1084	PRE-TEN FRONT RH [SHORT]	Seat belt pre-tensioner RH circuits are shorted to each other	<ul style="list-style-type: none">• Disconnection of wiring harness and short• Malfunction in seat belt pre-tensioner RH• Malfunction in air bag diagnosis sensor unit

DTC CONFIRMATION PROCEDURE

1.CHECK SELF-DIAG RESULT

With CONSULT

1. Turn ignition switch ON.
2. Perform "AIR BAG" Self Diagnostic Result.

Without CONSULT

1. Turn ignition switch ON.
2. Check the air bag warning lamp status. Refer to [SRC-17, "Diagnosis with Air Bag Warning Lamp"](#).

NOTE:

SRS does not enter the diagnosis mode if no malfunction is detected in the user mode.

Is malfunctioning part detected?

- YES >> Refer to [SRC-81, "Diagnosis Procedure"](#).
NO >> INSPECTION END

Diagnosis Procedure

INFOID:000000007772247

WARNING:

- Before servicing, turn ignition switch OFF, disconnect battery negative terminal, and wait at least 3 minutes or more. (To discharge backup capacitor.)
- Never use unspecified tester or other measuring device.

1.CHECK HARNESS CONNECTOR

Check the harness connector.

Is the inspection result normal?

- YES >> GO TO 2.
NO >> Replace harness connector.

2.CHECK WIRING HARNESS

Check the wiring harness externals.

Is the inspection result normal?

- YES >> GO TO 3.
NO >> Replace wiring harness.

3.REPLACE SEAT BELT PRE-TENSIONER

1. Replace seat belt pre-tensioner RH. Refer to [SB-6, "SEAT BELT RETRACTOR : Exploded View"](#).
2. Perform DTC confirmation procedure. Refer to [SRC-81, "DTC Logic"](#).

Is DTC detected?

- YES >> GO TO 4.
NO >> INSPECTION END

B1084 SEAT BELT PRE-TENSIONER RH

< DTC/CIRCUIT DIAGNOSIS >

4. REPLACE AIR BAG DIAGNOSIS SENSOR UNIT

1. Replace air bag diagnosis sensor unit. Refer to [SR-25, "Exploded View"](#).
2. Perform DTC confirmation procedure. Refer to [SRC-81, "DTC Logic"](#).

Is DTC detected?

- YES >> GO TO 1.
NO >> INSPECTION END

B1086 SEAT BELT PRE-TENSIONER LH

< DTC/CIRCUIT DIAGNOSIS >

B1086 SEAT BELT PRE-TENSIONER LH

Description

INFOID:000000007772248

In the case of a frontal collision that is more than the specified impact level, the air bag diagnosis sensor unit detects the deceleration caused by collision. It restrains the passenger with seat belt easing the stress on passengers chest with load limiter.

DTC Logic

INFOID:000000007772249

DTC DETECTION LOGIC

DTC	Display contents of CONSULT	DTC detecting condition	Possible cause
B1086	PRE-TEN FRONT LH [OPEN]	Seat belt pre-tensioner LH circuit is open	<ul style="list-style-type: none">Disconnection of wiring harness and openMalfuction in seat belt pre-tensioner LHMalfuction in air bag diagnosis sensor unit

DTC CONFIRMATION PROCEDURE

1.CHECK SELF-DIAG RESULT

With CONSULT

- Turn ignition switch ON.
- Perform "AIR BAG" Self Diagnostic Result.

Without CONSULT

- Turn ignition switch ON.
- Check the air bag warning lamp status. Refer to [SRC-17, "Diagnosis with Air Bag Warning Lamp"](#).

NOTE:

SRS does not enter the diagnosis mode if no malfunction is detected in the user mode.

Is malfunctioning part detected?

- YES >> Refer to [SRC-83, "Diagnosis Procedure"](#).
NO >> INSPECTION END

Diagnosis Procedure

INFOID:000000007772250

WARNING:

- Before servicing, turn ignition switch OFF, disconnect battery negative terminal, and wait at least 3 minutes or more. (To discharge backup capacitor.)
- Never use unspecified tester or other measuring device.

1.CHECK HARNESS CONNECTOR

Check the harness connector.

Is the inspection result normal?

- YES >> GO TO 2.
NO >> Replace harness connector.

2.CHECK WIRING HARNESS

Check the wiring harness externals.

Is the inspection result normal?

- YES >> GO TO 3.
NO >> Replace wiring harness.

3.REPLACE SEAT BELT PRE-TENSIONER

- Replace seat belt pre-tensioner LH. Refer to [SB-6, "SEAT BELT RETRACTOR : Exploded View"](#).
- Perform DTC confirmation procedure. Refer to [SRC-83, "DTC Logic"](#).

Is DTC detected?

- YES >> GO TO 4.
NO >> INSPECTION END

B1086 SEAT BELT PRE-TENSIONER LH

< DTC/CIRCUIT DIAGNOSIS >

4. REPLACE AIR BAG DIAGNOSIS SENSOR UNIT

1. Replace air bag diagnosis sensor unit. Refer to [SR-25, "Exploded View"](#).
2. Perform DTC confirmation procedure. Refer to [SRC-83, "DTC Logic"](#).

Is DTC detected?

- YES >> GO TO 1.
NO >> INSPECTION END

B1087 SEAT BELT PRE-TENSIONER LH

< DTC/CIRCUIT DIAGNOSIS >

B1087 SEAT BELT PRE-TENSIONER LH

Description

INFOID:000000007772251

In the case of a frontal collision that is more than the specified impact level, the air bag diagnosis sensor unit detects the deceleration caused by collision. It restrains the passenger with seat belt easing the stress on passengers chest with load limiter.

DTC Logic

INFOID:000000007772252

DTC DETECTION LOGIC

DTC	Display contents of CONSULT	DTC detecting condition	Possible cause
B1087	PRE-TEN FRONT LH [VB-SHORT]	Seat belt pre-tensioner LH circuit is shorted to power supply circuit	<ul style="list-style-type: none">• Disconnection of wiring harness and short• Malfunction in seat belt pre-tensioner LH• Malfunction in air bag diagnosis sensor unit

DTC CONFIRMATION PROCEDURE

1. CHECK SELF-DIAG RESULT

With CONSULT

1. Turn ignition switch ON.
2. Perform "AIR BAG" Self Diagnostic Result.

Without CONSULT

1. Turn ignition switch ON.
2. Check the air bag warning lamp status. Refer to [SRC-17, "Diagnosis with Air Bag Warning Lamp"](#).

NOTE:

SRS does not enter the diagnosis mode if no malfunction is detected in the user mode.

Is malfunctioning part detected?

- YES >> Refer to [SRC-85, "Diagnosis Procedure"](#).
NO >> INSPECTION END

Diagnosis Procedure

INFOID:000000007772253

WARNING:

- Before servicing, turn ignition switch OFF, disconnect battery negative terminal, and wait at least 3 minutes or more. (To discharge backup capacitor.)
- Never use unspecified tester or other measuring device.

1. CHECK HARNESS CONNECTOR

Check the harness connector.

Is the inspection result normal?

- YES >> GO TO 2.
NO >> Replace harness connector.

2. CHECK WIRING HARNESS

Check the wiring harness externals.

Is the inspection result normal?

- YES >> GO TO 3.
NO >> Replace wiring harness.

3. REPLACE SEAT BELT PRE-TENSIONER

1. Replace seat belt pre-tensioner LH. Refer to [SB-6, "SEAT BELT RETRACTOR : Exploded View"](#).
2. Perform DTC confirmation procedure. Refer to [SRC-85, "DTC Logic"](#).

Is DTC detected?

- YES >> GO TO 4.
NO >> INSPECTION END

B1087 SEAT BELT PRE-TENSIONER LH

< DTC/CIRCUIT DIAGNOSIS >

4. REPLACE AIR BAG DIAGNOSIS SENSOR UNIT

1. Replace air bag diagnosis sensor unit. Refer to [SR-25, "Exploded View"](#).
2. Perform DTC confirmation procedure. Refer to [SRC-85, "DTC Logic"](#).

Is DTC detected?

YES >> GO TO 1.

NO >> INSPECTION END

B1088 SEAT BELT PRE-TENSIONER LH

< DTC/CIRCUIT DIAGNOSIS >

B1088 SEAT BELT PRE-TENSIONER LH

Description

INFOID:000000007772254

In the case of a frontal collision that is more than the specified impact level, the air bag diagnosis sensor unit detects the deceleration caused by collision. It restrains the passenger with seat belt easing the stress on passengers chest with load limiter.

DTC Logic

INFOID:000000007772255

DTC DETECTION LOGIC

DTC	Display contents of CONSULT	DTC detecting condition	Possible cause
B1088	PRE-TEN FRONT LH [GND-SHORT]	Seat belt pre-tensioner LH circuit is shorted to ground	<ul style="list-style-type: none">• Disconnection of wiring harness and short• Malfunction in seat belt pre-tensioner LH• Malfunction in air bag diagnosis sensor unit

DTC CONFIRMATION PROCEDURE

1. CHECK SELF-DIAG RESULT

With CONSULT

1. Turn ignition switch ON.
2. Perform "AIR BAG" Self Diagnostic Result.

Without CONSULT

1. Turn ignition switch ON.
2. Check the air bag warning lamp status. Refer to [SRC-17, "Diagnosis with Air Bag Warning Lamp"](#).

NOTE:

SRS does not enter the diagnosis mode if no malfunction is detected in the user mode.

Is malfunctioning part detected?

- YES >> Refer to [SRC-87, "Diagnosis Procedure"](#).
NO >> INSPECTION END

Diagnosis Procedure

INFOID:000000007772256

WARNING:

- Before servicing, turn ignition switch OFF, disconnect battery negative terminal, and wait at least 3 minutes or more. (To discharge backup capacitor.)
- Never use unspecified tester or other measuring device.

1. CHECK HARNESS CONNECTOR

Check the harness connector.

Is the inspection result normal?

- YES >> GO TO 2.
NO >> Replace harness connector.

2. CHECK WIRING HARNESS

Check the wiring harness externals.

Is the inspection result normal?

- YES >> GO TO 3.
NO >> Replace wiring harness.

3. REPLACE SEAT BELT PRE-TENSIONER

1. Replace seat belt pre-tensioner LH. Refer to [SB-6, "SEAT BELT RETRACTOR : Exploded View"](#).
2. Perform DTC confirmation procedure. Refer to [SRC-87, "DTC Logic"](#).

Is DTC detected?

- YES >> GO TO 4.
NO >> INSPECTION END

B1088 SEAT BELT PRE-TENSIONER LH

< DTC/CIRCUIT DIAGNOSIS >

4. REPLACE AIR BAG DIAGNOSIS SENSOR UNIT

1. Replace air bag diagnosis sensor unit. Refer to [SR-25, "Exploded View"](#).
2. Perform DTC confirmation procedure. Refer to [SRC-87, "DTC Logic"](#).

Is DTC detected?

- YES >> GO TO 1.
NO >> INSPECTION END

B1089 SEAT BELT PRE-TENSIONER LH

< DTC/CIRCUIT DIAGNOSIS >

B1089 SEAT BELT PRE-TENSIONER LH

Description

INFOID:000000007772257

In the case of a frontal collision that is more than the specified impact level, the air bag diagnosis sensor unit detects the deceleration caused by collision. It restrains the passenger with seat belt easing the stress on passengers chest with load limiter.

DTC Logic

INFOID:000000007772258

DTC DETECTION LOGIC

DTC	Display contents of CONSULT	DTC detecting condition	Possible cause
B1089	PRE-TEN FRONT LH [SHORT]	Seat belt pre-tensioner LH circuits are shorted to each other	<ul style="list-style-type: none">• Disconnection of wiring harness and short• Malfunction in seat belt pre-tensioner LH• Malfunction in air bag diagnosis sensor unit

DTC CONFIRMATION PROCEDURE

1. CHECK SELF-DIAG RESULT

With CONSULT

1. Turn ignition switch ON.
2. Perform "AIR BAG" Self Diagnostic Result.

Without CONSULT

1. Turn ignition switch ON.
2. Check the air bag warning lamp status. Refer to [SRC-17, "Diagnosis with Air Bag Warning Lamp"](#).

NOTE:

SRS does not enter the diagnosis mode if no malfunction is detected in the user mode.

Is malfunctioning part detected?

- YES >> Refer to [SRC-89, "Diagnosis Procedure"](#).
NO >> INSPECTION END

Diagnosis Procedure

INFOID:000000007772259

WARNING:

- Before servicing, turn ignition switch OFF, disconnect battery negative terminal, and wait at least 3 minutes or more. (To discharge backup capacitor.)
- Never use unspecified tester or other measuring device.

1. CHECK HARNESS CONNECTOR

Check the harness connector.

Is the inspection result normal?

- YES >> GO TO 2.
NO >> Replace harness connector.

2. CHECK WIRING HARNESS

Check the wiring harness externals.

Is the inspection result normal?

- YES >> GO TO 3.
NO >> Replace wiring harness.

3. REPLACE SEAT BELT PRE-TENSIONER

1. Replace seat belt pre-tensioner LH. Refer to [SB-6, "SEAT BELT RETRACTOR : Exploded View"](#).
2. Perform DTC confirmation procedure. Refer to [SRC-89, "DTC Logic"](#).

Is DTC detected?

- YES >> GO TO 4.
NO >> INSPECTION END

B1089 SEAT BELT PRE-TENSIONER LH

< DTC/CIRCUIT DIAGNOSIS >

4. REPLACE AIR BAG DIAGNOSIS SENSOR UNIT

1. Replace air bag diagnosis sensor unit. Refer to [SR-25, "Exploded View"](#).
2. Perform DTC confirmation procedure. Refer to [SRC-89, "DTC Logic"](#).

Is DTC detected?

- YES >> GO TO 1.
NO >> INSPECTION END

B1090, B1091, B1092, B1093, B1094, B1095 DIAGNOSIS SENSOR UNIT

< DTC/CIRCUIT DIAGNOSIS >

B1090, B1091, B1092, B1093, B1094, B1095 DIAGNOSIS SENSOR UNIT

Description

INFOID:000000007772260

- It detects a shock that is more than the specified level and monitors whether the driver and passenger air bags, side air bag, curtain air bag, and pre-tensioner seat belts operate normally.
- It contains the "G" sensors for both frontal and side collisions and spare battery function in case of main battery damage in collision.

DTC Logic

INFOID:000000007772261

DTC DETECTION LOGIC

DTC	Display contents of CONSULT	DTC detecting condition	Possible cause
B1090 B1091 B1092 B1093 B0194 B1095	CONTROL UNIT	Air bag diagnosis sensor unit is malfunctioning	Malfunction in air bag diagnosis sensor unit

DTC CONFIRMATION PROCEDURE

1. CHECK SELF-DIAG RESULT

With CONSULT

1. Turn ignition switch ON.
2. Perform "AIR BAG" Self Diagnostic Result.

Without CONSULT

1. Turn ignition switch ON.
2. Check the air bag warning lamp status. Refer to [SRC-17, "Diagnosis with Air Bag Warning Lamp"](#).

NOTE:

SRS does not enter the diagnosis mode if no malfunction is detected in the user mode.

Is malfunctioning part detected?

- YES >> Refer to [SRC-91, "Diagnosis Procedure"](#).
NO >> INSPECTION END

Diagnosis Procedure

INFOID:000000007772262

WARNING:

- Before servicing, turn ignition switch OFF, disconnect battery negative terminal, and wait at least 3 minutes or more. (To discharge backup capacitor.)
- Never use unspecified tester or other measuring device.

1. CHECK HARNESS CONNECTOR

Check the harness connector.

Is the inspection result normal?

- YES >> GO TO 2.
NO >> Replace harness connectors.

2. CHECK WIRING HARNESS

Check the wiring harness externals.

Is the inspection result normal?

- YES >> GO TO 3.
NO >> Replace wiring harness.

3. REPLACE AIR BAG DIAGNOSIS SENSOR UNIT

1. Replace air bag diagnosis sensor unit. Refer to [SR-25, "Exploded View"](#).
2. Perform DTC confirmation procedure. Refer to [SRC-91, "DTC Logic"](#).

B1090, B1091, B1092, B1093, B1094, B1095 DIAGNOSIS SENSOR UNIT

< DTC/CIRCUIT DIAGNOSIS >

Is DTC detected?

YES >> GO TO 1.

NO >> INSPECTION END

B1106, B1107, B1108, B1109, B1110, B1111 DIAGNOSIS SENSOR UNIT

< DTC/CIRCUIT DIAGNOSIS >

B1106, B1107, B1108, B1109, B1110, B1111 DIAGNOSIS SENSOR UNIT

Description

INFOID:000000007772263

- It detects a shock that is more than the specified level and monitors whether the driver and passenger air bags, side air bag, curtain air bag, and pre-tensioner seat belts operate normally.
- It contains the "G" sensors for both frontal and side collisions and spare battery function in case of main battery damage in collision.

DTC Logic

INFOID:000000007772264

DTC DETECTION LOGIC

DTC	Display contents of CONSULT	DTC detecting condition	Possible cause
B1106 B1107 B1108 B1109 B1110 B1111	CONTROL UNIT	Air bag diagnosis sensor unit is malfunctioning	Malfunction in air bag diagnosis sensor unit

DTC CONFIRMATION PROCEDURE

1. CHECK SELF-DIAG RESULT

With CONSULT

1. Turn ignition switch ON.
2. Perform "AIR BAG" Self Diagnostic Result.

Without CONSULT

1. Turn ignition switch ON.
2. Check the air bag warning lamp status. Refer to [SRC-17, "Diagnosis with Air Bag Warning Lamp"](#).

NOTE:

SRS does not enter the diagnosis mode if no malfunction is detected in the user mode.

Is malfunctioning part detected?

- YES >> Refer to [SRC-93, "Diagnosis Procedure"](#).
NO >> INSPECTION END

Diagnosis Procedure

INFOID:000000007772265

WARNING:

- Before servicing, turn ignition switch OFF, disconnect battery negative terminal, and wait at least 3 minutes or more. (To discharge backup capacitor.)
- Never use unspecified tester or other measuring device.

1. CHECK HARNESS CONNECTOR

Check the harness connector.

Is the inspection result normal?

- YES >> GO TO 2.
NO >> Replace harness connectors.

2. CHECK WIRING HARNESS

Check the wiring harness externals.

Is the inspection result normal?

- YES >> GO TO 3.
NO >> Replace wiring harness.

3. REPLACE AIR BAG DIAGNOSIS SENSOR UNIT

1. Replace air bag diagnosis sensor unit. Refer to [SR-25, "Exploded View"](#).
2. Perform DTC confirmation procedure. Refer to [SRC-93, "DTC Logic"](#).

B1106, B1107, B1108, B1109, B1110, B1111 DIAGNOSIS SENSOR UNIT

< DTC/CIRCUIT DIAGNOSIS >

Is DTC detected?

YES >> GO TO 1.

NO >> INSPECTION END

B1113, B1114 SATELLITE SENSOR RH

< DTC/CIRCUIT DIAGNOSIS >

B1113, B1114 SATELLITE SENSOR RH

Description

INFOID:000000007772266

When air bag diagnosis sensor unit defines both signal voltage of the "G" sensor and the safing algorithm to be that of collision which is more than the specified level, the driving circuit switches on and feeds the electric ignitor of both the front side air bag and side curtain air bag.

DTC Logic

INFOID:000000007772267

DTC DETECTION LOGIC

DTC	Display contents of CONSULT	DTC detecting condition	Possible cause
B1113 B1114	SATELLITE SENS RH [UNIT FAIL]	Satellite sensor RH is malfunctioning	<ul style="list-style-type: none">• Disconnection of wiring harness• Malfunction in satellite sensor RH• Malfunction in air bag diagnosis sensor unit

DTC CONFIRMATION PROCEDURE

1. CHECK SELF-DIAG RESULT

With CONSULT

1. Turn ignition switch ON.
2. Perform "AIR BAG" Self Diagnostic Result.

Without CONSULT

1. Turn ignition switch ON.
2. Check the air bag warning lamp status. Refer to [SRC-17, "Diagnosis with Air Bag Warning Lamp"](#).

NOTE:

SRS does not enter the diagnosis mode if no malfunction is detected in the user mode.

Is malfunctioning part detected?

- YES >> Refer to [SRC-95, "Diagnosis Procedure"](#).
NO >> INSPECTION END

Diagnosis Procedure

INFOID:000000007772268

WARNING:

- Before servicing, turn ignition switch OFF, disconnect battery negative terminal, and wait at least 3 minutes or more. (To discharge backup capacitor.)
- Never use unspecified tester or other measuring device.

1. CHECK HARNESS CONNECTOR

Check the harness connector.

Is the inspection result normal?

- YES >> GO TO 2.
NO >> Replace harness connector.

2. CHECK WIRING HARNESS

Check the wiring harness externals.

Is the inspection result normal?

- YES >> GO TO 3.
NO >> Replace wiring harness.

3. REPLACE SATELLITE SENSOR

1. Replace satellite sensor RH. Refer to [SR-23, "Exploded View"](#).
2. Perform DTC confirmation procedure. Refer to [SRC-95, "DTC Logic"](#).

Is DTC detected?

- YES >> GO TO 4.
NO >> INSPECTION END

B1113, B1114 SATELLITE SENSOR RH

< DTC/CIRCUIT DIAGNOSIS >

4. REPLACE AIR BAG DIAGNOSIS SENSOR UNIT

1. Replace air bag diagnosis sensor unit. Refer to [SR-25, "Exploded View"](#).
2. Perform DTC confirmation procedure. Refer to [SRC-95, "DTC Logic"](#).

Is DTC detected?

- YES >> GO TO 1.
NO >> INSPECTION END

B1115 SATELLITE SENSOR RH

< DTC/CIRCUIT DIAGNOSIS >

B1115 SATELLITE SENSOR RH

Description

INFOID:000000007772269

When air bag diagnosis sensor unit defines both signal voltage of the "G" sensor and the safing algorithm to be that of collision which is more than the specified level, the driving circuit switches on and feeds the electric ignitor of both the front side air bag and side curtain air bag.

DTC Logic

INFOID:000000007772270

DTC DETECTION LOGIC

DTC	Display contents of CONSULT	DTC detecting condition	Possible cause
B1115	SATELLITE SENS RH [COMM FAIL]	Satellite sensor RH is malfunctioning	<ul style="list-style-type: none">• Disconnection of wiring harness• Malfunction in satellite sensor RH• Malfunction in air bag diagnosis sensor unit

DTC CONFIRMATION PROCEDURE

1. CHECK SELF-DIAG RESULT

With CONSULT

1. Turn ignition switch ON.
2. Perform "AIR BAG" Self Diagnostic Result.

Without CONSULT

1. Turn ignition switch ON.
2. Check the air bag warning lamp status. Refer to [SRC-17, "Diagnosis with Air Bag Warning Lamp"](#).

NOTE:

SRS does not enter the diagnosis mode if no malfunction is detected in the user mode.

Is malfunctioning part detected?

- YES >> Refer to [SRC-97, "Diagnosis Procedure"](#).
NO >> INSPECTION END

Diagnosis Procedure

INFOID:000000007772271

WARNING:

- Before servicing, turn ignition switch OFF, disconnect battery negative terminal, and wait at least 3 minutes or more. (To discharge backup capacitor.)
- Never use unspecified tester or other measuring device.

1. CHECK HARNESS CONNECTOR

Check the harness connector.

Is the inspection result normal?

- YES >> GO TO 2.
NO >> Replace harness connector.

2. CHECK WIRING HARNESS

Check the wiring harness externals.

Is the inspection result normal?

- YES >> GO TO 3.
NO >> Replace wiring harness.

3. REPLACE SATELLITE SENSOR

1. Replace satellite sensor RH. Refer to [SR-23, "Exploded View"](#).
2. Perform DTC confirmation procedure. Refer to [SRC-97, "DTC Logic"](#).

Is DTC detected?

- YES >> GO TO 4.
NO >> INSPECTION END

B1115 SATELLITE SENSOR RH

< DTC/CIRCUIT DIAGNOSIS >

4. REPLACE AIR BAG DIAGNOSIS SENSOR UNIT

1. Replace air bag diagnosis sensor unit. Refer to [SR-25, "Exploded View"](#).
2. Perform DTC confirmation procedure. Refer to [SRC-97, "DTC Logic"](#).

Is DTC detected?

YES >> GO TO 1.

NO >> INSPECTION END

B1116 SATELLITE SENSOR RH

< DTC/CIRCUIT DIAGNOSIS >

B1116 SATELLITE SENSOR RH

Description

INFOID:000000007772272

When air bag diagnosis sensor unit defines both signal voltage of the "G" sensor and the safing algorithm to be that of collision which is more than the specified level, the driving circuit switches on and feeds the electric ignitor of both the front side air bag and side curtain air bag.

DTC Logic

INFOID:000000007772273

DTC DETECTION LOGIC

DTC	Display contents of CONSULT	DTC detecting condition	Possible cause
B1116	SATELLITE SENS RH [UNMATCH]	Satellite sensor RH is out of the specified specification	Diagnosis sensor unit or crash zone sensor is different from the part specified

DTC CONFIRMATION PROCEDURE

1. CHECK SELF-DIAG RESULT

With CONSULT

1. Turn ignition switch ON.
2. Perform "AIR BAG" Self Diagnostic Result.

Without CONSULT

1. Turn ignition switch ON.
2. Check the air bag warning lamp status. Refer to [SRC-17. "Diagnosis with Air Bag Warning Lamp"](#).

NOTE:

SRS does not enter the diagnosis mode if no malfunction is detected in the user mode.

Is malfunctioning part detected?

- YES >> Refer to [SRC-99. "Diagnosis Procedure"](#).
NO >> INSPECTION END

Diagnosis Procedure

INFOID:000000007772274

WARNING:

- Before servicing, turn ignition switch OFF, disconnect battery negative terminal, and wait at least 3 minutes or more. (To discharge backup capacitor.)
- Never use unspecified tester or other measuring device.

1. CHECK HARNESS CONNECTOR

Check the harness connector.

Is the inspection result normal?

- YES >> GO TO 2.
NO >> Replace harness connector.

2. CHECK WIRING HARNESS

Check the wiring harness externals.

Is the inspection result normal?

- YES >> GO TO 3.
NO >> Replace wiring harness.

3. REPLACE SATELLITE SENSOR

1. Replace satellite sensor RH. Refer to [SR-23. "Exploded View"](#).
2. Perform DTC confirmation procedure. Refer to [SRC-99. "DTC Logic"](#).

Is DTC detected?

- YES >> GO TO 4.
NO >> INSPECTION END

4. REPLACE AIR BAG DIAGNOSIS SENSOR UNIT

B1116 SATELLITE SENSOR RH

< DTC/CIRCUIT DIAGNOSIS >

1. Replace air bag diagnosis sensor unit. Refer to [SR-25, "Exploded View"](#).
2. Perform DTC confirmation procedure. Refer to [SRC-99, "DTC Logic"](#).

Is DTC detected?

- YES >> GO TO 1.
NO >> INSPECTION END

B1118, B1119 SATELLITE SENSOR LH

< DTC/CIRCUIT DIAGNOSIS >

B1118, B1119 SATELLITE SENSOR LH

Description

INFOID:00000000772275

When air bag diagnosis sensor unit defines both signal voltage of the "G" sensor and the safing algorithm to be that of collision which is more than the specified level, the driving circuit switches on and feeds the electric ignitor of both the front side air bag and side curtain air bag.

DTC Logic

INFOID:00000000772276

DTC DETECTION LOGIC

DTC	Display contents of CONSULT	DTC detecting condition	Possible cause
B1118 B1119	SATELLITE SENS LH [UNIT FAIL]	Satellite sensor LH is malfunctioning	<ul style="list-style-type: none">• Disconnection of wiring harness• Malfunction in satellite sensor LH• Malfunction in air bag diagnosis sensor unit

DTC CONFIRMATION PROCEDURE

1. CHECK SELF-DIAG RESULT

With CONSULT

1. Turn ignition switch ON.
2. Perform "AIR BAG" Self Diagnostic Result.

Without CONSULT

1. Turn ignition switch ON.
2. Check the air bag warning lamp status. Refer to [SRC-17, "Diagnosis with Air Bag Warning Lamp"](#).

NOTE:

SRS does not enter the diagnosis mode if no malfunction is detected in the user mode.

Is malfunctioning part detected?

- YES >> Refer to [SRC-101, "Diagnosis Procedure"](#).
NO >> INSPECTION END

Diagnosis Procedure

INFOID:00000000772277

WARNING:

- Before servicing, turn ignition switch OFF, disconnect battery negative terminal, and wait at least 3 minutes or more. (To discharge backup capacitor.)
- Never use unspecified tester or other measuring device.

1. CHECK HARNESS CONNECTOR

Check the harness connector.

Is the inspection result normal?

- YES >> GO TO 2.
NO >> Replace harness connector.

2. CHECK WIRING HARNESS

Check the wiring harness externals.

Is the inspection result normal?

- YES >> GO TO 3.
NO >> Replace wiring harness.

3. REPLACE SATELLITE SENSOR

1. Replace satellite sensor LH. Refer to [SR-23, "Exploded View"](#).
2. Perform DTC confirmation procedure. Refer to [SRC-101, "DTC Logic"](#)

Is DTC detected?

- YES >> GO TO 4.
NO >> INSPECTION END

B1118, B1119 SATELLITE SENSOR LH

< DTC/CIRCUIT DIAGNOSIS >

4. REPLACE AIR BAG DIAGNOSIS SENSOR UNIT

1. Replace air bag diagnosis sensor unit. Refer to [SR-25, "Exploded View"](#).
2. Perform DTC confirmation procedure. Refer to [SRC-101, "DTC Logic"](#).

Is DTC detected?

- YES >> GO TO 1.
NO >> INSPECTION END

B1120 SATELLITE SENSOR LH

< DTC/CIRCUIT DIAGNOSIS >

B1120 SATELLITE SENSOR LH

Description

INFOID:000000007772278

When air bag diagnosis sensor unit defines both signal voltage of the "G" sensor and the safing algorithm to be that of collision which is more than the specified level, the driving circuit switches on and feeds the electric ignitor of both the front side air bag and side curtain air bag.

DTC Logic

INFOID:000000007772279

DTC DETECTION LOGIC

DTC	Display contents of CONSULT	DTC detecting condition	Possible cause
B1120	SATELLITE SENS LH [COMM FAIL]	Satellite sensor LH is malfunctioning	<ul style="list-style-type: none">• Disconnection of wiring harness• Malfunction in satellite sensor LH• Malfunction in air bag diagnosis sensor unit

DTC CONFIRMATION PROCEDURE

1. CHECK SELF-DIAG RESULT

With CONSULT

1. Turn ignition switch ON.
2. Perform "AIR BAG" Self Diagnostic Result.

Without CONSULT

1. Turn ignition switch ON.
2. Check the air bag warning lamp status. Refer to [SRC-17, "Diagnosis with Air Bag Warning Lamp"](#).

NOTE:

SRS does not enter the diagnosis mode if no malfunction is detected in the user mode.

Is malfunctioning part detected?

- YES >> Refer to [SRC-103, "Diagnosis Procedure"](#).
NO >> INSPECTION END

Diagnosis Procedure

INFOID:000000007772280

WARNING:

- Before servicing, turn ignition switch OFF, disconnect battery negative terminal, and wait at least 3 minutes or more. (To discharge backup capacitor.)
- Never use unspecified tester or other measuring device.

1. CHECK HARNESS CONNECTOR

Check the harness connector.

Is the inspection result normal?

- YES >> GO TO 2.
NO >> Replace harness connector.

2. CHECK WIRING HARNESS

Check the wiring harness externals.

Is the inspection result normal?

- YES >> GO TO 3.
NO >> Replace wiring harness.

3. REPLACE SATELLITE SENSOR

1. Replace satellite sensor LH. Refer to [SR-23, "Exploded View"](#).
2. Perform DTC confirmation procedure. Refer to [SRC-103, "DTC Logic"](#).

Is DTC detected?

- YES >> GO TO 4.
NO >> INSPECTION END

B1120 SATELLITE SENSOR LH

< DTC/CIRCUIT DIAGNOSIS >

4. REPLACE AIR BAG DIAGNOSIS SENSOR UNIT

1. Replace air bag diagnosis sensor unit. Refer to [SR-25, "Exploded View"](#).
2. Perform DTC confirmation procedure. Refer to [SRC-103, "DTC Logic"](#).

Is DTC detected?

- YES >> GO TO 1.
NO >> INSPECTION END

B1121 SATELLITE SENSOR LH

< DTC/CIRCUIT DIAGNOSIS >

B1121 SATELLITE SENSOR LH

Description

INFOID:000000007772281

When air bag diagnosis sensor unit defines both signal voltage of the "G" sensor and the safing algorithm to be that of collision which is more than the specified level, the driving circuit switches on and feeds the electric ignitor of both the front side air bag and side curtain air bag.

DTC Logic

INFOID:000000007772282

DTC DETECTION LOGIC

DTC	Display contents of CONSULT	DTC detecting condition	Possible cause
B1121	SATELLITE SENS LH [UNMATCH]	Satellite sensor LH is out of the specified specification	Diagnosis sensor unit or crash zone sensor is different from the part specified

DTC CONFIRMATION PROCEDURE

1. CHECK SELF-DIAG RESULT

With CONSULT

1. Turn ignition switch ON.
2. Perform "AIR BAG" Self Diagnostic Result.

Without CONSULT

1. Turn ignition switch ON.
2. Check the air bag warning lamp status. Refer to [SRC-17, "Diagnosis with Air Bag Warning Lamp"](#).

NOTE:

SRS does not enter the diagnosis mode if no malfunction is detected in the user mode.

Is malfunctioning part detected?

- YES >> Refer to [SRC-105, "Diagnosis Procedure"](#).
NO >> INSPECTION END

Diagnosis Procedure

INFOID:000000007772283

WARNING:

- Before servicing, turn ignition switch OFF, disconnect battery negative terminal, and wait at least 3 minutes or more. (To discharge backup capacitor.)
- Never use unspecified tester or other measuring device.

1. CHECK HARNESS CONNECTOR

Check the harness connector.

Is the inspection result normal?

- YES >> GO TO 2.
NO >> Replace harness connector.

2. CHECK WIRING HARNESS

Check the wiring harness externals.

Is the inspection result normal?

- YES >> GO TO 3.
NO >> Replace wiring harness.

3. REPLACE SATELLITE SENSOR

1. Replace satellite sensor LH. Refer to [SR-23, "Exploded View"](#).
2. Perform DTC confirmation procedure. Refer to [SRC-105, "DTC Logic"](#).

Is DTC detected?

- YES >> GO TO 4.
NO >> INSPECTION END

4. REPLACE AIR BAG DIAGNOSIS SENSOR UNIT

A
B
C
D
E
F
G
I
J
K
L
M
N
O
P

SRC

B1121 SATELLITE SENSOR LH

< DTC/CIRCUIT DIAGNOSIS >

1. Replace air bag diagnosis sensor unit. Refer to [SR-25, "Exploded View"](#).
2. Perform DTC confirmation procedure. Refer to [SRC-105, "DTC Logic"](#).

Is DTC detected?

- YES >> GO TO 1.
NO >> INSPECTION END

B1122, B1123, B1124, B1125, B1126, B1127 DIAGNOSIS SENSOR UNIT

< DTC/CIRCUIT DIAGNOSIS >

B1122, B1123, B1124, B1125, B1126, B1127 DIAGNOSIS SENSOR UNIT

Description

INFOID:000000007772284

- It detects a shock that is more than the specified level and monitors whether the driver and passenger air bags, side air bag, curtain air bag, and pre-tensioner seat belts operate normally.
- It contains the "G" sensors for both frontal and side collisions and spare battery function in case of main battery damage in collision.

DTC Logic

INFOID:000000007772285

DTC DETECTION LOGIC

DTC	Display contents of CONSULT	DTC detecting condition	Possible cause
B1122 B1123 B1124 B1125 B1126 B1127	CONTROL UNIT	Air bag diagnosis sensor unit is malfunctioning	Malfunction in air bag diagnosis sensor unit

DTC CONFIRMATION PROCEDURE

1. CHECK SELF-DIAG RESULT

With CONSULT

1. Turn ignition switch ON.
2. Perform "AIR BAG" Self Diagnostic Result.

Without CONSULT

1. Turn ignition switch ON.
2. Check the air bag warning lamp status. Refer to [SRC-17, "Diagnosis with Air Bag Warning Lamp"](#).

NOTE:

SRS does not enter the diagnosis mode if no malfunction is detected in the user mode.

Is malfunctioning part detected?

YES >> Refer to [SRC-107, "Diagnosis Procedure"](#).

NO >> INSPECTION END

Diagnosis Procedure

INFOID:000000007772286

WARNING:

- Before servicing, turn ignition switch OFF, disconnect battery negative terminal, and wait at least 3 minutes or more. (To discharge backup capacitor.)
- Never use unspecified tester or other measuring device.

1. CHECK HARNESS CONNECTOR

Check the harness connector.

Is the inspection result normal?

YES >> GO TO 2.

NO >> Replace harness connectors.

2. CHECK WIRING HARNESS

Check the wiring harness externals.

Is the inspection result normal?

YES >> GO TO 3.

NO >> Replace wiring harness.

3. REPLACE AIR BAG DIAGNOSIS SENSOR UNIT

1. Replace air bag diagnosis sensor unit. Refer to [SR-25, "Exploded View"](#).
2. Perform DTC confirmation procedure. Refer to [SRC-107, "DTC Logic"](#).

B1122, B1123, B1124, B1125, B1126, B1127 DIAGNOSIS SENSOR UNIT

< DTC/CIRCUIT DIAGNOSIS >

Is DTC detected?

YES >> GO TO 1.

NO >> INSPECTION END

B1129 SIDE AIR BAG MODULE RH

< DTC/CIRCUIT DIAGNOSIS >

B1129 SIDE AIR BAG MODULE RH

Description

INFOID:000000007772287

In case of frontal collision where acceleration is more than the specified level, the ignition materials are ignited by electric ignition system. The system burns the gas generating materials resulting in a chemical reaction. This generates hot gases that flow into the air bag through a filter and expand the bag.

DTC Logic

INFOID:000000007772288

DTC DETECTION LOGIC

DTC	Display contents of CONSULT	DTC detecting condition	Possible cause
B1129	SIDE MODULE RH [OPEN]	Side air bag module RH circuit is open	<ul style="list-style-type: none">• Disconnection of wiring harness and open• Malfunction in side air bag module RH• Malfunction in air bag diagnosis sensor unit

DTC CONFIRMATION PROCEDURE

1. CHECK SELF-DIAG RESULT

With CONSULT

1. Turn ignition switch ON.
2. Perform "AIR BAG" Self Diagnostic Result.

Without CONSULT

1. Turn ignition switch ON.
2. Check the air bag warning lamp status. [SRC-17, "Diagnosis with Air Bag Warning Lamp"](#)

NOTE:

SRS does not enter the diagnosis mode if no malfunction is detected in the user mode.

Is malfunctioning part detected?

- YES >> Refer to [SRC-109, "Diagnosis Procedure"](#).
NO >> INSPECTION END

Diagnosis Procedure

INFOID:000000007772289

WARNING:

- Before servicing, turn ignition switch OFF, disconnect battery negative terminal, and wait at least 3 minutes or more. (To discharge backup capacitor.)
- Never use unspecified tester or other measuring device.

1. CHECK HARNESS CONNECTOR

Check the harness connector.

Is the inspection result normal?

- YES >> GO TO 2.
NO >> Replace harness connector.

2. CHECK WIRING HARNESS

Check the wiring harness externals.

Is the inspection result normal?

- YES >> GO TO 3.
NO >> Replace wiring harness.

3. REPLACE AIR BAG DIAGNOSIS SENSOR UNIT

1. Replace air bag diagnosis sensor unit. Refer to [SR-25, "Exploded View"](#).
2. Perform DTC confirmation procedure. Refer to [SRC-109, "DTC Logic"](#).

Is DTC detected?

- YES >> GO TO 4.
NO >> INSPECTION END

B1129 SIDE AIR BAG MODULE RH

< DTC/CIRCUIT DIAGNOSIS >

4. REPLACE SIDE AIR BAG MODULE

1. Replace side air bag module RH. Refer to [SE-15, "Exploded View"](#).
2. Perform DTC confirmation procedure. Refer to [SRC-109, "DTC Logic"](#).

Is DTC detected?

- YES >> GO TO 1.
NO >> INSPECTION END

B1130 SIDE AIR BAG MODULE RH

< DTC/CIRCUIT DIAGNOSIS >

B1130 SIDE AIR BAG MODULE RH

Description

INFOID:000000007772290

In case of frontal collision where acceleration is more than the specified level, the ignition materials are ignited by electric ignition system. The system burns the gas generating materials resulting in a chemical reaction. This generates hot gases that flow into the air bag through a filter and expand the bag.

DTC Logic

INFOID:000000007772291

DTC DETECTION LOGIC

DTC	Display contents of CONSULT	DTC detecting condition	Possible cause
B1130	SIDE MODULE RH [VB-SHORT]	Side air bag module RH circuit is shorted to power supply circuit	<ul style="list-style-type: none">• Disconnection of wiring harness and short• Malfunction in side air bag module RH• Malfunction in air bag diagnosis sensor unit

DTC CONFIRMATION PROCEDURE

1. CHECK SELF-DIAG RESULT

With CONSULT

1. Turn ignition switch ON.
2. Perform "AIR BAG" Self Diagnostic Result.

Without CONSULT

1. Turn ignition switch ON.
2. Check the air bag warning lamp status. Refer to [SRC-17, "Diagnosis with Air Bag Warning Lamp"](#).

NOTE:

SRS does not enter the diagnosis mode if no malfunction is detected in the user mode.

Is malfunctioning part detected?

- YES >> Refer to [SRC-111, "Diagnosis Procedure"](#).
NO >> INSPECTION END

Diagnosis Procedure

INFOID:000000007772292

WARNING:

- Before servicing, turn ignition switch OFF, disconnect battery negative terminal, and wait at least 3 minutes or more. (To discharge backup capacitor.)
- Never use unspecified tester or other measuring device.

1. CHECK HARNESS CONNECTOR

Check the harness connector.

Is the inspection result normal?

- YES >> GO TO 2.
NO >> Replace harness connector.

2. CHECK WIRING HARNESS

Check the wiring harness externals.

Is the inspection result normal?

- YES >> GO TO 3.
NO >> Replace wiring harness.

3. REPLACE AIR BAG DIAGNOSIS SENSOR UNIT

1. Replace air bag diagnosis sensor unit. Refer to [SR-25, "Exploded View"](#).
2. Perform DTC confirmation procedure. Refer to [SRC-111, "DTC Logic"](#).

Is DTC detected?

- YES >> GO TO 4.
NO >> INSPECTION END

B1130 SIDE AIR BAG MODULE RH

< DTC/CIRCUIT DIAGNOSIS >

4. REPLACE SIDE AIR BAG MODULE

1. Replace side air bag module RH. Refer to [SE-15, "Exploded View"](#).
2. Perform DTC confirmation procedure. Refer to [SRC-111, "DTC Logic"](#).

Is DTC detected?

- YES >> GO TO 1.
NO >> INSPECTION END

B1131 SIDE AIR BAG MODULE RH

< DTC/CIRCUIT DIAGNOSIS >

B1131 SIDE AIR BAG MODULE RH

Description

INFOID:000000007772293

In case of frontal collision where acceleration is more than the specified level, the ignition materials are ignited by electric ignition system. The system burns the gas generating materials resulting in a chemical reaction. This generates hot gases that flow into the air bag through a filter and expand the bag.

DTC Logic

INFOID:000000007772294

DTC DETECTION LOGIC

DTC	Display contents of CONSULT	DTC detecting condition	Possible cause
B1131	SIDE MODULE RH [GND-SHORT]	Side air bag module RH circuit is shorted to ground	<ul style="list-style-type: none">• Disconnection of wiring harness and short• Malfunction in side air bag module RH• Malfunction in air bag diagnosis sensor unit

DTC CONFIRMATION PROCEDURE

1. CHECK SELF-DIAG RESULT

With CONSULT

1. Turn ignition switch ON.
2. Perform "AIR BAG" Self Diagnostic Result.

Without CONSULT

1. Turn ignition switch ON.
2. Check the air bag warning lamp status. Refer to [SRC-17, "Diagnosis with Air Bag Warning Lamp"](#).

NOTE:

SRS does not enter the diagnosis mode if no malfunction is detected in the user mode.

Is malfunctioning part detected?

- YES >> Refer to [SRC-113, "Diagnosis Procedure"](#).
NO >> INSPECTION END

Diagnosis Procedure

INFOID:000000007772295

WARNING:

- Before servicing, turn ignition switch OFF, disconnect battery negative terminal, and wait at least 3 minutes or more. (To discharge backup capacitor.)
- Never use unspecified tester or other measuring device.

1. CHECK HARNESS CONNECTOR

Check the harness connector.

Is the inspection result normal?

- YES >> GO TO 2.
NO >> Replace harness connector.

2. CHECK WIRING HARNESS

Check the wiring harness externals.

Is the inspection result normal?

- YES >> GO TO 3.
NO >> Replace wiring harness.

3. REPLACE AIR BAG DIAGNOSIS SENSOR UNIT

1. Replace air bag diagnosis sensor unit. Refer to [SR-25, "Exploded View"](#).
2. Perform DTC confirmation procedure. Refer to [SRC-113, "DTC Logic"](#).

Is DTC detected?

- YES >> GO TO 4.
NO >> INSPECTION END

B1131 SIDE AIR BAG MODULE RH

< DTC/CIRCUIT DIAGNOSIS >

4. REPLACE SIDE AIR BAG MODULE

1. Replace side air bag module RH. Refer to [SE-15, "Exploded View"](#).
2. Perform DTC confirmation procedure. Refer to [SRC-113, "DTC Logic"](#).

Is DTC detected?

- YES >> GO TO 1.
NO >> INSPECTION END

B1132 SIDE AIR BAG MODULE RH

< DTC/CIRCUIT DIAGNOSIS >

B1132 SIDE AIR BAG MODULE RH

Description

INFOID:000000007772296

In case of frontal collision where acceleration is more than the specified level, the ignition materials are ignited by electric ignition system. The system burns the gas generating materials resulting in a chemical reaction. This generates hot gases that flow into the air bag through a filter and expand the bag.

DTC Logic

INFOID:000000007772297

DTC DETECTION LOGIC

DTC	Display contents of CONSULT	DTC detecting condition	Possible cause
B1132	SIDE MODULE RH [SHORT]	Side air bag module RH circuits are shorted to each other	<ul style="list-style-type: none">• Disconnection of wiring harness and short• Malfunction in side air bag module RH• Malfunction in air bag diagnosis sensor unit

DTC CONFIRMATION PROCEDURE

1. CHECK SELF-DIAG RESULT

With CONSULT

1. Turn ignition switch ON.
2. Perform "AIR BAG" Self Diagnostic Result.

Without CONSULT

1. Turn ignition switch ON.
2. Check the air bag warning lamp status. Refer to [SRC-17, "Diagnosis with Air Bag Warning Lamp"](#).

NOTE:

SRS does not enter the diagnosis mode if no malfunction is detected in the user mode.

Is malfunctioning part detected?

- YES >> Refer to [SRC-115, "Diagnosis Procedure"](#).
NO >> INSPECTION END

Diagnosis Procedure

INFOID:000000007772298

WARNING:

- Before servicing, turn ignition switch OFF, disconnect battery negative terminal, and wait at least 3 minutes or more. (To discharge backup capacitor.)
- Never use unspecified tester or other measuring device.

1. CHECK HARNESS CONNECTOR

Check the harness connector.

Is the inspection result normal?

- YES >> GO TO 2.
NO >> Replace harness connector.

2. CHECK WIRING HARNESS

Check the wiring harness externals.

Is the inspection result normal?

- YES >> GO TO 3.
NO >> Replace wiring harness.

3. REPLACE AIR BAG DIAGNOSIS SENSOR UNIT

1. Replace air bag diagnosis sensor unit. Refer to [SR-25, "Exploded View"](#).
2. Perform DTC confirmation procedure. Refer to [SRC-115, "DTC Logic"](#).

Is DTC detected?

- YES >> GO TO 4.
NO >> INSPECTION END

B1132 SIDE AIR BAG MODULE RH

< DTC/CIRCUIT DIAGNOSIS >

4. REPLACE SIDE AIR BAG MODULE

1. Replace side air bag module RH. Refer to [SE-15, "Exploded View"](#).
2. Perform DTC confirmation procedure. Refer to [SRC-115, "DTC Logic"](#).

Is DTC detected?

- YES >> GO TO 1.
NO >> INSPECTION END

B1134 SIDE AIR BAG MODULE LH

< DTC/CIRCUIT DIAGNOSIS >

B1134 SIDE AIR BAG MODULE LH

Description

INFOID:000000007772299

In case of frontal collision where acceleration is more than the specified level, the ignition materials are ignited by electric ignition system. The system burns the gas generating materials resulting in a chemical reaction. This generates hot gases that flow into the air bag through a filter and expand the bag.

DTC Logic

INFOID:000000007772300

DTC DETECTION LOGIC

DTC	Display contents of CONSULT	DTC detecting condition	Possible cause
B1134	SIDE MODULE LH [OPEN]	Side air bag module LH circuit is open	<ul style="list-style-type: none">• Disconnection of wiring harness and open• Malfunction in side air bag module LH• Malfunction in air bag diagnosis sensor unit

DTC CONFIRMATION PROCEDURE

1. CHECK SELF-DIAG RESULT

With CONSULT

1. Turn ignition switch ON.
2. Perform "AIR BAG" Self Diagnostic Result.

Without CONSULT

1. Turn ignition switch ON.
2. Check the air bag warning lamp status. Refer to [SRC-17, "Diagnosis with Air Bag Warning Lamp"](#).

NOTE:

SRS does not enter the diagnosis mode if no malfunction is detected in the user mode.

Is malfunctioning part detected?

- YES >> Refer to [SRC-117, "Diagnosis Procedure"](#).
NO >> INSPECTION END

Diagnosis Procedure

INFOID:000000007772301

WARNING:

- Before servicing, turn ignition switch OFF, disconnect battery negative terminal, and wait at least 3 minutes or more. (To discharge backup capacitor.)
- Never use unspecified tester or other measuring device.

1. CHECK HARNESS CONNECTOR

Check the harness connector.

Is the inspection result normal?

- YES >> GO TO 2.
NO >> Replace harness connector.

2. CHECK WIRING HARNESS

Check the wiring harness externals.

Is the inspection result normal?

- YES >> GO TO 3.
NO >> Replace wiring harness.

3. REPLACE AIR BAG DIAGNOSIS SENSOR UNIT

1. Replace air bag diagnosis sensor unit. Refer to [SR-25, "Exploded View"](#).
2. Perform DTC confirmation procedure. Refer to [SRC-117, "DTC Logic"](#).

Is DTC detected?

- YES >> GO TO 4.
NO >> INSPECTION END

B1134 SIDE AIR BAG MODULE LH

< DTC/CIRCUIT DIAGNOSIS >

4. REPLACE SIDE AIR BAG MODULE

1. Replace side air bag module LH. Refer to [SE-15, "Exploded View"](#).
2. Perform DTC confirmation procedure. Refer to [SRC-117, "DTC Logic"](#).

Is DTC detected?

- YES >> GO TO 1.
NO >> INSPECTION END

B1135 SIDE AIR BAG MODULE LH

< DTC/CIRCUIT DIAGNOSIS >

B1135 SIDE AIR BAG MODULE LH

Description

INFOID:000000007772302

In case of frontal collision where acceleration is more than the specified level, the ignition materials are ignited by electric ignition system. The system burns the gas generating materials resulting in a chemical reaction. This generates hot gases that flow into the air bag through a filter and expand the bag.

DTC Logic

INFOID:000000007772303

DTC DETECTION LOGIC

DTC	Display contents of CONSULT	DTC detecting condition	Possible cause
B1135	SIDE MODULE LH [VB-SHORT]	Side air bag module LH circuit is shorted to power supply circuit	<ul style="list-style-type: none">• Disconnection of wiring harness and short• Malfunction in side air bag module LH• Malfunction in air bag diagnosis sensor unit

DTC CONFIRMATION PROCEDURE

1. CHECK SELF-DIAG RESULT

With CONSULT

1. Turn ignition switch ON.
2. Perform "AIR BAG" Self Diagnostic Result.

Without CONSULT

1. Turn ignition switch ON.
2. Check the air bag warning lamp status. Refer to [SRC-17, "Diagnosis with Air Bag Warning Lamp"](#).

NOTE:

SRS does not enter the diagnosis mode if no malfunction is detected in the user mode.

Is malfunctioning part detected?

- YES >> Refer to [SRC-119, "Diagnosis Procedure"](#).
NO >> INSPECTION END

Diagnosis Procedure

INFOID:000000007772304

WARNING:

- Before servicing, turn ignition switch OFF, disconnect battery negative terminal, and wait at least 3 minutes or more. (To discharge backup capacitor.)
- Never use unspecified tester or other measuring device.

1. CHECK HARNESS CONNECTOR

Check the harness connector.

Is the inspection result normal?

- YES >> GO TO 2.
NO >> Replace harness connector.

2. CHECK WIRING HARNESS

Check the wiring harness externals.

Is the inspection result normal?

- YES >> GO TO 3.
NO >> Replace wiring harness.

3. REPLACE AIR BAG DIAGNOSIS SENSOR UNIT

1. Replace air bag diagnosis sensor unit. Refer to [SR-25, "Exploded View"](#).
2. Perform DTC confirmation procedure. Refer to [SRC-119, "DTC Logic"](#).

Is DTC detected?

- YES >> GO TO 4.
NO >> INSPECTION END

B1135 SIDE AIR BAG MODULE LH

< DTC/CIRCUIT DIAGNOSIS >

4. REPLACE SIDE AIR BAG MODULE

1. Replace side air bag module LH. Refer to [SE-15, "Exploded View"](#).
2. Perform DTC confirmation procedure. Refer to [SRC-119, "DTC Logic"](#).

Is DTC detected?

- YES >> GO TO 1.
NO >> INSPECTION END

B1136 SIDE AIR BAG MODULE LH

< DTC/CIRCUIT DIAGNOSIS >

B1136 SIDE AIR BAG MODULE LH

Description

INFOID:000000007772305

In case of frontal collision where acceleration is more than the specified level, the ignition materials are ignited by electric ignition system. The system burns the gas generating materials resulting in a chemical reaction. This generates hot gases that flow into the air bag through a filter and expand the bag.

DTC Logic

INFOID:000000007772306

DTC DETECTION LOGIC

DTC	Display contents of CONSULT	DTC detecting condition	Possible cause
B1136	SIDE MODULE LH [GND-SHORT]	Side air bag module LH circuit is shorted to ground	<ul style="list-style-type: none">Disconnection of wiring harness and shortMalfunction in side air bag module LHMalfunction in air bag diagnosis sensor unit

DTC CONFIRMATION PROCEDURE

1. CHECK SELF-DIAG RESULT

With CONSULT

- Turn ignition switch ON.
- Perform "AIR BAG" Self Diagnostic Result.

Without CONSULT

- Turn ignition switch ON.
- Check the air bag warning lamp status. Refer to [SRC-17, "Diagnosis with Air Bag Warning Lamp"](#).

NOTE:

SRS does not enter the diagnosis mode if no malfunction is detected in the user mode.

Is malfunctioning part detected?

- YES >> Refer to [SRC-121, "Diagnosis Procedure"](#).
NO >> INSPECTION END

Diagnosis Procedure

INFOID:000000007772307

WARNING:

- Before servicing, turn ignition switch OFF, disconnect battery negative terminal, and wait at least 3 minutes or more. (To discharge backup capacitor.)
- Never use unspecified tester or other measuring device.

1. CHECK HARNESS CONNECTOR

Check the harness connector.

Is the inspection result normal?

- YES >> GO TO 2.
NO >> Replace harness connector.

2. CHECK WIRING HARNESS

Check the wiring harness externals.

Is the inspection result normal?

- YES >> GO TO 3.
NO >> Replace wiring harness.

3. REPLACE AIR BAG DIAGNOSIS SENSOR UNIT

- Replace air bag diagnosis sensor unit. Refer to [SR-25, "Exploded View"](#).
- Perform DTC confirmation procedure. Refer to [SRC-121, "DTC Logic"](#).

Is DTC detected?

- YES >> GO TO 4.
NO >> INSPECTION END

B1136 SIDE AIR BAG MODULE LH

< DTC/CIRCUIT DIAGNOSIS >

4. REPLACE SIDE AIR BAG MODULE

1. Replace side air bag module LH. Refer to [SE-15, "Exploded View"](#).
2. Perform DTC confirmation procedure. Refer to [SRC-121, "DTC Logic"](#).

Is DTC detected?

- YES >> GO TO 1.
NO >> INSPECTION END

B1137 SIDE AIR BAG MODULE LH

< DTC/CIRCUIT DIAGNOSIS >

B1137 SIDE AIR BAG MODULE LH

Description

INFOID:000000007772308

In case of frontal collision where acceleration is more than the specified level, the ignition materials are ignited by electric ignition system. The system burns the gas generating materials resulting in a chemical reaction. This generates hot gases that flow into the air bag through a filter and expand the bag.

DTC Logic

INFOID:000000007772309

DTC DETECTION LOGIC

DTC	Display contents of CONSULT	DTC detecting condition	Possible cause
B1137	SIDE MODULE LH [SHORT]	Side air bag module LH circuits are shorted to each other	<ul style="list-style-type: none">• Disconnection of wiring harness and short• Malfunction in side air bag module LH• Malfunction in air bag diagnosis sensor unit

DTC CONFIRMATION PROCEDURE

1. CHECK SELF-DIAG RESULT

With CONSULT

1. Turn ignition switch ON.
2. Perform "AIR BAG" Self Diagnostic Result.

Without CONSULT

1. Turn ignition switch ON.
2. Check the air bag warning lamp status. Refer to [SRC-17, "Diagnosis with Air Bag Warning Lamp"](#).

NOTE:

SRS does not enter the diagnosis mode if no malfunction is detected in the user mode.

Is malfunctioning part detected?

- YES >> Refer to [SRC-123, "Diagnosis Procedure"](#).
NO >> INSPECTION END

Diagnosis Procedure

INFOID:000000007772310

WARNING:

- Before servicing, turn ignition switch OFF, disconnect battery negative terminal, and wait at least 3 minutes or more. (To discharge backup capacitor.)
- Never use unspecified tester or other measuring device.

1. CHECK HARNESS CONNECTOR

Check the harness connector.

Is the inspection result normal?

- YES >> GO TO 2.
NO >> Replace harness connector.

2. CHECK WIRING HARNESS

Check the wiring harness externals.

Is the inspection result normal?

- YES >> GO TO 3.
NO >> Replace wiring harness.

3. REPLACE AIR BAG DIAGNOSIS SENSOR UNIT

1. Replace air bag diagnosis sensor unit. Refer to [SR-25, "Exploded View"](#).
2. Perform DTC confirmation procedure. Refer to [SRC-123, "DTC Logic"](#).

Is DTC detected?

- YES >> GO TO 4.
NO >> INSPECTION END

B1137 SIDE AIR BAG MODULE LH

< DTC/CIRCUIT DIAGNOSIS >

4. REPLACE SIDE AIR BAG MODULE

1. Replace side air bag module LH. Refer to [SE-15, "Exploded View"](#).
2. Perform DTC confirmation procedure. Refer to [SRC-123, "DTC Logic"](#).

Is DTC detected?

- YES >> GO TO 1.
NO >> INSPECTION END

B1138, B1139, B1140, B1141, B1142, B1143 DIAGNOSIS SENSOR UNIT

< DTC/CIRCUIT DIAGNOSIS >

B1138, B1139, B1140, B1141, B1142, B1143 DIAGNOSIS SENSOR UNIT

Description

INFOID:000000007772311

- It detects a shock that is more than the specified level and monitors whether the driver and passenger air bags, side air bag, curtain air bag, and pre-tensioner seat belts operate normally.
- It contains the "G" sensors for both frontal and side collisions and spare battery function in case of main battery damage in collision.

DTC Logic

INFOID:000000007772312

DTC DETECTION LOGIC

DTC	Display contents of CONSULT	DTC detecting condition	Possible cause
B1138 B1139 B1140 B1141 B1142 B1143	CONTROL UNIT	Air bag diagnosis sensor unit is malfunctioning	Malfunction in air bag diagnosis sensor unit

DTC CONFIRMATION PROCEDURE

1. CHECK SELF-DIAG RESULT

With CONSULT

1. Turn ignition switch ON.
2. Perform "AIR BAG" Self Diagnostic Result.

Without CONSULT

1. Turn ignition switch ON.
2. Check the air bag warning lamp status. Refer to [SRC-17, "Diagnosis with Air Bag Warning Lamp"](#).

NOTE:

SRS does not enter the diagnosis mode if no malfunction is detected in the user mode.

Is malfunctioning part detected?

YES >> Refer to [SRC-125, "Diagnosis Procedure"](#).

NO >> INSPECTION END

Diagnosis Procedure

INFOID:000000007772313

WARNING:

- Before servicing, turn ignition switch OFF, disconnect battery negative terminal, and wait at least 3 minutes or more. (To discharge backup capacitor.)
- Never use unspecified tester or other measuring device.

1. CHECK HARNESS CONNECTOR

Check the harness connector.

Is the inspection result normal?

YES >> GO TO 2.

NO >> Replace harness connectors.

2. CHECK WIRING HARNESS

Check the wiring harness externals.

Is the inspection result normal?

YES >> GO TO 3.

NO >> Replace wiring harness.

3. REPLACE AIR BAG DIAGNOSIS SENSOR UNIT

1. Replace air bag diagnosis sensor unit. Refer to [SR-25, "Exploded View"](#).
2. Perform DTC confirmation procedure. Refer to [SRC-125, "DTC Logic"](#).

B1138, B1139, B1140, B1141, B1142, B1143 DIAGNOSIS SENSOR UNIT

< DTC/CIRCUIT DIAGNOSIS >

Is DTC detected?

YES >> GO TO 1.

NO >> INSPECTION END

B1144 DIAGNOSIS SENSOR UNIT

< DTC/CIRCUIT DIAGNOSIS >

B1144 DIAGNOSIS SENSOR UNIT

Description

INFOID:000000007772314

- It detects a shock that is more than the specified level and monitors whether the driver and passenger air bags, side air bag, curtain air bag, and pre-tensioner seat belts operate normally.
- It contains the "G" sensors for both frontal and side collisions and spare battery function in case of main battery damage in collision.

DTC Logic

INFOID:000000007772315

DTC DETECTION LOGIC

DTC	Display contents of CONSULT	DTC detecting condition	Possible cause
B1144	Diagnosis sensor unit	Air bag diagnosis sensor unit is malfunctioning or out of the specification	<ul style="list-style-type: none">• Malfunction in air bag diagnosis sensor unit• Configuration in air bag diagnosis sensor unit does not match the vehicles specification

DTC CONFIRMATION PROCEDURE

1.CHECK SELF-DIAG RESULT

With CONSULT

1. Turn ignition switch ON.
2. Perform "AIR BAG" Self Diagnostic Result.

Without CONSULT

1. Turn ignition switch ON.
2. Check the air bag warning lamp status. Refer to [SRC-17, "Diagnosis with Air Bag Warning Lamp"](#).

NOTE:

SRS does not enter the diagnosis mode if no malfunction is detected in the user mode.

Is malfunctioning part detected?

- YES >> Refer to [SRC-127, "Diagnosis Procedure"](#).
NO >> INSPECTION END

Diagnosis Procedure

INFOID:000000007772316

WARNING:

- **Before servicing, turn ignition switch OFF, disconnect battery negative terminal, and wait at least 3 minutes or more. (To discharge backup capacitor.)**
- **Never use unspecified tester or other measuring device.**

1.CHECK HARNESS CONNECTOR

Check the harness connector.

Is the inspection result normal?

- YES >> GO TO 2.
NO >> Replace harness connectors.

2.CHECK WIRING HARNESS

Check the wiring harness externals.

Is the inspection result normal?

- YES >> GO TO 3.
NO >> Replace wiring harness.

3.REPLACE AIR BAG DIAGNOSIS SENSOR UNIT

1. Replace air bag diagnosis sensor unit. Refer to [SR-25, "Exploded View"](#).
2. Perform DTC confirmation procedure. Refer to [SRC-127, "DTC Logic"](#).

Is DTC detected?

- YES >> GO TO 1.
NO >> INSPECTION END

B1145 CURTAIN AIR BAG MODULE RH

< DTC/CIRCUIT DIAGNOSIS >

B1145 CURTAIN AIR BAG MODULE RH

Description

INFOID:000000007772317

In case of frontal collision where acceleration is more than the specified level, the ignition materials are ignited by electric ignition system. The system burns the gas generating materials resulting in a chemical reaction. This generates hot gases that flow into the air bag through a filter and expand the bag.

DTC Logic

INFOID:000000007772318

DTC DETECTION LOGIC

DTC	Display contents of CONSULT	DTC detecting condition	Possible cause
B1145	CURTAIN MODULE RH [OPEN]	Curtain air bag module RH circuit is open	<ul style="list-style-type: none">• Disconnection of wiring harness and open• Malfunction in side curtain air bag module RH• Malfunction in air bag diagnosis sensor unit

DTC CONFIRMATION PROCEDURE

1. CHECK SELF-DIAG RESULT

With CONSULT

1. Turn ignition switch ON.
2. Perform "AIR BAG" Self Diagnostic Result.

Without CONSULT

1. Turn ignition switch ON.
2. Check the air bag warning lamp status. Refer to [SRC-17, "Diagnosis with Air Bag Warning Lamp"](#).

NOTE:

SRS does not enter the diagnosis mode if no malfunction is detected in the user mode.

Is malfunctioning part detected?

- YES >> Refer to [SRC-128, "Diagnosis Procedure"](#).
NO >> INSPECTION END

Diagnosis Procedure

INFOID:000000007772319

WARNING:

- Before servicing, turn ignition switch OFF, disconnect battery negative terminal, and wait at least 3 minutes or more. (To discharge backup capacitor.)
- Never use unspecified tester or other measuring device.

1. CHECK HARNESS CONNECTOR

Check the harness connector.

Is the inspection result normal?

- YES >> GO TO 2.
NO >> Replace harness connector.

2. CHECK WIRING HARNESS

Check the wiring harness externals.

Is the inspection result normal?

- YES >> GO TO 3.
NO >> Replace wiring harness.

3. REPLACE AIR BAG DIAGNOSIS SENSOR UNIT

1. Replace air bag diagnosis sensor unit. Refer to [SR-25, "Exploded View"](#).
2. Perform DTC confirmation procedure. Refer to [SRC-128, "DTC Logic"](#).

Is DTC detected?

- YES >> GO TO 4.
NO >> INSPECTION END

B1145 CURTAIN AIR BAG MODULE RH

< DTC/CIRCUIT DIAGNOSIS >

4. REPLACE CURTAIN AIR BAG MODULE

1. Replace curtain air bag module RH. Refer to [SR-19, "Exploded View"](#)
2. Perform DTC confirmation procedure. Refer to [SRC-128, "DTC Logic"](#).

Is DTC detected?

YES >> GO TO 1.
NO >> INSPECTION END

A
B
C
D
E
F
G
I
J
K
L
M
N
O
P

SRC

B1146 CURTAIN AIR BAG MODULE RH

< DTC/CIRCUIT DIAGNOSIS >

B1146 CURTAIN AIR BAG MODULE RH

Description

INFOID:000000007772320

In case of frontal collision where acceleration is more than the specified level, the ignition materials are ignited by electric ignition system. The system burns the gas generating materials resulting in a chemical reaction. This generates hot gases that flow into the air bag through a filter and expand the bag.

DTC Logic

INFOID:000000007772321

DTC DETECTION LOGIC

DTC	Display contents of CONSULT	DTC detecting condition	Possible cause
B1146	CURTAIN MODULE RH [VB-SHORT]	Curtain air bag module RH circuit is shorted to power supply circuit	<ul style="list-style-type: none">• Disconnection of wiring harness and short• Malfunction in curtain air bag module RH• Malfunction in air bag diagnosis sensor unit

DTC CONFIRMATION PROCEDURE

1. CHECK SELF-DIAG RESULT

With CONSULT

1. Turn ignition switch ON.
2. Perform "AIR BAG" Self Diagnostic Result.

Without CONSULT

1. Turn ignition switch ON.
2. Check the air bag warning lamp status. Refer to [SRC-17, "Diagnosis with Air Bag Warning Lamp"](#).

NOTE:

SRS does not enter the diagnosis mode if no malfunction is detected in the user mode.

Is malfunctioning part detected?

- YES >> Refer to [SRC-130, "Diagnosis Procedure"](#).
NO >> INSPECTION END

Diagnosis Procedure

INFOID:000000007772322

WARNING:

- Before servicing, turn ignition switch OFF, disconnect battery negative terminal, and wait at least 3 minutes or more. (To discharge backup capacitor.)
- Never use unspecified tester or other measuring device.

1. CHECK HARNESS CONNECTOR

Check the harness connector.

Is the inspection result normal?

- YES >> GO TO 2.
NO >> Replace harness connector.

2. CHECK WIRING HARNESS

Check the wiring harness externals.

Is the inspection result normal?

- YES >> GO TO 3.
NO >> Replace wiring harness.

3. REPLACE AIR BAG DIAGNOSIS SENSOR UNIT

1. Replace air bag diagnosis sensor unit. Refer to [SR-25, "Exploded View"](#).
2. Perform DTC confirmation procedure. Refer to [SRC-130, "DTC Logic"](#).

Is DTC detected?

- YES >> GO TO 4.
NO >> INSPECTION END

B1146 CURTAIN AIR BAG MODULE RH

< DTC/CIRCUIT DIAGNOSIS >

4. REPLACE CURTAIN AIR BAG MODULE

1. Replace curtain air bag module RH. Refer to [SR-19, "Exploded View"](#)
2. Perform DTC confirmation procedure. Refer to [SRC-130, "DTC Logic"](#).

Is DTC detected?

YES >> GO TO 1.
NO >> INSPECTION END

A
B
C
D
E
F
G
I
J
K
L
M
N
O
P

SRC

B1147 CURTAIN AIR BAG MODULE RH

< DTC/CIRCUIT DIAGNOSIS >

B1147 CURTAIN AIR BAG MODULE RH

Description

INFOID:000000007772323

In case of frontal collision where acceleration is more than the specified level, the ignition materials are ignited by electric ignition system. The system burns the gas generating materials resulting in a chemical reaction. This generates hot gases that flow into the air bag through a filter and expand the bag.

DTC Logic

INFOID:000000007772324

DTC DETECTION LOGIC

DTC	Display contents of CONSULT	DTC detecting condition	Possible cause
B1147	CURTAIN MODULE RH [GND-SHORT]	Curtain air bag module RH circuit is shorted to ground	<ul style="list-style-type: none">• Disconnection of wiring harness and short• Malfunction in curtain air bag module RH• Malfunction in air bag diagnosis sensor unit

DTC CONFIRMATION PROCEDURE

1. CHECK SELF-DIAG RESULT

With CONSULT

1. Turn ignition switch ON.
2. Perform "AIR BAG" Self Diagnostic Result.

Without CONSULT

1. Turn ignition switch ON.
2. Check the air bag warning lamp status. Refer to [SRC-17, "Diagnosis with Air Bag Warning Lamp"](#).

NOTE:

SRS does not enter the diagnosis mode if no malfunction is detected in the user mode.

Is malfunctioning part detected?

- YES >> Refer to [SRC-132, "Diagnosis Procedure"](#).
NO >> INSPECTION END

Diagnosis Procedure

INFOID:000000007772325

WARNING:

- Before servicing, turn ignition switch OFF, disconnect battery negative terminal, and wait at least 3 minutes or more. (To discharge backup capacitor.)
- Never use unspecified tester or other measuring device.

1. CHECK HARNESS CONNECTOR

Check the harness connector.

Is the inspection result normal?

- YES >> GO TO 2.
NO >> Replace harness connector.

2. CHECK WIRING HARNESS

Check the wiring harness externals.

Is the inspection result normal?

- YES >> GO TO 3.
NO >> Replace wiring harness.

3. REPLACE AIR BAG DIAGNOSIS SENSOR UNIT

1. Replace air bag diagnosis sensor unit. Refer to [SR-25, "Exploded View"](#).
2. Perform DTC confirmation procedure. Refer to [SRC-132, "DTC Logic"](#).

Is DTC detected?

- YES >> GO TO 4.
NO >> INSPECTION END

B1147 CURTAIN AIR BAG MODULE RH

< DTC/CIRCUIT DIAGNOSIS >

4. REPLACE CURTAIN AIR BAG MODULE

1. Replace curtain air bag module RH. Refer to [SR-19, "Exploded View"](#)
2. Perform DTC confirmation procedure. Refer to [SRC-132, "DTC Logic"](#).

Is DTC detected?

YES >> GO TO 1.
NO >> INSPECTION END

A
B
C
D
E
F
G
I
J
K
L
M
N
O
P

SRC

B1148 CURTAIN AIR BAG MODULE RH

< DTC/CIRCUIT DIAGNOSIS >

B1148 CURTAIN AIR BAG MODULE RH

Description

INFOID:000000007772326

In case of frontal collision where acceleration is more than the specified level, the ignition materials are ignited by electric ignition system. The system burns the gas generating materials resulting in a chemical reaction. This generates hot gases that flow into the air bag through a filter and expand the bag.

DTC Logic

INFOID:000000007772327

DTC DETECTION LOGIC

DTC	Display contents of CONSULT	DTC detecting condition	Possible cause
B1148	CURTAIN MODULE RH [SHORT]	Curtain air bag module RH circuits are shorted to each other	<ul style="list-style-type: none">• Disconnection of wiring harness and short• Malfunction in curtain air bag module RH• Malfunction in air bag diagnosis sensor unit

DTC CONFIRMATION PROCEDURE

1. CHECK SELF-DIAG RESULT

With CONSULT

1. Turn ignition switch ON.
2. Perform "AIR BAG" Self Diagnostic Result.

Without CONSULT

1. Turn ignition switch ON.
2. Check the air bag warning lamp status. Refer to [SRC-17, "Diagnosis with Air Bag Warning Lamp"](#).

NOTE:

SRS does not enter the diagnosis mode if no malfunction is detected in the user mode.

Is malfunctioning part detected?

- YES >> Refer to [SRC-134, "Diagnosis Procedure"](#).
NO >> INSPECTION END

Diagnosis Procedure

INFOID:000000007772328

WARNING:

- Before servicing, turn ignition switch OFF, disconnect battery negative terminal, and wait at least 3 minutes or more. (To discharge backup capacitor.)
- Never use unspecified tester or other measuring device.

1. CHECK HARNESS CONNECTOR

Check the harness connector.

Is the inspection result normal?

- YES >> GO TO 2.
NO >> Replace harness connector.

2. CHECK WIRING HARNESS

Check the wiring harness externals.

Is the inspection result normal?

- YES >> GO TO 3.
NO >> Replace wiring harness.

3. REPLACE AIR BAG DIAGNOSIS SENSOR UNIT

1. Replace air bag diagnosis sensor unit. Refer to [SR-25, "Exploded View"](#).
2. Perform DTC confirmation procedure. Refer to [SRC-134, "DTC Logic"](#).

Is DTC detected?

- YES >> GO TO 4.
NO >> INSPECTION END

B1148 CURTAIN AIR BAG MODULE RH

< DTC/CIRCUIT DIAGNOSIS >

4. REPLACE CURTAIN AIR BAG MODULE

1. Replace curtain air bag module RH. Refer to [SR-19, "Exploded View"](#)
2. Perform DTC confirmation procedure. Refer to [SRC-134, "DTC Logic"](#).

Is DTC detected?

YES >> GO TO 1.
NO >> INSPECTION END

A
B
C
D
E
F
G
I
J
K
L
M
N
O
P

SRC

B1150 CURTAIN AIR BAG MODULE LH

< DTC/CIRCUIT DIAGNOSIS >

B1150 CURTAIN AIR BAG MODULE LH

Description

INFOID:000000007772329

In case of frontal collision where acceleration is more than the specified level, the ignition materials are ignited by electric ignition system. The system burns the gas generating materials resulting in a chemical reaction. This generates hot gases that flow into the air bag through a filter and expand the bag.

DTC Logic

INFOID:000000007772330

DTC DETECTION LOGIC

DTC	Display contents of CONSULT	DTC detecting condition	Possible cause
B1150	CURTAIN MODULE LH [OPEN]	Curtain air bag module LH circuit is open	<ul style="list-style-type: none">• Disconnection of wiring harness and open• Malfunction in curtain air bag module LH• Malfunction in air bag diagnosis sensor unit

DTC CONFIRMATION PROCEDURE

1. CHECK SELF-DIAG RESULT

With CONSULT

1. Turn ignition switch ON.
2. Perform "AIR BAG" Self Diagnostic Result.

Without CONSULT

1. Turn ignition switch ON.
2. Check the air bag warning lamp status. Refer to [SRC-17, "Diagnosis with Air Bag Warning Lamp"](#).

NOTE:

SRS does not enter the diagnosis mode if no malfunction is detected in the user mode.

Is malfunctioning part detected?

- YES >> Refer to [SRC-136, "Diagnosis Procedure"](#).
NO >> INSPECTION END

Diagnosis Procedure

INFOID:000000007772331

WARNING:

- Before servicing, turn ignition switch OFF, disconnect battery negative terminal, and wait at least 3 minutes or more. (To discharge backup capacitor.)
- Never use unspecified tester or other measuring device.

1. CHECK HARNESS CONNECTOR

Check the harness connector.

Is the inspection result normal?

- YES >> GO TO 2.
NO >> Replace harness connector.

2. CHECK WIRING HARNESS

Check the wiring harness externals.

Is the inspection result normal?

- YES >> GO TO 3.
NO >> Replace wiring harness.

3. REPLACE AIR BAG DIAGNOSIS SENSOR UNIT

1. Replace air bag diagnosis sensor unit. Refer to [SR-25, "Exploded View"](#).
2. Perform DTC confirmation procedure. Refer to [SRC-136, "DTC Logic"](#).

Is DTC detected?

- YES >> GO TO 4.
NO >> INSPECTION END

B1150 CURTAIN AIR BAG MODULE LH

< DTC/CIRCUIT DIAGNOSIS >

4. REPLACE CURTAIN AIR BAG MODULE

1. Replace curtain air bag module LH. Refer to [SR-19, "Exploded View"](#)
2. Perform DTC confirmation procedure. Refer to [SRC-136, "DTC Logic"](#).

Is DTC detected?

YES >> GO TO 1.
NO >> INSPECTION END

A
B
C
D
E
F
G
I
J
K
L
M
N
O
P

SRC

B1151 CURTAIN AIR BAG MODULE LH

< DTC/CIRCUIT DIAGNOSIS >

B1151 CURTAIN AIR BAG MODULE LH

Description

INFOID:000000007772332

In case of frontal collision where acceleration is more than the specified level, the ignition materials are ignited by electric ignition system. The system burns the gas generating materials resulting in a chemical reaction. This generates hot gases that flow into the air bag through a filter and expand the bag.

DTC Logic

INFOID:000000007772333

DTC DETECTION LOGIC

DTC	Display contents of CONSULT	DTC detecting condition	Possible cause
B1151	CURTAIN MODULE LH [VB-SHORT]	Curtain air bag module LH circuit is shorted to power supply circuit	<ul style="list-style-type: none">• Disconnection of wiring harness and short• Malfunction in curtain air bag module LH• Malfunction in air bag diagnosis sensor unit

DTC CONFIRMATION PROCEDURE

1. CHECK SELF-DIAG RESULT

With CONSULT

1. Turn ignition switch ON.
2. Perform "AIR BAG" Self Diagnostic Result.

Without CONSULT

1. Turn ignition switch ON.
2. Check the air bag warning lamp status. Refer to [SRC-17, "Diagnosis with Air Bag Warning Lamp"](#).

NOTE:

SRS does not enter the diagnosis mode if no malfunction is detected in the user mode.

Is malfunctioning part detected?

- YES >> Refer to [SRC-138, "Diagnosis Procedure"](#).
NO >> INSPECTION END

Diagnosis Procedure

INFOID:000000007772334

WARNING:

- Before servicing, turn ignition switch OFF, disconnect battery negative terminal, and wait at least 3 minutes or more. (To discharge backup capacitor.)
- Never use unspecified tester or other measuring device.

1. CHECK HARNESS CONNECTOR

Check the harness connector.

Is the inspection result normal?

- YES >> GO TO 2.
NO >> Replace harness connector.

2. CHECK WIRING HARNESS

Check the wiring harness externals.

Is the inspection result normal?

- YES >> GO TO 3.
NO >> Replace wiring harness.

3. REPLACE AIR BAG DIAGNOSIS SENSOR UNIT

1. Replace air bag diagnosis sensor unit. Refer to [SR-25, "Exploded View"](#).
2. Perform DTC confirmation procedure. Refer to [SRC-138, "DTC Logic"](#).

Is DTC detected?

- YES >> GO TO 4.
NO >> INSPECTION END

B1151 CURTAIN AIR BAG MODULE LH

< DTC/CIRCUIT DIAGNOSIS >

4.REPLACE CURTAIN AIR BAG MODULE

1. Replace curtain air bag module LH. Refer to [SR-19, "Exploded View"](#)
2. Perform DTC confirmation procedure. Refer to [SRC-138, "DTC Logic"](#).

Is DTC detected?

YES >> GO TO 1.
NO >> INSPECTION END

A
B
C
D
E
F
G
I
J
K
L
M
N
O
P

SRC

B1152 CURTAIN AIR BAG MODULE LH

< DTC/CIRCUIT DIAGNOSIS >

B1152 CURTAIN AIR BAG MODULE LH

Description

INFOID:000000007772335

In case of frontal collision where acceleration is more than the specified level, the ignition materials are ignited by electric ignition system. The system burns the gas generating materials resulting in a chemical reaction. This generates hot gases that flow into the air bag through a filter and expand the bag.

DTC Logic

INFOID:000000007772336

DTC DETECTION LOGIC

DTC	Display contents of CONSULT	DTC detecting condition	Possible cause
B1152	CURTAIN MODULE LH [GND-SHORT]	Curtain air bag module LH circuit is shorted to ground	<ul style="list-style-type: none">• Disconnection of wiring harness and short• Malfunction in curtain air bag module LH• Malfunction in air bag diagnosis sensor unit

DTC CONFIRMATION PROCEDURE

1. CHECK SELF-DIAG RESULT

With CONSULT

1. Turn ignition switch ON.
2. Perform "AIR BAG" Self Diagnostic Result.

Without CONSULT

1. Turn ignition switch ON.
2. Check the air bag warning lamp status. Refer to [SRC-17, "Diagnosis with Air Bag Warning Lamp"](#).

NOTE:

SRS does not enter the diagnosis mode if no malfunction is detected in the user mode.

Is malfunctioning part detected?

- YES >> Refer to [SRC-140, "Diagnosis Procedure"](#).
NO >> INSPECTION END

Diagnosis Procedure

INFOID:000000007772337

WARNING:

- Before servicing, turn ignition switch OFF, disconnect battery negative terminal, and wait at least 3 minutes or more. (To discharge backup capacitor.)
- Never use unspecified tester or other measuring device.

1. CHECK HARNESS CONNECTOR

Check the harness connector.

Is the inspection result normal?

- YES >> GO TO 2.
NO >> Replace harness connector.

2. CHECK WIRING HARNESS

Check the wiring harness externals.

Is the inspection result normal?

- YES >> GO TO 3.
NO >> Replace wiring harness.

3. REPLACE AIR BAG DIAGNOSIS SENSOR UNIT

1. Replace air bag diagnosis sensor unit. Refer to [SR-25, "Exploded View"](#).
2. Perform DTC confirmation procedure. Refer to [SRC-140, "DTC Logic"](#).

Is DTC detected?

- YES >> GO TO 4.
NO >> INSPECTION END

B1152 CURTAIN AIR BAG MODULE LH

< DTC/CIRCUIT DIAGNOSIS >

4. REPLACE CURTAIN AIR BAG MODULE

1. Replace curtain air bag module LH. Refer to [SR-19, "Exploded View"](#)
2. Perform DTC confirmation procedure. Refer to [SRC-140, "DTC Logic"](#).

Is DTC detected?

YES >> GO TO 1.
NO >> INSPECTION END

A
B
C
D
E
F
G
I
J
K
L
M
N
O
P

SRC

B1153 CURTAIN AIR BAG MODULE LH

< DTC/CIRCUIT DIAGNOSIS >

B1153 CURTAIN AIR BAG MODULE LH

Description

INFOID:000000007772338

In case of frontal collision where acceleration is more than the specified level, the ignition materials are ignited by electric ignition system. The system burns the gas generating materials resulting in a chemical reaction. This generates hot gases that flow into the air bag through a filter and expand the bag.

DTC Logic

INFOID:000000007772339

DTC DETECTION LOGIC

DTC	Display contents of CONSULT	DTC detecting condition	Possible cause
B1153	CURTAIN MODULE LH [SHORT]	Curtain air bag module LH circuits are shorted to each other	<ul style="list-style-type: none">• Disconnection of wiring harness and short• Malfunction in curtain air bag module LH• Malfunction in air bag diagnosis sensor unit

DTC CONFIRMATION PROCEDURE

1. CHECK SELF-DIAG RESULT

With CONSULT

1. Turn ignition switch ON.
2. Perform "AIR BAG" Self Diagnostic Result.

Without CONSULT

1. Turn ignition switch ON.
2. Check the air bag warning lamp status. Refer to [SRC-17, "Diagnosis with Air Bag Warning Lamp"](#).

NOTE:

SRS does not enter the diagnosis mode if no malfunction is detected in the user mode.

Is malfunctioning part detected?

- YES >> Refer to [SRC-142, "Diagnosis Procedure"](#).
NO >> INSPECTION END

Diagnosis Procedure

INFOID:000000007772340

WARNING:

- Before servicing, turn ignition switch OFF, disconnect battery negative terminal, and wait at least 3 minutes or more. (To discharge backup capacitor.)
- Never use unspecified tester or other measuring device.

1. CHECK HARNESS CONNECTOR

Check the harness connector.

Is the inspection result normal?

- YES >> GO TO 2.
NO >> Replace harness connector.

2. CHECK WIRING HARNESS

Check the wiring harness externals.

Is the inspection result normal?

- YES >> GO TO 3.
NO >> Replace wiring harness.

3. REPLACE AIR BAG DIAGNOSIS SENSOR UNIT

1. Replace air bag diagnosis sensor unit. Refer to [SR-25, "Exploded View"](#).
2. Perform DTC confirmation procedure. Refer to [SRC-142, "DTC Logic"](#).

Is DTC detected?

- YES >> GO TO 4.
NO >> INSPECTION END

B1153 CURTAIN AIR BAG MODULE LH

< DTC/CIRCUIT DIAGNOSIS >

4.REPLACE CURTAIN AIR BAG MODULE

1. Replace curtain air bag module LH. Refer to [SR-19, "Exploded View"](#)
2. Perform DTC confirmation procedure. Refer to [SRC-142, "DTC Logic"](#).

Is DTC detected?

YES >> GO TO 1.
NO >> INSPECTION END

A
B
C
D
E
F
G
I
J
K
L
M
N
O
P

SRC

B1154, B1155, B1156, B1157, B1158, B1159 DIAGNOSIS SENSOR UNIT

< DTC/CIRCUIT DIAGNOSIS >

B1154, B1155, B1156, B1157, B1158, B1159 DIAGNOSIS SENSOR UNIT

Description

INFOID:000000007772341

- It detects a shock that is more than the specified level and monitors whether the driver and passenger air bags, side air bag, curtain air bag, and pre-tensioner seat belts operate normally.
- It contains the "G" sensors for both frontal and side collisions and spare battery function in case of main battery damage in collision.

DTC Logic

INFOID:000000007772342

DTC DETECTION LOGIC

DTC	Display contents of CONSULT	DTC detecting condition	Possible cause
B1154 B1155 B1156 B1157 B1158 B1159	CONTROL UNIT	Air bag diagnosis sensor unit is malfunctioning	Malfunction in air bag diagnosis sensor unit

DTC CONFIRMATION PROCEDURE

1. CHECK SELF-DIAG RESULT

With CONSULT

1. Turn ignition switch ON.
2. Perform "AIR BAG" Self Diagnostic Result.

Without CONSULT

1. Turn ignition switch ON.
2. Check the air bag warning lamp status. Refer to [SRC-17, "Diagnosis with Air Bag Warning Lamp"](#).

NOTE:

SRS does not enter the diagnosis mode if no malfunction is detected in the user mode.

Is malfunctioning part detected?

YES >> Refer to [SRC-144, "Diagnosis Procedure"](#).

NO >> INSPECTION END

Diagnosis Procedure

INFOID:000000007772343

WARNING:

- Before servicing, turn ignition switch OFF, disconnect battery negative terminal, and wait at least 3 minutes or more. (To discharge backup capacitor.)
- Never use unspecified tester or other measuring device.

1. CHECK HARNESS CONNECTOR

Check the harness connector.

Is the inspection result normal?

YES >> GO TO 2.

NO >> Replace harness connectors.

2. CHECK WIRING HARNESS

Check the wiring harness externals.

Is the inspection result normal?

YES >> GO TO 3.

NO >> Replace wiring harness.

3. REPLACE AIR BAG DIAGNOSIS SENSOR UNIT

1. Replace air bag diagnosis sensor unit. Refer to [SR-25, "Exploded View"](#).
2. Perform DTC confirmation procedure. Refer to [SRC-144, "DTC Logic"](#).

B1154, B1155, B1156, B1157, B1158, B1159 DIAGNOSIS SENSOR UNIT

< DTC/CIRCUIT DIAGNOSIS >

Is DTC detected?

YES >> GO TO 1.

NO >> INSPECTION END

A

B

C

D

E

F

G

SRC

I

J

K

L

M

N

O

P

B1170, B1171, B1172, B1173, B1174, B1175 DIAGNOSIS SENSOR UNIT

< DTC/CIRCUIT DIAGNOSIS >

B1170, B1171, B1172, B1173, B1174, B1175 DIAGNOSIS SENSOR UNIT

Description

INFOID:000000007772344

- It detects a shock that is more than the specified level and monitors whether the driver and passenger air bags, side air bag, curtain air bag, and pre-tensioner seat belts operate normally.
- It contains the "G" sensors for both frontal and side collisions and spare battery function in case of main battery damage in collision.

DTC Logic

INFOID:000000007772345

DTC DETECTION LOGIC

DTC	Display contents of CONSULT	DTC detecting condition	Possible cause
B1170 B1171 B1172 B1173 B1174 B1175	CONTROL UNIT	Air bag diagnosis sensor unit is malfunctioning	Malfunction in air bag diagnosis sensor unit

DTC CONFIRMATION PROCEDURE

1. CHECK SELF-DIAG RESULT

With CONSULT

1. Turn ignition switch ON.
2. Perform "AIR BAG" Self Diagnostic Result.

Without CONSULT

1. Turn ignition switch ON.
2. Check the air bag warning lamp status. Refer to [SRC-17, "Diagnosis with Air Bag Warning Lamp"](#).

NOTE:

SRS does not enter the diagnosis mode if no malfunction is detected in the user mode.

Is malfunctioning part detected?

- YES >> Refer to [SRC-146, "Diagnosis Procedure"](#).
NO >> INSPECTION END

Diagnosis Procedure

INFOID:000000007772346

WARNING:

- Before servicing, turn ignition switch OFF, disconnect battery negative terminal, and wait at least 3 minutes or more. (To discharge backup capacitor.)
- Never use unspecified tester or other measuring device.

1. CHECK HARNESS CONNECTOR

Check the harness connector.

Is the inspection result normal?

- YES >> GO TO 2.
NO >> Replace harness connectors.

2. CHECK WIRING HARNESS

Check the wiring harness externals.

Is the inspection result normal?

- YES >> GO TO 3.
NO >> Replace wiring harness.

3. REPLACE AIR BAG DIAGNOSIS SENSOR UNIT

1. Replace air bag diagnosis sensor unit. Refer to [SR-25, "Exploded View"](#).
2. Perform DTC confirmation procedure. Refer to [SRC-146, "DTC Logic"](#).

B1170, B1171, B1172, B1173, B1174, B1175 DIAGNOSIS SENSOR UNIT

< DTC/CIRCUIT DIAGNOSIS >

Is DTC detected?

YES >> GO TO 1.

NO >> INSPECTION END

A

B

C

D

E

F

G

SRC

I

J

K

L

M

N

O

P

B1186, B1187, B1188, B1189, B1190, B1191 DIAGNOSIS SENSOR UNIT

< DTC/CIRCUIT DIAGNOSIS >

B1186, B1187, B1188, B1189, B1190, B1191 DIAGNOSIS SENSOR UNIT

Description

INFOID:000000007772347

- It detects a shock that is more than the specified level and monitors whether the driver and passenger air bags, side air bag, curtain air bag, and pre-tensioner seat belts operate normally.
- It contains the "G" sensors for both frontal and side collisions and spare battery function in case of main battery damage in collision.

DTC Logic

INFOID:000000007772348

DTC DETECTION LOGIC

DTC	Display contents of CONSULT	DTC detecting condition	Possible cause
B1186 B1187 B1188 B1189 B1190 B1191	CONTROL UNIT	Air bag diagnosis sensor unit is malfunctioning	Malfunction in air bag diagnosis sensor unit

DTC CONFIRMATION PROCEDURE

1.CHECK SELF-DIAG RESULT

With CONSULT

1. Turn ignition switch ON.
2. Perform "AIR BAG" Self Diagnostic Result.

Without CONSULT

1. Turn ignition switch ON.
2. Check the air bag warning lamp status. Refer to [SRC-17, "Diagnosis with Air Bag Warning Lamp"](#).

NOTE:

SRS does not enter the diagnosis mode if no malfunction is detected in the user mode.

Is malfunctioning part detected?

YES >> Refer to [SRC-148, "Diagnosis Procedure"](#).

NO >> INSPECTION END

Diagnosis Procedure

INFOID:000000007772349

WARNING:

- Before servicing, turn ignition switch OFF, disconnect battery negative terminal, and wait at least 3 minutes or more. (To discharge backup capacitor.)
- Never use unspecified tester or other measuring device.

1.CHECK HARNESS CONNECTOR

Check the harness connector.

Is the inspection result normal?

YES >> GO TO 2.

NO >> Replace harness connectors.

2.CHECK WIRING HARNESS

Check the wiring harness externals.

Is the inspection result normal?

YES >> GO TO 3.

NO >> Replace wiring harness.

3.REPLACE AIR BAG DIAGNOSIS SENSOR UNIT

1. Replace air bag diagnosis sensor unit. Refer to [SR-25, "Exploded View"](#).
2. Perform DTC confirmation procedure. Refer to [SRC-148, "DTC Logic"](#).

B1186, B1187, B1188, B1189, B1190, B1191 DIAGNOSIS SENSOR UNIT

< DTC/CIRCUIT DIAGNOSIS >

Is DTC detected?

YES >> GO TO 1.

NO >> INSPECTION END

A

B

C

D

E

F

G

SRC

I

J

K

L

M

N

O

P

B1202, B1203, B1204, B1205, B1206, B1207 DIAGNOSIS SENSOR UNIT

< DTC/CIRCUIT DIAGNOSIS >

B1202, B1203, B1204, B1205, B1206, B1207 DIAGNOSIS SENSOR UNIT

Description

INFOID:000000007772350

- It detects a shock that is more than the specified level and monitors whether the driver and passenger air bags, side air bag, curtain air bag, and pre-tensioner seat belts operate normally.
- It contains the "G" sensors for both frontal and side collisions and spare battery function in case of main battery damage in collision.

DTC Logic

INFOID:000000007772351

DTC DETECTION LOGIC

DTC	Display contents of CONSULT	DTC detecting condition	Possible cause
B1202 B1203 B1204 B1205 B1206 B1207	CONTROL UNIT	Air bag diagnosis sensor unit is malfunctioning	Malfunction in air bag diagnosis sensor unit

DTC CONFIRMATION PROCEDURE

1. CHECK SELF-DIAG RESULT

With CONSULT

1. Turn ignition switch ON.
2. Perform "AIR BAG" Self Diagnostic Result.

Without CONSULT

1. Turn ignition switch ON.
2. Check the air bag warning lamp status. Refer to [SRC-17, "Diagnosis with Air Bag Warning Lamp"](#).

NOTE:

SRS does not enter the diagnosis mode if no malfunction is detected in the user mode.

Is malfunctioning part detected?

- YES >> Refer to [SRC-150, "Diagnosis Procedure"](#).
NO >> INSPECTION END

Diagnosis Procedure

INFOID:000000007772352

WARNING:

- Before servicing, turn ignition switch OFF, disconnect battery negative terminal, and wait at least 3 minutes or more. (To discharge backup capacitor.)
- Never use unspecified tester or other measuring device.

1. CHECK HARNESS CONNECTOR

Check the harness connector.

Is the inspection result normal?

- YES >> GO TO 2.
NO >> Replace harness connectors.

2. CHECK WIRING HARNESS

Check the wiring harness externals.

Is the inspection result normal?

- YES >> GO TO 3.
NO >> Replace wiring harness.

3. REPLACE AIR BAG DIAGNOSIS SENSOR UNIT

1. Replace air bag diagnosis sensor unit. Refer to [SR-25, "Exploded View"](#).
2. Perform DTC confirmation procedure. Refer to [SRC-150, "DTC Logic"](#).

B1202, B1203, B1204, B1205, B1206, B1207 DIAGNOSIS SENSOR UNIT

< DTC/CIRCUIT DIAGNOSIS >

Is DTC detected?

YES >> GO TO 1.

NO >> INSPECTION END

A

B

C

D

E

F

G

SRC

I

J

K

L

M

N

O

P

B1209 FRONTAL COLLISION DETECTION

< DTC/CIRCUIT DIAGNOSIS >

B1209 FRONTAL COLLISION DETECTION

Description

INFOID:000000007772353

The air bags and seat belt pre-tensioners for driver and passenger are activated by the air bag diagnosis sensor unit signal transmitted at the time of the frontal collision.

DTC Logic

INFOID:000000007772354

DTC DETECTION LOGIC

DTC	Display contents of CONSULT	DTC detecting condition	Possible cause
B1209	FRONTAL COLLISION DETECTION	Seat belt pre-tensioner, driver side air bag and passenger air bag are deployed	—

DTC CONFIRMATION PROCEDURE

1. CHECK SELF-DIAG RESULT

With CONSULT

1. Turn ignition switch ON.
2. Perform "AIR BAG" Self Diagnostic Result.

Without CONSULT

1. Turn ignition switch ON.
2. Check the air bag warning lamp status. Refer to [SRC-17, "Diagnosis with Air Bag Warning Lamp"](#).

NOTE:

SRS does not enter the diagnosis mode if no malfunction is detected in the user mode.

Is malfunctioning part detected?

- YES >> Refer to [SRC-152, "Diagnosis Procedure"](#).
NO >> INSPECTION END

Diagnosis Procedure

INFOID:000000007772355

WARNING:

- Before servicing, turn ignition switch OFF, disconnect battery negative terminal, and wait at least 3 minutes or more. (To discharge backup capacitor.)
- Never use unspecified tester or other measuring device.

1. PERFORM COLLISION DIAGNOSIS

Perform collision diagnosis. Refer to [SR-4, "FOR FRONTAL COLLISION : When SRS is activated in a collision"](#) or [SR-5, "FOR FRONTAL COLLISION : When SRS is not activated in a collision"](#).

Is collision diagnosis complete?

- YES >> GO TO 2.
NO >> INSPECTION END

2. FINAL INSPECTION

Perform "AIR BAG" Self Diagnostic Result.

Is the inspection result normal?

- YES >> INSPECTION END
NO >> Perform diagnosis of applicable DTC. Refer to [SRC-162, "DTC Index"](#).

B1210 SIDE COLLISION DETECTION

< DTC/CIRCUIT DIAGNOSIS >

B1210 SIDE COLLISION DETECTION

Description

INFOID:000000007772356

The side air bag and curtain air bag are activated by the air bag diagnosis sensor unit signal transmitted at the time of side collision.

DTC Logic

INFOID:000000007772357

DTC DETECTION LOGIC

DTC	Display contents of CONSULT	DTC detecting condition	Possible cause
B1210	SIDE COLLISION DETECTION	Side air bag and curtain air bag are deployed	—

DTC CONFIRMATION PROCEDURE

1. CHECK SELF-DIAG RESULT

With CONSULT

1. Turn ignition switch ON.
2. Perform "AIR BAG" Self Diagnostic Result.

Without CONSULT

1. Turn ignition switch ON.
2. Check the air bag warning lamp status. Refer to [SRC-17, "Diagnosis with Air Bag Warning Lamp"](#).

NOTE:

SRS does not enter the diagnosis mode if no malfunction is detected in the user mode.

Is malfunctioning part detected?

- YES >> Refer to [SRC-153, "Diagnosis Procedure"](#).
NO >> INSPECTION END

Diagnosis Procedure

INFOID:000000007772358

WARNING:

- Before servicing, turn ignition switch OFF, disconnect battery negative terminal, and wait at least 3 minutes or more. (To discharge backup capacitor.)
- Never use unspecified tester or other measuring device.

1. PERFORM COLLISION DIAGNOSIS

Perform collision diagnosis. Refer to [SR-6, "FOR SIDE AND ROLLOVER COLLISION : When SRS is activated in a collision"](#) or [SR-7, "FOR SIDE AND ROLLOVER COLLISION : When SRS is not activated in a collision"](#).

Is collision diagnosis complete?

- YES >> GO TO 2.
NO >> INSPECTION END

2. FINAL INSPECTION

Perform "AIR BAG" Self Diagnostic Result.

Is the inspection result normal?

- YES >> INSPECTION END
NO >> Perform diagnosis of applicable DTC. Refer to [SRC-162, "DTC Index"](#).

B1211 ROLLOVER DETECTION

< DTC/CIRCUIT DIAGNOSIS >

B1211 ROLLOVER DETECTION

Description

INFOID:000000007772359

The seat belt pre-tensioner and curtain air bag are activated by the air bag diagnosis sensor unit signal at the time of rollover.

DTC Logic

INFOID:000000007772360

DTC DETECTION LOGIC

DTC	Display contents of CONSULT	DTC detecting condition	Possible cause
B1211	ROLLOVER DETECTION	Seat belt pre-tensioner and curtain air bag module are deployed because of rollover detection	—

DTC CONFIRMATION PROCEDURE

1.CHECK SELF-DIAG RESULT

With CONSULT

1. Turn ignition switch ON.
2. Perform "AIR BAG" Self Diagnostic Result.

Without CONSULT

1. Turn ignition switch ON.
2. Check the air bag warning lamp status. Refer to [SRC-17, "Diagnosis with Air Bag Warning Lamp"](#).

NOTE:

SRS does not enter the diagnosis mode if no malfunction is detected in the user mode.

Is malfunctioning part detected?

- YES >> Refer to [SRC-154, "Diagnosis Procedure"](#).
NO >> INSPECTION END

Diagnosis Procedure

INFOID:000000007772361

WARNING:

- Before servicing, turn ignition switch OFF, disconnect battery negative terminal, and wait at least 3 minutes or more. (To discharge backup capacitor.)
- Never use unspecified tester or other measuring device.

1.PERFORM COLLISION DIAGNOSIS

Perform collision diagnosis.Refer to [SR-6, "FOR SIDE AND ROLLOVER COLLISION : When SRS is activated in a collision"](#) or [SR-7, "FOR SIDE AND ROLLOVER COLLISION : When SRS is not activated in a collision"](#).

Is collision diagnosis complete?

- YES >> GO TO 2.
NO >> INSPECTION END

2.FINAL INSPECTION

Perform "AIR BAG" Self Diagnostic Result.

Is the inspection result normal?

- YES >> INSPECTION END
NO >> Perform diagnosis of applicable DTC.Refer to [SRC-162, "DTC Index"](#).

B1212, B1213, B1214 SATELLITE SENSOR RH

< DTC/CIRCUIT DIAGNOSIS >

B1212, B1213, B1214 SATELLITE SENSOR RH

Description

INFOID:000000007772362

Satellite sensor is a G sensor that outputs voltage signal during deceleration at the time of a vehicle side collision that is more than the specified limit is detected.

DTC Logic

INFOID:000000007772363

DTC DETECTION LOGIC

DTC	Display contents of CONSULT	DTC detecting condition	Possible cause
B1212 B1213 B1214	RH1 SAT-SENS	Satellite sensor RH is malfunctioning	<ul style="list-style-type: none">• Disconnection of wiring harness• Malfunction in satellite sensor RH• Malfunction in air bag diagnosis sensor unit

DTC CONFIRMATION PROCEDURE

1. CHECK SELF-DIAG RESULT

With CONSULT

1. Turn ignition switch ON.
2. Perform "AIR BAG" Self Diagnostic Result.

Without CONSULT

1. Turn ignition switch ON.
2. Check the air bag warning lamp status. Refer to [SRC-17, "Diagnosis with Air Bag Warning Lamp"](#).

NOTE:

SRS does not enter the diagnosis mode if no malfunction is detected in the user mode.

Is malfunctioning part detected?

- YES >> Refer to [SRC-155, "Diagnosis Procedure"](#).
NO >> INSPECTION END

Diagnosis Procedure

INFOID:000000007772364

WARNING:

- Before servicing, turn ignition switch OFF, disconnect battery negative terminal, and wait at least 3 minutes or more. (To discharge backup capacitor.)
- Never use unspecified tester or other measuring device.

1. CHECK HARNESS CONNECTOR

Check the harness connector.

Is the inspection result normal?

- YES >> GO TO 2.
NO >> Replace harness connector.

2. CHECK WIRING HARNESS

Check the wiring harness externals.

Is the inspection result normal?

- YES >> GO TO 3.
NO >> Replace wiring harness.

3. REPLACE SATELLITE SENSOR

1. Replace satellite sensor RH. Refer to [SR-23, "Exploded View"](#).
2. Perform DTC confirmation procedure. Refer to [SRC-155, "DTC Logic"](#).

Is DTC detected?

- YES >> GO TO 4.
NO >> INSPECTION END

4. REPLACE AIR BAG DIAGNOSIS SENSOR UNIT

B1212, B1213, B1214 SATELLITE SENSOR RH

< DTC/CIRCUIT DIAGNOSIS >

1. Replace air bag diagnosis sensor unit. Refer to [SR-25, "Exploded View"](#).
2. Perform DTC confirmation procedure. Refer to [SRC-155, "DTC Logic"](#).

Is DTC detected?

- YES >> GO TO 1.
NO >> INSPECTION END

B1215, B1216, B1217 SATELLITE SENSOR LH

< DTC/CIRCUIT DIAGNOSIS >

B1215, B1216, B1217 SATELLITE SENSOR LH

Description

INFOID:000000007772365

Satellite sensor is a G sensor that outputs voltage signal during deceleration at the time of a vehicle side collision that is more than the specified limit is detected.

DTC Logic

INFOID:000000007772366

DTC DETECTION LOGIC

DTC	Display contents of CONSULT	DTC detecting condition	Possible cause
B1215 B1216 B1217	LH1 SAT-SENS	Satellite sensor LH is malfunctioning	<ul style="list-style-type: none">Disconnection of wiring harnessMalfunction in satellite sensor LHMalfunction in air bag diagnosis sensor unit

DTC CONFIRMATION PROCEDURE

1. CHECK SELF-DIAG RESULT

With CONSULT

- Turn ignition switch ON.
- Perform "AIR BAG" Self Diagnostic Result.

Without CONSULT

- Turn ignition switch ON.
- Check the air bag warning lamp status. Refer to [SRC-17, "Diagnosis with Air Bag Warning Lamp"](#).

NOTE:

SRS does not enter the diagnosis mode if no malfunction is detected in the user mode.

Is malfunctioning part detected?

- YES >> Refer to [SRC-157, "Diagnosis Procedure"](#).
NO >> INSPECTION END

Diagnosis Procedure

INFOID:000000007772367

WARNING:

- Before servicing, turn ignition switch OFF, disconnect battery negative terminal, and wait at least 3 minutes or more. (To discharge backup capacitor.)
- Never use unspecified tester or other measuring device.

1. CHECK HARNESS CONNECTOR

Check the harness connector.

Is the inspection result normal?

- YES >> GO TO 2.
NO >> Replace harness connector.

2. CHECK WIRING HARNESS

Check the wiring harness externals.

Is the inspection result normal?

- YES >> GO TO 3.
NO >> Replace wiring harness.

3. REPLACE SATELLITE SENSOR

- Replace satellite sensor LH. Refer to [SR-23, "Exploded View"](#).
- Perform DTC confirmation procedure. Refer to [SRC-157, "DTC Logic"](#)

Is DTC detected?

- YES >> GO TO 4.
NO >> INSPECTION END

4. REPLACE AIR BAG DIAGNOSIS SENSOR UNIT

A
B
C
D
E
F
G
I
J
K
L
M
N
O
P

SRC

B1215, B1216, B1217 SATELLITE SENSOR LH

< DTC/CIRCUIT DIAGNOSIS >

1. Replace air bag diagnosis sensor unit. Refer to [SR-25, "Exploded View"](#).
2. Perform DTC confirmation procedure. Refer to [SRC-157, "DTC Logic"](#).

Is DTC detected?

- YES >> GO TO 1.
NO >> INSPECTION END

B1218, B1219, B1220, B1221, B1222, B1223 DIAGNOSIS SENSOR UNIT

< DTC/CIRCUIT DIAGNOSIS >

B1218, B1219, B1220, B1221, B1222, B1223 DIAGNOSIS SENSOR UNIT

Description

INFOID:000000007772368

- It detects a shock that is more than the specified level and monitors whether the driver and passenger air bags, side air bag, curtain air bag, and pre-tensioner seat belts operate normally.
- It contains the "G" sensors for both frontal and side collisions and spare battery function in case of main battery damage in collision.

DTC Logic

INFOID:000000007772369

DTC DETECTION LOGIC

DTC	Display contents of CONSULT	DTC detecting condition	Possible cause
B1218 B1219 B1220 B1221 B1222 B1223	CONTROL UNIT	Air bag diagnosis sensor unit is malfunctioning	Malfunction in air bag diagnosis sensor unit

DTC CONFIRMATION PROCEDURE

1. CHECK SELF-DIAG RESULT

With CONSULT

1. Turn ignition switch ON.
2. Perform "AIR BAG" Self Diagnostic Result.

Without CONSULT

1. Turn ignition switch ON.
2. Check the air bag warning lamp status. Refer to [SRC-17, "Diagnosis with Air Bag Warning Lamp"](#).

NOTE:

SRS does not enter the diagnosis mode if no malfunction is detected in the user mode.

Is malfunctioning part detected?

- YES >> Refer to [SRC-159, "Diagnosis Procedure"](#).
NO >> INSPECTION END

Diagnosis Procedure

INFOID:000000007772370

WARNING:

- Before servicing, turn ignition switch OFF, disconnect battery negative terminal, and wait at least 3 minutes or more. (To discharge backup capacitor.)
- Never use unspecified tester or other measuring device.

1. CHECK HARNESS CONNECTOR

Check the harness connector.

Is the inspection result normal?

- YES >> GO TO 2.
NO >> Replace harness connectors.

2. CHECK WIRING HARNESS

Check the wiring harness externals.

Is the inspection result normal?

- YES >> GO TO 3.
NO >> Replace wiring harness.

3. REPLACE AIR BAG DIAGNOSIS SENSOR UNIT

1. Replace air bag diagnosis sensor unit. Refer to [SR-25, "Exploded View"](#).
2. Perform DTC confirmation procedure. Refer to [SRC-159, "DTC Logic"](#).

B1218, B1219, B1220, B1221, B1222, B1223 DIAGNOSIS SENSOR UNIT

< DTC/CIRCUIT DIAGNOSIS >

Is DTC detected?

YES >> GO TO 1.

NO >> INSPECTION END

B1239 DIAGNOSIS SENSOR UNIT

< DTC/CIRCUIT DIAGNOSIS >

B1239 DIAGNOSIS SENSOR UNIT

Description

INFOID:000000007772371

- It detects a shock that is more than the specified level and monitors whether the driver and passenger air bags, side air bag, curtain air bag, and pre-tensioner seat belts operate normally.
- It contains the "G" sensors for both frontal and side collisions and spare battery function in case of main battery damage in collision.

DTC Logic

INFOID:000000007772372

DTC DETECTION LOGIC

DTC	Display contents of CONSULT	DTC detecting condition	Possible cause
B1239	CONTROL UNIT	Air bag diagnosis sensor unit is malfunctioning	Malfunction in air bag diagnosis sensor unit

DTC CONFIRMATION PROCEDURE

1.CHECK SELF-DIAG RESULT

With CONSULT

1. Turn ignition switch ON.
2. Perform "AIR BAG" Self Diagnostic Result.

Without CONSULT

1. Turn ignition switch ON.
2. Check the air bag warning lamp status. Refer to [SRC-17, "Diagnosis with Air Bag Warning Lamp"](#).

NOTE:

SRS does not enter the diagnosis mode if no malfunction is detected in the user mode.

Is malfunctioning part detected?

- YES >> Refer to [SRC-161, "Diagnosis Procedure"](#).
NO >> INSPECTION END

Diagnosis Procedure

INFOID:000000007772373

WARNING:

- **Before servicing, turn ignition switch OFF, disconnect battery negative terminal, and wait at least 3 minutes or more. (To discharge backup capacitor.)**
- **Never use unspecified tester or other measuring device.**

1.CHECK HARNESS CONNECTOR

Check the harness connector.

Is the inspection result normal?

- YES >> GO TO 2.
NO >> Replace harness connectors.

2.CHECK WIRING HARNESS

Check the wiring harness externals.

Is the inspection result normal?

- YES >> GO TO 3.
NO >> Replace wiring harness.

3.REPLACE AIR BAG DIAGNOSIS SENSOR UNIT

1. Replace air bag diagnosis sensor unit. Refer to [SR-25, "Exploded View"](#).
2. Perform DTC confirmation procedure. Refer to [SRC-161, "DTC Logic"](#).

Is DTC detected?

- YES >> GO TO 1.
NO >> INSPECTION END

DIAGNOSIS SENSOR UNIT

< ECU DIAGNOSIS INFORMATION >

ECU DIAGNOSIS INFORMATION

DIAGNOSIS SENSOR UNIT

DTC Index

INFOID:000000007772374

DTC	Diagnostic item	Explanation	Reference page
—	NO DTC IS DETECTED.	Low battery voltage (Less than 9 V)	SRC-23, "CONSULT Function" .
		When malfunction is indicated by the "AIR BAG" warning lamp in the user mode	SRC-17, "Diagnosis with Air Bag Warning Lamp" , SRC-23, "CONSULT Function" .
		Self-diagnostic result is not erased after repair	GI-41, "Intermittent Incident"
		Intermittent malfunction is detected in the past	
	No malfunction is detected	—	
B1001-B1015	CONTROL UNIT	Air bag diagnosis sensor unit is malfunctioning	<ul style="list-style-type: none"> SRC-25, "DTC Logic". SRC-27, "DTC Logic". SRC-29, "DTC Logic".
B1017 B1020 B1021	OCCUPANT SENS C/U [UNIT FAIL]	Malfunction occurs in Occupant Detection System control unit	SRC-31, "DTC Logic" .
B1018	OCCUPANT SENS [UNIT FAIL]	Malfunction occurs in Occupant Detection System sensor	SRC-33, "DTC Logic" .
B1022	OCCUPANT SENS C/U [COMM FAIL]	Malfunction occurs in Occupant Detection System control unit, circuit of Occupant Detection System control unit air bag diagnosis sensor unit, or air bag diagnosis sensor unit	SRC-35, "DTC Logic" .
B1023	PASS A/B INDCTR CKT	Passenger air bag OFF indicator circuit is open or shorted to ground or the circuits are shorted each other	SRC-37, "DTC Logic" .
B1025 B1032 B1048	OCS SENSOR	Malfunction occurs in Occupant Detection System control unit, circuit of Occupant Detection System control unit air bag diagnosis sensor unit, or air bag diagnosis sensor unit	SRC-39, "DTC Logic" .
B1026-B1031	CONTROL UNIT	Air bag diagnosis sensor unit is malfunctioning or out of the specified specification	SRC-41, "DTC Logic" .
B1033 B1034	CRASH ZONE SEN [UNIT FAIL]	Crash zone sensor is malfunctioning	SRC-43, "DTC Logic" .
B1035	CRASH ZONE SEN [COMM FAIL]	Crash zone sensor is malfunctioning	SRC-45, "DTC Logic" .
B1036	CRASH ZONE SEN [UNMATCH]	Crash zone sensor is out of the specified specification	SRC-47, "DTC Logic" .
B1037 B1039 B1041	CRASH ZONE SEN1	Crash zone sensor is malfunctioning	SRC-49, "DTC Logic" .
B1042-B1047	CONTROL UNIT	Air bag diagnosis sensor unit is malfunctioning	SRC-51, "DTC Logic" .
B1049 B1054	DRIVER AIRBAG MODULE [OPEN]	Driver air bag module circuit is open (including the spiral cable)	SRC-53, "DTC Logic" .
B1050 B1055	DRIVER AIRBAG MODULE [VB-SHORT]	Driver air bag module circuit is shorted to power supply circuit (including the spiral cable)	SRC-55, "DTC Logic" .
B1051 B1056	DRIVER AIRBAG MODULE [GND-SHORT]	Driver air bag module circuit is shorted to ground (including the spiral cable)	SRC-57, "DTC Logic" .

DIAGNOSIS SENSOR UNIT

< ECU DIAGNOSIS INFORMATION >

DTC	Diagnostic item	Explanation	Reference page
B1052 B1057	DRIVER AIRBAG MODULE [SHORT]	Driver air bag module circuits are shorted to each other (including spiral cable)	SRC-59, "DTC Logic"
B1058-B1063	CONTROL UNIT	Air bag diagnosis sensor unit is malfunctioning	SRC-61, "DTC Logic"
B1065 B1070	ASSIST A/B MODULE [OPEN]	Passenger air bag module circuit is open	SRC-63, "DTC Logic"
B1066 B1071	ASSIST A/B MODULE [VB-SHORT]	Passenger air bag module circuit is shorted to power supply circuit	SRC-65, "DTC Logic"
B1067 B1072	ASSIST A/B MODULE [GND-SHORT]	Passenger air bag module circuit is shorted to ground	SRC-67, "DTC Logic"
B1068 B1073	ASSIST A/B MODULE [SHORT]	Passenger air bag module circuits are shorted to each other	SRC-69, "DTC Logic"
B1074-B1079	CONTROL UNIT	Air bag diagnosis sensor unit is malfunctioning	SRC-71, "DTC Logic"
B1080 B1096	DRIVER AIRBAG MODULE [SHORT]	Driver air bag module circuits are shorted to each other (including spiral cable)	SRC-73, "DTC Logic"
B1081	PRE-TEN FRONT RH [OPEN]	Seat belt pre-tensioner RH circuit is open	SRC-75, "DTC Logic"
B1082	PRE-TEN FRONT RH [VB-SHORT]	Seat belt pre-tensioner RH circuit is shorted to power supply circuit	SRC-77, "DTC Logic"
B1083	PRE-TEN FRONT RH [GND-SHORT]	Seat belt pre-tensioner RH circuit is shorted to ground	SRC-79, "DTC Logic"
B1084	PRE-TEN FRONT RH [SHORT]	Seat belt pre-tensioner RH circuits are shorted to each other	SRC-81, "DTC Logic"
B1086	PRE-TEN FRONT LH [OPEN]	Seat belt pre-tensioner LH circuit is open	SRC-83, "DTC Logic"
B1087	PRE-TEN FRONT LH [VB-SHORT]	Seat belt pre-tensioner LH circuit is shorted to power supply circuit	SRC-85, "DTC Logic"
B1088	PRE-TEN FRONT LH [GND-SHORT]	Seat belt pre-tensioner LH circuit is shorted to ground	SRC-87, "DTC Logic"
B1089	PRE-TEN FRONT LH [SHORT]	Seat belt pre-tensioner LH circuits are shorted to each other	SRC-89, "DTC Logic"
B1090-B1095	CONTROL UNIT	Air bag diagnosis sensor unit is malfunctioning	SRC-91, "DTC Logic"
B1106-B1111	CONTROL UNIT	Air bag diagnosis sensor unit is malfunctioning	SRC-93, "DTC Logic"
B1113 B1114	SATELLITE SENS RH [UNIT FAIL]	Satellite sensor RH is malfunctioning	SRC-95, "DTC Logic"
B1115	SATELLITE SENS RH [COMM FAIL]	Satellite sensor RH is malfunctioning	SRC-97, "DTC Logic"
B1116	SATELLITE SENS RH [UNMATCH]	Satellite sensor RH is out of the specified specification	SRC-99, "DTC Logic"
B1118 B1119	SATELLITE SENS LH [UNIT FAIL]	Satellite sensor LH is malfunctioning	SRC-101, "DTC Logic"
B1120	SATELLITE SENS LH [COMM FAIL]	Satellite sensor LH is malfunctioning	SRC-103, "DTC Logic"
B1121	SATELLITE SENS LH [UNMATCH]	Satellite sensor LH is out of the specified specification	SRC-105, "DTC Logic"
B1122-B1127	CONTROL UNIT	Air bag diagnosis sensor unit is malfunctioning	SRC-107, "DTC Logic"
B1129	SIDE MODULE RH [OPEN]	Side air bag module RH circuit is open	SRC-109, "DTC Logic"

A

B

C

D

E

F

G

SRC

I

J

K

L

M

N

O

P

DIAGNOSIS SENSOR UNIT

< ECU DIAGNOSIS INFORMATION >

DTC	Diagnostic item	Explanation	Reference page
B1130	SIDE MODULE RH [VB-SHORT]	Side air bag module RH circuit is shorted to power supply circuit	SRC-111, "DTC Logic" .
B1131	SIDE MODULE RH [GND-SHORT]	Side air bag module RH circuit is shorted to ground	SRC-113, "DTC Logic" .
B1132	SIDE MODULE RH [SHORT]	Seat belt pre-tensioner RH circuits are shorted to each other	SRC-115, "DTC Logic" .
B1134	SIDE MODULE LH [OPEN]	Side air bag module LH circuit is open	SRC-117, "DTC Logic" .
B1135	SIDE MODULE LH [VB-SHORT]	Side air bag module LH circuit is shorted to power supply circuit	SRC-119, "DTC Logic" .
B1136	SIDE MODULE LH [GND-SHORT]	Side air bag module LH circuit is shorted to ground	SRC-121, "DTC Logic" .
B1137	SIDE MODULE LH [SHORT]	Side air bag module LH circuits are shorted to each other	SRC-123, "DTC Logic" .
B1138-B1143	CONTROL UNIT	Air bag diagnosis sensor unit is malfunctioning	SRC-125, "DTC Logic" .
B1144	CONTROL UNIT	Air bag diagnosis sensor unit is malfunctioning or out of the specified specification	SRC-127, "DTC Logic" .
B1145	CURTAIN MODULE RH [OPEN]	Curtain air bag module RH circuit is open	SRC-128, "DTC Logic" .
B1146	CURTAIN MODULE RH [VB-SHORT]	Curtain air bag module RH circuit is shorted to power supply circuit	SRC-130, "DTC Logic" .
B1147	CURTAIN MODULE RH [GND-SHORT]	Curtain air bag module RH circuit is shorted to ground	SRC-132, "DTC Logic" .
B1148	CURTAIN MODULE RH [SHORT]	Curtain air bag module RH circuits are shorted to each other	SRC-134, "DTC Logic" .
B1150	CURTAIN MODULE LH [OPEN]	Curtain air bag module LH circuit is open	SRC-136, "DTC Logic" .
B1151	CURTAIN MODULE LH [VB-SHORT]	Curtain air bag module LH circuit is shorted to power supply circuits	SRC-138, "DTC Logic" .
B1152	CURTAIN MODULE LH [GND-SHORT]	Curtain air bag module LH circuit is shorted to ground	SRC-140, "DTC Logic" .
B1153	CURTAIN MODULE LH [SHORT]	Curtain air bag module LH circuits are shorted to each other	SRC-142, "DTC Logic" .
B1154-B1159	CONTROL UNIT	Air bag diagnosis sensor unit is malfunctioning	SRC-144, "DTC Logic" .
B1170-B1175	CONTROL UNIT	Air bag diagnosis sensor unit is malfunctioning	SRC-146, "DTC Logic" .
B1186-B1191	CONTROL UNIT	Air bag diagnosis sensor unit is malfunctioning	SRC-148, "DTC Logic" .
B1202-B1207	CONTROL UNIT	Air bag diagnosis sensor unit is malfunctioning	SRC-150, "DTC Logic" .
B1209	FRONTAL COLLISION DETECTION	Seat belt pre-tensioner, driver side air bag and passenger air bag are deployed	SRC-152, "DTC Logic" .
B1210	SIDE COLLISION DETECTION	Side air bag and curtain air bag are deployed	SRC-153, "DTC Logic" .
B1211	ROLLOVER DETECTION	Seat belt pre-tensioner side curtain air bag module are deployed because of rollover detection	SRC-154, "DTC Logic" .
B1212-B1214	RH1 SAT-SENS	Satellite sensor RH is malfunctioning	SRC-155, "DTC Logic" .
B1215-B1217	LH1 SAT-SENS	Satellite sensor LH is malfunctioning	SRC-157, "DTC Logic" .

DIAGNOSIS SENSOR UNIT

< ECU DIAGNOSIS INFORMATION >

DTC	Diagnostic item	Explanation	Reference page
B1218-B1223	CONTROL UNIT	Air bag diagnosis sensor unit is malfunctioning	SRC-159, "DTC Logic"
B1239	CONTROL UNIT	Air bag diagnosis sensor unit is malfunctioning	SRC-161, "DTC Logic"

A

B

C

D

E

F

G

SRC

I

J

K

L

M

N

O

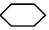
P

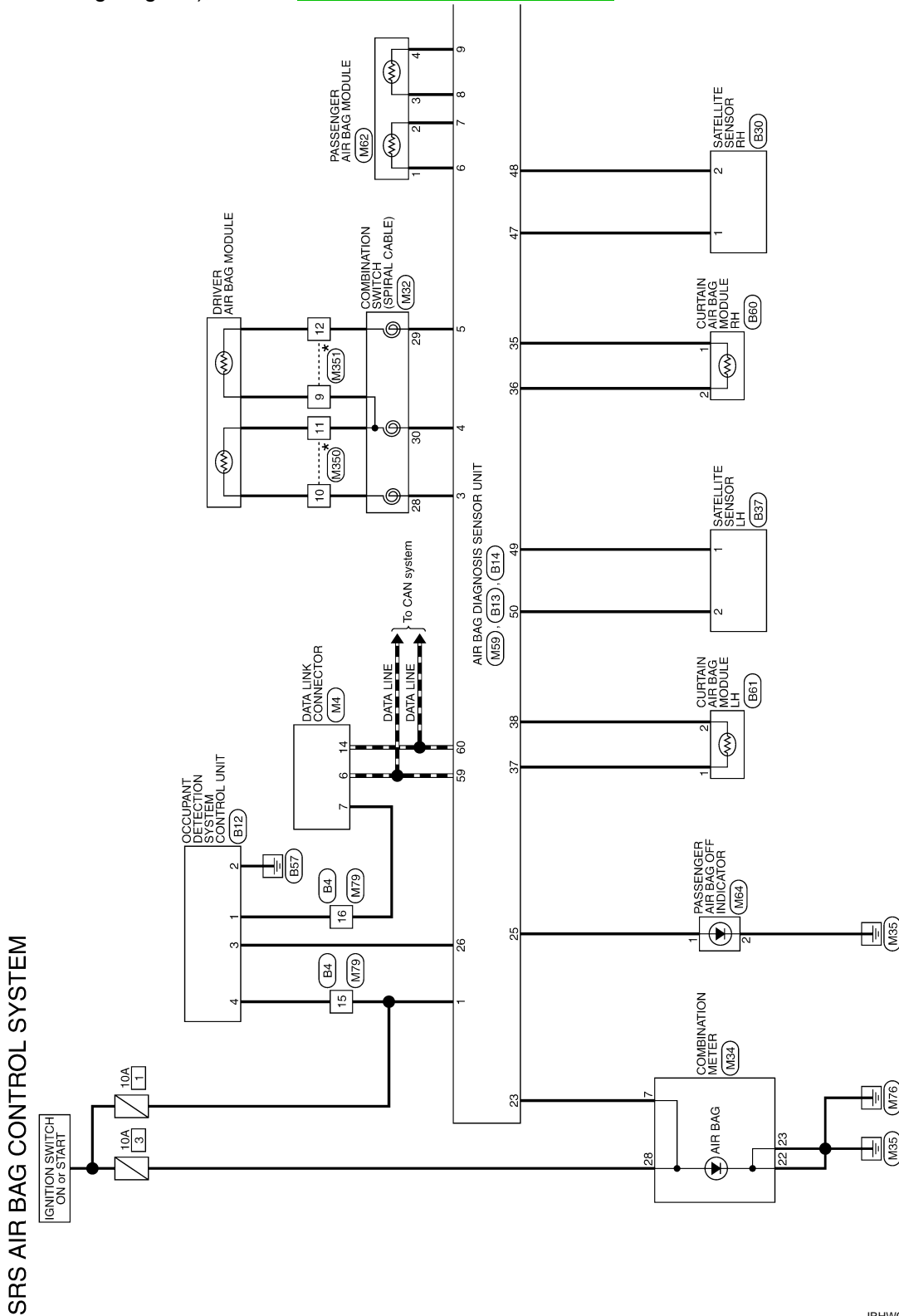
DIAGNOSIS SENSOR UNIT

< ECU DIAGNOSIS INFORMATION >

Wiring Diagram - SRS AIR BAG CONTROL SYSTEM -

INFOID:000000007772375

For connector terminal arrangements, harness layouts, and alphabets in a  (option abbreviation; if not described in wiring diagram), refer to [GI-12, "Connector Information"](#).



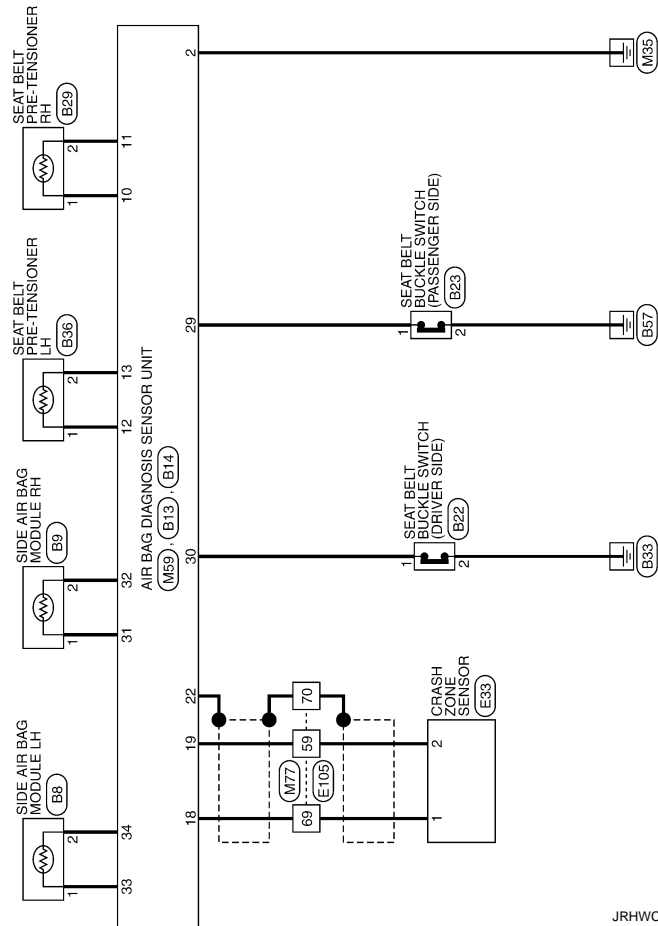
*: This connector is not shown in "Harness Layout".

2011/10/07

JRHWC0143GB

DIAGNOSIS SENSOR UNIT

< ECU DIAGNOSIS INFORMATION >



JRHWC0144GB

A
B
C
D
E
F
G
H
I
J
K
L
M
N
O
P

SRC

SRS AIR BAG WARNING LAMP DOES NOT TURN OFF

< SYMPTOM DIAGNOSIS >

SYMPTOM DIAGNOSIS

SRS AIR BAG WARNING LAMP DOES NOT TURN OFF

Diagnosis Procedure

INFOID:000000007772376

1. CHECK AIR BAG MODULE AND SEAT BELT PRE-TENSIONER

Check the deployment of air bag module and seat belt pre-tensioner.

Is air bag module deployed?

- YES >> Replace the malfunctioning parts.
- NO >> GO TO 2.

2. CHECK AIR BAG FUSE

Check 10A fuse [No.2, located in fuse block (J/B)].

Is the inspection result normal?

- YES >> GO TO 3.
- NO >> Replace the fuse.

3. CHECK HARNESS CONNECTOR

Check the harness connector.

Is the inspection result normal?

- YES >> GO TO 4.
- NO >> Replace harness connectors.

4. CHECK WIRING HARNESS

Check the wiring harness externals.

Is the inspection result normal?

- YES >> GO TO 5.
- NO >> Replace wiring harness.

5. REPLACE AIR BAG DIAGNOSIS SENSOR UNIT

1. Replace air bag diagnosis sensor unit. Refer to [SR-25, "Exploded View"](#).
2. Check air bag warning lamp operation.

Is the inspection result normal?

- YES >> INSPECTION END
- NO >> GO TO 6.

6. REPLACE COMBINATION METER

1. Replace combination meter. Refer to [MWI-90, "Exploded View"](#).
2. Check air bag warning lamp operation.

Is the inspection result normal?

- YES >> INSPECTION END
- NO >> GO TO 1.

SRS AIR BAG WARNING LAMP DOES NOT TURN ON

< SYMPTOM DIAGNOSIS >

SRS AIR BAG WARNING LAMP DOES NOT TURN ON

Diagnosis Procedure

INFOID:000000007772377

1.CHECK COMBINATION METER POWER SPPLY AND GROUND CIRCUIT

Check combination meter unit power supply and ground circuit. Refer to [MWI-39, "COMBINATION METER : Diagnosis Procedure"](#).

Is the inspection result normal?

YES >> GO TO 2.

NO >> Repair or replace the malfunctioning parts.

2.CHECK HARNESS CONNECTOR

Check the harness connector.

Is the inspection result normal?

YES >> GO TO 3.

NO >> Replace harness connectors.

3.CHECK WIRING HARNESS

Check the wiring harness externals.

Is the inspection result normal?

YES >> GO TO 4.

NO >> Replace wiring harness.

4.CHECK AIR BAG DIAGNOSIS SENSOR UNIT

Disconnect air bag diagnosis sensor unit connector and turn ignition switch ON.

Does air bag warning lamp turn ON?

YES >> Replace air bag diagnosis sensor unit. Refer to [SR-25, "Exploded View"](#).

NO >> Replace combination meter. Refer to [MWI-90, "Exploded View"](#).

A
B
C
D
E
F
G
SRC
I
J
K
L
M
N
O
P

PRECAUTIONS

< PRECAUTION >

PRECAUTION

PRECAUTIONS

Precaution for Supplemental Restraint System (SRS) "AIR BAG" and "SEAT BELT PRE-TENSIONER"

INFOID:000000007772378

The Supplemental Restraint System such as "AIR BAG" and "SEAT BELT PRE-TENSIONER", used along with a front seat belt, helps to reduce the risk or severity of injury to the driver and front passenger for certain types of collision. This system includes seat belt switch inputs and dual stage front air bag modules. The SRS system uses the seat belt switches to determine the front air bag deployment, and may only deploy one front air bag, depending on the severity of a collision and whether the front occupants are belted or unbelted. Information necessary to service the system safely is included in the "SRS AIR BAG" and "SEAT BELT" of this Service Manual.

WARNING:

Always observe the following items for preventing accidental activation.

- **To avoid rendering the SRS inoperative, which could increase the risk of personal injury or death in the event of a collision that would result in air bag inflation, all maintenance must be performed by an authorized NISSAN/INFINITI dealer.**
- **Improper maintenance, including incorrect removal and installation of the SRS, can lead to personal injury caused by unintentional activation of the system. For removal of Spiral Cable and Air Bag Module, see "SRS AIR BAG".**
- **Never use electrical test equipment on any circuit related to the SRS unless instructed to in this Service Manual. SRS wiring harnesses can be identified by yellow and/or orange harnesses or harness connectors.**

PRECAUTIONS WHEN USING POWER TOOLS (AIR OR ELECTRIC) AND HAMMERS

WARNING:

Always observe the following items for preventing accidental activation.

- **When working near the Air Bag Diagnosis Sensor Unit or other Air Bag System sensors with the ignition ON or engine running, never use air or electric power tools or strike near the sensor(s) with a hammer. Heavy vibration could activate the sensor(s) and deploy the air bag(s), possibly causing serious injury.**
- **When using air or electric power tools or hammers, always switch the ignition OFF, disconnect the battery, and wait at least 3 minutes before performing any service.**

Service

INFOID:000000007772379

- Never use electrical test equipment to check SRS circuits unless instructed to in this Service Manual.
- Before servicing the SRS, turn ignition switch OFF, disconnect battery negative terminal and wait 3 minutes or more.
For approximately 3 minutes after the cables are removed, it is still possible for the air bag and seat belt pretensioner to deploy. Therefore, never work on any SRS connectors or wires until at least 3 minutes have passed.
- Diagnosis sensor unit must always be installed with their arrow marks "←" pointing towards the front of the vehicle for proper operation. Also check diagnosis sensor unit for cracks, deformities or rust before installation and replace as required.
- The spiral cable must be aligned with the neutral position since its rotations are limited. Never turn steering wheel and column after removal of steering gear.
- Handle air bag module carefully. Always place driver and front passenger air bag modules with the pad side facing upward and seat mounted front side air bag module standing with the stud bolt side facing down.
- Conduct self-diagnosis to check entire SRS for proper function after replacing any components.
- After air bag inflates, the front instrument panel assembly should be replaced if damaged.
- Always replace instrument panel pad following front passenger air bag deployment.
- Never solder the harness when making repairs. Check that harness is not pinched and that there is no contact with other components.
- Never allow harness to come in contact with oil, grease, waste oil, or water.
- Never insert foreign materials, such as a screwdriver, into the harness connector. (This is to prevent accidental activation caused by static electricity.)
- Always use CONSULT or SRS air bag warning lamp to perform the circuit diagnosis. (Never use an electric tester such as a circuit tester.)

PRECAUTIONS

< PRECAUTION >

Occupant Detection System Precaution

INFOID:000000007772380

Replace Occupant Detection System control unit and passenger front seat cushion frame as an assembly.
Refer to [SE-15. "Exploded View"](#).

A

B

C

D

E

F

G

SRC

I

J

K

L

M

N

O

P