

# SECTION **BCS**

## BODY CONTROL SYSTEM

A  
B  
C  
D  
E  
F  
G  
H  
I  
J  
K  
L  
BCS  
N  
O  
P

### CONTENTS

<b>WITH INTELLIGENT KEY SYSTEM</b>	
<b>BASIC INSPECTION</b> .....	<b>5</b>
<b>ADDITIONAL SERVICE WHEN REPLACING CONTROL UNIT</b> .....	<b>5</b>
Description .....	5
Work Procedure .....	5
<b>CONFIGURATION (BCM)</b> .....	<b>6</b>
Description .....	6
Work Procedure .....	6
Configuration list .....	7
<b>SHIPPING MODE CANCEL OPERATION</b> .....	<b>8</b>
Description .....	8
Work Procedure .....	8
<b>SYSTEM DESCRIPTION</b> .....	<b>9</b>
<b>BODY CONTROL SYSTEM</b> .....	<b>9</b>
System Description .....	9
Component Parts Location .....	10
<b>COMBINATION SWITCH READING SYSTEM</b> .....	<b>11</b>
System Diagram .....	11
System Description .....	11
<b>SIGNAL BUFFER SYSTEM</b> .....	<b>15</b>
System Diagram .....	15
System Description .....	15
<b>POWER CONSUMPTION CONTROL SYSTEM</b> .....	<b>17</b>
System Diagram .....	17
System Description .....	17
Component Parts Location .....	19
<b>DIAGNOSIS SYSTEM (BCM)</b> .....	<b>20</b>
<b>COMMON ITEM</b> .....	<b>20</b>
COMMON ITEM : CONSULT Function (BCM - COMMON ITEM) .....	20
<b>DOOR LOCK</b> .....	<b>21</b>
DOOR LOCK : CONSULT Function (BCM - DOOR LOCK) .....	21
<b>REAR WINDOW DEFOGGER</b> .....	<b>23</b>
REAR WINDOW DEFOGGER : CONSULT Function (BCM - REAR DEFOGGER) .....	23
<b>BUZZER</b> .....	<b>23</b>
BUZZER : CONSULT Function (BCM - BUZZER).....	23
<b>INT LAMP</b> .....	<b>24</b>
INT LAMP : CONSULT Function (BCM - INT LAMP) .....	24
<b>HEADLAMP</b> .....	<b>26</b>
HEADLAMP : CONSULT Function (BCM - HEAD LAMP) .....	26
<b>WIPER</b> .....	<b>28</b>
WIPER : CONSULT Function (BCM - WIPER) .....	28
<b>FLASHER</b> .....	<b>29</b>
FLASHER : CONSULT Function (BCM - FLASHER) .....	29
<b>AIR CONDITIONER</b> .....	<b>30</b>
AIR CONDITIONER : CONSULT Function (BCM - AIR CONDITIONER) (Automatic A/C) .....	30
AIR CONDITIONER : CONSULT Function (BCM - AIR CONDITIONER) (Manual A/C) .....	30
<b>INTELLIGENT KEY</b> .....	<b>31</b>
INTELLIGENT KEY : CONSULT Function (BCM - INTELLIGENT KEY) .....	31
<b>COMB SW</b> .....	<b>34</b>
COMB SW : CONSULT Function (BCM - COMB SW) .....	34
<b>BCM</b> .....	<b>35</b>

BCM : CONSULT Function (BCM - BCM) .....	35	DTC Inspection Priority Chart .....	75
<b>IMMU</b> .....	<b>35</b>	DTC Index .....	76
IMMU : CONSULT Function (BCM - IMMU) .....	35	<b>SYMPTOM DIAGNOSIS</b> .....	<b>79</b>
<b>BATTERY SAVER</b> .....	<b>36</b>	<b>COMBINATION SWITCH SYSTEM SYMPTOMS</b> .....	<b>79</b>
BATTERY SAVER : CONSULT Function (BCM - BATTERY SAVER) .....	36	Symptom Table .....	79
<b>TRUNK</b> .....	<b>37</b>	<b>NORMAL OPERATING CONDITION</b> .....	<b>80</b>
TRUNK : CONSULT Function (BCM - TRUNK) ....	37	Description .....	80
<b>THEFT ALM</b> .....	<b>37</b>	<b>PRECAUTION</b> .....	<b>81</b>
THEFT ALM : CONSULT Function (BCM - THEFT) .....	37	<b>PRECAUTIONS</b> .....	<b>81</b>
<b>RETAIND PWR</b> .....	<b>38</b>	Precaution for Supplemental Restraint System (SRS) "AIR BAG" and "SEAT BELT PRE-TENSIONER" .....	81
RETAIND PWR : CONSULT Function (BCM - RETAINED PWR) .....	39	<b>REMOVAL AND INSTALLATION</b> .....	<b>82</b>
<b>SIGNAL BUFFER</b> .....	<b>39</b>	<b>BCM (BODY CONTROL MODULE)</b> .....	<b>82</b>
SIGNAL BUFFER : CONSULT Function (BCM - SIGNAL BUFFER) .....	39	Exploded View .....	82
<b>AIR PRESSURE MONITOR</b> .....	<b>39</b>	Removal and Installation .....	82
AIR PRESSURE MONITOR : CONSULT Function .....	39	<b>COMBINATION SWITCH</b> .....	<b>83</b>
<b>DTC/CIRCUIT DIAGNOSIS</b> .....	<b>41</b>	Exploded View .....	83
<b>U1000 CAN COMM</b> .....	<b>41</b>	Removal and Installation .....	83
Description .....	41	<b>WITHOUT INTELLIGENT KEY SYSTEM</b>	
DTC Logic .....	41	<b>BASIC INSPECTION</b> .....	<b>84</b>
Diagnosis Procedure .....	41	<b>ADDITIONAL SERVICE WHEN REPLACING CONTROL UNIT</b> .....	<b>84</b>
<b>U1010 CONTROL UNIT (CAN)</b> .....	<b>42</b>	Description .....	84
DTC Logic .....	42	Work Procedure .....	84
Diagnosis Procedure .....	42	<b>CONFIGURATION (BCM)</b> .....	<b>85</b>
<b>U0415 VEHICLE SPEED</b> .....	<b>43</b>	Description .....	85
Description .....	43	Work Procedure .....	85
DTC Logic .....	43	Configuration list .....	86
Diagnosis Procedure .....	43	<b>SHIPPING MODE CANCEL OPERATION</b> .....	<b>87</b>
<b>B2562 LOW VOLTAGE</b> .....	<b>44</b>	Description .....	87
DTC Logic .....	44	Work Procedure .....	87
Diagnosis Procedure .....	44	<b>SYSTEM DESCRIPTION</b> .....	<b>88</b>
<b>POWER SUPPLY AND GROUND CIRCUIT</b> ....	<b>45</b>	<b>BODY CONTROL SYSTEM</b> .....	<b>88</b>
Diagnosis Procedure .....	45	System Description .....	88
<b>COMBINATION SWITCH OUTPUT CIRCUIT</b> ...	<b>46</b>	Component Parts Location .....	89
Diagnosis Procedure .....	46	<b>COMBINATION SWITCH READING SYSTEM</b>	
<b>COMBINATION SWITCH INPUT CIRCUIT</b> .....	<b>48</b>	.....	<b>90</b>
Diagnosis Procedure .....	48	System Diagram .....	90
<b>ECU DIAGNOSIS INFORMATION</b> .....	<b>50</b>	System Description .....	90
<b>BCM (BODY CONTROL MODULE)</b> .....	<b>50</b>	<b>SIGNAL BUFFER SYSTEM</b> .....	<b>94</b>
Reference Value .....	50	System Diagram .....	94
Wiring Diagram - BCM - .....	71	System Description .....	94
Fail-safe .....	74		

**POWER CONSUMPTION CONTROL SYSTEM**

<b>SYSTEM</b> .....	95
System Diagram .....	95
System Description .....	95
Component Parts Location .....	96
<b>DIAGNOSIS SYSTEM (BCM)</b> .....	97
<b>COMMON ITEM</b> .....	97
COMMON ITEM : CONSULT Function (BCM - COMMON ITEM) .....	97
<b>DOOR LOCK</b> .....	97
DOOR LOCK : CONSULT Function (BCM - DOOR LOCK) .....	97
<b>REAR WINDOW DEFOGGER</b> .....	99
REAR WINDOW DEFOGGER : CONSULT Function (BCM - REAR DEFOGGER) .....	99
<b>BUZZER</b> .....	99
BUZZER : CONSULT Function (BCM - BUZZER).....	99
<b>INT LAMP</b> .....	100
INT LAMP : CONSULT Function (BCM - INT LAMP) .....	100
<b>MULTI REMOTE ENT</b> .....	102
MULTI REMOTE ENT : CONSULT Function (BCM - MULTI REMOTE ENT) .....	102
<b>HEADLAMP</b> .....	103
HEADLAMP : CONSULT Function (BCM - HEAD LAMP) .....	103
<b>WIPER</b> .....	106
WIPER : CONSULT Function (BCM - WIPER) ....	106
<b>FLASHER</b> .....	107
FLASHER : CONSULT Function (BCM - FLASHER) .....	107
<b>AIR CONDITIONER</b> .....	107
AIR CONDITIONER : CONSULT Function (BCM - AIR CONDITIONER) (Manual A/C) .....	108
<b>COMB SW</b> .....	108
COMB SW : CONSULT Function (BCM - COMB SW) .....	108
<b>BCM</b> .....	109
BCM : CONSULT Function (BCM - BCM) .....	109
<b>IMMU</b> .....	109
IMMU : CONSULT Function (BCM - IMMU) .....	109
<b>BATTERY SAVER</b> .....	109
BATTERY SAVER : CONSULT Function (BCM - BATTERY SAVER) .....	109
<b>TRUNK</b> .....	110
TRUNK : CONSULT Function (BCM - TRUNK) ...	110
<b>THEFT ALM</b> .....	111

THEFT ALM : CONSULT Function (BCM - THEFT ALM) .....	111
<b>RETAINED PWR</b> .....	112
RETAINED PWR : CONSULT Function (BCM - RETAINED PWR) .....	112
<b>SIGNAL BUFFER</b> .....	112
SIGNAL BUFFER : CONSULT Function (BCM - SIGNAL BUFFER) .....	112
<b>AIR PRESSURE MONITOR</b> .....	112
AIR PRESSURE MONITOR : CONSULT Function ..	113
<b>PANIC ALARM</b> .....	114
PANIC ALARM : CONSULT Function (BCM - PANIC ALARM) .....	114
<b>DTC/CIRCUIT DIAGNOSIS</b> .....	115
<b>U1000 CAN COMM</b> .....	115
Description .....	115
DTC Logic .....	115
Diagnosis Procedure .....	115
<b>U1010 CONTROL UNIT (CAN)</b> .....	116
DTC Logic .....	116
Diagnosis Procedure .....	116
<b>C1735 IGN CIRCUIT OPEN</b> .....	117
DTC Logic .....	117
Diagnosis Procedure .....	117
<b>POWER SUPPLY AND GROUND CIRCUIT</b> ..	118
Diagnosis Procedure .....	118
<b>COMBINATION SWITCH OUTPUT CIRCUIT</b> .	119
Diagnosis Procedure .....	119
<b>COMBINATION SWITCH INPUT CIRCUIT</b> ....	121
Diagnosis Procedure .....	121
<b>ECU DIAGNOSIS INFORMATION</b> .....	123
<b>BCM (BODY CONTROL MODULE)</b> .....	123
Reference Value .....	123
Wiring Diagram - BCM - .....	136
Fail-safe .....	138
DTC Inspection Priority Chart .....	139
DTC Index .....	139
<b>PRECAUTION</b> .....	141
<b>PRECAUTIONS</b> .....	141
Precaution for Supplemental Restraint System (SRS) "AIR BAG" and "SEAT BELT PRE-TENSIONER" .....	141
<b>SYMPTOM DIAGNOSIS</b> .....	142
<b>COMBINATION SWITCH SYSTEM SYMPTOMS</b> .....	142

A

B

C

D

E

F

G

H

I

J

K

L

BCS

N

O

P

---

Symptom Table .....	142	<b>BCM (BODY CONTROL MODULE) .....</b>	<b>144</b>
<b>NORMAL OPERATING CONDITION .....</b>	<b>143</b>	Exploded View .....	144
Description .....	143	Removal and Installation .....	144
<b>REMOVAL AND INSTALLATION .....</b>	<b>144</b>	<b>COMBINATION SWITCH .....</b>	<b>145</b>
		Exploded View .....	145
		Removal and Installation .....	145

# ADDITIONAL SERVICE WHEN REPLACING CONTROL UNIT

< BASIC INSPECTION >

[WITH INTELLIGENT KEY SYSTEM]

## BASIC INSPECTION

### ADDITIONAL SERVICE WHEN REPLACING CONTROL UNIT

#### Description

INFOID:000000008454080

#### BEFORE REPLACEMENT

When replacing BCM, save or print current vehicle specification with CONSULT configuration before replacement.

#### NOTE:

If "READ CONFIGURATION" can not be used, use the "WRITE CONFIGURATION - Manual selection" after replacing BCM.

#### AFTER REPLACEMENT

#### CAUTION:

When replacing BCM, always perform "WRITE CONFIGURATION" with CONSULT. Or not doing so, BCM control function does not operate normally.

- Complete the procedure of "WRITE CONFIGURATION" in order.
- Configuration is different for each vehicle model. Confirm configuration of each vehicle model.
- If you set incorrect "WRITE CONFIGURATION", incidents might occur.

#### NOTE:

When replacing BCM, perform the system initialization (NATS) (if equipped).

#### Work Procedure

INFOID:000000008454081

#### 1. SAVING VEHICLE SPECIFICATION

##### ⓂCONSULT Configuration

Perform "READ CONFIGURATION" to save or print current vehicle specification. Refer to [BCS-6. "Description"](#).

#### NOTE:

If "READ CONFIGURATION" can not be used, use the "WRITE CONFIGURATION - Manual selection" after replacing BCM.

>> GO TO 2.

#### 2. REPLACE BCM

Replace BCM. Refer to [BCS-82. "Removal and Installation"](#).

>> GO TO 3.

#### 3. WRITING VEHICLE SPECIFICATION

##### ⓂCONSULT Configuration

Perform "WRITE CONFIGURATION - Config file" or "WRITE CONFIGURATION - Manual selection" to write vehicle specification. Refer to [BCS-6. "Work Procedure"](#).

>> GO TO 4.

#### 4. INITIALIZE BCM (NATS) (IF EQUIPPED)

Perform BCM initialization. (NATS)

>> WORK END

A  
B  
C  
D  
E  
F  
G  
H  
I  
J  
K  
L  
N  
O  
P

BCS

## CONFIGURATION (BCM)

### Description

INFOID:000000008454082

Vehicle specification needs to be written with CONSULT because it is not written after replacing BCM. Configuration has three functions as follows.

Function	Description
READ CONFIGURATION	<ul style="list-style-type: none"> <li>• Reads the vehicle configuration of current BCM.</li> <li>• Saves the read vehicle configuration.</li> </ul>
WRITE CONFIGURATION - Manual selection	Writes the vehicle configuration with manual selection.
WRITE CONFIGURATION - Config file	Writes the vehicle configuration with saved data.

**NOTE:**

Manual setting item: Items which need selection by vehicle specifications

Automatic setting item: Items which are written in automatically (Setting can not be changed)

For some models and specifications, the automatic setting item may not be displayed.

**CAUTION:**

**When replacing BCM, always perform “WRITE CONFIGURATION” with CONSULT. Or not doing so, BCM control function does not operate normally.**

- Complete the procedure of “WRITE CONFIGURATION” in order.
- Configuration is different for each vehicle model. Confirm configuration of each vehicle model.
- Never perform “WRITE CONFIGURATION” except for new BCM.
- If you set incorrect “WRITE CONFIGURATION”, incidents might occur.

### Work Procedure

INFOID:000000008454083

#### 1. WRITING MODE SELECTION

ⓐCONSULT Configuration  
Select “CONFIGURATION” of BCM.

When writing saved data>>GO TO 2.

When writing manually>>GO TO 3.

#### 2. PERFORM “WRITE CONFIGURATION - CONFIG FILE”

ⓐCONSULT Configuration  
Perform “WRITE CONFIGURATION - Config file”.

>> WORK END

#### 3. PERFORM “WRITE CONFIGURATION - MANUAL SELECTION”

- ⓐCONSULT Configuration
1. Select "WRITE CONFIGURATION - Manual selection".
  2. Identify the correct model and configuration list. Refer to [BCS-7, "Configuration list"](#).
  3. Confirm and/or change setting value for each item.

**CAUTION:**

**Thoroughly read and understand the vehicle specification. ECU control may not operate normally if the setting is not correct.**

**NOTE:**

If items are not displayed, touch “SETTING”. Refer to [BCS-7, "Configuration list"](#) for written items and setting value.

4. Select "SETTING".
- CAUTION:**
- Make sure to select “SETTING” even if the indicated configuration of brand new BCM is same as the desirable configuration. If not, configuration which is set automatically by selecting vehicle model can not be memorized.**
5. When "COMMAND FINISHED", select "END".

# CONFIGURATION (BCM)

[WITH INTELLIGENT KEY SYSTEM]

< BASIC INSPECTION >

>> GO TO 4.

## 4. OPERATION CHECK

Confirm that each function controlled by BCM operates normally.

>> WORK END

### Configuration list

INFOID:000000008454084

#### **CAUTION:**

Thoroughly read and understand the vehicle specification. ECU control may not operate normally if the setting is not correct.

SETTING ITEM		NOTE
Items	Setting value	
AUTO LIGHT	WITH	—
DTRL	WITH ⇔ WITHOUT	<ul style="list-style-type: none"><li>• WITH: With daytime running light system</li><li>• WITHOUT: Without daytime running light system</li></ul>
BCM AC CONTROL	MODE4	—
BLOWE FAN SIG	MODE2	—

⇔: Items which confirm vehicle specifications

A  
B  
C  
D  
E  
F  
G  
H  
I  
J  
K  
L

BCS

N  
O  
P

# SHIPPING MODE CANCEL OPERATION

< BASIC INSPECTION >

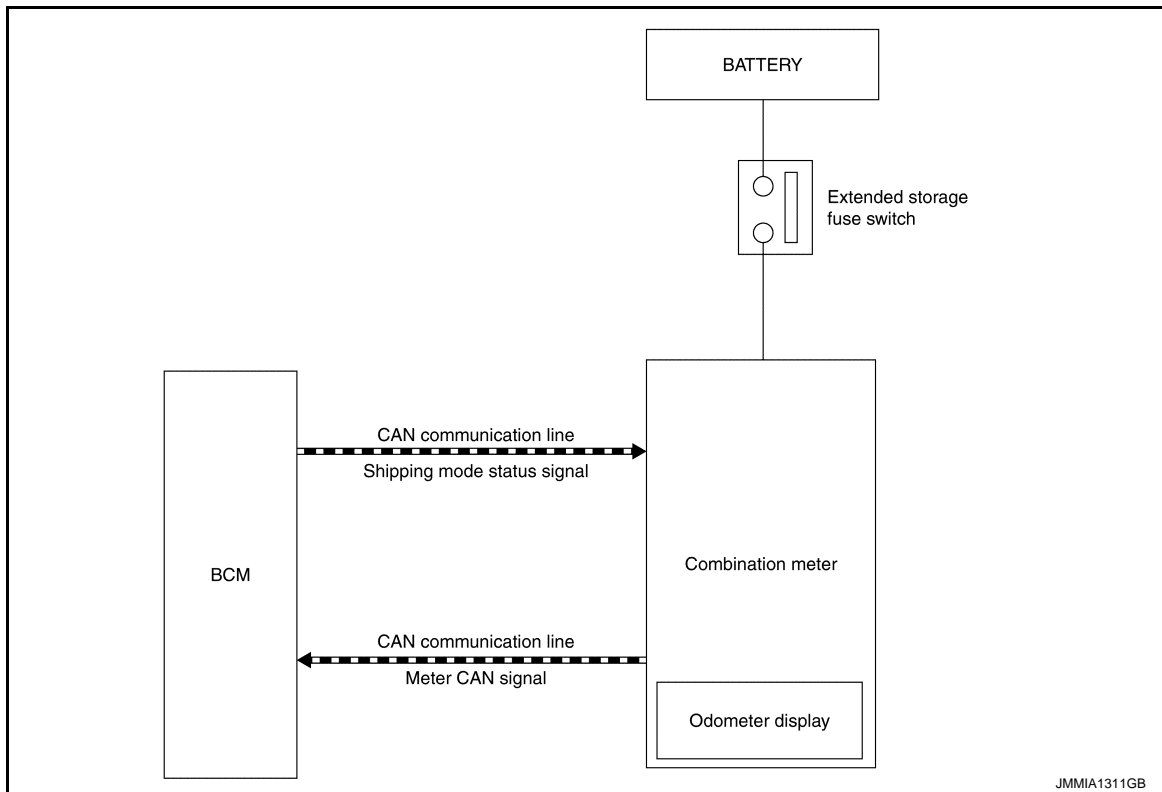
[WITH INTELLIGENT KEY SYSTEM]

## SHIPPING MODE CANCEL OPERATION

### Description

INFOID:000000008902178

### SYSTEM DIAGRAM



### DESCRIPTION

- The combination meter transmits meter CAN signal\*<sup>1</sup> to BCM via CAN communication, when the extended storage fuse switch is ON.
- BCM switches the status (shipping mode or normal mode) by itself according to the meter CAN signal\*<sup>1</sup> from combination meter, and transmits shipping mode status signal to combination meter via CAN communication.
- The combination meter displays extended storage fuse warning message\*<sup>2</sup> on the odometer display, when BCM is in shipping mode.
- BCM control functions are limited in shipping mode. Refer to [BCS-80. "Description"](#).

\*1: Odometer signal, wake up signal and each signal.

\*2: When shipping mode function operates, "SHIP→PHASE→On→PUSH→FUSE In" is displayed.

### Work Procedure

INFOID:000000008902179

#### 1. TRANSIT MODE CANCEL OPERATION

1. Turn ignition switch OFF.
2. Push in (switch on) the extended storage fuse switch. Refer to [PG-27. "Fuse"](#).
3. Turn ignition switch ON.
4. Turn ignition switch OFF and wait at least 2seconds.

>> GO TO 2.

#### 2. TRANSIT MODE CANCEL CHECK

1. Turn ignition switch ON.
2. Check that extended storage fuse warning message is not displays on odometer display.

>> WORK END



# BODY CONTROL SYSTEM

[WITH INTELLIGENT KEY SYSTEM]

< SYSTEM DESCRIPTION >

## SYSTEM DESCRIPTION

### BODY CONTROL SYSTEM

#### System Description

INFOID:000000008454087

#### OUTLINE

- BCM (Body Control Module) controls the various electrical components. It inputs the information required to the control from CAN communication and the signal received from each switch and sensor.
- BCM has combination switch reading function for reading the operation status of combination switches (light, turn signal, wiper and washer) in addition to a function for controlling the operation of various electrical components. It also has the signal transmission function as the passed point of signal and the power saving control function that reduces the power consumption with the ignition switch OFF.
- BCM is equipped with the diagnosis function that performs the diagnosis with CONSULT and various settings.

#### BCM CONTROL FUNCTION LIST

System	Reference
Combination switch reading system	<a href="#">BCS-11, "System Diagram"</a>
Signal buffer system	<a href="#">BCS-15, "System Diagram"</a>
Power consumption control system	<a href="#">BCS-17, "System Diagram"</a>
Auto light system	<a href="#">EXL-12, "System Diagram"</a>
Turn signal and hazard warning lamp system	<a href="#">EXL-17, "System Diagram"</a>
Headlamp system	<a href="#">EXL-8, "System Diagram"</a>
Parking, license plate, side maker and tail lamps system	<a href="#">EXL-19, "System Diagram"</a>
Front fog lamp system	<a href="#">EXL-15, "System Diagram"</a>
Exterior lamp battery saver system	<a href="#">EXL-21, "System Diagram"</a>
Illumination control system	<a href="#">INL-11, "System Diagram"</a>
Daytime running light system	<a href="#">EXL-10, "System Diagram"</a>
Interior room lamp control system	<a href="#">INL-6, "System Diagram"</a>
Interior room lamp battery saver system	<a href="#">INL-9, "System Diagram"</a>
Illumination control system	<a href="#">INL-11, "System Diagram"</a>
Front wiper and washer system	<a href="#">WW-6, "System Diagram"</a>
Rear wiper and washer system	<a href="#">WW-10, "System Diagram"</a>
Automatic air conditioner	<a href="#">HAC-15, "System Diagram"</a>
Manual air conditioner	<a href="#">HAC-130, "System Diagram"</a>
Warning chime system	<a href="#">WCS-5, "WARNING CHIME SYSTEM : System Diagram"</a>
Power door lock system	<a href="#">DLK-13, "System Diagram"</a>
Nissan Vehicle Immobilizer System (NVIS) - NATS	<a href="#">SEC-16, "System Diagram"</a>
Vehicle security system	<a href="#">SEC-21, "System Diagram"</a>
Panic alarm	<a href="#">SEC-21, "System Description"</a>
Rear window defogger system	<a href="#">DEF-4, "System Diagram"</a>
Intelligent Key system/engine start system	Door lock function
	Remote keyless entry function
	Key reminder function
	Warning function
	Engine start function
Power window system	<a href="#">PWC-7, "System Diagram"</a>

# BODY CONTROL SYSTEM

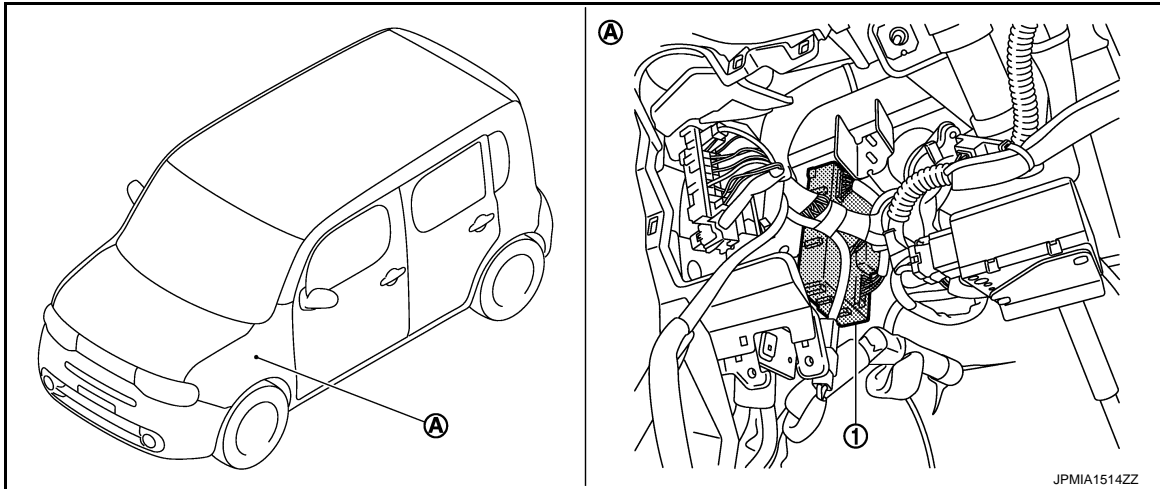
[WITH INTELLIGENT KEY SYSTEM]

< SYSTEM DESCRIPTION >

System	Reference
Retained accessory power (RAP) system	<a href="#">PWC-7. "System Description"</a>
Tire pressure monitoring system (TPMS) - AIR PRESSURE MONITOR	<a href="#">WT-8. "TIRE PRESSURE MONITORING SYSTEM : System Description"</a>

## Component Parts Location

INFOID:000000008454088



1. BCM
- A. Behind of instrument lower panel LH (Left side)

# COMBINATION SWITCH READING SYSTEM

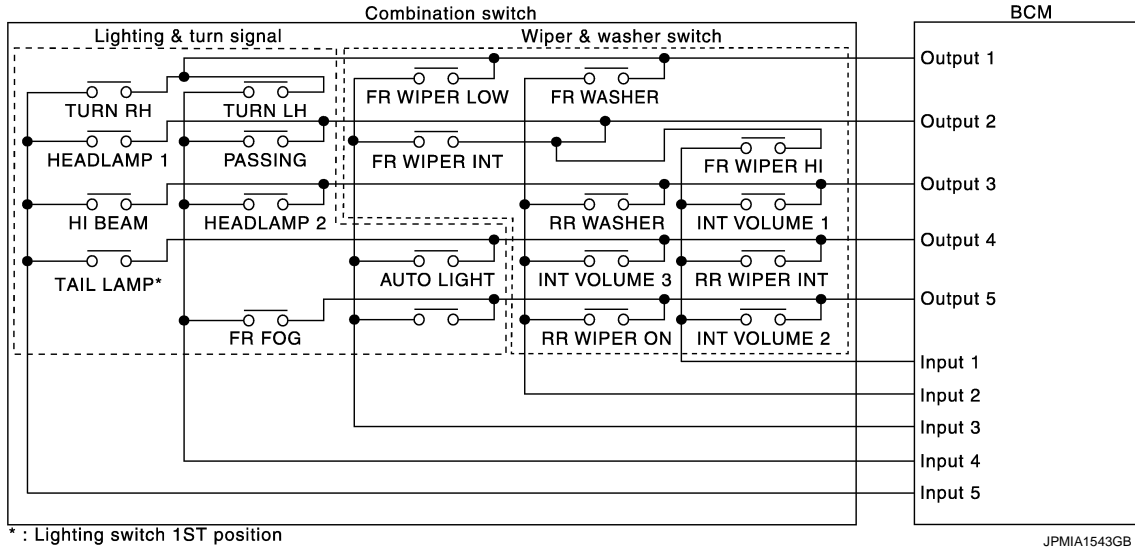
< SYSTEM DESCRIPTION >

[WITH INTELLIGENT KEY SYSTEM]

## COMBINATION SWITCH READING SYSTEM

### System Diagram

INFOID:000000008454089



### System Description

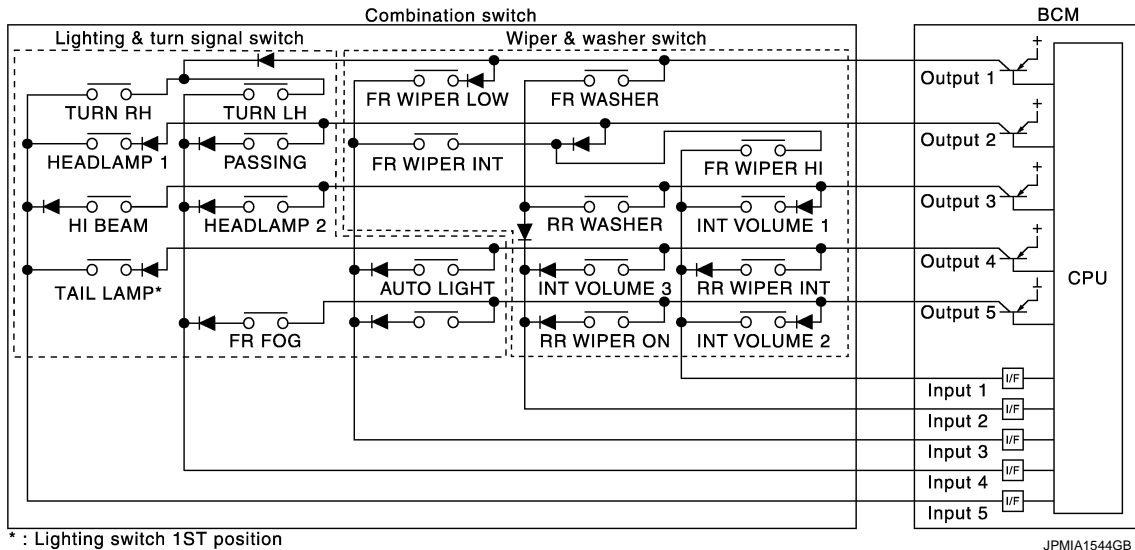
INFOID:000000008454090

#### OUTLINE

- BCM reads the status of the combination switch (light, turn signal, wiper and washer) and recognizes the status of each switch.
- BCM has a combination of 5 output terminals (OUTPUT 1 - 5) and 5 input terminals (INPUT 1 - 5). It reads a maximum of 20 switch status.

#### COMBINATION SWITCH MATRIX

##### Combination switch circuit



Combination switch INPUT-OUTPUT system list

System	INPUT 1	INPUT 2	INPUT 3	INPUT 4	INPUT 5
OUTPUT 1	—	FR WASHER	FR WIPER LOW	TURN LH	TURN RH
OUTPUT 2	FR WIPER HI	—	FR WIPER INT	PASSING	HEADLAMP 1
OUTPUT 3	INT VOLUME 1	RR WASHER	—	HEADLAMP 2	HI BEAM

# COMBINATION SWITCH READING SYSTEM

< SYSTEM DESCRIPTION >

[WITH INTELLIGENT KEY SYSTEM]

System	INPUT 1	INPUT 2	INPUT 3	INPUT 4	INPUT 5
OUTPUT 4	RR WIPER INT	INT VOLUME 3	AUTO LIGHT	—	TAIL LAMP
OUTPUT 5	INT VOLUME 2	RR WIPER	—	FR FOG	—

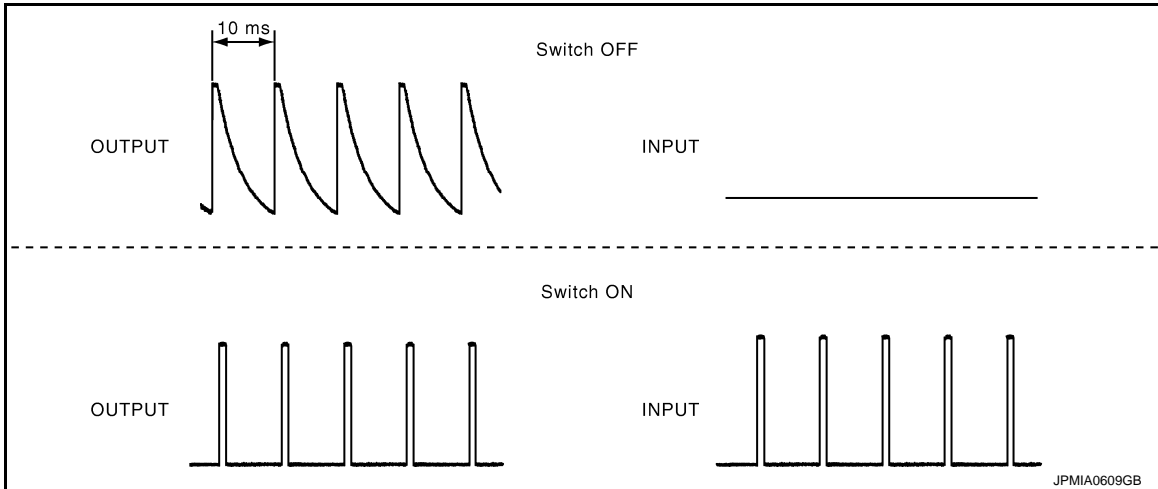
**NOTE:**

Headlamp has a dual system switch.

## COMBINATION SWITCH READING FUNCTION

Description

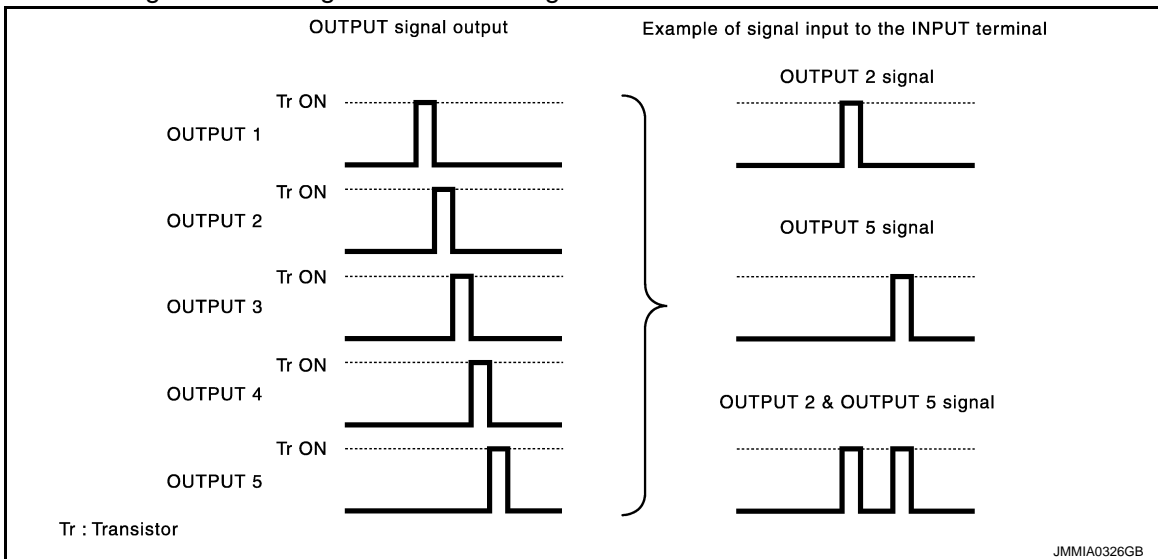
- BCM reads the status of the combination switch at 10 ms interval normally.



**NOTE:**

BCM reads the status of the combination switch at 60 ms interval when BCM is controlled at low power consumption control mode.

- BCM operates as follows and judges the status of the combination switch.
  - It operates the transistor on OUTPUT side in the following order: OUTPUT 1 → 2 → 3 → 4 → 5, and outputs voltage waveform.
  - The voltage waveform of OUTPUT corresponding to the formed circuit is input into the interface on INPUT side if any (1 or more) switches are ON.
  - It reads this change of the voltage as the status signal of the combination switch.



### Operation Example

In the following operation example, the combination of the status signals of the combination switch is replaced as follows: INPUT 1 - 5 to "1 - 5" and OUTPUT 1 - 5 to "A - E".

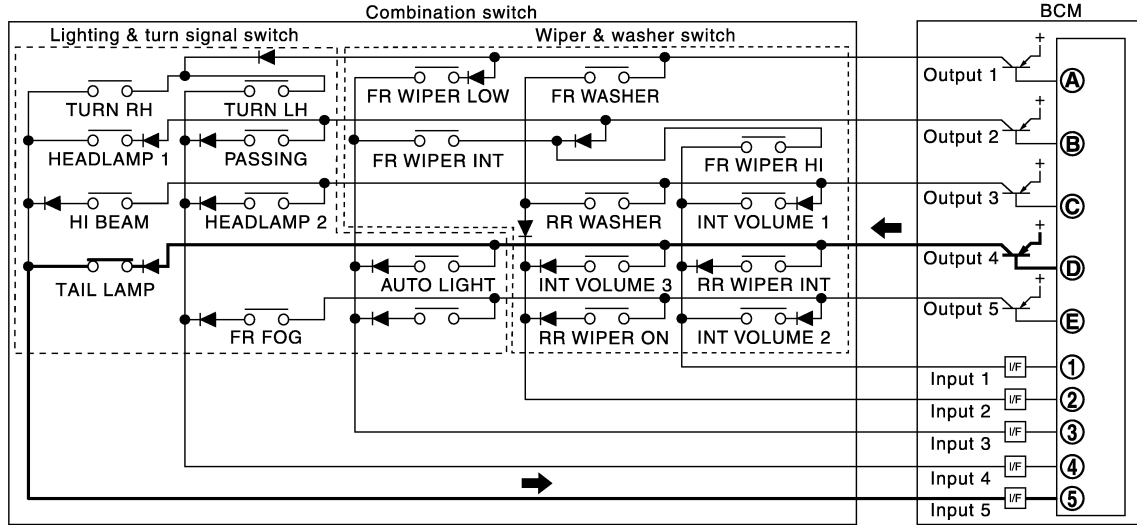
Example 1: When a switch (TAIL LAMP switch) is turned ON

# COMBINATION SWITCH READING SYSTEM

[WITH INTELLIGENT KEY SYSTEM]

## < SYSTEM DESCRIPTION >

- The circuit between OUTPUT 4 and INPUT 5 is formed when the TAIL LAMP switch is turned ON.

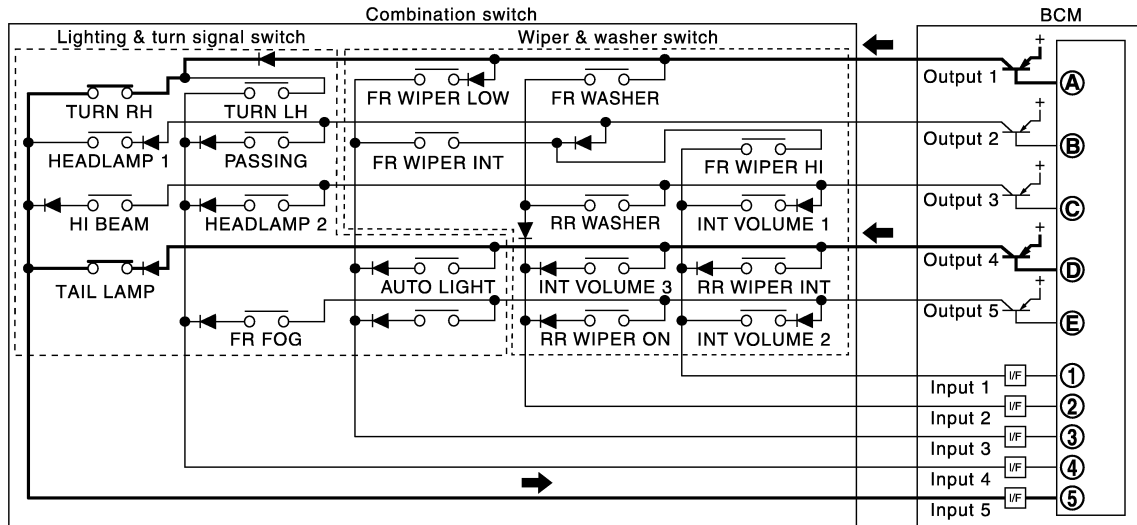


JPMIA1545GB

- BCM detects the combination switch status signal "5D" when the signal of OUTPUT 4 is input to INPUT 5.
- BCM judges that the TAIL LAMP switch is ON when the signal "5D" is detected.

Example 2: When some switches (TURN RH switch, TAIL LAMP switch) are turned ON

- The circuits between OUTPUT 1 and INPUT 5 and between OUTPUT 4 and INPUT 5 are formed when the TURN RH switch and TAIL LAMP switch are turned ON.



JPMIA1546GB

- BCM detects the combination switch status signal "5AD" when the signals of OUTPUT 1 and OUTPUT 4 are input to INPUT 5.
- BCM judges that the TURN RH switch and TAIL LAMP switch are ON when the signal "5AD" is detected.

## WIPER INTERMITTENT DIAL POSITION

BCM judges the wiper intermittent dial 1 - 7 by the status of INT VOLUME 1, 2 and 3 switches.

Wiper intermittent dial position	Switch status		
	INT VOLUME 1	INT VOLUME 2	INT VOLUME 3
1	ON	ON	ON
2	ON	ON	OFF
3	ON	OFF	OFF
4	OFF	OFF	OFF
5	OFF	OFF	ON

# COMBINATION SWITCH READING SYSTEM

< SYSTEM DESCRIPTION >

[WITH INTELLIGENT KEY SYSTEM]

Wiper intermittent dial position	Switch status		
	INT VOLUME 1	INT VOLUME 2	INT VOLUME 3
6	OFF	ON	ON
7	OFF	ON	OFF

**NOTE:**

For details of wiper intermittent dial position, refer to [WW-6. "System Description"](#).

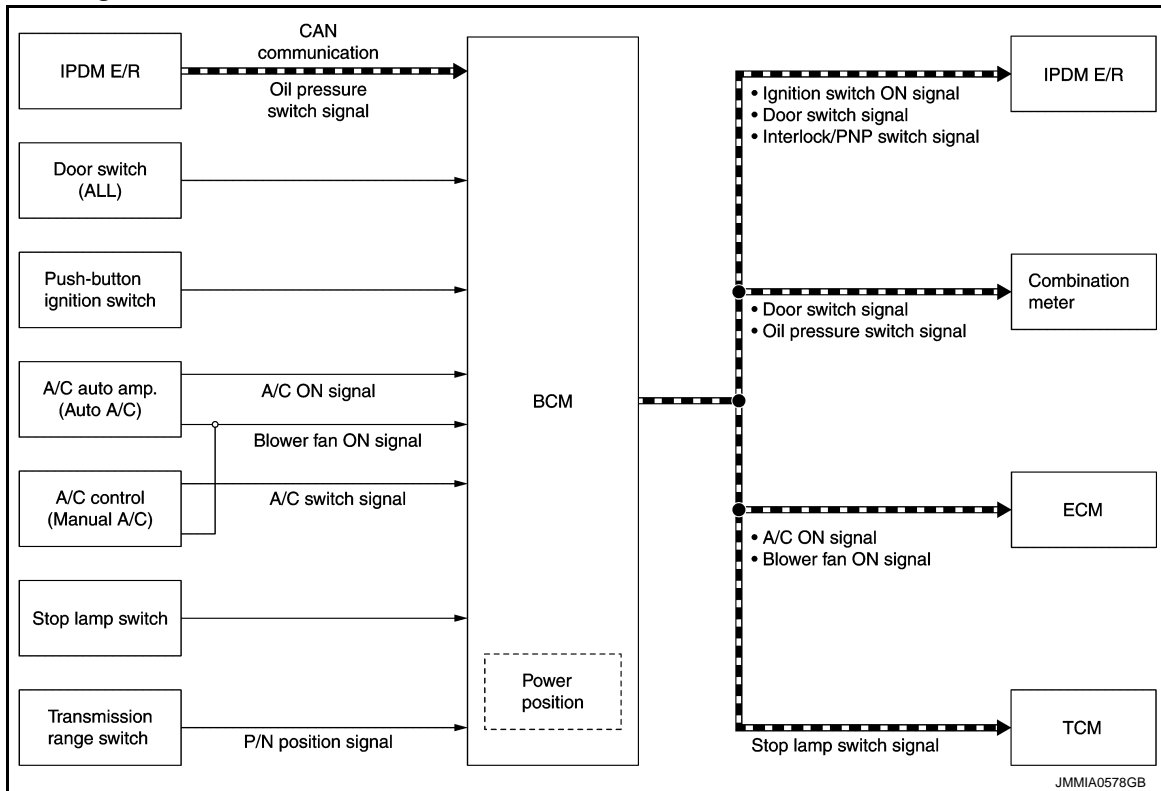
# SIGNAL BUFFER SYSTEM

< SYSTEM DESCRIPTION >

[WITH INTELLIGENT KEY SYSTEM]

## SIGNAL BUFFER SYSTEM

### System Diagram



INFOID:000000008454091

### System Description

INFOID:000000008454092

#### OUTLINE

BCM has the signal transmission function that outputs/transmits each input/received signal to each unit.

#### Signal transmission function list

Signal name	Input	Output	Description
Ignition switch ON signal	Push-button ignition switch (Push switch)	IPDM E/R (CAN)	Inputs the push-button ignition switch (push switch) signal and transmits the ignition switch status judged with BCM via CAN communication.
Door switch signal	Any door switch	<ul style="list-style-type: none"> <li>Combination meter (CAN)</li> <li>IPDM E/R (CAN)</li> </ul>	Inputs the door switch signal and transmits it via CAN communication.
Blower fan ON signal	<ul style="list-style-type: none"> <li>A/C auto amp. (Auto A/C)</li> <li>A/C control (Manual A/C)</li> </ul>	ECM (CAN)	Input blower fan switch signal, and transmit the blower fan ON signal via CAN communication.
A/C ON signal	<ul style="list-style-type: none"> <li>A/C auto amp. (Auto A/C)</li> <li>A/C control (Manual A/C)</li> </ul>	ECM (CAN)	Input A/C ON signal (automatic A/C) or A/C switch signal (manual A/C), and transmit the A/C ON signal via CAN communication.
Oil pressure switch signal	IPDM E/R (CAN)	Combination meter (CAN)	Transmits the received oil pressure switch signal via CAN communication.

A

B

C

D

E

F

G

H

I

J

K

L

BCS

N

O

P

# SIGNAL BUFFER SYSTEM

< SYSTEM DESCRIPTION >

[WITH INTELLIGENT KEY SYSTEM]

Signal name	Input	Output	Description
Stop lamp switch signal	Stop lamp switch	TCM (CAN)	Inputs the stop lamp switch 1 signal and stop lamp switch 2 signal, and transmits it via CAN communication.
Interlock/PNP switch signal	Transmission range switch	IPDM E/R (CAN)	Inputs the P/N position signal, and transmits the interlock/PNP switch signal via CAN communication.



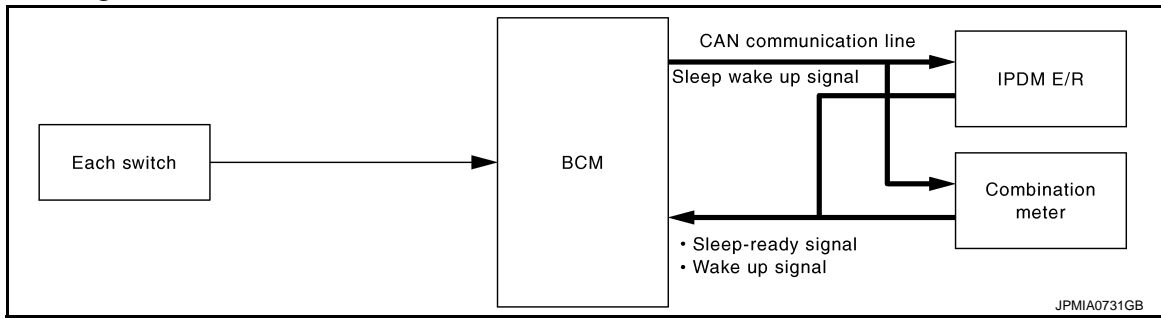
# POWER CONSUMPTION CONTROL SYSTEM

< SYSTEM DESCRIPTION >

[WITH INTELLIGENT KEY SYSTEM]

## POWER CONSUMPTION CONTROL SYSTEM

### System Diagram



### System Description

INFOID:000000008454094

#### OUTLINE

- BCM incorporates a power saving control function that reduces the power consumption according to the vehicle status.
- BCM switches the status (control mode) by itself with the power saving control function. It performs the sleep request to each unit (IPDM E/R and combination meter) that operates with the ignition switch OFF.

#### Normal mode (wake-up)

- CAN communication is normally performed with other units
- Each control with BCM is operating properly

#### CAN communication sleep mode (CAN sleep)

- CAN transmission is stopped
- Control with BCM only is operating

#### Low power consumption mode (BCM sleep)

- Low power consumption control is active
- CAN transmission is stopped

#### LOW POWER CONSUMPTION CONTROL WITH BCM

BCM reduces the power consumption with the following operation in the low power consumption mode.

- The reading interval of the each switches changes from 10 ms interval to 60 ms interval.

#### Sleep mode activation

- BCM receives the sleep-ready signal (ready) from IPDM E/R and combination meter via CAN communication.
- BCM transmits the sleep wake up signal (sleep) to each unit when all of the CAN sleep conditions are fulfilled.
- Each unit stops the transmission of CAN communication with the sleep wake up signal. BCM is in CAN communication sleep mode.
- BCM is in the low power consumption mode and perform the low power consumption control when all of the BCM sleep conditions are fulfilled with CAN sleep condition.

A  
B  
C  
D  
E  
F  
G  
H  
I  
J  
K  
L  
N  
O  
P

BCS

# POWER CONSUMPTION CONTROL SYSTEM

[WITH INTELLIGENT KEY SYSTEM]

## < SYSTEM DESCRIPTION >

### Sleep condition

CAN sleep condition	BCM sleep condition
<ul style="list-style-type: none"> <li>• Receiving the sleep-ready signal (ready) from all units</li> <li>• Ignition switch: OFF</li> <li>• Vehicle security system and panic alarm: Not operation</li> <li>• Warning chime: Not operation</li> <li>• Intelligent Key system buzzer: Not operation</li> <li>• Stop lamp switch: OFF</li> <li>• Turn signal indicator lamp: Not operation</li> <li>• Exterior lamp: OFF</li> <li>• Door lock status: No change</li> <li>• CONSULT communication status: Not communication</li> <li>• Meter display signal: Non-transmission</li> <li>• Door switch status: No change</li> <li>• Rear window defogger: OFF</li> </ul>	<ul style="list-style-type: none"> <li>• Interior room lamp battery saver: Time out</li> <li>• RAP system: OFF</li> <li>• Nissan Vehicle Immobilizer System (NVIS) - NATS: Not operation</li> <li>• Remote keyless entry receiver communication status: No communication</li> <li>• Tire pressure monitor system (TPMS) - AIR PRESSURE MONITOR: Stop</li> <li>• ACC/ON indicator lamp: Not operation</li> </ul>

### Wake-up operation

- BCM transmits sleep wake up signal (wake up) to each unit when any condition listed below is established, and then goes into normal mode from low power consumption mode.
- Each unit starts transmissions with CAN communication by receiving sleep wake up signals. Each unit transmit wake up signals to BCM with CAN communication to convey the start of CAN communication.

### Wake-up condition

Wake-up condition
<ul style="list-style-type: none"> <li>• Receiving the sleep-ready signal (Not-ready) from any units</li> <li>• Push-button ignition switch (push switch): OFF → ON</li> <li>• Hazard switch: ON</li> <li>• HI BEAM switch: OFF → ON, ON → OFF</li> <li>• PASSING switch: OFF → ON, ON → OFF</li> <li>• HEADLAMP 1 switch: OFF → ON, ON → OFF</li> <li>• HEADLAMP 2 switch: OFF → ON, ON → OFF</li> <li>• TAIL LAMP switch: OFF → ON</li> <li>• FR FOG switch: OFF → ON, ON → OFF</li> <li>• TURN RH: OFF → ON, ON → OFF</li> <li>• TURN LH: OFF → ON, ON → OFF</li> <li>• Driver door switch: OFF → ON, ON → OFF</li> <li>• Passenger door switch: OFF → ON, ON → OFF</li> <li>• Rear RH door switch: OFF → ON, ON → OFF</li> <li>• Rear LH door switch: OFF → ON, ON → OFF</li> <li>• Back door switch: OFF → ON, ON → OFF</li> <li>• Driver door request switch: OFF → ON</li> <li>• Passenger door request switch: OFF → ON</li> <li>• Back door request switch: OFF → ON</li> <li>• Stop lamp switch: ON</li> <li>• Door lock and unlock switch: NEUTRAL → LOCK, NEUTRAL → UNLOCK</li> <li>• Door key cylinder switch: NEUTRAL → LOCK, NEUTRAL → UNLOCK</li> <li>• Remote keyless entry receiver communication: Receiving</li> <li>• Front door lock assembly (driver side) (unlock sensor): OFF → ON, ON → OFF</li> </ul>

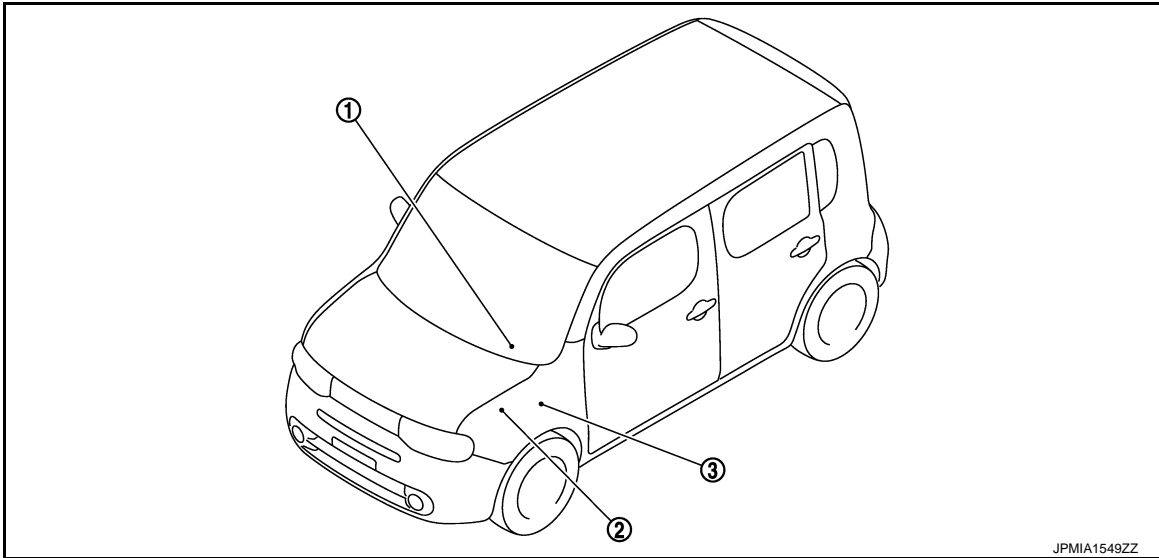
# POWER CONSUMPTION CONTROL SYSTEM

< SYSTEM DESCRIPTION >

[WITH INTELLIGENT KEY SYSTEM]

## Component Parts Location

INFOID:000000008454095



1. Combination meter

2. IPDM E/R  
Refer to [PCS-6, "Component Parts Location"](#).

3. BCM  
Refer to [BCS-10, "Component Parts Location"](#).

A  
B  
C  
D  
E  
F  
G  
H  
I  
J  
K  
L  
N  
O  
P

BCS

# DIAGNOSIS SYSTEM (BCM)

[WITH INTELLIGENT KEY SYSTEM]

< SYSTEM DESCRIPTION >

## DIAGNOSIS SYSTEM (BCM)

### COMMON ITEM

### COMMON ITEM : CONSULT Function (BCM - COMMON ITEM)

INFOID:000000008454096

### APPLICATION ITEM

CONSULT performs the following functions via CAN communication with BCM.

Diagnosis mode	Function Description
Work Support	Changes the setting for each system function.
Self Diagnostic Result	Displays the diagnosis results judged by BCM.
CAN Diag Support Monitor	Monitors the reception status of CAN communication viewed from BCM.
Data Monitor	The BCM input/output signals are displayed.
Active Test	The signals used to activate each device are forcibly supplied from BCM.
Ecu Identification	The BCM part number is displayed.
Configuration	<ul style="list-style-type: none"> <li>Read and save the vehicle specification.</li> <li>Write the vehicle specification when replacing BCM.</li> </ul>

### SYSTEM APPLICATION

BCM can perform the following functions for each system.

#### NOTE:

It can perform the diagnosis modes except the following for all sub system selection items.

×: Applicable item

System	Sub system selection item	Diagnosis mode		
		Work Support	Data Monitor	Active Test
Door lock	DOOR LOCK	×	×	×
Rear window defogger	REAR DEFOGGER		×	×
Warning chime	BUZZER		×	×
Interior room lamp timer	INT LAMP	×	×	×
Exterior lamp	HEAD LAMP	×	×	×
Wiper and washer	WIPER	×	×	×
Turn signal and hazard warning lamps	FLASHER	×	×	×
<ul style="list-style-type: none"> <li>Automatic air conditioner</li> <li>Manual air conditioner</li> </ul>	AIR CONDITONER		×	×*
<ul style="list-style-type: none"> <li>Intelligent Key system</li> <li>Engine start system</li> </ul>	INTELLIGENT KEY	×	×	×
Combination switch	COMB SW		×	
Body control system	BCM	×		
NVIS - NATS	IMMU	×	×	×
Interior room lamp battery saver	BATTERY SAVER	×	×	×
Back door	TRUNK		×	
Vehicle security system	THEFT ALM	×	×	×
RAP system	RETAINED PWR		×	
Signal buffer system	SIGNAL BUFFER		×	×
TPMS	TPMS (AIR PRESSURE MONITOR)	×	×	×

\*: For models with automatic air conditioner, this model is not used.

### FREEZE FRAME DATA (FFD)

The BCM records the following vehicle condition at the time a particular DTC is detected, and displays on CONSULT.

# DIAGNOSIS SYSTEM (BCM)

[WITH INTELLIGENT KEY SYSTEM]

< SYSTEM DESCRIPTION >

CONSULT screen item	Indication/Unit	Description	
Vehicle Speed	km/h	Vehicle speed of the moment a particular DTC is detected	
Odo/Trip Meter	km	Total mileage (Odometer value) of the moment a particular DTC is detected	
Vehicle Condition	SLEEP>LOCK	Power position status of the moment a particular DTC is detected	While turning BCM status from low power consumption mode to normal mode (Power supply position is "LOCK"*)
	SLEEP>OFF		While turning BCM status from low power consumption mode to normal mode (Power supply position is "OFF".)
	LOCK>ACC		While turning power supply position from "LOCK"* to "ACC"
	ACC>ON		While turning power supply position from "ACC" to "IGN"
	RUN>ACC		While turning power supply position from "RUN" to "ACC" (Vehicle is stopping and selector lever is except P position.)
	CRANK>RUN		While turning power supply position from "CRANKING" to "RUN" (From cranking up the engine to run it)
	RUN>URGENT		While turning power supply position from "RUN" to "ACC" (Emergency stop operation)
	ACC>OFF		While turning power supply position from "ACC" to "OFF"
	OFF>LOCK		While turning power supply position from "OFF" to "LOCK"*
	OFF>ACC		While turning power supply position from "OFF" to "ACC"
	ON>CRANK		While turning power supply position from "IGN" to "CRANKING"
	OFF>SLEEP		While turning BCM status from normal mode (Power supply position is "OFF".) to low power consumption mode
	LOCK>SLEEP		While turning BCM status from normal mode (Power supply position is "LOCK"*. ) to low power consumption mode
	LOCK		Power supply position is "LOCK"*
	OFF		Power supply position is "OFF" (Ignition switch OFF)
	ACC		Power supply position is "ACC" (Ignition switch ACC)
	ON		Power supply position is "IGN" (Ignition switch ON with engine stopped)
ENGINE RUN	Power supply position is "RUN" (Ignition switch ON with engine running)		
CRANKING	Power supply position is "CRANKING" (At engine cranking)		
IGN Counter	0 - 39	The number of times that ignition switch is turned ON after DTC is detected <ul style="list-style-type: none"> <li>• The number is 0 when a malfunction is detected now.</li> <li>• The number increases like 1 → 2 → 3...38 → 39 after returning to the normal condition whenever ignition switch OFF → ON.</li> <li>• The number is fixed to 39 until the self-diagnosis results are erased if it is over 39.</li> </ul>	

**NOTE:**

\*: Power position shifts to "LOCK" from "OFF", when ignition switch is in the OFF position, selector lever is in the P position (CVT models), and any of the following conditions are met.

- Closing door
- Opening door
- Door is locked using door request switch
- Door is locked using Intelligent Key

The power position shifts to "ACC" when the push-button ignition switch (push switch) is pushed at "LOCK".

## DOOR LOCK

### DOOR LOCK : CONSULT Function (BCM - DOOR LOCK)

INFOID:000000008907423

#### BCM CONSULT FUNCTION

CONSULT performs the following functions via CAN communication with BCM.

# DIAGNOSIS SYSTEM (BCM)

[WITH INTELLIGENT KEY SYSTEM]

## < SYSTEM DESCRIPTION >

Diagnosis mode	Function Description
WORK SUPPORT	Changes the setting for each system function
DATA MONITOR	The BCM input/output signals are displayed
ACTIVE TEST	The signals used to activate each device are forcibly supplied from BCM

## WORK SUPPORT

Monitor item	Description
DOOR LOCK-UNLOCK SET	Selective unlock function mode can be changed to operation with this mode <ul style="list-style-type: none"> <li>• On: Operate</li> <li>• Off: Non-operation</li> </ul>
AUTOMATIC DOOR LOCK SELECT	Automatic door lock function mode can be selected from the following in this mode <ul style="list-style-type: none"> <li>• VH SPD: All doors are locked when vehicle speed more than 24km/h (15MPH)</li> <li>• P RANGE*: All doors are locked when shifting the selector lever from P position to other than the P position</li> </ul>
AUTOMATIC DOOR UNLOCK SELECT	Automatic door unlock function mode can be selected from the following in the mode <ul style="list-style-type: none"> <li>• MODE 1: All doors are unlocked when the power supply position is changed from ON to OFF</li> <li>• MODE 2*: All doors are unlocked when shifting the selector lever from any position other than the P to P position</li> <li>• MODE 3: Driver side door is unlocked when the power supply position is changed from ON to OFF</li> <li>• MODE 4*: Driver side door is unlocked when shifting the selector lever from any position other than the P to P position</li> <li>• MODE 5: This item is displayed, but cannot be monitored</li> <li>• MODE 6: This item is displayed, but cannot be monitored</li> </ul>
AUTOMATIC LOCK/UNLOCK SET	Automatic door lock/unlock function mode can be selected from the following in this mode. <ul style="list-style-type: none"> <li>• Off: non-operational</li> <li>• Unlock Only: door unlock operation only</li> <li>• Lock Only: door lock operation only</li> <li>• Lock/Unlock: lock/unlock operation</li> </ul>

\*: P range interlock door lock can be selected for M/T models, but automatic door lock/unlock function does not operate.

## DATA MONITOR

### NOTE:

The following table includes information (items) inapplicable to this vehicle. For information (items) applicable to this vehicle, refer to CONSULT display items.

Monitor Item	Contents
REQ SW-DR	Indicated [On/Off] condition of door request switch (driver side)
REQ SW-AS	Indicated [On/Off] condition of door request switch (passenger side)
REQ SW-BD/TR	Indicated [On/Off] condition of back door request switch
DOOR SW-DR	Indicated [On/Off] condition of front door switch (driver side)
DOOR SW-AS	Indicated [On/Off] condition of front door switch (passenger side)
DOOR SW-RR	Indicated [On/Off] condition of rear door switch RH
DOOR SW-RL	Indicated [On/Off] condition of rear door switch LH
DOOR SW-BK	Indicated [On/Off] condition of back door switch
CDL LOCK SW	Indicated [On/Off] condition of lock signal from door lock unlock switch
CDL UNLOCK SW	Indicated [On/Off] condition of unlock signal from door lock unlock switch
KEY CYL LK-SW	Indicated [On/Off] condition of lock signal from door key cylinder
KEY CYL UN-SW	Indicated [On/Off] condition of unlock signal from door key cylinder

## ACTIVE TEST

# DIAGNOSIS SYSTEM (BCM)

[WITH INTELLIGENT KEY SYSTEM]

< SYSTEM DESCRIPTION >

Test item	Description
DOOR LOCK	This test is able to check door lock/unlock operation <ul style="list-style-type: none"><li>• The all door lock actuators are locked when "ALL LOCK" on CONSULT screen is touched</li><li>• The all door lock actuators are unlocked when "ALL UNLK" on CONSULT screen is touched</li><li>• The door lock actuator (driver side) is unlocked when "DR UNLK" on CONSULT screen is touched</li><li>• The door lock actuator (passenger side) is unlocked when "AS UNLK" on CONSULT screen is touched</li><li>• The door lock actuator (other) is unlocked when "OTR ULK" on CONSULT screen is touched</li></ul>

## REAR WINDOW DEFOGGER

### REAR WINDOW DEFOGGER : CONSULT Function (BCM - REAR DEFOGGER)

INFOID:000000008907491

#### DATA MONITOR

**NOTE:**

The following table includes information (items) inapplicable to this vehicle. For information (items) applicable to this vehicle, refer to CONSULT display items.

Monitor Item	Description
PUSH SW	Indicates [ON/OFF] condition of push switch.
REAR DEF SW	This is displayed even when it is not equipped.

#### ACTIVE TEST

Test Item	Description
REAR DEFOGGER	Rear window defogger operates when "ON" on CONSULT screen is touched.

## BUZZER

### BUZZER : CONSULT Function (BCM - BUZZER)

INFOID:000000008907821

#### CONSULT APPLICATION ITEMS

Test item	Diagnosis mode	Description
BUZZER	Data Monitor	Displays BCM input data in real time.
	Active Test	Operation of electrical loads can be checked by sending driving signal to them.

#### DATA MONITOR

**NOTE:**

The following table includes information (items) inapplicable to this vehicle. For information (items) applicable to this vehicle, refer to CONSULT display items.

Display item [Unit]	Description
PUSH SW [On/Off]	Status of push-button ignition switch judged by BCM.
UNLK SEN-DR [On/Off]	Status of unlock sensor judged by BCM.
VEH SPEED 1 [km/h]	Value of vehicle speed signal received from combination meter with CAN communication line.
TAIL LAMP SW [On/Off]	Status of lighting switch judged by BCM using the combination switch readout function.
FR FOG SW [On/Off]	Status of front fog lamp switch judged by BCM using the combination switch readout function.

A  
B  
C  
D  
E  
F  
G  
H  
I  
J  
K  
L  
N  
O  
P

BCS

# DIAGNOSIS SYSTEM (BCM)

[WITH INTELLIGENT KEY SYSTEM]

## < SYSTEM DESCRIPTION >

Display item [Unit]	Description
DOOR SW-DR [On/Off]	Status of driver side door switch judged by BCM.
CDL LOCK SW [On/Off]	Status of door lock unlock switch judged by BCM.

## ACTIVE TEST

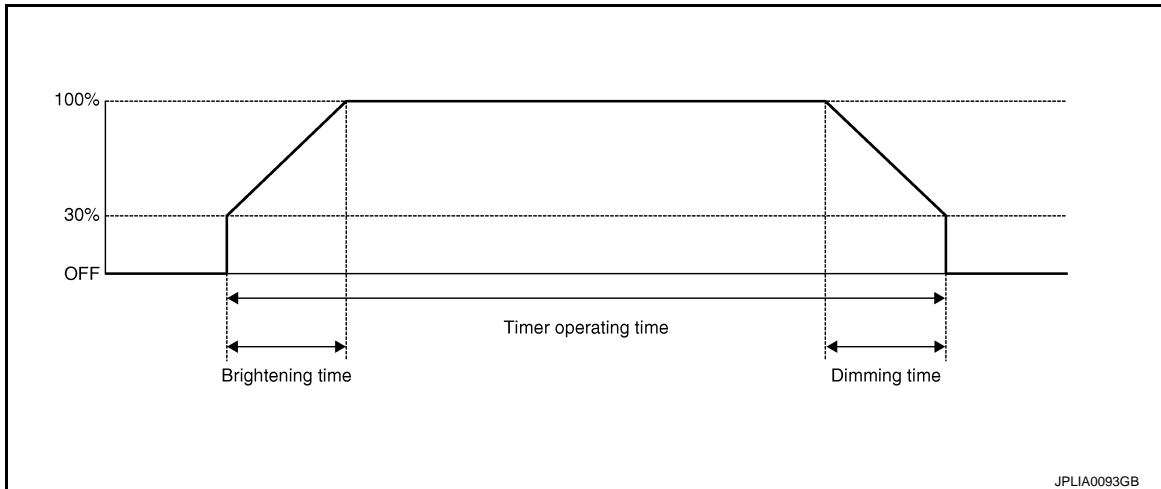
Display item [Unit]	Description
SEAT BELT WARN TEST	The seat belt warning chime operation can be checked by operating the relevant function (On/Off).
ID REGIST WARNING	The ID regist warning chime operation can be checked by operating the relevant function (On/Off).
LIGHT WARN ALM	The light warning chime operation can be checked by operating the relevant function (On/Off).

## INT LAMP

### INT LAMP : CONSULT Function (BCM - INT LAMP)

INFOID:000000008907488

## WORK SUPPORT



Service item	Setting item	Setting	
ROOM LAMP TIMER SET	MODE 2	7.5 sec.	Sets the interior room lamp ON time. (Timer operating time)
	MODE 3*	15 sec.	
	MODE 4	30 sec.	
SET I/L D-UNLCK INTCON	On*	With the interior room lamp timer function	
	Off	Without the interior room lamp timer function	
ROOM LAMP ON TIME SET	MODE 1	0.5 sec.	Sets the interior room lamp gradual brightening time.
	MODE 2*	1 sec.	
	MODE 3	2 sec.	
	MODE 4	3 sec.	
	MODE 5	0 sec.	
ROOM LAMP OFF TIME SET	MODE 1	0.5 sec.	Sets the interior room lamp gradual dimming time.
	MODE 2*	1 sec.	
	MODE 3	2 sec.	
	MODE 4	3 sec.	
	MODE 5	0 sec.	



# DIAGNOSIS SYSTEM (BCM)

[WITH INTELLIGENT KEY SYSTEM]

## < SYSTEM DESCRIPTION >

Service item	Setting item	Setting
R LAMP TIMER LOGIC SET	MODE 1*	Interior room lamp timer activates with synchronizing all doors.
	MODE 2	Interior room lamp timer activates with synchronizing the driver door only.

\*: Factory setting

## DATA MONITOR

### NOTE:

The following table includes information (items) inapplicable to this vehicle. For information (items) applicable to this vehicle, refer to CONSULT display items.

Monitor item [Unit]	Description
REQ SW-DR [On/Off]	Indicated [On/Off] condition of door request switch (driver side)
REQ SW-AS [On/Off]	Indicated [On/Off] condition of door request switch (passenger side)
REQ SW-RR [On/Off]	<b>NOTE:</b> This item is displayed, but cannot be monitored
REQ SW-RL [On/Off]	<b>NOTE:</b> This item is displayed, but cannot be monitored
PUSH SW [On/Off]	Indicates [On/Off] condition of push-button ignition switch
UNLK SEN -DR [On/Off]	Indicates [On/Off] condition of driver door UNLOCK status
DOOR SW-DR [On/Off]	Indicated [On/Off] condition of front door switch (driver side)
DOOR SW-AS [On/Off]	Indicated [On/Off] condition of front door switch (passenger side)
DOOR SW-RR [On/Off]	Indicated [On/Off] condition of rear door switch RH
DOOR SW- RL [On/Off]	Indicated [On/Off] condition of rear door switch LH
DOOR SW- BK [On/Off]	Indicated [On/Off] condition of back door switch
CDL LOCK SW [On/Off]	Indicated [On/Off] condition of lock signal from door lock unlock switch
CDL UNLOCK SW [On/Off]	Indicated [On/Off] condition of unlock signal from door lock unlock switch
KEY CYL LK-SW [On/Off]	Indicated [On/Off] condition of lock signal from door key cylinder
KEY CYL UN-SW [On/Off]	Indicated [On/Off] condition of unlock signal from door key cylinder
TRNK/HAT MNTR [On/Off]	<b>NOTE:</b> This item is displayed, but cannot be monitored
RKE-LOCK [On/Off]	Indicates [On/Off] condition of LOCK signal from Intelligent Key
RKE-UNLOCK [On/Off]	Indicates [On/Off] condition of UNLOCK signal from Intelligent Key

## ACTIVE TEST

Test item	Operation	Description
INT LAMP	On	Outputs the interior room lamp control signal.
	Off	Stops the interior room lamp control signal.

# DIAGNOSIS SYSTEM (BCM)

[WITH INTELLIGENT KEY SYSTEM]

< SYSTEM DESCRIPTION >

## HEADLAMP

### HEADLAMP : CONSULT Function (BCM - HEAD LAMP)

INFOID:000000008907429

#### WORK SUPPORT

For USA

Service item	Setting item	Setting
AUTO LIGHT LOGIC SET	MODE 1*	With twilight ON custom & with wiper INT, LO and HI
	MODE 2	With twilight ON custom & with wiper LO and HI
	MODE 3	With twilight ON custom & without
	MODE 4	Without twilight ON custom & with wiper INT, LO and HI
	MODE 5	Without twilight ON custom & with wiper LO and HI
	MODE 6	Without twilight ON custom & without
CUSTOM A/LIGHT SETTING	MODE 1*	Normal
	MODE 2	More sensitive setting than normal setting (Turns ON earlier than normal operation.)
	MODE 3	More sensitive setting than MODE 2 (Turns ON earlier than MODE 2.)
	MODE 4	Without twilight ON custom & less sensitive setting than normal setting (Turns ON later than normal operation.)
BATTERY SAVER SET	On*	With the exterior lamp battery saver function
	Off	Without the exterior lamp battery saver function
ILL DELAY SET	MODE 1*	45 sec.
	MODE 2	Without the function
	MODE 3	30 sec.
	MODE 4	60 sec.
	MODE 5	90 sec.
	MODE 6	120 sec.
	MODE 7	150 sec.
	MODE 8	180 sec.

Sets delay timer function timer operation time.  
(All doors closed)

\*: Factory setting

For CANADA

Service item	Setting item	Setting
AUTO LIGHT LOGIC SET	MODE 1	<b>NOTE:</b> The item is indicated, but not operated.
	MODE 2	
	MODE 3	
	MODE 4	
	MODE 5	
	MODE 6	
CUSTOM A/LIGHT SETTING	MODE 1*	Normal
	MODE 2	More sensitive setting than normal setting (Turns ON earlier than normal operation.)
	MODE 3	More sensitive setting than MODE 2 (Turns ON earlier than MODE 2.)
	MODE 4	Less sensitive setting than normal setting (Turns ON later than normal operation.)
BATTERY SAVER SET	On*	With the exterior lamp battery saver function
	Off	Without the exterior lamp battery saver function

# DIAGNOSIS SYSTEM (BCM)

< SYSTEM DESCRIPTION >

[WITH INTELLIGENT KEY SYSTEM]

Service item	Setting item	Setting
ILL DELAY SET	MODE 1*	45 sec.
	MODE 2	Without the function
	MODE 3	30 sec.
	MODE 4	60 sec.
	MODE 5	90 sec.
	MODE 6	120 sec.
	MODE 7	150 sec.
	MODE 8	180 sec.

Sets delay timer function timer operation time.  
(All doors closed)

\*: Factory setting

## DATA MONITOR

### NOTE:

The following table includes information (items) inapplicable to this vehicle. For information (items) applicable to this vehicle, refer to CONSULT display items.

Monitor item [Unit]	Description
PUSH SW [On/Off]	Indicates [On/Off] condition of push-button ignition switch
ENGINE STATE [Stop/Stall/Crank/Run]	Indicates [Stop/Stall/Crank/Run] condition of engine states
VEH SPEED 1 [km/h]	Display the vehicle speed signal received from combination meter by numerical value [Km/h]
TURN SIGNAL R [On/Off]	Each switch status that BCM judges from the combination switch reading function
TURN SIGNAL L [On/Off]	
TAIL LAMP SW [On/Off]	
HI BEAM SW [On/Off]	
HEAD LAMP SW1 [On/Off]	
HEAD LAMP SW2 [On/Off]	
PASSING SW [On/Off]	
AUTO LIGHT SW [On/Off]	
FR FOG SW [On/Off]	
DOOR SW-DR [On/Off]	
DOOR SW-AS [On/Off]	Indicated [On/Off] condition of front door switch (passenger side)
DOOR SW-RR [On/Off]	Indicated [On/Off] condition of rear door switch RH
DOOR SW- RL [On/Off]	Indicated [On/Off] condition of rear door switch LH
DOOR SW-BK [On/Off]	Indicated [On/Off] condition of back door switch

A

B

C

D

E

F

G

H

I

J

K

L

BCS

N

O

P

# DIAGNOSIS SYSTEM (BCM)

[WITH INTELLIGENT KEY SYSTEM]

## < SYSTEM DESCRIPTION >

Monitor item [Unit]	Description
OPTI SEN (DTCT) [V]	The value of outside brightness voltage input from the optical sensor
OPTI SEN (FILT) [V]	The value of outside brightness voltage filtered by BCM
OPTICAL SENSOR [On/Off]	The sensor status input from optical sensor

## ACTIVE TEST

Test item	Operation	Description
TAIL LAMP	On	Transmits the position light request signal to IPDM E/R with CAN communication to turn the tail lamp ON.
	Off	Stops the tail lamp request signal transmission.
HEAD LAMP	Hi	Transmits the high beam request signal with CAN communication to turn the headlamp (HI).
	Lo	Transmits the low beam request signal with CAN communication to turn the headlamp (LO).
	Off	Stops the high & low beam request signal transmission.
FR FOG LAMP	On	Transmits the front fog lights request signal to IPDM E/R with CAN communication to turn the front fog lamp ON.
	Off	Stops the front fog lights request signal transmission.
ILL DIM SIGNAL	On	<b>NOTE:</b> The item is indicated, but cannot be tested.
	Off	

## WIPER

### WIPER : CONSULT Function (BCM - WIPER)

INFOID:000000008907490

## WORK SUPPORT

Service item	Setting item	Description
WIPER SPEED SETTING	On	With vehicle speed (Front wiper intermittent time linked with the vehicle speed and wiper intermittent dial position)
	Off*	Without vehicle speed (Front wiper intermittent time linked with the wiper intermittent dial position)

\*:Factory setting

## DATA MONITOR

### NOTE:

The following table includes information (items) inapplicable to this vehicle. For information (items) applicable to this vehicle, refer to CONSULT display items.

Monitor Item [Unit]	Description
PUSH SW [Off/On]	The switch status input from push-button ignition switch.
VEH SPEED 1 [km/h]	The value of the vehicle speed signal received from combination meter with CAN communication.

# DIAGNOSIS SYSTEM (BCM)

[WITH INTELLIGENT KEY SYSTEM]

## < SYSTEM DESCRIPTION >

Monitor Item [Unit]	Description
FR WIPER HI [Off/On]	Each switch status that BCM judges from the combination switch reading function.
FR WIPER LOW [Off/On]	
FR WASHER SW [Off/On]	
FR WIPER INT [Off/On]	
FR WIPER STOP [Off/On]	Front wiper motor (stop position) status received from IPDM E/R with CAN communication.
INT VOLUME [1 – 7]	Each switch status that BCM judges from the combination switch reading function.
RR WIPER ON [Off/On]	Each switch status that BCM judges from the combination switch reading function.
RR WIPER INT [Off/On]	
RR WASHER SW [Off/On]	
RR WIPER STOP [Off/On]	Rear wiper motor (stop position) status input from the rear wiper motor.
RAIN SENSOR [Off/On]	<b>NOTE:</b> The item is indicated, but not monitored.

## ACTIVE TEST

Test item	Operation	Description
FR WIPER	Hi	Transmits the front wiper request signal (HI) to IPDM E/R with CAN communication to operate the front wiper HI operation.
	Lo	Transmits the front wiper request signal (LO) to IPDM E/R with CAN communication to operate the front wiper LO operation.
	INT	Transmits the front wiper request signal (INT) to IPDM E/R with CAN communication to operate the front wiper INT operation.
	Off	Stops transmitting the front wiper request signal to stop the front wiper operation.
RR WIPER	On	Outputs the voltage to operate the rear wiper motor.
	Off	Stops the voltage to stop.

## FLASHER

### FLASHER : CONSULT Function (BCM - FLASHER)

INFOID:000000008907487

## WORK SUPPORT

Service item	Setting item	Setting
HAZARD ANSWER BACK	Lock Only	With locking only
	Unlk Only	With unlocking only
	Lock/Unlk*	With locking/unlocking
	Off	Without the function
		Sets the hazard warning lamp answer back function when the door is lock/unlock with the request switch or the key fob.

\*: Factory setting

## DATA MONITOR

### NOTE:

The following table includes information (items) inapplicable to this vehicle. For information (items) applicable to this vehicle, refer to CONSULT display items.

# DIAGNOSIS SYSTEM (BCM)

[WITH INTELLIGENT KEY SYSTEM]

## < SYSTEM DESCRIPTION >

Monitor item [Unit]	Description
REQ SW-DR [On/Off]	Indicated [On/Off] condition of door request switch (driver side)
REQ SW-AS [On/Off]	Indicated [On/Off] condition of door request switch (passenger side)
PUSH SW [On/Off]	Indicates [On/Off] condition of push-button ignition switch
TURN SIGNAL R [On/Off]	Each switch status that BCM detects from the combination switch reading function
TURN SIGNAL L [On/Off]	
HAZARD SW [On/Off]	The switch status input from the hazard switch
RKE-LOCK [On/Off]	Indicates [On/Off] condition of LOCK signal from Intelligent Key
RKE-UNLOCK [On/Off]	Indicates [On/Off] condition of UNLOCK signal from Intelligent Key
RKE-PANIC [On/Off]	Indicates [On/Off] condition of PANIC button of Intelligent Key

## ACTIVE TEST

Test item	Operation	Description
FLASHER	RH	Outputs the voltage to turn the right side turn signal lamps ON.
	LH	Outputs the voltage to turn the left side turn signal lamps ON.
	Off	Stops the voltage to turn the turn signal lamps OFF.

## AIR CONDITIONER

### AIR CONDITIONER : CONSULT Function (BCM - AIR CONDITIONER) (Automatic A/C)

INFOID:000000008907492

#### DATA MONITOR

**NOTE:**

The following table includes information (items) inapplicable to this vehicle. For information (items) applicable to this vehicle, refer to CONSULT display items.

Display Item List

Monitor Item [Unit]	Contents
FAN ON SIG [On/Off]	Displays the blower fan status as judged from the A/C auto amp.
AIR COND SW [On/Off]	Displays [COMP (On)/COMP (Off)] status as judged from the A/C auto amp.

### AIR CONDITIONER : CONSULT Function (BCM - AIR CONDITIONER) (Manual A/C)

INFOID:000000008907493

#### DATA MONITOR

**NOTE:**

The following table includes information (items) inapplicable to this vehicle. For information (items) applicable to this vehicle, refer to CONSULT display items.

Display Item List

# DIAGNOSIS SYSTEM (BCM)

[WITH INTELLIGENT KEY SYSTEM]

## < SYSTEM DESCRIPTION >

Monitor Item [Unit]	Contents
FAN ON SIG [On/Off]	Displays the blower fan status as judged from the fan switch signal.
AIR COND SW [On/Off]	Displays [COMP (On)/COMP (Off)] status as judged from the air conditioner switch signal.

## ACTIVE TEST

Test item	Operation	Description
A/C INDICATOR	On	A/C indicator is turned ON.
	Off	A/C indicator is turned OFF.

## INTELLIGENT KEY

### INTELLIGENT KEY : CONSULT Function (BCM - INTELLIGENT KEY)

INFOID:0000000008907424

## WORK SUPPORT

Monitor item	Description
CONFIRM KEY FOB ID	It can be checked whether Intelligent Key ID code is registered or not in this mode
AUTO LOCK SET	Auto door lock time can be changed in this mode <ul style="list-style-type: none"> <li>• MODE 1: OFF</li> <li>• MODE 2: 30 sec</li> <li>• MODE 3: 1 minute</li> <li>• MODE 4: 2 minutes</li> <li>• MODE 5: 3 minutes</li> <li>• MODE 6: 4 minutes</li> <li>• MODE 7: 5 minutes</li> </ul>
LOCK/UNLOCK BY I-KEY	Door lock/unlock function by door request switch mode can be changed to operation in this mode <ul style="list-style-type: none"> <li>• On: Operate</li> <li>• Off: Non-operation</li> </ul>
ENGINE START BY I-KEY	Engine start function mode can be changed to operation with this mode <ul style="list-style-type: none"> <li>• On: Operate</li> <li>• Off: Non-operation</li> </ul>
TRUNK/GLASS HATCH OPEN	<b>NOTE:</b> This item is displayed, but cannot be monitored
PANIC ALARM SET	Panic alarm button pressing time on Intelligent Key remote control button can be selected from the following with this mode <ul style="list-style-type: none"> <li>• MODE 1: 0.5 sec</li> <li>• MODE 2: Non-operation</li> <li>• MODE 3: 1.5 sec</li> </ul>
TRUNK OPEN DELAY	<b>NOTE:</b> This item is displayed, but cannot be monitored
LO- BATT OF KEY FOB WARN	Intelligent Key low battery warning mode can be changed to operation with this mode <ul style="list-style-type: none"> <li>• On: Operate</li> <li>• Off: Non-operation</li> </ul>
ANTI KEY LOCK IN FUNCTI	Key reminder function mode can be changed to operation with this mode <ul style="list-style-type: none"> <li>• On: Operate</li> <li>• Off: Non-operation</li> </ul>
HAZARD ANSWER BACK	Hazard reminder function mode by door request switch and Intelligent Key button can be selected from the following with this mode <ul style="list-style-type: none"> <li>• Lock Only: Door lock operation only</li> <li>• Unlock Only: Door unlock operation only</li> <li>• Lock/Unlock: Lock/unlock operation</li> <li>• Off: Non-operation</li> </ul>

A  
B  
C  
D  
E  
F  
G  
H  
I  
J  
K  
L  
N  
O  
P



# DIAGNOSIS SYSTEM (BCM)

[WITH INTELLIGENT KEY SYSTEM]

## < SYSTEM DESCRIPTION >

Monitor item	Description
ANS BACK I-KEY LOCK	Buzzer reminder function (lock operation) mode by door request switch (driver side and passenger side) can be selected from the following with this mode <ul style="list-style-type: none"> <li>• Horn Chirp: Sound horn</li> <li>• Buzzer: Sound Intelligent Key warning buzzer</li> <li>• Off: Non-operation</li> </ul>
ANS BACK I-KEY UNLOCK	Buzzer reminder function (unlock operation) mode by door request switch can be changed to operation with this mode <ul style="list-style-type: none"> <li>• On: Operate</li> <li>• Off: Non-operation</li> </ul>
SHORT CRANKING OUTPUT	Starter motor can operate during the times below
INSIDE ANT DIAGNOSIS	This function allows inside key antenna self-diagnosis
HORN WITH KEYLESS LOCK	Horn reminder function mode by Intelligent Key button can be changed to operate (ON) or not operate (OFF) with this mode <ul style="list-style-type: none"> <li>• On: Operate</li> <li>• Off: Non-operation</li> </ul>

## SELF-DIAG RESULT

Refer to [BCS-76, "DTC Index"](#).

## DATA MONITOR

### NOTE:

The following table includes information (items) inapplicable to this vehicle. For information (items) applicable to this vehicle, refer to CONSULT display items.

Monitor Item	Condition
REQ SW -DR	Indicates [On/Off] condition of door request switch (driver side)
REQ SW -AS	Indicates [On/Off] condition of door request switch (passenger side)
REQ SW -BD/TR	Indicates [On/Off] condition of back door request switch
PUSH SW	Indicates [On/Off] condition of push-button ignition switch
CLUTCH SW* <sup>1</sup>	Indicates [On/Off] condition of clutch switch
BRAKE SW 1	Indicates [On/Off]* <sup>2</sup> condition of brake switch power supply
BRAKE SW 2	Indicates [On/Off] condition of brake switch
DETE/CANCL SW	Indicates [On/Off] condition of P position
SFT PN/N SW	Indicates [On/Off] condition of P or N position
S/L -LOCK	<b>NOTE:</b> This item is displayed, but cannot be monitored
S/L -UNLOCK	<b>NOTE:</b> This item is displayed, but cannot be monitored
S/L RELAY -F/B	<b>NOTE:</b> This item is displayed, but cannot be monitored
UNLK SEN -DR	Indicates [On/Off] condition of driver door UNLOCK status
PUSH SW -IPDM	Indicates [On/Off] condition of push-button ignition switch
IGN RLY1 -F/B	Indicates [On/Off] condition of ignition relay 1
DETE SW -IPDM	Indicates [On/Off] condition of P position
SFT PN -IPDM	Indicates [On/Off] condition of P or N position
SFT P -MET	Indicates [On/Off] condition of P position
SFT N -MET	Indicates [On/Off] condition of N position
ENGINE STATE	Indicates [Stop/Stall/Crank/Run] condition of engine states
S/L LOCK-IPDM	<b>NOTE:</b> This item is displayed, but cannot be monitored
S/L UNLK-IPDM	<b>NOTE:</b> This item is displayed, but cannot be monitored



# DIAGNOSIS SYSTEM (BCM)

[WITH INTELLIGENT KEY SYSTEM]

## < SYSTEM DESCRIPTION >

Monitor Item	Condition
S/L RELAY-REQ	<b>NOTE:</b> This item is displayed, but cannot be monitored
VEH SPEED 1	Display the vehicle speed signal received from combination meter by numerical value [Km/h]
VEH SPEED 2	Display the vehicle speed signal received from ABS or VDC or TCM by numerical value [Km/h]
DOOR STAT-DR	Indicates [LOCK/READY/UNLK] condition of driver side door status
DOOR STAT-AS	Indicates [LOCK/READY/UNLK] condition of passenger side door status
ID OK FLAG	Indicates [Set/Reset] condition of key ID
PRMT ENG STRT	Indicates [Set/Reset] condition of engine start possibility
PRMT RKE STRT	<b>NOTE:</b> This item is displayed, but cannot be monitored
TRNK/HAT MNTR	<b>NOTE:</b> This item is displayed, but cannot be monitored
RKE-LOCK	Indicates [On/Off] condition of LOCK signal from Intelligent Key
RKE-UNLOCK	Indicates [On/Off] condition of UNLOCK signal from Intelligent Key
RKE-TR/BD	<b>NOTE:</b> This item is displayed, but cannot be monitored
RKE-PANIC	Indicates [On/Off] condition of PANIC button of Intelligent Key
RKE-MODE CHG	Indicates [On/Off] condition of MODE CHANGE signal from Intelligent Key
RKE OPE COUN1	When remote keyless entry receiver receives the signal transmitted while operating on Intelligent Key, the numerical value start changing
RKE OPE COUN2	<b>NOTE:</b> This item is displayed, but cannot be monitored

\*1: It is displayed but does not operate on M/T models.

\*2: OFF is displayed when brake pedal is depressed while brake switch power supply is OFF.

## ACTIVE TEST

Test item	Description
BATTERY SAVER	This test is able to check interior room lamp operation <ul style="list-style-type: none"> <li>• On: Operate</li> <li>• Off: Non-operation</li> </ul>
OUTSIDE BUZZER	This test is able to check Intelligent Key warning buzzer operation <ul style="list-style-type: none"> <li>• On: Operate</li> <li>• Off: Non-operation</li> </ul>
INSIDE BUZZER	This test is able to check warning chime in combination meter operation <ul style="list-style-type: none"> <li>• Take out: Take away warning chime sounds when CONSULT screen is touched</li> <li>• Key: Key warning chime sounds when CONSULT screen is touched</li> <li>• Knob: OFF position warning chime sounds when CONSULT screen is touched</li> </ul>
INDICATOR	This test is able to check warning lamp operation <ul style="list-style-type: none"> <li>• KEY ON: "KEY" Warning lamp illuminates when CONSULT screen is touched</li> <li>• "KEY" Warning lamp blinks when CONSULT screen is touched</li> </ul>
INT LAMP	This test is able to check interior room lamp operation <ul style="list-style-type: none"> <li>• On: Operate</li> <li>• Off: Non-operation</li> </ul>

# DIAGNOSIS SYSTEM (BCM)

[WITH INTELLIGENT KEY SYSTEM]

## < SYSTEM DESCRIPTION >

Test item	Description
LCD	This test is able to check meter display information <ul style="list-style-type: none"> <li>• BP N: Engine start operation indicator lamp indicate when CONSULT screen is touched</li> <li>• BP I: Engine start operation indicator lamp indicate when CONSULT screen is touched</li> <li>• ID NG: This item is displayed, but cannot be monitored</li> <li>• ROTAT: This item is displayed, but cannot be monitored</li> <li>• SFT P: Shift P warning lamp indicate when CONSULT screen is touched</li> <li>• INSR T: This item is displayed, but cannot be monitored</li> <li>• BATT: Key warning lamp indicator when CONSULT screen is touched</li> <li>• NO KY: This item is displayed, but cannot be monitored</li> <li>• OUTKEY: Engine start operation indicator lamp indicate when CONSULT screen is touched</li> <li>• LK WN: Engine start operation indicator lamp indicate when CONSULT screen is touched</li> </ul>
FLASHER	This test is able to check security hazard lamp operation The hazard lamps are activated after "LH/RH/Off" on CONSULT screen is touched
HORN	This test is able to check horn operation The horn is activated after "ON" on CONSULT screen is touched
P RANGE	This test is able to check CVT shift selector power supply <ul style="list-style-type: none"> <li>• On: Operate</li> <li>• Off: Non-operation</li> </ul>
ENGINE SW ILLUMI	This test is able to check push-ignition switch illumination operation Push-ignition switch illumination illuminates when "ON" on CONSULT screen is touched
PUSH SWITCH INDICATOR	This test is able to check LOCK indicator in push-ignition switch operation LOCK indicator in push-ignition switch illuminates when "ON" on CONSULT screen is touched
TRUNK/BACK DOOR	<b>NOTE:</b> This item is displayed, but cannot be monitored

## COMB SW

### COMB SW : CONSULT Function (BCM - COMB SW)

INFOID:000000008454107

## DATA MONITOR

### NOTE:

The following table includes information (items) inapplicable to this vehicle. For information (items) applicable to this vehicle, refer to CONSULT display items.

Monitor item [UNIT]	Description
FR WIPER HI [Off/On]	Displays the status of the FR WIPER HI switch in combination switch judged by BCM with the combination switch reading function.
FR WIPER LOW [Off/On]	Displays the status of the FR WIPER LOW switch in combination switch judged by BCM with the combination switch reading function.
FR WASHER SW [Off/On]	Displays the status of the FR WASHER switch in combination switch judged by BCM with the combination switch reading function.
FR WIPER INT [Off/On]	Displays the status of the FR WIPER INT switch in combination switch judged by BCM with the combination switch reading function.
INT VOLUME [1 - 7]	Displays the status of wiper intermittent dial position judged by BCM with the combination switch reading function.
RR WIPER ON [Off/On]	Displays the status of the RR WIPER ON switch in combination switch judged by BCM with the combination switch reading function.
RR WIPER INT [Off/On]	Displays the status of the RR WIPER INT switch in combination switch judged by BCM with the combination switch reading function.
RR WASHER SW [Off/On]	Displays the status of the RR WASHER switch in combination switch judged by BCM with the combination switch reading function.
TURN SIGNAL R [Off/On]	Displays the status of the TURN RH switch in combination switch judged by BCM with the combination switch reading function.
TURN SIGNAL L [Off/On]	Displays the status of the TURN LH switch in combination switch judged by BCM with the combination switch reading function.

# DIAGNOSIS SYSTEM (BCM)

[WITH INTELLIGENT KEY SYSTEM]

## < SYSTEM DESCRIPTION >

Monitor item [UNIT]	Description
TAIL LAMP SW [Off/On]	Displays the status of the TAIL LAMP switch in combination switch judged by BCM with the combination switch reading function.
HI BEAM SW [Off/On]	Displays the status of the HI BEAM switch in combination switch judged by BCM with the combination switch reading function.
HEAD LAMP SW 1 [Off/On]	Displays the status of the HEADLAMP 1 switch in combination switch judged by BCM with the combination switch reading function.
HEAD LAMP SW 2 [Off/On]	Displays the status of the HEADLAMP 2 switch in combination switch judged by BCM with the combination switch reading function.
PASSING SW [Off/On]	Displays the status of the PASSING switch in combination switch judged by BCM with the combination switch reading function.
AUTO LIGHT SW [Off/On]	Displays the status of the AUTO LIGHT switch in combination switch judged by BCM with the combination switch reading function.
FR FOG SW [Off/On]	Displays the status of the FR FOG switch in combination switch judged by BCM with the combination switch reading function.

## BCM

### BCM : CONSULT Function (BCM - BCM)

INFOID:000000008454108

## WORK SUPPORT

Item	Description
RESET SETTING VALUE	Return a value set with Work Support of each system to a default value in factory shipment.

## IMMU

### IMMU : CONSULT Function (BCM - IMMU)

INFOID:000000008907427

## DATA MONITOR

### NOTE:

The following table includes information (items) inapplicable to this vehicle. For information (items) applicable to this vehicle, refer to CONSULT display items.

Monitor item	Content
CONFIRM ID ALL	Indicates [YET] at all time. Switches to [DONE] when a registered Intelligent Key backside is contacted to push-button ignition switch.
CONFIRM ID4	
CONFIRM ID3	
CONFIRM ID2	
CONFIRM ID1	
NOT REGISTERED	Indicates [ID OK] when key ID that is registered is received or is not yet received. Indicates [ID NG] when key ID that is not registered is received.
TP 4	Indicates the number of IDs that are registered.
TP 3	
TP 2	
TP 1	
PUSH SW	Indicates [ON/OFF] condition of push-button ignition switch.

## ACTIVE TEST

Test item	Description
THEFT IND	This test is able to check security indicator lamp operation. Security indicator lamp is turned on when "ON" on CONSULT screen touched.

## WORK SUPPORT

A  
B  
C  
D  
E  
F  
G  
H  
I  
J  
K  
L  
N  
O  
P

BCS

# DIAGNOSIS SYSTEM (BCM)

[WITH INTELLIGENT KEY SYSTEM]

< SYSTEM DESCRIPTION >

Service item	Description
CONFIRM DONGLE ID	It is possible to check that dongle unit is applied to the vehicle.

## BATTERY SAVER

### BATTERY SAVER : CONSULT Function (BCM - BATTERY SAVER)

INFOID:000000008907489

#### WORK SUPPORT

Service item	Setting item	Setting
ROOM LAMP TIMER SET	MODE 1	30 min.
	MODE 2	60 min.
	MODE 3*	15 min.
Sets the interior room lamp battery saver timer operating time.		
BATTERY SAVER SET	On*	With the exterior lamp battery saver function
	Off	Without the exterior lamp battery saver function
ROOM LAMP BAT SAV SET	On*	With the interior room lamp battery saver function
	Off	Without the interior room lamp battery saver function

\*:Factory setting

#### DATA MONITOR

##### NOTE:

The following table includes information (items) inapplicable to this vehicle. For information (items) applicable to this vehicle, refer to CONSULT display items.

Monitor item [Unit]	Description
REQ SW-DR [On/Off]	Indicated [On/Off] condition of door request switch (driver side)
REQ SW-AS [On/Off]	Indicated [On/Off] condition of door request switch (passenger side)
REQ SW-RR [On/Off]	<b>NOTE:</b> This item is displayed, but cannot be monitored
REQ SW-RL [On/Off]	<b>NOTE:</b> This item is displayed, but cannot be monitored
PUSH SW [On/Off]	Indicates [On/Off] condition of push-button ignition switch
UNLK SEN -DR [On/Off]	Indicates [On/Off] condition of driver door UNLOCK status
DOOR SW-DR [On/Off]	Indicated [On/Off] condition of front door switch (driver side)
DOOR SW-AS [On/Off]	Indicated [On/Off] condition of front door switch (passenger side)
DOOR SW-RR [On/Off]	Indicated [On/Off] condition of rear door switch RH
DOOR SW- RL [On/Off]	Indicated [On/Off] condition of rear door switch LH
DOOR SW- BK [On/Off]	Indicated [On/Off] condition of back door switch
CDL LOCK SW [On/Off]	Indicated [On/Off] condition of lock signal from door lock unlock switch
CDL UNLOCK SW [On/Off]	Indicated [On/Off] condition of unlock signal from door lock unlock switch

# DIAGNOSIS SYSTEM (BCM)

[WITH INTELLIGENT KEY SYSTEM]

## < SYSTEM DESCRIPTION >

Monitor item [Unit]	Description
KEY CYL LK-SW [On/Off]	Indicated [On/Off] condition of lock signal from door key cylinder
KEY CYL UN-SW [On/Off]	Indicated [On/Off] condition of unlock signal from door key cylinder
TRNK/HAT MNTR [On/Off]	<b>NOTE:</b> This item is displayed, but cannot be monitored
RKE-LOCK [On/Off]	Indicates [On/Off] condition of LOCK signal from Intelligent Key
RKE-UNLOCK [On/Off]	Indicates [On/Off] condition of UNLOCK signal from Intelligent Key

## ACTIVE TEST

Test item	Operation	Description
BATTERY SAVER	Off	Cuts the interior room lamp power supply.
	On	Outputs the interior room lamp power supply.

## TRUNK

### TRUNK : CONSULT Function (BCM - TRUNK)

INFOID:000000008907425

#### BCM CONSULT FUNCTION

CONSULT performs the following functions via CAN communication with BCM.

Diagnosis mode	Function Description
DATA MONITOR	The BCM input/output signals are displayed

#### DATA MONITOR

##### **NOTE:**

The following table includes information (items) inapplicable to this vehicle. For information (items) applicable to this vehicle, refer to CONSULT display items.

Monitor Item	Contents
PUSH SW	Indicates [On/Off] condition of push switch
UNLK SEN -DR	Indicates [On/Off] condition of unlock sensor
VEH SPEED 1	Indicates [Km/h] condition of vehicle speed signal from combination meter
TR/BD OPEN SW	<b>NOTE:</b> This item is displayed, but cannot be monitored
TRNK/HAT MNTR	<b>NOTE:</b> This item is displayed, but cannot be monitored
RKE-TR/BD	<b>NOTE:</b> This item is displayed, but cannot be monitored

## ACTIVE TEST

Test item	Description
TRUNK/GLASS HATCH	<b>NOTE:</b> This item is displayed, but cannot be monitored

## THEFT ALM

### THEFT ALM : CONSULT Function (BCM - THEFT)

INFOID:000000008907426

#### DATA MONITOR

# DIAGNOSIS SYSTEM (BCM)

[WITH INTELLIGENT KEY SYSTEM]

## < SYSTEM DESCRIPTION >

### NOTE:

The following table includes information (items) inapplicable to this vehicle. For information (items) applicable to this vehicle, refer to CONSULT display items.

Monitored Item	Description
REQ SW -DR	Indicates [ON/OFF] condition of door request switch (driver side).
REQ SW -AS	Indicates [ON/OFF] condition of door request switch (passenger side).
REQ SW -RR	<b>NOTE:</b> This is displayed even when it is not equipped.
REQ SW -RL	<b>NOTE:</b> This is displayed even when it is not equipped.
REQ SW -BD/TR	Indicates [ON/OFF] condition of back door request switch.
PUSH SW	Indicates [ON/OFF] condition of push-button ignition switch
UNLK SEN -DR	Indicates [ON/OFF] condition of driver door UNLOCK status.
DOOR SW-DR	Indicates [ON/OFF] condition of front door switch (driver side).
DOOR SW-AS	Indicates [ON/OFF] condition of front door switch (passenger side).
DOOR SW-RR	Indicates [ON/OFF] condition of rear door switch RH.
DOOR SW-RL	Indicates [ON/OFF] condition of rear door switch LH.
DOOR SW-BK	Indicates [ON/OFF] condition of back door switch.
CDL LOCK SW	Indicates [ON/OFF] condition of lock signal from door lock/unlock switch LH and RH.
CDL UNLOCK SW	Indicates [ON/OFF] condition of unlock signal from door lock/unlock switch LH and RH.
KEY CYL LK-SW	Indicates [ON/OFF] condition of lock signal from door key cylinder.
KEY CYL UN-SW	Indicates [ON/OFF] condition of unlock signal from door key cylinder.
TR/BD OPEN SW	<b>NOTE:</b> This is displayed even when it is not equipped.
TRNK/HAT MNTR	<b>NOTE:</b> This is displayed even when it is not equipped.
RKE-LOCK	Indicates [ON/OFF] condition of LOCK signal from Intelligent Key.
RKE-UNLOCK	Indicates [ON/OFF] condition of UNLOCK signal from Intelligent Key.
RKE-TR/BD	<b>NOTE:</b> This is displayed even when it is not equipped.

## WORK SUPPORT

Service Item	Description
SECURITY ALARM SET	This mode is able to confirm and change security alarm ON-OFF setting.
THEFT ALM TRG	The switch which triggered vehicle security alarm is recorded. This mode is able to confirm and erase the record of vehicle security alarm. The trigger data can be erased by touching "CLEAR" on CONSULT screen.

## ACTIVE TEST

Test Item	Description
THEFT IND	This test is able to check security indicator lamp operation. Security indicator lamp is turned on when "ON" on CONSULT screen is touched.
VEHICLE SECURITY HORN	This test is able to check horn operation. Horn is activated for 0.5 seconds after "ON" on CONSULT screen is touched.
HEADLAMP(HI)	This test is able to check headlamp operation. Headlamps are activated for 0.5 seconds after "ON" on CONSULT screen is touched.
FLASHER	This test is able to check hazard warning lamp operation. Hazard warning lamps are activated after "ON" on CONSULT screen is touched.

## RETAINED PWR

# DIAGNOSIS SYSTEM (BCM)

[WITH INTELLIGENT KEY SYSTEM]

< SYSTEM DESCRIPTION >

## RETAINED PWR : CONSULT Function (BCM - RETAINED PWR)

INFOID:000000008907428

### DATA MONITOR

#### NOTE:

The following table includes information (items) inapplicable to this vehicle. For information (items) applicable to this vehicle, refer to CONSULT display items.

Monitor Item	Description
DOOR SW-DR	Indicates [ON/OFF] condition of driver side door switch.
DOOR SW-AS	Indicates [ON/OFF] condition of passenger side door switch.

### SIGNAL BUFFER

## SIGNAL BUFFER : CONSULT Function (BCM - SIGNAL BUFFER)

INFOID:000000008454114

### DATA MONITOR

#### NOTE:

The following table includes information (items) inapplicable to this vehicle. For information (items) applicable to this vehicle, refer to CONSULT display items.

Monitor item [UNIT]	Description
PUSH SW [Off/On]	Displays the status of the push-button ignition switch (push switch) judged by BCM.

### ACTIVE TEST

Test item	Operation	Description
OIL PRESSURE SW	Off	OFF
	On	BCM transmits the oil pressure switch signal to the combination meter via CAN communication, which illuminates the oil pressure warning lamp in the combination meter.

### AIR PRESSURE MONITOR

## AIR PRESSURE MONITOR : CONSULT Function

INFOID:000000008907495

### FUNCTION

The diagnosis functions (main functions) include the following: "WORK SUPPORT", "SELF DIAGNOSTIC RESULT", "DATA MONITOR" and "ACTIVE TEST".

Diagnostic test mode	Function
Work support	In this mode, it is possible to make quick and accurate adjustments by following the instructions on the CONSULT display.
Self diagnostic result	Receives self-diagnosis results from the BCM, and indicates DTCs and the number of malfunctions.
Data monitor	Receives input/output signals from the BCM and indicates and stores them to facilitate locating the causes of malfunctions.
Active test	Transmits command to the BCM to change output signals and check operation of output system.

### WORK SUPPORT MODE

Refer to [WT-21, "Work Procedure"](#).

### SELF-DIAG RESULTS MODE

Refer to [BCS-76, "DTC Index"](#).

### DATA MONITOR MODE

Screen of data monitor mode is displayed.

A  
B  
C  
D  
E  
F  
G  
H  
I  
J  
K  
L

BCS

N  
O  
P

# DIAGNOSIS SYSTEM (BCM)

[WITH INTELLIGENT KEY SYSTEM]

## < SYSTEM DESCRIPTION >

### NOTE:

- When malfunction is detected, CONSULT perform REAL-TIME DIAGNOSIS.  
Also, any malfunction detected while in this mode will be displayed at real time.
- The following table includes information(items)inapplicable to this vehicle. For information(items)applicable to this vehicle, refer to CONSULT display items.

Monitor item (Unit)	Remark
AIR PRESS FL (kPa), (kg/cm <sup>2</sup> ), (Psi)	Air pressure of tires
AIR PRESS FR (kPa), (kg/cm <sup>2</sup> ), (Psi)	
AIR PRESS RR (kPa), (kg/cm <sup>2</sup> ), (Psi)	
AIR PRESS RL (kPa), (kg/cm <sup>2</sup> ), (Psi)	
ID REGST FL1	ID is registered: Done ID is not registered: Yet
ID REGST FR1	
ID REGST RR1	
ID REGST RL1	
WARNING LAMP	Low tire pressure warning lamp ON: On Low tire pressure warning lamp OFF: Off
BUZZER	Combination meter buzzer ON: On Combination meter buzzer OFF: Off

### NOTE:

Before performing the self-diagnosis, be sure to register the ID, or erase the actual malfunction location may be different from that displayed on CONSULT.

## ACTIVE TEST MODE

### NOTE:

Before performing the self-diagnosis, be sure to register the ID, or erase the actual malfunction may be different from that displayed on CONSULT.

## TEST ITEM LIST

Test item	Content
WARNING LAMP	This test is able to check to check that the low tire pressure warning lamp turns on.
ID REGIST WARNING	This test is able to check to check that the buzzer sounds or the low tire pressure warning lamp turns on.
RUN FLAT TIRE W/L	<b>NOTE:</b> This item is displayed, but cannot be use this item.
FLASHER	This test is able to check to check that each turn signal lamp turns on.
HORN	This test is able to check to check that the horn sounds.



# DTC/CIRCUIT DIAGNOSIS

## U1000 CAN COMM

### Description

INFOID:000000008454116

CAN (Controller Area Network) is a serial communication line for real time applications. It is an on-vehicle multiplex communication line with high data communication speed and excellent error detection ability. Modern vehicle is equipped with many electronic control unit, and each control unit shares information and links with other control units during operation (not independent). In CAN communication, control units are connected with 2 communication lines (CAN H-line, CAN L-line) allowing a high rate of information transmission with less wiring. Each control unit transmits/receives data but selectively reads required data only.  
 CAN Communication Signal Chart. Refer to [LAN-22, "CAN Communication Signal Chart"](#).

### DTC Logic

INFOID:000000008454117

### DTC DETECTION LOGIC

DTC	CONSULT display description	DTC Detection Condition	Possible cause
U1000	CAN COMM	When BCM cannot communicate CAN communication signal continuously for 2 seconds or more.	CAN communication system

### Diagnosis Procedure

INFOID:000000008454118

#### 1.PERFORM SELF DIAGNOSTIC

1. Turn ignition switch ON and wait for 2 seconds or more.
2. Check "Self Diagnostic Result" of BCM.

#### Is DTC "U1000" displayed?

- YES >> Refer to [LAN-13, "Trouble Diagnosis Flow Chart"](#).
- NO >> Refer to [GI-41, "Intermittent Incident"](#).

A  
B  
C  
D  
E  
F  
G  
H  
I  
J  
K  
L

BCS

# U1010 CONTROL UNIT (CAN)

< DTC/CIRCUIT DIAGNOSIS >

[WITH INTELLIGENT KEY SYSTEM]

## U1010 CONTROL UNIT (CAN)

### DTC Logic

INFOID:000000008454119

### DTC DETECTION LOGIC

DTC	CONSULT display de- scription	DTC Detection Condition	Possible cause
U1010	CONTROL UNIT (CAN)	BCM detected internal CAN communication circuit malfunction.	BCM

### Diagnosis Procedure

INFOID:000000008454120

#### 1. REPLACE BCM

When DTC "U1010" is detected, replace BCM.

>> Replace BCM. Refer to [BCS-82. "Removal and Installation"](#).

# U0415 VEHICLE SPEED

< DTC/CIRCUIT DIAGNOSIS >

[WITH INTELLIGENT KEY SYSTEM]

## U0415 VEHICLE SPEED

### Description

INFOID:000000008454121

U0415 is displayed if any unusual condition is present in the reception status of the vehicle speed signal from the ABS actuator and electric unit (control unit).

### DTC Logic

INFOID:000000008454122

### DTC DETECTION LOGIC

DTC	CONSULT display description	DTC Detection Condition	Probable cause
U0415	VEHICLE SPEED	When the vehicle speed signal received from the ABS actuator and electric unit (control unit) remains abnormal for 2 seconds or more.	<ul style="list-style-type: none"><li>• ABS actuator and electric unit (control unit)</li><li>• BCM</li></ul>

### DTC CONFIRMATION PROCEDURE

#### 1. DTC CONFIRMATION

1. Erase the DTC.
2. Turn ignition switch OFF.
3. Perform the "Self Diagnostic Result" of BCM with CONSULT, when passed 2 seconds or more after the ignition switch is turned ON.

#### Is any DTC detected?

- YES >> Refer to [BCS-43, "Diagnosis Procedure"](#).  
NO >> INSPECTION END

### Diagnosis Procedure

INFOID:000000008454123

#### 1. ABS ACTUATOR AND ELECTRIC UNIT (CONTROL UNIT) SELF-DIAG RESULTS

Perform "Self-Diagnostic Result" of ABS actuator and electric unit (control unit) with CONSULT. Refer to [BRC-23, "CONSULT Function"](#).

#### Is any DTC detected?

- YES >> Repair or replace the malfunctioning part.  
NO >> Replace BCM. Refer to [BCS-82, "Removal and Installation"](#).

A  
B  
C  
D  
E  
F  
G  
H  
I  
J  
K  
L

BCS

# B2562 LOW VOLTAGE

[WITH INTELLIGENT KEY SYSTEM]

< DTC/CIRCUIT DIAGNOSIS >

## B2562 LOW VOLTAGE

### DTC Logic

INFOID:000000008454124

### DTC DETECTION LOGIC

DTC	CONSULT display description	DTC Detection Condition	Possible cause
B2562	LOW VOLTAGE	When the power supply voltage to BCM remains less than 8.8 V for 120 seconds or more	Harness or connector (power supply circuit)

### DTC CONFIRMATION PROCEDURE

#### 1. DTC CONFIRMATION

1. Erase DTC.
2. Turn ignition switch OFF.
3. Perform the "Self Diagnostic Result" of BCM with CONSULT, when passed 120 seconds or more after the ignition switch is turned ON.

#### Is any DTC detected?

- YES >> Refer to [BCS-44, "Diagnosis Procedure"](#).  
NO >> INSPECTION END

### Diagnosis Procedure

INFOID:000000008454125

#### 1. CHECK POWER SUPPLY CIRCUIT

Check BCM power supply circuit. Refer to [BCS-45, "Diagnosis Procedure"](#).

#### Is the circuit normal?

- YES >> Replace BCM. Refer to [BCS-82, "Removal and Installation"](#).  
NO >> Repair the malfunctioning part.

# POWER SUPPLY AND GROUND CIRCUIT

< DTC/CIRCUIT DIAGNOSIS >

[WITH INTELLIGENT KEY SYSTEM]

## POWER SUPPLY AND GROUND CIRCUIT

### Diagnosis Procedure

INFOID:000000008454126

#### 1. CHECK FUSE AND FUSIBLE LINK

Check that the following fuse and fusible link are not blown.

Signal name	Fuse and fusible link No.
Battery power supply	G
	8

#### Is the fuse fusing?

- YES >> Replace the blown fuse or fusible link after repairing the affected circuit if a fuse or fusible link is blown.  
NO >> GO TO 2.

#### 2. CHECK POWER SUPPLY CIRCUIT

1. Turn ignition switch OFF.
2. Disconnect BCM connectors.
3. Check voltage between BCM harness connector and ground.

Terminals		Voltage (Approx.)
(+)	(-)	
BCM		Ground  Battery voltage
Connector	Terminal	
M70	70	
	57	

#### Is the measurement value normal?

- YES >> GO TO 3.  
NO >> Repair harness or connector.

#### 3. CHECK GROUND CIRCUIT

Check continuity between BCM harness connector and ground.

BCM		Ground	Continuity
Connector	Terminal		
M70	67		Existed

#### Does continuity exist?

- YES >> INSPECTION END  
NO >> Repair harness or connector.

A  
B  
C  
D  
E  
F  
G  
H  
I  
J  
K  
L  
N  
O  
P

BCS

# COMBINATION SWITCH OUTPUT CIRCUIT

< DTC/CIRCUIT DIAGNOSIS >

[WITH INTELLIGENT KEY SYSTEM]

## COMBINATION SWITCH OUTPUT CIRCUIT

### Diagnosis Procedure

INFOID:000000008454127

#### 1. CHECK OUTPUT 1 - 5 CIRCUIT FOR OPEN

1. Turn ignition switch OFF.
2. Disconnect BCM and combination switch connectors.
3. Check continuity between BCM harness connector and combination switch harness connector.

System	BCM		Combination switch		Continuity
	Connector	Terminal	Connector	Terminal	
OUTPUT 1	M68	36	M27	11	Existed
OUTPUT 2		35		9	
OUTPUT 3		34		7	
OUTPUT 4		33		10	
OUTPUT 5		32		13	

Does continuity exist?

YES >> GO TO 2.

NO >> Repair harnesses or connectors.

#### 2. CHECK OUTPUT 1 - 5 CIRCUIT FOR SHORT

Check for continuity between BCM harness connector and ground.

System	BCM		Ground	Continuity
	Connector	Terminal		
OUTPUT 1	M68	36	Ground	Not existed
OUTPUT 2		35		
OUTPUT 3		34		
OUTPUT 4		33		
OUTPUT 5		32		

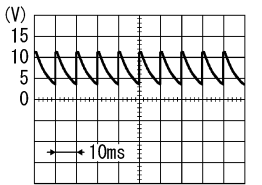
Does continuity exist?

YES >> Repair harnesses or connectors.

NO >> GO TO 3.

#### 3. CHECK BCM OUTPUT VOLTAGE

1. Connect BCM connector.
2. Check voltage between BCM harness connector and ground.

System	Terminals		Ground	Voltage (Approx.)	
	(+)				(-)
	BCM				
	Connector	Terminal			
OUTPUT 1	M68	36	Ground		
OUTPUT 2		35			
OUTPUT 3		34			
OUTPUT 4		33			
OUTPUT 5		32			

Is the measurement value normal?

# COMBINATION SWITCH OUTPUT CIRCUIT

[WITH INTELLIGENT KEY SYSTEM]

< DTC/CIRCUIT DIAGNOSIS >

- YES >> Replace combination switch.
- NO >> Replace BCM. Refer to [BCS-82, "Removal and Installation"](#).

A  
B  
C  
D  
E  
F  
G  
H  
I  
J  
K  
L  
N  
O  
P

**BCS**

# COMBINATION SWITCH INPUT CIRCUIT

< DTC/CIRCUIT DIAGNOSIS >

[WITH INTELLIGENT KEY SYSTEM]

## COMBINATION SWITCH INPUT CIRCUIT

### Diagnosis Procedure

INFOID:000000008454128

#### 1. CHECK INPUT 1 - 5 CIRCUIT FOR OPEN

1. Turn ignition switch OFF.
2. Disconnect BCM and combination switch connectors.
3. Check continuity between BCM harness connector and combination switch harness connector.

System	BCM		Combination switch		Continuity
	Connector	Terminal	Connector	Terminal	
INPUT 1	M68	6	M27	12	Existed
INPUT 2		5		14	
INPUT 3		4		5	
INPUT 4		3		2	
INPUT 5		2		8	

Does continuity exist?

YES >> GO TO 2.

NO >> Repair harnesses or connectors.

#### 2. CHECK INPUT 1 - 5 CIRCUIT FOR SHORT

Check for continuity between BCM harness connector and ground.

System	BCM		Ground	Continuity
	Connector	Terminal		
INPUT 1	M68	6	Ground	Not existed
INPUT 2		5		
INPUT 3		4		
INPUT 4		3		
INPUT 5		2		

Does continuity exist?

YES >> Repair harnesses or connectors.

NO >> GO TO 3.

#### 3. CHECK BCM INPUT SIGNAL

1. Connect BCM and combination switch connectors.
2. Turn ON any switch in the system that is malfunction.
3. Check voltage between BCM harness connector and ground.

System	Terminals		Voltage (Approx.)	
	(+)	(-)		
	BCM			
	Connector	Terminal		
INPUT 1	M68	6	Ground	Refer to <a href="#">BCS-50. "Reference Value"</a> .
INPUT 2		5		
INPUT 3		4		
INPUT 4		3		
INPUT 5		2		

Is the measurement value normal?

Yes >> Replace BCM. Refer to [BCS-82. "Removal and Installation"](#).



# COMBINATION SWITCH INPUT CIRCUIT

< DTC/CIRCUIT DIAGNOSIS >

[WITH INTELLIGENT KEY SYSTEM]

No >> Replace combination switch.

A

B

C

D

E

F

G

H

I

J

K

L

**BCS**

N

O

P

# BCM (BODY CONTROL MODULE)

< ECU DIAGNOSIS INFORMATION >

[WITH INTELLIGENT KEY SYSTEM]

## ECU DIAGNOSIS INFORMATION

### BCM (BODY CONTROL MODULE)

#### Reference Value

INFOID:000000008454129

#### VALUES ON THE DIAGNOSIS TOOL

##### NOTE:

The following table includes information (items) inapplicable to this vehicle. For information (items) applicable to this vehicle, refer to CONSULT display items.

##### CONSULT MONITOR ITEM

Monitor Item	Condition	Value/Status
FR WIPER HI	Other than front wiper switch HI	Off
	Front wiper switch HI	On
FR WIPER LOW	Other than front wiper switch LO	Off
	Front wiper switch LO	On
FR WASHER SW	Front washer switch OFF	Off
	Front washer switch ON	On
FR WIPER INT	Other than front wiper switch INT	Off
	Front wiper switch INT	On
FR WIPER STOP	Front wiper is not in STOP position	Off
	Front wiper is in STOP position	On
INT VOLUME	Wiper intermittent dial is in a dial position 1 - 7	Wiper intermittent dial position
RR WIPER ON	Other than rear wiper switch ON	Off
	Rear wiper switch ON	On
RR WIPER INT	Other than rear wiper switch INT	Off
	Rear wiper switch INT	On
RR WASHER SW	Rear washer switch OFF	Off
	Rear washer switch ON	On
RR WIPER STOP	Rear wiper is in STOP position	Off
	Rear wiper is not in STOP position	On
TURN SIGNAL R	Other than turn signal switch RH	Off
	Turn signal switch RH	On
TURN SIGNAL L	Other than turn signal switch LH	Off
	Turn signal switch LH	On
TAIL LAMP SW	Other than lighting switch 1ST and 2ND	Off
	Lighting switch 1ST or 2ND	On
HI BEAM SW	Other than lighting switch HI	Off
	Lighting switch HI	On
HEAD LAMP SW 1	Other than lighting switch 2ND	Off
	Lighting switch 2ND	On
HEAD LAMP SW 2	Other than lighting switch 2ND	Off
	Lighting switch 2ND	On
PASSING SW	Other than lighting switch PASS	Off
	Lighting switch PASS	On
AUTO LIGHT SW	Other than lighting switch AUTO	Off
	Lighting switch AUTO	On

# BCM (BODY CONTROL MODULE)

< ECU DIAGNOSIS INFORMATION >

[WITH INTELLIGENT KEY SYSTEM]

Monitor Item	Condition	Value/Status	
FR FOG SW	Front fog lamp switch OFF	Off	A
	Front fog lamp switch ON	On	
DOOR SW-DR	Driver door closed	Off	B
	Driver door opened	On	
DOOR SW-AS	Passenger door closed	Off	C
	Passenger door opened	On	
DOOR SW-RR	Rear RH door closed	Off	D
	Rear RH door opened	On	
DOOR SW-RL	Rear LH door closed	Off	E
	Rear LH door opened	On	
DOOR SW-BK	Back door closed	Off	E
	Back door opened	On	
CDL LOCK SW	Other than power door lock switch LOCK	Off	F
	Power door lock switch LOCK	On	
CDL UNLOCK SW	Other than power door lock switch UNLOCK	Off	G
	Power door lock switch UNLOCK	On	
KEY CYL LK-SW	Other than driver door key cylinder LOCK position	Off	H
	Driver door key cylinder LOCK position	On	
KEY CYL UN-SW	Other than driver door key cylinder UNLOCK position	Off	H
	Driver door key cylinder UNLOCK position	On	
HAZARD SW	Hazard switch is OFF	Off	I
	Hazard switch is ON	On	
REAR DEF SW	Rear window defogger switch OFF	Off	J
	Rear window defogger switch ON	On	
TR/BD OPEN SW	<b>NOTE:</b> The item is indicated, but not monitored.	Off	K
TRNK/HAT MNTR	<b>NOTE:</b> The item is indicated, but not monitored.	Off	K
FAN ON SIG	Blower fan OFF	Off	L
	Blower fan ON	On	
AIR COND SW	Air conditioner OFF (A/C switch indicator OFF)	Off	BCS
	Air conditioner ON (A/C switch indicator ON)	On	
RKE-LOCK	LOCK button of the key is not pressed	Off	N
	LOCK button of the key is pressed	On	
RKE-UNLOCK	UNLOCK button of the key is not pressed	Off	O
	UNLOCK button of the key is pressed	On	
RKE-TR/BD	BACK DOOR OPEN button of the key is not pressed	Off	O
	BACK DOOR OPEN button of the key is pressed	On	
RKE-PANIC	PANIC button of the key is not pressed	Off	P
	PANIC button of the key is pressed	On	
RKE-MODE CHG	LOCK/UNLOCK button of the key is not pressed and held simultaneously	Off	
	LOCK/UNLOCK button of the key is pressed and held simultaneously	On	
OPTI SEN (DTCT)	Bright outside of the vehicle	Close to 5 V	
	Dark outside of the vehicle	Close to 0 V	

# BCM (BODY CONTROL MODULE)

< ECU DIAGNOSIS INFORMATION >

[WITH INTELLIGENT KEY SYSTEM]

Monitor Item	Condition	Value/Status
OPTI SEN (FILT)	Bright outside of the vehicle (Lighting switch AUTO)	Close to 5 V
	Dark outside of the vehicle (Lighting switch AUTO)	Close to 1.50 V
OPTICAL SENSOR	<b>NOTE:</b> The item is indicated, but not monitored.	Off
RAIN SENSOR	<b>NOTE:</b> The item is indicated, but not monitored.	Off
REQ SW -DR	Driver door request switch is not pressed	Off
	Driver door request switch is pressed	On
REQ SW -AS	Passenger door request switch is not pressed	Off
	Passenger door request switch is pressed	On
REQ SW -RR	<b>NOTE:</b> The item is indicated, but not monitored.	Off
REQ SW -RL	<b>NOTE:</b> The item is indicated, but not monitored.	Off
REQ SW -BD/TR	Back door request switch is not pressed	Off
	Back door request switch is pressed	On
PUSH SW	Push-button ignition switch (push switch) is not pressed	Off
	Push-button ignition switch (push switch) is pressed	On
CLUCH SW	The clutch pedal is not depressed.	Off
	The clutch pedal is depressed	On
BRAKE SW 1	The brake pedal is not depressed	Off
	The brake pedal is depressed	On
BRAKE SW 2	The brake pedal is depressed when No. 9 fuse is blown	Off
	The brake pedal is not depressed when No. 9 fuse is blown, or No. 9 fuse is normal	On
DETE/CANCL SW	Selector lever in P position	Off
	Selector lever in any position other than P	On
SFT PN/N SW	Selector lever in any position other than P and N	Off
	Selector lever in P or N position	On
S/L -LOCK	<b>NOTE:</b> The item is indicated, but not monitored.	Off
S/L -UNLOCK	<b>NOTE:</b> The item is indicated, but not monitored.	Off
S/L RELAY-F/B	<b>NOTE:</b> The item is indicated, but not monitored.	Off
UNLK SEN -DR	Driver door is locked	Off
	Driver door is unlocked	On
PUSH SW -IPDM	Push-button ignition switch (push-switch) is not pressed	Off
	Push-button ignition switch (push-switch) is pressed	On
IGN RLY1 -F/B	Ignition switch in OFF or ACC position	Off
	Ignition switch in ON position	On
DETE SW -IPDM	Selector lever in any position other than P	Off
	Selector lever in P position	On
SFT PN -IPDM	Selector lever in any position other than P and N	Off
	Selector lever in P or N position	On
SFT P -MET	Selector lever in any position other than P	Off
	Selector lever in P position	On

# BCM (BODY CONTROL MODULE)

< ECU DIAGNOSIS INFORMATION >

[WITH INTELLIGENT KEY SYSTEM]

Monitor Item	Condition	Value/Status	
SFT N -MET	Selector lever in any position other than N	Off	A
	Selector lever in N position	On	
ENGINE STATE	Engine stopped	Stop	B
	While the engine stalls	Stall	
	At engine cranking	Crank	C
	Engine running	Run	
S/L LOCK-IPDM	<b>NOTE:</b> The item is indicated, but not monitored.	Off	D
S/L UNLK-IPDM	<b>NOTE:</b> The item is indicated, but not monitored.	Off	
S/L RELAY-REQ	<b>NOTE:</b> The item is indicated, but not monitored.	Off	E
VEH SPEED 1	While driving	Equivalent to speedometer reading	
VEH SPEED 2	While driving	Equivalent to speedometer reading	F
DOOR STAT-DR	Driver door is locked	LOCK	G
	Wait with selective UNLOCK operation (5 seconds)	READY	
	Driver door is unlocked	UNLOCK	
DOOR STAT-AS	Passenger door is locked	LOCK	H
	Wait with selective UNLOCK operation (5 seconds)	READY	
	Passenger door is unlocked	UNLOCK	
ID OK FLAG	Driver side door is open after ignition switch is turned OFF (Selector lever is in the P position except for M/T models)	Reset	I
	Ignition switch ON	Set	
PRMT ENG STRT	The engine start is prohibited	Reset	J
	The engine start is permitted	Set	
PRMT RKE STRT	<b>NOTE:</b> The item is indicated, but not monitored.	Reset	K
RKE OPE COUN1	During the operation of the key	Operation frequency of the key	L
RKE OPE COUN2	<b>NOTE:</b> The item is indicated, but not monitored.	—	
CONFIRM ID ALL	The key ID that the key slot receives is not recognized by any key ID registered to BCM.	Yet	BCS
	The key ID that the key slot receives is recognized by any key ID registered to BCM.	Done	
CONFIRM ID4	The key ID that the key slot receives is not recognized by the fourth key ID registered to BCM.	Yet	N
	The key ID that the key slot receives is recognized by the fourth key ID registered to BCM.	Done	O
CONFIRM ID3	The key ID that the key slot receives is not recognized by the third key ID registered to BCM.	Yet	P
	The key ID that the key slot receives is recognized by the third key ID registered to BCM.	Done	
CONFIRM ID2	The key ID that the key slot receives is not recognized by the second key ID registered to BCM.	Yet	
	The key ID that the key slot receives is recognized by the second key ID registered to BCM.	Done	

# BCM (BODY CONTROL MODULE)

< ECU DIAGNOSIS INFORMATION >

[WITH INTELLIGENT KEY SYSTEM]

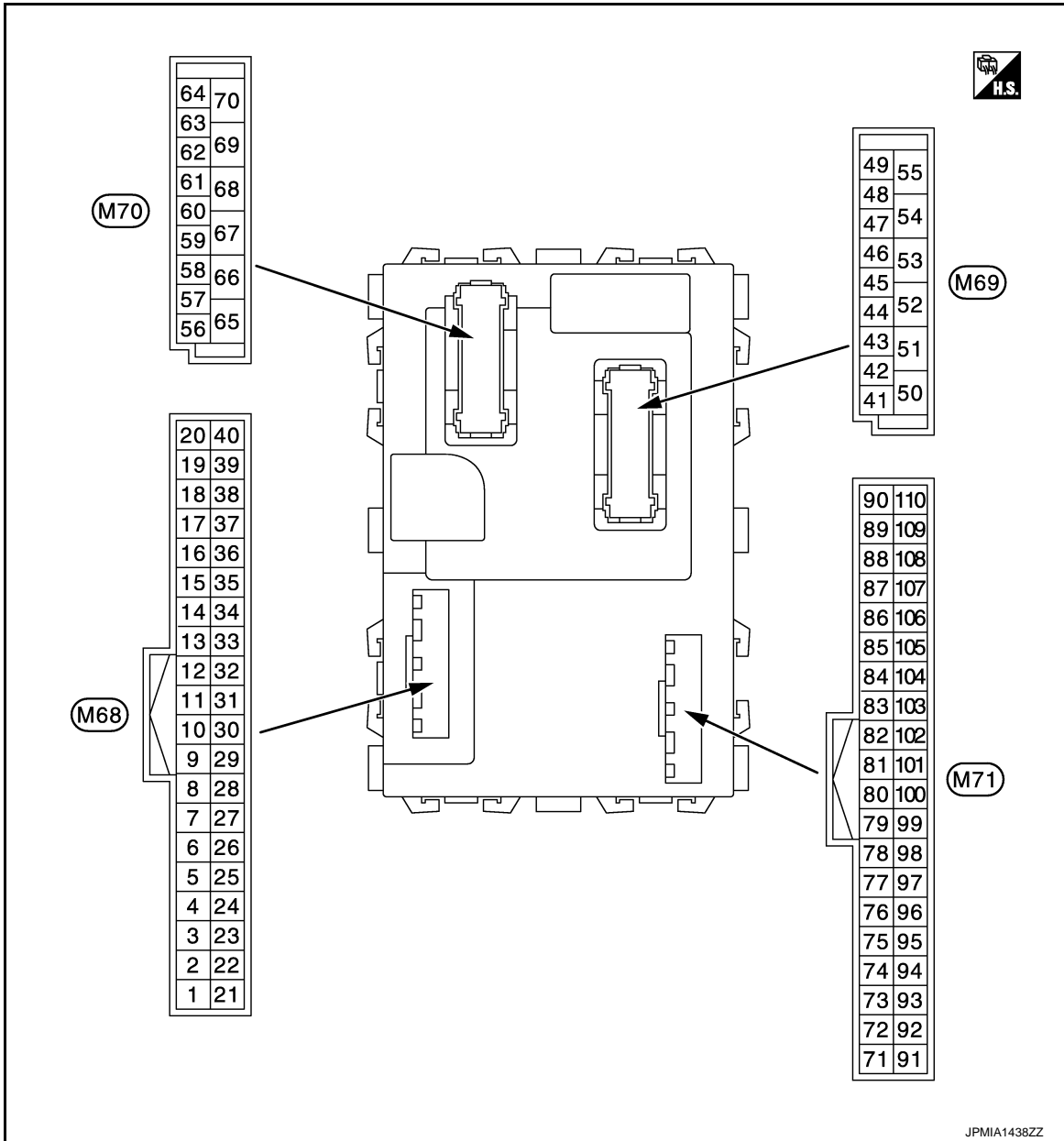
Monitor Item	Condition	Value/Status
CONFIRM ID1	The key ID that the key slot receives is not recognized by the first key ID registered to BCM.	Yet
	The key ID that the key slot receives is recognized by the first key ID registered to BCM.	Done
NOT REGISTERED	BCM detects registered key ID, or BCM does not detect key ID.	ID OK
	BCM detects non-registration key ID.	ID NG
TP 4	The ID of fourth key is not registered to BCM	Yet
	The ID of fourth key is registered to BCM	Done
TP 3	The ID of third key is not registered to BCM	Yet
	The ID of third key is registered to BCM	Done
TP 2	The ID of second key is not registered to BCM	Yet
	The ID of second key is registered to BCM	Done
TP 1	The ID of first key is not registered to BCM	Yet
	The ID of first key is registered to BCM	Done
AIR PRESS FL	Ignition switch ON (Only when the signal from the transmitter is received)	Air pressure of front LH tire
AIR PRESS FR	Ignition switch ON (Only when the signal from the transmitter is received)	Air pressure of front RH tire
AIR PRESS RR	Ignition switch ON (Only when the signal from the transmitter is received)	Air pressure of rear RH tire
AIR PRESS RL	Ignition switch ON (Only when the signal from the transmitter is received)	Air pressure of rear LH tire
ID REGST FL1	ID of front LH tire transmitter is registered	Done
	ID of front LH tire transmitter is not registered	Yet
ID REGST FR1	ID of front RH tire transmitter is registered	Done
	ID of front RH tire transmitter is not registered	Yet
ID REGST RR1	ID of rear RH tire transmitter is registered	Done
	ID of rear RH tire transmitter is not registered	Yet
ID REGST RL1	ID of rear LH tire transmitter is registered	Done
	ID of rear LH tire transmitter is not registered	Yet
WARNING LAMP	Tire pressure indicator OFF	Off
	Tire pressure indicator ON	On
BUZZER	Tire pressure warning alarm is not sounding	Off
	Tire pressure warning alarm is sounding	On

# BCM (BODY CONTROL MODULE)

< ECU DIAGNOSIS INFORMATION >

[WITH INTELLIGENT KEY SYSTEM]

## TERMINAL LAYOUT



**NOTE:**

- Connector color
- M68, M70: Black
- M69, M71: White

**PHYSICAL VALUES**

A  
B  
C  
D  
E  
F  
G  
H  
I  
J  
K  
L

**BCS**

N  
O  
P

# BCM (BODY CONTROL MODULE)

< ECU DIAGNOSIS INFORMATION >

[WITH INTELLIGENT KEY SYSTEM]

Terminal No. (Wire color)		Description		Condition	Value (Approx.)
		Signal name	Input/ Output		
+	-				
2 (BR/W)	Ground	Combination switch INPUT 5	Input	All switch OFF	0 V
				Turn signal switch RH	
				Lighting switch HI	
				Lighting switch 1ST	
				Lighting switch 2ND	
					2.0 V
3 (GR)	Ground	Combination switch INPUT 4	Input	All switch OFF	0 V
				Turn signal switch LH	
				Lighting switch PASS	
				Lighting switch 2ND	
				Front fog lamp switch ON	
					0.8 V
4 (L/Y)	Ground	Combination switch INPUT 3	Input	All switch OFF	0 V
				Front wiper switch LO	
				Front wiper switch MIST	
				Front wiper switch INT	
				Lighting switch AUTO	



# BCM (BODY CONTROL MODULE)

< ECU DIAGNOSIS INFORMATION >

[WITH INTELLIGENT KEY SYSTEM]

Terminal No. (Wire color)		Description		Condition	Value (Approx.)		
+	-	Signal name	Input/ Output				
5 (G)	Ground	Combination switch INPUT 2	Input	Combination switch	All switch OFF (Wiper intermittent dial 4)	0 V	
					Front washer switch (Wiper intermittent dial 4)		
					Rear washer ON (Wiper intermittent dial 4)		
					Any of the condition below with all switch OFF <ul style="list-style-type: none"> <li>• Wiper intermittent dial 1</li> <li>• Wiper intermittent dial 5</li> <li>• Wiper intermittent dial 6</li> </ul>		1.0 V
					Rear wiper switch ON (Wiper intermittent dial 4)		0.8 V
6 (L/R)	Ground	Combination switch INPUT 1	Input	Combination switch	All switch OFF (Wiper intermittent dial 4)	0 V	
					Front wiper switch HI (Wiper intermittent dial 4)		
					Rear wiper switch INT (Wiper intermittent dial 4)		
					Wiper intermittent dial 3 (All switch OFF)		1.0 V
					Any of the condition below with all switch OFF <ul style="list-style-type: none"> <li>• Wiper intermittent dial 1</li> <li>• Wiper intermittent dial 2</li> </ul>		1.9 V
					Any of the condition below with all switch OFF <ul style="list-style-type: none"> <li>• Wiper intermittent dial 6</li> <li>• Wiper intermittent dial 7</li> </ul>		0.8 V

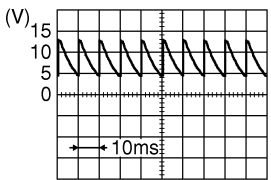
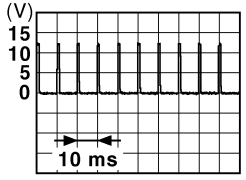
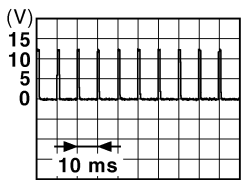
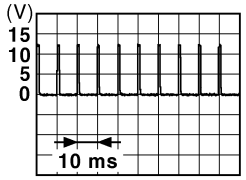
A  
B  
C  
D  
E  
F  
G  
H  
I  
J  
K  
L  
N  
O  
P

BCS

# BCM (BODY CONTROL MODULE)

< ECU DIAGNOSIS INFORMATION >

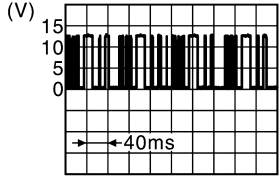
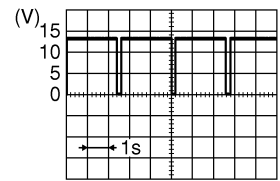
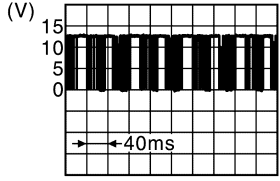
[WITH INTELLIGENT KEY SYSTEM]

Terminal No. (Wire color)		Description		Condition		Value (Approx.)
+	-	Signal name	Input/ Output			
7 (W/R)	Ground	Door key cylinder switch UNLOCK	Input	Door key cylin- der switch	NEUTRAL position	 <small>JPMIA0587GB</small> 8.0 - 8.5 V
					UNLOCK position	0 V
8 (W/B)	Ground	Door key cylinder switch LOCK	Input	Door key cylin- der switch	NEUTRAL position	12 V
					LOCK position	0 V
9 (R)	Ground	Stop lamp switch 1	Input	Stop lamp switch	OFF (Brake pedal is not depressed)	0 V
					ON (Brake pedal is de- pressed)	Battery voltage
12 (GR)	Ground	Door lock and unlock switch LOCK	Input	Door lock and unlock switch	NEUTRAL position	 <small>JPMIA0012GB</small> 1.0 - 1.5 V
					LOCK position	0 V
13 (BR)	Ground	Door lock and unlock switch UNLOCK	Input	Door lock and unlock switch	NEUTRAL position	 <small>JPMIA0012GB</small> 1.0 - 1.5 V
					UNLOCK position	0 V
14 (L/G)	Ground	Optical sensor	Input	Ignition switch ON	When bright outside of the vehicle	Close to 5 V
					When dark outside of the vehicle	Close to 0 V
15 (W/L)	Ground	Rear window defog- ger switch	Input	Rear window defogger switch	Not pressed	 <small>JPMIA0012GB</small> 1.0 - 1.5 V
					Pressed	0 V
17 (R/G)	Ground	Optical sensor pow- er supply	Output	Ignition switch	OFF, ACC	0 V
					ON	5 V

# BCM (BODY CONTROL MODULE)

< ECU DIAGNOSIS INFORMATION >

[WITH INTELLIGENT KEY SYSTEM]

Terminal No. (Wire color)		Description		Condition	Value (Approx.)	
		Signal name	Input/ Output			
+	-					
18 (V)	Ground	Sensor ground	Input	Ignition switch ON	0 V	
21 (P/L)	Ground	NATS antenna amp.	Input/ Output	Intelligent Key: Intelligent Key battery is re- moved	Brake pedal: Depressed <b>NOTE:</b> Waveform varies each time when brake pedal is depressed 	
					Brake pedal: Not de- pressed	12 V
23 (R/Y)	Ground	Security indicator lamp	Output	Security indica- tor	ON	0 V
					Blinking (Ignition switch OFF)	
					OFF	Battery voltage
24*1 (SB)	Ground	Dongle link	Input/ Output	Ignition switch OFF	5 V	
25 (LG)	Ground	NATS antenna amp.	Input/ Output	During waiting	Brake pedal: Depressed <b>NOTE:</b> Waveform varies each time when brake pedal is depressed 	
					Brake pedal: Not de- pressed	12 V
26*2 (GR)	Ground	Thermo control amp.	Input	Ignition switch ON	0 V	
				Evaporator is extremely low temperature	12 V	

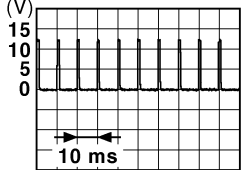
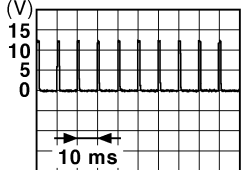
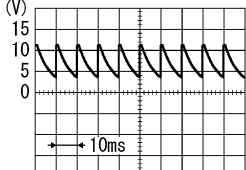
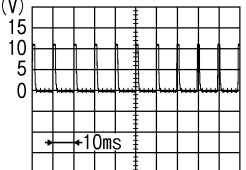
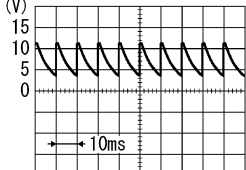
A  
B  
C  
D  
E  
F  
G  
H  
I  
J  
K  
L  
N  
O  
P

BCS

# BCM (BODY CONTROL MODULE)

< ECU DIAGNOSIS INFORMATION >

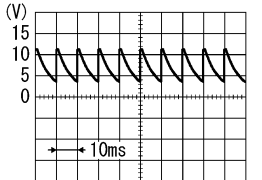
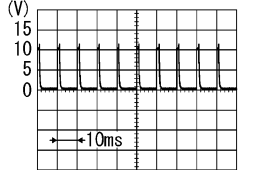
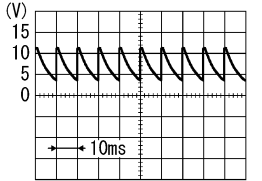
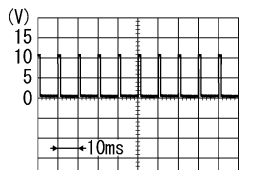
[WITH INTELLIGENT KEY SYSTEM]

Terminal No. (Wire color)		Description		Condition	Value (Approx.)	
		Signal name	Input/ Output			
+	-					
27 (O)	Ground	A/C ON (Automatic A/C)	Input	A/C	OFF (A/C switch indicator: OFF)	 <small>JPMIA0012GB</small> 1.0 - 1.5 V
				A/C	ON (A/C switch indicator: ON)	0 V
		A/C switch (Manual A/C)	A/C switch	OFF	OFF	 <small>JPMIA0012GB</small> 1.0 - 1.5 V
				ON	ON	0 V
28 (G/W)	Ground	Blower fan switch (Automatic A/C)	Input	Fan switch	Blower fan switch OFF	0 V
				Fan switch	Blower fan switch ON	 <small>PKIB4960J</small> 7.0 - 8.0 V
		Blower fan switch (Manual A/C)	Fan switch	Blower fan switch OFF	Blower fan switch OFF	 <small>PIIB7730J</small> 1.5 - 2.0 V
				Blower fan switch ON	Blower fan switch ON	0 V
29 (L/W)	Ground	Hazard switch	Input	Hazard switch	OFF	12 V
				Hazard switch	ON	0 V
31 (G/B)	Ground	Front door lock assembly driver side (Unlock sensor)	Input	Driver door	LOCK status (Unlock sensor switch OFF)	 <small>PKIB4960J</small> 7.0 - 8.0 V
				Driver door	UNLOCK status (Unlock sensor switch ON)	0 V

# BCM (BODY CONTROL MODULE)

< ECU DIAGNOSIS INFORMATION >

[WITH INTELLIGENT KEY SYSTEM]

Terminal No. (Wire color)		Description		Condition	Value (Approx.)	
+	-	Signal name	Input/ Output			
32 (LG)	Ground	Combination switch OUTPUT 5	Output	Combination switch	All switch OFF (Wiper intermittent dial 4)	 <p style="text-align: right; font-size: small;">PKIB4960J</p> <p style="text-align: center;">7.0 - 8.0 V</p>
					Front fog lamp switch ON (Wiper intermittent dial 4)	 <p style="text-align: right; font-size: small;">PKIB4966J</p> <p style="text-align: center;">1.0 V</p>
					Rear wiper switch ON (Wiper intermittent dial 4)	
					Any of the condition below with all switch OFF <ul style="list-style-type: none"> <li>• Wiper intermittent dial 1</li> <li>• Wiper intermittent dial 2</li> <li>• Wiper intermittent dial 6</li> <li>• Wiper intermittent dial 7</li> </ul>	
33 (Y/L)	Ground	Combination switch OUTPUT 4	Output	Combination switch	All switch OFF (Wiper intermittent dial 4)	 <p style="text-align: right; font-size: small;">PKIB4960J</p> <p style="text-align: center;">7.0 - 8.0 V</p>
					Lighting switch 1ST (Wiper intermittent dial 4)	 <p style="text-align: right; font-size: small;">PKIB4958J</p> <p style="text-align: center;">1.2 V</p>
					Lighting switch AUTO (Wiper intermittent dial 4)	
					Rear wiper switch INT (Wiper intermittent dial 4)	
Any of the condition below with all switch OFF <ul style="list-style-type: none"> <li>• Wiper intermittent dial 1</li> <li>• Wiper intermittent dial 5</li> <li>• Wiper intermittent dial 6</li> </ul>						

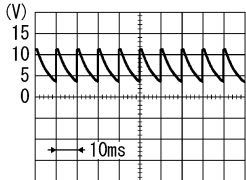
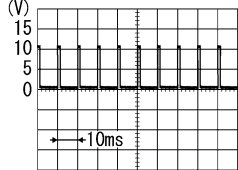
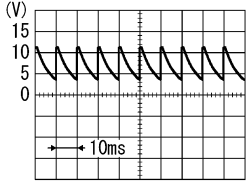
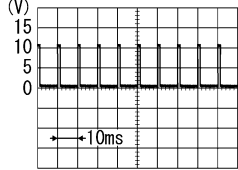
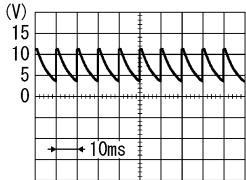
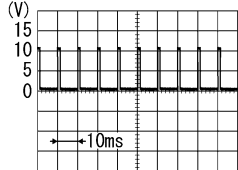
A  
B  
C  
D  
E  
F  
G  
H  
I  
J  
K  
L  
N  
O  
P

BCS

# BCM (BODY CONTROL MODULE)

< ECU DIAGNOSIS INFORMATION >

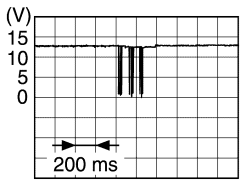
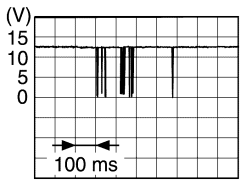
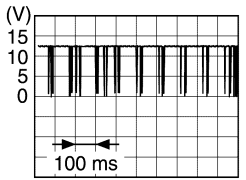
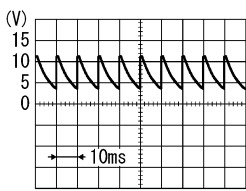
[WITH INTELLIGENT KEY SYSTEM]

Terminal No. (Wire color)		Description		Condition	Value (Approx.)	
+	-	Signal name	Input/ Output			
34 (W)	Ground	Combination switch OUTPUT 3	Output	Combination switch	All switch OFF (Wiper intermittent dial 4)	 <p style="text-align: right; font-size: small;">PKIB4960J</p> <p style="text-align: center;">7.0 - 8.0 V</p>
					Lighting switch 2ND (Wiper intermittent dial 4)	 <p style="text-align: right; font-size: small;">PKIB4958J</p> <p style="text-align: center;">1.2 V</p>
					Lighting switch HI (Wiper intermittent dial 4)	
					Rear washer switch ON (Wiper intermittent dial 4)	
Any of the condition below with all switch OFF						
<ul style="list-style-type: none"> <li>• Wiper intermittent dial 1</li> <li>• Wiper intermittent dial 2</li> <li>• Wiper intermittent dial 3</li> </ul>						
35 (R/L)	Ground	Combination switch OUTPUT 2	Output	Combination switch (Wiper intermit- tent dial 4)	All switch OFF	 <p style="text-align: right; font-size: small;">PKIB4960J</p> <p style="text-align: center;">7.0 - 8.0 V</p>
					Lighting switch 2ND	 <p style="text-align: right; font-size: small;">PKIB4958J</p> <p style="text-align: center;">1.2 V</p>
					Lighting switch PASS	
					Front wiper switch INT	
Front wiper switch HI						
36 (L/O)	Ground	Combination switch OUTPUT 1	Output	Combination switch (Wiper intermit- tent dial 4)	All switch OFF	 <p style="text-align: right; font-size: small;">PKIB4960J</p> <p style="text-align: center;">7.0 - 8.0 V</p>
					Turn signal switch RH	 <p style="text-align: right; font-size: small;">PKIB4958J</p> <p style="text-align: center;">1.2 V</p>
					Turn signal switch LH	
					Front wiper switch LO (Front wiper switch MIST)	
Front washer switch ON						

# BCM (BODY CONTROL MODULE)

< ECU DIAGNOSIS INFORMATION >

[WITH INTELLIGENT KEY SYSTEM]

Terminal No. (Wire color)		Description		Condition		Value (Approx.)
+	-	Signal name	Input/ Output			
37 (G/O)	Ground	Selector lever P position switch	Input	Selector lever	P position	0 V
					Any position other than P	12 V
38 (G/Y)	Ground	Receiver communication	Input/ Output	Ignition switch OFF (Remote keyless entry communication)	Waiting	12 V
					When operating either button on Intelligent Key	 <p style="text-align: right; font-size: small;">JMMIA0572GB</p>
				Ignition switch ON (TPMS communication)	Waiting	 <p style="text-align: right; font-size: small;">JMMIA0573GB</p>
					When receiving signal from tire pressure sensor	 <p style="text-align: right; font-size: small;">JMMIA0574GB</p>
39 (L)	Ground	CAN-H	Input/ Output	—	—	
40 (P)	Ground	CAN-L	Input/ Output	—	—	
43 (W)	Ground	Back door switch	Input	Back door switch	OFF (When back door closed)	 <p style="text-align: right; font-size: small;">PKIB4960J</p> <p style="text-align: center;">9.5 - 10.0 V</p>
					ON (When back door opened)	0 V
44 (LG)	Ground	Rear wiper stop position	Input	Ignition switch ON	Rear wiper stop position	12 V
					Any position other than rear wiper stop position	0 V

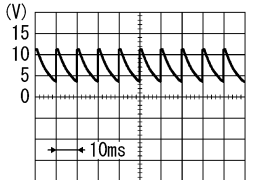
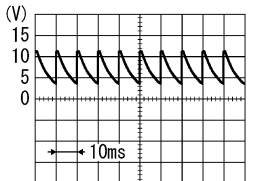
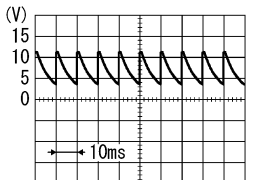
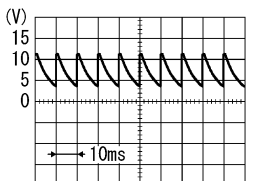
A  
B  
C  
D  
E  
F  
G  
H  
I  
J  
K  
L  
N  
O  
P

BCS

# BCM (BODY CONTROL MODULE)

< ECU DIAGNOSIS INFORMATION >

[WITH INTELLIGENT KEY SYSTEM]

Terminal No. (Wire color)		Description		Condition	Value (Approx.)	
+	-	Signal name	Input/ Output			
45 (SB)	Ground	Passenger door switch	Input	Passenger door switch	OFF (When passenger door closed)	 <small>PKIB4960J</small> 7.0 - 8.0 V
				Passenger door switch	ON (When passenger door opened)	0 V
46 (GR/L)	Ground	Rear RH door switch	Input	Rear RH door switch	OFF (When rear RH door closed)	 <small>PKIB4960J</small> 7.0 - 8.0 V
				Rear RH door switch	ON (When rear RH door opened)	0 V
47 (BR/Y)	Ground	Driver door switch	Input	Driver door switch	OFF (When driver door closed)	 <small>PKIB4960J</small> 7.0 - 8.0 V
				Driver door switch	ON (When driver door opened)	0 V
48 (W/G)	Ground	Rear LH door switch	Input	Rear LH door switch	OFF (When rear LH door closed)	 <small>PKIB4960J</small> 7.0 - 8.0 V
				Rear LH door switch	ON (When rear door LH opened)	0 V
50 (R/W)	Ground	Back door lock actuator relay control	Output	Back door	LOCK (Actuator is activated)	0 V
				Back door	Other than LOCK (Actuator is not activated)	Battery voltage
51 (W)	Ground	Back door request switch	Input	Back door request switch	ON (Pressed)	0 V
				Back door request switch	OFF (Not pressed)	12 V
54 (LG)	Ground	Rear wiper	Output	Rear wiper	OFF (Stopped)	0 V
				Rear wiper	ON (Activated)	12 V



# BCM (BODY CONTROL MODULE)

< ECU DIAGNOSIS INFORMATION >

[WITH INTELLIGENT KEY SYSTEM]

Terminal No. (Wire color)		Description		Condition		Value (Approx.)
		Signal name	Input/ Output			
+	-					
55 (G)	Ground	Rear door UNLOCK	Output	Rear door	UNLOCK (Actuator is activated)	12 V
					Other then UNLOCK (Actuator is not activated)	0 V
56 (L)	Ground	Interior room lamp power supply	Output		Interior room lamp battery saver is activated. (Cuts the interior room lamp power supply)	0 V
					Interior room lamp battery saver is not activated. (Outputs the interior room lamp power supply)	12 V
57 (Y)	Ground	Battery power supply	Input	Ignition switch OFF		Battery voltage
59 (G)	Ground	Passenger door UNLOCK	Output	Passenger door	UNLOCK (Actuator is activated)	12 V
					Other then UNLOCK (Actuator is not activated)	0 V
60 (W/B)	Ground	Turn signal LH	Output	Ignition switch ON	Turn signal switch OFF	0 V
					Turn signal switch LH	
61 (W/L)	Ground	Turn signal RH	Output	Ignition switch ON	Turn signal switch OFF	0 V
					Turn signal switch RH	
63 (BR)	Ground	Interior room lamp control signal	Output	Interior room lamp	OFF	12 V
					ON	0 V
65 (V)	Ground	All doors LOCK	Output	All doors	LOCK (Actuator is activated)	12 V
					Other then LOCK (Actuator is not activated)	0 V
66 (L/B)	Ground	Driver door UNLOCK	Output	Driver door	UNLOCK (Actuator is activated)	12 V
					Other then UNLOCK (Actuator is not activated)	0 V
67 (B)	Ground	Ground	Output	Ignition switch ON		0 V
68 (L)	Ground	P/W power supply (IGN)	Output	Ignition switch ON		12 V
69 (P)	Ground	P/W power supply (BAT)	Output	Ignition switch OFF		12 V

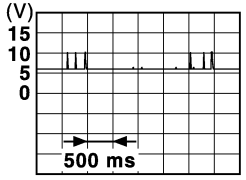
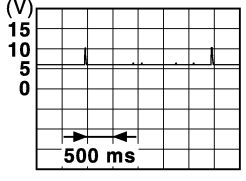
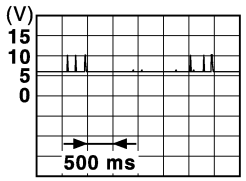
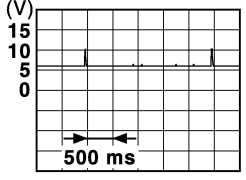
A  
B  
C  
D  
E  
F  
G  
H  
I  
J  
K  
L

BCS

# BCM (BODY CONTROL MODULE)

< ECU DIAGNOSIS INFORMATION >

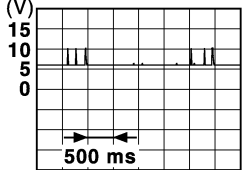
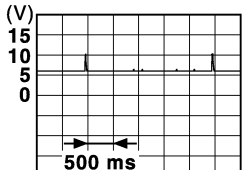
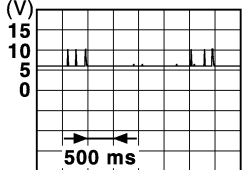
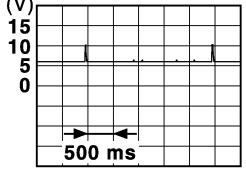
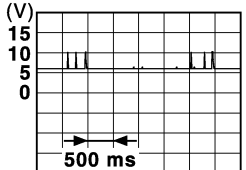
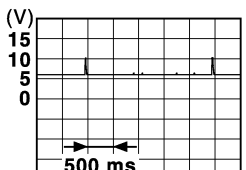
[WITH INTELLIGENT KEY SYSTEM]

Terminal No. (Wire color)		Description		Condition	Value (Approx.)	
		Signal name	Input/ Output			
+	-					
70 (Y)	Ground	Battery power supply	Input	Ignition switch OFF	Battery voltage	
72*2 (SB)	Ground	A/C indicator	Output	A/C indicator	OFF	12 V
					ON	0 V
75 (SB)	Ground	Driver door request switch	Input	Driver door request switch	ON (Pressed)	0 V
					OFF (Not pressed)	12 V
76 (L/O)	Ground	Push-button ignition switch (push switch)	Input	Push-button ignition switch (push switch)	Pressed	0 V
					Not pressed	12 V
78 (LG)	Ground	Driver door antenna (+)	Output	When the driver door request switch is operated with ignition switch ON	When Intelligent Key is not in the antenna detection area (The distance between Intelligent Key and antenna: Approx. 2 m)	 <p style="text-align: right; font-size: small;">JMKIA5954GB</p>
					When Intelligent Key is in the antenna detection area (The distance between Intelligent Key and antenna: 80 cm or less)	 <p style="text-align: right; font-size: small;">JMKIA5955GB</p>
79 (V)	Ground	Driver door antenna (-)	Output	When the driver door request switch is operated with ignition switch ON	When Intelligent Key is not in the antenna detection area (The distance between Intelligent Key and antenna: Approx. 2 m)	 <p style="text-align: right; font-size: small;">JMKIA5954GB</p>
					When Intelligent Key is in the antenna detection area (The distance between Intelligent Key and antenna: 80 cm or less)	 <p style="text-align: right; font-size: small;">JMKIA5955GB</p>

# BCM (BODY CONTROL MODULE)

< ECU DIAGNOSIS INFORMATION >

[WITH INTELLIGENT KEY SYSTEM]

Terminal No. (Wire color)		Description		Condition	Value (Approx.)
		Signal name	Input/ Output		
+	-				
80 (BR/Y)	Ground	Passenger door antenna (+)	Output	When the passenger door request switch is operated with ignition switch ON	When Intelligent Key is not in the antenna detection area (The distance between Intelligent Key and antenna: Approx. 2 m)  <p style="text-align: right; font-size: small;">JMKIA5954GB</p>
				When Intelligent Key is in the antenna detection area (The distance between Intelligent Key and antenna: 80 cm or less)	 <p style="text-align: right; font-size: small;">JMKIA5955GB</p>
81 (L/Y)	Ground	Passenger door antenna (-)	Output	When the passenger door request switch is operated with ignition switch ON	When Intelligent Key is not in the antenna detection area (The distance between Intelligent Key and antenna: Approx. 2 m)  <p style="text-align: right; font-size: small;">JMKIA5954GB</p>
				When Intelligent Key is in the antenna detection area (The distance between Intelligent Key and antenna: 80 cm or less)	 <p style="text-align: right; font-size: small;">JMKIA5955GB</p>
82 (W/B)	Ground	Back door antenna (+)	Output	When the back door request switch is operated with ignition switch ON	When Intelligent Key is not in the antenna detection area (The distance between Intelligent Key and antenna: Approx. 2 m)  <p style="text-align: right; font-size: small;">JMKIA5954GB</p>
				When Intelligent Key is in the antenna detection area (The distance between Intelligent Key and antenna: 80 cm or less)	 <p style="text-align: right; font-size: small;">JMKIA5955GB</p>

A  
B  
C  
D  
E  
F  
G  
H  
I  
J  
K  
L

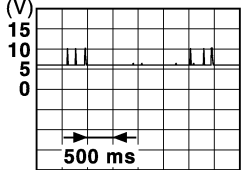
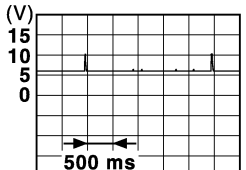
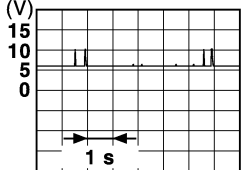
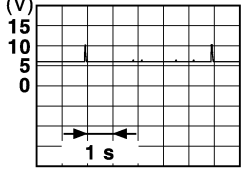
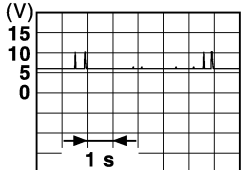
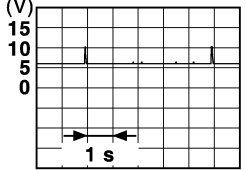
BCS

N  
O  
P

# BCM (BODY CONTROL MODULE)

< ECU DIAGNOSIS INFORMATION >

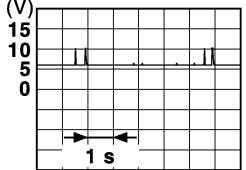
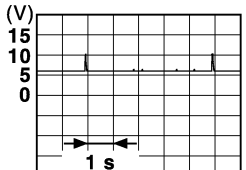
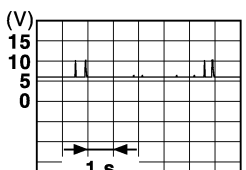
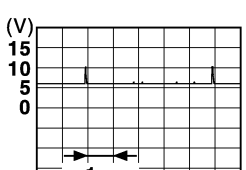
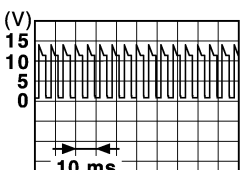
[WITH INTELLIGENT KEY SYSTEM]

Terminal No. (Wire color)		Description		Condition	Value (Approx.)
+	-	Signal name	Input/ Output		
83 (B/W)	Ground	Back door antenna (-)	Output	When the back door request switch is operated with ignition switch ON	When Intelligent Key is not in the antenna detection area (The distance between Intelligent Key and antenna: Approx. 2 m)  <small>JMKIA5954GB</small>
				When Intelligent Key is in the antenna detection area (The distance between Intelligent Key and antenna: 80 cm or less)	 <small>JMKIA5955GB</small>
84 (Y/G)	Ground	Room antenna (+) (Instrument center)	Output	Ignition switch ON	When Intelligent Key is not in the antenna detection area  <small>JMKIA5951GB</small>
				When Intelligent Key is in the antenna detection area	 <small>JMKIA3839GB</small>
85 (Y/L)	Ground	Room antenna (-) (Instrument center)	Output	Ignition switch ON	When Intelligent Key is not in the antenna detection area  <small>JMKIA5951GB</small>
				When Intelligent Key is in the antenna detection area	 <small>JMKIA3839GB</small>

# BCM (BODY CONTROL MODULE)

< ECU DIAGNOSIS INFORMATION >

[WITH INTELLIGENT KEY SYSTEM]

Terminal No. (Wire color)		Description		Condition	Value (Approx.)
+	-	Signal name	Input/ Output		
86 (P)	Ground	Luggage room antenna (+)	Output	Ignition switch ON	When Intelligent Key is not in the antenna detection area 
				Ignition switch ON	When Intelligent Key is in the antenna detection area 
87 (L)	Ground	Luggage room antenna (-)	Output	Ignition switch ON	When Intelligent Key is not in the antenna detection area 
				Ignition switch ON	When Intelligent Key is in the antenna detection area 
90 (W/L)	Ground	Push-button ignition switch illumination	Output	Push-button ignition switch illumination	ON 12 V OFF 0 V
91 (Y)	Ground	ACC/ON indicator lamp	Output	Ignition switch	OFF Battery voltage ACC or ON 0.5 V
				Ignition switch	OFF 0 V
92 (BR/R)	Ground	Push-button ignition switch illumination ground	Output	Tail lamp	OFF 0 V
				Tail lamp	ON <b>NOTE:</b> When the illumination brightening/dimming level is in the neutral position  6.0 - 7.0 V

A  
B  
C  
D  
E  
F  
G  
H  
I  
J  
K  
L

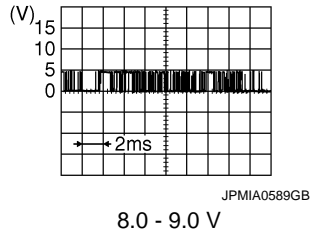
BCS

N  
O  
P

# BCM (BODY CONTROL MODULE)

< ECU DIAGNOSIS INFORMATION >

[WITH INTELLIGENT KEY SYSTEM]

Terminal No. (Wire color)		Description		Condition		Value (Approx.)
+	-	Signal name	Input/ Output			
93 (GR/W)	Ground	Intelligent Key warn- ing buzzer	Output	Intelligent Key warning buzzer	Sounding	0 V
					Not sounding	12 V
96 (BR/W)	Ground	ACC relay control	Output	Ignition switch	OFF	0 V
					ACC or ON	12 V
97 (L/R)	Ground	Starter relay control	Output	Ignition switch ON	When selector lever is in P or N position	Battery voltage
					When selector lever is not in P or N position	0 V
98 (BR)	Ground	Ignition relay (IPDM E/R) control	Output	Ignition switch	OFF or ACC	12 V
					ON	0 V
99 (W/R)	Ground	Ignition relay control	Output	Ignition switch	OFF or ACC	0 V
					ON	12 V
100 (G)	Ground	Passenger door re- quest switch	Input	Passenger door request switch	ON (Pressed)	0 V
					OFF (Not pressed)	12 V
102 (G)	Ground	Selector lever P/N position	Input	Selector lever	P or N position	Battery voltage
					Except P and N positions	0 V
103*2 (G/Y)	Ground	Front defroster switch	Input	Ignition switch ON	A/C mode defroster ON position	0 V
					Other than A/C mode de- froster ON position	
104 (Y/R)	Ground	CVT shift selector (detention switch) power supply	Output	Ignition switch ON		12 V
105 (B/O)	Ground	Stop lamp switch 2	Input	Ignition switch OFF		Battery voltage
106 (Y/B)	Ground	Blower fan motor re- lay control	Output	Ignition switch	OFF or ACC	0 V
					ON	12 V

\*1: For Canada

\*2: Manual air conditioner

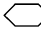
# BCM (BODY CONTROL MODULE)

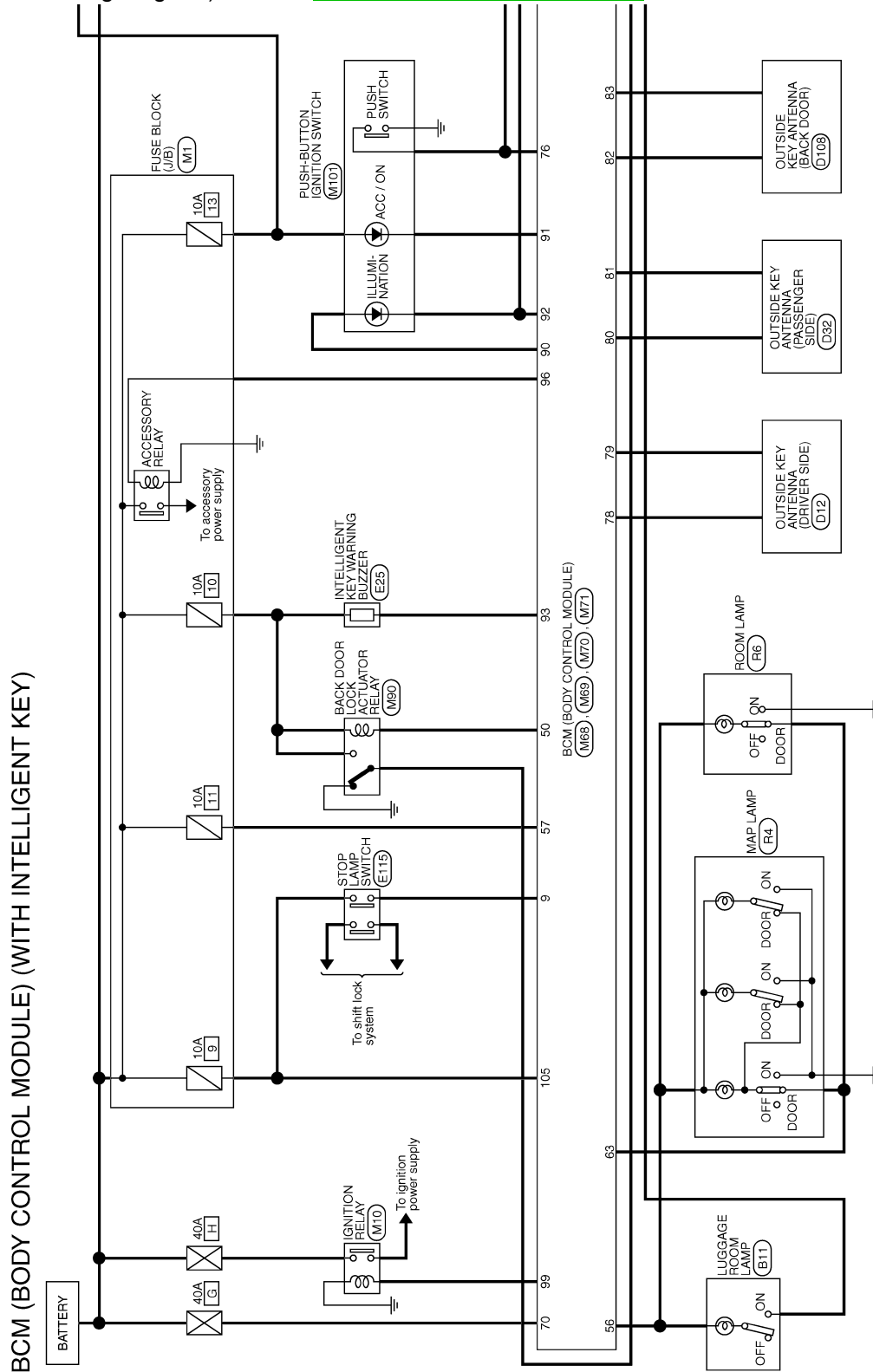
[WITH INTELLIGENT KEY SYSTEM]

< ECU DIAGNOSIS INFORMATION >

## Wiring Diagram - BCM -

INFOID:000000008454130

For connector terminal arrangements, harness layouts, and alphabets in a  (option abbreviation; if not described in wiring diagram), refer to [GI-12, "Connector Information"](#).



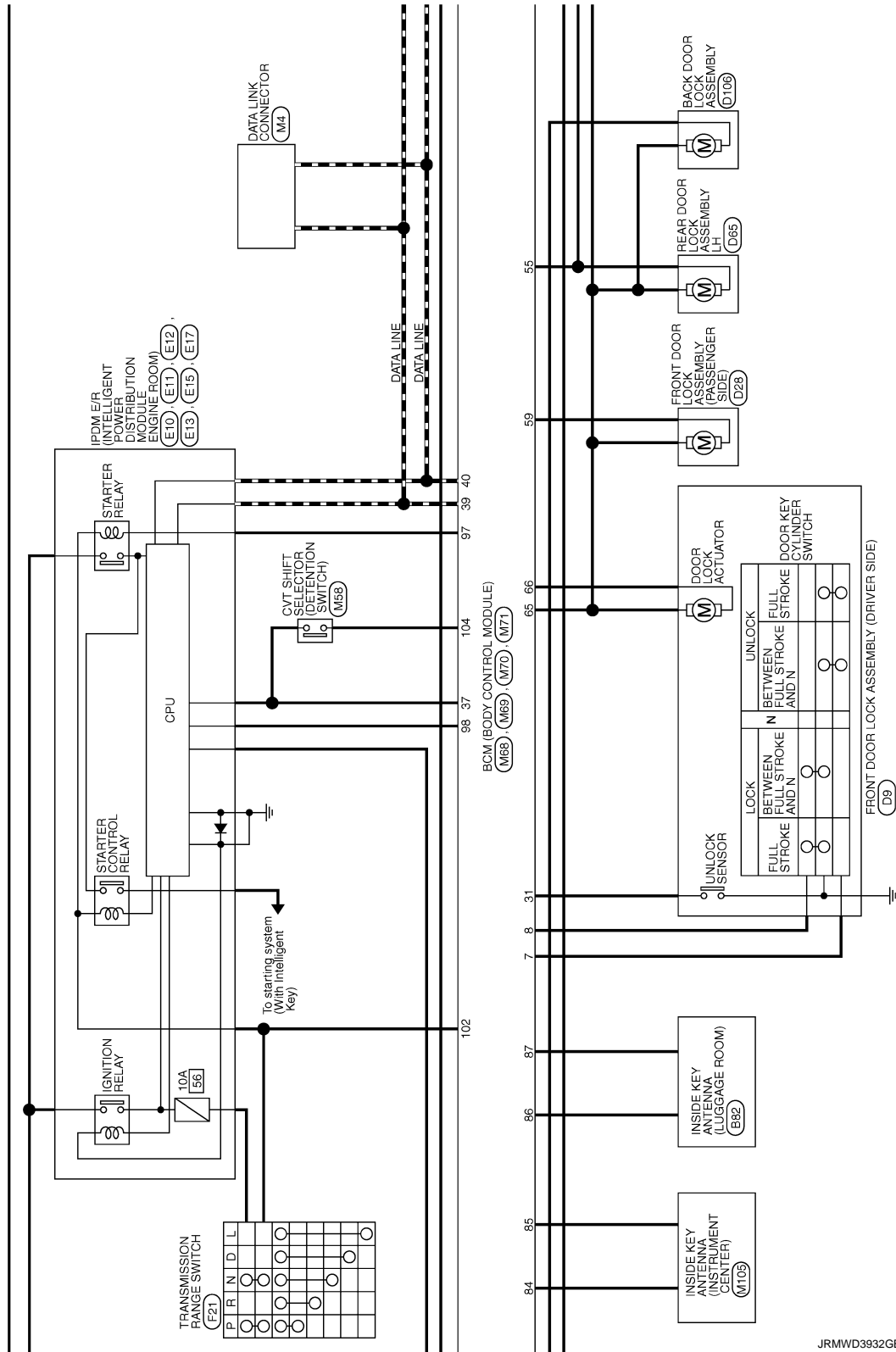
A  
B  
C  
D  
E  
F  
G  
H  
I  
J  
K  
L  
M  
N  
O  
P

BCS

# BCM (BODY CONTROL MODULE)

< ECU DIAGNOSIS INFORMATION >

[WITH INTELLIGENT KEY SYSTEM]



JRMWD3932GB



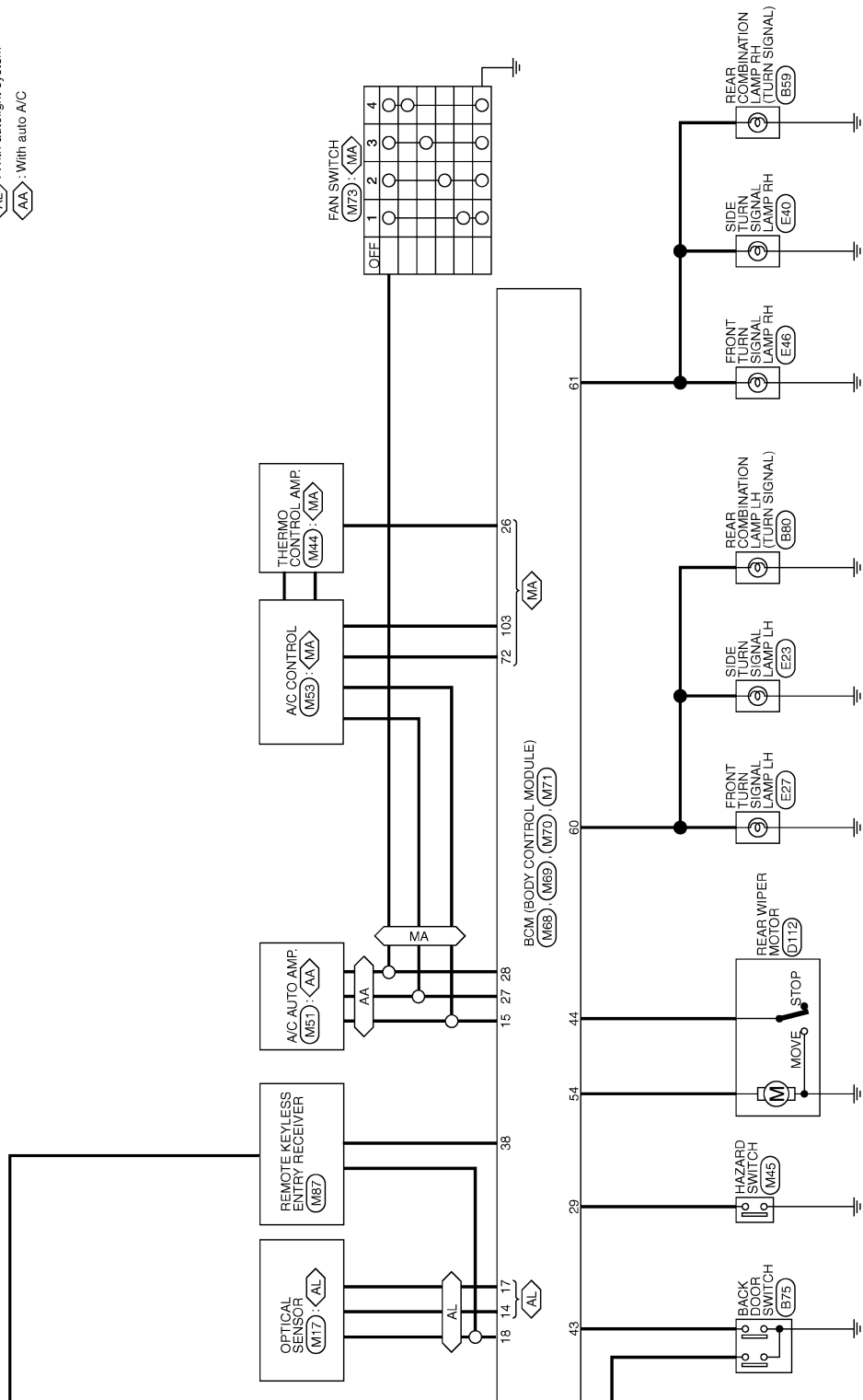


# BCM (BODY CONTROL MODULE)

< ECU DIAGNOSIS INFORMATION >

[WITH INTELLIGENT KEY SYSTEM]

- ◁CN▷ : For Canada
- ◁MA▷ : With manual A/C
- ◁AL▷ : With autolight system
- ◁AA▷ : With auto A/C



JRMWD3934GB

INFOID:000000008454131

## Fail-safe

### FAIL-SAFE CONTROL BY DTC

BCM performs fail-safe control when any DTC are detected.

# BCM (BODY CONTROL MODULE)

< ECU DIAGNOSIS INFORMATION >

[WITH INTELLIGENT KEY SYSTEM]

Display contents of CONSULT	Fail-safe	Cancellation
B2192: ID DISCORD BCM-ECM	Inhibit engine cranking	Erase DTC
B2193: CHAIN OF BCM-ECM	Inhibit engine cranking	Erase DTC
B2195: ANTI-SCANNING	Inhibit engine cranking	Ignition switch ON → OFF
B2196: DONGLE NG	Inhibit engine cranking	Erase DTC
B2198: NATS ANTENNA AMP	Inhibit engine cranking	Erase DTC
B2608: STARTER RELAY	Inhibit engine cranking	500 ms after the following signal communication status becomes consistent <ul style="list-style-type: none"> <li>• Starter relay control signal</li> <li>• Starter relay status signal (CAN)</li> </ul>
B260F: ENG STATE SIG LOST	Inhibit engine cranking	When any of the following conditions are fulfilled <ul style="list-style-type: none"> <li>• Power position changes to ACC</li> <li>• Receives engine status signal (CAN)</li> </ul>
B26F1: IGN RELAY OFF	Inhibit engine cranking	When the following conditions are fulfilled <ul style="list-style-type: none"> <li>• Ignition switch ON signal (CAN: Transmitted from BCM): ON</li> <li>• Ignition switch ON signal (CAN: Transmitted from IPDM E/R): ON</li> </ul>
B26F2: IGN RELAY ON	Inhibit engine cranking	When the following conditions are fulfilled <ul style="list-style-type: none"> <li>• Ignition switch ON signal (CAN: Transmitted from BCM): OFF</li> <li>• Ignition switch ON signal (CAN: Transmitted from IPDM E/R): OFF</li> </ul>
B26F3: START CONT RLY ON	Inhibit engine cranking	When the following conditions are fulfilled <ul style="list-style-type: none"> <li>• Starter control relay signal (CAN: Transmitted from BCM): OFF</li> <li>• Starter control relay signal (CAN: Transmitted from IPDM E/R): OFF</li> </ul>
B26F4: START CONT RLY OFF	Inhibit engine cranking	When the following conditions are fulfilled <ul style="list-style-type: none"> <li>• Starter control relay signal (CAN: Transmitted from BCM): ON</li> <li>• Starter control relay signal (CAN: Transmitted from IPDM E/R): ON</li> </ul>
B26F7: BCM	Inhibit engine cranking by Intelligent Key system	When room antenna and luggage room antenna functions normally

## REAR WIPER MOTOR PROTECTION

BCM detects the rear wiper stopping position according to the rear wiper stop position signal. When the rear wiper stop position signal does not change for more than 5 seconds while driving the rear wiper, BCM stops power supply to protect the rear wiper motor.

Condition of cancellation

1. More than 1 minute is passed after the rear wiper stop.
2. Turn rear wiper switch OFF.
3. Operate the rear wiper switch or rear washer switch.

## FAIL-SAFE CONTROL OF COMBINATION SWITCH READING FUNCTION CAUSED BY LOW POWER SUPPLY VOLTAGE

If voltage of battery power supply lower, BCM maintains combination switch reading to the status when input voltage is less than approximately 9 V.

### NOTE:

When voltage of battery power supply is approximately 9 V or more, combination switch reading function returns to normal operation.

## DTC Inspection Priority Chart

INFOID:000000008454132

If some DTCs are displayed at the same time, perform inspections one by one based on the following priority chart.

Priority	DTC
1	B2562: LOW VOLTAGE
2	<ul style="list-style-type: none"> <li>• U1000: CAN COMM CIRCUIT</li> <li>• U1010: CONTROL UNIT (CAN)</li> </ul>

# BCM (BODY CONTROL MODULE)

< ECU DIAGNOSIS INFORMATION >

[WITH INTELLIGENT KEY SYSTEM]

Priority	DTC
3	<ul style="list-style-type: none"><li>• B2192: ID DISCORD BCM-ECM</li><li>• B2193: CHAIN OF BCM-ECM</li><li>• B2195: ANTI-SCANNING</li><li>• B2196: DONGLE NG</li><li>• B2198: NATS ANTENNA AMP</li></ul>
4	<ul style="list-style-type: none"><li>• B2555: STOP LAMP</li><li>• B2556: PUSH-BTN IGN SW</li><li>• B2557: VEHICLE SPEED</li><li>• B2601: SHIFT POSITION</li><li>• B2602: SHIFT POSITION</li><li>• B2603: SHIFT POSI STATUS</li><li>• B2604: PNP/CLUTCH SW</li><li>• B2605: PNP/CLUTCH SW</li><li>• B2608: STARTER RELAY</li><li>• B260F: ENG STATE SIG LOST</li><li>• B2614: BCM</li><li>• B2615: BCM</li><li>• B2616: BCM</li><li>• B2618: BCM</li><li>• B261A: PUSH-BTN IGN SW</li><li>• B26F1: IGN RELAY OFF</li><li>• B26F2: IGN RELAY ON</li><li>• B26F3: START CONT RLY ON</li><li>• B26F4: START CONT RLY OFF</li><li>• B26F6: BCM</li><li>• B26F7: BCM</li><li>• B26F8: BCM</li><li>• B26FC: KEY REGISTRATION</li><li>• C1729: VHCL SPEED SIG ERR</li><li>• U0415: VEHICLE SPEED</li></ul>
5	<ul style="list-style-type: none"><li>• C1704: LOW PRESSURE FL</li><li>• C1705: LOW PRESSURE FR</li><li>• C1706: LOW PRESSURE RR</li><li>• C1707: LOW PRESSURE RL</li><li>• C1708: [NO DATA] FL</li><li>• C1709: [NO DATA] FR</li><li>• C1710: [NO DATA] RR</li><li>• C1711: [NO DATA] RL</li><li>• C1716: [PRESSDATA ERR] FL</li><li>• C1717: [PRESSDATA ERR] FR</li><li>• C1718: [PRESSDATA ERR] RR</li><li>• C1719: [PRESSDATA ERR] RL</li></ul>
6	<ul style="list-style-type: none"><li>• B2621: INSIDE ANTENNA</li><li>• B2622: INSIDE ANTENNA</li></ul>
7	<ul style="list-style-type: none"><li>• B2626: OUTSIDE ANTENNA</li><li>• B2627: OUTSIDE ANTENNA</li><li>• B2628: OUTSIDE ANTENNA</li></ul>

## DTC Index

INFOID:000000008454133

### NOTE:

The details of time display are as follows.

- CRNT: A malfunction is detected now.
- PAST: A malfunction was detected in the past.

IGN counter is displayed on Freeze Frame Data. For details of Freeze Frame Data, refer to [BCS-20, "COMMON ITEM : CONSULT Function \(BCM - COMMON ITEM\)".](#)

# BCM (BODY CONTROL MODULE)

< ECU DIAGNOSIS INFORMATION >

[WITH INTELLIGENT KEY SYSTEM]

CONSULT display	Fail-safe	Freeze Frame Data •Vehicle Speed •Odo/Trip Meter •Vehicle Condition	Intelligent Key warning lamp ON	Tire pressure monitor warning lamp ON	Reference page
No DTC is detected. further testing may be required.	—	—	—	—	—
U1000: CAN COMM	—	—	—	—	<a href="#">BCS-41</a>
U1010: CONTROL UNIT (CAN)	—	—	—	—	<a href="#">BCS-42</a>
U0415: VEHICLE SPEED	—	—	×	—	<a href="#">BCS-43</a>
B2192: ID DISCORD BCM-ECM	×	—	—	—	<a href="#">SEC-38</a>
B2193: CHAIN OF BCM-ECM	×	—	—	—	<a href="#">SEC-40</a>
B2195: ANTI-SCANNING	×	—	—	—	<a href="#">SEC-41</a>
B2196: DONGLE NG	×	—	—	—	<a href="#">SEC-42</a>
B2198: NATS ANTENNA AMP	×	—	—	—	<a href="#">SEC-44</a>
B2555: STOP LAMP	—	×	×	—	<a href="#">SEC-48</a>
B2556: PUSH-BTN IGN SW	—	×	×	—	<a href="#">SEC-50</a>
B2557: VEHICLE SPEED	—	×	×	—	<a href="#">SEC-52</a>
B2562: LOW VOLTAGE	—	×	—	—	<a href="#">BCS-44</a>
B2601: SHIFT POSITION	—	×	×	—	<a href="#">SEC-53</a>
B2602: SHIFT POSITION	—	×	×	—	<a href="#">SEC-56</a>
B2603: SHIFT POSI STATUS	—	×	×	—	<a href="#">SEC-59</a>
B2604: PNP/CLUTCH SW	—	×	×	—	<a href="#">SEC-64</a>
B2605: PNP/CLUTCH SW	—	×	×	—	<a href="#">SEC-67</a>
B2608: STARTER RELAY	×	×	×	—	<a href="#">SEC-69</a>
B260F: ENG STATE SIG LOST	×	×	×	—	<a href="#">SEC-71</a>
B2614: BCM	—	×	×	—	<a href="#">PCS-75</a>
B2615: BCM	—	×	×	—	<a href="#">PCS-78</a>
B2616: BCM	—	×	×	—	<a href="#">PCS-81</a>
B2618: BCM	—	×	×	—	<a href="#">PCS-84</a>
B261A: PUSH-BTN IGN SW	—	×	×	—	<a href="#">PCS-85</a>
B2621: INSIDE ANTENNA	—	×	—	—	<a href="#">DLK-44</a>
B2622: INSIDE ANTENNA	—	×	—	—	<a href="#">DLK-46</a>
B2626: OUTSIDE ANTENNA	—	×	—	—	<a href="#">DLK-50</a>
B2627: OUTSIDE ANTENNA	—	×	—	—	<a href="#">DLK-48</a>
B2628: OUTSIDE ANTENNA	—	×	—	—	<a href="#">DLK-52</a>
B26F1: IGN RELAY OFF	×	×	×	—	<a href="#">PCS-87</a>
B26F2: IGN RELAY ON	×	×	×	—	<a href="#">PCS-89</a>
B26F3: START CONT RLY ON	×	×	×	—	<a href="#">SEC-72</a>
B26F4: START CONT RLY OFF	×	×	×	—	<a href="#">SEC-73</a>
B26F6: BCM	—	×	×	—	<a href="#">PCS-91</a>
B26F7: BCM	×	×	×	—	<a href="#">SEC-75</a>
B26F8: BCM	—	×	×	—	<a href="#">SEC-76</a>
B26FC: KEY REGISTRATION	—	×	×	—	<a href="#">SEC-77</a>

A

B

C

D

E

F

G

H

I

J

K

L

BCS

N

O

P

# BCM (BODY CONTROL MODULE)

< ECU DIAGNOSIS INFORMATION >

[WITH INTELLIGENT KEY SYSTEM]

CONSULT display	Fail-safe	Freeze Frame Data •Vehicle Speed •Odo/Trip Meter •Vehicle Condition	Intelligent Key warning lamp ON	Tire pressure monitor warning lamp ON	Reference page
C1704: LOW PRESSURE FL	—	—	—	×	<a href="#">WT-23</a>
C1705: LOW PRESSURE FR	—	—	—	×	
C1706: LOW PRESSURE RR	—	—	—	×	
C1707: LOW PRESSURE RL	—	—	—	×	
C1708: [NO DATA] FL	—	—	—	×	<a href="#">WT-25</a>
C1709: [NO DATA] FR	—	—	—	×	
C1710: [NO DATA] RR	—	—	—	×	
C1711: [NO DATA] RL	—	—	—	×	
C1716: [PRESSDATA ERR] FL	—	—	—	×	<a href="#">WT-28</a>
C1717: [PRESSDATA ERR] FR	—	—	—	×	
C1718: [PRESSDATA ERR] RR	—	—	—	×	
C1719: [PRESSDATA ERR] RL	—	—	—	×	
C1729: VHCL SPEED SIG ERR	—	—	—	×	<a href="#">WT-30</a>

# COMBINATION SWITCH SYSTEM SYMPTOMS

< SYMPTOM DIAGNOSIS >

[WITH INTELLIGENT KEY SYSTEM]

## SYMPTOM DIAGNOSIS

### COMBINATION SWITCH SYSTEM SYMPTOMS

#### Symptom Table

INFOID:000000008454134

1. Perform "Data Monitor" of CONSULT to check for any malfunctioning item.
2. Check the malfunction combinations.

Malfunction item: x

Data monitor item																	Malfunction combination
FR WIPER HI	FR WIPER LOW	FR WASHER SW	FR WIPER INT	RR WIPER ON	RR WIPER INT	RR WASHER SW	INT VOLUME	TURN SIGNAL R	TURN SIGNAL L	TAIL LAMP SW	HI BEAM SW	HEAD LAMP SW 1	HEAD LAMP SW 2	PASSING SW	AUTO LIGHT SW	FR FOG SW	
	x	x						x	x								A
x			x									x		x			B
						x	x				x		x				C
					x		x			x					x		D
				x			x									x	E
x					x		x										F
		x		x		x	x										G
	x		x												x		H
									x				x	x		x	I
								x		x	x	x					J
All Items																	K
If only one item is detected or the item is not applicable to the combinations A to K																	L

3. Identify the malfunctioning part from the agreed combination and repair or replace the part.

Malfunction combination	Malfunctioning part	Repair or replace
A	Combination switch OUTPUT 1 circuit	Inspect the combination switch output circuit applicable to the malfunctioning part. Refer to <a href="#">BCS-46, "Diagnosis Procedure"</a> .
B	Combination switch OUTPUT 2 circuit	
C	Combination switch OUTPUT 3 circuit	
D	Combination switch OUTPUT 4 circuit	
E	Combination switch OUTPUT 5 circuit	
F	Combination switch INPUT 1 circuit	Inspect the combination switch input circuit applicable to the malfunctioning part. Refer to <a href="#">BCS-48, "Diagnosis Procedure"</a> .
G	Combination switch INPUT 2 circuit	
H	Combination switch INPUT 3 circuit	
I	Combination switch INPUT 4 circuit	
J	Combination switch INPUT 5 circuit	
K	BCM	Replace BCM. Refer to <a href="#">BCS-82, "Exploded View"</a> .
L	Combination switch	Replace combination switch.

## NORMAL OPERATING CONDITION

< SYMPTOM DIAGNOSIS >

[WITH INTELLIGENT KEY SYSTEM]

### NORMAL OPERATING CONDITION

#### Description

INFOID:000000008914617

#### SHIPPING MODE

- Shipping mode inhibits battery power consumption during transportation or storage of the vehicle. Vehicle is set to shipping mode before being shipped from the factory.
- When ignition switch is OFF, BCM operates shipping mode.
- BCM control functions are limited in shipping mode. The limited items that are not operated during the shipping mode are as follows.
  - Door lock and unlock switch function
  - Remote keyless entry function
  - Theft warning alarm function
  - Lighting & turn signal switch function
  - Interior room lamp timer control function
- For shipping mode cancel operation, refer to [BCS-8, "Description"](#).

**NOTE:**

Do not cancel shipping mode during storage of the vehicle. Always cancel shipping mode before delivery of the vehicle to customer.



PRECAUTION

PRECAUTIONS

Precaution for Supplemental Restraint System (SRS) "AIR BAG" and "SEAT BELT PRE-TENSIONER"

INFOID:000000008454136

The Supplemental Restraint System such as "AIR BAG" and "SEAT BELT PRE-TENSIONER", used along with a front seat belt, helps to reduce the risk or severity of injury to the driver and front passenger for certain types of collision. This system includes seat belt switch inputs and dual stage front air bag modules. The SRS system uses the seat belt switches to determine the front air bag deployment, and may only deploy one front air bag, depending on the severity of a collision and whether the front occupants are belted or unbelted. Information necessary to service the system safely is included in the "SRS AIR BAG" and "SEAT BELT" of this Service Manual.

**WARNING:**

Always observe the following items for preventing accidental activation.

- To avoid rendering the SRS inoperative, which could increase the risk of personal injury or death in the event of a collision that would result in air bag inflation, all maintenance must be performed by an authorized NISSAN/INFINITI dealer.
- Improper maintenance, including incorrect removal and installation of the SRS, can lead to personal injury caused by unintentional activation of the system. For removal of Spiral Cable and Air Bag Module, see "SRS AIR BAG".
- Never use electrical test equipment on any circuit related to the SRS unless instructed to in this Service Manual. SRS wiring harnesses can be identified by yellow and/or orange harnesses or harness connectors.

PRECAUTIONS WHEN USING POWER TOOLS (AIR OR ELECTRIC) AND HAMMERS

**WARNING:**

Always observe the following items for preventing accidental activation.

- When working near the Air Bag Diagnosis Sensor Unit or other Air Bag System sensors with the ignition ON or engine running, never use air or electric power tools or strike near the sensor(s) with a hammer. Heavy vibration could activate the sensor(s) and deploy the air bag(s), possibly causing serious injury.
- When using air or electric power tools or hammers, always switch the ignition OFF, disconnect the battery, and wait at least 3 minutes before performing any service.

A  
B  
C  
D  
E  
F  
G  
H  
I  
J  
K  
L

BCS

N  
O  
P

# BCM (BODY CONTROL MODULE)

< REMOVAL AND INSTALLATION >

[WITH INTELLIGENT KEY SYSTEM]

## REMOVAL AND INSTALLATION

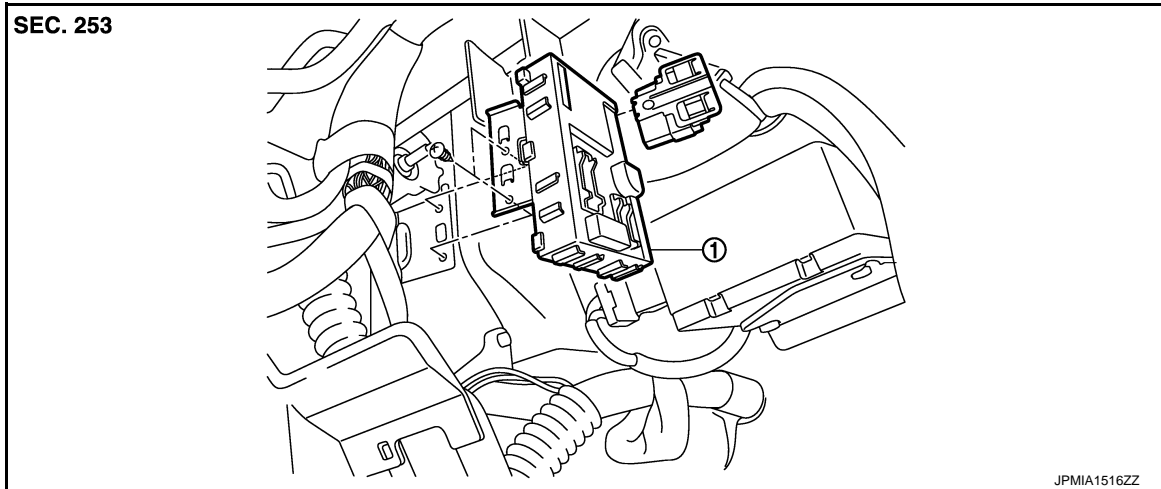
### BCM (BODY CONTROL MODULE)

#### Exploded View

INFOID:000000008454137

#### NOTE:

Before replacing BCM, perform "READ CONFIGURATION" to save or print current vehicle specification. Refer to [BCS-6. "Description"](#).



1. BCM

#### Removal and Installation

INFOID:000000008454138

#### NOTE:

Before replacing BCM, perform "READ CONFIGURATION" to save or print current vehicle specification. Refer to [BCS-6. "Description"](#).

#### REMOVAL

1. Remove knee protector. Refer to [JP-12. "Exploded View"](#).
2. Remove fuse block (J/B).
3. Remove harness clip.
4. Remove screws.
5. Remove BCM and disconnect the connector.
6. Remove the ignition relay and back door lock actuator relay.

#### INSTALLATION

Install in the reverse order of removal.

#### CAUTION:

**Be sure to perform "WRITE CONFIGURATION" when replacing BCM. Or not doing so, BCM control function does not operate normally.**

#### NOTE:

Be sure to perform the system initialization (NATS) when replacing BCM. Refer to [SEC-9. "ECM : Special Repair Requirement"](#).

# COMBINATION SWITCH

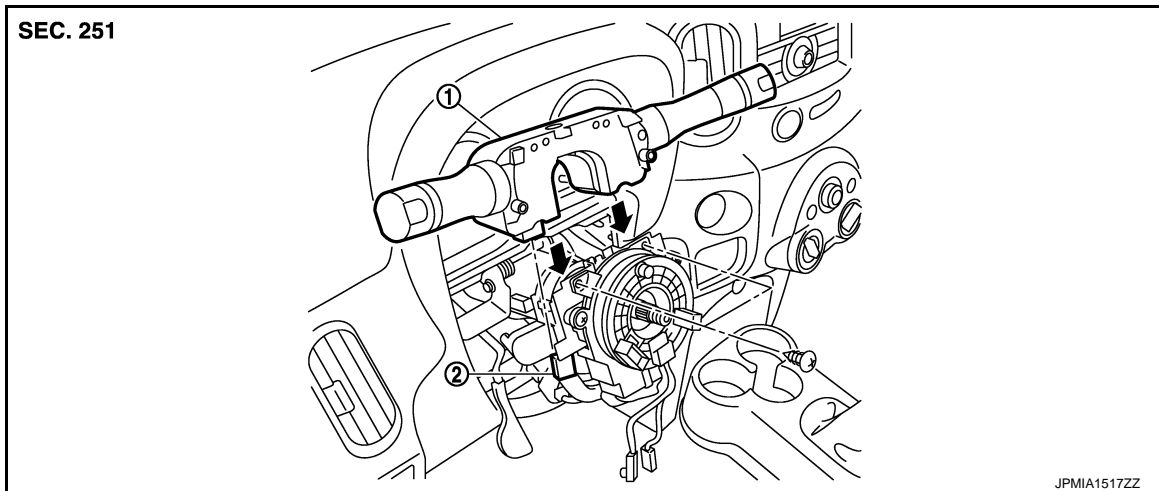
< REMOVAL AND INSTALLATION >

[WITH INTELLIGENT KEY SYSTEM]

## COMBINATION SWITCH

### Exploded View

INFOID:000000008454139



1. Combination switch

2. Combination switch connector

### Removal and Installation

INFOID:000000008454140

#### REMOVAL

1. Remove steering column cover. Refer to [IP-12. "Exploded View"](#).
2. Remove screws.
3. Disconnect the connector.
4. Pull up the combination switch to remove it.

#### INSTALLATION

Install in the reverse order of removal.

A  
B  
C  
D  
E  
F  
G  
H  
I  
J  
K  
L

BCS

## ADDITIONAL SERVICE WHEN REPLACING CONTROL UNIT

< BASIC INSPECTION >

[WITHOUT INTELLIGENT KEY SYSTEM]

# BASIC INSPECTION

## ADDITIONAL SERVICE WHEN REPLACING CONTROL UNIT

### Description

INFOID:000000008454141

#### BEFORE REPLACEMENT

When replacing BCM, save or print current vehicle specification with CONSULT configuration before replacement.

#### NOTE:

If "READ CONFIGURATION" can not be used, use the "WRITE CONFIGURATION - Manual selection" after replacing BCM.

#### AFTER REPLACEMENT

#### CAUTION:

When replacing BCM, always perform "WRITE CONFIGURATION" with CONSULT. Or not doing so, BCM control function does not operate normally.

- Complete the procedure of "WRITE CONFIGURATION" in order.
- Configuration is different for each vehicle model. Confirm configuration of each vehicle model.
- If you set incorrect "WRITE CONFIGURATION", incidents might occur.

#### NOTE:

When replacing BCM, perform the system initialization (NATS) (if equipped).

### Work Procedure

INFOID:000000008454142

#### 1. SAVING VEHICLE SPECIFICATION

---

##### ⓅCONSULT Configuration

Perform "READ CONFIGURATION" to save or print current vehicle specification. Refer to [BCS-85. "Description"](#).

#### NOTE:

If "READ CONFIGURATION" can not be used, use the "WRITE CONFIGURATION - Manual selection" after replacing BCM.

>> GO TO 2.

#### 2. REPLACE BCM

---

Replace BCM. Refer to [BCS-144. "Removal and Installation"](#).

>> GO TO 3.

#### 3. WRITING VEHICLE SPECIFICATION

---

##### ⓅCONSULT Configuration

Perform "WRITE CONFIGURATION - Config file" or "WRITE CONFIGURATION - Manual selection" to write vehicle specification. Refer to [BCS-85. "Work Procedure"](#).

>> GO TO 4.

#### 4. INITIALIZE BCM (NATS) (IF EQUIPPED)

---

Perform BCM initialization. (NATS)

>> WORK END

## CONFIGURATION (BCM)

### Description

INFOID:000000008454143

Vehicle specification needs to be written with CONSULT because it is not written after replacing BCM. Configuration has three functions as follows.

Function	Description
READ CONFIGURATION	<ul style="list-style-type: none"> <li>• Reads the vehicle configuration of current BCM.</li> <li>• Saves the read vehicle configuration.</li> </ul>
WRITE CONFIGURATION - Manual selection	Writes the vehicle configuration with manual selection.
WRITE CONFIGURATION - Config file	Writes the vehicle configuration with saved data.

**NOTE:**

Manual setting item: Items which need selection by vehicle specifications

Automatic setting item: Items which are written in automatically (Setting can not be changed)

For some models and specifications, the automatic setting item may not be displayed.

**CAUTION:**

**When replacing BCM, always perform “WRITE CONFIGURATION” with CONSULT. Or not doing so, BCM control function does not operate normally.**

- Complete the procedure of “WRITE CONFIGURATION” in order.
- Configuration is different for each vehicle model. Confirm configuration of each vehicle model.
- Never perform “WRITE CONFIGURATION” except for new BCM.
- If you set incorrect “WRITE CONFIGURATION”, incidents might occur.

### Work Procedure


INFOID:000000008454144

#### 1. WRITING MODE SELECTION

 CONSULT Configuration  
Select “CONFIGURATION” of BCM.


When writing saved data>>GO TO 2.  
When writing manually>>GO TO 3.

#### 2. PERFORM “WRITE CONFIGURATION - CONFIG FILE”

 CONSULT Configuration  
Perform “WRITE CONFIGURATION - Config file”.

>> WORK END

#### 3. PERFORM “WRITE CONFIGURATION - MANUAL SELECTION”

-  CONSULT Configuration
1. Select "WRITE CONFIGURATION - Manual selection".
  2. Identify the correct model and configuration list. Refer to [BCS-86, "Configuration list"](#).
  3. Confirm and/or change setting value for each item.

**CAUTION:**

**Thoroughly read and understand the vehicle specification. ECU control may not operate normally if the setting is not correct.**

**NOTE:**

If items are not displayed, touch “SETTING”. Refer to [BCS-86, "Configuration list"](#) for written items and setting value.

4. Select "SETTING".

**CAUTION:**

**Make sure to select “SETTING” even if the indicated configuration of brand new BCM is same as the desirable configuration. If not, configuration which is set automatically by selecting vehicle model can not be memorized.**

5. When "COMMAND FINISHED", select "END".

A

B

C

D

E

F

G

H

I

J

K

L

BCS

N

O

P

# CONFIGURATION (BCM)

[WITHOUT INTELLIGENT KEY SYSTEM]

< BASIC INSPECTION >

>> GO TO 4.

## 4. OPERATION CHECK

Confirm that each function controlled by BCM operates normally.

>> WORK END

### Configuration list

INFOID:000000008454145

#### **CAUTION:**

**Thoroughly read and understand the vehicle specification. ECU control may not operate normally if the setting is not correct.**

SETTING ITEM		NOTE
Items	Setting value	
CAN FAULT DETECTION	MODE4 ⇔ WITHOUT	<ul style="list-style-type: none"><li>• MODE4: Except M/T models</li><li>• WITHOUT: M/T models</li></ul>
AUTO LIGHT	WITHOUT	—
DTRL	WITH ⇔ WITHOUT	<ul style="list-style-type: none"><li>• WITH: With daytime running light system</li><li>• WITHOUT: Without daytime running light system</li></ul>

⇔: Items which confirm vehicle specifications

# SHIPPING MODE CANCEL OPERATION

[WITHOUT INTELLIGENT KEY SYSTEM]

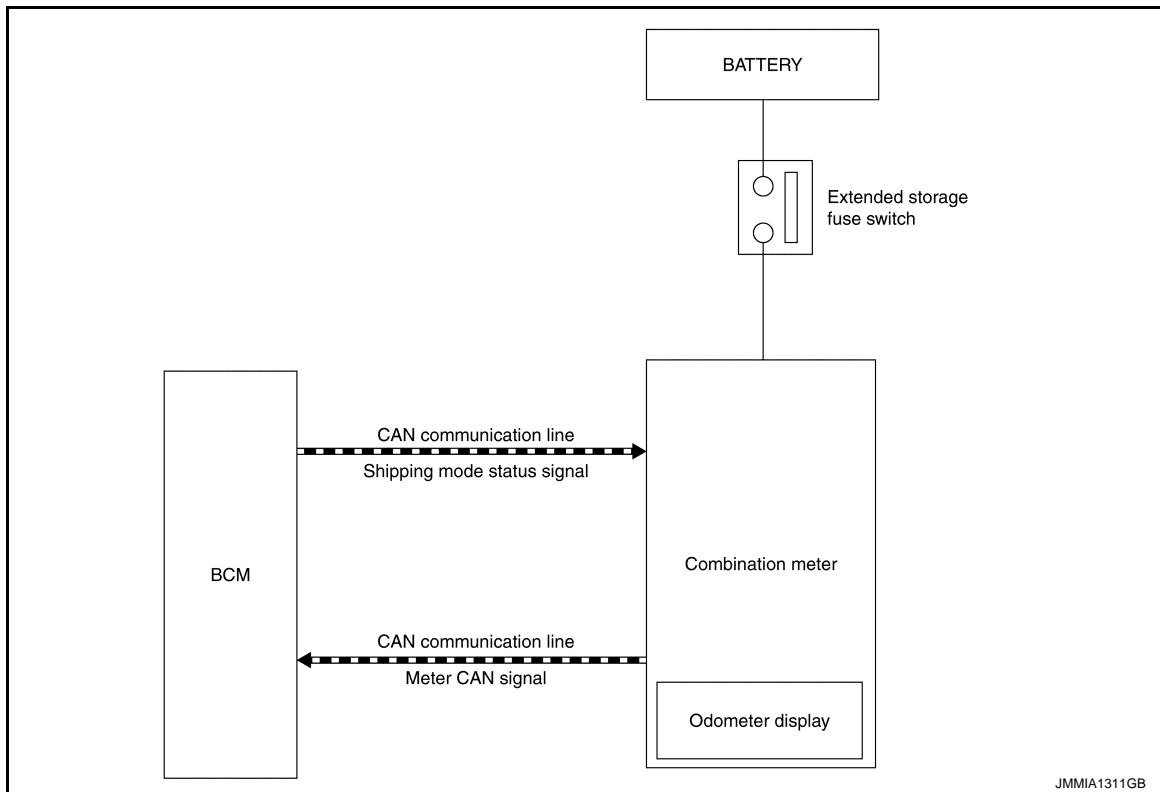
< BASIC INSPECTION >

## SHIPPING MODE CANCEL OPERATION

### Description

INFOID:000000008907530

### SYSTEM DIAGRAM



### DESCRIPTION

- The combination meter transmits meter CAN signal\*<sup>1</sup> to BCM via CAN communication, when the extended storage fuse switch is ON.
- BCM switches the status (shipping mode or normal mode) by itself according to the meter CAN signal\*<sup>1</sup> from combination meter, and transmits shipping mode status signal to combination meter via CAN communication.
- The combination meter displays extended storage fuse warning message\*<sup>2</sup> on the odometer display, when BCM is in shipping mode.
- BCM control functions are limited in shipping mode. Refer to [BCS-143. "Description"](#).

\*1: Odometer signal, wake up signal and each signal.

\*2: When shipping mode function operates, "SHIP→PHASE→On→PUSH→FUSE In" is displayed.

### Work Procedure

INFOID:000000008907531

#### 1. TRANSIT MODE CANCEL OPERATION

1. Turn ignition switch OFF.
2. Push in (switch on) the extended storage fuse switch. Refer to [PG-27. "Fuse"](#).
3. Turn ignition switch ON.
4. Turn ignition switch OFF and wait at least 2seconds.

>> GO TO 2.

#### 2. TRANSIT MODE CANCEL CHECK

1. Turn ignition switch ON.
2. Check that extended storage fuse warning message is not displays on odometer display.

>> WORK END

A  
B  
C  
D  
E  
F  
G  
H  
I  
J  
K  
L  
N  
O  
P

BCS

# BODY CONTROL SYSTEM

[WITHOUT INTELLIGENT KEY SYSTEM]

< SYSTEM DESCRIPTION >

## SYSTEM DESCRIPTION

### BODY CONTROL SYSTEM

#### System Description

INFOID:000000008454148

#### OUTLINE

- BCM (Body Control Module) controls various electrical components. It receives the information required from CAN communication and the signals received from each switch and sensor.
- BCM has a combination switch reading function for reading the status of combination switches (light, turn signal, wiper and washer) in addition to functions for controlling the operation of various electrical components. It also has a signal transmission function, for other systems, and a power consumption control function that reduces the power consumption with the ignition switch OFF.
- BCM is equipped with a diagnosis function that operates with CONSULT and allows for various settings to be changed.

#### BCM FUNCTION LIST

System	Reference page
Combination switch reading system	<a href="#">BCS-90, "System Diagram"</a>
Signal buffer system	<a href="#">BCS-94, "System Diagram"</a>
Power consumption control system	<a href="#">BCS-95, "System Diagram"</a>
Headlamp system	<a href="#">EXL-8, "System Diagram"</a>
Daytime running light system	<a href="#">EXL-10, "System Diagram"</a>
Turn signal and hazard warning lamp system	<a href="#">EXL-17, "System Diagram"</a>
Parking, license plate, side maker and tail lamps system	<a href="#">EXL-19, "System Diagram"</a>
Exterior lamp battery saver system	<a href="#">EXL-21, "System Diagram"</a>
Interior room lamp control system	<a href="#">INL-6, "System Diagram"</a>
Interior room lamp battery saver system	<a href="#">INL-9, "System Diagram"</a>
Illumination control system	<a href="#">INL-11, "System Diagram"</a>
Front wiper and washer system	<a href="#">WW-6, "System Diagram"</a>
Rear wiper and washer system	<a href="#">WW-10, "System Diagram"</a>
Manual air conditioner system	<a href="#">HAC-130, "System Diagram"</a>
Warning chime system	<a href="#">WCS-5, "WARNING CHIME SYSTEM : System Diagram"</a>
Power door lock system	<a href="#">DLK-210, "System Diagram"</a>
Nissan vehicle immobilizer system-NATS (NVIS)	<a href="#">SEC-156, "System Diagram"</a>
Vehicle security system	<a href="#">SEC-158, "System Diagram"</a>
Panic alarm	<a href="#">SEC-158, "System Description"</a>
Rear window defogger system	<a href="#">DEF-4, "System Diagram"</a>
Remote keyless entry system	<a href="#">DLK-213, "System Diagram"</a>
Power window system	<a href="#">PWC-7, "System Diagram"</a>
Retained accessory power (RAP) system	<a href="#">PWC-7, "System Description"</a>
Tire pressure monitor system (TPMS) - AIR PRESSURE MONITOR	<a href="#">WT-8, "TIRE PRESSURE MONITORING SYSTEM : System Description"</a>



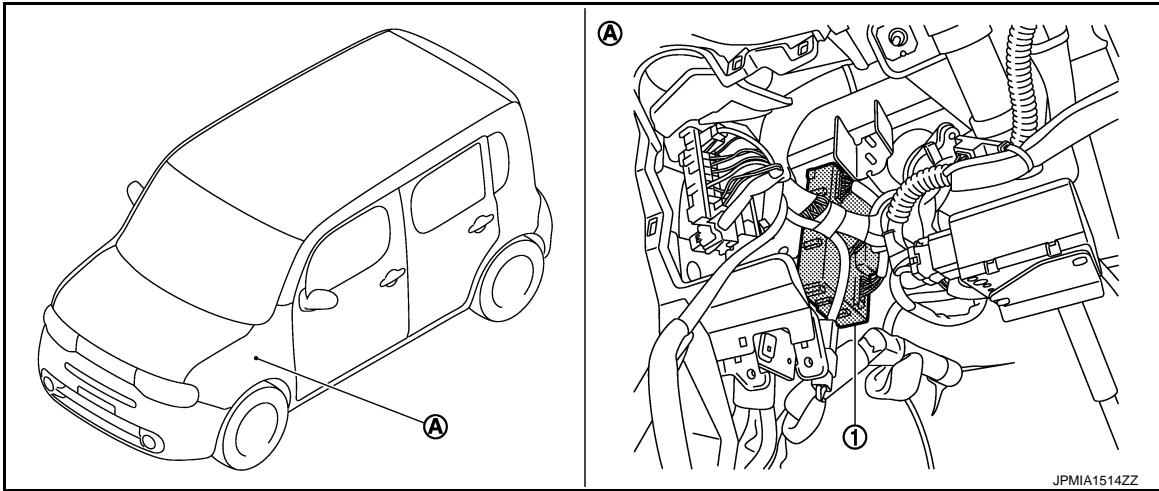
# BODY CONTROL SYSTEM

[WITHOUT INTELLIGENT KEY SYSTEM]

< SYSTEM DESCRIPTION >

## Component Parts Location

INFOID:000000008454149



- 1. BCM
- A. Behind of instrument lower panel LH  
(Left side)

A  
B  
C  
D  
E  
F  
G  
H  
I  
J  
K  
L

BCS

N  
O  
P

# COMBINATION SWITCH READING SYSTEM

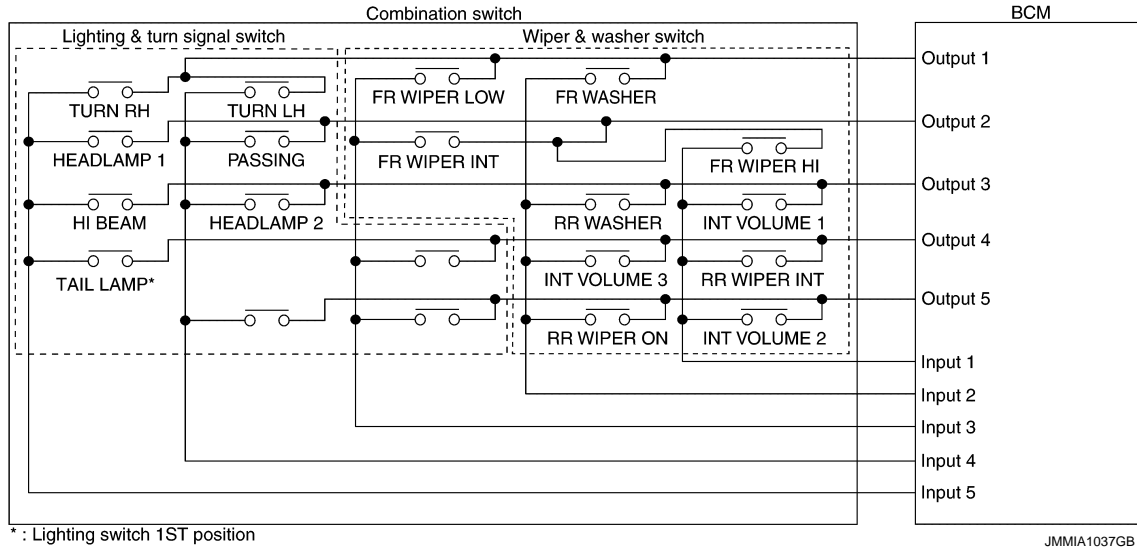
< SYSTEM DESCRIPTION >

[WITHOUT INTELLIGENT KEY SYSTEM]

## COMBINATION SWITCH READING SYSTEM

### System Diagram

INFOID:000000008454150



### System Description

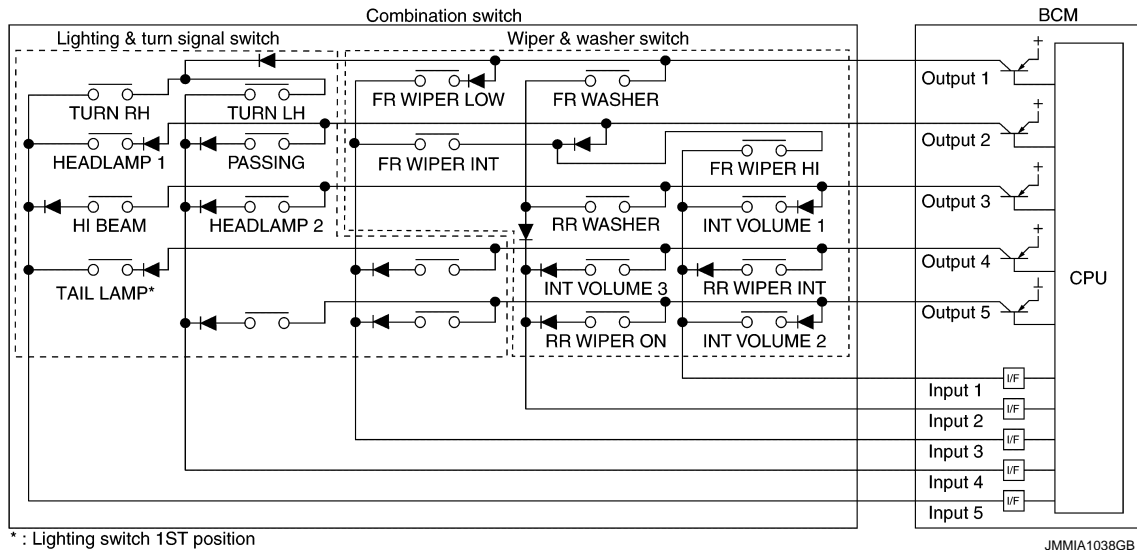
INFOID:000000008454151

#### OUTLINE

- BCM reads the status of the combination switch (light, turn signal, wiper and washer) and recognizes the status of each switch.
- BCM has a combination of 5 output terminals (OUTPUT 1 - 5) and 5 input terminals (INPUT 1 - 5). It reads a maximum of 20 switch status.

#### COMBINATION SWITCH MATRIX

##### Combination switch circuit



#### Combination switch INPUT-OUTPUT system list

System	INPUT 1	INPUT 2	INPUT 3	INPUT 4	INPUT 5
OUTPUT 1	—	FR WIPER LOW	FR WIPER HI	TURN LH	TURN RH
OUTPUT 2	FR WIPER HI	—	FR WIPER INT	PASSING	HEADLAMP 1
OUTPUT 3	INT VOLUME 1	RR WIPER ON	—	HEADLAMP 2	HI BEAM

# COMBINATION SWITCH READING SYSTEM

[WITHOUT INTELLIGENT KEY SYSTEM]

< SYSTEM DESCRIPTION >

System	INPUT 1	INPUT 2	INPUT 3	INPUT 4	INPUT 5
OUTPUT 4	RR WIPER INT	INT VOLUME 3	—	—	TAIL LAMP
OUTPUT 5	INT VOLUME 2	RR WIPER	—	—	—

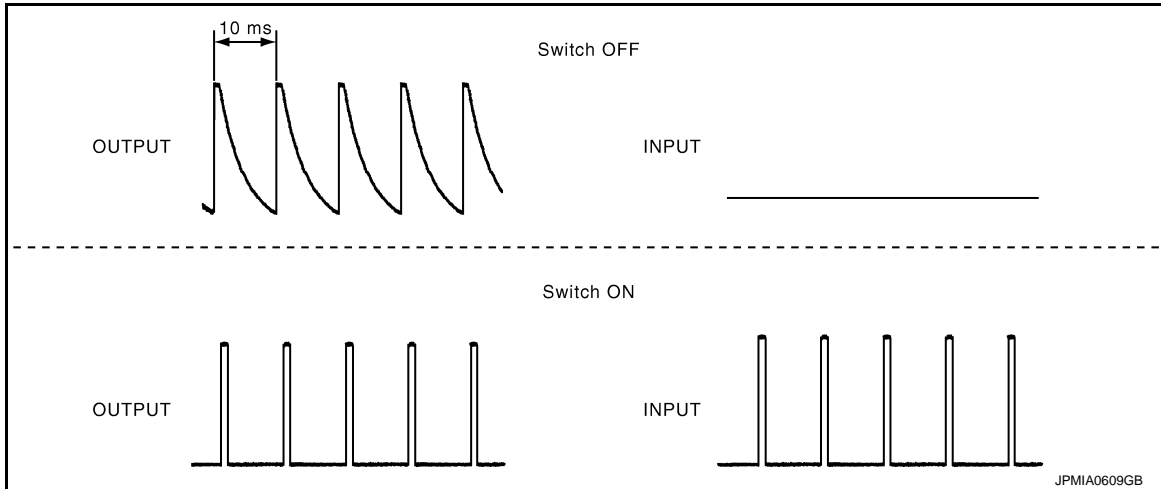
**NOTE:**

Headlamp has a dual system switch.

## COMBINATION SWITCH READING FUNCTION

Description

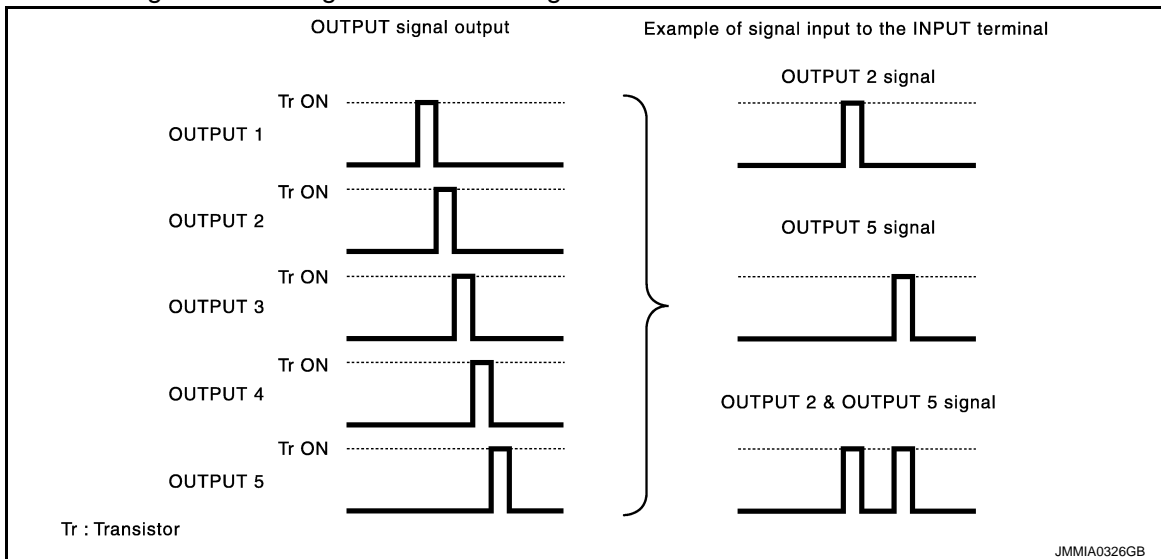
- BCM reads the status of the combination switch at 10 ms interval normally.



**NOTE:**

BCM reads the status of the combination switch at 60 ms interval when BCM is controlled at low power consumption control mode.

- BCM operates as follows and judges the status of the combination switch.
  - It operates the transistor on OUTPUT side in the following order: OUTPUT 1 → 2 → 3 → 4 → 5, and outputs voltage waveform.
  - The voltage waveform of OUTPUT corresponding to the formed circuit is input into the interface on INPUT side if any (1 or more) switches are ON.
  - It reads this change of the voltage as the status signal of the combination switch.



### Operation Example

In the following operation example, the combination of the status signals of the combination switch is replaced as follows: INPUT 1 - 5 to "1 - 5" and OUTPUT 1 - 5 to "A - E".

Example 1: When a switch (TAIL LAMP switch) is turned ON

A  
B  
C  
D  
E  
F  
G  
H  
I  
J  
K  
L  
N  
O  
P

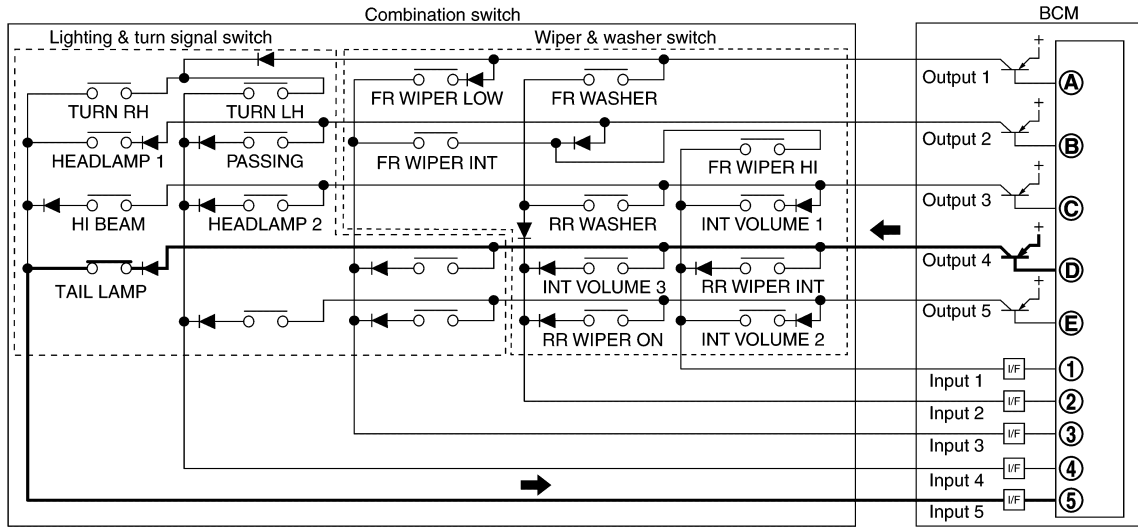
BCS

# COMBINATION SWITCH READING SYSTEM

< SYSTEM DESCRIPTION >

[WITHOUT INTELLIGENT KEY SYSTEM]

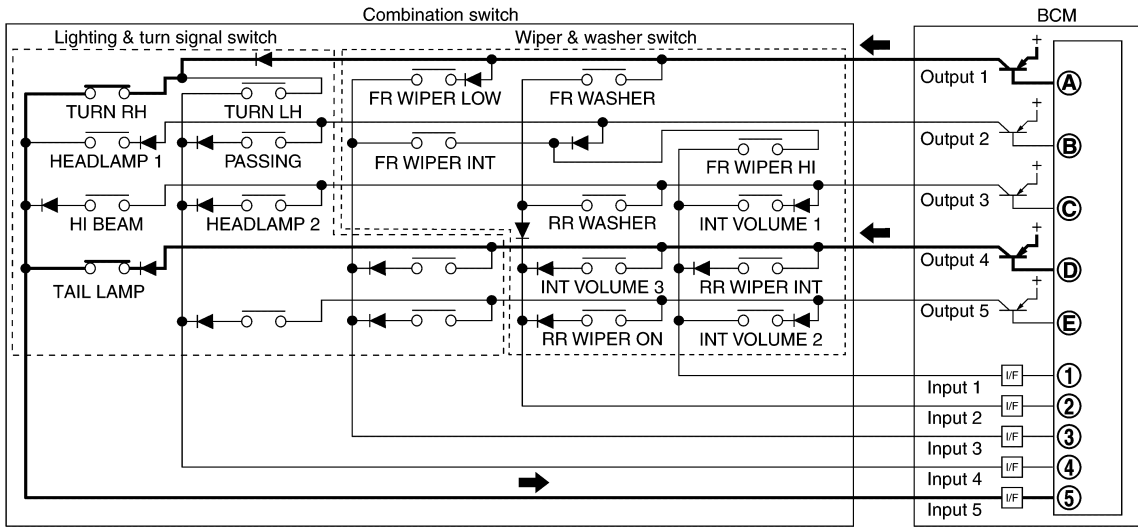
- The circuit between OUTPUT 4 and INPUT 5 is formed when the TAIL LAMP switch is turned ON.



- BCM detects the combination switch status signal "5D" when the signal of OUTPUT 4 is input to INPUT 5.
- BCM judges that the TAIL LAMP switch is ON when the signal "5D" is detected.

Example 2: When some switches (TURN RH switch, TAIL LAMP switch) are turned ON

- The circuits between OUTPUT 1 and INPUT 5 and between OUTPUT 4 and INPUT 5 are formed when the TURN RH switch and TAIL LAMP switch are turned ON.



- BCM detects the combination switch status signal "5AD" when the signals of OUTPUT 1 and OUTPUT 4 are input to INPUT 5.
- BCM judges that the TURN RH switch and TAIL LAMP switch are ON when the signal "5AD" is detected.

## WIPER INTERMITTENT DIAL POSITION

BCM judges the wiper intermittent dial 1 - 7 by the status of INT VOLUME 1, 2 and 3 switches.

Wiper intermittent dial position	Switch status		
	INT VOLUME 1	INT VOLUME 2	INT VOLUME 3
1	ON	ON	ON
2	ON	ON	OFF
3	ON	OFF	OFF
4	OFF	OFF	OFF
5	OFF	OFF	ON

# COMBINATION SWITCH READING SYSTEM

< SYSTEM DESCRIPTION >

[WITHOUT INTELLIGENT KEY SYSTEM]

Wiper intermittent dial position	Switch status		
	INT VOLUME 1	INT VOLUME 2	INT VOLUME 3
6	OFF	ON	ON
7	OFF	ON	OFF

**NOTE:**

For details of wiper intermittent dial position, refer to [WW-6. "System Description"](#).

A  
B  
C  
D  
E  
F  
G  
H  
I  
J  
K  
L

BCS

N  
O  
P

# SIGNAL BUFFER SYSTEM

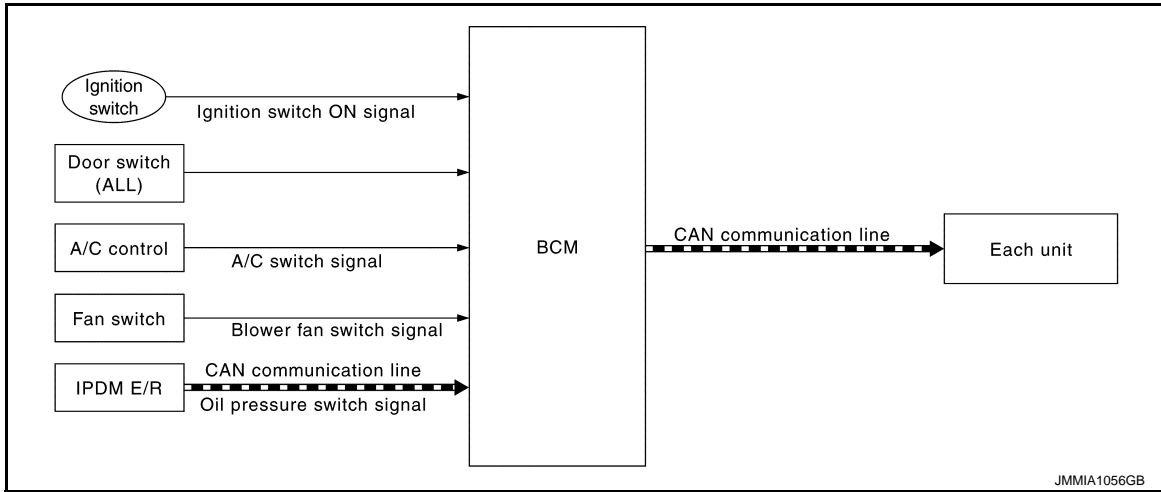
< SYSTEM DESCRIPTION >

[WITHOUT INTELLIGENT KEY SYSTEM]

## SIGNAL BUFFER SYSTEM

### System Diagram

INFOID:000000008454152



### System Description

INFOID:000000008454153

#### OUTLINE

BCM has the signal transmission function that outputs/transmits each input/received signal to each unit.

#### SIGNAL TRANSMISSION FUNCTION LIST

Signal name	Input	Output	Description
Ignition switch ON signal	Ignition switch	IPDM E/R (CAN)	Inputs the ignition switch signal and transmits it with CAN communication.
Door switch signal	Any door switch	<ul style="list-style-type: none"> <li>Combination meter (CAN)</li> <li>IPDM E/R (CAN)</li> </ul>	Inputs the door switch signal and transmits it with CAN communication.
Blower fan on signal	Fan switch	ECM (CAN)	Inputs each signals, and transmits the blower fan on signal and A/C on signal via CAN communication.
A/C on signal	A/C control		
Oil pressure switch signal	IPDM E/R (CAN)	Combination meter (CAN)	Transmits the received oil pressure switch signal with CAN communication.

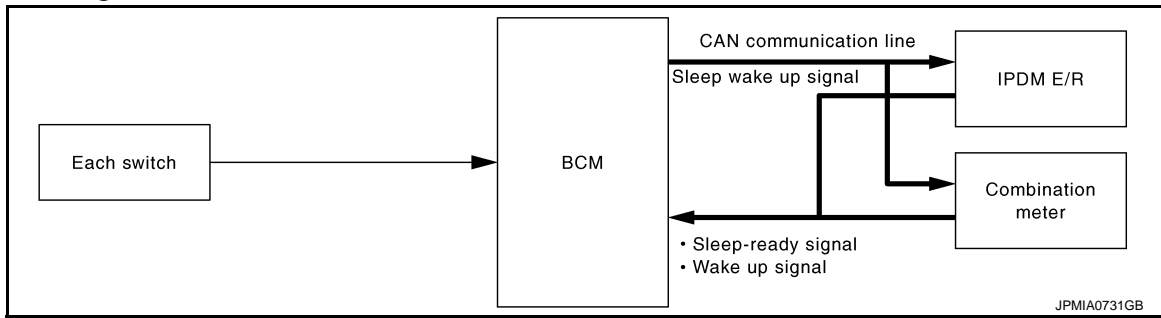
# POWER CONSUMPTION CONTROL SYSTEM

< SYSTEM DESCRIPTION >

[WITHOUT INTELLIGENT KEY SYSTEM]

## POWER CONSUMPTION CONTROL SYSTEM

### System Diagram



### System Description

INFOID:000000008454155

#### OUTLINE

- BCM incorporates a power saving control function that reduces the power consumption according to the vehicle status.
- BCM switches the status (control mode) by itself with the power saving control function. It performs the sleep request to each unit (IPDM E/R and combination meter) that operates with the ignition switch OFF.

#### Normal mode (wake-up)

- CAN communication is normally performed with other units
- Each control with BCM is operating properly

#### CAN communication sleep mode (CAN sleep)

- CAN transmission is stopped
- Control with BCM only is operating

#### Low power consumption mode (BCM sleep)

- Low power consumption control is active
- CAN transmission is stopped

#### LOW POWER CONSUMPTION CONTROL WITH BCM

BCM reduces the power consumption with the following operation in the low power consumption mode.

- The reading interval of the each switches changes from 10 ms interval to 60 ms interval.

#### Sleep mode activation

- BCM receives the sleep-ready signal (ready) from IPDM E/R and combination meter via CAN communication.
- BCM transmits the sleep wake up signal (sleep) to each unit when all of the CAN sleep conditions are fulfilled.
- Each unit stops the transmission of CAN communication with the sleep wake up signal. BCM is in CAN communication sleep mode.
- BCM is in the low power consumption mode and perform the low power consumption control when all of the BCM sleep conditions are fulfilled with CAN sleep condition.

#### Sleep condition

CAN sleep condition	BCM sleep condition
<ul style="list-style-type: none"> <li>• Receiving the sleep-ready signal (ready) from all units</li> <li>• Ignition switch: OFF</li> <li>• Vehicle security system and panic alarm: Not operation</li> <li>• Warning chime: Not operation</li> <li>• Stop lamp switch: OFF</li> <li>• Turn signal indicator lamp: Not operation</li> <li>• Exterior lamp: OFF</li> <li>• Door lock status: No change</li> <li>• CONSULT communication status: Not communication</li> <li>• Door switch status: No change</li> <li>• Rear window defogger: OFF</li> <li>• Key switch status: No change</li> </ul>	<ul style="list-style-type: none"> <li>• Interior room lamp battery saver: Time out</li> <li>• RAP system: OFF</li> <li>• Nissan Vehicle Immobilizer System (NVIS) - NATS: Not operation</li> <li>• Remote keyless entry receiver communication status: No communication</li> <li>• Tire pressure monitor system (TPMS) - AIR PRESSURE MONITOR: Stop</li> </ul>

# POWER CONSUMPTION CONTROL SYSTEM

< SYSTEM DESCRIPTION >

[WITHOUT INTELLIGENT KEY SYSTEM]

## Wake-up operation

- BCM transmits sleep wake up signal (wake up) to each unit when any condition listed below is established, and then goes into normal mode from low power consumption mode.
- Each unit starts transmissions with CAN communication by receiving sleep wake up signals. Each unit transmits wake up signals to BCM with CAN communication to convey the start of CAN communication.

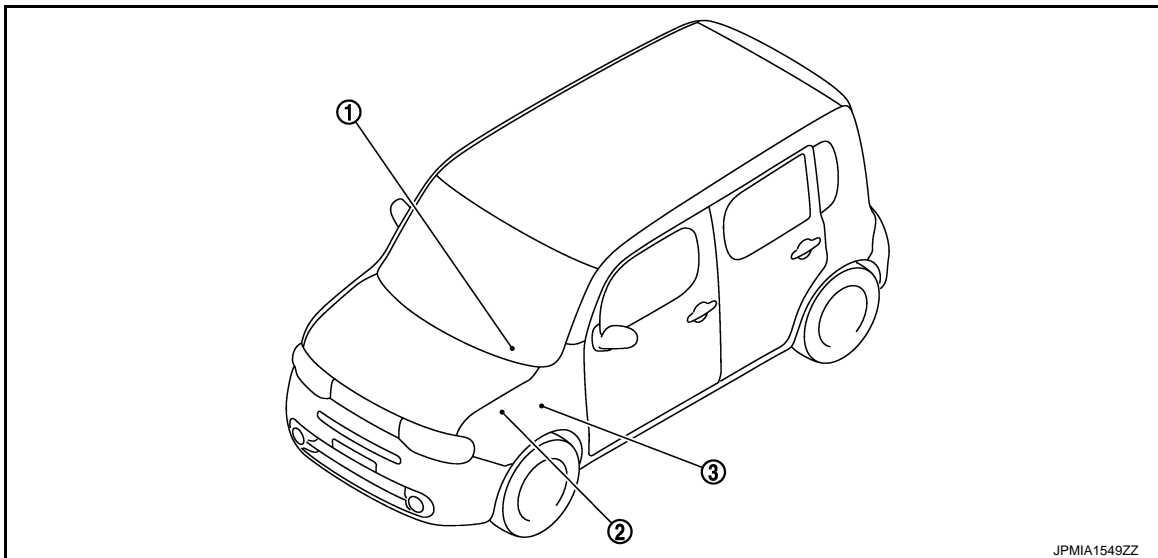
## Wake-up condition

### Wake-up condition

- Receiving the sleep-ready signal (Not-ready) from any units
- Hazard switch: ON
- HI BEAM switch: OFF → ON, ON → OFF
- PASSING switch: OFF → ON, ON → OFF
- HEADLAMP 1 switch: OFF → ON, ON → OFF
- HEADLAMP 2 switch: OFF → ON, ON → OFF
- TAIL LAMP switch: OFF → ON
- TURN RH: OFF → ON, ON → OFF
- TURN LH: OFF → ON, ON → OFF
- Driver door switch: OFF → ON, ON → OFF
- Passenger door switch: OFF → ON, ON → OFF
- Rear RH door switch: OFF → ON, ON → OFF
- Rear LH door switch: OFF → ON, ON → OFF
- Back door switch: OFF → ON, ON → OFF
- Stop lamp switch: ON
- Door lock and unlock switch:  
NEUTRAL → LOCK, NEUTRAL → UNLOCK
- Door key cylinder switch:  
NEUTRAL → LOCK, NEUTRAL → UNLOCK
- Remote keyless entry receiver communication: Receiving

## Component Parts Location

INFOID:000000008454156



JPMIA1549ZZ

1. Combination meter

2. IPDM E/R  
Refer to [PCS-35, "Component Parts Location"](#).

3. BCM  
Refer to [BCS-89, "Component Parts Location"](#).



# DIAGNOSIS SYSTEM (BCM)

[WITHOUT INTELLIGENT KEY SYSTEM]

< SYSTEM DESCRIPTION >

## DIAGNOSIS SYSTEM (BCM)

### COMMON ITEM

#### COMMON ITEM : CONSULT Function (BCM - COMMON ITEM)

INFOID:000000008454157

#### APPLICATION ITEM

CONSULT performs the following functions via CAN communication with BCM.

Diagnosis mode	Function Description
Work Support	Changes the setting for each system function.
Self Diagnostic Result	Displays the diagnosis results judged by BCM.
CAN Diag Support Monitor	Monitors the reception status of CAN communication viewed from BCM.
Data Monitor	The BCM input/output signals are displayed.
Active Test	The signals used to activate each device are forcibly supplied from BCM.
Ecu Identification	The BCM part number is displayed.
Configuration	<ul style="list-style-type: none"> <li>Read and save the vehicle specification.</li> <li>Write the vehicle specification when replacing BCM.</li> </ul>

#### SYSTEM APPLICATION

BCM can perform the following functions for each system.

#### NOTE:

It can perform the diagnosis modes except the following for all sub system selection items.

x: Applicable item

System	Sub system selection item	Diagnosis mode		
		Work Support	Data Monitor	Active Test
Door lock	DOOR LOCK	x	x	x
Rear window defogger	REAR DEFOGGER		x	x
Warning chime	BUZZER		x	x
Interior room lamp control	INT LAMP	x	x	x
Remote keyless entry system	MULTI REMOTE ENT	x	x	x
Exterior lamp	HEAD LAMP	x	x	x
Wiper and washer	WIPER	x	x	x
Turn signal and hazard warning lamps	FLASHER		x	x
Manual air conditioner	AIR CONDITONER		x	x
Combination switch	COMB SW		x	
Body control system	BCM	x		
NVIS - NATS	IMMU	x	x	x
Interior room lamp battery saver	BATTERY SAVER	x	x	x
Back door	TRUNK		x	
Vehicle security system	THEFT ALM	x	x	x
RAP system	RETAINED PWR		x	x
Signal buffer system	SIGNAL BUFFER		x	x
TPMS	TPMS (AIR PRESSURE MONITOR)	x	x	x
Panic alarm system	PANIC ALARM			x

## DOOR LOCK

#### DOOR LOCK : CONSULT Function (BCM - DOOR LOCK)

INFOID:000000008907575

#### BCM CONSULT FUNCTION

CONSULT performs the following functions via CAN communication with BCM.

# DIAGNOSIS SYSTEM (BCM)

[WITHOUT INTELLIGENT KEY SYSTEM]

## < SYSTEM DESCRIPTION >

Diagnosis mode	Function Description
WORK SUPPORT	Changes the setting for each system function
DATA MONITOR	The BCM input/output signals are displayed
ACTIVE TEST	The signals used to activate each device are forcibly supplied from BCM

## WORK SUPPORT

Monitor item	Description
DOOR LOCK-UNLOCK SET	Selective unlock function mode can be changed to operate with this mode <ul style="list-style-type: none"> <li>• On: Operate</li> <li>• Off: Non-operation</li> </ul>
AUTOMATIC DOOR LOCK SELECT	Automatic door lock function mode can be selected from the following in this mode <ul style="list-style-type: none"> <li>• VH SPD: All doors are locked when vehicle speed more than 24km/h (15MPH)</li> <li>• P RANGE: All doors are locked when shifting the selector lever from P position to other than the P position</li> </ul>
AUTOMATIC DOOR UNLOCK SELECT	Automatic door unlock function mode can be selected from the following in the mode <ul style="list-style-type: none"> <li>• MODE 1: All doors are unlocked when the power supply position is changed from ON to OFF</li> <li>• MODE 2: All doors are unlocked when shifting the selector lever from any position other than the P to P position</li> <li>• MODE 3: Driver side door is unlocked when the power supply position is changed from ON to OFF</li> <li>• MODE 4: Driver side door is unlocked when shifting the selector lever from any position other than the P to P position</li> <li>• MODE 5: Driver side door is unlocked when key out of key switch</li> <li>• MODE 6: All doors are unlocked when key out of key switch</li> </ul>
AUTOMATIC LOCK/UNLOCK SET	Automatic door lock/unlock function mode can be selected from the following in this mode <ul style="list-style-type: none"> <li>• Off: Non-operation</li> <li>• Unlock Only: door unlock operation only</li> <li>• Lock Only: door lock operation only</li> <li>• Lock/Unlock: lock/unlock operation</li> </ul>

## DATA MONITOR

### NOTE:

The following table includes information (items) inapplicable to this vehicle. For information (items) applicable to this vehicle, refer to CONSULT display items.

Monitor Item	Contents
IGN ON SW	Indicated [On/Off] condition of ignition switch in ON position
KEY ON SW	Indicated [On/Off] condition of key switch
DOOR SW-DR	Indicated [On/Off] condition of front door switch (driver side)
DOOR SW-AS	Indicated [On/Off] condition of front door switch (passenger side)
DOOR SW-RR	Indicated [On/Off] condition of rear door switch RH
DOOR SW-RL	Indicated [On/Off] condition of rear door switch LH
BACK DOOR SW	Indicated [On/Off] condition of back door switch
LOCK STATUS	Indicated [On/Off] condition of driver side door
ACC ON SW	Indicated [On/Off] condition of ignition switch in ACC position
KEYLESS LOCK	Indicated [On/Off] condition of lock signal from key fob
KEYLESS UNLOCK	Indicated [On/Off] condition of unlock signal from key fob
SHOCK SENSOR	<b>NOTE:</b> This item is displayed, but cannot be supported
CDL LOCK SW	Indicated [On/Off] condition of lock signal from door lock unlock switch
CDL UNLOCK SW	Indicated [On/Off] condition of unlock signal from door lock unlock switch
KEY CYL LK-SW	Indicated [On/Off] condition of lock signal from door key cylinder

# DIAGNOSIS SYSTEM (BCM)

[WITHOUT INTELLIGENT KEY SYSTEM]

## < SYSTEM DESCRIPTION >

Monitor Item	Contents
KEY CYL UN-SW	Indicated [On/Off] condition of unlock signal from door key cylinder
VEHICLE SPEED	Display the vehicle speed signal received from combination meter by numerical value [Km/h]

## ACTIVE TEST

Test item	Description
DOOR LOCK	<p>This test is able to check door lock/unlock operation</p> <ul style="list-style-type: none"><li>• The all door lock actuators are locked when "ALL LCK" on CONSULT screen is touched</li><li>• The all door lock actuators are unlocked when "ALL UNLK" on CONSULT screen is touched</li><li>• The door lock actuator (driver side) is unlocked when "DR UNLK" on CONSULT screen is touched</li><li>• The door lock actuator (other) is unlocked when "OTR ULK" on CONSULT screen is touched</li></ul>

## REAR WINDOW DEFOGGER

### REAR WINDOW DEFOGGER : CONSULT Function (BCM - REAR DEFOGGER)

INFOID:000000008907649

## DATA MONITOR

### NOTE:

The following table includes information (items) inapplicable to this vehicle. For information (items) applicable to this vehicle, refer to CONSULT display items.

Monitor Item	Description
IGN ON SW	Indicates [ON/OFF] condition of ignition switch in ON position.
ACC ON SW	Indicates [ON/OFF] condition of ignition switch in ACC position.
REAR DEF SW	Displays "Press (ON)/other (OFF)" status determined with the rear window defogger switch.

## ACTIVE TEST

Test Item	Description
REAR DEFOGGER	Rear window defogger operates when "ON" on CONSULT screen is touched.

## BUZZER

### BUZZER : CONSULT Function (BCM - BUZZER)

INFOID:000000008907820

## CONSULT APPLICATION ITEMS

Test item	Diagnosis mode	Description
BUZZER	Data Monitor	Displays BCM input data in real time.
	Active Test	Operation of electrical loads can be checked by sending driving signal to them.

## DATA MONITOR

### NOTE:

The following table includes information (items) inapplicable to this vehicle. For information (items) applicable to this vehicle, refer to CONSULT display items.

Display item [Unit]	Description
IGN ON SW [On/Off]	Status of ignition switch judged by BCM.
KEY ON SW [On/Off]	Status of key switch judged by BCM.
DOOR SW-DR [km/h]	Status of driver side door switch judged by BCM.

# DIAGNOSIS SYSTEM (BCM)

[WITHOUT INTELLIGENT KEY SYSTEM]

## < SYSTEM DESCRIPTION >

Display item [Unit]	Description
REVERSE SW CAN [On/Off]	This item is displayed, but cannot be monitored.
TAIL LAMP SW [On/Off]	Status of lighting switch judged by BCM using the combination switch readout function.
FR FOG SW [On/Off]	Status of front fog lamp switch judged by BCM using the combination switch readout function.
BUCKLE SW [On/Off]	Status of seatbelt buckle switch (driver side) received from combination meter with CAN communication line.
VEHICLE SPEED [km/h]	Value of vehicle speed signal received from combination meter with CAN communication line.

## ACTIVE TEST

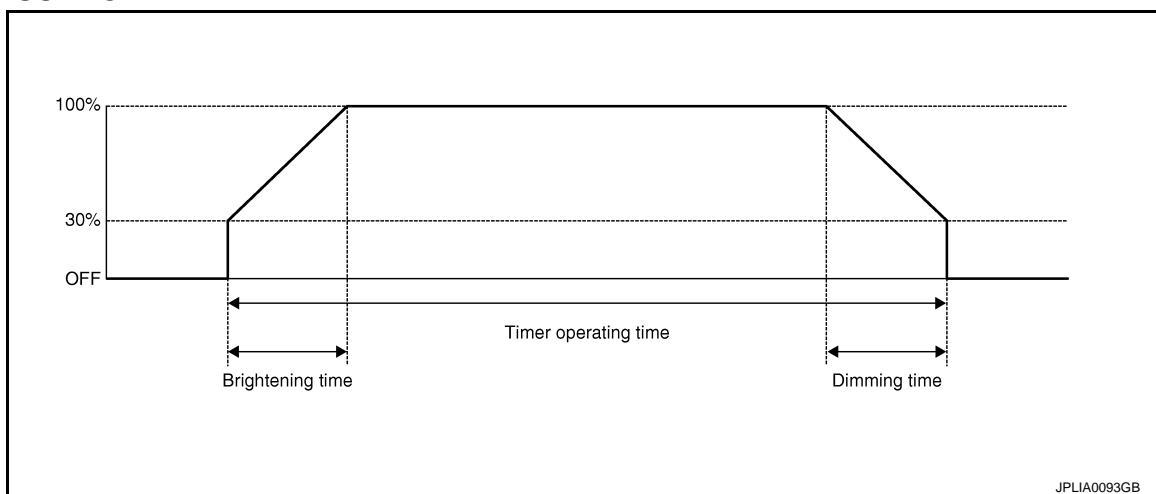
Display item [Unit]	Description
IGN KEY WARN ALM	The key warning chime operation can be checked by operating the relevant function (On/Off).
SEAT BELT WARN TEST	The seat belt warning chime operation can be checked by operating the relevant function (On/Off).
LIGHT WARN ALM	The light warning chime operation can be checked by operating the relevant function (On/Off).

## INT LAMP

### INT LAMP : CONSULT Function (BCM - INT LAMP)

INFOID:000000008907646

## WORK SUPPORT



Service item	Setting item	Setting
ROOM LAMP TIMER SET	MODE 1*	0 sec.
	MODE 2	7.5 sec.
	MODE 3	15 sec.
	MODE 4	30 sec.
Sets the interior room lamp ON time. (Timer operating time)		
SET I/L D-UNLCK INTCON	On*	With the interior room lamp timer function
	Off	Without the interior room lamp timer function

# DIAGNOSIS SYSTEM (BCM)

[WITHOUT INTELLIGENT KEY SYSTEM]

< SYSTEM DESCRIPTION >

Service item	Setting item	Setting	
ROOM LAMP ON TIME SET	MODE 1	0.5 sec.	Sets the interior room lamp gradual brightening time.
	MODE 2*	1 sec.	
	MODE 3	2 sec.	
	MODE 4	3 sec.	
	MODE 5	4 sec.	
	MODE 6	5 sec.	
	MODE 7	0 sec.	
ROOM LAMP OFF TIME SET	MODE 1	0.5 sec.	Sets the interior room lamp gradual dimming time.
	MODE 2*	1 sec.	
	MODE 3	2 sec.	
	MODE 4	3 sec.	
	MODE 5	4 sec.	
	MODE 6	5 sec.	
	MODE 7	0 sec.	
R LAMP TIMER LOGIC SET	MODE 1*	Interior room lamp timer activates with synchronizing all doors.	
	MODE 2	Interior room lamp timer activates with synchronizing the driver door only.	

\*: Factory setting

## DATA MONITOR

### NOTE:

The following table includes information (items) inapplicable to this vehicle. For information (items) applicable to this vehicle, refer to CONSULT display items.

Monitor item [Unit]	Description
IGN ON SW [On/Off]	Indicated [On/Off] condition of ignition switch in ON position
ACC ON SW [On/Off]	Indicated [On/Off] condition of ignition switch in ACC position
KEY ON SW [On/Off]	Indicated [On/Off] condition of key switch
DOOR SW-DR [On/Off]	Indicated [On/Off] condition of front door switch (driver side)
DOOR SW-AS [On/Off]	Indicated [On/Off] condition of front door switch (passenger side)
DOOR SW-RR [On/Off]	Indicated [On/Off] condition of rear door switch RH
DOOR SW- RL [On/Off]	Indicated [On/Off] condition of rear door switch LH
BACK DOOR SW [On/Off]	Indicated [On/Off] condition of back door switch
LOCK STATUS [On/Off]	Indicated [On/Off] condition of driver side door
CDL LOCK SW [On/Off]	Indicated [On/Off] condition of lock signal from door lock unlock switch
CDL UNLOCK SW [On/Off]	Indicated [On/Off] condition of unlock signal from door lock unlock switch
KEYLESS LOCK [On/Off]	Indicates [On/Off] condition of lock signal from keyfob

# DIAGNOSIS SYSTEM (BCM)

[WITHOUT INTELLIGENT KEY SYSTEM]

## < SYSTEM DESCRIPTION >

Monitor item [Unit]	Description
KEYLESS UNLOCK [On/Off]	Indicates [On/Off] condition of unlock signal from keyfob
KEY CYL LK-SW [On/Off]	Indicated [On/Off] condition of lock signal from door key cylinder
KEY CYL UN-SW [On/Off]	Indicated [On/Off] condition of unlock signal from door key cylinder
TRNK/HAT MNTR [On/Off]	<b>NOTE:</b> This item is displayed, but cannot be tested

## ACTIVE TEST

Test item	Operation	Description
INT LAMP	On	Outputs the interior room lamp control signal.
	Off	Stops the interior room lamp control signal.

## MULTI REMOTE ENT

### MULTI REMOTE ENT : CONSULT Function (BCM - MULTI REMOTE ENT)

INFOID:000000008907576

## BCM CONSULT FUNCTION

CONSULT performs the following functions via CAN communication with BCM.

Diagnosis mode	Function Description
WORK SUPPORT	Changes the setting for each system function
DATA MONITOR	The BCM input/output signals are displayed
ACTIVE TEST	The signals used to activate each device are forcibly supplied from BCM

## DATA MONITOR

### **NOTE:**

The following table includes information (items) inapplicable to this vehicle. For information (items) applicable to this vehicle, refer to CONSULT display items.

Monitor Item	Condition
IGN ON SW	Indicates [On/Off] condition of ignition switch in ON position
KEY ON SW	Indicates [On/Off] condition of key switch
ACC ON SW	Indicates [On/Off] condition of ignition switch in ACC position
KEYLESS LOCK	Indicates [On/Off] condition of lock signal from keyfob
KEYLESS UNLOCK	Indicates [On/Off] condition of unlock signal from keyfob
KYLS TRNK/HAT	<b>NOTE:</b> This item is displayed, but cannot be tested
DOOR SW-DR	Indicates [On/Off] condition of front door switch (driver side)
DOOR SW-AS	Indicates [On/Off] condition of front door switch (passenger side)
DOOR SW-RR	Indicates [On/Off] condition of rear door switch RH
DOOR SW-RL	Indicates [On/Off] condition of rear door switch LH
BACK DOOR SW	Indicates [On/Off] condition of back door switch
TRNK/HAT MNTR	<b>NOTE:</b> This item is displayed, but cannot be tested
CDL LOCK SW	Indicates [On/Off] condition of door lock and unlock switch
CDL UNLOCK SW	Indicates [On/Off] condition of door lock and unlock switch
KEYLESS PANIC	Indicates [On/Off] condition of PANIC button of keyfob

# DIAGNOSIS SYSTEM (BCM)

[WITHOUT INTELLIGENT KEY SYSTEM]

< SYSTEM DESCRIPTION >

## ACTIVE TEST

Test item	Description
INT LAMP	This test is able to check interior room lamp operation <ul style="list-style-type: none"><li>• On: Operate</li><li>• Off: Non-operation</li></ul>
FLASHER	This test is able to check flasher operation [LH/RH/Off]
HORN	This test is able to check horn operation <ul style="list-style-type: none"><li>• On: Operate</li></ul>

## WORK SUPPORT

Test item	Description
REMO CONT IN REGIST	Keyfob ID code can be registered
REMO CONT IN ERASUR	Keyfob ID code can be erased
REMO CONT IN CONFIR	It can be checked whether Intelligent Key ID code is registered or not in this mode
MULTI ANSWER BACK SET	<b>NOTE:</b> This item is displayed, but cannot be tested
HORN CHIRP SET	Hazard and horn reminder function (horn operation) mode can be changed in this mode <ul style="list-style-type: none"><li>• On: Operate</li><li>• Off: Non-operation</li></ul>
HAZARD LAMP SET	Hazard and horn reminder function (hazard operation) mode can be changed in this mode <ul style="list-style-type: none"><li>• MODE1: Non-operation</li><li>• MODE2: Unlock operation only</li><li>• MODE3: Lock operation only</li><li>• MODE4: Lock and unlock operation</li></ul>
AUTO LOCK SET	Auto door lock time can be changed in this mode <ul style="list-style-type: none"><li>• MODE 1: Non-operation</li><li>• MODE 2: 30 sec</li><li>• MODE 3: 1 minute</li><li>• MODE 4: 2 minute</li><li>• MODE 5: 3 minute</li><li>• MODE 6: 4 minute</li><li>• MODE 7: 5 minute</li></ul>
PANIC ALARM SET	Panic alarm button pressing time on keyfob remote control button can be selected from the following with this mode <ul style="list-style-type: none"><li>• MODE1: 0.5 sec</li><li>• MODE2: Non-operation</li><li>• MODE3: 1.5 sec</li></ul>
TRUNK OPEN SET	<b>NOTE:</b> This item is displayed, but cannot be tested

## HEADLAMP

### HEADLAMP : CONSULT Function (BCM - HEAD LAMP)

INFOID:000000008907643

## WORK SUPPORT

For USA

A  
B  
C  
D  
E  
F  
G  
H  
I  
J  
K  
L  
N  
O  
P

BCS

# DIAGNOSIS SYSTEM (BCM)

[WITHOUT INTELLIGENT KEY SYSTEM]

< SYSTEM DESCRIPTION >

Service item	Setting item	Setting
AUTO LIGHT LOGIC SET	MODE 1*	With twilight ON custom & with wiper INT, LO and HI
	MODE 2	With twilight ON custom & with wiper LO and HI
	MODE 3	With twilight ON custom & without
	MODE 4	Without twilight ON custom & with wiper INT, LO and HI
	MODE 5	Without twilight ON custom & with wiper LO and HI
	MODE 6	Without twilight ON custom & without
BATTERY SAVER SET	On*	With the exterior lamp battery saver function
	Off	Without the exterior lamp battery saver function
ILL DELAY SET	MODE 1*	45 sec.
	MODE 2	Without the function
	MODE 3	30 sec.
	MODE 4	60 sec.
	MODE 5	90 sec.
	MODE 6	120 sec.
	MODE 7	150 sec.
	MODE 8	180 sec.

Sets delay timer function timer operation time.  
(All doors closed)

\*: Factory setting

For CANADA

Service item	Setting item	Setting
AUTO LIGHT LOGIC SET	MODE 1	<b>NOTE:</b> The item is indicated, but not operated.
	MODE 2	
	MODE 3	
	MODE 4	
	MODE 5	
	MODE 6	
BATTERY SAVER SET	On*	With the exterior lamp battery saver function
	Off	Without the exterior lamp battery saver function
ILL DELAY SET	MODE 1*	45 sec.
	MODE 2	Without the function
	MODE 3	30 sec.
	MODE 4	60 sec.
	MODE 5	90 sec.
	MODE 6	120 sec.
	MODE 7	150 sec.
	MODE 8	180 sec.

Sets delay timer function timer operation time.  
(All doors closed)

\*: Factory setting

## DATA MONITOR

### NOTE:

The following table includes information (items) inapplicable to this vehicle. For information (items) applicable to this vehicle, refer to CONSULT display items.



# DIAGNOSIS SYSTEM (BCM)

[WITHOUT INTELLIGENT KEY SYSTEM]

< SYSTEM DESCRIPTION >

Monitor item [Unit]	Description	A
IGN ON SW [On/Off]	Indicated [On/Off] condition of ignition switch in ON position	A
ACC ON SW [On/Off]	Indicates [On/Off] condition of ignition switch in ACC position	B
HI BEAM SW [On/Off]	Each switch status that BCM judges from the combination switch reading function	C
HEAD LAMP SW 1 [On/Off]		D
HEAD LAMP SW 2 [On/Off]		E
TAIL LAMP SW [On/Off]		F
AUTO LIGHT SW [On/Off]		G
PASSING SW [On/Off]		H
FR FOG SW [On/Off]		I
RR FOG SW [On/Off]		J
DOOR SW-DR [On/Off]	Indicated [On/Off] condition of front door switch (driver side)	K
DOOR SW-AS [On/Off]	Indicated [On/Off] condition of front door switch (passenger side)	L
DOOR SW-RR [On/Off]	Indicated [On/Off] condition of rear door switch RH	M
DOOR SW- RL [On/Off]	Indicated [On/Off] condition of rear door switch LH	N
BACK DOOR SW [On/Off]	Indicated [On/Off] condition of back door switch	O
TURN SIGNAL R [On/Off]	Each switch status that BCM judges from the combination switch reading function	P
TURN SIGNAL L [On/Off]		Q
KEY ON SW [On/Off]	Indicated [On/Off] condition of key switch	R
KEYLESS LOCK [On/Off]	Indicated [On/Off] condition of lock signal from key fob	S
PKB SW [On/Off]	The parking brake switch status received from combination meter with CAN communication	T
ENGINE RUN [On/Off]	The engine status received from ECM with CAN communication	U
VEHICLE SPEED [km/h]	Display the vehicle speed signal received from combination meter by numerical value [Km/h]	V
OPTI SEN (DTCT) [V]	The value of outside brightness voltage input from the optical sensor	W
OPTI SEN (FILT) [V]	The value of outside brightness voltage filtered by BCM	X
LIG SEN COND [On/Off]	The sensor condition received from light sensor	Y

BCS

ACTIVE TEST

# DIAGNOSIS SYSTEM (BCM)

[WITHOUT INTELLIGENT KEY SYSTEM]

< SYSTEM DESCRIPTION >

Test item	Operation	Description
TAIL LAMP	On	Transmits the position light request signal to IPDM E/R with CAN communication to turn the tail lamp ON.
	Off	Stops the tail lamp request signal transmission.
HEAD LAMP	Hi	Transmits the high beam request signal with CAN communication to turn the headlamp (HI).
	Lo	Transmits the low beam request signal with CAN communication to turn the headlamp (LO).
	Off	Stops the high & low beam request signal transmission.
FR FOG LAMP	On	Transmits the front fog lights request signal to IPDM E/R with CAN communication to turn the front fog lamp ON.
	Off	Stops the front fog lights request signal transmission.
ILL DIM SIGNAL	On	<b>NOTE:</b> The item is indicated, but cannot be tested.
	Off	

## WIPER

### WIPER : CONSULT Function (BCM - WIPER)

INFOID:000000008907648

### WORK SUPPORT

Service item	Setting item	Description
WIPER SPEED SETTING	On	With vehicle speed (Front wiper intermittent time linked with the vehicle speed and wiper intermittent dial position)
	Off*	Without vehicle speed (Front wiper intermittent time linked with the wiper intermittent dial position)

\*:Factory setting

### DATA MONITOR

**NOTE:**

The following table includes information (items) inapplicable to this vehicle. For information (items) applicable to this vehicle, refer to CONSULT display items.

Monitor Item [Unit]	Description
IGN ON SW [On/Off]	Ignition switch ON status judged from ignition power supply.
IGN SW CAN [On/Off]	Ignition switch ON status received from IPDM E/R with CAN communication.
FR WIPER HI [On/Off]	Each switch status that BCM judges from the combination switch reading function.
FR WIPER LOW [On/Off]	
FR WIPER INT [On/Off]	
FR WASHER SW [On/Off]	
INT VOLUME [1 - 7]	Each switch status that BCM judges from the combination switch reading function.
FR WIPER STOP [On/Off]	Front wiper motor (stop position) status received from IPDM E/R with CAN communication.
VEHICLE SPEED [km/h]	The value of the vehicle speed signal received from combination meter with CAN communication.

# DIAGNOSIS SYSTEM (BCM)

[WITHOUT INTELLIGENT KEY SYSTEM]

## < SYSTEM DESCRIPTION >

Monitor Item [Unit]	Description
RR WIPER ON [On/Off]	Each switch status that BCM judges from the combination switch reading function.
RR WIPER INT [On/Off]	
RR WASHER SW [On/Off]	
REVERSE SW CAN [On/Off]	<b>NOTE:</b> The item is indicated, but not monitored.
RAIN SENSOR [On/Off]	

## ACTIVE TEST

Test item	Operation	Description
FR WIPER	Hi	Transmits the front wiper request signal (HI) to IPDM E/R with CAN communication to operate the front wiper HI operation.
	Lo	Transmits the front wiper request signal (LO) to IPDM E/R with CAN communication to operate the front wiper LO operation.
	INT	Transmits the front wiper request signal (INT) to IPDM E/R with CAN communication to operate the front wiper INT operation.
	Off	Stops transmitting the front wiper request signal to stop the front wiper operation.
RR WIPER	On	Outputs the voltage to operate the rear wiper motor.
	Off	Stops the voltage to stop.

## FLASHER

### FLASHER : CONSULT Function (BCM - FLASHER)

INFOID:000000008907644

## DATA MONITOR

### NOTE:

The following table includes information (items) inapplicable to this vehicle. For information (items) applicable to this vehicle, refer to CONSULT display items.

Monitor item [Unit]	Description
IGN ON SW [On/Off]	Indicated [On/Off] condition of ignition switch in ON position
HAZARD SW [On/Off]	The switch status input from the hazard switch
TURN SIGNAL R [On/Off]	Each switch status that BCM detects from the combination switch reading function
TURN SIGNAL L [On/Off]	

## ACTIVE TEST

Test item	Operation	Description
FLASHER	RH	Outputs the voltage to turn the right side turn signal lamps ON.
	LH	Outputs the voltage to turn the left side turn signal lamps ON.
	Off	Stops the voltage to turn the turn signal lamps OFF.

## AIR CONDITIONER

A  
B  
C  
D  
E  
F  
G  
H  
I  
J  
K  
L

BCS

# DIAGNOSIS SYSTEM (BCM)

[WITHOUT INTELLIGENT KEY SYSTEM]

< SYSTEM DESCRIPTION >

## AIR CONDITIONER : CONSULT Function (BCM - AIR CONDITIONER) (Manual A/C)

INFOID:000000008907542

### DATA MONITOR

#### NOTE:

The following table includes information (items) inapplicable to this vehicle. For information (items) applicable to this vehicle, refer to CONSULT display items.

Display Item List

Monitor Item [Unit]	Contents
IGN SW [On/Off]	Displays ignition switch position status as judged from ignition switch signal.
FAN ON SIG [On/Off]	Displays the blower fan status as judged from fan switch signal.
AIR COND SW [On/Off]	Displays [COMP (On)/COMP (Off)] status as judged from air conditioner switch signal.
THERMO AMP [On/Off]	Displays the thermo control amp. status as judged from thermo control amp. signal.
FR DEF SW [On/Off]	Displays the DEF status as judged from defroster position switch (mode switch) signal.

### ACTIVE TEST

Test item	Operation	Description
A/C INDICATOR	On	A/C indicator is turned ON.
	Off	A/C indicator is turned OFF.

### COMB SW

## COMB SW : CONSULT Function (BCM - COMB SW)

INFOID:000000008454167

### DATA MONITOR

#### NOTE:

The following table includes information (items) inapplicable to this vehicle. For information (items) applicable to this vehicle, refer to CONSULT display items.

Monitor item [UNIT]	Description
TURN SIGNAL R [Off/On]	Displays the status of TURN RH switch in combination switch judged by the combination switch reading function.
TURN SIGNAL L [Off/On]	Displays the status of the TURN LH switch in combination switch judged by the combination switch reading function.
HI BEAM SW [Off/On]	Displays the status of HI BEAM switch in combination switch judged by the combination switch reading function.
HEAD LAMP SW 1 [Off/On]	Displays the status of HEADLAMP 1 switch in combination switch judged by the combination switch reading function.
HEAD LAMP SW 2 [Off/On]	Displays the status of HEADLAMP 2 switch in combination switch judged by the combination switch reading function.
TAIL LAMP SW [Off/On]	Displays the status of TAIL LAMP switch in combination switch judged by the combination switch reading function.
PASSING SW [Off/On]	Displays the status of PASSING switch in combination switch judged by the combination switch reading function.
AUTO LIGHT SW [Off/On]	<b>NOTE:</b> The item is indicated, but not monitored.
FR FOG SW [Off/On]	<b>NOTE:</b> The item is indicated, but not monitored.
RR FOG SW [Off/On]	<b>NOTE:</b> The item is indicated, but not monitored.
FR WIPER HI [Off/On]	Displays the status of FR WIPER HI switch in combination switch judged by the combination switch reading function.

# DIAGNOSIS SYSTEM (BCM)

[WITHOUT INTELLIGENT KEY SYSTEM]

## < SYSTEM DESCRIPTION >

Monitor item [UNIT]	Description
FR WIPER LOW [Off/On]	Displays the status of FR WIPER LOW switch in combination switch judged by the combination switch reading function.
FR WIPER INT [Off/On]	Displays the status of FR WIPER INT switch in combination switch judged by the combination switch reading function.
FR WASHER SW [Off/On]	Displays the status of FR WASHER switch in combination switch judged by the combination switch reading function.
INT VOLUME [1 - 7]	Displays the status of wiper intermittent dial position judged by the combination switch reading function.
RR WIPER ON [Off/On]	Displays the status of RR WIPER switch in combination switch judged by the combination switch reading function.
RR WIPER INT [Off/On]	Displays the status of RR WIPER INT switch in combination switch judged by the combination switch reading function.
RR WASHER SW [Off/On]	Displays the status of RR WASHER switch in combination switch judged by the combination switch reading function.

## BCM

### BCM : CONSULT Function (BCM - BCM)

INFOID:000000008454168

#### WORK SUPPORT

Item	Description
RESET SETTING VALUE	Return a value set with WORK SUPPORT of each system to a default value in factory shipment.

## IMMU

### IMMU : CONSULT Function (BCM - IMMU)

INFOID:000000008907578

#### DATA MONITOR

##### NOTE:

The following table includes information (items) inapplicable to this vehicle. For information (items) applicable to this vehicle, refer to CONSULT display items.

Monitor item	Content
IGN ON SW	Indicates [ON/OFF] condition of ignition switch in ON position.
KEY ON SW	Indicates [ON/OFF] condition of key switch.

#### ACTIVE TEST

Test item	Description
THEFT IND	This test is able to check security indicator lamp operation [ON/OFF].

## BATTERY SAVER

### BATTERY SAVER : CONSULT Function (BCM - BATTERY SAVER)

INFOID:000000008907647

#### WORK SUPPORT

Service item	Setting item	Setting
ROOM LAMP TIMER SET	MODE 1	30 min.
	MODE 2	60 min.
	MODE 3*	15 min.

Sets the interior room lamp battery saver timer operating time.

\*:Factory setting

#### DATA MONITOR

A  
B  
C  
D  
E  
F  
G  
H  
I  
J  
K  
L  
N  
O  
P

BCS

# DIAGNOSIS SYSTEM (BCM)

[WITHOUT INTELLIGENT KEY SYSTEM]

## < SYSTEM DESCRIPTION >

### NOTE:

The following table includes information (items) inapplicable to this vehicle. For information (items) applicable to this vehicle, refer to CONSULT display items.

Monitor item [Unit]	Description
IGN ON SW [On/Off]	Indicated [On/Off] condition of ignition switch in ON position
ACC ON SW [On/Off]	Indicated [On/Off] condition of ignition switch in ACC position
KEY ON SW [On/Off]	Indicated [On/Off] condition of key switch
DOOR SW-DR [On/Off]	Indicated [On/Off] condition of front door switch (driver side)
DOOR SW-AS [On/Off]	Indicated [On/Off] condition of front door switch (passenger side)
DOOR SW-RR [On/Off]	Indicated [On/Off] condition of rear door switch RH
DOOR SW- RL [On/Off]	Indicated [On/Off] condition of rear door switch LH
BACK DOOR SW [On/Off]	Indicated [On/Off] condition of back door switch
LOCK STATUS [On/Off]	Indicated [On/Off] condition of driver side door
CDL LOCK SW [On/Off]	Indicated [On/Off] condition of lock signal from door lock unlock switch
CDL UNLOCK SW [On/Off]	Indicated [On/Off] condition of unlock signal from door lock unlock switch
KEYLESS LOCK [On/Off]	Indicates [On/Off] condition of lock signal from keyfob
KEYLESS UNLOCK [On/Off]	Indicates [On/Off] condition of unlock signal from keyfob
KEY CYL LK-SW [On/Off]	Indicated [On/Off] condition of lock signal from door key cylinder
KEY CYL UN-SW [On/Off]	Indicated [On/Off] condition of unlock signal from door key cylinder
TRNK/HAT MNTR [On/Off]	<b>NOTE:</b> This item is displayed, but cannot be tested

## ACTIVE TEST

Test item	Operation	Description
BATTERY SAVER	Off	Cuts the interior room lamp power supply.
	On	Outputs the interior room lamp power supply.

## TRUNK

### TRUNK : CONSULT Function (BCM - TRUNK)

INFOID:000000008907577

#### BCM CONSULT FUNCTION

CONSULT performs the following functions via CAN communication with BCM.

Diagnosis mode	Function Description
DATA MONITOR	The BCM input/output signals are displayed.

## DATA MONITOR

# DIAGNOSIS SYSTEM (BCM)

[WITHOUT INTELLIGENT KEY SYSTEM]

< SYSTEM DESCRIPTION >

**NOTE:**

The following table includes information (items) inapplicable to this vehicle. For information (items) applicable to this vehicle, refer to CONSULT display items.

Monitor Item	Contents
KEY ON SW	Indicates [On/Off] condition of key switch.
LOCK STATUS	<b>NOTE:</b> This item is displayed, but cannot be monitored.
VEHICLE SPEED	Indicates [Km/h] condition of vehicle speed signal from combination meter.
IGN ON SW	Indicates [On/Off] condition of ignition switch.
TRNK OPNR SW	<b>NOTE:</b> This item is displayed, but cannot be monitored.
KYLS TRNK/HAT	<b>NOTE:</b> This item is displayed, but cannot be monitored.

## THEFT ALM

### THEFT ALM : CONSULT Function (BCM - THEFT ALM)

INFOID:000000008907579

**DATA MONITOR**

**NOTE:**

The following table includes information (items) inapplicable to this vehicle. For information (items) applicable to this vehicle, refer to CONSULT display items.

Monitor Item	Condition
IGN ON SW	Indicates [ON/OFF] condition of ignition switch in ON position.
ACC ON SW	Indicates [ON/OFF] condition of ignition switch in ACC position.
KEY ON SW	Indicates [ON/OFF] condition of key switch.
KEYLESS LOCK	Indicates [ON/OFF] condition of lock signal from keyfob.
KEYLESS UNLOCK	Indicates [ON/OFF] condition of unlock signal from keyfob.
TRUNK OPNR SW	<b>NOTE:</b> The item is indicated, but not monitored.
TRNK OPNR MNTR	<b>NOTE:</b> The item is indicated, but not monitored.
HOOD SW	<b>NOTE:</b> The item is indicated, but not monitored.
DOOR SW-DR	Indicates [ON/OFF] condition of front door switch (driver side).
DOOR SW-AS	Indicates [ON/OFF] condition of front door switch (passenger side).
DOOR SW-RR	Indicates [ON/OFF] condition of rear door switch RH.
DOOR SW-RL	Indicates [ON/OFF] condition of rear door switch LH.
BACK DOOR SW	Indicates [ON/OFF] condition of back door switch.
KEY CYL LK-SW	Indicates [ON/OFF] condition of door key cylinder switch.
KEY CYL UN-SW	Indicates [ON/OFF] condition of door key cylinder switch.
CDL LOCK SW	Indicates [ON/OFF] condition of door lock and unlock switch.
CDL UNLOCK SW	Indicates [ON/OFF] condition of door lock and unlock switch.
TRANSPONDER	Indicates key ID verification results by [ON/OFF].
INTELLI KEY	<b>NOTE:</b> The item is indicated, but not monitored.
LOCK STATUS	<b>NOTE:</b> The item is indicated, but not monitored.
AUTO RELOCK	<b>NOTE:</b> The item is indicated, but not monitored.

# DIAGNOSIS SYSTEM (BCM)

[WITHOUT INTELLIGENT KEY SYSTEM]

< SYSTEM DESCRIPTION >

## WORK SUPPORT

Test Item	Description
SECURITY ALARM SET	This mode is able to confirm and change security alarm ON-OFF setting.
THEFT ALM TRG	The switch which triggered vehicle security alarm is recorded. This mode is able to confirm and erase the record of vehicle security alarm. The trigger data can be erased by touching "CLEAR" on CONSULT screen.

## ACTIVE TEST

Test Item	Description
THEFT IND	This test is able to check security indicator lamp operation. Security indicator lamp will be turned on when "ON" on CONSULT screen is touched.
VEHICLE SECURITY HORN	This test is able to check horn operation. Horn will be activated for 0.5 seconds after "ON" on CONSULT screen is touched.
HEADLAMP (HI)	This test is able to check headlamp (HI) operation. Headlamps (HI) will be activated for 0.5 seconds after "ON" on CONSULT screen is touched.
FLASHER	This test is able to check hazard warning lamp operation. Hazard warning lamps will be activated after "LH" or "RH" on CONSULT screen is touched.

## RETAINED PWR

### RETAINED PWR : CONSULT Function (BCM - RETAINED PWR)

INFOID:000000008907642

## DATA MONITOR

### NOTE:

The following table includes information (items) inapplicable to this vehicle. For information (items) applicable to this vehicle, refer to CONSULT display items.

Monitor Item	Description
DOOR SW-DR	Indicates [ON/OFF] condition of driver side door switch.
DOOR SW-AS	Indicates [ON/OFF] condition of passenger side door switch.

## SIGNAL BUFFER

### SIGNAL BUFFER : CONSULT Function (BCM - SIGNAL BUFFER)

INFOID:000000008454174

## DATA MONITOR

### NOTE:

The following table includes information (items) inapplicable to this vehicle. For information (items) applicable to this vehicle, refer to CONSULT display items.

Monitor item [UNIT]	Description
OIL PRESS SW [Off/On]	Displays the status of oil pressure switch received from IPDM E/R with CAN communication.
BRAKE SW [Off/On]	Displays the switch status input from stop lamp switch.

## ACTIVE TEST

Test item	Operation	Description
OIL PRESSURE SW	On	Transmits the oil pressure switch signal with CAN communication to illuminate the oil pressure warning lamp in the combination meter.
	Off	Stops the oil pressure switch signal transmission.

## AIR PRESSURE MONITOR



# DIAGNOSIS SYSTEM (BCM)

[WITHOUT INTELLIGENT KEY SYSTEM]

< SYSTEM DESCRIPTION >

## AIR PRESSURE MONITOR : CONSULT Function

INFOID:000000008907532

### FUNCTION

The diagnosis functions (main functions) include the following: "WORK SUPPORT", "SELF DIAGNOSTIC RESULT", "DATA MONITOR" and "ACTIVE TEST".

Diagnostic test mode	Function
Work support	In this mode, it is possible to make quick and accurate adjustments by following the instructions on the CONSULT display.
Self diagnostic result	Receives self-diagnosis results from the BCM, and indicates DTCs and the number of malfunctions.
Data monitor	Receives input/output signals from the BCM and indicates and stores them to facilitate locating the causes of malfunctions.
Active test	Transmits command to the BCM to change output signals and check operation of output system.

### WORK SUPPORT MODE

Refer to [WT-21, "Work Procedure"](#).

### SELF-DIAG RESULTS MODE

Refer to [BCS-139, "DTC Index"](#).

### DATA MONITOR MODE

Screen of data monitor mode is displayed.

#### NOTE:

- When malfunction is detected, CONSULT perform REAL-TIME DIAGNOSIS. Also, any malfunction detected while in this mode will be displayed at real time.
- The following table includes information(items)inapplicable to this vehicle. For information(items)applicable to this vehicle, refer to CONSULT display items.

Monitor item (Unit)	Remark
AIR PRESS FL (kPa), (kg/cm <sup>2</sup> ), (Psi)	Air pressure of tires
AIR PRESS FR (kPa), (kg/cm <sup>2</sup> ), (Psi)	
AIR PRESS RR (kPa), (kg/cm <sup>2</sup> ), (Psi)	
AIR PRESS RL (kPa), (kg/cm <sup>2</sup> ), (Psi)	
ID REGST FL1	ID is registered: Done ID is not registered: Yet
ID REGST FR1	
ID REGST RR1	
ID REGST RL1	
WARNING LAMP	Low tire pressure warning lamp ON: On Low tire pressure warning lamp OFF: Off
BUZZER	Combination meter buzzer ON: On Combination meter buzzer OFF: Off

#### NOTE:

Before performing the self-diagnosis, be sure to register the ID, or erase the actual malfunction location may be different from that displayed on CONSULT.

### ACTIVE TEST MODE

#### NOTE:

Before performing the self-diagnosis, be sure to register the ID, or erase the actual malfunction may be different from that displayed on CONSULT.

### TEST ITEM LIST

# DIAGNOSIS SYSTEM (BCM)

[WITHOUT INTELLIGENT KEY SYSTEM]

< SYSTEM DESCRIPTION >

Test item	Content
WARNING LAMP	This test is able to check to check that the low tire pressure warning lamp turns on.
ID REGIST WARNING	This test is able to check to check that the buzzer sounds or the low tire pressure warning lamp turns on.
RUN FLAT TIRE W/L	<b>NOTE:</b> This item is displayed, but cannot be use this item.
FLASHER	This test is able to check to check that each turn signal lamp turns on.
HORN	This test is able to check to check that the horn sounds.

## PANIC ALARM

### PANIC ALARM : CONSULT Function (BCM - PANIC ALARM)

INFOID:000000008907580

#### ACTIVE TEST

Test item	Description
VEHICLE SECURITY HORN	This test is able to check horn operation. Horn is activated for 0.5 seconds after "ON" on CONSULT screen touched.
HEAD LAMP (HI)	This test is able to check headlamp (HI) operation. Headlamps (HI) will be activated after "ON" on CONSULT screen touched.

# DTC/CIRCUIT DIAGNOSIS

## U1000 CAN COMM

### Description

INFOID:000000008454177

CAN (Controller Area Network) is a serial communication line for real time applications. It is an on-vehicle multiplex communication line with high data communication speed and excellent error detection ability. Modern vehicle is equipped with many electronic control unit, and each control unit shares information and links with other control units during operation (not independent). In CAN communication, control units are connected with 2 communication lines (CAN-H line, CAN-L line) allowing a high rate of information transmission with less wiring. Each control unit transmits/receives data but selectively reads required data only.  
 CAN Communication Signal Chart. Refer to [LAN-22, "CAN Communication Signal Chart"](#).

### DTC Logic

INFOID:000000008454178

### DTC DETECTION LOGIC

DTC	DTC Detection Condition	Possible cause
U1000: CAN COMM	When BCM cannot communicate CAN communication signal continuously for 2 seconds or more.	CAN communication system

### Diagnosis Procedure

INFOID:000000008454179

#### 1. PERFORM SELF DIAGNOSTIC

- Turn ignition switch ON and wait for 2 seconds or more.
- Check "Self Diagnostic Result" of BCM.

Is "CAN COMM CIRCUIT" displayed?

- YES >> Refer to [LAN-13, "Trouble Diagnosis Flow Chart"](#).
- NO >> Refer to [GI-41, "Intermittent Incident"](#).

A  
B  
C  
D  
E  
F  
G  
H  
I  
J  
K  
L

BCS

N  
O  
P

# U1010 CONTROL UNIT (CAN)

< DTC/CIRCUIT DIAGNOSIS >

[WITHOUT INTELLIGENT KEY SYSTEM]

## U1010 CONTROL UNIT (CAN)

### DTC Logic

INFOID:000000008454180

### DTC DETECTION LOGIC

DTC	CONSULT display de- scription	DTC Detection Condition	Possible cause
U1010	CONTROL UNIT (CAN)	BCM detected internal CAN communication circuit malfunction.	BCM

### Diagnosis Procedure

INFOID:000000008454181

#### 1. REPLACE BCM

When DTC "U1010" is detected, replace BCM.

>> Replace BCM. Refer to [BCS-144. "Removal and Installation"](#).

# C1735 IGN CIRCUIT OPEN

< DTC/CIRCUIT DIAGNOSIS >

[WITHOUT INTELLIGENT KEY SYSTEM]

## C1735 IGN CIRCUIT OPEN

### DTC Logic

INFOID:000000008454182

### DTC DETECTION LOGIC

DTC	CONSULT display description	DTC Detection Condition	Possible cause
C1735	IGN CIRCUIT OPEN	Detected following signals are different for 2 seconds; <ul style="list-style-type: none"> <li>Ignition switch ON signal inputted from ignition switch</li> <li>Ignition relay status signal received from IPDM E/R with CAN communication</li> </ul>	<ul style="list-style-type: none"> <li>Harness or connector (Ignition power supply circuit)</li> <li>BCM</li> <li>IPDM E/R</li> </ul>

#### NOTE:

BCM may detect that ignition switch is OFF when IGN power supply voltage is low.

### DTC CONFIRMATION PROCEDURE

#### 1. DTC CONFIRMATION

- Erase DTC.
- Turn the ignition switch OFF.
- Perform the "Self Diagnostic Result" of CONSULT, when passed 2 seconds or more after the ignition switch is turned ON.

Is any DTC detected?

- YES >> Refer to [BCS-117, "Diagnosis Procedure"](#).  
 NO >> INSPECTION END

### Diagnosis Procedure

INFOID:000000008454183

#### 1. CHECK BCM IGNITION POWER SUPPLY CIRCUIT

Check BCM ignition power supply circuit. Refer to [BCS-118, "Diagnosis Procedure"](#).

Is the circuit normal?

- YES >> GO TO 2.  
 NO >> Repair the malfunctioning part.

#### 2. CHECK IPDM E/R POWER SUPPLY CIRCUIT

Check IPDM E/R power supply circuit. Refer to [PCS-48, "Diagnosis Procedure"](#).

Is the circuit normal?

- YES >> GO TO 3.  
 NO >> Repair the malfunctioning part.

#### 3. CHECK IPDM E/R IGNITION RELAY STATUS

##### CONSULT DATA MONITOR

- Select "IGN RLY" of IPDM E/R data monitor item.
- With operating the ignition switch, check the monitor status.

Monitor item	Condition	Monitor status
IGN RLY	Ignition switch OFF	Off
	ON	On

Is the item status normal?

- YES >> Replace BCM. Refer to [BCS-144, "Removal and Installation"](#).  
 NO >> Replace IPDM E/R. Refer to [PCS-62, "Removal and Installation"](#).

# POWER SUPPLY AND GROUND CIRCUIT

< DTC/CIRCUIT DIAGNOSIS >

[WITHOUT INTELLIGENT KEY SYSTEM]

## POWER SUPPLY AND GROUND CIRCUIT

### Diagnosis Procedure

INFOID:000000008454184

#### 1. CHECK FUSES AND FUSIBLE LINK

Check that the following fuses and fusible link are not fusing.

Signal name	Fuses and fusible link No.
Battery power supply	8
	G
ACC power supply	20
Ignition power supply	2

#### Is the fuse fusing?

YES >> Replace the blown fuse or fusible link after repairing the affected circuit if a fuse or fusible link is blown.

NO >> GO TO 2.

#### 2. CHECK POWER SUPPLY CIRCUIT

1. Turn ignition switch OFF.
2. Disconnect BCM connectors.
3. Check voltage between BCM harness connector and ground.

Terminals		(-)	Ignition switch position		
(+) BCM			OFF	ACC	ON
Connector	Terminal				
M67	70	Ground	Battery voltage	Battery voltage	Battery voltage
	57				
M65	11		Approx. 0 V	Battery voltage	Battery voltage
	38		Approx. 0 V	Approx. 0 V	Battery voltage

#### Is the measurement value normal?

YES >> GO TO 3.

NO >> Repair harness or connector.

#### 3. CHECK GROUND CIRCUIT

Check continuity between BCM harness connector and ground.

BCM		Ground	Continuity
Connector	Terminal		
M67	67		Existed

#### Does continuity exist?

YES >> INSPECTION END

NO >> Repair harness or connector.

# COMBINATION SWITCH OUTPUT CIRCUIT

< DTC/CIRCUIT DIAGNOSIS >

[WITHOUT INTELLIGENT KEY SYSTEM]

## COMBINATION SWITCH OUTPUT CIRCUIT

### Diagnosis Procedure

INFOID:000000008454185

#### 1. CHECK OUTPUT 1 - 5 CIRCUIT FOR OPEN

1. Turn ignition switch OFF.
2. Disconnect BCM and combination switch connectors.
3. Check continuity between BCM harness connector and combination switch harness connector.

System	BCM		Combination switch		Continuity
	Connector	Terminal	Connector	Terminal	
OUTPUT 1	M65	36	M27	11	Existed
OUTPUT 2		35		9	
OUTPUT 3		34		7	
OUTPUT 4		33		10	
OUTPUT 5		32		13	

Does continuity exist?

YES >> GO TO 2.

NO >> Repair harnesses or connectors.

#### 2. CHECK OUTPUT 1 - 5 CIRCUIT FOR SHORT

Check for continuity between BCM harness connector and ground.

System	BCM		Continuity
	Connector	Terminal	
OUTPUT 1	M65	36	Ground
OUTPUT 2		35	
OUTPUT 3		34	
OUTPUT 4		33	
OUTPUT 5		32	

Does continuity exist?

YES >> Repair harnesses or connectors.

NO >> GO TO 3.

#### 3. CHECK BCM OUTPUT VOLTAGE

1. Connect BCM connector.
2. Check voltage between BCM harness connector and ground.

System	Terminals		Voltage (Approx.)	
	(+)			(-)
	Connector	Terminal		
OUTPUT 1	M65	36	Ground	
OUTPUT 2		35		
OUTPUT 3		34		
OUTPUT 4		33		
OUTPUT 5		32		

7.0 - 8.0 V

PKIB4960J

Is the measurement value normal?

A  
B  
C  
D  
E  
F  
G  
H  
I  
J  
K  
L  
BCS

## COMBINATION SWITCH OUTPUT CIRCUIT

< DTC/CIRCUIT DIAGNOSIS >

[WITHOUT INTELLIGENT KEY SYSTEM]

---

- YES >> Replace combination switch.
- NO >> Replace BCM. Refer to [BCS-144, "Removal and Installation"](#).



# COMBINATION SWITCH INPUT CIRCUIT

< DTC/CIRCUIT DIAGNOSIS >

[WITHOUT INTELLIGENT KEY SYSTEM]

## COMBINATION SWITCH INPUT CIRCUIT

### Diagnosis Procedure

INFOID:000000008454186

#### 1. CHECK INPUT 1 - 5 CIRCUIT FOR OPEN

1. Turn ignition switch OFF.
2. Disconnect BCM and combination switch connectors.
3. Check continuity between BCM harness connector and combination switch harness connector.

System	BCM		Combination switch		Continuity
	Connector	Terminal	Connector	Terminal	
INPUT 1	M65	6	M27	12	Existed
INPUT 2		5		14	
INPUT 3		4		5	
INPUT 4		3		2	
INPUT 5		2		8	

Does continuity exist?

YES >> GO TO 2.

NO >> Repair harnesses or connectors.

#### 2. CHECK INPUT 1 - 5 CIRCUIT FOR SHORT

Check for continuity between BCM harness connector and ground.

System	BCM		Continuity
	Connector	Terminal	
INPUT 1	M65	6	Ground Not existed
INPUT 2		5	
INPUT 3		4	
INPUT 4		3	
INPUT 5		2	

Does continuity exist?

YES >> Repair harnesses or connectors.

NO >> GO TO 3.

#### 3. CHECK BCM INPUT SIGNAL

1. Connect BCM and combination switch connectors.
2. Turn ON any switch in the system that is malfunction.
3. Check voltage between BCM harness connector and ground.

System	Terminals		Voltage (Approx.)
	(+)	(-)	
	BCM		
	Connector	Terminal	
INPUT 1	M65	6	Ground Refer to <a href="#">BCS-123</a> . "Reference Value".
INPUT 2		5	
INPUT 3		4	
INPUT 4		3	
INPUT 5		2	

Is the measurement value normal?

Yes >> Replace BCM. Refer to [BCS-144](#). "Removal and Installation".

A

B

C

D

E

F

G

H

I

J

K

L

BCS

N

O

P

## COMBINATION SWITCH INPUT CIRCUIT

< DTC/CIRCUIT DIAGNOSIS >

[WITHOUT INTELLIGENT KEY SYSTEM]

---

No >> Replace combination switch.

# BCM (BODY CONTROL MODULE)

< ECU DIAGNOSIS INFORMATION >

[WITHOUT INTELLIGENT KEY SYSTEM]

## ECU DIAGNOSIS INFORMATION

### BCM (BODY CONTROL MODULE)

#### Reference Value

INFOID:000000008454187

#### VALUES ON THE DIAGNOSIS TOOL

##### NOTE:

The following table includes information (items) inapplicable to this vehicle. For information (items) applicable to this vehicle, refer to CONSULT display items.

Monitor Item	Condition	Value/Status
IGN ON SW	Ignition switch OFF or ACC	Off
	Ignition switch ON	On
KEY ON SW	Mechanical key is removed from key cylinder	Off
	Mechanical key is inserted to key cylinder	On
CDL LOCK SW	Door lock/unlock switch does not operate	Off
	Press door lock/unlock switch to the lock side	On
CDL UNLOCK SW	Door lock/unlock switch does not operate	Off
	Press door lock/unlock switch to the unlock side	On
DOOR SW-DR	Driver's door closed	Off
	Driver's door opened	On
DOOR SW-AS	Passenger door closed	Off
	Passenger door opened	On
DOOR SW-RR	Rear RH door closed	Off
	Rear RH door opened	On
DOOR SW-RL	Rear LH door closed	Off
	Rear LH door opened	On
BACK DOOR SW	Back door closed	Off
	Back door opened	On
LOCK STATUS	<b>NOTE:</b> The item is indicated, but not monitored.	Off
ACC ON SW	Ignition switch OFF	Off
	Ignition switch ACC or ON	On
KEYLESS LOCK	"LOCK" button of key fob is not pressed	Off
	"LOCK" button of key fob is pressed	On
KEYLESS UNLOCK	"UNLOCK" button of key fob is not pressed	Off
	"UNLOCK" button of key fob is pressed	On
SHOCK SENSOR	<b>NOTE:</b> The item is indicated, but not monitored.	NORMAL
KEY CYL LK-SW	Other than driver door key cylinder LOCK position	Off
	Driver door key cylinder LOCK position	On
KEY CYL UN-SW	Other than driver door key cylinder UNLOCK position	Off
	Driver door key cylinder UNLOCK position	On
VEHICLE SPEED	While driving	Equivalent to speedometer reading
REAR DEF SW	Rear window defogger switch OFF	Off
	Rear window defogger switch ON	On

# BCM (BODY CONTROL MODULE)

< ECU DIAGNOSIS INFORMATION >

[WITHOUT INTELLIGENT KEY SYSTEM]

Monitor Item	Condition	Value/Status
REVERSE SW CAN	<b>NOTE:</b> The item is indicated, but not used.	Off
		On
TAIL LAMP SW	Lighting switch OFF	Off
	Lighting switch 1ST	On
FR FOG SW	<b>NOTE:</b> The item is indicated, but not monitored.	Off
BUCKLE SW	The seat belt (driver side) is fastened. [Seat belt switch (driver side) OFF]	Off
	The seat belt (driver side) is unfastened. [Seat belt switch (driver side) ON]	On
TRNK/HAT MNTR	<b>NOTE:</b> The item is indicated, but not monitored.	Off
ACC SW	Ignition switch OFF	Off
	Ignition switch ACC or ON	On
KYLS TRNK/HAT	<b>NOTE:</b> The item is indicated, but not monitored.	Off
KEYLESS PANIC	PANIC button of key fob is not pressed	Off
	PANIC button of key fob is pressed	On
HI BEAM SW	Lighting switch OFF	Off
	Lighting switch HI	On
HEAD LAMP SW 1	Lighting switch OFF	Off
	Lighting switch 2ND	On
HEAD LAMP SW 2	Lighting switch OFF	Off
	Lighting switch 2ND	On
AUTO LIGHT SW	<b>NOTE:</b> The item is indicated, but not monitored.	Off
PASSING SW	Other than lighting switch PASS	Off
	Lighting switch PASS	On
RR FOG SW	<b>NOTE:</b> The item is indicated, but not monitored.	Off
TURN SIGNAL R	Turn signal switch OFF	Off
	Turn signal switch RH	On
TURN SIGNAL L	Turn signal switch OFF	Off
	Turn signal switch LH	On
PKB SW	Parking brake switch is OFF	Off
	Parking brake switch is ON	On
ENGINE RUN	Engine stopped	Off
	Engine running	On
OPTI SEN (DTCT)	<b>NOTE:</b> The item is indicated, but not monitored.	Close to 5 V
OPTI SEN (FILT)	<b>NOTE:</b> The item is indicated, but not monitored.	Close to 5 V
LIG SEN COND	<b>NOTE:</b> The item is indicated, but not monitored.	OFF
IGN SW CAN	Ignition switch OFF or ACC	Off
	Ignition switch ON	On
FR WIPER HI	Front wiper switch OFF	Off
	Front wiper switch HI	On

## BCM (BODY CONTROL MODULE)

< ECU DIAGNOSIS INFORMATION >

[WITHOUT INTELLIGENT KEY SYSTEM]

Monitor Item	Condition	Value/Status	
FR WIPER LOW	Front wiper switch OFF	Off	A
	Front wiper switch LO	On	
FR WIPER INT	Front wiper switch OFF	Off	B
	Front wiper switch INT	On	
FR WASHER SW	Front washer switch OFF	Off	C
	Front washer switch ON	On	
INT VOLUME	Wiper intermittent dial is in a dial position 1 - 7	1 - 7	
FR WIPER STOP	Any position other than front wiper stop position	Off	D
	Front wiper stop position	On	
RR WIPER ON	Rear wiper switch OFF	Off	E
	Rear wiper switch ON	On	
RR WIPER INT	Rear wiper switch OFF	Off	F
	Rear wiper switch INT	On	
RR WASHER SW	Rear washer switch OFF	Off	G
	Rear washer switch ON	On	
RR WIPER STOP	Rear wiper stop position	Off	
	Other than rear wiper stop position	On	
RAIN SENSOR	<b>NOTE:</b> The item is indicated, but not monitored.	Off	H
HAZARD SW	Hazard switch OFF	Off	I
	Hazard switch ON	On	
FAN ON SIG	Blower control dial OFF	Off	J
	Other than blower control dial OFF	On	
AIR COND SW	A/C switch OFF	Off	K
	A/C switch ON	On	
THERMO AMP	Ignition switch ON	Off	
	Evaporator is extremely low temperature	On	
FR DEF SW	Other than A/C mode defroster ON position	Off	L
	A/C mode defroster ON position	On	
KEYLESS TRUNK	<b>NOTE:</b> The item is indicated, but not monitored.	Off	
TRNK OPNR SW	<b>NOTE:</b> The item is indicated, but not monitored.	Off	BCS
TRNK OPN MNTR	<b>NOTE:</b> The item is indicated, but not monitored.	Off	
HOOD SW	Close the hood	Off	N
	Open the hood	On	
TRANSPONDER	Other than the ignition switch is ON by key registered to BCM.	Off	O
	The ignition switch is ON by key registered to BCM.	On	
INTELLI KEY	<b>NOTE:</b> The item is indicated, but not used.	Off	P
AUTO RELOCK	<b>NOTE:</b> The item is indicated, but not monitored.	Off	
OIL PRESS SW	<ul style="list-style-type: none"> <li>• Ignition switch OFF or ACC</li> <li>• Engine running</li> </ul>	Off	
	Ignition switch ON	On	

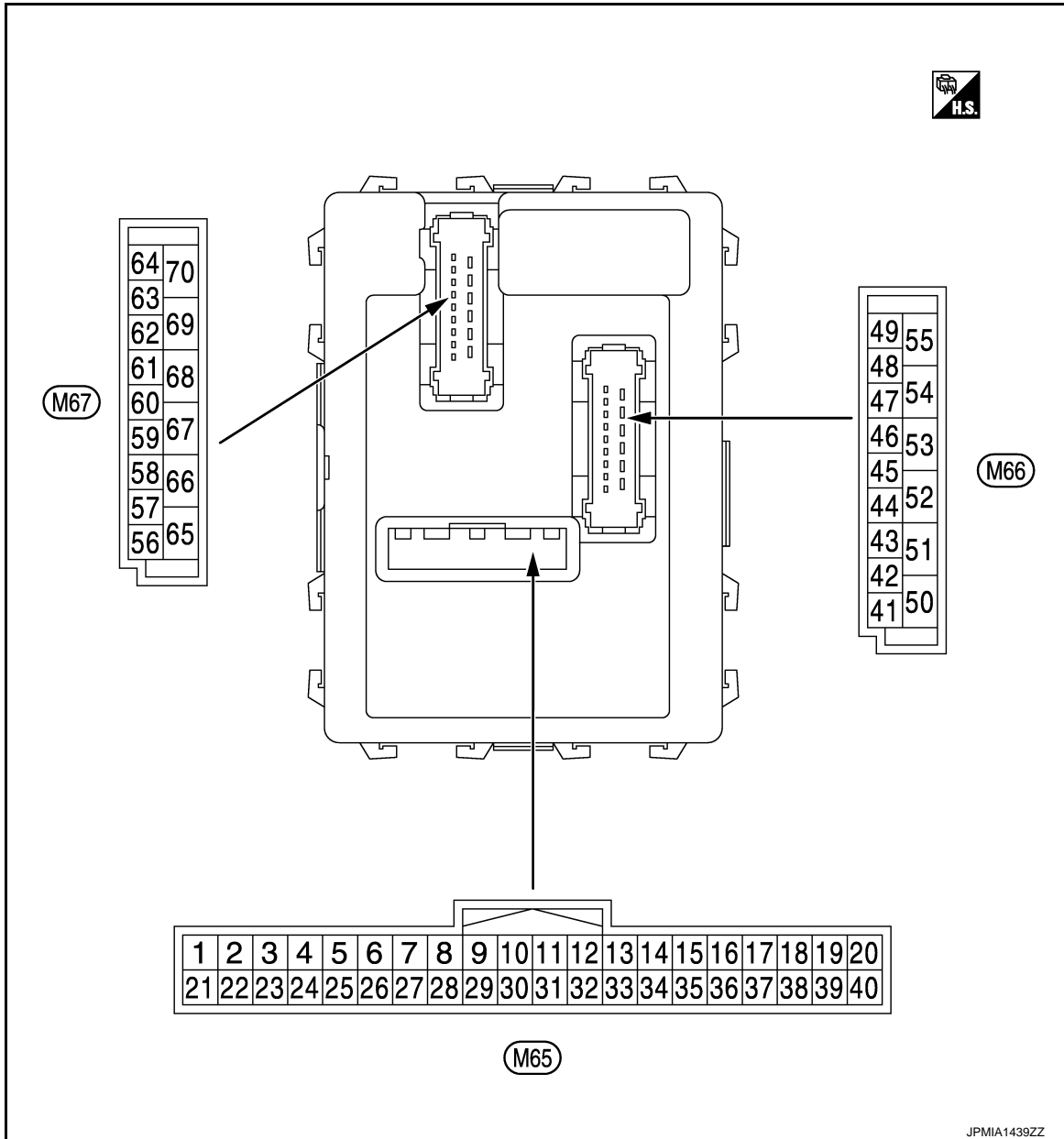
# BCM (BODY CONTROL MODULE)

< ECU DIAGNOSIS INFORMATION >

[WITHOUT INTELLIGENT KEY SYSTEM]

Monitor Item	Condition	Value/Status
BRAKE SW	Brake pedal is not depressed	Off
	Brake pedal is depressed	On

## TERMINAL LAYOUT



### NOTE:

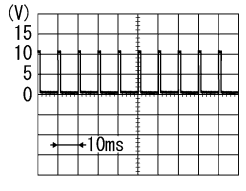
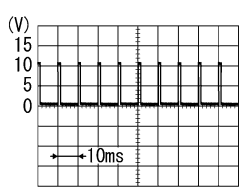
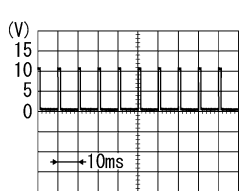
- M65, M66: White
- M67: Black

### PHYSICAL VALUES

# BCM (BODY CONTROL MODULE)

< ECU DIAGNOSIS INFORMATION >

[WITHOUT INTELLIGENT KEY SYSTEM]

Terminal No. (Wire color)		Description		Condition	Value (Approx.)	
		Signal name	Input/ Output			
+	-					
2 (BR/W)	Ground	Combination switch INPUT 5	Input	Combination switch (Wiper intermit- tent dial 4)	All switch OFF	0 V
					Turn signal switch RH	
					Lighting switch HI	
					Lighting switch 1ST	
					Lighting switch 2ND	
3 (GR)	Ground	Combination switch INPUT 4	Input	Combination switch (Wiper intermit- tent dial 4)	All switch OFF	0 V
					Turn signal switch LH	
					Lighting switch PASS	
					Lighting switch 2ND	
					Lighting switch 1ST	
4 (L/Y)	Ground	Combination switch INPUT 3	Input	Combination switch (Wiper intermit- tent dial 4)	All switch OFF	0 V
					Front wiper switch LO	
					Front wiper switch MIST	
					Front wiper switch INT	
					Front wiper switch 1ST	

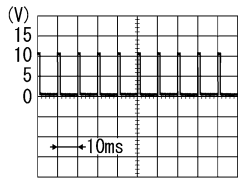
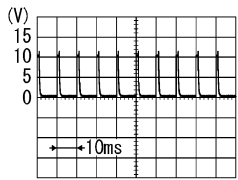
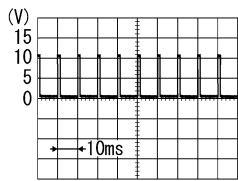
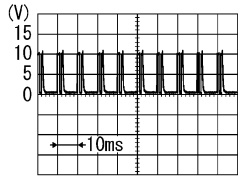
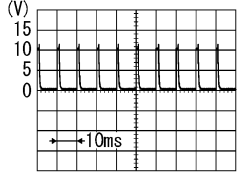
A  
B  
C  
D  
E  
F  
G  
H  
I  
J  
K  
L  
N  
O  
P

BCS

# BCM (BODY CONTROL MODULE)

< ECU DIAGNOSIS INFORMATION >

[WITHOUT INTELLIGENT KEY SYSTEM]

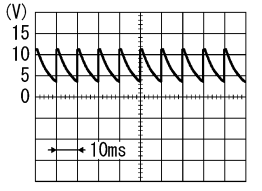
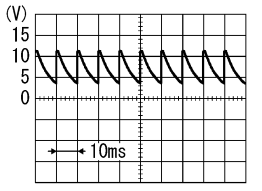
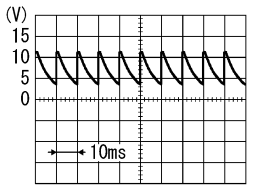
Terminal No. (Wire color)		Description		Condition	Value (Approx.)	
		Signal name	Input/ Output			
+	-					
5 (G)	Ground	Combination switch INPUT 2	Input	Combination switch	All switch OFF (Wiper intermittent dial 4)	0 V
					Front washer switch (Wiper intermittent dial 4)	
					Rear washer switch ON (Wiper intermittent dial 4)	
					Any of the condition below with all switch OFF <ul style="list-style-type: none"> <li>• Wiper intermittent dial 1</li> <li>• Wiper intermittent dial 5</li> <li>• Wiper intermittent dial 6</li> </ul>	
				Rear wiper switch ON (Wiper intermittent dial 4)		0.8 V
6 (L/R)	Ground	Combination switch INPUT 1	Input	Combination switch	All switch OFF (Wiper intermittent dial 4)	0 V
					Front wiper switch HI (Wiper intermittent dial 4)	
					Rear wiper switch INT (Wiper intermittent dial 4)	
					Wiper intermittent dial 3 (All switch OFF)	
				Any of the condition below with all switch OFF <ul style="list-style-type: none"> <li>• Wiper intermittent dial 1</li> <li>• Wiper intermittent dial 2</li> </ul>		1.9 V
				Any of the condition below with all switch OFF <ul style="list-style-type: none"> <li>• Wiper intermittent dial 6</li> <li>• Wiper intermittent dial 7</li> </ul>		0.8 V



# BCM (BODY CONTROL MODULE)

< ECU DIAGNOSIS INFORMATION >

[WITHOUT INTELLIGENT KEY SYSTEM]

Terminal No. (Wire color)		Description		Condition	Value (Approx.)	
+	-	Signal name	Input/ Output			
7 (W/R)	Ground	Door key cylinder switch UNLOCK	Input	Door key cylinder switch	NEUTRAL position	 <p style="text-align: center;">7.0 - 8.0 V</p>
					UNLOCK position	
8 (W/B)	Ground	Door key cylinder switch LOCK	Input	Door key cylinder switch	NEUTRAL position	12 V
					LOCK position	0 V
9 (R)	Ground	Stop lamp switch	Input	Stop lamp switch	OFF (Brake pedal is not depressed)	0 V
					ON (Brake pedal is de- pressed)	Battery voltage
10 (W/L)	Ground	Rear window defog- ger switch	Input	Rear window defogger switch	OFF (Not pressed)	12 V
					ON (Pressed)	0 V
11 (L/Y)	Ground	Ignition switch ACC	Input	Ignition switch OFF		0 V
				Ignition switch ACC or ON		Battery voltage
12 (SB)	Ground	Passenger door switch	Input	Passenger door switch	OFF (When passenger door closed)	 <p style="text-align: center;">7.0 - 8.0 V</p>
					ON (When passenger door opened)	
13 (GR/L)	Ground	Rear RH door switch	Input	Rear RH door switch	OFF (When rear RH door closed)	 <p style="text-align: center;">7.0 - 8.0 V</p>
					ON (When rear RH door opened)	
18 (V)	Ground	Receiver ground	Input	Ignition switch ON		0 V

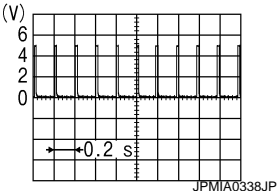
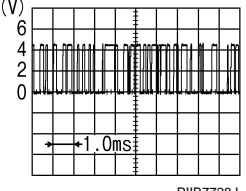
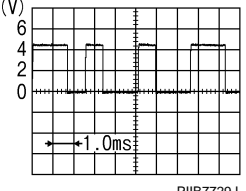
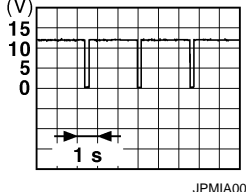
A  
B  
C  
D  
E  
F  
G  
H  
I  
J  
K  
L  
N  
O  
P

BCS

# BCM (BODY CONTROL MODULE)

< ECU DIAGNOSIS INFORMATION >

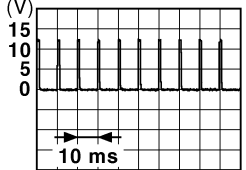
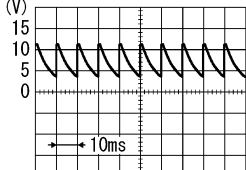
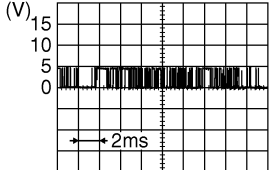
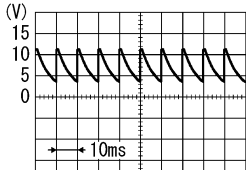
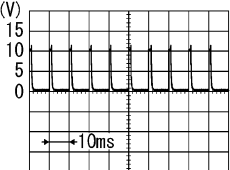
[WITHOUT INTELLIGENT KEY SYSTEM]

Terminal No. (Wire color)		Description		Condition	Value (Approx.)
+	-	Signal name	Input/ Output		
19 (BR)	Ground	Remote keyless entry receiver power supply	Input	Ignition switch ON	0 V
				Remove mechanical key from ignition key cylinder (Any door opened)	5 V
				Remove mechanical key from ignition key cylinder (Any door closed)	
20 (G/Y)	Ground	Remote keyless entry receiver communication	Input	Ignition switch ON	0 V
				Waiting	
				Signal receiving	
21 (P/L)	Ground	NATS antenna amp.	Input/ Output	Just after inserting ignition key in key cylinder	Pointer of tester should move
				Other than above	0 V
23 (R/Y)	Ground	Security indicator	Input	Security indicator ON	0 V
				Blinking (Ignition switch OFF)	
				Security indicator OFF	12 V
24* (GR/B)	Ground	Dongle link	Input/ Output	Ignition switch OFF	5 V
25 (LG)	Ground	NATS antenna amp.	Input/ Output	Just after inserting ignition key in key cylinder	Pointer of tester should move
				Other than above	0 V
26 (GR)	Ground	Thermo control amp.	Input	Ignition switch ON	0 V
				Evaporator is extremely low temperature	12 V

# BCM (BODY CONTROL MODULE)

< ECU DIAGNOSIS INFORMATION >

[WITHOUT INTELLIGENT KEY SYSTEM]

Terminal No. (Wire color)		Description		Condition	Value (Approx.)	
+	-	Signal name	Input/ Output			
27 (Y/G)	Ground	A/C switch	Input	A/C switch	OFF	 <small>JPMIA0012GB</small> 1.0 - 1.5 V
				A/C switch	ON	0 V
28 (G/W)	Ground	Blower fan switch	Input	Fan switch	Blower fan switch OFF	 <small>PKIB4960J</small> 7.0 - 8.0 V
				Fan switch	Blower fan switch ON	0 V
29 (L/W)	Ground	Hazard switch	Input	Hazard switch	OFF	Battery voltage
				Hazard switch	ON	0 V
31 (G/Y)	Ground	Front defroster switch	Input	Ignition switch	ON	0 V
				Ignition switch	Other than A/C mode defroster ON position	 <small>JPMIA0589GB</small> 8.0 - 9.0 V
32 (LG)	Ground	Combination switch OUTPUT 5	Output	Combination switch	All switch OFF (Wiper intermittent dial 4)	 <small>PKIB4960J</small> 7.0 - 8.0 V
				Combination switch	Rear wiper switch ON (Wiper intermittent dial 4)	 <small>PKIB4956J</small> 1.0 V
				Combination switch	Any of the condition below with all switch OFF	<ul style="list-style-type: none"> <li>• Wiper intermittent dial 1</li> <li>• Wiper intermittent dial 2</li> <li>• Wiper intermittent dial 6</li> <li>• Wiper intermittent dial 7</li> </ul>

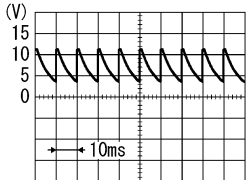
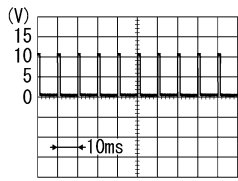
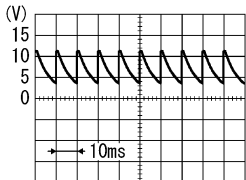
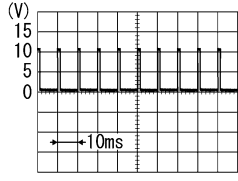
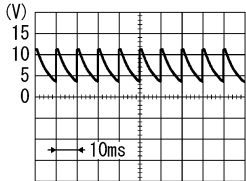
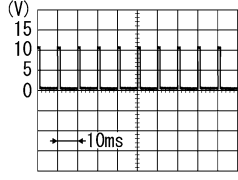
A  
B  
C  
D  
E  
F  
G  
H  
I  
J  
K  
L  
N  
O  
P

BCS

# BCM (BODY CONTROL MODULE)

< ECU DIAGNOSIS INFORMATION >

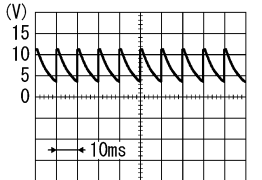
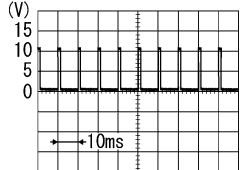
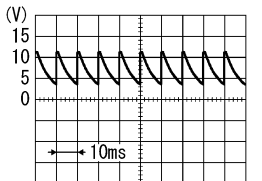
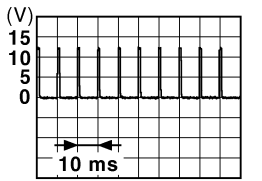
[WITHOUT INTELLIGENT KEY SYSTEM]

Terminal No. (Wire color)		Description		Condition	Value (Approx.)	
+	-	Signal name	Input/ Output			
33 (Y/L)	Ground	Combination switch OUTPUT 4	Output	Combination switch	All switch OFF (Wiper intermittent dial 4)	 <p style="text-align: right; font-size: small;">PKIB4960J</p> <p style="text-align: center;">7.0 - 8.0 V</p>
					Lighting switch 1ST (Wiper intermittent dial 4)	 <p style="text-align: right; font-size: small;">PKIB4958J</p> <p style="text-align: center;">1.2 V</p>
					Rear wiper switch INT (Wiper intermittent dial 4)	
					Any of the condition below with all switch OFF	
					<ul style="list-style-type: none"> <li>• Wiper intermittent dial 1</li> <li>• Wiper intermittent dial 5</li> <li>• Wiper intermittent dial 6</li> </ul>	
34 (W)	Ground	Combination switch OUTPUT 3	Output	Combination switch	All switch OFF (Wiper intermittent dial 4)	 <p style="text-align: right; font-size: small;">PKIB4960J</p> <p style="text-align: center;">7.0 - 8.0 V</p>
					Lighting switch 2ND (Wiper intermittent dial 4)	 <p style="text-align: right; font-size: small;">PKIB4958J</p> <p style="text-align: center;">1.2 V</p>
					Lighting switch HI (Wiper intermittent dial 4)	
					Rear washer switch ON (Wiper intermittent dial 4)	
					<ul style="list-style-type: none"> <li>• Wiper intermittent dial 1</li> <li>• Wiper intermittent dial 2</li> <li>• Wiper intermittent dial 3</li> </ul>	
35 (R/L)	Ground	Combination switch OUTPUT 2	Output	Combination switch (Wiper intermit- tent dial 4)	All switch OFF	 <p style="text-align: right; font-size: small;">PKIB4960J</p> <p style="text-align: center;">7.0 - 8.0 V</p>
					Lighting switch 2ND	 <p style="text-align: right; font-size: small;">PKIB4958J</p> <p style="text-align: center;">1.2 V</p>
					Lighting switch PASS	
					Front wiper switch INT	
					Front wiper switch HI	

# BCM (BODY CONTROL MODULE)

< ECU DIAGNOSIS INFORMATION >

[WITHOUT INTELLIGENT KEY SYSTEM]

Terminal No. (Wire color)		Description		Condition		Value (Approx.)
+	-	Signal name	Input/ Output			
36 (L/O)	Ground	Combination switch OUTPUT 1	Output	Combination switch (Wiper intermit- tent dial 4)	All switch OFF	 7.0 - 8.0 V
					Turn signal switch RH	 1.2 V
					Turn signal switch LH	
					Front wiper switch LO (Front wiper switch MIST)	
					Front washer switch ON	
37 (R/W)	Ground	Key switch	Input	Insert mechanical key into ignition key cylinder		Battery voltage
				Remove mechanical key from ignition key cylinder		0 V
38 (O)	Ground	Ignition switch ON	Input	Ignition switch OFF or ACC		0 V
				Ignition switch ON		Battery voltage
39 (L)	Ground	CAN-H	Input/ Output	—		—
40 (P)	Ground	CAN-L	Input/ Output	—		—
43 (W)	Ground	Back door switch	Input	Back door switch	OFF (When back door closed)	 7.0 - 8.0 V
					ON (When back door opened)	0 V
44 (LG)	Ground	Rear wiper stop po- sition	Input	Ignition switch ON	Rear wiper stop position	12 V
					Any position other than rear wiper stop position	0 V
45 (GR)	Ground	Door lock and unlock switch LOCK	Input	Door lock and unlock switch	NEUTRAL position	 1.0 - 1.5 V
					LOCK position	0 V

A  
B  
C  
D  
E  
F  
G  
H  
I  
J  
K  
L

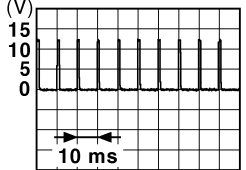
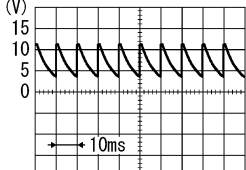
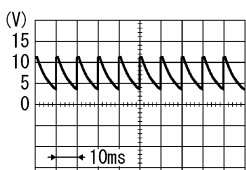
BCS

N  
O  
P

# BCM (BODY CONTROL MODULE)

< ECU DIAGNOSIS INFORMATION >

[WITHOUT INTELLIGENT KEY SYSTEM]

Terminal No. (Wire color)		Description		Condition		Value (Approx.)
+	-	Signal name	Input/ Output			
46 (BR)	Ground	Door lock and unlock switch UNLOCK	Input	Door lock and unlock switch	NEUTRAL position	 1.0 - 1.5 V
					UNLOCK position	0 V
47 (BR/Y)	Ground	Driver door switch	Input	Driver door switch	OFF (When driver door closed)	 7.0 - 8.0 V
					ON (When driver door opened)	0 V
48 (W/G)	Ground	Rear LH door switch	Input	Rear LH door switch	OFF (When rear LH door closed)	 7.0 - 8.0 V
					ON (When rear LH door opened)	0 V
50 (SB)	Ground	A/C indicator	Output	A/C indicator	OFF	12 V
					ON	0 V
54 (LG)	Ground	Rear wiper	Output	Ignition switch ON	Rear wiper switch OFF	0 V
					Rear wiper switch ON	12 V
56 (L)	Ground	Interior room lamp power supply	Output	Interior room lamp battery saver is activated. (Cuts the interior room lamp power supply)	0 V	
				Interior room lamp battery saver is not activated. (Outputs the interior room lamp power supply)	12 V	
57 (Y)	Ground	Battery power supply	Input	Ignition switch OFF	Battery voltage	
59 (L/B)	Ground	Driver door UNLOCK	Output	Driver door	UNLOCK (Actuator is activated)	12 V
					Other than UNLOCK (Actuator is not activated)	0 V

# BCM (BODY CONTROL MODULE)

< ECU DIAGNOSIS INFORMATION >

[WITHOUT INTELLIGENT KEY SYSTEM]

Terminal No. (Wire color)		Description		Condition	Value (Approx.)
+	-	Signal name	Input/ Output		
60 (W/B)	Ground	Turn signal LH	Output	Ignition switch OFF	0 V
				Ignition switch ON	Turn signal switch LH
61 (W/L)	Ground	Turn signal RH	Output	Ignition switch OFF	0 V
				Ignition switch ON	Turn signal switch RH
63 (BR)	Ground	Interior room lamp control signal	Output	Interior room lamp OFF	12 V
				Interior room lamp ON	0 V
65 (V)	Ground	All doors LOCK	Output	All doors LOCK (Actuator is activated)	12 V
				All doors Other then LOCK (Actuator is not activated)	0 V
66 (G)	Ground	Passenger door and rear door UNLOCK	Output	Passenger door and rear door UNLOCK (Actuator is activated)	12 V
				Passenger door and rear door Other then UNLOCK (Actuator is not activated)	0 V
67 (B)	Ground	Ground	Output	Ignition switch ON	0 V
68 (L)	Ground	P/W power supply (IGN)	Output	Ignition switch ON	12 V
69 (P)	Ground	P/W power supply (BAT)	Output	Ignition switch OFF	12 V
70 (Y)	Ground	Battery power supply	Input	Ignition switch OFF	Battery voltage

\*: For Canada

A  
B  
C  
D  
E  
F  
G  
H  
I  
J  
K  
L  
BCS  
N  
O  
P

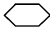
# BCM (BODY CONTROL MODULE)

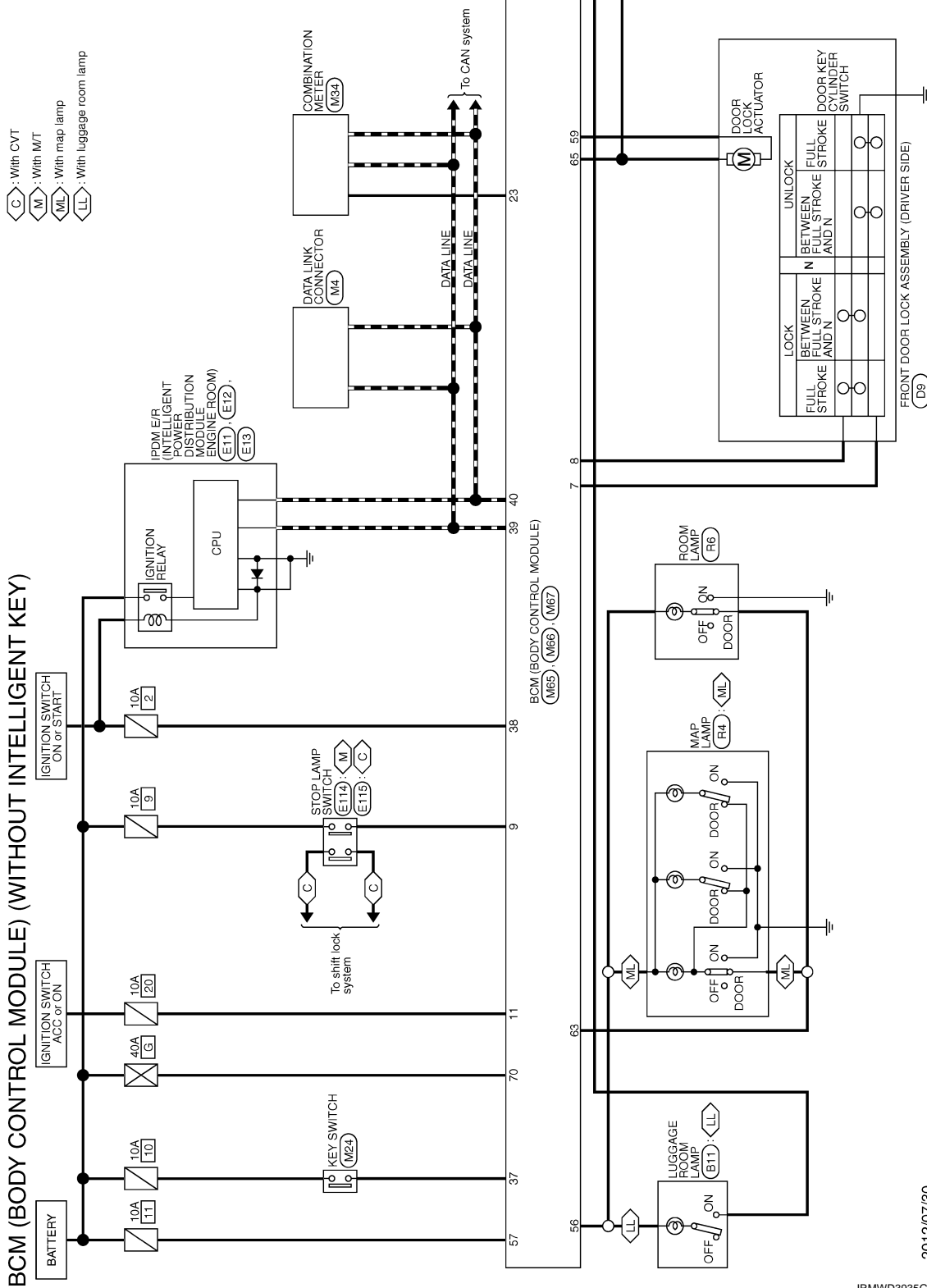
[WITHOUT INTELLIGENT KEY SYSTEM]

< ECU DIAGNOSIS INFORMATION >

## Wiring Diagram - BCM -

INFOID:000000008454188

For connector terminal arrangements, harness layouts, and alphabets in a  (option abbreviation; if not described in wiring diagram), refer to [GI-12, "Connector Information"](#).



JRMWD3935GB

2012/07/30

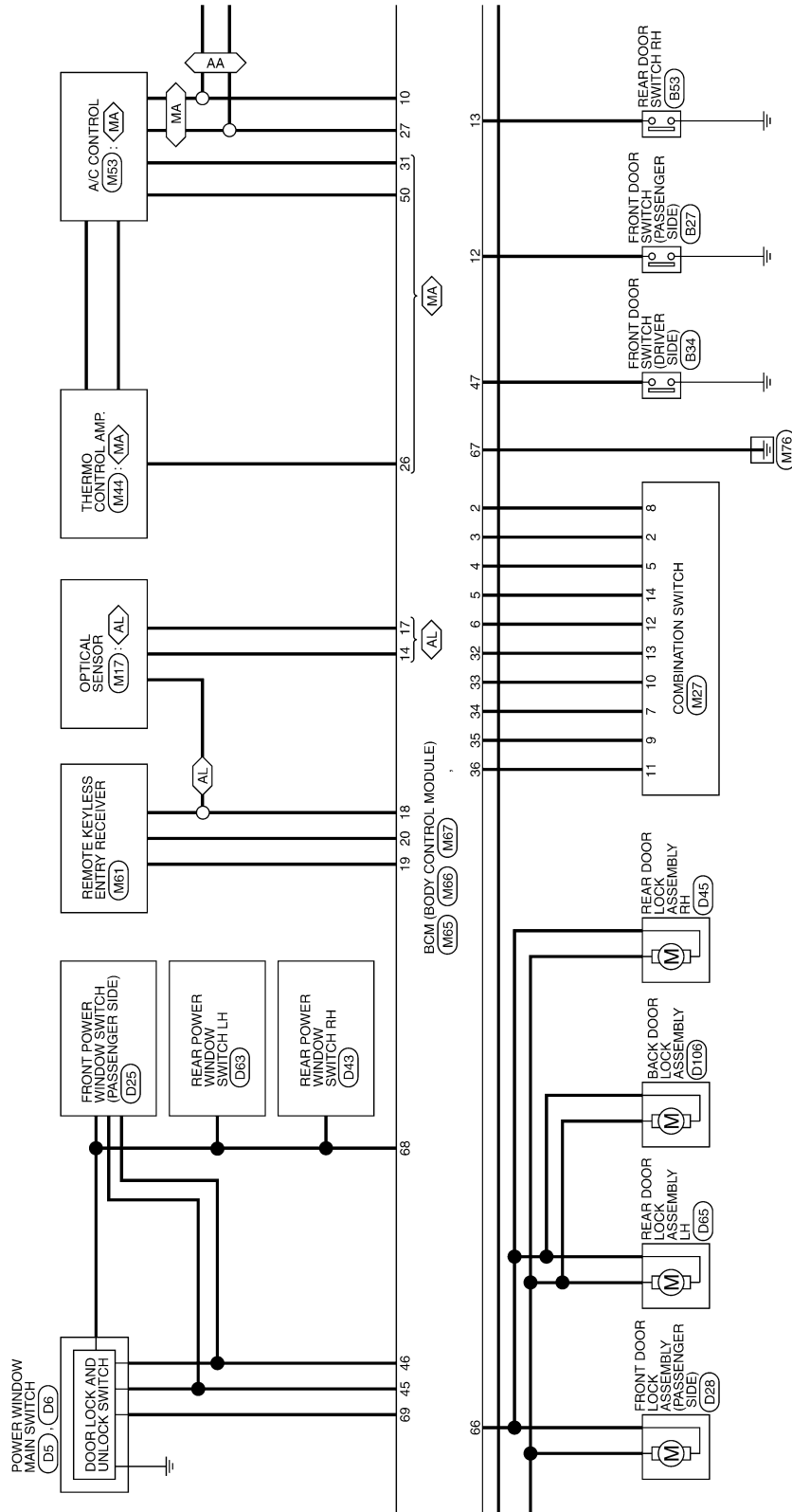


# BCM (BODY CONTROL MODULE)

< ECU DIAGNOSIS INFORMATION >

[WITHOUT INTELLIGENT KEY SYSTEM]

AA: With auto A/C  
 MA: With manual A/C  
 AL: With auto light system



JRMWD3936GB

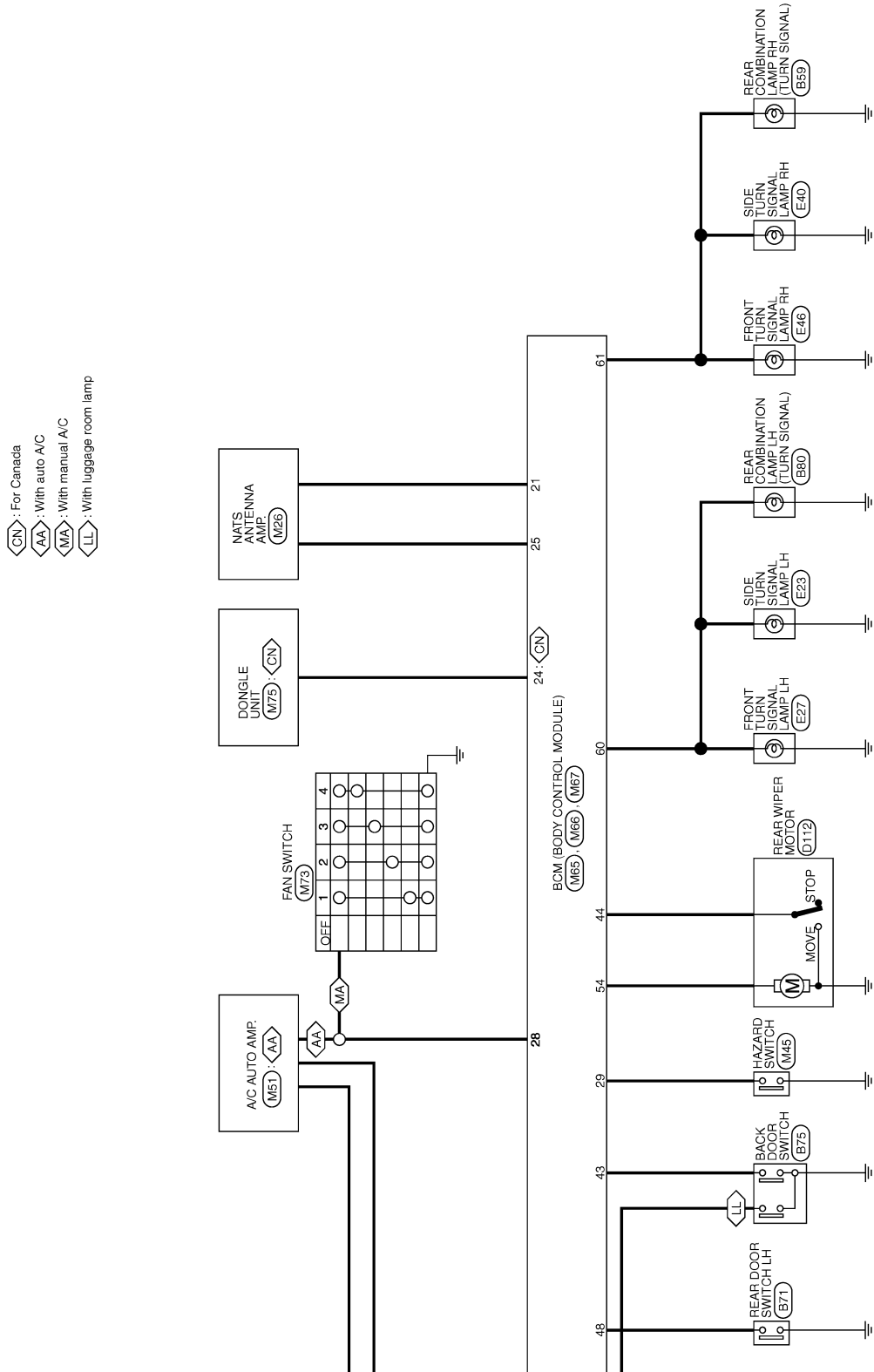
A  
B  
C  
D  
E  
F  
G  
H  
I  
J  
K  
L  
N  
O  
P

BCS

# BCM (BODY CONTROL MODULE)

< ECU DIAGNOSIS INFORMATION >

[WITHOUT INTELLIGENT KEY SYSTEM]



JRMWD3937GB

INFOID:000000008454189

## Fail-safe

### FAIL-SAFE CONTROL BY DTC

BCM performs fail-safe control when any DTC are detected.

# BCM (BODY CONTROL MODULE)

< ECU DIAGNOSIS INFORMATION >

[WITHOUT INTELLIGENT KEY SYSTEM]

Display contents of CONSULT	Fail-safe	Cancellation
B2190: NATS ANTENNA AMP	Inhibit engine cranking	Erase DTC
B2191: DIFFERENCE OF KEY	Inhibit engine cranking	Erase DTC
B2192: ID DISCORD BCM-ECM	Inhibit engine cranking	Erase DTC
B2193: CHAIN OF BCM-ECM	Inhibit engine cranking	Erase DTC
B2195: ANTI SCANNING	Inhibit engine cranking	Ignition switch ON → OFF
B2196: DONGLE NG	Inhibit engine cranking	Erase DTC

## REAR WIPER MOTOR PROTECTION

BCM detects the rear wiper stopping position according to the rear wiper auto stop signal.

When the rear wiper auto stop signal does not change more than 5 seconds while driving the rear wiper, BCM stops power supply to protect the rear wiper motor.

Condition of cancellation

1. Pass more than 1 minute after the rear wiper stop.
2. Turn rear wiper switch OFF.
3. Operate the rear wiper switch or rear washer switch.

## DTC Inspection Priority Chart

INFOID:000000008454190

If some DTCs are displayed at the same time, perform inspections one by one based on the following priority chart.

Priority	DTC
1	<ul style="list-style-type: none"> <li>• U1000: CAN COMM</li> <li>• U1010: CONTROL UNIT (CAN)</li> </ul>
2	<ul style="list-style-type: none"> <li>• B2190: NATS ANTENNA AMP</li> <li>• B2191: DIFFERENCE OF KEY</li> <li>• B2192: ID DISCORD BCM-ECM</li> <li>• B2193: CHAIN OF BCM-ECM</li> <li>• B2195: ANTI SCANNING</li> <li>• B2196: DONGLE NG</li> </ul>
3	C1735: IGN CIRCUIT OPEN
4	<ul style="list-style-type: none"> <li>• C1704: LOW PRESSURE FL</li> <li>• C1705: LOW PRESSURE FR</li> <li>• C1706: LOW PRESSURE RR</li> <li>• C1707: LOW PRESSURE RL</li> <li>• C1708: [NO DATA] FL</li> <li>• C1709: [NO DATA] FR</li> <li>• C1710: [NO DATA] RR</li> <li>• C1711: [NO DATA] RL</li> <li>• C1716: [PRESSDATA ERR] FL</li> <li>• C1717: [PRESSDATA ERR] FR</li> <li>• C1718: [PRESSDATA ERR] RR</li> <li>• C1719: [PRESSDATA ERR] RL</li> <li>• C1729: VHCL SPEED SIG ERR</li> </ul>

## DTC Index

INFOID:000000008454191

### NOTE:

Details of time display

- CRNT: Displays when there is a malfunction now or after returning to the normal condition until turning ignition switch OFF → ON again.
- 1 - 39: Displayed if any previous malfunction is present when current condition is normal. It increases like 1 → 2 → 3...38 → 39 after returning to the normal condition whenever ignition switch OFF → ON. The counter remains at 39 even if the number of cycles exceeds it. It is counted from 1 again when turning ignition switch OFF → ON after returning to the normal condition if the malfunction is detected again.

# BCM (BODY CONTROL MODULE)

< ECU DIAGNOSIS INFORMATION >

[WITHOUT INTELLIGENT KEY SYSTEM]

CONSULT display	Fail-safe	Tire pressure monitor warn- ing lamp ON	Reference
U1000: CAN COMM	—	—	<a href="#">BCS-115</a>
U1010: CONTROL UNIT (CAN)	—	—	<a href="#">BCS-116</a>
B2190: NATS ANTENNA AMP	×	—	<a href="#">SEC-173</a>
B2191: DIFFERENCE OF KEY	×	—	<a href="#">SEC-176</a>
B2192: ID DISCORD BCM-ECM	×	—	<a href="#">SEC-177</a>
B2193: CHAIN OF BCM-ECM	×	—	<a href="#">SEC-178</a>
B2195: ANTI SCANNING	×	—	<a href="#">SEC-179</a>
B2196: DONGLE NG	×	—	<a href="#">SEC-180</a>
C1704: LOW PRESSURE FL	—	×	<a href="#">WT-23</a>
C1705: LOW PRESSURE FR	—	×	
C1706: LOW PRESSURE RR	—	×	
C1707: LOW PRESSURE RL	—	×	
C1708: [NO DATA] FL	—	×	<a href="#">WT-25</a>
C1709: [NO DATA] FR	—	×	
C1710: [NO DATA] RR	—	×	
C1711: [NO DATA] RL	—	×	
C1716: [PRESS DATA ERR] FL	—	×	<a href="#">WT-28</a>
C1717: [PRESS DATA ERR] FR	—	×	
C1718: [PRESS DATA ERR] RR	—	×	
C1719: [PRESS DATA ERR] RL	—	×	
C1729: VHCL SPEED SIG ERR	—	×	<a href="#">WT-30</a>
C1735: IGN CIRCUIT OPEN	—	—	<a href="#">BCS-117</a>

# PRECAUTIONS

< PRECAUTION >

[WITHOUT INTELLIGENT KEY SYSTEM]

## PRECAUTION

### PRECAUTIONS

#### Precaution for Supplemental Restraint System (SRS) "AIR BAG" and "SEAT BELT PRE-TENSIONER"

INFOID:000000008454192

The Supplemental Restraint System such as "AIR BAG" and "SEAT BELT PRE-TENSIONER", used along with a front seat belt, helps to reduce the risk or severity of injury to the driver and front passenger for certain types of collision. This system includes seat belt switch inputs and dual stage front air bag modules. The SRS system uses the seat belt switches to determine the front air bag deployment, and may only deploy one front air bag, depending on the severity of a collision and whether the front occupants are belted or unbelted. Information necessary to service the system safely is included in the "SRS AIR BAG" and "SEAT BELT" of this Service Manual.

#### **WARNING:**

Always observe the following items for preventing accidental activation.

- To avoid rendering the SRS inoperative, which could increase the risk of personal injury or death in the event of a collision that would result in air bag inflation, all maintenance must be performed by an authorized NISSAN/INFINITI dealer.
- Improper maintenance, including incorrect removal and installation of the SRS, can lead to personal injury caused by unintentional activation of the system. For removal of Spiral Cable and Air Bag Module, see "SRS AIR BAG".
- Never use electrical test equipment on any circuit related to the SRS unless instructed to in this Service Manual. SRS wiring harnesses can be identified by yellow and/or orange harnesses or harness connectors.

#### PRECAUTIONS WHEN USING POWER TOOLS (AIR OR ELECTRIC) AND HAMMERS

#### **WARNING:**

Always observe the following items for preventing accidental activation.

- When working near the Air Bag Diagnosis Sensor Unit or other Air Bag System sensors with the ignition ON or engine running, never use air or electric power tools or strike near the sensor(s) with a hammer. Heavy vibration could activate the sensor(s) and deploy the air bag(s), possibly causing serious injury.
- When using air or electric power tools or hammers, always switch the ignition OFF, disconnect the battery, and wait at least 3 minutes before performing any service.

A  
B  
C  
D  
E  
F  
G  
H  
I  
J  
K  
L

BCS

N  
O  
P

# COMBINATION SWITCH SYSTEM SYMPTOMS

< SYMPTOM DIAGNOSIS >

[WITHOUT INTELLIGENT KEY SYSTEM]

## SYMPTOM DIAGNOSIS

### COMBINATION SWITCH SYSTEM SYMPTOMS

#### Symptom Table

INFOID:000000008454193

1. Perform "Data Monitor" of CONSULT to check for any malfunctioning item.
2. Check the malfunction combinations.

Malfunction item: ×

Data monitor item															Malfunction combination
FR WIPER HI	FR WIPER LOW	FR WASHER SW	FR WIPER INT	RR WIPER ON	RR WIPER INT	RR WASHER SW	INT VOLUME	TURN SIGNAL R	TURN SIGNAL L	TAIL LAMP SW	HI BEAM SW	HEAD LAMP SW 1	HEAD LAMP SW 2	PASSING SW	
	×	×						×	×						A
×			×									×		×	B
						×	×				×		×		C
					×		×			×					D
				×			×								E
×					×		×								F
		×		×		×	×								G
	×		×												H
									×				×	×	I
								×		×	×	×			J
All Items															K
If only one item is detected or the item is not applicable to the combinations A to K															L

3. Identify the malfunctioning part from the agreed combination and repair or replace the part.

Malfunction combination	Malfunctioning part	Repair or replace
A	Combination switch OUTPUT 1 circuit	Inspect the combination switch output circuit applicable to the malfunctioning part. Refer to <a href="#">BCS-119. "Diagnosis Procedure"</a> .
B	Combination switch OUTPUT 2 circuit	
C	Combination switch OUTPUT 3 circuit	
D	Combination switch OUTPUT 4 circuit	
E	Combination switch OUTPUT 5 circuit	
F	Combination switch INPUT 1 circuit	Inspect the combination switch input circuit applicable to the malfunctioning part. Refer to <a href="#">BCS-121. "Diagnosis Procedure"</a> .
G	Combination switch INPUT 2 circuit	
H	Combination switch INPUT 3 circuit	
I	Combination switch INPUT 4 circuit	
J	Combination switch INPUT 5 circuit	
K	BCM	Replace BCM. Refer to <a href="#">BCS-144. "Removal and Installation"</a> .
L	Combination switch	Replace combination switch.

# NORMAL OPERATING CONDITION

< SYMPTOM DIAGNOSIS >

[WITHOUT INTELLIGENT KEY SYSTEM]

## NORMAL OPERATING CONDITION

### Description

INFOID:000000008914618

#### SHIPPING MODE

- Shipping mode inhibits battery power consumption during transportation or storage of the vehicle. Vehicle is set to shipping mode before being shipped from the factory.
- When ignition switch is OFF, BCM operates shipping mode.
- BCM control functions are limited in shipping mode. The limited items that are not operated during the shipping mode are as follows.
  - Door lock and unlock switch function
  - Remote keyless entry function
  - Theft warning alarm function
  - Lighting & turn signal switch function
  - Interior room lamp timer control function
- For shipping mode cancel operation, refer to [BCS-87, "Description"](#).

#### NOTE:

Do not cancel shipping mode during storage of the vehicle. Always cancel shipping mode before delivery of the vehicle to customer.

A  
B  
C  
D  
E  
F  
G  
H  
I  
J  
K  
L  
N  
O  
P

BCS

# BCM (BODY CONTROL MODULE)

< REMOVAL AND INSTALLATION >

[WITHOUT INTELLIGENT KEY SYSTEM]

## REMOVAL AND INSTALLATION

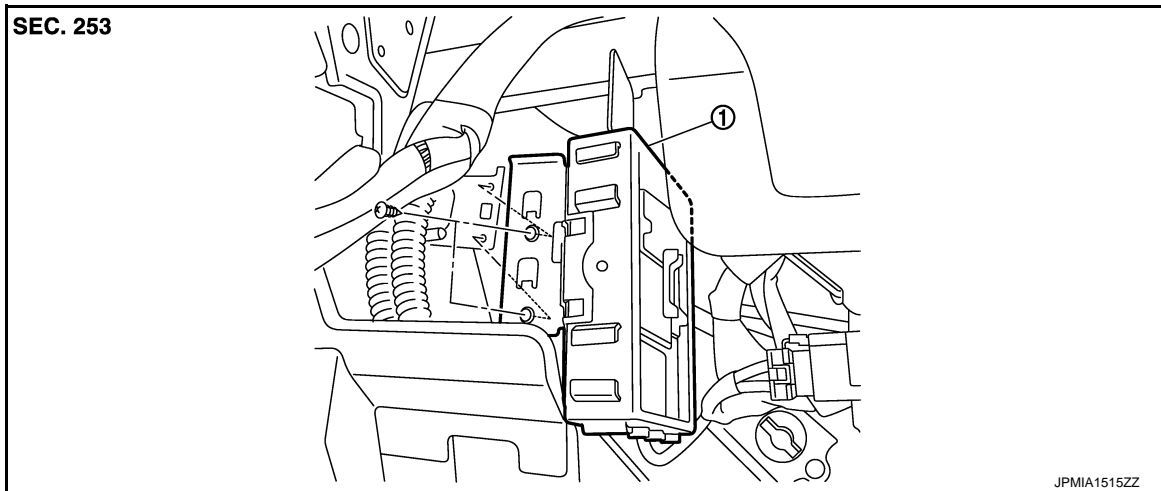
### BCM (BODY CONTROL MODULE)

#### Exploded View

INFOID:000000008454195

#### NOTE:

Before replacing BCM, perform "READ CONFIGURATION" to save or print current vehicle specification. Refer to [BCS-84, "Description"](#).



1. BCM

#### Removal and Installation

INFOID:000000008454196

#### NOTE:

Before replacing BCM, perform "READ CONFIGURATION" to save or print current vehicle specification. Refer to [BCS-84, "Description"](#).

#### REMOVAL

1. Remove knee protector. Refer to [IP-12, "Exploded View"](#).
2. Remove fuse block (J/B).
3. Remove harness clip.
4. Remove screws.
5. Remove BCM and disconnect the connector.

#### INSTALLATION

Install in the reverse order of removal.

#### CAUTION:

Be sure to perform "WRITE CONFIGURATION" when replacing BCM. Or not doing so, BCM control function does not operate normally.

#### NOTE:

Be sure to perform the system initialization (NATS) when replacing BCM. Refer to [SEC-154, "ECM : Special Repair Requirement"](#).



# COMBINATION SWITCH

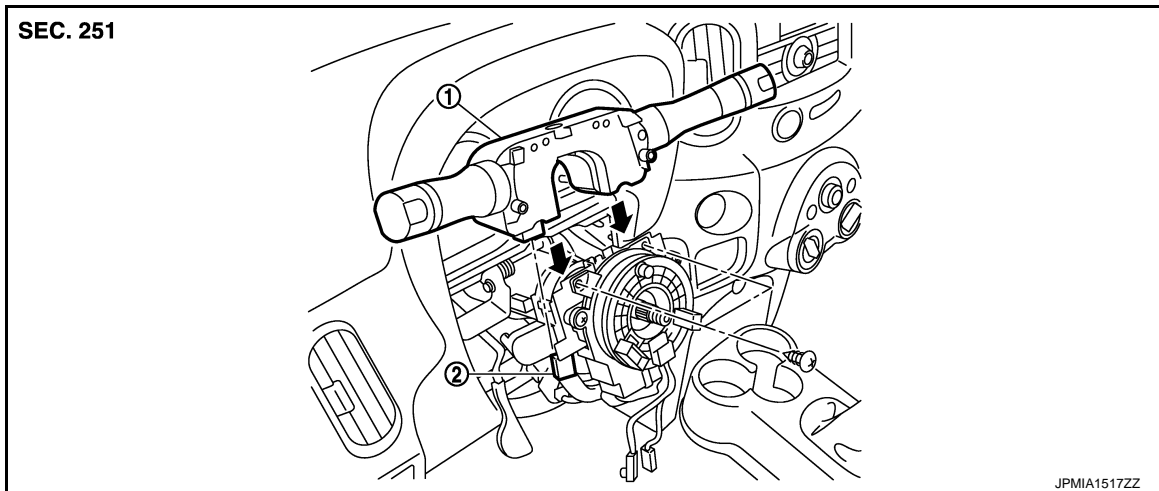
< REMOVAL AND INSTALLATION >

[WITHOUT INTELLIGENT KEY SYSTEM]

## COMBINATION SWITCH

### Exploded View

INFOID:000000008454197



1. Combination switch

2. Combination switch connector

### Removal and Installation

INFOID:000000008454198

#### REMOVAL

1. Remove steering column cover. Refer to [IP-12. "Exploded View"](#).
2. Remove screws.
3. Disconnect the connector.
4. Pull up the combination switch to remove it.

#### INSTALLATION

Install in the reverse order of removal.

A  
B  
C  
D  
E  
F  
G  
H  
I  
J  
K  
L

BCS

N  
O  
P