

SECTION **BRM**
 BODY REPAIR

A
 B
 C
 D
 E
 F
 G
 H
 I
 J
 BRM
 L
 M
 N
 O
 P

CONTENTS

VEHICLE INFORMATION	2	REPLACEMENT OPERATIONS	21
BODY EXTERIOR PAINT COLOR	2	Description	21
Body Exterior Paint Color	2	Radiator Core Support	23
PRECAUTION	3	Hoodledge	23
REPAIRING HIGH STRENGTH STEEL	3	Hoodledge (Partial Replacement)	25
High Strength Steel (HSS)	3	Front Side Member	27
Handling of Ultra High Strength Steel Plate Parts.....	5	Front Side Member (Partial Replacement)	29
PREPARATION	6	Front Pillar	30
REPAIRING MATERIAL	6	Center Pillar	33
Foam Repair	6	Outer Sill (Partial Replacement)	37
BODY COMPONENT PARTS	8	Outer Sill	38
Underbody Component Parts	8	Rear Fender (LH)	41
Body Component Parts	10	Rear Fender (RH)	45
REMOVAL AND INSTALLATION	12	Rear Panel	49
CORROSION PROTECTION	12	Rear Floor Rear	49
Description	12	Rear Side Member Extension	50
Undercoating	12	SERVICE DATA AND SPECIFICATIONS	
Stone Guard Coat	13	(SDS)	52
Body Sealing	14	BODY ALIGNMENT	52
BODY CONSTRUCTION	18	Body Center Marks	52
Body Construction	18	Description	53
Rear Fender Hemming Process	19	Engine Compartment	53
		Underbody	55
		Passenger Compartment	58
		Rear Body	61
		LOCATION OF PLASTIC PARTS	63
		Precautions for Plastics	63
		Location of Plastic Parts	64

BODY EXTERIOR PAINT COLOR

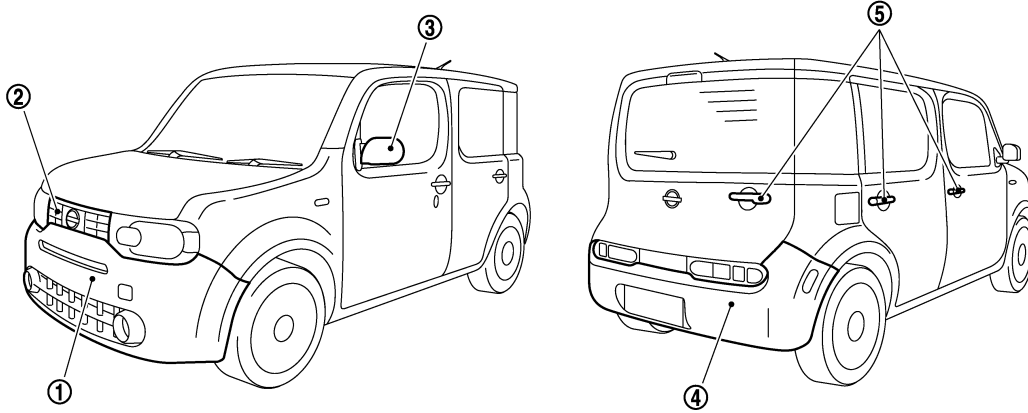
< VEHICLE INFORMATION >

VEHICLE INFORMATION

BODY EXTERIOR PAINT COLOR

Body Exterior Paint Color

INFOID:000000008453256



JSKIA1176ZZ

Component		Color code	BB20	BCAH	BK23	BKAD	BL50	BNAH	BQAB	BRBC	BK13	
		Description	Bluish Black	Brown	Silver	Gray	Brownish Purple	Red	White	Blue	Gray	
		Paint type ^{note}	P	PM	M	M	P	PM	3P	PM	P	
		Hard clear coat	×	×	-	-	×	×	-	-	×	
1	Front bumper fascia	Body color	BB20	BCAH	BK23	BKAD	BL50	BNAH	BQAB	BRBC	BK13	
2	Front grille	Dark Gray	LX15	LX15	LX15	LX15	LX15	LX15	LX15	LX15	LX15	
3	Door outside mirror	Cover	Body color	BB20	BCAH	BK23	BKAD	BL50	BNAH	BQAB	BRBC	BK13
		Material color	-	-	-	-	-	-	-	-	-	
4	Rear bumper fascia	Body color	BB20	BCAH	BK23	BKAD	BL50	BNAH	BQAB	BRBC	BK13	
5	Door outside handle	Body color	BB20	BCAH	BK23	BKAD	BL50	BNAH	BQAB	BRBC	BK13	

NOTE:

- S: Solid
- 2S: Solid + Clear
- CS: Color clear solid
- M: Metallic
- P: 2-Coat pearl
- 3P: 3-Coat pearl
- FPM: Iron oxide pearl
- TPM: Titanium pearl metallic
- RM, RPM: Multi flex color
- TM: Micro titanium metallic
- PM: Pearl metallic

REPAIRING HIGH STRENGTH STEEL

< PRECAUTION >

PRECAUTION

REPAIRING HIGH STRENGTH STEEL

High Strength Steel (HSS)

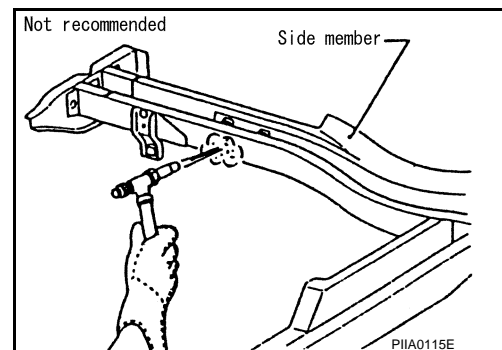
INFOID:000000008453257

High strength steel is used for body panels in order to reduce vehicle weight. Accordingly, precautions in repairing automotive bodies made of high strength steel are described below:

Tensile strength	Major applicable parts
370 - 590 MPa	<ul style="list-style-type: none"> • Front strut housing • Side dash • Lower dash crossmember assembly • Lower dash crossmember reinforcement (Component part) • Center front floor • 2nd and 3rd crossmember (Front floor component part) • Front side member assembly • Front side member closing plate assembly • Front suspension mounting bracket • Rear seat crossmember • Center rear crossmember assembly • Rear side member assembly • Front pillar brace • Center pillar reinforcement • Inner side roof rail complete • Inner center pillar • Inner rear pillar (Component part) • Lower inner rear pillar • Back pillar assembly (Component part) • Rear panel assembly (Component part) • Front side member front assembly • Rear bumper stay • Other reinforcements
780 - 1350 MPa	<ul style="list-style-type: none"> • Inner sill • Front side member rear extension (Front floor component part) • Outer side roof rail reinforcement • Outer sill reinforcement • Inner center rear bumper reinforcement assembly

Read the following precautions when repairing HSS:

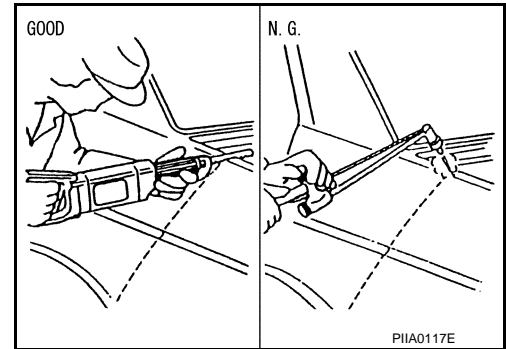
1. Additional points to consider
 - The repair of reinforcements (such as side members) by heating is not recommended, because it may weaken the component. When heating is unavoidable, never heat HSS parts above 550°C (1,022°F). Verify heating temperature with a thermometer. (Crayon-type and other similar type thermometer are appropriate.)



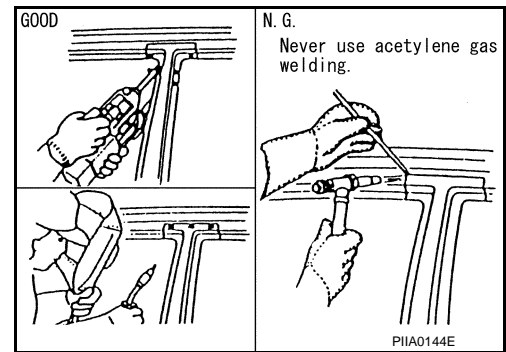
REPAIRING HIGH STRENGTH STEEL

< PRECAUTION >

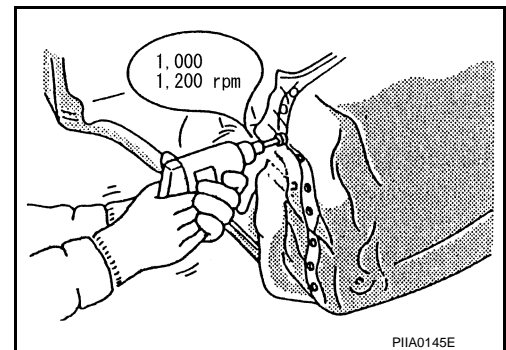
- When straightening body panels, use caution in pulling any HSS panel. Because HSS is very strong, pulling may cause deformation in adjacent sections of the body. In this case, increase the number of measuring points, and carefully pull the HSS panel.
- When cutting HSS panels, avoid gas (torch) cutting if possible. Instead, use a saw to avoid weakening surrounding areas due to heat. If gas (torch) cutting is unavoidable, allow a minimum margin of 50 mm (1.97 in).



- When welding HSS panels, use spot welding whenever possible in order to minimize weakening surrounding areas due to heat. If spot welding is impossible, use MIG. welding. Do not use gas (torch) for welding because it is inferior in welding strength.



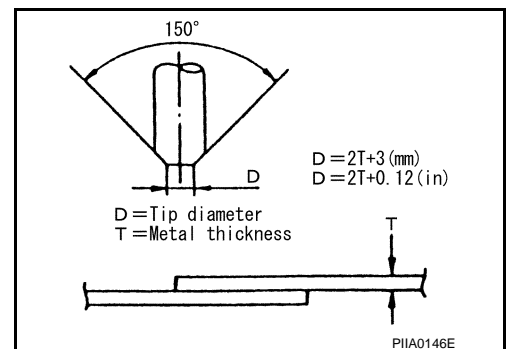
- Spot welding on HSS panels is harder than that of an ordinary steel panel. Therefore, when cutting spot welds on a HSS panel, use a low speed high torque drill (1,000 to 1,200 rpm) to increase drill bit durability and facilitate the operation.



2. Precautions in spot welding HSS

This work should be performed under standard working conditions. Always note the following when spot welding HSS:

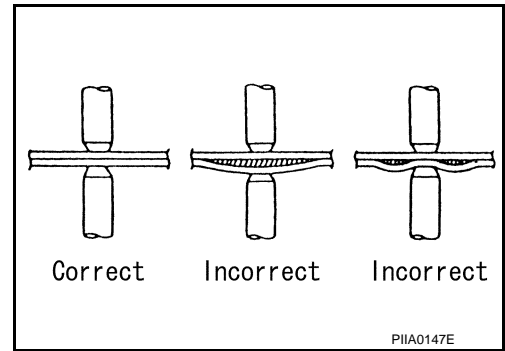
- The electrode tip diameter must be sized properly according to the metal thickness.



REPAIRING HIGH STRENGTH STEEL

< PRECAUTION >

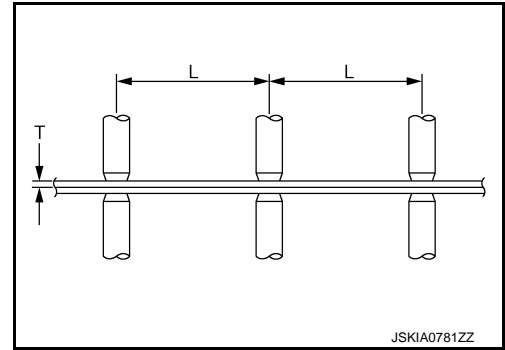
- The panel surfaces must fit flush to each other, leaving no gaps.



- Follow the specifications for the proper welding pitch.

Unit: mm (in)

Thickness (T)	Minimum pitch (L)
0.6 (0.024)	10 (0.39) or more
0.8 (0.031)	12 (0.47) or more
1.0 (0.039)	18 (0.71) or more
1.2 (0.047)	20 (0.79) or more
1.6 (0.063)	27 (1.06) or more
1.8 (0.071)	31 (1.22) or more



Handling of Ultra High Strength Steel Plate Parts

INFOID:000000008453258

PROHIBITION OF CUT AND CONNECTION

Never cut and joint the lower lock pillar reinforcement (center pillar reinforcement inside frame parts) because its material is high strength steel plate (ultra high strength steel plate). The center pillar reinforcement must be replaced if this part is damaged.

A
B
C
D
E
F
G
H
I
J

BRM

L
M
N
O
P

REPAIRING MATERIAL

< PREPARATION >

PREPARATION

REPAIRING MATERIAL

Foam Repair

INFOID:000000008453259

During factory body assembly, foam insulators are installed in certain body panels and locations around the vehicle. Use the following procedure(s) to replace any factory-installed foam insulators.

URETHANE FOAM APPLICATIONS

Use commercially available Urethane foam for sealant (foam material) repair of material used on vehicle.

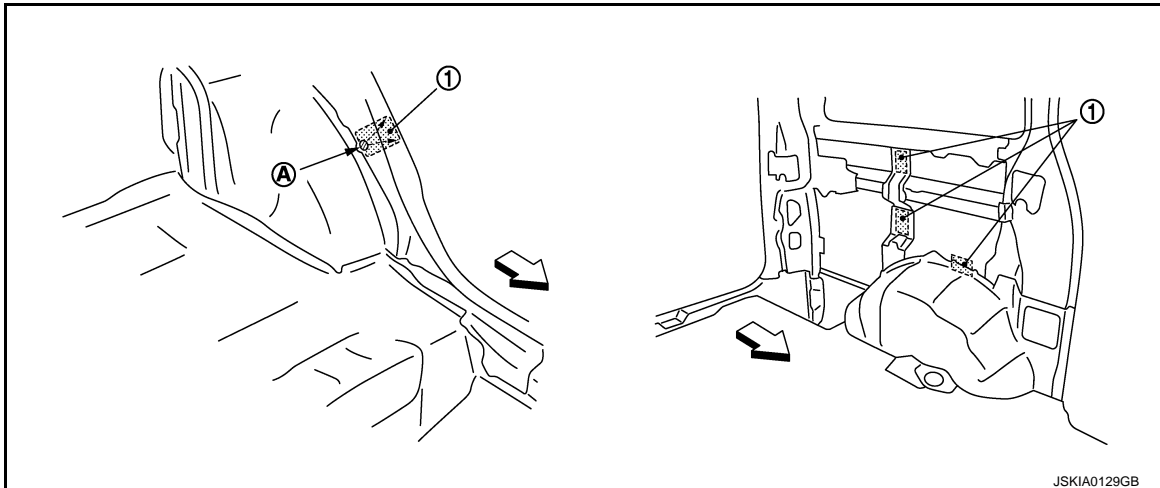
<Urethane foam for foaming agent>

3M™ Automix™ Flexible Foam 08463 or equivalent

Read instructions on product for fill procedures.

Example of foaming agent filling operation procedure

1. Fill procedures after installation of service part.
 - a. Eliminate foam material remaining on vehicle side.
 - b. Clean area after eliminating form insulator and foam material.
 - c. Install service part.
 - d. Insert nozzle into hole near fill area and fill foam material or fill enough to close gap with the service part.



1. Urethane foam
- A. Nozzle insert hole

↙: Vehicle front

2. Fill procedures before installation of service part.
 - a. Eliminate foam material remaining on vehicle side.
 - b. Clean area after eliminating foam insulator and foam material.
 - c. Fill foam material on wheelhouse outer side.

REPAIRING MATERIAL

< PREPARATION >

- 1. Urethane foam
- A. Fill while avoiding flange area

←: Vehicle front

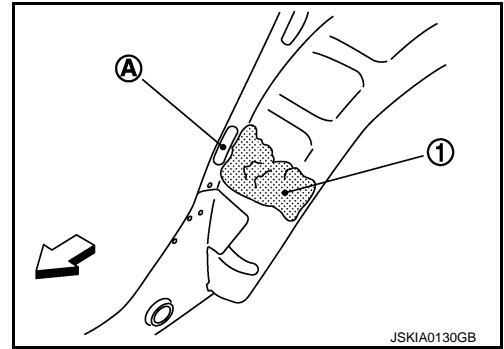
NOTE:

Fill enough to close gap with service part while avoiding flange area.

- d. Install service part.

NOTE:

Refer to label for information on working times.



A
B
C
D
E
F
G
H
I
J
L
M
N
O
P

BRM

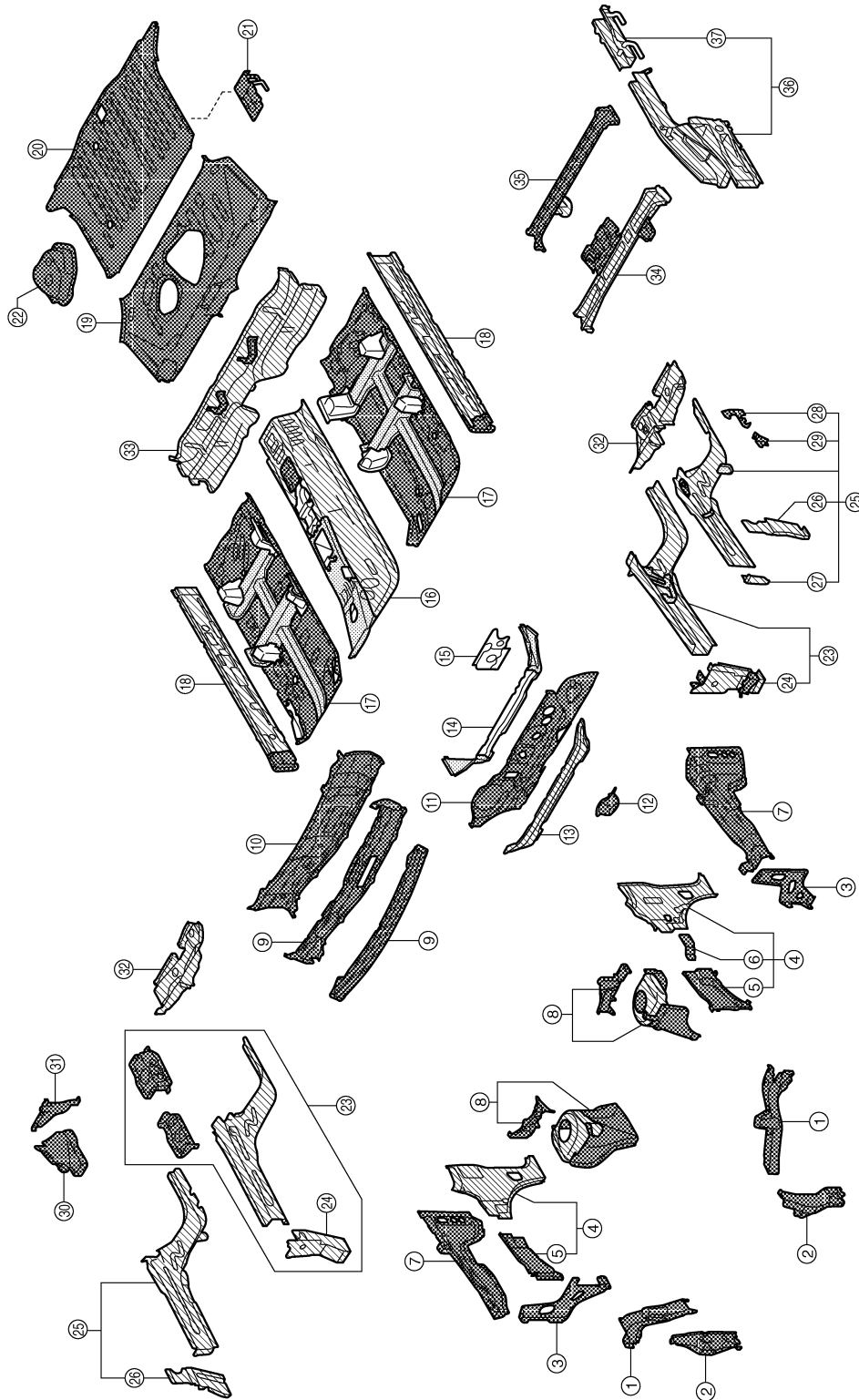
BODY COMPONENT PARTS

< PREPARATION >

BODY COMPONENT PARTS

Underbody Component Parts

INFOID:000000008453260



JSKIA1177ZZ


- | | | |
|---|---|-----------------------------------|
| 1. Side radiator core support (RH & LH) | 2. Side radiator core reinforcement (RH & LH) | 3. Hoodledge connector (RH & LH) |
| 4. Side dash (RH & LH) | 5. Upper hoodledge (RH & LH) | 6. Hoodledge reinforcement gusset |


BODY COMPONENT PARTS

< PREPARATION >

- | | | | |
|--|---|--|---|
| 7. Hoodledge reinforcement (RH & LH) | 8. Front strut housing (RH & LH) | 9. Cowl top | |
| 10. Upper dash assembly | 11. Lower dash | 12. Steering hole patch | A |
| 13. Lower dash crossmember assembly | 14. Lower dash crossmember reinforcement | 15. Lower dash reinforcement | |
| 16. Center front floor | 17. Front floor (RH & LH) | 18. Inner sill (RH & LH) | B |
| 19. Rear floor front | 20. Rear floor rear | 21. Center rear member assembly | |
| 22. Rear floor rear cover | 23. Front side member assembly (RH & LH) | 24. Outer add on frame bracket (RH & LH) | C |
| 25. Front side member closing plate assembly (RH & LH) | 26. Add on frame bracket (RH & LH) | 27. Tie down hook reinforcement | |
| 28. Front side closing plate reinforcement | 29. Front side rear closing reinforcement | 30. Lower front hoodledge | D |
| 31. Strut housing reinforcement | 32. Front suspension mounting bracket (RH & LH) | 33. Rear seat crossmember | |
| 34. Center rear crossmember assembly | 35. 7th crossmember | 36. Rear side member assembly (RH & LH) | E |
| 37. Rear side member extension (RH & LH) | | | F |

 Both sided anti-corrosive precoated steel sections

 High strength steel (HSS) sections

 Both sided anti-corrosive steel and HSS sections

NOTE:

For the parts without a number described in the figure, it is supplied only with the assembly part that the part is included with.

A
B
C
D
E
F
G
H
I
J
L
M
N
O
P

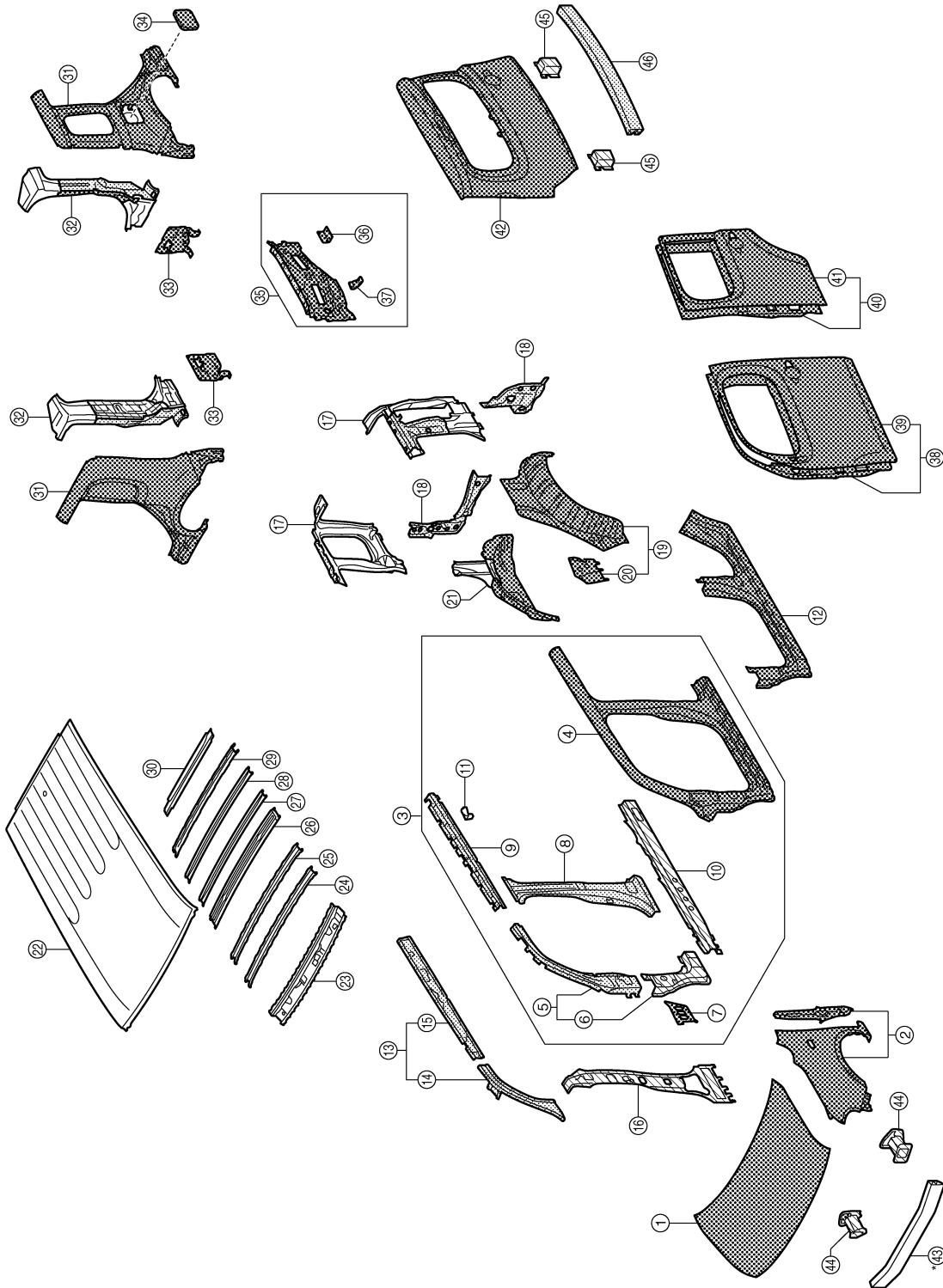
BRM

BODY COMPONENT PARTS

< PREPARATION >

Body Component Parts

INFOID:000000008453261



JSKIA1178ZZ


- | | | |
|---|--|---|
| 1. Hood | 2. Front fender (RH & LH) | 3. Side body assembly (RH & LH) |
| 4. Outer front side body (RH & LH) | 5. Front pillar brace (RH & LH) | 6. Lower front pillar hinge brace (RH & LH) |
| 7. Lower front pillar reinforcement (RH & LH) | 8. Center pillar reinforcement (RH & LH) | 9. Outer side roof rail reinforcement (RH & LH) |


BODY COMPONENT PARTS

< PREPARATION >

- | | | | |
|---|--|--|---|
| 10. Outer sill reinforcement (RH & LH) | 11. Seat belt anchor reinforcement | 12. Outer sill (RH & LH) | |
| 13. Inner side roof rail complete (RH & LH) | 14. Upper inner front pillar (RH & LH) | 15. Inner side roof rail (RH & LH) | A |
| 16. Inner center pillar (RH & LH) | 17. Inner rear pillar (RH & LH) | 18. Lower inner rear pillar (RH & LH) | |
| 19. Outer rear wheelhouse (RH & LH) | 20. Outer rear wheelhouse extension (RH & LH) | 21. Inner rear wheelhouse (RH & LH) | B |
| 22. Roof | 23. Front roof rail | 24. Roof bow No. 1 | |
| 25. Roof bow No. 2 | 26. Center roof reinforcement | 27. Roof bow No. 3 | C |
| 28. Roof bow No. 4 | 29. Roof bow No. 5 | 30. Rear roof rail | |
| 31. Rear fender assembly (RH & LH) | 32. Back pillar assembly (RH & LH) | 33. Rear combination lamp base extension (RH & LH) | D |
| 34. Fuel filler lid | 35. Rear panel assembly | 36. Upper rear bumper retainer | |
| 37. Rear side bumper bracket | 38. Front door assembly (RH & LH) | 39. Outer front door panel (RH & LH) | E |
| 40. Rear door assembly (RH & LH) | 41. Outer rear door panel (RH & LH) | 42. Back door | |
| 43. Front bumper armature assembly | 44. Front side member front assembly (RH & LH) | 45. Rear bumper stay (RH & LH) | F |
| 46. Inner center rear bumper reinforcement assembly | | | |

 Both sided anti-corrosive precoated steel sections

 High strength steel (HSS) sections

 Both sided anti-corrosive steel and HSS sections

*: Aluminum portion

NOTE:

For the parts without a number described in the figure, it is supplied only with the assembly part that the part is included with.

A
B
C
D
E
F
G
H
I
J
L
M
N
O
P

BRM

CORROSION PROTECTION

< REMOVAL AND INSTALLATION >

REMOVAL AND INSTALLATION

CORROSION PROTECTION

Description

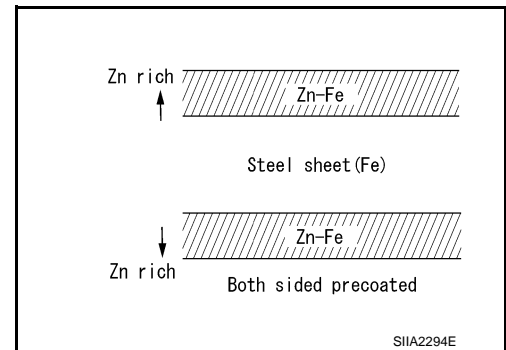
INFOID:000000008453262

To provide improved corrosion prevention, the following anti-corrosive measures have been implemented in NISSAN production plants. When repairing or replacing body panels, it is necessary to use the same anti-corrosive measures.

Anti-Corrosive Precoated Steel (Galvannealed Steel)

To improve repairability and corrosion resistance, a new type of anti-corrosive precoated steel sheet is adopted replacing conventional zinc-coated steel sheet.

Galvannealed steel is electroplated and heated to form Zinc-iron alloy, which provides excellent and long term corrosion resistance with cationic electrodeposition primer.



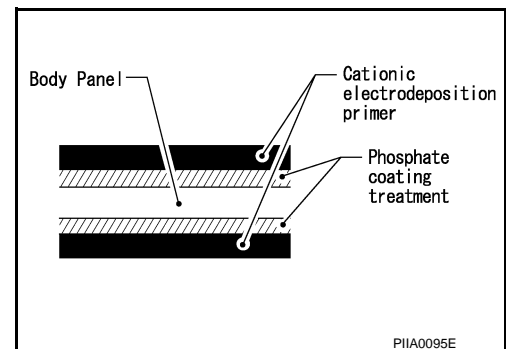
NISSAN genuine parts are fabricated from galvannealed steel. Therefore, it is recommended that NISSAN genuine parts or an equivalent be used for panel replacement to maintain the anti-corrosive performance built into the vehicle at the factory.

Phosphate Coating Treatment and Cationic Electrodeposition Primer

A phosphate coating treatment and a cationic electrodeposition primer, which provide excellent corrosion protection, are applied to all body components.

CAUTION:

Confine paint removal during welding operation to an absolute minimum.



NISSAN genuine parts are also treated in the same manner. Therefore, it is recommended that NISSAN genuine parts or an equivalent be used for panel replacement to maintain anti-corrosive performance built into the vehicle at the factory.

Undercoating

INFOID:000000008453263

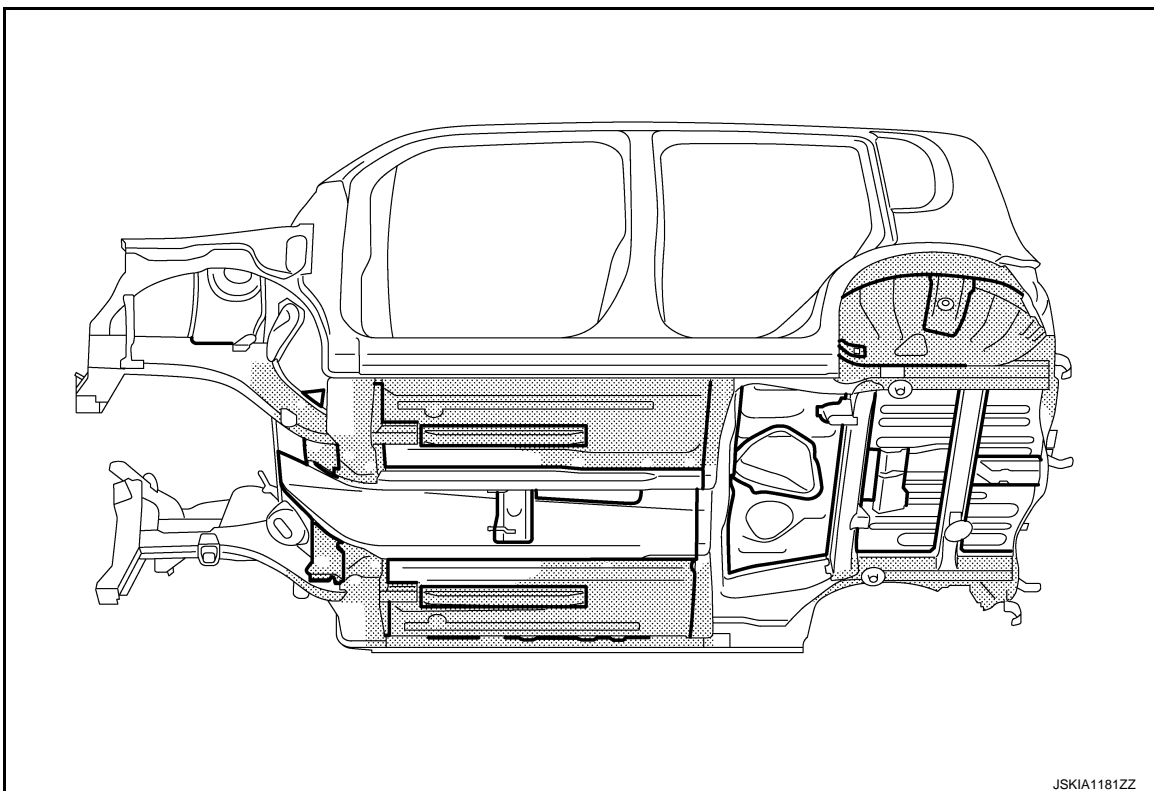
The underside of the floor and wheelhouse are undercoated to prevent rust, vibration, noise and stone chipping. Therefore, when such a panel is replaced or repaired, apply undercoating to that part. Use an undercoating which is rust resistant, soundproof, vibration-proof, shock-resistant, adhesive, and durable.

PRECAUTIONS IN UNDERCOATING

1. Never apply undercoating to any place unless specified (such as the areas above the muffler and three way catalyst that are subjected to heat).
2. Never undercoat the exhaust pipe or other parts that become hot.
3. Never undercoat rotating parts.
4. Apply bitumen wax after applying undercoating.
5. After putting seal on the vehicle, put undercoating on it.

CORROSION PROTECTION

< REMOVAL AND INSTALLATION >



▨: Undercoated areas

—: Sealed portions

Stone Guard Coat

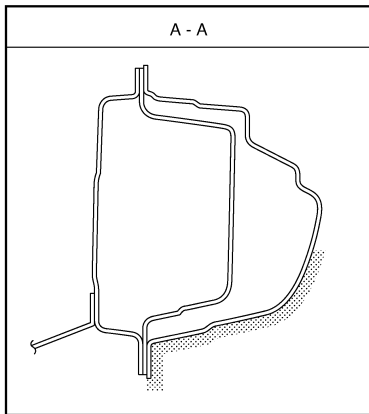
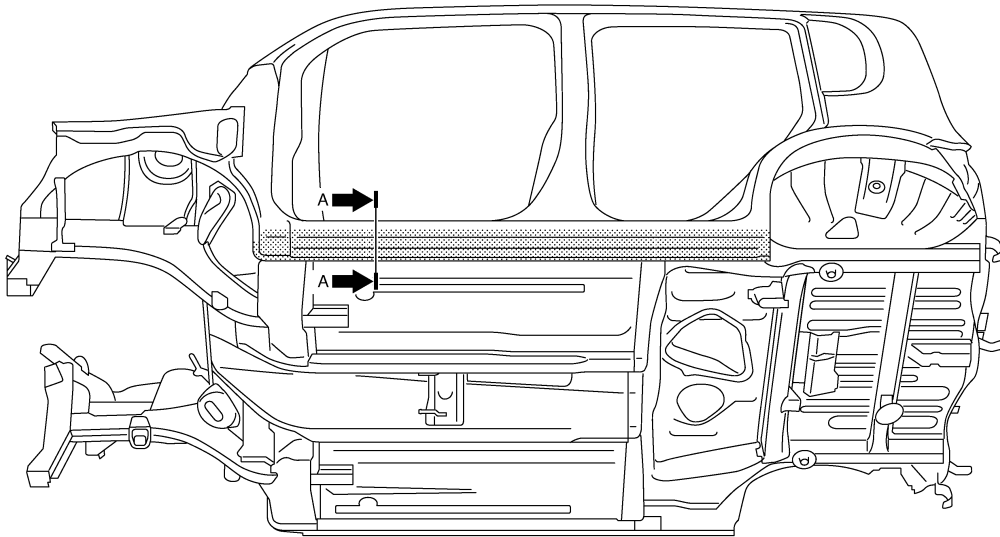
INFOID:000000008453264

To prevent damage caused by stones, the lower outer body panel (fender, door, etc.) have an additional layer of Stone Guard Coating over the ED primer coating. When replacing or repairing these panels, apply Stone Guard coating to the same portions as before. Use a coating which is rust preventive, durable, shock-resistant and has a long shelf life.


BRM

CORROSION PROTECTION

< REMOVAL AND INSTALLATION >



JSKIA1182ZZ

: Stone guard coated portions

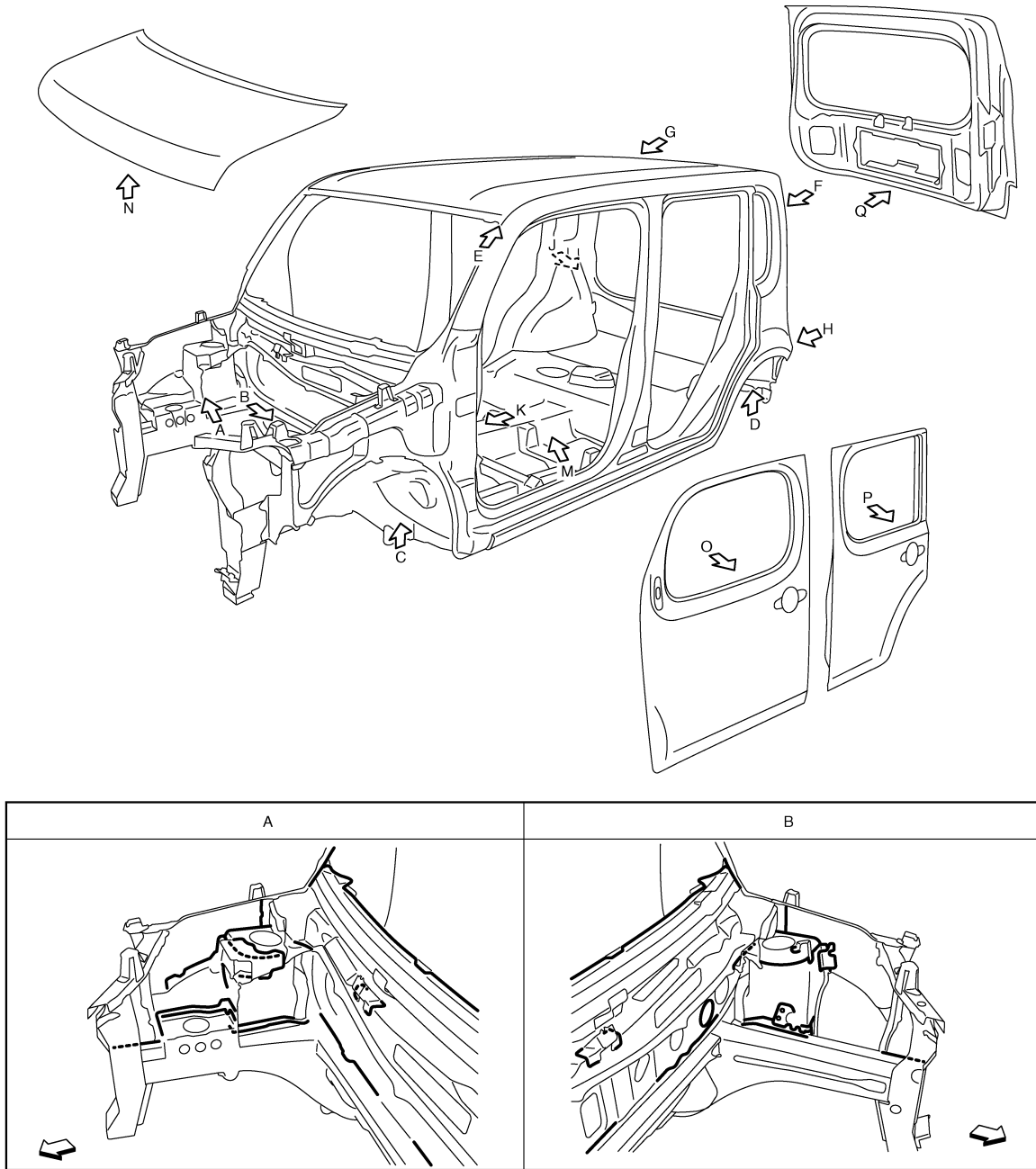
Body Sealing

INFOID:000000008453265

The following figure shows the areas that are sealed at the factory. Sealant that is applied to these areas should be smooth and free from cuts or gaps. Care should be taken not to apply an excess amount of sealant and not to allow other unaffected parts to come into contact with the sealant.

CORROSION PROTECTION

< REMOVAL AND INSTALLATION >



JSKIA1183ZZ

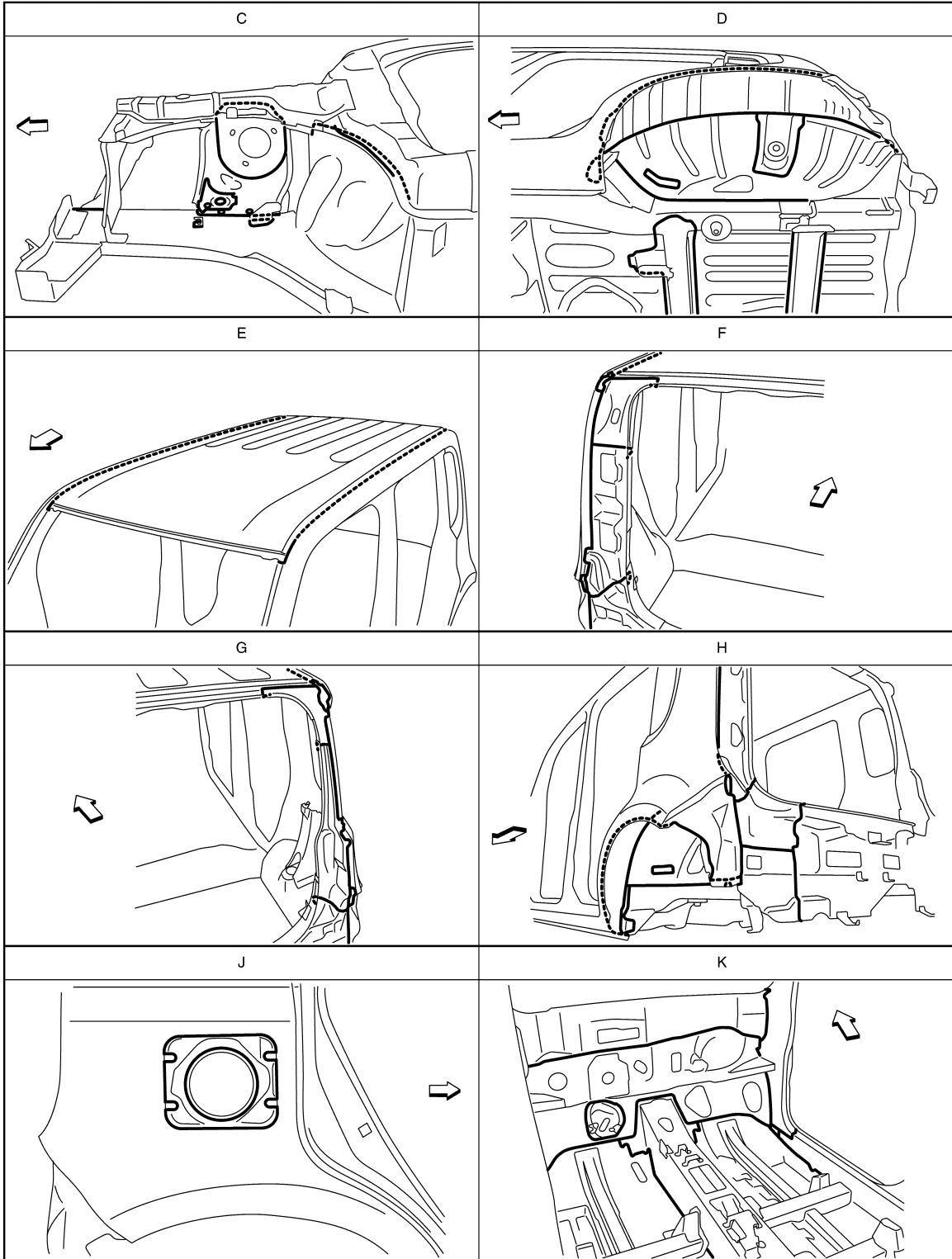
←: Vehicle front
 —: Sealed portions

A
 B
 C
 D
 E
 F
 G
 H
 I
 J
 K
 L
 M
 N
 O
 P

BRM

CORROSION PROTECTION

< REMOVAL AND INSTALLATION >

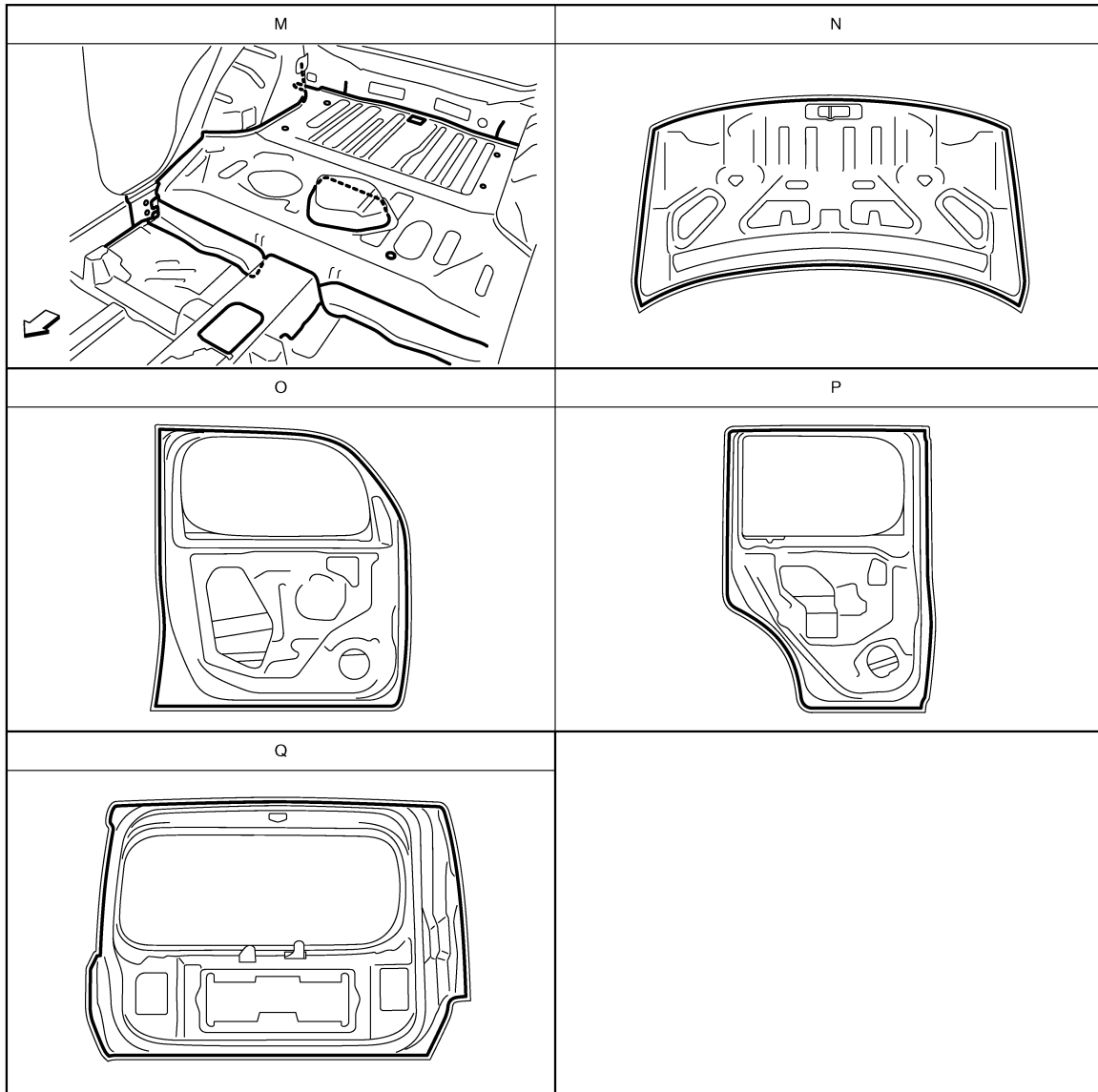


JSKIA2655ZZ

↶: Vehicle front
—: Sealed portions

CORROSION PROTECTION

< REMOVAL AND INSTALLATION >



A
B
C
D
E
F
G
H
I
J
L
M
N
O
P

BRM

JSKIA1185ZZ

←: Vehicle front
—: Sealed portions

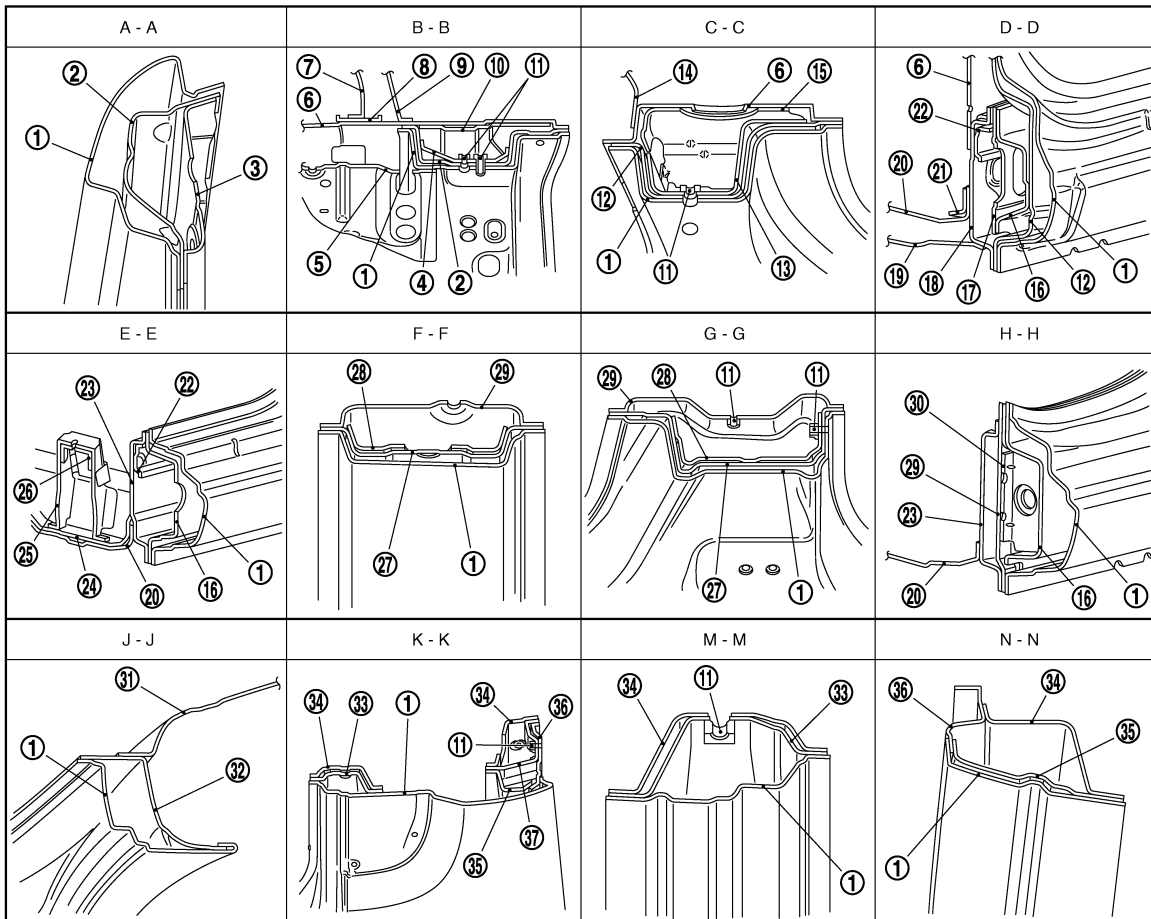
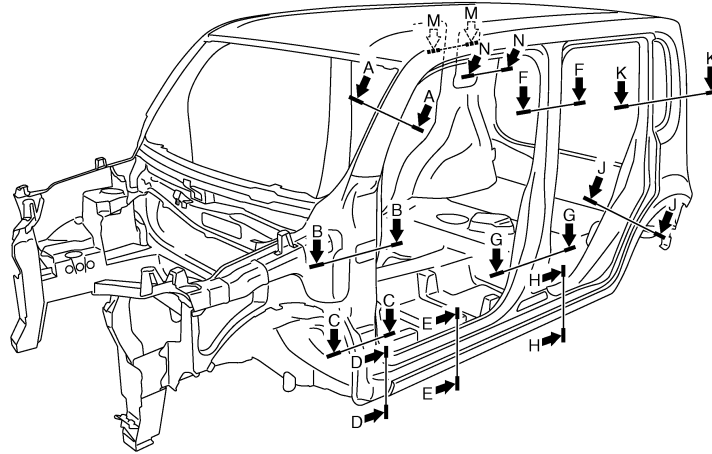
BODY CONSTRUCTION

< REMOVAL AND INSTALLATION >

BODY CONSTRUCTION

Body Construction

INFOID:000000008453266



- 1. Outer side body
- 4. Upper hinge plate
- 7. Cowl top

- 2. Outer front pillar reinforcement
- 5. Hoodledge reinforcement
- 8. Cowl top stay

- 3. Upper inner front pillar
- 6. Side dash
- 9. Upper dash

JSKIA1186ZZ

BODY CONSTRUCTION

< REMOVAL AND INSTALLATION >

- | | | |
|--------------------------------------|--|--------------------------------------|
| 10. Inner front pillar reinforcement | 11. Weld nut | 12. Lower front pillar hinge brace |
| 13. Lower hinge plate | 14. Lower dash | 15. Inner front pillar reinforcement |
| 16. Outer sill reinforcement | 17. Lower front pillar reinforcement | 18. Inner sill |
| 19. Front outrigger | 20. Front floor | 21. Front floor reinforcement |
| 22. Inner sill reinforcement | 23. Inner sill | 24. 2nd crossmember |
| 25. Outer front seat mount bracket | 26. Outer front seat mount front reinforcement | 27. Center pillar reinforcement |
| 28. Lower lock pillar reinforcement | 29. Inner center pillar | 30. Outer sill brace |
| 31. Inner rear wheelhouse | 32. Outer rear wheelhouse | 33. Rear pillar seat belt anchor |
| 34. Inner rear pillar | 35. Back pillar reinforcement | 36. Lower outer back pillar |
| 37. Upper hinge brace | | |

Rear Fender Hemming Process

INFOID:000000008453267

1. A wheel arch is to be installed and hemmed over the left and right outer wheel houses.
2. In order to hem the wheel arch, it is necessary to repair any damaged or defaced parts around outer wheel house.

CAUTION:

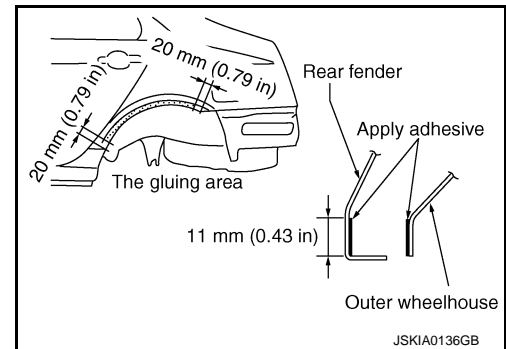
Ensure that the area that is to be glued around the outer wheelhouse is undamaged or defaced.

PROCEDURE OF THE HEMMING PROCESS

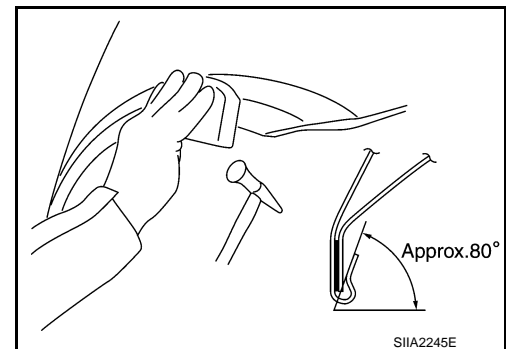
- Peel off old bonding material on the surface of the outer wheelhouse and clean thoroughly.
- Peel off a primer coat in the specified area where new adhesive is to be applied on rear fender (the replacing part).
- Apply new adhesive to both specified areas of the outer wheelhouse and rear fender.

<Adhesive> 3M™ Automix™ Panel Bonding Adhesive 08115 or equivalent

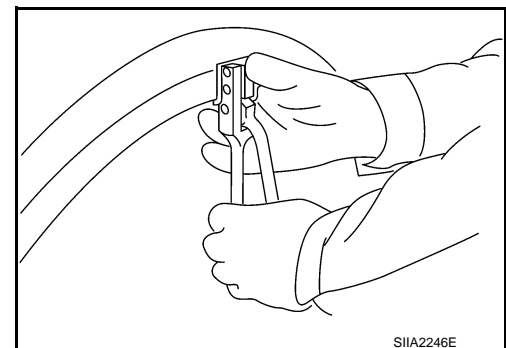
- Attach rear fender to the body of the car, and weld the required part except the hemming part.



- Bend the welded part starting from the center of the wheel arch gradually with a hammer and a dolly. (Also hem the end of the flange.)
- Hemming with a hammer is conducted to an approximate angle of 80 degrees.



- Starting from the center, hem the wheel arch gradually, using slight back and forth motion with a hemming tool.

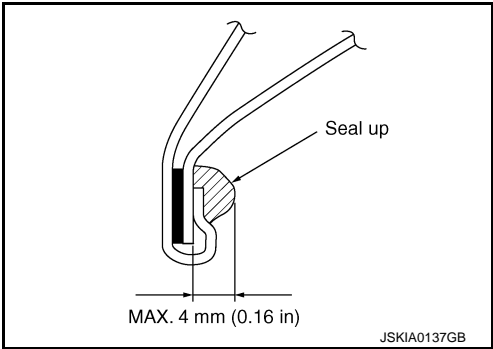


A
B
C
D
E
F
G
H
I
J
BRM
L
M
N
O
P

BODY CONSTRUCTION

< REMOVAL AND INSTALLATION >

- Seal up the area around the hemmed end of the flange.



REPLACEMENT OPERATIONS

< REMOVAL AND INSTALLATION >

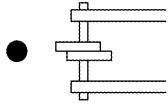
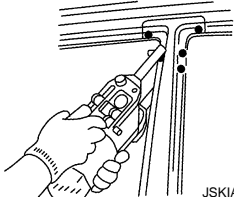
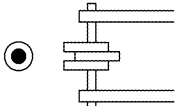
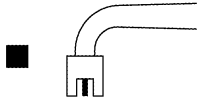

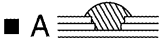
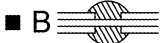
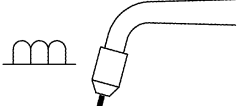
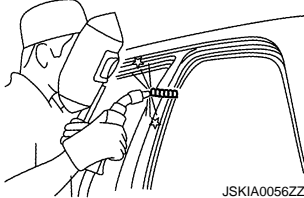
REPLACEMENT OPERATIONS

Description

INFOID:000000008453268

- This section is prepared for technicians who have attained a high level of skill and experience in repairing collision-damaged vehicles and also use modern service tools and equipment. Persons unfamiliar with body repair techniques should not attempt to repair collision-damaged vehicles by using this section.
- Technicians are also encouraged to read the Body Repair Manual (Fundamentals) in order to ensure that the original functions and quality of the vehicle are maintained. The Body Repair Manual (Fundamentals) contains additional information, including cautions and warnings, that are not including in this manual. Technicians should refer to both manuals to ensure proper repair.
- Please note that this information is prepared for worldwide usage, and as such, certain procedures might not apply in some regions or countries.

The symbols used in this section for welding operations are shown below.

Symbol marks	Description	
 <p data-bbox="402 844 490 861">JSKIA0049ZZ</p>	2-spot welds	 <p data-bbox="1291 970 1377 987">JSKIA0053ZZ</p>
 <p data-bbox="402 1096 490 1113">JSKIA0050ZZ</p>	3-spot welds	
 <p data-bbox="402 1474 490 1491">JSKIA0051ZZ</p>	MIG plug weld	 <p data-bbox="1291 1348 1377 1365">JSKIA0054ZZ</p> <p data-bbox="1006 1381 1323 1407">For 3 panels plug weld method</p> <div style="display: flex; flex-direction: column; align-items: center;"> <div data-bbox="1144 1438 1307 1480">  <p data-bbox="1161 1449 1193 1470">A</p> </div> <div data-bbox="1144 1533 1307 1575">  <p data-bbox="1161 1543 1193 1564">B</p> </div> </div> <p data-bbox="1291 1600 1377 1617">JSKIA0055ZZ</p>
 <p data-bbox="402 1852 490 1869">JSKIA0052ZZ</p>	MIG seam weld / Point weld	 <p data-bbox="1291 1852 1377 1869">JSKIA0056ZZ</p>

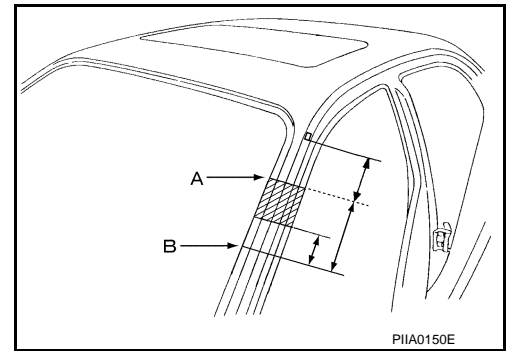
A
B
C
D
E
F
G
H
I
J
L
M
N
O
P

BRM

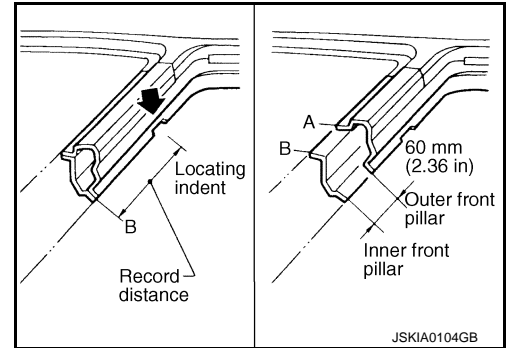
REPLACEMENT OPERATIONS

< REMOVAL AND INSTALLATION >

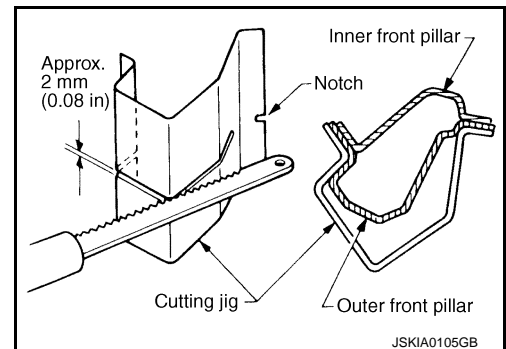
- Front pillar butt joint can be determined anywhere within shaded area as shown in the figure. The best location for the butt joint is at position A due to the construction of the vehicle.



- Determine cutting position and record distance from the locating indent. Use this distance when cutting the service part. Cut outer front pillar over 60 mm (2.36 in) above the inner front pillar cut position.

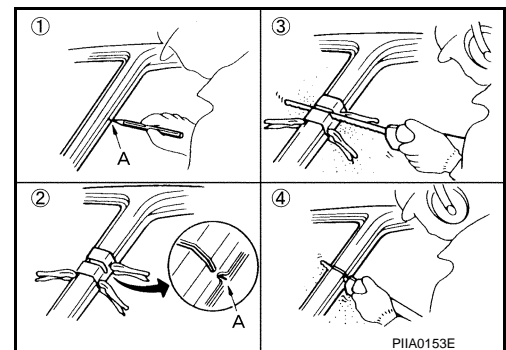


- Prepare a cutting jig to make outer pillar easier to cut. Also, this will permit the service part to be accurately cut at the joint position.



- An example of cutting operation using a cutting jig is as per the following.

1. Mark cutting lines.
A: Cut position of outer pillar
B: Cut position of inner pillar
2. Align cutting line with notch on jig. Clamp jig to pillar.
3. Cut outer pillar along groove of jig (at position A).
4. Remove jig and cut remaining portions.
5. Cut inner pillar at position B in same manner.

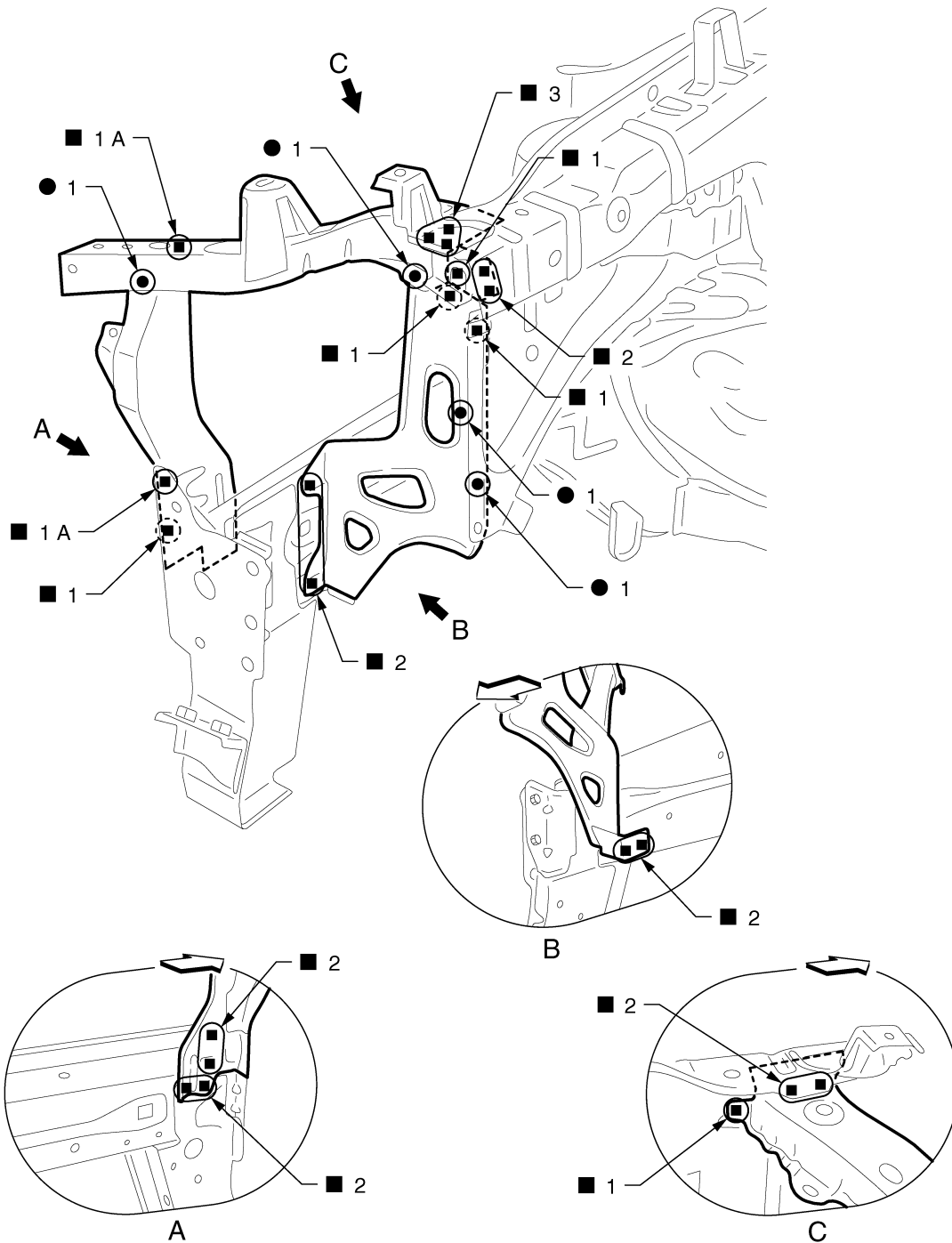


REPLACEMENT OPERATIONS

< REMOVAL AND INSTALLATION >

Radiator Core Support

INFOID:000000008453269



A
B
C
D
E
F
G
H
I
J
K
L
M
N
O
P

BRM

← Vehicle front

(): Weld the parts onto the back of the component part.

Replacement parts

- Side radiator core support (LH)
- Side radiator core reinforcement (LH)
- Hoodledge connector (LH)

Hoodledge

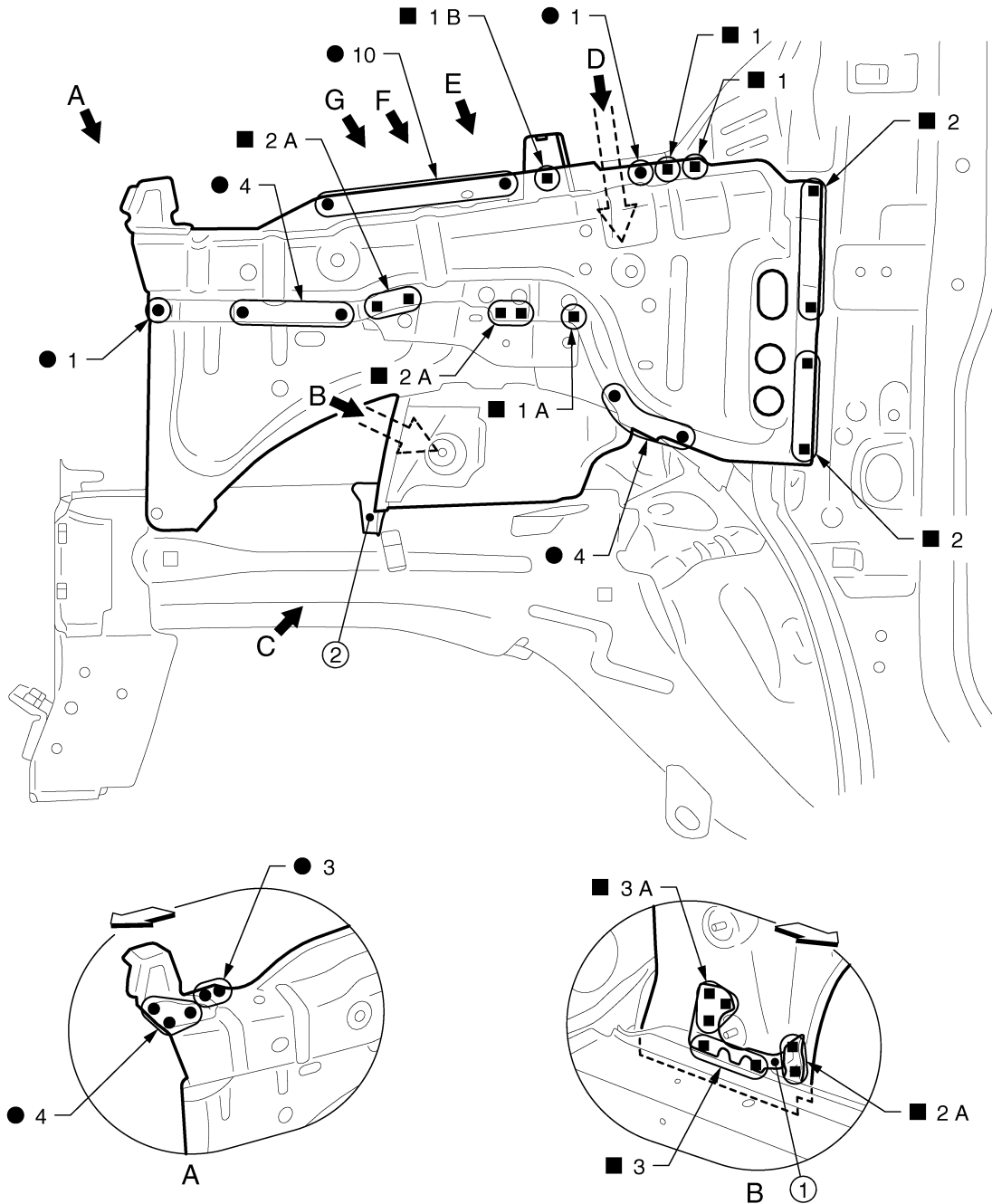
INFOID:000000008453270

Work after radiator core support is removed.

REPLACEMENT OPERATIONS

< REMOVAL AND INSTALLATION >

Remove the front side closing plate reinforcement (reusable) and front side rear closing reinforcement (reusable).



JSKIA2656ZZ

- 1. Front side closing plate reinforcement
- 2. Front side rear closing reinforcement

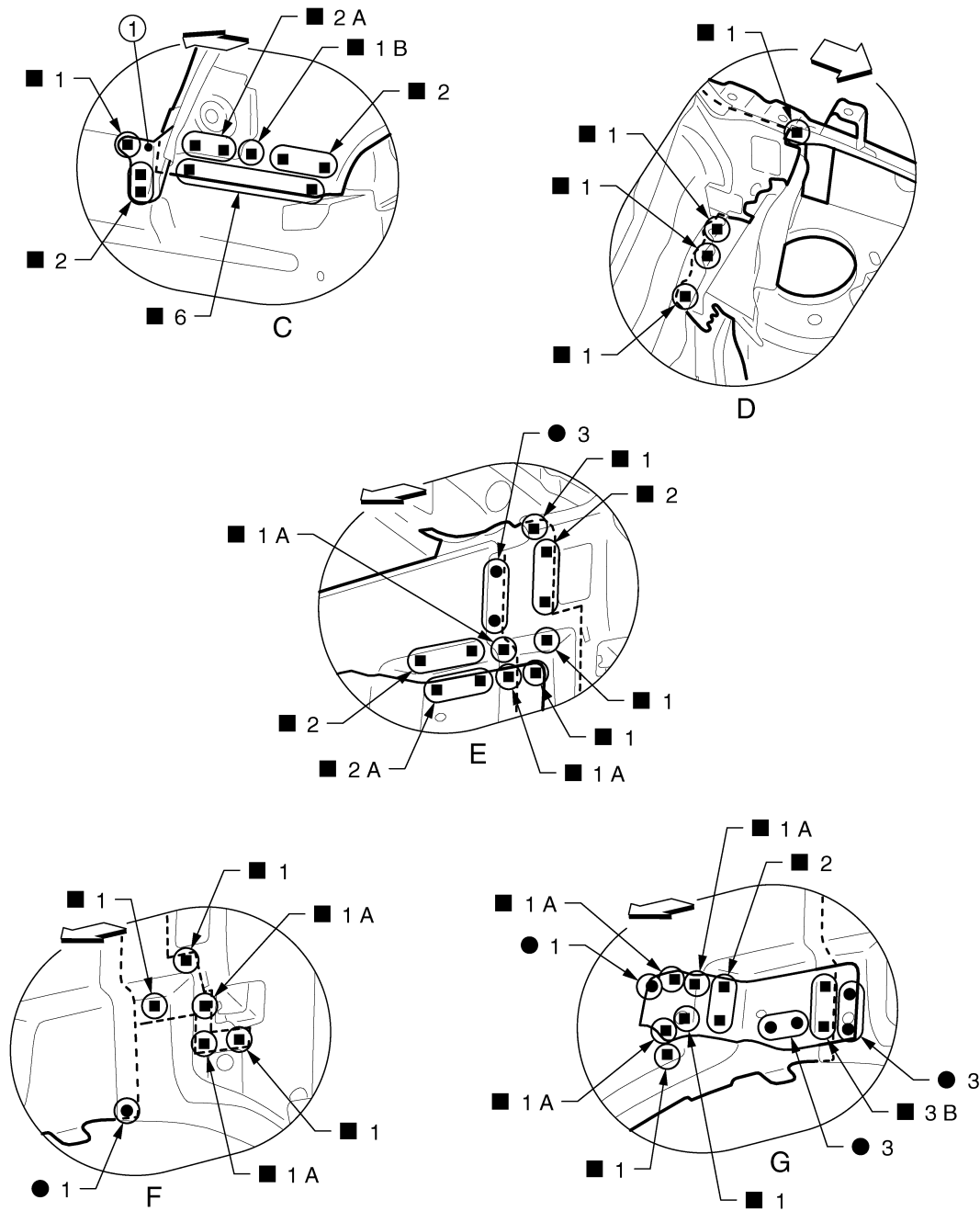
←: Vehicle front

Replacement parts

- Upper hoodledge (LH)
- Hoodledge reinforcement (LH)
- Front strut housing (LH)
- Hoodledge reinforcement gusset

REPLACEMENT OPERATIONS

< REMOVAL AND INSTALLATION >



JSKIA1152ZZ

1. Front side rear closing reinforcement

↔: Vehicle front

View E and G: Before installing hoodledge reinforcement

View F: Before installing hoodledge reinforcement and hoodledge reinforcement gusset

Hoodledge (Partial Replacement)

INFOID:000000008453271

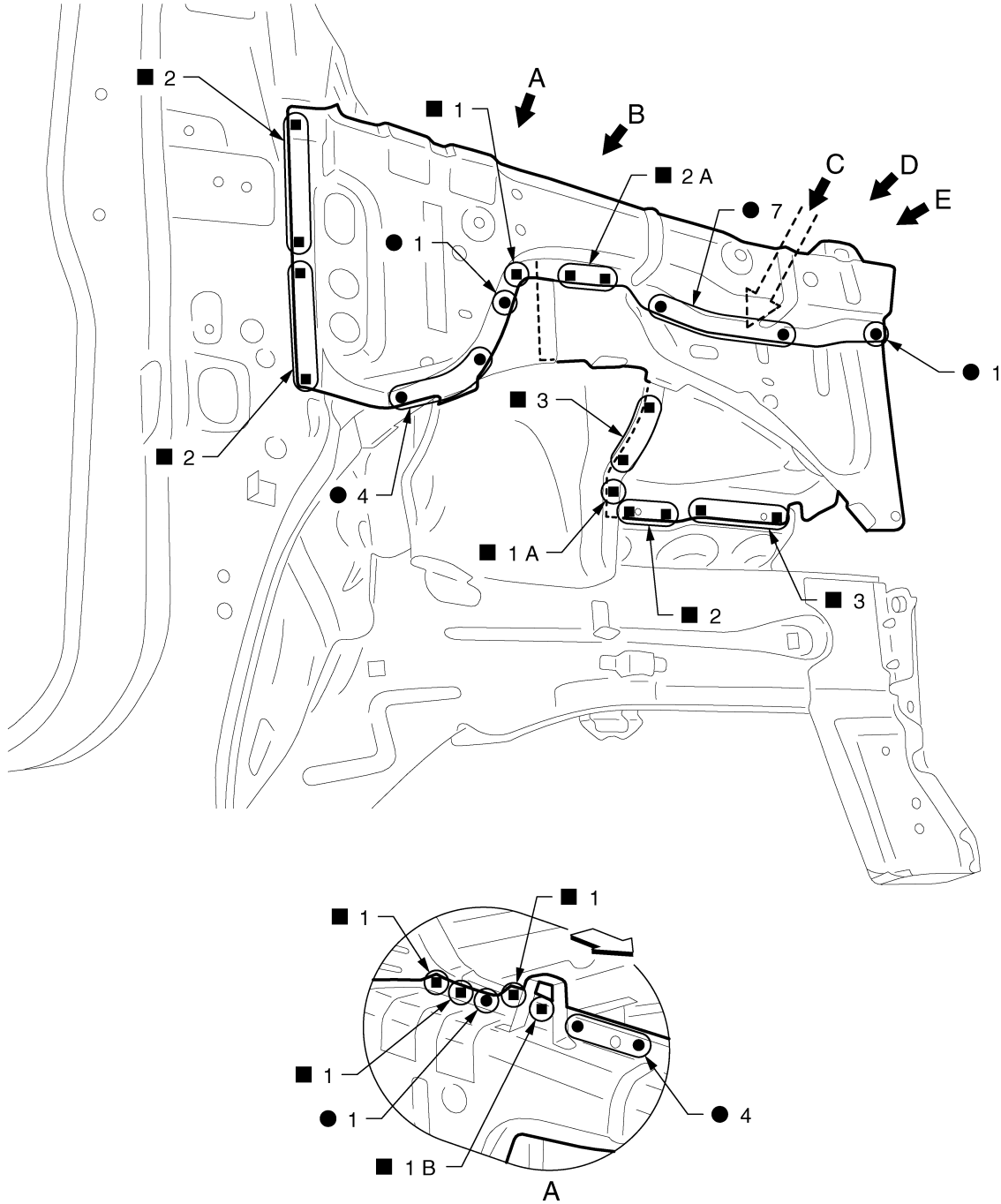
Work after radiator core support is removed.

A
B
C
D
E
F
G
H
I
J
K
L
M
N
O
P

BRM

REPLACEMENT OPERATIONS

< REMOVAL AND INSTALLATION >



JSKIA2657ZZ

↔: Vehicle front

Replacement parts

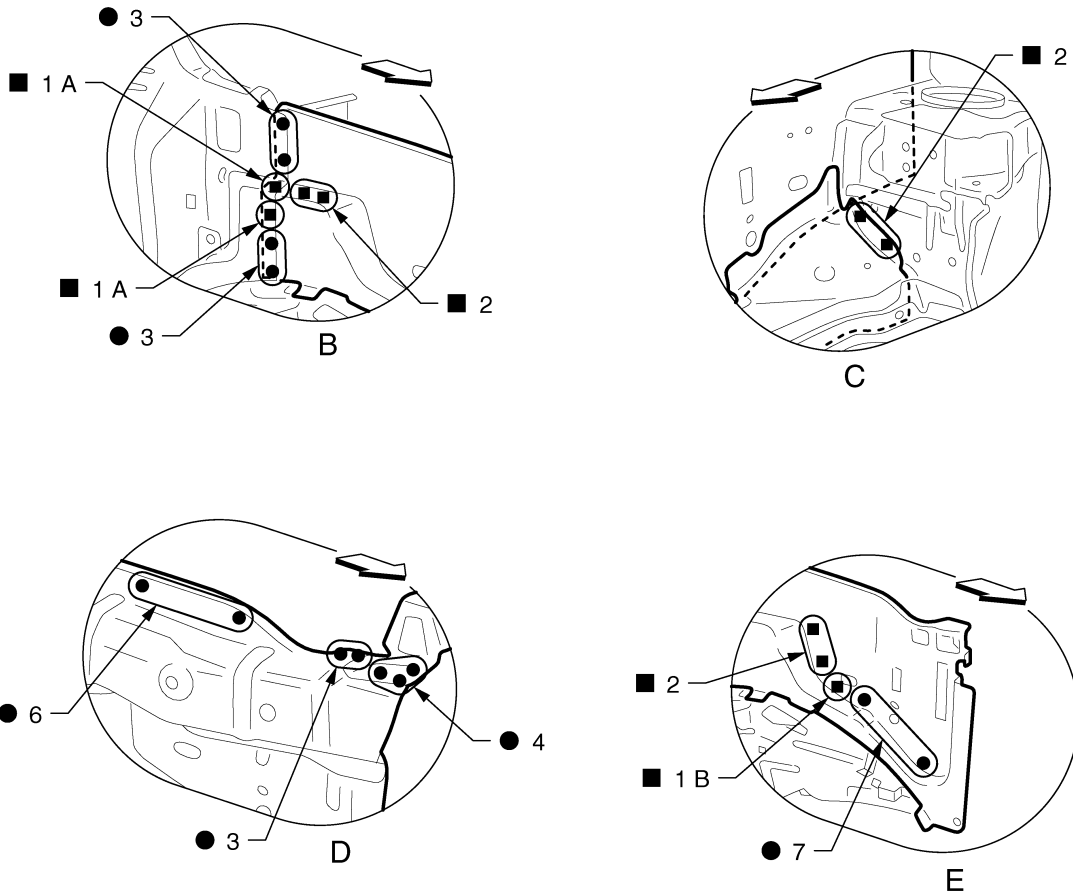
● Upper hoodedge (RH)

● Hoodedge reinforcement (RH)

● Lower front hoodedge

REPLACEMENT OPERATIONS

< REMOVAL AND INSTALLATION >



A
B
C
D
E
F
G
H
I
J

BRM

L
M
N
O

P

JSKIA2658ZZ

←: Vehicle front

View B and E: Before installing hoodledge reinforcement

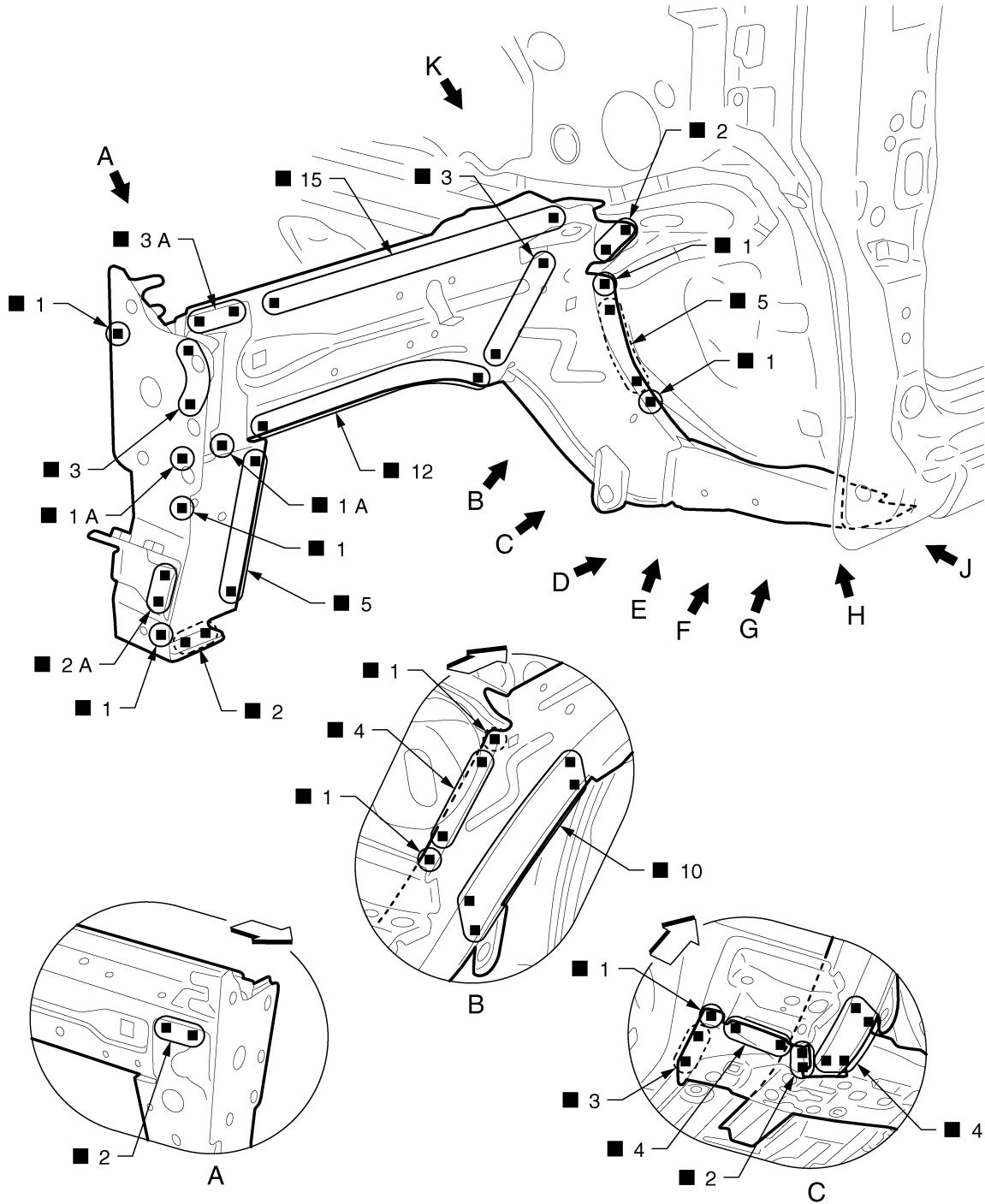
Front Side Member

INFOID:000000008453272

Work after radiator core support and hoodledge are removed.
Remove the front side closing plate reinforcement (reusable) and front side rear closing reinforcement (reusable) from the service part "front side member closing plate assembly" for easier installation of hoodledge.

REPLACEMENT OPERATIONS

< REMOVAL AND INSTALLATION >



JSKIA1155ZZ

← Vehicle front

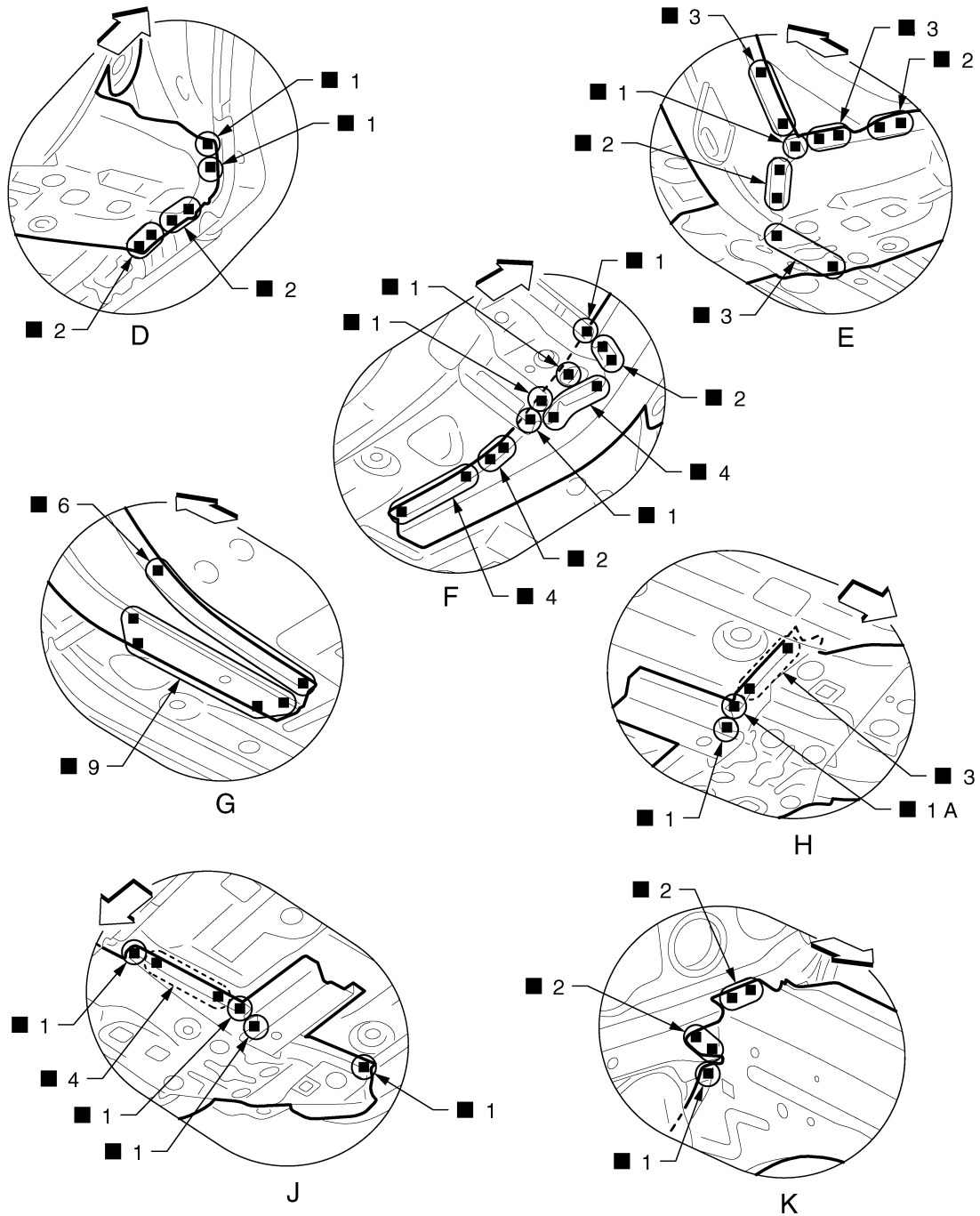
○ Weld the parts onto the back of the component part.

Replacement parts

- Front side member assembly (LH)
- Front side member closing plate assembly (LH)
- Front suspension mounting bracket (LH)

REPLACEMENT OPERATIONS

< REMOVAL AND INSTALLATION >



← Vehicle front

○: Weld the parts onto the back of the component part.

View F and G: Before installing front suspension mounting bracket
Front Side Member (Partial Replacement)

Work after radiator core support is removed.

JSKIA1156ZZ

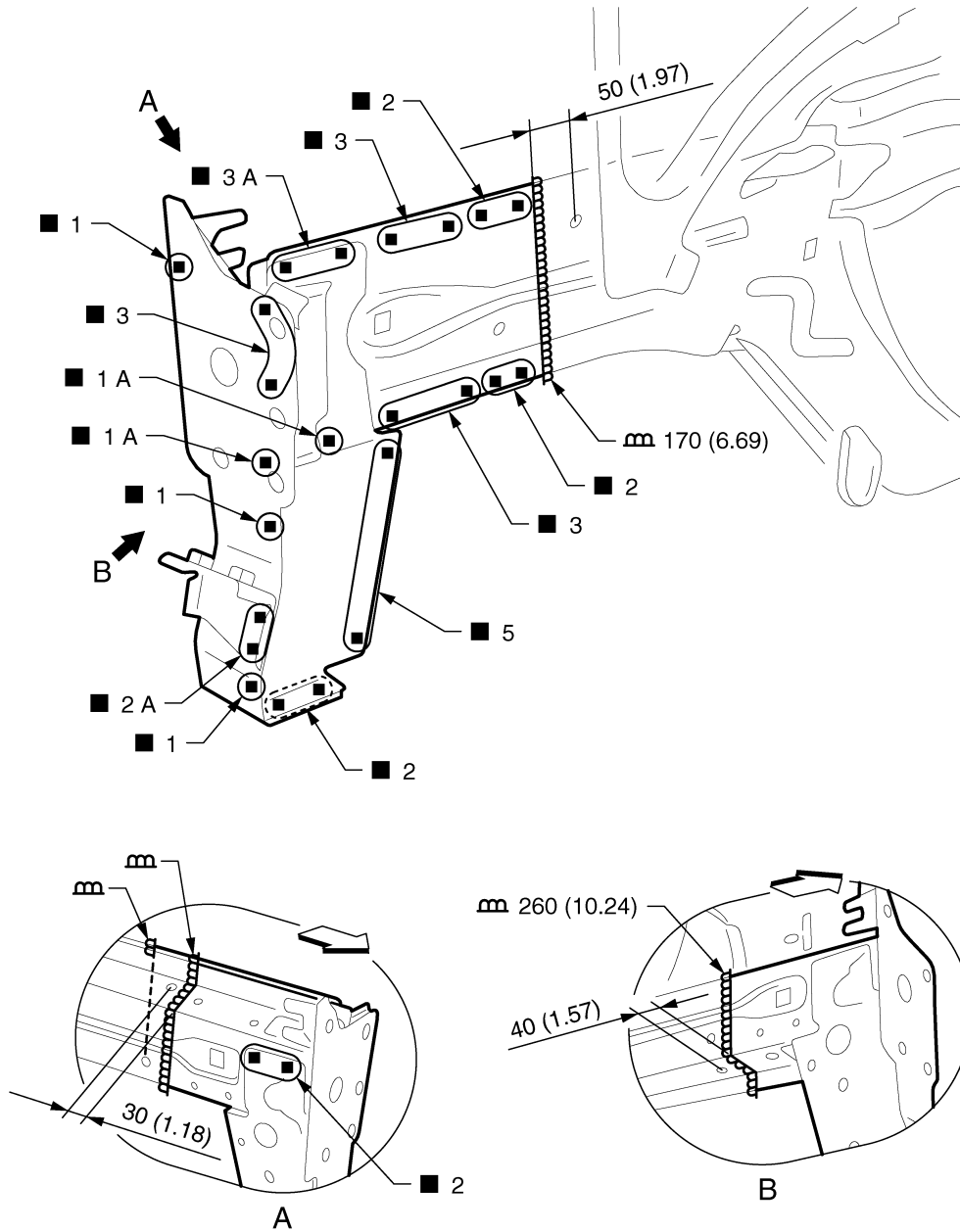
INFOID:000000008453273

A
B
C
D
E
F
G
H
I
J
K
L
M
N
O
P

BRM

REPLACEMENT OPERATIONS

< REMOVAL AND INSTALLATION >



JSKIA1157GB

Unit: mm (in)

↔: Vehicle front

○: Weld the parts onto the back of the component part.

Replacement parts

- Front side member assembly (LH)
- Front side member closing plate assembly (LH)

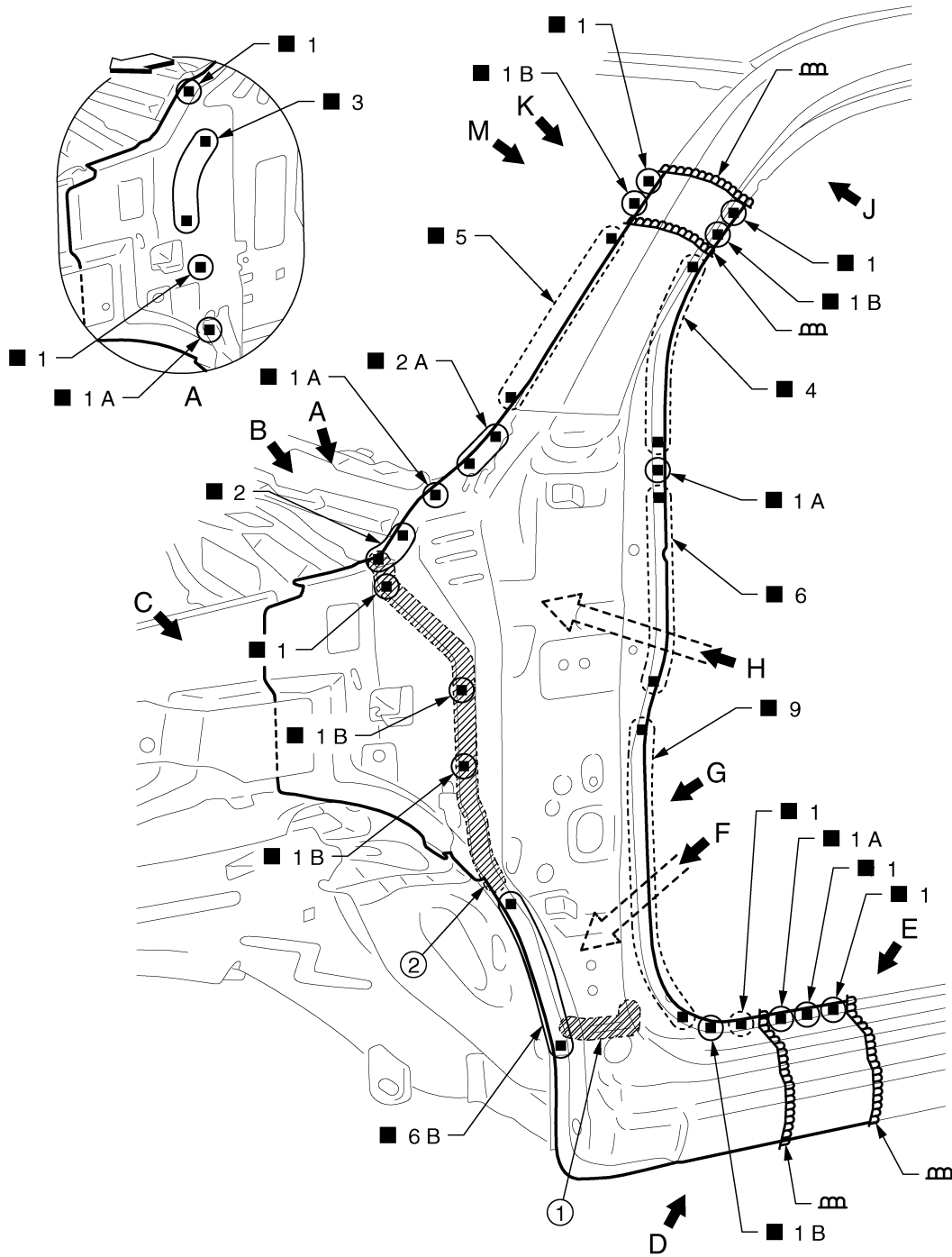
Front Pillar

INFOID:000000008453274

Work after hoodledge reinforcement is removed.

REPLACEMENT OPERATIONS

< REMOVAL AND INSTALLATION >



JSKIA1158ZZ

1. Urethane foam

2. Body sealing

⇐: Vehicle front

⊙: Weld the parts onto the back of the component part.

Replacement parts

● Side body assembly (LH)

● Side dash (LH)

● Upper inner front pillar (LH)

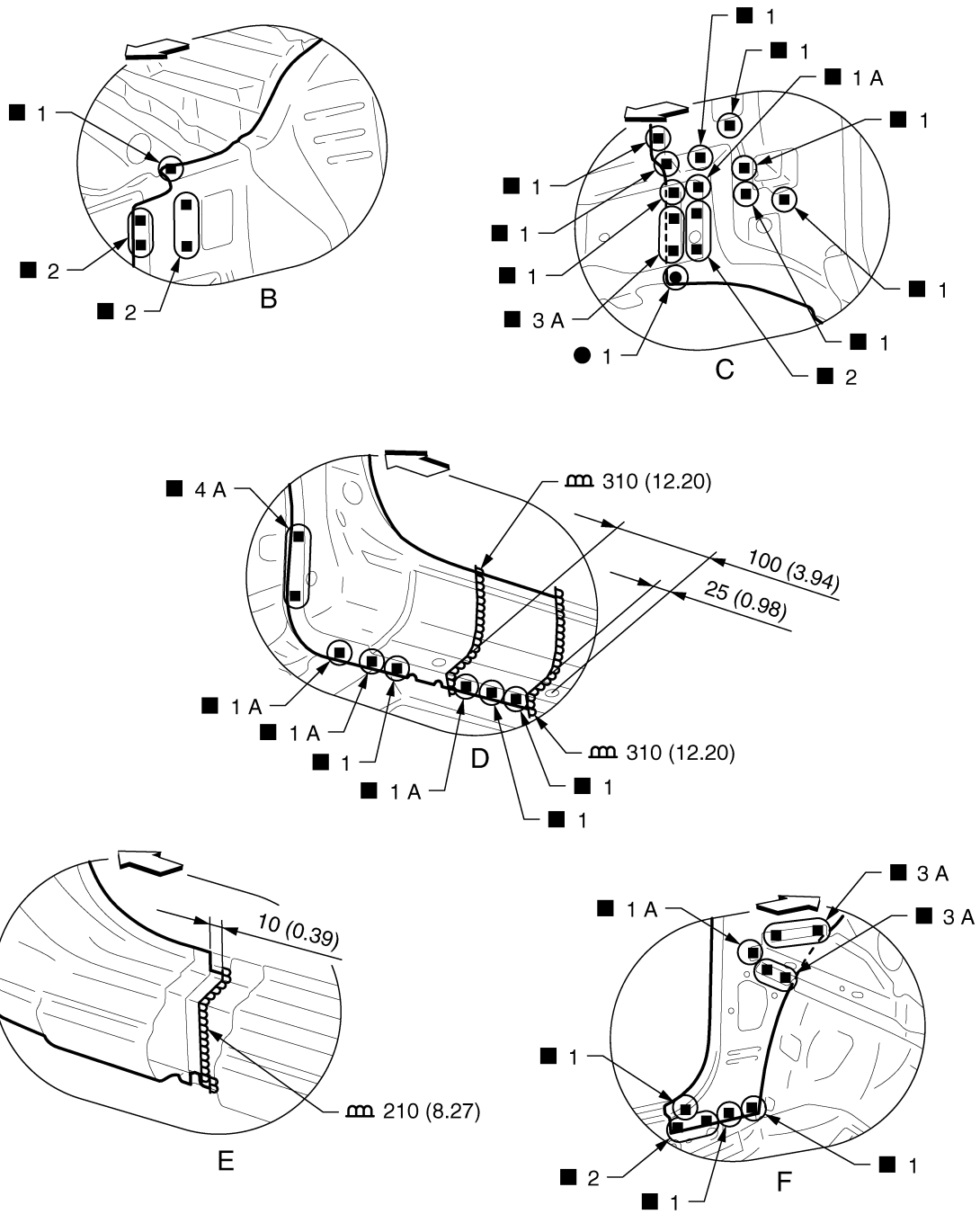
View A: Before installing side body assembly

A
B
C
D
E
F
G
H
I
J
K
L
M
N
O
P

BRM

REPLACEMENT OPERATIONS

< REMOVAL AND INSTALLATION >



JSKIA1159GB

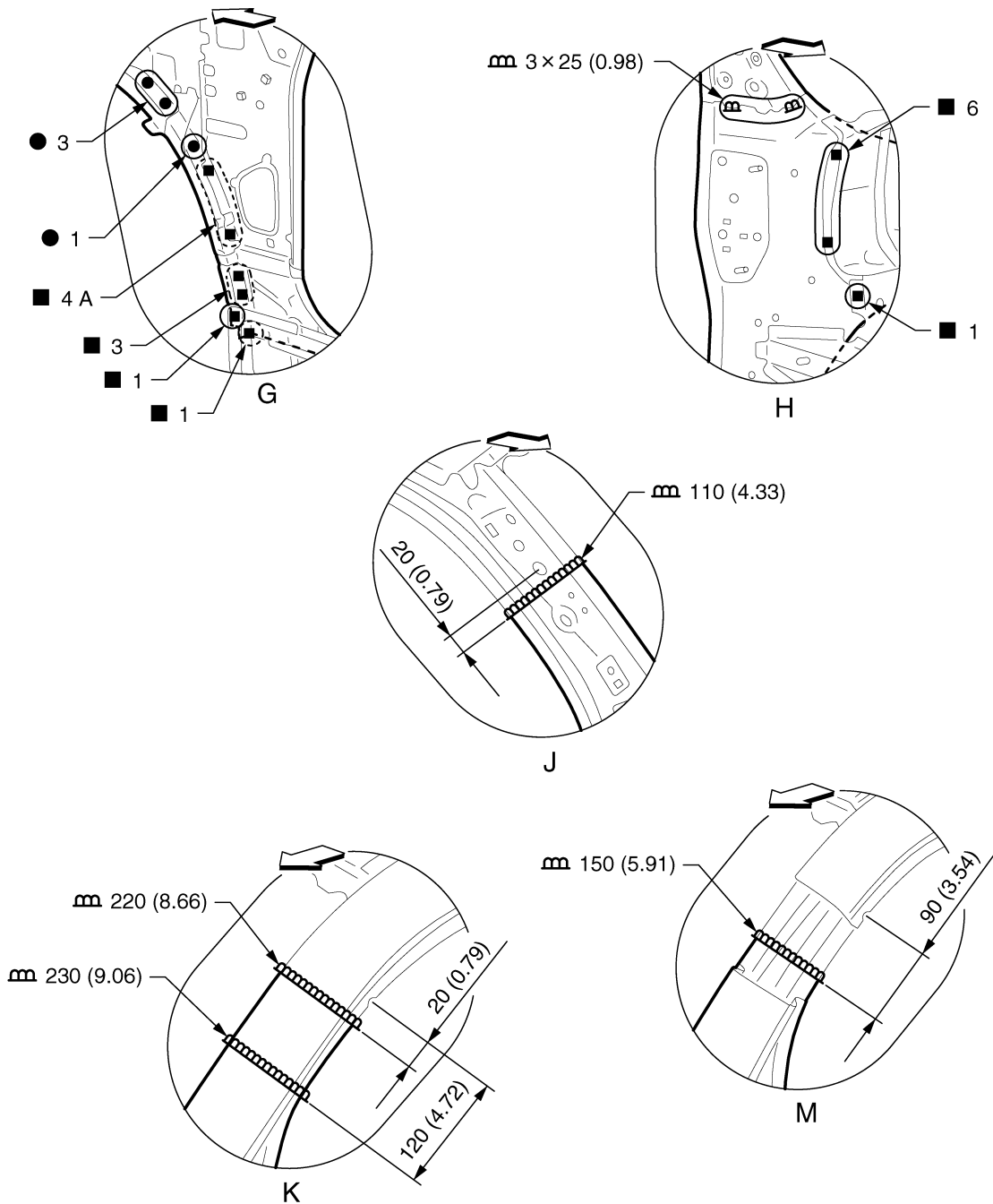
Unit: mm (in)

↔: Vehicle front

View E: Before installing outer front side body

REPLACEMENT OPERATIONS

< REMOVAL AND INSTALLATION >



JSKIA2659GB

Unit: mm (in)

⇐: Vehicle front

○: Weld the parts onto the back of the component part.

View G: Before installing side body assembly

View M: Before installing outer front side body

Center Pillar

INFOID:000000008453275

Never cut and joint the lower lock pillar reinforcement, because it is made of ultra high strength steel plate. Remove the reusable area of the outer front side body (see View J and K) from the vehicle for easier installation.

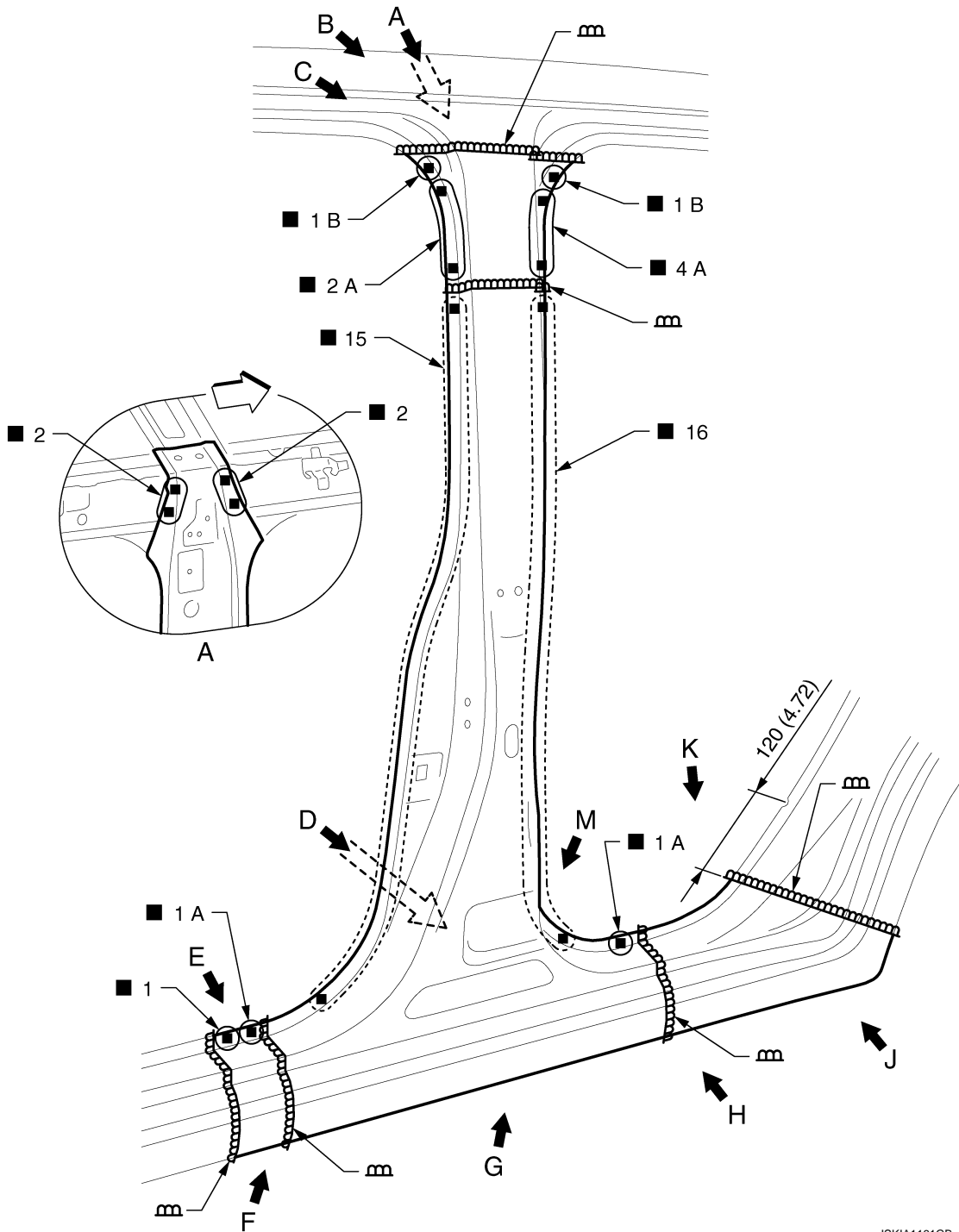
A
B
C
D
E
F
G
H
I
J
K
L
M
N
O
P

BRM

REPLACEMENT OPERATIONS

< REMOVAL AND INSTALLATION >

Install the inner center pillar to the side body assembly as shown in the figure for repairing the hidden welding point "View M".



JSKIA1161GB

Unit: mm (in)

◀ Vehicle front

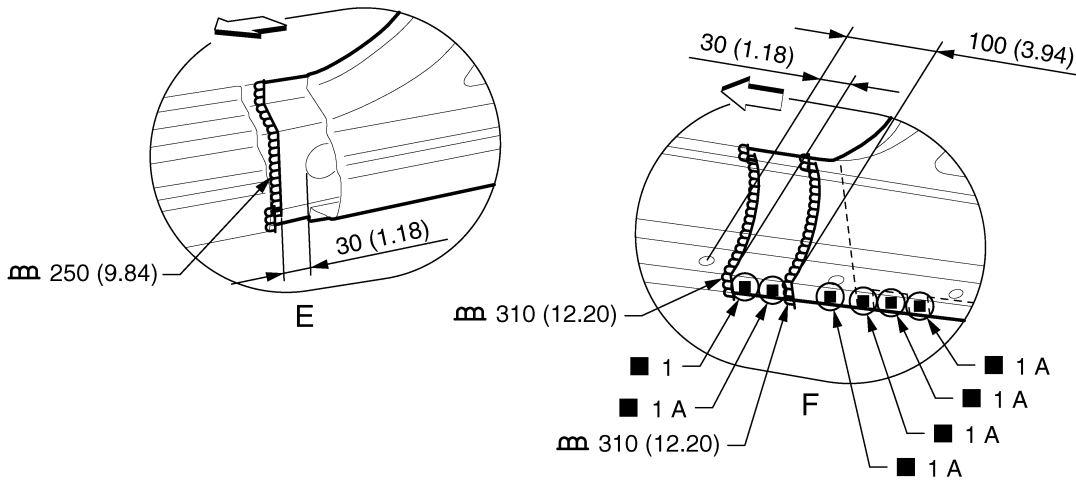
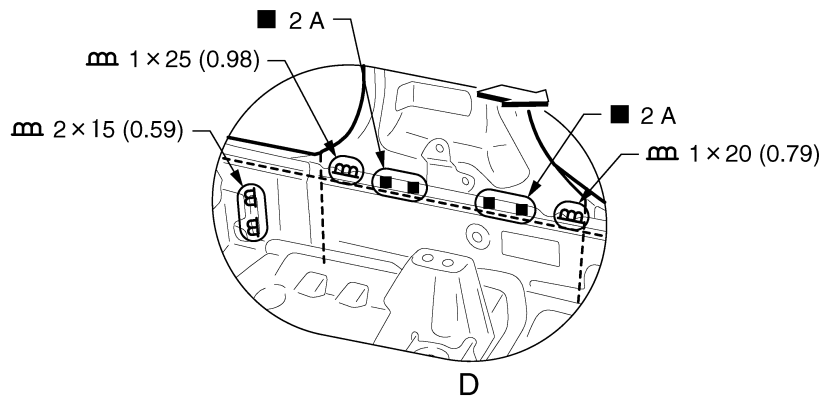
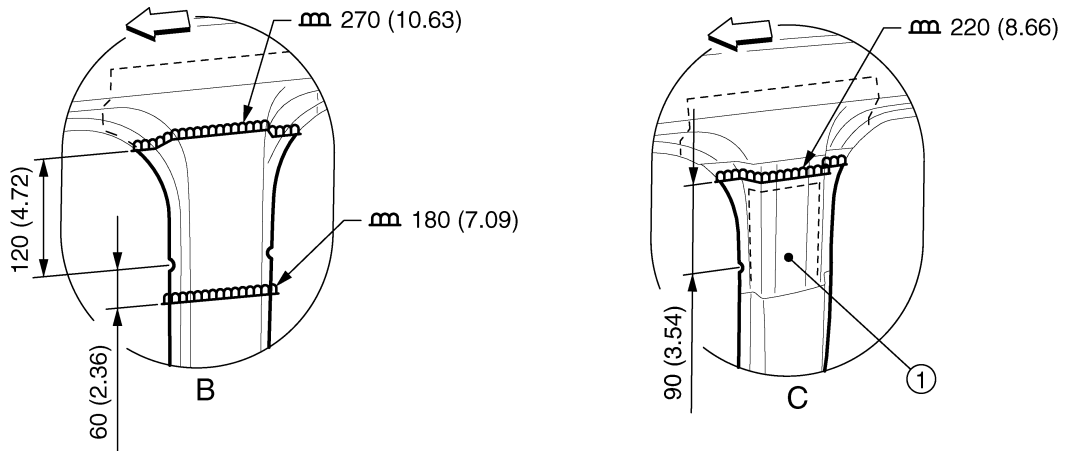
(○): Weld the parts onto the back of the component part.

Replacement parts

- Side body assembly (LH)
- Inner center pillar (LH)

REPLACEMENT OPERATIONS

< REMOVAL AND INSTALLATION >



JSKIA1162GB

1. Lower lock pillar reinforcement (ultra high strength steel plate)

Unit: mm (in)

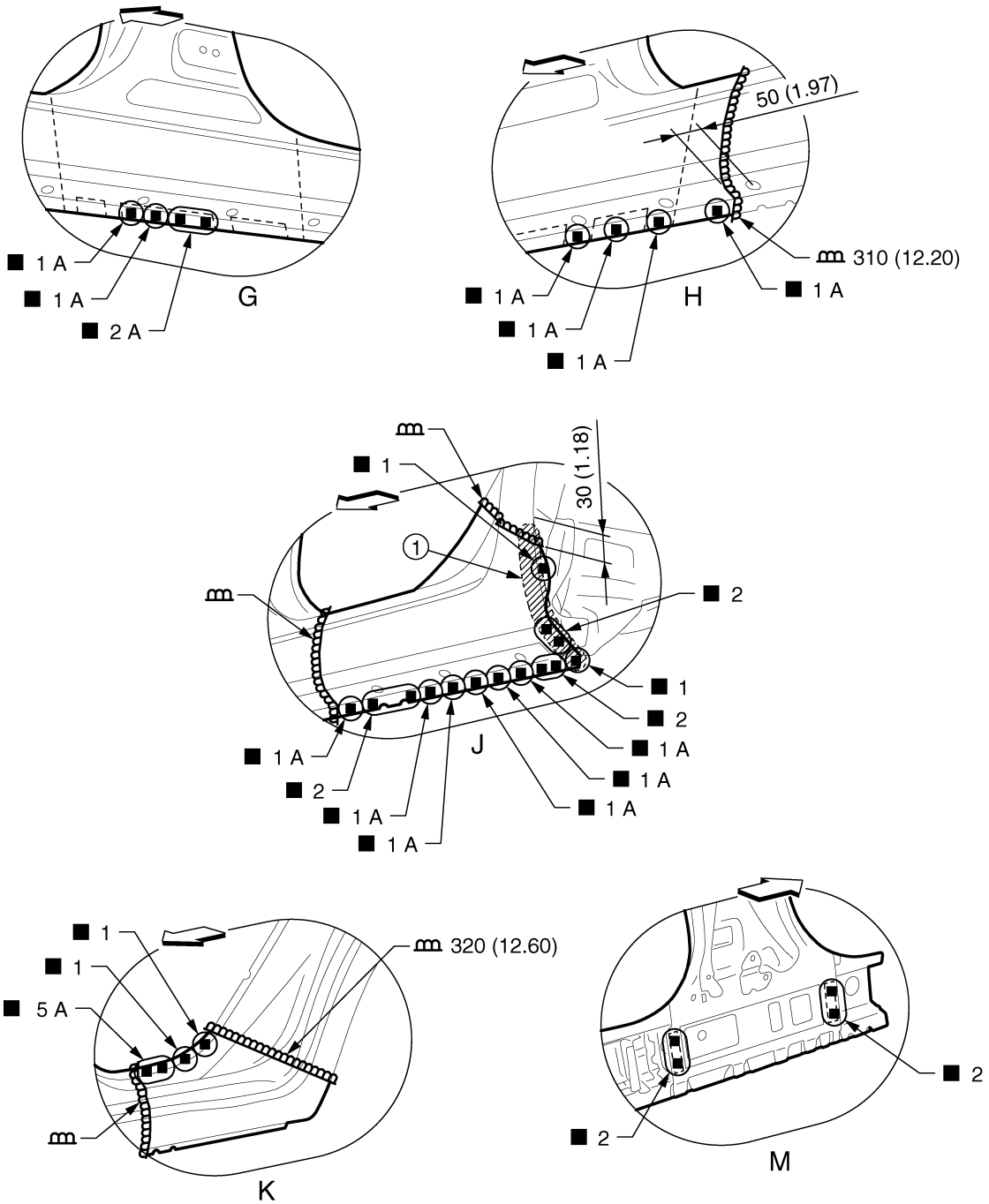
↔: Vehicle front

View C and E: Before installing outer front side body

A
B
C
D
E
F
G
H
I
J
BRM
L
M
N
O
P

REPLACEMENT OPERATIONS

< REMOVAL AND INSTALLATION >



JSKIA1163GB

1. Body sealing

Unit: mm (in)

↔: Vehicle front

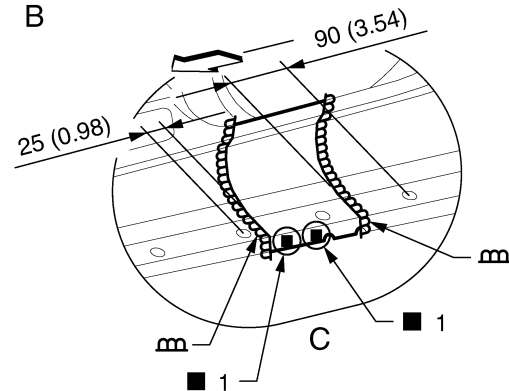
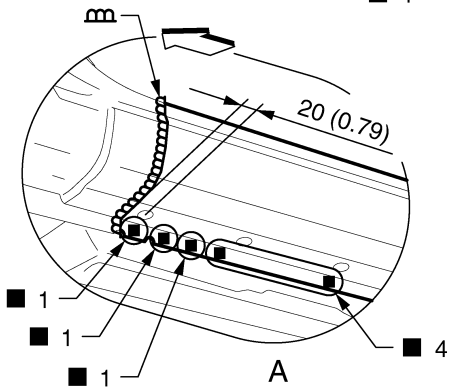
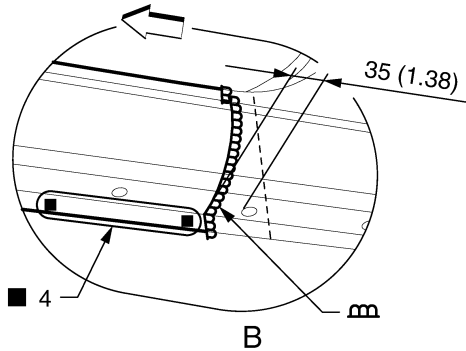
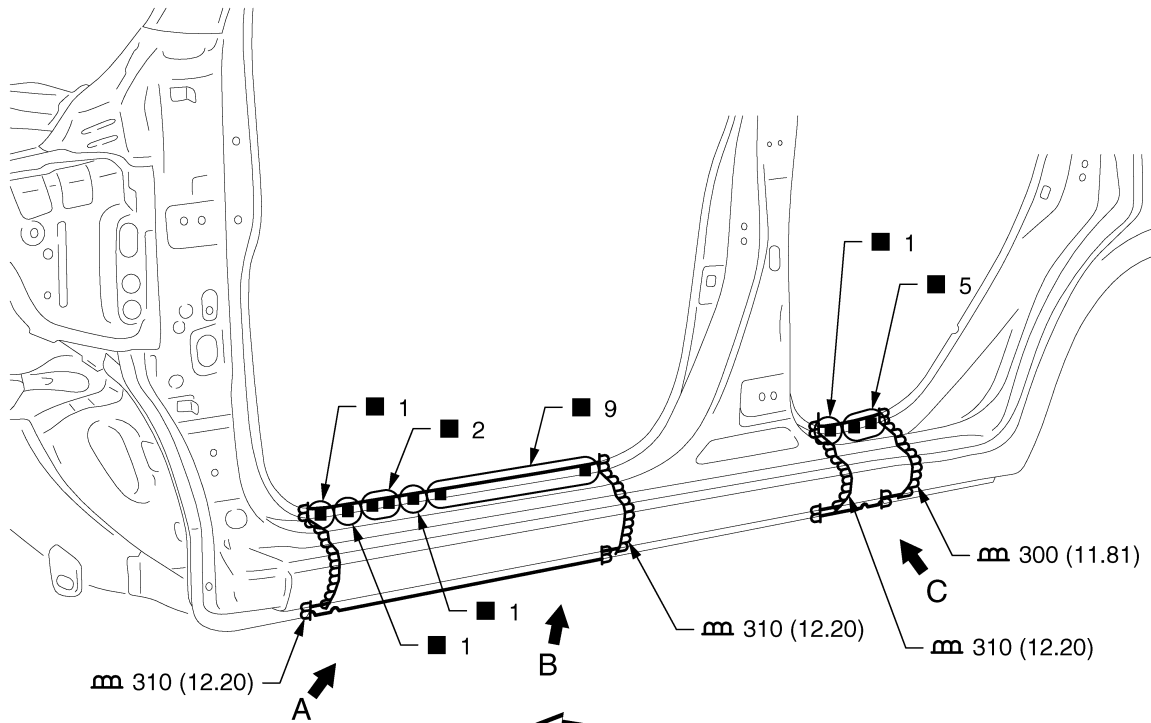
View M: Inner center pillar (replacement parts) and side body assembly (replacement parts)

REPLACEMENT OPERATIONS

< REMOVAL AND INSTALLATION >

Outer Sill (Partial Replacement)

INFOID:000000008453276



JSKIA1164GB

Unit: mm (in)

←: Vehicle front

Replacement parts

- Outer sill (LH)

A
B
C
D
E
F
G
H
I
J
K
L
M
N
O
P

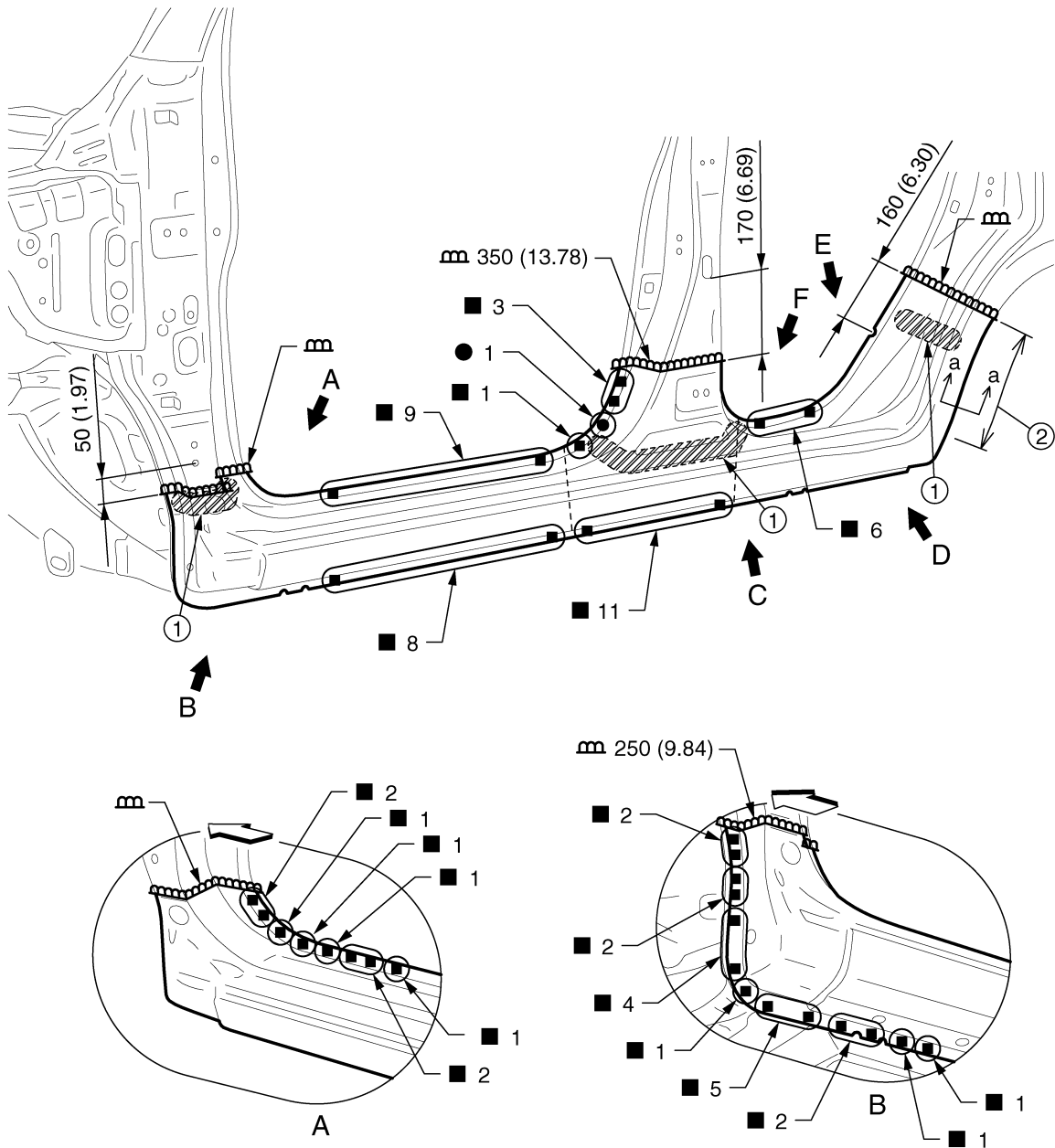
BRM

REPLACEMENT OPERATIONS

< REMOVAL AND INSTALLATION >

Outer Sill

INFOID:000000008453277

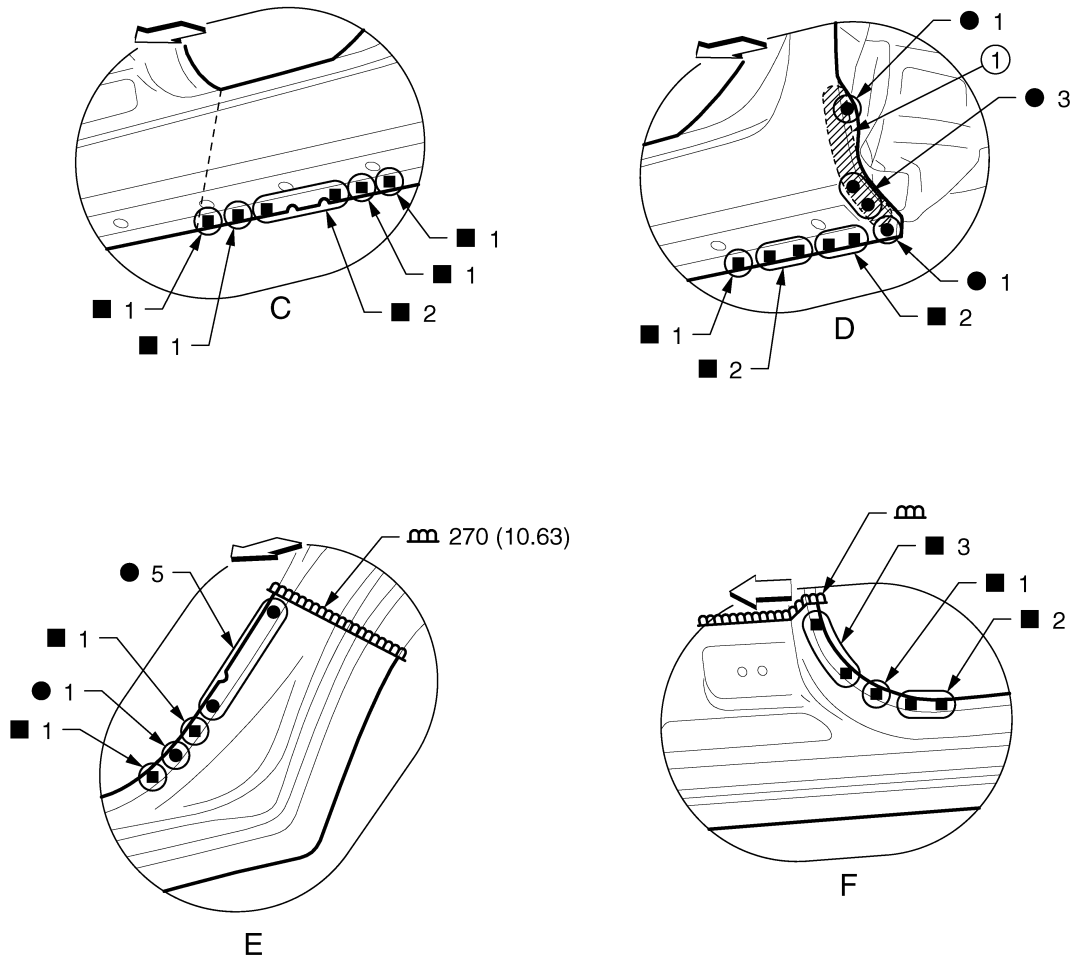


JSKIA1165GB

- 1. Urethane foam
 - 2. Hemming portion
- Unit: mm (in)
- ◁: Vehicle front
- Replacement parts
- Outer sill (LH)

REPLACEMENT OPERATIONS

< REMOVAL AND INSTALLATION >



- 1. Body sealing
- Unit: mm (in)
- ⇐: Vehicle front

POINT

A
B
C
D
E
F
G
H
I
J
L
M
N
O
P

BRM

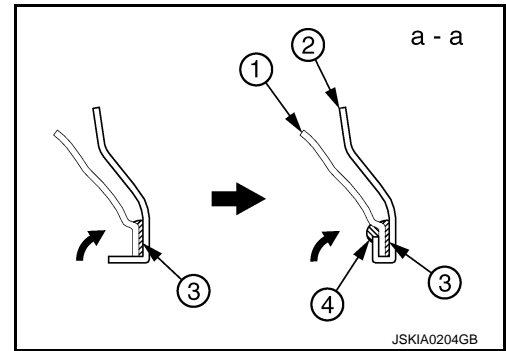
JSKIA1166GB

REPLACEMENT OPERATIONS

< REMOVAL AND INSTALLATION >

- Perform the hemming to the flange of wheelarch after applying the adhesive.
- Apply the sealing to the flange end.
- Refer to [BRM-19. "Rear Fender Hemming Process"](#).

1. **Outer rear wheelhouse**
2. **Rear fender**
3. **Adhesive**
4. **Sealant**

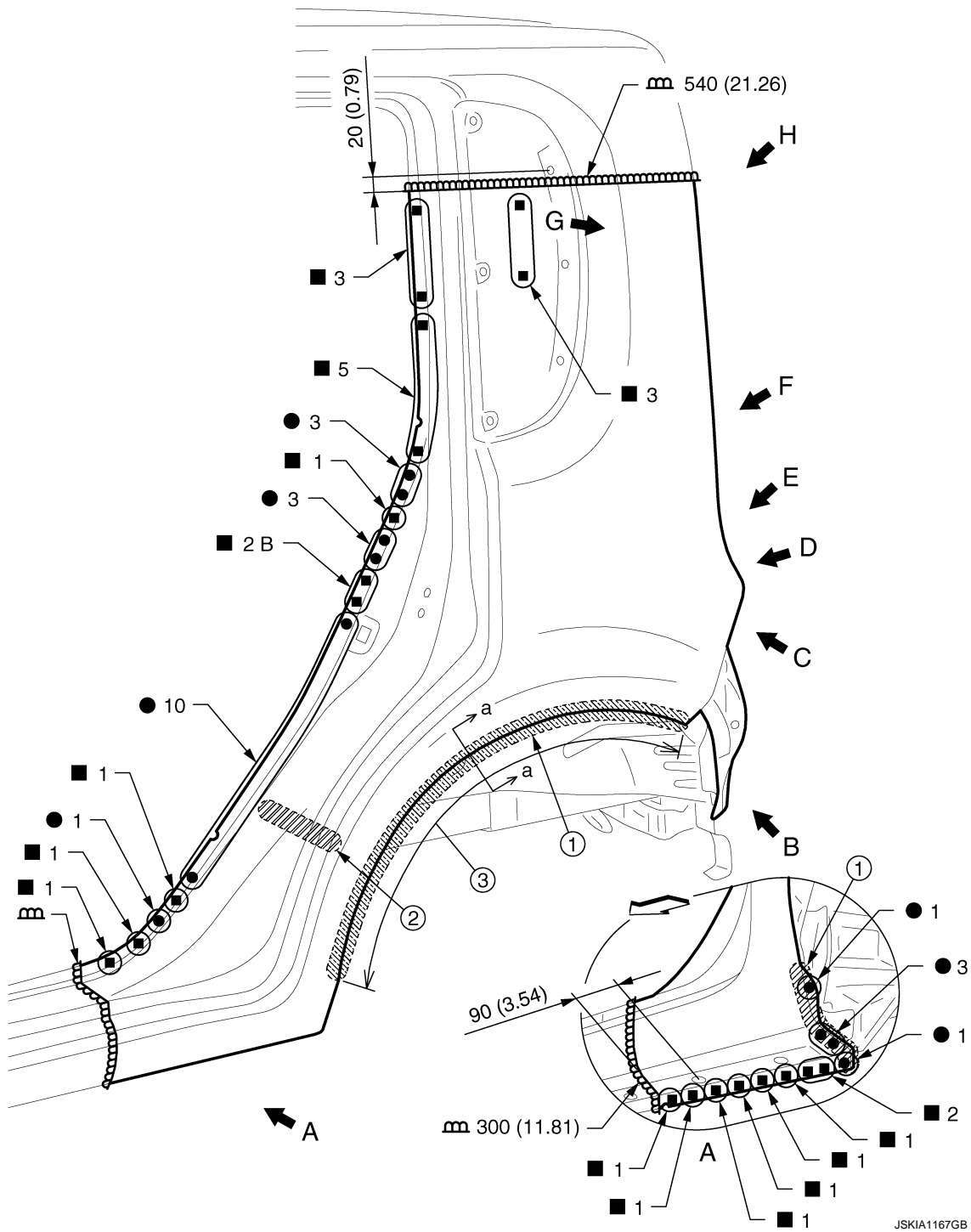


REPLACEMENT OPERATIONS

< REMOVAL AND INSTALLATION >

Rear Fender (LH)

INFOID:000000008453278



A
B
C
D
E
F
G
H
I
J
K
L
M
N
O
P

BRM

1. Adhesive

2. Urethane foam

3. Hemming portion

Unit: mm (in)

↔: Vehicle front

Replacement parts

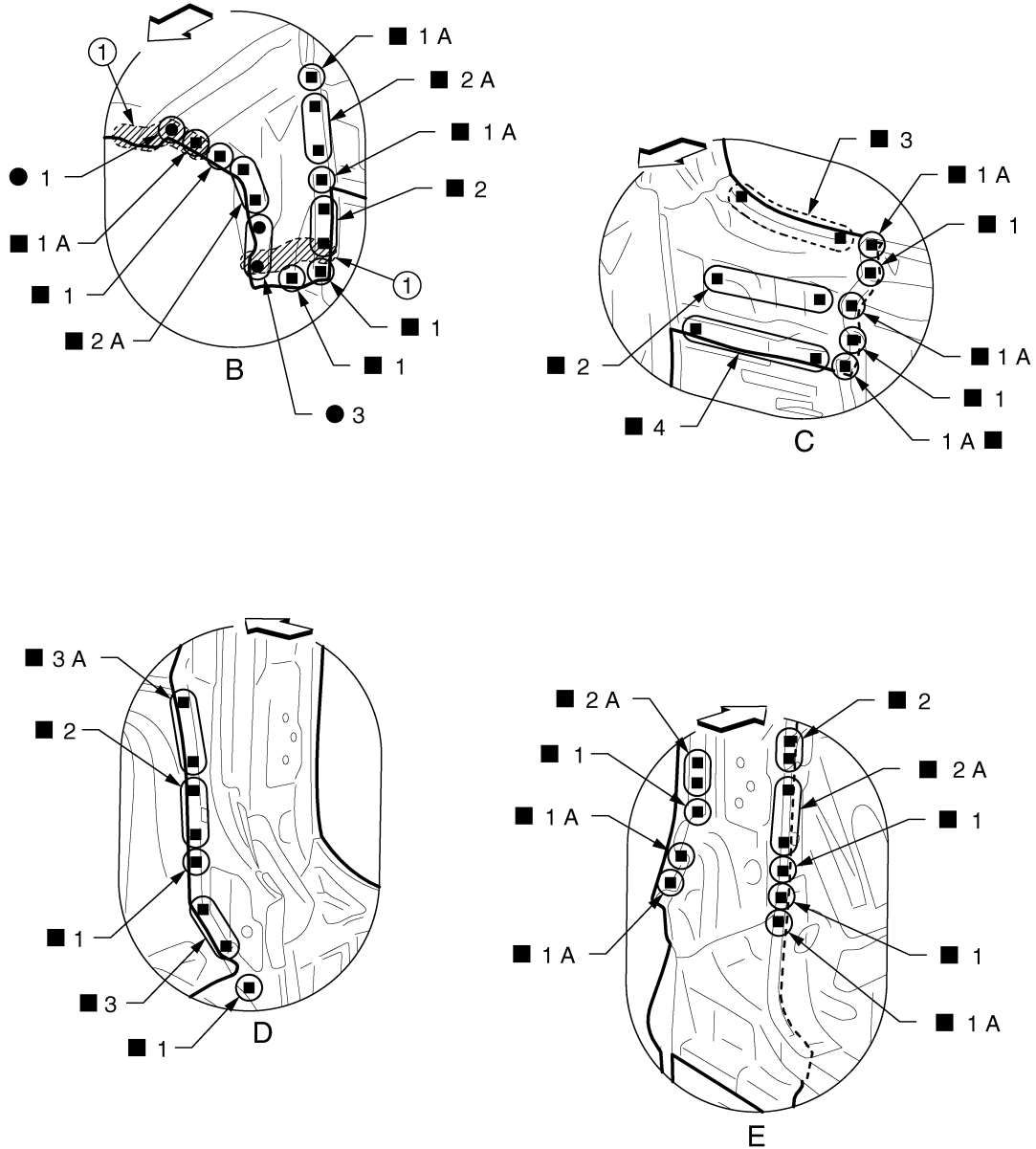
● Rear fender assembly (LH)

● Back pillar assembly (LH)

JSKIA1167GB

REPLACEMENT OPERATIONS

< REMOVAL AND INSTALLATION >



JSKIA1168ZZ

1. Body sealing

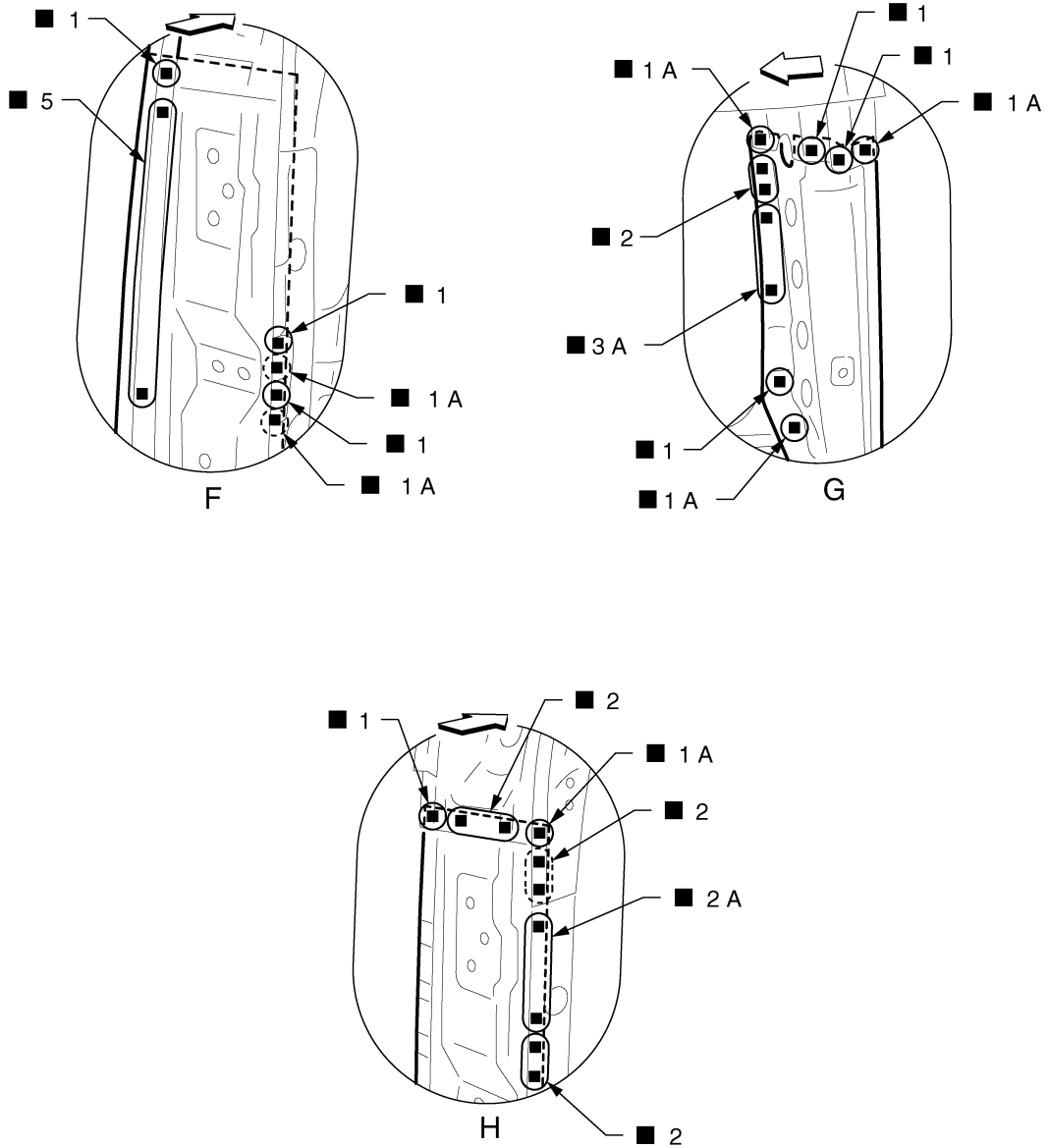
←: Vehicle front

○: Weld the parts onto the back of the component part.

View D: Before installing rear fender assembly

REPLACEMENT OPERATIONS

< REMOVAL AND INSTALLATION >



←: Vehicle front

○: Weld the parts onto the back of the component part.

View G and H: Before installing rear fender assembly

POINT

A
B
C
D
E
F
G
H
I
J
K
L
M
N
O
P

BRM

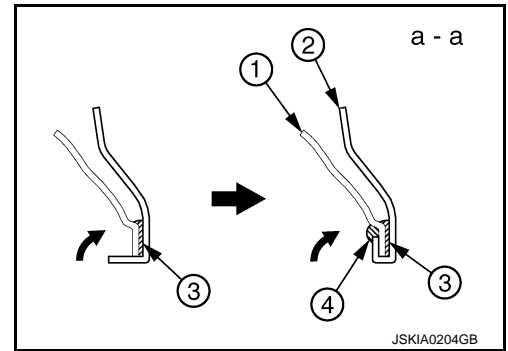
JSKIA1169ZZ

REPLACEMENT OPERATIONS

< REMOVAL AND INSTALLATION >

- Perform the hemming to the flange of wheelarch after applying the adhesive.
- Apply the sealing to the flange end.
- Refer to [BRM-19. "Rear Fender Hemming Process"](#).

1. **Outer rear wheelhouse**
2. **Rear fender**
3. **Adhesive**
4. **Sealant**

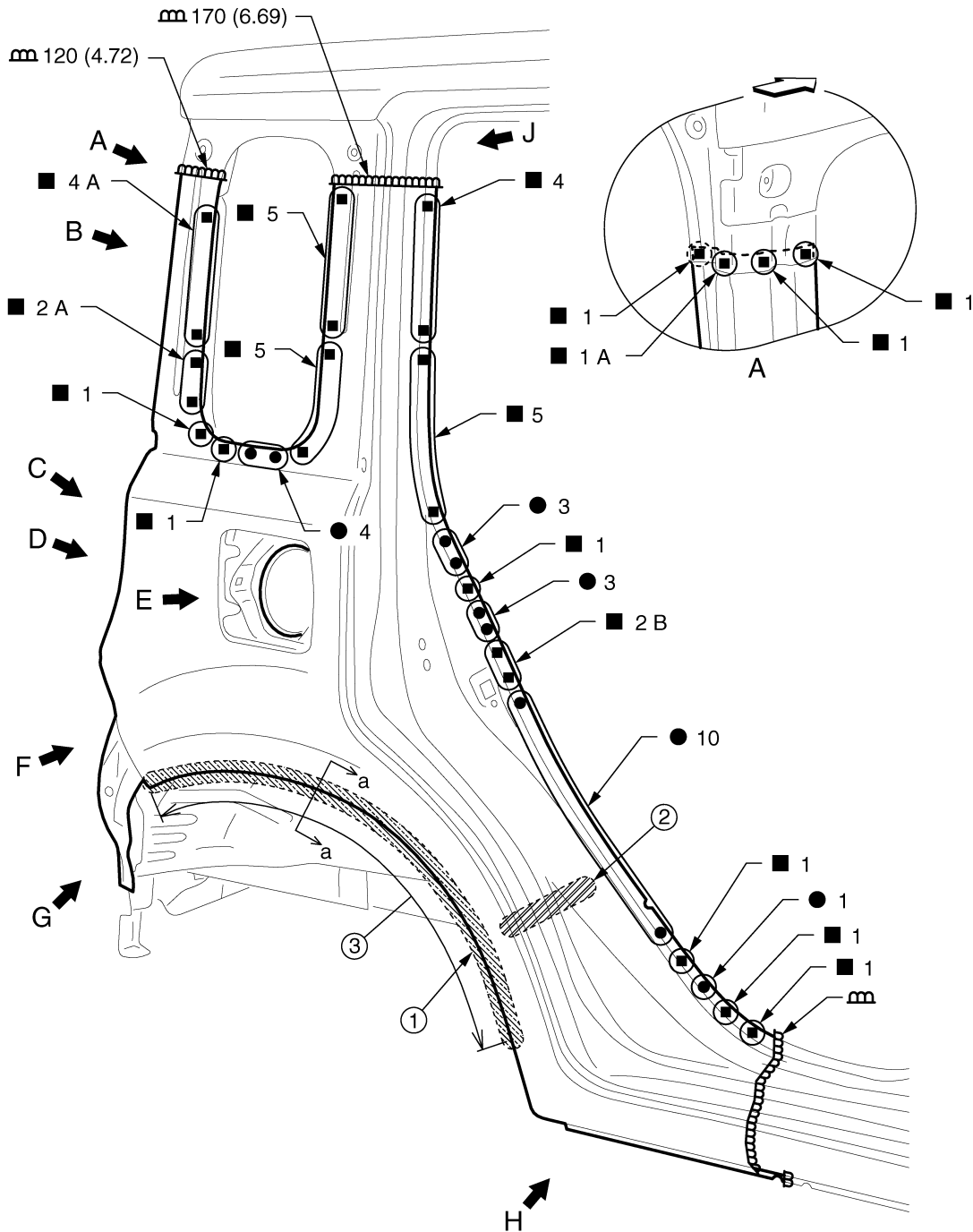


REPLACEMENT OPERATIONS

< REMOVAL AND INSTALLATION >

Rear Fender (RH)

INFOID:000000008453279



A
B
C
D
E
F
G
H
I
J
L
M
N
O
P

BRM

- 1. Adhesive
- 2. Urethane foam
- 3. Hemming portion

Unit: mm (in)

◀: Vehicle front

⊙: Weld the parts onto the back of the component part.

Replacement parts

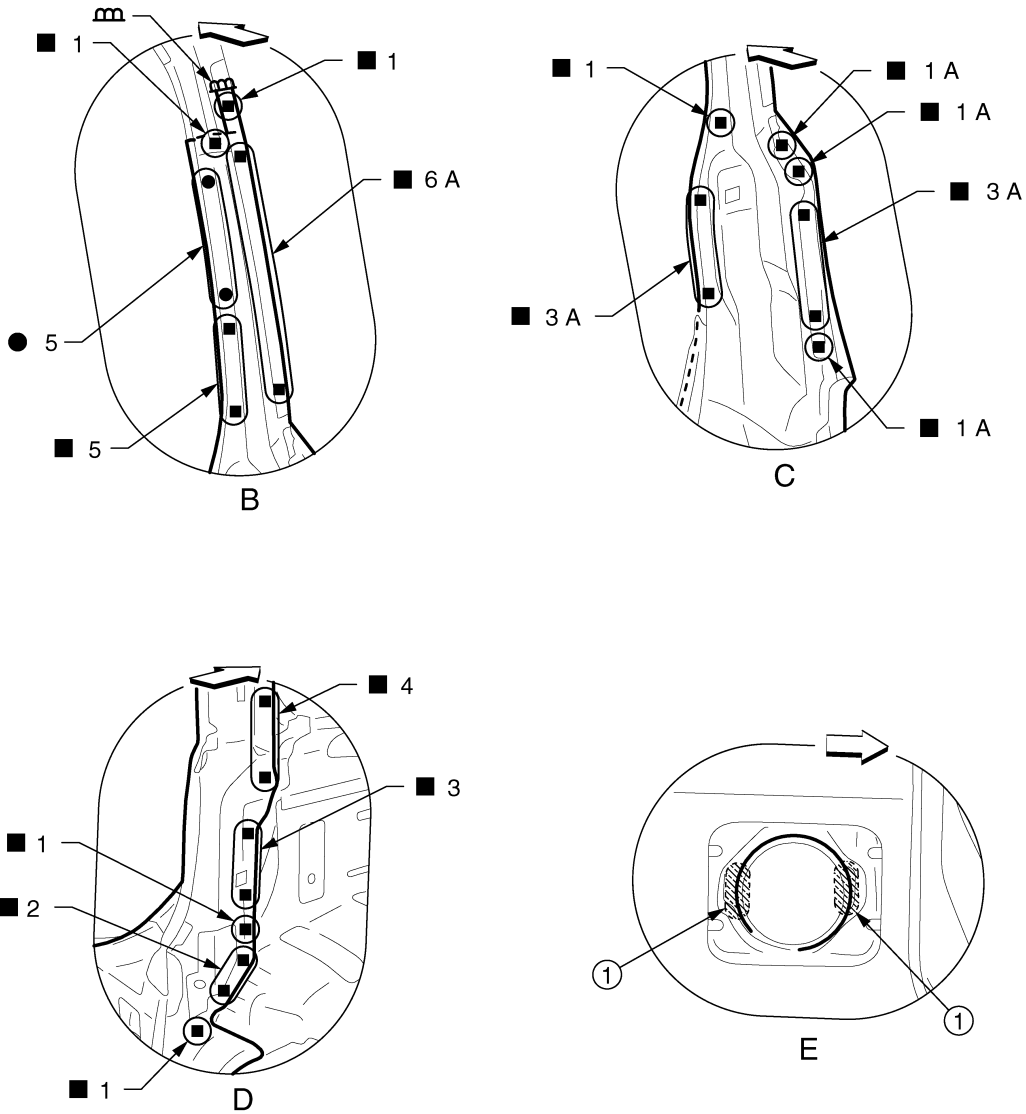
- Rear fender assembly (RH)
- Back pillar assembly (RH)

View A: Before installing rear fender assembly

JSKIA1170GB

REPLACEMENT OPERATIONS

< REMOVAL AND INSTALLATION >



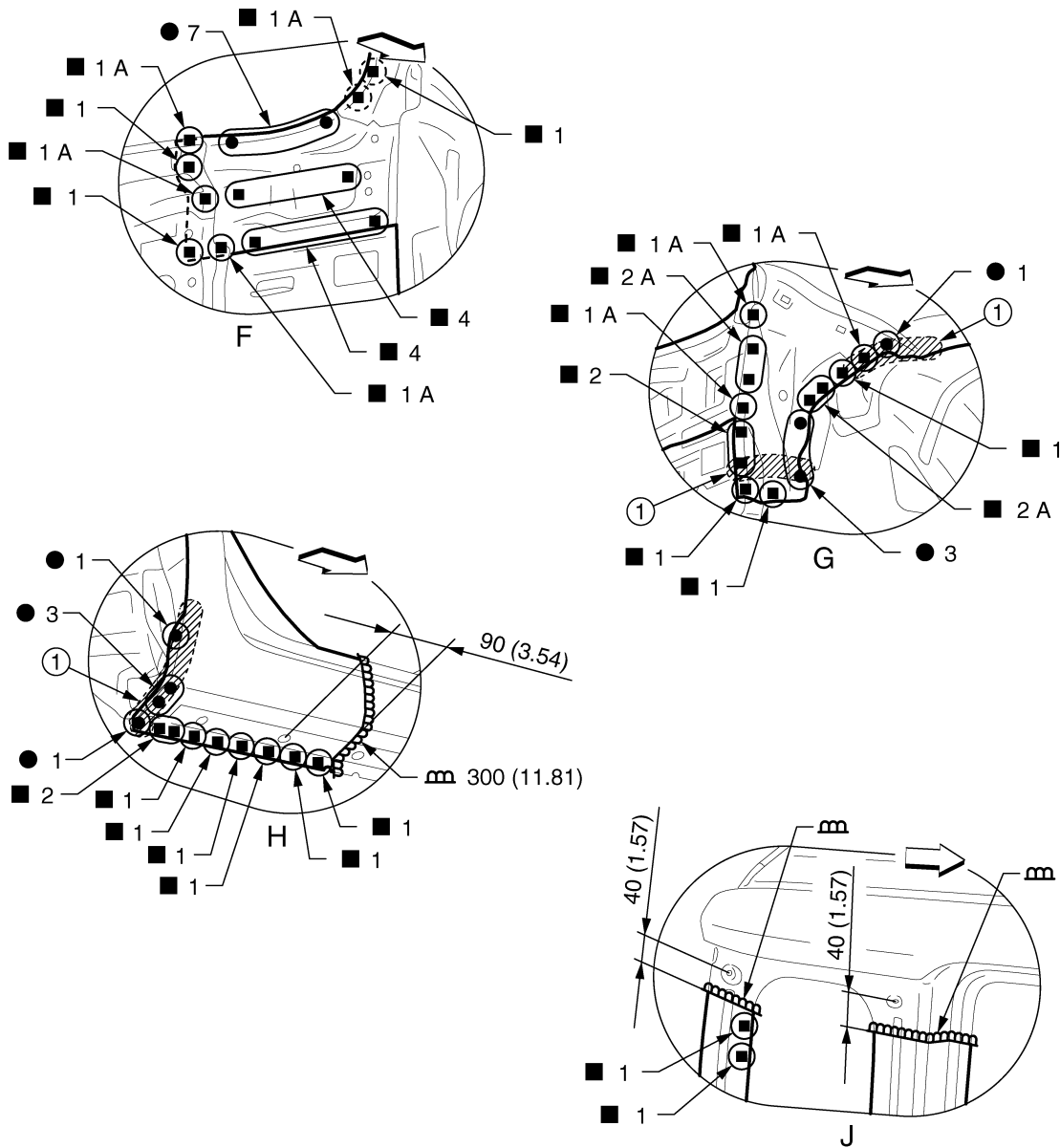
JSKIA1171ZZ

- 1. Adhesive
- ⇐: Vehicle front

View D: Before installing rear fender assembly

REPLACEMENT OPERATIONS

< REMOVAL AND INSTALLATION >



1. Body sealing

Unit: mm (in)

◀: Vehicle front

⊕: Weld the parts onto the back of the component part.

POINT

JSKIA1172GB

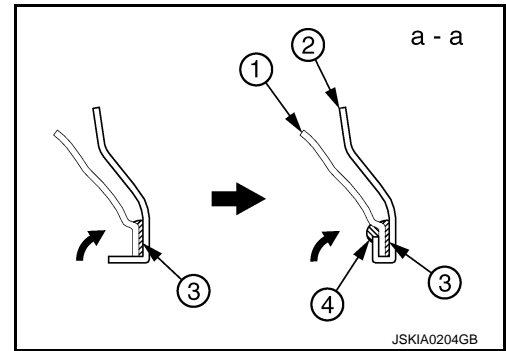
A
B
C
D
E
F
G
H
I
J
BRM
L
M
N
O
P

REPLACEMENT OPERATIONS

< REMOVAL AND INSTALLATION >

- Perform the hemming to the flange of wheelarch after applying the adhesive.
- Apply the sealing to the flange end.
- Refer to [BRM-19. "Rear Fender Hemming Process"](#).

1. **Outer rear wheelhouse**
2. **Rear fender**
3. **Adhesive**
4. **Sealant**

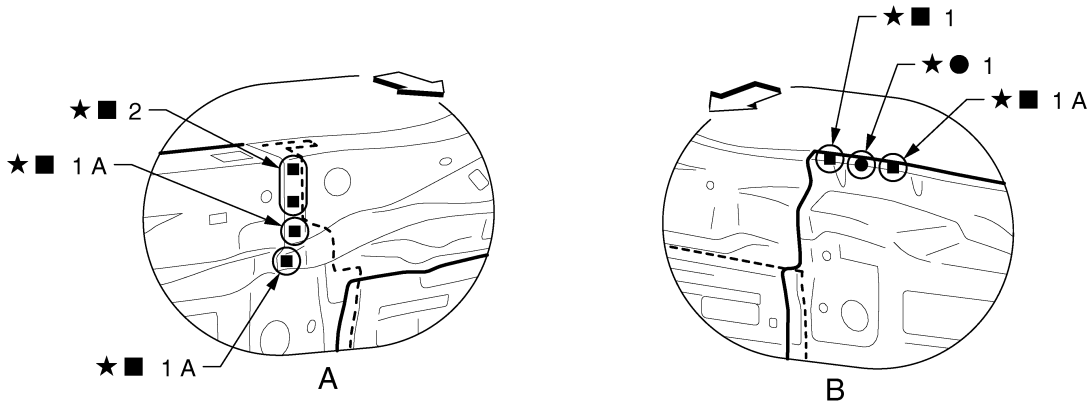
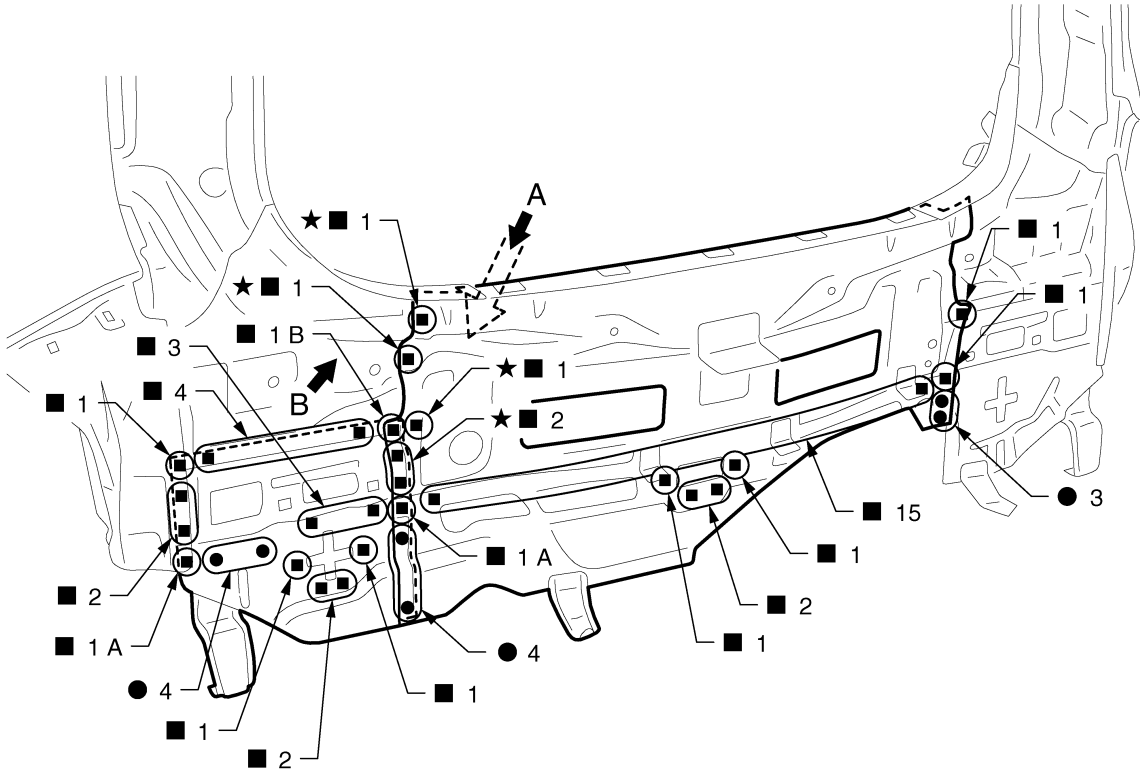


REPLACEMENT OPERATIONS

< REMOVAL AND INSTALLATION >

Rear Panel

INFOID:000000008453280



JSKIA1173ZZ

⇐: Vehicle front

★: Welding method and the number of welding points apply to both side of the vehicle.

Replacement parts

● Rear panel assembly

● Rear combination lamp base extension (LH)

Rear Floor Rear

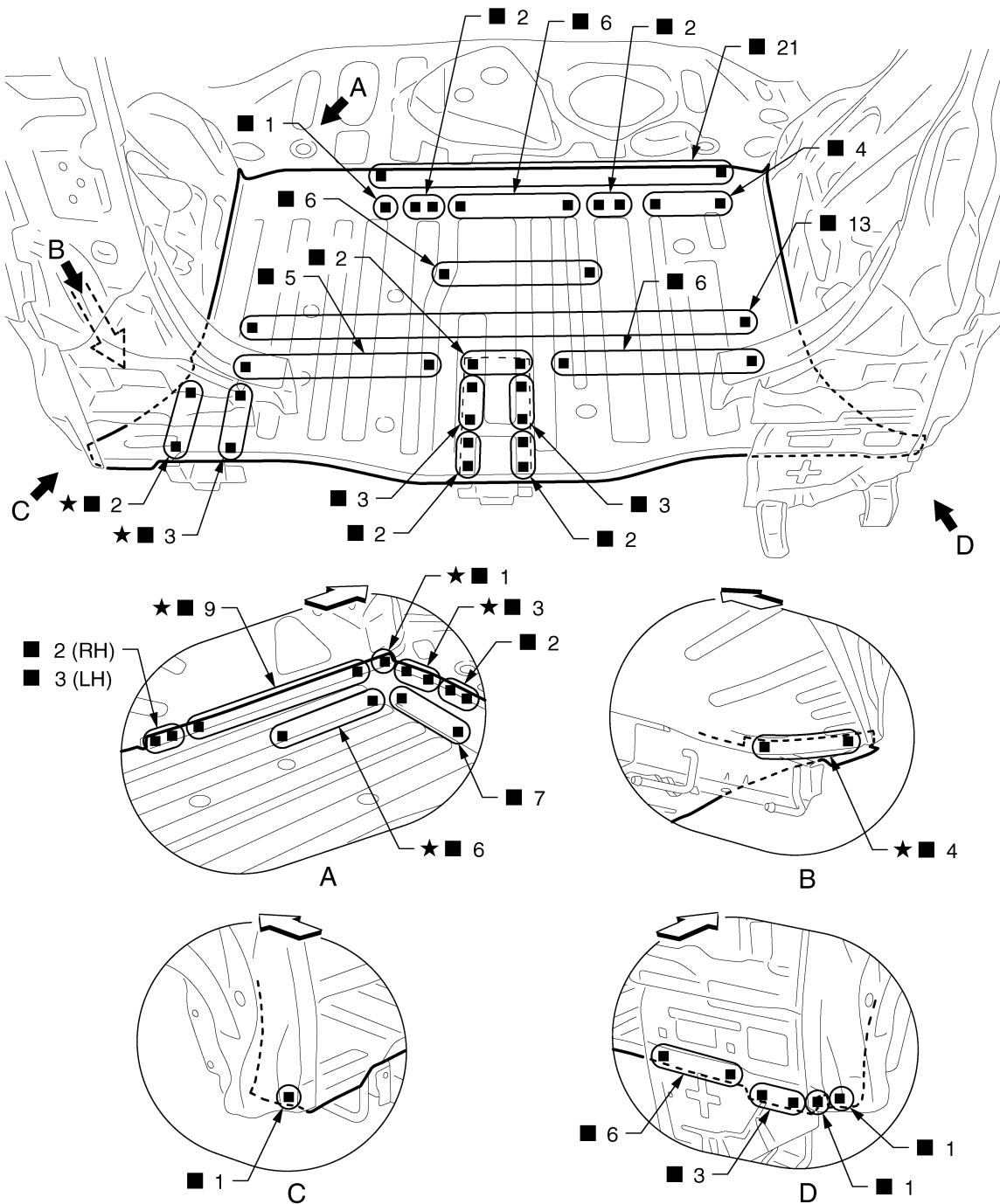
INFOID:000000008453281

Work after rear panel is removed.

A
B
C
D
E
F
G
H
I
J
BRM
L
M
N
O
P

REPLACEMENT OPERATIONS

< REMOVAL AND INSTALLATION >



JSKIA1174GB

↔: Vehicle front

★: An equivalent welding portion with the same dimensions is on the opposite side.

Replacement parts

- Rear floor rear

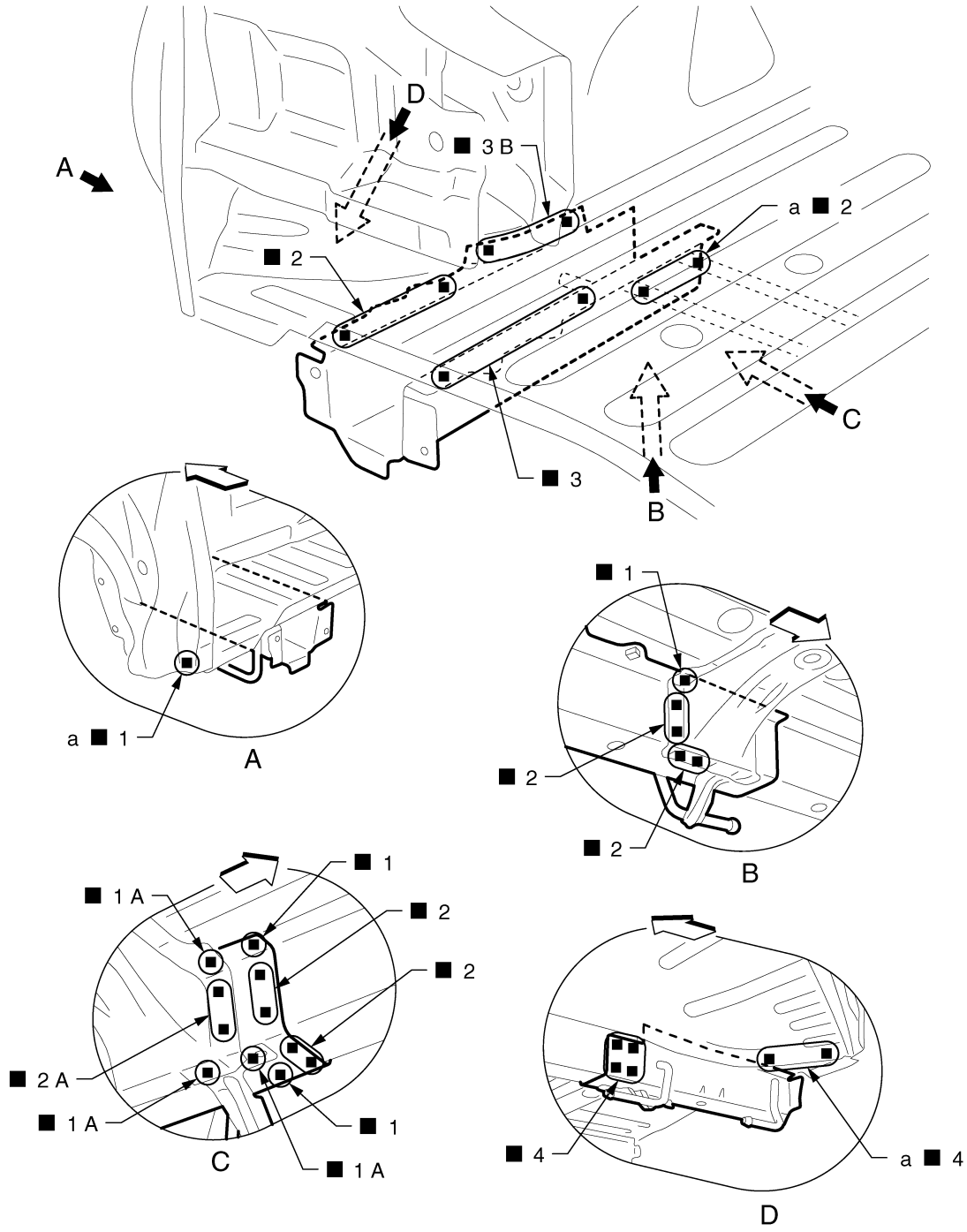
Rear Side Member Extension

INFOID:000000008453282

Work after rear panel is removed.
Remove the welding point (a) for easier installation.

REPLACEMENT OPERATIONS

< REMOVAL AND INSTALLATION >



JSKIA1175ZZ

- ←: Vehicle front
- Replacement parts
- Rear side member extension (LH)

A
B
C
D
E
F
G
H
I
J
BRM
L
M
N
O
P

BODY ALIGNMENT

< SERVICE DATA AND SPECIFICATIONS (SDS)

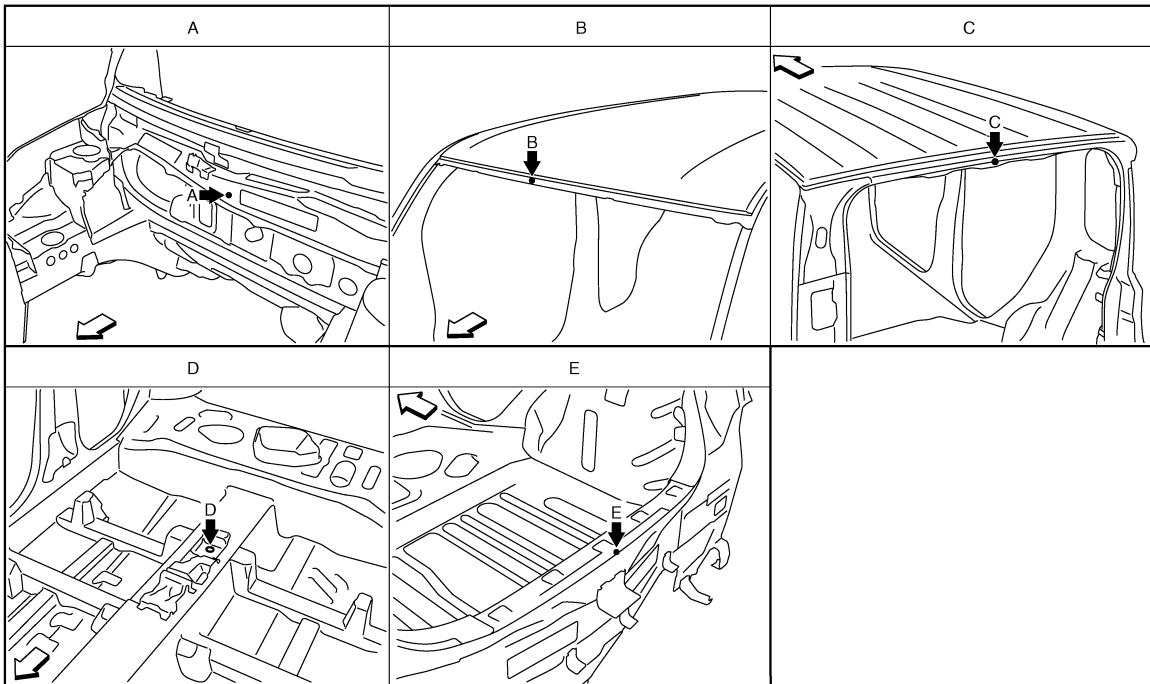
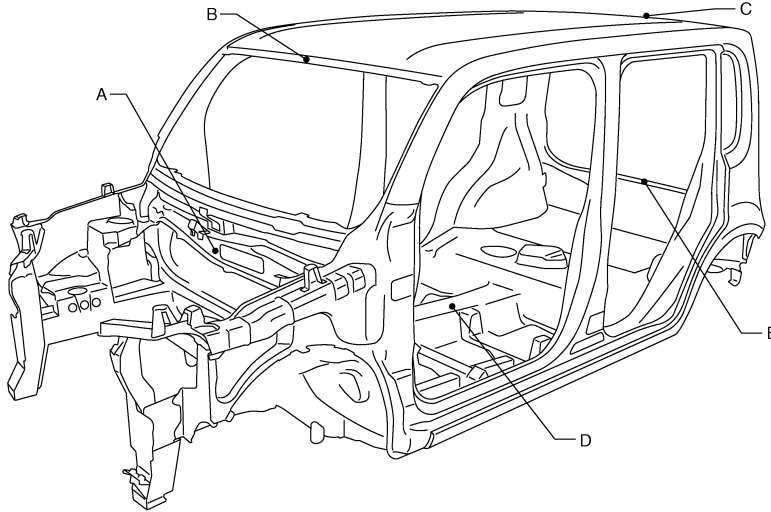
SERVICE DATA AND SPECIFICATIONS (SDS)

BODY ALIGNMENT

Body Center Marks

INFOID:000000008453283

A mark is placed on each part of the body to indicate the vehicle center. When repairing the vehicle frame (members, pillars, etc.) damaged by an accident which it enables more accurate and effective repair by using these marks together with body alignment specifications.



JSKIA1141ZZ

↶: Vehicle front

Unit: mm (in)

Points	Portion	Marks
A	Cowl top	Embossment
B	Front roof	Embossment
C	Rear roof	Indent

BODY ALIGNMENT

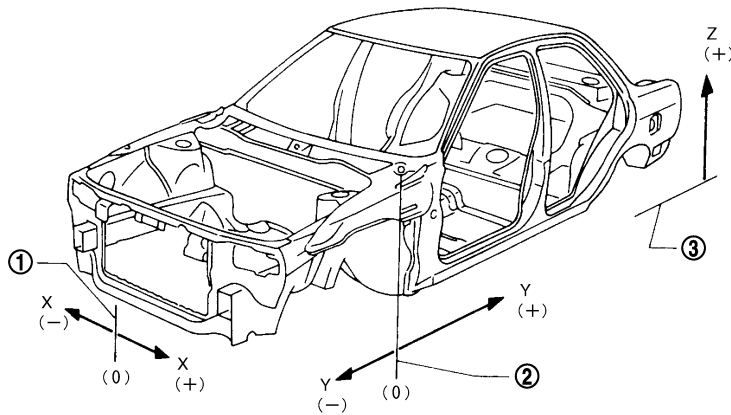
< SERVICE DATA AND SPECIFICATIONS (SDS)

Points	Portion	Marks
D	Parking brake reinforcement	Hole $\phi 12$ (0.47)
E	Rear panel	Indent

Description

INFOID:000000008453284

- All dimensions indicated in the figures are actual.
- When using a tracking gauge, adjust both pointers to equal length. Then check the pointers and gauge itself to make sure there is no free play.
- When a measuring tape is used, check to be sure there is no elongation, twisting or bending.
- Measurements should be taken at the center of the mounting holes.
- An asterisk (*) following the value at the measuring point indicates that the measuring point on the other side is symmetrically the same value.
- The coordinates of the measurement points are the distances measured from the standard line of "X", "Y" and "Z".
- "Z": Imaginary base line [200 mm (7.87 in) below datum line ("0Z" at design plan)]



JSKIA0073GB

1. Vehicle center

2. Front axle center

3. Imaginary base line

Engine Compartment

INFOID:000000008453285

MEASUREMENT

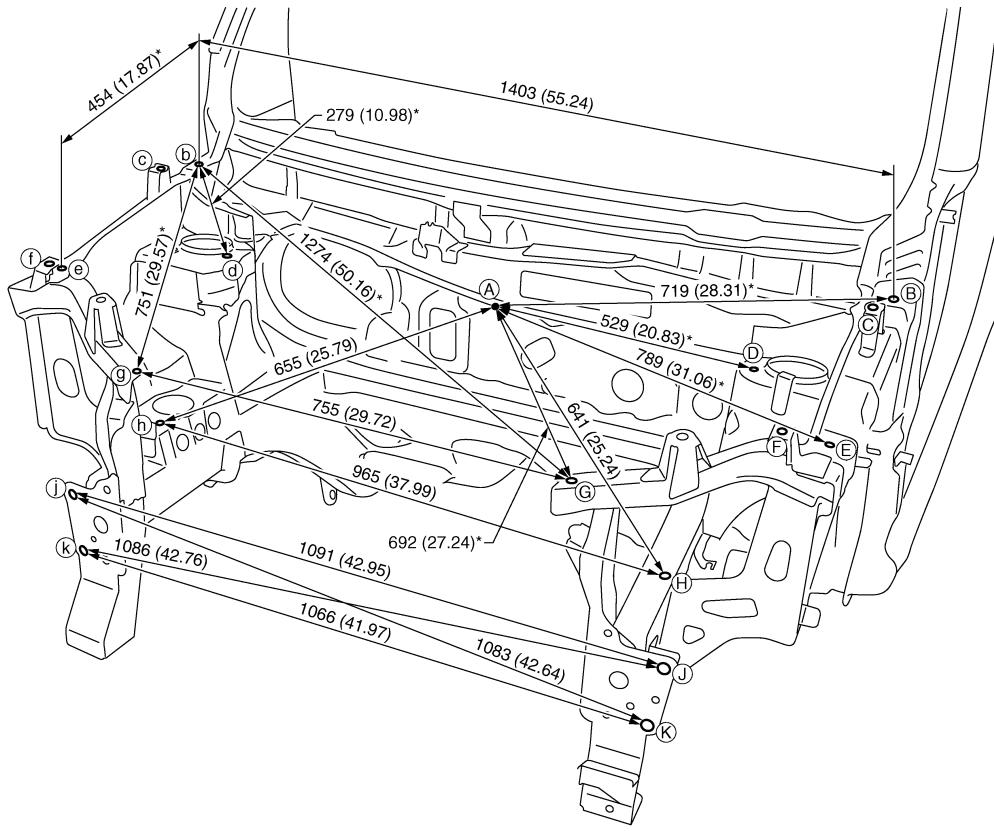
Dimensions marked with "*" indicate symmetrically identical dimensions on both the right and left hand of the vehicle.

A
B
C
D
E
F
G
H
I
J
L
M
N
O
P

BRM

BODY ALIGNMENT

< SERVICE DATA AND SPECIFICATIONS (SDS)



JSKIA1142GB

Unit: mm (in)

«The others»

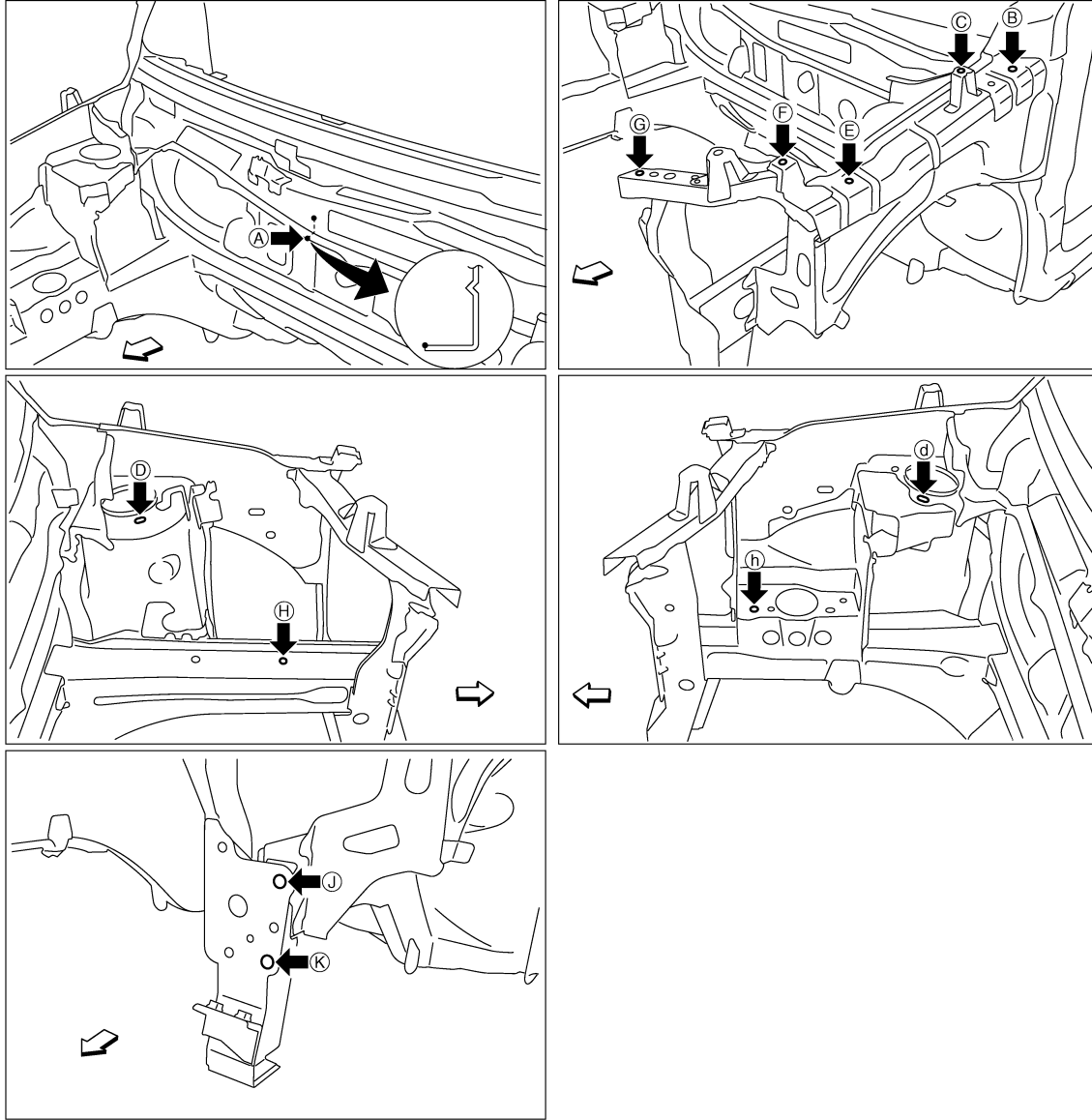
Unit: mm (in)

Point	Dimension	Memo	Point	Dimension	Memo	Point	Dimension	Memo	Point	Dimension	Memo
A - C	711 (27.99)*		B - d	1238 (48.74)*		C - c	1377 (54.21)		F - f	1297 (51.06)	
A - F	800 (31.50)*		B - e	1473 (57.99)*		D - d	1037 (40.83)				
B - C	159 (6.26)*		B - F	547 (21.54)*		E - e	1400 (55.12)				

MEASUREMENT POINTS

BODY ALIGNMENT

< SERVICE DATA AND SPECIFICATIONS (SDS)



A
B
C
D
E
F
G
H
I
J

BRM

L
M

JSKIA1143ZZ

←: Vehicle front

Unit: mm (in)

Point	Material	Point	Material
A	Cowl top flange end of center positioning mark	G, g	Upper radiator core support hole center $\phi 9$ (0.35)
B, b	Hood hinge installing hole center $\phi 11$ (0.43)	H	Front side member hole center $\phi 11$ (0.43)
C, c, F, f	Front fender installing hole center $\phi 7$ (0.28)	h	Engine mounting bracket hole center $\phi 11$ (0.43)
D, d	Front strut installing hole center 11×16 (0.43×0.63)	J, j	Front side member reinforcement extension hole center J: $\phi 14$ (0.55) j: 10×14 (0.39×0.55)
E, e	Hoodledge reinforcement hole center $\phi 12$ (0.47)	K, k	Front side member connector hole center $\phi 16$ (0.63)

N
O
P

Underbody

INFOID:000000008453286

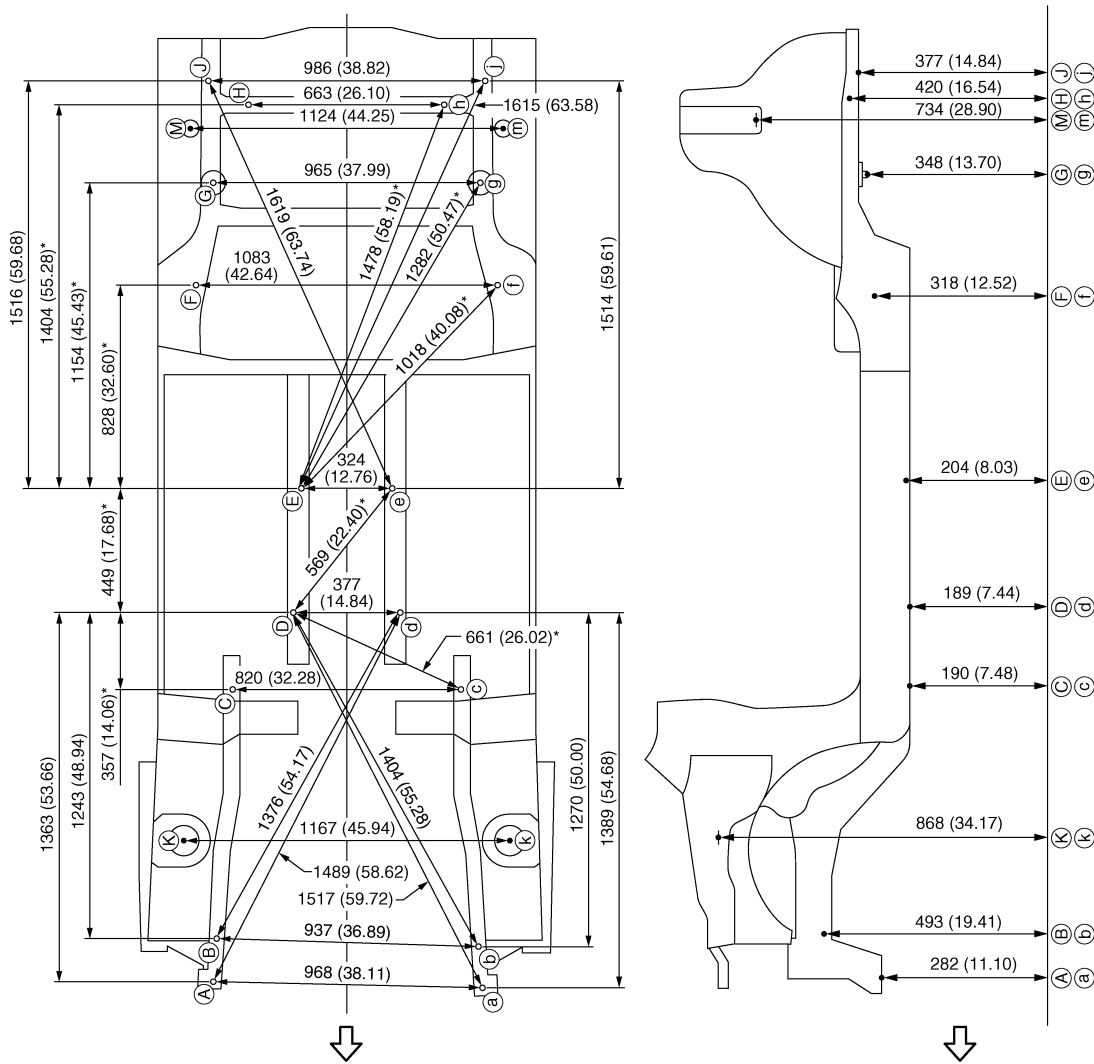
MEASUREMENT

BODY ALIGNMENT

< SERVICE DATA AND SPECIFICATIONS (SDS)

Dimensions marked with "*" indicate symmetrically identical dimensions on both the right and left hand of the vehicle.

The following figure shows a bottom view and a side view of the vehicle.



JSKIA1144GB

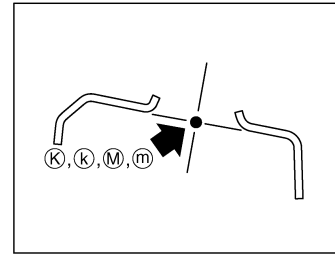
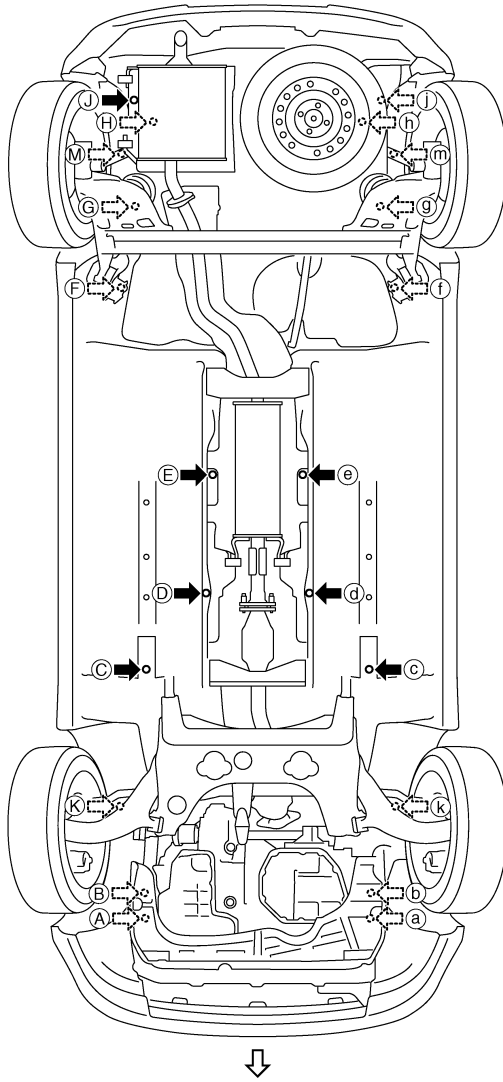
Unit: mm (in)

← Vehicle front

MEASUREMENT POINTS

BODY ALIGNMENT

< SERVICE DATA AND SPECIFICATIONS (SDS)



JSKIA1145ZZ

← Vehicle front

Unit: mm (in)

Points	Coordinates			Remarks	Points	Coordinates			Remarks
	X	Y	Z			X	Y	Z	
A	476.0 (18.740)	-502.0 (-19.764)	282.0 (11.102)	Hole ϕ 11 (0.43)	G, g	\pm 482.3 (\pm 18.988)	2374.2 (93.472)	348.3 (13.713)	Hole ϕ 12 (0.47)
a	-492.0 (-19.370)	-525.0 (-20.669)	282.0 (11.102)	Hole ϕ 11 (0.43)	H	331.3 (13.043)	2651.5 (104.390)	419.8 (16.528)	Hole ϕ 16 (0.63)
B	462.4 (18.205)	-346.0 (-13.622)	492.8 (19.402)	Hole ϕ 16 (0.63)	h	-331.3 (-13.043)	2651.5 (104.390)	419.8 (16.528)	Hole 16 \times 18 (0.63 \times 0.71)
b	-474.7 (-18.689)	-372.0 (-14.646)	492.8 (19.402)	Hole ϕ 16 (0.63)	J	498.0 (19.606)	2743.0 (107.992)	376.8 (14.835)	Hole ϕ 16 (0.63)
C, c	\pm 410.0 (\pm 16.142)	547.0 (21.535)	190.2 (7.488)	Hole ϕ 16 (0.63)	j	-487.5 (-19.193)	2743.0 (107.992)	376.8 (14.835)	Hole 17 \times 16 (0.67 \times 0.63)
D, d	\pm 188.7 (\pm 7.429)	827.5 (32.579)	189.0 (7.441)	Hole ϕ 8 (0.31)	K, k	\pm 583.6 (\pm 22.976)	6.6 (0.260)	868.0 (34.173)	Hole ϕ 98 (3.86)

A
B
C
D
E
F
G
H
I
J
K
L
M
N
O
P

BRM

BODY ALIGNMENT

< SERVICE DATA AND SPECIFICATIONS (SDS)

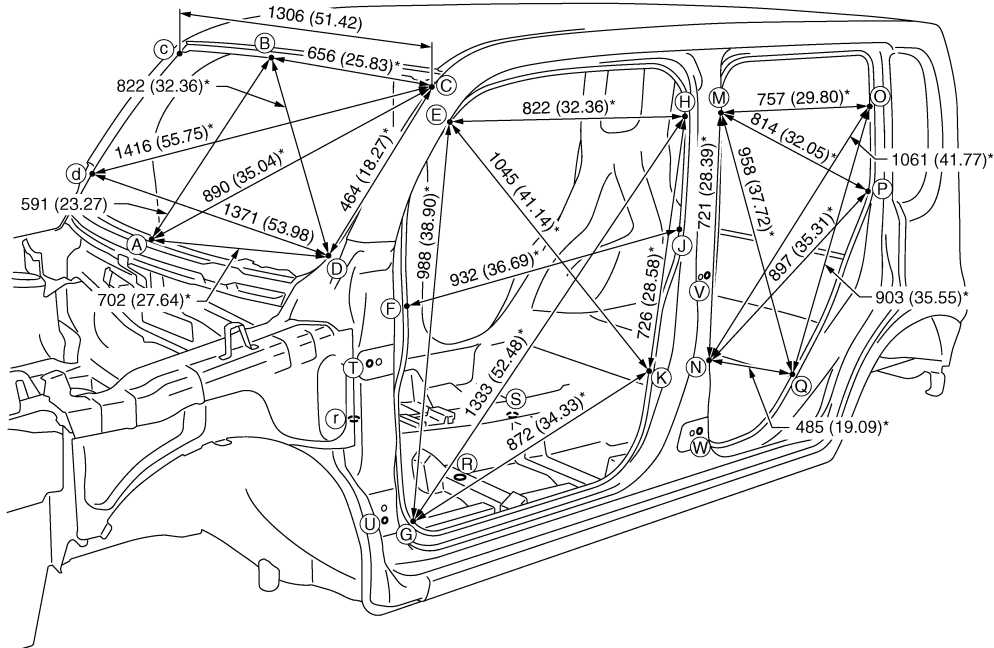
Points	Coordinates			Remarks	Points	Coordinates			Remarks
	X	Y	Z			X	Y	Z	
E, e	±162.0 (±6.378)	1275.0 (50.197)	204.0 (8.031)	Hole φ21 (0.83)	M, m	±561.9 (±22.122)	2569.2 (101.149)	734.4 (28.913)	Hole φ20 (0.79)
F, f	±541.3 (±21.311)	2002.4 (78.834)	318.0 (12.520)	Hole φ16 (0.63)					

Passenger Compartment

INFOID:000000008453287

MEASUREMENT

Dimensions marked with "*" indicate symmetrically identical dimensions on both the right and left hand of the vehicle.



JSKIA1146GB

Unit: mm (in)

«The others»

BODY ALIGNMENT

< SERVICE DATA AND SPECIFICATIONS (SDS)

Unit: mm (in)

Point	Dimension	Memo	Point	Dimension	Memo	Point	Dimension	Memo	Point	Dimension	Memo
E - e	1367 (53.82)		K - k	1368 (53.86)		P - p	1371 (53.98)		S - Q	961 (37.83)*	
E - g	1689 (66.50)*		M - m	1392 (54.80)		Q - q	1367 (53.82)		T - t	1488 (58.58)	
E - h	1607 (63.27)*		M - n	1554 (61.18)*		R - E	1291 (50.83)*		T - V	1159 (45.63)*	
E - k	1721 (67.76)*		M - o	1562 (61.50)*		R - F	988 (38.90)*		T - W	1207 (47.52)*	
F - f	1346 (52.99)		M - p	1603 (63.11)*		R - G	712 (28.03)*		U - u	1516 (59.68)	
F - j	1653 (65.08)*		M - q	1680 (66.14)*		R - H	1275 (50.20)*		U - V	1213 (47.76)*	
G - g	1373 (54.06)		N - n	1361 (53.58)		R - J	1008 (39.68)*		U - W	1106 (43.54)*	
G - h	1921 (75.63)*		N - o	1717 (67.60)*		R - K	687 (27.05)*		V - v	1490 (58.66)	
G - k	1624 (63.94)*		N - p	1634 (64.33)*		S - M	1278 (50.31)*		W - w	1523 (59.96)	
H - h	1394 (54.88)		N - q	1448 (57.01)*		S - N	778 (30.63)*				
H - k	1560 (61.42)*		O - o	1340 (52.76)		S - O	1571 (61.85)*				
J - j	1385 (54.53)		O - q	1627 (64.05)*		S - P	1407 (55.39)*				

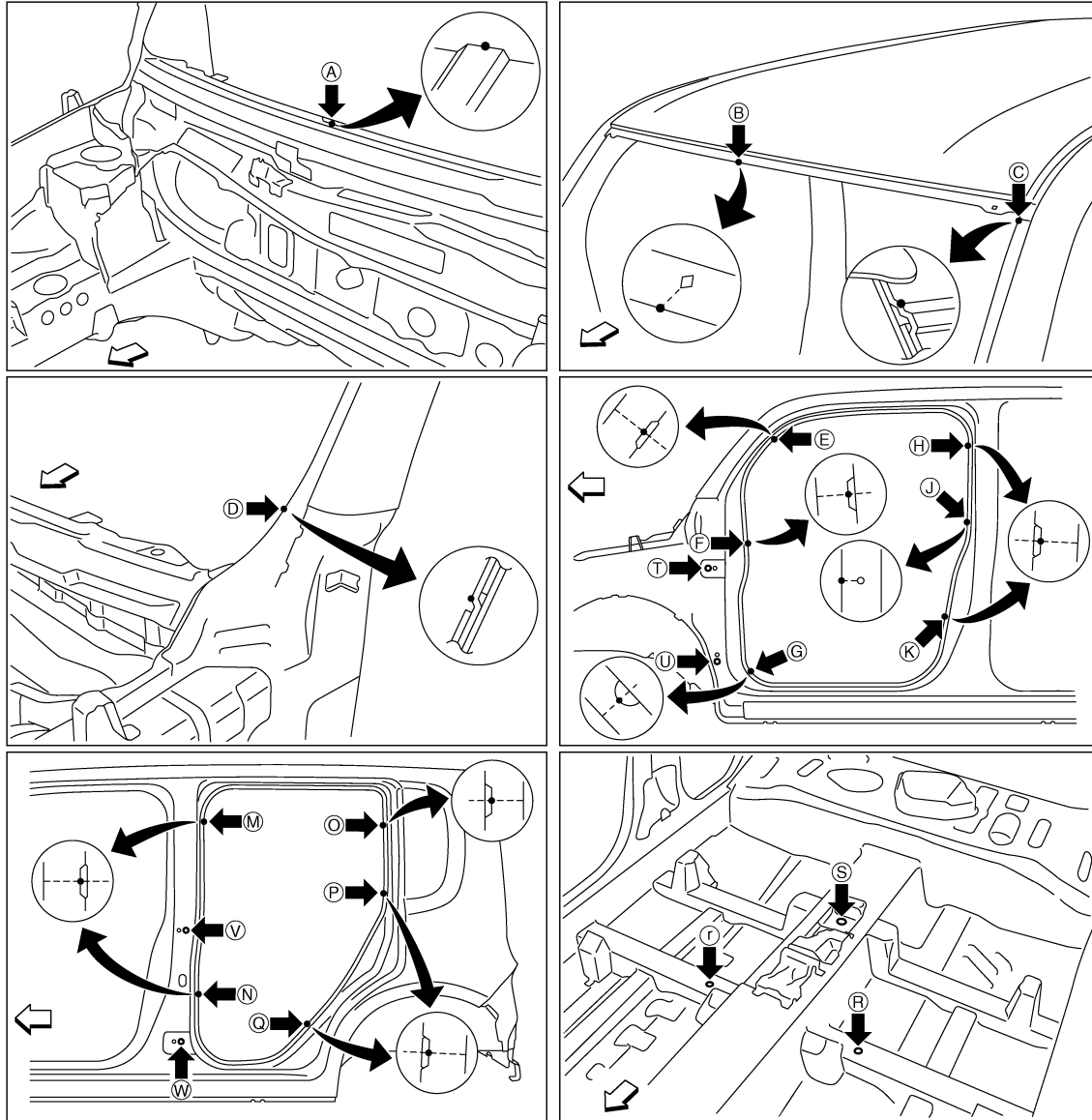
MEASUREMENT POINTS

A
B
C
D
E
F
G
H
I
J
L
M
N
O
P

BRM

BODY ALIGNMENT

< SERVICE DATA AND SPECIFICATIONS (SDS)



JSKIA1147ZZ

↶: Vehicle front

Unit: mm (in)

Point	Material	Point	Material
A	Cowl top flange	J, j	Center pillar flange
B	Roof flange end of center positioning mark	O, o, P, p, Q, q	Rear fender indent
C, c	Front pillar joggle	R, r	2nd crossmember hole center 12×14 (0.47×0.55)
D, d	Upper inner front pillar joggle	S	Parking brake reinforcement hole center of center positioning mark $\phi 12$ (0.47)
E, e, F, f, G, g	Front pillar indent	T, t, U, u, V, v, W, w	Door hinge installing hole center T, t, U, u, W, w: $\phi 12$ (0.47) V, v: $\phi 9$ (0.35)
H, h, K, k, M, m, N, n	Center pillar indent		

BODY ALIGNMENT

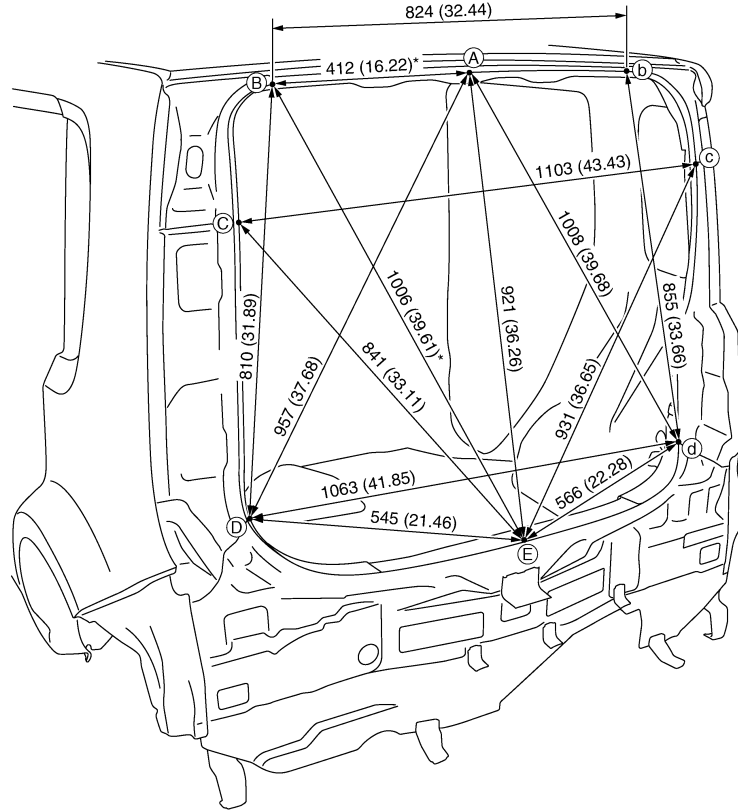
< SERVICE DATA AND SPECIFICATIONS (SDS)

Rear Body

INFOID:000000008453288

MEASUREMENT

Dimensions marked with "*" indicate symmetrically identical dimensions on both the right and left hand of the vehicle.



JSKIA1148GB

Unit: mm (in)

«The others»

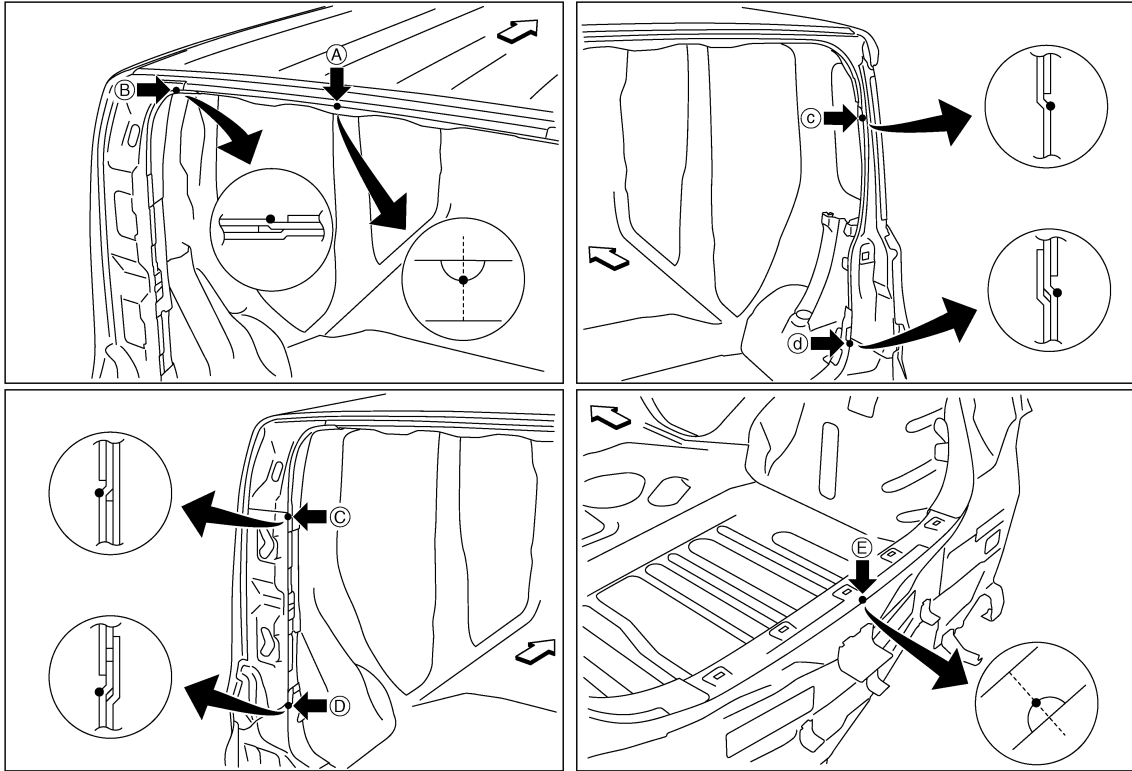
Unit: mm (in)

Point	Dimension	Memo	Point	Dimension	Memo	Point	Dimension	Memo	Point	Dimension	Memo
A - C	566 (22.28)		b - C	952 (37.48)		C - D	555 (21.85)		c - D	1261 (49.65)	
A - c	631 (24.84)		B - d	1277 (50.28)		c - d	639 (25.16)				
B - c	1028 (40.47)		b - D	1227 (48.31)		C - d	1210 (47.64)				

MEASUREMENT POINTS

BODY ALIGNMENT

< SERVICE DATA AND SPECIFICATIONS (SDS)



JSKIA1149ZZ

↶: Vehicle front

Point	Material	Point	Material
A	Roof flange end of center positioning mark	D, d	Rear combination lamp base joggle
B, b	Upper outer back pillar joggle	E	Rear panel indent of center positioning mark
C, c	Lower outer back pillar joggle		

LOCATION OF PLASTIC PARTS

< SERVICE DATA AND SPECIFICATIONS (SDS)

LOCATION OF PLASTIC PARTS

Precautions for Plastics

INFOID:000000008453289

Abbreviation	Material name	Heatresisting temperature °C (°F)	Resistance to gasoline and solvents	Other cautions
PE	Polyethylene	60 (140)	Gasoline and most solvents are harmless if applied for a very short time (wipe out quickly).	Flammable
ABS	Acrylonitrile Butadiene Styrene	80 (176)	Avoid gasoline and solvents.	—
EPM/EPDM	Ethylene Propylene (Diene) co-polymer	80 (176)	Gasoline and most solvents are harmless if applied for a very short time (wipe out quickly).	Flammable
PS	Polystyrene	80 (176)	Avoid solvents.	Flammable
PVC	Poly Vinyl Chloride	80 (176)	Gasoline and most solvents are harmless if applied for a very short time (wipe out quickly).	Poisonous gas is emitted when burned.
TPO	Thermoplastic Olefine	80 (176)	↑	Flammable
AAS	Acrylonitrile Acrylic Styrene	85 (185)	Avoid gasoline and solvents.	—
PMMA	Poly Methyl Methacrylate	85 (185)	↑	—
EVAC	Ethylene Vinyl Acetate	90 (194)	↑	—
PP	Polypropylene	90 (194)	Gasoline and most solvents are harmless if applied for a very short time (wipe out quickly).	Flammable, avoid battery acid.
PUR	Polyurethane	90 (194)	Avoid gasoline and solvents.	—
UP	Unsaturated Polyester	90 (194)	↑	Flammable
ASA	Acrylonitrile Styrene Acrylate	100 (212)	↑	Flammable
PPE	Poly Phenylene Ether	110 (230)	↑	—
TPU	Thermoplastic Urethane	110 (230)	↑	—
PBT+PC	Poly Butylene Terephthalate + Polycarbonate	120 (248)	↑	Flammable
PC	Polycarbonate	120 (248)	↑	—
POM	Poly Oxymethylene	120 (248)	↑	Avoid battery acid.
PA	Polyamide	140 (284)	↑	Avoid immersing in water.
PBT	Poly Butylene Terephthalate	140 (284)	↑	—
PAR	Polyarylate	180 (356)	↑	—
PET	Polyethylene terephthalate	180 (356)	↑	—
PEI	Polyetherimide	200 (392)	↑	—

CAUTION:

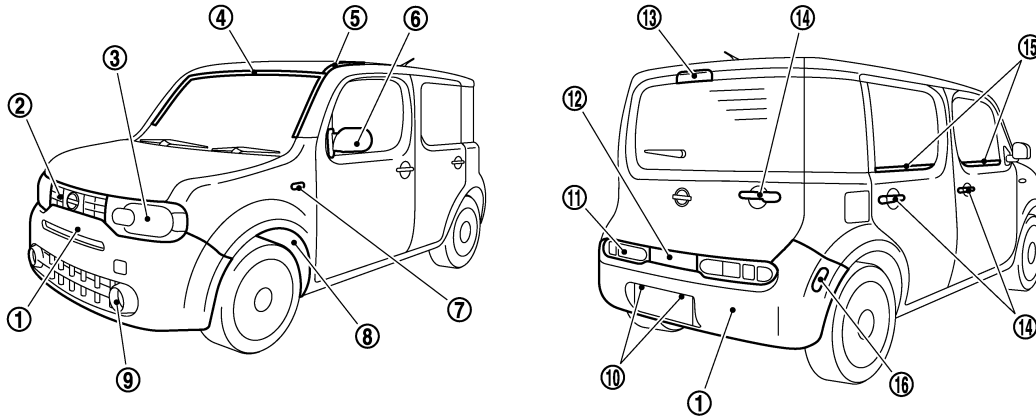
- When repairing and painting a portion of the body adjacent to plastic parts, consider their characteristics (influence of heat and solvent) and remove them if necessary or take suitable measures to protect them.
- Plastic parts should be repaired and painted using methods suiting the materials' characteristics.

LOCATION OF PLASTIC PARTS

< SERVICE DATA AND SPECIFICATIONS (SDS)

Location of Plastic Parts

INFOID:000000008453290

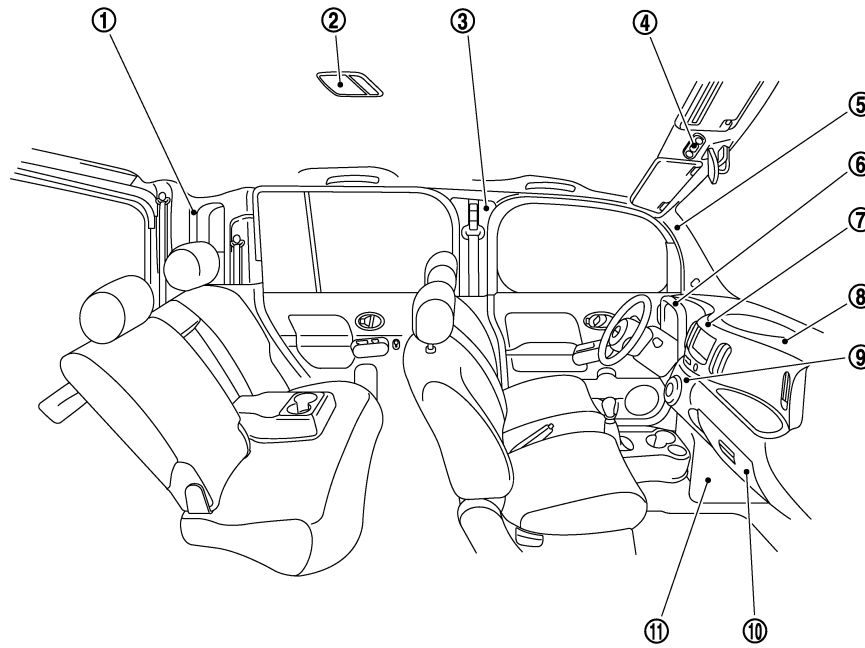


JSKIA1179ZZ

Component		Material	Component		Material		
1	Bumper fascia	PP + EPM	10	License plate lamp	Lens	PMMA	
2	Front grille	ABS			Housing	PC	
3	Front combination lamp	Lens	11	Rear combination lamp	Lens	PMMA	
		Housing			PP	Housing	ASA
4	Windshield molding	PVC	12	Back door finisher	Lens	PMMA	
5	Roof side molding	PVC			Housing	ASA	
6	Door outside mirror	Cover (Material color)	13	High mount stop lamp	Lens	PC	
		Cover (Body color)			ABS	Housing	PC
		Base			PBT + PET + Glass fiber	14	Door outside handle
7	Side turn signal lamp	Lens	15	Door outside molding		PVC + Stainless	
		Housing		PMMA	16	Rear side marker lamp	Lens
8	Front fender protector	PP	Housing	ASA			
9	Front fog lamp	Lens			Glass		
		Housing	PBT + ASA + Glass fiber				

LOCATION OF PLASTIC PARTS

< SERVICE DATA AND SPECIFICATIONS (SDS)



JSKIA1180ZZ

Component		Material	Component		Material	
1	Rear pillar finisher	PP	6	Cluster lid A	PP	
2	Room lamp	Lens	PC	7	Cluster lid C	PC + ABS
		Housing	PP	8	Instrument panel	PP
3	Center pillar garnish	PP	9	Air conditioner control finisher	PC + ABS	
4	Map lamp	Lens	PC	10	Glove box	PP
		Housing	PA	11	Instrument lower cover	PP
5	Front pillar garnish	PP				

A
B
C
D
E
F
G
H
I
J
L
M
N
O
P

BRM