

SECTION **PG**

POWER SUPPLY, GROUND & CIRCUIT ELEMENTS

CONTENTS

POWER SUPPLY & GROUND CIRCUIT	Circuit Breaker	30	F
BASIC INSPECTION	OPTION HARNESS	31	G
BATTERY	Wiring Diagram - OPTION HARNESS -	31	H
How to Handle Battery	HARNESS LAYOUT	32	I
Work Flow	How To Read Harness Layout	32	J
DTC/CIRCUIT DIAGNOSIS	Outline	33	K
POWER SUPPLY ROUTING CIRCUIT	Engine Room Harness	34	L
Wiring Diagram - BATTERY POWER SUPPLY -	Engine Control Harness	36	PG
Wiring Diagram - BATTERY POWER SUPPLY	Main Harness	37	N
FUSIBLE LINK No. H -	Body Harness / Tail Harness	38	O
Wiring Diagram - BATTERY POWER SUPPLY	Door Harness	40	P
FUSE No. 10 -	Room Lamp Harness	45	
Wiring Diagram - BATTERY POWER SUPPLY	CONNECTOR INFORMATION	46	
FUSE No. 34 -	How to Read Connector Type	46	
Wiring Diagram - BATTERY POWER SUPPLY	B Body Harness	47	
FUSE No. 43 -	D Door Harness	53	
Wiring Diagram - BATTERY POWER SUPPLY	E Engine Room Harness	58	
FUSE No. 47 -	F Engine Control Harness	65	
Wiring Diagram - ACCESSORY POWER SUPPLY -	M Main Harness	70	
Wiring Diagram - ACCESSORY POWER SUPPLY FUSE No. 20 -	R Room Lamp Harness	83	
Wiring Diagram - IGNITION POWER SUPPLY -	T Tail Harness	84	
Wiring Diagram - IGNITION POWER SUPPLY	HARNESS CONNECTOR	85	
FUSE No. 2 -	Description	85	
Wiring Diagram - IGNITION POWER SUPPLY	STANDARDIZED RELAY	88	
FUSE No. 16 -	Description	88	
Wiring Diagram - IGNITION POWER SUPPLY	FUSE BLOCK - JUNCTION BOX (J/B)	90	
FUSE No. 41, 42 -	Fuse, Connector and Terminal Arrangement	90	
Wiring Diagram - IGNITION POWER SUPPLY	FUSE, FUSIBLE LINK AND RELAY BOX	91	
FUSE No. 55 -	Fuse and Fusible Link Arrangement	91	
Wiring Diagram - IGNITION POWER SUPPLY	IPDM E/R (INTELLIGENT POWER DISTRIBUTION MODULE ENGINE ROOM)	92	
FUSE No. 57 -	Fuse, Connector and Terminal Arrangement	92	
Wiring Diagram - IGNITION POWER SUPPLY	PRECAUTION	93	
FUSE No. 62 -			
Fuse			
Fusible Link			

PRECAUTIONS	93	Removal and Installation	95
Precaution for Supplemental Restraint System (SRS) "AIR BAG" and "SEAT BELT PRE-TEN- SIONER"	93	BATTERY TERMINAL WITH FUSIBLE LINK...	96
PREPARATION	94	Exploded View	96
PREPARATION	94	Removal and Installation	96
Special Service Tools	94	SERVICE DATA AND SPECIFICATIONS	
REMOVAL AND INSTALLATION	95	(SDS)	97
BATTERY	95	SERVICE DATA AND SPECIFICATIONS	
Exploded View	95	(SDS)	97
		Battery	97

BASIC INSPECTION

BATTERY

How to Handle Battery

INFOID:000000008449513

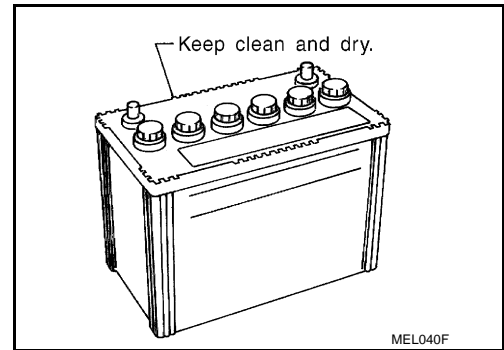
CAUTION:

- If it becomes necessary to start the engine with a booster battery and jumper cables, use a 12-volt booster battery.
- After connecting battery cables, ensure that they are tightly clamped to battery terminals for good contact.
- Never add distilled water through the hole used to check specific gravity.

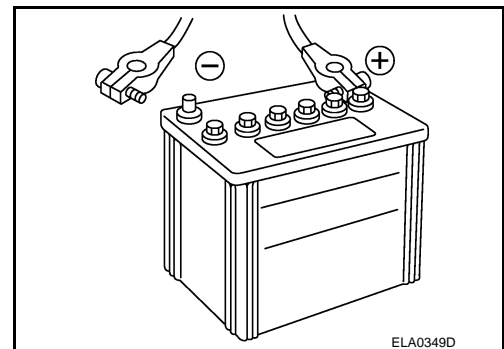
METHODS OF PREVENTING OVER-DISCHARGE

The following precautions must be taken to prevent over-discharging a battery.

- The battery surface (particularly its top) should always be kept clean and dry.
- The terminal connections should be clean and tight.
- At every routine maintenance, check the electrolyte level.
This also applies to batteries designated as "low maintenance" and "maintenance-free".



- When the vehicle is not going to be used over a long period of time, disconnect the battery cable from the negative terminal. (If the vehicle has an extended storage fuse switch, turn it off.)



Work Flow

INFOID:000000008449514

BATTERY DIAGNOSIS WITH EXP-800 NI OR GR8-1200 NI

To diagnose and confirm the condition of the battery, use the following special service tools:

- EXP-800 NI Battery and electrical diagnostic analyzer
- GR8-1200 NI Multitasking battery and electrical diagnostic station

NOTE:

Refer to the applicable instruction manual for proper battery diagnosis procedures.

BATTERY DIAGNOSIS WITHOUT EXP-800 NI OR GR8-1200 NI

Check Electrolyte Level

WARNING:

Never allow battery fluid to come in contact with skin, eyes, fabrics, or painted surfaces. After touching a battery, never touch or rub your eyes until you have thoroughly washed your hands. If acid contacts eyes, skin or clothing, immediately flush with water for 15 minutes and seek medical attention. Failure to do this may cause personal injury or damage to clothing or the painted surfaces.

A
B
C
D
E
F
G
H
I
J
K
L

PG

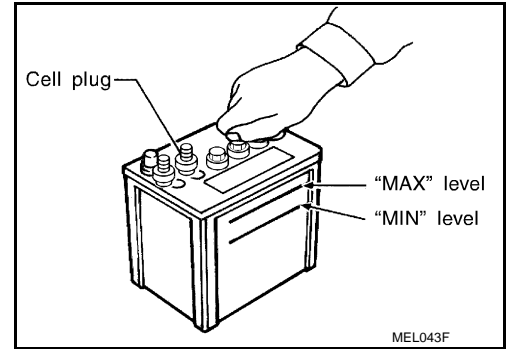
N
O
P

BATTERY

[POWER SUPPLY & GROUND CIRCUIT]

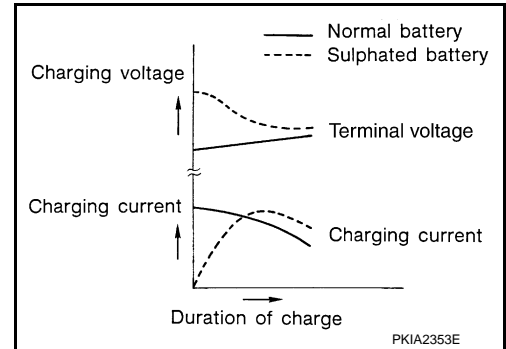
< BASIC INSPECTION >

- Remove the cell plug using a suitable tool.
- Add distilled water up to the MAX level.



SULPHATION

- A battery will be completely discharged if it is left unattended for a long time and the specific gravity will become less than 1.100. This may result in sulphation on the cell plates.
- To determine if a battery has been “sulphated”, note its voltage and current when charging it. As shown in the figure, less current and higher voltage are observed in the initial stage of charging sulphated batteries.
- A sulphated battery may sometimes be brought back into service by means of a long, slow charge, 12 hours or more, followed by a battery capacity test.



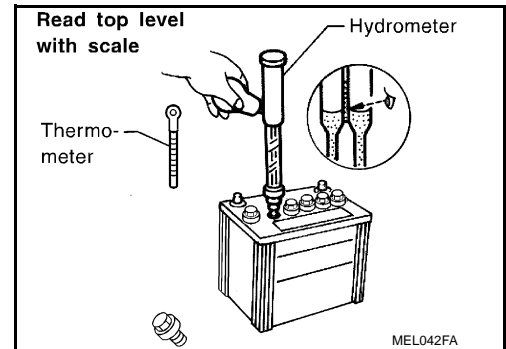
Specific Gravity Check

NOTE:

Check the charge condition of the battery.

Periodically check the specific gravity of the electrolyte. Keep a close check on charge condition to prevent over-discharge.

1. Read hydrometer and thermometer indications at eye level.
2. Use the chart below to correct your hydrometer reading according to electrolyte temperature.



Hydrometer Temperature Correction

Battery electrolyte temperature [°C (°F)]	Add to specific gravity reading
71 (160)	0.032
66 (150)	0.028
60 (140)	0.024
54 (130)	0.020
49 (120)	0.016
43 (110)	0.012
38 (100)	0.008
32 (90)	0.004
27 (80)	0
21 (70)	-0.004
16 (60)	-0.008
10 (50)	-0.012

BATTERY

< BASIC INSPECTION >

[POWER SUPPLY & GROUND CIRCUIT]

Battery electrolyte temperature [°C (°F)]	Add to specific gravity reading
4 (40)	-0.016
-1 (30)	-0.020
-7 (20)	-0.024
-12 (10)	-0.028
-18 (0)	-0.032

Corrected specific gravity	Approximate charge condition
1.260 - 1.280	Fully charged
1.230 - 1.250	3/4 charged
1.200 - 1.220	1/2 charged
1.170 - 1.190	1/4 charged
1.140 - 1.160	Almost discharged
1.110 - 1.130	Completely discharged

Charging The Battery

CAUTION:

- **Never “quick charge” a fully discharged battery.**
- **Keep the battery away from open flame while it is being charged.**
- **When connecting the charger, connect the leads first, then turn on the charger. Never turn on the charger first, as this may cause a spark.**
- **If battery electrolyte temperature rises above 55 °C (131 °F), stop charging. Always charge battery at a temperature below 55 °C (131 °F).**

Charging Rates (Standard Charge)

Approximate charge condition	Charge current (A)	Charge time (h)
Fully charged	5	2
3/4 charged		2.5
1/2 charged		5
1/4 charged		7.5
Almost discharged		9
Completely discharged		10

Charging Rates (Quick Charge)

Approximate charge condition	Charge current (A)	Charge time (h)
Fully charged	—	—
3/4 charged	13	0.5
1/2 charged	25	
1/4 charged		
Almost discharged	—	—
Completely discharged		

NOTE:

The ammeter reading on your battery charger will automatically decrease as the battery charges. This indicates that the voltage of the battery is increasing normally as the state of charge improves. The charging amps indicated above refer to initial charge rate.

- If, after charging, the specific gravity of any two cells varies more than 0.050, the battery should be replaced.

A
B
C
D
E
F
G
H
I
J
K
L
N
O
P

PG

POWER SUPPLY ROUTING CIRCUIT

< DTC/CIRCUIT DIAGNOSIS >

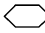
[POWER SUPPLY & GROUND CIRCUIT]

DTC/CIRCUIT DIAGNOSIS

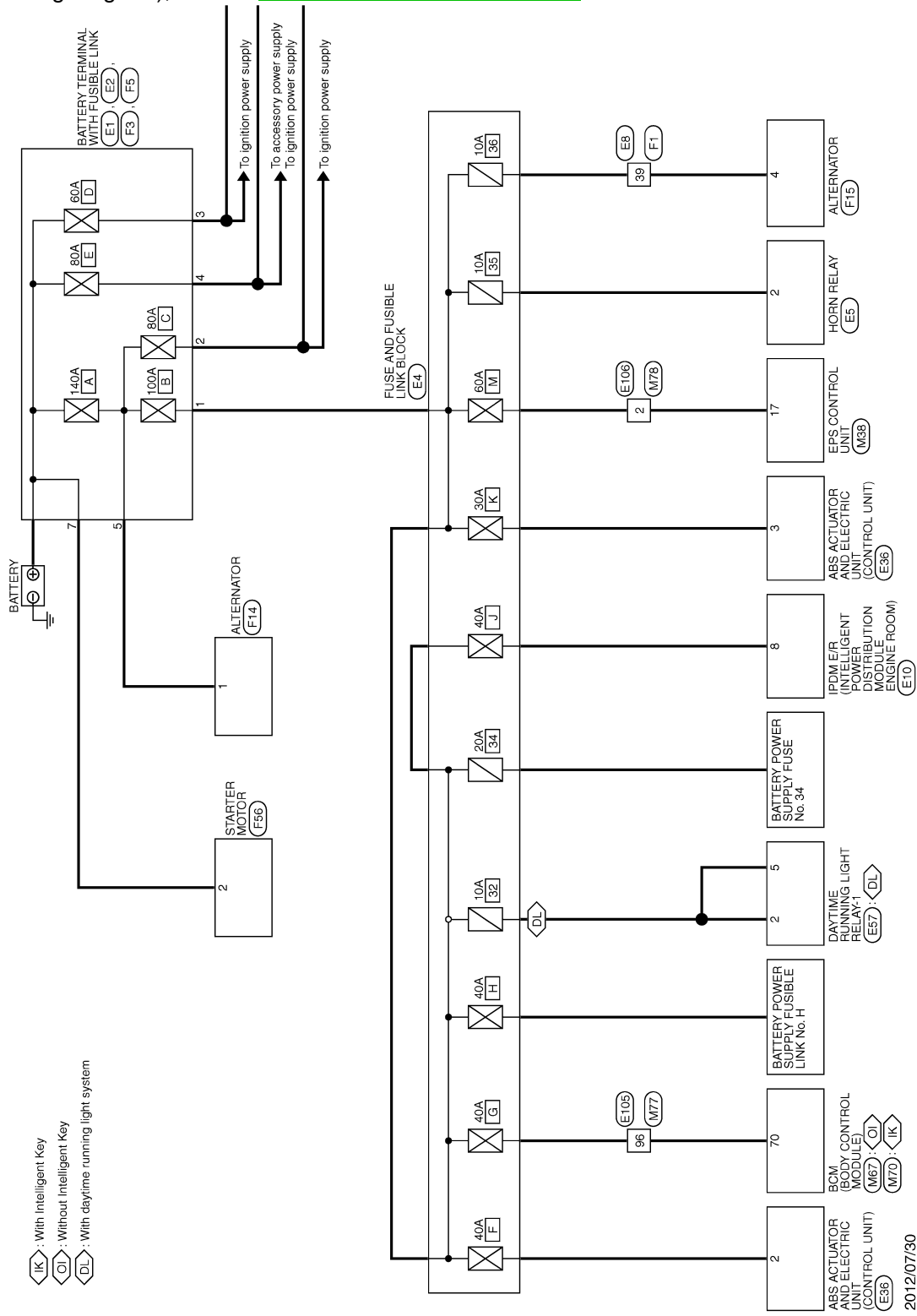
POWER SUPPLY ROUTING CIRCUIT

Wiring Diagram - BATTERY POWER SUPPLY -

INFOID:000000008449515

For connector terminal arrangements, harness layouts, and alphabets in a  (option abbreviation; if not described in wiring diagram), refer to [GI-12. "Connector Information"](#).

BATTERY POWER SUPPLY

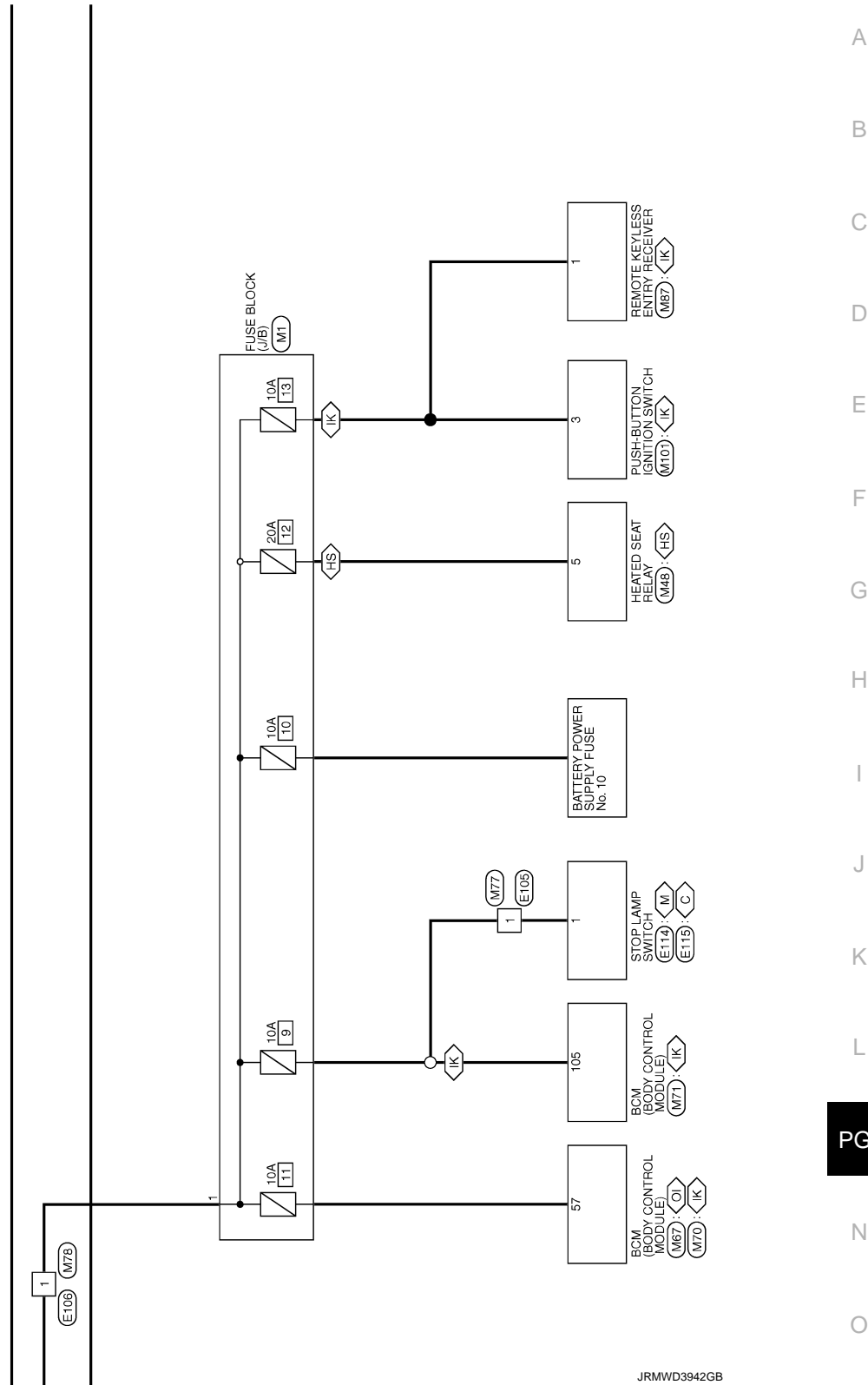


POWER SUPPLY ROUTING CIRCUIT

[POWER SUPPLY & GROUND CIRCUIT]

< DTC/CIRCUIT DIAGNOSIS >

- ◻ C : With CVT
- ◻ M : With M/T
- ◻ IK : With Intelligent Key
- ◻ OI : Without Intelligent Key
- ◻ HS : With heated seat



JRMWD3942GB

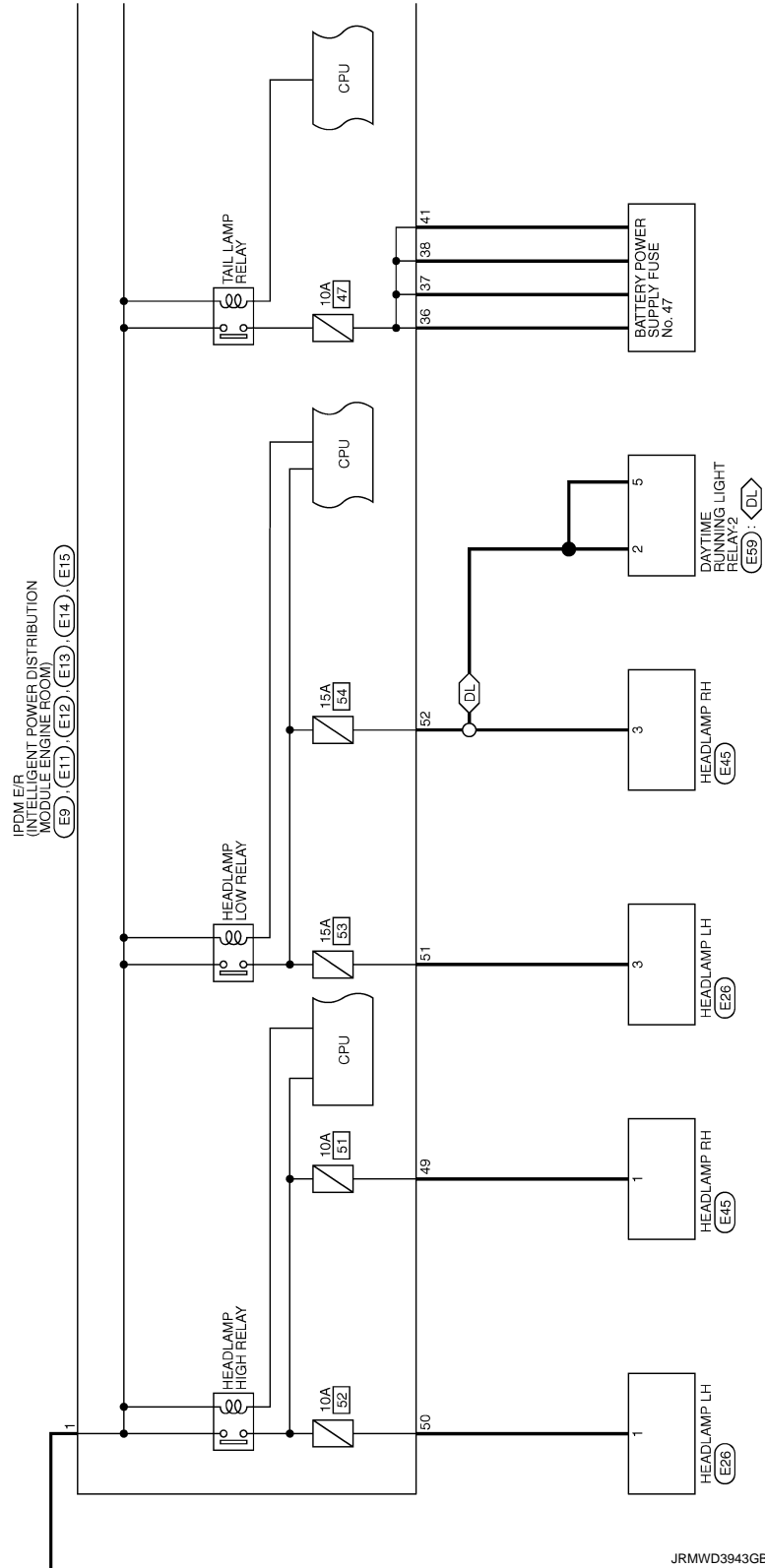
A
B
C
D
E
F
G
H
I
J
K
L
PG
N
O
P

POWER SUPPLY ROUTING CIRCUIT

[POWER SUPPLY & GROUND CIRCUIT]

< DTC/CIRCUIT DIAGNOSIS >

DL : With daytime running light system

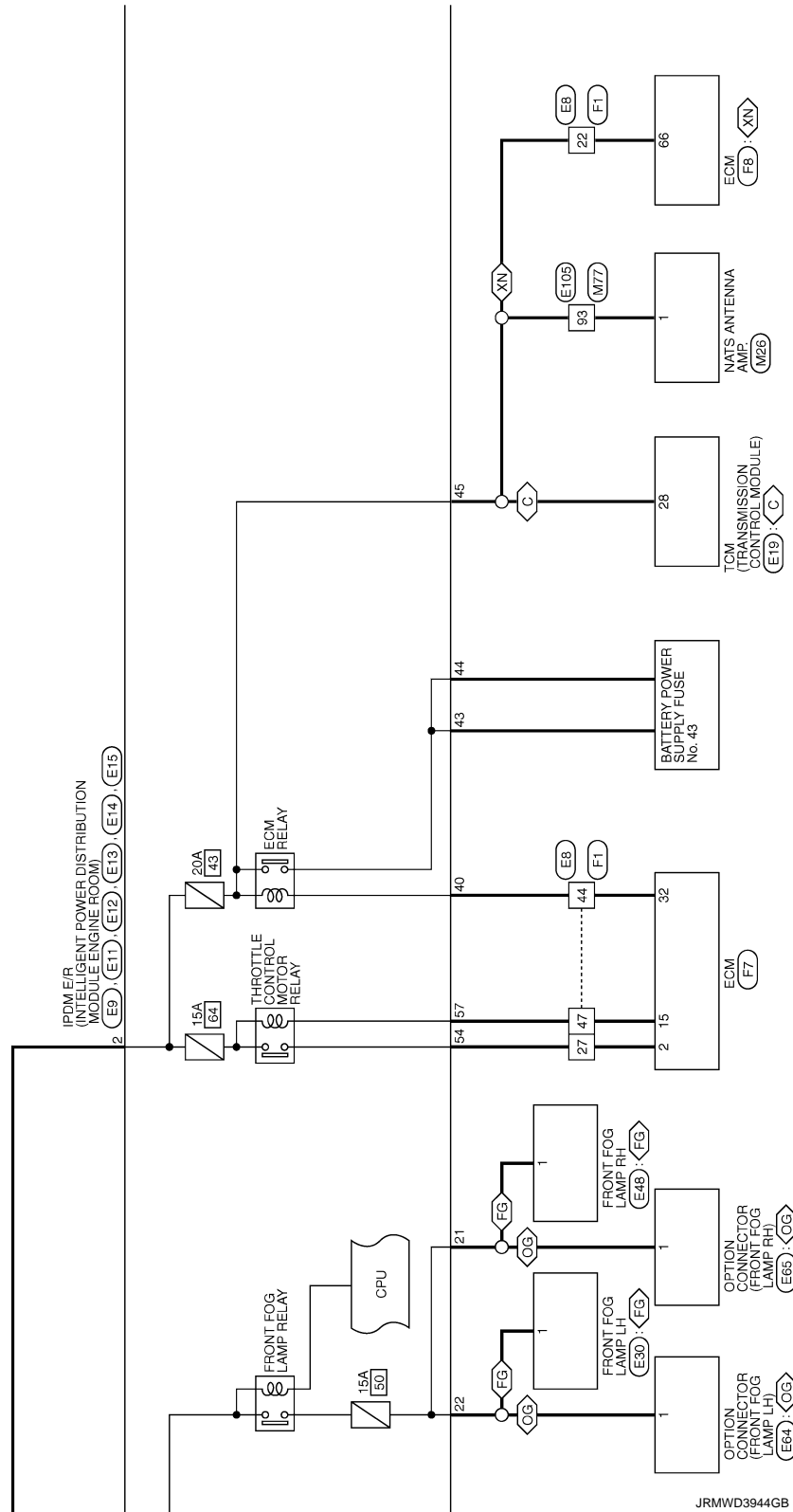


POWER SUPPLY ROUTING CIRCUIT

[POWER SUPPLY & GROUND CIRCUIT]

< DTC/CIRCUIT DIAGNOSIS >

- XN : Except for Canada
- C : With CVT
- EG : With front fog lamp
- OG : Without front fog lamp

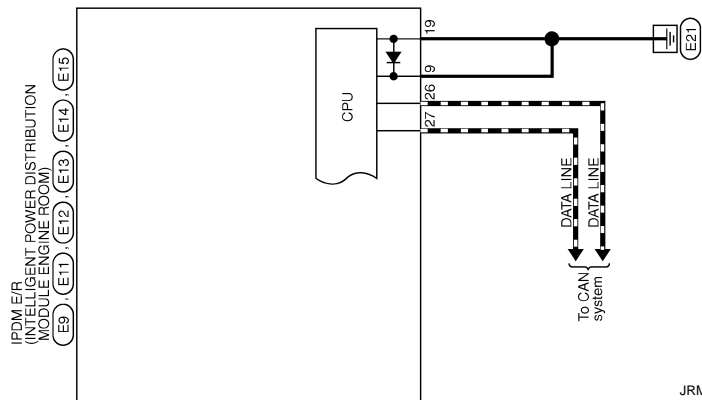


A
B
C
D
E
F
G
H
I
J
K
L
PG
N
O
P

POWER SUPPLY ROUTING CIRCUIT

< DTC/CIRCUIT DIAGNOSIS >

[POWER SUPPLY & GROUND CIRCUIT]



JRMWD3945GB

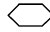
POWER SUPPLY ROUTING CIRCUIT

< DTC/CIRCUIT DIAGNOSIS >

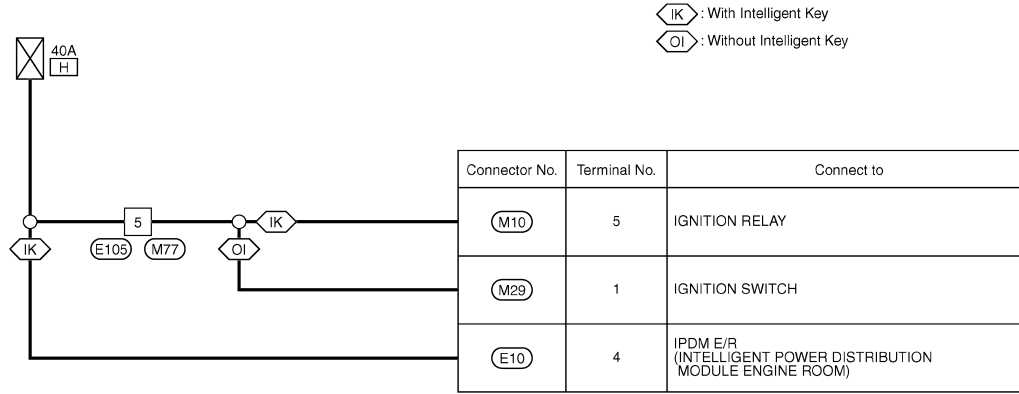
[POWER SUPPLY & GROUND CIRCUIT]

Wiring Diagram - BATTERY POWER SUPPLY FUSIBLE LINK No. H -

INFOID:000000008449516

For connector terminal arrangements, harness layouts, and alphabets in a  (option abbreviation; if not described in wiring diagram), refer to [GI-12, "Connector Information"](#).

BATTERY POWER SUPPLY FUSIBLE LINK No. H



A
B
C
D
E
F
G
H
I
J
K
L
PG
N
O
P

2009/02/27

JCMWM4114GB

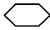
POWER SUPPLY ROUTING CIRCUIT

< DTC/CIRCUIT DIAGNOSIS >

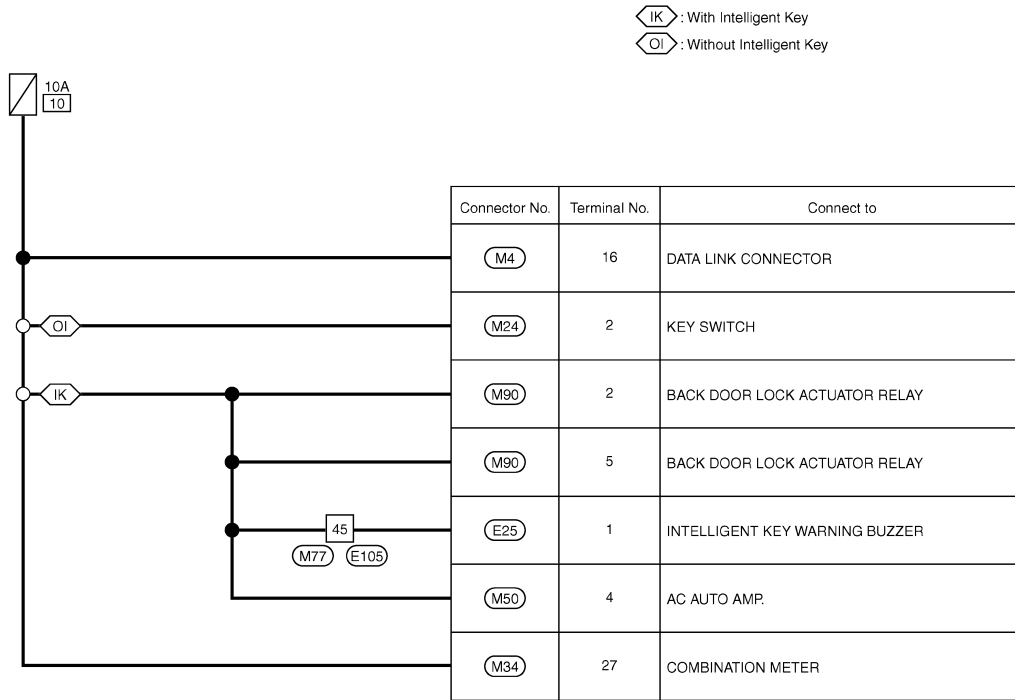
[POWER SUPPLY & GROUND CIRCUIT]

Wiring Diagram - BATTERY POWER SUPPLY FUSE No. 10 -

INFOID:000000008449517

For connector terminal arrangements, harness layouts, and alphabets in a  (option abbreviation; if not described in wiring diagram), refer to [GI-12, "Connector Information"](#).

BATTERY POWER SUPPLY FUSE No. 10



2012/07/30

JRMWD3946GB

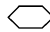
POWER SUPPLY ROUTING CIRCUIT

< DTC/CIRCUIT DIAGNOSIS >

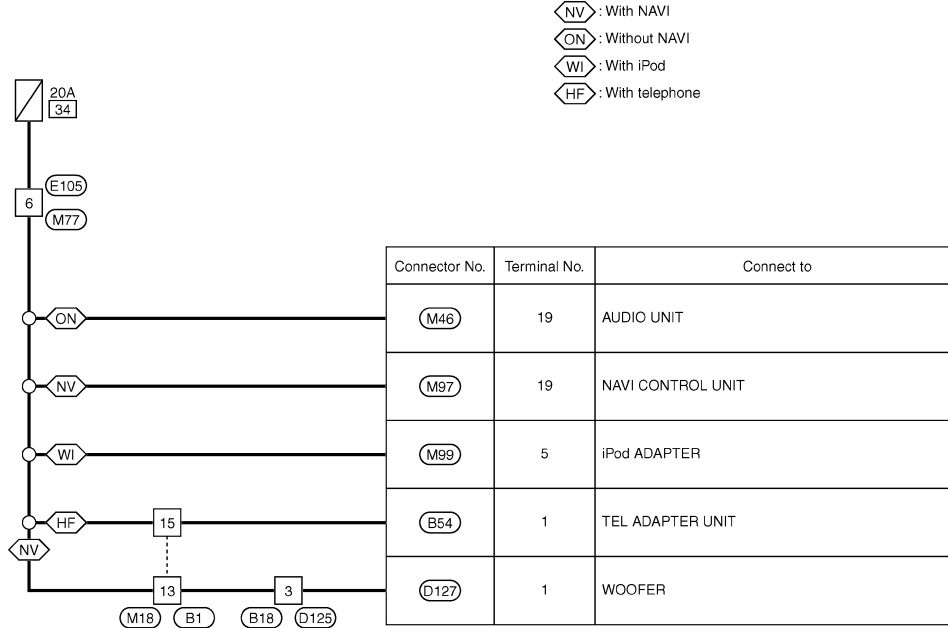
[POWER SUPPLY & GROUND CIRCUIT]

Wiring Diagram - BATTERY POWER SUPPLY FUSE No. 34 -

INFOID:000000008449518

For connector terminal arrangements, harness layouts, and alphabets in a  (option abbreviation; if not described in wiring diagram), refer to [GI-12. "Connector Information"](#).

BATTERY POWER SUPPLY FUSE No. 34



A
B
C
D
E
F
G
H
I
J
K
L
N
O
P

PG

2010/10/14

JCMWN0421GB

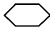
POWER SUPPLY ROUTING CIRCUIT

< DTC/CIRCUIT DIAGNOSIS >


[POWER SUPPLY & GROUND CIRCUIT]

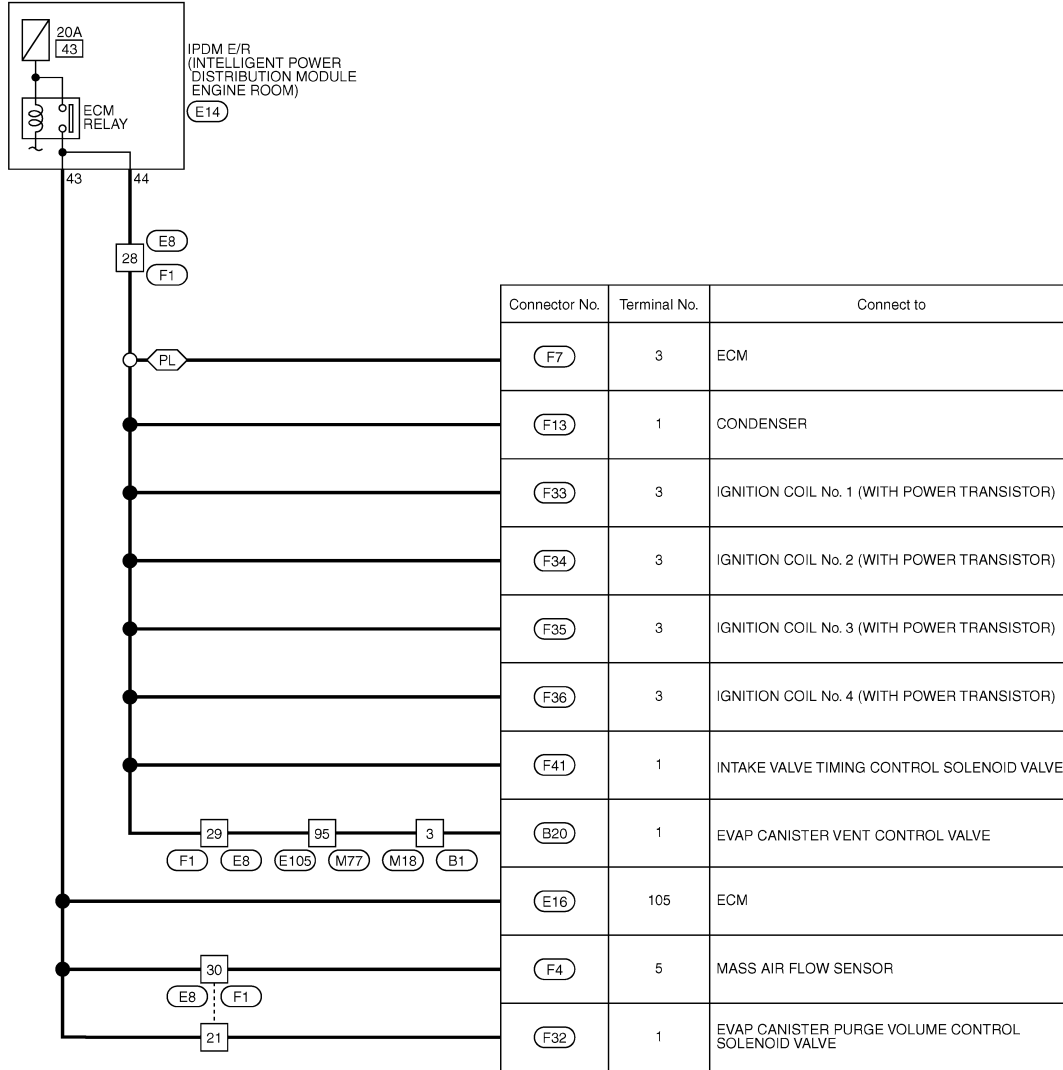
Wiring Diagram - BATTERY POWER SUPPLY FUSE No. 43 -

INFOID:000000008449519

For connector terminal arrangements, harness layouts, and alphabets in a  (option abbreviation; if not described in wiring diagram), refer to [GI-12, "Connector Information"](#).

BATTERY POWER SUPPLY FUSE No. 43

: For California



2010/10/14

JCMWN0425GB

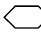
POWER SUPPLY ROUTING CIRCUIT

[POWER SUPPLY & GROUND CIRCUIT]

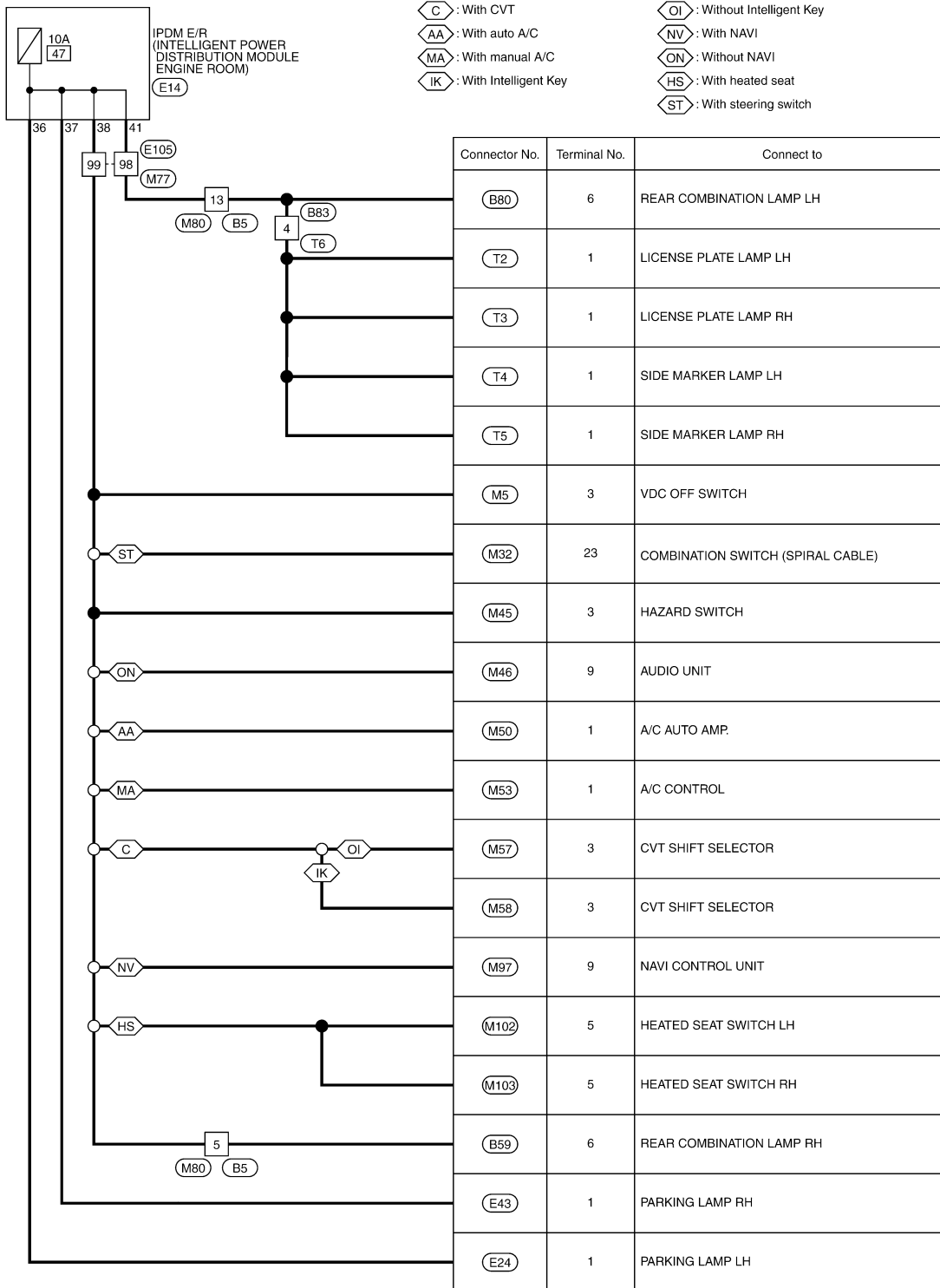
< DTC/CIRCUIT DIAGNOSIS >

Wiring Diagram - BATTERY POWER SUPPLY FUSE No. 47 -

INFOID:000000008449520

For connector terminal arrangements, harness layouts, and alphabets in a  (option abbreviation; if not described in wiring diagram), refer to [GI-12, "Connector Information"](#).

BATTERY POWER SUPPLY FUSE No. 47



2011/10/07

JRMWC6578GB

A
B
C
D
E
F
G
H
I
J
K
L
PG
N
O
P

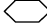
POWER SUPPLY ROUTING CIRCUIT

< DTC/CIRCUIT DIAGNOSIS >

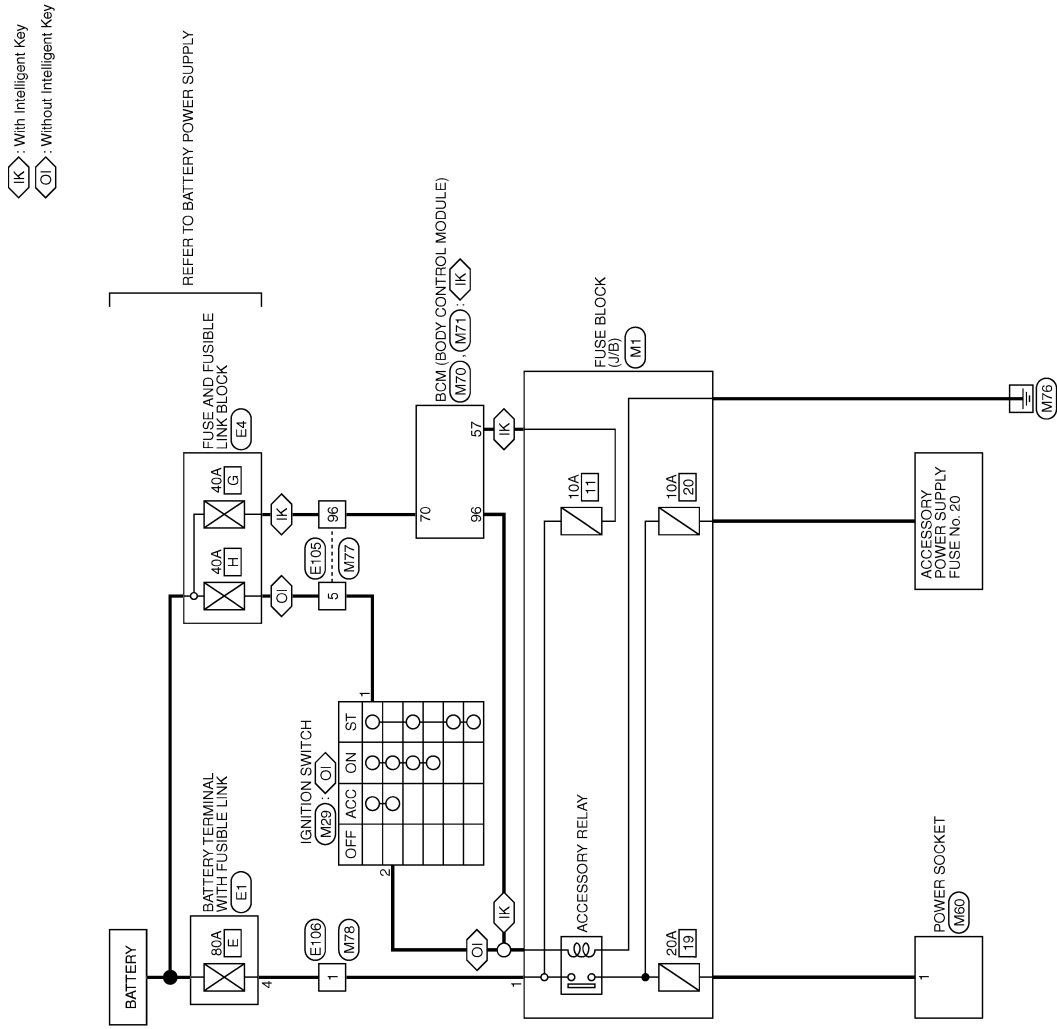
[POWER SUPPLY & GROUND CIRCUIT]

Wiring Diagram - ACCESSORY POWER SUPPLY -

INFOID:000000008449521

For connector terminal arrangements, harness layouts, and alphabets in a  (option abbreviation; if not described in wiring diagram), refer to [GI-12, "Connector Information"](#).

ACCESSORY POWER SUPPLY



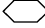
POWER SUPPLY ROUTING CIRCUIT

< DTC/CIRCUIT DIAGNOSIS >

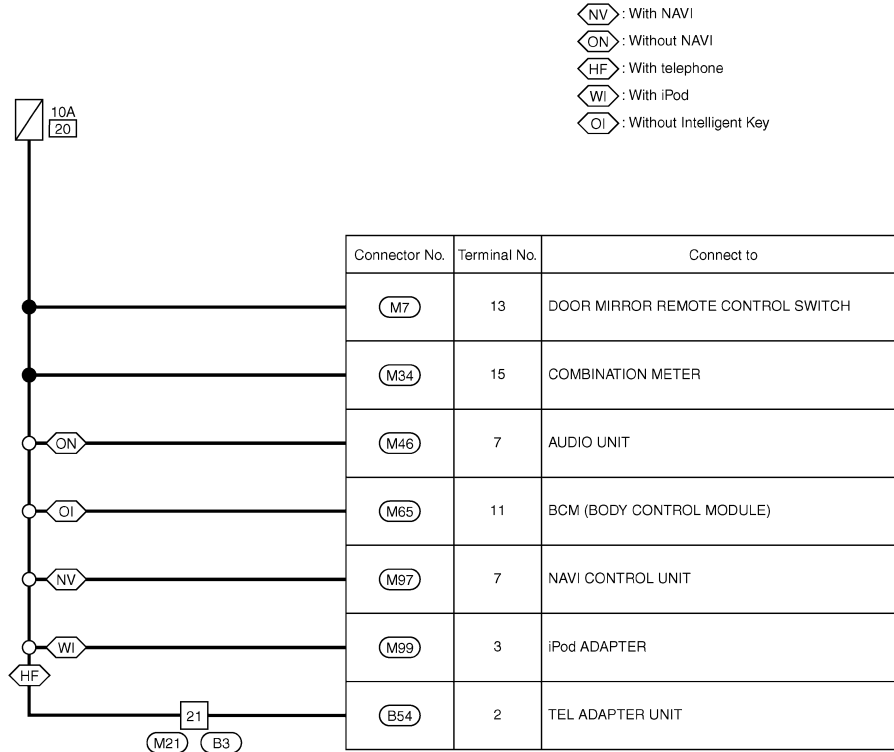
[POWER SUPPLY & GROUND CIRCUIT]

Wiring Diagram - ACCESSORY POWER SUPPLY FUSE No. 20 -

INFOID:000000008449522

For connector terminal arrangements, harness layouts, and alphabets in a  (option abbreviation; if not described in wiring diagram), refer to [GI-12, "Connector Information"](#).

ACCESSORY POWER SUPPLY FUSE No. 20



A
B
C
D
E
F
G
H
I
J
K
L
PG
N
O
P

2010/10/14

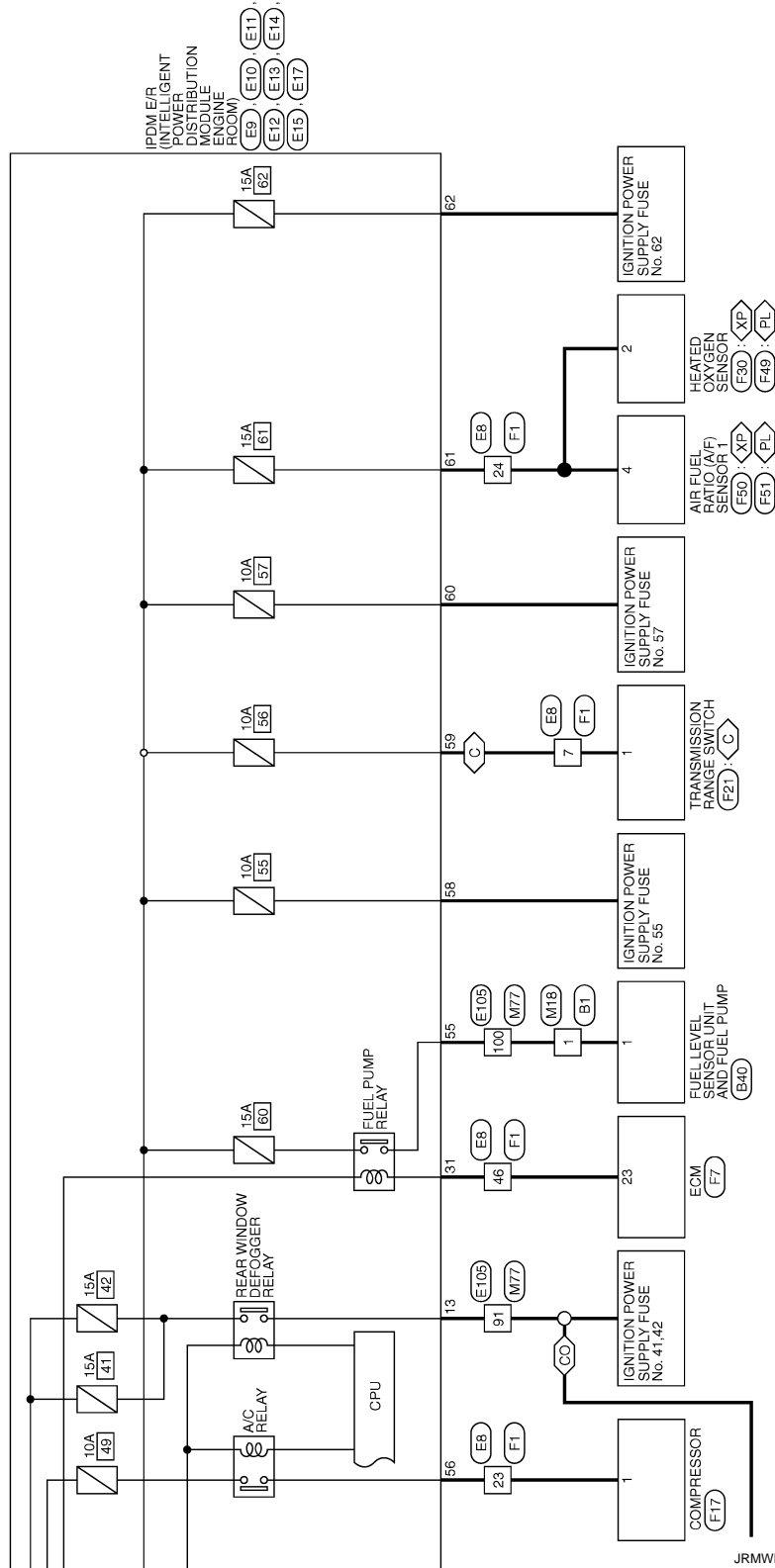
JCMWN0437GB

POWER SUPPLY ROUTING CIRCUIT

< DTC/CIRCUIT DIAGNOSIS >

[POWER SUPPLY & GROUND CIRCUIT]

- : For cold areas
- : With CVT
- : Except for California
- : For California



JRMWD3950GB

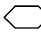
POWER SUPPLY ROUTING CIRCUIT

< DTC/CIRCUIT DIAGNOSIS >

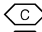
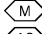

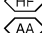
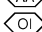
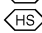

[POWER SUPPLY & GROUND CIRCUIT]

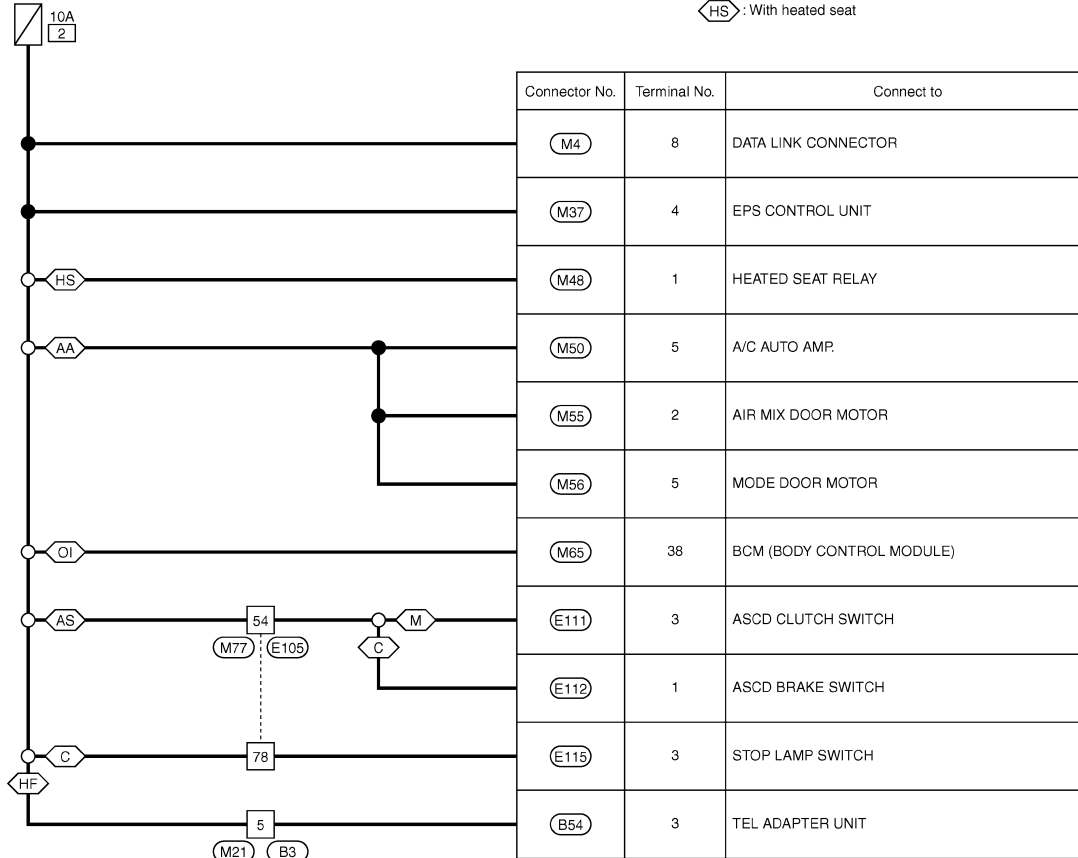
Wiring Diagram - IGNITION POWER SUPPLY FUSE No. 2 -

INFOID:000000008449524

For connector terminal arrangements, harness layouts, and alphabets in a  (option abbreviation; if not described in wiring diagram), refer to [GI-12. "Connector Information"](#).

IGNITION POWER SUPPLY FUSE No. 2

-  : With CVT
-  : With M/T
-  : With ASCD
-  : With telephone
-  : With auto A/C
-  : Without Intelligent Key
-  : With heated seat



2010/10/14

JCMWN0448GB

A
B
C
D
E
F
G
H
I
J
K
L
N
O
P

PG

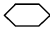
POWER SUPPLY ROUTING CIRCUIT

< DTC/CIRCUIT DIAGNOSIS >



[POWER SUPPLY & GROUND CIRCUIT]

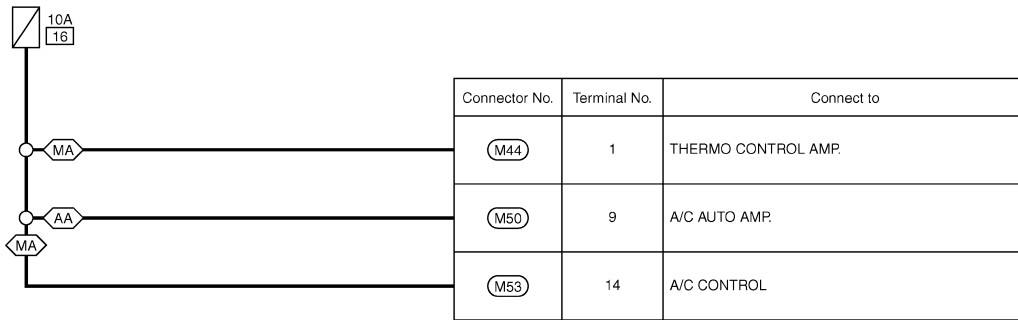
Wiring Diagram - IGNITION POWER SUPPLY FUSE No. 16 -

INFOID:000000008449525

For connector terminal arrangements, harness layouts, and alphabets in a  (option abbreviation; if not described in wiring diagram), refer to [GI-12, "Connector Information"](#).

IGNITION POWER SUPPLY FUSE No. 16

 : With auto A/C
 : With manual A/C



2009/10/02

JCMWWM5388GB

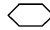
POWER SUPPLY ROUTING CIRCUIT

< DTC/CIRCUIT DIAGNOSIS >

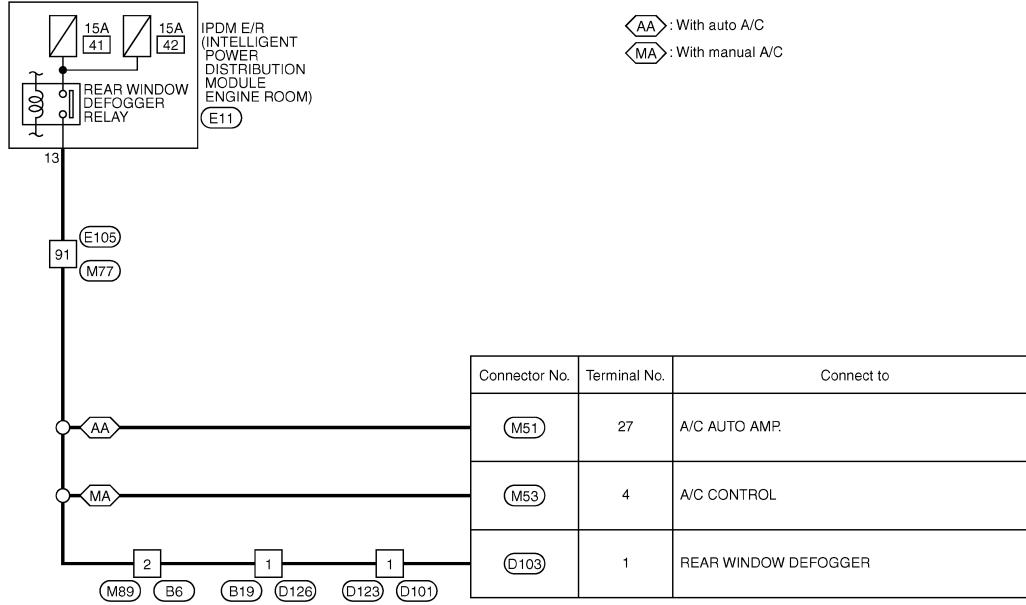
[POWER SUPPLY & GROUND CIRCUIT]

Wiring Diagram - IGNITION POWER SUPPLY FUSE No. 41, 42 -

INFOID:000000008449526

For connector terminal arrangements, harness layouts, and alphabets in a  (option abbreviation; if not described in wiring diagram), refer to [GI-12, "Connector Information"](#).

IGNITION POWER SUPPLY FUSE No. 41, 42



2010/10/14

JCMWN0453GB

A
B
C
D
E
F
G
H
I
J
K
L
N
O
P

PG

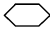
POWER SUPPLY ROUTING CIRCUIT

< DTC/CIRCUIT DIAGNOSIS >

[POWER SUPPLY & GROUND CIRCUIT]

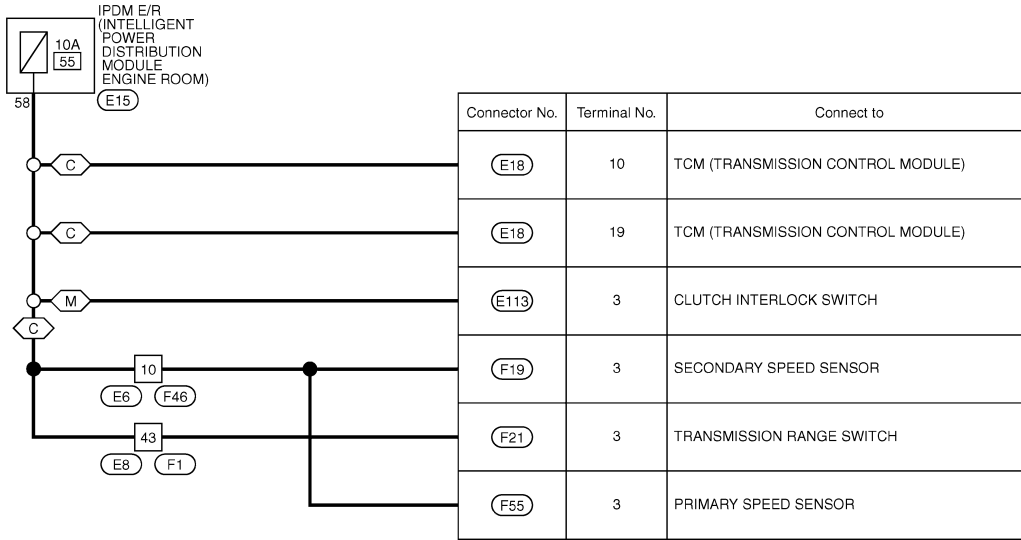
Wiring Diagram - IGNITION POWER SUPPLY FUSE No. 55 -

INFOID:000000008449527

For connector terminal arrangements, harness layouts, and alphabets in a  (option abbreviation; if not described in wiring diagram), refer to [GI-12, "Connector Information"](#).

IGNITION POWER SUPPLY FUSE No. 55

 : With CVT
 : With M/T



2009/02/27

JCMWM4154GB

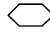
POWER SUPPLY ROUTING CIRCUIT

< DTC/CIRCUIT DIAGNOSIS >

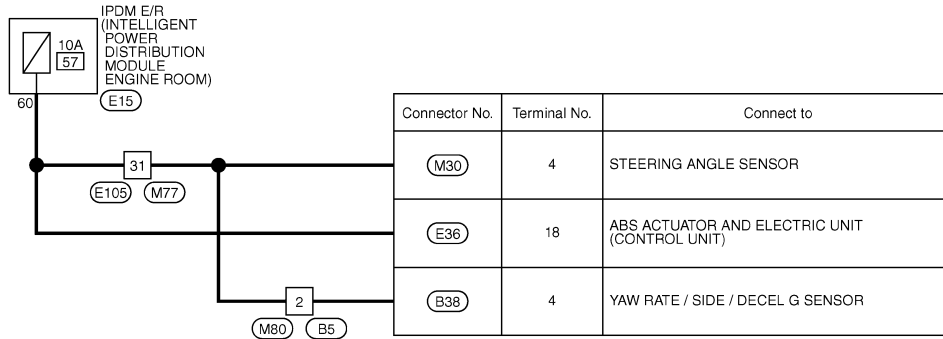
[POWER SUPPLY & GROUND CIRCUIT]

Wiring Diagram - IGNITION POWER SUPPLY FUSE No. 57 -

INFOID:000000008449528

For connector terminal arrangements, harness layouts, and alphabets in a  (option abbreviation; if not described in wiring diagram), refer to [GI-12. "Connector Information"](#).

IGNITION POWER SUPPLY FUSE No. 57



A
B
C
D
E
F
G
H
I
J
K
L
N
O
P

PG

2009/02/27

JCMWM4157GB

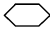
POWER SUPPLY ROUTING CIRCUIT

< DTC/CIRCUIT DIAGNOSIS >

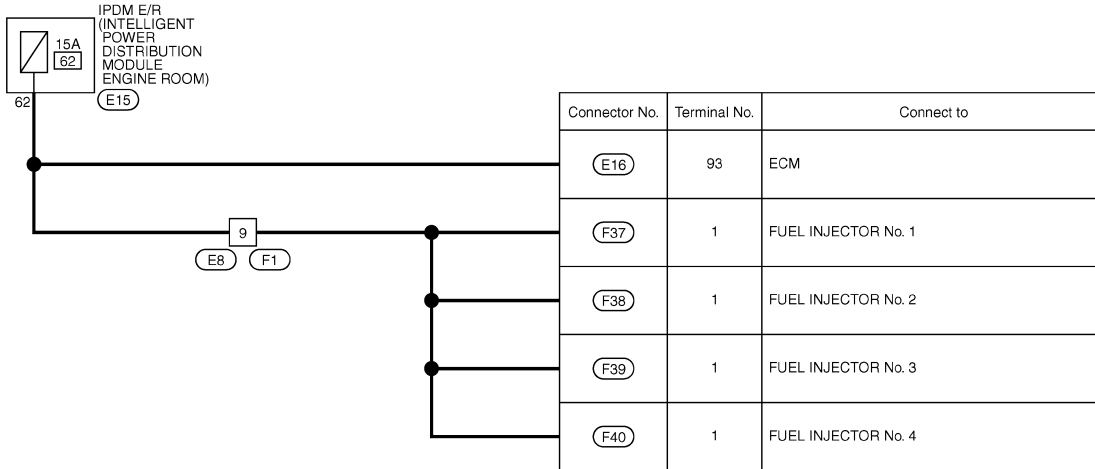
[POWER SUPPLY & GROUND CIRCUIT]

Wiring Diagram - IGNITION POWER SUPPLY FUSE No. 62 -

INFOID:000000008449529

For connector terminal arrangements, harness layouts, and alphabets in a  (option abbreviation; if not described in wiring diagram), refer to [GI-12, "Connector Information"](#).

IGNITION POWER SUPPLY FUSE No. 62



2009/02/27

JCMWM4159GB

POWER SUPPLY ROUTING CIRCUIT

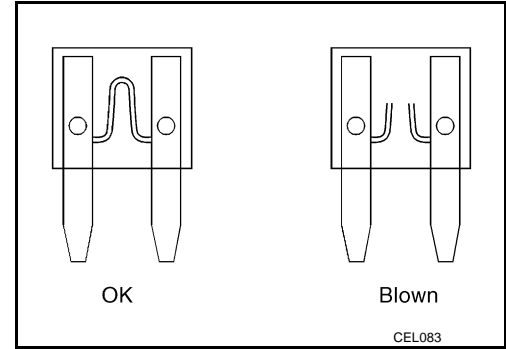
< DTC/CIRCUIT DIAGNOSIS >

[POWER SUPPLY & GROUND CIRCUIT]

Fuse

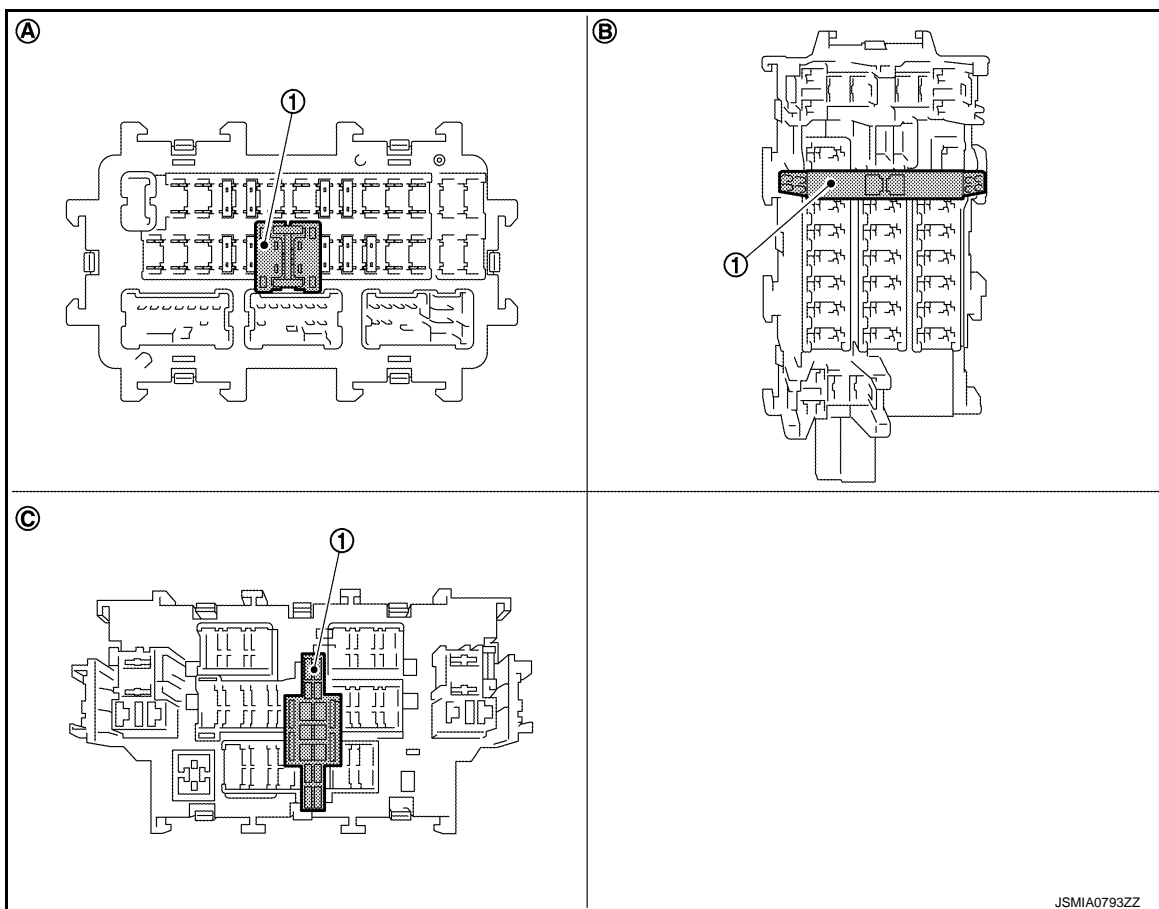
INFOID:000000008449530

- If fuse is blown, be sure to eliminate cause of malfunction before installing new fuse.
- Use fuse of specified rating. Never use fuse of more than specified rating.
- Do not partially install fuse; always insert it into fuse holder properly.
- Remove fuse for "ELECTRICAL PARTS (BAT)" if vehicle is not used for a long period of time.



EXTENDED STORAGE FUSE SWITCH (IF EQUIPPED)

The following switch may be mounted on the fuse block (Junction Box) for transportation and storage.



1. Extended storage fuse switch

A. Type A

B. Type B

C. Type C

- Remove the extended storage fuse switch when replacing the fuse of extended storage fuse switch.
- Remove the extended storage fuse switch if it causes the interference when the fuse or the other fuses is checked.

How To Extended Storage Fuse Switch ON/OFF

CAUTION:

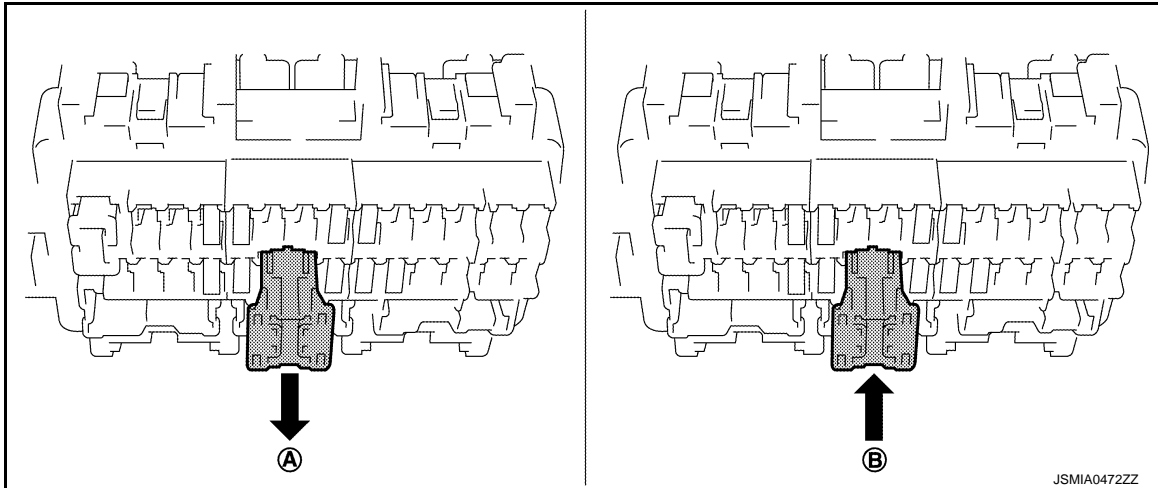
- Turn the ignition switch OFF when operating the extended storage fuse switch.
- Under normal conditions, keep the extended storage fuse switch in ON state. Never operate the extended storage fuse switch except when necessary.

POWER SUPPLY ROUTING CIRCUIT

< DTC/CIRCUIT DIAGNOSIS >

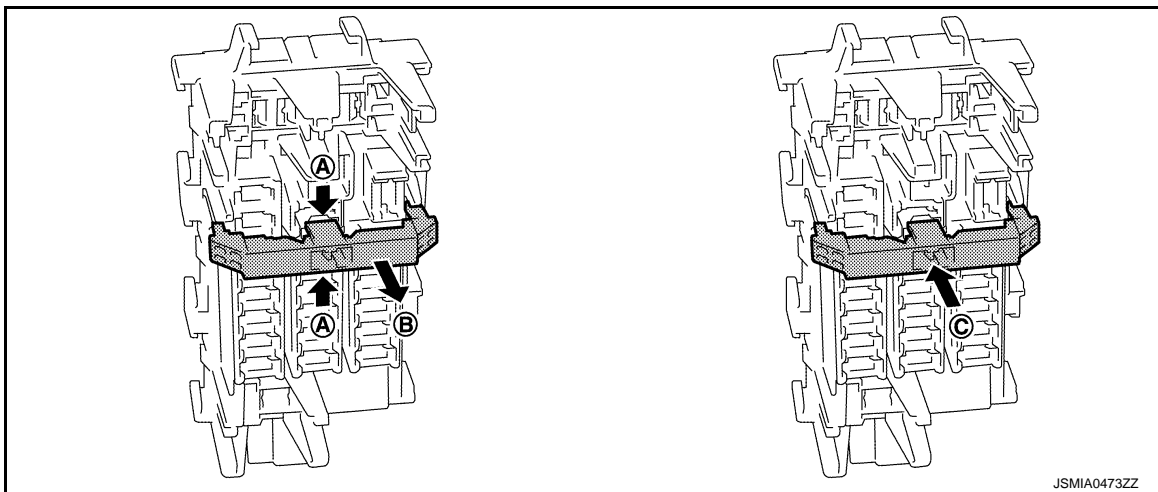
[POWER SUPPLY & GROUND CIRCUIT]

- Type A



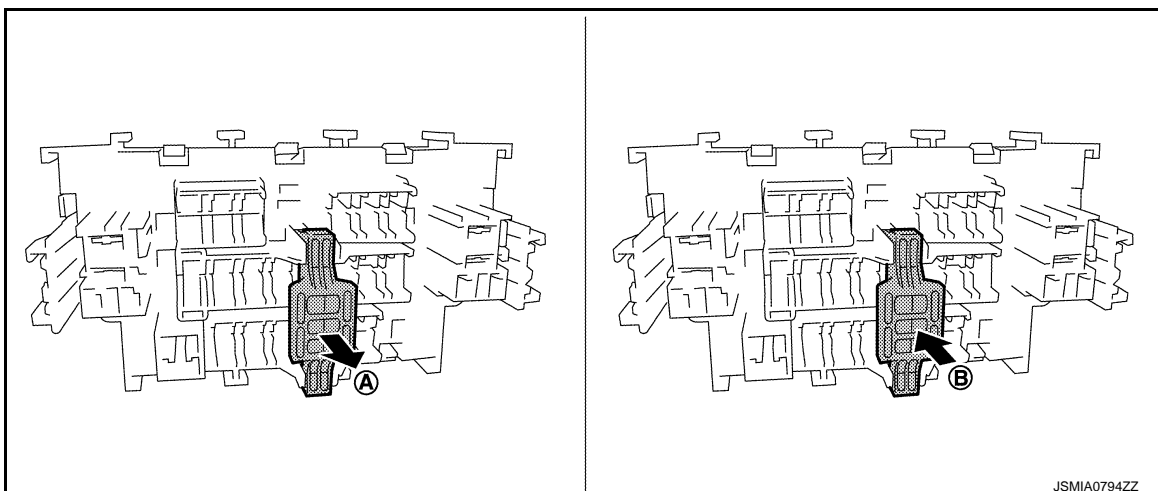
- To turn the extended storage fuse switch OFF, pull it up in (A) direction as shown in the figure.
- To turn the extended storage fuse switch ON, press it in (B) direction as shown in the figure.

- Type B



- To turn the extended storage fuse switch OFF, hold (A) of the switch and pull up in (B) direction as shown in the figure.
- To turn the extended storage fuse switch ON, press it in (C) direction as shown in the figure.

- Type C



- To turn the extended storage fuse switch OFF, pull it up in (A) direction as shown in the figure.
- To turn the extended storage fuse switch ON, press it in (B) direction as shown in the figure.

How To Remove Extended Storage Fuse Switch

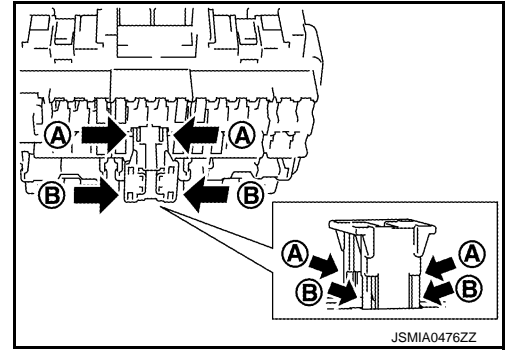
Type A

POWER SUPPLY ROUTING CIRCUIT

[POWER SUPPLY & GROUND CIRCUIT]

< DTC/CIRCUIT DIAGNOSIS >

1. Turn the ignition switch OFF.
2. Turn the extended storage fuse switch OFF.
3. Press pawl (A) and tilt to disengage the extended storage fuse switch. Press pawl (B) and tilt to remove the extended storage fuse switch.

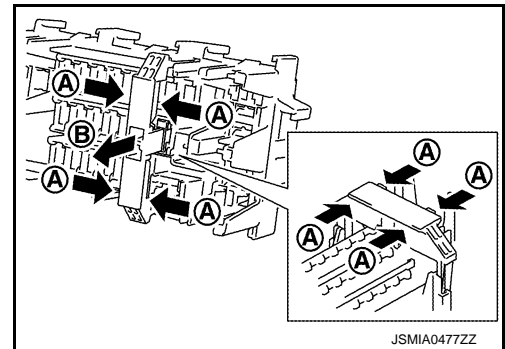


NOTE:

- Extended storage fuse switch and fuse are removed together. Remove fuse from extended storage fuse switch, if necessary.
- Extended storage fuse switch is for transportation and storage. Reinstallation is not required after the removal.

Type B

1. Turn the ignition switch OFF.
2. Turn the extended storage fuse switch OFF.
3. Hold (A) and pull up the extended storage fuse switch hard in (B) direction.

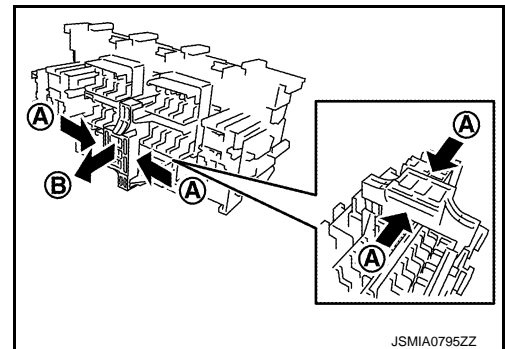


NOTE:

- Extended storage fuse switch and fuse may be removed together. Remove fuse from extended storage fuse switch, if necessary.
- Extended storage fuse switch is for transportation and storage. Reinstallation is not required after the removal.

Type C

1. Turn the ignition switch OFF.
2. Turn the extended storage fuse switch OFF.
3. Hold (A) and pull up the extended storage fuse switch hard in (B) direction.



NOTE:

- Extended storage fuse switch and fuse are removed together. Remove fuse from extended storage fuse switch, if necessary.

A
B
C
D
E
F
G
H
I
J
K
L
PG
N
O
P

POWER SUPPLY ROUTING CIRCUIT

[POWER SUPPLY & GROUND CIRCUIT]

< DTC/CIRCUIT DIAGNOSIS >

- Extended storage fuse switch is for transportation and storage. Reinstallation is not required after the removal.

Fusible Link

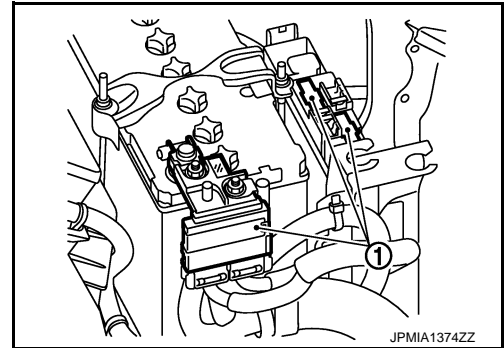
INFOID:000000008449531

A melted fusible link can be detected either by visual inspection or by feeling with finger tip. If its condition is questionable, use circuit tester or test lamp.

1 : Fusible link

CAUTION:

- If fusible link should melt, it is possible that critical circuit (power supply or large current carrying circuit) is shorted. In such a case, carefully check and eliminate cause of malfunction.
- Never wrap outside of fusible link with vinyl tape. Important: Never let fusible link touch any other wiring harness, vinyl or rubber parts.

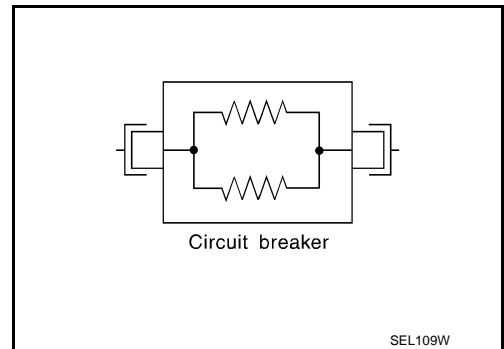


JPMIA1374ZZ

Circuit Breaker

INFOID:000000008449532

The PTC thermistor generates heat in response to current flow. The temperature (and resistance) of the thermistor element varies with current flow. Excessive current flow will cause the element's temperature to rise. When the temperature reaches a specified level, the electrical resistance will rise sharply to control the circuit current. Reduced current flow will cause the element to cool. Resistance falls accordingly and normal circuit current flow is allowed to resume.



SEL109W

OPTION HARNESS

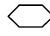
< DTC/CIRCUIT DIAGNOSIS >

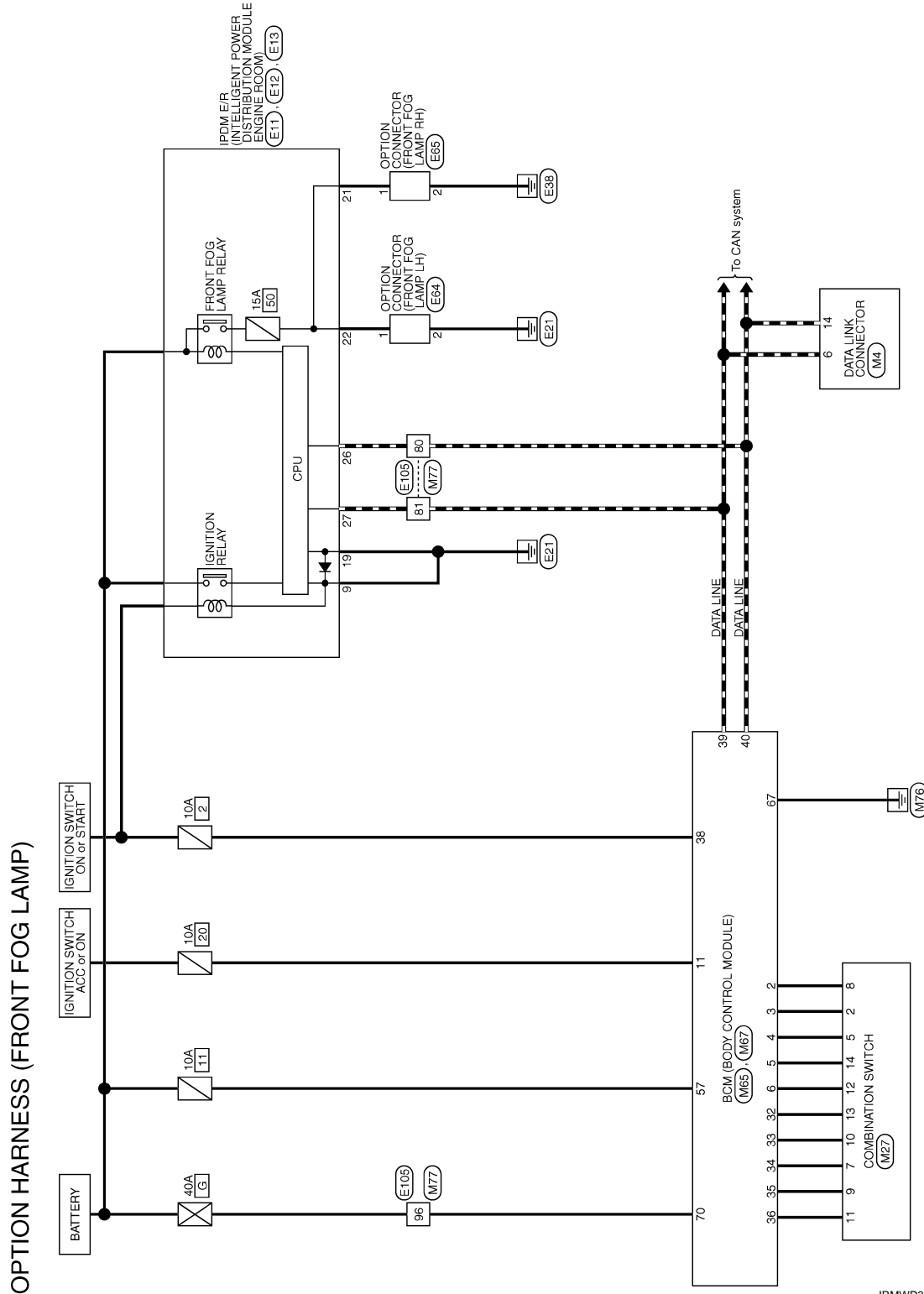
[POWER SUPPLY & GROUND CIRCUIT]

OPTION HARNESS

Wiring Diagram - OPTION HARNESS -

INFOID:000000008449533

For connector terminal arrangements, harness layouts, and alphabets in a  (option abbreviation; if not described in wiring diagram), refer to [GI-12, "Connector Information"](#).



2012/07/30

JRMWD3940GB

A
B
C
D
E
F
G
H
I
J
K
L
N
O
P

PG

HARNESS LAYOUT

< DTC/CIRCUIT DIAGNOSIS >






[POWER SUPPLY & GROUND CIRCUIT]

HARNESS LAYOUT

How To Read Harness Layout

INFOID:000000008449534

Main symbols of connector (in Harness Layout) are indicated in the below.

Connector type	Water proof type		Standard type	
	Male	Female	Male	Female
Connector symbol				
Ground terminal etc.	—			

JPMIA0114GB

HARNES LAYOUT

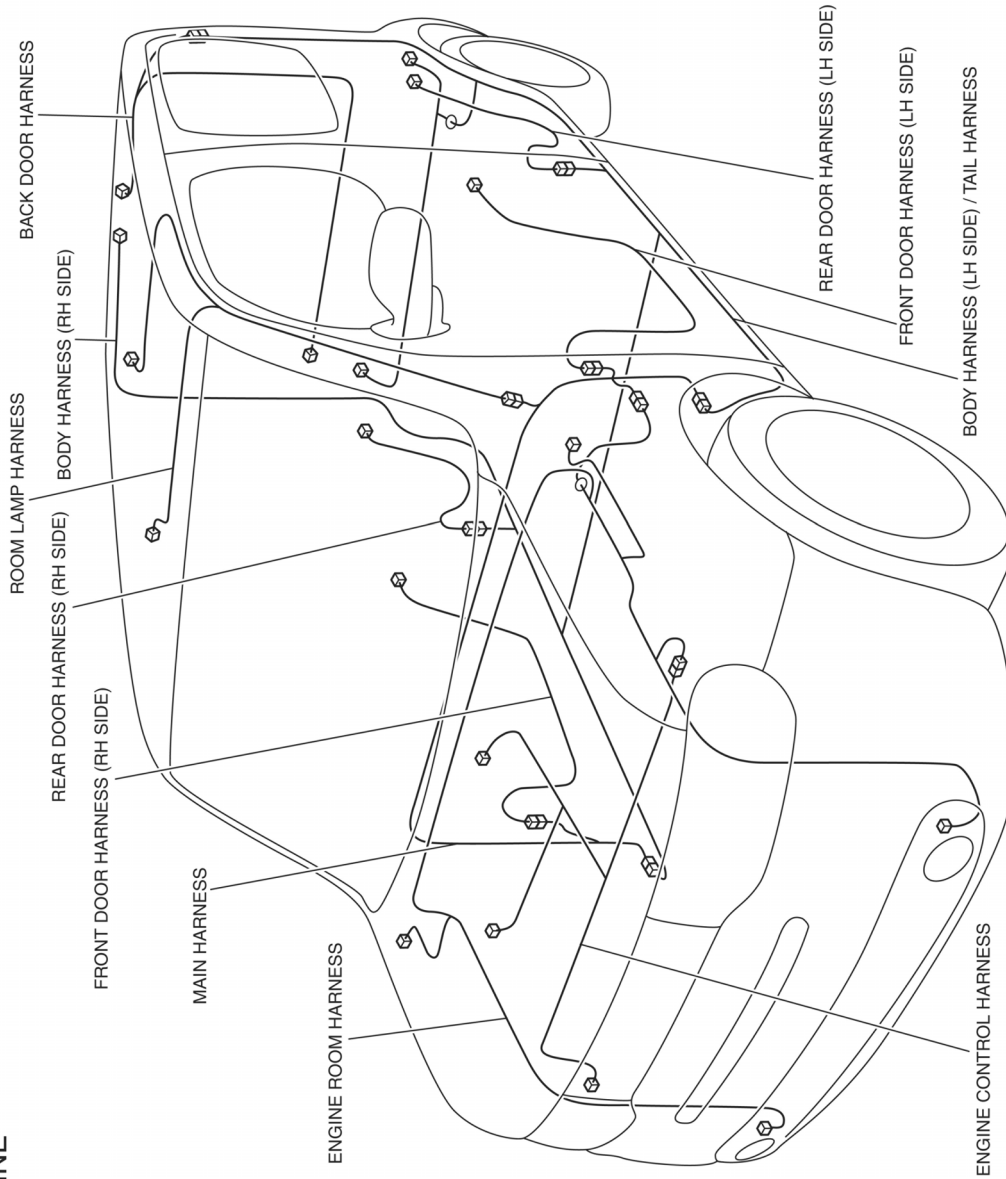
< DTC/CIRCUIT DIAGNOSIS >

[POWER SUPPLY & GROUND CIRCUIT]

Outline

INFOID:000000008802645

OUTLINE



2012/07/30

JRMIC2011GB

A
B
C
D
E
F
G
H
I
J
K
L
PG
N
O
P

HARNESS LAYOUT

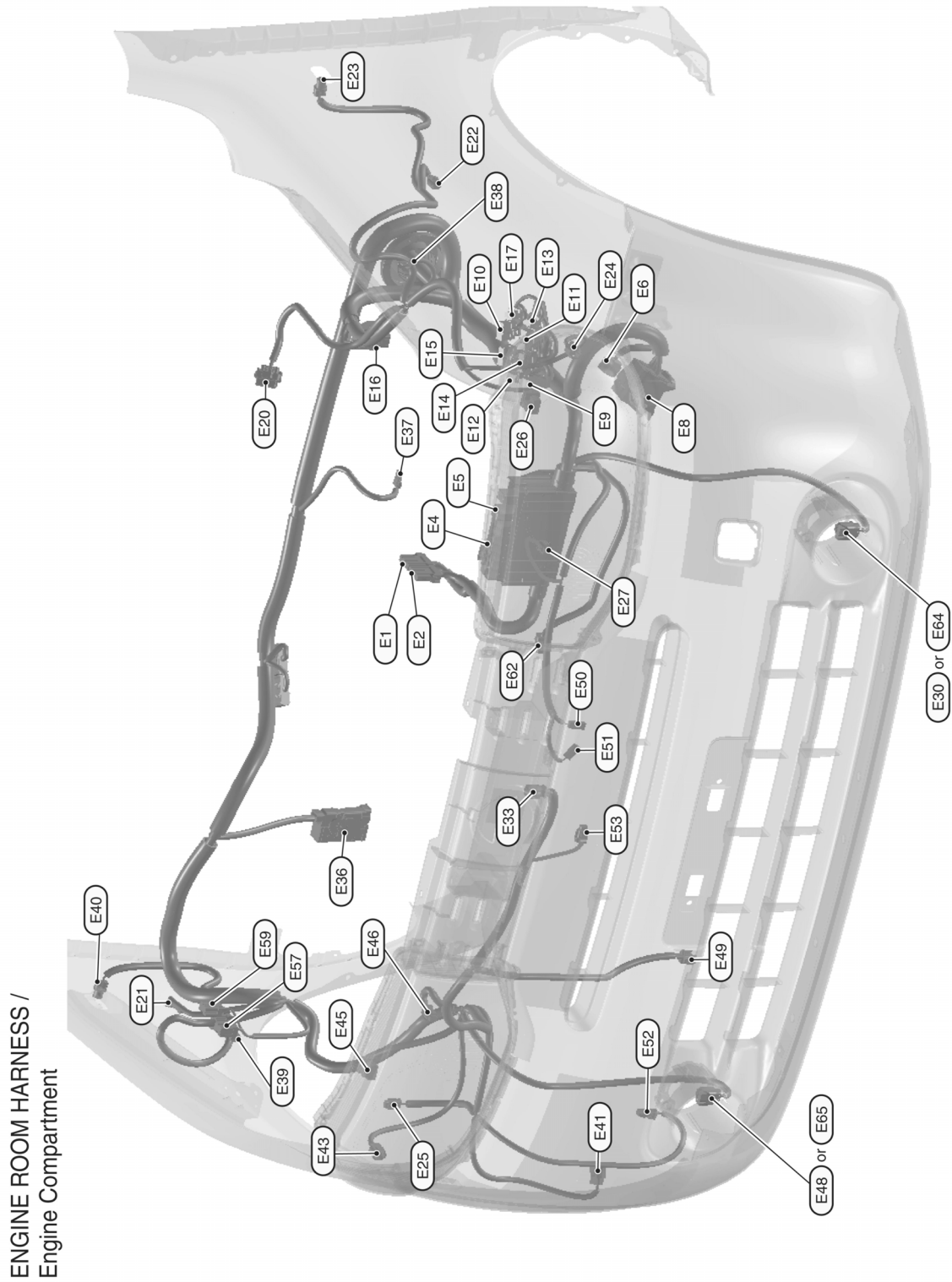
< DTC/CIRCUIT DIAGNOSIS >

[POWER SUPPLY & GROUND CIRCUIT]

Engine Room Harness

INFOID:000000008449535

ENGINE COMPARTMENT



ENGINE ROOM HARNESS /
Engine Compartment

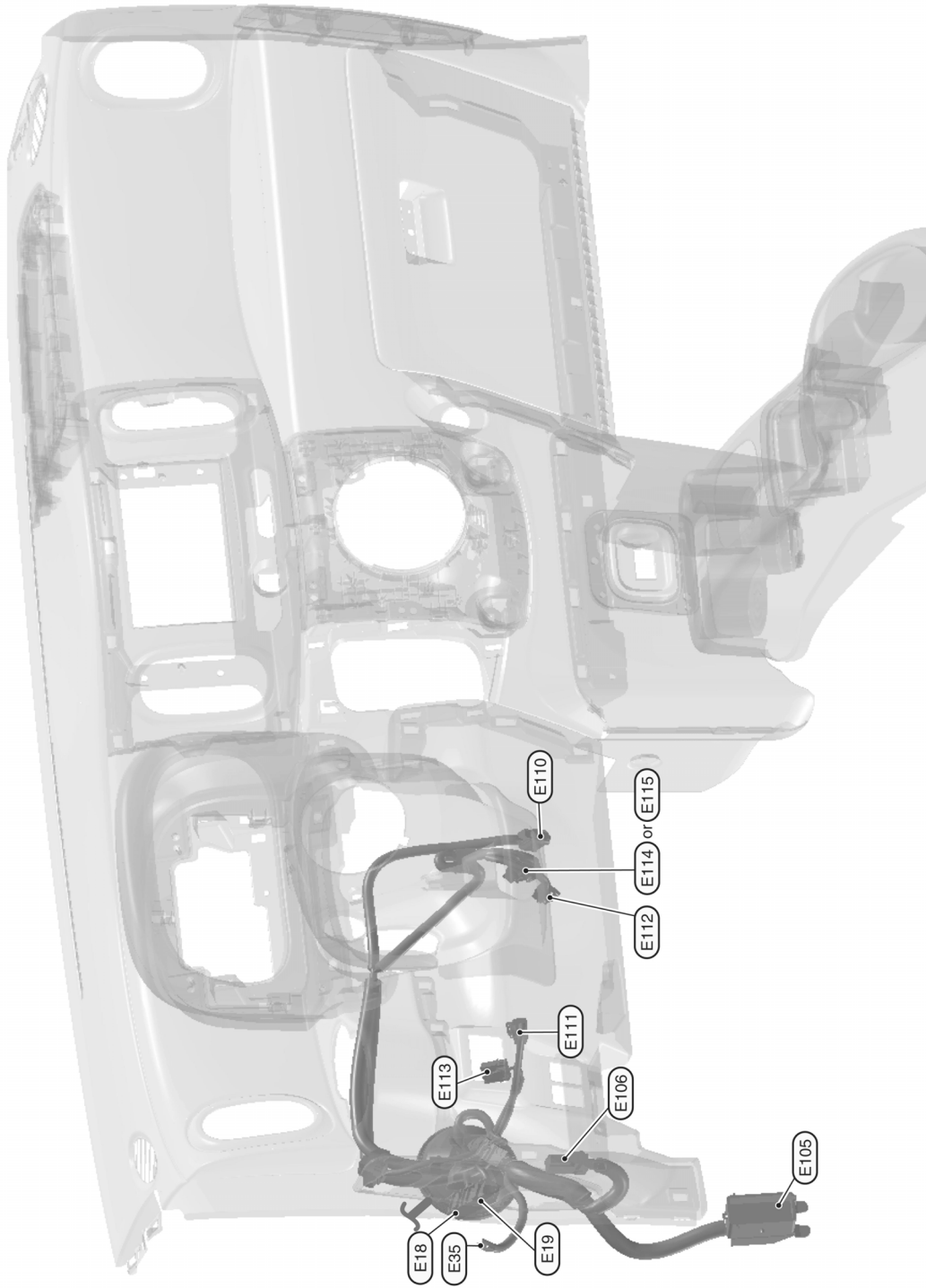
JRMIC2013GB
2012/07/30

HARNES LAYOUT

< DTC/CIRCUIT DIAGNOSIS >
PASSENGER COMPARTMENT

[POWER SUPPLY & GROUND CIRCUIT]

Passenger Compartment



A
B
C
D
E
F
G
H
I
J
K
L
PG
N
O
P

2012/07/30

JRMIC2035GB

HARNES LAYOUT

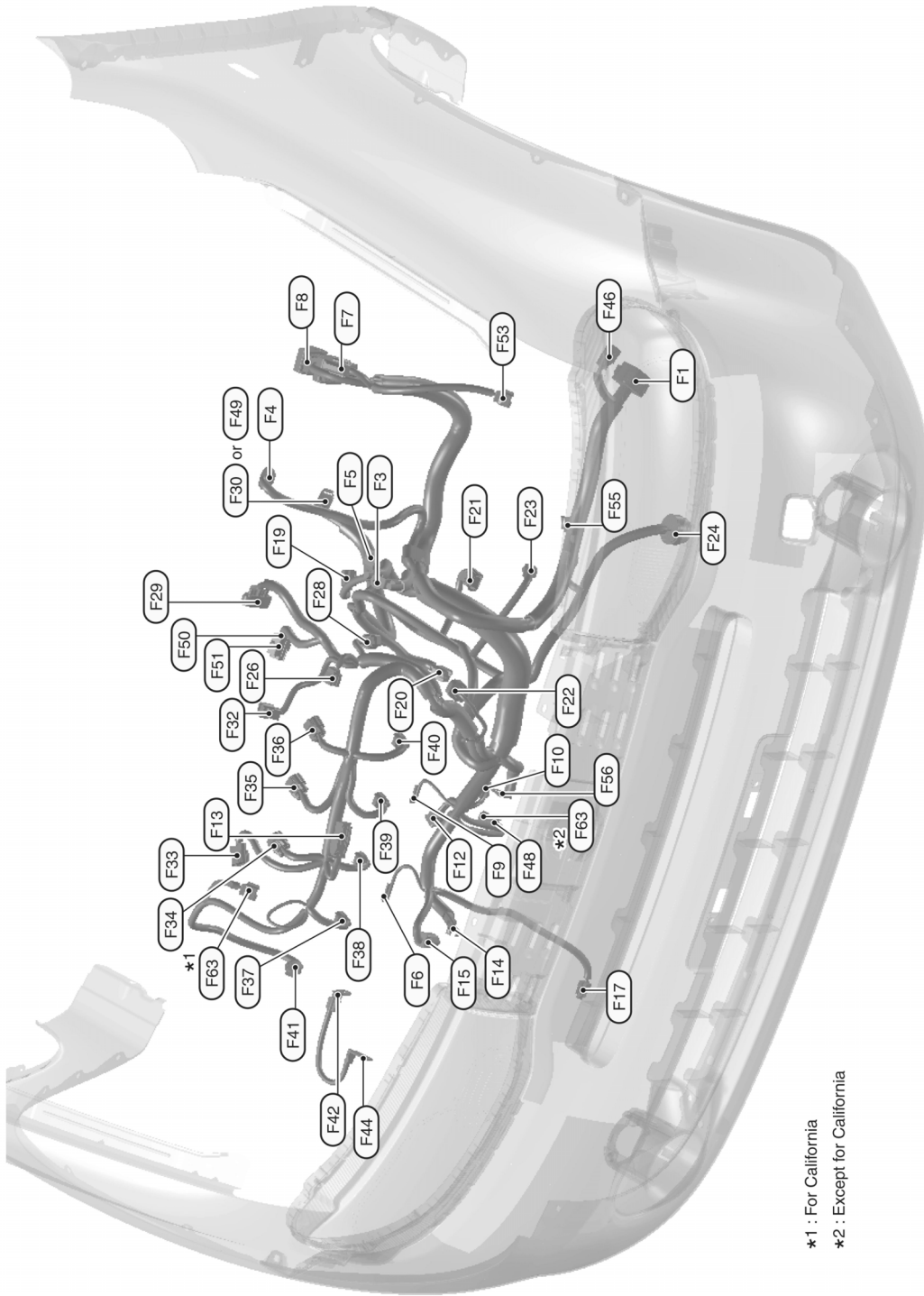
< DTC/CIRCUIT DIAGNOSIS >

[POWER SUPPLY & GROUND CIRCUIT]

Engine Control Harness

INFOID:000000008449536

ENGINE CONTROL HARNESS



*1 : For California

*2 : Except for California

2012/07/30

JRMIC2014GB

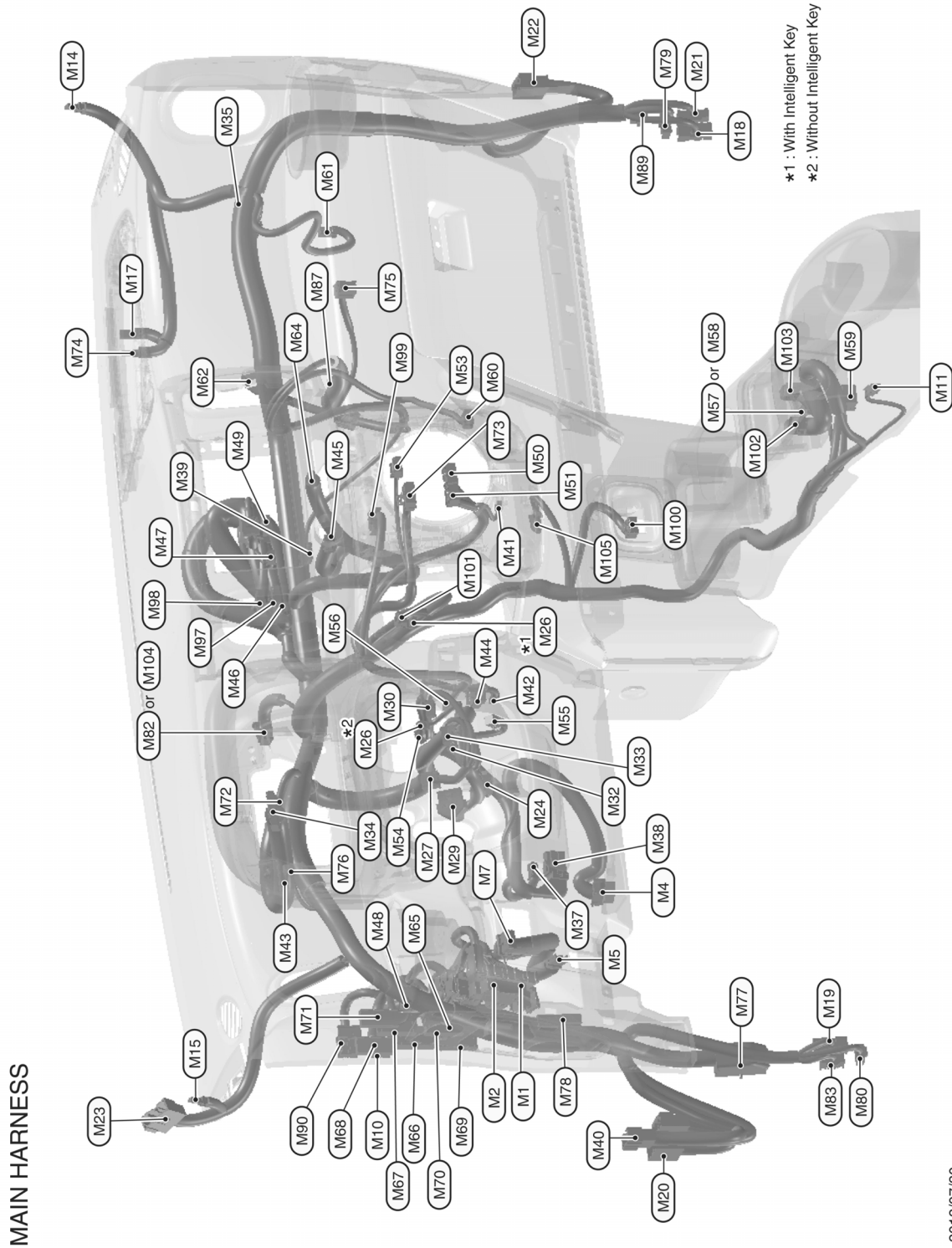
HARNES LAYOUT

< DTC/CIRCUIT DIAGNOSIS >

[POWER SUPPLY & GROUND CIRCUIT]

Main Harness

INFOID:000000008449537



A
B
C
D
E
F
G
H
I
J
K
L
PG
N
O
P

2012/07/30

JRMIC2012GB

HARNESS LAYOUT

< DTC/CIRCUIT DIAGNOSIS >

[POWER SUPPLY & GROUND CIRCUIT]

Body Harness / Tail Harness

INFOID:000000008449538

BODY HARNESS (LH SIDE) / TAIL HARNESS

BODY HARNESS (LH SIDE) / TAIL HARNESS



2012/07/30

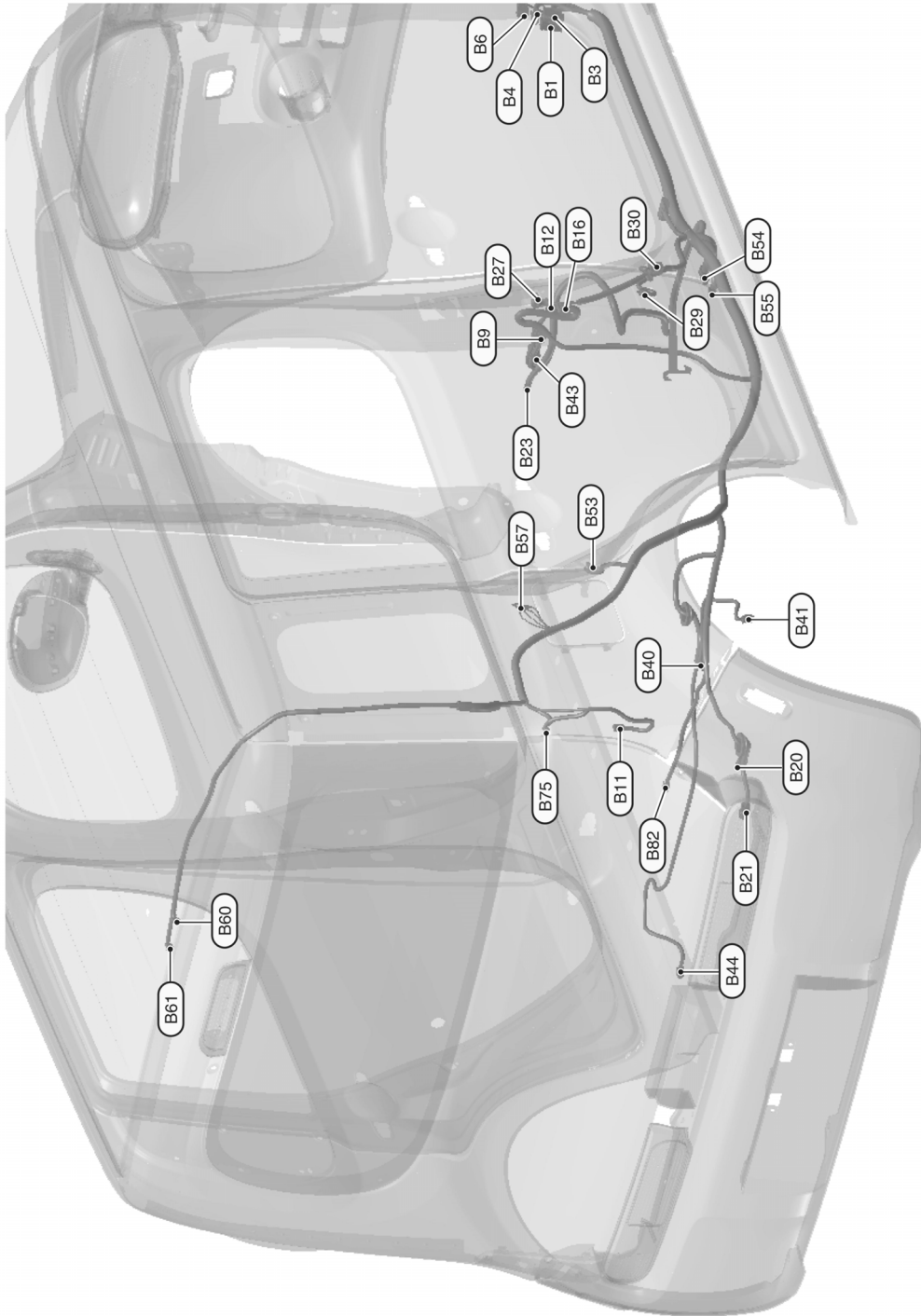
JRMIC2015GB

HARNES LAYOUT

< DTC/CIRCUIT DIAGNOSIS >

[POWER SUPPLY & GROUND CIRCUIT]

BODY HARNESS (RH SIDE)



BODY HARNESS (RH SIDE)

A
B
C
D
E
F
G
H
I
J
K
L
PG
N
O
P

2012/07/30

JRMIC2016GB

HARNESS LAYOUT

< DTC/CIRCUIT DIAGNOSIS >

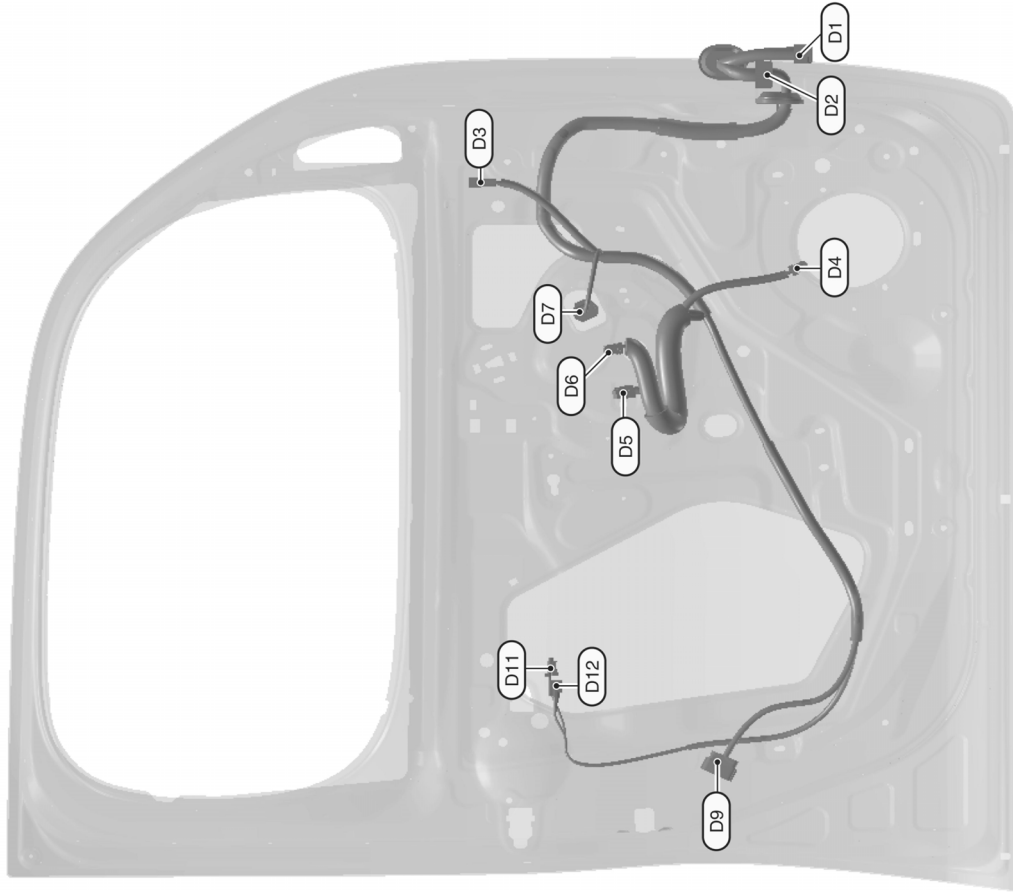
[POWER SUPPLY & GROUND CIRCUIT]

Door Harness

INFOID:000000008449539

FRONT DOOR HARNESS (LH SIDE)

FRONT DOOR HARNESS (LH SIDE)



2012/07/30

JRMIC2018GB

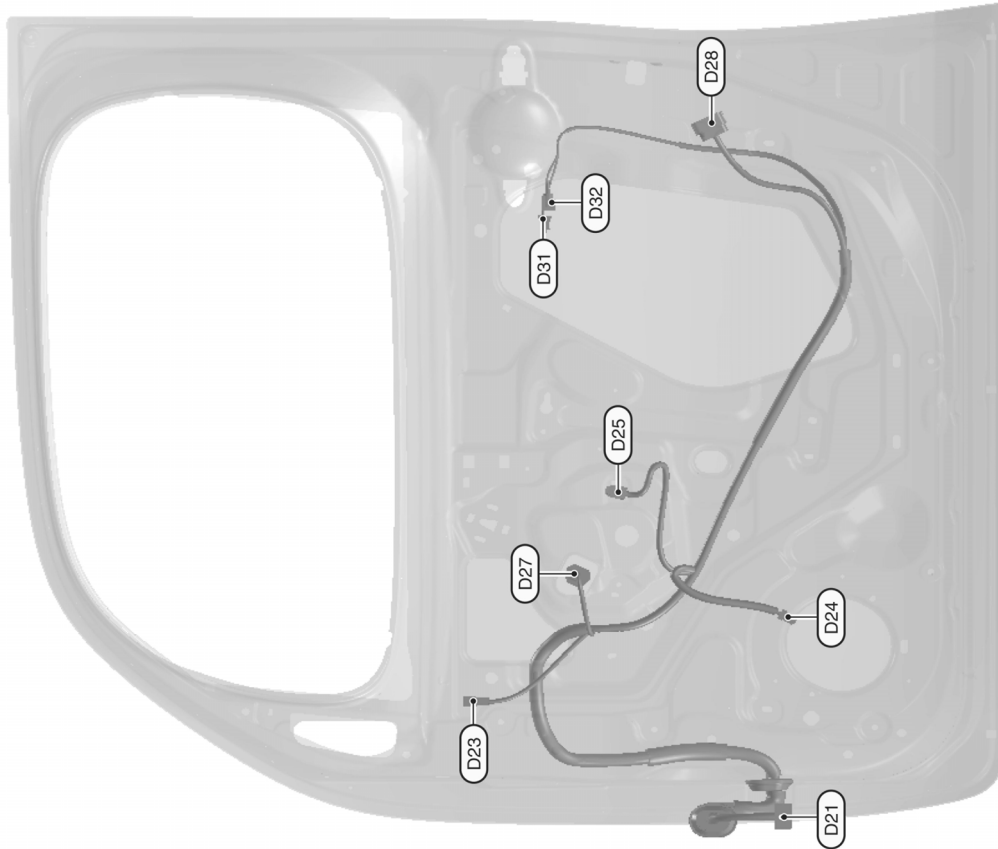
HARNES LAYOUT

< DTC/CIRCUIT DIAGNOSIS >

[POWER SUPPLY & GROUND CIRCUIT]

FRONT DOOR HARNESS (RH SIDE)

FRONT DOOR HARNESS (RH SIDE)



JRMIC2019GB
2012/07/30

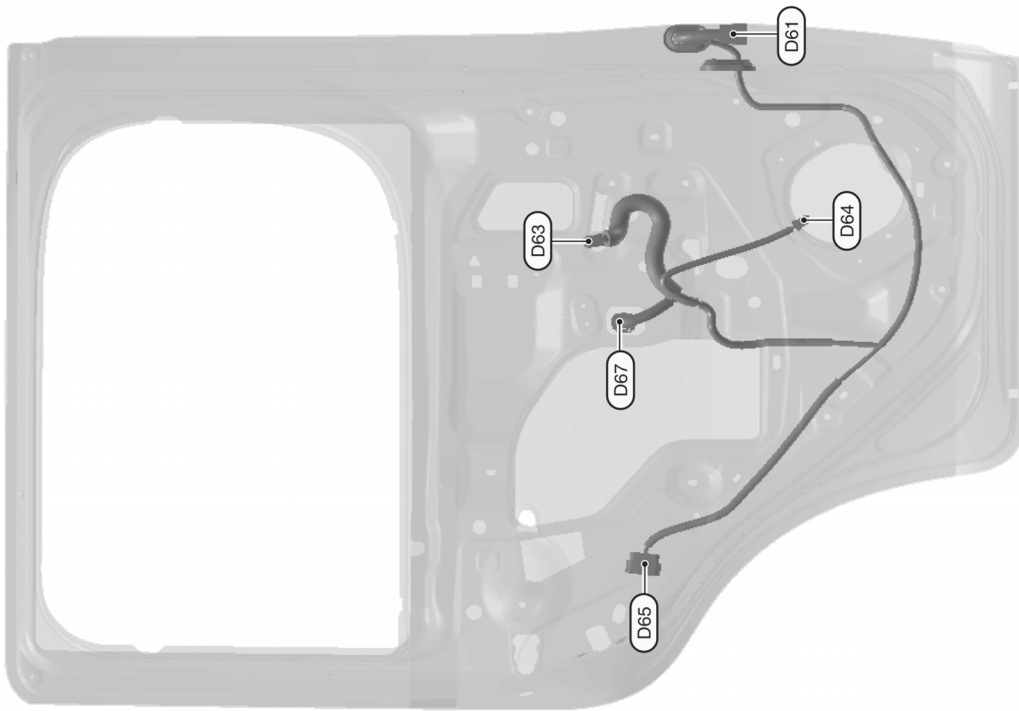
A
B
C
D
E
F
G
H
I
J
K
L
PG
N
O
P

HARNES LAYOUT

< DTC/CIRCUIT DIAGNOSIS >

[POWER SUPPLY & GROUND CIRCUIT]

REAR DOOR HARNESS (LH SIDE)



REAR DOOR HARNESS (LH SIDE)

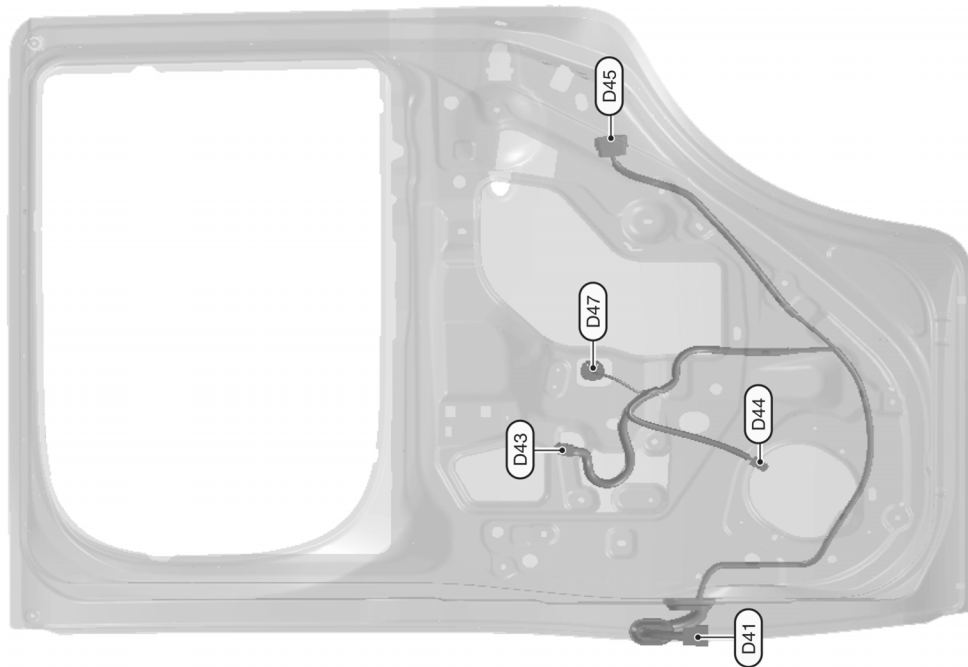
JRMIC2020GB
2012/07/30

HARNES LAYOUT

< DTC/CIRCUIT DIAGNOSIS >

[POWER SUPPLY & GROUND CIRCUIT]

REAR DOOR HARNESS (RH SIDE)



REAR DOOR HARNESS (RH SIDE)

A
B
C
D
E
F
G
H
I
J
K
L
PG
N
O
P

2012/07/30

JRMIC2021GB

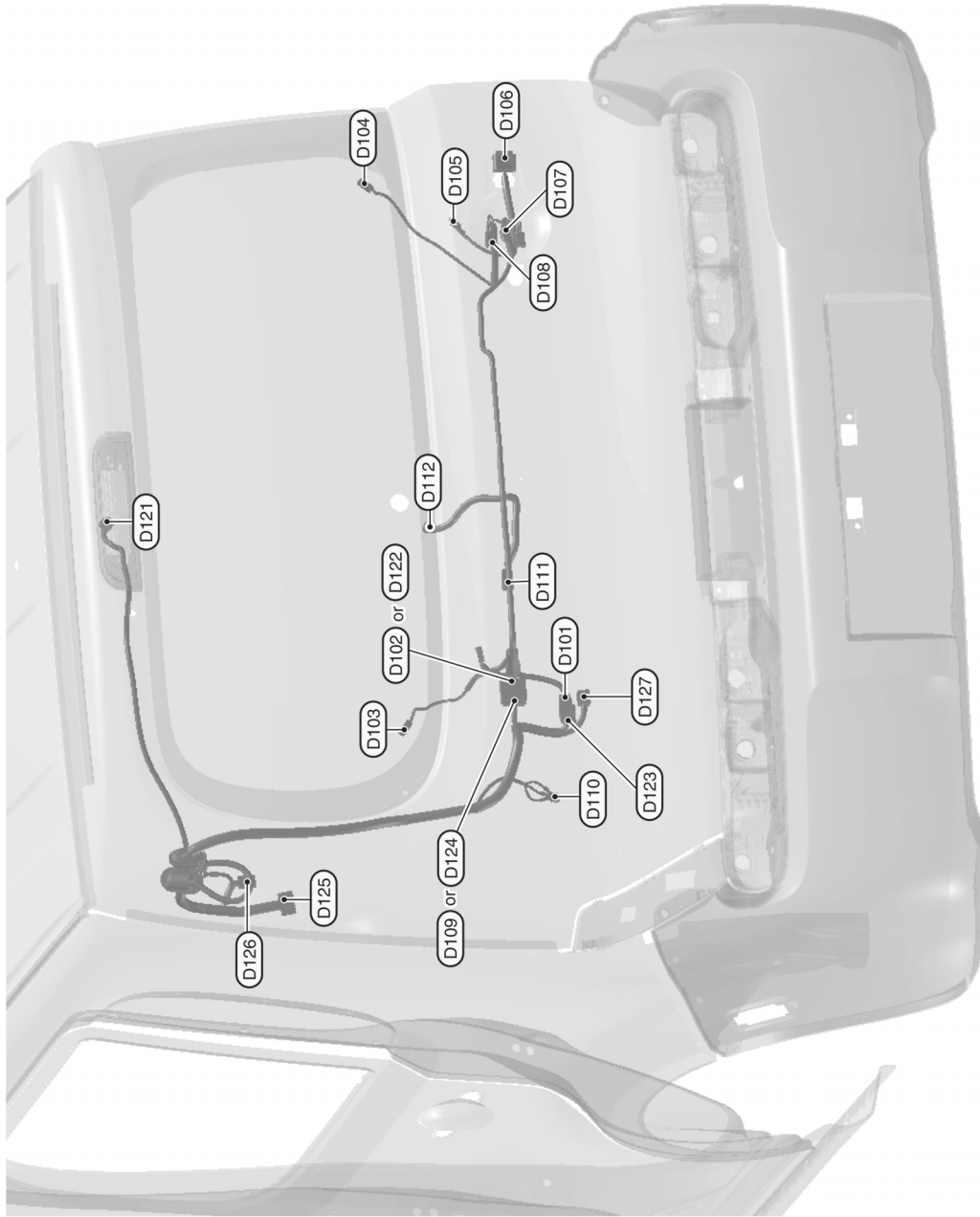
HARNES LAYOUT

< DTC/CIRCUIT DIAGNOSIS >

[POWER SUPPLY & GROUND CIRCUIT]

BACK DOOR HARNES

BACK DOOR HARNES



2012/07/30

JRMIC2022GB

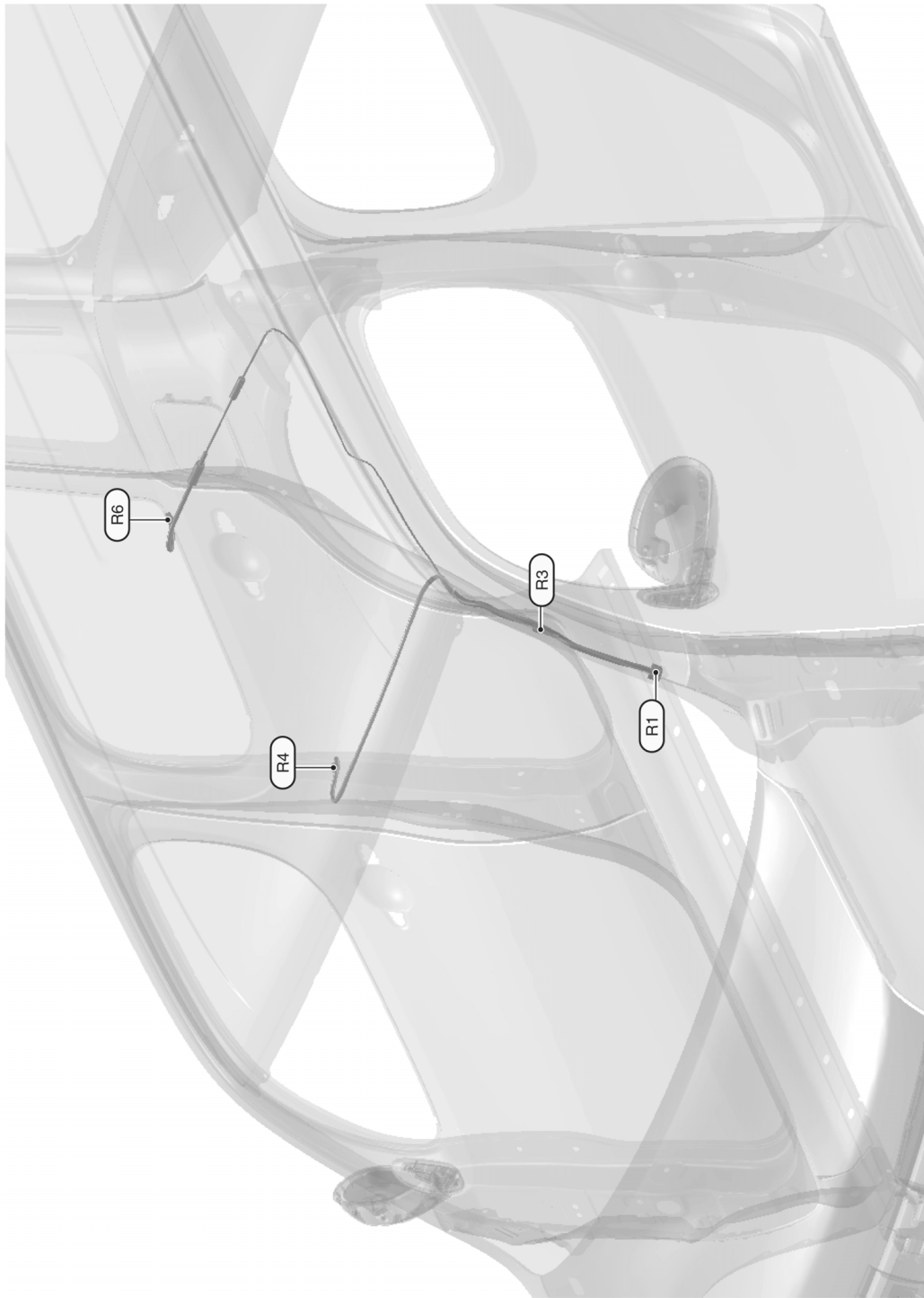
HARNES LAYOUT

< DTC/CIRCUIT DIAGNOSIS >

[POWER SUPPLY & GROUND CIRCUIT]

Room Lamp Harness

INFOID:000000008449540



ROOM LAMP HARNESS

- A
- B
- C
- D
- E
- F
- G
- H
- I
- J
- K
- L
- PG**
- N
- O
- P

2012/07/30

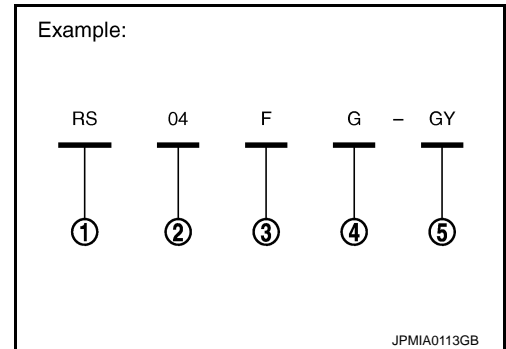
JRMIC2017GB

CONNECTOR INFORMATION

How to Read Connector Type

INFOID:000000008449541

- 1 : Connector model
- 2 : Cavity
- 3 : Male (M) and female (F) terminals
- 4 : Connector color
- 5 : Special type



CONNECTOR INFORMATION

[POWER SUPPLY & GROUND CIRCUIT]

< DTC/CIRCUIT DIAGNOSIS >

B Body Harness

INFOID:000000008449542

BODY HARNESS

Connector No.	B1
Connector Name	WIRE TO WIRE
Connector Type	NS16MW-CS

1	3	4	5	6	7			
8	9	10	11	12	13	14	15	16

Terminal No.	Color of Wire	Signal Name [Specification]
1	G	-
3	V	-
4	L	-
5	Y	-
6	W	-
7	LG	-
8	GR	-
9	SB	-
10	W	-
11	G	-
12	V	-
13	BR	-
15	R	-
16	GR	-

Connector No.	B2
Connector Name	WIRE TO WIRE
Connector Type	NS16MW-CS

1	2	3	4	5	6	7	
8	9	10	11	12	14	15	16

Terminal No.	Color of Wire	Signal Name [Specification]
1	V	-
2	W	-
3	O	-
5	O	-
6	R	-
7	L	-
8	L	-
9	G	-

10	V	-
11	P	-
12	LG	-
14	R	-
15	Y	-
16	B	-

Connector No.	B3
Connector Name	WIRE TO WIRE
Connector Type	TH2MW-NH

1	2	3	4	5	6	7	14	15	16		
17	18	19	20	21	22	23	24	29	30	31	32

Terminal No.	Color of Wire	Signal Name [Specification]
1	SB	-
2	L	-
3	R	-
4	SHIELD	-
5	LG	-
6	SB	-
7	P	-
14	G	-
15	SB	-
16	SB	-
17	LG	-
18	SHIELD	-
19	BR	-
20	Y	-
21	L	-
22	O	-
23	GR	-
24	L	-
30	R	-
31	LG	-
32	LG	-

Connector No.	B4
Connector Name	WIRE TO WIRE
Connector Type	TH24MW-NH

1	2	3	4	5	8	9	10	11	12
13	15	16	17	18	20	22	23	24	

Terminal No.	Color of Wire	Signal Name [Specification]
1	W	-
2	V	-
3	O	-
4	P	-
5	W	-
8	SB	-
9	GR	-
10	SB	-
11	G	-
12	SB	-
13	L	-
15	R	-
16	GR	-
17	BR	-
18	L	-
20	LG	-
22	Y	-
23	BR	-
24	O	-

Connector No.	B5
Connector Name	WIRE TO WIRE
Connector Type	TH16MW-NH

1	2	3	5	6	8
9	11	13	14	16	16

Terminal No.	Color of Wire	Signal Name [Specification]
1	V	-
2	GR	-
5	V	-

6	W	-
8	LG	-
9	R	-
11	O	-
13	GR	-
14	P	-
16	W	-

Connector No.	B6
Connector Name	WIRE TO WIRE
Connector Type	MS24MW-LC

2

Terminal No.	Color of Wire	Signal Name [Specification]
2	R	-

Connector No.	B7
Connector Name	WIRE TO WIRE
Connector Type	TH24MW-NH

4	5	6	7	11	12
16	18	19	24		

Terminal No.	Color of Wire	Signal Name [Specification]
4	R	-
5	Y	-
6	G	-
7	L	-
11	O	-
12	W	-
16	BR	-
18	Y	-
19	SHIELD	-
24	R	-

A
B
C
D
E
F
G
H
I
J
K
L
N
O
P

PG

CONNECTOR INFORMATION

[POWER SUPPLY & GROUND CIRCUIT]

< DTC/CIRCUIT DIAGNOSIS >

BODY HARNESS

Connector No.	B8
Connector Name	SIDE AIR BAG MODULE LH
Connector Type	TKG2FY-EX-1V



Terminal No.	Color of Wire	Signal Name [Specification]
1	Y	-
2	Y	-

Connector No.	B9
Connector Name	SIDE AIR BAG MODULE RH
Connector Type	TKG2FY-EX-1V



Terminal No.	Color of Wire	Signal Name [Specification]
1	Y	-
2	Y	-

Connector No.	B11
Connector Name	LUGGAGE ROOM LAMP
Connector Type	CJG4FW



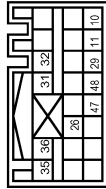
Terminal No.	Color of Wire	Signal Name [Specification]
1	Y	-
3	L	-

Connector No.	B12
Connector Name	OCCUPANT DETECTION SYSTEM CONTROL UNIT
Connector Type	TRG4FW-RH



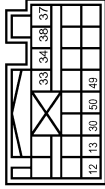
Terminal No.	Color of Wire	Signal Name [Specification]
1	GR	-
2	B	-
3	V	-
4	R	-

Connector No.	B13
Connector Name	AIR BAG DIAGNOSIS SENSOR UNIT
Connector Type	NIH2FY-IV-EX



Terminal No.	Color of Wire	Signal Name [Specification]
10	Y	PRH (+)
11	Y	PRH (-)
28	V	ODS INPUT
29	LG	RH BUCKLE SW INPUT
31	Y	SRH (+)
32	Y	SRH (-)
35	P	GRH (+)
36	L	GRH (-)
47	G	SATELLITE RH (+)
48	R	SATELLITE RH (-)

Connector No.	B14
Connector Name	AIR BAG DIAGNOSIS SENSOR UNIT
Connector Type	NIH2FY-2V-EX



Terminal No.	Color of Wire	Signal Name [Specification]
12	Y	PLH (+)
13	Y	PLH (-)
30	O	LH BUCKLE SW INPUT
33	Y	SLH (+)
34	Y	SLH (-)
37	G	GLH (+)
38	R	GLH (-)
49	P	SATELLITE LH (+)
50	L	SATELLITE LH (-)

Connector No.	B16
Connector Name	WIRE TO WIRE
Connector Type	NSI0FW-CS



Terminal No.	Color of Wire	Signal Name [Specification]
1	Y	-
4	L	-
5	G	-
7	GR	-
8	LG	-
9	W	-
10	Y	-

Connector No.	B17
Connector Name	WIRE TO WIRE
Connector Type	NSI0FW-CS



Terminal No.	Color of Wire	Signal Name [Specification]
1	V	-
4	L	-
5	G	-
7	L	-
8	V	-
9	R	-
10	O	-

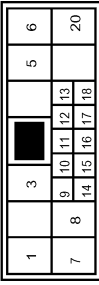

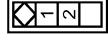







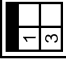
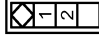









JRMWD3978GB

CONNECTOR INFORMATION

< DTC/CIRCUIT DIAGNOSIS >

[POWER SUPPLY & GROUND CIRCUIT]

BODY HARNESS

Connector No.	B18	Connector No.	B20	Connector No.	B23	Connector No.	B27	Connector No.	B29	Connector No.	B30
Connector Name	WIRE TO WIRE	EVAP CANISTER VENT CONTROL VALVE	SEAT BELT BUCKLE SWITCH (PASSENGER SIDE)	EVAP CONTROL SYSTEM PRESSURE SENSOR	FRONT DOOR SWITCH (PASSENGER SIDE)	SATELLITE SENSOR RH	FRONT DOOR SWITCH (PASSENGER SIDE)	SEAT BELT PRE-TENSIONER RH	FRONT DOOR SWITCH (DRIVER SIDE)	SATELLITE SENSOR RH	
Connector Type	MH1DMW-CS10	E02FB-RS	E03FGT-RS	E03FGT-RS	TH04FW-NH	HK02FY-V-EX	TH04FW-NH	ACB02FY	TH04FW-NH	HK02FY-V-EX	
											
Terminal No.	1	1	1	1	1	1	1	1	1	1	
Color of Wire	V	V	L	L	L	L	LG	SB	LG	Y	
Signal Name [Specification]											
Terminal No.	2	2	2	2	2	2	2	2	2	2	
Color of Wire	BR	L	L	L	L	L	B	B	B	G	
Signal Name [Specification]											
Terminal No.	3	3	3	3	3	3	3	3	3	3	
Color of Wire	R	W	W	W	W	W	B	SB	SB	G	
Signal Name [Specification]											
Terminal No.	4	4	4	4	4	4	4	4	4	4	
Color of Wire	P										
Signal Name [Specification]											
Terminal No.	5	5	5	5	5	5	5	5	5	5	
Color of Wire	R										
Signal Name [Specification]											
Terminal No.	6	6	6	6	6	6	6	6	6	6	
Color of Wire	P										
Signal Name [Specification]											
Terminal No.	7	7	7	7	7	7	7	7	7	7	
Color of Wire	B										
Signal Name [Specification]											
Terminal No.	8	8	8	8	8	8	8	8	8	8	
Color of Wire	G										
Signal Name [Specification]											
Terminal No.	9	9	9	9	9	9	9	9	9	9	
Color of Wire	B										
Signal Name [Specification]											
Terminal No.	10	10	10	10	10	10	10	10	10	10	
Color of Wire	Y										
Signal Name [Specification]											
Terminal No.	11	11	11	11	11	11	11	11	11	11	
Color of Wire	G										
Signal Name [Specification]											
Terminal No.	12	12	12	12	12	12	12	12	12	12	
Color of Wire	W										
Signal Name [Specification]											
Terminal No.	13	13	13	13	13	13	13	13	13	13	
Color of Wire	R										
Signal Name [Specification]											
Terminal No.	14	14	14	14	14	14	14	14	14	14	
Color of Wire	Y										
Signal Name [Specification]											
Terminal No.	15	15	15	15	15	15	15	15	15	15	
Color of Wire	O										
Signal Name [Specification]											
Terminal No.	16	16	16	16	16	16	16	16	16	16	
Color of Wire	L										
Signal Name [Specification]											
Terminal No.	17	17	17	17	17	17	17	17	17	17	
Color of Wire	R										
Signal Name [Specification]											
Terminal No.	18	18	18	18	18	18	18	18	18	18	
Color of Wire	BR										
Signal Name [Specification]											
Terminal No.	20	20	20	20	20	20	20	20	20	20	
Color of Wire	LG										
Signal Name [Specification]											
Connector No.	B19	Connector No.	B22	Connector No.	B27	Connector No.	B32	Connector No.	B33	Connector No.	B34
Connector Name	WIRE TO WIRE	SEAT BELT BUCKLE SWITCH (DRIVER SIDE)	FRONT DOOR SWITCH (PASSENGER SIDE)	EVAP CANISTER VENT CONTROL VALVE	FRONT DOOR SWITCH (DRIVER SIDE)	SATELLITE SENSOR RH	SEAT BELT PRE-TENSIONER RH	FRONT DOOR SWITCH (DRIVER SIDE)	SATELLITE SENSOR RH	SATELLITE SENSOR RH	FRONT DOOR SWITCH (DRIVER SIDE)
Connector Type	M04HW-LC	A03FW	A03FW	E02FB-RS	TH04FW-NH	HK02FY-V-EX	ACB02FY	TH04FW-NH	HK02FY-V-EX	HK02FY-V-EX	TH04FW-NH
											
Terminal No.	1	1	1	1	1	1	1	1	1	1	
Color of Wire	R	O	V	V	L	L	L	L	Y	Y	
Signal Name [Specification]											
Terminal No.	3	3	3	3	3	3	3	3	3	3	
Color of Wire	B	W	W	W	W	W	SB	SB	G	G	
Signal Name [Specification]											

JRMWD3979GB

A
B
C
D
E
F
G
H
I
J
K
L
PG
N
O
P

CONNECTOR INFORMATION

< DTC/CIRCUIT DIAGNOSIS >

[POWER SUPPLY & GROUND CIRCUIT]

BODY HARNESS

Connector No.	B36
Connector Name	SEAT BELT PRE-TENSIONER LH
Connector Type	ACB02FY



Terminal No.	Color of Wire	Signal Name [Specification]
1	Y	-
2	Y	-

Connector No.	B37
Connector Name	SATELLITE SENSOR LH
Connector Type	HK02FY-TV-EX



Terminal No.	Color of Wire	Signal Name [Specification]
1	P	-
2	L	-

Connector No.	B38
Connector Name	YAW RATE / SIDE / DECEL G SENSOR
Connector Type	AAZ04FB



Terminal No.	Color of Wire	Signal Name [Specification]
1	B	-
2	R	-

3	V	-
4	GR	-

Connector No.	B40
Connector Name	FUEL LEVEL SENSOR UNIT AND FUEL PUMP
Connector Type	ED0FGY-RS



Terminal No.	Color of Wire	Signal Name [Specification]
1	G	-
2	BR	-
3	B	-
4	P	-
5	L	-

Connector No.	B41
Connector Name	REAR WHEEL SENSOR RH
Connector Type	AAZ02FBI



Terminal No.	Color of Wire	Signal Name [Specification]
1	O	-
2	SB	-

Connector No.	B42
Connector Name	HEATED SEAT LH
Connector Type	NS03FY-CS



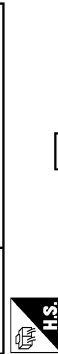
Terminal No.	Color of Wire	Signal Name [Specification]
2	W	-
3	O	-
4	B	-

Connector No.	B43
Connector Name	HEATED SEAT RH
Connector Type	NS03FY-CS



Terminal No.	Color of Wire	Signal Name [Specification]
2	SB	-
3	GR	-
4	B	-

Connector No.	B44
Connector Name	REAR WHEEL SENSOR LH
Connector Type	AAZ02FBI



Terminal No.	Color of Wire	Signal Name [Specification]
1	B	-

1	BR	-
2	G	-

Connector No.	B53
Connector Name	REAR DOOR SWITCH RH
Connector Type	TH04FW-NH



Terminal No.	Color of Wire	Signal Name [Specification]
3	LG	-

JRMWD3980GB

CONNECTOR INFORMATION

[POWER SUPPLY & GROUND CIRCUIT]

< DTC/CIRCUIT DIAGNOSIS >

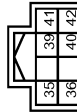
BODY HARNESS

Connector No.	B54
Connector Name	TEL ADAPTER UNIT
Connector Type	TH02FW-NH



Terminal No.	Color of Wire	Signal Name [Specification]
1	R	BATTERY
2	L	ACC
3	LG	IGNITION
4	B	GROUND
7	L	MICROPHONE SIGNAL
8	SHIELD	MICROPHONE SIGNAL GND
9	BR	SOUND SIGNAL (+)
10	Y	SOUND SIGNAL (-)
11	SB	TEL ON SIGNAL
12	W	STRG SW A
13	SB	STRG SW B
14	GR	STRG SW GND
17	GR	STRG SW A
18	P	STRG SW B
19	L	STRG SW GND
20	B	CONTROL SIGNAL
21	B	CONTROL SIGNAL
22	B	CONTROL SIGNAL
23	B	CONTROL SIGNAL
24	B	CONTROL SIGNAL
27	B	CONTROL SIGNAL
28	O	VEHICLE SPEED (2-PULSE)
29	R	MICROPHONE VCC

Connector No.	B55
Connector Name	TEL ADAPTER UNIT
Connector Type	TH06FW-NH



Terminal No.	Color of Wire	Signal Name [Specification]
35	SB	AV COMM (R)
36	LG	AV COMM (L)
39	Y/R	-
40	Y/R	-
41	SB	-
42	SB	-

Connector No.	B59
Connector Name	REAR COMBINATION LAMP RH
Connector Type	RS08FB-PR



Terminal No.	Color of Wire	Signal Name [Specification]
1	Y	-
3	B	-
4	W	-
5	R	-
6	V	-

Connector No.	B60
Connector Name	CURTAIN AIR BAG MODULE RH
Connector Type	ACB02FOR



Terminal No.	Color of Wire	Signal Name [Specification]
1	P	-
2	L	-

Connector No.	B61
Connector Name	CURTAIN AIR BAG MODULE LH
Connector Type	ACB02FOR



Terminal No.	Color of Wire	Signal Name [Specification]
1	G	-
2	R	-

Connector No.	B71
Connector Name	REAR DOOR SWITCH LH
Connector Type	TR04FW-NH



Terminal No.	Color of Wire	Signal Name [Specification]
3	W	-

Connector No.	B75
Connector Name	BACK DOOR SWITCH
Connector Type	TR04FW-NH



Terminal No.	Color of Wire	Signal Name [Specification]
2	L	-
3	W	-

Connector No.	B80
Connector Name	REAR COMBINATION LAMP LH
Connector Type	RS08FB-PR



Terminal No.	Color of Wire	Signal Name [Specification]
1	Y	-
3	B	-
4	P	-
5	R	-
6	GR	-

Connector No.	B82
Connector Name	INSIDE KEY ANTENNA (LUGGAGE ROOM)
Connector Type	PK02FL



Terminal No.	Color of Wire	Signal Name [Specification]
1	R	-
2	G	-

JRMWD3981GB

A
B
C
D
E
F
G
H
I
J
K
L
PG
N
O
P

CONNECTOR INFORMATION

< DTC/CIRCUIT DIAGNOSIS >

[POWER SUPPLY & GROUND CIRCUIT]

BODY HARNESS

Connector No.	B83
Connector Name	WIRE TO WIRE
Connector Type	R10DAFB



Terminal No.	Color of Wire	Signal Name [Specification]
2	B	-
4	GR	-

Connector No.	B251
Connector Name	TEL-ADAPTER UNIT
Connector Type	GT10C-IS+IU



Terminal No.	Color of Wire	Signal Name [Specification]
33	-	TEL ANTENNA SIGNAL
34	-	SHIELD

JRMWD3982GB

CONNECTOR INFORMATION

[POWER SUPPLY & GROUND CIRCUIT]

< DTC/CIRCUIT DIAGNOSIS >

D Door Harness

INFOID:000000008449543

DOOR HARNESS

Connector No.	D1
Connector Name	WIRE TO WIRE
Connector Type	NH10FW-CS10



6	5	3	2	1
20	19	13	12	10
		18	17	15
				14
				8
				7

Terminal No.	Color of Wire	Signal Name [Specification]
1	P	-
2	SB	-
3	Y	-
5	LG	-
6	R	-
7	L	-
8	W	-
9	BR	-
10	P	-
12	GR	-
13	W	-
14	G	-
15	V	-
17	R	-
18	O	-
19	B	-
20	B	-

Connector No.	D2
Connector Name	WIRE TO WIRE
Connector Type	NS10FW-CS



4	3	2	1
10	9	8	6
			5

Terminal No.	Color of Wire	Signal Name [Specification]
1	W	-
2	V	-
3	R	-
4	G	-
5	P	-

6	SB	-
8	GR	-
9	BR	-
10	B	-



Connector No.	D3
Connector Name	DOOR MIRROR (DRIVER SIDE)
Connector Type	TH8BMW-NH



3	2	1
8	7	

Terminal No.	Color of Wire	Signal Name [Specification]
1	R	-
2	B	-
3	G	-
7	GR	-
8	BR	-

Connector No.	D4
Connector Name	FRONT DOOR SPEAKER LH
Connector Type	NS22FW-CS



2	1
---	---

Terminal No.	Color of Wire	Signal Name [Specification]
1	W	-
2	P	-

Connector No.	D5
Connector Name	POWER WINDOW MAIN SWITCH
Connector Type	NS18FW-CS



1	2	3	5	6	7
8	9	10	11	12	13
					15
					16

Terminal No.	Color of Wire	Signal Name [Specification]
1	R	-
2	LG	-
3	O	-
5	Y	-
6	V	-
7	LG	-
8	BR	-
9	V	-
10	L	-
11	GR	-
12	SB	-
13	W	-
15	G	-
16	W	-

Connector No.	D6
Connector Name	POWER WINDOW MAIN SWITCH
Connector Type	NS20FW-CS



17	18	19
----	----	----

Terminal No.	Color of Wire	Signal Name [Specification]
17	B	-
18	GR	-
19	P	-

Connector No.	D7
Connector Name	FRONT POWER WINDOW MOTOR (DRIVER SIDE)
Connector Type	RS38FG



1	2	3
4	5	6

Terminal No.	Color of Wire	Signal Name [Specification]
1	BR	-
2	G	-
3	GR	-
4	LG	-
5	W	-
6	V	-

Connector No.	D9
Connector Name	FRONT DOOR LOCK ASSEMBLY (DRIVER SIDE)
Connector Type	EB8FG-RS



1	2	3	4	5	6
---	---	---	---	---	---

Terminal No.	Color of Wire	Signal Name [Specification]
1	V	-
2	SB	-
3	G	-
4	B	-
5	L	-
6	W	-

A
B
C
D
E
F
G
H
I
J
K
L
N
O
P

CONNECTOR INFORMATION

< DTC/CIRCUIT DIAGNOSIS >

[POWER SUPPLY & GROUND CIRCUIT]

DOOR HARNESS

Connector No.	D11
Connector Name	FRONT DOOR REQUEST SWITCH (DRIVER SIDE)
Connector Type	RK02FGY



Terminal No.	Color of Wire	Signal Name [Specification]
1	B	-
2	BR	-



Connector No.	D12
Connector Name	OUTSIDE KEY ANTENNA (DRIVER SIDE)
Connector Type	RK02MGY

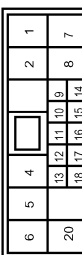
4	B	-
5	L	-
6	SB	-
7	R	-
8	V	-
9	R	-
10	W	-
11	L	-
12	LG	-
13	P	-
14	B	-
15	G	-
16	GR	-
17	BR	-
18	V	-
20	W	-

Connector No.	D23
Connector Name	DOOR MIRROR (PASSENGER SIDE)
Connector Type	TR08MW-NH



Terminal No.	Color of Wire	Signal Name [Specification]
1	P	-
2	V	-

Connector No.	D21
Connector Name	WIRE TO WIRE
Connector Type	NH10FW-CS10



Terminal No.	Color of Wire	Signal Name [Specification]
1	G	-
2	Y	-

Terminal No.	Color of Wire	Signal Name [Specification]
1	G	-
2	R	-

Connector No.	D25
Connector Name	FRONT POWER WINDOW SWITCH (PASSENGER SIDE)
Connector Type	NS12FW-CS



Terminal No.	Color of Wire	Signal Name [Specification]
1	GR	-
2	BR	-
3	B	-
6	Y	-
7	R	-
8	L	-
11	SB	-
12	W	-

Connector No.	D27
Connector Name	FRONT POWER WINDOW MOTOR (PASSENGER SIDE)
Connector Type	FR08MFG



Terminal No.	Color of Wire	Signal Name [Specification]
1	Y	-
2	R	-

Connector No.	D28
Connector Name	FRONT DOOR LOCK ASSEMBLY (PASSENGER SIDE)
Connector Type	EC08FGY-RS



Terminal No.	Color of Wire	Signal Name [Specification]
5	V	-
6	Y	-

Connector No.	D31
Connector Name	FRONT DOOR REQUEST SWITCH (PASSENGER SIDE)
Connector Type	RK02FGY



Terminal No.	Color of Wire	Signal Name [Specification]
1	B	-
2	LG	-

Connector No.	D32
Connector Name	OUTSIDE KEY ANTENNA (PASSENGER SIDE)
Connector Type	RK02MGY



Terminal No.	Color of Wire	Signal Name [Specification]
1	P	-
2	V	-

JRMWD3984GB

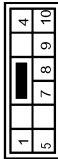
CONNECTOR INFORMATION

< DTC/CIRCUIT DIAGNOSIS >

[POWER SUPPLY & GROUND CIRCUIT]

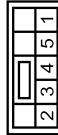
DOOR HARNESS

Connector No.	D41
Connector Name	WIRE TO WIRE
Connector Type	NS1DMW-CS



Terminal No.	Color of Wire	Signal Name [Specification]
1	W	-
4	L	-
5	P	-
7	GR	-
8	LG	-
9	BR	-
10	O	-

Connector No.	D43
Connector Name	REAR POWER WINDOW SWITCH RH
Connector Type	NS08FW-CS



Terminal No.	Color of Wire	Signal Name [Specification]
1	L	-
2	BR	-
3	O	-
4	G	-
5	R	-

Connector No.	D44
Connector Name	REAR DOOR SPEAKER RH
Connector Type	NS22FW-CS



Terminal No.	Color of Wire	Signal Name [Specification]
1	LG	-
2	GR	-

Connector No.	D45
Connector Name	REAR DOOR LOCK ASSEMBLY RH
Connector Type	ES08FG-RS



Terminal No.	Color of Wire	Signal Name [Specification]
5	W	-
6	P	-

Connector No.	D47
Connector Name	REAR POWER WINDOW MOTOR RH
Connector Type	HS08FG



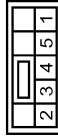
Terminal No.	Color of Wire	Signal Name [Specification]
1	R	-
2	G	-

Connector No.	D61
Connector Name	WIRE TO WIRE
Connector Type	NS1DMW-CS



Terminal No.	Color of Wire	Signal Name [Specification]
1	V	-
4	L	-
5	G	-
7	GR	-
8	LG	-
9	BR	-
10	O	-

Connector No.	D63
Connector Name	REAR POWER WINDOW SWITCH LH
Connector Type	NS08FW-CS



Terminal No.	Color of Wire	Signal Name [Specification]
1	L	-
2	BR	-
3	O	-
4	G	-
5	R	-

Connector No.	D64
Connector Name	REAR DOOR SPEAKER LH
Connector Type	NS22FW-CS



Terminal No.	Color of Wire	Signal Name [Specification]
1	LG	-
2	GR	-

Connector No.	D65
Connector Name	REAR DOOR LOCK ASSEMBLY LH
Connector Type	ES08FG-RS



Terminal No.	Color of Wire	Signal Name [Specification]
1	V	-
2	G	-

Connector No.	D67
Connector Name	REAR POWER WINDOW MOTOR LH
Connector Type	HS08FG



Terminal No.	Color of Wire	Signal Name [Specification]
1	R	-
2	G	-

JRMWD3985GB

A
B
C
D
E
F
G
H
I
J
K
L
N
O
P

PG

CONNECTOR INFORMATION

< DTC/CIRCUIT DIAGNOSIS >

[POWER SUPPLY & GROUND CIRCUIT]

DOOR HARNESS

Connector No.	D101	Connector No.	D107	Connector No.	D103	Connector No.	D108	Terminal No.	Color of Wire	Signal Name [Specification]	Terminal No.	Color of Wire	Signal Name [Specification]	Terminal No.	Color of Wire	Signal Name [Specification]	Terminal No.	Color of Wire	Signal Name [Specification]
Connector Name	WIRE TO WIRE	Connector Name	BACK DOOR REQUEST SWITCH	Connector Name	REAR WINDOW DEFOGGER	Connector Name	REAR WINDOW DEFOGGER	1	R	-	1	W	-	2	B	-	1	G	-
Connector Type	MO2MW-LC	Connector Type	FR02FY	Connector Type	F01FB-A	Connector Type	F01FB-A	2	B	-	2	B	-	1	R	-	1	Y	-
Terminal No.	1	Terminal No.	1	Terminal No.	1	Terminal No.	1	1	W	-	1	W	-	1	R	-	1	G	-
Color of Wire	R	Color of Wire	W	Color of Wire	R	Color of Wire	R	2	B	-	2	B	-	2	B	-	2	Y	-
Signal Name [Specification]	-	Signal Name [Specification]	-	Signal Name [Specification]	-	Signal Name [Specification]	-	Signal Name [Specification]	-	Signal Name [Specification]	Signal Name [Specification]	Signal Name [Specification]	Signal Name [Specification]	Signal Name [Specification]	Signal Name [Specification]	Signal Name [Specification]	Signal Name [Specification]	Signal Name [Specification]	Signal Name [Specification]
Connector No.	D102	Connector No.	D109	Connector No.	D106	Connector No.	D104	Connector No.	D108	Connector No.	D111	Connector No.	D112	Terminal No.	Color of Wire	Signal Name [Specification]	Terminal No.	Color of Wire	Signal Name [Specification]
Connector Name	WIRE TO WIRE	Connector Name	WIRE TO WIRE	Connector Name	BACK DOOR LOCK ASSEMBLY	Connector Name	REAR WINDOW DEFOGGER	Connector Name	OUTSIDE KEY ANTENNA (BACK DOOR)	Connector Name	REAR VIEW CAMERA	Connector Name	REAR WIPER MOTOR	1	G	CAMERA POWER SUPPLY	1	P	-
Connector Type	NH10MW-CS10	Connector Type	NH10FB-FHA2-LC	Connector Type	FEA0FB-FHA2-LC	Connector Type	F01FB-A	Connector Type	FR02MGY	Connector Type	TK04MW	Connector Type	CJ04FW-1V	2	L	CAMERA GND	2	BR	-
														3	Y	CAMERA IMAGE SIGNAL	3	BR	-
Terminal No.	4	Terminal No.	1	Terminal No.	2	Terminal No.	1	Terminal No.	1	Terminal No.	1	Terminal No.	1	3	BR	-	3	BR	-
Color of Wire	P	Color of Wire	GR	Color of Wire	B	Color of Wire	R	Color of Wire	W	Color of Wire	W	Color of Wire	BR	4	LG	-	4	LG	-
Signal Name [Specification]	-	Signal Name [Specification]	-	Signal Name [Specification]	-	Signal Name [Specification]	-	Signal Name [Specification]	-	Signal Name [Specification]	Signal Name [Specification]	Signal Name [Specification]	Signal Name [Specification]	Signal Name [Specification]	Signal Name [Specification]	Signal Name [Specification]	Signal Name [Specification]	Signal Name [Specification]	Signal Name [Specification]

JRMWD3986GB

CONNECTOR INFORMATION

< DTC/CIRCUIT DIAGNOSIS >

[POWER SUPPLY & GROUND CIRCUIT]

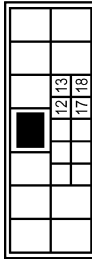
DOOR HARNESS

Connector No.	D121
Connector Name	HIGH-MOUNTED STOP LAMP
Connector Type	MS2FG-W



Terminal No.	Color of Wire	Signal Name [Specification]
1	GR	-
2	B	-

Connector No.	D122
Connector Name	WIRE TO WIRE
Connector Type	NH1DMW-CS10



Terminal No.	Color of Wire	Signal Name [Specification]
12	L	-
13	SHIELD	-
17	G	-
18	Y	-

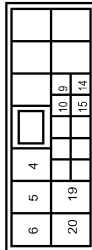
Connector No.	D123
Connector Name	WIRE TO WIRE
Connector Type	M02FW-LC



Terminal No.	Color of Wire	Signal Name [Specification]
1	-	-

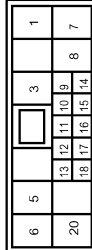
1	R	-
---	---	---

Connector No.	D124
Connector Name	WIRE TO WIRE
Connector Type	NH10FW-CS10



Terminal No.	Color of Wire	Signal Name [Specification]
4	G	-
5	B	-
6	Y	-
9	W	-
10	BR	-
14	L	-
15	R	-
19	LG	-
20	GR	-

Connector No.	D125
Connector Name	WIRE TO WIRE
Connector Type	NH10FW-CS10



Terminal No.	Color of Wire	Signal Name [Specification]
1	Y	-
3	SB	-
5	GR	-
6	G	-
7	GR	-
8	SHIELD	-
9	L	-
10	Y	-
11	G	-
12	BR	-

13	R	-
14	Y	-
15	W	-
16	L	-
17	R	-
18	BR	-
20	LG	-

Connector No.	D126
Connector Name	WIRE TO WIRE
Connector Type	M04FW-LC



Terminal No.	Color of Wire	Signal Name [Specification]
1	R	-
3	B	-

Connector No.	D127
Connector Name	WOOFER
Connector Type	NS02FW-CS



Terminal No.	Color of Wire	Signal Name [Specification]
1	SB	BATTERY
2	BR	SOUND SIGNAL WOOFER (-)
3	B	GROUND
4	Y	WOOFER AMP. ON SIGNAL
6	R	SOUND SIGNAL WOOFER (-)

JRMWD3987GB

A
B
C
D
E
F
G
H
I
J
K
L
PG
N
O
P

CONNECTOR INFORMATION

[POWER SUPPLY & GROUND CIRCUIT]

< DTC/CIRCUIT DIAGNOSIS >

E Engine Room Harness

INFOID:000000008449544

ENGINE ROOM HARNESS

Connector No.	E1
Connector Name	BATTERY TERMINAL WITH FUSELE LINK
Connector Type	LODFCY-MC



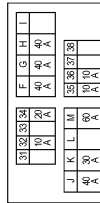
Terminal No.	Color of Wire	Signal Name [Specification]
3	G	-
4	W	-

Connector No.	E2
Connector Name	BATTERY TERMINAL WITH FUSELE LINK
Connector Type	LODFER-MC



Terminal No.	Color of Wire	Signal Name [Specification]
1	W	-
2	R	-

Connector No.	E4
Connector Name	FUSE AND FUSELE LINK BLOCK
Connector Type	24381-CB800



Terminal No.	Color of Wire	Signal Name [Specification]
32	LG	-
34	R	-

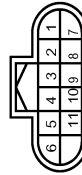
35	G	-
36	SB	-
F	Y	-
G	LG	-
H	P	-
J	V	-
K	L	-
M	R	-

Connector No.	E5
Connector Name	HORN RELAY
Connector Type	Relay 24381-CB800



Terminal No.	Color of Wire	Signal Name [Specification]
1	R	-
2	G	-
3	G	-

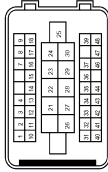
Connector No.	E6
Connector Name	WIRE TO WIFE
Connector Type	RH12FB



Terminal No.	Color of Wire	Signal Name [Specification]
1	L	-
2	BR	-
3	P	-
4	V	-
5	LG	-
6	R	-
7	SB	-
8	GR	-
9	LG	-

10	R	-
11	W	-

Connector No.	E8
Connector Name	WIRE TO WIRE
Connector Type	SAA38MB-RS1D-SJZZ



Terminal No.	Color of Wire	Signal Name [Specification]
1	BR	-
2	LG	-
3	Y	-
4	W	-
7	Y	-
8	SB	-
9	L	-
10	V	-
11	P	-
12	BR	-
13	LG	-
14	Y	-
15	SB	-
16	L	-
17	W	-
18	O	-
21	G	-
22	Y	-
23	SB	-
24	W	-
25	BR	-
26	B	- [For California]
28	B/Y	- [Except for California]
27	GR	-
28	P	-
29	V	-
30	G	-
31	G	-
32	O	-
33	W	-
34	Y	-
35	V	-
36	P	-
37	LG	-

39	SB	-
40	GR	-
41	O	-
42	V	-
43	LG	- [With M/T]
44	R	- [With CVT]
46	W	-
47	G	-
48	BR	-

Connector No.	E9
Connector Name	POWER FOR INTELLIGENT POWER DISTRIBUTION MODULE (IPDM) FUSIBLE
Connector Type	LODFE-MC



Terminal No.	Color of Wire	Signal Name [Specification]
1	R	-
2	G	-

Connector No.	E10
Connector Name	POWER FOR INTELLIGENT POWER DISTRIBUTION MODULE (IPDM) FUSIBLE
Connector Type	MOBFW-LC



Terminal No.	Color of Wire	Signal Name [Specification]
3	BR	-
4	P	-
5	LG	-
6	SB	-
7	Y	-
8	V	-

CONNECTOR INFORMATION

< DTC/CIRCUIT DIAGNOSIS >

[POWER SUPPLY & GROUND CIRCUIT]

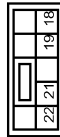
ENGINE ROOM HARNESS

Connector No.	E11
Connector Name	FROM E/R INTELLIGENT POWER DISTRIBUTION MODULE (ENGINE ROOM)
Connector Type	MS08FB-LC



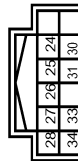
Terminal No.	Color of Wire	Signal Name [Specification]
9	B/W	-
10	L	-
13	W	-

Connector No.	E12
Connector Name	FROM E/R INTELLIGENT POWER DISTRIBUTION MODULE (ENGINE ROOM)
Connector Type	NS08FBR-CS



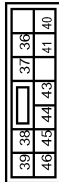
Terminal No.	Color of Wire	Signal Name [Specification]
18	Y	-
19	B/W	-
21	W	-
22	V	-

Connector No.	E13
Connector Name	FROM E/R INTELLIGENT POWER DISTRIBUTION MODULE (ENGINE ROOM)
Connector Type	TH12FW-NH



Terminal No.	Color of Wire	Signal Name [Specification]
24	G	-
25	Y	-
26	P	-
27	L	-
28	P	-
30	SB	-
31	W	-
33	O	-
34	R	-

Connector No.	E14
Connector Name	FROM E/R INTELLIGENT POWER DISTRIBUTION MODULE (ENGINE ROOM)
Connector Type	NS12FBR-CS



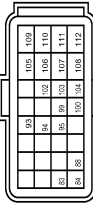
Terminal No.	Color of Wire	Signal Name [Specification]
36	O	-
37	V	-
38	G	-
39	V	-
40	R	-
41	SB	-
43	G	-
44	P	-
45	Y	-
46	O	-

Connector No.	E15
Connector Name	FROM E/R INTELLIGENT POWER DISTRIBUTION MODULE (ENGINE ROOM)
Connector Type	NS18FW-CS



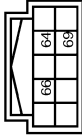
Terminal No.	Color of Wire	Signal Name [Specification]
47	BR	-
49	W	-
50	GR	-
51	R	-
52	P	-
54	GR	-
55	P	-
56	SB	-
57	G	-
58	LG	- [With M/7]
59	R	- [With CVT]
60	V	-
61	W	-
62	L	-

Connector No.	E16
Connector Name	ECM
Connector Type	FR24FB-R28-L-RH



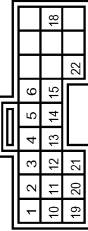
Terminal No.	Color of Wire	Signal Name [Specification]
83	P	CAN COMMUNICATION LINE
84	L	CAN COMMUNICATION LINE
88	LG	DATA LINK CONNECTOR
93	L	IGNITION SWITCH
94	SB	ASCD STEERING SWITCH
95	BR	SENSOR GROUND
99	W	STOP LAMP SWITCH
100	SB	ASCD BRAKE SWITCH
102	O	SENSOR POWER SUPPLY
103	G	ACCELERATOR PEDAL POSITION SENSOR 2
104	R	SENSOR GROUND
105	G	POWER SUPPLY FOR ECM
106	V	SENSOR POWER SUPPLY
107	B	ECM GROUND
108	B	ECM GROUND
109	B	ECM GROUND
110	BR	ACCELERATOR PEDAL POSITION SENSOR 1
111	Y	SENSOR GROUND
112	B	ECM GROUND

Connector No.	E17
Connector Name	FROM E/R INTELLIGENT POWER DISTRIBUTION MODULE (ENGINE ROOM)
Connector Type	TH10FB-NH



Terminal No.	Color of Wire	Signal Name [Specification]
64	R	-
66	L	-
69	O	-

Connector No.	E18
Connector Name	TOM (TRANSMISSION CONTROL MODULE)
Connector Type	TK24FW



Terminal No.	Color of Wire	Signal Name [Specification]
1	Y	LINE PRESSURE SOLENOID VALVE
2	LG	SECONDARY PRESSURE SOLENOID VALVE
3	BR	TORQUE CONVERTER CLUTCH SOLENOID VALVE
4	O	LOCK-UP SELECT SOLENOID VALVE
5	L	CAN-H
6	P	CAN-L
10	R	POWER SUPPLY
11	W	STEP MOTOR A
12	L	STEP MOTOR B
13	SB	ROM ASSY (SEL 2)
14	P	ROM ASSY (SEL 1)
15	V	ROM ASSY (SEL 3)
18	BR	P RANGE SW
19	R	POWER SUPPLY
20	SB	STEP MOTOR C
21	Y	STEP MOTOR D
22	GR	P RANGE SW

A B C D E F G H I J K L N O P PG

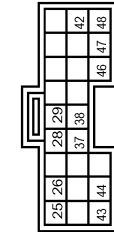
CONNECTOR INFORMATION

< DTC/CIRCUIT DIAGNOSIS >

[POWER SUPPLY & GROUND CIRCUIT]

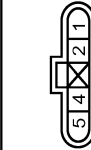
ENGINE ROOM HARNESS

Connector No.	E19
Connector Name	TCM (TRANSMISSION CONTROL MODULE)
Connector Type	TKZ4FGY



Terminal No.	Color of Wire	Signal Name [Specification]
25	B	GROUND
26	LG	N RANGE SW
28	Y	POWER SUPPLY (MEMORY BACKUP)
29	W	SECONDARY SPEED SENSOR
37	P	SECONDARY PRESSURE SENSOR
38	V	PRIMARY SPEED SENSOR
42	R	SENSOR GROUND
43	SB	D RANGE SW
44	L	L RANGE SW
46	BR	SENSOR POWER
47	LG	CVT FLUID TEMPERATURE SENSOR
48	B	GROUND

Connector No.	E20
Connector Name	FRONT WIPER MOTOR
Connector Type	FKX3FGY-B



Terminal No.	Color of Wire	Signal Name [Specification]
1	V	-
2	O	-
4	Y	-
5	B/R	-

Connector No.	E22
Connector Name	FRONT WHEEL SENSOR LH
Connector Type	AZJ2ZFB1



Terminal No.	Color of Wire	Signal Name [Specification]
1	BR	-
2	Y	-

Connector No.	E23
Connector Name	SIDE TURN SIGNAL LAMP LH
Connector Type	STL2ZFW



Terminal No.	Color of Wire	Signal Name [Specification]
1	L	-
2	B/R	-

Connector No.	E24
Connector Name	PARKING LAMP LH
Connector Type	HK2ZFB



Terminal No.	Color of Wire	Signal Name [Specification]
1	Y	-
2	B/R	-

Connector No.	E25
Connector Name	INTELLIGENT KEY WARNING BUZZER
Connector Type	FK3ZFB



Terminal No.	Color of Wire	Signal Name [Specification]
1	V	-
3	P	-

Connector No.	E26
Connector Name	HEADLAMP LH
Connector Type	ND3ZFB



Terminal No.	Color of Wire	Signal Name [Specification]
1	GR	-
2	B/R	-
3	R	-

Connector No.	E27
Connector Name	FRONT TURN SIGNAL LAMP LH
Connector Type	RS3ZFB



Terminal No.	Color of Wire	Signal Name [Specification]
1	L	-

2	B/W	-
---	-----	---



Terminal No.	Color of Wire	Signal Name [Specification]
1	V	-
2	B/W	-

Connector No.	E33
Connector Name	CRASH ZONE SENSOR
Connector Type	HK0ZFY-IV-EX



Terminal No.	Color of Wire	Signal Name [Specification]
1	P	-
2	L	-

JRMWD3990GB

CONNECTOR INFORMATION

< DTC/CIRCUIT DIAGNOSIS >

[POWER SUPPLY & GROUND CIRCUIT]

ENGINE ROOM HARNESS

Connector No.	E36
Connector Name	ABS ACTUATOR AND ELECTRICAL UNIT (CONTROL UNIT)
Connector Type	BAAZ2FB-ANZ4-RH



Terminal No.	Color of Wire	Signal Name [Specification]
1	B	GND (MTR)
2	Y	BAT (MTR)
3	L	BAT (SOL)
4	B	GND (SOL)
5	Y	DS FL
6	W	DP RL
7	O	DP RR
8	L	DP FR
9	R	DS FR
10	R	DS RR
11	LG	K LINE
14	GR	CAN-L
15	P	CAN-R
16	BR	DP FL
17	G	DS FL
18	V	IGN
19	SB	DS RR
20	W	STOP LAMP SW
21	P	VDC OFF SW
25	R	CAN-H
26	L	CAN-H

Connector No.	E37
Connector Name	BRAKE FLUID LEVEL SWITCH
Connector Type	YV02FGY



Terminal No.	Color of Wire	Signal Name [Specification]
1	BR	-
2	B/Y	-

Connector No.	E39
Connector Name	FRONT WHEEL SENSOR RH
Connector Type	AZ02FBI



Terminal No.	Color of Wire	Signal Name [Specification]
1	L	-
2	R	-

Connector No.	E40
Connector Name	SIDE TURN SIGNAL LAMP RH
Connector Type	STL02FW



Terminal No.	Color of Wire	Signal Name [Specification]
1	W	-
2	B/Y	-

Connector No.	E41
Connector Name	WASHER PUMP
Connector Type	ED2FGY-RS



Terminal No.	Color of Wire	Signal Name [Specification]
1	R	-
2	Y	-

Connector No.	E43
Connector Name	PARKING LAMP RH
Connector Type	RK02FEB



Terminal No.	Color of Wire	Signal Name [Specification]
1	V	-
2	B/Y	-

Connector No.	E45
Connector Name	HEADLAMP RH
Connector Type	NC02FEB



Terminal No.	Color of Wire	Signal Name [Specification]
1	W	-
2	B/Y	- [Without daytime running light system]
2	R	- [With daytime running light system]
3	P	- [Without daytime running light system]
3	SB	- [With daytime running light system]

Connector No.	E46
Connector Name	FRONT TURN SIGNAL LAMP RH
Connector Type	FRS02FEB



Terminal No.	Color of Wire	Signal Name [Specification]
1	W	-
2	B/Y	-

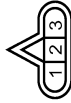


Connector No.	E48
Connector Name	FRONT FOG LAMP RH
Connector Type	FCJ 240P023S4019



Terminal No.	Color of Wire	Signal Name [Specification]
1	W	-
2	B/Y	-

Connector No.	E49
Connector Name	REFRIGERANT PRESSURE SENSOR
Connector Type	RK03FEB



Terminal No.	Color of Wire	Signal Name [Specification]
1	O	-
2	G	-
3	W	-

JRMWD3991GB

A
B
C
D
E
F
G
H
I
J
K
L
M
N
O
P

PG

CONNECTOR INFORMATION

< DTC/CIRCUIT DIAGNOSIS >

[POWER SUPPLY & GROUND CIRCUIT]



ENGINE ROOM HARNESS

Connector No.	E50
Connector Name	HORN
Connector Type	F01FEB-A


Terminal No.	Color of Wire	Signal Name [Specification]
1	V	-

Connector No.	E51
Connector Name	HORN
Connector Type	F01FEB-A



Terminal No.	Color of Wire	Signal Name [Specification]
2	B/W	-

Connector No.	E52
Connector Name	WASHER LEVEL SWITCH
Connector Type	Z02FBR

Terminal No.	Color of Wire	Signal Name [Specification]
1	GR	-
2	B/W	-

Connector No.	E53
Connector Name	AMBIENT SENSOR
Connector Type	RS02FB

Terminal No.	Color of Wire	Signal Name [Specification]
1	G	AMBIENT SENSOR SIGNAL
2	O	SENSOR GROUND

Connector No.	E57
Connector Name	DAYTIME RUNNING LIGHT RELAY-1
Connector Type	MS02FL-M2-LC



Terminal No.	Color of Wire	Signal Name [Specification]
1	P	-
2	LG	-
3	R	-
4	B/Y	-
5	LG	-

Connector No.	E58
Connector Name	DAYTIME RUNNING LIGHT RELAY-2
Connector Type	MS02FL-M2-LC

Terminal No.	Color of Wire	Signal Name [Specification]
1	B/Y	-
2	P	-
3	SB	-
5	P	-

Connector No.	E62
Connector Name	COOLING FAN MOTOR
Connector Type	RS0MFCY-PR



Terminal No.	Color of Wire	Signal Name [Specification]
1	LG	-
2	Y	-
3	L	-
4	B/W	-

Connector No.	E64
Connector Name	OPTION CONNECTOR (FRONT FOG LAMP LH)
Connector Type	FCI240PC02SS019

Terminal No.	Color of Wire	Signal Name [Specification]
1	V	-
2	B/W	-

Connector No.	E65
Connector Name	OPTION CONNECTOR (FRONT FOG LAMP RH)
Connector Type	FCI240PC02SS019

Terminal No.	Color of Wire	Signal Name [Specification]
1	W	-
2	B/Y	-

JRMWD3992.GB

CONNECTOR INFORMATION

< DTC/CIRCUIT DIAGNOSIS >

[POWER SUPPLY & GROUND CIRCUIT]

ENGINE ROOM HARNESS

Connector No.	E105
Connector Name	WIRE TO WIRE
Connector Type	TH80MW-CS16-TM4



Terminal No.	Color of Wire	Signal Name [Specification]
1	V	-
2	W	-
3	SB	-
4	G	-
5	P	-
6	L	- [With MAV]
7	R	- [Without MAV]
8	O	-
9	W	-
10	SB	-
31	V	-
32	R	-
33	GR	-
34	P	-
35	Y	-
36	BR	-
39	SB	-
44	R	-
45	V	-
46	P	-
48	L	-
51	B	-
51	BR	- [With M/T]
53	SB	- [With CVT]
54	O	-
54	W	- [With M/T]
57	LG	- [With CVT]
59	L	-
60	O	-
61	G	-
62	W	-
63	L	-
67	GR	- [With CVT]
67	V	- [With M/T]
68	P	-
70	SHIELD	-
71	GR	-

72	LG	-
72	P	-
74	V	-
76	Y	-
77	LG	-
78	O	-
79	G	-
80	P	-
81	L	-
82	W	-
83	BR	-
84	B	-
87	GR	-
91	W	-
92	Y	-
93	Y	-
94	R	-
95	V	-
96	LG	-
97	R	-
98	SB	-
99	G	-
100	P	-

Connector No.	E106
Connector Name	WIRE TO WIRE
Connector Type	L02FB-MC



Terminal No.	Color of Wire	Signal Name [Specification]
1	W	-
2	R	-

Connector No.	E110
Connector Name	ACCELERATOR PEDAL POSITION SENSOR
Connector Type	R009FB



Terminal No.	Color of Wire	Signal Name [Specification]
1	R	-
2	Y	-
3	BR	-
4	V	-
5	O	-
6	G	-

Connector No.	E111
Connector Name	ASCOD CLUTCH SWITCH
Connector Type	M04FW-LC



Terminal No.	Color of Wire	Signal Name [Specification]
3	O	-
4	R	-

Connector No.	E112
Connector Name	ASCOD BRAKE SWITCH
Connector Type	M02FBR-LC



Terminal No.	Color of Wire	Signal Name [Specification]
1	R	- [With M/T]
1	W	- [With CVT]
2	SB	-

Connector No.	E113
Connector Name	CLUTCH INTERLOCK SWITCH
Connector Type	M04FW-LC



Terminal No.	Color of Wire	Signal Name [Specification]
3	Y	-
4	BR	-

Connector No.	E114
Connector Name	STOP LAMP SWITCH
Connector Type	M02FEB-LC



Terminal No.	Color of Wire	Signal Name [Specification]
1	V	-
2	W	-

JRMWD3993GB

A
B
C
D
E
F
G
H
I
J
K
L
PG
N
O
P

CONNECTOR INFORMATION

< DTC/CIRCUIT DIAGNOSIS >

[POWER SUPPLY & GROUND CIRCUIT]

ENGINE ROOM HARNESS	
Connector No.	E115
Connector Name	STOP LAMP SWITCH
Connector Type	MSDFV-LC

3	4
1	2

Terminal No.	Color of Wire	Signal Name [Specification]
1	V	-
2	W	-
3	O	-
4	G	-



JRMWD3994GB

CONNECTOR INFORMATION

[POWER SUPPLY & GROUND CIRCUIT]

< DTC/CIRCUIT DIAGNOSIS >

F Engine Control Harness

INFOID:000000008449545

ENGINE CONTROL HARNESS

Connector No.	F1
Connector Name	WIRE TO WIRE
Connector Type	SAASJFB-RS10-SJ22



Terminal No.	Color of Wire	Signal Name [Specification]
1	SB	-
2	LG	-
3	R	-
4	Y	-
7	V	-
8	G	-
9	SB	-
10	L	-
11	Y	-
12	GR	-
13	BR	-
14	G	-
15	W	-
16	Y	-
17	P	-
18	BR	-
21	G	-
22	L	-
23	W	-
24	R	-
25	R	-
26	B	-
27	SB	-
28	V	-
29	V	-
30	BR	-
31	GR	-
32	BR	-
33	W	-
34	LG	-
35	V	-
36	Y	-
37	SB	-
38	G	-
40	P	-
41	O	-
42	G	-

43	R	-
44	P	-
46	GR	-
47	Y	-
48	BR	-

Connector No.	F3
Connector Name	BATTERY TERMINAL WITH FUSIBLE LINK
Connector Type	24340.79806



Terminal No.	5
Color of Wire	B/R
Signal Name [Specification]	-

Connector No.	F4
Connector Name	MASS AIR FLOW SENSOR
Connector Type	RH06FB



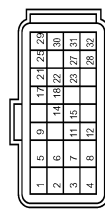
Terminal No.	1
Color of Wire	P
Signal Name [Specification]	-
2	L
3	G
4	R
5	BR

Connector No.	F5
Connector Name	BATTERY TERMINAL WITH FUSIBLE LINK
Connector Type	24340.79807



Terminal No.	7
Color of Wire	B/R
Signal Name [Specification]	-

Connector No.	F7
Connector Name	ECM
Connector Type	RH24FCY-RZ8-R-RH



Terminal No.	Color of Wire	Signal Name [Specification]
1	P	THROTTLE CONTROL MOTOR (OPEN)
2	SB	THROTTLE CONTROL MOTOR RELAY POWER SUPPLY
3	V	TUMBLE CONTROL VALVE MOTOR
4	L	THROTTLE CONTROL MOTOR (OPEN)
5	G	HEATED OXYGEN SENSOR 2 HEATER
6	W	TUMBLE CONTROL VALVE MOTOR (CLOSE)
7	R	TUMBLE CONTROL VALVE MOTOR (OPEN)
8	G	A/F SENSOR 1 HEATER
9	P	EVP CANISTER PURGE VALVE CONTROL SOLENOID VALVE
11	B	ECM GROUND
12	GR	SENSOR GROUND
14	BR	PNP SIGNAL (Except for California)
14	L	PNP SIGNAL (Except for California)
15	Y	THROTTLE CONTROL MOTOR RELAY
17	R	IGNITION SIGNAL No. 1
18	LG	IGNITION SIGNAL No. 2
21	G	IGNITION SIGNAL No. 4
22	SB	IGNITION SIGNAL No. 3
23	GR	FUEL PUMP RELAY
25	V	FUEL INJECTOR No. 4
27	R	ENGINE OIL TEMPERATURE SENSOR

28	SB	EVP CANISTER VENT CONTROL VALVE (For California)
28	W	EVP CANISTER VENT CONTROL VALVE (Except for California)
29	Y	FUEL INJECTOR No. 3
30	O	FUEL INJECTOR No. 2
31	L	FUEL INJECTOR No. 1
32	P	ECM RELAY (SELF SHUT-OFF)

A
B
C
D
E
F
G
H
I
J
K
L
N
O
P

PG

JRMWD3995GB

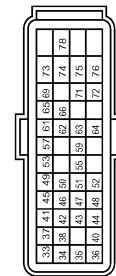
CONNECTOR INFORMATION

< DTC/CIRCUIT DIAGNOSIS >

[POWER SUPPLY & GROUND CIRCUIT]

ENGINE CONTROL HARNESS

Connector No.	F8
Connector Name	ECM
Connector Type	RH40FB-R28-L-RH



Terminal No.	Color of Wire	Signal Name [Specification]
33	LG	THROTTLE POSITION SENSOR 1
34	R	THROTTLE POSITION SENSOR 2
35	V	TUMBLE CONTROL VALVE POSITION SENSOR
36	Y	SENSOR GROUND
37	W	KNOCK SENSOR
38	BR	ENGINE COOLANT TEMPERATURE SENSOR
40	SHIELD	SENSOR GROUND
41	GR	REFRIGERANT PRESSURE SENSOR
42	V	EVAP CONTROL SYSTEM PRESSURE SENSOR
43	P	FUEL TANK TEMPERATURE SENSOR
44	GR	SENSOR GROUND
45	G	MASS AIR FLOW SENSOR
46	L	INTAKE AIR TEMPERATURE SENSOR
47	LG	SENSOR GROUND
48	BR	SENSOR GROUND
49	V	A/F SENSOR 1
50	W	HEATED OXYGEN SENSOR 2
51	Y	SENSOR GROUND
52	R	SENSOR GROUND
53	LG	SENSOR GROUND
55	P	SENSOR GROUND
57	GR	BATTERY CURRENT SENSOR
59	O	SENSOR GROUND
61	W	CRANKSHAFT POSITION SENSOR (POS)
62	B	SENSOR GROUND
63	L	SENSOR GROUND
64	SB	SENSOR GROUND
65	Y	CAMSHAFT POSITION SENSOR (PHASE)
66	L	POWER SUPPLY FOR ECM (BACK-UP)
69	SB	SENSOR POWER SUPPLY
71	Y	SENSOR POWER SUPPLY
72	O	SENSOR POWER SUPPLY
73	P	INTAKE VALVE TIMING CONTROL SOLENOID VALVE
74	W	SENSOR POWER SUPPLY
75	R	SENSOR POWER SUPPLY
76	LG	SENSOR POWER SUPPLY
78	G	SENSOR POWER SUPPLY

Connector No.	F10
Connector Name	STARTER MOTOR
Connector Type	24330 ED024



Terminal No.	1	R	Signal Name [Specification]
--------------	---	---	-----------------------------

Connector No.	F12
Connector Name	KNOCK SENSOR
Connector Type	BS02FB-AHY



Terminal No.	1	W	Signal Name [Specification]
2	SHIELD		

Connector No.	F13
Connector Name	CONDENSER
Connector Type	M02FW-LC



Terminal No.	1	V	Signal Name [Specification]
2	B		

Connector No.	F14
Connector Name	ALTERNATOR
Connector Type	24330 BSF42



Terminal No.	1	B/R	Signal Name [Specification]
--------------	---	-----	-----------------------------

Connector No.	F15
Connector Name	ALTERNATOR
Connector Type	HS02FB



Terminal No.	3	LG	Signal Name [Specification]
4	G		
5	O		

Connector No.	F17
Connector Name	COMPRESSOR
Connector Type	RS01FB



Terminal No.	1	W	Signal Name [Specification]
			MAGNET CLUTCH POWER SUPPLY

Connector No.	F19
Connector Name	SECONDARY SPEED SENSOR
Connector Type	RK03FB



Terminal No.	1	LG	Signal Name [Specification]
2	G		
3	R		

Connector No.	F20
Connector Name	CRANKSHAFT POSITION SENSOR (POS)
Connector Type	RR03FB



Terminal No.	1	R	Signal Name [Specification]
2	B		
3	W		

JRMWD3996GB

CONNECTOR INFORMATION

[POWER SUPPLY & GROUND CIRCUIT]

< DTC/CIRCUIT DIAGNOSIS >

ENGINE CONTROL HARNESS

Connector No.	F21
Connector Name	TRANSMISSION RANGE SWITCH
Connector Type	RK08FG



Terminal No.	Color of Wire	Signal Name [Specification]
1	R	-
2	W	-
3	R	-
4	GR	-
5	SB	-
6	W	-
7	Y	-
8	G	-

Connector No.	F22
Connector Name	TUMBLE CONTROL VALVE ACTUATOR
Connector Type	HS05FGY



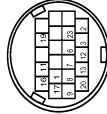
Terminal No.	Color of Wire	Signal Name [Specification]
1	SB	VDD
2	LG	GROUND
3	V	CUT
4	R	OPEN
5	W	CLOSE

Connector No.	F23
Connector Name	PAFK / NEUTRAL POSITION SWITCH
Connector Type	FEA05FG



Terminal No.	Color of Wire	Signal Name [Specification]
1	G	-
2	R	-
3	L	-

Connector No.	F24
Connector Name	O/V T UNIT
Connector Type	Yazaki 7283-2/50-30



Terminal No.	Color of Wire	Signal Name [Specification]
1	Y	-
2	R	-
3	LG	-
6	P	-
7	Y	-
8	W	-
9	G	-
11	G	-
12	SB	-
13	BR	-
16	L	-
17	BR	-
19	LG	-
20	O	-
23	L	-

Connector No.	F26
Connector Name	GAMSHAFT POSITION SENSOR (PHASE)
Connector Type	RH05FB



Terminal No.	Color of Wire	Signal Name [Specification]
1	G	-
2	L	-
3	Y	-

Connector No.	F28
Connector Name	ENGINE COOLANT TEMPERATURE SENSOR
Connector Type	EDZFGY-RS



Terminal No.	Color of Wire	Signal Name [Specification]
1	BR	-
2	GR	-

Connector No.	F29
Connector Name	ELECTRIC THROTTLE CONTROL ACTUATOR
Connector Type	HS05FB



Terminal No.	Color of Wire	Signal Name [Specification]
1	LG	-

2	O	-
3	R	-
4	Y	-
5	L	-
6	P	-

Connector No.	F30
Connector Name	HEATED OXYGEN SENSOR
Connector Type	AFZ04FB-P



Terminal No.	Color of Wire	Signal Name [Specification]
1	O	-
2	R	-
3	G	-
4	W	-

Connector No.	F32
Connector Name	EVAP CANISTER PURGE VOLUME CONTROL SOLENOID VALVE
Connector Type	EEZFL-RS-LGY



Terminal No.	Color of Wire	Signal Name [Specification]
1	G	-
2	P	-

A
B
C
D
E
F
G
H
I
J
K
L
PG
N
O
P

CONNECTOR INFORMATION

< DTC/CIRCUIT DIAGNOSIS >

[POWER SUPPLY & GROUND CIRCUIT]

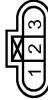
ENGINE CONTROL HARNESS

Connector No.	F33
Connector Name	IGNITION COIL No. 1 (WITH POWER TRANSISTOR)
Connector Type	E03FGY-RS



Terminal No.	Color of Wire	Signal Name [Specification]
1	R	-
2	B	-
3	V	-

Connector No.	F34
Connector Name	IGNITION COIL No. 2 (WITH POWER TRANSISTOR)
Connector Type	E03FGY-RS



Terminal No.	Color of Wire	Signal Name [Specification]
1	LG	-
2	B	-
3	V	-

Connector No.	F35
Connector Name	IGNITION COIL No. 3 (WITH POWER TRANSISTOR)
Connector Type	E03FGY-RS



Terminal No.	Color of Wire	Signal Name [Specification]
1	R	-
2	B	-
3	V	-

1	SB	-
2	B	-
3	V	-

Connector No.	F36
Connector Name	IGNITION COIL No. 4 (WITH POWER TRANSISTOR)
Connector Type	E03FGY-RS



Terminal No.	Color of Wire	Signal Name [Specification]
1	G	-
2	B	-
3	V	-

Connector No.	F37
Connector Name	FUEL INJECTOR No. 1
Connector Type	HSD2FGY



Terminal No.	Color of Wire	Signal Name [Specification]
1	SB	-
2	L	-

Connector No.	F38
Connector Name	FUEL INJECTOR No. 2
Connector Type	HSD2FGY



Terminal No.	Color of Wire	Signal Name [Specification]
1	SB	-
2	O	-

Connector No.	F39
Connector Name	FUEL INJECTOR No. 3
Connector Type	HSD2FGY



Terminal No.	Color of Wire	Signal Name [Specification]
1	SB	-
2	Y	-

Connector No.	F40
Connector Name	FUEL INJECTOR No. 4
Connector Type	HSD2FGY



Terminal No.	Color of Wire	Signal Name [Specification]
1	SB	-
2	V	-

Connector No.	F41
Connector Name	REFRESH VALVE TRIMMING CONTROL SOLENOID VALVE
Connector Type	ED2FG-RS-LGY



Terminal No.	Color of Wire	Signal Name [Specification]
1	V	-
2	P	-

Connector No.	F42
Connector Name	ALTERNATOR
Connector Type	24340-79906



Terminal No.	Color of Wire	Signal Name [Specification]
2	B/Y	-

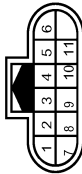
CONNECTOR INFORMATION

[POWER SUPPLY & GROUND CIRCUIT]

< DTC/CIRCUIT DIAGNOSIS >

ENGINE CONTROL HARNESS

Connector No.	F46
Connector Name	WIRE TO WIRE
Connector Type	RH12MB



Terminal No.	Color of Wire	Signal Name [Specification]
1	G	-
2	O	-
3	L	-
4	V	-
5	BR	-
6	LG	-
7	Y	-
8	SB	-
9	W	-
10	R	-
11	G	-

Connector No.	F48
Connector Name	ENGINE OIL TEMPERATURE SENSOR
Connector Type	ED1FGY-RS



Terminal No.	Color of Wire	Signal Name [Specification]
1	R	-
2	GR	-

Connector No.	F49
Connector Name	HEATED OXYGEN SENSOR
Connector Type	AF20AFGY-P



Terminal No.	Color of Wire	Signal Name [Specification]
1	O	-
2	R	-
3	G	-
4	W	-

Connector No.	F50
Connector Name	AIR FUEL RATIO (A/F) SENSOR 1
Connector Type	RH04MDGY-BR



Terminal No.	Color of Wire	Signal Name [Specification]
1	V	-
2	LG	-
3	G	-
4	R	-

Connector No.	F51
Connector Name	AIR FUEL RATIO (A/F) SENSOR 1
Connector Type	AF20AFBR



Terminal No.	Color of Wire	Signal Name [Specification]
1	V	-
2	LG	-
3	G	-
4	R	-

Connector No.	F53
Connector Name	BATTERY CURRENT SENSOR
Connector Type	RH03PFB



Terminal No.	Color of Wire	Signal Name [Specification]
1	Y	-
2	SB	-
3	GR	-

Connector No.	F55
Connector Name	PRIMARY SPEED SENSOR
Connector Type	RK03PFB



Terminal No.	Color of Wire	Signal Name [Specification]
1	LG	-
2	V	-
3	R	-

Connector No.	F56
Connector Name	STARTER MOTOR
Connector Type	F2340_JG04B



Terminal No.	Color of Wire	Signal Name [Specification]
2	B/R	-

Connector No.	F63
Connector Name	OIL PRESSURE SWITCH
Connector Type	ED1FGY-RS-AR



Terminal No.	Color of Wire	Signal Name [Specification]
1	BR	-

A
B
C
D
E
F
G
H
I
J
K
L
N
O
P

PG

JRMWD3999GB

CONNECTOR INFORMATION

[POWER SUPPLY & GROUND CIRCUIT]

< DTC/CIRCUIT DIAGNOSIS >

M Main Harness

INFOID:000000008449546

MAIN HARNESS		
Connector No.	M1	
Connector Name	FUSE BLOCK (J/B)	
Connector Type	24311.ED000	
Terminal No.	1	W
Color of Wire		
Signal Name [Specification]		
Terminal No.	1	W
Color of Wire		
Signal Name [Specification]		
Connector No.	M2	
Connector Name	FUSE BLOCK (J/B)	
Connector Type	24311.ED000-X	
Terminal No.	1	W
Color of Wire		
Signal Name [Specification]		
Terminal No.	2	W/B
Color of Wire		
Signal Name [Specification]		
Terminal No.	2	W/R
Color of Wire		
Signal Name [Specification]		
Connector No.	M3	
Connector Name	DATA LINK CONNECTOR	
Connector Type	BD16FW	
Terminal No.	4	B
Color of Wire		
Signal Name [Specification]		
Terminal No.	5	B
Color of Wire		
Signal Name [Specification]		
Terminal No.	6	L
Color of Wire		
Signal Name [Specification]		
Connector No.	M4	
Connector Name	TWEETER RH	
Connector Type	TK02FBR	
Terminal No.	1	SB
Color of Wire		
Signal Name [Specification]		
Terminal No.	2	R/G
Color of Wire		
Signal Name [Specification]		
Terminal No.	3	V
Color of Wire		
Signal Name [Specification]		
Connector No.	M5	
Connector Name	VDC OFF SWITCH	
Connector Type	TK08FGY	
Terminal No.	1	SB
Color of Wire		
Signal Name [Specification]		
Terminal No.	2	B
Color of Wire		
Signal Name [Specification]		
Terminal No.	3	W
Color of Wire		
Signal Name [Specification]		
Terminal No.	4	B/R
Color of Wire		
Signal Name [Specification]		
Connector No.	M6	
Connector Name	DOOR MIRROR REMOTE CONTROL SWITCH	
Connector Type	TK18FW	
Terminal No.	2	V
Color of Wire		
Signal Name [Specification]		
Terminal No.	3	R
Color of Wire		
Signal Name [Specification]		
Terminal No.	4	G/B
Color of Wire		
Signal Name [Specification]		
Terminal No.	5	BR
Color of Wire		
Signal Name [Specification]		
Terminal No.	6	GR
Color of Wire		
Signal Name [Specification]		
Terminal No.	7	LG
Color of Wire		
Signal Name [Specification]		
Terminal No.	12	B
Color of Wire		
Signal Name [Specification]		
Terminal No.	13	L/Y
Color of Wire		
Signal Name [Specification]		
Connector No.	M7	
Connector Name	IGNITION RELAY	
Connector Type	MS02E-M2-LC	
Terminal No.	1	B
Color of Wire		
Signal Name [Specification]		
Terminal No.	2	W/R
Color of Wire		
Signal Name [Specification]		
Terminal No.	3	W/B
Color of Wire		
Signal Name [Specification]		
Terminal No.	5	L
Color of Wire		
Signal Name [Specification]		
Connector No.	M8	
Connector Name	PARKING BRAKE SWITCH	
Connector Type	PD1FB-A	
Terminal No.	1	SB
Color of Wire		
Signal Name [Specification]		
Terminal No.	1	SB
Color of Wire		
Signal Name [Specification]		
Connector No.	M9	
Connector Name	TWEETER RH	
Connector Type	TK02FBR	
Terminal No.	1	R/G
Color of Wire		
Signal Name [Specification]		
Terminal No.	2	L/B
Color of Wire		
Signal Name [Specification]		
Terminal No.	3	V
Color of Wire		
Signal Name [Specification]		
Connector No.	M10	
Connector Name	IGNITION RELAY	
Connector Type	MS02E-M2-LC	
Terminal No.	1	B
Color of Wire		
Signal Name [Specification]		
Terminal No.	2	W/R
Color of Wire		
Signal Name [Specification]		
Terminal No.	3	W/B
Color of Wire		
Signal Name [Specification]		
Terminal No.	5	L
Color of Wire		
Signal Name [Specification]		
Connector No.	M11	
Connector Name	PARKING BRAKE SWITCH	
Connector Type	PD1FB-A	
Terminal No.	1	SB
Color of Wire		
Signal Name [Specification]		
Terminal No.	1	SB
Color of Wire		
Signal Name [Specification]		
Connector No.	M12	
Connector Name	TWEETER RH	
Connector Type	TK02FBR	
Terminal No.	1	R/G
Color of Wire		
Signal Name [Specification]		
Terminal No.	2	L/B
Color of Wire		
Signal Name [Specification]		
Terminal No.	3	V
Color of Wire		
Signal Name [Specification]		
Connector No.	M13	
Connector Name	OPTICAL SENSOR	
Connector Type	TK03FW	
Terminal No.	1	W
Color of Wire		
Signal Name [Specification]		
Terminal No.	2	P
Color of Wire		
Signal Name [Specification]		
Connector No.	M14	
Connector Name	TWEETER RH	
Connector Type	TK02FBR	
Terminal No.	1	R/G
Color of Wire		
Signal Name [Specification]		
Terminal No.	2	L/B
Color of Wire		
Signal Name [Specification]		
Terminal No.	3	V
Color of Wire		
Signal Name [Specification]		

JRMWD4000GB

CONNECTOR INFORMATION

< DTC/CIRCUIT DIAGNOSIS >

[POWER SUPPLY & GROUND CIRCUIT]

MAIN HARNESS

Connector No.	M18
Connector Name	WIRE TO WIRE
Connector Type	INS16FW-CS

7	6	5	4	3	1		
16	15	13	12	11	10	9	8

Terminal No.	Color of Wire	Signal Name [Specification]
1	G/R	-
3	L/W	-
4	L	-
5	Y	-
6	L/B	-
7	LG	-
8	GR	-
9	SB	-
10	W/L	-
11	G	-
12	V	-
13	L	-
15	L	-
16	GR	-

Connector No.	M19
Connector Name	WIRE TO WIRE
Connector Type	INS16FW-CS

7	6	5	4	3	2	1	
16	15	14	12	11	10	9	8

Terminal No.	Color of Wire	Signal Name [Specification]
1	V	-
2	W	-
3	O	-
5	L/R	-
6	R	-
7	L	-
8	R/B	-
9	G	-

10	V	-
11	L/W	-
12	LG	-
14	R	-
15	Y/R	-
16	B/R	-

Connector No.	M20
Connector Name	WIRE TO WIRE
Connector Type	NH16MW-CS10

1	2	3	5	6	
9	10	12	13	19	20
7	8	14	15	17	18

Terminal No.	Color of Wire	Signal Name [Specification]
1	L/W	-
2	W/R	-
3	Y	-
5	L/B	-
6	R	-
7	L	-
8	Y/R	-
9	SB	-
10	LG	-
12	GR	-
13	W/B	-
14	G/B	-
15	V	-
17	BR	-
18	W/R	-
19	L/R	-
20	B	-

Connector No.	M21
Connector Name	WIRE TO WIRE
Connector Type	TH132FW-NH

18	13	14	1	2	3	4				
12	11	10	24	23	22	21	20	19	18	17

Terminal No.	Color of Wire	Signal Name [Specification]
1	SB	-
2	G	-
3	V	-
4	SHIELD	-
5	O	-
6	G/O	-
7	GR/R	-
14	L	-
15	SB	-
16	SB	-
17	LG	-
18	SHIELD	-
19	BR	-
20	Y	-
21	L/Y	-
22	V	-
23	W/G	-
24	L/B	-
30	P	-
31	LG	-
32	LG	-

Connector No.	M22
Connector Name	WIRE TO WIRE
Connector Type	NH16MW-CS10

1	2	4	5	6			
7	8	9	10	11	12	13	20

Terminal No.	Color of Wire	Signal Name [Specification]
1	G	-

2	G	-
4	B	-
5	L	-
6	W/R	-
7	R	-
8	V	-
9	G/R	-
10	LG	-
11	R	-
12	G	-
13	BR/Y	-
14	B	-
15	G/B	-
16	GR	-
17	BR	-
18	L/Y	-
20	Y/R	-

Connector No.	M23
Connector Name	WIRE TO WIRE
Connector Type	NS16MW-CS



8	9	10	6	7	16
---	---	----	---	---	----

Terminal No.	Color of Wire	Signal Name [Specification]
6	V	-
7	G	-
8	L	-
9	BR	-
10	B	-
16	SHIELD	-

A
B
C
D
E
F
G
H
I
J
K
L
PG
N
O
P

CONNECTOR INFORMATION

< DTC/CIRCUIT DIAGNOSIS >

[POWER SUPPLY & GROUND CIRCUIT]

MAIN HARNESS

Connector No.	M24
Connector Name	KEY SWITCH
Connector Type	TK68BGY





Terminal No.	Color of Wire	Signal Name [Specification]
1	R/W	-
2	LG/R	-

Connector No.	M26
Connector Name	NAVS ANTENNA AMP.
Connector Type	TH04FW-NH



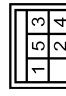

Terminal No.	Color of Wire	Signal Name [Specification]
1	Y	BAT
2	P/L	CLK
3	B	GND [Without Intelligent Key]
3	LG	DATA [With Intelligent Key]
4	B	GND [With Intelligent Key]
4	LG	DATA [Without Intelligent Key]

Connector No.	M27
Connector Name	COMBINATION SWITCH
Connector Type	TH16FW-NH




Terminal No.	Color of Wire	Signal Name [Specification]
1	O/B	WASHER (RR)
2	GR	OUTPUT 4
3	R/G	WASHER (FR)
4	W	IGN
5	L/Y	OUTPUT 3
6	B	GROUND
7	W	INPUT 3
8	BR/W	OUTPUT 5
9	R/L	INPUT 2
10	Y/L	INPUT 4
11	L/O	INPUT 1
12	L/R	OUTPUT 1
13	LG	INPUT 5
14	G	OUTPUT 2

Connector No.	M29
Connector Name	IGNITION SWITCH
Connector Type	M08FW-LC




Terminal No.	Color of Wire	Signal Name [Specification]
1	L	-
2	G	-
3	W/R	-
4	Y/B	-
5	W	-

Connector No.	M30
Connector Name	STEERING ANGLE SENSOR
Connector Type	TH08FW-NH




Terminal No.	Color of Wire	Signal Name [Specification]
1	B	GROUND
2	P	CAN-L
3	GR/L	IGN
5	L	CAN-H

Connector No.	M32
Connector Name	COMBINATION SWITCH (SPIRAL CABLE)
Connector Type	TK08FY-EX-TV





Terminal No.	Color of Wire	Signal Name [Specification]
23	W	-
28	Y	-
29	L/Y	-
30	Y/R	-

Connector No.	M33
Connector Name	COMBINATION SWITCH (SPIRAL CABLE)
Connector Type	TK08FY-TV




Terminal No.	Color of Wire	Signal Name [Specification]
24	W/L	-
25	R/L	-
26	B/R	-
31	GR/B	-
32	B/W	-
33	L/G	-
34	R/B	-

Connector No.	M34
Connector Name	COMBINATION METER
Connector Type	TH48FW-NH




Terminal No.	Color of Wire	Signal Name [Specification]
1	L	CAN-L
2	P	CAN-L
3	V	VEHICLE SPEED SIGNAL (2-PULSE)
4	L	VEHICLE SPEED SIGNAL (8-PULSE) [Without NAVI]
4	V/R	VEHICLE SPEED SIGNAL (8-PULSE) [With NAVI]
6	BR/Y	FUEL LEVEL SENSOR SIGNAL
7	R/G	AIR BAG SIGNAL
8	P	OVERDRIVE CONTROL SWITCH SIGNAL
9	O	SEAT BELT BUCKLE SWITCH SIGNAL (DRIVER SIDE)
10	SB	PARKING BRAKE SWITCH SIGNAL
11	G/R	BRAKE FLUID LEVEL SWITCH SIGNAL
13	B/R	ILLUMINATION CONTROL SIGNAL
15	L/Y	ACC POWER SUPPLY
17	G	WASHER LEVEL SWITCH SIGNAL
18	R/Y	SECURITY SIGNAL
19	PL/W	AMBIENT SENSOR SIGNAL
20	R/W	AMBIENT SENSOR GROUND
21	B	GROUND
22	B	GROUND
23	B	GROUND
24	PU	FUEL LEVEL SENSOR GROUND
25	B	VDC GROUND
27	LG	BATTERY POWER SUPPLY
28	GR	IGNITION SIGNAL
29	BR	PASSENGER SEAT BELT WARNING SIGNAL
31	R	A/C AUTO AMP CONNECTION RECOGNITION SIGNAL
35	BR	ENGINE COOLANT TEMPERATURE SIGNAL
38	GR	ALTERNATOR SIGNAL

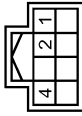
CONNECTOR INFORMATION

< DTC/CIRCUIT DIAGNOSIS >

[POWER SUPPLY & GROUND CIRCUIT]

MAIN HARNESS

Connector No.	M37
Connector Name	EPS CONTROL UNIT
Connector Type	TH18FB



Terminal No.	Color of Wire	Signal Name [Specification]
1	P	CAN-L
2	L	CAN-H
4	O	IGN

Connector No.	M38
Connector Name	EPS CONTROL UNIT
Connector Type	LDFB-UH



Terminal No.	Color of Wire	Signal Name [Specification]
17	R	BAT
18	B	GROUND

Connector No.	M39
Connector Name	BLOWER MOTOR
Connector Type	TM2FW



Terminal No.	Color of Wire	Signal Name [Specification]
1	Y	BLOWER MOTOR POWER SUPPLY

2	L	SENSOR GROUND [With manual A, C]
2	R	BLOWER MOTOR CONTROL SIGNAL [With auto A, C]

Connector No.	M40
Connector Name	WIRE TO WIRE
Connector Type	NS10MW-GS



Terminal No.	Color of Wire	Signal Name [Specification]
1	W	-
2	V	-
3	V	-
4	G/R	-
5	P	-
6	L/B	-
8	GR	-
9	BR	-
10	B	-

Connector No.	M41
Connector Name	IN-VEHICLE SENSOR
Connector Type	A02FW



Terminal No.	Color of Wire	Signal Name [Specification]
1	G	IN-VEHICLE SENSOR SIGNAL
2	R/W	SENSOR GROUND

Connector No.	M42
Connector Name	INTAKE SENSOR
Connector Type	TK2FBR



Terminal No.	Color of Wire	Signal Name [Specification]
1	O	INTAKE SENSOR SIGNAL
2	R/W	SENSOR GROUND

Connector No.	M44
Connector Name	THERMO CONTROL AMP
Connector Type	S08FW



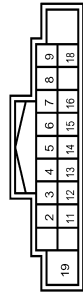
Terminal No.	Color of Wire	Signal Name [Specification]
1	Y	-
2	GR	-
3	B	-
4	V	-
5	B/W	-

Connector No.	M45
Connector Name	HAZARD SWITCH
Connector Type	TK0FW



Terminal No.	Color of Wire	Signal Name [Specification]
1	B	-
2	L/W	-
3	W	-
4	B/R	-

Connector No.	M46
Connector Name	AUDIO UNIT
Connector Type	TH18FW-CSZ



Terminal No.	Color of Wire	Signal Name [Specification]
2	W	SOUND SIGNAL FRONT SPEAKER LH (+)
3	P	SOUND SIGNAL FRONT SPEAKER LH (-)
4	V	SOUND SIGNAL REAR SPEAKER LH (+)
5	R/B	SOUND SIGNAL REAR SPEAKER LH (-)
6	W/G	STRG SW A
7	L/Y	ACC
8	B/R	ILLUMINATION CONTROL SIGNAL (-)
9	W	ILLUMINATION CONTROL SIGNAL (+)
11	G	SOUND SIGNAL FRONT SPEAKER RH (+)
12	R	SOUND SIGNAL FRONT SPEAKER RH (-)
13	LG	SOUND SIGNAL REAR SPEAKER RH (+)
14	GR	SOUND SIGNAL REAR SPEAKER RH (-)
15	L/B	STRG SW GND
16	GR/R	STRG SW B
18	L	VEHICLE SPEED (8-PULSE)
19	L	BATTERY

JRMWD4003GB

A B C D E F G H I J K L N O P

PG

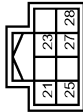
CONNECTOR INFORMATION

< DTC/CIRCUIT DIAGNOSIS >

[POWER SUPPLY & GROUND CIRCUIT]

MAIN HARNESS

Connector No.	M47
Connector Name	AUDIO UNIT
Connector Type	TH18FW-NH



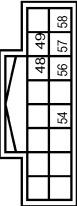
Terminal No.	Color of Wire	Signal Name [Specification]
21	R	iPed SOUND SIGNAL LH (+)
23	B	iPed SOUND SIGNAL RH (+)
25	W	iPed SOUND SIGNAL LH (-)
27	G	iPed SOUND SIGNAL RH (-)
28	S	SHIELD

Connector No.	M48
Connector Name	HEATED SEAT RELAY
Connector Type	MS02FL-M2-LC



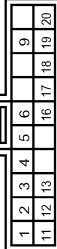
Terminal No.	Color of Wire	Signal Name [Specification]
1	O	-
2	B	-
3	G	-
5	BR	-

Connector No.	M49
Connector Name	AUDIO UNIT
Connector Type	TH18FW-NH



Terminal No.	Color of Wire	Signal Name [Specification]
48	SB	AV COMM (H)
49	LG	AV COMM (L)
54	O	TEL ON SIGNAL
56	BR	SOUND SIGNAL (+)
57	Y	SOUND SIGNAL (-)
58	S	SHIELD

Connector No.	M50
Connector Name	A/C AUTO AMP.
Connector Type	TK20FY



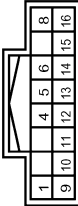
Terminal No.	Color of Wire	Signal Name [Specification]
1	W	ILLUMINATION POWER SUPPLY
2	R	A/C AUTO AMP. CONNECTION RECOGNITION SIGNAL
3	R	INTAKE DOOR MOTOR PBR POWER SUPPLY
4	LG	BATTERY POWER SUPPLY
5	O	IGNITION POWER SUPPLY
6	R/W	SENSOR GROUND
9	Y	IGNITION POWER SUPPLY
11	B/R	ILLUMINATION GROUND
12	L	FRE DRIVE SIGNAL
13	G	REG DRIVE SIGNAL
16	B	GROUND
17	BR	A/MIX DRIVE SIGNAL 4
18	SB	A/MIX DRIVE SIGNAL 3
19	GR	A/MIX DRIVE SIGNAL 2
20	P	A/MIX DRIVE SIGNAL 1

Connector No.	M51
Connector Name	A/C AUTO AMP.
Connector Type	TK18FY



Terminal No.	Color of Wire	Signal Name [Specification]
21	BR	WATER TEMPERATURE SIGNAL
22	P/U/W	AMBIENT SENSOR SIGNAL
23	O	INTAKE SENSOR SIGNAL
24	G	IN-VEHICLE SENSOR SIGNAL
25	P	SUNLOAD SENSOR SIGNAL
26	SB	INTAKE DOOR MOTOR PBR F/B SIGNAL
27	R	REAR WINDOW DEFOGGER F/B SIGNAL
29	GR	MODE DRIVE SIGNAL 4
30	W	MODE DRIVE SIGNAL 3
31	Y	MODE DRIVE SIGNAL 2
32	V	MODE DRIVE SIGNAL 1
33	W/L	REAR WINDOW DEFOGGER ON SIGNAL
34	Y/G	A/C ON SIGNAL
35	G/W	BLOWER FAN ON SIGNAL
36	GR/R	POWER TRANSISTOR CONTROL SIGNAL

Connector No.	M53
Connector Name	A/C CONTROL
Connector Type	TH18FW-NH



Terminal No.	Color of Wire	Signal Name [Specification]
1	W	-
4	R	-
5	W/L	-
6	G/Y	-
8	G	-
9	B/R	-
10	B/W	-

11	V	-
12	Y/R	-
13	SB	-
14	Y	-
15	B	-
16	L	-

Connector No.	M54
Connector Name	INTAKE DOOR MOTOR
Connector Type	1813P-0001



Terminal No.	Color of Wire	Signal Name [Specification]
1	R	INTAKE DOOR MOTOR PBR POWER SUPPLY
2	G	INTAKE DOOR MOTOR PBR F/B SIGNAL (With manual A/C)
3	R/W	INTAKE DOOR MOTOR PBR F/B SIGNAL (With auto A/C)
5	G	GROUND
6	L	REC DRIVE SIGNAL

Connector No.	M55
Connector Name	AIR MIX DOOR MOTOR
Connector Type	MAA08FB



Terminal No.	Color of Wire	Signal Name [Specification]
1	GR	A/MIX DRIVE SIGNAL 2
2	O	IGNITION POWER SUPPLY
3	BR	A/MIX DRIVE SIGNAL 4
4	P	A/MIX DRIVE SIGNAL 1
6	SB	A/MIX DRIVE SIGNAL 3

CONNECTOR INFORMATION

[POWER SUPPLY & GROUND CIRCUIT]

< DTC/CIRCUIT DIAGNOSIS >

MAIN HARNESS

Connector No.	M56
Connector Name	MODE DOOR MOTOR
Connector Type	TH08FW-NH



Terminal No.	Color of Wire	Signal Name [Specification]
1	V	MODE DRIVE SIGNAL 1
2	Y	MODE DRIVE SIGNAL 2
3	W	MODE DRIVE SIGNAL 3
4	GR	MODE DRIVE SIGNAL 4
5	O	IGNITION POWER SUPPLY

Connector No.	M57
Connector Name	CVT SHIFT SELECTOR
Connector Type	TH08FW-NH



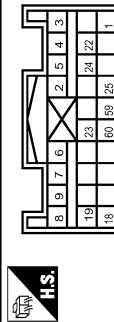
Terminal No.	Color of Wire	Signal Name [Specification]
1	P	-
2	B	-
3	W	-
4	B/R	-
5	LG	-
6	B	-

Connector No.	M58
Connector Name	CVT SHIFT SELECTOR
Connector Type	TH08FW-NH



Terminal No.	Color of Wire	Signal Name [Specification]
1	P	-
2	B	-
3	W	-
4	B/R	-
5	LG	-
6	B	-
7	Y/R	-
8	G/Y	-

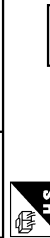
Connector No.	M59
Connector Name	AIR BAG DIAGNOSIS SENSOR UNIT
Connector Type	NH28FY-EX



Terminal No.	Color of Wire	Signal Name [Specification]
1	R/L	IGN
2	B	GROUND
3	Y	DR 1 (+)
4	Y/R	DR 1 (-) DR 2 (-)
5	L/Y	DR 2 (+)
6	Y/G	AS 1 (+)
7	Y/B	AS 1 (-)
8	Y/L	AS 2 (+)
9	G/Y	AS 2 (-)
18	LG	ECZS (+)
19	V	ECZS (-)
22	SHIELD	SHIELD
23	R/G	AIR BAG W/L
24	BR	SEAT BELT W/L

25	R/B	CUTOFF TELLTALE
29	L	CAN-H
30	P	CAN-L

Connector No.	M60
Connector Name	POWER SOCKET
Connector Type	PD2FB-Z



Terminal No.	Color of Wire	Signal Name [Specification]
1	V	-
2	B	-

Connector No.	M61
Connector Name	REMOTE KEYLESS ENTRY RECEIVER
Connector Type	TK04FW



Terminal No.	Color of Wire	Signal Name [Specification]
1	V	-
2	G/Y	-
4	BR	-

Connector No.	M62
Connector Name	PASSENGER AIR BAG MODULE
Connector Type	FR04FY-BD



Terminal No.	Color of Wire	Signal Name [Specification]
1	Y/G	-
2	Y/B	-
3	Y/L	-
4	G/Y	-

Connector No.	M64
Connector Name	PASSENGER AIR BAG OFF INDICATOR
Connector Type	JA005FB



Terminal No.	Color of Wire	Signal Name [Specification]
1	R/B	-
2	B	-

JRMWD4005GB

A
B
C
D
E
F
G
H
I
J
K
L
N
O
P

PG

CONNECTOR INFORMATION

< DTC/CIRCUIT DIAGNOSIS >

[POWER SUPPLY & GROUND CIRCUIT]

MAIN HARNESS

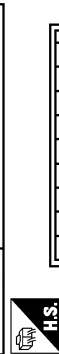
Connector No.	M65
Connector Name	BCM (BODY CONTROL MODULE)
Connector Type	TH40FB-NH



H.S.

Terminal No.	Color of Wire	Signal Name [Specification]
2	BR/W	COMBI SW INPUT 5
3	GR	COMBI SW INPUT 4
4	L/Y	COMBI SW INPUT 3
5	G	COMBI SW INPUT 2
6	L/R	COMBI SW INPUT 1
7	W/R	KEY CYL UNLOCK SW
8	W/B	KEY CYL LOCK SW
9	R	STOP LAMP SW
10	W/L	REAR WINDOW DEFOGGER SW
11	L/Y	ACC POWER SUPPLY
12	SB	PASSENGER DOOR SW
13	GR/L	REAR RH DOOR SW
14	L/G	-
17	R/G	-
18	V	RECEIVER / SENSOR GND
19	BR	KEYLESS ENTRY RECEIVER POWER SUPPLY
20	G/Y	KEYLESS ENTRY RECEIVER COMM
21	P/L	NATS ANTENNA AMP
23	R/Y	SECURITY INDICATOR LAMP
24	GR/B	DONGLE LINK
25	LG	NATS ANTENNA AMP
26	GR	THERMO CONTROL AMP
27	Y/G	A/C SW
28	G/W	BLOWER FAN SW
29	L/W	HAZARD SW
31	G/Y	FR DEFROSTER SW
32	LG	COMBI SW OUTPUT 5
33	Y/L	COMBI SW OUTPUT 4
34	W	COMBI SW OUTPUT 3
35	R/L	COMBI SW OUTPUT 2
36	L/O	COMBI SW OUTPUT 1
37	R/W	KEY SWITCH
38	O	IGNITION POWER SUPPLY
39	L	CAN-H
40	P	CAN-L

Connector No.	M66
Connector Name	BCM (BODY CONTROL MODULE)
Connector Type	FEA09FB-FHA6-SA



H.S.

Terminal No.	Color of Wire	Signal Name [Specification]
43	W	BACK DOOR SW
44	LG	REAR WIPER STOP POSITION
45	GR	CENTRAL DOOR LOCK SW
46	BR	CENTRAL DOOR UNLOCK SW
47	BR/Y	DRIVER DOOR SW
48	W/G	REAR LH DOOR SW
50	SB	A/C INDICATOR OUTPUT
54	LG	REAR WIPER OUTPUT

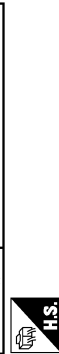
Connector No.	M67
Connector Name	BCM (BODY CONTROL MODULE)
Connector Type	FEA09FB-FHA6-SA



H.S.

Terminal No.	Color of Wire	Signal Name [Specification]
56	L	INTERIOR ROOM LAMP POWER SUPPLY
57	Y	BAT (FUSE)
59	L/B	DRIVER DOOR UNLOCK OUTPUT
60	W/B	TURN SIGNAL LH OUTPUT
61	W/L	TURN SIGNAL RH OUTPUT
63	BR	ROOM LAMP TIMER CONTROL
65	V	ALL DOOR LOCK OUTPUT
66	G	PASSENGER DOOR REAR DOOR UNLOCK OUTPUT
67	B	GROUND
68	L	POWER WINDOW POWER SUPPLY (IGN)
69	P	POWER WINDOW POWER SUPPLY (BAT)
70	Y	BAT (F/L)

Connector No.	M68
Connector Name	BCM (BODY CONTROL MODULE)
Connector Type	TH40FB-NH



H.S.

Terminal No.	Color of Wire	Signal Name [Specification]
2	BR/W	COMBI SW INPUT 5
3	GR	COMBI SW INPUT 4
4	L/Y	COMBI SW INPUT 3
5	G	COMBI SW INPUT 2
6	L/R	COMBI SW INPUT 1
7	W/R	KEY CYL UNLOCK SW
8	W/B	KEY CYL LOCK SW
9	R	STOP LAMP SW
12	GR	CENTRAL DOOR LOCK SW
13	BR	CENTRAL DOOR UNLOCK SW
14	L/G	OPTICAL SENSOR
15	W/L	REAR WINDOW DEFOGGER SW
17	R/G	OPTICAL SENSOR POWER SUPPLY
18	V	SENSOR GND
21	P/L	NATS ANTENNA AMP
23	R/Y	SECURITY INDICATOR LAMP
24	SB	DONGLE LINK
25	LG	NATS ANTENNA AMP
26	GR	THERMO CONTROL AMP
27	O	A/C SW
28	G/W	BLOWER FAN SW
29	L/W	HAZARD SW
31	G/B	DR DOOR UNLOCK SENSOR
32	LG	COMBI SW OUTPUT 5
33	Y/L	COMBI SW OUTPUT 4
34	W	COMBI SW OUTPUT 3
35	R/L	COMBI SW OUTPUT 2
36	L/O	COMBI SW OUTPUT 1
37	G/O	SHIFT P
38	G/Y	RECEIVER COMM
39	L	CAN-H
40	P	CAN-L

Connector No.	M69
Connector Name	BCM (BODY CONTROL MODULE)
Connector Type	FEA09FB-FHA6-SA



H.S.

Terminal No.	Color of Wire	Signal Name [Specification]
43	W	BACK DOOR SW
44	LG	REAR WIPER STOP POSITION
45	SB	PASSENGER DOOR SW
46	GR/L	REAR RH DOOR SW
47	BR/Y	DRIVER DOOR SW
48	W/G	REAR LH DOOR SW
50	R/W	BK DR LOCK ACT RELAY CONT
51	W	BACK DOOR REQUEST SW
54	LG	REAR WIPER OUTPUT
55	G	REAR DOOR UNLOCK OUTPUT

Connector No.	M70
Connector Name	BCM (BODY CONTROL MODULE)
Connector Type	FEA09FB-FHA6-SA



H.S.

Terminal No.	Color of Wire	Signal Name [Specification]
56	L	INTERIOR ROOM LAMP POWER SUPPLY
57	Y	BAT (FUSE)
59	G	PASSENGER DOOR UNLOCK OUTPUT
60	W/B	TURN SIGNAL LH OUTPUT
61	W/L	TURN SIGNAL RH OUTPUT
63	BR	ROOM LAMP TIMER CONTROL
65	V	ALL DOOR LOCK OUTPUT
66	L/B	DRIVER DOOR UNLOCK OUTPUT
67	B	GROUND
68	L	POWER WINDOW POWER SUPPLY (IGN)
69	P	POWER WINDOW POWER SUPPLY (BAT)
70	Y	BAT (F/L)

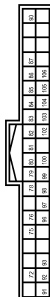
CONNECTOR INFORMATION

< DTC/CIRCUIT DIAGNOSIS >

[POWER SUPPLY & GROUND CIRCUIT]

MAIN HARNESS

Connector No.	M71
Connector Name	BCM (BODY CONTROL MODULE)
Connector Type	TH80FW-NH



Terminal No.	Color of Wire	Signal Name [Specification]
72	SB	A/C INDICATOR OUTPUT
75	SB	DRIVER DOOR REQUEST SW
76	L/O	PUSH SW
78	LG	DRIVER DOOR ANT+
79	V	DRIVER DOOR ANT-
80	BR/Y	PASSENGER DOOR ANT+
81	L/Y	PASSENGER DOOR ANT-
82	W/B	BACK DOOR ANT+
83	B/W	BACK DOOR ANT-
84	Y/G	ROOM ANT+
85	Y/L	ROOM ANT-
86	P	LUGGAGE ROOM ANT+
87	L	LUGGAGE ROOM ANT-
90	W/L	PUSH-BUTTON IGNITION SW ILL POWER
91	Y	ACC.ON IND
92	BR/R	PUSH-BUTTON IGNITION SW ILL GND
93	GR/W	T-KEY WARN BUZZER
96	BR/W	ACC RELAY CONT
97	L/R	STARTER RELAY CONT
98	BR	IGN RELAY (IPDM E/R) CONT
99	W/R	IGN RELAY CONT
100	G	PASSENGER DOOR REQUEST SW
102	G	SHIFT N/P
103	G/Y	FR DEFROSTER SW
104	Y/R	CVT SHIFT SELECTOR POWER SUPPLY
105	B/O	STOP LAMP SW 2
106	Y/B	BLOWER FAN MOTOR RELAY CONT

Connector No.	M72
Connector Name	DIODE
Connector Type	24335 C9800



Terminal No.	Color of Wire	Signal Name [Specification]
1	B/R	-
2	BR/R	-

Connector No.	M73
Connector Name	FAN SWITCH
Connector Type	M08FW-LC



Terminal No.	Color of Wire	Signal Name [Specification]
1	R	-
2	W	-
3	B	-
4	Y	-
5	L	-
6	G/W	-

Connector No.	M74
Connector Name	SUNLOAD SENSOR
Connector Type	A02FW



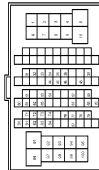
Terminal No.	Color of Wire	Signal Name [Specification]
1	P	SUNLOAD SENSOR SIGNAL
2	R/W	SENSOR GROUND

Connector No.	M75
Connector Name	DONGLE UNIT
Connector Type	NS00FERR-CS



Terminal No.	Color of Wire	Signal Name [Specification]
1	B	-
7	GR/R	-

Connector No.	M77
Connector Name	WIRE TO WIRE
Connector Type	TH80FW-CS16-TM4



Terminal No.	Color of Wire	Signal Name [Specification]
1	B/O	-
2	H	-
3	G/R	-
4	G/B	-
5	L	-
6	L	-
7	W/R	-
8	G/W	-
9	Y/L	-
10	W	-
31	GR/L	-
32	L/B	-
33	R/Y	-
34	SB	-

35	BR	-
36	G	-
39	L/R	-
44	G/O	-
45	LG/R	-
46	GR/W	-
48	L/O	-
51	B/W	-
53	R/L	-
54	O	-
57	GR	-
59	V	-
60	R/W	-
61	PU/W	-
62	W/L	-
63	W/B	-
67	Y/R	-
69	LG	-
70	SHIELD	-
71	P/B	-
72	R/G	-
73	R	-
74	L/Y	-
76	W/G	-
77	GR/R	-
78	O	-
79	LG	-
80	P	-
81	L	-
82	GR	-
83	G/R	-
84	B	-
87	G	-
91	R	-
92	O	-
93	Y	-
94	R/B	-
95	L/W	-
96	Y	-
97	L	-
98	BR/W	-
99	W	-
100	G/R	-

A
B
C
D
E
F
G
H
I
J
K
L
N
O
P

PG

JRMWD4007GB


CONNECTOR INFORMATION

< DTC/CIRCUIT DIAGNOSIS >

[POWER SUPPLY & GROUND CIRCUIT]

MAIN HARNESS

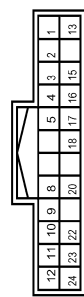
Connector No.	M78
Connector Name	WIRE TO WIRE
Connector Type	LD2ME-MC



H.S.

Terminal No.	Color of Wire	Signal Name [Specification]
1	W	-
2	R	-

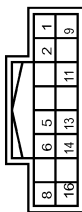
Connector No.	M79
Connector Name	WIRE TO WIRE
Connector Type	TH24FW-NH



H.S.

Terminal No.	Color of Wire	Signal Name [Specification]
1	W/G	-
2	L/Y	-
3	R	-
4	P/B	-
5	W	-
8	SB	-
9	L/G	-
10	GR/B	-
11	G/B	-
12	G/R	-
13	R/G	-
15	R/L	-
16	GR/R	-
17	BR/Y	-
18	PU	-
20	GR/L	-
22	L	-
23	Y/L	-
24	G/W	-

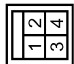
Connector No.	M80
Connector Name	WIRE TO WIRE
Connector Type	TH18FW-NH



H.S.

Terminal No.	Color of Wire	Signal Name [Specification]
1	L/B	-
2	GR/L	-
5	W	-
6	W/L	-
8	BR/Y	-
9	R/Y	-
11	O	-
13	BR/W	-
14	W/B	-
16	W/G	-

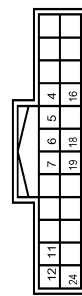
Connector No.	M82
Connector Name	POWER TRANSISTOR
Connector Type	M04FW-LC



H.S.

Terminal No.	Color of Wire	Signal Name [Specification]
1	R	BLOWER MOTOR CONTROL OUTPUT
2	GR/R	POWER TRANSISTOR CONTROL SIGNAL
3	B	GROUND
4	Y	IGNITION POWER SUPPLY

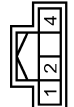
Connector No.	M83
Connector Name	WIRE TO WIRE
Connector Type	TH24FW-NH



H.S.

Terminal No.	Color of Wire	Signal Name [Specification]
4	L	-
5	Y/B	-
6	G/O	-
7	G/R	-
11	W	-
12	W/B	-
16	P	-
18	G/Y	-
19	SHIELD	-
24	B/W	-

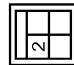
Connector No.	M87
Connector Name	REMOTE KEYLESS ENTRY RECEIVER
Connector Type	TH04FW-NH



H.S.

Terminal No.	Color of Wire	Signal Name [Specification]
1	P	-
2	G/Y	SIGNAL
4	V	GROUND


Connector No.	M89
Connector Name	WIRE TO WIRE
Connector Type	M04FW-LC



H.S.

Terminal No.	Color of Wire	Signal Name [Specification]
2	R	-

Connector No.	M90
Connector Name	BACK DOOR LOCK ACTUATOR RELAY
Connector Type	M030FB-M2-LC



H.S.

Terminal No.	Color of Wire	Signal Name [Specification]
1	R/W	-
2	LG/R	-
3	B/R	-
4	B	-
5	LG/R	-

JRMWD4008GB

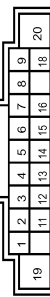
CONNECTOR INFORMATION

< DTC/CIRCUIT DIAGNOSIS >

[POWER SUPPLY & GROUND CIRCUIT]

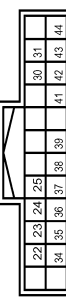
MAIN HARNESS

Connector No.	M87
Connector Name	NAVI CONTROL UNIT
Connector Type	TH18FW-CS2



Terminal No.	Color of Wire	Signal Name [Specification]
1	Y/B	WOOFER AMP. ON SIGNAL
2	W	SOUND SIGNAL FRONT SPEAKER LH (+)
3	P	SOUND SIGNAL FRONT SPEAKER LH (-)
4	V	SOUND SIGNAL REAR SPEAKER LH (+)
5	R/B	SOUND SIGNAL REAR SPEAKER LH (-)
6	W/L	STRG SW A
7	L/Y	ACC
8	B/R	ILLUMINATION CONTROL SIGNAL (-)
9	W	ILLUMINATION CONTROL SIGNAL (+)
11	G	SOUND SIGNAL FRONT SPEAKER RH (+)
12	R	SOUND SIGNAL FRONT SPEAKER RH (-)
13	LG	SOUND SIGNAL REAR SPEAKER RH (+)
14	GR	SOUND SIGNAL REAR SPEAKER RH (-)
15	L/G	STRG SW GND
16	GR/R	STRG SW B
18	Y/R	VEHICLE SPEED SIGNAL (8-PULSE)
19	L	BATTERY
20	B	GROUND

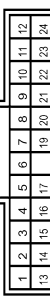
Connector No.	M88
Connector Name	NAVI CONTROL UNIT
Connector Type	TH24FW-NH



Terminal No.	Color of Wire	Signal Name [Specification]
22	B	E02
23	B	E03
24	B	E04
25	Y/R	REVERSE SIGNAL

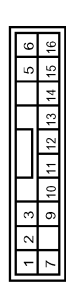
30	P	SOUND SIGNAL WOOFER (+)
31	L	SOUND SIGNAL WOOFER (-)
34	BR	SOUND SIGNAL (-)
35	Y	SOUND SIGNAL (+)
36	B	GROUND
37	SHIELD	SHIELD
38	SB	AV COMM (H)
39	LG	AV COMM (L)
41	G/Y	CAMERA IMAGE SIGNAL
42	SHIELD	SHIELD
43	G/O	CAMERA POWER SUPPLY
44	G/R	CAMERA GND

Connector No.	M89
Connector Name	iPod ADAPTER
Connector Type	TH24FW-NH



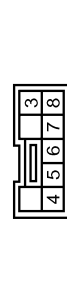
Terminal No.	Color of Wire	Signal Name [Specification]
1	R	iPod SOUND SIGNAL LH (+)
2	B	iPod SOUND SIGNAL LH (-)
3	L/Y	ACC
4	LG	AV COMM (L)
5	L	BATTERY
6	GR	USB D+ SIGNAL
7	LG	USB D- SIGNAL
8	LG	iPod BATTERY CHARGE 12V
9	P	COMM (iPod ADAPTER-iPod)
10	L	COMM (iPod-iPod ADAPTER)
11	O	ACCESSORY IDENTIFY
12	GR	iPod SOUND SIGNAL RH (+)
13	W	iPod SOUND SIGNAL RH (-)
14	G	SHIELD
15	SHIELD	SHIELD
16	SB	AV COMM (H)
17	B	GROUND
19	SHIELD	SHIELD
20	BR	iPod BATTERY CHARGE 5V
21	W/B	iPod CONNECTION RECOGNITION
22	G/O	ACCESSORY DETECT
23	G/Y	iPod SOUND SIGNAL GND
24	G/O	iPod SOUND SIGNAL LH (+)

Connector No.	M100
Connector Name	iPod CONNECTOR
Connector Type	IP18FGY



Terminal No.	Color of Wire	Signal Name [Specification]
1	G/O	iPod SOUND SIGNAL LH (+)
2	G/Y	iPod SOUND SIGNAL GND
3	BR	iPod BATTERY CHARGE 5V
5	L	COMM (iPod-iPod ADAPTER)
6	P	COMM (iPod ADAPTER-iPod)
7	G/R	iPod SOUND SIGNAL RH (+)
9	W/B	iPod CONNECTION RECOGNITION
10	B	GROUND
11	GR	USB D+ SIGNAL
12	LG	iPod BATTERY CHARGE 12V
13	LG	USB D- SIGNAL
14	SHIELD	SHIELD
15	G/O	ACCESSORY DETECT
16	O	ACCESSORY IDENTIFY

Connector No.	M101
Connector Name	PUSH-BUTTON IGNITION SWITCH
Connector Type	TK08FBR



Terminal No.	Color of Wire	Signal Name [Specification]
3	P	-
4	B	-
5	W/L	-
6	BR/R	-
7	Y	-
8	L/O	-

Connector No.	M102
Connector Name	HEATED SEAT SWITCH LH
Connector Type	NS06FW-CS



Terminal No.	Color of Wire	Signal Name [Specification]
1	G	-
2	W	-
3	O	-
4	B	-
5	W	-
6	B/R	-

Connector No.	M103
Connector Name	HEATED SEAT SWITCH RH
Connector Type	NS06FBR-CS



Terminal No.	Color of Wire	Signal Name [Specification]
1	G	-
2	SB	-
3	GR	-
4	B	-
5	W	-
6	B/R	-

A
B
C
D
E
F
G
H
I
J
K
L
PG
N
O
P

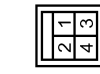
CONNECTOR INFORMATION

< DTC/CIRCUIT DIAGNOSIS >

[POWER SUPPLY & GROUND CIRCUIT]

MAIN HARNESS

Connector No.	M104
Connector Name	WIRE TO WIRE
Connector Type	MD4FW-LC



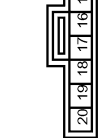
Terminal No.	Color of Wire	Signal Name [Specification]
1	R	-
2	W	-
3	L	-
4	Y	-

Connector No.	M105
Connector Name	INSIDE KEY ANTENNA (INSTRUMENT CENTER)
Connector Type	RK02FL



Terminal No.	Color of Wire	Signal Name [Specification]
1	Y/G	-
2	Y/L	-

Connector No.	M302
Connector Name	COMBINATION SWITCH (SPIRAL CABLE)
Connector Type	TK08FGY



Terminal No.	Color of Wire	Signal Name [Specification]
-	-	-

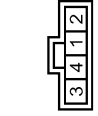
13	R	-
14	Y	-
15	P	-
16	B	-
17	W	-
18	G	-
19	P	-
20	R	-

Connector No.	M305
Connector Name	WIRE TO WIRE
Connector Type	MD4MW



Terminal No.	Color of Wire	Signal Name [Specification]
1	G	-
2	Y	-
3	R	-
4	L	-

Connector No.	M306
Connector Name	BLOWER FAN RESISTOR
Connector Type	TMD4FW-TV



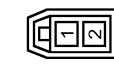
Terminal No.	Color of Wire	Signal Name [Specification]
1	G	-
2	Y	-
3	R	-
4	L	-

Connector No.	M308
Connector Name	WIRE TO WIRE
Connector Type	GT13SCN-1, LPP-HU



Terminal No.	Color of Wire	Signal Name [Specification]
1	-	-
2	-	-

Connector No.	M309
Connector Name	WIRE TO WIRE
Connector Type	GT13SC-1, S-HU



Terminal No.	Color of Wire	Signal Name [Specification]
1	-	-
2	-	-

Connector No.	M310
Connector Name	ANTENNA BASE
Connector Type	GT13SSN-1, LPP-HU



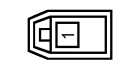
Terminal No.	Color of Wire	Signal Name [Specification]
1	-	ANTENNA AMP-ON SIGNAL
2	-	AM-FM MAIN

Connector No.	M311
Connector Name	WIRE TO WIRE
Connector Type	GT16C-1PP-HU



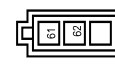
Terminal No.	Color of Wire	Signal Name [Specification]
1	-	-

Connector No.	M312
Connector Name	WIRE TO WIRE
Connector Type	GT16C-1S-HU



Terminal No.	Color of Wire	Signal Name [Specification]
1	-	-

Connector No.	M313
Connector Name	AUDIO UNIT
Connector Type	GT13SH-2, IS-HU



Terminal No.	Color of Wire	Signal Name [Specification]
61	-	ANTENNA AMP-ON SIGNAL
62	-	AM-FM MAIN

JRMWD4010GB

CONNECTOR INFORMATION

[POWER SUPPLY & GROUND CIRCUIT]

< DTC/CIRCUIT DIAGNOSIS >

MAIN HARNESS

Connector No.	M314
Connector Name	NAVI CONTROL UNIT
Connector Type	GTUSH-2 IS-HU



Terminal No.	Color of Wire	Signal Name [Specification]
70	-	ANTENNA AMP. ON SIGNAL
71	-	AM-FM MAIN



Connector No.	M315
Connector Name	NAVI CONTROL UNIT
Connector Type	FARRA PLUG

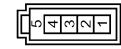
Terminal No.	Color of Wire	Signal Name [Specification]
73	-	SATELLITE RADIO ANTENNA SIGNAL

Connector No.	M316
Connector Name	NAVI CONTROL UNIT
Connector Type	FARRA



Terminal No.	Color of Wire	Signal Name [Specification]
54	-	GPS ANTENNA SIGNAL
55	-	SHIELD

Connector No.	M317
Connector Name	USE CONNECTOR AND AUX. JACK
Connector Type	GT17H-4S-HU



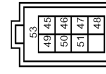
Terminal No.	Color of Wire	Signal Name [Specification]
1	G	USB GND
2	R	USB D-
3	L	USB D+
4	W	V BUS
5	SHIELD	SHIELD

Connector No.	M318
Connector Name	USE CONNECTOR AND AUX. JACK
Connector Type	TR04FW



Terminal No.	Color of Wire	Signal Name [Specification]
6	G	AUDIO R
7	R	AUDIO GND
9	W	AUDIO L

Connector No.	M319
Connector Name	NAVI CONTROL UNIT
Connector Type	GT17S-8DS-HU



Terminal No.	Color of Wire	Signal Name [Specification]
45	G	USB GND
46	R	USB D-
47	L	USB D+
48	W	V BUS
49	W	AUX SOUND SIGNAL LH (+)
50	G	AUX SOUND SIGNAL RH (+)
51	R	AUX SOUND SIGNAL GND
53	SHIELD	SHIELD

Connector No.	M320
Connector Name	ANTENNA BASE
Connector Type	GT18C-1PP-HU



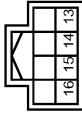
Terminal No.	Color of Wire	Signal Name [Specification]
4	-	SATELLITE ANTENNA

Connector No.	M325
Connector Name	PARK POSITION SWITCH
Connector Type	TR02FW



Terminal No.	Color of Wire	Signal Name [Specification]
1	-	-
2	-	-

Connector No.	M327
Connector Name	EPS CONTROL UNIT
Connector Type	TT08FGY



Terminal No.	Color of Wire	Signal Name [Specification]
13	-	TORQUE SENSOR POWER SUPPLY
14	-	TORQUE SENSOR SUB
15	-	TORQUE SENSOR GND
16	-	TORQUE SENSOR MAIN

Connector No.	M328
Connector Name	EPS CONTROL UNIT
Connector Type	LD2FL



Terminal No.	Color of Wire	Signal Name [Specification]
19	-	MOTOR (+)
20	-	MOTOR (-)

JRMWD4011GB

A
B
C
D
E
F
G
H
I
J
K
L
PG
N
O
P

CONNECTOR INFORMATION

< DTC/CIRCUIT DIAGNOSIS >

[POWER SUPPLY & GROUND CIRCUIT]

MAIN HARNESS

Connector No.	M350
Connector Name	DRIVER AIR BAG MODULE
Connector Type	ACAPFT-2V



Terminal No.	Color of Wire	Signal Name [Specification]
10	--	--
11	--	--

Connector No.	M351
Connector Name	DRIVER AIR BAG MODULE
Connector Type	ACAPFOR



Terminal No.	Color of Wire	Signal Name [Specification]
9	--	--
12	--	--

JRMWD4012GB

CONNECTOR INFORMATION

[POWER SUPPLY & GROUND CIRCUIT]

< DTC/CIRCUIT DIAGNOSIS >

R Room Lamp Harness

INFOID:000000008449547

ROOM LAMP HARNESS

Connector No.	R1
Connector Name	WIRE TO WIRE
Connector Type	MS16FW-CS



Terminal No.	Color of Wire	Signal Name [Specification]
6	Y	-
7	L	-
8	Y	-
9	BR	-
10	B	-
16	G	-

Connector No.	R3
Connector Name	WIRE TO WIRE
Connector Type	TH0AMW-NH



Terminal No.	Color of Wire	Signal Name [Specification]
1	L	-
2	G	-
4	Y	-

Connector No.	R4
Connector Name	MAP LAMP
Connector Type	GA08FW



Terminal No.	Color of Wire	Signal Name [Specification]
2	LG	-
3	B	-
4	Y	-

Connector No.	R6
Connector Name	ROOM LAMP
Connector Type	G02FW



Terminal No.	Color of Wire	Signal Name [Specification]
1	Y	-
2	BR	-

Connector No.	R20
Connector Name	WIRE TO WIRE
Connector Type	TR04FW-NH



Terminal No.	Color of Wire	Signal Name [Specification]
1	L	-

2	SHIELD	-
4	R	-

Connector No.	R21
Connector Name	MICROPHONE
Connector Type	TK04FW



Terminal No.	Color of Wire	Signal Name [Specification]
1	L	MICROPHONE SIGNAL
2	SHIELD	MICROPHONE GND
4	R	MICROPHONE VCC

A
B
C
D
E
F
G
H
I
J
K
L
N
O
P

PG

JRMWD4013GB

CONNECTOR INFORMATION

[POWER SUPPLY & GROUND CIRCUIT]

< DTC/CIRCUIT DIAGNOSIS >

T Tail Harness

INFOID:000000008449548

TAIL HARNESS

Connector No.	T2
Connector Name	LICENSE PLATE LAMP LH
Connector Type	RG02FBR



Terminal No.	Color of Wire	Signal Name [Specification]
1	GR	-
2	B	-

Connector No.	T3
Connector Name	LICENSE PLATE LAMP RH
Connector Type	RG02FBR



Terminal No.	Color of Wire	Signal Name [Specification]
1	GR	-
2	B	-

Connector No.	T4
Connector Name	SIDE MARKER LAMP LH
Connector Type	HS02FG-W



Terminal No.	Color of Wire	Signal Name [Specification]
1	GR	-
2	B	-

Connector No.	T5
Connector Name	SIDE MARKER LAMP RH
Connector Type	HS02FG-W



Terminal No.	Color of Wire	Signal Name [Specification]
1	GR	-
2	B	-

Connector No.	T6
Connector Name	WIRE TO WIRE
Connector Type	FR04MB



Terminal No.	Color of Wire	Signal Name [Specification]
2	B	-
4	GR	-

JRMWD4014GB

HARNESS CONNECTOR

< DTC/CIRCUIT DIAGNOSIS >

[POWER SUPPLY & GROUND CIRCUIT]

HARNESS CONNECTOR

Description

INFOID:000000008449549

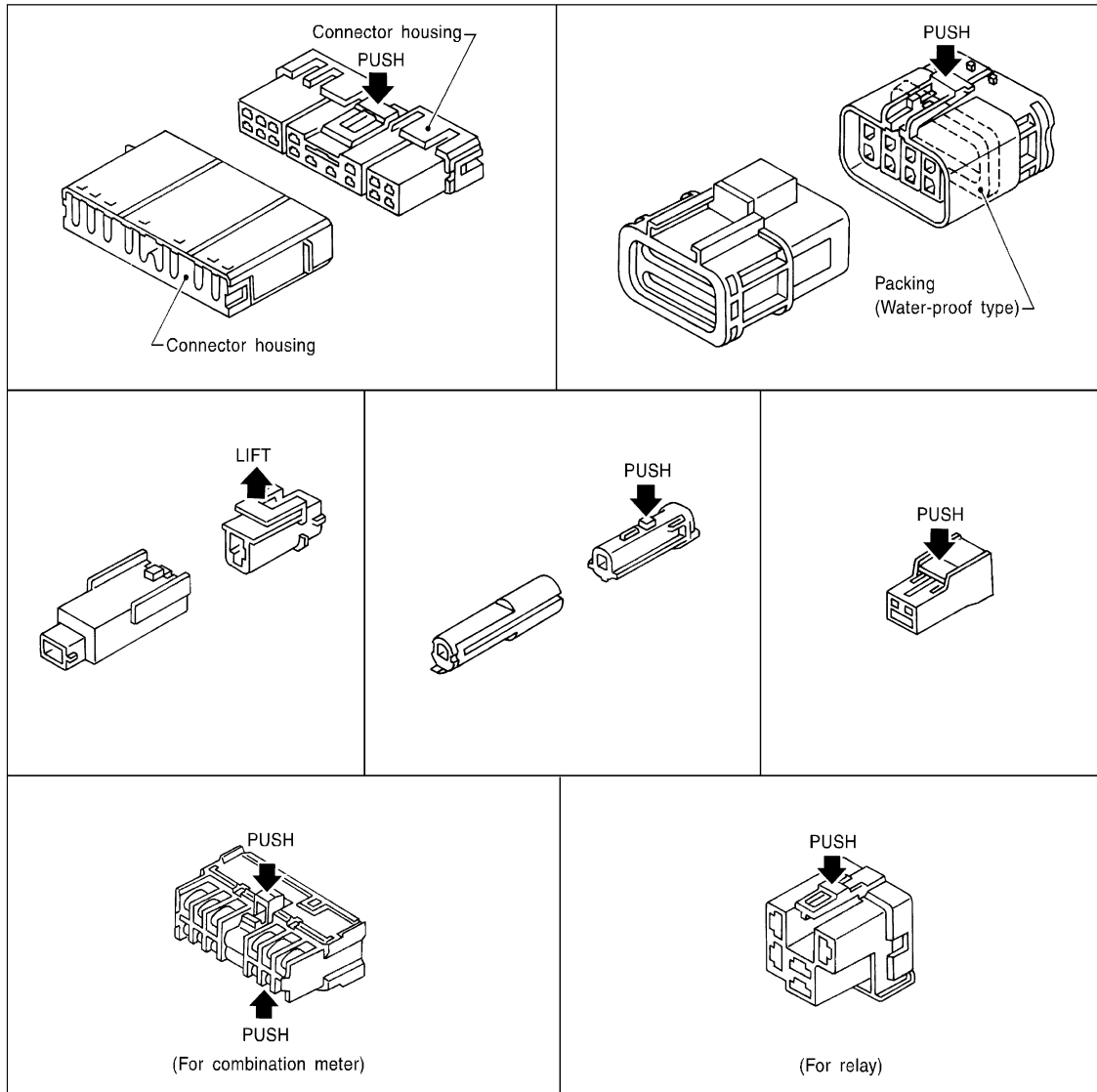
HARNESS CONNECTOR (TAB-LOCKING TYPE)

- The tab-locking type connectors help prevent accidental looseness or disconnection.
- The tab-locking type connectors are disconnected by pushing or lifting the locking tab(s). Refer to the figure below.

CAUTION:

Never pull the harness or wires when disconnecting the connector.

[Example]



SEL769DA

HARNESS CONNECTOR (SLIDE-LOCKING TYPE)

- A new style slide-locking type connector is used on certain systems and components, especially those related to OBD.
- The slide-locking type connectors help prevent incomplete locking and accidental looseness or disconnection.
- The slide-locking type connectors are disconnected by pushing or pulling the slider. Refer to the figure below.

A
B
C
D
E
F
G
H
I
J
K
L
PG
N
O
P

HARNESS CONNECTOR

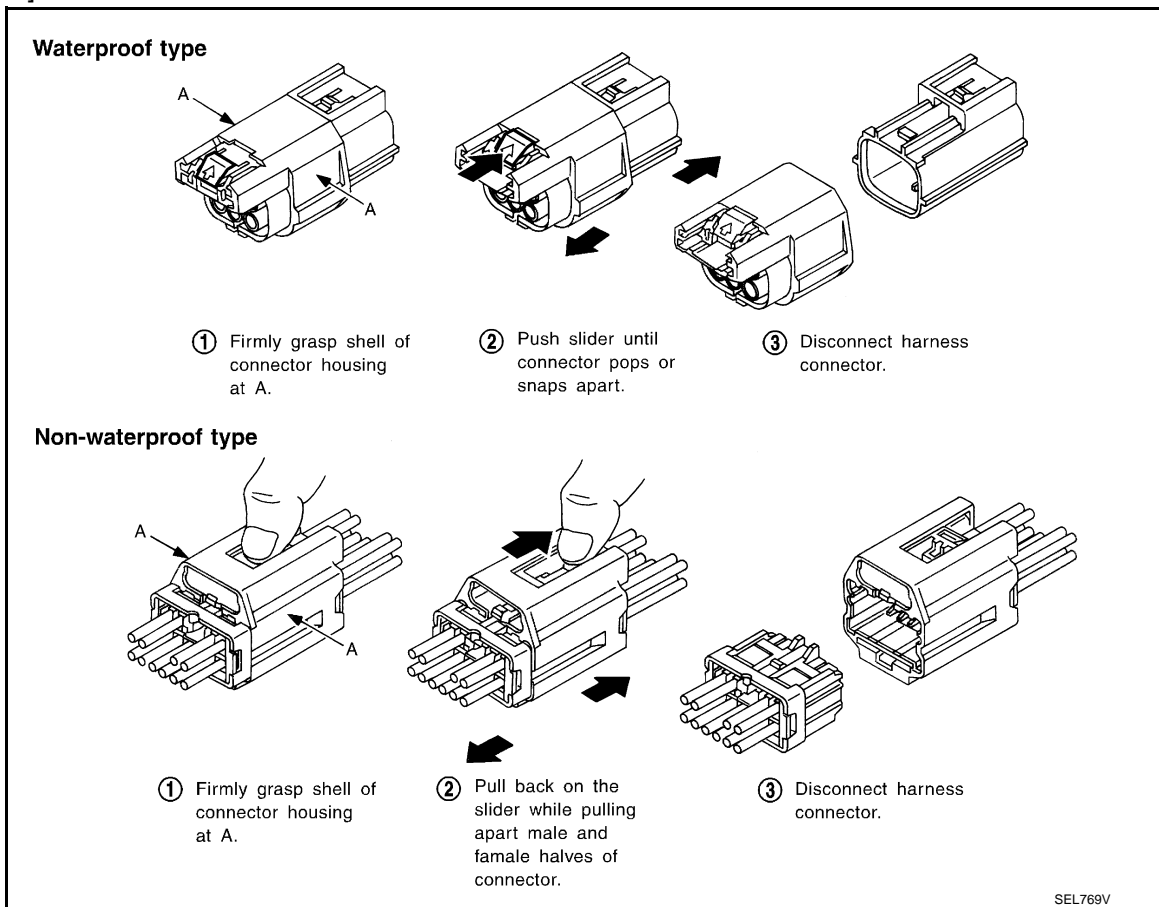
< DTC/CIRCUIT DIAGNOSIS >

[POWER SUPPLY & GROUND CIRCUIT]

CAUTION:

- Never pull the harness or wires when disconnecting the connector.
- Be careful not to damage the connector support bracket when disconnecting the connector.

[Example]



HARNESS CONNECTOR (LEVER LOCKING TYPE)

- Lever locking type harness connectors are used on certain control units and control modules such as ECM, ABS actuator and electric unit (control unit), etc.
- Lever locking type harness connectors are also used on super multiple junction (SMJ) connectors.
- Always confirm the lever is fully locked in place by moving the lever as far as it will go to ensure full connection.

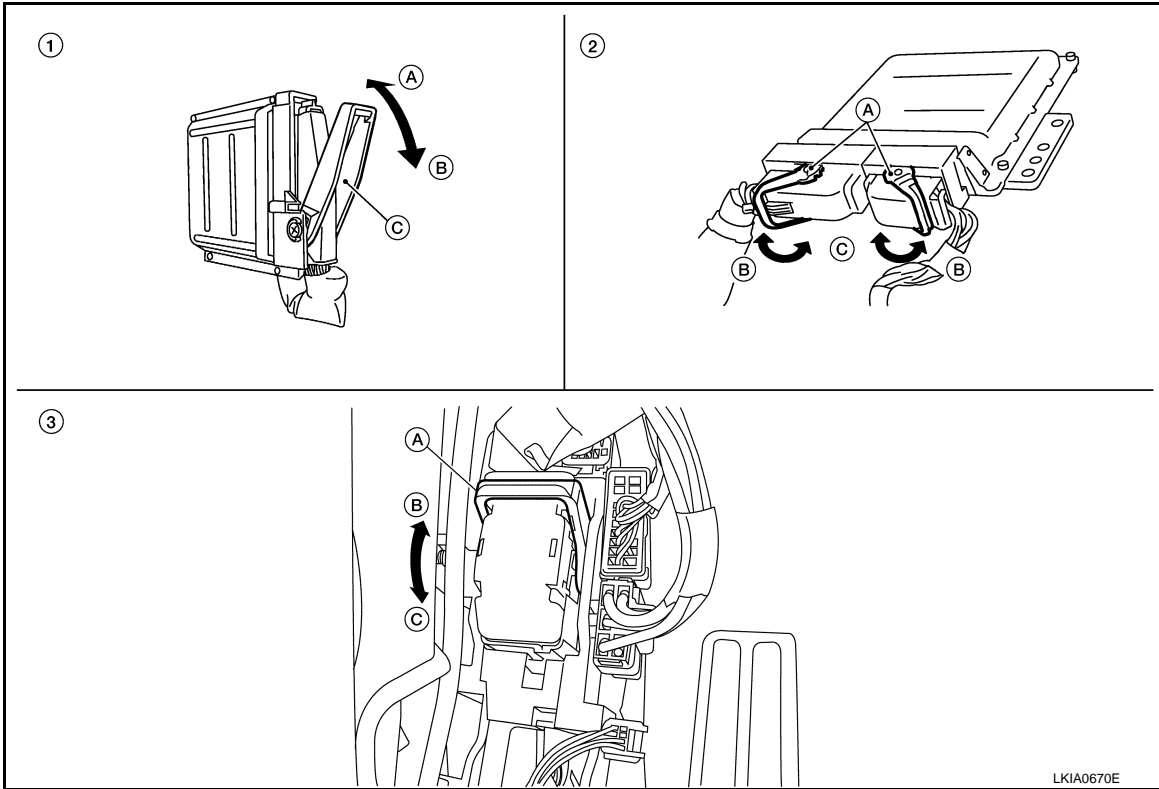
CAUTION:

HARNESS CONNECTOR

< DTC/CIRCUIT DIAGNOSIS >

[POWER SUPPLY & GROUND CIRCUIT]

Always confirm the lever is fully released (loosened) before attempting to disconnect or connect these connectors to avoid damage to the connector housing or terminals.



1. Control unit with single lever
A. Fasten
B. Loosen
C. Lever

2. Control unit with dual levers
A. Levers
B. Fasten
C. Loosen

3. SMJ connector
A. Lever
B. Fasten
C. Loosen

A
B
C
D
E
F
G
H
I
J
K
L
N
O
P

PG

STANDARDIZED RELAY

< DTC/CIRCUIT DIAGNOSIS >

[POWER SUPPLY & GROUND CIRCUIT]

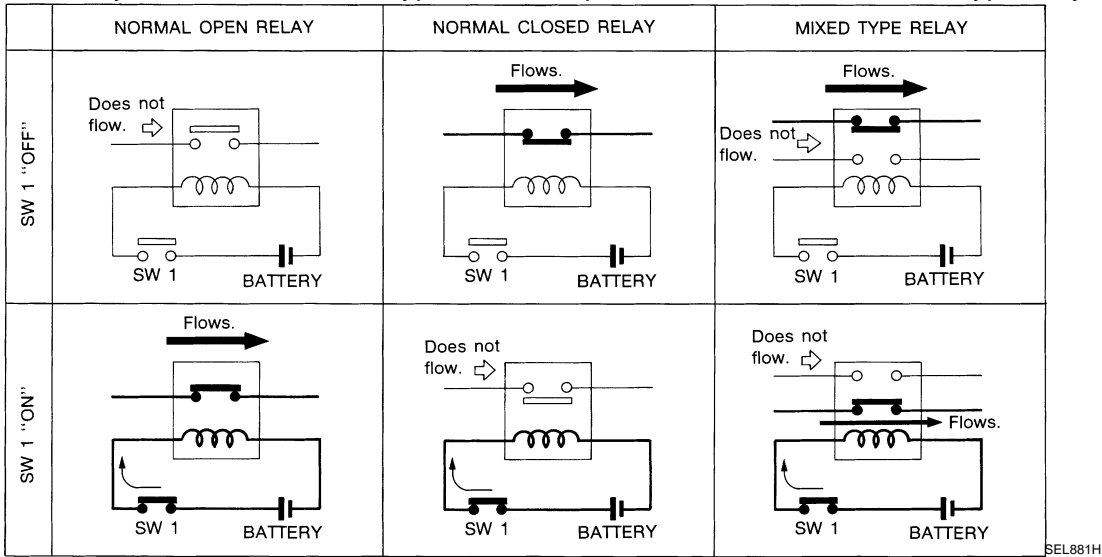
STANDARDIZED RELAY

Description

INFOID:000000008449550

NORMAL OPEN, NORMAL CLOSED AND MIXED TYPE RELAYS

Relays can mainly be divided into three types: normal open, normal closed and mixed type relays.



SEL881H

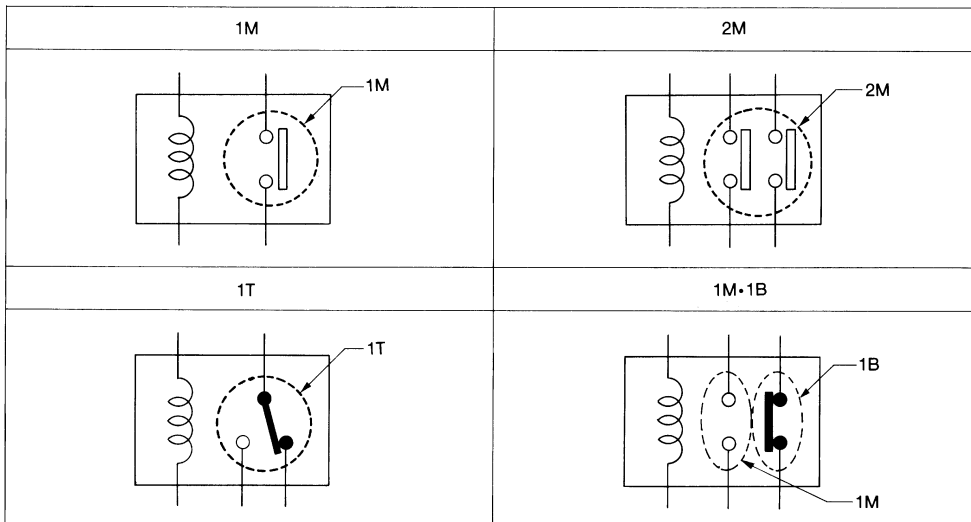
TYPE OF STANDARDIZED RELAYS

1M 1 Make

2M 2 Make

1T 1 Transfer

1M-1B 1 Make 1 Break

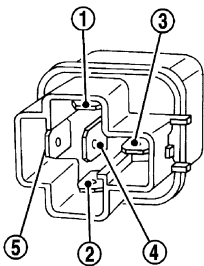
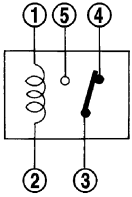
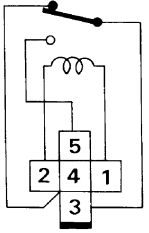
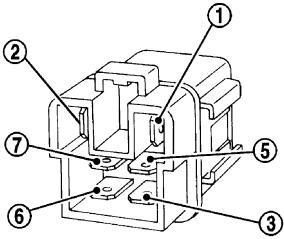
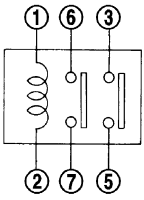
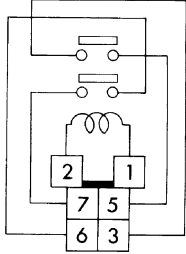
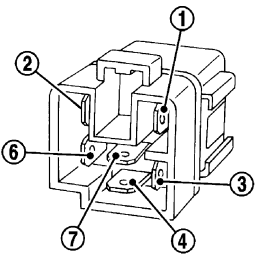
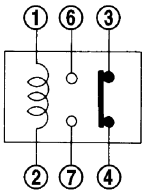
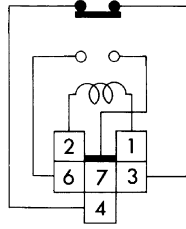
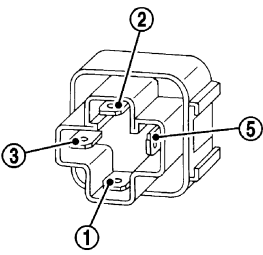
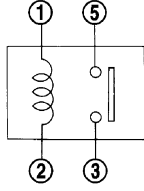
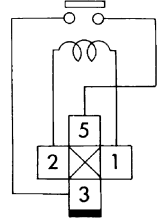
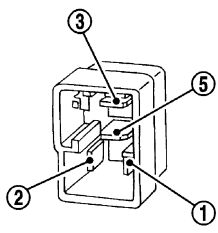
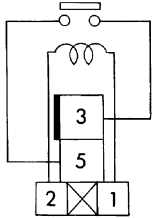


SEL882H

STANDARDIZED RELAY

< DTC/CIRCUIT DIAGNOSIS >

[POWER SUPPLY & GROUND CIRCUIT]

Type	Outer view	Circuit	Connector symbol and connection	Case color
1T				BLACK
2M				BROWN
1M•1B				GRAY
1M				BLUE
				

The arrangement of terminal numbers on the actual relays may differ from those shown above.

SEL188W

A
B
C
D
E
F
G
H
I
J
K
L
PG
N
O
P

FUSE BLOCK - JUNCTION BOX (J/B)

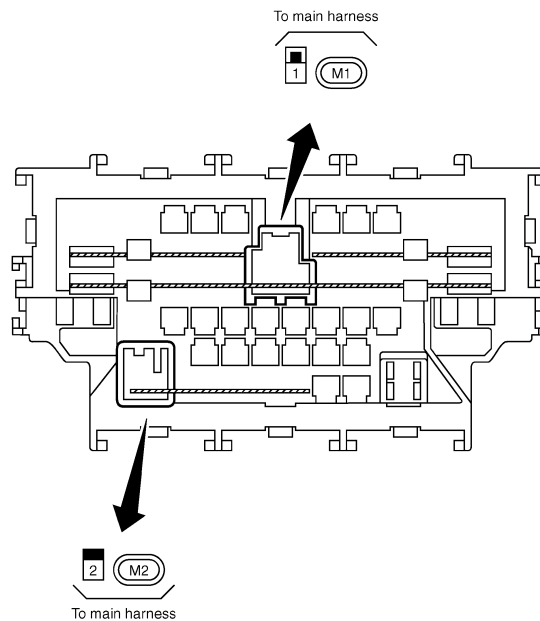
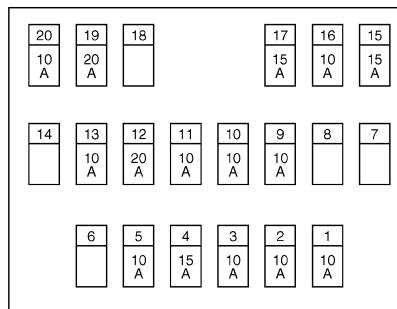
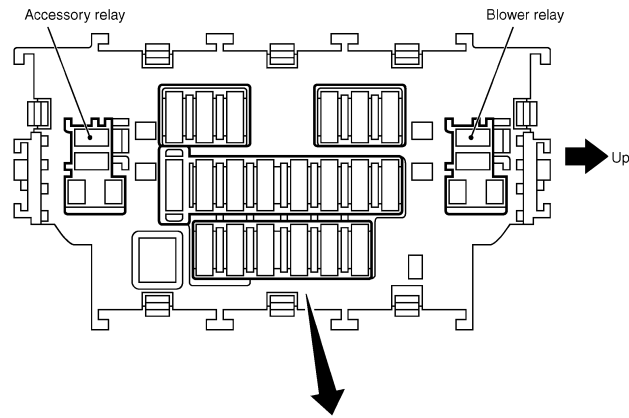
< DTC/CIRCUIT DIAGNOSIS >

[POWER SUPPLY & GROUND CIRCUIT]

FUSE BLOCK - JUNCTION BOX (J/B)

Fuse, Connector and Terminal Arrangement

INFOID:000000008449551



2012/07/30

JRMWD3951GB

FUSE, FUSIBLE LINK AND RELAY BOX

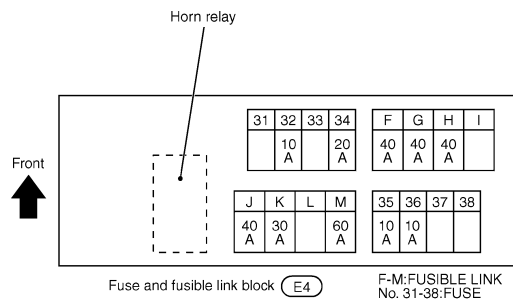
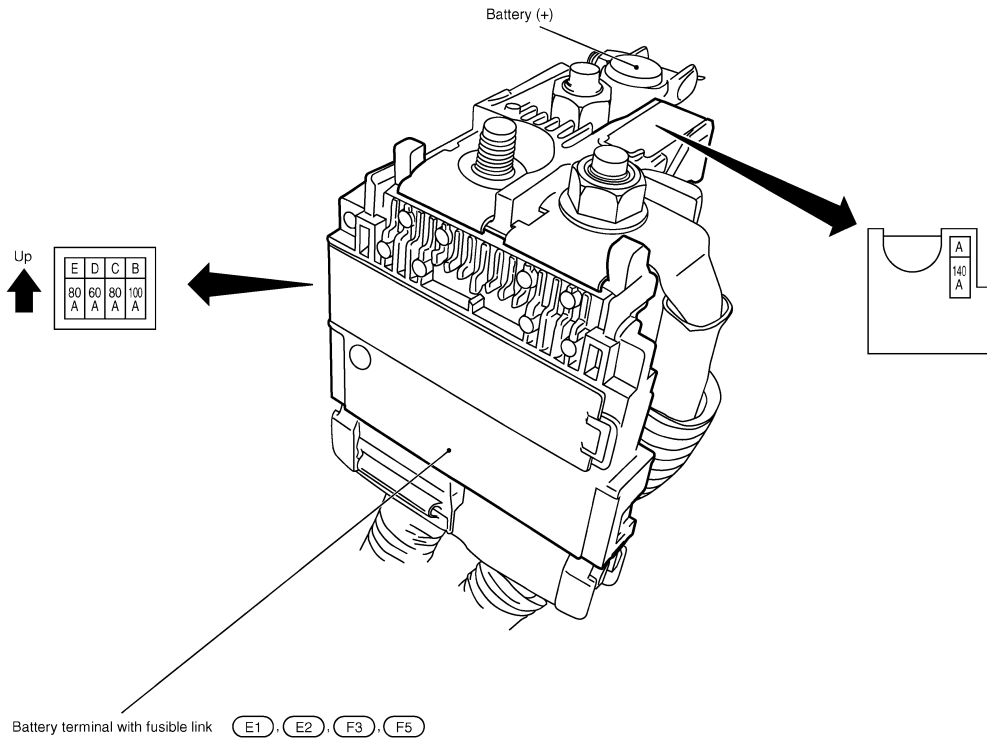
< DTC/CIRCUIT DIAGNOSIS >

[POWER SUPPLY & GROUND CIRCUIT]

FUSE, FUSIBLE LINK AND RELAY BOX

Fuse and Fusible Link Arrangement

INFOID:000000008449552



2009/02/27

JCMWM4162GB

A
B
C
D
E
F
G
H
I
J
K
L
PG
N
O
P

IPDM E/R (INTELLIGENT POWER DISTRIBUTION MODULE ENGINE ROOM)

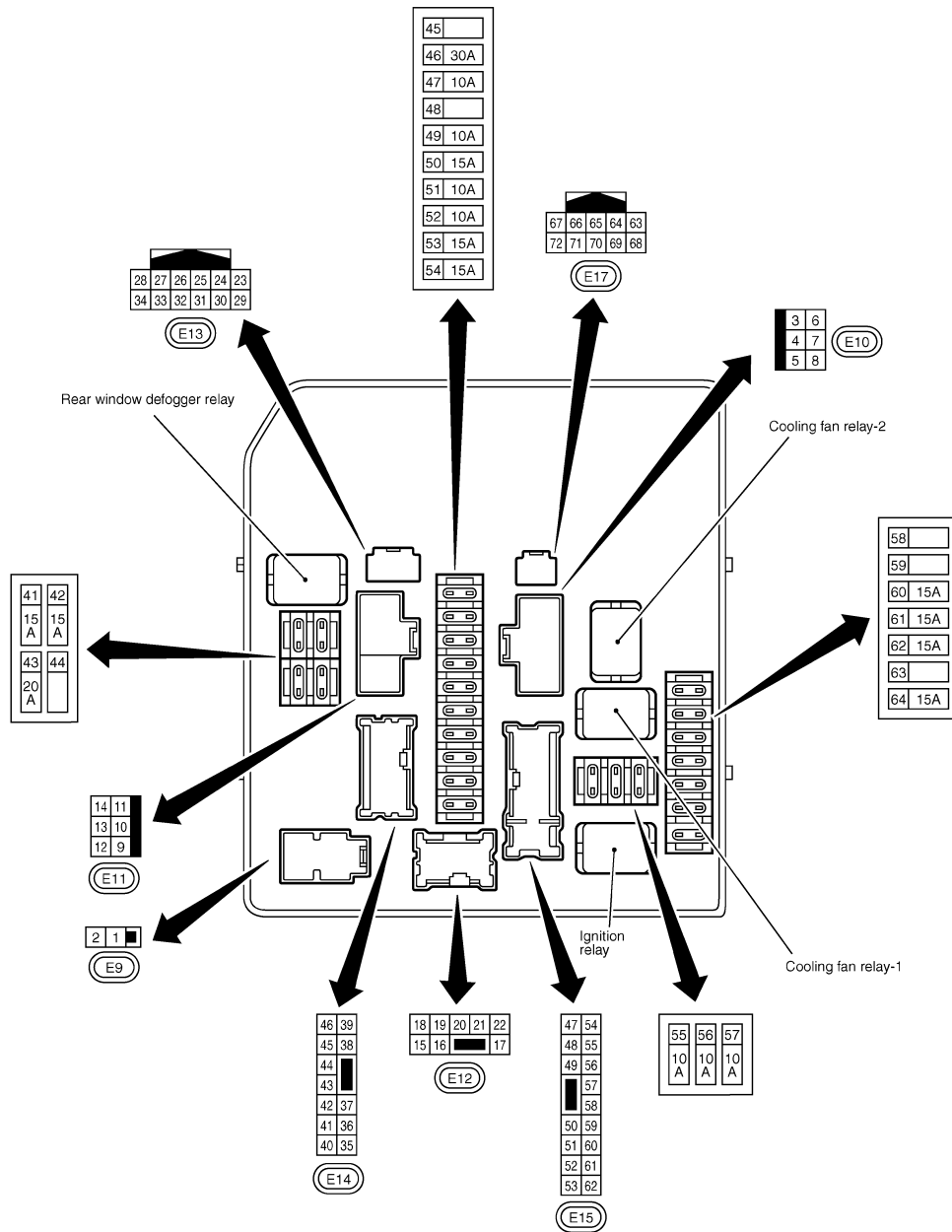
< DTC/CIRCUIT DIAGNOSIS >

[POWER SUPPLY & GROUND CIRCUIT]

IPDM E/R (INTELLIGENT POWER DISTRIBUTION MODULE ENGINE ROOM)

Fuse, Connector and Terminal Arrangement

INFOID:000000008449553



To engine room harness

2010/10/14

JCMWN0463GB

PRECAUTION

PRECAUTIONS

Precaution for Supplemental Restraint System (SRS) "AIR BAG" and "SEAT BELT PRE-TENSIONER"

INFOID:000000008449554

The Supplemental Restraint System such as "AIR BAG" and "SEAT BELT PRE-TENSIONER", used along with a front seat belt, helps to reduce the risk or severity of injury to the driver and front passenger for certain types of collision. This system includes seat belt switch inputs and dual stage front air bag modules. The SRS system uses the seat belt switches to determine the front air bag deployment, and may only deploy one front air bag, depending on the severity of a collision and whether the front occupants are belted or unbelted. Information necessary to service the system safely is included in the "SRS AIR BAG" and "SEAT BELT" of this Service Manual.

WARNING:

Always observe the following items for preventing accidental activation.

- To avoid rendering the SRS inoperative, which could increase the risk of personal injury or death in the event of a collision that would result in air bag inflation, all maintenance must be performed by an authorized NISSAN/INFINITI dealer.
- Improper maintenance, including incorrect removal and installation of the SRS, can lead to personal injury caused by unintentional activation of the system. For removal of Spiral Cable and Air Bag Module, see "SRS AIR BAG".
- Never use electrical test equipment on any circuit related to the SRS unless instructed to in this Service Manual. SRS wiring harnesses can be identified by yellow and/or orange harnesses or harness connectors.

PRECAUTIONS WHEN USING POWER TOOLS (AIR OR ELECTRIC) AND HAMMERS

WARNING:

Always observe the following items for preventing accidental activation.

- When working near the Air Bag Diagnosis Sensor Unit or other Air Bag System sensors with the ignition ON or engine running, never use air or electric power tools or strike near the sensor(s) with a hammer. Heavy vibration could activate the sensor(s) and deploy the air bag(s), possibly causing serious injury.
- When using air or electric power tools or hammers, always switch the ignition OFF, disconnect the battery, and wait at least 3 minutes before performing any service.

A
B
C
D
E
F
G
H
I
J
K
L

PG

PREPARATION

[POWER SUPPLY & GROUND CIRCUIT]

< PREPARATION >

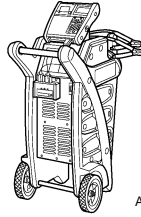
PREPARATION

PREPARATION

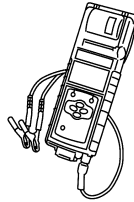
Special Service Tools

INFOID:000000008449555

Tool number (Kent-Moore No.) Tool name	Description
— (→) Model GR8-1200 NI Multitasking battery and electrical diagnostic station	Tests batteries, starting and charging systems and charges batteries. For operating instructions, refer to diagnostic station instruction manual.
— (→) Model EXP-800 NI Battery and electrical diagnostic analyzer	Tests batteries and charging systems. For operating instructions, refer to diagnostic analyzer instruction manual.



AWI1A1239ZZ



JSMIA0806ZZ

BATTERY

< REMOVAL AND INSTALLATION >

[POWER SUPPLY & GROUND CIRCUIT]

REMOVAL AND INSTALLATION

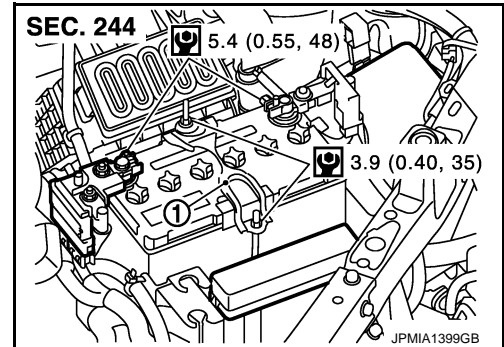
BATTERY

Exploded View

INFOID:000000008449556

1 : Battery fix frame

Refer to [GI-4, "Components"](#) for symbols in the figure.



Removal and Installation

INFOID:000000008449557

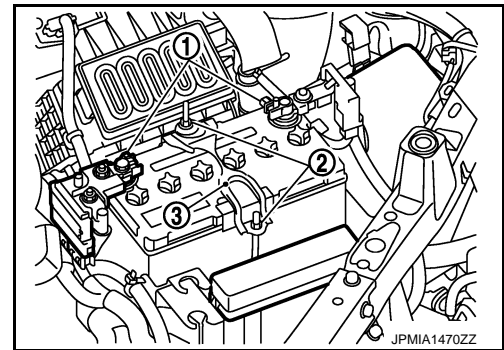
REMOVAL

1. Remove resonator.
2. Remove cover of battery positive terminal.
3. Loosen battery terminal nuts (1), and disconnect both battery cables from battery terminals.

CAUTION:

When disconnecting, disconnect the battery cable from the negative terminal first.

4. Remove battery fix frame mounting nuts (2) and battery fix frame (3).
5. Remove battery.



INSTALLATION

Install in the reverse order of removal.

CAUTION:

When connecting, connect the battery cable to the positive terminal first.

Reset electronic systems as necessary. Refer to [GI-52, "ADDITIONAL SERVICE WHEN REMOVING BATTERY NEGATIVE TERMINAL : Required Procedure After Battery Disconnection"](#).

A
B
C
D
E
F
G
H
I
J
K
L
N
O
P

PG

BATTERY TERMINAL WITH FUSIBLE LINK

< REMOVAL AND INSTALLATION >

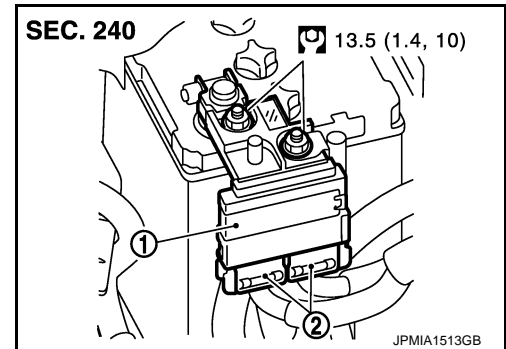
[POWER SUPPLY & GROUND CIRCUIT]

BATTERY TERMINAL WITH FUSIBLE LINK

Exploded View

INFOID:000000008449558

- 1 : Battery terminal with fusible link
 - 2 : Harness connector
- Refer to [Gl-4, "Components"](#) for symbols in the figure.

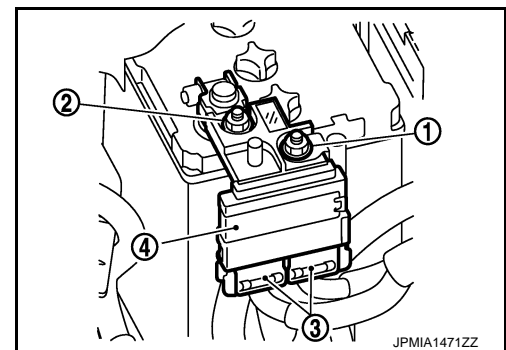


Removal and Installation

INFOID:000000008449559

REMOVAL

1. Disconnect the battery cable from the negative terminal.
2. Remove cover of battery positive terminal.
3. Remove harness mounting nut (1) and fusible link holder mounting nut (2).
4. Disconnect harness connector (3) and remove battery terminal with fusible link (4).



INSTALLATION

Install in the reverse order of removal.

SERVICE DATA AND SPECIFICATIONS (SDS)

< SERVICE DATA AND SPECIFICATIONS (SDS)

[POWER SUPPLY & GROUND CIRCUIT]

SERVICE DATA AND SPECIFICATIONS (SDS)

SERVICE DATA AND SPECIFICATIONS (SDS)

Battery

INFOID:000000008449560

Type		55D23L
20 hour rate capacity	[V - Ah]	12 - 60
Cold cranking current (For reference value)	[A]	356

A

B

C

D

E

F

G

H

I

J

K

L

PG

N

O

P