

# SECTION **HA**

## HEATER & AIR CONDITIONING SYSTEM

A  
B  
C  
D  
E  
F  
G  
H  
HA  
J  
K  
L  
M  
N  
O  
P

### CONTENTS

<b>BASIC INSPECTION</b> .....	Commercial Service Tool .....	3			
	Sealant or/and Lubricant .....	23			
<b>DIAGNOSIS AND REPAIR WORKFLOW</b> .....	<b>PERIODIC MAINTENANCE</b> .....	3		24	
Work Flow .....	<b>REFRIGERANT</b> .....	3		24	
<b>SYSTEM DESCRIPTION</b> .....	Collection and Charge .....	4		24	
<b>REFRIGERATION SYSTEM</b> .....	<b>LUBRICANT</b> .....	4		28	
System Diagram .....	Maintenance of Lubricant Quantity .....	4		28	
System Description .....	Lubricant Adjusting Procedure for Components	4		28	
Component Parts Location .....	Replacement Except Compressor .....	5		28	
Component Description .....	Lubricant Adjusting Procedure for Compressor	6		29	
<b>SYMPTOM DIAGNOSIS</b> .....	Replacement .....	7		29	
<b>REFRIGERATION SYSTEM SYMPTOMS</b> .....	<b>REFRIGERATION SYSTEM</b> .....	7		31	
Trouble Diagnosis For Unusual Pressure .....	Inspection .....	7		31	
Symptom Table .....	Performance Chart .....	7		31	
<b>PRECAUTION</b> .....	Refrigerant Leakages .....	10		32	
<b>PRECAUTIONS</b> .....	<b>FLUORESCENT LEAK DETECTOR</b> .....	10		33	
Precaution for Supplemental Restraint System	Inspection .....			33	
(SRS) "AIR BAG" and "SEAT BELT PRE-TEN-	<b>ELECTRICAL LEAK DETECTOR</b> .....			34	
SIONER" .....	Inspection .....			34	
Precautions Necessary for Steering Wheel Rota-	<b>REMOVAL AND INSTALLATION</b> .....			37	
tion After Battery Disconnection .....	<b>COMPRESSOR</b> .....			37	
Precaution for Procedure without Cowl Top Cover...	Exploded View .....			37	
Working with HFC-134a (R-134a) .....	<b>COMPRESSOR</b> .....			37	
General Refrigerant Precaution .....	COMPRESSOR : Removal and Installation .....			37	
Refrigerant Connection .....	<b>MAGNET CLUTCH</b> .....			39	
Service Equipment .....	MAGNET CLUTCH : Removal and Installation of			39	
<b>COMPRESSOR</b> .....	Compressor Clutch .....			39	
General Precautions .....	Inspection .....			39	
<b>LEAK DETECTION DYE</b> .....	<b>COOLER PIPE AND HOSE</b> .....			41	
General Precautions .....	Exploded View .....			41	
<b>PREPARATION</b> .....	<b>LOW-PRESSURE FLEXIBLE HOSE</b> .....			41	
<b>PREPARATION</b> .....					
Special Service Tool .....					

LOW-PRESSURE FLEXIBLE HOSE : Removal and Installation .....	41	<b>LIQUID TANK</b> .....	<b>50</b>
		LIQUID TANK : Removal and Installation .....	50
<b>HIGH-PRESSURE FLEXIBLE HOSE</b> .....	<b>42</b>	<b>HEATER &amp; COOLING UNIT ASSEMBLY</b> .....	<b>51</b>
HIGH-PRESSURE FLEXIBLE HOSE : Removal and Installation .....	42	Exploded View .....	51
<b>HIGH-PRESSURE PIPE 1</b> .....	<b>43</b>	<b>HEATER &amp; COOLING UNIT ASSEMBLY</b> .....	<b>53</b>
HIGH-PRESSURE PIPE 1 : Removal and Installation .....	43	HEATER & COOLING UNIT ASSEMBLY : Removal and Installation .....	53
<b>LOW-PRESSURE PIPE 2</b> .....	<b>44</b>	<b>HEATER CORE</b> .....	<b>55</b>
LOW-PRESSURE PIPE 2 : Removal and Installation .....	45	HEATER CORE : Removal and Installation .....	55
<b>LOW-PRESSURE PIPE 1 AND HIGH-PRESSURE PIPE 2</b> .....	<b>45</b>	<b>EVAPORATOR</b> .....	<b>55</b>
LOW-PRESSURE PIPE 1 AND HIGH-PRESSURE PIPE 2 : Removal and Installation .....	45	EVAPORATOR : Removal and Installation .....	55
<b>CONDENSER</b> .....	<b>48</b>	<b>EXPANSION VALVE</b> .....	<b>56</b>
Exploded View .....	48	EXPANSION VALVE : Removal and Installation ...	56
<b>CONDENSER</b> .....	<b>48</b>	<b>SERVICE DATA AND SPECIFICATIONS (SDS)</b> .....	<b>57</b>
CONDENSER : Removal and Installation .....	48	<b>SERVICE DATA AND SPECIFICATIONS (SDS)</b> .....	<b>57</b>
<b>CONDENSER PIPE ASSEMBLY</b> .....	<b>49</b>	Compressor .....	57
CONDENSER PIPE ASSEMBLY : Removal and Installation .....	49	Lubricant .....	57
		Refrigerant .....	57
		Engine Idling Speed .....	57
		Belt Tension .....	57

# DIAGNOSIS AND REPAIR WORKFLOW

< BASIC INSPECTION >

## BASIC INSPECTION

### DIAGNOSIS AND REPAIR WORKFLOW

Work Flow

INFOID:000000006345376

DETAILED FLOW

#### 1. LISTEN TO CUSTOMER COMPLAINT

Listen to customer complaint. (Get detailed information about the conditions and environment when the symptom occurs.)

>> GO TO 2.

#### 2. VERIFY THE SYMPTOM WITH OPERATIONAL CHECK

Verify the symptom with operational check. Refer to [HAC-5. "Description & Inspection"](#) (Without left and right ventilation temperature separately control system) or [HAC-5. "Description & Inspection"](#) (With left and right ventilation temperature separately control system).

>> GO TO 3.

#### 3. GO TO APPROPRIATE TROUBLE DIAGNOSIS

Go to appropriate trouble diagnosis. Refer to [HAC-115. "Diagnosis Chart By Symptom"](#).

>> GO TO 4.

#### 4. REPAIR OR REPLACE

Repair or replace the specific parts.

>> GO TO 5.

#### 5. FINAL CHECK

Final check.

Is the inspection result normal?

YES >> INSPECTION END.  
NO >> GO TO 3.

A  
B  
C  
D  
E  
F  
G  
H  
HA  
J  
K  
L  
M  
N  
O  
P

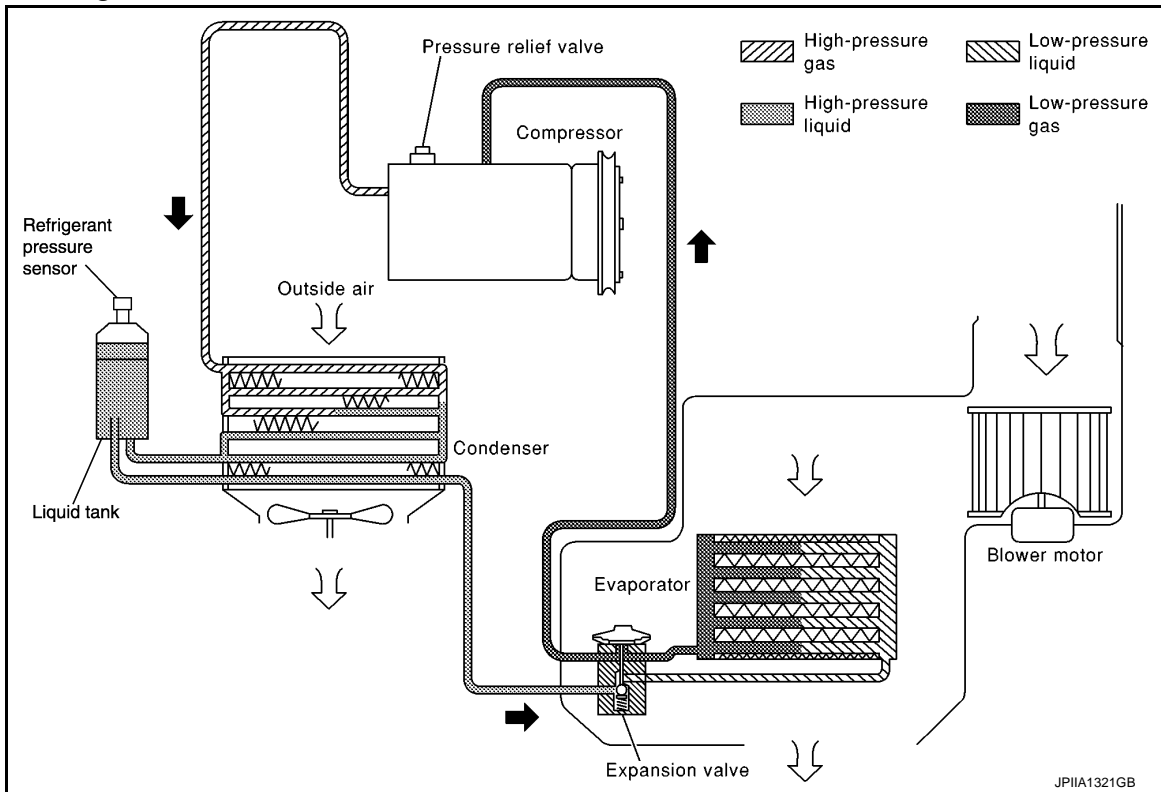
# REFRIGERATION SYSTEM

< SYSTEM DESCRIPTION >

## SYSTEM DESCRIPTION

### REFRIGERATION SYSTEM

#### System Diagram



#### System Description

INFOID:000000006345378

#### REFRIGERANT CYCLE

##### Refrigerant Flow

The refrigerant flows from the compressor, through the condenser with liquid tank, through the evaporator, and back to the compressor. The refrigerant evaporation in the evaporator is controlled by an externally equalized expansion valve, located inside the evaporator case.

##### Freeze Protection

To prevent evaporator from freezing up, the evaporator air temperature is monitored, and the voltage signal to the unified meter and A/C amp. makes the A/C relay go OFF and stop the compressor.

#### REFRIGERANT SYSTEM PROTECTION

##### Refrigerant Pressure Sensor

The refrigerant system is protected against excessively high- or low-pressures by the refrigerant pressure sensor, located on the liquid tank. The refrigerant pressure sensor detects the pressure inside the refrigerant line and sends the voltage signal to the ECM if the system pressure rises above, or falls below the specifications. ECM makes the A/C relay go OFF and stops the compressor when pressure on the high-pressure side detected by refrigerant pressure sensor is over approximately 3,119 kPa (31.8 kg/cm<sup>2</sup>, 452 psi), or below approximately 118 kPa (1.2 kg/cm<sup>2</sup>, 17 psi).

##### Pressure Relief Valve

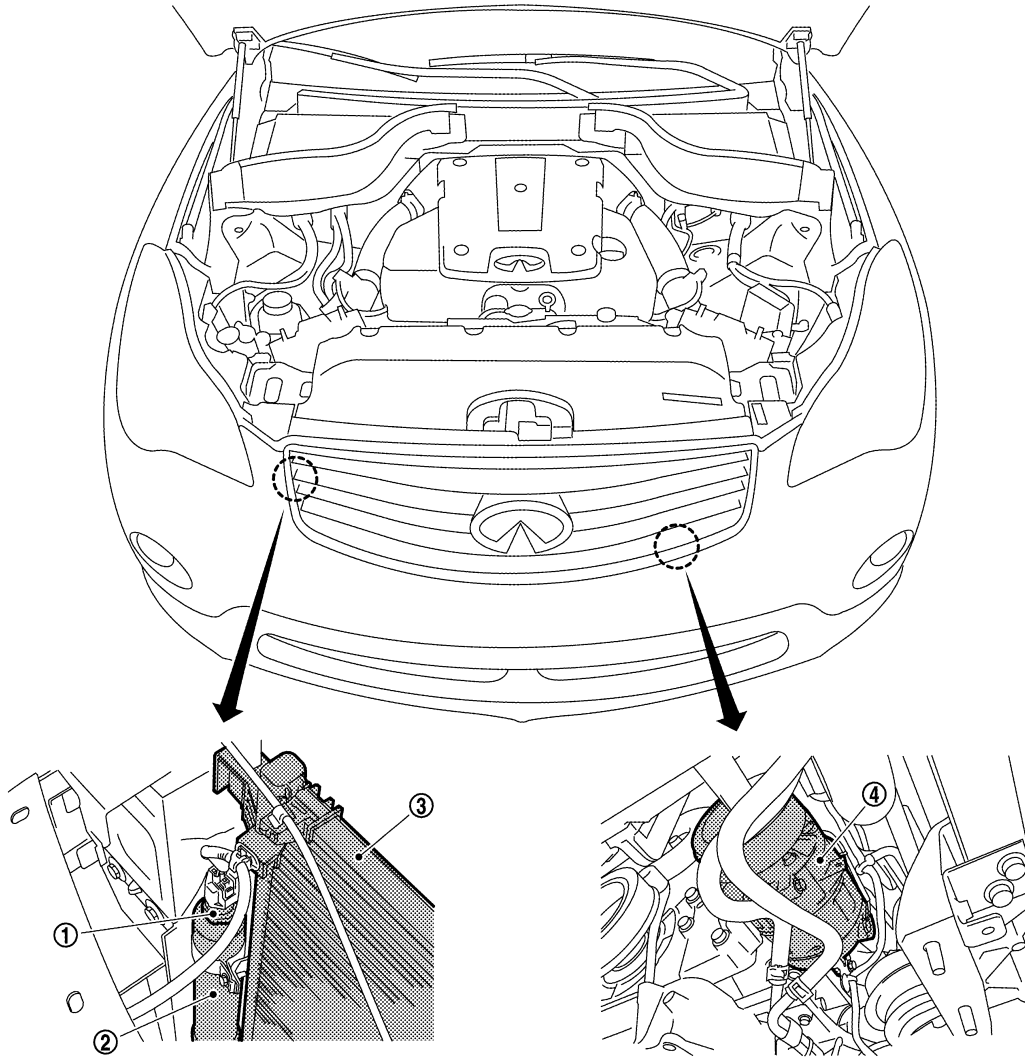
The refrigerant system is also protected by a pressure relief valve, located in the rear head of the compressor. The release port on the pressure relief valve automatically opens and releases refrigerant into the atmosphere when the pressure of refrigerant in the system increases to an unusual level [more than 3,628 kPa (37 kg/cm<sup>2</sup>, 526 psi)].

# REFRIGERATION SYSTEM

< SYSTEM DESCRIPTION >

## Component Parts Location

INFOID:000000006345379



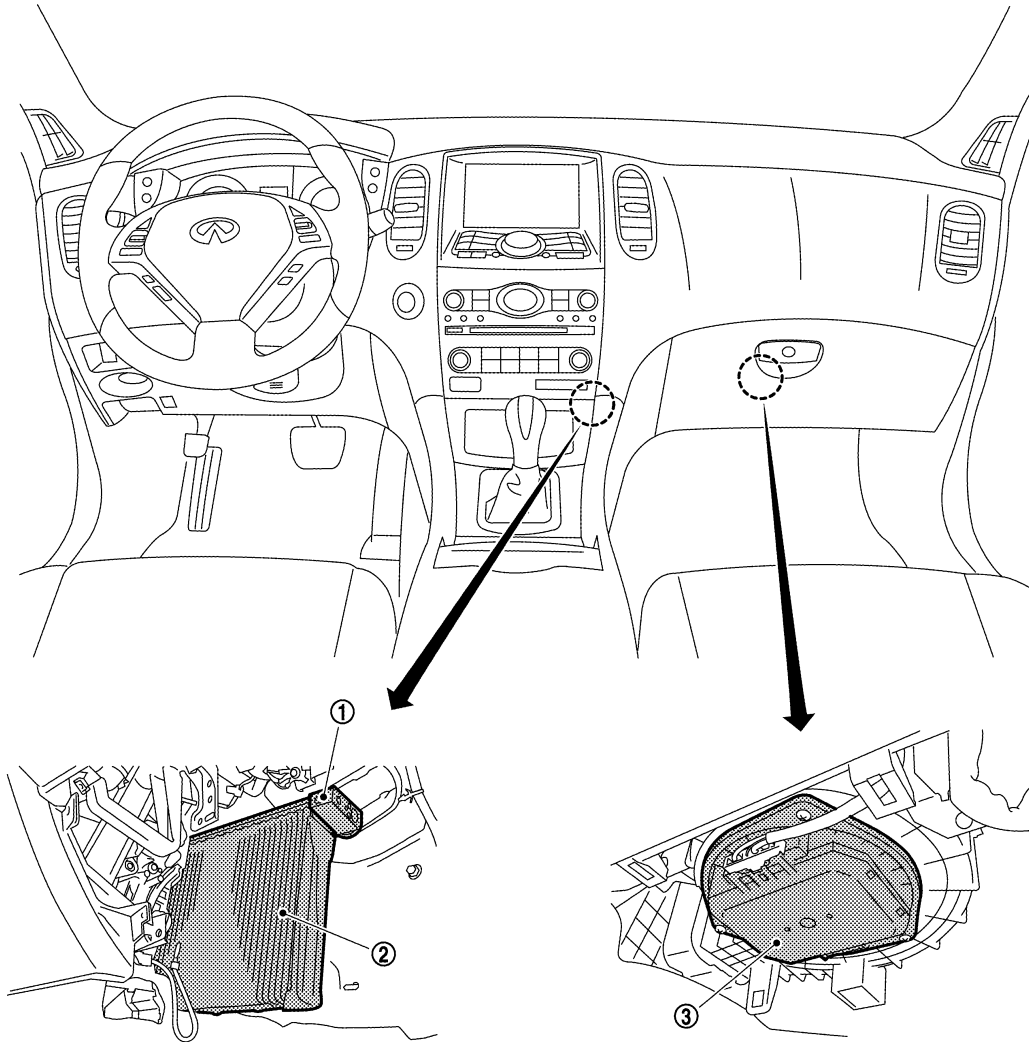
- 1. Refrigerant pressure sensor
- 2. Liquid tank
- 3. Condenser
- 4. Compressor

JPIIA0713ZZ

A  
B  
C  
D  
E  
F  
G  
H  
HA  
J  
K  
L  
M  
N  
O  
P

# REFRIGERATION SYSTEM

## < SYSTEM DESCRIPTION >



JPIIA0714ZZ

1. Expansion valve

2. Evaporator

3. Blower motor

## Component Description

INFOID:000000006345380

Component	Description
Compressor	Intakes, compresses, and discharges refrigerant, to circulate refrigerant inside the refrigerant cycle.
Condenser	Cools refrigerant discharged from compressor, and transforms it to liquid refrigerant.
Liquid tank	Eliminates foreign matter in refrigerant, and stores temporarily liquid refrigerant.
Refrigerant pressure sensor	Refer to <a href="#">EC-514, "Description"</a> .
Expansion valve	Transforms high-pressure liquid refrigerant to mist form low-pressure liquid refrigerant by drawing function.
Evaporator	The mist form liquid refrigerant transforms to gas by evaporation by the air conveyed from blower motor. The air is cooled by the heat by evaporation.
Blower motor	Takes in air in the vehicle or fresh outside air, provides it forcedly to the air conditioner, and conveys it inside the vehicle.

# REFRIGERATION SYSTEM SYMPTOMS

< SYMPTOM DIAGNOSIS >

## SYMPTOM DIAGNOSIS

### REFRIGERATION SYSTEM SYMPTOMS

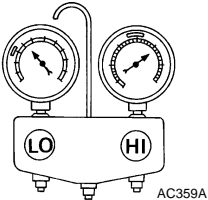
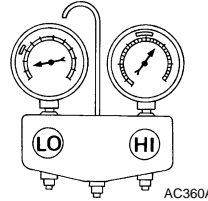
#### Trouble Diagnosis For Unusual Pressure

INFOID:000000006345381

Diagnose using a manifold gauge whenever system's high and/or low side pressure(s) is/are unusual. The marker above the gauge scale in the following tables indicates the standard (usual) pressure range. Refer to above table (Ambient air temperature-to-operating pressure table) since the standard (usual) pressure, however, differs from vehicle to vehicle.

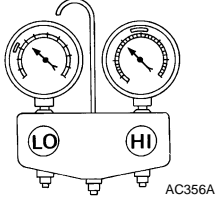
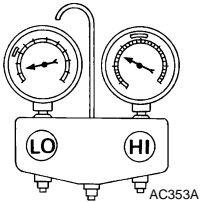
#### Symptom Table

INFOID:000000006345382

Gauge indication	Refrigerant cycle	Probable cause	Corrective action
<p>Both high- and low-pressure sides are too high.</p>  <p>AC359A</p>	<p>The pressure returns to normal is reduced soon after water is splashed on condenser.</p>	<p>Excessive refrigerant charge in refrigeration cycle.</p>	<p>Reduce refrigerant until specified pressure is obtained.</p>
	<p>Air suction by cooling fan is insufficient.</p>	<p>Insufficient condenser cooling performance. ↓ 1. Condenser fins are clogged. 2. Improper fan rotation of cooling fan.</p>	<ul style="list-style-type: none"> <li>Clean condenser.</li> <li>Check and repair cooling fan if necessary.</li> </ul>
	<ul style="list-style-type: none"> <li>Low-pressure pipe is not cold.</li> <li>When compressor is stopped high-pressure reading quickly drops by approximately 196 kPa (2 kg/cm<sup>2</sup>, 28 psi). It then decreases gradually thereafter.</li> </ul>	<p>Poor heat exchange in condenser (After compressor operation stops, high-pressure decreases too slowly). ↓ Air in refrigeration cycle.</p>	<p>Evacuate repeatedly and re-charge system.</p>
	<p>Engine tends to overheat.</p>	<p>Engine cooling systems malfunction.</p>	<p>Check and repair each engine cooling system.</p>
	<ul style="list-style-type: none"> <li>An area of the low-pressure pipe is colder than areas near the evaporator outlet.</li> <li>Low-pressure pipe is sometimes covered with frost.</li> </ul>	<ul style="list-style-type: none"> <li>Excessive liquid refrigerant on low-pressure side.</li> <li>Excessive refrigerant discharge flow.</li> <li>Expansion valve is open a little compared with the specification.</li> </ul> <p>↓ Improper expansion valve adjustment.</p>	<p>Replace expansion valve.</p>
<p>High-pressure side is too high and low-pressure side is too low.</p>  <p>AC360A</p>	<p>Upper side of condenser and high-pressure side are hot, however, liquid tank is not so hot.</p>	<p>High-pressure tube or parts located between compressor and condenser are clogged or crushed.</p>	<ul style="list-style-type: none"> <li>Check and repair or replace malfunctioning parts.</li> <li>Check lubricant for contamination.</li> </ul>

# REFRIGERATION SYSTEM SYMPTOMS

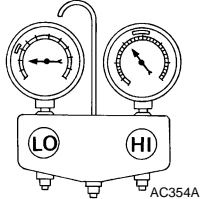
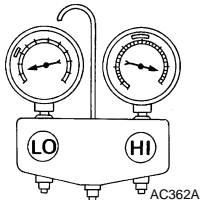
## < SYMPTOM DIAGNOSIS >

Gauge indication	Refrigerant cycle	Probable cause	Corrective action
High-pressure side is too low and low-pressure side is too high. 	High- and low-pressure sides become equal soon after compressor operation stops.	Compressor pressure operation is improper. ↓ Damaged inside compressor packings.	Replace compressor.
	No temperature difference between high- and low-pressure sides.	Compressor pressure operation is improper. ↓ Damaged inside compressor packings.	Replace compressor.
Both high- and low-pressure sides are too low. 	<ul style="list-style-type: none"> <li>There is a big temperature difference between liquid tank outlet and inlet. Outlet temperature is extremely low.</li> <li>Liquid tank inlet and expansion valve are frosted.</li> </ul>	Liquid tank inside is slightly clogged.	<ul style="list-style-type: none"> <li>Replace liquid tank.</li> <li>Check lubricant for contamination.</li> </ul>
	<ul style="list-style-type: none"> <li>Expansion valve inlet temperature is extremely low as compared with areas near liquid tank.</li> <li>Expansion valve inlet is frosted.</li> <li>Temperature difference occurs somewhere in high-pressure side.</li> </ul>	High-pressure pipe located between liquid tank and expansion valve is clogged.	<ul style="list-style-type: none"> <li>Check and repair malfunctioning parts.</li> <li>Check lubricant for contamination.</li> </ul>
	Expansion valve and liquid tank are warm or slightly cool when touched.	Low refrigerant charge. ↓ Leaking fittings or components.	Check refrigerant for leakages. Refer to <a href="#">HA-32, "Refrigerant Leakages"</a> .
	There is a big temperature difference between expansion valve inlet and outlet while the valve itself is frosted.	Expansion valve closes a little compared with the specification. ↓ 1. Improper expansion valve adjustment. 2. Malfunctioning expansion valve. 3. Outlet and inlet may be clogged.	<ul style="list-style-type: none"> <li>Remove foreign particles by using compressed air.</li> <li>Replace expansion valve.</li> <li>Check lubricant for contamination.</li> </ul>
	An area of the low-pressure pipe is colder than areas near the evaporator outlet.	Low-pressure pipe is clogged or crushed.	<ul style="list-style-type: none"> <li>Check and repair malfunctioning parts.</li> <li>Check lubricant for contamination.</li> </ul>
	Air flow volume is not enough or is too low.	Evaporator is frozen.	<ul style="list-style-type: none"> <li>Check intake sensor circuit. Refer to <a href="#">HAC-74, "Diagnosis Procedure"</a>.</li> <li>Replace compressor.</li> <li>Repair evaporator fins.</li> <li>Replace evaporator.</li> <li>Check blower motor circuit. Refer to <a href="#">HAC-57, "Diagnosis Procedure"</a> (Without left and right ventilation temperature separately control system) or <a href="#">HAC-57, "Diagnosis Procedure"</a> (With left and right ventilation temperature separately control system).</li> </ul>



# REFRIGERATION SYSTEM SYMPTOMS

## < SYMPTOM DIAGNOSIS >

Gauge indication	Refrigerant cycle	Probable cause	Corrective action
<p>Low-pressure side sometimes becomes negative.</p> 	<ul style="list-style-type: none"> <li>• Air conditioning system does not function and does not cyclically cool the compartment air.</li> <li>• The system constantly functions for a period of time after compressor is stopped and restarted.</li> </ul>	<p>Refrigerant does not discharge cyclically.</p> <p>↓</p> <p>Moisture is frozen at expansion valve outlet and inlet.</p> <p>↓</p> <p>Water is mixed with refrigerant.</p>	<ul style="list-style-type: none"> <li>• Drain water from refrigerant or replace refrigerant.</li> <li>• Replace liquid tank.</li> </ul>
<p>Low-pressure side becomes negative.</p> 	<p>Liquid tank or front/rear side of expansion valve's pipe is frosted or wet with dew.</p>	<p>High-pressure side is closed and refrigerant does not flow.</p> <p>↓</p> <p>Expansion valve or liquid tank is frosted.</p>	<p>Leave the system at rest until no frost is present. Start it again to check whether or not the malfunction is caused by water or foreign particles.</p> <ul style="list-style-type: none"> <li>• Cooling is initially okay if water is the cause. Then the water freezes causing a blockage. Drain water from refrigerant or replace refrigerant.</li> <li>• Remove expansion valve and remove the particles with dry and compressed air (not shop air) if due to foreign particles.</li> <li>• Replace expansion valve if either of the above methods cannot correct the malfunction.</li> <li>• Replace liquid tank.</li> <li>• Check lubricant for contamination.</li> </ul>

A  
B  
C  
D  
E  
F  
G  
H  
HA  
J  
K  
L  
M  
N  
O  
P

# PRECAUTIONS

< PRECAUTION >

## PRECAUTION

### PRECAUTIONS

#### Precaution for Supplemental Restraint System (SRS) "AIR BAG" and "SEAT BELT PRE-TENSIONER"

INFOID:000000006345383

The Supplemental Restraint System such as "AIR BAG" and "SEAT BELT PRE-TENSIONER", used along with a front seat belt, helps to reduce the risk or severity of injury to the driver and front passenger for certain types of collision. This system includes seat belt switch inputs and dual stage front air bag modules. The SRS system uses the seat belt switches to determine the front air bag deployment, and may only deploy one front air bag, depending on the severity of a collision and whether the front occupants are belted or unbelted. Information necessary to service the system safely is included in the "SRS AIR BAG" and "SEAT BELT" of this Service Manual.

#### **WARNING:**

Always observe the following items for preventing accidental activation.

- To avoid rendering the SRS inoperative, which could increase the risk of personal injury or death in the event of a collision that would result in air bag inflation, all maintenance must be performed by an authorized NISSAN/INFINITI dealer.
- Improper maintenance, including incorrect removal and installation of the SRS, can lead to personal injury caused by unintentional activation of the system. For removal of Spiral Cable and Air Bag Module, see "SRS AIR BAG".
- Never use electrical test equipment on any circuit related to the SRS unless instructed to in this Service Manual. SRS wiring harnesses can be identified by yellow and/or orange harnesses or harness connectors.

#### PRECAUTIONS WHEN USING POWER TOOLS (AIR OR ELECTRIC) AND HAMMERS

#### **WARNING:**

Always observe the following items for preventing accidental activation.

- When working near the Air Bag Diagnosis Sensor Unit or other Air Bag System sensors with the ignition ON or engine running, never use air or electric power tools or strike near the sensor(s) with a hammer. Heavy vibration could activate the sensor(s) and deploy the air bag(s), possibly causing serious injury.
- When using air or electric power tools or hammers, always switch the ignition OFF, disconnect the battery, and wait at least 3 minutes before performing any service.

#### Precautions Necessary for Steering Wheel Rotation After Battery Disconnection

INFOID:000000006345384

#### **CAUTION:**

Comply with the following cautions to prevent any error and malfunction.

- Before removing and installing any control units, first turn the ignition switch to the LOCK position, then disconnect both battery cables.
- After finishing work, confirm that all control unit connectors are connected properly, then re-connect both battery cables.
- Always use CONSULT to perform self-diagnosis as a part of each function inspection after finishing work. If a DTC is detected, perform trouble diagnosis according to self-diagnosis results.

For vehicle with steering lock unit, if the battery is disconnected or discharged, the steering wheel will lock and cannot be turned.

If turning the steering wheel is required with the battery disconnected or discharged, follow the operation procedure below before starting the repair operation.

#### OPERATION PROCEDURE

1. Connect both battery cables.

#### **NOTE:**

Supply power using jumper cables if battery is discharged.

2. Turn the ignition switch to ACC position.  
(At this time, the steering lock will be released.)
3. Disconnect both battery cables. The steering lock will remain released with both battery cables disconnected and the steering wheel can be turned.

# PRECAUTIONS

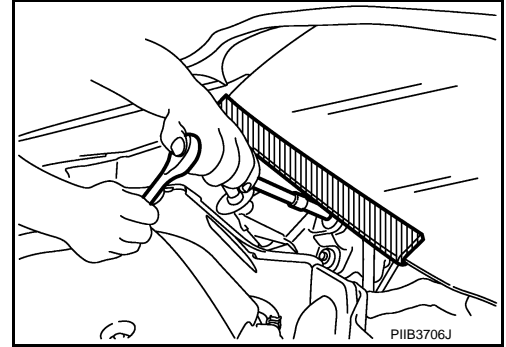
## < PRECAUTION >

4. Perform the necessary repair operation.
5. When the repair work is completed, re-connect both battery cables. With the brake pedal released, turn the ignition switch from ACC position to ON position, then to LOCK position. (The steering wheel will lock when the ignition switch is turned to LOCK position.)
6. Perform self-diagnosis check of all control units using CONSULT.

### Precaution for Procedure without Cowl Top Cover

INFOID:000000006345385

When performing the procedure after removing cowl top cover, cover the lower end of windshield with urethane, etc to prevent damage to windshield.



### Working with HFC-134a (R-134a)

INFOID:000000006345386

#### **CAUTION:**

- **CFC-12 (R-12) refrigerant and HFC-134a (R-134a) refrigerant are not compatible. Compressor malfunction is likely to occur if the refrigerants are mixed, refer to “CONTAMINATED REFRIGERANT” below. To determine the purity of HFC-134a (R-134a) in the vehicle and recovery tank, use Refrigerant recovery/recycling recharging equipment and Refrigerant Identifier.**
- **Use only specified lubricant for the HFC-134a (R-134a) A/C system and HFC-134a (R-134a) components. Compressor malfunction is likely to occur if lubricant other than that specified is used.**
- **The specified HFC-134a (R-134a) lubricant rapidly absorbs moisture from the atmosphere. The following handling precautions must be observed:**
  - **Cap (seal) immediately the component to minimize the entry of moisture from the atmosphere when removing refrigerant components from a vehicle.**
  - **Never remove the caps (unseal) until just before connecting the components when installing refrigerant components to a vehicle. Connect all refrigerant loop components as quickly as possible to minimize the entry of moisture into system.**
  - **Use only the specified lubricant from a sealed container. Reseal immediately containers of lubricant. Lubricant becomes moisture saturated and should not be used without proper sealing.**
  - **Never allow lubricant (A/C System Oil Type S) to come in contact with styrene foam parts. Damage may result.**

#### CONTAMINATED REFRIGERANT

**Take appropriate steps shown below if a refrigerant other than pure HFC-134a (R-134a) is identified in a vehicle:**

- Explain to the customer that environmental regulations prohibit the release of contaminated refrigerant into the atmosphere.
- Explain that recovery of the contaminated refrigerant could damage service equipment and refrigerant supply.
- Suggest the customer return the vehicle to the location of previous service where the contamination may have occurred.
- In case of repairing, recover the refrigerant using only **dedicated equipment and containers. Never recover contaminated refrigerant into the existing service equipment.** Contact a local refrigerant product retailer for available service if the facility does not have dedicated recovery equipment. This refrigerant must be disposed of in accordance with all federal and local regulations. In addition, replacement of all refrigerant system components on the vehicle is recommended.
- The air conditioner warranty is void if the vehicle is within the warranty period. Please contact Nissan Customer Affairs for further assistance.

### General Refrigerant Precaution

INFOID:000000006345387

#### **WARNING:**

# PRECAUTIONS

## < PRECAUTION >

- Never breath A/C refrigerant and lubricant vapor or mist. Exposure may irritate eyes, nose and throat. Remove HFC-134a (R-134a) from the A/C system, using certified service equipment meeting requirements of SAE J-2210 [HFC-134a (R-134a) recycling equipment], or J-2209 [HFC-134a (R-134a) recovery equipment]. Ventilate work area before resuming service if accidental system discharge occurs. Additional health and safety information may be obtained from refrigerant and lubricant manufacturers.
- Never release refrigerant into the air. Use approved recovery/recycling recharging equipment to capture the refrigerant each time an air conditioning system is discharged.
- Wear always eye and hand protection (goggles and gloves) when working with any refrigerant or air conditioning system.
- Never store or heat refrigerant containers above 52°C (126°F).
- Never heat a refrigerant container with an open flame; Place the bottom of the container in a warm pail of water if container warming is required.
- Never intentionally drop, puncture, or incinerate refrigerant containers.
- Keep refrigerant away from open flames: poisonous gas is produced if refrigerant burns.
- Refrigerant displaces oxygen, therefore be certain to work in well ventilated areas to prevent suffocation.
- Never pressure test or leakage test HFC-134a (R-134a) service equipment and/or vehicle air conditioning systems with compressed air during repair. Some mixtures of air and HFC-134a (R-134a) have been shown to be combustible at elevated pressures. These mixtures, if ignited, may cause injury or property damage. Additional health and safety information may be obtained from refrigerant manufacturers.

## Refrigerant Connection

INFOID:000000006345388

A new type refrigerant connection has been introduced to all refrigerant lines except the following location.

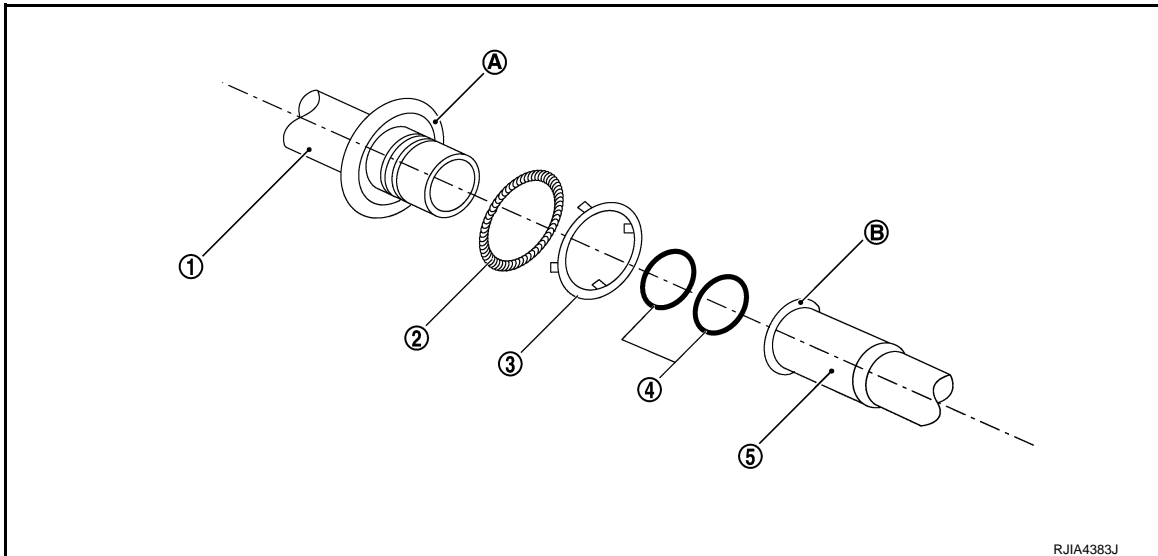
- Expansion valve to evaporator
- Refrigerant pressure sensor to liquid tank

## ABOUT ONE-TOUCH JOINT

### Description

- One-touch joints are pipe joints which do not require tools during piping connection.
- Unlike conventional connection methods using union nuts and flanges, controlling tightening torque at connection point is not necessary.
- Use a disconnecter when removing a pipe joint.

### COMPONENT PARTS



### FUNCTIONS OF COMPONENT PARTS

1	Pipe (Male-side)	<ul style="list-style-type: none"> <li>• Retains O-rings.</li> <li>• Retains garter spring in cage (A).</li> </ul>
2	Garter spring	Anchors female-side piping.

# PRECAUTIONS

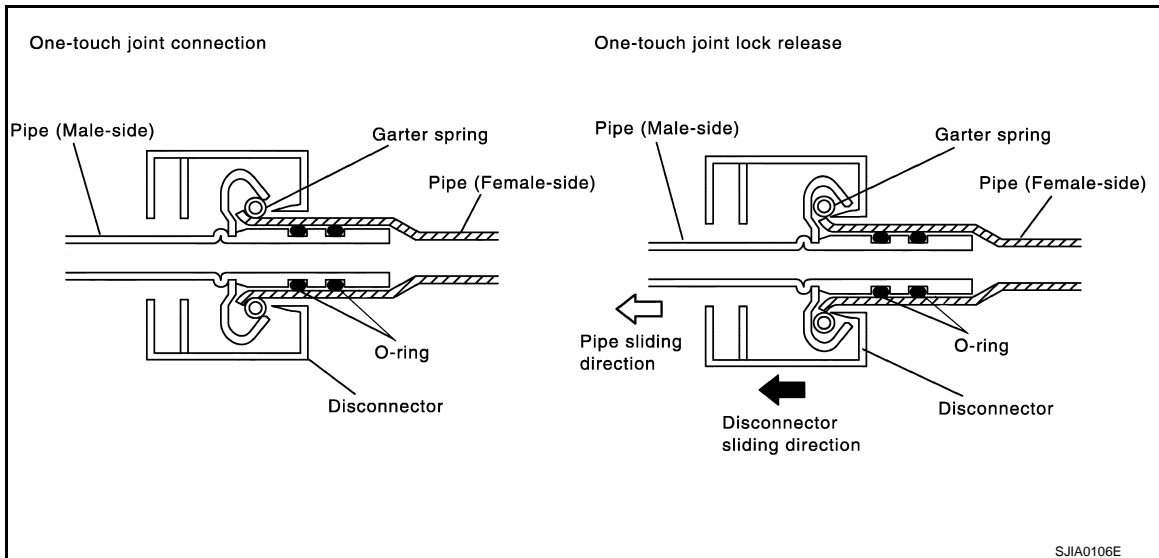
## < PRECAUTION >

3	Indicator ring	When connection is made properly, this is ejected from male-side piping. (This part is no longer necessary after connection.)
4	O-ring	Seals connection point. (Not reusable)
5	Pipe (Female-side)	<ul style="list-style-type: none"> <li>Seals connection by compressing O-rings.</li> <li>Anchors piping connection using flare (B) and garter spring.</li> </ul>

### NOTE:

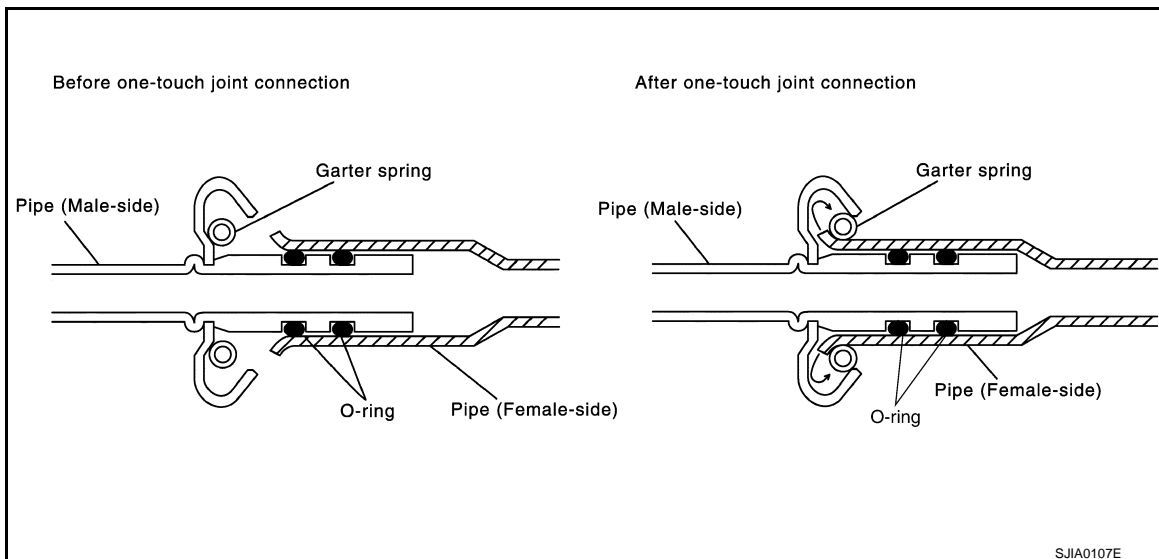
- Garter spring cannot be removed from cage of male-side piping.
- Indicator ring remains near piping connection point, however, this is not a malfunction. (This is to check piping connection during factory assembly.)

### REMOVAL



- Clean piping connection point, and set a disconnecter.
- Slide disconnecter in axial direction of piping, and stretch garter spring with tapered point of disconnecter.
- Slide disconnecter farther so that inside diameter of garter spring becomes larger than outside diameter of female-side piping flare. Then male-side piping can be disconnected.

### INSTALLATION



- Clean piping connection points, and insert male-side piping into female-side piping.
- Push inserted male-side piping harder so that female-side piping flare stretches garter spring.
- Garter spring seats on flare if inside diameter of garter spring becomes larger than outside diameter of female-side piping flare. Then, it fits in between male-side piping cage and female-side piping flare to anchor piping connection point.

### NOTE:

When garter spring seats on flare, and fits in between male-side piping cage and female-side piping flare, it clicks.

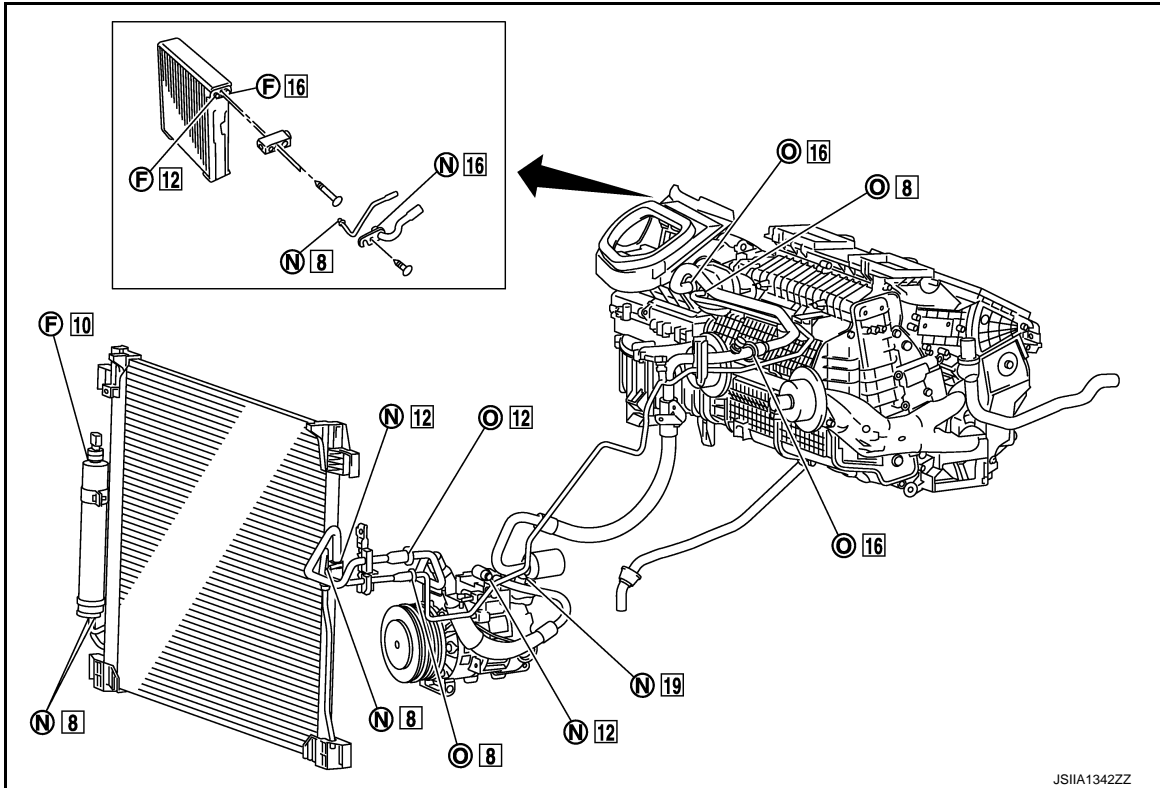
# PRECAUTIONS

## < PRECAUTION >

### CAUTION:

- Female-side piping connection point is thin and easy to deform. Slowly insert the male-side piping straight in axial direction.
- Insert piping securely until a click is heard.
- After piping connection is completed, pull male-side piping by hand to make sure that connection does not come loose.

## O-RING AND REFRIGERANT CONNECTION



F. Former type refrigerant connection    N. New type refrigerant connection    O. One-touch joint  
 □: O-ring size

### CAUTION:

The new and former refrigerant connections use different O-ring configurations. Never confuse O-rings since they are not interchangeable. Refrigerant may leak at the connection if a wrong O-ring is installed.

### O-Ring Part Numbers and Specifications

Connection type	Piping connection point	Part number	QTY	O-ring size
One-touch joint	Low-pressure flexible hose to low-pressure pipe 2	92473 N8221	2	16
	High-pressure pipe 1 to high-pressure pipe 2	92471 N8221	2	8
	Condenser pipe assembly to high-pressure flexible hose	92472 N8221	2	12
	Condenser pipe assembly to high-pressure pipe 1	92471 N8221	2	8
	Low-pressure pipe 1 to low-pressure pipe 2	92473 N8210	1	16

# PRECAUTIONS

## < PRECAUTION >

Connection type	Piping connection point		Part number	QTY	O-ring size
New	Condenser to condenser pipe assembly	Inlet	92472 N8210	1	12
		Outlet	92471 N8210	1	8
	Low-pressure pipe 1 to expansion valve		92473 N8210	1	16
	High-pressure pipe 2 to expansion valve		92471 N8210	1	8
	Compressor to low-pressure flexible hose		92474 N8210	1	19
	Compressor to high-pressure flexible hose		92472 N8210	1	12
	Liquid tank to Condenser	Inlet	92471 N8210	1	8
Outlet		1			
Former	Refrigerant pressure sensor to liquid tank		J2476 89956	1	10
	Expansion valve to evaporator	Inlet	92475 71L00	1	12
		Outlet	92475 72L00	1	16

### WARNING:

Check that all refrigerant is discharged into the recycling equipment and the pressure in the system is less than atmospheric pressure. Then gradually loosen the discharge side hose fitting and remove it.

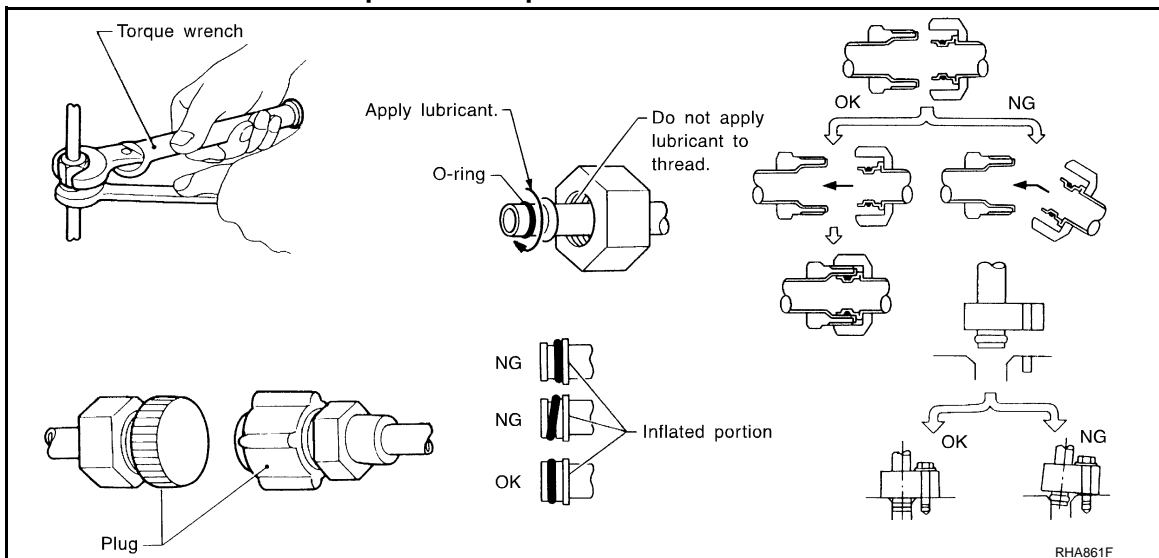
### CAUTION:

Observe the following when replacing or cleaning refrigerant cycle components.

- Store it in the same way as it is when mounted on the car when the compressor is removed. Failure to do so will cause lubricant to enter the low-pressure chamber.
- Use always a torque wrench and a back-up wrench when connecting tubes.
- Plug immediately all openings to prevent entry of dust and moisture after disconnecting tubes.
- Connect the pipes at the final stage of the operation when installing an air conditioner in the vehicle. Never remove the seal caps of pipes and other components until just before required for connection.
- Allow components stored in cool areas to warm to working area temperature before removing seal caps. This prevents condensation from forming inside A/C components.
- Remove thoroughly moisture from the refrigeration system before charging the refrigerant.
- Replace always used O-rings.
- Apply lubricant to circle of the O-rings shown in illustration when connecting tube. Be careful not to apply lubricant to threaded portion.

**Name : A/C System Oil Type S**

- O-ring must be closely attached to the groove portion of tube.
- Be careful not to damage O-ring and tube when replacing the O-ring.
- Connect tube until a click can be heard. Then tighten the nut or bolt by hand. Check that the O-ring is installed to tube correctly.
- Perform leakage test and make sure that there is no leakage from connections after connecting line. Disconnect that line and replace the O-ring when the refrigerant leaking point is found. Then tighten connections of seal seat to the specified torque.



# PRECAUTIONS

## < PRECAUTION >

### Service Equipment

INFOID:00000006345389

#### RECOVERY/RECYCLING RECHARGING EQUIPMENT

Be certain to follow the manufacturer's instructions for machine operation and machine maintenance. Never introduce any refrigerant other than that specified into the machine.

#### ELECTRICAL LEAK DETECTOR

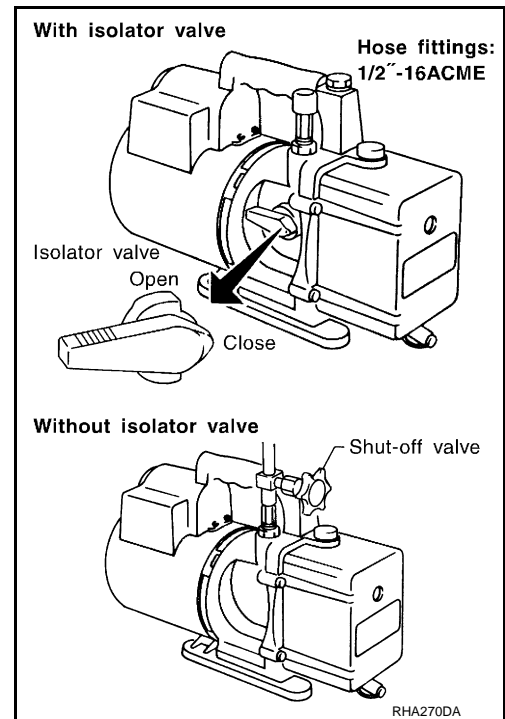
Be certain to follow the manufacturer's instructions for tester operation and tester maintenance.

#### VACUUM PUMP

The lubricant contained inside the vacuum pump is not compatible with the specified lubricant for HFC-134a (R-134a) A/C systems. The vent side of the vacuum pump is exposed to atmospheric pressure. So the vacuum pump lubricant may migrate out of the pump into the service hose. This is possible when the pump is switched OFF after evacuation (vacuuming) and hose is connected to it. To prevent this migration, use a manual valve placed near the hose-to-pump connection, as per the following.

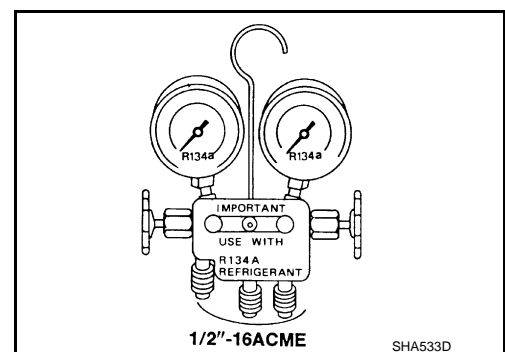
- Vacuum pumps usually have a manual isolator valve as part of the pump. Close this valve to isolate the service hose from the pump.
- Use a hose equipped with a manual shut-off valve near the pump end for pumps without an isolator. Close the valve to isolate the hose from the pump.
- Disconnect the hose from the pump if the hose has an automatic shut-off valve. As long as the hose is connected, the valve is open and lubricating oil may migrate.

Some one-way valves open when vacuum is applied and close under no vacuum condition. Such valves may restrict the pump's ability to pull a deep vacuum and are not recommended.



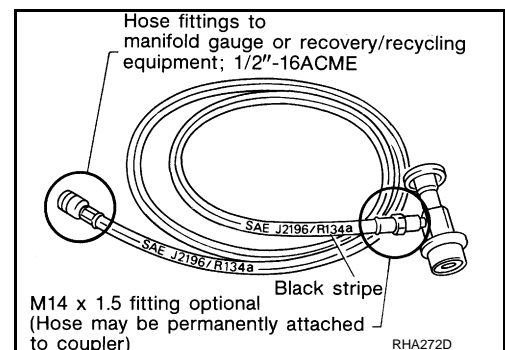
#### MANIFOLD GAUGE SET

Be certain that the gauge face indicates HFC-134a or R-134a. Be sure the gauge set has 1/2"-16 ACME threaded connections for service hoses. Confirm the set has been used only with refrigerant HFC-134a (R-134a) and specified lubricants.



#### SERVICE HOSES

Be certain that the service hoses display the markings described (colored hose with black stripe). All hoses must equip positive shut-off devices (either manual or automatic) near the end of the hoses opposite to the manifold gauge.



#### SERVICE COUPLERS

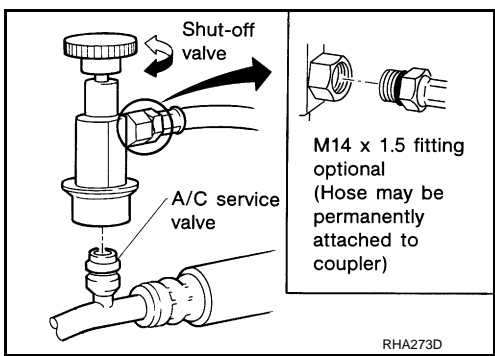


# PRECAUTIONS

## < PRECAUTION >

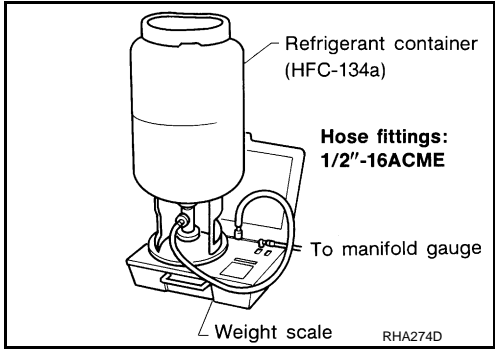
Never attempt to connect HFC-134a (R-134a) service couplers to a CFC-12 (R-12) A/C system. The HFC-134a (R-134a) couplers do not properly connect to the CFC-12 (R-12) system. However, if an improper connection is attempted, discharging and contamination may occur.

Shut-off valve rotation	A/C service valve
Clockwise	Open
Counterclockwise	Close



## REFRIGERANT WEIGHT SCALE

Verify that no refrigerant other than HFC-134a (R-134a) and specified lubricants have been used with the scale. The hose fitting must be 1/2"-16 ACME if the scale controls refrigerant flow electronically.



## CHARGING CYLINDER

Using a charging cylinder is not recommended. Refrigerant may be vented into air from cylinder's top valve when filling the cylinder with refrigerant. Also, the accuracy of the cylinder is generally less than that of an electronic scale or of quality recycle/recharge equipment.

A  
B  
C  
D  
E  
F  
G  
H  
HA  
J  
K  
L  
M  
N  
O  
P

# COMPRESSOR

< PRECAUTION >

---

## COMPRESSOR

### General Precautions

INFOID:000000006345390

#### **CAUTION:**

- Plug all openings to prevent moisture and foreign matter from entering.
- Store it in the same way as it is when mounted on the car when the compressor is removed.
- Follow "Maintenance of Lubricant Quantity in Compressor" exactly when replacing or repairing compressor. Refer to [HA-28, "Maintenance of Lubricant Quantity"](#).
- Keep friction surfaces between clutch and pulley clean. Wipe it off by using a clean waste cloth moistened with thinner if the surface is contaminated with lubricant.
- Turn the compressor shaft by hand more than five turns in both directions after compressor service operation. This distributes equally lubricant inside the compressor. Let the engine idle and operate the compressor for one hour after the compressor is installed.
- Apply voltage to the new one and check for normal operation after replacing the compressor magnet clutch.

# LEAK DETECTION DYE

< PRECAUTION >

## LEAK DETECTION DYE

### General Precautions

INFOID:000000006345391

#### CAUTION:

- The A/C system contains a fluorescent leak detection dye used for locating refrigerant leakages. An ultraviolet (UV) lamp is required to illuminate the dye when inspecting for leakages.
- Wear always fluorescence enhancing UV safety goggles to protect eyes and enhance the visibility of the fluorescent dye.
- The fluorescent dye leak detector is not a replacement for an electrical leak detector (SST: J-41995). The fluorescent dye leak detector should be used in conjunction with an electrical leak detector (SST: J-41995) to pin-point refrigerant leakages.
- Read and follow all manufacture's operating instructions and precautions prior to performing the work for the purpose of safety and customer's satisfaction.
- A compressor shaft seal should not necessarily be repaired because of dye seepage. The compressor shaft seal should only be repaired after confirming the leakage with an electrical leak detector (SST: J-41995).
- Remove always any remaining dye from the leakage area after repairs are completed to avoid a misdiagnosis during a future service.
- Never allow dye to come into contact with painted body panels or interior components. Clean immediately with the approved dye cleaner if dye is spilled. Fluorescent dye left on a surface for an extended period of time cannot be removed.
- Never spray the fluorescent dye cleaning agent on hot surfaces (engine exhaust manifold, etc.).
- Never use more than one refrigerant dye bottle (1/4 ounce /7.4 cc) per A/C system.
- Leak detection dyes for HFC-134a (R-134a) and CFC-12 (R-12) A/C systems are different. Never use HFC-134a (R-134a) leak detection dye in CFC-12 (R-12) A/C system, or CFC-12 (R-12) leak detection dye in HFC-134a (R-134a) A/C system, or A/C system damage may result.
- The fluorescent properties of the dye remains for three or more years unless a compressor malfunction occurs.

### IDENTIFICATION

#### NOTE:

Vehicles with factory installed fluorescent dye have a green label.  
Vehicles without factory installed fluorescent dye have a blue label.

### IDENTIFICATION LABEL FOR VEHICLE

Vehicles with factory installed fluorescent dye have the identification label on the front side of hood.

A  
B  
C  
D  
E  
F  
G  
H  
HA  
J  
K  
L  
M  
N  
O  
P

# PREPARATION

< PREPARATION >

## PREPARATION

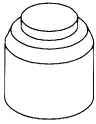
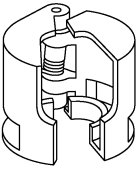

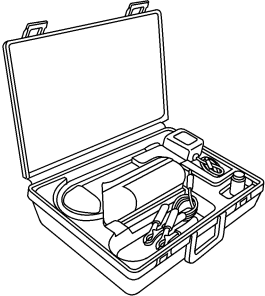
### PREPARATION

#### Special Service Tool

INFOID:000000006345392

HFC-134a (R-134a) Service Tool and Equipment

- Never mix HFC-134a (R-134a) refrigerant and/or its specified lubricant with CFC-12 (R-12) refrigerant and/or its lubricant.
- Separate and non-interchangeable service equipment must be used for handling each type of refrigerant/lubricant.
- Refrigerant container fittings, service hose fittings and service equipment fittings (equipment which handles refrigerant and/or lubricant) are different between CFC-12 (R-12) and HFC-134a (R-134a). This is to avoid mixed use of the refrigerants/lubricant.
- Never use adapters that convert one size fitting to another: refrigerant/lubricant contamination occurs and compressor malfunction may result.

Tool number (Kent-Moore No.) Tool name	Description
KV99106200 (J-41260) Pulley installer	<div style="text-align: center;">  <p>S-NT235</p> </div> <p style="text-align: right;">Installing pulley</p>
(J-45815) Disconnecter tool set	<div style="text-align: center;">  <p>RJIA0391J</p> </div> <p style="text-align: right;">Disconnect one-touch joint connection</p>
(ACR2005-NI) ACR5 A/C Service Center	<div style="text-align: center;">  <p>WJIA0293E</p> </div> <p style="text-align: right;">Function: Refrigerant recovery, recycling and recharging</p>
(J-41995) Electrical leak detector	<div style="text-align: center;">  <p>AHA281A</p> </div> <p style="text-align: right;">Power supply: DC 12 V (Battery terminal)</p>

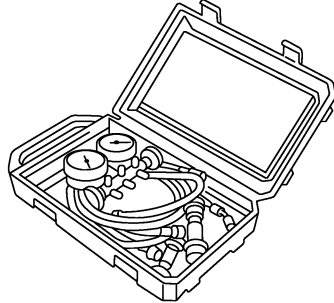
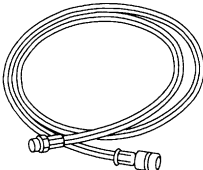
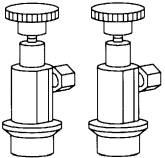
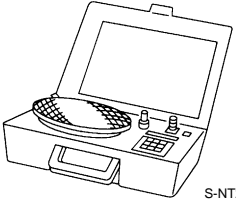
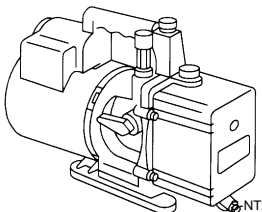
# PREPARATION

## < PREPARATION >

Tool number (Kent-Moore No.) Tool name	Description	A B C D E F G H HA J K L M N O P
<p>(J-43926) Refrigerant dye leak detection kit Kit includes: (J-42220) UV lamp and UV safety goggles (J-41459) HFC-134a (R-134a) dye injector Use with J-41447, 1/4 ounce bottle (J-41447) HFC-134a (R-134a) fluorescent leak detection dye (Box of 24, 1/4 ounce bottles) (J-43872) Refrigerant dye cleaner</p>		<p>Power supply: DC 12 V (Battery terminal)</p>
<p>(J-42220) UV lamp and UV safety goggles</p>	<p style="text-align: center;">SHA438F</p>	<p>Power supply: DC 12 V (Battery terminal) For checking refrigerant leakage when fluorescent dye is equipped in A/C system Includes: UV lamp and UV safety goggles</p>
<p>(J-41447) HFC-134a (R-134a) fluorescent leak detection dye (Box of 24, 1/4 ounce bottles)</p>	<p style="text-align: center;">Refrigerant dye (24 bottles)</p> <p style="text-align: center;">SHA439F</p>	<p>Application: For HFC-134a (R-134a) PAG oil Container: 1/4 ounce (7.4 cc) bottle (Includes self-adhesive dye identification labels for affixing to vehicle after charging system with dye.)</p>
<p>(J-41459) HFC-134a (R-134a) dye injector Use with J-41447, 1/4 ounce bottle</p>	<p style="text-align: center;">SHA440F</p>	<p>For injecting 1/4 ounce of fluorescent leak detection dye into A/C system</p>
<p>(J-43872) Refrigerant dye cleaner</p>	<p style="text-align: center;">SHA441F</p>	<p>For cleaning dye spills</p>

# PREPARATION

## < PREPARATION >

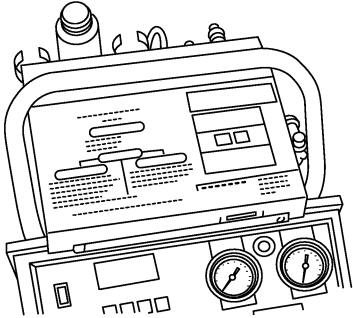
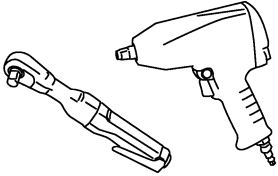
Tool number (Kent-Moore No.) Tool name	Description
<p>(J-39183) Manifold gauge set (with hoses and couplers)</p>  <p style="text-align: right; font-size: small;">RJA0196E</p>	<p>Identification:</p> <ul style="list-style-type: none"> <li>The gauge face indicates HFC-134a (R-134a).</li> </ul> <p>Fitting size: Thread size</p> <ul style="list-style-type: none"> <li>1/2"-16 ACME</li> </ul>
<p>Service hoses</p> <ul style="list-style-type: none"> <li>High-pressure side hose (J-39501-72)</li> <li>Low-pressure side hose (J-39502-72)</li> <li>Utility hose (J-39476-72)</li> </ul>  <p style="text-align: right; font-size: small;">S-NT201</p>	<p>Hose color:</p> <ul style="list-style-type: none"> <li>Low-pressure side hose: Blue with black stripe</li> <li>High-pressure side hose: Red with black stripe</li> <li>Utility hose: Yellow with black stripe or green with black stripe</li> </ul> <p>Hose fitting to gauge:</p> <ul style="list-style-type: none"> <li>1/2"-16 ACME</li> </ul>
<p>Service couplers</p> <ul style="list-style-type: none"> <li>High-pressure side coupler (J-39500-20)</li> <li>Low-pressure side coupler (J-39500-24)</li> </ul>  <p style="text-align: right; font-size: small;">S-NT202</p>	<p>Hose fitting to service hose: M14 x 1.5 fitting is optional or permanently attached.</p>
<p>(J-39650) Refrigerant weight scale</p>  <p style="text-align: right; font-size: small;">S-NT200</p>	<p>For measuring of refrigerant</p> <p>Fitting size: Thread size</p> <p>1/2"-16 ACME</p>
<p>(J-39649) Vacuum pump (Including the isolator valve)</p>  <p style="text-align: right; font-size: small;">S-NT203</p>	<p>Capacity:</p> <ul style="list-style-type: none"> <li>Air displacement: 4 CFM</li> <li>Micron rating: 20 microns</li> <li>Oil capacity: 482 g (17 oz.)</li> </ul> <p>Fitting size: Thread size</p> <ul style="list-style-type: none"> <li>1/2"-16 ACME</li> </ul>

# PREPARATION

< PREPARATION >

## Commercial Service Tool

INFOID:000000006345393

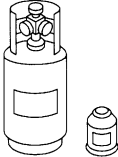

Tool name	Description
<p>Refrigerant identifier equipment</p>  <p>RJIA0197E</p>	<p>Checking for refrigerant purity and system contamination</p>
<p>Power tool</p>  <p>PBIC0190E</p>	<p>For loosening bolts and nuts</p>

## Sealant or/and Lubricant

INFOID:000000006345394

### HFC-134a (R-134a) Service Tool and Equipment

- Never mix HFC-134a (R-134a) refrigerant and/or its specified lubricant with CFC-12 (R-12) refrigerant and/or its lubricant.
- Separate and non-interchangeable service equipment must be used for handling each type of refrigerant/lubricant.
- Refrigerant container fittings, service hose fittings and service equipment fittings (equipment which handles refrigerant and/or lubricant) are different between CFC-12 (R-12) and HFC-134a (R-134a). This is to avoid mixed use of the refrigerants/lubricant.
- Never use adapters that convert one size fitting to another: refrigerant/lubricant contamination occurs and compressor malfunction may result.

Tool name	Description
<p>HFC-134a (R-134a) refrigerant</p>  <p>S-NT196</p>	<p>Container color: Light blue            Container marking: HFC-134a (R-134a)            Fitting size: Thread size</p> <ul style="list-style-type: none"> <li>• Large container 1/2" -16 ACME</li> </ul>
<p>A/C System Oil Type S (DH-PS)</p>  <p>S-NT197</p>	<p>Type: Polyalkylene glycol oil (PAG), type S (DH-PS)            Application: HFC-134a (R-134a) swash plate compressors            Capacity: 40 m ℓ (1.4 US fl oz., 1.4 Imp fl oz.)</p>

# REFRIGERANT

< PERIODIC MAINTENANCE >

## PERIODIC MAINTENANCE

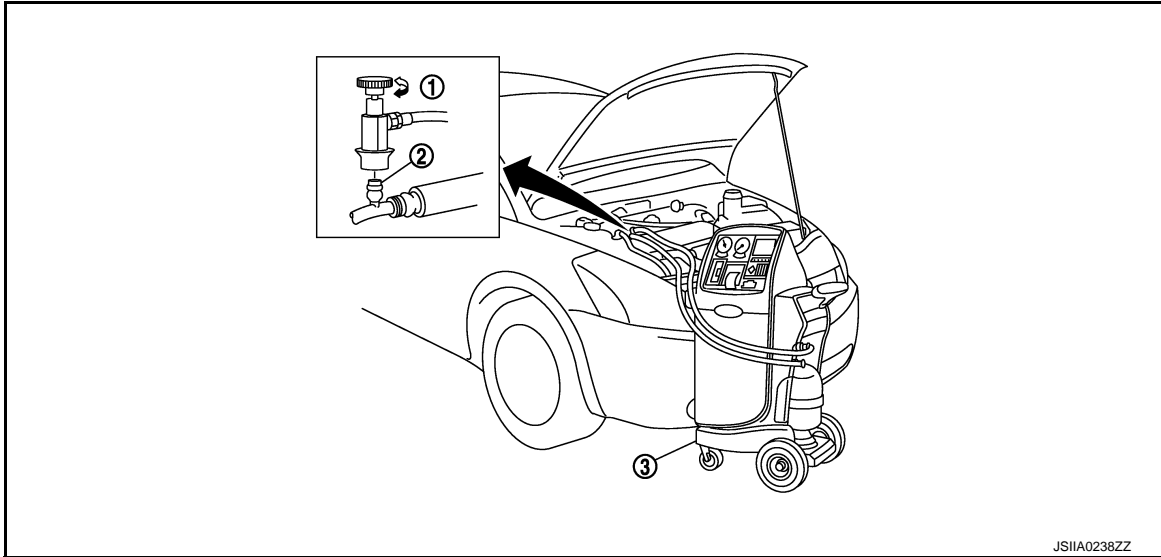
### REFRIGERANT

#### Collection and Charge

INFOID:000000006345395

#### SETTING OF SERVICE TOOLS AND EQUIPMENT

##### Discharging Refrigerant

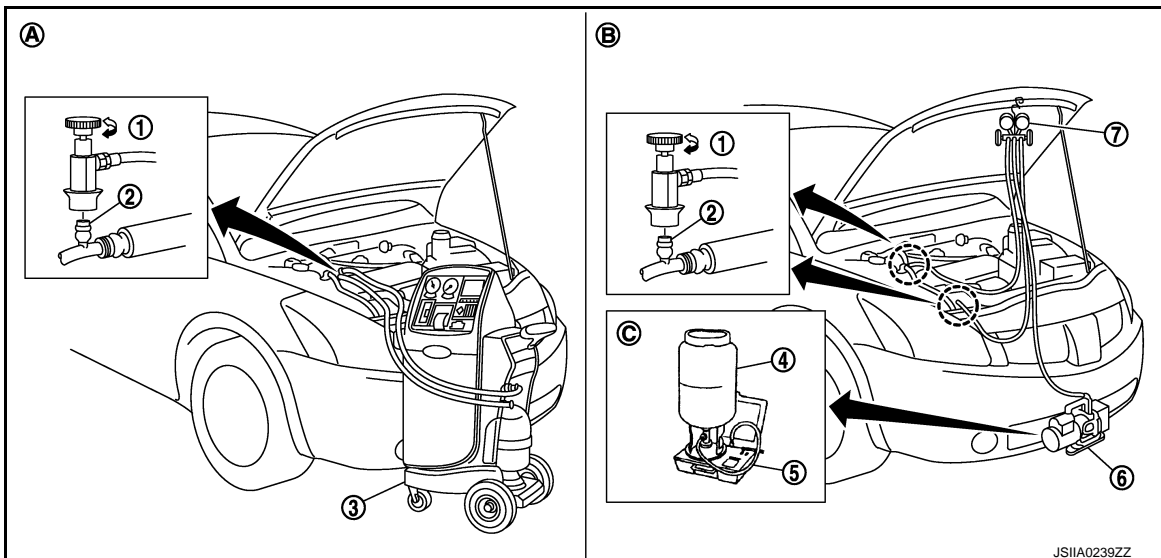


1. Shut-off valve

2. A/C service valve

3. Recovery/recycling recharging equipment

##### Evacuating System and Charging Refrigerant



1. Shut-off valve

2. A/C service valve

3. Recovery/recycling recharging equipment

4. Refrigerant container (HFC-134a)

5. Weight scale (J-39650)

6. Vacuum pump (J-39649)

7. Manifold gauge set (J-39183)

A. Preferred (best) method

B. Alternative method

C. For charging

#### Procedure



# REFRIGERANT

< PERIODIC MAINTENANCE >

## **WARNING:**

Never breath A/C refrigerant and lubricant vapor or mist. Exposure may irritate eyes, nose and throat. Remove HFC-134a (R-134a) from A/C system using certified service equipment meeting requirements of SAE J-2210 [HFC-134a (R-134a) recycling equipment] or J-2209 [HFC-134a (R-134a) recovery equipment]. Ventilate work area before resuming service if accidental system discharge occurs. Additional health and safety information may be obtained from refrigerant and lubricant manufacturers.

## 1. CHECK A/C SYSTEM

1. Check that A/C system operates normally. Refer to [HAC-5. "Description & Inspection"](#) (Without left and right ventilation temperature separately control system) or [HAC-5. "Description & Inspection"](#) (With left and right ventilation temperature separately control system).
2. Check if there is a large amount of leakage of refrigerant or oil.

### **CAUTION:**

Never perform the lubricant return operation if a large amount of leakage of lubricant is detected.

Is the inspection result normal?

YES >> GO TO 2.

NO >> Check for refrigerant leakage. Refer to [HA-33. "Inspection"](#).

## 2. LUBRICANT RETURN OPERATION

1. Start the engine and run it as follows.
  - Engine speed: Idle - 1,200 rpm
  - A/C switch: ON
  - Blower speed: Max. position
  - Air inlet: Recirculation (REC)
  - Set temperature: FULL HOT
2. Perform lubricant return operation for approximately 10 minutes.
3. Stop the engine.

>> GO TO 3.

## 3. CHECK RECOVERY/RECYCLING RECHARGING EQUIPMENT

1. Operate recovery/recycling recharging equipment.

### **CAUTION:**

- Follow the instructions of the manufacturer for the handling or maintenance of the equipment.
- Never fill the equipment with undesignated refrigerant.

2. Check the gauge pressure of recovery/recycling recharging equipment.

Is there pressure?

YES >> GO TO 4.

NO >> GO TO 5.

## 4. DISCHARGE REFRIGERANT INSIDE PIPES

Discharge the refrigerant from the high-pressure hose and low-pressure hose of recovery/recycling recharging equipment.

>> GO TO 5.

## 5. CONNECT RECOVERY/RECYCLING RECHARGING EQUIPMENT

1. Remove the service valve caps from the vehicle.
2. Connect recovery/recycling recharging equipment to the service valves.

>> GO TO 6.

## 6. DISCHARGE REFRIGERANT FROM THE VEHICLE

Operate recovery/recycling recharging equipment to discharge the refrigerant from the vehicle.

>> GO TO 7.

# REFRIGERANT

< PERIODIC MAINTENANCE >

---

## 7. REMOVE ANY REMAINING REFRIGERANT

---

Evacuate air for approximately 10 minutes or more to remove any remaining refrigerant integrated to the compressor oil, etc.

>> GO TO 8.

## 8. REPLACE OR REPAIR REFRIGERANT SYSTEM PARTS

---

1. Replace or repair the malfunctioning part.

**CAUTION:**

- Always use a new O-ring for the parts that the cooler system was removed.
- Apply compressor oil to the O-rings of piping when installing the piping. However, never apply it to the threads.

2. Adjust the compressor oil amount according to the replaced parts. Refer to [HA-28. "Maintenance of Lubricant Quantity"](#).

>> GO TO 9.

## 9. EVACUATE AIR FROM THE REFRIGERANT SYSTEM

---

Evacuate air from the refrigerant system for approximately 25 minutes or more.

**CAUTION:**

Evacuate air for at least approximately 15 minutes or more if the parts are replaced.

>> GO TO 10.

## 10. CHECK AIRTIGHTNESS OF REFRIGERANT SYSTEM

---

Check the airtightness of the refrigerant system for approximately 25 minutes or more.

**CAUTION:**

Check the airtightness for at least approximately 15 minutes or more if the parts are replaced.

Does the pressure decrease?

YES >> GO TO 11.

NO >> GO TO 8.

## 11. CHECK REFRIGERANT LEAKAGE

---

1. Connect refrigerant recovery/recycling recharging equipment or manifold gauge set (SST: J-39183).
2. Charge the refrigerant of approximately 200 g to the refrigerant system.
3. Check for refrigerant leakage. Refer to [HA-33. "Inspection"](#).

**NOTE:**

When using electrical leak detector (SST: J-41995). Refer to [HA-34. "Inspection"](#).

Is the inspection result normal?

YES >> GO TO 12.

NO >> Repair or replace parts according to the inspection results.

## 12. CHARGE REFRIGERANT

---

1. Connect recovery/recycling recharging equipment or manifold gauge set (SST: J-39183).
2. Evacuate air again.
3. Charge the specified amount of refrigerant to the refrigerant system.

>> GO TO 13.

## 13. CHECK REFRIGERANT LEAKAGE

---

Check for refrigerant leakage again. Refer to [HA-33. "Inspection"](#).

**NOTE:**

When using electrical leak detector (SST: J-41995). Refer to [HA-34. "Inspection"](#).

Is the inspection result normal?

YES >> GO TO 14.

NO >> GO TO 6.

# REFRIGERANT

< PERIODIC MAINTENANCE >

---

## 14.CHECK OPERATION

---

Check the A/C system for normal operation. Refer to [HA-31. "Inspection"](#).

Is the inspection result normal?

YES >> GO TO 15.

NO >> Repair or replace parts according to the inspection results.

## 15.CHECK RECOVERY/RECYCLING RECHARGING EQUIPMENT

---

1. Disconnect recovery/recycling recharging equipment or manifold gauge set (SST: J-39183).
2. Discharge the refrigerant from the high-pressure hose and low-pressure hose of the recovery/recycling recharging equipment.
3. Install the service valve caps.

>> END

A  
B  
C  
D  
E  
F  
G  
H  
J  
K  
L  
M  
N  
O  
P

HA

# LUBRICANT

< PERIODIC MAINTENANCE >

## LUBRICANT

### Maintenance of Lubricant Quantity

INFOID:000000006345396

The lubricant in the compressor circulates through the system with the refrigerant. Add lubricant to compressor when replacing any component or after a large refrigerant leakage occurred. It is important to maintain the specified amount.

The following malfunctions may result if lubricant quantity is not maintained normally:

- Lack of lubricant: May lead to a seized compressor.
- Excessive lubricant: Inadequate cooling (thermal exchange interference)

### LUBRICANT

**Name** : A/C System Oil Type S

### LUBRICANT RETURN OPERATION

Adjust the lubricant quantity according to the test group shown below.

#### 1. CHECK LUBRICANT RETURN OPERATION

Can lubricant return operation be performed?

- A/C system works normally.
- There is no evidence of a large amount of lubricant leakage.

**CAUTION:**

**Never perform the lubricant return operation if a large amount of leakage of lubricant is detected.**

Is it successful?

- YES >> GO TO 2.  
NO >> GO TO 3.

#### 2. PERFORM LUBRICANT RETURN OPERATION

1. Start the engine, and run it as following:
  - Engine speed: Idling to 1,200 rpm
  - A/C switch: ON
  - Blower speed: Max. position
  - Set temperature: FULL HOT
  - Intake position: Recirculation (REC)
2. Perform lubricant return operation for approximately 10 minutes.
3. Stop the engine.

>> GO TO 3.

#### 3. CHECK REPLACEMENT PART

Should the compressor be replaced?

- YES >> Refer to [HA-29. "Lubricant Adjusting Procedure for Compressor Replacement"](#).  
NO >> Refer to [HA-28. "Lubricant Adjusting Procedure for Components Replacement Except Compressor"](#).

### Lubricant Adjusting Procedure for Components Replacement Except Compressor

INFOID:000000006345397

Add the correct amount of lubricant to the system after replacing any of the following major components.  
Amount of lubricant to be added:

Part replaced	Lubricant to be added to system	Remarks
	Amount of lubricant m ℓ (US fl oz., Imp fl oz.)	
Evaporator	75 (2.5, 2.6)	—
Condenser	35 (1.2, 1.2)	—
Liquid tank	10 (0.3, 0.4)	—

# LUBRICANT

## < PERIODIC MAINTENANCE >

Part replaced	Lubricant to be added to system	Remarks
	Amount of lubricant m ℓ (US fl oz., Imp fl oz.)	
In case of refrigerant leakage	30 (1.0, 1.1)	Large leakage
	—	Small leakage *1

\*1: No addition of lubricant is needed if the refrigerant leakage is small.

## Lubricant Adjusting Procedure for Compressor Replacement

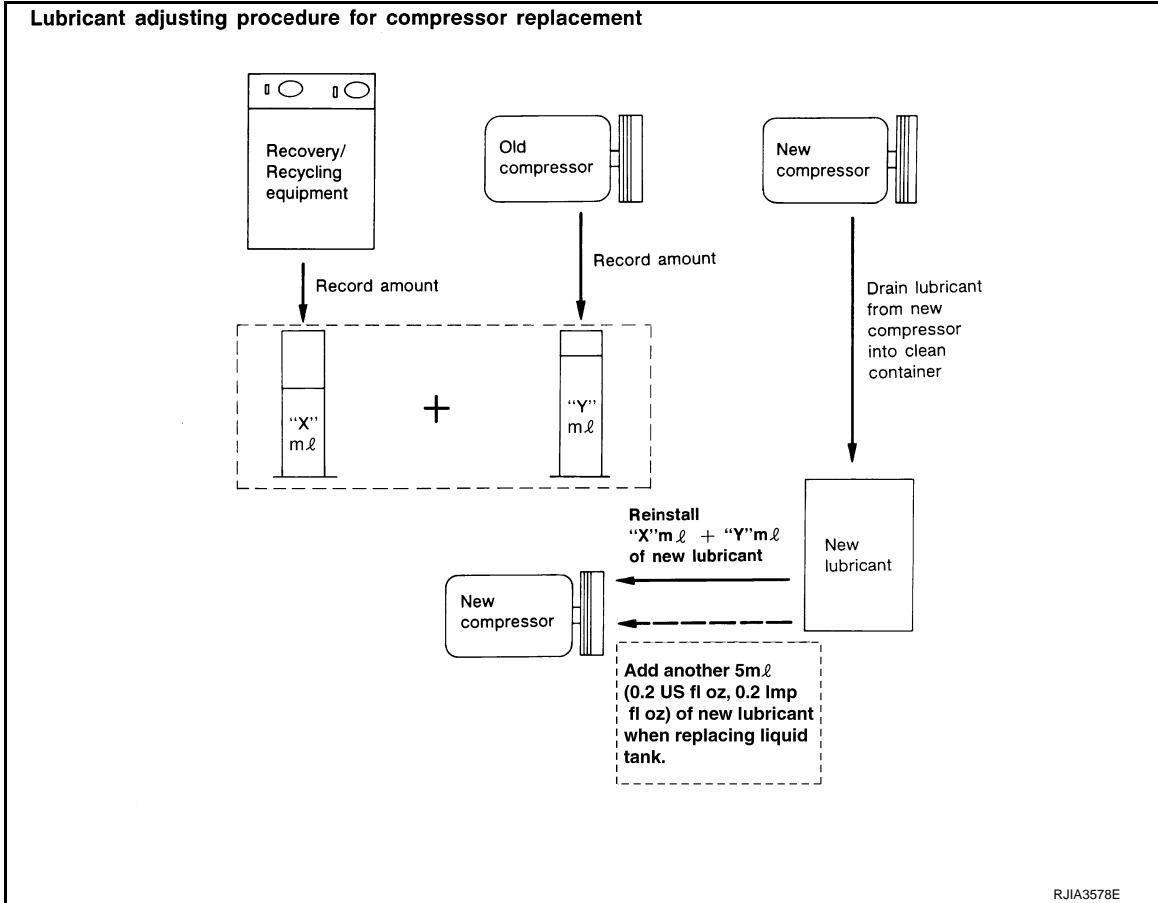
INFOID:000000006345398

1. Check recovery/recycling recharging equipment gauges before connecting recovery/recycling recharging equipment to vehicle. No refrigerant pressure should be displayed. Recover refrigerant from equipment lines if NG.
2. Connect recovery/recycling recharging equipment to vehicle. Confirm refrigerant purity in supply tank using recovery/recycling recharging equipment and refrigerant identifier. Refer to [HA-11, "Working with HFC-134a \(R-134a\)"](#) if NG.
3. Confirm refrigerant purity in vehicle A/C system using recovery/recycling recharging equipment and refrigerant identifier. If NG, refer to [HA-11, "Working with HFC-134a \(R-134a\)"](#).
4. Discharge refrigerant into the recovery/recycling recharging equipment. Measure lubricant discharged into the recovery/recycling recharging equipment.
5. Drain the lubricant from the old (removed) compressor into a graduated container and recover the amount of lubricant drained.
6. Drain the lubricant from the new compressor into a separate. Then clean container.
7. Measure an amount of new lubricant installed equal to amount drained from old compressor. Add this lubricant to new compressor through the suction port opening.
8. Measure an amount of new lubricant equal to the amount recovered during discharging. Add this lubricant to new compressor through the suction port opening.
9. Add another 5 m ℓ (0.2 US fl oz., 0.2 Imp fl oz.) of lubricant at this time if the liquid tank also needs to be replaced.

# LUBRICANT

## < PERIODIC MAINTENANCE >

Do not add this 5 mℓ (0.2 US fl oz., 0.2 Imp fl oz.) of lubricant when replacing the compressor only.



# REFRIGERATION SYSTEM

< PERIODIC MAINTENANCE >

## REFRIGERATION SYSTEM

### Inspection

INFOID:000000006345399

#### 1. CHECK BLOWER MOTOR OPERATION

Check blower motor operation. Refer to [HAC-57, "Component Function Check"](#) (Without left and right ventilation temperature separately control system) or [HAC-57, "Component Function Check"](#) (With left and right ventilation temperature separately control system).

Is the inspection result normal?

YES >> GO TO 2.

NO >> Repair or replace the parts according to the inspection results.

#### 2. CHECK COMPRESSOR OPERATION

Check compressor operation. Refer to [HAC-61, "Component Function Check"](#).

Is the inspection result normal?

YES >> GO TO 3.

NO >> Repair or replace the parts according to the inspection results.

#### 3. CHECK REFRIGERANT CYCLE PRESSURE

Connect recovery/recycling recharging equipment to the vehicle and perform the diagnosis with the gauge pressure. Refer to [HA-7, "Trouble Diagnosis For Unusual Pressure"](#).

Is the inspection result normal?

YES >> Perform the performance test. Refer to [HA-31, "Performance Chart"](#).




NO >> Repair or replace the parts according to the inspection results.

### Performance Chart

INFOID:000000006345400

#### TEST CONDITION

Testing must be performed as per the following:

Vehicle condition	Indoors or in the shade (in a well-ventilated place)
Doors	Closed
Door windows	Open
Hood	Open
Temperature control switch or dial	Max. COLD
Mode switch	 (Ventilation) set
Intake switch	 (Recirculation) set
 Fan (blower) speed	Max. speed set
Engine speed	Idle speed

Operate the air conditioning system for 10 minutes before taking measurements.

#### TEST READING

Recirculating-to-discharge Air Temperature Table

Inside air (Recirculating air) at blower assembly inlet		Discharge air temperature at center ventilator °C (°F)
Relative humidity %	Air temperature °C (°F)	
50 - 60	20 (68)	5.1 - 7.1 (41 - 45)
	25 (77)	8.4 - 10.9 (47 - 52)
	30 (86)	14.5 - 17.5 (58 - 64)
60 - 70	20 (68)	7.1 - 9.1 (45 - 48)
	25 (77)	10.9 - 13.4 (52 - 56)
	30 (86)	17.5 - 20.5 (64 - 69)

# REFRIGERATION SYSTEM

## < PERIODIC MAINTENANCE >

Ambient Air Temperature-to-operating Pressure Table

Ambient air		High-pressure (Discharge side) kPa (kg/cm <sup>2</sup> , psi)	Low-pressure (Suction side) kPa (kg/cm <sup>2</sup> , psi)
Relative humidity %	Air temperature °C (°F)		
50 - 70	20 (68)	822 - 1,010 (8.4 - 10.3, 119.2 - 146.5)	215 - 265 (2.2 - 2.7, 31.2 - 38.4)
	25 (77)	941 - 1,151 (9.6 - 11.7, 136.5 - 166.9)	198 - 240 (2.0 - 2.4, 28.7 - 34.8)
	30 (86)	1,100 - 1,348 (11.2 - 13.7, 159.5 - 195.5)	230 - 280 (2.3 - 2.9, 33.4 - 40.6)
	35 (95)	1,222 - 1,498 (12.5 - 15.3, 177.2 - 217.2)	297 - 362 (3.0 - 3.7, 43.1 - 52.5)
	40 (104)	1,445 - 1,770 (14.7 - 18.0, 209.6 - 256.7)	302 - 370 (3.1 - 3.8, 43.8 - 53.7)

### Refrigerant Leakages

INFOID:000000006345401

Perform a visual inspection of all refrigeration parts, fittings, hoses and components for signs of A/C lubricant leakage, damage and corrosion. A/C lubricant leakage may indicate an area of refrigerant leakage. Allow extra inspection time in these areas when using either an electrical leak detector or fluorescent dye leak detector [refrigerant dye leak detection kit (SST: J-43926)].

Confirm the leakage with an electrical leak detector if dye is observed. It is possible a prior leakage was repaired and not properly cleaned.

Do not stop when one leakage is found but continue checking for additional leakages at all system components and connections when searching for leakages.

Move the probe along the suspected leakage area at 1 to 2 inches per second and no further than 1/4 inch from the component when searching for refrigerant leakages using an electrical leak detector.

**CAUTION:**

**Moving the electrical leak detector probe slower and closer to the suspected leakage area improves the chances of finding a leakage.**



# FLUORESCENT LEAK DETECTOR

< PERIODIC MAINTENANCE >

## FLUORESCENT LEAK DETECTOR

### Inspection

INFOID:000000006345402

### CHECKING SYSTEM FOR LEAKAGES USING THE FLUORESCENT LEAK DETECTOR

1. Check A/C system for leakages using the UV lamp and safety goggles (SST: J-42220) in a low sunlight area (area without windows preferable). Illuminate all components, fittings and lines. The dye appears as a bright green/yellow area at the point of leakage. Fluorescent dye observed at the evaporator drain opening indicates an evaporator core assembly (tubes, core or expansion valve) leakage.
2. Use an adjustable mirror or wipe the area with a clean shop rag or cloth, with the UV lamp for dye residue if the suspected area is difficult to see.
3. Remove any residual dye using dye cleaner (SST: J-43872) to prevent future misdiagnosis after the leakage is repaired.
4. Perform a system performance check and verify the leakage repair with an approved electrical leak detector.

#### NOTE:

Other gases in the work area or substances on the A/C components, for example, anti-freeze, windshield washer fluid, solvents and lubricants, may falsely trigger the leak detector. Make sure the surfaces to be checked are clean.

Clean with a dry cloth or blow off with shop air.

Do not allow the sensor tip of the detector to contact with any substance. This may also cause false readings and may damage the detector.

### DYE INJECTION

(This procedure is only necessary when recharging the system or when the compressor has seized and was replaced.)

1. Check A/C system static (at rest) pressure. Pressure must be at least 345 kPa (3.52 kg/cm<sup>2</sup>, 50 psi).
2. Pour one bottle (1/4 ounce / 7.4 cc) of the A/C refrigerant dye into the injector tool (SST: J-41459).
3. Connect the injector tool to the A/C low-pressure side service valve.
4. Start the engine. Then switch A/C ON.
5. Inject one bottle (1/4 ounce / 7.4 cc) of fluorescent dye through the low-pressure service valve using dye injector tool (SST: J-41459) (refer to the manufacture's operating instructions) when the A/C operating (compressor running).
6. Disconnect the injector tool from the service valve with the engine still running.

#### CAUTION:

**Be careful when replacing the A/C system or a component, pour the dye directly into the open system connection and proceed with the service procedures.**

7. Operate the A/C system for a minimum of 20 minutes to mix the dye with the system oil. Depending on the leakage size, operating conditions and location of the leakage, it may take from minutes to days for the dye to penetrate a leakage and become visible.
8. Attach a blue label if necessary.

# ELECTRICAL LEAK DETECTOR

< PERIODIC MAINTENANCE >

## ELECTRICAL LEAK DETECTOR

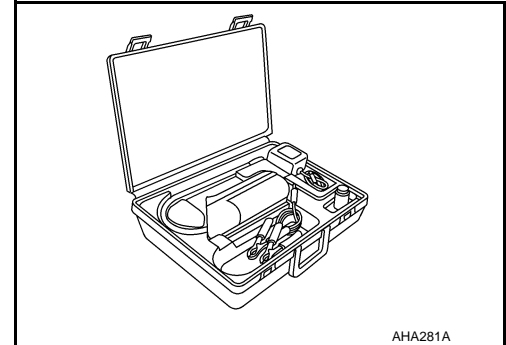
### Inspection

INFOID:000000006345403

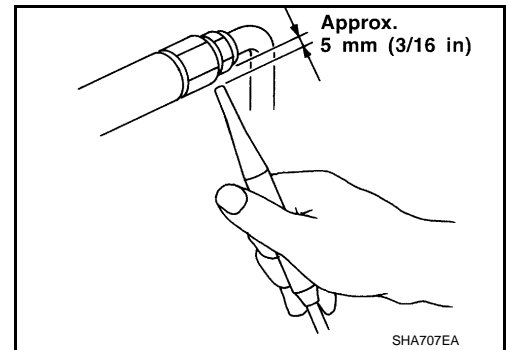
#### PRECAUTIONS FOR HANDLING LEAK DETECTOR

Use an electrical leak detector (SST: J-41995) or equivalent when performing a refrigerant leakage check. Ensure that the instrument is calibrated and set properly per the operating instructions.

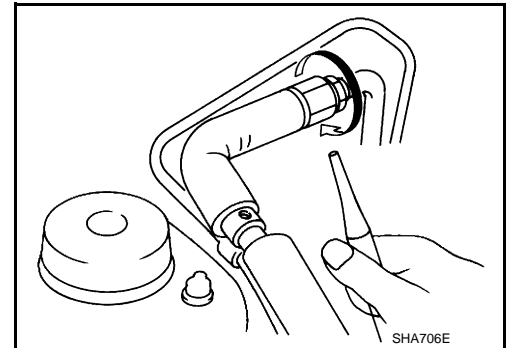
The leak detector is a delicate device. Read the operating instructions and perform any specified maintenance for using the leak detector properly.



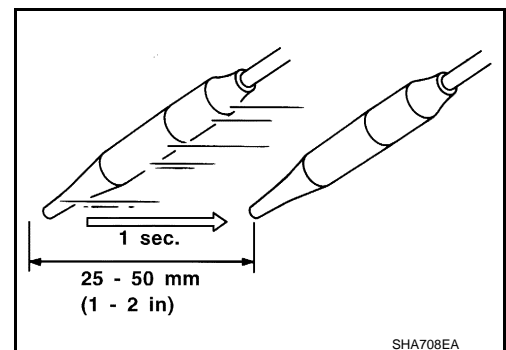
1. Position probe approximately 5 mm (3/16 in) away from point to be checked.



2. Circle each fitting completely with probe when testing.



3. Move probe along component approximately 25 to 50 mm (1 to 2 in)/sec.



#### CHECKING PROCEDURE

Check that there is no refrigerant vapor, shop chemicals, or cigarette smoke in the vicinity of the vehicle to prevent inaccurate or false readings. Perform the leakage test in calm area (low air/wind movement) so that the leaking refrigerant is not dispersed.

1. Stop the engine.

# ELECTRICAL LEAK DETECTOR

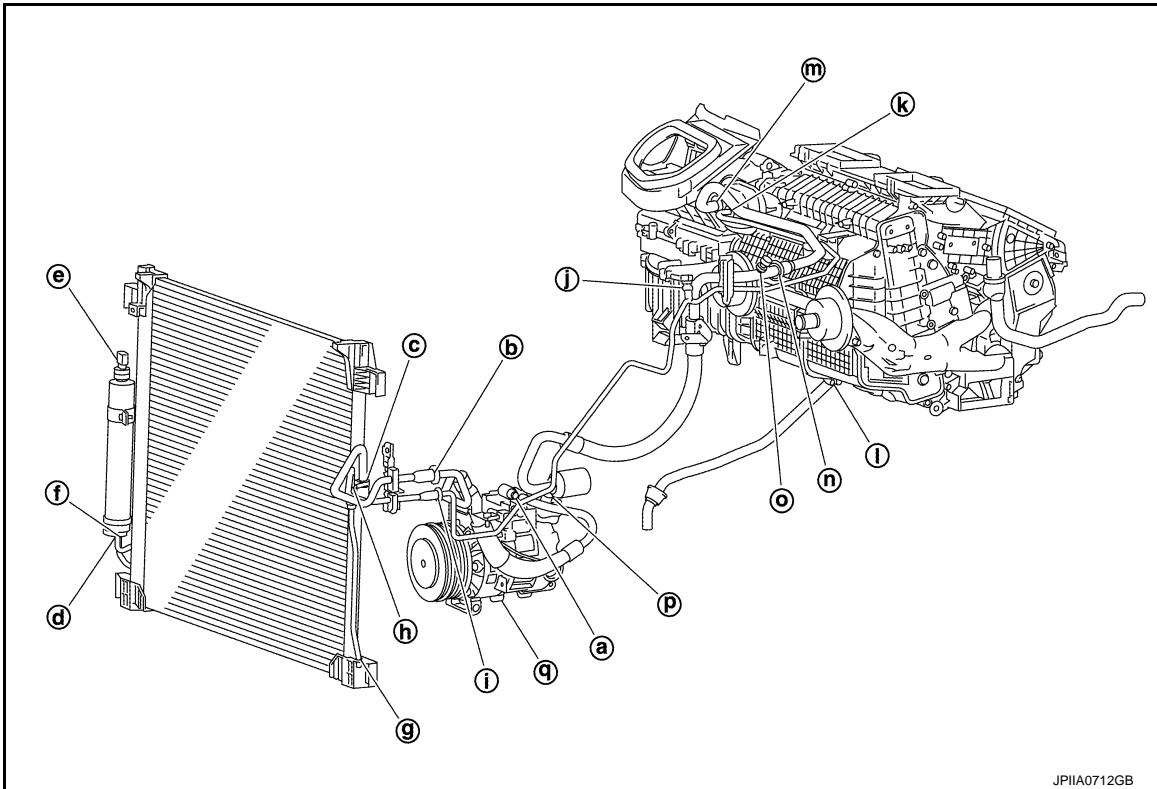
## < PERIODIC MAINTENANCE >

2. Connect a suitable manifold gauge set (SST: J-39183) to the A/C service valves.
3. Check if the A/C refrigerant pressure is at least 345 kPa (3.52 kg/cm<sup>2</sup>, 50 psi) above 16°C (61°F). Recover/evacuate and recharge the system with the specified amount of refrigerant if less than specification.

### NOTE:

Leakages may not be detected since the system may not reach 345 kPa (3.52 kg/cm<sup>2</sup>, 50 psi) at temperatures below 16°C (61°F).

4. Perform the leakage test from the high-pressure side (compressor discharge “a” to evaporator inlet “k”) to the low-pressure side (evaporator drain hose “l” to shaft seal “q”). Perform a leakage check for the following areas carefully. Clean the component to be checked and move the leakage detected probe completely around the connection/component.



○: Refrigerant leakage checking order

### Compressor

Check the fitting of high- and low-pressure flexible hoses, relief valve and shaft seal.

### Condenser

Check the fitting of condenser pipe assembly, high-pressure flexible hose and pipe.

### Liquid tank

Check the fitting of condenser and refrigerant pressure sensor.

### Service valves

Check all around the service valves. Ensure service valve caps are secured on the service valves (to prevent leakages).

### NOTE:

Wipe any residue from valves to prevent any false readings by leak detector after removing manifold gauge set (SST: J-39183) from service valves.

### Cooling unit (Evaporator)

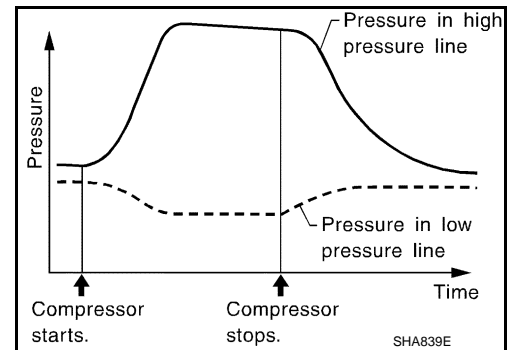
Turn blower fan on “High” for at least 15 seconds to dissipate any refrigerant trace in the cooling unit with engine OFF. Wait a minimum of 10 minutes accumulation time (refer to the manufacturer’s recommended procedure for actual wait time) before inserting the leak detector probe into the drain hose.

Keep the probe inserted for at least 10 seconds. Use caution not to contaminate the probe tip with water or dirt that may be in the drain hose.

# ELECTRICAL LEAK DETECTOR

## < PERIODIC MAINTENANCE >

5. Verify at least once by blowing compressed air into area of suspected leakage, then repeat check as outlined above if a leak detector detects a leakage.
6. Do not stop when one leakage is found. Continue checking for additional leakages at all system components.  
If no leakages are found, perform steps 7 - 10.
7. Start the engine.
8. Set the A/C control as per the following;
  - a. A/C switch: ON
  - b. Air flow: VENT (Ventilation)
  - c. Intake door position: Recirculation
  - d. Temperature setting: Max. cold
  - e. Fan speed: High
9. Run engine at 1,500 rpm for at least 2 minutes.
10. Stop the engine and perform leakage check again following steps 4 through 6 above.  
Refrigerant leakages should be checked immediately after stopping the engine. Begin with the leak detector at the compressor. The pressure on the high-pressure side drops gradually after refrigerant circulation stops and pressure on the low-pressure side rises gradually, as shown in the graph. Some leakages are more easily detected when pressure is high.



11. Check recovery/recycling recharging equipment gauges before connecting recovery/recycling recharging equipment to vehicle. No refrigerant pressure should be displayed. Recover refrigerant from equipment lines if pressure is displayed, and then check refrigerant purity.
12. Confirm refrigerant purity in supply tank using recovery/recycling recharging equipment and refrigerant identifier.
13. Confirm refrigerant purity in vehicle A/C system using recovery/recycling recharging equipment and refrigerant identifier.
14. Discharge A/C system using approved refrigerant recovery equipment. Repair the leaking fitting or component if necessary.
15. Evacuate and recharge A/C system and perform the leakage test to confirm no refrigerant leakages.
16. Perform A/C performance test to ensure system works normally.

# COMPRESSOR

< REMOVAL AND INSTALLATION >

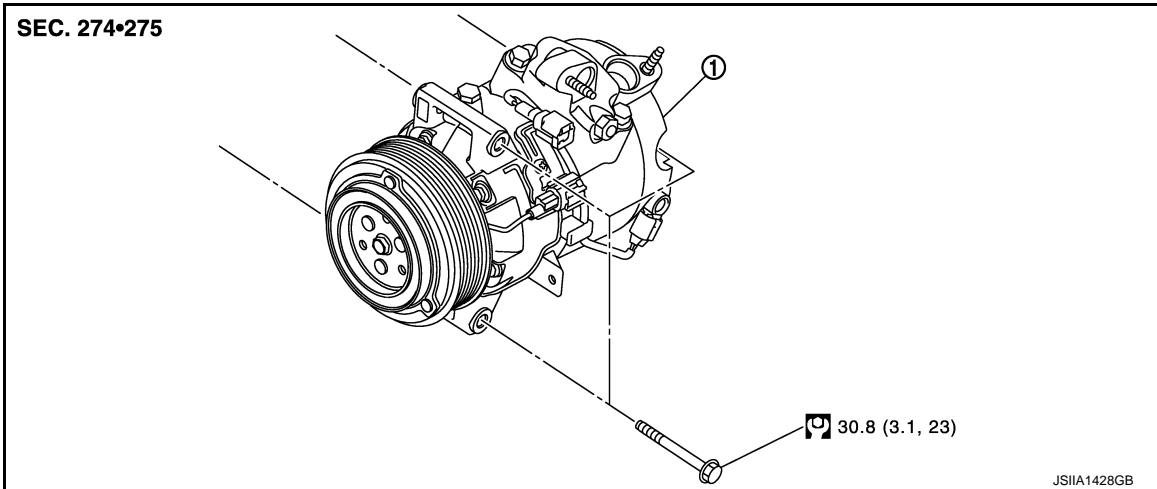
## REMOVAL AND INSTALLATION

### COMPRESSOR

Exploded View

INFOID:000000006345404

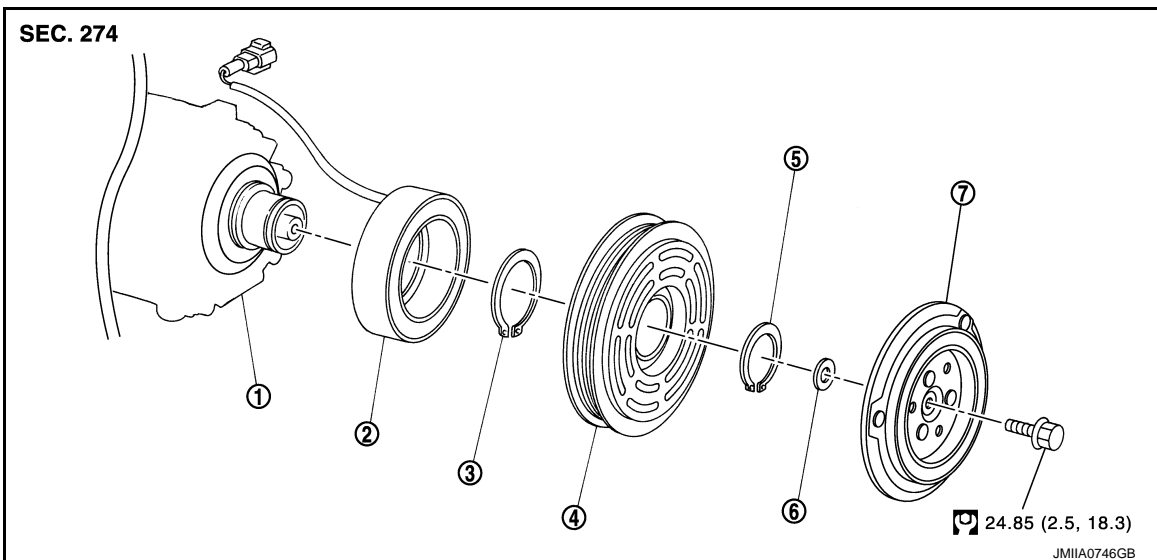
#### REMOVAL



1. Compressor

Refer to [GI-4, "Components"](#) for symbols in the figure.

#### DISASSEMBLY



1. Compressor unit

2. Field coil

3. Snap ring

4. Pulley assembly

5. Snap ring

6. Shim

7. Clutch disc

Refer to [GI-4, "Components"](#) for symbols in the figure.

## COMPRESSOR

### COMPRESSOR : Removal and Installation

INFOID:000000006345405

#### REMOVAL

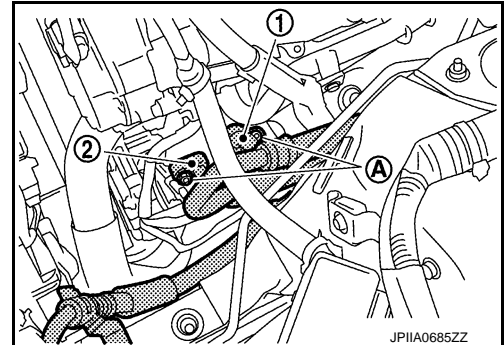
# COMPRESSOR

## < REMOVAL AND INSTALLATION >

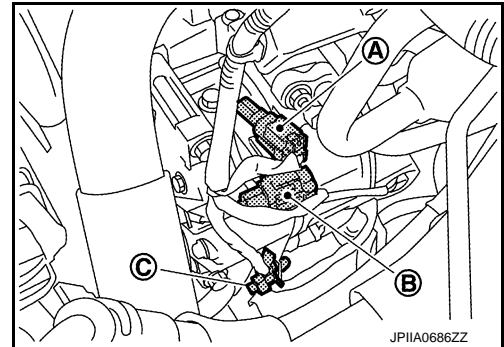
1. Use a refrigerant collecting equipment (for HFC-134a) to discharge the refrigerant.
2. Remove air cleaner case (LH) and air duct (LH). Refer to [EM-27, "Exploded View"](#).
3. Remove engine undercover, using power tools.
4. Remove cooling fan assembly. Refer to [CO-17, "Exploded View"](#).
5. Remove drive belt. Refer to [EM-13, "Removal and Installation"](#).
6. Remove mounting nuts (A) from low-pressure flexible hose (1) and high-pressure flexible hose (2).

**CAUTION:**

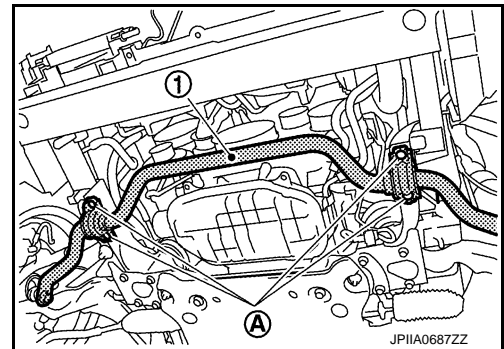
Cap or wrap the joint of the A/C piping and compressor with suitable material such as vinyl tape to avoid the entry of air.



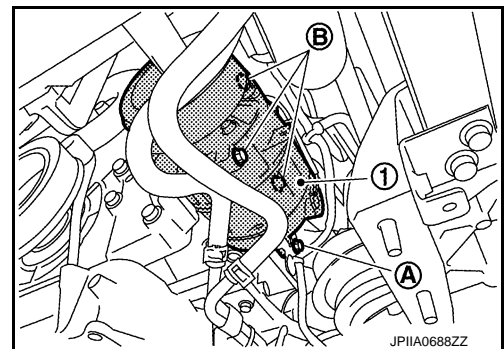
7. Disconnect compressor (ECV) connector (A).
8. Disconnect compressor (magnet clutch) connector (B).
9. Remove harness clip (C)



10. Remove mounting nuts (A), and stabilizer (1) a position without the hindrance for work.



11. Remove mounting bolts (A), and then remove harness bracket.
12. Remove mounting bolts (B) from compressor (1), using power tools.
13. Remove compressor downward of the vehicle.



## INSTALLATION

Installation is basically the reverse order of removal.

**CAUTION:**

- Replace O-rings with new ones. Then apply compressor oil to them when installing.
- Check for leakages when recharging refrigerant.
- Check tension of the drive belt after installing compressor. Refer to [EM-13, "Checking"](#).

# COMPRESSOR

## < REMOVAL AND INSTALLATION >

- Tighten each cooler hose or pipe to specified torque. Refer to [HA-41, "Exploded View"](#).

## MAGNET CLUTCH

### MAGNET CLUTCH : Removal and Installation of Compressor Clutch

INFOID:000000006345406

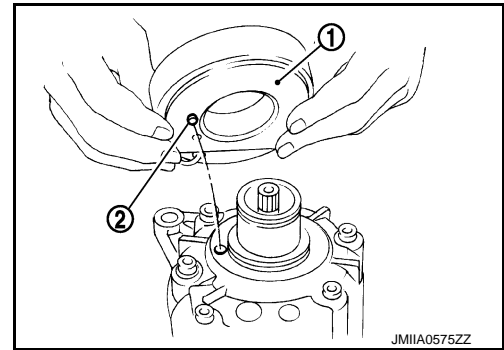
#### REMOVAL

##### Overhaul

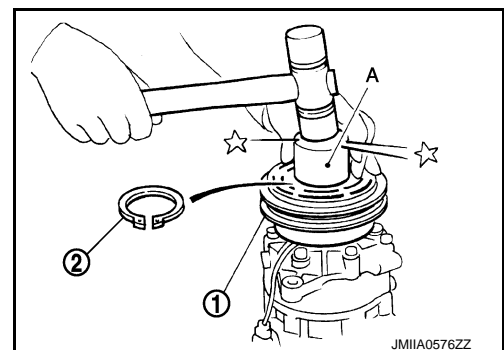
1. Fix clutch disc.
2. Remove center bolt, and then remove clutch disc.
3. Remove snap ring using external snap ring pliers.
4. Position center pulley puller on the end of the drive shaft, and remove pulley assembly using any commercially available pulley puller.  
To prevent pulley groove from being deformed, puller claws should be positioned into the edge of the pulley assembly.
5. Disconnect field coil harness connector from compressor unit.
6. Remove snap ring using external snap ring pliers, and then remove field coil.

#### INSTALLATION

1. Install field coil (1).  
Be sure to align the coil's pin (2) with the hole in the compressor's front head.
2. Connect field coil harness connector to compressor unit.



3. Install pulley assembly (1) using pulley installer (SST:J-41260) (A) and a hand press, and then install snap ring (2) using snap ring pliers.



4. Install clutch disc on drive shaft, together with original shim(s). Press clutch disc down by hand.
5. Tighten center bolt to the specified torque while fixing clutch disc not to rotate.  
After tightening the bolt, check that the pulley rotates smoothly.

#### Break-in Operation

When replacing compressor clutch assembly, always perform the break-in operation, by engaging and disengaging the clutch approximately 30-times. Break-in operation increases the level of transmitted torque.

#### Inspection

INFOID:000000006345407

#### CHECK DISC TO PULLEY CLEARANCE

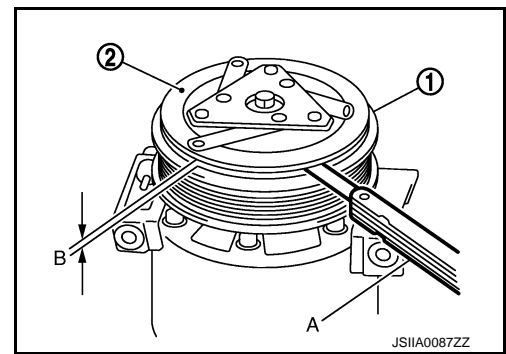
# COMPRESSOR

## < REMOVAL AND INSTALLATION >

Check the clearance (B) between pulley assembly (1) and clutch disc (2) along the entire periphery with a feeler gauge (A).

**Standard** : Refer to [HA-57. "Compressor"](#).

Replace compressor if specified clearance is not obtained.





# COOLER PIPE AND HOSE

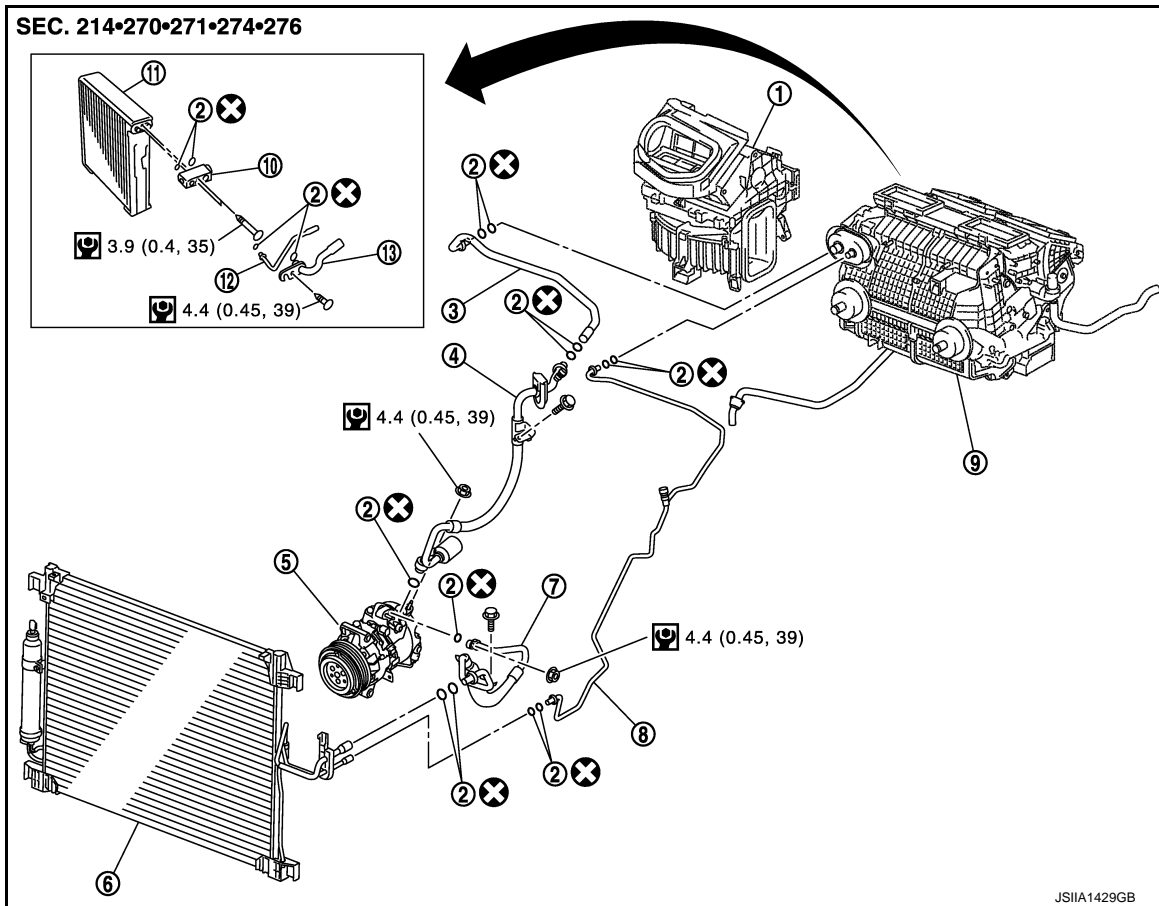
< REMOVAL AND INSTALLATION >

## COOLER PIPE AND HOSE

### Exploded View

INFOID:000000006345408

Refer to [HA-12, "Refrigerant Connection"](#).



- |                                |                         |                                   |
|--------------------------------|-------------------------|-----------------------------------|
| 1. Blower unit                 | 2. O-ring               | 3. Low-pressure pipe 2            |
| 4. Low-pressure flexible hose  | 5. Compressor           | 6. Condenser                      |
| 7. High-pressure flexible hose | 8. High-pressure pipe 1 | 9. Heater & cooling unit assembly |
| 10. Expansion valve            | 11. Evaporator          | 12. High-pressure pipe 2          |
| 13. Low-pressure pipe 1        |                         |                                   |

Refer to [GI-4, "Components"](#) for symbols in the figure.

## LOW-PRESSURE FLEXIBLE HOSE

### LOW-PRESSURE FLEXIBLE HOSE : Removal and Installation

INFOID:000000006345409

#### REMOVAL

1. Use a refrigerant collecting equipment (for HFC-134a) to discharge the refrigerant.
2. Remove engine cover. Refer to [EM-25, "Exploded View"](#).
3. Remove air cleaner case (LH) and air duct (LH). Refer to [EM-27, "Exploded View"](#).
4. Remove cowl top cover. Refer to [EXT-22, "Exploded View"](#).

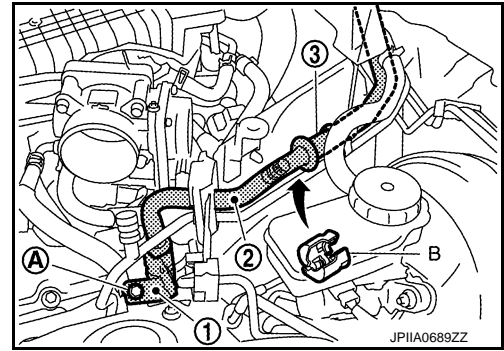
# COOLER PIPE AND HOSE

## < REMOVAL AND INSTALLATION >

5. Remove mounting bolt (A) from low-pressure flexible hose bracket (1).
6. Disconnect one-touch joint between low-pressure flexible hose (2) and low-pressure pipe 2 (3) with disconnecter (B) (SST: J-45815).

**CAUTION:**

Cap or wrap the joint of the A/C piping with suitable material such as vinyl tape to avoid the entry of air.

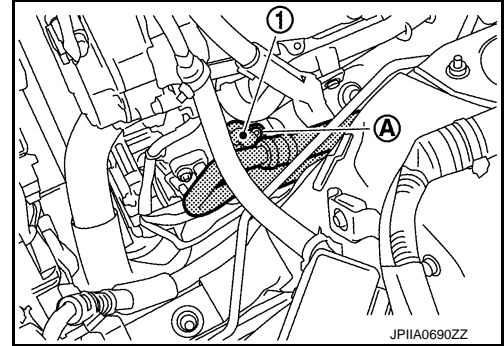


7. Remove mounting nut (A) from low-pressure flexible hose (1).

**CAUTION:**

Cap or wrap the joint of the A/C piping and compressor with suitable material such as vinyl tape to avoid the entry of air.

8. Remove low-pressure flexible hose.



## INSTALLATION

Installation is basically the reverse order of removal.

**CAUTION:**

- Replace O-rings with new ones. Then apply compressor oil to them when installing.
- Female-side piping connection is thin and easy to deform. Slowly insert the male-side piping straight in axial direction.
- Insert piping securely until a click is heard.
- After piping connection is completed, pull male-side piping by hand to make sure that connection does not come loose.
- Check for leakages when recharging refrigerant.

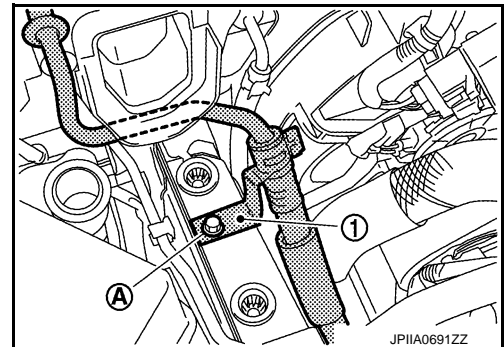
## HIGH-PRESSURE FLEXIBLE HOSE

### HIGH-PRESSURE FLEXIBLE HOSE : Removal and Installation

INFOID:000000006345410

#### REMOVAL

1. Use a refrigerant collecting equipment (for HFC-134a) to discharge the refrigerant.
2. Remove engine cover. Refer to [EM-25. "Exploded View"](#).
3. Remove air cleaner case (LH) and air duct (LH). Refer to [EM-27. "Exploded View"](#).
4. Remove mounting bolt (A) from high-pressure flexible hose bracket (1).



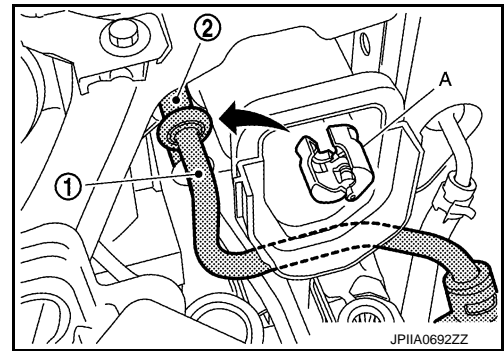
# COOLER PIPE AND HOSE

## < REMOVAL AND INSTALLATION >

5. Disconnect one-touch joint between high-pressure flexible hose (1) and condenser pipe assembly (2) with disconnecter (A) (SST: J-45815).

**CAUTION:**

Cap or wrap the joint of the A/C piping with suitable material such as vinyl tape to avoid the entry of air.

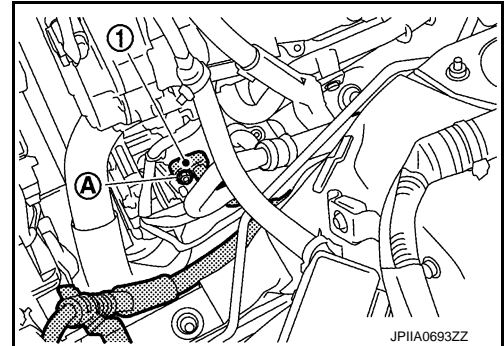


6. Remove mounting nut (A) from high-pressure flexible hose (1).

**CAUTION:**

Cap or wrap the joint of the A/C piping and compressor with suitable material such as vinyl tape to avoid the entry of air.

7. Remove high-pressure flexible hose.



## INSTALLATION

Installation is basically the reverse order of removal.

**CAUTION:**

- Replace O-rings with new ones. Then apply compressor oil to them when installing.
- Female-side piping connection is thin and easy to deform. Slowly insert the male-side piping straight in axial direction.
- Insert piping securely until a click is heard.
- After piping connection is completed, pull male-side piping by hand to make sure that connection does not come loose.
- Check for leakages when recharging refrigerant.

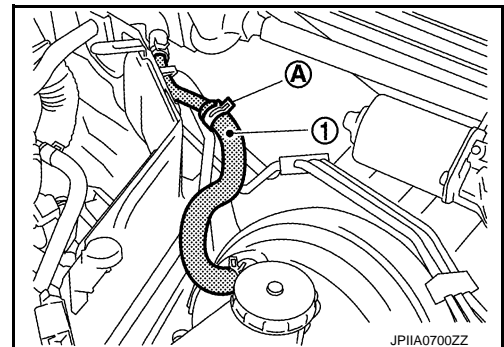
## HIGH-PRESSURE PIPE 1

### HIGH-PRESSURE PIPE 1 : Removal and Installation

INFOID:000000006345411

## REMOVAL

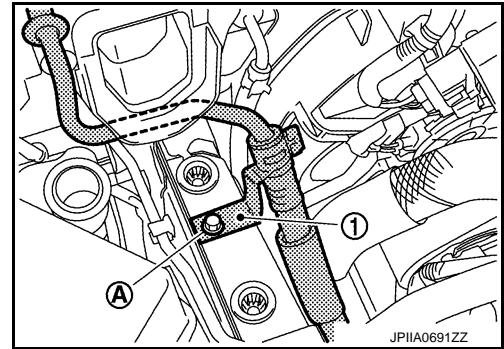
1. Remove low-pressure flexible hose. Refer to [HA-41. "Exploded View"](#).
2. Remove low-pressure pipe 2. Refer to [HA-41. "Exploded View"](#).
3. Remove clamp (A), and then disconnect vacuum hose (1). Refer to [BR-32. "Exploded View"](#).



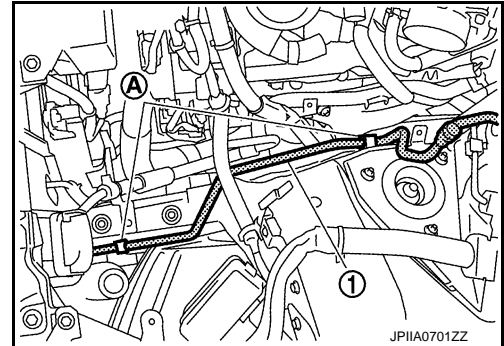
## COOLER PIPE AND HOSE

### < REMOVAL AND INSTALLATION >

4. Remove mounting bolt (A) from high-pressure flexible hose bracket (1).



5. Remove high-pressure pipe 1 (1) from vehicle clips (A).



6. Disconnect one-touch joint between high-pressure flexible hose (1) and condenser pipe assembly (3) with disconnecter (A) (SST: J-45815).

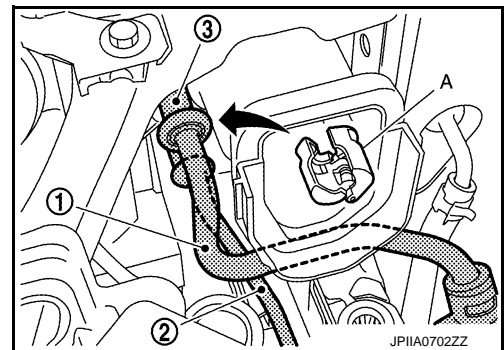
**CAUTION:**

Cap or wrap the joint of the A/C piping with suitable material such as vinyl tape to avoid the entry of air.

7. Disconnect one-touch joint between high-pressure pipe 1 (2) and condenser pipe assembly with disconnecter (SST: J-45815).

**CAUTION:**

Cap or wrap the joint of the A/C piping with suitable material such as vinyl tape to avoid the entry of air.

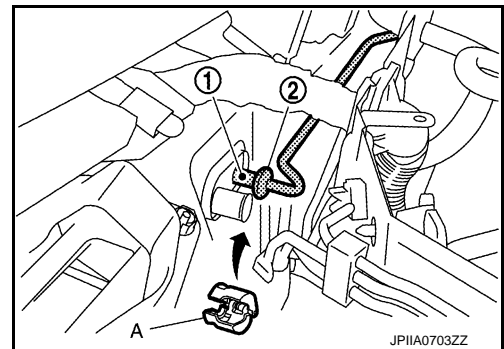


8. Disconnect one-touch joint between high-pressure pipe 1 (1) and high-pressure pipe 2 (2) with disconnecter (A) (SST: J-45815).

**CAUTION:**

Cap or wrap the joint of the A/C piping with suitable material such as vinyl tape to avoid the entry of air.

9. Remove high-pressure pipe 1.



### INSTALLATION

Installation is basically the reverse order of removal.

**CAUTION:**

- Replace O-rings with new ones. Then apply compressor oil to them when installing.
- Female-side piping connection is thin and easy to deform. Slowly insert the male-side piping straight in axial direction.
- Insert piping securely until a click is heard.
- After piping connection is completed, pull male-side piping by hand to make sure that connection does not come loose.
- Check for leakages when recharging refrigerant.

### LOW-PRESSURE PIPE 2

# COOLER PIPE AND HOSE

< REMOVAL AND INSTALLATION >

## LOW-PRESSURE PIPE 2 : Removal and Installation

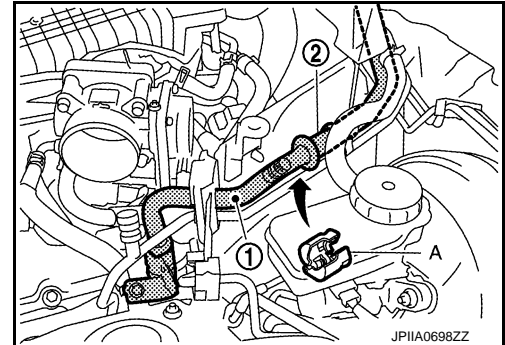
INFOID:000000006345412

### REMOVAL

1. Use a refrigerant collecting equipment (for HFC-134a) to discharge the refrigerant.
2. Remove cowl top cover. Refer to [EXT-22, "Exploded View"](#).
3. Disconnect one-touch joint between low-pressure flexible hose (1) and low-pressure pipe 2 (2) with disconnecter (A) (SST: J-45815).

**CAUTION:**

Cap or wrap the joint of the A/C piping with suitable material such as vinyl tape to avoid the entry of air.

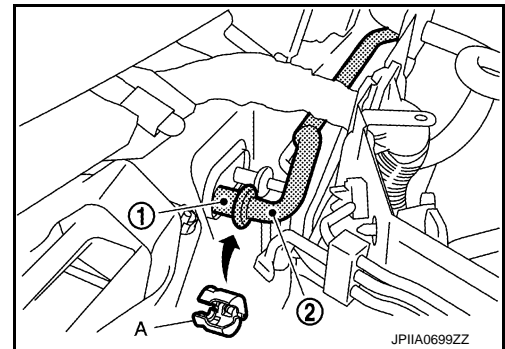


4. Disconnect one-touch joint between low-pressure pipe 1 (1) and low-pressure pipe 2 (2) with disconnecter (A) (SST: J-45815).

**CAUTION:**

Cap or wrap the joint of the A/C piping with suitable material such as vinyl tape to avoid the entry of air.

5. Remove low-pressure pipe 2.



### INSTALLATION

Installation is basically the reverse order of removal.

**CAUTION:**

- Replace O-rings with new ones. Then apply compressor oil to them when installing.
- Female-side piping connection is thin and easy to deform. Slowly insert the male-side piping straight in axial direction.
- Insert piping securely until a click is heard.
- After piping connection is completed, pull male-side piping by hand to make sure that connection does not come loose.
- Check for leakages when recharging refrigerant.

## LOW-PRESSURE PIPE 1 AND HIGH-PRESSURE PIPE 2

### LOW-PRESSURE PIPE 1 AND HIGH-PRESSURE PIPE 2 : Removal and Installation

INFOID:000000006345413

### REMOVAL

1. Set the temperature at 18°C (64°F).

**CAUTION:**

The angle may be out, when installing the air mix door motor to the air mix door, unless the above procedure is performed.

2. Disconnect the battery cable from the negative terminal.
3. Use a refrigerant collecting equipment (for HFC-134a) to discharge the refrigerant.
4. Remove cowl top cover. Refer to [EXT-22, "Exploded View"](#).

## COOLER PIPE AND HOSE

### < REMOVAL AND INSTALLATION >

5. Disconnect one-touch joint between low-pressure pipe 1 (1) and low-pressure pipe 2 (2) with disconnecter (SST: J-45815) (A).

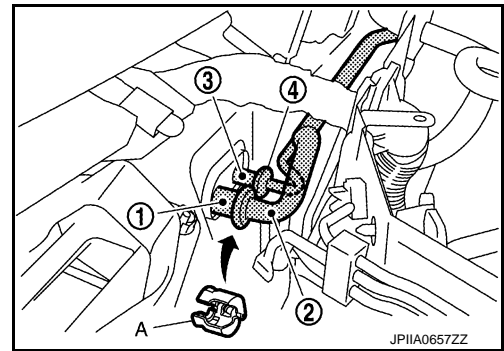
**CAUTION:**

Cap or wrap the joint of the A/C piping with suitable material such as vinyl tape to avoid the entry of air.

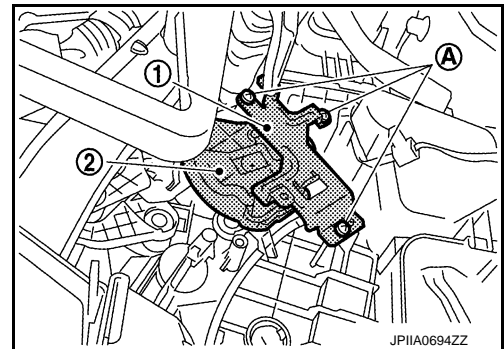
6. Disconnect one-touch joints between high-pressure pipe 1 (4) and high-pressure pipe 2 (3) with disconnecter (SST: J-45815).

**CAUTION:**

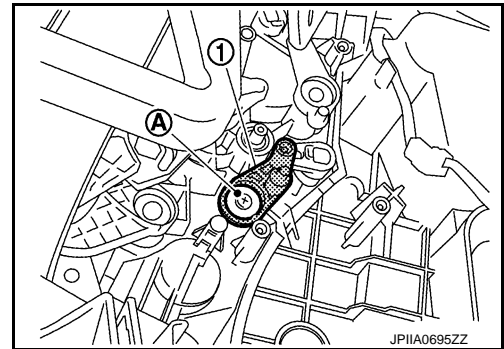
Cap or wrap the joint of the A/C piping with suitable material such as vinyl tape to avoid the entry of air.



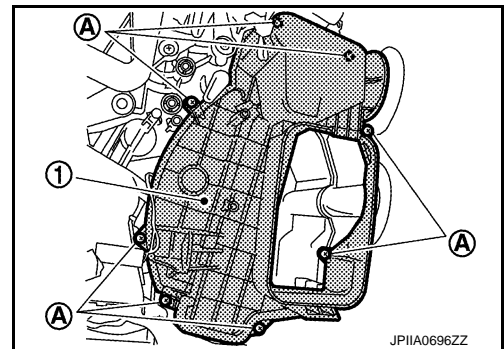
7. Remove blower unit. Refer to [VTL-21, "Exploded View"](#).
8. Remove foot grille (right). Refer to [VTL-13, "Exploded View"](#).
9. Remove air mix door motor (passenger side). Refer to [HAC-135, "Exploded View"](#).
10. Remove mode door motor. Refer to [HAC-135, "Exploded View"](#).
11. Remove mounting screws (A), and then remove bracket (1). Refer to [HAC-135, "Exploded View"](#).
12. Remove main link (2). Refer to [HAC-135, "Exploded View"](#).



13. Remove mounting screw (A), and then remove max. cool door link. Refer to [HAC-135, "Exploded View"](#).



14. Remove mounting screws (A), and then remove evaporator cover (1).



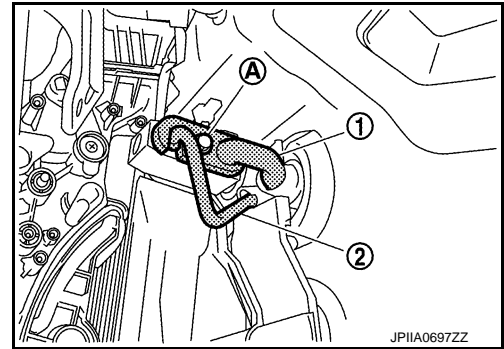
## COOLER PIPE AND HOSE

### < REMOVAL AND INSTALLATION >

15. Remove mounting bolt (A), and then remove low-pressure pipe 1 (1) and high-pressure pipe 2 (2).

**CAUTION:**

Cap or wrap the joint of the A/C piping and expansion valve with suitable material such as vinyl tape to avoid the entry of air.



### INSTALLATION

Installation is basically the reverse order of removal.

**CAUTION:**

- Replace O-rings with new ones. Then apply compressor oil to them when installing.
- Female-side piping connection is thin and easy to deform. Slowly insert the male-side piping straight in axial direction.
- Insert piping securely until a click is heard.
- After piping connection is completed, pull male-side piping by hand to make sure that connection does not come loose.
- Check for leakages when recharging refrigerant.

A  
B  
C  
D  
E  
F  
G  
H  
HA  
J  
K  
L  
M  
N  
O  
P

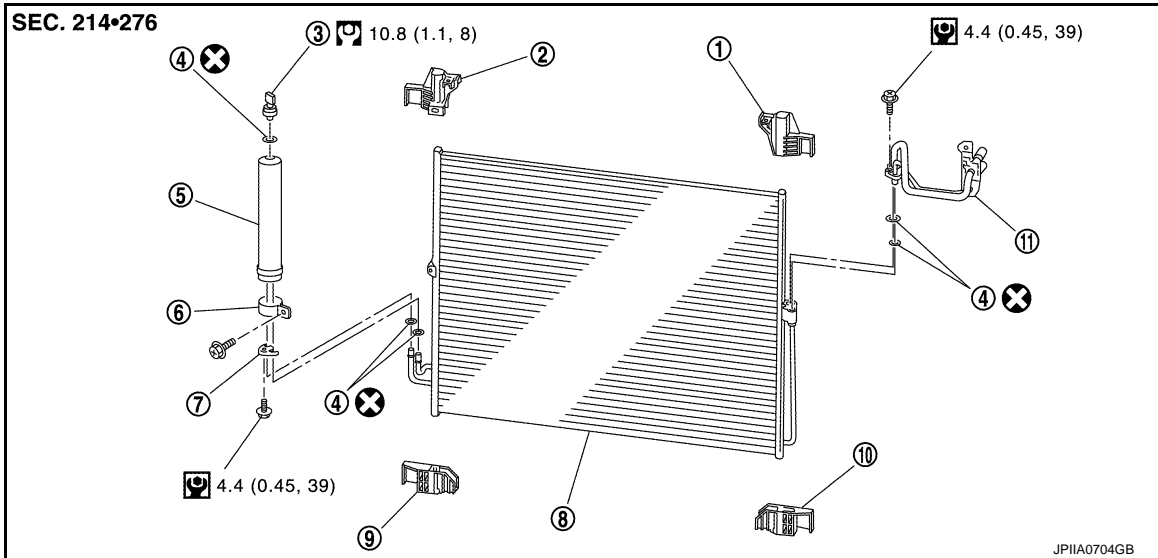
# CONDENSER

< REMOVAL AND INSTALLATION >

## CONDENSER

### Exploded View

INFOID:000000006345414



- |                                    |                                    |                                    |
|------------------------------------|------------------------------------|------------------------------------|
| 1. Condenser upper bracket (left)  | 2. Condenser upper bracket (right) | 3. Refrigerant pressure sensor     |
| 4. O-ring                          | 5. Liquid tank                     | 6. Liquid tank bracket             |
| 7. Bracket                         | 8. Condenser                       | 9. Condenser lower bracket (right) |
| 10. Condenser lower bracket (left) | 11. Condenser pipe assembly        |                                    |

Refer to [GI-4, "Components"](#) for symbols in the figure.

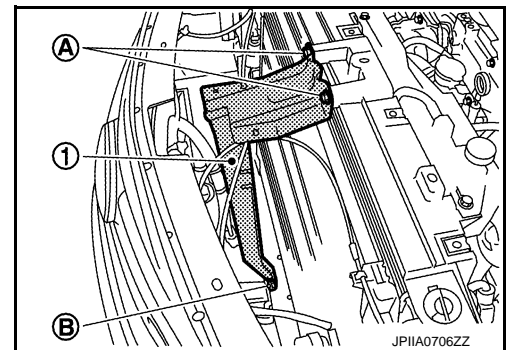
## CONDENSER

### CONDENSER : Removal and Installation

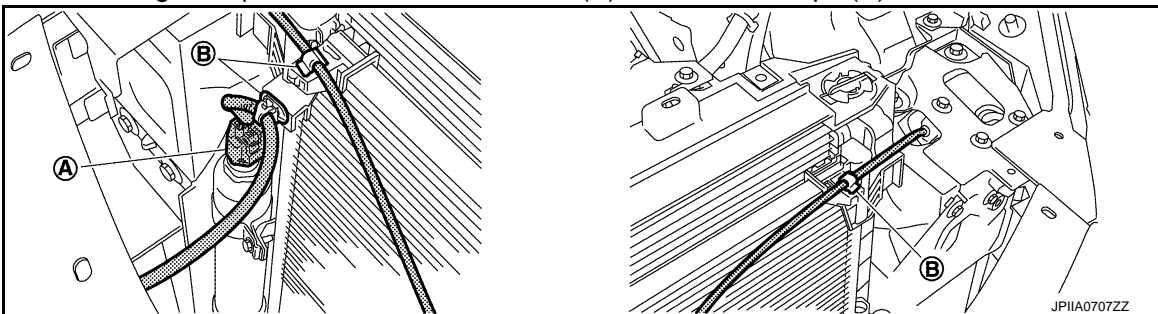
INFOID:000000006345415

#### REMOVAL

1. Remove condenser pipe assembly. Refer to [HA-48, "Exploded View"](#).
2. Remove mounting bolts (A) and nut (B), and then remove radiator core support bracket (1).



3. Disconnect refrigerant pressure sensor connector (A) and harness clips (B).





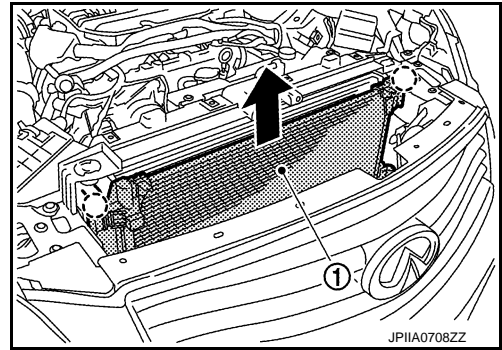
# CONDENSER

## < REMOVAL AND INSTALLATION >

4. Pull condenser (1) upward of vehicle, and then remove condenser (as shown in the figure).

**CAUTION:**

Be careful not to damage core surface of condenser.



## INSTALLATION

Installation is basically the reverse order of removal.

**CAUTION:**

- Replace O-rings with new ones. Then apply compressor oil to them when installing.
- Female-side piping connection is thin and easy to deform. Slowly insert the male-side piping straight in axial direction.
- Insert piping securely until a click is heard.
- After piping connection is completed, pull male-side piping by hand to make sure that connection does not come loose.
- Check for leakages when recharging refrigerant.

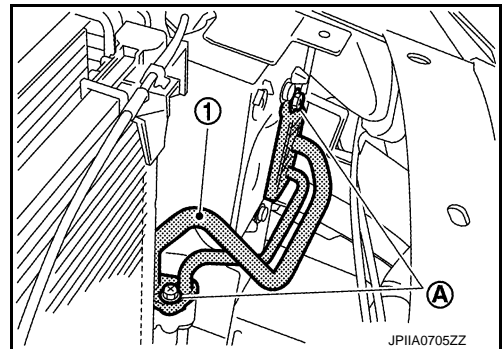
## CONDENSER PIPE ASSEMBLY

### CONDENSER PIPE ASSEMBLY : Removal and Installation

INFOID:000000006345416

## REMOVAL

1. Use a refrigerant collecting equipment (for HFC-134a) to discharge the refrigerant.
2. Remove air cleaner case (LH) and air duct (LH). Refer to [EM-27, "Exploded View"](#).
3. Remove hood lock cover. Refer to [DLK-226, "Exploded View"](#).
4. Remove horn. Refer to [HRN-7, "Exploded View"](#).
5. Remove mounting bolt (A) from condenser pipe assembly (1).



6. Disconnect one-touch joint between high-pressure flexible hose (1) and condenser pipe assembly (3) with disconnecter (A) (SST: 9253089912).

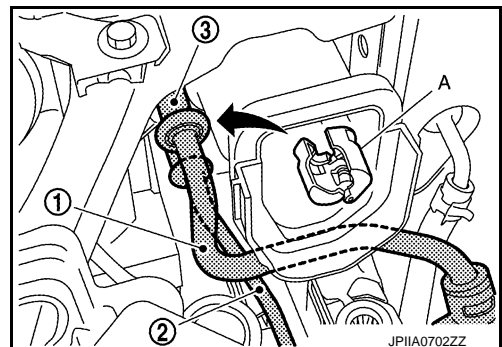
**CAUTION:**

Cap or wrap the joint of the A/C piping with suitable material such as vinyl tape to avoid the entry of air.

7. Disconnect one-touch joints between high-pressure pipe 1 (2) and condenser pipe assembly with disconnecter (A) (SST: 9253089908).

**CAUTION:**

Cap or wrap the joint of the A/C piping with suitable material such as vinyl tape to avoid the entry of air.



## INSTALLATION

A  
B  
C  
D  
E  
F  
G  
H  
HA  
J  
K  
L  
M  
N  
O  
P

# CONDENSER

## < REMOVAL AND INSTALLATION >

Installation is basically the reverse order of removal.

### CAUTION:

- Replace O-rings with new ones. Then apply compressor oil to them when installing.
- Female-side piping connection is thin and easy to deform. Slowly insert the male-side piping straight in axial direction.
- Insert piping securely until a click is heard.
- After piping connection is completed, pull male-side piping by hand to make sure that connection does not come loose.
- Check for leakages when recharging refrigerant.

## LIQUID TANK

### LIQUID TANK : Removal and Installation

INFOID:00000006345417

#### REMOVAL

1. Use a refrigerant collecting equipment (for HFC-134a) to discharge the refrigerant.
2. Remove hood lock cover. Refer to [DLK-226. "Exploded View"](#).
3. Clean liquid tank and its surrounding area. Then remove dust and rust from liquid tank.

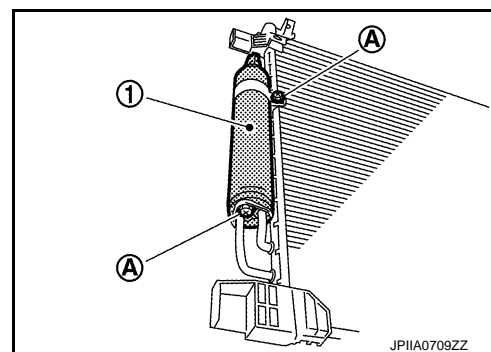
### CAUTION:

**Be sure to clean carefully.**

4. Remove mounting bolts (A) from liquid tank (1).
5. Remove liquid tank.

### CAUTION:

**Cap or wrap the joint of the A/C piping and liquid tank with suitable material such as vinyl tape to avoid the entry of air.**



#### INSTALLATION

Install liquid tank, and then install liquid tank bracket on condenser.

### CAUTION:

- Check that liquid tank bracket is securely installed at protrusion of condenser. (Check that liquid tank bracket does not move to a position below center of liquid tank.)
- Replace O-rings of the A/C piping with new ones. Then apply compressor oil to them when installing.
- Check for leakages when recharging refrigerant.

# HEATER & COOLING UNIT ASSEMBLY

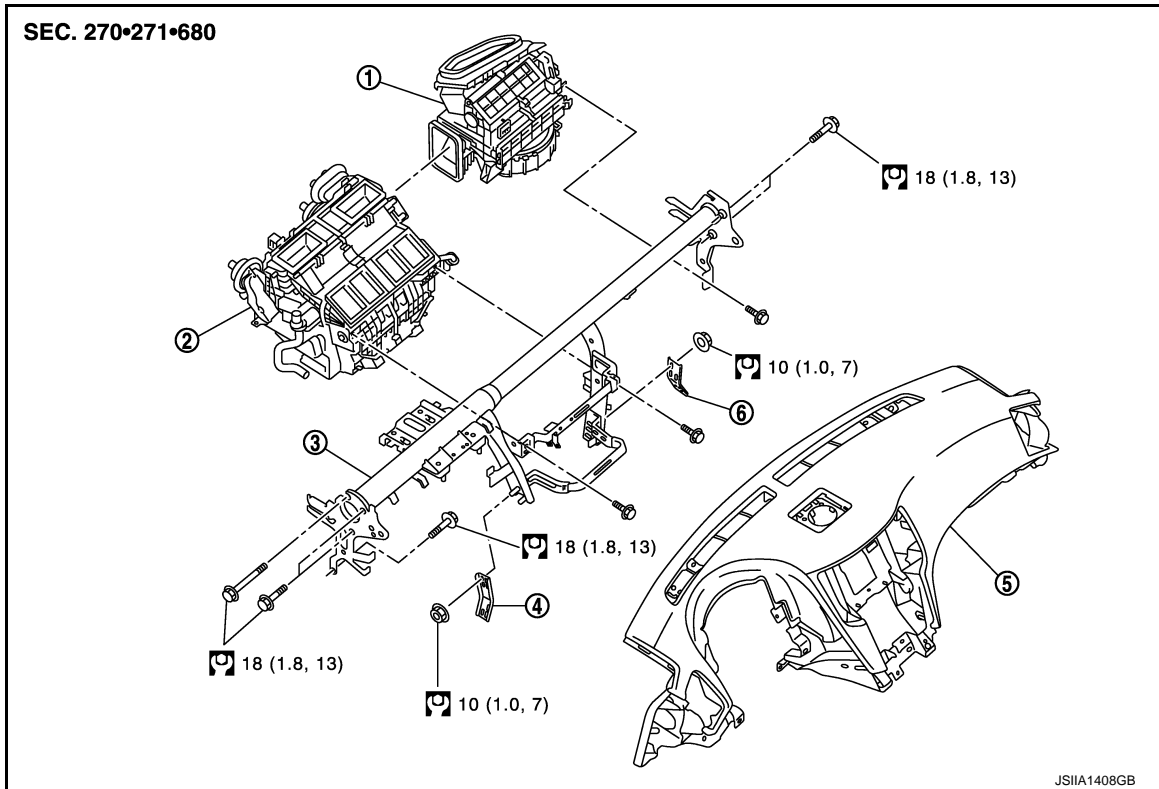
< REMOVAL AND INSTALLATION >

## HEATER & COOLING UNIT ASSEMBLY

Exploded View

INFOID:000000006345418

REMOVAL



- |                           |                                   |                            |
|---------------------------|-----------------------------------|----------------------------|
| 1. Blower unit            | 2. Heater & cooling unit assembly | 3. Steering member         |
| 4. Instrument stay (left) | 5. Instrument panel assembly      | 6. Instrument stay (right) |

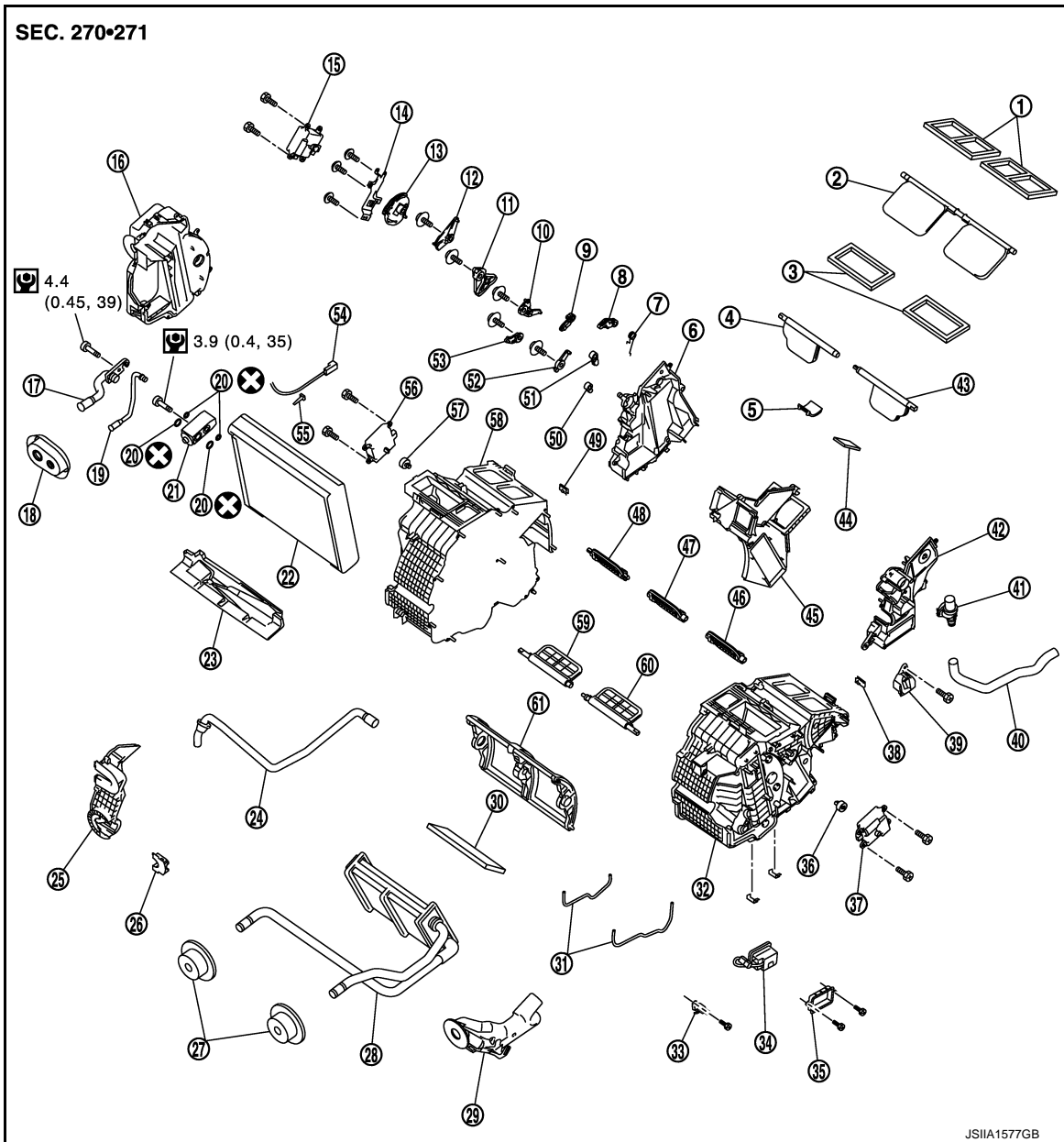
Refer to [GI-4, "Components"](#) for symbols in the figure.

DISASSEMBLY

A  
B  
C  
D  
E  
F  
G  
H  
HA  
J  
K  
L  
M  
N  
O  
P

# HEATER & COOLING UNIT ASSEMBLY

< REMOVAL AND INSTALLATION >



- |                                      |                                       |                              |
|--------------------------------------|---------------------------------------|------------------------------|
| 1. Ventilator seal                   | 2. Ventilator door                    | 3. Defroster seal            |
| 4. Defroster door (right)            | 5. Packing                            | 6. Foot duct (right)         |
| 7. Ventilator door spring            | 8. Ventilator door lever              | 9. Foot door lever           |
| 10. Foot door link                   | 11. Main link sub                     | 12. Ventilator door link     |
| 13. Main link                        | 14. Mode door motor bracket           | 15. Mode door motor          |
| 16. Evaporator cover                 | 17. Low-pressure pipe 1               | 18. Cooler pipe grommet      |
| 19. High-pressure pipe 2             | 20. O-ring                            | 21. Expansion valve          |
| 22. Evaporator                       | 23. Insulator                         | 24. Drain hose               |
| 25. Evaporator cover adapter         | 26. Heater pipe bracket               | 27. Heater pipe grommet      |
| 28. Heater core                      | 29. Heater pipe cover                 | 30. Packing                  |
| 31. Case packing                     | 32. Heater & cooling unit case (left) | 33. Ionizer harness bracket* |
| 34. Ionizer*                         | 35. Ionizer bracket*                  | 36. Air mix door adapter     |
| 37. Air mix door motor (driver side) | 38. J-nut                             | 39. Front heater duct        |
| 40. Aspirator hose                   | 41. Aspirator                         | 42. Foot duct (left)         |
| 43. Defroster door (left)            | 44. Packing                           | 45. Center case              |
| 46. Foot door (left)                 | 47. Rear ventilator door              | 48. Foot door (right)        |

# HEATER & COOLING UNIT ASSEMBLY

## < REMOVAL AND INSTALLATION >

- |  |   |                           |
|--|---|---------------------------|
| 49. J-nut                              | 50. Max. cool door lever                | 51. Defroster door lever  |
| 52. Defroster door link                | 53. Max. cool door link                 | 54. Intake sensor         |
| 55. Intake sensor bracket              | 56. Air mix door motor (passenger side) | 57. Air mix door adapter  |
| 58. Heater & cooling unit case (right) | 59. Max. cool door (right)              | 60. Max. cool door (left) |
| 61. Air mix door (Slide door)          |   |                           |

\*: With ACCS

Refer to [GI-4. "Components"](#) for symbols in the figure.

## HEATER & COOLING UNIT ASSEMBLY

### HEATER & COOLING UNIT ASSEMBLY : Removal and Installation

INFOID:000000006345419

#### REMOVAL

1. Use a refrigerant collecting equipment (for HFC-134a) to discharge the refrigerant.
2. Drain engine coolant from cooling system. Refer to [CO-7. "Draining"](#).
3. Remove cowl top cover. Refer to [EXT-22. "Exploded View"](#).
4. Remove engine cover. Refer to [EM-25. "Exploded View"](#).
5. Disconnect one-touch joint between low-pressure pipe 1 (1) and low-pressure pipe 2 (2) with disconnecter (SST: J-45815) (A).

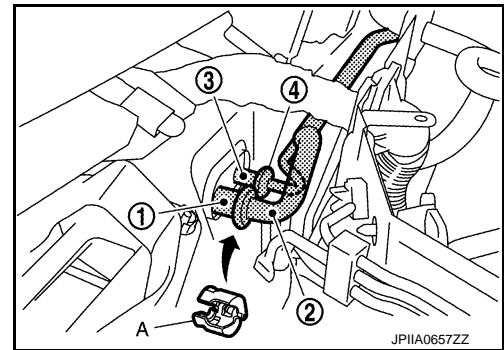
**CAUTION:**

Cap or wrap the joint of the A/C piping with suitable material such as vinyl tape to avoid the entry of air.

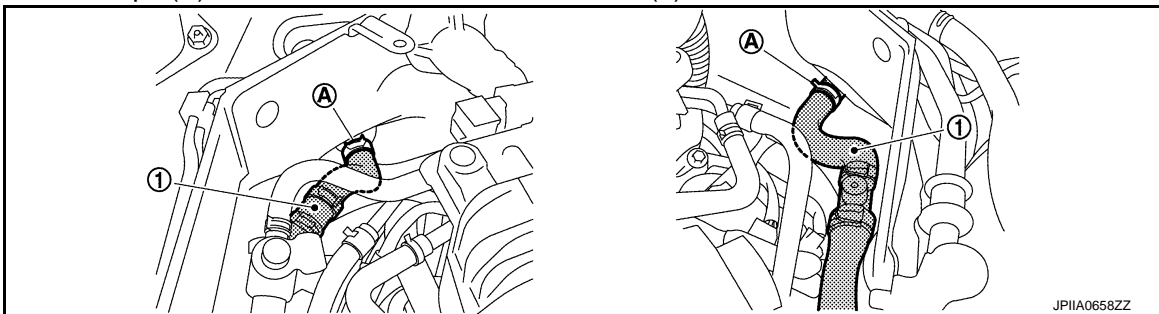
6. Disconnect one-touch joint between high-pressure pipe 1 (4) and high-pressure pipe 2 (3) with disconnecter (SST: J-45815).

**CAUTION:**

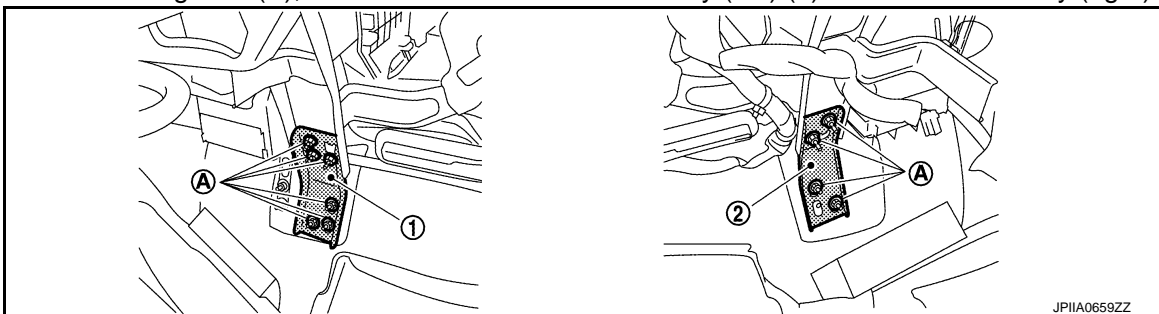
Cap or wrap the joint of the A/C piping with suitable material such as vinyl tape to avoid the entry of air.



7. Remove clamps (A), and then disconnect heater hoses (1).



8. Remove instrument panel assembly. Refer to [IP-12. "Exploded View"](#).
9. Remove defroster nozzle. Refer to [VTL-13. "Exploded View"](#).
10. Remove adaptor duct. Refer to [VTL-13. "Exploded View"](#).
11. Remove blower unit. Refer to [VTL-21. "Exploded View"](#).
12. Remove mounting nuts (A), and then remove instrument stay (left) (1) and instrument stay (right) (2).

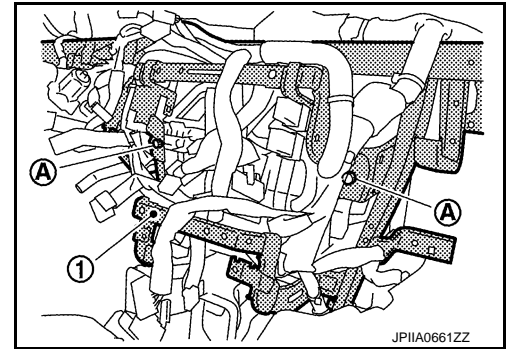


13. Disconnect drain hose.

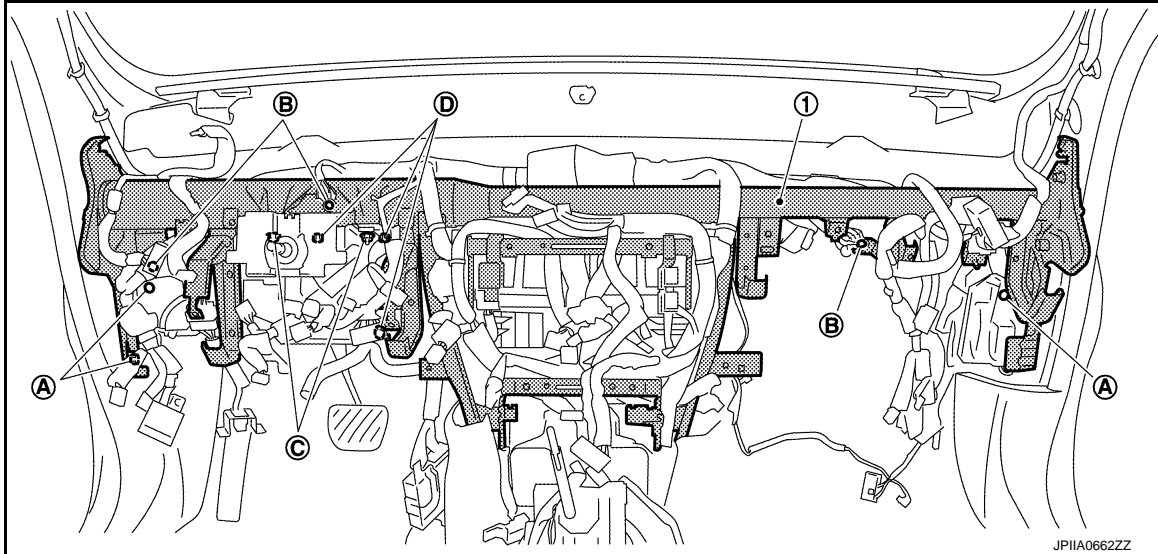
# HEATER & COOLING UNIT ASSEMBLY

## < REMOVAL AND INSTALLATION >

14. Remove mounting bolts (A) from steering member (1).



15. Remove mounting bolts (A) from steering member (1).

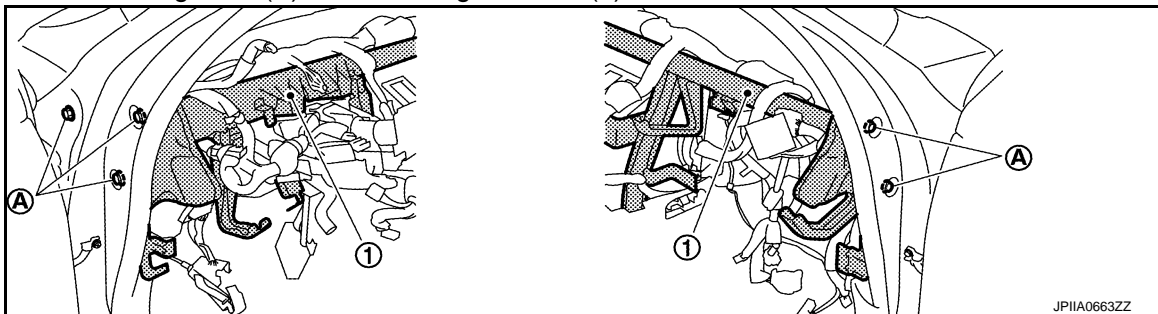


16. Remove ground bolts (B) from steering member.

17. Remove steering column mounting nuts (C) and bolts (D). Refer to [ST-18. "WITHOUT ELECTRIC MOTOR : Exploded View"](#) (WITHOUT ELECTRIC MOTOR) or [ST-20. "WITH ELECTRIC MOTOR : Exploded View"](#) (WITH ELECTRIC MOTOR).

18. Remove harness connector and clips of vehicle harness from steering member.

19. Remove mounting bolts (A) from steering member (1).



20. Remove steering member, and then remove heater & cooling unit assembly.

## INSTALLATION

Installation is basically the reverse order of removal.

### CAUTION:

- Replace O-rings with new ones. Then apply compressor oil to them when installing.
- Female-side piping connection is thin and easy to deform. Slowly insert the male-side piping straight in axial direction.
- Insert piping securely until a clicks is heard.
- After piping connection is completed, pull male-side piping by hand to make sure that connection does not come loose.
- Check for leakages when recharging refrigerant.

# HEATER & COOLING UNIT ASSEMBLY

## < REMOVAL AND INSTALLATION >

### NOTE:

- Refer to [CO-8, "Refilling"](#) when filling radiator with engine coolant.
- Recharge the refrigerant.

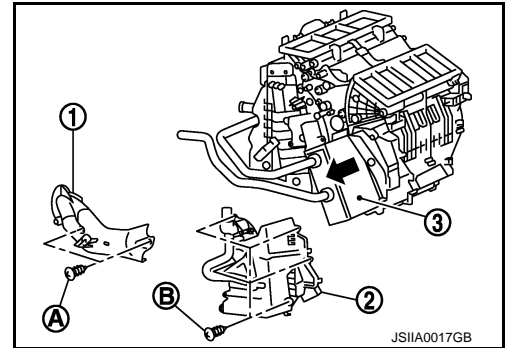
## HEATER CORE

### HEATER CORE : Removal and Installation

INFOID:000000006345420

#### REMOVAL

1. Remove heater & cooling unit assembly. Refer to [HA-51, "Exploded View"](#).
2. Remove mounting screws (A), and then remove heater pipe cover (1).
3. Remove mounting screws (B), and then remove foot duct (left) (2).
4. Slide heater core (3) to leftward (as shown in the figure).



#### INSTALLATION

Installation is basically the reverse order of removal.

### NOTE:

Refer to [CO-8, "Refilling"](#) when filling radiator with engine coolant.

## EVAPORATOR

### EVAPORATOR : Removal and Installation

INFOID:000000006345421

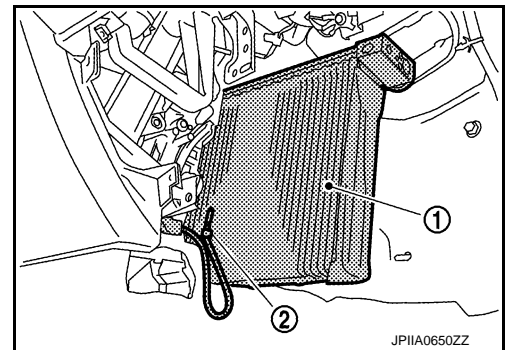
#### REMOVAL

1. Remove low-pressure pipe 1 and high-pressure pipe 2. Refer to [HA-41, "Exploded View"](#).

### CAUTION:

Cap or wrap the joint of the A/C piping and expansion valve with suitable material such as vinyl tape to avoid the entry of air.

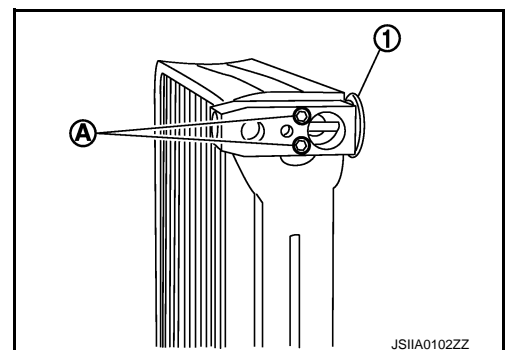
2. Slide evaporator (1) from heater & cooling unit assembly.
3. Remove intake sensor (2) from evaporator, and then remove evaporator.



4. Remove mounting bolts (A), and then remove expansion valve (1).

### CAUTION:

Cap or wrap the joint of evaporator and expansion valve with suitable material such as vinyl tape to avoid the entry of air.



A  
B  
C  
D  
E  
F  
G  
H  
HA  
J  
K  
L  
M  
N  
O  
P

# HEATER & COOLING UNIT ASSEMBLY

## < REMOVAL AND INSTALLATION >

### INSTALLATION

Installation is basically the reverse order of removal.

#### **CAUTION:**

- Replace O-rings with new ones. Then apply compressor oil to them when installing.
- Female-side piping connection is thin and easy to deform. Slowly insert the male-side piping straight in axial direction.
- Insert piping securely until a click is heard.
- After piping connection is completed, pull male-side piping by hand to make sure that connection does not come loose.
- O-rings differ from low-pressure flexible hose (high-pressure pipe 1) and low-pressure pipe 1 (high-pressure pipe 2).
- Mark the mounting position of intake sensor bracket prior to removal so that the reinstalled sensor can be located in the same position.
- Check for leakages when recharging refrigerant.

### EXPANSION VALVE

#### EXPANSION VALVE : Removal and Installation

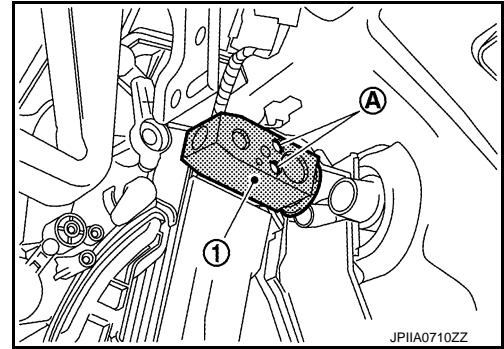
INFOID:000000006345422

#### REMOVAL

1. Remove low-pressure pipe 1 and high-pressure pipe 2. Refer to [HA-41, "Exploded View"](#).
2. Remove mounting bolts (A), and then remove expansion valve (1).

#### **CAUTION:**

Cap or wrap the joint of evaporator and expansion valve with suitable material such as vinyl tape to avoid the entry of air.



#### INSTALLATION

Installation is basically the reverse order of removal.

#### **CAUTION:**

- Replace O-rings with new ones. Then apply compressor oil to them when installing.
- O-rings are different from low-pressure pipe 1 (high-pressure pipe 1) and low-pressure pipe 2 (high-pressure pipe 2).
- Check for leakages when recharging refrigerant.



## SERVICE DATA AND SPECIFICATIONS (SDS)

< SERVICE DATA AND SPECIFICATIONS (SDS)

# SERVICE DATA AND SPECIFICATIONS (SDS)

## SERVICE DATA AND SPECIFICATIONS (SDS)

### Compressor

INFOID:000000006345423

Model	CALSONIC KANSEI make CSE617	
Type	Variable displacement swash plate	
Displacement cm <sup>3</sup> (cu in)/rev	Max.	171 (10.4)
Number of cylinders	6	
Cylinder bore × stroke (Max.) mm (in.)	34.8 (1.37) × 29.8 (1.17)	
Direction of rotation	Clockwise (viewed from clutch)	
Drive belt	Poly V	
Disc to pulley clearance mm (in.)	Standard	0.3 - 0.6 (0.012 - 0.024)

### Lubricant

INFOID:000000006345424

Name	A/C System Oil Type S (DH-PS)	
Capacity mℓ (US fl oz, Imp fl oz)	Total in system	150 (5.07, 5.3)
	Compressor (service part) charging amount	150 (5.07, 5.3)

### Refrigerant

INFOID:000000006345425

Type	HFC-134a (R-134a)	
Capacity kg (lb)	0.55 (1.21)	

### Engine Idling Speed

INFOID:000000006345426

Refer to [EC-585. "Idle Speed"](#).

### Belt Tension

INFOID:000000006345427

Refer to [EM-139. "Drive Belt"](#).