

A

SECTION STR

STR

STARTING SYSTEM

C

CONTENTS

D

E

BASIC INSPECTION	2	STARTING SYSTEM	16	
DIAGNOSIS AND REPAIR WORK FLOW	2	Symptom Table	16	
Work Flow (With GR8-1200 NI)	2	PRECAUTION	17	G
Work Flow (Without GR8-1200 NI)	5	PRECAUTIONS	17	
SYSTEM DESCRIPTION	7	Precaution for Supplemental Restraint System (SRS) "AIR BAG" and "SEAT BELT PRE-TENSIONER"	17	H
STARTING SYSTEM	7	PREPARATION	18	I
System Diagram	7	PREPARATION	18	
System Description	7	Special Service Tools	18	
Component Parts Location	8	Commercial Service Tools	18	J
Component Description	8	REMOVAL AND INSTALLATION	19	
DTC/CIRCUIT DIAGNOSIS	9	STARTER MOTOR	19	K
B TERMINAL CIRCUIT	9	Exploded View	19	
Description	9	Removal and Installation	20	L
Diagnosis Procedure	9	SERVICE DATA AND SPECIFICATIONS (SDS)	22	
S CONNECTOR CIRCUIT	10	SERVICE DATA AND SPECIFICATIONS (SDS)	22	M
Description	10	Starter Motor	22	
Diagnosis Procedure	10			N
STARTING SYSTEM	11			O
Wiring Diagram - STARTING SYSTEM -	11			P
SYMPTOM DIAGNOSIS	16			

DIAGNOSIS AND REPAIR WORK FLOW

< BASIC INSPECTION >

BASIC INSPECTION

DIAGNOSIS AND REPAIR WORK FLOW

Work Flow (With GR8-1200 NI)

INFOID:000000008286047

STARTING SYSTEM DIAGNOSIS WITH GR8-1200 NI

To test the starting system, use the following special service tool:

- GR8-1200 NI Multitasking battery and electrical diagnostic station

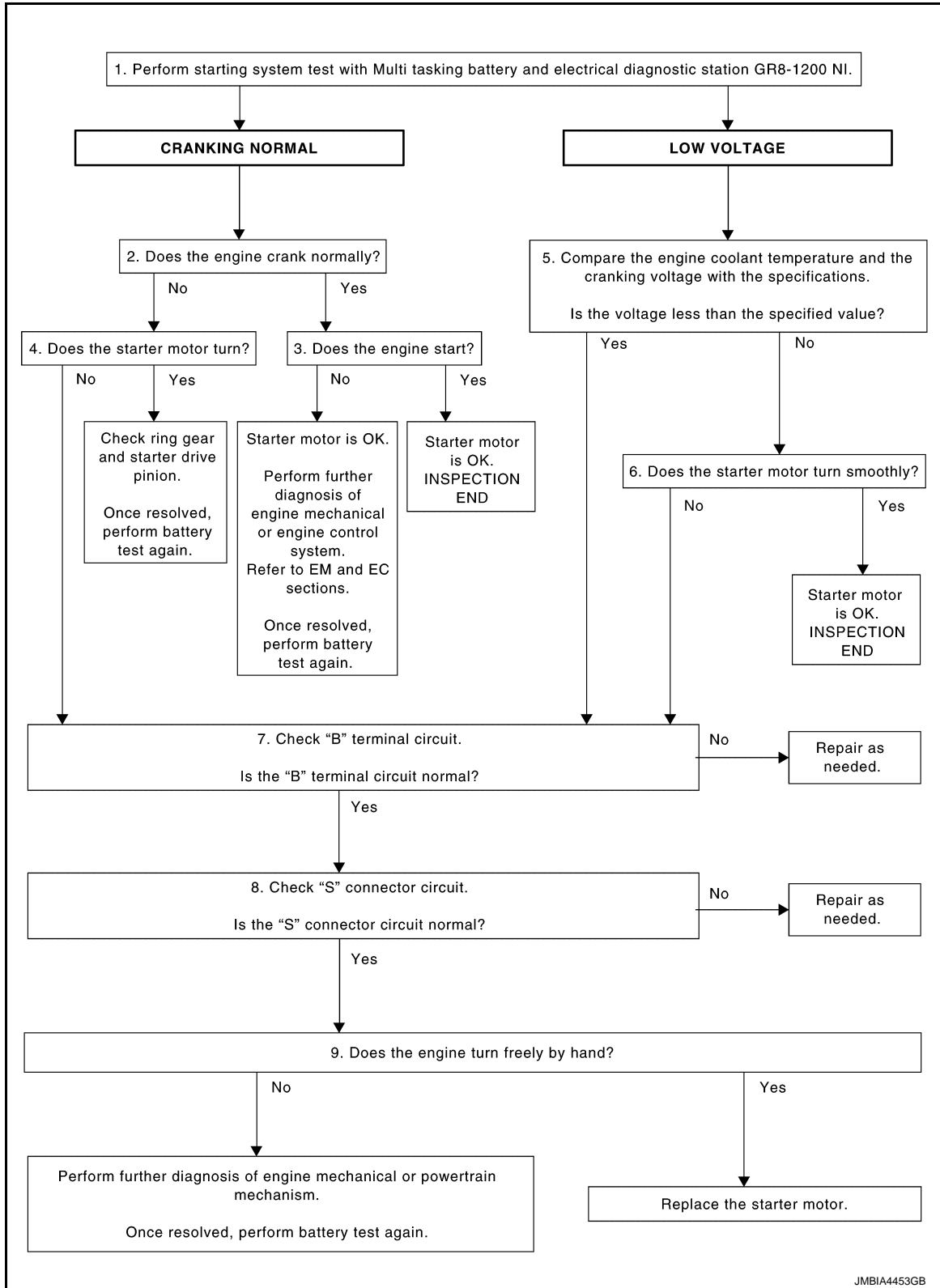
NOTE:

Refer to the diagnostic station Instruction Manual for proper starting system diagnosis procedures.

DIAGNOSIS AND REPAIR WORK FLOW

< BASIC INSPECTION >

OVERALL SEQUENCE



DETAILED FLOW

NOTE:

To ensure a complete and thorough diagnosis, the battery, starter motor and alternator test segments must be done as a set from start to finish.

1. DIAGNOSIS WITH MULTITASKING BATTERY AND ELECTRICAL DIAGNOSTIC STATION GR8-1200 NI

A

STR

C

D

E

F

G

H

I

J

K

L

M

N

O

P

JMBIA4453GB

DIAGNOSIS AND REPAIR WORK FLOW

< BASIC INSPECTION >

Perform the starting system test with Multitasking battery and electrical diagnostic station GR8-1200 NI. For details and operating instructions, refer to diagnostic station Instruction Manual.

Test result

CRANKING NORMAL>>GO TO 2.

LOW VOLTAGE >>GO TO 5.

CHARGE BATTERY>>Perform the slow battery charging procedure. (Initial rate of charge is 10A for 12 hours.) Perform battery test again. Refer to diagnostic station instruction manual.

REPLACE BATTERY>>Before replacing battery, clean the battery cable clamps and battery posts. Perform battery test again. Refer to diagnostic station instruction manual. If second test result is "REPLACE BATTERY", then do so. Perform battery test again to confirm repair.

2. CRANKING CHECK

Check that the starter motor operates correctly.

Does the engine crank normally?

YES >> GO TO 3.

NO >> GO TO 4.

3. ENGINE START CHECK

Check that the engine starts.

Does the engine start?

YES >> Starter motor is OK. INSPECTION END

NO >> Starter motor is OK. Perform further diagnosis of engine mechanical or engine control system. Refer EM and EC sections. Once resolved, perform battery test again.

4. STARTER MOTOR ACTIVATION

Check that the starter motor operates.

Does the starter motor turn?

YES >> Check ring gear and starter motor drive pinion. Once resolved, perform battery test again.

NO >> GO TO 7.

5. COMPARISON BETWEEN ENGINE COOLANT AND CRANKING VOLTAGE

Compare the engine coolant temperature and the cranking voltage with the specifications.

Minimum Specification of Cranking Voltage Referencing Coolant Temperature

Engine coolant temperature [°C (°F)]	Voltage [V]
-30 to -20 (-22 to -4)	8.6
-19 to -10 (-2 to 14)	9.1
-9 to 0 (16 to 32)	9.5
More than 1 (More than 34)	9.9

Is the voltage less than the specified value?

YES >> GO TO 7.

NO >> GO TO 6.

6. STARTER OPERATION

Check the starter operation status.

Does the starter motor turn smoothly?

YES >> Starter motor is OK. INSPECTION END

NO >> GO TO 7.

7. "B" TERMINAL CIRCUIT INSPECTION

Check "B" terminal circuit. Refer to [STR-9, "Diagnosis Procedure"](#).

Is "B" terminal circuit normal?

YES >> GO TO 8.

NO >> Repair as needed.

8. "S" CONNECTOR CIRCUIT INSPECTION

Check "S" connector circuit. Refer to [STR-10, "Diagnosis Procedure"](#).

DIAGNOSIS AND REPAIR WORK FLOW

< BASIC INSPECTION >

Is "S" connector circuit normal?

- YES >> GO TO 9.
- NO >> Repair as needed.

9. ENGINE ROTATION STATUS

Check that the engine can be rotated by hand.

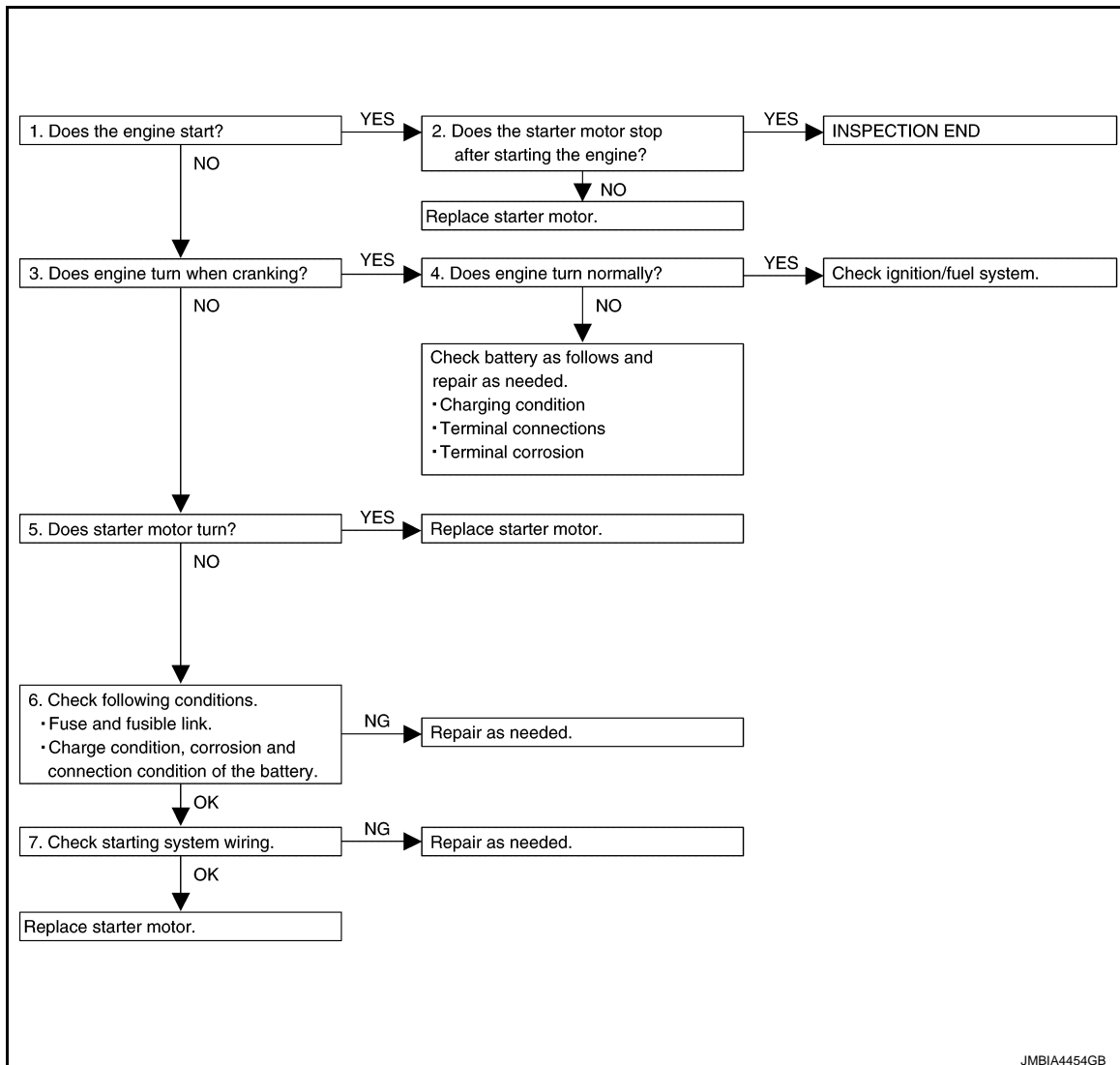
Does the engine turn freely by hand?

- YES >> Replace starter motor.
- NO >> Perform further diagnosis of engine mechanical or powertrain mechanism. Once resolved, perform battery test again using Multitasking battery and electrical diagnostic station GR8-1200 NI. Refer to the diagnostic station Instruction Manual for proper testing procedures.

Work Flow (Without GR8-1200 NI)

INFOID:0000000010452635

OVERALL SEQUENCE



DETAILED FLOW

NOTE:

If any malfunction is found, immediately disconnect the battery cable from the negative terminal.

1. CHECK ENGINE START

Crank the engine and check that the engine starts.

Does the engine start?

- YES >> GO TO 2.

DIAGNOSIS AND REPAIR WORK FLOW

< BASIC INSPECTION >

NO >> GO TO 3.

2.CHECK THAT THE STARTER MOTOR STOPS

Check that the starter motor stops after starting the engine.

Does the starter motor stop?

YES >> INSPECTION END

NO >> Replace starter motor. Refer to [STR-20, "Removal and Installation"](#).

3.CHECK THAT THE ENGINE TURNS WHEN CRANKING

Check that the engine turns when cranking.

Does engine turn when cranking?

YES >> GO TO 4.

NO >> GO TO 5.

4.CHECK THE ENGINE SPEED WHEN CRANKING

Check that the engine speed is not low when cranking.

Does engine turn normally?

YES >> Check ignition/fuel system.

NO >> Check charge condition, corrosion and connection condition of the battery. Refer to [PG-3, "Work Flow"](#).

5.CHECK STARTER MOTOR ACTIVATION

Check that the starter motor runs at cranking.

Does starter motor turn?

YES >> Replace starter motor. Refer to [STR-20, "Removal and Installation"](#).

NO >> GO TO 6.

6.CHECK POWER SUPPLY CIRCUIT

Check the following conditions.

- Fuse and fusible link
- Charge condition, corrosion and connection condition of the battery. Refer to [PG-3, "Work Flow"](#).

Are these inspection results normal?

YES >> GO TO 7.

NO >> Repair as needed.

7.CHECK STARTING SYSTEM WIRING

Check the following.

- "B" terminal circuit. Refer to [STR-9, "Diagnosis Procedure"](#).
- "S" connector circuit. Refer to [STR-10, "Diagnosis Procedure"](#).

Are these inspection results normal?

YES >> Replace starter motor. Refer to [STR-20, "Removal and Installation"](#).

NO >> Repair as needed.

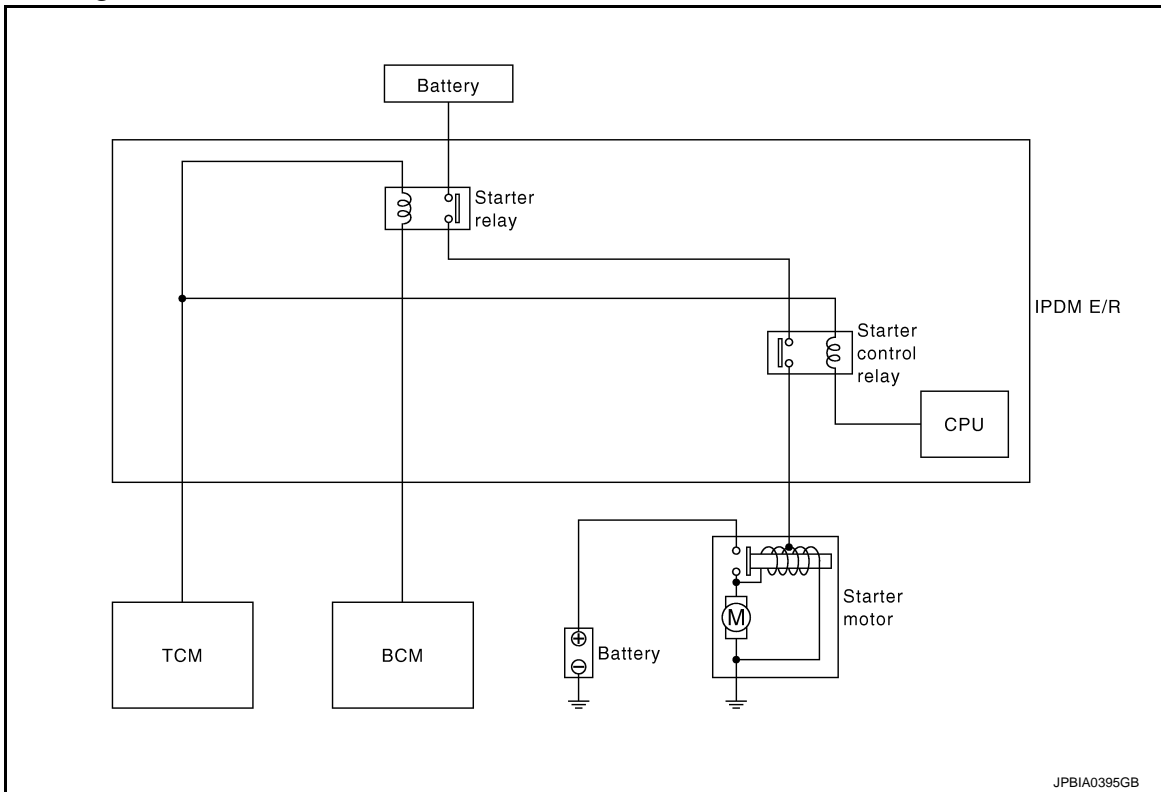
STARTING SYSTEM

< SYSTEM DESCRIPTION >

SYSTEM DESCRIPTION

STARTING SYSTEM

System Diagram



System Description

The starter motor plunger closes and provides a closed circuit between the battery and starter motor. The starter motor is grounded to the engine block. With power and ground supplied, cranking occurs and the engine starts.

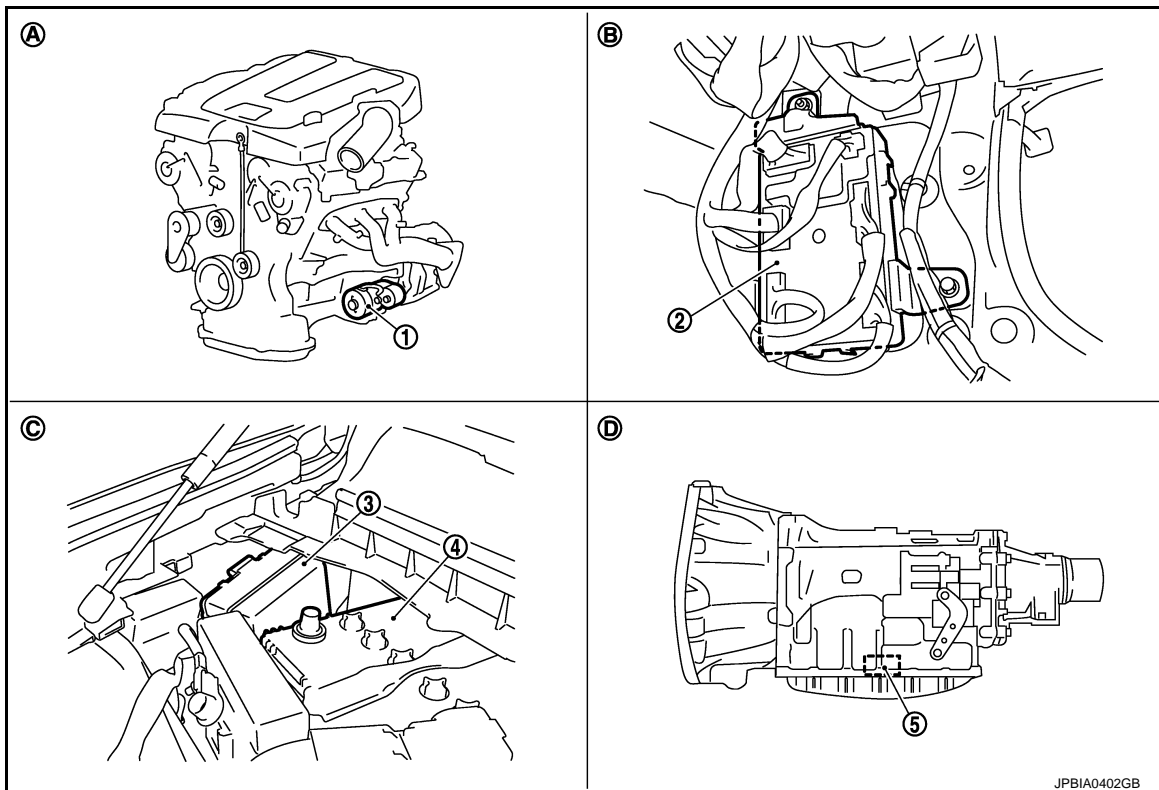
A
STR
C
D
E
F
G
H
I
J
K
L
M
N
O
P

STARTING SYSTEM

< SYSTEM DESCRIPTION >

Component Parts Location

INFOID:000000008286050



- | | | |
|-----------------------------------|-------------------------------------|--------------------------------|
| 1. Starter motor | 2. BCM | 3. IPDM E/R |
| 4. Battery | 5. TCM | |
| A. Engine | B. Dash side lower (Passenger side) | C. Engine room dash panel (RH) |
| D. Inside of A/T (built into A/T) | | |

Component Description

INFOID:000000008286051

Component part	Description
TCM	TCM supplies power to the starter relay and starter control relay inside IPDM E/R when the selector lever is shifted to the P or N position.
BCM	BCM controls the starter relay inside IPDM E/R.
IPDM E/R	CPU inside IPDM E/R controls the starter control relay.
Starter motor	The starter motor plunger closes and the motor is supplied with battery power, which in turn cranks the engine, when the "S" terminal is supplied with electric power.

B TERMINAL CIRCUIT

< DTC/CIRCUIT DIAGNOSIS >

DTC/CIRCUIT DIAGNOSIS

B TERMINAL CIRCUIT

Description

INFOID:000000008286052

STR

The "B" terminal is constantly supplied with battery power.

Diagnosis Procedure

INFOID:000000008286053

CAUTION:

Perform diagnosis under the condition that engine cannot start by the following procedure.

1. Remove fuel pump fuse.
2. Crank or start the engine (where possible) until the fuel pressure is released.

1. CHECK "B" TERMINAL CIRCUIT

1. Turn ignition switch OFF.
2. Check that starter motor "B" terminal connection is clean and tight.
3. Check voltage between starter motor "B" terminal and ground.

Terminals		Voltage (Approx.)
(+)	(-)	
Starter motor "B" terminal	Terminal	Battery voltage
E204	2	
	Ground	

Is the inspection result normal?

YES >> GO TO 2.

NO >> Check harness between battery and starter motor for open circuit.

2. CHECK BATTERY CABLE CONNECTION STATUS (VOLTAGE DROP TEST)

1. Shift A/T selector lever to "P" or "N" position.
2. Check voltage between battery positive terminal and starter motor "B" terminal.

Terminals		Condition	Voltage (Approx.)
(+)	(-)		
	Starter motor "B" terminal	When the ignition switch is in START position	Less than 0.5 V
Battery positive terminal	E204		
	2		

Is the inspection result normal?

YES >> GO TO 3.

NO >> Check harness between the battery and the starter motor for poor continuity.

3. CHECK GROUND CIRCUIT STATUS (VOLTAGE DROP TEST)

1. Shift A/T selector lever to "P" or "N" position.
2. Check voltage between starter motor case and battery negative terminal.

Terminals		Condition	Voltage (Approx.)
(+)	(-)		
Starter motor case	Battery negative terminal	When the ignition switch is in START position	Less than 0.2 V

Is the inspection result normal?

YES >> "B" terminal circuit is OK. Further inspection is necessary. Refer to [STR-2, "Work Flow \(With GR8-1200 NI\)"](#) or [STR-5, "Work Flow \(Without GR8-1200 NI\)"](#).

NO >> Check the starter motor case and ground for poor continuity.

S CONNECTOR CIRCUIT

< DTC/CIRCUIT DIAGNOSIS >

S CONNECTOR CIRCUIT

Description

INFOID:000000008286054

The starter motor magnetic switch is supplied with power when the ignition switch is turned to the START position while the selector lever is in the P or N position.

Diagnosis Procedure

INFOID:000000008286055

CAUTION:

Perform diagnosis under the condition that engine cannot start by the following procedure.

1. Remove fuel pump fuse.
2. Crank or start the engine (where possible) until the fuel pressure is released.

1. CHECK "S" CONNECTOR CIRCUIT

1. Turn ignition switch OFF.
2. Disconnect starter motor connector.
3. Shift A/T selector lever to "P" or "N" position.
4. Check voltage between starter motor harness connector and ground.

Terminals		Condition	Voltage (Approx.)
(+)	(-)		
Starter motor harness connector	Terminal		
F52	1	When the ignition switch is in START position	Battery voltage

Is the inspection result normal?

YES >> "S" connector circuit is OK. Further inspection is necessary. Refer to [STR-2. "Work Flow \(With GR8-1200 NI\)"](#) or [STR-5. "Work Flow \(Without GR8-1200 NI\)"](#).

NO >> GO TO 2.

2. CHECK HARNESS CONTINUITY (OPEN CIRCUIT)

1. Disconnect IPDM E/R connector.
2. Check continuity between starter motor harness connector and IPDM E/R harness connector.

Starter motor harness connector		IPDM E/R harness connector		Continuity
Connector No.	Terminal No.	Connector No.	Terminal No.	
F52	1	E7	80	Existed

Is the inspection result normal?

YES >> Further inspection is necessary. Refer to [STR-2. "Work Flow \(With GR8-1200 NI\)"](#) or [STR-5. "Work Flow \(Without GR8-1200 NI\)"](#).

NO >> Repair the harness.

STARTING SYSTEM

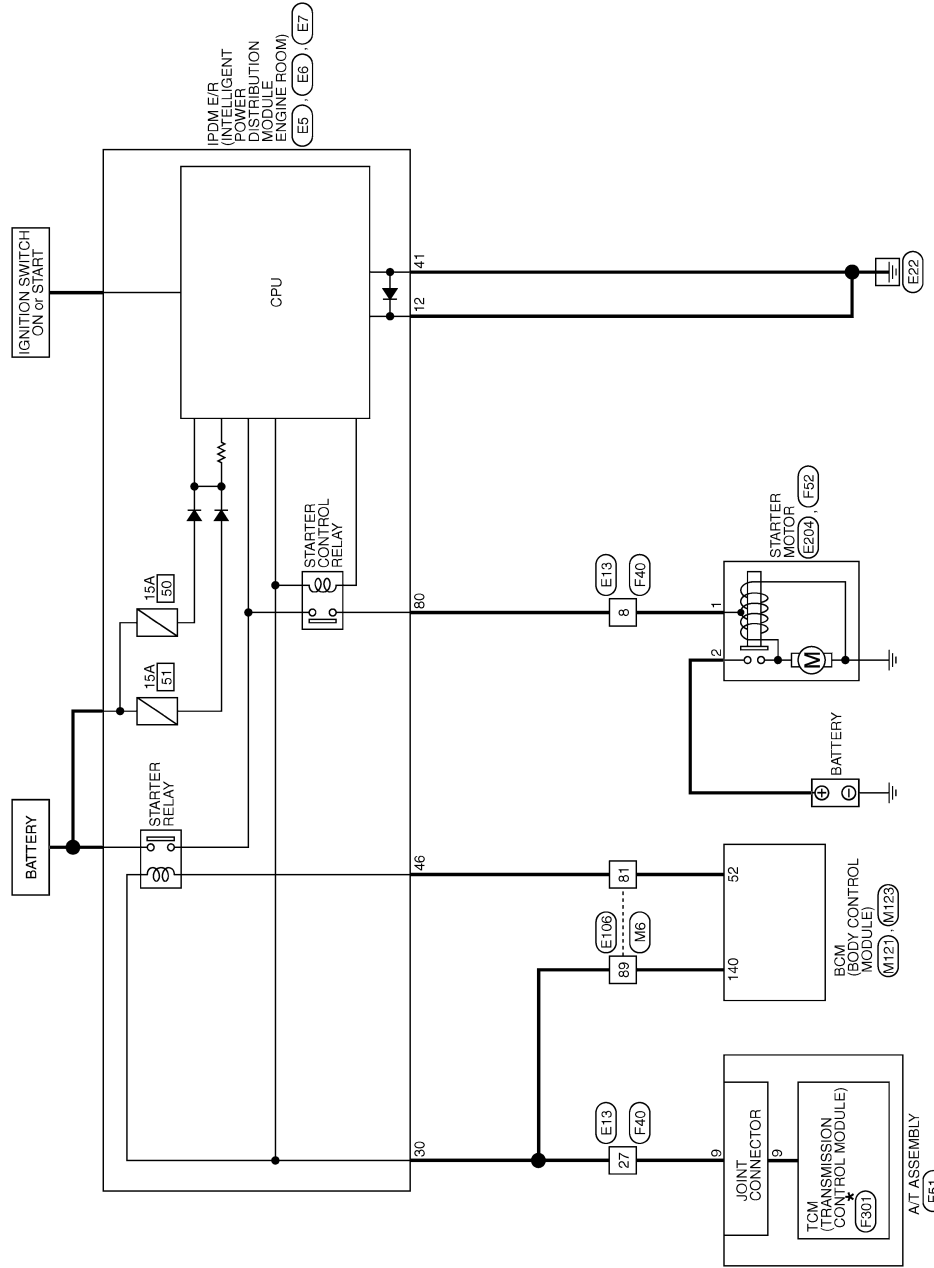
< DTC/CIRCUIT DIAGNOSIS >

STARTING SYSTEM

Wiring Diagram - STARTING SYSTEM -

INFOID:000000008286056

STARTING SYSTEM



*: This connector is not shown in "Harness Layout".

2012/06/11

JRBWC1704GB

A
STR
C
D
E
F
G
H
I
J
K
L
M
N
O
P

STARTING SYSTEM

< DTC/CIRCUIT DIAGNOSIS >

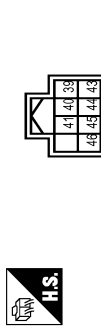
STARTING SYSTEM

Connector No.	E5
Connector Name	IPDM INTELLIGENT POWER DISTRIBUTION MODULE (ENGINE ROOM)
Connector Type	TH20FTV-CST2-M4-1V



Terminal No.	Color Of Wire	Signal Name [Specification]
4	V	-
5	L	-
7	R	-
12	B/W	-
13	Y	-
16	L/G	-
19	W	-
25	G	-
26	R	-
27	B/G	-
28	L	-
30	GR	-
36	G	-

Connector No.	E6
Connector Name	IPDM INTELLIGENT POWER DISTRIBUTION MODULE (ENGINE ROOM)
Connector Type	TH10FTV-NH1



Terminal No.	Color Of Wire	Signal Name [Specification]
39	P	-
40	L	-
41	B/W	-
43	SB	-
44	BR	-
45	G	-

46	R	-
----	---	---

Connector No.	E7
Connector Name	IPDM INTELLIGENT POWER DISTRIBUTION MODULE (ENGINE ROOM)
Connector Type	TH20FTV-CST2-M4



Terminal No.	Color Of Wire	Signal Name [Specification]
48	L	-
49	B/G	-
51	Y	-
53	W	-
54	P	-
55	SB	-
56	L/G	-
57	G	-
58	V	-
69	BR	-
70	B/G	-
74	P	-
75	SB	-
76	Y	-
77	R	-
80	W	-

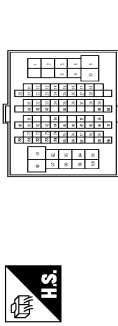
Connector No.	E13
Connector Name	WIRE TO WIRE
Connector Type	SA3A36MB-RS9-SHZ8



Terminal No.	Color Of Wire	Signal Name [Specification]
1	L/Y	-
2	SHIELD	-
3	L/B	-
4	SHIELD	-
9	BR	-
7	G	-
8	W	-
9	W	-
10	Y	-
11	P	-
12	SB	-
13	L	-
14	G	-
15	R	-
16	L/G	-
18	Y	-
19	B/G	-
20	B	-
21	SB	-
22	W	-
23	L	-
24	G	-
25	L/G	-
27	GR	-
28	V	-
29	P	-
30	R	-
31	BR	-
32	Y	-
33	G	-
34	R/G	-
37	SHIELD	-
38	S	-
39	P	-
40	R	-

41	W	-
42	L/G	-
43	G	-
45	B/G	-
46	SHIELD	-
47	W	-
48	BR	-
49	G	-
50	B	-
51	SB	-
52	R	-

Connector No.	E106
Connector Name	WIRE TO WIRE
Connector Type	TH80FTV-CS16-TM4



Terminal No.	Color Of Wire	Signal Name [Specification]
1	R	-
2	W	-
3	B	-
4	GR	-
5	GR	-
8	Y	-
9	BR	-
10	B/G	-
11	SB	-
12	B/G	-
13	L	-
14	R	-
15	P	-
16	V	-
17	SB	-
18	V	-
20	B/G	-
21	L	-
22	V	-
23	G	-
24	P	-
25	Y	-

STARTING SYSTEM

< DTC/CIRCUIT DIAGNOSIS >

STARTING SYSTEM

26	V	-	-	-	-
27	W	-	-	-	-
28	G	-	-	-	-
31	BG	-	-	-	-
32	W	-	-	-	-
33	B	-	-	-	-
34	R	-	-	-	-
35	G	-	-	-	-
36	SHIELD	-	-	-	-
37	V	-	-	-	-
38	BR	-	-	-	-
39	BG	-	-	-	-
41	W	-	-	-	-
42	G	-	-	-	-
43	BR	-	-	-	-
45	W	-	-	-	-
49	P	-	-	-	-
50	P	-	-	-	-
51	L	-	-	-	-
54	BG	-	-	-	-
57	BR	-	-	-	-
59	W	-	-	-	-
60	LG	-	-	-	-
61	G	-	-	-	-
62	SB	-	-	-	-
63	W	-	-	-	-
64	B	-	-	-	-
65	G	-	-	-	-
66	R	-	-	-	-
67	SHIELD	-	-	-	-
68	Y	-	-	-	-
69	LG	-	-	-	-
70	W	-	-	-	-
71	R	-	-	-	-
72	Y	-	-	-	-
73	B	-	-	-	-
74	BR	-	-	-	- [With ICC]
74	L	-	-	-	- [Without ICC]
75	G	-	-	-	- [With ICC]
75	W	-	-	-	- [Without ICC]
76	W	-	-	-	- [With ICC]
76	Y	-	-	-	- [Without ICC]
77	P	-	-	-	- [With ICC]
77	R	-	-	-	- [Without ICC]
78	BR	-	-	-	- [With ICC]
78	L	-	-	-	- [Without ICC]
79	L	-	-	-	- [With ICC]
79	Y	-	-	-	- [Without ICC]
80	SB	-	-	-	- [With ICC]
80	SB	-	-	-	- [Without ICC]
81	R	-	-	-	-

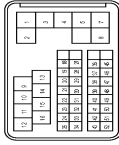
82	SB	-	-	-	-
83	BG	-	-	-	-
84	G	-	-	-	-
85	L	-	-	-	-
86	P	-	-	-	-
87	V	-	-	-	-
89	GR	-	-	-	-
90	SHIELD	-	-	-	-
91	W	-	-	-	-
92	Y	-	-	-	-
93	V	-	-	-	-
94	LG	-	-	-	-
95	BG	-	-	-	-
96	P	-	-	-	-
97	R	-	-	-	-
98	SHIELD	-	-	-	-
99	L	-	-	-	-
100	P	-	-	-	-

Connector No.	E204
Connector Name	STARTER MOTOR
Connector Type	24348-51E51



Terminal No.	2
Color Of Wire	Y
Signal Name [Specification]	-

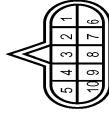
Connector No.	F40
Connector Name	WIRE TO WIRE
Connector Type	SAA38FB-R58-S1Z3



Terminal No.	Color Of Wire	Signal Name [Specification]
1	L/Y	-
2	SHIELD	-
3	SB	-
4	SHIELD	-
5	BR	-
7	G	-
8	W	-
9	W	-
10	G	-
11	R	-
12	P	-
13	L	-
14	LG	-
15	BR	-
16	Y	-
18	LG	-
19	P	-
20	O	-
21	Y	-
22	G	-
23	Y	-
24	LG	-
25	V	-
27	GR	-
28	BR	-
29	L	-
30	R	-
31	P	-
32	W	-
33	SB	-
34	O	-
37	SHIELD	-
38	W	-
39	Y	-
40	G	-
41	B	-

42	GR	-	-
43	R	-	-
45	O	-	-
46	SHIELD	-	-
47	W/L	-	-
48	LG	-	-
49	O/L	-	-
50	L/Y	-	-
51	W	-	-
52	L/G	-	-

Connector No.	F51
Connector Name	AT ASSEMBLY
Connector Type	FK10FG-DGY



Terminal No.	Color Of Wire	Signal Name [Specification]
1	Y	POWER SUPPLY
2	BR	POWER SUPPLY (MEMORY BACK-UP)
3	O	CAN-H
4	V	K LINE
5	B	GROUND
6	Y	POWER SUPPLY
7	R	BACK-UP LAMP RELAY
8	LG	CAN-L
9	GR	STARTER RELAY
10	B	GROUND

JRBWC6184GB

A
STR
C
D
E
F
G
H
I
J
K
L
M
N
O
P

STARTING SYSTEM

< DTC/CIRCUIT DIAGNOSIS >

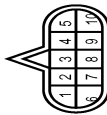
STARTING SYSTEM

Connector No.	F52
Connector Name	STARTER MOTOR
Connector Type	X01MGY



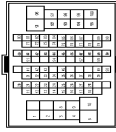
Terminal No.	Wire	Signal Name [Specification]
1	W	-

Connector No.	F301
Connector Name	TCM (TRANSMISSION CONTROL MODULE)
Connector Type	SPT0FG



Terminal No.	Wire	Signal Name [Specification]
1	-	POWER SUPPLY
2	-	POWER SUPPLY (MEMORY BACK-UP)
3	-	CANH
4	-	KLINE
5	-	GROUND
6	-	POWER SUPPLY
7	-	BACK-UP LAMP RELAY
8	-	CANL
9	-	STARTER RELAY
10	-	GROUND

Connector No.	M6
Connector Name	WIRE TO WIRE
Connector Type	TH80MMV-CS16-TM4



Terminal No.	Wire	Signal Name [Specification]
1	W	-
2	R	-
3	B	-
4	SHIELD	-
5	G	-
6	Y	-
7	BR	-
8	BR	-
9	R	-
10	R	-
11	BR	-
12	BG	-
13	L	-
14	R	-
15	P	-
16	V	-
17	SB	-
18	V	-
20	BG	-
21	L	-
22	W	-
23	P	-
24	BR	-
25	Y	-
26	V	-
27	G	-
28	G	-
31	L	-
32	G	-
33	B	-
34	W	-
35	R	-
36	SHIELD	-
37	V	-
38	BG	-
39	BR	-
41	W	-
42	BG	-

43	BG	-
45	W	-
49	L	-
50	P	-
51	BR	-
54	Y	-
57	G	-
59	W	-
60	L	-
61	G	-
62	SB	-
63	G	-
64	B	-
65	W	-
66	R	-
67	SHIELD	-
68	Y	-
69	GR	-
70	LG	-
71	LG	-
72	Y	-
73	SB	-
74	BR	- [With ICC]
74	L	- [Without ICC]
75	G	-
76	GR	- [Without ICC]
76	W	- [With ICC]
77	P	- [Without ICC]
77	R	- [With ICC]
78	L	- [Without ICC]
78	R	- [With ICC]
79	W	- [Without ICC]
79	Y	- [With ICC]
80	SB	-
81	SB	-
82	SB	-
83	V	-
84	G	-
85	L	-
86	P	-
87	W	-
89	GR	-
90	SHIELD	-
91	W	-
92	Y	-
93	BR	-
94	B	-
95	GR	-
96	W	-
97	L	-

98	SHIELD	-
99	V	-
100	SB	-

Connector No.	M121
Connector Name	BCM (BODY CONTROL MODULE)
Connector Type	TH40FGY-NH



Terminal No.	Wire	Signal Name [Specification]
34	SB	LUGGAGE ROOM ANT-
35	V	LUGGAGE ROOM ANT+
38	B	BACK DOOR ANT-
39	W	BACK DOOR ANT+
47	Y	IGN RELAY (PDI/ERS) CONT
52	SB	STARTER RELAY CONT
60	BR	PUSH SW
61	W	BACK DOOR OPENER REQUEST SW
64	V	I-KEY WARN BUZZER (ENG ROOM)
65	BG	REAR WIPER STOP POSITION
66	R	BACK DOOR SW
67	GR	BACK DOOR OPENER SW
68	BR	REAR RH DOOR SW
69	R	REAR LH DOOR SW

Connector No.	M123
Connector Name	BCM (BODY CONTROL MODULE)
Connector Type	TH40FGY-NH



JRBWC6185GB

STARTING SYSTEM

< DTC/CIRCUIT DIAGNOSIS >

A

STR

C

D

E

F

G

H

I

J

K

L

M

N

O

P

Terminal No.	Color Of Wire	Signal Name [Specification]
113	P	OPTICAL SENSOR
116	SB	STOP LAMP SW 1
118	P	STOP LAMP SW 2
119	SB	DR DOOR UNLOCK SENSOR
121	BR	KEY SLOT SW
123	W	IGN F/B
124	LG	PASSENGER DOOR SW
132	BR	POWER WINDOW SW COMM
133	W	PUSH BUTTON IGNITION SW ILL POWER
134	GR	LOCK IND
137	BG	RECEIVER SENSOR GND
138	Y	RECEIVER SENSOR POWER SUPPLY
139	L	TIRE PRESSURE RECEIVER COMM
140	GR	SHIFT NP
141	G	SECURITY IND LAMP CONT
142	BG	COMBI SW OUTPUT 5
143	P	COMBI SW OUTPUT 1
144	G	COMBI SW OUTPUT 2
145	L	COMBI SW OUTPUT 3
146	SB	COMBI SW OUTPUT 4
150	LG	DRIVER DOOR SW
151	G	REAR WINDOW DEFROSTER RELAY CONT

JRBWC6186GB

STARTING SYSTEM

< SYMPTOM DIAGNOSIS >

SYMPTOM DIAGNOSIS

STARTING SYSTEM

Symptom Table

INFOID:000000008286057

Symptom	Reference
No normal cranking	Refer to STR-2. "Work Flow (With GR8-1200 NI)" or STR-5. "Work Flow (Without GR8-1200 NI)" .
Starter motor does not rotate	

PRECAUTIONS

< PRECAUTION >

PRECAUTION

PRECAUTIONS

Precaution for Supplemental Restraint System (SRS) "AIR BAG" and "SEAT BELT PRE-TENSIONER"

INFOID:000000008286058

The Supplemental Restraint System such as "AIR BAG" and "SEAT BELT PRE-TENSIONER", used along with a front seat belt, helps to reduce the risk or severity of injury to the driver and front passenger for certain types of collision. This system includes seat belt switch inputs and dual stage front air bag modules. The SRS system uses the seat belt switches to determine the front air bag deployment, and may only deploy one front air bag, depending on the severity of a collision and whether the front occupants are belted or unbelted. Information necessary to service the system safely is included in the "SRS AIR BAG" and "SEAT BELT" of this Service Manual.

WARNING:

Always observe the following items for preventing accidental activation.

- To avoid rendering the SRS inoperative, which could increase the risk of personal injury or death in the event of a collision that would result in air bag inflation, all maintenance must be performed by an authorized NISSAN/INFINITI dealer.
- Improper maintenance, including incorrect removal and installation of the SRS, can lead to personal injury caused by unintentional activation of the system. For removal of Spiral Cable and Air Bag Module, see "SRS AIR BAG".
- Never use electrical test equipment on any circuit related to the SRS unless instructed to in this Service Manual. SRS wiring harnesses can be identified by yellow and/or orange harnesses or harness connectors.

PRECAUTIONS WHEN USING POWER TOOLS (AIR OR ELECTRIC) AND HAMMERS

WARNING:

Always observe the following items for preventing accidental activation.

- When working near the Air Bag Diagnosis Sensor Unit or other Air Bag System sensors with the ignition ON or engine running, never use air or electric power tools or strike near the sensor(s) with a hammer. Heavy vibration could activate the sensor(s) and deploy the air bag(s), possibly causing serious injury.
- When using air or electric power tools or hammers, always switch the ignition OFF, disconnect the battery, and wait at least 3 minutes before performing any service.

A

STR

C

D

E

F

G

H

I

J

K

L

M

N

O

P

PREPARATION

< PREPARATION >

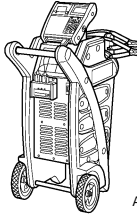
PREPARATION

PREPARATION

Special Service Tools

INFOID:000000008286061

Tool number (Kent-Moore No.) Tool name	Description
<p>— (—) Model GR8-1200 NI Multitasking battery and electrical diagnostic station</p>	<p>Tests batteries, starting and charging systems and charges batteries. For operating instructions, refer to diagnostic station instruction manual.</p>



AWIA1239ZZ

Commercial Service Tools

INFOID:000000008286062

Tool name	Description
<p>Power tool</p>	<p>Loosening bolts, nuts and screws</p>



PIIB1407E

STARTER MOTOR

< REMOVAL AND INSTALLATION >

REMOVAL AND INSTALLATION

STARTER MOTOR

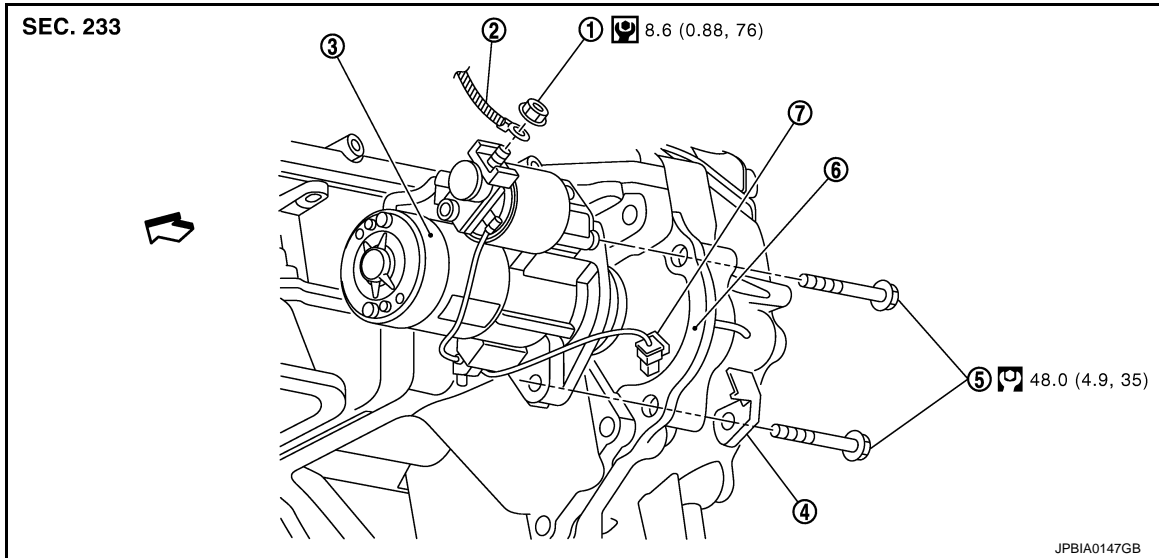
Exploded View

INFOID:000000008286063

A

STR

REMOVAL



- | | | |
|-------------------------|--------------------------------|----------------------|
| 1. "B" terminal nut | 2. "B" terminal harness | 3. Starter motor |
| 4. Harness clip bracket | 5. Starter motor mounting bolt | 6. Converter housing |
| 7. "S" connector | | |

↔ : Engine front

: N-m (kg-m, in-lb)

: N-m (kg-m, ft-lb)

DISASSEMBLY

C

D

E

F

G

H

I

J

K

L

M

N

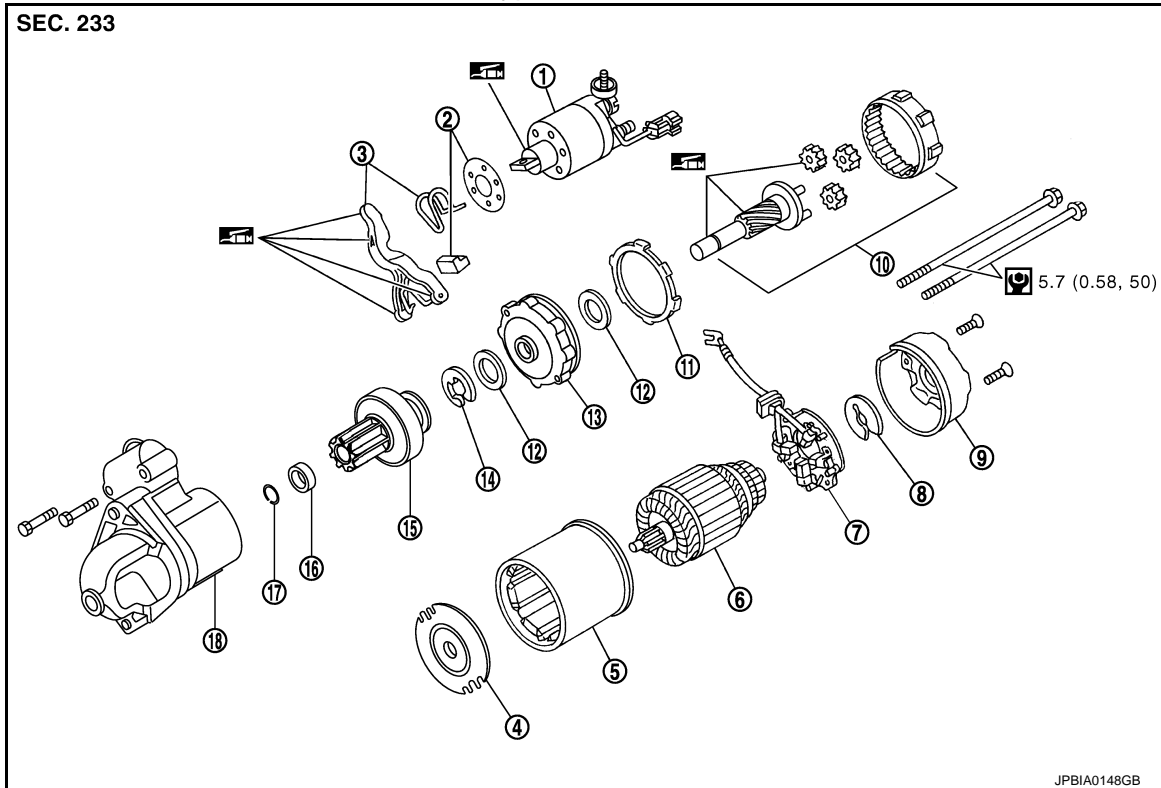
O

P


STARTER MOTOR


< REMOVAL AND INSTALLATION >

Type: S114-932



- | | | |
|-----------------------------|-------------------------|------------------------|
| 1. Magnetic switch assembly | 2. Dust cover kit | 3. Shift lever set |
| 4. Center bracket (A) | 5. Yoke assembly | 6. Armature assembly |
| 7. Brush holder assembly | 8. Thrust washer | 9. Rear cover assembly |
| 10. Shaft gear assembly | 11. Packing | 12. Thrust washer |
| 13. Center bracket (P) | 14. E-ring | 15. Pinion assembly |
| 16. Pinion stopper | 17. Pinion stopper clip | 18. Gear case assembly |

 : High-temperature grease point

 : N-m (kg-m, in-lb)

NOTE:

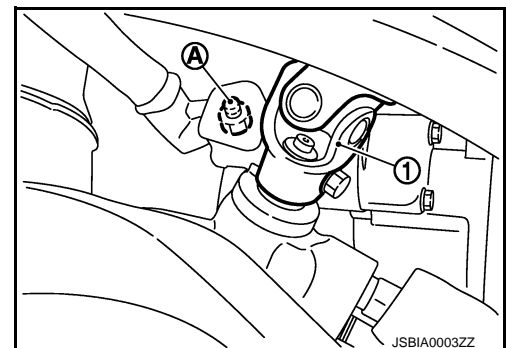
Apply high-temperature grease to lubricate the bearing, gears and frictional surface when assembling the starter.

Removal and Installation

INFOID:000000008286064

REMOVAL

1. Disconnect the battery cable from the negative terminal. Refer to [PG-99, "Removal and Installation"](#).
2. Remove engine undercover, using power tools.
3. Remove exhaust mounting bracket. Refer to [EX-5, "Exploded View"](#).
4. Disconnect steering lower joint (1), then remove it. Refer to [ST-23, "Exploded View"](#).
5. Remove "B" terminal nut (A).

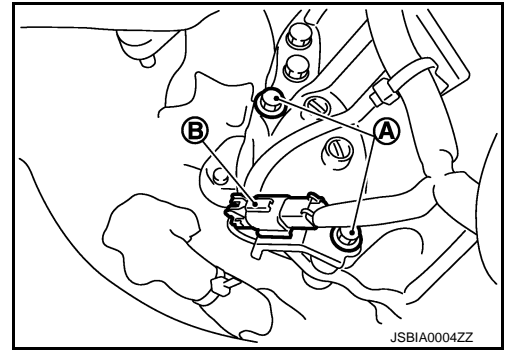


JSBIA0003ZZ

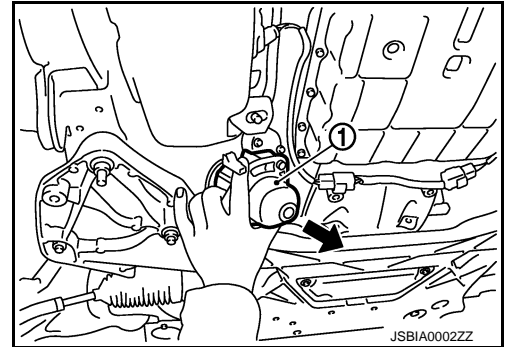
STARTER MOTOR

< REMOVAL AND INSTALLATION >

6. Disconnect "S" connector (B).
7. Remove starter motor mounting bolts (A), using power tools.



8. Remove starter motor (1) downward from the vehicle.



INSTALLATION

Note the following item, and then install in the reverse order of removal.

CAUTION:

Be careful to tighten "B" terminal nut to the specified torque.

A

STR

C

D

E

F

G

H

I

J

K

L

M

N

O

P

SERVICE DATA AND SPECIFICATIONS (SDS)

< SERVICE DATA AND SPECIFICATIONS (SDS)

SERVICE DATA AND SPECIFICATIONS (SDS)

SERVICE DATA AND SPECIFICATIONS (SDS)

Starter Motor

INFOID:000000008286066

Type		S114-932
		HITACHI make
		Reduction gear type
System voltage		[V] 12
No-load	Terminal voltage	[V] 11
	Current	[A] Less than 110
	Revolution	[rpm] More than 2,700