

SECTION **PWO**  
POWER OUTLET

CONTENTS

<b>COMPONENT DIAGNOSIS</b> .....	2	<b>ON-VEHICLE REPAIR</b> .....	5
<b>POWER SOCKET</b> .....	2	<b>POWER SOCKET</b> .....	5
Wiring Diagram - POWER SOCKET - .....	2	<b>FRONT POWER SOCKET</b> .....	5
<b>PRECAUTION</b> .....	4	FRONT POWER SOCKET : Exploded View .....	5
<b>PRECAUTIONS</b> .....	4	FRONT POWER SOCKET : Removal and Instal- lation .....	5
Precaution for Supplemental Restraint System (SRS) "AIR BAG" and "SEAT BELT PRE-TEN- SIONER" .....	4	<b>CONSOLE POWER SOCKET</b> .....	5
		CONSOLE POWER SOCKET : Exploded View .....	5
		CONSOLE POWER SOCKET : Removal and In- stallation .....	5

A  
B  
C  
D  
E  
F  
G  
H  
I  
J  
K  
L  
N  
O  
P

PWO

# POWER SOCKET

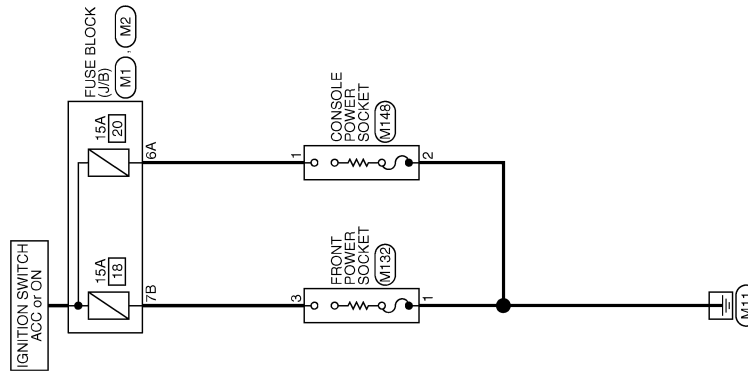
< COMPONENT DIAGNOSIS >

## COMPONENT DIAGNOSIS

### POWER SOCKET

Wiring Diagram - POWER SOCKET -

INFOID:000000003131865



POWER SOCKET









2007/10/26

JCMWM1396G

# POWER SOCKET

## < COMPONENT DIAGNOSIS >

### POWER SOCKET

Connector No.	M1	Connector No.	M132	Connector No.	M2	Connector No.	M148
Connector Name	FUSE BLOCK (J/B)	Connector Name	FRONT POWER SOCKET	Connector Name	FUSE BLOCK (J/B)	Connector Name	CONSOLE POWER SOCKET
Connector Type	NSDFV-M2	Connector Type	NSDFW-CS	Connector Type	NSDFW-CS	Connector Type	P02FB-Z
							
Terminal No.	6A	Terminal No.	3	Terminal No.	TB	Terminal No.	1, 2
Color of Wire	Y	Color of Wire	P	Color of Wire	P	Color of Wire	Y, B
Signal Name [Specification]	-	Signal Name [Specification]	-	Signal Name [Specification]	-	Signal Name [Specification]	-

A  
B  
C  
D  
E  
F  
G  
H  
I  
J  
K  
L  
PWO  
N  
O  
P

JCMWM1397G1

# PRECAUTIONS

< PRECAUTION >

## PRECAUTION

### PRECAUTIONS

#### Precaution for Supplemental Restraint System (SRS) "AIR BAG" and "SEAT BELT PRE-TENSIONER"

INFOID:000000003516017

The Supplemental Restraint System such as "AIR BAG" and "SEAT BELT PRE-TENSIONER", used along with a front seat belt, helps to reduce the risk or severity of injury to the driver and front passenger for certain types of collision. This system includes seat belt switch inputs and dual stage front air bag modules. The SRS system uses the seat belt switches to determine the front air bag deployment, and may only deploy one front air bag, depending on the severity of a collision and whether the front occupants are belted or unbelted. Information necessary to service the system safely is included in the "SRS AIRBAG" and "SEAT BELT" of this Service Manual.

**WARNING:**

- **To avoid rendering the SRS inoperative, which could increase the risk of personal injury or death in the event of a collision which would result in air bag inflation, all maintenance must be performed by an authorized NISSAN/INFINITI dealer.**
- **Improper maintenance, including incorrect removal and installation of the SRS, can lead to personal injury caused by unintentional activation of the system. For removal of Spiral Cable and Air Bag Module, see the "SRS AIRBAG".**
- **Do not use electrical test equipment on any circuit related to the SRS unless instructed to in this Service Manual. SRS wiring harnesses can be identified by yellow and/or orange harnesses or harness connectors.**

# POWER SOCKET

< ON-VEHICLE REPAIR >

## ON-VEHICLE REPAIR

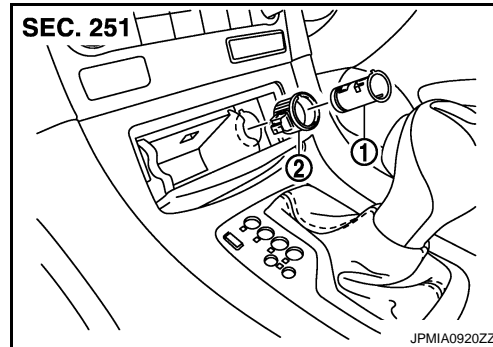
### POWER SOCKET

#### FRONT POWER SOCKET

#### FRONT POWER SOCKET : Exploded View

INFOID:000000003523693

- 1 : Inner socket
- 2 : Ring



#### FRONT POWER SOCKET : Removal and Installation

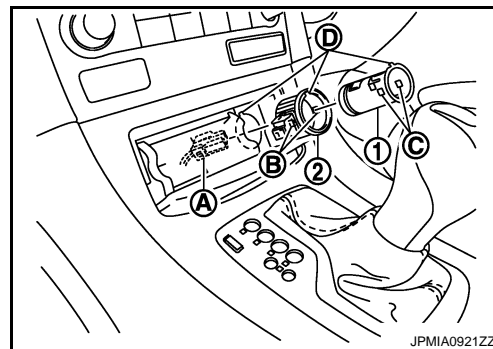
INFOID:000000003523694

##### REMOVAL

1. Remove the console finisher assembly. Refer to [JP-22, "Removal and Installation"](#).
2. Disconnect the power socket connector (A).

D : Cut out

3. Pull out the inner socket (1) by pushing the ring pawl (B) from the inner socket hole (square) (C).
4. Remove the ring (2) from the console finisher assembly while pressing pawls.



##### INSTALLATION

Install in the reverse order of removal.

##### NOTE:

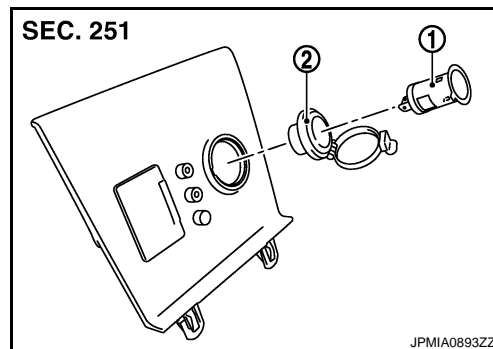
Align the inner socket, the ring and the console finisher assembly cut out.

## CONSOLE POWER SOCKET

#### CONSOLE POWER SOCKET : Exploded View

INFOID:000000003131869

- 1 : Inner socket
- 2 : Ring



#### CONSOLE POWER SOCKET : Removal and Installation

INFOID:000000003131870

##### REMOVAL

A  
B  
C  
D  
E  
F  
G  
H  
I  
J  
K  
L  
N  
O  
P

PWO

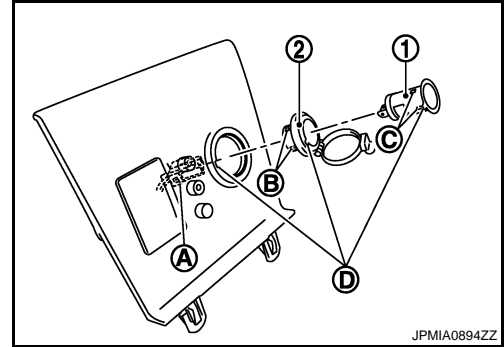
## POWER SOCKET

### < ON-VEHICLE REPAIR >

1. Remove the console finisher. Refer to [JP-22, "Removal and Installation"](#).
2. Disconnect the power socket connector (A).

D : Cut out

3. Pull out the inner socket (1) by pushing the ring pawl (B) from the inner socket hole (square) (C).
4. Remove the ring (2) from the console finisher while pressing pawls.



### INSTALLATION

Install in the reverse order of removal.

#### **NOTE:**

Align the inner socket, the ring and the console finisher cut out.