

SECTION **PWO**
POWER OUTLET

A
B
C
D
E
F
G
H
I
J
K
L
N
O
P

CONTENTS

DTC/CIRCUIT DIAGNOSIS	2	REMOVAL AND INSTALLATION	5
POWER SOCKET	2	POWER SOCKET	5
Wiring Diagram - POWER SOCKET -	2	FRONT POWER SOCKET	5
PRECAUTION	4	FRONT POWER SOCKET : Exploded View	5
PRECAUTIONS	4	FRONT POWER SOCKET : Removal and Instal- lation	5
Precaution for Supplemental Restraint System (SRS) "AIR BAG" and "SEAT BELT PRE-TEN- SIONER"	4	CONSOLE POWER SOCKET	5
		CONSOLE POWER SOCKET : Exploded View	5
		CONSOLE POWER SOCKET : Removal and In- stallation	5

PWO

POWER SOCKET

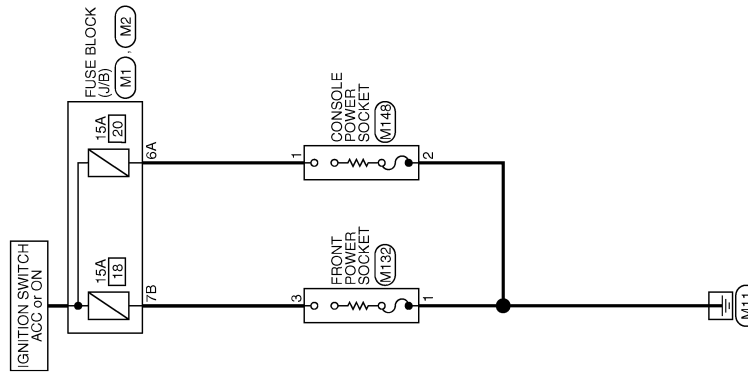
< DTC/CIRCUIT DIAGNOSIS >

DTC/CIRCUIT DIAGNOSIS

POWER SOCKET

Wiring Diagram - POWER SOCKET -

INFOID:000000004345163



POWER SOCKET

2008/08/28

JCMWA3117GB

POWER SOCKET

< DTC/CIRCUIT DIAGNOSIS >

POWER SOCKET

Connector No.	M1
Connector Name	FUSE BLOCK (J/B)
Connector Type	NS06FW-M2



Terminal No.	6A	Y		Signal Name [Specification]
Color of Wire				

Connector No.	M2
Connector Name	FUSE BLOCK (J/B)
Connector Type	NS10FW-CS



Terminal No.	7B	P		Signal Name [Specification]
Color of Wire				

Connector No.	M132
Connector Name	FRONT POWER SOCKET
Connector Type	NS03FW-CS



Terminal No.	1	B		Signal Name [Specification]
Color of Wire				
Terminal No.	3	P		

Connector No.	M148
Connector Name	CONSOLE POWER SOCKET
Connector Type	PR02FB-Z



Terminal No.	1	Y		Signal Name [Specification]
Color of Wire				
Terminal No.	2	B		

A
B
C
D
E
F
G
H
I
J
K
L
PWO
N
O
P

JCMWA3118GB

PRECAUTIONS

< PRECAUTION >

PRECAUTION

PRECAUTIONS

Precaution for Supplemental Restraint System (SRS) "AIR BAG" and "SEAT BELT PRE-TENSIONER"

INFOID:000000004715373

The Supplemental Restraint System such as "AIR BAG" and "SEAT BELT PRE-TENSIONER", used along with a front seat belt, helps to reduce the risk or severity of injury to the driver and front passenger for certain types of collision. This system includes seat belt switch inputs and dual stage front air bag modules. The SRS system uses the seat belt switches to determine the front air bag deployment, and may only deploy one front air bag, depending on the severity of a collision and whether the front occupants are belted or unbelted. Information necessary to service the system safely is included in the "SRS AIR BAG" and "SEAT BELT" of this Service Manual.

WARNING:

- To avoid rendering the SRS inoperative, which could increase the risk of personal injury or death in the event of a collision that would result in air bag inflation, all maintenance must be performed by an authorized NISSAN/INFINITI dealer.
- Improper maintenance, including incorrect removal and installation of the SRS, can lead to personal injury caused by unintentional activation of the system. For removal of Spiral Cable and Air Bag Module, see the "SRS AIR BAG".
- Do not use electrical test equipment on any circuit related to the SRS unless instructed to in this Service Manual. SRS wiring harnesses can be identified by yellow and/or orange harnesses or harness connectors.

PRECAUTIONS WHEN USING POWER TOOLS (AIR OR ELECTRIC) AND HAMMERS

WARNING:

- When working near the Air Bag Diagnosis Sensor Unit or other Air Bag System sensors with the ignition ON or engine running, DO NOT use air or electric power tools or strike near the sensor(s) with a hammer. Heavy vibration could activate the sensor(s) and deploy the air bag(s), possibly causing serious injury.
- When using air or electric power tools or hammers, always switch the ignition OFF, disconnect the battery, and wait at least 3 minutes before performing any service.

POWER SOCKET

< REMOVAL AND INSTALLATION >

REMOVAL AND INSTALLATION

POWER SOCKET

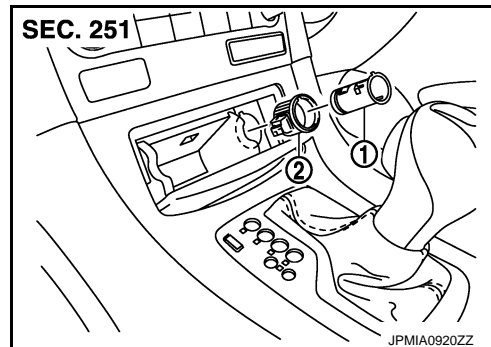
FRONT POWER SOCKET

FRONT POWER SOCKET : Exploded View

INFOID:000000004345165

1 : Inner socket

2 : Ring



FRONT POWER SOCKET : Removal and Installation

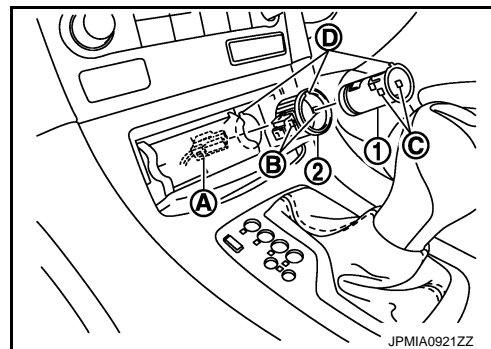
INFOID:000000004345166

REMOVAL

1. Remove console finisher assembly. Refer to [IP-23, "Exploded View"](#).
2. Disconnect power socket connector (A).

D : Cut out

3. Pull out inner socket (1) by pushing the ring pawl (B) from the inner socket hole (square) (C).
4. Remove ring (2) from console finisher assembly while pressing pawls.



INSTALLATION

Install in the reverse order of removal.

NOTE:

Align the cut outs of inner socket, ring, and console finisher assembly.

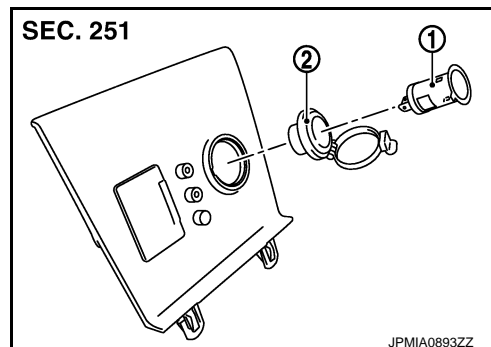
CONSOLE POWER SOCKET

CONSOLE POWER SOCKET : Exploded View

INFOID:000000004345167

1 : Inner socket

2 : Ring



CONSOLE POWER SOCKET : Removal and Installation

INFOID:000000004345168

REMOVAL

A
B
C
D
E
F
G
H
I
J
K
L

PWO

N
O
P

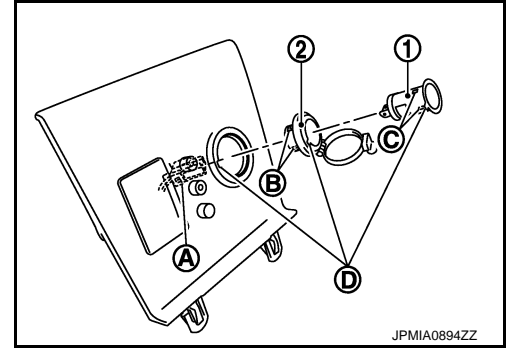
POWER SOCKET

< REMOVAL AND INSTALLATION >

1. Remove console finisher. Refer to [JP-23. "Exploded View"](#).
2. Disconnect power socket connector (A).

D : Cut out

3. Pull out inner socket (1) by pushing the ring pawl (B) from the inner socket hole (square) (C).
4. Remove ring (2) from console finisher while pressing pawls.



JPMIA0894ZZ

INSTALLATION

Install in the reverse order of removal.

NOTE:

Align the cut outs of inner socket, ring, and console finisher.