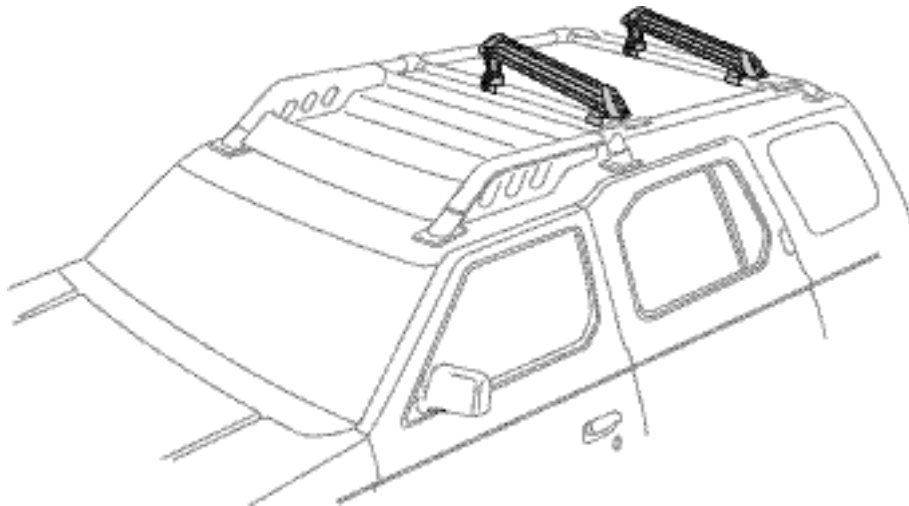


INSTALLATION INSTRUCTIONS

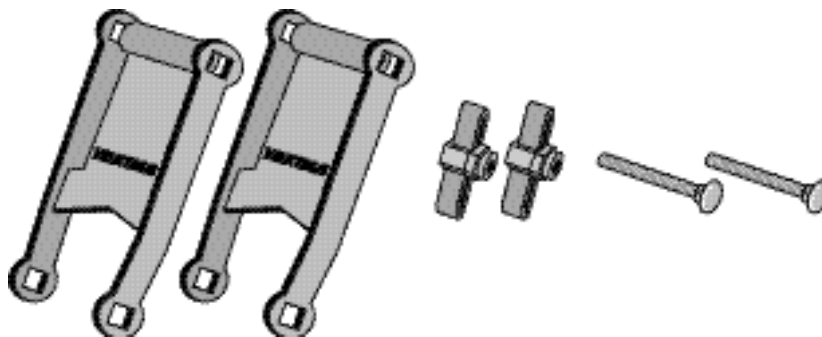
1 DESCRIPTIONS: SKI ADAPTOR

2 APPLICATION: Refer to the Dealer Accessory Chart for specific vehicle application.

3 PART NUMBER: 999R1-KL003



4 KIT CONTENTS:



5 TOOLS REQUIRED

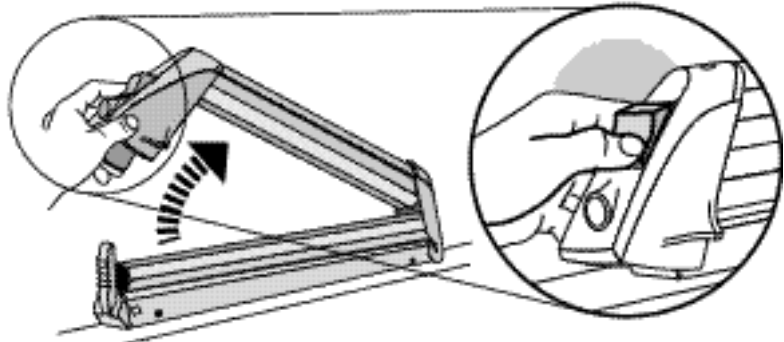
None Required

6 INSTALLATION STEP 1

NOTE: Vertical Mighty Mounts purchased separately. See NISSAN accessory application chart. Bar shape shown is for illustration purpose only. Your cross bar may look different.

Set the mount to open position.

Push the red button to release



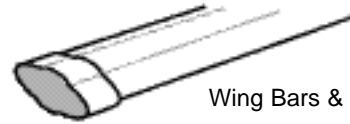
STEP 2

Determine the shape of your cross bars:

Round Bars



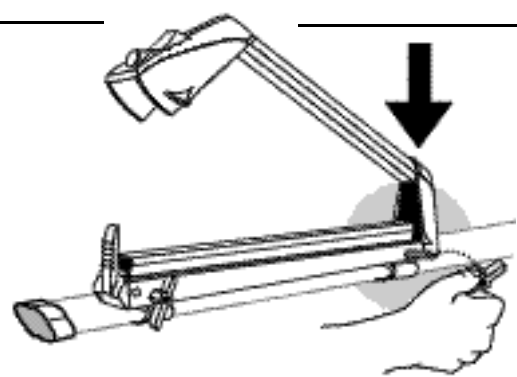
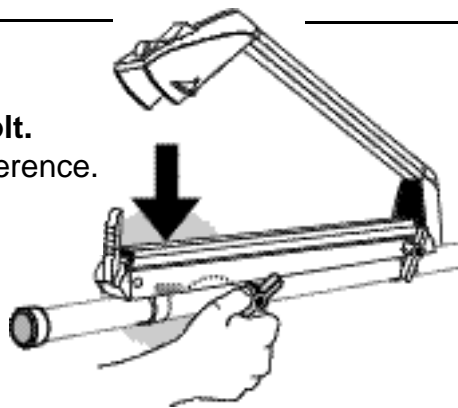
Wing Bars & Factory Racks



STEP 3

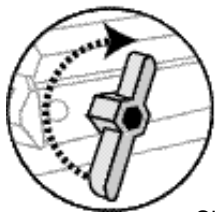
Remove hex key and bolt.

Follow illustrations for reference.

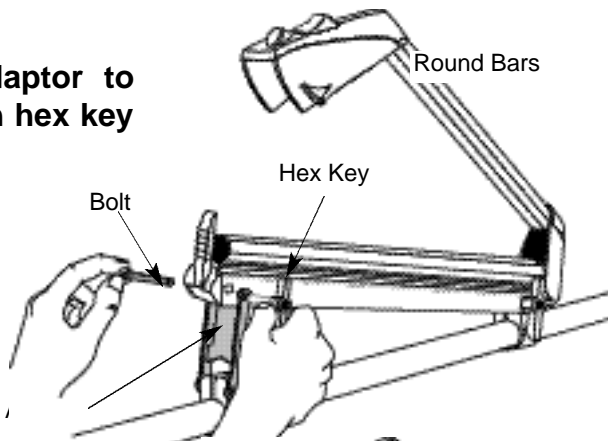


STEP 4

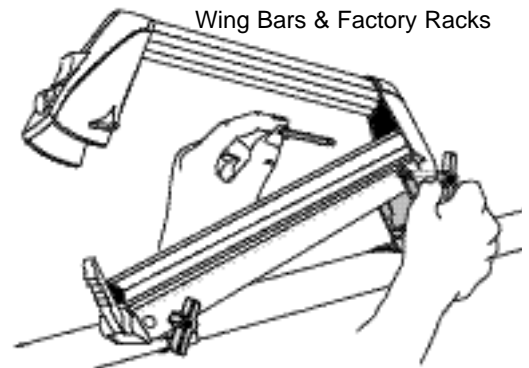
Attach Ski Adaptor to Ski carrier with hex key and bolt.



Ski



Wing Bars & Factory Racks



STEP 5

Align holes with bolt and attach hex key to bars.

