



INFINITI

GENUINE PARTS

INSTALLATION INSTRUCTIONS

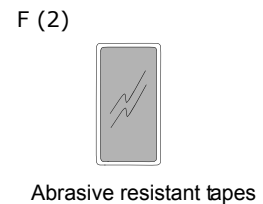
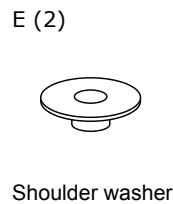
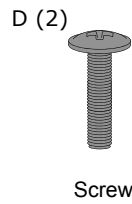
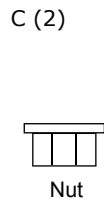
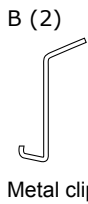
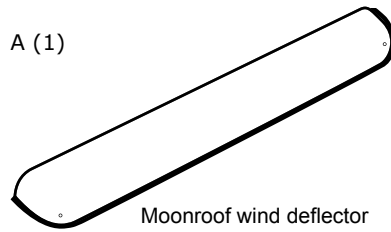
1. DESCRIPTION: Moonroof Wind Deflector

2. APPLICATION: Infiniti EX35

3. PART NUMBER: 999D4 5U000

4. KIT CONTENTS:

Item No.	Qty	Description
A	1	Moonroof wind deflector
B	2	Metal clips
C	2	Nuts
D	2	Screws
E	2	Shoulder washers
F	2	Abrasive resistant tapes
G	1	Alcohol wipe



5. TOOLS REQUIRED:

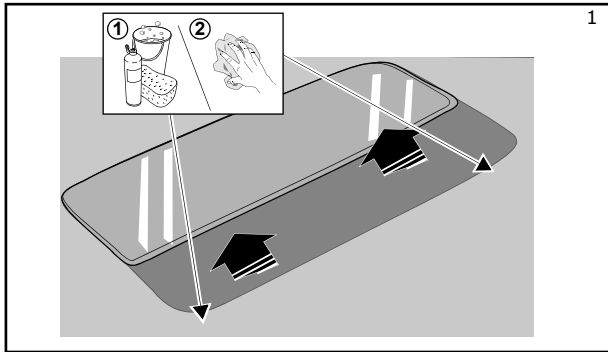
- Masking tape
- Clean rag
- Tape measure
- 10 mm wrench
- 4mm hex drive (allen wrench)

6. PRE-INSTALLATION CAUTIONS / NOTES:

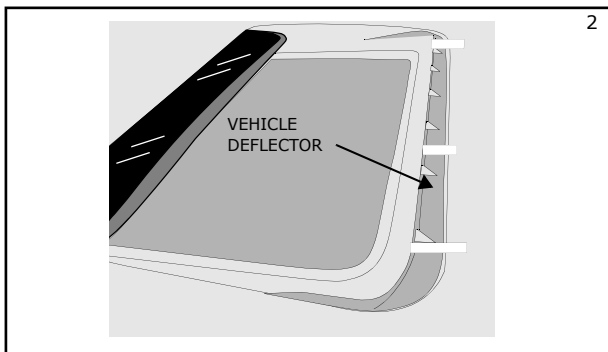
- Clean moonroof with mild soap and water using a soft cloth or chamois.
- Do not over tighten screws.

INSTALLATION INSTRUCTIONS - Moonroof Wind Deflector Kit

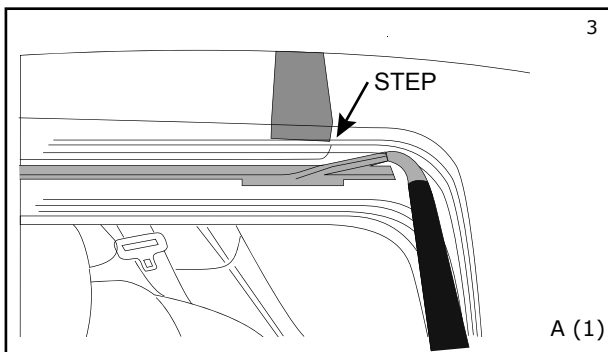
7. INSTALLATION PROCEDURE:



1. Clean installation areas thoroughly and open the moonroof window.

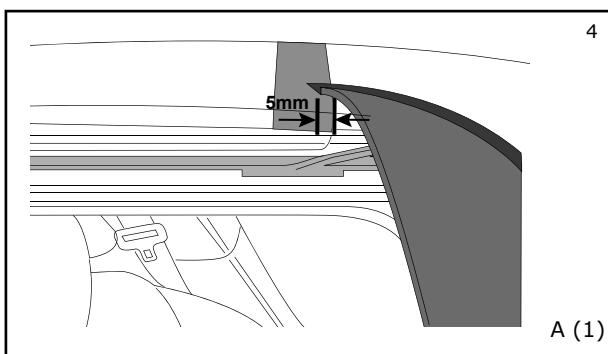
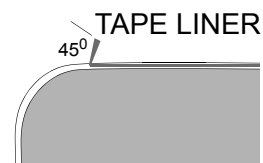


2. Locate the vehicle deflector at the front of the moonroof opening – this is the flap that raises when the moonroof window is opened. Use Masking tape to hold down the vehicle deflector during the installation.



3. Locate the step in the moonroof opening sheetmetal flange on the sides of the moonroof (see attached figure). Apply masking tape from the step up and over the roof perpendicular to the moonroof opening per the image.

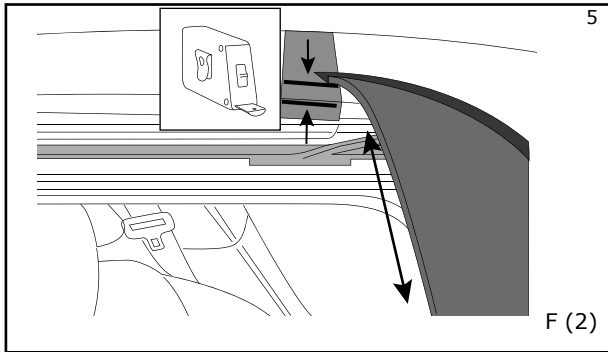
Peel back approx. 50mm (2") of tape liner from EACH of the tape sections and fold at 45° to outside of Moonroof Wind Deflector.



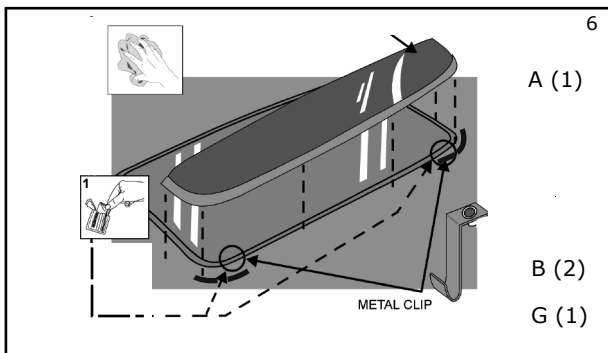
4. Align the back inside corner of the moonroof wind deflector (not the seal) on the roof approx 5mm rearward of the front edge of the masking tape.

NOTE: DO NOT PUSH DOWN ON DEFLECTOR OVER SEAL AREAS AS THIS MAY CAUSE EXPOSED TAPE TO TOUCH SHEET METAL, PREVENTING ADJUSTMENT AND WEAKENING BOND STRENGTH OF TAPE.

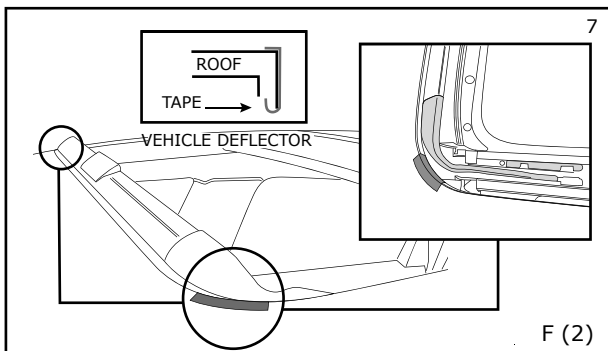
INSTALLATION INSTRUCTIONS - Moonroof Wind Deflector Kit



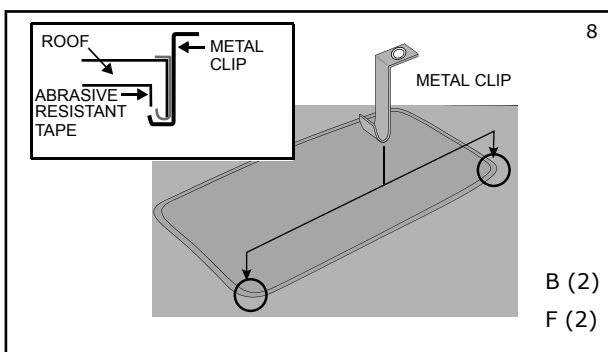
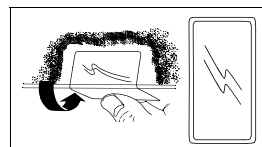
5. Measure the distance from the inside of the moonroof wind deflector to the moonroof opening on both sides and move the moonroof wind deflector left and right on the vehicle until this distance is equal on both sides. Tape the front of the moonroof wind deflector to the roof of the vehicle with masking tape to prevent the deflector from moving.



6. Trial fit the metal clips onto the roof by locating the hook under the roof flange at the moonroof opening. Align the hole in the clip with the hole in the moonroof wind deflector. Note clip locations, remove clips and clean these areas with the alcohol wipe provided. Remove any remaining residue or moisture with a dry clean cloth.



7. Apply the abrasive resistant tape to the cleaned areas, ensuring the tape is wrapped around and underneath the roof flange as shown in the top left hand corner of Figure 7. Repeat procedure for the other side

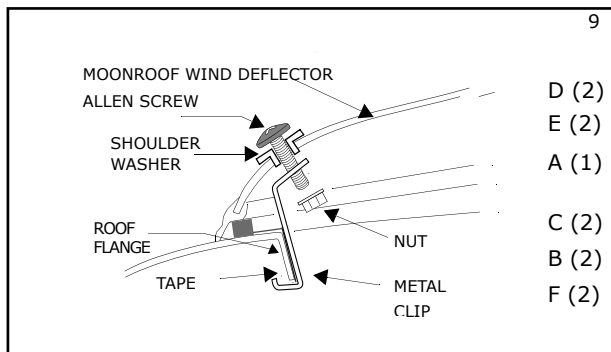


8. Re-fit the clips making sure it rest on the abrasive resistant tape and not on the vehicle's body paint.

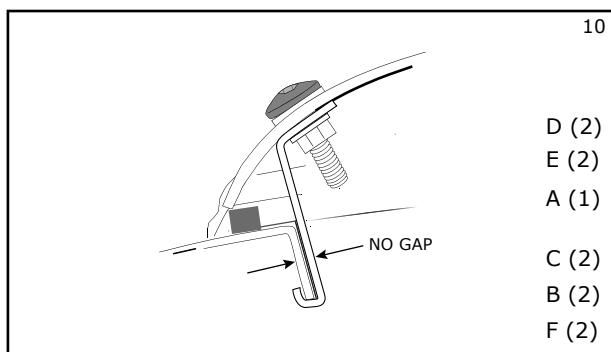
NOTE: DO NOT BEND THE CLIPS DURING INSTALLATION. THE CLIP SHOULD STAY FLAT AGAINST THE ROOF FLANGE.

NOTE: FAILURE TO ENSURE THAT THE CLIP RESTS ON THE ABRASIVE RESISTANT TAPE MAY RESULT IN PERMANENT PAINT DAMAGE. REPOSITION TAPE IF NECESSARY.

INSTALLATION INSTRUCTIONS - Moonroof Wind Deflector Kit

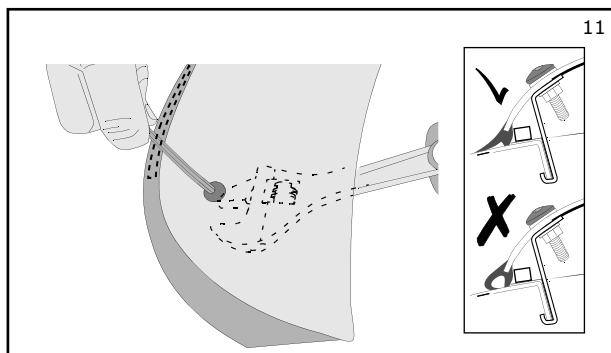


9. Hand tighten the Moonroof Wind Deflector to both clips using the Allen screws, shoulder washers and nuts provided as per Figure 10.

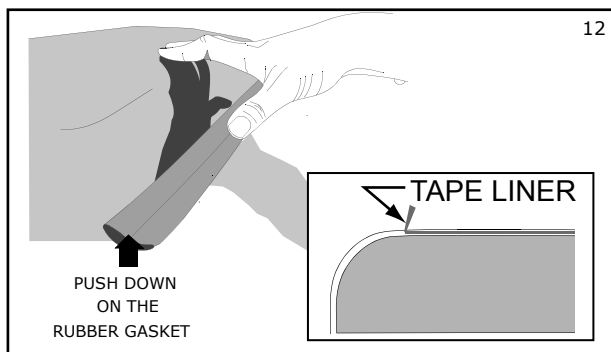


10. Check to ensure the clip is in a vertical position and stays flat against the moonroof opening flange. Remove the masking tape from the moonroof wind deflector.

NOTE: IF THERE IS A GAP, THIS COULD RESULT IN OBJECTIONABLE WIND NOISE. ADJUST DEFLECTOR AND SIDE BRACKETS FORWARD TO ELIMINATE GAP. SEE FIGURE 10.



11. Using an allen key and a wrench, start to tighten one end while at the same time applying pressure to the top front corner near the screw to ensure the rubber gasket is flat against the roof and not curling under itself. Do the same for the other side. Check to ensure the clips have not moved and then tighten both sides. Do not overtighten. The recommended torque setting for the screws and nuts is 5-7 lbf-in.



12. Remove tape liner completely and then rubber gasket to wet-out the tape.