

SECTION **BRC**

BRAKE CONTROL SYSTEM

A

B

C

D

E

CONTENTS

VDC/TCS/ABS		
BASIC INSPECTION	5	
DIAGNOSIS AND REPAIR WORK FLOW	5	
Work Flow	5	
Diagnostic Work Sheet	8	
INSPECTION AND ADJUSTMENT	9	
ADDITIONAL SERVICE WHEN REPLACING CONTROL UNIT	9	
ADDITIONAL SERVICE WHEN REPLACING CONTROL UNIT : Description	9	
ADDITIONAL SERVICE WHEN REPLACING CONTROL UNIT : Special Repair Requirement	9	
ADJUSTMENT OF STEERING ANGLE SENSOR NEUTRAL POSITION	9	
ADJUSTMENT OF STEERING ANGLE SENSOR NEUTRAL POSITION : Description	9	
ADJUSTMENT OF STEERING ANGLE SENSOR NEUTRAL POSITION : Special Repair Requirement	9	
SYSTEM DESCRIPTION	11	
VDC	11	
System Diagram	11	
System Description	12	
Component Parts Location	13	
Component Description	15	
TCS	16	
System Diagram	16	
System Description	17	
Component Parts Location	18	
Component Description	20	
ABS	21	
System Diagram	21	
System Description	22	
Component Parts Location	23	
Component Description	25	
EBD	26	
System Diagram	26	
System Description	27	
Component Parts Location	28	
Component Description	30	
DIAGNOSIS SYSTEM [ABS ACTUATOR AND ELECTRIC UNIT (CONTROL UNIT)]	31	
CONSULT-III Function	31	
DTC/CIRCUIT DIAGNOSIS	37	
C1101, C1102, C1103, C1104 WHEEL SENSOR	37	
Description	37	
DTC Logic	37	
Diagnosis Procedure	37	
Special Repair Requirement	38	
C1105, C1106, C1107, C1108 WHEEL SENSOR	39	
Description	39	
DTC Logic	39	
Diagnosis Procedure	39	
Special Repair Requirement	40	
C1109 POWER AND GROUND SYSTEM	42	
Description	42	
DTC Logic	42	
Diagnosis Procedure	42	
Special Repair Requirement	43	
C1110, C1153, C1170 ABS ACTUATOR AND ELECTRIC UNIT (CONTROL UNIT)	44	
DTC Logic	44	
Diagnosis Procedure	44	
Special Repair Requirement	44	

BRC

G

H

I

J

K

L

M

N

O

P

C1111 ABS MOTOR, MOTOR RELAY SYSTEM	45	C1145, C1146 YAW RATE/SIDE G SENSOR...	63
Description	45	Description	63
DTC Logic	45	DTC Logic	63
Diagnosis Procedure	45	Diagnosis Procedure	63
Special Repair Requirement	46	Special Repair Requirement	65
C1114 ACTUATOR RELAY SYSTEM	47	C1147, C1148, C1149, C1150 USV/HSV LINE..	66
Description	47	Description	66
DTC Logic	47	DTC Logic	66
Diagnosis Procedure	47	Diagnosis Procedure	66
Special Repair Requirement	48	Special Repair Requirement	67
C1115 WHEEL SENSOR	49	C1154 TRANSMISSION RANGE SWITCH	68
Description	49	Description	68
DTC Logic	49	DTC Logic	68
Diagnosis Procedure	49	Diagnosis Procedure	68
Special Repair Requirement	50	Special Repair Requirement	68
C1116 STOP LAMP SWITCH	51	C1155 BRAKE FLUID LEVEL SWITCH	69
Description	51	Description	69
DTC Logic	51	DTC Logic	69
Diagnosis Procedure	51	Diagnosis Procedure	69
Component Inspection	52	Component Inspection	70
Special Repair Requirement	52	Special Repair Requirement	70
C1120, C1122, C1124, C1126 IN ABS SOL	53	C1185 ICC UNIT	71
Description	53	Description	71
DTC Logic	53	DTC Logic	71
Diagnosis Procedure	53	Diagnosis Procedure	71
Special Repair Requirement	54	Special Repair Requirement	71
C1121, C1123, C1125, C1127 OUT ABS SOL..	55	U1000, U1002 CAN COMM CIRCUIT	72
Description	55	Description	72
DTC Logic	55	DTC Logic	72
Diagnosis Procedure	55	Diagnosis Procedure	72
Special Repair Requirement	56	Special Repair Requirement	72
C1130 ENGINE SIGNAL	57	U1100 CAN COMM CIRCUIT (ICC UNIT)	73
Description	57	Description	73
DTC Logic	57	DTC Logic	73
Diagnosis Procedure	57	Diagnosis Procedure	73
Special Repair Requirement	57	Special Repair Requirement	73
C1142 PRESS SENSOR	58	POWER SUPPLY AND GROUND CIRCUIT	74
Description	58	Description	74
DTC Logic	58	Diagnosis Procedure	74
Diagnosis Procedure	58	PARKING BRAKE SWITCH	76
Special Repair Requirement	58	Component Function Check	76
C1143 STEERING ANGLE SENSOR	60	Diagnosis Procedure	76
Description	60	Component Inspection	76
DTC Logic	60	VDC OFF SWITCH	78
Diagnosis Procedure	60	Description	78
Special Repair Requirement	61	Component Function Check	78
C1144 INCOMPLETE STEERING ANGLE		Diagnosis Procedure	78
SENSOR ADJUSTMENT	62	Component Inspection	79
DTC Logic	62	ABS WARNING LAMP	80
Diagnosis Procedure	62	Description	80
Special Repair Requirement	62	Component Function Check	80

Diagnosis Procedure	80	PREPARATION	105	
BRAKE WARNING LAMP	81	PREPARATION	105	A
Description	81	Special Service Tool	105	
Component Function Check	81	Commercial Service Tool	105	B
Diagnosis Procedure	81	REMOVAL AND INSTALLATION	106	
VDC OFF INDICATOR LAMP	82	WHEEL SENSOR	106	C
Description	82	FRONT WHEEL SENSOR	106	
Component Function Check	82	FRONT WHEEL SENSOR : Exploded View	106	D
Diagnosis Procedure	82	FRONT WHEEL SENSOR : Removal and Installation	106	
SLIP INDICATOR LAMP	83	REAR WHEEL SENSOR	107	E
Description	83	REAR WHEEL SENSOR : Exploded View	107	
Component Function Check	83	REAR WHEEL SENSOR : Removal and Installation	107	
Diagnosis Procedure	83	SENSOR ROTOR	108	BRC
ECU DIAGNOSIS INFORMATION	84	FRONT SENSOR ROTOR	108	
ABS ACTUATOR AND ELECTRIC UNIT (CONTROL UNIT)	84	FRONT SENSOR ROTOR : Exploded View	108	G
Reference Value	84	FRONT SENSOR ROTOR : Removal and Installation	108	
Wiring Diagram - BRAKE CONTROL SYSTEM -	89	REAR SENSOR ROTOR	108	H
Fail-Safe	93	REAR SENSOR ROTOR : Exploded View	108	
DTC No. Index	94	REAR SENSOR ROTOR : Removal and Installation	108	I
SYMPTOM DIAGNOSIS	96	ABS ACTUATOR AND ELECTRIC UNIT (CONTROL UNIT)	109	J
EXCESSIVE ABS FUNCTION OPERATION FREQUENCY	96	Exploded View	109	
Diagnosis Procedure	96	Removal and Installation	109	
UNEXPECTED PEDAL REACTION	97	YAW RATE/SIDE G SENSOR	111	K
Diagnosis Procedure	97	Exploded View	111	
THE BRAKING DISTANCE IS LONG	98	Removal and Installation	111	L
Diagnosis Procedure	98	STEERING ANGLE SENSOR	112	
ABS FUNCTION DOES NOT OPERATE	99	Exploded View	112	M
Diagnosis Procedure	99	Removal and Installation	112	
PEDAL VIBRATION OR ABS OPERATION SOUND OCCURS	100	BRAKE ASSIST		
Diagnosis Procedure	100	SYSTEM DESCRIPTION	113	N
VEHICLE JERKS DURING VDC/TCS/ABS CONTROL	101	PREVIEW FUNCTION	113	
Diagnosis Procedure	101	System Description	113	O
NORMAL OPERATING CONDITION	102	Component Parts Location	114	
Description	102	Component Description	115	
PRECAUTION	103	DTC/CIRCUIT DIAGNOSIS	116	P
PRECAUTIONS	103	PREVIEW FUNCTION	116	
Precaution for Supplemental Restraint System (SRS) "AIR BAG" and "SEAT BELT PRE-TENSIONER"	103	Diagnosis Procedure	116	
Precaution for Brake System	103	SYMPTOM DIAGNOSIS	117	
Precaution for Brake Control	104	NORMAL OPERATING CONDITION	117	
Precautions for Harness Repair	104	Description	117	

PRECAUTION	118	SWITCH DOES NOT TURN ON / SWITCH DOES NOT TURN OFF	123
PRECAUTIONS	118	Symptom Table	123
Precautions for Preview Function Service	118	Description	123
INTELLIGENT BRAKE ASSIST		Diagnosis Procedure	123
SYSTEM DESCRIPTION	119	NORMAL OPERATING CONDITION	125
INTELLIGENT BRAKE ASSIST	119	Description	125
System Description	119	PRECAUTION	126
Component Parts Location	120	PRECAUTIONS	126
Component Description	121	Precautions for IBA System Service	126
DTC/CIRCUIT DIAGNOSIS	122	REMOVAL AND INSTALLATION	127
INTELLIGENT BRAKE ASSIST	122	IBA OFF SWITCH	127
Diagnosis Procedure	122	Removal and Installation	127
SYMPTOM DIAGNOSIS	123		

BASIC INSPECTION

DIAGNOSIS AND REPAIR WORK FLOW

Work Flow

INFOID:000000005173696

PRECAUTIONS FOR DIAGNOSIS

If steering angle sensor, steering system parts, suspension system parts, ABS actuator and electric unit (control unit) or tires have been replaced, or if wheel alignment has been adjusted, be sure to adjust neutral position of steering angle sensor before driving. Refer to [BRC-9, "ADJUSTMENT OF STEERING ANGLE SENSOR NEUTRAL POSITION : Description"](#).

- A
- B
- C
- D
- E
- F
- G
- H
- I
- J
- K
- L
- M
- N
- O
- P

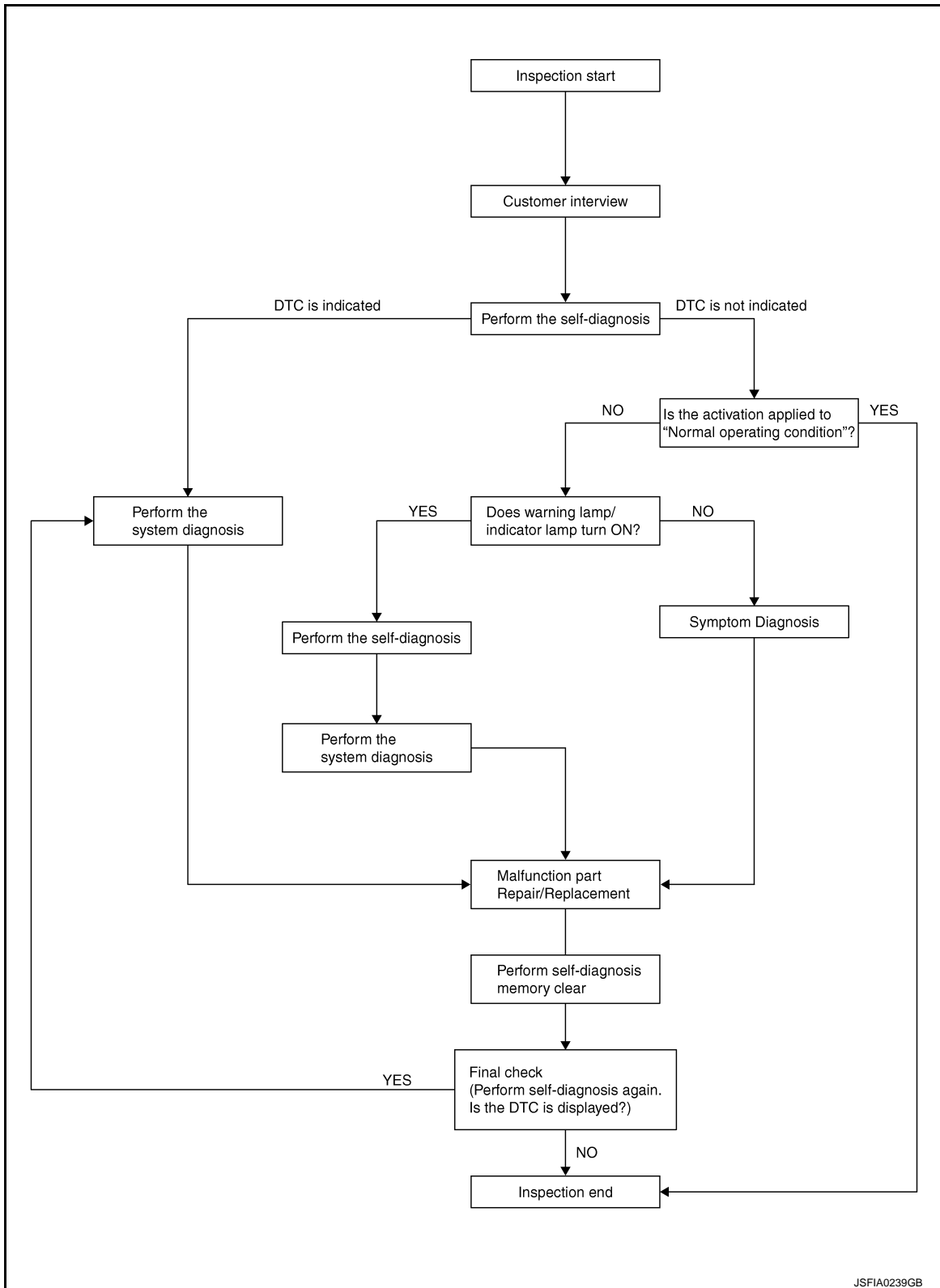
BRC

DIAGNOSIS AND REPAIR WORK FLOW

< BASIC INSPECTION >

[VDC/TCS/ABS]

OVERALL SEQUENCE



DETAILED FLOW

1. COLLECT THE INFORMATION FROM THE CUSTOMER

Get the detailed information from the customer about the symptom (the condition and the environment when the incident/malfunction occurred) using the diagnosis work sheet. Refer to [BRC-8, "Diagnostic Work Sheet"](#).

>> GO TO 2.

DIAGNOSIS AND REPAIR WORK FLOW

< BASIC INSPECTION >

[VDC/TCS/ABS]

2. PERFORM THE SELF-DIAGNOSIS

Perform self-diagnosis for "ABS" with CONSULT-III.

Is there any DTC displayed?

YES >> GO TO 3.

NO >> GO TO 4.

3. PERFORM THE SYSTEM DIAGNOSIS

Perform the diagnosis applicable to the displayed DTC of "ABS" with CONSULT-III. Refer to [BRC-94, "DTC No. Index"](#).

>> GO TO 7.

4. CHECK THE SYMPTOM THAT IS NOT CONSIDERED A SYSTEM MALFUNCTION

Check that the symptom is a normal operation that is not considered a system malfunction. Refer to [BRC-102, "Description"](#).

Is the symptom a normal operation?

YES >> INSPECTION END

NO >> GO TO 5.

5. CHECK THE WARNING LAMP AND INDICATOR LAMP FOR ILLUMINATION

Check that the warning lamp and indicator lamp illuminate.

- ABS warning lamp: Refer to [BRC-80, "Description"](#).
- Brake warning lamp: Refer to [BRC-81, "Description"](#).
- VDC OFF indicator lamp: Refer to [BRC-82, "Description"](#).
- SLIP indicator lamp: Refer to [BRC-83, "Description"](#).

Is ON/OFF timing normal?

YES >> GO TO 6.

NO >> GO TO 2.

6. PERFORM THE DIAGNOSIS BY SYMPTOM

Perform self-diagnosis for "ABS" with CONSULT-III.

>> GO TO 7.

7. REPAIR OR REPLACE THE MALFUNCTIONING PARTS

Repair or replace the specified malfunctioning parts.

>> GO TO 8.

8. MEMORY CLEAR

Perform self-diagnosis memory clear for "ABS" with CONSULT-III.

>> GO TO 9.

9. FINAL CHECK

Perform the self-diagnosis again, and check that the malfunction is repaired completely.

Is no other DTC present and the repair completed?

YES >> INSPECTION END

NO >> GO TO 3.

A
B
C
D
E
G
H
I
J
K
L
M
N
O
P

BRC

DIAGNOSIS AND REPAIR WORK FLOW

< BASIC INSPECTION >

[VDC/TCS/ABS]

Diagnostic Work Sheet

INFOID:000000005173697

Customer name MR/MS	Model & Year	VIN	
Engine #	Trans.	Mileage	
Incident Date	Manuf. Date	In Service Date	
Symptoms	<input type="checkbox"/> Noise and vibration (from engine compartment) <input type="checkbox"/> Noise and vibration (from axle)	<input type="checkbox"/> Warning / Indicator activate	<input type="checkbox"/> Firm pedal operation <input type="checkbox"/> Large stroke pedal operation
	<input type="checkbox"/> TCS does not work (Rear wheels slip when accelerating)	<input type="checkbox"/> ABS does not work (Wheels lock when braking)	<input type="checkbox"/> Lack of sense of acceleration
Engine conditions	<input type="checkbox"/> When starting <input type="checkbox"/> After starting		
Road conditions	<input type="checkbox"/> Low friction road (<input type="checkbox"/> Snow <input type="checkbox"/> Gravel <input type="checkbox"/> Other) <input type="checkbox"/> Bumps / potholes		
Driving conditions	<input type="checkbox"/> Full-acceleration <input type="checkbox"/> High speed cornering <input type="checkbox"/> Vehicle speed: Greater than 10 km/h (6 MPH) <input type="checkbox"/> Vehicle speed: 10 km/h (6 MPH) or less <input type="checkbox"/> Vehicle is stopped		
Applying brake conditions	<input type="checkbox"/> Suddenly <input type="checkbox"/> Gradually		
Other conditions	<input type="checkbox"/> Operation of electrical equipment <input type="checkbox"/> Shift change <input type="checkbox"/> Other descriptions		

SFIA3265E

INSPECTION AND ADJUSTMENT

ADDITIONAL SERVICE WHEN REPLACING CONTROL UNIT

ADDITIONAL SERVICE WHEN REPLACING CONTROL UNIT : Description

INFOID:000000005173698

After replacing the ABS actuator and electric unit (control unit), perform the neutral position adjustment for the steering angle sensor.

ADDITIONAL SERVICE WHEN REPLACING CONTROL UNIT : Special Repair Requirement

INFOID:000000005173699

1. PERFORM THE NEUTRAL POSITION ADJUSTMENT FOR THE STEERING ANGLE SENSOR

Perform the neutral position adjustment for the steering angle sensor.

>> Refer to [BRC-9, "ADJUSTMENT OF STEERING ANGLE SENSOR NEUTRAL POSITION : Special Repair Requirement"](#).

ADJUSTMENT OF STEERING ANGLE SENSOR NEUTRAL POSITION

ADJUSTMENT OF STEERING ANGLE SENSOR NEUTRAL POSITION : Description

INFOID:000000005173700

When doing work that applies to the list below, make sure to adjust neutral position of steering angle sensor before running vehicle.

x: Required –: Not required

Situation	Adjustment of steering angle sensor neutral position
Removing/Installing ABS actuator and electric unit (control unit)	—
Replacing ABS actuator and electric unit (control unit)	x
Removing/Installing steering angle sensor	x
Replacing steering angle sensor	x
Removing/Installing steering components	x
Replacing steering components	x
Removing/Installing suspension components	x
Replacing suspension components	x
Change tires to new ones	—
Tire rotation	—
Adjusting wheel alignment	x

ADJUSTMENT OF STEERING ANGLE SENSOR NEUTRAL POSITION : Special Repair Requirement

INFOID:000000005173701

ADJUSTMENT OF STEERING ANGLE SENSOR NEUTRAL POSITION

CAUTION:

To adjust neutral position of steering angle sensor, make sure to use CONSULT-III. (Adjustment cannot be done without CONSULT-III.)

1. ALIGN THE VEHICLE STATUS

Stop the vehicle with front wheels in straight-ahead position.

>> GO TO 2.

2. PERFORM THE NEUTRAL POSITION ADJUSTMENT FOR THE STEERING ANGLE SENSOR

1. Select "ABS", "WORK SUPPORT" and "ST ANGLE SENSOR ADJUSTMENT" in order with CONSULT-III.
2. Select "START".

INSPECTION AND ADJUSTMENT

[VDC/TCS/ABS]

< BASIC INSPECTION >

CAUTION:

Do not touch steering wheel while adjusting steering angle sensor.

3. After approximately 10 seconds, select "END".

NOTE:

After approximately 60 seconds, it ends automatically.

4. Turn ignition switch OFF, then turn it ON again.

CAUTION:

Be sure to perform above operation.

>> GO TO 3.

3. CHECK DATA MONITOR

1. Run the vehicle with front wheels in straight-ahead position, then stop.
2. Select "ABS", "DATA MONITOR" and "STR ANGLE SIG" in order with CONSULT-III, and check steering angle sensor signal.

STR ANGLE SIG : $0 \pm 2.5^\circ$

Is the steering angle within the specified range?

YES >> GO TO 4.

NO >> Perform the neutral position adjustment for the steering angle sensor again, GO TO 1.

4. ERASE THE SELF-DIAGNOSIS MEMORY

Erase the self-diagnosis memories for "ABS", "ENGINE" and "ICC" with CONSULT-III.

- "ABS": Refer to [BRC-31, "CONSULT-III Function"](#).
- "ENGINE": Refer to [EC-117, "CONSULT-III Function"](#).
- "ICC": Refer to [CCS-45, "CONSULT-III Function \(ICC\)"](#).

Are the memories erased?

YES >> INSPECTION END

NO >> Check the items indicated by the self-diagnosis.

SYSTEM DESCRIPTION

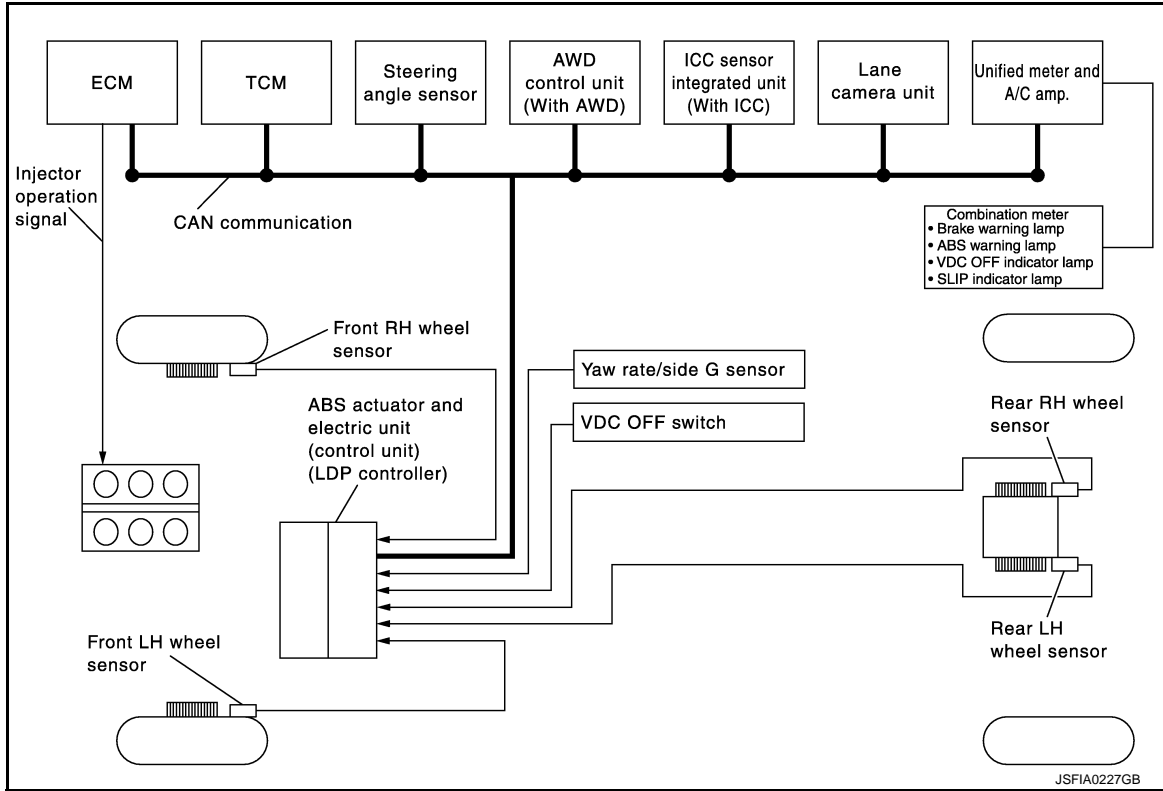
VDC

System Diagram

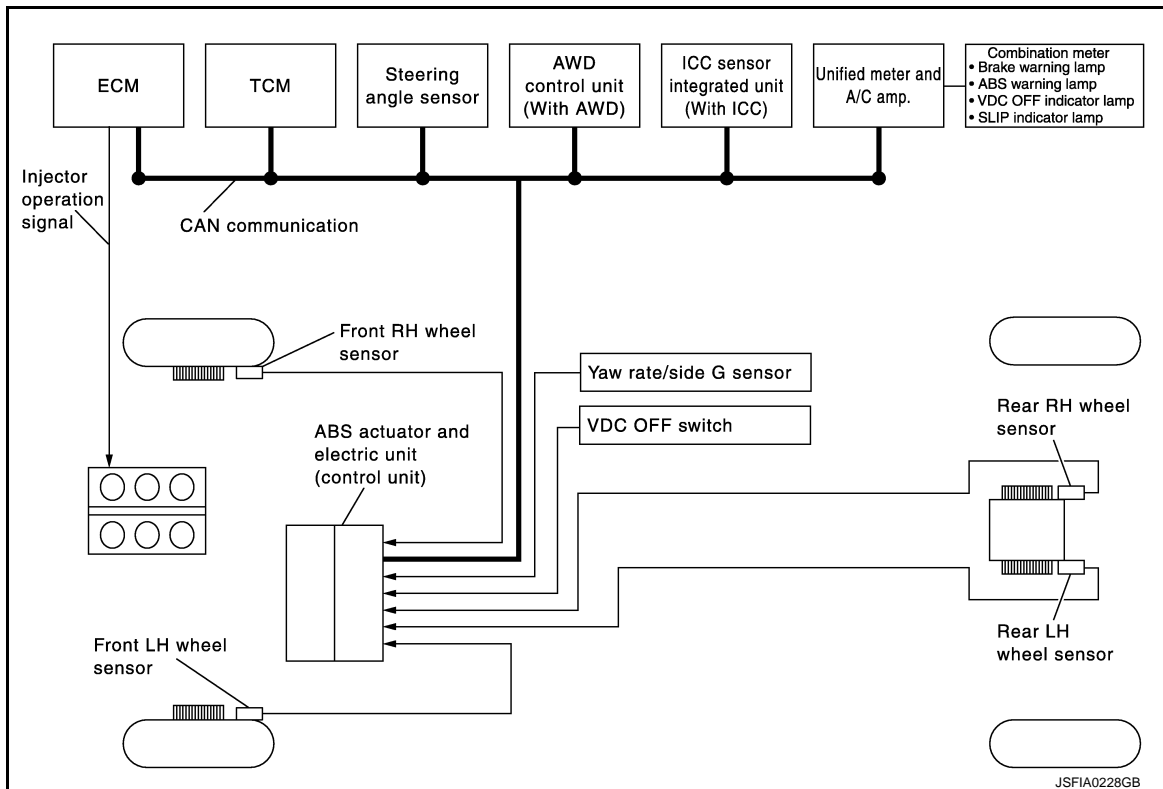
INFOID:000000005173702

A
B
C
D
E
BRC
G
H
I
J
K
L
M
N
O
P

With LDP



Without LDP

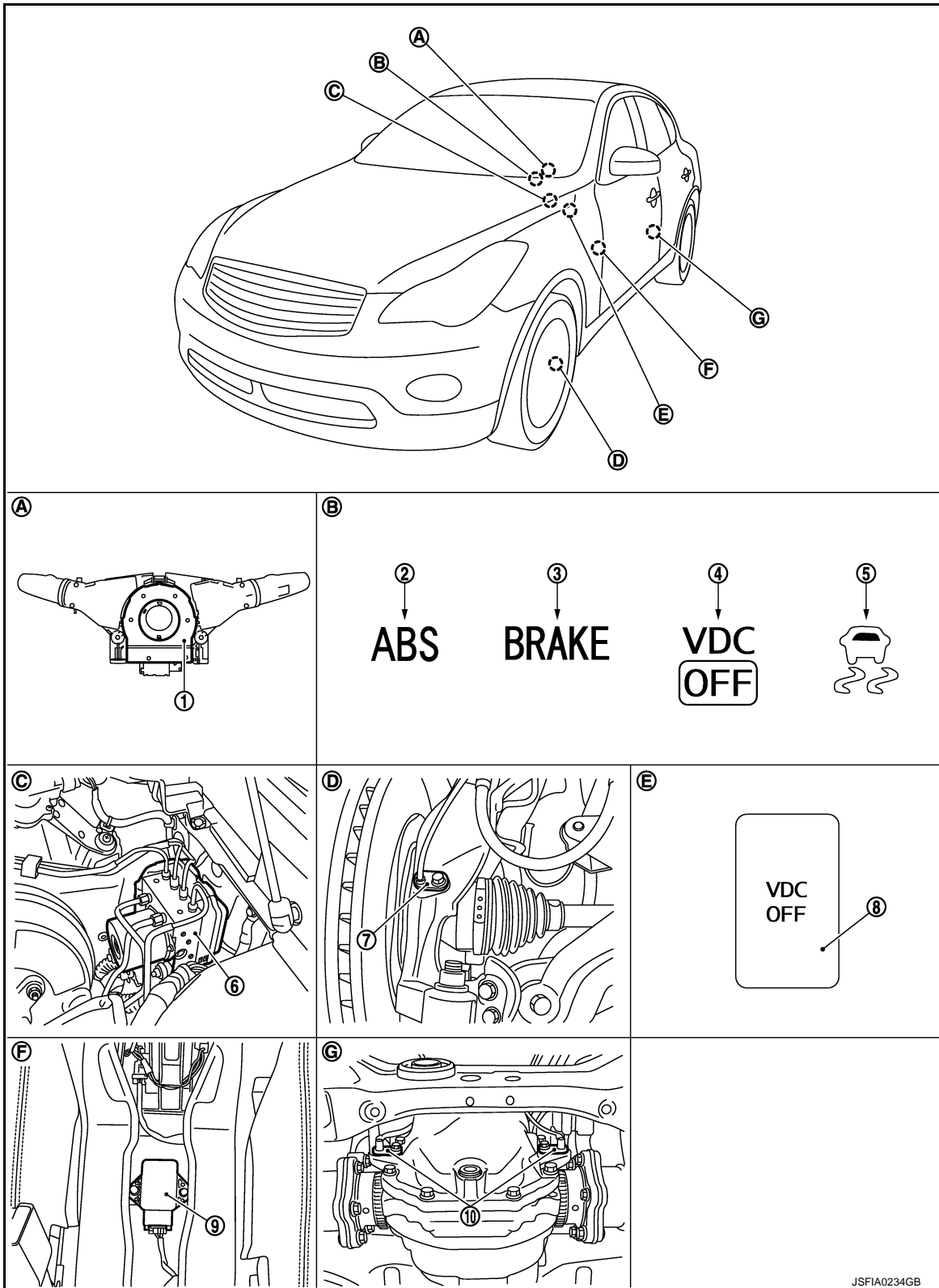


System Description

INFOID:000000005173703

- Vehicle Dynamics Control system detects driver's steering operation amount and brake pedal travel from steering angle sensor and pressure sensor. Using information from yaw rate/side G sensor and wheel sensor, VDC judges driving condition (conditions of under steer and over steer) to improve vehicle driving stability by controlling brake application to 4 wheels and engine output.
- During VDC operation, it informs driver of system operation by flashing SLIP indicator lamp.
- Electrical system diagnosis by CONSULT-III is available.

For USA



- | | | |
|---------------------------|------------------------|--|
| 1. Steering angle sensor | 2. ABS warning lamp | 3. Brake warning lamp |
| 4. VDC OFF indicator lamp | 5. SLIP indicator lamp | 6. ABS actuator and electric unit (control unit) |

JSFIA0234GB

A
B
C
D
E
F
G
H
I
J
K
L
M
N
O
P

BRC

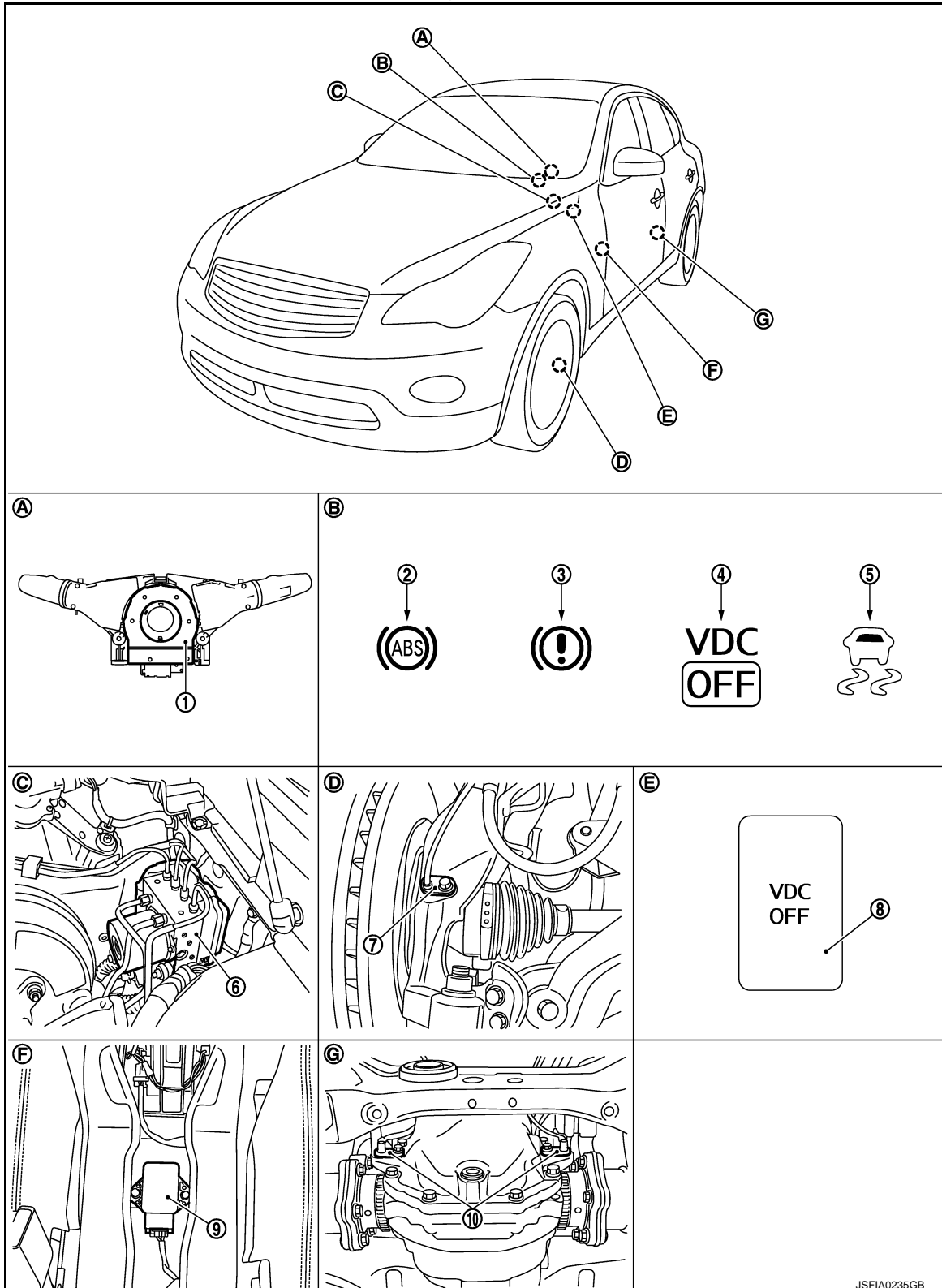
VDC

[VDC/TCS/ABS]

< SYSTEM DESCRIPTION >

- 7. Front wheel sensor
- 8. VDC OFF switch
- 9. Yaw rate/side G sensor
- 10. Rear wheel sensor
- A. Back of spiral cable assembly
- B. Combination meter
- C. Inside brake master cylinder cover
- D. Steering knuckle
- E. Instrument driver lower panel
- F. Under center console
- G. Rear final drive assembly

Except for USA



VDC

< SYSTEM DESCRIPTION >

[VDC/TCS/ABS]

- | | | | |
|----------------------------------|----------------------------------|--|---|
| 1. Steering angle sensor | 2. ABS warning lamp | 3. Brake warning lamp | A |
| 4. VDC OFF indicator lamp | 5. SLIP indicator lamp | 6. ABS actuator and electric unit (control unit) | B |
| 7. Front wheel sensor | 8. VDC OFF switch | 9. Yaw rate/side G sensor | C |
| 10. Rear wheel sensor | | | D |
| A. Back of spiral cable assembly | B. Combination meter | C. Inside brake master cylinder cover | E |
| D. Steering knuckle | E. Instrument driver lower panel | F. Under center console | F |
| G. Rear final drive assembly | | | |

Component Description

INFOID:000000005173705

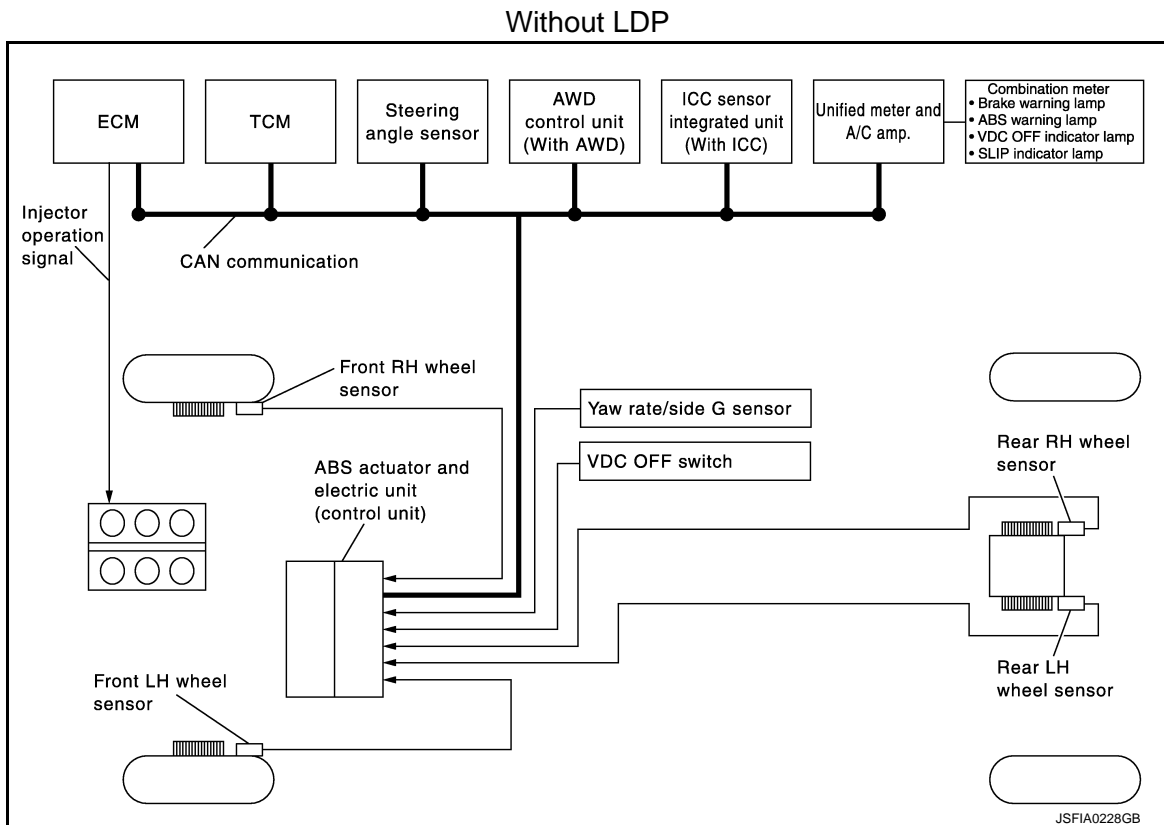
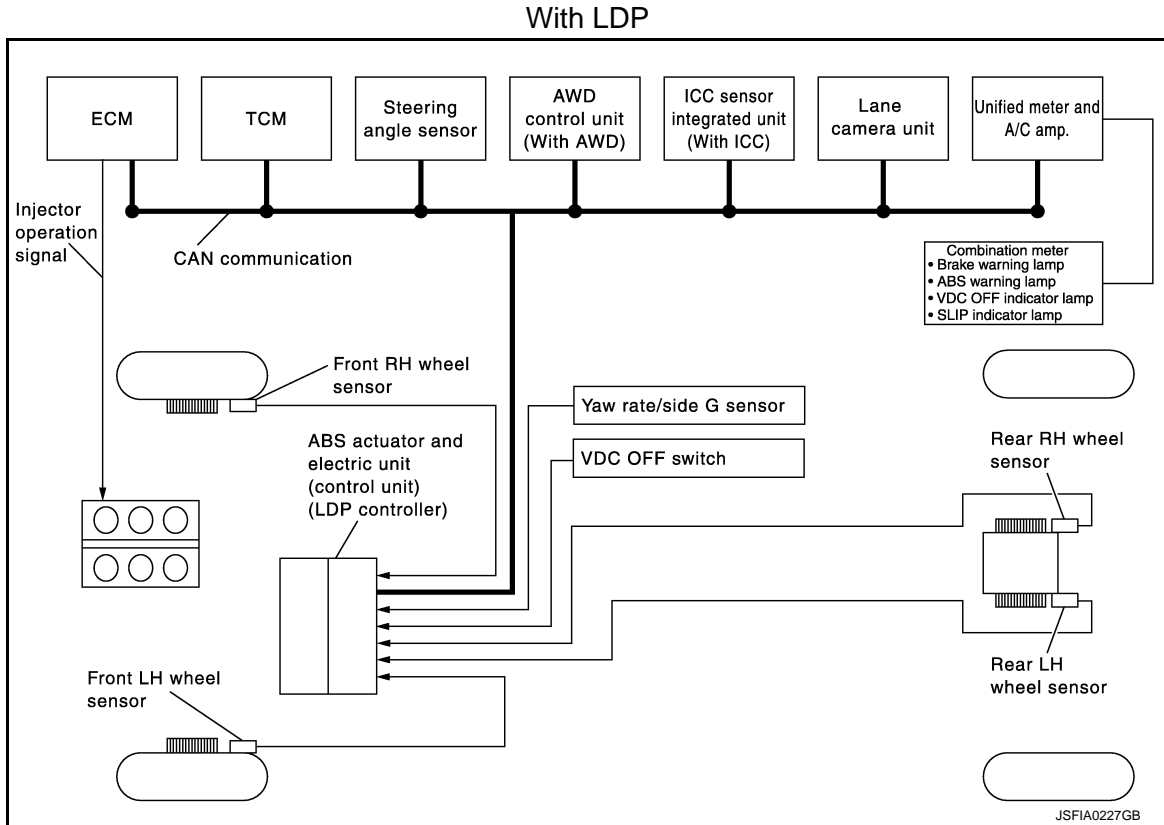
Component parts		Reference
ABS actuator and electric unit (control unit)	Pump	BRC-45, "Description"
	Motor	
	Actuator relay (main relay)	BRC-47, "Description"
	Solenoid valve	BRC-53, "Description"
	Pressure sensor	BRC-58, "Description"
	VDC switch-over valve (USV1, USV2, HSV1, HSV2)	BRC-66, "Description"
Wheel sensor	BRC-37, "Description"	
Yaw rate/side G sensor	BRC-63, "Description"	
Steering angle sensor	BRC-60, "Description"	
VDC OFF switch	BRC-78, "Description"	
ABS warning lamp	BRC-80, "Description"	
Brake warning lamp	BRC-81, "Description"	
VDC OFF indicator lamp	BRC-82, "Description"	
SLIP indicator lamp	BRC-83, "Description"	

BRC

TCS

System Diagram

INFOID:000000005173706



System Description

INFOID:000000005173707

- Traction Control System is a function that electronically controls engine torque, brake fluid pressure and A/T gear position to ensure the optimum slippage ratio at drive wheels by computing wheel speed signals from 4 wheel sensors. When ABS actuator and electric unit (control unit) detects a spin at drive wheels (rear wheels), it compares wheel speed signals from all 4 wheels. At this time, LH and RH rear brake fluid pressure are controlled, while fuel being cut to engine and throttle valve being closed to reduce engine torque by the control unit. Further more, throttle position is continuously controlled to ensure the optimum engine torque at all times.
- During TCS operation, TCS informs driver of system operation by flashing SLIP indicator lamp.
- Electrical system diagnosis by CONSULT-III is available.

A
B
C
D
E
G
H
I
J
K
L
M
N
O
P

BRC

TCS

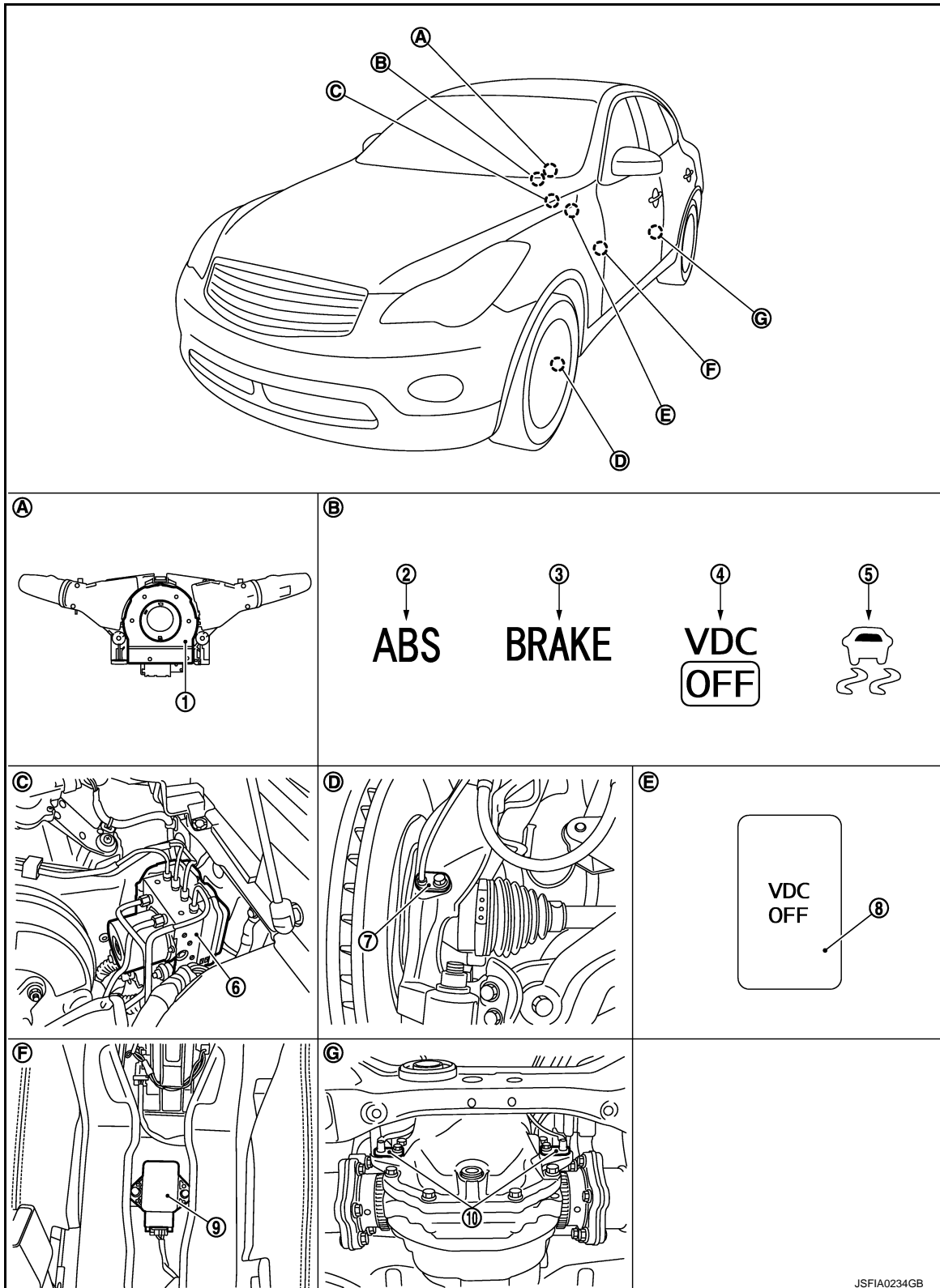
[VDC/TCS/ABS]

< SYSTEM DESCRIPTION >

Component Parts Location

INFOID:000000005173708

For USA



- | | | |
|---------------------------|------------------------|--|
| 1. Steering angle sensor | 2. ABS warning lamp | 3. Brake warning lamp |
| 4. VDC OFF indicator lamp | 5. SLIP indicator lamp | 6. ABS actuator and electric unit (control unit) |

JSFIA0234GB

TCS

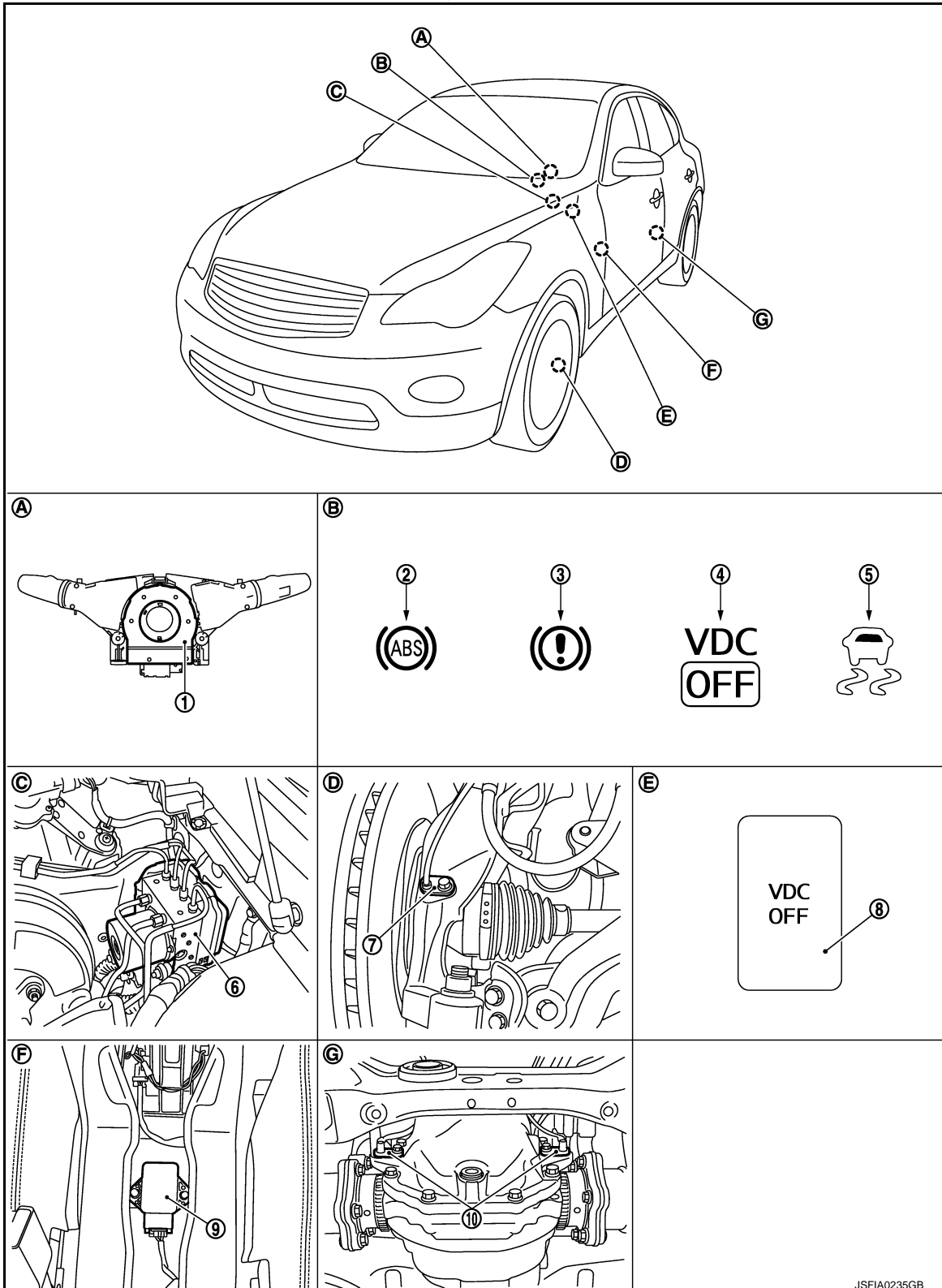
[VDC/TCS/ABS]

< SYSTEM DESCRIPTION >

- 7. Front wheel sensor
- 8. VDC OFF switch
- 9. Yaw rate/side G sensor
- 10. Rear wheel sensor

- A. Back of spiral cable assembly
- B. Combination meter
- C. Inside brake master cylinder cover
- D. Steering knuckle
- E. Instrument driver lower panel
- F. Under center console
- G. Rear final drive assembly

Except for USA



A
B
C
D
E
BRC
G
H
I
J
K
L
M
N
O
P

JSFIA0235GB

< SYSTEM DESCRIPTION >

- | | | |
|----------------------------------|----------------------------------|--|
| 1. Steering angle sensor | 2. ABS warning lamp | 3. Brake warning lamp |
| 4. VDC OFF indicator lamp | 5. SLIP indicator lamp | 6. ABS actuator and electric unit (control unit) |
| 7. Front wheel sensor | 8. VDC OFF switch | 9. Yaw rate/side G sensor |
| 10. Rear wheel sensor | | |
| A. Back of spiral cable assembly | B. Combination meter | C. Inside brake master cylinder cover |
| D. Steering knuckle | E. Instrument driver lower panel | F. Under center console |
| G. Rear final drive assembly | | |

Component Description

INFOID:000000005173709

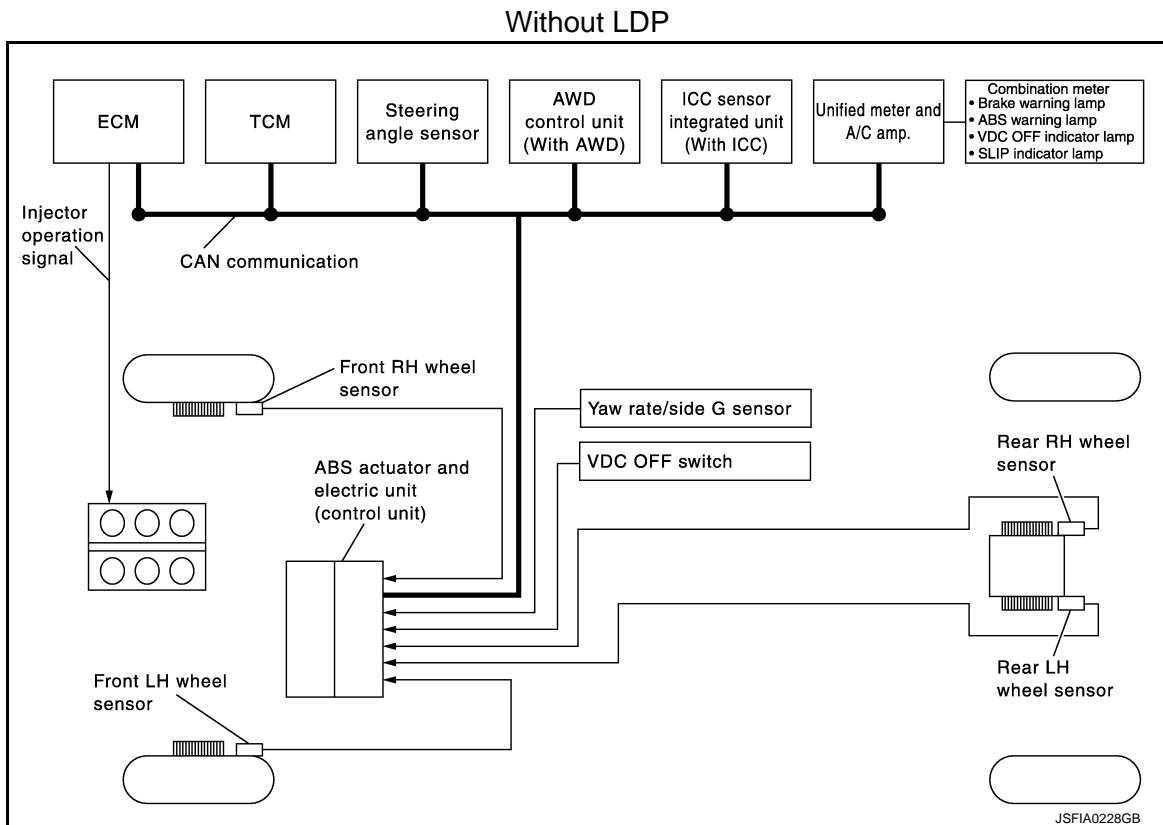
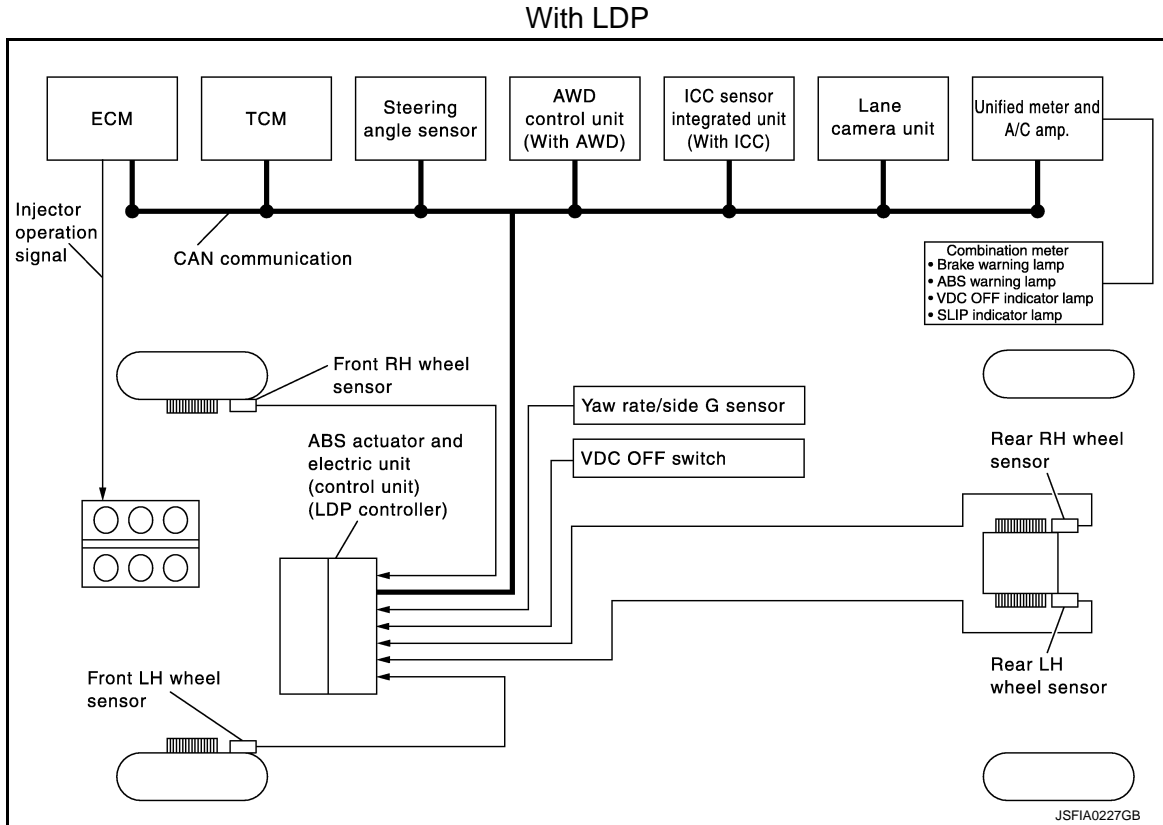
Component parts		Reference
ABS actuator and electric unit (control unit)	Pump	BRC-45. "Description"
	Motor	
	Actuator relay (main relay)	BRC-47. "Description"
	Solenoid valve	BRC-53. "Description"
	Pressure sensor	BRC-58. "Description"
	VDC switch-over valve (USV1, USV2, HSV1, HSV2)	BRC-66. "Description"
Wheel sensor	BRC-37. "Description"	
Yaw rate/side G sensor	BRC-63. "Description"	
Steering angle sensor	BRC-60. "Description"	
VDC OFF switch	BRC-78. "Description"	
ABS warning lamp	BRC-80. "Description"	
Brake warning lamp	BRC-81. "Description"	
VDC OFF indicator lamp	BRC-82. "Description"	
SLIP indicator lamp	BRC-83. "Description"	

ABS

System Diagram

INFOID:000000005173710

A
B
C
D
E
BRC
G
H
I
J
K
L
M
N
O
P



System Description

INFOID:000000005173711

- Anti-Lock Braking System detects wheel revolution while braking, electronically controls braking force, and prevents wheel locking during sudden braking. It improves handling stability and maneuverability for avoiding obstacles.
- Electrical system diagnosis by CONSULT-III is available.

ABS

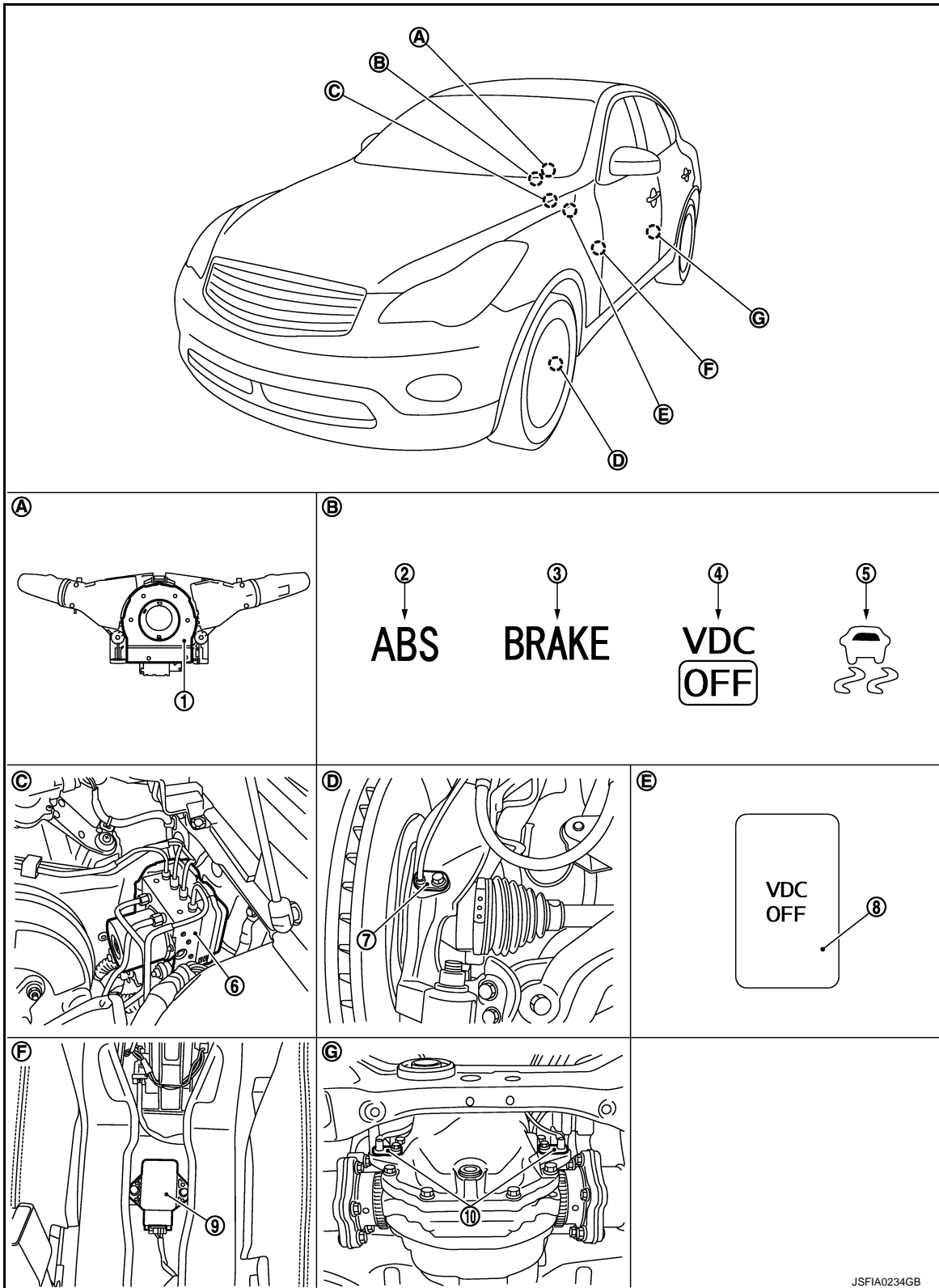
[VDC/TCS/ABS]

< SYSTEM DESCRIPTION >

Component Parts Location

INFOID:000000005173712

For USA



- | | | |
|---------------------------|------------------------|--|
| 1. Steering angle sensor | 2. ABS warning lamp | 3. Brake warning lamp |
| 4. VDC OFF indicator lamp | 5. SLIP indicator lamp | 6. ABS actuator and electric unit (control unit) |

JSFIA0234GB

A
B
C
D
E
F
G
H
I
J
K
L
M
N
O
P

BRC

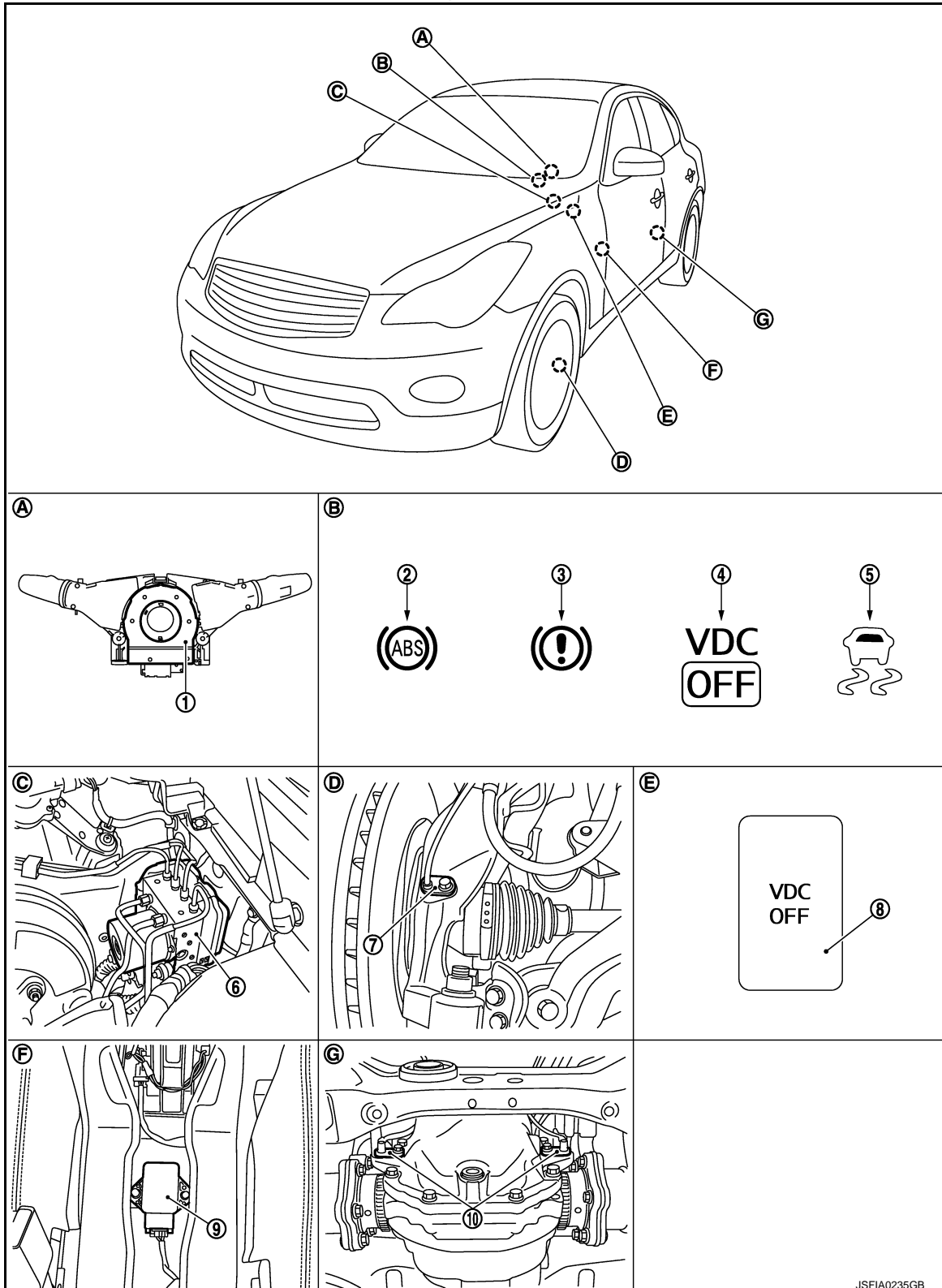
ABS

[VDC/TCS/ABS]

< SYSTEM DESCRIPTION >

- 7. Front wheel sensor
- 8. VDC OFF switch
- 9. Yaw rate/side G sensor
- 10. Rear wheel sensor
- A. Back of spiral cable assembly
- B. Combination meter
- C. Inside brake master cylinder cover
- D. Steering knuckle
- E. Instrument driver lower panel
- F. Under center console
- G. Rear final drive assembly

Except for USA



ABS

< SYSTEM DESCRIPTION >

[VDC/TCS/ABS]

- | | | | |
|----------------------------------|----------------------------------|--|---|
| 1. Steering angle sensor | 2. ABS warning lamp | 3. Brake warning lamp | A |
| 4. VDC OFF indicator lamp | 5. SLIP indicator lamp | 6. ABS actuator and electric unit (control unit) | |
| 7. Front wheel sensor | 8. VDC OFF switch | 9. Yaw rate/side G sensor | B |
| 10. Rear wheel sensor | | | |
| A. Back of spiral cable assembly | B. Combination meter | C. Inside brake master cylinder cover | C |
| D. Steering knuckle | E. Instrument driver lower panel | F. Under center console | |
| G. Rear final drive assembly | | | |

Component Description

INFOID:000000005173713

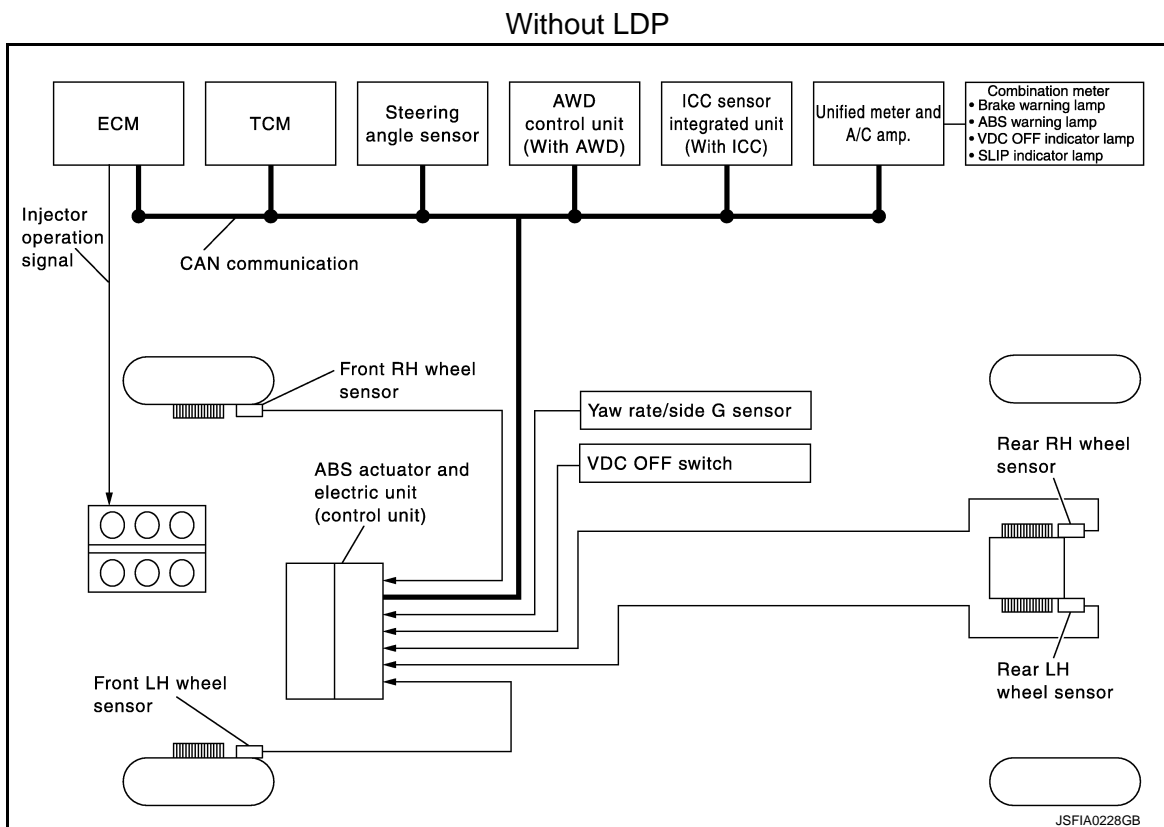
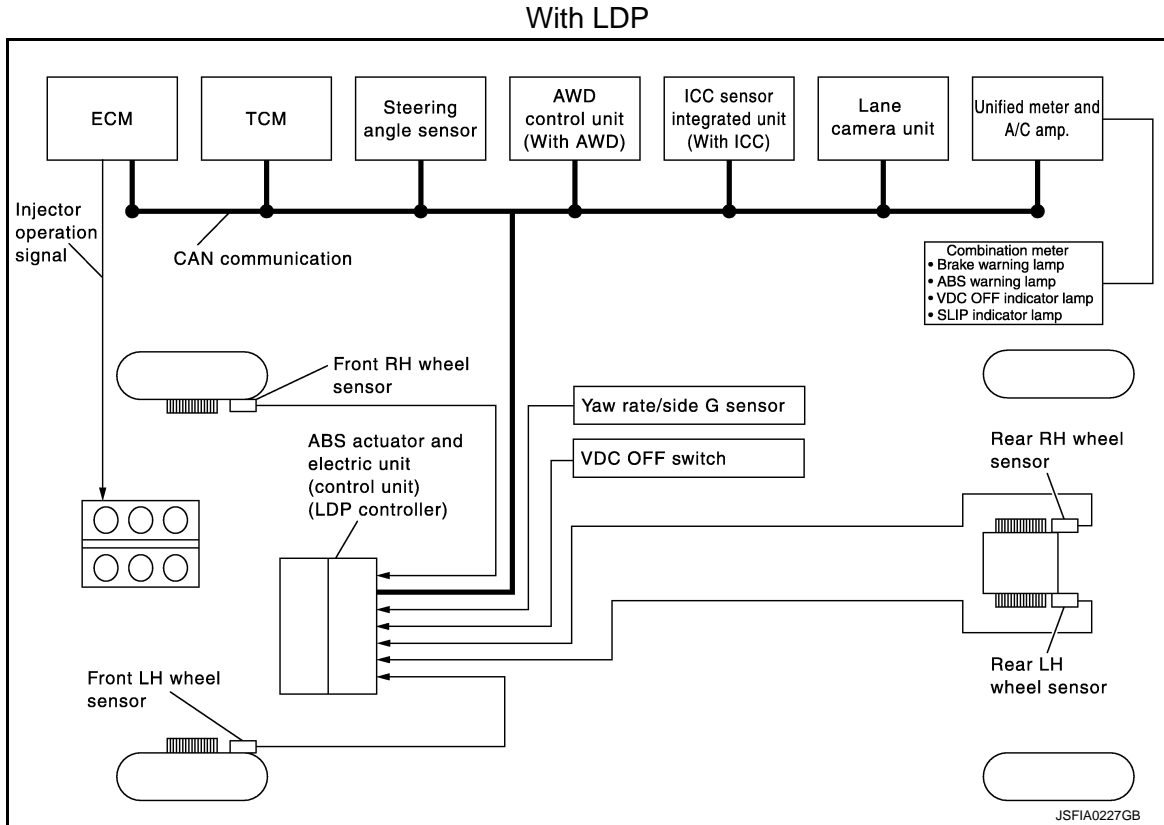
Component parts	Reference	
ABS actuator and electric unit (control unit)	Pump	BRC-45, "Description"
	Motor	
	Actuator relay (main relay)	BRC-47, "Description"
	Solenoid valve	BRC-53, "Description"
	Pressure sensor	BRC-58, "Description"
	VDC switch-over valve (USV1, USV2, HSV1, HSV2)	BRC-66, "Description"
Wheel sensor	BRC-37, "Description"	
Yaw rate/side G sensor	BRC-63, "Description"	
Steering angle sensor	BRC-60, "Description"	
VDC OFF switch	BRC-78, "Description"	
ABS warning lamp	BRC-80, "Description"	
Brake warning lamp	BRC-81, "Description"	
VDC OFF indicator lamp	BRC-82, "Description"	
SLIP indicator lamp	BRC-83, "Description"	

A
B
C
D
E
BRC
G
H
I
J
K
L
M
N
O
P

EBD

System Diagram

INFOID:000000005173714



System Description

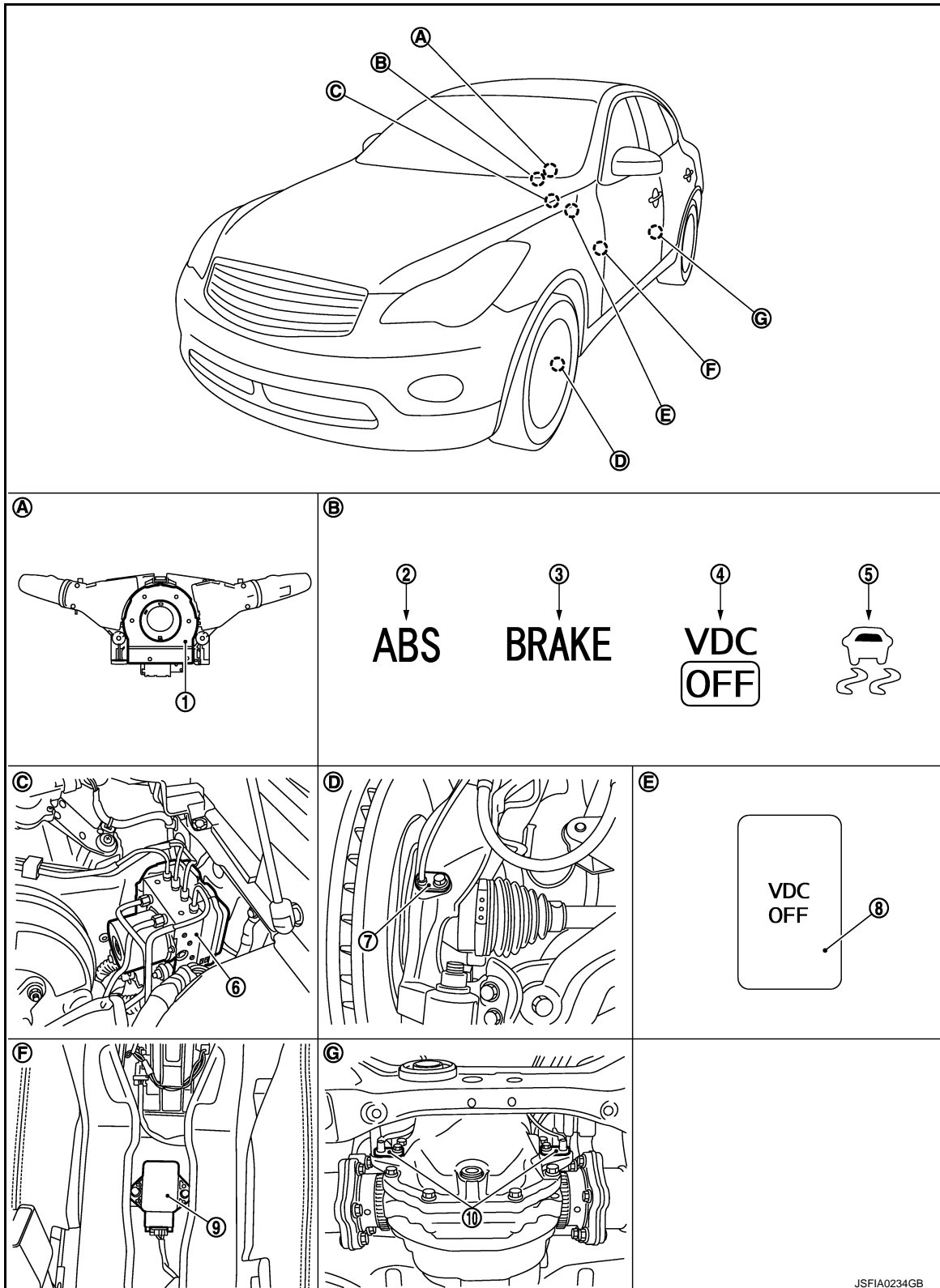
INFOID:000000005173715

- Electric Brake force Distribution is a following function. ABS actuator and electric unit (control unit) detects subtle slippages between the front and rear wheels during braking. Then is electronically controls the rear braking force (brake fluid pressure) to reducing and reduces rear wheel slippage. Accordingly it improves vehicle stability.
- Electrical system diagnosis by CONSULT-III is available.

A
B
C
D
E
G
H
I
J
K
L
M
N
O
P

BRC

For USA



- | | | |
|---------------------------|------------------------|--|
| 1. Steering angle sensor | 2. ABS warning lamp | 3. Brake warning lamp |
| 4. VDC OFF indicator lamp | 5. SLIP indicator lamp | 6. ABS actuator and electric unit (control unit) |

JSFIA0234GB

EBD

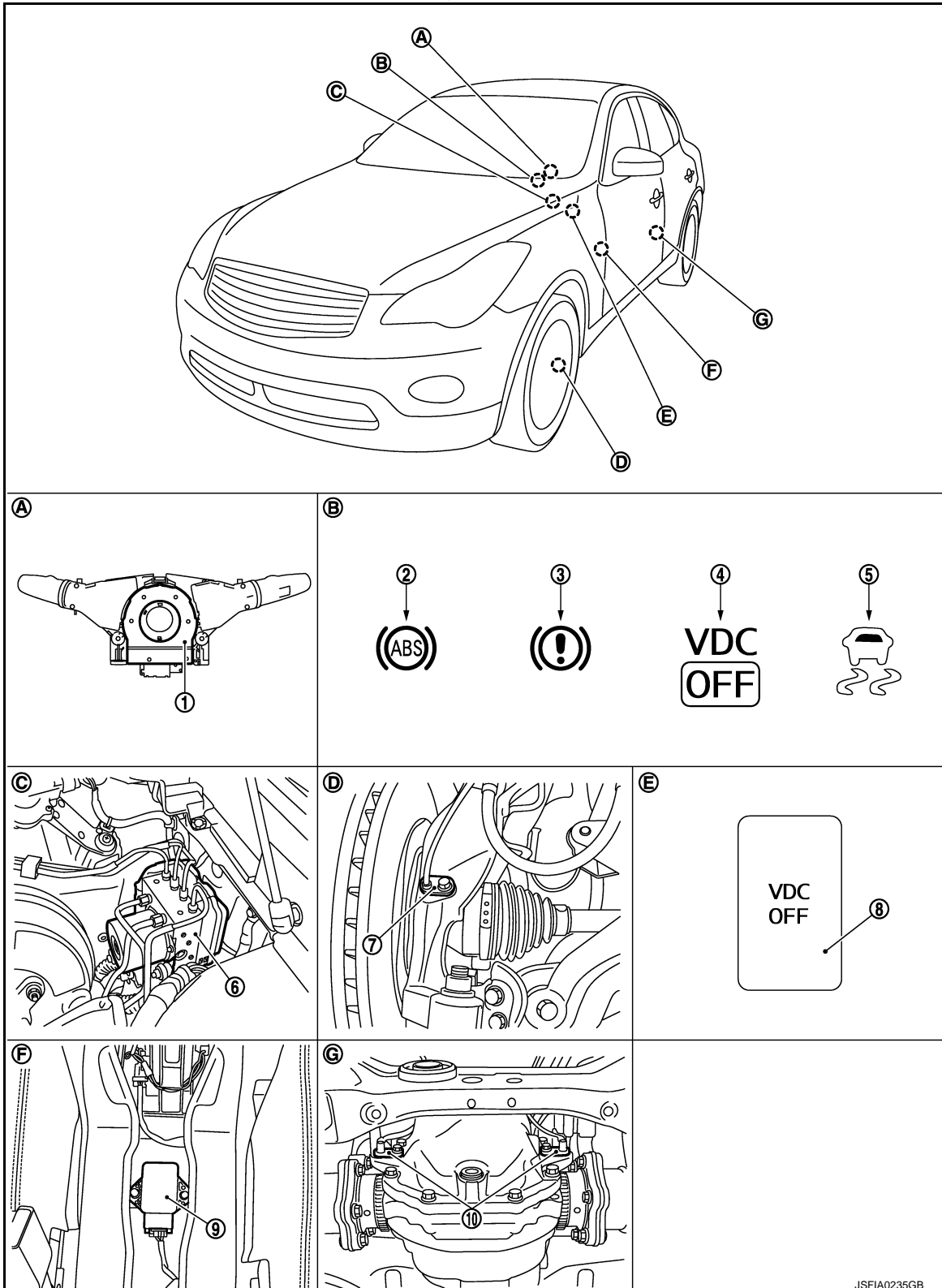
[VDC/TCS/ABS]

< SYSTEM DESCRIPTION >

- 7. Front wheel sensor
- 8. VDC OFF switch
- 9. Yaw rate/side G sensor
- 10. Rear wheel sensor

- A. Back of spiral cable assembly
- B. Combination meter
- C. Inside brake master cylinder cover
- D. Steering knuckle
- E. Instrument driver lower panel
- F. Under center console
- G. Rear final drive assembly

Except for USA



A
B
C
D
E
BRC
G
H
I
J
K
L
M
N
O
P

JSFIA0235GB

< SYSTEM DESCRIPTION >

- | | | |
|----------------------------------|----------------------------------|--|
| 1. Steering angle sensor | 2. ABS warning lamp | 3. Brake warning lamp |
| 4. VDC OFF indicator lamp | 5. SLIP indicator lamp | 6. ABS actuator and electric unit (control unit) |
| 7. Front wheel sensor | 8. VDC OFF switch | 9. Yaw rate/side G sensor |
| 10. Rear wheel sensor | | |
| A. Back of spiral cable assembly | B. Combination meter | C. Inside brake master cylinder cover |
| D. Steering knuckle | E. Instrument driver lower panel | F. Under center console |
| G. Rear final drive assembly | | |

Component Description

INFOID:000000005173717

Component parts		Reference
ABS actuator and electric unit (control unit)	Pump	BRC-45. "Description"
	Motor	
	Actuator relay (main relay)	BRC-47. "Description"
	Solenoid valve	BRC-53. "Description"
	Pressure sensor	BRC-58. "Description"
	VDC switch-over valve (USV1, USV2, HSV1, HSV2)	BRC-66. "Description"
Wheel sensor	BRC-37. "Description"	
Yaw rate/side G sensor	BRC-63. "Description"	
Steering angle sensor	BRC-60. "Description"	
VDC OFF switch	BRC-78. "Description"	
ABS warning lamp	BRC-80. "Description"	
Brake warning lamp	BRC-81. "Description"	
VDC OFF indicator lamp	BRC-82. "Description"	
SLIP indicator lamp	BRC-83. "Description"	

DIAGNOSIS SYSTEM [ABS ACTUATOR AND ELECTRIC UNIT (CONTROL UNIT)]

< SYSTEM DESCRIPTION >

[VDC/TCS/ABS]

DIAGNOSIS SYSTEM [ABS ACTUATOR AND ELECTRIC UNIT (CONTROL UNIT)]

CONSULT-III Function

INFOID:000000005173718

FUNCTION

CONSULT-III can display each diagnostic item using the diagnostic test modes shown following.

Diagnostic test mode	Function
Work support	This mode enables a technician to adjust some devices faster and more accurately by following the indications on CONSULT-III.
Self diagnostic result	Self-diagnostic results can be read and erased quickly.
Data monitor	Input/Output data in the ABS actuator and electric unit (control unit) can be read.
Active test	CONSULT-III drives some actuators apart from ABS actuator and electric unit (control unit) and also shifts some parameters in a specified range.
ECU identification	ABS actuator and electric unit (control unit) part number can be read.
Special Function	Specific LDP data in the ABS actuator and electric unit (control unit) can be read.

WORK SUPPORT

CAUTION:

Erase DTC memory of the lane camera unit after implementing work support. Refer to [CCS-442, "CONSULT-III Function \(LANE CAMERA\)"](#).

Item	Description
ST ANGLE SENSOR ADJUSTMENT	Adjusts the neutral position of the steering angle sensor.

SELF DIAGNOSTIC RESULT

Operation Procedure

Before performing the self-diagnosis for "ABS" with CONSULT-III, start engine and drive vehicle at 30 km/h (19 MPH) or more for approximately 1 minute.

Display Item List

Refer to [BRC-94, "DTC No. Index"](#).

How to Erase Self-diagnosis Results

After erasing DTC memory for "ABS" with CONSULT-III, start the engine and drive the vehicle at 30 km/h (19 MPH) or more for approximately 1 minute as the final inspection, and make sure that the ABS warning lamp, VDC OFF indicator lamp, SLIP indicator lamp and brake warning lamp turn OFF.

CAUTION:

If memory cannot be erased, perform applicable diagnosis.

NOTE:

- When the wheel sensor malfunctions, after inspecting the wheel sensor system, ABS warning lamp, VDC OFF indicator lamp, SLIP indicator lamp and brake warning lamp will not turn OFF even when the system is normal unless the vehicle is driven at approximately 30 km/h (19 MPH) or more for approximately 1 minute.
- Brake warning lamp will turn ON in case of parking brake operation (when switch is ON) or in case of brake fluid level switch operation (when brake fluid is insufficient).
- VDC OFF switch should not stay in "ON" position.

DATA MONITOR

Display Item List

DIAGNOSIS SYSTEM [ABS ACTUATOR AND ELECTRIC UNIT (CONTROL UNIT)]

< SYSTEM DESCRIPTION >

[VDC/TCS/ABS]

×: Applicable ▼: Optional item

Monitor item (Unit)	SELECT MONITOR ITEM		Remarks
	ECU INPUT SIGNALS	MAIN SIGNALS	
FR LH SENSOR [km/h (MPH)]	×	×	Wheel speed
FR RH SENSOR [km/h (MPH)]	×	×	
RR LH SENSOR [km/h (MPH)]	×	×	
RR RH SENSOR [km/h (MPH)]	×	×	
STOP LAMP SW (On/Off)	×	×	Stop lamp switch signal status
BATTERY VOLT (V)	×	×	Battery voltage supplied to the ABS actuator and electric unit (control unit)
GEAR	×	×	Gear position determined by TCM
SLCT LVR POSI	×	×	A/T selector lever position
YAW RATE SEN (d/s)	×	×	Yaw rate detected by yaw rate/side G sensor
ACCEL POS SIG (%)	×	▼	Throttle actuator opening/closing is displayed (Linked with accelerator pedal)
SIDE G-SENSOR (m/s ²)	×	▼	Transverse G detected by yaw rate/side G sensor
STR ANGLE SIG (°)	×	▼	Steering angle detected by steering angle sensor
PRESS SENSOR (bar)	×	▼	Brake fluid pressure detected by pressure sensor
ENGINE RPM [tr/min (rpm)]	×	▼	Engine speed
FLUID LEV SW (On/Off)	×	▼	Brake fluid level switch signal status
PARK BRAKE SW (On/Off)	×	▼	Parking brake switch signal status
LDP) APP SEN (%) (Note 2)	×	×	Accelerator pedal position sensor status received from ECM via CAN communication
FR RH IN SOL (On/Off) (Note 1)	▼	×	Operation status of each solenoid valve
FR RH OUT SOL (On/Off) (Note 1)	▼	×	
FR LH IN SOL (On/Off) (Note 1)	▼	×	
FR LH OUT SOL (On/Off) (Note 1)	▼	×	
RR RH IN SOL (On/Off) (Note 1)	▼	×	
RR RH OUT SOL (On/Off) (Note 1)	▼	×	
RR LH IN SOL (On/Off) (Note 1)	▼	×	
RR LH OUT SOL (On/Off) (Note 1)	▼	×	
MOTOR RELAY (On/Off)	▼	×	Motor and motor relay operation

DIAGNOSIS SYSTEM [ABS ACTUATOR AND ELECTRIC UNIT (CONTROL UNIT)]

< SYSTEM DESCRIPTION >

[VDC/TCS/ABS]

Monitor item (Unit)	SELECT MONITOR ITEM		Remarks	
	ECU INPUT SIGNALS	MAIN SIGNALS		
ACTUATOR RLY (On/Off) (Note 1)	▼	×	Actuator relay operation	A
ABS WARN LAMP (On/Off)	▼	×	ABS warning lamp	B
OFF LAMP (On/Off)	▼	×	VDC OFF indicator lamp	C
SLIP LAMP (On/Off)	▼	×	SLIP indicator lamp	D
EBD SIGNAL (On/Off)	▼	▼	EBD operation	E
ABS SIGNAL (On/Off)	▼	▼	ABS operation	E
TCS SIGNAL (On/Off)	▼	▼	TCS operation	BRC
VDC SIGNAL (On/Off)	▼	▼	VDC operation	BRC
EBD FAIL SIG (On/Off)	▼	▼	EBD fail-safe signal	G
ABS FAIL SIG (On/Off)	▼	▼	ABS fail-safe signal	H
TCS FAIL SIG (On/Off)	▼	▼	TCS fail-safe signal	H
VDC FAIL SIG (On/Off)	▼	▼	VDC fail-safe signal	I
CRANKING SIG (On/Off)	▼	▼	Crank operation	J
USV[FR-RL] (On/Off) (Note 1)	▼	▼	VDC switch-over valve	J
USV[FL-RR] (On/Off) (Note 1)	▼	▼		K
HSV[FR-RL] (On/Off) (Note 1)	▼	▼		L
HSV[FL-RR] (On/Off) (Note 1)	▼	▼		L
V/R OUTPUT (On/Off)	▼	▼	Solenoid valve relay activated	M
M/R OUTPUT (On/Off)	▼	▼	Actuator motor and motor relay activated	N
LDP) APP SEN (%) (Note 2)	×	×	Accelerator pedal position sensor status received from ECM via CAN communication	N
LDP) ICC MAIN SW (On/Off) (Note 2)	×	×	ICC main switch status received from ECM via CAN communication	O
LDP) LDP ON SW (On/Off) (Note 2)	×	×	LDP switch status received from ECM via CAN communication	O
LDP) WIPER SIGNAL (Stop/PRTCT/1low/1high/Low/High) (Note 2)	×	×	Front wiper operating condition received from BCM via CAN communication	P
LDP) BRAKE SW (On/Off) (Note 2)	×	×	Brake switch signal status	P
LDP) STOP LMP SW (On/Off) (Note 2)	×	×	Stop lamp switch signal status	P

DIAGNOSIS SYSTEM [ABS ACTUATOR AND ELECTRIC UNIT (CONTROL UNIT)]

< SYSTEM DESCRIPTION >

[VDC/TCS/ABS]

Monitor item (Unit)	SELECT MONITOR ITEM		Remarks
	ECU INPUT SIGNALS	MAIN SIGNALS	
LDP) LDW SW (On/Off) (Note 2)	×	×	LDW switch status received from lane camera unit via CAN communication
LDP) SHIFT POSITION (OFF/P/R/N/D/MM 1st – MM 5th) (Note 2)	×	×	Shift position received from TCM via CAN communication
LDP) TURN SIGNAL (Off/LH/RH/LH&RH) (Note 2)	×	×	Turn signal operating condition received from BCM via CAN communication

NOTE:

1: A brief moment of On/Off condition occurs every 20 seconds after ignition switch turned ON. This is not malfunction because it is an operation for checking.

2: With LDP models.

ACTIVE TEST

CAUTION:

- Do not perform active test while driving vehicle.
- Make sure to completely bleed air from brake system.
- The active test cannot be started when ABS warning lamp, VDC OFF indicator lamp, SLIP indicator lamp and brake warning lamp are ON.
- ABS warning lamp, VDC OFF indicator lamp, SLIP indicator lamp and brake warning lamp are ON during active test.
- Erase memory of ICC system after implementing active test. Refer to [CCS-45, "CONSULT-III Function \(ICC\)"](#).
- Erase memory of the lane camera unit after implementing active test. Refer to [CCS-442, "CONSULT-III Function \(LANE CAMERA\)"](#).

NOTE:

- When active test is performed while depressing the pedal, the pedal depression amount will change. This is normal. (Only solenoid valve and ABS motor.)
- "TEST IS STOPPED" in "ABS" with CONSULT-III is displayed 10 seconds after operation start.
- After "TEST IS STOPPED" in "ABS" with CONSULT-III is displayed, to perform test again.

Test Item

ABS SOLENOID VALVE

- Select "Up", "Keep" and "Down" of "ACTIVE TEST" in "ABS" with CONSULT-III. Then use screen monitor to check that solenoid valve operates as shown in the table below.

Test item	Display item	Display (Note)		
		Up	Keep	Down
FR RH SOL	FR RH IN SOL	Off	On	On
	FR RH OUT SOL	Off	Off	On*
	USV[FR-RL]	Off	Off	Off
	HSV[FR-RL]	Off	Off	Off
FR LH SOL	FR LH IN SOL	Off	On	On
	FR LH OUT SOL	Off	Off	On*
	USV[FL-RR]	Off	Off	Off
	HSV[FL-RR]	Off	Off	Off
RR RH SOL	RR RH IN SOL	Off	On	On
	RR RH OUT SOL	Off	Off	On*
	USV[FL-RR]	Off	Off	Off
	HSV[FL-RR]	Off	Off	Off

DIAGNOSIS SYSTEM [ABS ACTUATOR AND ELECTRIC UNIT (CONTROL UNIT)]

< SYSTEM DESCRIPTION >

[VDC/TCS/ABS]

Test item	Display item	Display (Note)		
		Up	Keep	Down
RR LH SOL	RR LH IN SOL	Off	On	On
	RR LH OUT SOL	Off	Off	On*
	USV[FR-RL]	Off	Off	Off
	HSV[FR-RL]	Off	Off	Off

A
B
C
D
E

*: On for 1 to 2 seconds after the select, and then Off.

NOTE:

A brief moment of On/Off condition occurs every 20 seconds after ignition switch turned ON. This is not malfunction because it is an operation for checking.

ABS SOLENOID VALVE (ACT)

- Select "Up", "ACT UP" and "ACT KEEP" of "ACTIVE TEST" in "ABS" with CONSULT-III. Then use screen monitor to check that solenoid valve operates as shown in the table below.

Test item	Display item	Display (Note)		
		Up	ACT UP	ACT KEEP
FR RH ABS SOLENOID (ACT)	FR RH IN SOL	Off	Off	Off
	FR RH OUT SOL	Off	Off	Off
	USV[FR-RL]	Off	On	On
	HSV[FR-RL]	Off	On*	Off
FR LH ABS SOLENOID (ACT)	FR LH IN SOL	Off	Off	Off
	FR LH OUT SOL	Off	Off	Off
	USV[FL-RR]	Off	On	On
	HSV[FL-RR]	Off	On*	Off
RR RH ABS SOLENOID (ACT)	RR RH IN SOL	Off	Off	Off
	RR RH OUT SOL	Off	Off	Off
	USV[FL-RR]	Off	On	On
	HSV[FL-RR]	Off	On*	Off
RR LH ABS SOLENOID (ACT)	RR LH IN SOL	Off	Off	Off
	RR LH OUT SOL	Off	Off	Off
	USV[FR-RL]	Off	On	On
	HSV[FR-RL]	Off	On*	Off

BRC

G
H
I
J
K
L

*: On for 1 to 2 seconds after the select, and then Off.

NOTE:

A brief moment of On/Off condition occurs every 20 seconds after ignition switch turned ON. This is not malfunction because it is an operation for checking.

ABS MOTOR

- Select "On" and "Off" of "ACTIVE TEST" in "ABS" with CONSULT-III on screen. Make sure motor relay and actuator relay operates as shown in table below.

Test item	Display item	Display	
		On	Off
ABS MOTOR	MOTOR RELAY	On	Off
	ACTUATOR RLY (Note)	On	On

M
N
O
P

NOTE:

A brief moment of On/Off condition occurs every 20 seconds after ignition switch turned ON. This is not malfunction because it is an operation for checking.

ECU IDENTIFICATION

DIAGNOSIS SYSTEM [ABS ACTUATOR AND ELECTRIC UNIT (CONTROL UNIT)]

< SYSTEM DESCRIPTION >

[VDC/TCS/ABS]

ABS actuator and electric unit (control unit) part number can be read.

SPECIAL FUNCTION

Specific Data Monitor

Specific data monitor displays specific LDP operating conditions.

Monitor item (Unit)	Remarks
YAW RATE SEN (d/s)	Yaw rate detected by yaw rate/side G sensor
LDP) YAW ORDER (×100Nm)	Calculated target yaw moment
LDP) WARN REQ (On/Off)	Status of warning request that transmits to lane camera unit via CAN communication
LDP) WARN CONTROL (On/Off)	Status of warning main controller for LDP
LDP) REDY SIGNAL (On/Off)	Status of internal judgment by LDP controller [ABS actuator and electric unit (control unit)]
LDP) STATUS SIGNAL (STANDBY/WARN/MASK/Off)	Status of internal judgment by LDP controller [ABS actuator and electric unit (control unit)]
LDP) CAMERA LOST (Detect/Deviate/Both)	Lane marker detected condition received from lane camera unit via CAN communication
LDP) LANE UNCLEAR (On/Off)	Lane marker condition received from lane camera unit via CAN communication

C1101, C1102, C1103, C1104 WHEEL SENSOR

< DTC/CIRCUIT DIAGNOSIS >

[VDC/TCS/ABS]

DTC/CIRCUIT DIAGNOSIS

C1101, C1102, C1103, C1104 WHEEL SENSOR

Description

INFOID:000000005173719

When the sensor rotor rotates, the magnetic field changes. It converts the magnetic field changes to current signals (rectangular wave) and transmits them to the ABS actuator and electric unit (control unit).

DTC Logic

INFOID:000000005173720

DTC DETECTION LOGIC

DTC	Display item	Malfunction detected condition	Possible cause
C1101	RR RH SENSOR-1	Circuit of rear RH wheel sensor is open. Or when the sensor power voltage is outside the standard.	<ul style="list-style-type: none">• Harness or connector• Wheel sensor• ABS actuator and electric unit (control unit)
C1102	RR LH SENSOR-1	Circuit of rear LH wheel sensor is open. Or when the sensor power voltage is outside the standard.	
C1103	FR RH SENSOR-1	Circuit of front RH wheel sensor is open. Or when the sensor power voltage is outside the standard.	
C1104	FR LH SENSOR-1	Circuit of front LH wheel sensor is open. Or when the sensor power voltage is outside the standard.	

DTC CONFIRMATION PROCEDURE

1. DTC REPRODUCTION PROCEDURE

1. Start the engine and drive the vehicle at 30 km/h (19 MPH) or more for approximately 1 minute.
2. Perform self-diagnosis for "ABS" with CONSULT-III.

Is DTC "C1101", "C1102", "C1103" or "C1104" detected?

- YES >> Proceed to diagnosis. Refer to [BRC-37, "Diagnosis Procedure"](#).
NO >> INSPECTION END

Diagnosis Procedure

INFOID:000000005173721

CAUTION:

Do not check between wheel sensor terminals.

1. CHECK TIRES

Check air pressure, wear and size. Refer to [WT-60, "Tire Air Pressure"](#).

Is the inspection result normal?

- YES >> GO TO 2.
NO >> Repair or replace error-detected parts.

2. CHECK SENSOR AND SENSOR ROTOR

- Check sensor rotor for damage.
- Check wheel sensor for damage, disconnection or looseness.

Is the inspection result normal?

- YES >> GO TO 3.
NO >> Repair wheel sensor mount or replace sensor rotor. Then perform self-diagnosis for "ABS" with CONSULT-III.

3. CHECK CONNECTOR

1. Turn the ignition switch OFF.
2. Disconnect ABS actuator and electric unit (control unit) connector.
3. Disconnect malfunctioning wheel sensor connector.
4. Check terminal to see if it is deformed, disconnected, looseness, etc.

Is the inspection result normal?

- YES >> GO TO 4.

C1101, C1102, C1103, C1104 WHEEL SENSOR

[VDC/TCS/ABS]

< DTC/CIRCUIT DIAGNOSIS >

NO >> Repair or replace error-detected parts.

4. CHECK WHEEL SENSOR HARNESS

1. Check the continuity between ABS actuator and electric unit (control unit) harness connector and wheel sensor harness connector. (Also check continuity when steering wheel is turned right and left and when sensor harness inside the wheel house is moved.)

Measurement terminal for power supply circuit

ABS actuator and electric unit (control unit)		Wheel sensor		Continuity
Connector	Terminal	Connector	Terminal	
E41	9	E27 (Front RH)	1	Existed
	26	E60 (Front LH)		
	7	B33 (Rear RH)		
	6	B34 (Rear LH)		

Measurement terminal for signal circuit

ABS actuator and electric unit (control unit)		Wheel sensor		Continuity
Connector	Terminal	Connector	Terminal	
E41	10	E27 (Front RH)	2	Existed
	5	E60 (Front LH)		
	29	B33 (Rear RH)		
	27	B34 (Rear LH)		

2. Check the continuity between ABS actuator and electric unit (control unit) harness connector.

ABS actuator and electric unit (control unit)				Continuity
Connector	Terminal	Connector	Terminal	
E41	9, 10	E41	1, 4	Not existed
	26, 5			
	7, 29			
	6, 27			

Is the inspection result normal?

YES >> GO TO 5.

NO >> Repair or replace error-detected parts.

5. REPLACE WHEEL SENSOR

1. Replace wheel sensor.
2. Erase self-diagnosis results for "ABS" with CONSULT-III.
3. Turn the ignition switch OFF.
4. Turn the ignition switch ON.

CAUTION:

Never start the engine.

5. Perform self-diagnosis for "ABS" with CONSULT-III.

Is DTC "C1101", "C1102", "C1103" or "C1104" detected?

YES >> Replace ABS actuator and electric unit (control unit).

NO >> INSPECTION END

Special Repair Requirement

INFOID:000000005173722

1. ADJUSTMENT OF STEERING ANGLE SENSOR NEUTRAL POSITION

Always perform the neutral position adjustment for the steering angle sensor, when replacing the ABS actuator and electric unit (control unit). Refer to [BRC-9, "ADJUSTMENT OF STEERING ANGLE SENSOR NEUTRAL POSITION : Description"](#).

>> END

C1105, C1106, C1107, C1108 WHEEL SENSOR

< DTC/CIRCUIT DIAGNOSIS >

[VDC/TCS/ABS]

C1105, C1106, C1107, C1108 WHEEL SENSOR

Description

INFOID:000000005173723

When the sensor rotor rotates, the magnetic field changes. It converts the magnetic field changes to current signals (rectangular wave) and transmits them to the ABS actuator and electric unit (control unit).

DTC Logic

INFOID:000000005173724

DTC DETECTION LOGIC

DTC	Display item	Malfunction detected condition	Possible cause
C1105	RR RH SENSOR-2	When the circuit in the rear RH wheel sensor is short-circuited. Or when the distance between the wheel sensor and sensor rotor is too large and the sensor pulse cannot be recognized by the control unit.	<ul style="list-style-type: none">• Harness or connector• Wheel sensor• ABS actuator and electric unit (control unit)
C1106	RR LH SENSOR-2	When the circuit in the rear LH wheel sensor is short-circuited. Or when the distance between the wheel sensor and sensor rotor is too large and the sensor pulse cannot be recognized by the control unit.	
C1107	FR RH SENSOR-2	When the circuit in the front RH wheel sensor is short-circuited. Or when the distance between the wheel sensor and sensor rotor is too large and the sensor pulse cannot be recognized by the control unit.	
C1108	FR LH SENSOR-2	When the circuit in the front LH wheel sensor is short-circuited. Or when the distance between the wheel sensor and sensor rotor is too large and the sensor pulse cannot be recognized by the control unit.	

DTC CONFIRMATION PROCEDURE

1. DTC REPRODUCTION PROCEDURE

1. Start the engine and drive the vehicle at 30 km/h (19 MPH) or more for approximately 1 minute.
2. Perform self-diagnosis for "ABS" with CONSULT-III.

Is DTC "C1105", "C1106", "C1107" or "C1108" detected?

- YES >> Proceed to diagnosis. Refer to [BRC-39, "Diagnosis Procedure"](#).
NO >> INSPECTION END

Diagnosis Procedure

INFOID:000000005173725

CAUTION:

Do not check between wheel sensor terminals.

1. CHECK TIRES

Check air pressure, wear and size. Refer to [WT-60, "Tire Air Pressure"](#).

Is the inspection result normal?

- YES >> GO TO 2.
NO >> Repair or replace error-detected parts.

2. CHECK SENSOR AND SENSOR ROTOR

- Check sensor rotor for damage.
- Check wheel sensor for damage, disconnection or looseness.

Is the inspection result normal?

- YES >> GO TO 3.
NO >> Repair wheel sensor mount or replace sensor rotor. Then perform self-diagnosis for "ABS" with CONSULT-III.

3. CHECK CONNECTOR

1. Turn the ignition switch OFF.
2. Disconnect ABS actuator and electric unit (control unit) connector.

C1105, C1106, C1107, C1108 WHEEL SENSOR

[VDC/TCS/ABS]

< DTC/CIRCUIT DIAGNOSIS >

3. Disconnect malfunctioning wheel sensor connector.
4. Check terminal to see if it is deformed, disconnected, looseness, etc.

Is the inspection result normal?

- YES >> GO TO 4.
 NO >> Repair or replace error-detected parts.

4.CHECK WHEEL SENSOR HARNESS

1. Check the continuity between ABS actuator and electric unit (control unit) harness connector and wheel sensor harness connector. (Also check continuity when steering wheel is turned right and left and when sensor harness inside the wheel house is moved.)

Measurement terminal for power supply circuit

ABS actuator and electric unit (control unit)		Wheel sensor		Continuity
Connector	Terminal	Connector	Terminal	
E41	9	E27 (Front RH)	1	Existed
	26	E60 (Front LH)		
	7	B33 (Rear RH)		
	6	B34 (Rear LH)		

Measurement terminal for signal circuit

ABS actuator and electric unit (control unit)		Wheel sensor		Continuity
Connector	Terminal	Connector	Terminal	
E41	10	E27 (Front RH)	2	Existed
	5	E60 (Front LH)		
	29	B33 (Rear RH)		
	27	B34 (Rear LH)		

2. Check the continuity between ABS actuator and electric unit (control unit) harness connector.

ABS actuator and electric unit (control unit)				Continuity
Connector	Terminal	Connector	Terminal	
E41	9, 10	E41	1, 4	Not existed
	26, 5			
	7, 29			
	6, 27			

Is the inspection result normal?

- YES >> GO TO 5.
 NO >> Repair or replace error-detected parts.

5.REPLACE WHEEL SENSOR

1. Replace wheel sensor.
2. Erase self-diagnosis results for "ABS" with CONSULT-III.
3. Turn the ignition switch OFF.
4. Turn the ignition switch ON.

CAUTION:

Never start the engine.

5. Perform self-diagnosis for "ABS" with CONSULT-III.

Is DTC "C1105", "C1106", "C1107" or "C1108" detected?

- YES >> Replace ABS actuator and electric unit (control unit).
 NO >> INSPECTION END

Special Repair Requirement

INFOID:000000005173726

1.AJUSTMENT OF STEERING ANGLE SENSOR NEUTRAL POSITION

C1105, C1106, C1107, C1108 WHEEL SENSOR

< DTC/CIRCUIT DIAGNOSIS >

[VDC/TCS/ABS]

Always perform the neutral position adjustment for the steering angle sensor, when replacing the ABS actuator and electric unit (control unit). Refer to [BRC-9, "ADJUSTMENT OF STEERING ANGLE SENSOR NEUTRAL POSITION : Description"](#).

>> END

A
B
C
D
E
G
H
I
J
K
L
M
N
O
P

BRC

C1109 POWER AND GROUND SYSTEM

< DTC/CIRCUIT DIAGNOSIS >

[VDC/TCS/ABS]

C1109 POWER AND GROUND SYSTEM

Description

INFOID:000000005173727

Supplies electric power to the ABS actuator and electric unit (control unit).

DTC Logic

INFOID:000000005173728

DTC DETECTION LOGIC

DTC	Display item	Malfunction detected condition	Possible cause
C1109	BATTERY VOLTAGE [ABNORMAL]	When the ABS actuator and electric unit (control unit) power supply voltage is lower than normal.	<ul style="list-style-type: none">• Harness or connector• ABS actuator and electric unit (control unit)

DTC CONFIRMATION PROCEDURE

1. DTC REPRODUCTION PROCEDURE

1. Turn the ignition switch OFF to ON.
2. Perform self-diagnosis for "ABS" with CONSULT-III.

Is DTC "C1109" detected?

- YES >> Proceed to diagnosis procedure. Refer to [BRC-42, "Diagnosis Procedure"](#).
NO >> INSPECTION END

Diagnosis Procedure

INFOID:000000005173729

1. CHECK CONNECTOR

1. Turn the ignition switch OFF.
2. Disconnect ABS actuator and electric unit (control unit) harness connector.
3. Check terminal for deformation, disconnection, looseness, etc.

Is the inspection result normal?

- YES >> GO TO 2.
NO >> Repair or replace error-detected parts.

2. CHECK ABS ACTUATOR AND ELECTRIC UNIT (CONTROL UNIT) POWER SUPPLY

1. Check the voltage between ABS actuator and electric unit (control unit) harness connector and ground.

ABS actuator and electric unit (control unit)		—	Condition	Voltage
Connector	Terminal			
E41	28	Ground	Ignition switch: OFF	Approx. 0 V

2. Turn the ignition switch ON.

CAUTION:

Never start the engine.

3. Check the voltage between ABS actuator and electric unit (control unit) harness connector and ground.

ABS actuator and electric unit (control unit)		—	Condition	Voltage
Connector	Terminal			
E41	28	Ground	Ignition switch: ON	Battery voltage

Is the inspection result normal?

- YES >> GO TO 4.
NO >> GO TO 3.

3. CHECK ABS ACTUATOR AND ELECTRIC UNIT (CONTROL UNIT) POWER SUPPLY CIRCUIT

1. Turn the ignition switch OFF.
2. Check 10A fusible link (45).
3. Disconnect IPDM E/R harness connector.

C1109 POWER AND GROUND SYSTEM

[VDC/TCS/ABS]

< DTC/CIRCUIT DIAGNOSIS >

4. Check continuity between ABS actuator and electric unit (control unit) harness connector and IPDM E/R harness connector.

ABS actuator and electric unit (control unit)		IPDM E/R		Continuity
Connector	Terminal	Connector	Terminal	
E41	28	E5	25	Existed

Is the inspection result normal?

YES >> Perform the trouble diagnosis for ignition power supply circuit. Refer to [PG-69. "Wiring Diagram - IGNITION POWER SUPPLY -"](#).

NO >> Repair or replace error-detected parts.

4.CHECK ABS ACTUATOR AND ELECTRIC UNIT (CONTROL UNIT) GROUND CIRCUIT

Check the continuity between ABS actuator and electric unit (control unit) harness connector and ground.

ABS actuator and electric unit (control unit)		—	Continuity
Connector	Terminal		
E41	1	Ground	Existed
	4		

Is the inspection result normal?

YES >> Replace ABS actuator and electric unit (control unit).

NO >> Repair or replace error-detected parts. (Check ABS earth bolt for tightness and corrosion.)

Special Repair Requirement

INFOID:000000005173730

1.ADJUSTMENT OF STEERING ANGLE SENSOR NEUTRAL POSITION

Always perform the neutral position adjustment for the steering angle sensor, when replacing the ABS actuator and electric unit (control unit). Refer to [BRC-9. "ADJUSTMENT OF STEERING ANGLE SENSOR NEUTRAL POSITION : Description"](#).

>> END

C1110, C1153, C1170 ABS ACTUATOR AND ELECTRIC UNIT (CONTROL UNIT)

DTC Logic

INFOID:000000005173731

DTC DETECTION LOGIC

DTC	Display item	Malfunction detected condition	Possible cause
C1110	CONTROLLER FAILURE	When there is an internal malfunction in the ABS actuator and electric unit (control unit).	ABS actuator and electric unit (control unit)
C1153	EMERGENCY BRAKE	When ABS actuator and electric unit (control unit) is malfunctioning. (Pressure increase is too much or too little)	
C1170	VARIANT CODING	In a case where VARIANT CODING is different.	

DTC CONFIRMATION PROCEDURE

1.DTC REPRODUCTION PROCEDURE

1. Turn the ignition switch ON.
2. Perform self-diagnosis for "ABS" with CONSULT-III.

Is DTC "C1110", "C1153" or "C1170" detected?

- YES >> Proceed to diagnosis procedure. Refer to [BRC-44, "Diagnosis Procedure"](#).
 NO >> INSPECTION END

Diagnosis Procedure

INFOID:000000005173732

1.REPLACE ABS ACTUATOR AND ELECTRIC UNIT (CONTROL UNIT)

CAUTION:

Replace ABS actuator and electric unit (control unit) when self-diagnostic result shows items other than those applicable.

>> Replace ABS actuator and electric unit (control unit).

Special Repair Requirement

INFOID:000000005173733

1.ADJUSTMENT OF STEERING ANGLE SENSOR NEUTRAL POSITION

Always perform the neutral position adjustment for the steering angle sensor, when replacing the ABS actuator and electric unit (control unit). Refer to [BRC-9, "ADJUSTMENT OF STEERING ANGLE SENSOR NEUTRAL POSITION : Description"](#).

>> END

C1111 ABS MOTOR, MOTOR RELAY SYSTEM

< DTC/CIRCUIT DIAGNOSIS >

[VDC/TCS/ABS]

C1111 ABS MOTOR, MOTOR RELAY SYSTEM

Description

INFOID:000000005173734

PUMP

The pump returns the brake fluid stored in the reservoir to the master cylinder by reducing the pressure.

MOTOR

The motor drives the pump according to the signals transmitted by the ABS actuator and electric unit (control unit).

MOTOR RELAY

Activates or deactivates motor according to the signals transmitted by the ABS actuator and electric unit (control unit).

DTC Logic

INFOID:000000005173735

DTC DETECTION LOGIC

DTC	Display item	Malfunction detected condition	Possible cause
C1111	PUMP MOTOR	During the actuator motor operating with ON, when the actuator motor turns OFF, or when the control line for actuator motor relay is open.	<ul style="list-style-type: none"> Harness or connector ABS actuator and electric unit (control unit)
		During the actuator motor operating with OFF, when the actuator motor turns ON, or when the control line for relay is shorted to ground.	

DTC CONFIRMATION PROCEDURE

1. DTC REPRODUCTION PROCEDURE

- Turn the ignition switch ON.
- Perform self-diagnosis for "ABS" with CONSULT-III.

Is DTC "C1111" detected?

- YES >> Proceed to diagnosis procedure. Refer to [BRC-45, "Diagnosis Procedure"](#).
- NO >> INSPECTION END

Diagnosis Procedure

INFOID:000000005173736

1. CHECK CONNECTOR

- Turn the ignition switch OFF.
- Disconnect ABS actuator and electric unit (control unit) connector.
- Check terminal for deformation, disconnect, looseness, etc.

Is the inspection result normal?

- YES >> GO TO 2.
- NO >> Repair or replace error-detected parts.

2. CHECK ABS MOTOR AND MOTOR RELAY POWER SUPPLY CIRCUIT

Check the voltage between the ABS actuator and electric unit (control unit) harness connector and ground.

ABS actuator and electric unit (control unit)		—	Voltage
Connector	Terminal		
E41	2	Ground	Battery voltage

Is the inspection result normal?

- YES >> GO TO 3.
- NO >> Repair or replace error-detected parts.

3. CHECK ABS ACTUATOR AND ELECTRIC UNIT (CONTROL UNIT) GROUND CIRCUIT

Check the continuity between ABS actuator and electric unit (control unit) harness connector and ground.

C1111 ABS MOTOR, MOTOR RELAY SYSTEM

< DTC/CIRCUIT DIAGNOSIS >

[VDC/TCS/ABS]

ABS actuator and electric unit (control unit)		—	Continuity
Connector	Terminal		
E41	1	Ground	Existed
	4		

Is the inspection result normal?

YES >> Replace ABS actuator and electric unit (control unit).

NO >> Repair or replace error-detected parts.

Special Repair Requirement

INFOID:000000005173737

1. ADJUSTMENT OF STEERING ANGLE SENSOR NEUTRAL POSITION

Always perform the neutral position adjustment for the steering angle sensor, when replacing the ABS actuator and electric unit (control unit). Refer to [BRC-9. "ADJUSTMENT OF STEERING ANGLE SENSOR NEUTRAL POSITION : Description"](#).

>> END

C1114 ACTUATOR RELAY SYSTEM

< DTC/CIRCUIT DIAGNOSIS >

[VDC/TCS/ABS]

C1114 ACTUATOR RELAY SYSTEM

Description

INFOID:000000005173738

Activates or deactivates each solenoid valve according to the signals transmitted by the ABS actuator and electric unit (control unit).

DTC Logic

INFOID:000000005173739

DTC DETECTION LOGIC

DTC	Display item	Malfunction detected condition	Possible cause
C1114	MAIN RELAY	During the actuator relay operating with OFF, when the actuator relay turns ON, or when the control line for the relay is shorted to the ground.	<ul style="list-style-type: none"> • Harness or connector • ABS actuator and electric unit (control unit)
		During the actuator relay operating with ON, when the actuator relay turns ON, or when the control line for the relay is open.	

DTC CONFIRMATION PROCEDURE

1. DTC REPRODUCTION PROCEDURE

1. Turn the ignition switch ON.
2. Perform self-diagnosis for "ABS" with CONSULT-III.

Is DTC "C1114" detected?

- YES >> Proceed to diagnosis procedure. Refer to [BRC-47, "Diagnosis Procedure"](#).
 NO >> INSPECTION END

Diagnosis Procedure

INFOID:000000005173740

1. CHECK CONNECTOR

1. Turn the ignition switch OFF.
2. Disconnect ABS actuator and electric unit (control unit) connector.
3. Check terminal for deformation, disconnection, looseness, etc.

Is the inspection result normal?

- YES >> GO TO 2.
 NO >> Repair or replace error-detected parts.

2. CHECK SOLENOID, VDC SWITCH-OVER VALVE AND ACTUATOR RELAY POWER SUPPLY CIRCUIT

Check the voltage between ABS actuator and electric unit (control unit) harness connector and ground.

ABS actuator and electric unit (control unit)		—	Voltage
Connector	Terminal		
E41	3	Ground	Battery voltage

Is the inspection result normal?

- YES >> GO TO 3.
 NO >> Repair or replace error-detected parts.

3. CHECK SOLENOID, VDC SWITCH-OVER VALVE AND ACTUATOR RELAY GROUND CIRCUIT

Check the continuity between ABS actuator and electric unit (control unit) harness connector and ground.

ABS actuator and electric unit (control unit)		—	Continuity
Connector	Terminal		
E41	1	Ground	Existed
	4		

C1114 ACTUATOR RELAY SYSTEM

[VDC/TCS/ABS]

< DTC/CIRCUIT DIAGNOSIS >

Is the inspection result normal?

YES >> Replace ABS actuator and electric unit (control unit).

NO >> Repair or replace error-detected parts.

Special Repair Requirement

INFOID:000000005173741

1. ADJUSTMENT OF STEERING ANGLE SENSOR NEUTRAL POSITION

Always perform the neutral position adjustment for the steering angle sensor, when replacing the ABS actuator and electric unit (control unit). Refer to [BRC-9, "ADJUSTMENT OF STEERING ANGLE SENSOR NEUTRAL POSITION : Description"](#).

>> END

C1115 WHEEL SENSOR

< DTC/CIRCUIT DIAGNOSIS >

[VDC/TCS/ABS]

C1115 WHEEL SENSOR

Description

INFOID:000000005173742

When the sensor rotor rotates, the magnetic field changes. It converts the magnetic field changes to current signals (rectangular wave) and transmits them to the ABS actuator and electric unit (control unit).

DTC Logic

INFOID:000000005173743

DTC DETECTION LOGIC

DTC	Display item	Malfunction detected condition	Possible cause
C1115	ABS SENSOR [ABNORMAL SIGNAL]	When wheel sensor input signal is malfunctioning.	<ul style="list-style-type: none">• Harness or connector• Wheel sensor• ABS actuator and electric unit (control unit)

DTC CONFIRMATION PROCEDURE

1. DTC REPRODUCTION PROCEDURE

1. Start the engine and drive the vehicle at 30 km/h (19 MPH) or more for approximately 1 minute.
2. Perform self-diagnosis for "ABS" with CONSULT-III.

Is DTC "C1115" detected?

- YES >> Proceed to diagnosis. Refer to [BRC-49. "Diagnosis Procedure"](#).
NO >> INSPECTION END

Diagnosis Procedure

INFOID:000000005173744

CAUTION:

Do not check between wheel sensor terminals.

1. CHECK TIRES

Check air pressure, wear and size. Refer to [WT-60. "Tire Air Pressure"](#).

Is the inspection result normal?

- YES >> GO TO 2.
NO >> Repair or replace error-detected parts.

2. CHECK SENSOR AND SENSOR ROTOR

- Check sensor rotor for damage.
- Check wheel sensor for damage, disconnection or looseness.

Is the inspection result normal?

- YES >> GO TO 3.
NO >> Repair wheel sensor mount or replace sensor rotor. Then perform self-diagnosis for "ABS" with CONSULT-III.

3. CHECK CONNECTOR

1. Turn the ignition switch OFF.
2. Disconnect ABS actuator and electric unit (control unit) connector.
3. Disconnect wheel sensor connector.
4. Check terminal to see if it is deformed, disconnected, looseness, etc.

Is the inspection result normal?

- YES >> GO TO 4.
NO >> Repair or replace error-detected parts.

4. CHECK WHEEL SENSOR HARNESS

1. Check the continuity between ABS actuator and electric unit (control unit) harness connector and wheel sensor harness connector. (Also check continuity when steering wheel is turned right and left and when sensor harness inside the wheel house is moved.)

C1115 WHEEL SENSOR

[VDC/TCS/ABS]

< DTC/CIRCUIT DIAGNOSIS >

Measurement terminal for power supply circuit				
ABS actuator and electric unit (control unit)		Wheel sensor		Continuity
Connector	Terminal	Connector	Terminal	
E41	9	E27 (Front RH)	1	Existed
	26	E60 (Front LH)		
	7	B33 (Rear RH)		
	6	B34 (Rear LH)		

Measurement terminal for signal circuit				
ABS actuator and electric unit (control unit)		Wheel sensor		Continuity
Connector	Terminal	Connector	Terminal	
E41	10	E27 (Front RH)	2	Existed
	5	E60 (Front LH)		
	29	B33 (Rear RH)		
	27	B34 (Rear LH)		

2. Check the continuity between ABS actuator and electric unit (control unit) harness connector.

ABS actuator and electric unit (control unit)				Continuity
Connector	Terminal	Connector	Terminal	
E41	9, 10	E41	1, 4	Not existed
	26, 5			
	7, 29			
	6, 27			

Is the inspection result normal?

YES >> GO TO 5.

NO >> Repair or replace error-detected parts.

5. REPLACE WHEEL SENSOR

1. Replace wheel sensor.
2. Erase self-diagnosis results for "ABS" with CONSULT-III.
3. Turn the ignition switch OFF.
4. Turn the ignition switch ON.

CAUTION:

Never start the engine.

5. Perform self-diagnosis for "ABS" with CONSULT-III.

Is DTC "C1115" detected?

YES >> Replace ABS actuator and electric unit (control unit).

NO >> INSPECTION END

Special Repair Requirement

INFOID:000000005173745

1. ADJUSTMENT OF STEERING ANGLE SENSOR NEUTRAL POSITION

Always perform the neutral position adjustment for the steering angle sensor, when replacing the ABS actuator and electric unit (control unit). Refer to [BRC-9. "ADJUSTMENT OF STEERING ANGLE SENSOR NEUTRAL POSITION : Description"](#).

>> END

C1116 STOP LAMP SWITCH

< DTC/CIRCUIT DIAGNOSIS >

[VDC/TCS/ABS]

C1116 STOP LAMP SWITCH

Description

INFOID:000000005173746

The stop lamp switch transmits the stop lamp switch signal (ON/OFF) to the ABS actuator and electric unit (control unit).

DTC Logic

INFOID:000000005173747

DTC DETECTION LOGIC

DTC	Display item	Malfunction detected condition	Possible cause
C1116	STOP LAMP SW	When a stop lamp switch signal is not input where the brake pedal is depressed.	<ul style="list-style-type: none">• Harness or connector• Stop lamp switch• ABS actuator and electric unit (control unit)

DTC CONFIRMATION PROCEDURE

1. DTC REPRODUCTION PROCEDURE

1. Turn the ignition switch ON.
2. Perform self-diagnosis for "ABS" with CONSULT-III.

Is DTC "C1116" detected?

- YES >> Proceed to diagnosis procedure. Refer to [BRC-51, "Diagnosis Procedure"](#).
NO >> INSPECTION END

Diagnosis Procedure

INFOID:000000005173748

1. CHECK CONNECTOR

1. Turn the ignition switch OFF.
2. Disconnect ABS actuator and electric unit (control unit) harness connector.
3. Disconnect stop lamp switch harness connector.
4. Check terminal for deformation, disconnection, looseness, etc.
5. Reconnect ABS actuator and electric unit (control unit) and stop lamp switch connectors securely.
6. Start the engine.
7. Repeat pumping brake pedal carefully several times, and perform self-diagnosis for "ABS" with CONSULT-III.

Is the inspection result normal?

- YES >> GO TO 2.
NO >> Poor connection of connector terminal. Repair or replace error-detected.

2. CHECK STOP LAMP SWITCH CLEARANCE

Check stop lamp switch clearance. Refer to [BR-7, "Inspection and Adjustment"](#).

Is the inspection result normal?

- YES >> GO TO 3.
NO >> Adjust stop lamp switch clearance. Refer to [BR-7, "Inspection and Adjustment"](#).

3. CHECK STOP LAMP SWITCH

Check stop lamp switch. Refer to [BRC-52, "Component Inspection"](#).

Is the inspection result normal?

- YES >> GO TO 4.
NO >> Replace stop lamp switch. Refer to [BR-18, "Exploded View"](#).

4. CHECK STOP LAMP SWITCH CIRCUIT

Check the voltage between ABS actuator and electric unit (control unit) harness connector and ground.

C1116 STOP LAMP SWITCH

< DTC/CIRCUIT DIAGNOSIS >

[VDC/TCS/ABS]

ABS actuator and electric unit (control unit)		Condition	Voltage
Connector	Terminal		
E41	30	Brake pedal is depressed	Battery voltage
		Brake pedal is released	Approx. 0 V

Is the inspection result normal?

- YES >> Replace ABS actuator and electric unit (control unit).
NO >> Repair or replace error-detected parts.

Component Inspection

INFOID:000000005173749

1.CHECK STOP LAMP SWITCH

1. Turn the ignition switch OFF.
2. Disconnect stop lamp switch connector.
3. Check the continuity between stop lamp switch connector terminals.

Stop lamp switch	Condition	Continuity
Terminal		
3 - 4	Release stop lamp switch (When brake pedal is depressed.)	Existed
	Push stop lamp switch (When brake pedal is released.)	Not existed

Is the inspection result normal?

- YES >> INSPECTION END
NO >> Replace stop lamp switch. Refer to [BR-18. "Exploded View"](#).

Special Repair Requirement

INFOID:000000005173750

1.ADJUSTMENT OF STEERING ANGLE SENSOR NEUTRAL POSITION

Always perform the neutral position adjustment for the steering angle sensor, when replacing the ABS actuator and electric unit (control unit). Refer to [BRC-9. "ADJUSTMENT OF STEERING ANGLE SENSOR NEUTRAL POSITION : Description"](#).

>> END

C1120, C1122, C1124, C1126 IN ABS SOL

< DTC/CIRCUIT DIAGNOSIS >

[VDC/TCS/ABS]

C1120, C1122, C1124, C1126 IN ABS SOL

Description

INFOID:000000005173751

The solenoid valve increases, holds or decreases the fluid pressure of each brake caliper according to the signals transmitted by the ABS actuator and electric unit (control unit).

DTC Logic

INFOID:000000005173752

DTC DETECTION LOGIC

DTC	Display item	Malfunction detected condition	Possible cause
C1120	FR LH IN ABS SOL	When the control unit detects a malfunction in the front LH inlet solenoid circuit.	ABS actuator and electric unit (control unit)
C1122	FR RH IN ABS SOL	When the control unit detects a malfunction in the front RH inlet solenoid circuit.	
C1124	RR LH IN ABS SOL	When the control unit detects a malfunction in the rear LH inlet solenoid circuit.	
C1126	RR RH IN ABS SOL	When the control unit detects a malfunction in the rear RH inlet solenoid circuit.	

DTC CONFIRMATION PROCEDURE

1. DTC REPRODUCTION PROCEDURE

1. Turn the ignition switch ON.
2. Perform self-diagnosis for "ABS" with CONSULT-III.

Is DTC "C1120", "C1122", "C1124" or "C1126" detected?

- YES >> Proceed to diagnosis procedure. Refer to [BRC-53, "Diagnosis Procedure"](#).
 NO >> INSPECTION END

Diagnosis Procedure

INFOID:000000005173753

1. CHECK CONNECTOR

1. Turn the ignition switch OFF.
2. Disconnect ABS actuator and electric unit (control unit) connector.
3. Check terminal for deformation, disconnection, looseness, etc.

Is the inspection result normal?

- YES >> GO TO 2.
 NO >> Repair or replace error-detected parts.

2. CHECK SOLENOID, VDC SWITCH-OVER VALVE AND ACTUATOR RELAY POWER SUPPLY CIRCUIT

Check the voltage between ABS actuator and electric unit (control unit) harness connector and ground.

ABS actuator and electric unit (control unit)		—	Voltage
Connector	Terminal		
E41	3	Ground	Battery voltage

Is the inspection result normal?

- YES >> GO TO 3.
 NO >> Repair or replace error-detected parts.

3. CHECK SOLENOID, VDC SWITCH-OVER VALVE AND ACTUATOR RELAY GROUND CIRCUIT

Check the continuity between ABS actuator and electric unit (control unit) harness connector and ground.

C1120, C1122, C1124, C1126 IN ABS SOL

< DTC/CIRCUIT DIAGNOSIS >

[VDC/TCS/ABS]

ABS actuator and electric unit (control unit)		—	Continuity
Connector	Terminal		
E41	1	Ground	Existed
	4		

Is the inspection result normal?

YES >> Replace ABS actuator and electric unit (control unit).

NO >> Repair or replace error-detected parts.

Special Repair Requirement

INFOID:000000005173754

1. ADJUSTMENT OF STEERING ANGLE SENSOR NEUTRAL POSITION

Always perform the neutral position adjustment for the steering angle sensor, when replacing the ABS actuator and electric unit (control unit). Refer to [BRC-9. "ADJUSTMENT OF STEERING ANGLE SENSOR NEUTRAL POSITION : Description"](#).

>> END

C1121, C1123, C1125, C1127 OUT ABS SOL

< DTC/CIRCUIT DIAGNOSIS >

[VDC/TCS/ABS]

C1121, C1123, C1125, C1127 OUT ABS SOL

Description

INFOID:000000005173755

The solenoid valve increases, holds or decreases the fluid pressure of each brake caliper according to the signals transmitted by the ABS actuator and electric unit (control unit).

DTC Logic

INFOID:000000005173756

DTC DETECTION LOGIC

DTC	Display item	Malfunction detected condition	Possible cause
C1121	FR LH OUT ABS SOL	When the control unit detects a malfunction in the front LH outlet solenoid circuit.	ABS actuator and electric unit (control unit)
C1123	FR RH OUT ABS SOL	When the control unit detects a malfunction in the front RH outlet solenoid circuit.	
C1125	RR LH OUT ABS SOL	When the control unit detects a malfunction in the rear LH outlet solenoid circuit.	
C1127	RR RH OUT ABS SOL	When the control unit detects a malfunction in the rear RH outlet solenoid circuit.	

DTC CONFIRMATION PROCEDURE

1. DTC REPRODUCTION PROCEDURE

1. Turn the ignition switch ON.
2. Perform self-diagnosis for "ABS" with CONSULT-III.

Is DTC "C1121", "C1123", "C1125" or "C1127" detected?

- YES >> Proceed to diagnosis procedure. Refer to [BRC-55, "Diagnosis Procedure"](#).
 NO >> INSPECTION END

Diagnosis Procedure

INFOID:000000005173757

1. CHECK CONNECTOR

1. Turn the ignition switch OFF.
2. Disconnect ABS actuator and electric unit (control unit) connector.
3. Check terminal for deformation, disconnection, looseness, etc.

Is the inspection result normal?

- YES >> GO TO 2.
 NO >> Repair or replace error-detected parts.

2. CHECK SOLENOID, VDC SWITCH-OVER VALVE AND ACTUATOR RELAY POWER SUPPLY CIRCUIT

Check the voltage between ABS actuator and electric unit (control unit) harness connector and ground.

ABS actuator and electric unit (control unit)		—	Voltage
Connector	Terminal		
E41	3	Ground	Battery voltage

Is the inspection result normal?

- YES >> GO TO 3.
 NO >> Repair or replace error-detected parts.

3. CHECK SOLENOID, VDC SWITCH-OVER VALVE AND ACTUATOR RELAY GROUND CIRCUIT

Check the continuity between ABS actuator and electric unit (control unit) harness connector and ground.

C1121, C1123, C1125, C1127 OUT ABS SOL

< DTC/CIRCUIT DIAGNOSIS >

[VDC/TCS/ABS]

ABS actuator and electric unit (control unit)		—	Continuity
Connector	Terminal		
E41	1	Ground	Existed
	4		

Is the inspection result normal?

YES >> Replace ABS actuator and electric unit (control unit).

NO >> Repair or replace error-detected parts.

Special Repair Requirement

INFOID:000000005173758

1. ADJUSTMENT OF STEERING ANGLE SENSOR NEUTRAL POSITION

Always perform the neutral position adjustment for the steering angle sensor, when replacing the ABS actuator and electric unit (control unit). Refer to [BRC-9. "ADJUSTMENT OF STEERING ANGLE SENSOR NEUTRAL POSITION : Description"](#).

>> END

C1130 ENGINE SIGNAL

< DTC/CIRCUIT DIAGNOSIS >

[VDC/TCS/ABS]

C1130 ENGINE SIGNAL

Description

INFOID:000000005173759

ABS actuator and electric unit (control unit) and ECM exchange the engine signal with CAN communication line.

DTC Logic

INFOID:000000005173760

DTC DETECTION LOGIC

DTC	Display item	Malfunction detected condition	Possible cause
C1130	ENGINE SIGNAL 1	Major engine components are malfunctioning.	<ul style="list-style-type: none">• Harness or connector• ABS actuator and electric unit (control unit)• ECM• CAN communication line

DTC CONFIRMATION PROCEDURE

1. DTC REPRODUCTION PROCEDURE

1. Turn the ignition switch ON.
2. Perform self-diagnosis for "ABS" with CONSULT-III.

Is DTC "C1130" detected?

- YES >> Proceed to diagnosis procedure. Refer to [BRC-57, "Diagnosis Procedure"](#).
NO >> INSPECTION END

Diagnosis Procedure

INFOID:000000005173761

1. ECM SELF-DIAGNOSIS

Perform self-diagnosis for "ENGINE" with CONSULT-III.

Is any item indicated on the self-diagnosis display?

- YES >> Check the malfunctioning system.
NO >> GO TO 2.

2. ABS ACTUATOR AND ELECTRIC UNIT (CONTROL UNIT) SELF-DIAGNOSIS

1. Erase self-diagnosis results for "ABS" with CONSULT-III.
2. Turn the ignition switch OFF.
3. Start the engine. Drive the vehicle for a while.
4. Make sure that malfunction indicator lamp (MIL) turns OFF.
5. Stop the engine. Perform self-diagnosis for "ABS" with CONSULT-III.

Is any item indicated on the self-diagnosis display?

- YES >> Replace ABS actuator and electric unit (control unit).
NO >> Check ABS actuator and electric unit (control unit) pin terminals for damage or loose connection with harness connector. If any items are damaged, repair or replace error-detected parts.

Special Repair Requirement

INFOID:000000005173762

1. ADJUSTMENT OF STEERING ANGLE SENSOR NEUTRAL POSITION

Always perform the neutral position adjustment for the steering angle sensor, when replacing the ABS actuator and electric unit (control unit). Refer to [BRC-9, "ADJUSTMENT OF STEERING ANGLE SENSOR NEUTRAL POSITION : Description"](#).

>> END

C1142 PRESS SENSOR

< DTC/CIRCUIT DIAGNOSIS >

[VDC/TCS/ABS]

C1142 PRESS SENSOR

Description

INFOID:000000005173763

The pressure sensor converts the brake fluid pressure to an electric signal and transmits it to the ABS actuator and electric unit (control unit). [The pressure sensor is integrated in the ABS actuator and electric unit (control unit).]

DTC Logic

INFOID:000000005173764

DTC DETECTION LOGIC

DTC	Display item	Malfunction detected condition	Possible cause
C1142	PRESS SEN CIRCUIT	Pressure sensor signal line is open or shorted, or pressure sensor is malfunctioning.	<ul style="list-style-type: none"> • Harness or connector • Stop lamp switch • ABS actuator and electric unit (control unit)

DTC CONFIRMATION PROCEDURE

1. DTC REPRODUCTION PROCEDURE

1. Turn the ignition switch ON.
2. Perform self-diagnosis for "ABS" with CONSULT-III.

Is DTC "C1142" detected?

- YES >> Proceed to diagnosis procedure. Refer to [BRC-58. "Diagnosis Procedure"](#).
 NO >> INSPECTION END

Diagnosis Procedure

INFOID:000000005173765

1. CHECK STOP LAMP SWITCH

Check stop lamp switch system. Refer to [BRC-51. "Diagnosis Procedure"](#).

Is the inspection result normal?

- YES >> GO TO 2.
 NO >> Repair or replace malfunction component.

2. CHECK BRAKE SYSTEM

1. Check brake fluid leakage: Refer to [BR-10. "Inspection"](#).
2. Check front brake piping: Refer to [BR-22. "FRONT : Inspection"](#).
3. Check rear brake piping: Refer to [BR-24. "REAR : Inspection"](#).
4. Check brake pedal: Refer to [BR-19. "Inspection and Adjustment"](#).
5. Check master cylinder: Refer to [BR-28. "Inspection"](#).
6. Check brake booster: Refer to [BR-30. "Inspection and Adjustment"](#).
7. Check front disc brake: Refer to [BR-39. "BRAKE CALIPER ASSEMBLY : Inspection"](#).
8. Check rear disc brake: Refer to [BR-45. "BRAKE CALIPER ASSEMBLY : Inspection"](#).

Is the inspection result normal?

- YES >> GO TO 3.
 NO >> Repair or replace error-detected parts.

3. ABS ACTUATOR AND ELECTRIC UNIT (CONTROL UNIT) SELF-DIAGNOSIS

Perform self-diagnosis for "ABS" with CONSULT-III.

Is any item indicated on the self-diagnosis display?

- YES >> Replace ABS actuator and electric unit (control unit).
 NO >> Check ABS actuator and electric unit (control unit) pin terminals for damage or loose connection with harness connector. If any items are damaged, repair or replace error-detected parts.

Special Repair Requirement

INFOID:000000005173766

1. ADJUSTMENT OF STEERING ANGLE SENSOR NEUTRAL POSITION

C1142 PRESS SENSOR

[VDC/TCS/ABS]

< DTC/CIRCUIT DIAGNOSIS >

Always perform the neutral position adjustment for the steering angle sensor, when replacing the ABS actuator and electric unit (control unit). Refer to [BRC-9, "ADJUSTMENT OF STEERING ANGLE SENSOR NEUTRAL POSITION : Description"](#).

>> END

A
B
C
D
E
G
H
I
J
K
L
M
N
O
P

BRC

C1143 STEERING ANGLE SENSOR

< DTC/CIRCUIT DIAGNOSIS >

[VDC/TCS/ABS]

C1143 STEERING ANGLE SENSOR

Description

INFOID:000000005173767

The steering angle sensor detects the rotation amount, angular velocity and direction of the steering wheel, and transmits the data to the ABS actuator and electric unit (control unit) via CAN communication.

DTC Logic

INFOID:000000005173768

DTC DETECTION LOGIC

DTC	Display item	Malfunction detected condition	Possible cause
C1143	ST ANG SEN CIRCUIT	Steering angle sensor is malfunctioning.	<ul style="list-style-type: none">• Harness or connector• Steering angle sensor• ABS actuator and electric unit (control unit)

DTC CONFIRMATION PROCEDURE

1. DTC REPRODUCTION PROCEDURE

1. Turn the ignition switch ON.
2. Perform self-diagnosis for "ABS" with CONSULT-III.

Is DTC "C1143" detected?

- YES >> Proceed to diagnosis procedure. Refer to [BRC-60. "Diagnosis Procedure"](#).
NO >> INSPECTION END

Diagnosis Procedure

INFOID:000000005173769

1. CHECK CONNECTOR

1. Turn the ignition switch OFF.
2. Disconnect ABS actuator and electric unit (control unit) connector.
3. Disconnect steering angle sensor connector.
4. Check terminal for deformation, disconnection, looseness, etc.

Is the inspection result normal?

- YES >> GO TO 2.
NO >> Repair or replace error-detected parts.

2. CHECK STEERING ANGLE SENSOR POWER SUPPLY

1. Check the voltage between steering angle sensor harness connector and ground.

Steering angle sensor		—	Condition	Voltage
Connector	Terminal			
M37	8	Ground	Ignition switch: OFF	Approx. 0 V

2. Turn the ignition switch ON.

CAUTION:

Never start the engine.

3. Check the voltage between steering angle sensor harness connector and ground.

Steering angle sensor		—	Condition	Voltage
Connector	Terminal			
M37	8	Ground	Ignition switch: ON	Battery voltage

Is the inspection result normal?

- YES >> GO TO 4.
NO >> GO TO 3.

3. CHECK STEERING ANGLE SENSOR POWER SUPPLY CIRCUIT

C1143 STEERING ANGLE SENSOR

[VDC/TCS/ABS]

< DTC/CIRCUIT DIAGNOSIS >

1. Turn the ignition switch OFF.
2. Check 10 A fusible link (45).
3. Disconnect IPDM E/R harness connector.
4. Check continuity between steering angle sensor harness connector and IPDM E/R harness connector.

Steering angle sensor		IPDM E/R		Continuity
Connector	Terminal	Connector	Terminal	
M37	8	E5	25	Existed

Is the inspection result normal?

YES >> Perform the trouble diagnosis for ignition power supply circuit. Refer to [PG-69, "Wiring Diagram - IGNITION POWER SUPPLY -"](#).

NO >> Repair or replace error-detected parts.

4. CHECK STEERING ANGLE SENSOR GROUND

Check continuity between steering angle sensor harness connector and ground.

Steering angle sensor		—	Continuity
Connector	Terminal		
M37	7	Ground	Existed

Is the inspection result normal?

YES >> GO TO 5.

NO >> Repair or replace error-detected parts.

5. CHECK DATA LINE

Check "STRG BRANCH LINE CIRCUIT". Refer to [LAN-61, "Diagnosis Procedure"](#).

Is the inspection result normal?

YES >> Replace ABS actuator and electric unit (control unit).

NO >> Repair or replace error-detected parts.

Special Repair Requirement

INFOID:000000005173770

1. ADJUSTMENT OF STEERING ANGLE SENSOR NEUTRAL POSITION

Always perform the neutral position adjustment for the steering angle sensor, when replacing the steering angle sensor or the ABS actuator and electric unit (control unit). Refer to [BRC-9, "ADJUSTMENT OF STEERING ANGLE SENSOR NEUTRAL POSITION : Description"](#).

>> END

C1144 INCOMPLETE STEERING ANGLE SENSOR ADJUSTMENT

< DTC/CIRCUIT DIAGNOSIS >

[VDC/TCS/ABS]

C1144 INCOMPLETE STEERING ANGLE SENSOR ADJUSTMENT

DTC Logic

INFOID:000000005173771

DTC DETECTION LOGIC

DTC	Display item	Malfunction detected condition	Possible cause
C1144	ST ANG SEN SIGNAL	Neutral position of steering angle sensor is not finished.	<ul style="list-style-type: none">• Harness or connector• Steering angle sensor• ABS actuator and electric unit (control unit)

DTC CONFIRMATION PROCEDURE

1. DTC REPRODUCTION PROCEDURE

1. Turn the ignition switch ON.
2. Select "ABS", "WORK SUPPORT" and "ST ANGLE SENSOR ADJUSTMENT" in order with CONSULT-III, and perform adjust the neutral position of steering angle sensor.
3. Perform self-diagnosis for "ABS" with CONSULT-III.

Is DTC "C1144" detected?

- YES >> Proceed to diagnosis procedure. Refer to [BRC-62. "Diagnosis Procedure"](#).
NO >> INSPECTION END

Diagnosis Procedure

INFOID:000000005173772

1. CHECK STEERING ANGLE SENSOR

Check steering angle sensor. Refer to [BRC-60. "Diagnosis Procedure"](#).

Is the inspection result normal?

- YES >> Replace ABS actuator and electric unit (control unit).
NO >> Repair or replace error-detected parts.

Special Repair Requirement

INFOID:000000005173773

1. ADJUSTMENT OF STEERING ANGLE SENSOR NEUTRAL POSITION

Always perform the neutral position adjustment for the steering angle sensor, when replacing the steering angle sensor or the ABS actuator and electric unit (control unit). Refer to [BRC-9. "ADJUSTMENT OF STEERING ANGLE SENSOR NEUTRAL POSITION : Description"](#).

>> END

C1145, C1146 YAW RATE/SIDE G SENSOR

< DTC/CIRCUIT DIAGNOSIS >

[VDC/TCS/ABS]

C1145, C1146 YAW RATE/SIDE G SENSOR

Description

INFOID:000000005173774

The yaw rate/side G sensor detects the yaw rate/side G affecting the vehicle, and transmits the data to the ABS actuator and electric unit (control unit) as an analog voltage signal.

DTC Logic

INFOID:000000005173775

DTC DETECTION LOGIC

DTC	Display item	Malfunction detected condition	Possible cause
C1145	YAW RATE SENSOR	Yaw rate sensor is malfunctioning, or the yaw rate sensor signal line is open or shorted.	<ul style="list-style-type: none"> • Harness or connector • ABS actuator and electric unit (control unit) • Yaw rate/side G sensor
C1146	SIDE G-SEN CIRCUIT	Side G sensor is malfunctioning, or circuit of side G sensor is open or shorted.	

DTC CONFIRMATION PROCEDURE

1. DTC REPRODUCTION PROCEDURE

1. Turn the ignition switch ON.
2. Perform self-diagnosis for "ABS" with CONSULT-III.

Is DTC "C1145" or "C1146" detected?

- YES >> Proceed to diagnosis procedure. Refer to [BRC-63, "Diagnosis Procedure"](#).
 NO >> INSPECTION END

Diagnosis Procedure

INFOID:000000005173776

CAUTION:

- Sudden turns (such as spin turns, acceleration turns), drifting, etc., when VDC function is off (VDC OFF switch "ON") may cause yaw rate/side G sensor system to indicate a malfunction. However, this is not a malfunction, if normal operation can be resumed after restarting engine. Then erase memory of self-diagnosis.
- If vehicle is on turn-table at entrance to parking garage, or on other moving surface, VDC OFF indicator lamp may illuminate and CONSULT-III self-diagnosis may indicate yaw rate sensor system malfunction. However, in this case there is no malfunction in yaw rate sensor system. Take vehicle off of turn-table or other moving surface, and start the engine. Results will return to normal.

1. CHECK CONNECTOR

1. Turn the ignition switch OFF.
2. Disconnect ABS actuator and electric unit (control unit) connector.
3. Disconnect yaw rate/side G sensor connector.
4. Check terminal for deformation, disconnection, looseness, etc.

Is the inspection result normal?

- YES >> GO TO 2.
 NO >> Repair or replace error-detected parts.

2. CHECK YAW RATE/SIDE G SENSOR POWER SUPPLY

1. Check the voltage between yaw rate/side G sensor harness connector and ground.

Yaw rate/side G sensor		—	Condition	Voltage
Connector	Terminal			
M143	4	Ground	Ignition switch: OFF	Approx. 0 V

2. Turn the ignition switch ON.

CAUTION:

Never start the engine.

3. Check the voltage between yaw rate/side G sensor harness connector and ground.

C1145, C1146 YAW RATE/SIDE G SENSOR

< DTC/CIRCUIT DIAGNOSIS >

[VDC/TCS/ABS]

Yaw rate/side G sensor		—	Condition	Voltage
Connector	Terminal			
M143	4	Ground	Ignition switch: ON	Battery voltage

Is the inspection result normal?

- YES >> GO TO 4.
- NO >> GO TO 3.

3.CHECK YAW RATE/SIDE G SENSOR POWER SUPPLY CIRCUIT

1. Turn the ignition switch OFF.
2. Check 10 A fusible link (45).
3. Disconnect IPDM E/R harness connector.
4. Check the continuity between ABS actuator and electric unit (control unit) harness connector and IPDM E/R harness connector.

Yaw rate/side G sensor		IPDM E/R		Continuity
Connector	Terminal	Connector	Terminal	
M143	4	E5	25	Existed

Is the inspection result normal?

- YES >> Perform the trouble diagnosis for ignition power supply circuit. Refer to [PG-69, "Wiring Diagram - IGNITION POWER SUPPLY -"](#).
- NO >> Repair or replace error-detected parts.

4.CHECK YAW RATE/SIDE G SENSOR GROUND

Check the continuity between yaw rate/side G sensor harness connector and ground.

Yaw rate/side G sensor		—	Continuity
Connector	Terminal		
M143	1	Ground	Existed

Is the inspection result normal?

- YES >> GO TO 5.
- NO >> Repair or replace error-detected parts.

5.CHECK YAW RATE/SIDE G SENSOR HARNESS

Check the continuity between yaw rate/side G sensor harness connector and ABS actuator and electric unit (control unit) harness connector.

ABS actuator and electric unit (control unit)		Yaw rate/side G sensor		Continuity
Connector	Terminal	Connector	Terminal	
E41	25	M143	2	Existed
	45		3	

Is the inspection result normal?

- YES >> GO TO 6.
- NO >> Repair or replace error-detected parts. Refer to [BRC-104, "Precautions for Harness Repair"](#).

6.REPLACE YAW RATE/SIDE G SENSOR

1. Replace yaw rate/side G sensor.
2. Erase self-diagnosis results for "ABS" with CONSULT-III.
3. Turn the ignition switch OFF.
4. Turn the ignition switch ON.

CAUTION:

Never start the engine.

5. Perform self-diagnosis for "ABS" with CONSULT-III.

Is DTC "C1145" or "C1146" detected?

C1145, C1146 YAW RATE/SIDE G SENSOR

< DTC/CIRCUIT DIAGNOSIS >

[VDC/TCS/ABS]

YES >> Replace ABS actuator and electric unit (control unit).
NO >> INSPECTION END

A

Special Repair Requirement

INFOID:000000005173777

1. ADJUSTMENT OF STEERING ANGLE SENSOR NEUTRAL POSITION

B

Always perform the neutral position adjustment for the steering angle sensor, when replacing the ABS actuator and electric unit (control unit). Refer to [BRC-9, "ADJUSTMENT OF STEERING ANGLE SENSOR NEUTRAL POSITION : Description"](#).

C

>> END

D

E

BRC

G

H

I

J

K

L

M

N

O

P

C1147, C1148, C1149, C1150 USV/HSV LINE

< DTC/CIRCUIT DIAGNOSIS >

[VDC/TCS/ABS]

C1147, C1148, C1149, C1150 USV/HSV LINE

Description

INFOID:000000005173778

USV1, USV2 (CUT VALVE)

The cut valve shuts off the normal brake fluid path from the master cylinder, when VDC/TCS is activated.

HSV1, HSV2 (SUCTION VALVE)

The suction valve supplies the brake fluid from the master cylinder to the pump, when VDC/TCS is activated.

DTC Logic

INFOID:000000005173779

DTC DETECTION LOGIC

DTC	Display item	Malfunction detected condition	Possible cause
C1147	USV LINE[FL-RR]	VDC switch-over solenoid valve (USV1) on the primary side is open circuit or shorted, or the control line is open or shorted to the power supply or the ground.	<ul style="list-style-type: none">• Harness or connector• ABS actuator and electric unit (control unit)
C1148	USV LINE[FR-RL]	VDC switch-over solenoid valve (USV2) on the primary side is open circuit or shorted, or the control line is open or shorted to the power supply or the ground.	
C1149	HSV LINE[FL-RR]	VDC switch-over solenoid valve (HSV1) on the primary side is open circuit or shorted, or the control line is open or shorted to the power supply or the ground.	
C1150	HSV LINE[FR-RL]	VDC switch-over solenoid valve (HSV2) on the primary side is open circuit or shorted, or the control line is open or shorted to the power supply or the ground.	

DTC CONFIRMATION PROCEDURE

1. DTC REPRODUCTION PROCEDURE

1. Turn the ignition switch ON.
2. Perform self-diagnosis for "ABS" with CONSULT-III.

Is DTC "C1147", "C1148", "C1149" or "C1150" detected?

- YES >> Proceed to diagnosis procedure. Refer to [BRC-66, "Diagnosis Procedure"](#).
NO >> INSPECTION END

Diagnosis Procedure

INFOID:000000005173780

1. CHECK CONNECTOR

1. Turn the ignition switch OFF.
2. Disconnect ABS actuator and electric unit (control unit) connector.
3. Check terminal for deformation, disconnection, looseness, etc.

Is the inspection result normal?

- YES >> GO TO 2.
NO >> Repair or replace error-detected parts.

2. CHECK SOLENOID, VDC SWITCH-OVER VALVE AND ACTUATOR RELAY POWER SUPPLY CIRCUIT

Check the voltage between ABS actuator and electric unit (control unit) harness connector and ground.

ABS actuator and electric unit (control unit)		—	Voltage
Connector	Terminal		
E41	3	Ground	Battery voltage

Is the inspection result normal?

- YES >> GO TO 3.
NO >> Repair or replace error-detected parts.

C1147, C1148, C1149, C1150 USV/HSV LINE

< DTC/CIRCUIT DIAGNOSIS >

[VDC/TCS/ABS]

3. CHECK SOLENOID, VDC SWITCH-OVER VALVE AND ACTUATOR RELAY GROUND CIRCUIT

Check the continuity between ABS actuator and electric unit (control unit) harness connector and ground.

ABS actuator and electric unit (control unit)		—	Continuity
Connector	Terminal		
E41	1	Ground	Existed
	4		

Is the inspection result normal?

YES >> Replace ABS actuator and electric unit (control unit).

NO >> Repair or replace error-detected parts.

Special Repair Requirement

INFOID:000000005173781

1. ADJUSTMENT OF STEERING ANGLE SENSOR NEUTRAL POSITION

Always perform the neutral position adjustment for the steering angle sensor, when replacing the ABS actuator and electric unit (control unit). Refer to [BRC-9. "ADJUSTMENT OF STEERING ANGLE SENSOR NEUTRAL POSITION : Description"](#).

>> END

A
B
C
D
E
BRC
G
H
I
J
K
L
M
N
O
P

C1154 TRANSMISSION RANGE SWITCH

< DTC/CIRCUIT DIAGNOSIS >

[VDC/TCS/ABS]

C1154 TRANSMISSION RANGE SWITCH

Description

INFOID:000000005173782

The ABS actuator and electric unit (control unit) and TCM exchange signals via the CAN communication line.

DTC Logic

INFOID:000000005173783

DTC DETECTION LOGIC

DTC	Display item	Malfunction detected condition	Possible cause
C1154	PNP POSI SIG	TCM internal malfunction or ABS actuator and electric unit (control unit) internal malfunction.	<ul style="list-style-type: none">• Harness or connector• ABS actuator and electric unit (control unit)• TCM

DTC CONFIRMATION PROCEDURE

1. DTC REPRODUCTION PROCEDURE

1. Turn the ignition switch ON.
2. Perform self-diagnosis for "ABS" with CONSULT-III.

Is DTC "C1154" detected?

- YES >> Proceed to diagnosis procedure. Refer to [BRC-68, "Diagnosis Procedure"](#).
NO >> INSPECTION END

Diagnosis Procedure

INFOID:000000005173784

1. CHECK CONNECTOR

1. Turn the ignition switch OFF.
2. Disconnect ABS actuator and electric unit (control unit) connector.
3. Check terminal for deformation, disconnection, looseness, etc.

Is the inspection result normal?

- YES >> GO TO 2.
NO >> Replace or repair damaged parts.

2. CHECK TCM

Perform self-diagnosis for "TRANSMISSION" with CONSULT-III.

Is the inspection result normal?

- YES >> GO TO 3.
NO >> Repair or replace error-detected parts.

3. CHECK ABS ACTUATOR AND ELECTRIC UNIT (CONTROL UNIT)

Perform self-diagnosis for "ABS" with CONSULT-III.

Is the inspection result normal?

- YES >> INSPECTION END
NO >> Repair or replace error-detected parts.

Special Repair Requirement

INFOID:000000005173785

1. ADJUSTMENT OF STEERING ANGLE SENSOR NEUTRAL POSITION

Always perform the neutral position adjustment for the steering angle sensor, when replacing the ABS actuator and electric unit (control unit). Refer to [BRC-9, "ADJUSTMENT OF STEERING ANGLE SENSOR NEUTRAL POSITION : Description"](#).

>> END

C1155 BRAKE FLUID LEVEL SWITCH

< DTC/CIRCUIT DIAGNOSIS >

[VDC/TCS/ABS]

C1155 BRAKE FLUID LEVEL SWITCH

Description

INFOID:000000005173786

The brake fluid level switch converts the brake fluid level to an electric signal and transmits it to the ABS actuator and electric unit (control unit).

DTC Logic

INFOID:000000005173787

DTC DETECTION LOGIC

DTC	Display item	Malfunction detected condition	Possible cause
C1155	BR FLUID LEVEL LOW	Brake fluid level is low or communication line between the ABS actuator and electric unit (control unit) and brake fluid level switch is open or shorted.	<ul style="list-style-type: none"> • Harness or connector • Brake fluid level switch • Unified meter and A/C amp.

DTC CONFIRMATION PROCEDURE

1. DTC REPRODUCTION PROCEDURE

1. Turn the ignition switch ON.
2. Perform self-diagnosis for "ABS" with CONSULT-III.

Is DTC "C1155" detected?

- YES >> Proceed to diagnosis procedure. Refer to [BRC-69. "Diagnosis Procedure"](#).
 NO >> INSPECTION END

Diagnosis Procedure

INFOID:000000005173788

1. CHECK BRAKE FLUID LEVEL

Check the brake fluid level. Refer to [BR-10. "Inspection"](#).

Is the inspection result normal?

- YES >> GO TO 2.
 NO >> Refill the brake fluid. Refer to [BR-10. "Refilling"](#).

2. CHECK CONNECTOR

1. Turn the ignition switch OFF.
2. Disconnect brake fluid level switch connector.
3. Disconnect unified meter and A/C amp. connector.
4. Check terminal for deformation, disconnection, looseness, etc.

Is the inspection result normal?

- YES >> GO TO 3.
 NO >> Repair or replace error-detected parts.

3. CHECK BRAKE FLUID LEVEL SWITCH

Check brake fluid level switch. Refer to [BRC-70. "Component Inspection"](#).

Is the inspection result normal?

- YES >> GO TO 4.
 NO >> Brake fluid level switch is malfunction. Replace reservoir tank.

4. CHECK BRAKE FLUID LEVEL SWITCH CIRCUIT

1. Check the continuity between brake fluid level switch harness connector and unified meter and A/C amp. harness connector.

Unified meter and A/C amp.		Brake fluid level switch		Continuity
Connector	Terminal	Connector	Terminal	
M67	57	E47	1	Existed

2. Check the continuity between brake fluid level switch harness connector and ground.

C1155 BRAKE FLUID LEVEL SWITCH

< DTC/CIRCUIT DIAGNOSIS >

[VDC/TCS/ABS]

Brake fluid level switch		—	Continuity
Connector	Terminal		
E47	2	Ground	Existed

3. Check the continuity between unified meter and A/C amp. harness connector and ground.

Unified meter and A/C amp.		—	Continuity
Connector	Terminal		
M67	57	Ground	Not existed

Is the inspection result normal?

- YES >> Replace unified meter and A/C amp.
- NO >> Repair or replace error-detected parts.

Component Inspection

INFOID:000000005173789

1. CHECK BRAKE FLUID LEVEL SWITCH

1. Turn the ignition switch OFF.
2. Disconnect brake fluid level switch connector.
3. Check the continuity between brake fluid level switch connector terminals.

Brake fluid level switch	Condition	Continuity
Terminal		
1 – 2	When brake fluid is full in the reservoir tank.	Not existed
	When brake fluid is empty in the reservoir tank.	Existed

Is the inspection result normal?

- YES >> INSPECTION END
- NO >> Replace reservoir tank. Refer to [BR-25. "Exploded View"](#).

Special Repair Requirement

INFOID:000000005173790

1. ADJUSTMENT OF STEERING ANGLE SENSOR NEUTRAL POSITION

Always perform the neutral position adjustment for the steering angle sensor, when replacing the ABS actuator and electric unit (control unit). Refer to [BRC-9. "ADJUSTMENT OF STEERING ANGLE SENSOR NEUTRAL POSITION : Description"](#).

>> END

C1185 ICC UNIT

Description

INFOID:000000005173791

The ABS actuator and electric unit (control unit) and the ICC sensor integrated unit exchange signals via the CAN communication line.

DTC Logic

INFOID:000000005173792

DTC DETECTION LOGIC

DTC	Display item	Malfunction detected condition	Possible cause
C1185	ACC CONT	ICC sensor integrated unit internal malfunction.	<ul style="list-style-type: none"> • Harness or connector • ICC sensor integrated unit • ABS actuator and electric unit (control unit) • CAN communication line

DTC CONFIRMATION PROCEDURE

1. DTC REPRODUCTION PROCEDURE

1. Turn the ignition switch ON.
2. Perform self-diagnosis for "ABS" with CONSULT-III.

Is DTC "C1185" detected?

- YES >> Proceed to diagnosis procedure. Refer to [BRC-71, "Diagnosis Procedure"](#).
- NO >> INSPECTION END

Diagnosis Procedure

INFOID:000000005173793

1. CHECK ICC SENSOR INTEGRATED UNIT CIRCUIT

Perform self-diagnosis for "ICC" with CONSULT-III.

Is any item indicated on the self-diagnosis display?

- YES >> Repair or replace error-detected parts.
- NO >> GO TO 2.

2. CHECK ABS ACTUATOR AND ELECTRIC UNIT (CONTROL UNIT)

Perform self-diagnosis for "ABS" with CONSULT-III.

Is any item indicated on the self-diagnosis display?

- YES >> Repair or replace error-detected parts.
- NO >> INSPECTION END

Special Repair Requirement

INFOID:000000005173794

1. ADJUSTMENT OF STEERING ANGLE SENSOR NEUTRAL POSITION

Always perform the neutral position adjustment for the steering angle sensor, when replacing the ABS actuator and electric unit (control unit). Refer to [BRC-9, "ADJUSTMENT OF STEERING ANGLE SENSOR NEUTRAL POSITION : Description"](#).

>> END

U1000, U1002 CAN COMM CIRCUIT

< DTC/CIRCUIT DIAGNOSIS >

[VDC/TCS/ABS]

U1000, U1002 CAN COMM CIRCUIT

Description

INFOID:000000005173795

CAN (Controller Area Network) is a serial communication line for real time application. It is an on-vehicle multiplex communication line with high data communication speed and excellent error detection ability. Many electronic control units are equipped onto a vehicle, and each control unit shares information and links with other control units during operation (not independent). In CAN communication, control units are connected with 2 communication lines (CAN-H line, CAN-L line) allowing a high rate of information transmission with less wiring. Each control unit transmits/receives data but selectively reads required data only.

DTC Logic

INFOID:000000005173796

DTC DETECTION LOGIC

DTC	Display item	Malfunction detected condition	Possible cause
U1000	CAN COMM CIRCUIT	When ABS actuator and electric unit (control unit) is not transmitting or receiving CAN communication signal for 2 seconds or more.	<ul style="list-style-type: none">• CAN communication line• ABS actuator and electric unit (control unit)
U1002	SYSTEM COOM	When ABS actuator and electric unit (control unit) is not transmitting or receiving CAN communication signal for 2seconds or less.	

DTC CONFIRMATION PROCEDURE

1. DTC REPRODUCTION PROCEDURE

1. Turn the ignition switch ON.
2. Perform self-diagnosis for "ABS" with CONSULT-III.

Is DTC "U1000" or "U1002" detected?

- YES >> Proceed to diagnosis procedure. Refer to [BRC-72, "Diagnosis Procedure"](#).
NO >> INSPECTION END

Diagnosis Procedure

INFOID:000000005173797

1. PERFORM ABS ACTUATOR AND ELECTRIC UNIT (CONTROL UNIT)

Perform self-diagnosis for "ABS" with CONSULT-III.

Is DTC "U1000" or "U1002" detected?

- YES >> Proceed to diagnosis procedure. Refer to [LAN-18, "Trouble Diagnosis Flow Chart"](#).
NO >> INSPECTION END

Special Repair Requirement

INFOID:000000005173798

1. ADJUSTMENT OF STEERING ANGLE SENSOR NEUTRAL POSITION

Always perform the neutral position adjustment for the steering angle sensor, when replacing the ABS actuator and electric unit (control unit). Refer to [BRC-9, "ADJUSTMENT OF STEERING ANGLE SENSOR NEUTRAL POSITION : Description"](#).

>> END

U1100 CAN COMM CIRCUIT (ICC UNIT)

< DTC/CIRCUIT DIAGNOSIS >

[VDC/TCS/ABS]

U1100 CAN COMM CIRCUIT (ICC UNIT)

Description

INFOID:000000005173799

The ABS actuator and electric unit (control unit) and the ICC sensor integrated unit exchange signals via the CAN communication line.

DTC Logic

INFOID:000000005173800

DTC DETECTION LOGIC

DTC	Display item	Malfunction detected condition	Possible cause
U1100	ACC COMM CIRCUIT	When there is a malfunction in the CAN communication circuit or ICC sensor integrated unit.	<ul style="list-style-type: none">CAN communication lineABS actuator and electric unit (control unit)ICC integrated unit

DTC CONFIRMATION PROCEDURE

1. DTC REPRODUCTION PROCEDURE

1. Turn the ignition switch ON.
2. Perform self-diagnosis for "ABS" with CONSULT-III.

Is DTC "U1100" detected?

- YES >> Proceed to diagnosis procedure. Refer to [BRC-73. "Diagnosis Procedure"](#).
NO >> INSPECTION END

Diagnosis Procedure

INFOID:000000005173801

1. CHECK CAN COMMUNICATION LINE

Check CAN communication line. Refer to [BRC-72. "Diagnosis Procedure"](#).

Is the inspection result normal?

- YES >> GO TO 2.
NO >> Repair or replace error-detected parts.

2. CHECK ICC INTEGRATED UNIT

Perform self-diagnosis for "ICC" with CONSULT-III.

Is the inspection result normal?

- YES >> ABS actuator and electric unit (control unit).
NO >> Repair or replace error-detected parts.

Special Repair Requirement

INFOID:000000005173802

1. ADJUSTMENT OF STEERING ANGLE SENSOR NEUTRAL POSITION

Always perform the neutral position adjustment for the steering angle sensor, when replacing the ABS actuator and electric unit (control unit). Refer to [BRC-9. "ADJUSTMENT OF STEERING ANGLE SENSOR NEUTRAL POSITION : Description"](#).

>> END

POWER SUPPLY AND GROUND CIRCUIT

< DTC/CIRCUIT DIAGNOSIS >

[VDC/TCS/ABS]

POWER SUPPLY AND GROUND CIRCUIT

Description

INFOID:000000005173803

Supplies power to ABS actuator and electric unit (control unit).

Diagnosis Procedure

INFOID:000000005173804

1. CHECK ABS ACTUATOR AND ELECTRIC UNIT (CONTROL UNIT) POWER SUPPLY

1. Turn the ignition switch OFF.
2. Disconnect ABS actuator and electric unit (control unit) harness connector.
3. Check the voltage between ABS actuator and electric unit (control unit) harness connector and ground.

ABS actuator and electric unit (control unit)		—	Condition	Voltage
Connector	Terminal			
E41	28	Ground	Ignition switch: OFF	Approx. 0 V

4. Turn the ignition switch ON.

CAUTION:

Never start the engine.

5. Check the voltage between ABS actuator and electric unit (control unit) harness connector and ground.

ABS actuator and electric unit (control unit)		—	Condition	Voltage
Connector	Terminal			
E41	28	Ground	Ignition switch: ON	Battery voltage

Is the inspection result normal?

YES >> GO TO 3.

NO >> GO TO 2.

2. CHECK ABS ACTUATOR AND ELECTRIC UNIT (CONTROL UNIT) POWER SUPPLY CIRCUIT

1. Turn the ignition switch OFF.
2. Check 10A fusible link (45).
3. Disconnect IPDM E/R harness connector.
4. Check continuity between ABS actuator and electric unit (control unit) harness connector and IPDM E/R harness connector.

ABS actuator and electric unit (control unit)		IPDM E/R		Continuity
Connector	Terminal	Connector	Terminal	
E41	28	E5	25	Existed

Is the inspection result normal?

YES >> Perform the trouble diagnosis for ignition power supply circuit. Refer to [PG-69. "Wiring Diagram - IGNITION POWER SUPPLY -"](#).

NO >> Repair or replace error-detected parts.

3. CHECK ABS ACTUATOR AND ELECTRIC UNIT (CONTROL UNIT) POWER SUPPLY

1. Turn the ignition switch OFF.
2. Check the voltage between ABS actuator and electric unit (control unit) harness connector and ground.

ABS actuator and electric unit (control unit)		—	Voltage
Connector	Terminal		
E41	2	Ground	Battery voltage
	3		

Is the inspection result normal?

YES >> GO TO 4.

POWER SUPPLY AND GROUND CIRCUIT

[VDC/TCS/ABS]

< DTC/CIRCUIT DIAGNOSIS >

NO >> Perform the trouble diagnosis for power supply circuit.

4.CHECK ABS ACTUATOR AND ELECTRIC UNIT (CONTROL UNIT) GROUND

Check the continuity between ABS actuator and electric unit (control unit) harness connector and ground.

ABS actuator and electric unit (control unit)		—	Continuity
Connector	Terminal		
E41	1	Ground	Existed
	4		

Is the inspection result normal?

YES >> INSPECTION END

NO >> Repair or replace error-detected parts.

A
B
C
D
E
G
H
I
J
K
L
M
N
O
P

BRC

PARKING BRAKE SWITCH

< DTC/CIRCUIT DIAGNOSIS >

[VDC/TCS/ABS]

PARKING BRAKE SWITCH

Component Function Check

INFOID:000000005173805

1. CHECK PARKING BRAKE SWITCH OPERATION

Operate the parking brake pedal. Then check that the brake warning lamp in the combination meter turns ON/OFF correctly.

Condition	Brake warning lamp illumination status
When the parking brake pedal is operation	ON
When the parking brake pedal is not operation.	OFF

Is the inspection result normal?

YES >> INSPECTION END

NO >> Proceed to diagnosis procedure. Refer to [BRC-76, "Diagnosis Procedure"](#).

Diagnosis Procedure

INFOID:000000005173806

1. CHECK PARKING BRAKE SWITCH

Check parking brake switch. Refer to [BRC-76, "Component Inspection"](#).

Is the inspection result normal?

YES >> GO TO 2.

NO >> Replace parking brake switch.

2. CHECK COMBINATION METER

Check if the indication and operation of combination meter are normal. Refer to [MWI-38, "Diagnosis Description"](#).

Is the inspection result normal?

YES >> GO TO 3.

NO >> Repair or replace combination meter.

3. CHECK DATA MONITOR

Select "ABS", "DATA MONITOR" and "PARK BRAKE SW" in order with CONSULT-III, and perform the parking brake switch inspection.

Condition	PARK BRAKE SW (DATA MONITOR)
Parking brake switch is active	ON
Parking brake switch is inactive	OFF

Is the inspection result normal?

YES >> INSPECTION END

NO >> Check unified meter and A/C amp. Refer to [MWI-40, "CONSULT-III Function \(METER/M&A\)"](#).

Component Inspection

INFOID:000000005173807

1. CHECK PARKING BRAKE SWITCH

1. Turn the ignition switch OFF.
2. Disconnect parking brake switch connector.
3. Check the continuity between parking brake switch connector and ground.

Parking brake switch		—	Condition	Continuity
Connector	Terminal			
E107	1	Ground	When the parking brake switch is operated.	Existed
			When the parking brake switch is not operated.	Not existed

PARKING BRAKE SWITCH

< DTC/CIRCUIT DIAGNOSIS >

[VDC/TCS/ABS]

Is the inspection result normal?

YES >> INSPECTION END

NO >> Replace parking brake switch.

A

B

C

D

E

BRC

G

H

I

J

K

L

M

N

O

P

VDC OFF SWITCH

< DTC/CIRCUIT DIAGNOSIS >

[VDC/TCS/ABS]

VDC OFF SWITCH

Description

INFOID:000000005173808

VDC OFF switch can deactivate (turn OFF) the VDC/TCS function by pressing the VDC OFF switch.

Component Function Check

INFOID:000000005173809

1.CHECK VDC OFF SWITCH OPERATION

Turn ON/OFF the VDC OFF switch and check that the VDC OFF indicator lamp in the combination meter turns ON/OFF correctly.

Condition	VDC OFF indicator lamp illumination status
Press the VDC OFF switch when VDC OFF indicator lamp is OFF.	ON
Press the VDC OFF switch when VDC OFF indicator lamp is ON.	OFF

Is the inspection result normal?

YES >> INSPECTION END

NO >> Proceed to diagnosis procedure. Refer to [BRC-78. "Diagnosis Procedure"](#).

Diagnosis Procedure

INFOID:000000005173810

1.CHECK VDC OFF SWITCH

Check VDC OFF switch. Refer to [BRC-79. "Component Inspection"](#).

Is the inspection result normal?

YES >> GO TO 2.

NO >> VDC OFF switch is malfunctioning. Replace VDC OFF switch.

2.CHECK VDC OFF SWITCH HARNESS

1. Disconnect ABS actuator and electric unit (control unit) connector.
2. Disconnect VDC OFF switch connector.
3. Check the continuity between VDC OFF switch connector and ABS actuator and electric unit (control unit) connector.

ABS actuator and electric unit (control unit)		VDC OFF switch		Continuity
Connector	Terminal	Connector	Terminal	
E41	31	M19	1	Existed

4. Check the continuity between ABS actuator and electric unit (control unit) harness connector and ground.

ABS actuator and electric unit (control unit)		—	Continuity
Connector	Terminal		
E41	31	Ground	Not existed

5. Check the continuity between VDC OFF switch harness connector and ground.

VDC OFF switch		—	Continuity
Connector	Terminal		
M19	2	Ground	Existed

Is the inspection result normal?

YES >> GO TO 3.

NO >> If the open or short in harness, repair or replace harness.

VDC OFF SWITCH

< DTC/CIRCUIT DIAGNOSIS >

[VDC/TCS/ABS]

3.CHECK COMBINATION METER

1. Connect ABS actuator and electric unit (control unit) connector.
2. Connect VDC OFF switch connector.
3. Check the indication and operation of combination meter are normal. Refer to [MWI-38. "Diagnosis Description"](#).

Is the inspection result normal?

YES >> INSPECTION END

NO >> Repair or replace combination meter.

Component Inspection

INFOID:000000005173811

1.CHECK VDC OFF SWITCH

1. Turn the ignition switch OFF.
2. Disconnect VDC OFF switch connector.
3. Check the continuity between VDC OFF switch connector terminals.

VDC OFF switch	Condition	Continuity
Terminal		
1 - 2	When VDC OFF switch is hold pressed.	Existed
	When releasing VDC OFF switch.	Not existed

Is the inspection result normal?

YES >> INSPECTION END

NO >> Replace VDC OFF switch.

A
B
C
D
E
G
H
I
J
K
L
M
N
O
P

BRC

ABS WARNING LAMP

< DTC/CIRCUIT DIAGNOSIS >

[VDC/TCS/ABS]

ABS WARNING LAMP

Description

INFOID:000000005173812

×: ON –: OFF

Condition	ABS warning lamp
Ignition switch OFF	–
For 1 second after turning ignition switch ON	×
1 second later after turning ignition switch ON	–
ABS function is malfunctioning.	×
EBD function is malfunctioning.	×

Component Function Check

INFOID:000000005173813

1.CHECK ABS WARNING LAMP OPERATION

Check that the lamp illuminates for approximately 1 second after the ignition switch is turned ON.

Is the inspection result normal?

YES >> INSPECTION END

NO >> Proceed to diagnosis procedure. Refer to [BRC-80, "Diagnosis Procedure"](#).

Diagnosis Procedure

INFOID:000000005173814

1.CHECK SELF-DIAGNOSIS

Perform self-diagnosis for "ABS" with CONSULT-III.

Is the inspection result normal?

YES >> GO TO 2.

NO >> Check items displayed by self-diagnosis.

2.CHECK COMBINATION METER

Check if the indication and operation of combination meter are normal. Refer to [MWI-38, "Diagnosis Description"](#).

Is the inspection result normal?

YES >> Replace ABS actuator and electric unit (control unit).

NO >> Repair or replace combination meter.

BRAKE WARNING LAMP

< DTC/CIRCUIT DIAGNOSIS >

[VDC/TCS/ABS]

BRAKE WARNING LAMP

Description

INFOID:000000005173815

×: ON –: OFF

Condition	Brake warning lamp (Note 1)
Ignition switch OFF	–
For 1 second after turning ignition switch ON	× (Note 2)
1 second later after turning ignition switch ON	× (Note 2)
EBD function is malfunctioning.	×

NOTE:

- 1: Brake warning lamp will turn on in case of parking brake operation (when switch is ON) or of brake fluid level switch operation (when brake fluid is insufficient).
- 2: After starting the engine, brake warning lamp is turned off.

Component Function Check

INFOID:000000005173816

BRC

1. BRAKE WARNING LAMP OPERATION CHECK 1

Check that the lamp illuminates for approximately 1 second after the ignition switch is turned ON.

Is the inspection result normal?

YES >> GO TO 2.

NO >> Proceed to diagnosis procedure. Refer to [BRC-81, "Diagnosis Procedure"](#).

2. BRAKE WARNING LAMP OPERATION CHECK 2

Check that the brake warning lamp in the combination meter turns ON/OFF correctly when operating the parking brake pedal.

Is the inspection result normal?

YES >> INSPECTION END

NO >> Check parking brake switch. Refer to [BRC-76, "Diagnosis Procedure"](#).

Diagnosis Procedure

INFOID:000000005173817

1. CHECK PARKING BRAKE SWITCH

Check that the brake warning lamp in the combination meter turns ON/OFF correctly when operating the parking brake pedal.

Is the inspection result normal?

YES >> GO TO 2.

NO >> Check parking brake switch. Refer to [BRC-76, "Diagnosis Procedure"](#).

2. CHECK SELF-DIAGNOSIS

Perform self-diagnosis for "ABS" with CONSULT-III.

Is the inspection result normal?

YES >> GO TO 3.

NO >> Check items displayed by self-diagnosis.

3. CHECK COMBINATION METER

Check if the indication and operation of combination meter are normal. Refer to [MWI-38, "Diagnosis Description"](#).

Is the inspection result normal?

YES >> Replace ABS actuator and electric unit (control unit).

NO >> Repair or replace combination meter.

VDC OFF INDICATOR LAMP

< DTC/CIRCUIT DIAGNOSIS >

[VDC/TCS/ABS]

VDC OFF INDICATOR LAMP

Description

INFOID:000000005173818

×: ON –: OFF

Condition	VDC OFF indicator lamp
Ignition switch OFF	–
For 1 second after turning ignition switch ON	×
1 second later after turning ignition switch ON	–
VDC OFF switch turned ON. (VDC function is OFF.)	×
VDC/TCS function is malfunctioning.	×
ABS function is malfunctioning.	×
EBD function is malfunctioning.	×

Component Function Check

INFOID:000000005173819

1.VDC OFF INDICATOR LAMP OPERATION CHECK 1

Check that the lamp illuminates for approximately 1 second after the ignition switch is turned ON.

Is the inspection result normal?

YES >> GO TO 2.

NO >> Proceed to diagnosis procedure. Refer to [BRC-82. "Diagnosis Procedure"](#).

2.VDC OFF INDICATOR LAMP OPERATION CHECK 2

Check that the VDC OFF indicator lamp in the combination meter turns ON/OFF correctly when operating the VDC OFF switch.

Is the inspection result normal?

YES >> INSPECTION END

NO >> Check VDC OFF switch. Refer to [BRC-78. "Diagnosis Procedure"](#).

Diagnosis Procedure

INFOID:000000005173820

1.CHECK VDC OFF SWITCH

Perform the trouble diagnosis for VDC OFF switch. Refer to [BRC-78. "Diagnosis Procedure"](#).

Is the inspection result normal?

YES >> GO TO 2.

NO >> Check VDC OFF switch. Refer to [BRC-78. "Diagnosis Procedure"](#).

2.CHECK SELF-DIAGNOSIS

Perform self-diagnosis for "ABS" with CONSULT-III.

Is the inspection result normal?

YES >> GO TO 3.

NO >> Check items displayed by self-diagnosis.

3.CHECK COMBINATION METER

Check if the indication and operation of combination meter are normal. Refer to [MWI-38. "Diagnosis Description"](#).

Is the inspection result normal?

YES >> Replace ABS actuator and electric unit (control unit).

NO >> Repair or replace combination meter.

SLIP INDICATOR LAMP

< DTC/CIRCUIT DIAGNOSIS >

[VDC/TCS/ABS]

SLIP INDICATOR LAMP

Description

INFOID:000000005173821

×: ON △: Blink -: OFF

Condition	SLIP indicator lamp
Ignition switch OFF	-
For 1 second after turning ignition switch ON	×
1 second later after turning ignition switch ON	-
VDC/TCS is activated while driving	△
VDC/TCS function is malfunctioning.	×
ABS function is malfunctioning.	×
EBD function is malfunctioning.	×

Component Function Check

INFOID:000000005173822

1. CHECK SLIP INDICATOR LAMP OPERATION

Check that the lamp illuminates for approximately 1 second after the ignition switch is turned ON.

Is the inspection result normal?

YES >> INSPECTION END

NO >> Proceed to diagnosis procedure. Refer to [BRC-83, "Diagnosis Procedure"](#).

Diagnosis Procedure

INFOID:000000005173823

1. CHECK SELF-DIAGNOSIS

Perform self-diagnosis for "ABS" with CONSULT-III.

Is the inspection result normal?

YES >> GO TO 2.

NO >> Check items displayed by self-diagnosis.

2. CHECK COMBINATION METER

Check if the indication and operation of combination meter are normal. Refer to [MWI-38, "Diagnosis Description"](#).

Is the inspection result normal?

YES >> Replace ABS actuator and electric unit (control unit).

NO >> Repair or replace combination meter.

A
B
C
D
E
BRC
G
H
I
J
K
L
M
N
O
P

ABS ACTUATOR AND ELECTRIC UNIT (CONTROL UNIT)

< ECU DIAGNOSIS INFORMATION >

[VDC/TCS/ABS]

ECU DIAGNOSIS INFORMATION

ABS ACTUATOR AND ELECTRIC UNIT (CONTROL UNIT)

Reference Value

INFOID:000000005173824

VALUES ON THE DIAGNOSIS TOOL

CAUTION:

The display shows the control unit calculation data, so a normal value might be displayed even in the event the output circuit (harness) is open or short-circuited.

Monitor item	Display content	Data monitor	
		Condition	Reference value in normal operation
FR LH SENSOR	Wheel speed	Vehicle stopped	0 [km/h (MPH)]
		Vehicle running (Note 1)	Nearly matches the speedometer display ($\pm 10\%$ or less)
FR RH SENSOR	Wheel speed	Vehicle stopped	0 [km/h (MPH)]
		Vehicle running (Note 1)	Nearly matches the speedometer display ($\pm 10\%$ or less)
RR LH SENSOR	Wheel speed	Vehicle stopped	0 [km/h (MPH)]
		Vehicle running (Note 1)	Nearly matches the speedometer display ($\pm 10\%$ or less)
RR RH SENSOR	Wheel speed	Vehicle stopped	0 [km/h (MPH)]
		Vehicle running (Note 1)	Nearly matches the speedometer display ($\pm 10\%$ or less)
STOP LAMP SW	Stop lamp switch signal status	When brake pedal is depressed	On
		When brake pedal is not depressed	Off
BATTERY VOLT	Battery voltage supplied to the ABS actuator and electric unit (control unit)	Ignition switch ON	10 – 16 V
GEAR	Gear position determined by TCM	First gear (1GR)	1
		Second gear (2GR)	2
		Third gear (3GR)	3
		Forth gear (4GR)	4
		Fifth gear (5GR)	5
SLCT LVR POSI	A/T selector lever position	P position	P
		R position	R
		N position	N
		D position	D
YAW RATE SEN	Yaw rate detected by yaw rate/side G sensor	Vehicle stopped	Approx. 0 d/s
		Vehicle turning right	Negative value
		Vehicle turning left	Positive value
ACCEL POS SIG	Throttle actuator opening/closing is displayed (linked with accelerator pedal)	Accelerator pedal not depressed (ignition switch is ON)	0 %
		Depress accelerator pedal (ignition switch is ON)	0 - 100 %
SIDE G-SENSOR	Transverse G detected by side G sensor	Vehicle stopped	Approx. 0 m/s ²
		Vehicle turning right	Negative value
		Vehicle turning left	Positive value

ABS ACTUATOR AND ELECTRIC UNIT (CONTROL UNIT)

< ECU DIAGNOSIS INFORMATION >

[VDC/TCS/ABS]

Monitor item	Display content	Data monitor	
		Condition	Reference value in normal operation
STR ANGLE SIG	Steering angle detected by steering angle sensor	Driving straight	±2.5°
		Turn 90° to right	Approx. +90°
		Turn 90° to left	Approx. -90°
PRESS SENSOR	Brake fluid pressure detected by pressure sensor	With ignition switch turned ON and brake pedal released	Approx. 0 bar
		With ignition switch turned ON and brake pedal depressed	-40 to 300 bar
ENGINE RPM	With engine running	With engine stopped	0 rpm
		Engine running	Almost in accordance with tachometer display
FLUID LEV SW	Brake fluid level switch signal status	When brake fluid level switch ON	On
		When brake fluid level switch OFF	Off
PARK BRAKE SW	Parking brake switch signal status	Parking brake switch is active	On
		Parking brake switch is inactive	Off
FR RH IN SOL	Operation status of each solenoid valve	Actuator (solenoid valve) is active ("ACTIVE TEST" in "ABS" with CONSULT-III)	On
		When the actuator (solenoid valve) is not active and actuator relay is active (ignition switch ON)	Off
FR RH OUT SOL	Operation status of each solenoid valve	Actuator (solenoid valve) is active ("ACTIVE TEST" in "ABS" with CONSULT-III)	On
		When the actuator (solenoid valve) is not active and actuator relay is active (ignition switch ON)	Off
FR LH IN SOL	Operation status of each solenoid valve	Actuator (solenoid valve) is active ("ACTIVE TEST" in "ABS" with CONSULT-III)	On
		When the actuator (solenoid valve) is not active and actuator relay is active (ignition switch ON)	Off
FR LH OUT SOL	Operation status of each solenoid valve	Actuator (solenoid valve) is active ("ACTIVE TEST" in "ABS" with CONSULT-III)	On
		When the actuator (solenoid valve) is not active and actuator relay is active (ignition switch ON)	Off
RR RH IN SOL	Operation status of each solenoid valve	Actuator (solenoid valve) is active ("ACTIVE TEST" in "ABS" with CONSULT-III)	On
		When the actuator (solenoid valve) is not active and actuator relay is active (ignition switch ON)	Off
RR RH OUT SOL	Operation status of each solenoid valve	Actuator (solenoid valve) is active ("ACTIVE TEST" in "ABS" with CONSULT-III)	On
		When the actuator (solenoid valve) is not active and actuator relay is active (ignition switch ON)	Off
RR LH IN SOL	Operation status of each solenoid valve	Actuator (solenoid valve) is active ("ACTIVE TEST" in "ABS" with CONSULT-III)	On
		When the actuator (solenoid valve) is not active and actuator relay is active (ignition switch ON)	Off

A
B
C
D
E
G
H
I
J
K
L
M
N
O
P

BRC

ABS ACTUATOR AND ELECTRIC UNIT (CONTROL UNIT)

< ECU DIAGNOSIS INFORMATION >

[VDC/TCS/ABS]

Monitor item	Display content	Data monitor	
		Condition	Reference value in normal operation
RR LH OUT SOL	Operation status of each solenoid valve	Actuator (solenoid valve) is active ("ACTIVE TEST" in "ABS" with CONSULT-III)	On
		When the actuator (solenoid valve) is not active and actuator relay is active (ignition switch ON)	Off
MOTOR RELAY	Motor and motor relay operation	When the motor relay and motor are operating	On
		When the motor relay and motor are not operating	Off
ACTUATOR RLY (Note 2)	Actuator relay operation	When the actuator relay is operating	On
		When the actuator relay is not operating	Off
ABS WARN LAMP	ABS warning lamp (Note 3)	When ABS warning lamp is ON	On
		When ABS warning lamp is OFF	Off
OFF LAMP	VDC OFF indicator lamp (Note 3)	When VDC OFF indicator lamp is ON	On
		When VDC OFF indicator lamp is OFF	Off
SLIP LAMP	SLIP indicator lamp (Note 3)	When SLIP indicator lamp is ON	On
		When SLIP indicator lamp is OFF	Off
EBD SIGNAL	EBD operation	EBD is active	On
		EBD is inactive	Off
ABS SIGNAL	ABS operation	ABS is active	On
		ABS is inactive	Off
TCS SIGNAL	TCS operation	TCS is active	On
		TCS is inactive	Off
VDC SIGNAL	VDC operation	VDC is active	On
		VDC is inactive	Off
EBD FAIL SIG	EBD fail-safe signal	In EBD fail-safe	On
		EBD is normal	Off
ABS FAIL SIG	ABS fail-safe signal	In ABS fail-safe	On
		ABS is normal	Off
TCS FAIL SIG	TCS fail-safe signal	In TCS fail-safe	On
		TCS is normal	Off
VDC FAIL SIG	VDC fail-safe signal	In VDC fail-safe	On
		VDC is normal	Off
CRANKING SIG	Crank operation	Crank is active	On
		Crank is inactive	Off
USV [FL-RR] (Note 2)	VDC switch-over valve	When actuator (switch-over valve) is active ("ACTIVE TEST" in "ABS" with CONSULT-III)	On
		When actuator (switch-over valve) is not active and actuator relay is active (ignition switch ON)	Off
USV [FR-RL] (Note 2)	VDC switch-over valve	When actuator (switch-over valve) is active ("ACTIVE TEST" in "ABS" with CONSULT-III)	On
		When actuator (switch-over valve) is not active and actuator relay is active (ignition switch ON)	Off

ABS ACTUATOR AND ELECTRIC UNIT (CONTROL UNIT)

< ECU DIAGNOSIS INFORMATION >

[VDC/TCS/ABS]

Monitor item	Display content	Data monitor		
		Condition	Reference value in normal operation	
HSV [FL-RR] (Note 2)	VDC switch-over valve	When actuator (switch-over valve) is active ("ACTIVE TEST" in "ABS" with CONSULT-III)	On	A
		When actuator (switch-over valve) is not active and actuator relay is active (ignition switch ON)	Off	B
HSV [FR-RL] (Note 2)	VDC switch-over valve	When actuator (switch-over valve) is active ("ACTIVE TEST" in "ABS" with CONSULT-III)	On	C
		When actuator (switch-over valve) is not active and actuator relay is active (ignition switch ON)	Off	D
V/R OUTPUT (Note 2)	Solenoid valve relay activated	When the solenoid valve relay is active (When ignition switch OFF)	On	E
		When the solenoid valve relay is not active (in the fail-safe mode)	Off	BRC
M/R OUTPUT	Actuator motor and motor relay activated	When the actuator motor and motor relay are active ("ACTIVE TEST" in "ABS" with CONSULT-III)	On	G
		When the actuator motor and motor relay are inactive	Off	H
LDP) APP SEN (Note 4)	Accelerator pedal position sensor status	Accelerator pedal is not depressed (Ignition switch ON)	0 %	I
		Depress accelerator pedal (Ignition switch ON)	0 - 100 %	
LDP) ICC MAIN SW (Note 4)	ICC main switch	ICC main switch is ON	On	J
		ICC main switch is OFF	Off	
LDP) LDP ON SW (Note 4)	LDP switch	LDP switch is ON	On	K
		LDP switch is OFF	Off	
LDP) WIPER SIGNAL (Note 4)	Front wiper operation	Front wiper is OFF	Stop	L
		Front wiper stops at fail-safe operation	PRTCT	
		Front wiper INT is operating	1low	
		Front wiper LO is operating	Low	
		Front wiper HI is operating	High	M
LDP) BRAKE SW (Note 4)	Brake switch signal status	When brake pedal is not depressed	On	N
		When brake pedal is depressed	Off	
LDP) STOP LMP SW (Note 4)	Stop lamp switch signal status	When brake pedal is depressed	On	O
		When brake pedal is not depressed	Off	
LDP) LDW SW (Note 4)	LDW switch condition	LDW switch is ON (LDW ON indicator is ON)	On	P
		LDW switch is OFF (LDW ON indicator is OFF)	Off	
LDP) SHIFT POSITION (Note 4)	Shift position	Shift position is not received	Off	
		Selector lever position	P/R/N/D	
		When using manual mode	MM 1st – MM 5th	

ABS ACTUATOR AND ELECTRIC UNIT (CONTROL UNIT)

< ECU DIAGNOSIS INFORMATION >

[VDC/TCS/ABS]

Monitor item	Display content	Data monitor	
		Condition	Reference value in normal operation
LDP) TURN SIGNAL (Note 4)	Turn signal operation	Turn signal is OFF.	Off
		Turn signal lamp RH is blinking	LH
		Turn signal lamp LH is blinking	RH
		Turn signal lamp LH and RH are blinking.	LH&RH
LDP) YAW ORDER (Note 4) (Note 5)	Calculated target yaw moment status	LDP is controlling to right side deviation	Negative value
		LDP is controlling to left side deviation	Positive value
LDP) WARN REQ (Note 4) (Note 5)	Lane departure warning request status	Lane departure warning is operating. (When using LDP)	On
		Lane departure warning is not operating.	Off
LDP) WARN CONTROL (Note 4) (Note 5)	Warning main controller status	When using LDP	On
		When using LDW	Off
LDP) REDY SIGNAL (Note 4) (Note 5)	LDP ready status	LDP control is ready	On
		LDP control is not ready	Off
LDP) STATUS SIGNAL (Note 4) (Note 5)	LDP control status	LDP control is standby	STANDBY
		Lane departure warning is operating (When using LDP)	WARN
		LDP control is stopped	MASK
		LDP control is OFF	Off
LDP) CAMERA LOST (Note 4) (Note 5)	Lane marker detected condition	Both side lane markers are detected	Detect
		Deviate side lane marker is lost	Deviate
		Both side lane markers are lost	Both
LDP) LANE UNCLEAR (Note 4) (Note 5)	Lane marker condition	Lane marker is unclear	On
		Lane marker is clear	Off

NOTE:

- 1: Confirm tire pressure is normal.
- 2: A brief moment of On/Off condition occurs every 20 seconds after ignition switch turned ON. This is not malfunction because it is an operation for checking.
- 3: On and off timing for warning lamp and indicator lamp.
 - ABS warning lamp: Refer to [BRC-80, "Description"](#).
 - Brake warning lamp: Refer to [BRC-81, "Description"](#).
 - VDC OFF indicator lamp: Refer to [BRC-82, "Description"](#).
 - SLIP indicator lamp: Refer to [BRC-83, "Description"](#).
- 4: With LDP models.
- 5: The item displayed on "SPECIFIC DATA MONITOR" in "Special Function".

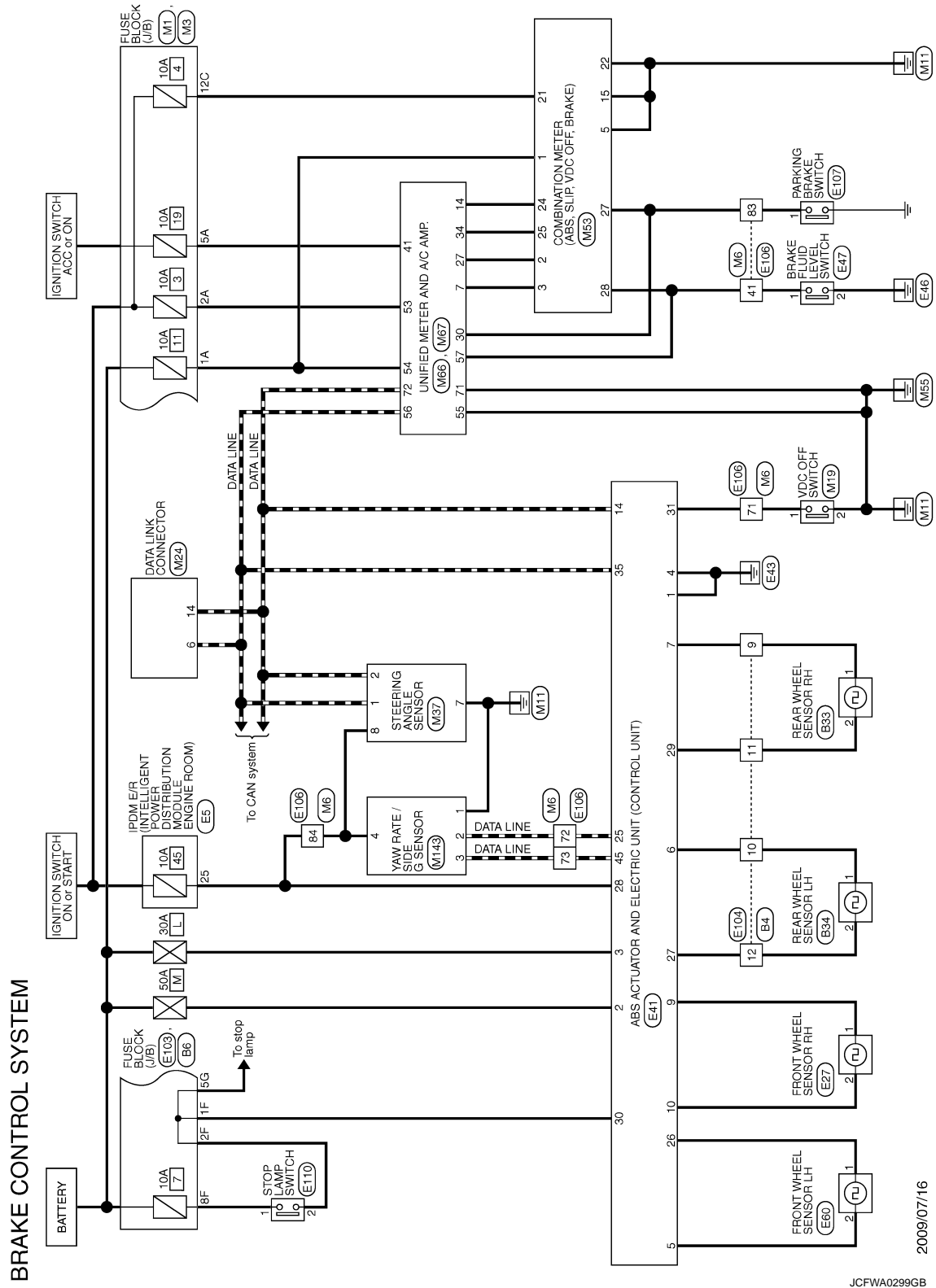
ABS ACTUATOR AND ELECTRIC UNIT (CONTROL UNIT)

< ECU DIAGNOSIS INFORMATION >

[VDC/TCS/ABS]

Wiring Diagram - BRAKE CONTROL SYSTEM -

INFOID:000000005173825



2009/07/16

JCFWA0299GB

A
B
C
D
E
F
G
H
I
J
K
L
M
N
O
P

BRC

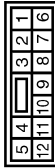
ABS ACTUATOR AND ELECTRIC UNIT (CONTROL UNIT)

< ECU DIAGNOSIS INFORMATION >

[VDC/TCS/ABS]

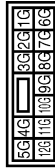
BRAKE CONTROL SYSTEM

Connector No.	E4
Connector Name	WIRE TO WIRE
Connector Type	NS12FW-CS



Terminal No.	Color of Wire	Signal Name [Specification]
1	W	
2	B	
3	G	
4	SHIELD	
5	P	
7	Y	
8	R	
9	BR	
10	O	
11	LG	
12	GR	

Connector No.	E6
Connector Name	FUSE BLOCK (J/B)
Connector Type	NS12FER-CS



Terminal No.	Color of Wire	Signal Name [Specification]
4G	R	
5G	LG	
10G	W	
11G	W	
12G	GR	

Connector No.	E33
Connector Name	REAR WHEEL SENSOR RH
Connector Type	AAZ02FE1



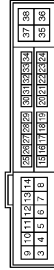
Terminal No.	Color of Wire	Signal Name [Specification]
1	BR	
2	LG	

Connector No.	E34
Connector Name	REAR WHEEL SENSOR LH
Connector Type	AAZ02FB2



Terminal No.	Color of Wire	Signal Name [Specification]
1	O	
2	GR	

Connector No.	E5
Connector Name	IPM (E/R INTELLIGENT POWER DISTRIBUTION MODULE (BRAKE INHIBIT))
Connector Type	TH20FW-CS12-IM-1V



Terminal No.	Color of Wire	Signal Name [Specification]
4	V	
5	L	

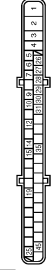
Terminal No.	Color of Wire	Signal Name [Specification]
7	R	
11	BR	
12	B/W	
13	Y	
18	LG	
19	W	
25	G	
26	R	
27	O	
28	L	
30	GR	
32	P	
38	G	

Connector No.	E27
Connector Name	FRONT WHEEL SENSOR RH
Connector Type	AAZ02FE1



Terminal No.	Color of Wire	Signal Name [Specification]
1	B	
2	W	

Connector No.	E41
Connector Name	ABS ACTUATOR AND ELECTRIC UNIT (CONTROL UNIT)
Connector Type	BAA2FB-AH24-LH



Terminal No.	Color of Wire	Signal Name [Specification]
1	B	GND
2	G	UBMR
3	B	UBVR
4	B	GND

Terminal No.	Color of Wire	Signal Name [Specification]
5	Y	DS FL
6	O	DP RL
7	BR	DP RR
8	B	DP FR
9	BR	DS FR
10	W	CAN-L
14	P	CAN-H
25	Y	BUS-L
26	LG	DP FL
27	GR	DS RL
28	G	UZ
29	LG	DS RR
30	SB	BLS
31	R	VDC OFF SW
35	L	CAN-H
45	B	BUS-H

Connector No.	E47
Connector Name	BRAKE FLUID LEVEL SWITCH
Connector Type	TY02FGY



Terminal No.	Color of Wire	Signal Name [Specification]
1	W	
2	B	

Connector No.	E60
Connector Name	FRONT WHEEL SENSOR LH
Connector Type	AAZ02FE1



Terminal No.	Color of Wire	Signal Name [Specification]
1	LG	
2	Y	

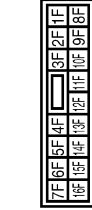
ABS ACTUATOR AND ELECTRIC UNIT (CONTROL UNIT)

< ECU DIAGNOSIS INFORMATION >

[VDC/TCS/ABS]

BRAKE CONTROL SYSTEM

Connector No.	E103
Connector Name	FUSE BLOCK (J/B)
Connector Type	NS19FV-CS



Terminal No.	Color of Wire	Signal Name [Specification]
1F	SB	-
2F	W	-
4F	G	-
6F	BR	-
8F	L	-
9F	R	-

Connector No.	E104
Connector Name	WIRE TO WIRE
Connector Type	NS12MH-CS



Terminal No.	Color of Wire	Signal Name [Specification]
1	W	-
2	BR	-
3	L	-
4	SHIELD	-
5	Y	-
7	Y	-
8	R	-
9	BR	-
10	O	-
11	LG	-
12	GR	-

Connector No.	E106
Connector Name	WIRE TO WIRE
Connector Type	TH80FY-CS (6-TM4)



Terminal No.	Color of Wire	Signal Name [Specification]
1	R	-
2	W	-
3	B	-
4	GR	-
5	Y	-
6	BR	-
7	O	-
8	SB	-
9	O	-
10	SB	-
11	O	-
12	L	-
13	R	-
14	R	-
15	P	-
16	V	-
17	SB	-
18	V	-
20	O	-
21	L	-
22	V	-
23	G	-
24	P	-
25	Y	-
26	V	-
27	W	-
28	G	-
31	O	-
32	W	-
33	B	-
34	R	-
35	G	-
36	SHIELD	-
37	V	-
38	BR	-
39	O	-
41	W	-
42	G	-
43	BR	-
45	W	-

49	L	-
50	P	-
51	L	-
52	L	-
53	P	-
54	O	-
56	BR	-
57	BR	-
59	W	-
60	LG	-
61	G	-
62	SB	-
63	W	-
64	B	-
65	G	-
66	R	-
67	SHIELD	-
68	Y	-
69	LG	-
70	W	-
71	R	-
72	Y	-
73	B	-
74	BR	- [With ICC]
74	L	- [Without ICC]
75	G	- [With ICC]
75	W	- [Without ICC]
76	W	- [With ICC]
76	Y	- [Without ICC]
77	R	- [With ICC]
77	P	- [Without ICC]
78	L	- [With ICC]
78	BR	- [Without ICC]
79	Y	- [With ICC]
79	L	- [Without ICC]
80	SB	-
81	R	-
82	SB	-
83	O	-
84	G	-
85	L	-
86	P	-
87	V	-
89	GR	-
90	SHIELD	-
91	W	-
92	Y	-
93	V	-
94	LG	-
95	O	-
96	P	-
97	R	-

98	SHIELD	-
99	L	-
100	P	-

Connector No.	E107
Connector Name	PARKING BRAKE SWITCH
Connector Type	TB01FW



Terminal No.	Color of Wire	Signal Name [Specification]
1	O	-

Connector No.	E110
Connector Name	STOP LAMP SWITCH
Connector Type	MG4FY-LC



Terminal No.	Color of Wire	Signal Name [Specification]
1	L	-
2	W	-
3	Y	-
4	SB	-

A
B
C
D
E
BRC
G
H
I
J
K
L
M
N
O
P

ABS ACTUATOR AND ELECTRIC UNIT (CONTROL UNIT)

< ECU DIAGNOSIS INFORMATION >

[VDC/TCS/ABS]

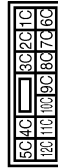
BRAKE CONTROL SYSTEM

Connector No.	M1
Connector Name	FUSE BLOCK (J/B)
Connector Type	NS09FW-M2



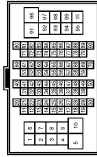
Terminal No.	Color of Wire	Signal Name [Specification]
1A	GR	
2A	G	
3A	L	
4A	P	
5A	V	
6A	Y	
7A	R	
8A	L	

Connector No.	M3
Connector Name	FUSE BLOCK (J/B)
Connector Type	NS12FW-CS



Terminal No.	Color of Wire	Signal Name [Specification]
6C	R	
7C	B	
8C	O	
9C	L	
10C	R	
12C	O	

Connector No.	M6
Connector Name	WIRE TO WIRE
Connector Type	TH80MW-GS16-TM4



Terminal No.	Color of Wire	Signal Name [Specification]
1	W	
2	R	
3	B	
4	SHIELD	
5	G	
8	Y	
9	BR	
10	R	
11	BR	
12	O	
13	L	
14	R	
15	P	
16	V	
17	SB	
18	V	
20	O	
21	L	
22	W	
23	P	
24	BR	
25	Y	
26	V	
27	G	
28	G	
31	L	
32	G	
33	B	
34	W	
35	R	
36	SHIELD	
37	V	
38	O	
39	BR	
41	W	
42	O	
43	O	
44	W	

49	L	
50	P	
51	BR	
52	L	
53	P	
54	Y	
56	BR	
57	G	
59	W	
60	L	
61	G	
62	SB	
63	G	
64	B	
65	W	
66	R	
67	SHIELD	
68	Y	
69	GR	
70	LG	
71	LG	
72	Y	
73	SB	
74	BR	
74	L	
75	G	
76	W	
76	GR	
77	R	
77	P	
78	L	
78	R	
79	Y	
79	W	
80	SB	
81	SB	
82	SB	
83	V	
84	G	
85	L	
86	P	
87	W	
88	GR	
89	GR	
90	SHIELD	
91	W	
92	Y	
93	BR	
94	P	
95	GR	
96	W	
97	L	
98	SHIELD	

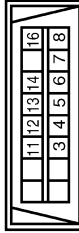
99	V
100	SB

Connector No.	M19
Connector Name	VDC OFF SWITCH
Connector Type	TK06FGY



Terminal No.	Color of Wire	Signal Name [Specification]
1	LG	
2	B	
3	R	
4	W	

Connector No.	M24
Connector Name	DATA LINK CONNECTOR
Connector Type	BD16FW



Terminal No.	Color of Wire	Signal Name [Specification]
3	G	
4	B	
5	B	
6	L	
7	V	
8	G	
11	R	
14	P	
16	Y	

ABS ACTUATOR AND ELECTRIC UNIT (CONTROL UNIT)

< ECU DIAGNOSIS INFORMATION >

[VDC/TCS/ABS]

A
B
C
D
E
G
H
I
J
K
L
M
N
O
P

BRC

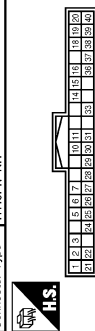
BRAKE CONTROL SYSTEM

Connector No.	M37
Connector Name	STEERING ANGLE SENSOR
Connector Type	TH08PW-NH



Terminal No.	Color of Wire	Signal Name [Specification]
1	L	CAN-H
2	P	CAN-L
7	B	GND
8	G	IGN

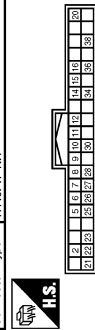
Connector No.	M63
Connector Name	COMBINATION METER
Connector Type	TH40FW-NH



Terminal No.	Color of Wire	Signal Name [Specification]
1	GR	BATTERY POWER SUPPLY
2	LG	COMMUNICATION SIGNAL (METER->AMP)
3	GR	COMMUNICATION SIGNAL (AMP->METER)
5	B	GROUND
6	P	ALTERNATOR SIGNAL
7	BR	AIR BAG SIGNAL
10	G	SECURITY SIGNAL
15	B	GROUND
16	B	METER CONTROL SWITCH GROUND
19	B	ILL GND
20	R	ILL
21	O	IGNITION POWER SUPPLY
22	B	GROUND
24	BR	COMMUNICATION SIGNAL (LCD->AMP)
25	I	COMMUNICATION SIGNAL (AMP->LCD)
26	R	VEHICLE SPEED SIGNAL (P-PULSE)
27	V	PARKING BRAKE SWITCH SIGNAL
28	W	BRAKE FLUID LEVEL SWITCH SIGNAL

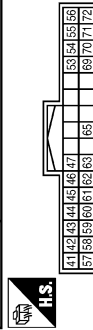
29	SB	SEAT BELT BUCKLE SWITCH SIGNAL (DRIVER SIDE)
30	G	SEAT BELT BUCKLE SWITCH SIGNAL (PASSENGER SIDE)
31	L	WASHER LEVEL SWITCH SIGNAL
33	B	ILLUMINATION CONTROL
36	LG	SELECT SWITCH SIGNAL
37	SB	ENTER SWITCH SIGNAL
38	L	TRIP A/B RESET SWITCH SIGNAL
39	P	ILLUMINATION CONTROL SWITCH SIGNAL (-)
40	O	ILLUMINATION CONTROL SWITCH SIGNAL (+)

Connector No.	M66
Connector Name	UNIFIED METER AND A/C AMP.
Connector Type	TH40FW-NH



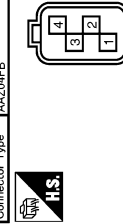
Terminal No.	Color of Wire	Signal Name [Specification]
5	L	MANUAL MODE SHIFT UP SIGNAL
7	GR	COMMUNICATION SIGNAL (AMP->METER)
8	L	VEHICLE SPEED SIGNAL (2-PULSE)
9	SB	FRONT SEAT BELT BUCKLE SWITCH SIGNAL (DRIVER SIDE)
10	W	MANUAL MODE SIGNAL
11	G	NON-MANUAL MODE SIGNAL
14	BR	COMMUNICATION SIGNAL (LCD->AMP)
20	L	ION ON/OFF SIGNAL
23	Y	AT SNOW SWITCH SIGNAL
25	V	MANUAL MODE SHIFT DOWN SIGNAL
27	LG	COMMUNICATION SIGNAL (METER->AMP)
28	R	VEHICLE SPEED SIGNAL (8-PULSE)
30	V	PARKING BRAKE SWITCH SIGNAL
34	Y	COMMUNICATION SIGNAL (AMP->LCD)
38	P	BLOWER MOTOR CONTROL SIGNAL

Connector No.	M67
Connector Name	UNIFIED METER AND A/C AMP.
Connector Type	TH42FW-NH



Terminal No.	Color of Wire	Signal Name [Specification]
41	V	ACC POWER SUPPLY
42	Y	FUEL LEVEL SENSOR SIGNAL
43	R	INTAKE SENSOR SIGNAL
44	LG	IN-VEHICLE SENSOR SIGNAL
45	P	AMBIENT SENSOR SIGNAL
46	O	SUNLOAD SENSOR SIGNAL
47	G	GAS SENSOR SIGNAL
53	G	IGNITION POWER SUPPLY
54	Y	BATTERY POWER SUPPLY
55	B	GROUND
56	L	CAN-H
57	W	BRAKE FLUID LEVEL SWITCH SIGNAL
58	BR	FUEL LEVEL SENSOR GROUND
59	GR	INTAKE SENSOR GROUND
60	L	IN-VEHICLE SENSOR GROUND
61	BR	AMBIENT SENSOR GROUND
62	SB	SUNLOAD SENSOR GROUND
63	R	-
65	O	ECV SIGNAL
66	L	A/C LAN SIGNAL
70	R	EACH DOOR MOTOR POWER SUPPLY
71	B	GROUND
72	P	CAN-L

Connector No.	M143
Connector Name	YAW RATE / SIDE G SENSOR
Connector Type	AA204FB



Terminal No.	Color of Wire	Signal Name [Specification]
1	B	GND
2	Y	BUS-L
3	SB	BUS-H
4	G	12V

Fail-Safe

ABS, EBD SYSTEM

If ABS malfunction electrically, ABS warning lamp, VDC OFF indicator lamp, SLIP indicator lamp will turn on. If EBD malfunction electrically, brake warning lamp, ABS warning lamp, VDC OFF indicator lamp and SLIP indicator lamp will turn on. Simultaneously, the VDC/TCS/ABS become one of the following conditions of the fail-safe function.

JCFWA0303GB

INFOID:000000005173826

ABS ACTUATOR AND ELECTRIC UNIT (CONTROL UNIT)

[VDC/TCS/ABS]

< ECU DIAGNOSIS INFORMATION >

- For malfunction of ABS, only the EBD is activated and the condition of vehicle is the same condition of vehicles without TCS/ABS system.

NOTE:

ABS self-diagnosis sound may be heard. That is a normal condition because a self-diagnosis for "Ignition switch ON" and "The first starting" are being performed.

- For malfunction of EBD, EBD and ABS become inoperative, and the condition of vehicle is the same as the condition of vehicles without TCS/ABS, EBD system.

VDC / TCS

If VDC/TCS/ABS system malfunction electrically, VDC OFF indicator lamp, SLIP indicator lamp are turned on, and the condition of vehicle is the same as the condition of vehicles without VDC/TCS control.

CAUTION:

If the Fail-Safe function is activated, then perform self-diagnosis for "ABS" with CONSULT-III.

LDW/LDP SYSTEM

- In case of malfunction in the LDW/LDP system, lane departure warning lamp is turned ON, and the condition of vehicle is the same as the condition of vehicles without LDW/LDP control.
- In case of malfunction in the VDC/TCS/ABS system, lane departure warning lamp is turned ON, and the condition of vehicle is the same as the condition of vehicles without LDW/LDP control.

DTC No. Index

INFOID:000000005173827

DTC	Items (CONSULT screen terms)	Reference
C1101	RR RH SENSOR-1	BRC-37, "DTC Logic"
C1102	RR LH SENSOR-1	
C1103	FR RH SENSOR-1	
C1104	FR LH SENSOR-1	
C1105	RR RH SENSOR-2	BRC-39, "DTC Logic"
C1106	RR LH SENSOR-2	
C1107	FR RH SENSOR-2	
C1108	FR LH SENSOR-2	
C1109	BATTERY VOLTAGE [ABNORMAL]	BRC-42, "DTC Logic"
C1110	CONTROLLER FAILURE	BRC-44, "DTC Logic"
C1111	PUMP MOTOR	BRC-45, "DTC Logic"
C1114	MAIN RELAY	BRC-47, "DTC Logic"
C1115	ABS SENSOR [ABNORMAL SIGNAL]	BRC-49, "DTC Logic"
C1116	STOP LAMP SW	BRC-51, "DTC Logic"
C1120	FR LH IN ABS SOL	BRC-53, "DTC Logic"
C1121	FR LH OUT ABS SOL	BRC-55, "DTC Logic"
C1122	FR RH IN ABS SOL	BRC-53, "DTC Logic"
C1123	FR RH OUT ABS SOL	BRC-55, "DTC Logic"
C1124	RR LH IN ABS SOL	BRC-53, "DTC Logic"
C1125	RR LH OUT ABS SOL	BRC-55, "DTC Logic"
C1126	RR RH IN ABS SOL	BRC-53, "DTC Logic"
C1127	RR RH OUT ABS SOL	BRC-55, "DTC Logic"
C1130	ENGINE SIGNAL 1	BRC-57, "DTC Logic"
C1142	PRESS SEN CIRCUIT	BRC-58, "DTC Logic"
C1143	ST ANG SEN CIRCUIT	BRC-60, "DTC Logic"
C1144	ST ANG SEN SIGNAL	BRC-62, "DTC Logic"
C1145	YAW RATE SENSOR	BRC-63, "DTC Logic"
C1146	SIDE G-SEN CIRCUIT	

ABS ACTUATOR AND ELECTRIC UNIT (CONTROL UNIT)

< ECU DIAGNOSIS INFORMATION >

[VDC/TCS/ABS]

DTC	Items (CONSULT screen terms)	Reference	
C1147	USV LINE [FL-RR]	BRC-66, "DTC Logic"	A
C1148	USV LINE [FR-RL]		
C1149	HSV LINE [FL-RR]		B
C1150	HSV LINE [FR-RL]		
C1153	EMERGENCY BRAKE	BRC-44, "DTC Logic"	
C1154	PNP POSI SIG	BRC-68, "DTC Logic"	C
C1155	BR FLUID LEVEL LOW	BRC-69, "DTC Logic"	
C1170	VARIANT CORDING	BRC-44, "DTC Logic"	D
C1185	ACC CONT	BRC-71, "DTC Logic"	
C1B00	LDP) CAMERA MALF	CCS-462, "DTC Logic"	
C1B04	LDP) ICC STG SW MALF	CCS-463, "DTC Logic"	E
C1B05	LDP) APP SEN MALF	CCS-464, "DTC Logic"	
C1B06	LDP) TCM MALF	CCS-465, "DTC Logic"	BRC
U0100	LDP) ECM CAN CIR2	CCS-466, "DTC Logic"	
U0101	LDP) TCM CAM CAN CIR2	CCS-467, "DTC Logic"	
U0104	LDP) ICC CAM CAN CIR2	CCS-468, "DTC Logic"	G
U0405	LDP) ICC CAM CAN CIR1	CCS-469, "DTC Logic"	
U1000	CAN COMM CIRCUIT	BRC-72, "DTC Logic"	
U1002	SYSTEM COMM (CAN)		H
U1100	ACC COMM CIRCUIT	BRC-73, "DTC Logic"	
U1500	LDP) CAM CAN CIR1	CCS-470, "DTC Logic"	I
U1501	LDP) CAM CAN CIR2	CCS-471, "DTC Logic"	

A
B
C
D
E
BRC
G
H
I
J
K
L
M
N
O
P

SYMPTOM DIAGNOSIS

EXCESSIVE ABS FUNCTION OPERATION FREQUENCY

Diagnosis Procedure

INFOID:000000005173828

1. CHECK START

Check front and rear brake force distribution using a brake tester. Refer to [BR-47. "General Specifications"](#).

Is the inspection result normal?

YES >> GO TO 2.

NO >> Check brake system.

2. CHECK FRONT AND REAR AXLE

Make sure that there is no excessive play in the front and rear axles.

- Front
 - 2WD models: Refer to [FAX-6. "Inspection"](#).
 - AWD models: Refer to [FAX-15. "Inspection"](#).
- Rear: Refer to [RAX-5. "Inspection"](#).

Is the inspection result normal?

YES >> GO TO 3.

NO >> Repair or replace malfunctioning components.

3. CHECK WHEEL SENSOR AND SENSOR ROTOR

Check the following.

- Wheel sensor installation for damage.
- Sensor rotor installation for damage.
- Wheel sensor connector connection.
- Wheel sensor harness inspection.

Is the inspection result normal?

YES >> GO TO 4.

NO >>

- Replace wheel sensor or sensor rotor.
- Repair harness.

4. CHECK ABS WARNING LAMP DISPLAY

Make sure that the ABS warning lamp is turned off after the ignition switch is turned ON or when driving.

Is the ABS warning lamp illuminated?

YES >> Perform self-diagnosis for "ABS" with CONSULT-III.

NO >> Normal

UNEXPECTED PEDAL REACTION

< SYMPTOM DIAGNOSIS >

[VDC/TCS/ABS]

UNEXPECTED PEDAL REACTION

Diagnosis Procedure

INFOID:000000005173829

1.CHECK BRAKE PEDAL STROKE

Check brake pedal stroke. Refer to [BR-7, "Inspection and Adjustment"](#).

Is the stroke too large?

- YES >> • Bleed air from brake tube and hose. Refer to [BR-11, "Bleeding Brake System"](#).
• Check brake pedal, brake booster, and master cylinder for mount play, looseness, brake system fluid leakage, etc.
- Brake pedal: Refer to [BR-7, "Inspection and Adjustment"](#).
- Brake booster: Refer to [BR-13, "Inspection"](#).
- Master cylinder: Refer to [BR-12, "Inspection"](#).
- NO >> GO TO 2.

2.CHECK FUNCTION

Disconnect ABS actuator and electric unit (control unit) connector to deactivate ABS. Check if braking force is normal in this condition. Connect connector after inspection.

Is the inspection result normal?

- YES >> Normal
NO >> Check brake system.

A
B
C
D
E
G
H
I
J
K
L
M
N
O
P

BRC

THE BRAKING DISTANCE IS LONG

< SYMPTOM DIAGNOSIS >

[VDC/TCS/ABS]

THE BRAKING DISTANCE IS LONG

Diagnosis Procedure

INFOID:000000005173830

CAUTION:

The stopping distance on slippery road surfaces might be longer when the ABS is operating than when the ABS is not operating.

1.CHECK FUNCTION

Turn ignition switch OFF and disconnect ABS actuator and electric unit (control unit) connector to deactivate ABS. In this condition, check stopping distance. After inspection, connect connector.

Is the inspection result normal?

YES >> Normal

NO >> Check brake system.

ABS FUNCTION DOES NOT OPERATE

< SYMPTOM DIAGNOSIS >

[VDC/TCS/ABS]

ABS FUNCTION DOES NOT OPERATE

Diagnosis Procedure

INFOID:000000005173831

CAUTION:

ABS does not operate when speed is 10 km/h (6 MPH) or lower.

1.CHECK ABS WARNING LAMP DISPLAY

Make sure that the ABS warning lamp turns OFF after ignition switch is turned ON or when driving.

Is the inspection result normal?

YES >> Normal

NO >> Perform self-diagnosis for "ABS" with CONSULT-III.

A
B
C
D
E
G
H
I
J
K
L
M
N
O
P

BRC

PEDAL VIBRATION OR ABS OPERATION SOUND OCCURS

< SYMPTOM DIAGNOSIS >

[VDC/TCS/ABS]

PEDAL VIBRATION OR ABS OPERATION SOUND OCCURS

Diagnosis Procedure

INFOID:000000005173832

CAUTION:

Under the following conditions, ABS is activated and vibration is felt when brake pedal is lightly depressed (just place a foot on it). However, this is normal.

- When shifting gears
- When driving on slippery road
- During cornering at high speed
- When passing over bumps or grooves [at approximately 50 mm (1.97 in) or more]
- When pulling away just after starting engine [at approximately 10 km/h (6 MPH) or higher]

1. SYMPTOM CHECK 1

Check that there are pedal vibrations when the engine is started.

Do vibrations occur?

- YES >> GO TO 2.
NO >> Inspect the brake pedal.

2. SYMPTOM CHECK 2

Check that there are ABS operation noises when the engine is started.

Do the operation noises occur?

- YES >> GO TO 3.
NO >> Perform self-diagnosis for "ABS" with CONSULT-III.

3. SYMPTOM CHECK 3

Check symptoms when electrical component (headlamps, etc.) switches are operated.

Do symptoms occur?

- YES >> Check if there is a radio, antenna, antenna lead wire, or wiring close to the control unit. If there is, move it farther away.
NO >> Normal

VEHICLE JERKS DURING VDC/TCS/ABS CONTROL

< SYMPTOM DIAGNOSIS >

[VDC/TCS/ABS]

VEHICLE JERKS DURING VDC/TCS/ABS CONTROL

Diagnosis Procedure

INFOID:000000005173833

1.SYMPTOM CHECK

Check if the vehicle jerks during VDC/TCS/ABS control.

Is the inspection result normal?

- YES >> Normal.
- NO >> GO TO 2.

2.CHECK SELF-DIAGNOSIS RESULTS

Perform self-diagnosis for "ABS" with CONSULT-III.

Are self-diagnosis results indicated?

- YES >> Check corresponding items, make repairs, and perform self-diagnosis for "ABS" with CONSULT-III.
- NO >> GO TO 3.

3.CHECK CONNECTOR

- Turn ignition switch OFF and disconnect ABS actuator and electric unit (control unit) connector and check terminal for deformation, disconnection, looseness, etc.
- Securely connect connectors and perform self-diagnosis for "ABS" with CONSULT-III.

Are self-diagnosis results indicated?

- YES >> If poor contact, damage, open or short circuit of connector terminal is found, repair or replace.
- NO >> GO TO 4.

4.CHECK ECM AND A/T SELF-DIAGNOSIS RESULTS

Perform self-diagnosis for "ENGINE" and "TRANSMISSION" with CONSULT-III.

Are self-diagnosis results indicated?

- YES >> Check the corresponding items.
- NO >> Replace ABS actuator and electric unit (control unit).

A
B
C
D
E
G
H
I
J
K
L
M
N
O
P

BRC

NORMAL OPERATING CONDITION

< SYMPTOM DIAGNOSIS >

[VDC/TCS/ABS]

NORMAL OPERATING CONDITION

Description

INFOID:000000005173834

Symptom	Result
Slight vibrations are felt on the brake pedal and the operation noises occur, when VDC, TCS or ABS is activated.	This is a normal condition due to the VDC, TCS or ABS activation.
Stopping distance is longer than that of vehicles without ABS when the vehicle drives on rough, gravel, or snow-covered (fresh, deep snow) roads.	
The brake pedal moves and generates noises, when TCS or VDC is activated due to rapid acceleration or sharp turn.	
The brake pedal vibrates and motor operation noises occur from the engine room, after the engine starts and just after the vehicle starts.	This is a normal, and it is caused by the ABS operation check.
Depending on the road conditions, the driver may experience a sluggish feel.	This is normal, because TCS places the highest priority on the optimum traction (stability).
TCS may activate momentarily if wheel speed changes when driving over location where friction coefficient varies, when downshifting, or when fully depressing accelerator pedal.	
The ABS warning lamp, VDC OFF indicator lamp and SLIP indicator lamp may turn ON when the vehicle is subject to strong shaking or large vibration, such as when the vehicle is rotating on a turntable or located on a ship while the engine is running.	In this case, restart the engine on a normal road. If the normal condition is restored, there is no malfunction. At that time, erase the self-diagnosis memory.
VDC may not operate normally or the ABS warning lamp, VDC OFF indicator lamp, and SLIP indicator lamp may illuminate, when running on a special road that is extremely slanted (e.g. bank in a circuit course).	
A malfunction may occur in the yaw rate/side G sensor system, when the vehicle turns sharply, such as during a spin turn, axle turn, or drift driving, while the VDC function is off (VDC OFF indicator lamp illuminated).	
The vehicle speed will not increase even though the accelerator pedal is depressed, when inspecting the speedometer on a 2-wheel chassis dynamometer.	Normal (Deactivate the VDC/TCS function before performing an inspection on a chassis dynamometer.)
VDC OFF indicator lamp and SLIP indicator lamp may simultaneously turn on when low tire pressure warning lamp turns on.	This is not a VDC system error but results from characteristic change of tire.

PRECAUTION

PRECAUTIONS

Precaution for Supplemental Restraint System (SRS) "AIR BAG" and "SEAT BELT PRE-TENSIONER"

INFOID:00000000525422

The Supplemental Restraint System such as "AIR BAG" and "SEAT BELT PRE-TENSIONER", used along with a front seat belt, helps to reduce the risk or severity of injury to the driver and front passenger for certain types of collision. This system includes seat belt switch inputs and dual stage front air bag modules. The SRS system uses the seat belt switches to determine the front air bag deployment, and may only deploy one front air bag, depending on the severity of a collision and whether the front occupants are belted or unbelted. Information necessary to service the system safely is included in the "SRS AIR BAG" and "SEAT BELT" of this Service Manual.

WARNING:

- To avoid rendering the SRS inoperative, which could increase the risk of personal injury or death in the event of a collision which would result in air bag inflation, all maintenance must be performed by an authorized NISSAN/INFINITI dealer.
- Improper maintenance, including incorrect removal and installation of the SRS, can lead to personal injury caused by unintentional activation of the system. For removal of Spiral Cable and Air Bag Module, see the "SRS AIR BAG".
- Do not use electrical test equipment on any circuit related to the SRS unless instructed to in this Service Manual. SRS wiring harnesses can be identified by yellow and/or orange harnesses or harness connectors.

PRECAUTIONS WHEN USING POWER TOOLS (AIR OR ELECTRIC) AND HAMMERS

WARNING:

- When working near the Air Bag Diagnosis Sensor Unit or other Air Bag System sensors with the ignition ON or engine running, DO NOT use air or electric power tools or strike near the sensor(s) with a hammer. Heavy vibration could activate the sensor(s) and deploy the air bag(s), possibly causing serious injury.
- When using air or electric power tools or hammers, always switch the ignition OFF, disconnect the battery, and wait at least 3 minutes before performing any service.

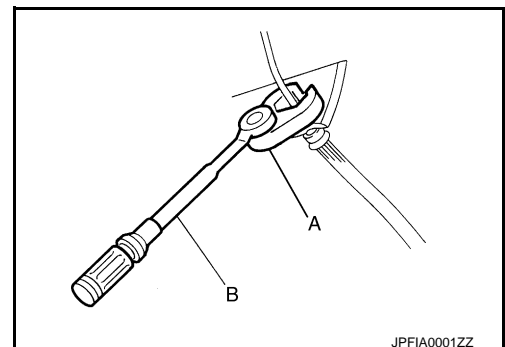
Precaution for Brake System

INFOID:000000005173836

WARNING:

Clean brake pads and shoes with a waste cloth, then wipe with a dust collector.

- Only use DOT 3 brake fluid. Refer to [MA-10. "Fluids and Lubricants"](#).
- Never reuse drained brake fluid.
- Never spill or splash brake fluid on painted surfaces. Brake fluid may seriously damage paint. Wipe it off immediately and wash with water if it gets on a painted surface.
- Never use mineral oils such as gasoline or light oil. They may damage rubber parts and cause improper operation.
- Always loosen the brake tube flare nut with a flare nut wrench.
- Tighten the brake tube flare nut to the specified torque with a crow-foot (A) and torque wrench (B).
- Always conform the specified tightening torque when installing the brake pipes.
- Brake system is an important safety part. If a brake fluid leak is detected, always disassemble the affected part. If a malfunction is detected, replace part with a new one.
- Turn the ignition switch OFF and disconnect the ABS actuator and electric unit (control unit) connector or the battery negative terminal before performing the work.



JPFIA0001ZZ

PRECAUTIONS

< PRECAUTION >

[VDC/TCS/ABS]

Precaution for Brake Control

INFOID:000000005173837

- When starting engine or when starting vehicle just after starting engine, brake pedal may vibrate or motor operating noise may be heard from engine compartment. This is normal condition.
- When an error is indicated by ABS or another warning lamp, collect all necessary information from customer (what symptoms are present under what conditions) and check for estimate causes before starting diagnostic servicing. Besides electrical system inspection, check brake booster operation, brake fluid level, and oil leaks.
- If tire size and type are used in an improper combination, or brake pads are not Genuine NISSAN parts, stopping distance or steering stability may deteriorate.
- ABS might be out of order or malfunctions by putting a radio (wiring inclusive), an antenna and a lead-in wire near the control unit.
- If aftermarket parts (car stereo, CD player, etc.) have been installed, check for incidents such as harness pinches, open circuits, and improper wiring.
- VDC system may not operate normally or a VDC OFF indicator lamp or SLIP indicator lamp may light.
- When replacing the following parts with parts other than genuine parts or making modifications: Suspension related parts (shock absorber, spring, bushing, etc.), tires, wheels (other than specified sizes), brake-related parts (pad, rotor, caliper, etc.), engine-related parts (muffler, ECM, etc.) and body reinforcement-related parts (roll bar, tower bar, etc.).
- When driving with worn or deteriorated suspension, tires and brake-related parts.

Precautions for Harness Repair

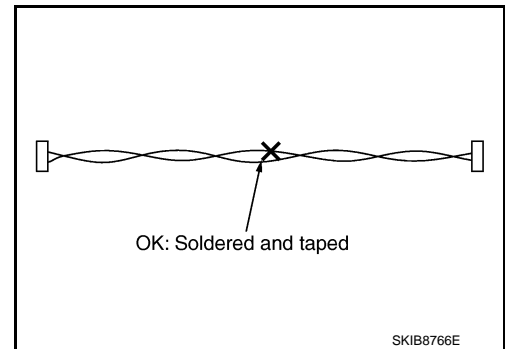
INFOID:000000005173838

COMMUNICATION LINE

- Solder the repaired area and wrap tape around the soldered area.

NOTE:

A fray of twisted lines must be within 110 mm (4.33 in).

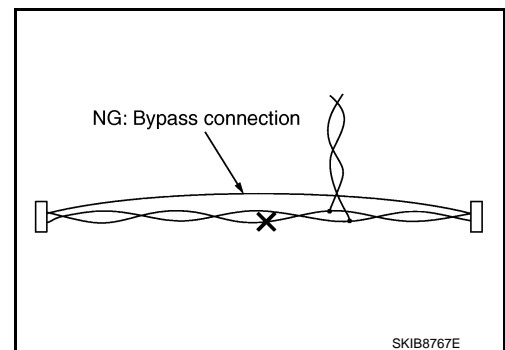


- Bypass connection is never allowed at the repaired area.

NOTE:

Bypass connection may cause communication error as spliced wires that are separate from the main line or twisted lines lose noise immunity.

- Replace the applicable harness as an assembly if error is detected on the shield lines of communication line.



PREPARATION

< PREPARATION >

[VDC/TCS/ABS]

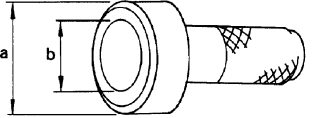
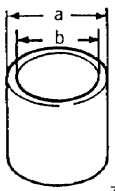
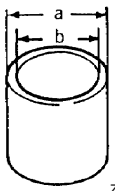
PREPARATION

PREPARATION

Special Service Tool

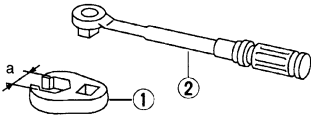
INFOID:000000005173839

The actual shapes of Kent-Moore tools may differ from those of special service tools illustrated here.

Tool number (Kent-Moore No.) Tool name	Description
ST30720000 (J-25405) Drift a: 77 mm (3.03 in) dia. b: 55.5 mm (2.185 in) dia.  ZZA0701D	
ST27863000 (—) Drift a: 74.5 mm (2.933 in) dia. b: 62.5 mm (2.461 in) dia.  ZZA0832D	Installing rear sensor rotor
KV40104710 (—) a: 76.3 mm (3.004 in) dia. b: 67.9 mm (2.673 in) dia.  ZZA0832D	

Commercial Service Tool

INFOID:000000005173840

Tool name	Description
1. Flare nut crowfoot a: 10 mm (0.39 in) / 12 mm (0.47 in) 2. Torque wrench  S-NT360	Installing brake tube

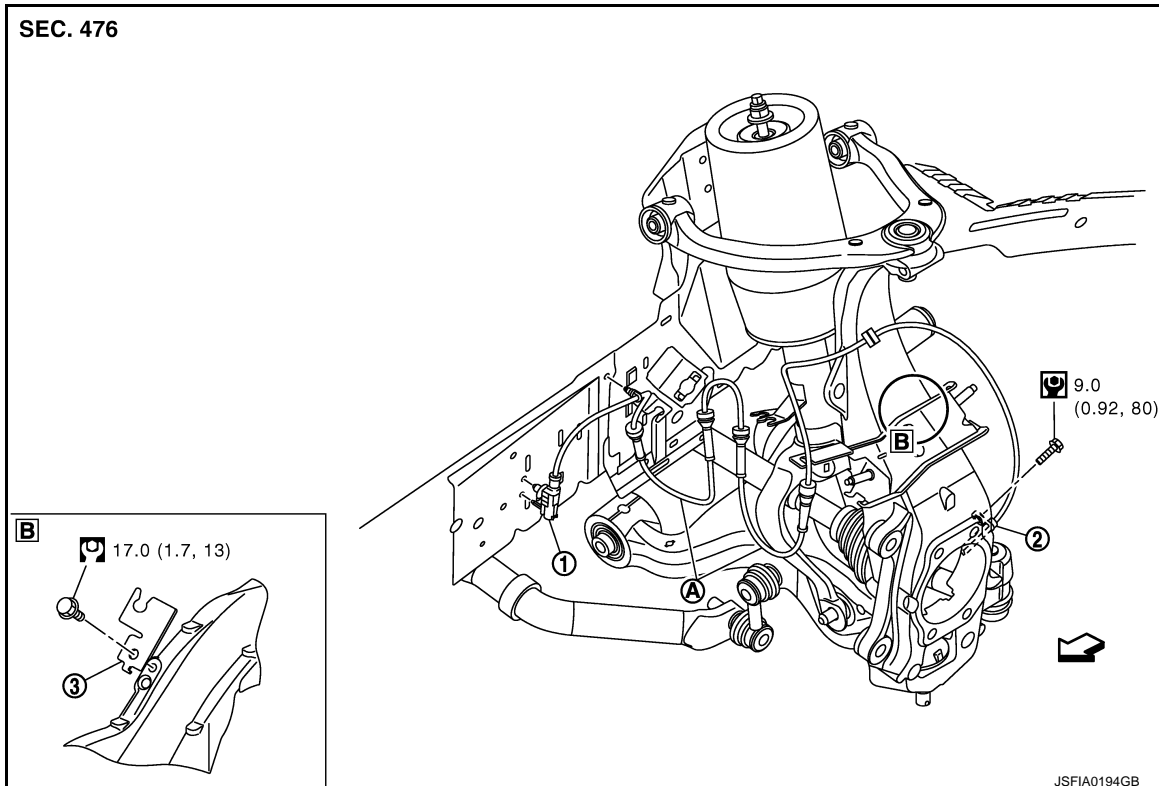
REMOVAL AND INSTALLATION

WHEEL SENSOR

FRONT WHEEL SENSOR

FRONT WHEEL SENSOR : Exploded View

INFOID:000000005173841



1. Front LH wheel sensor connector 2. Front LH wheel sensor 3. Bracket

A. White line (slant line)

⇐: Vehicle front

Refer to GI section [GI-4. "Components"](#) for symbol marks in the figure.

NOTE:

The above figure shows left side. Right side is the mirror image.

FRONT WHEEL SENSOR : Removal and Installation

INFOID:000000005173842

REMOVAL

Be careful with the following when removing sensor.

- Do not twist sensor harness as much as possible, when removing it. Pull sensors out without pulling sensor harness.
- Be careful to avoid damaging sensor edges or rotor teeth. Remove wheel sensor first before removing front or rear wheel hub. This is to avoid damage to sensor wiring and loss of sensor function.

INSTALLATION

Be careful with the following when installing wheel sensor. Tighten installation bolts to the specified torques. Refer to [BRC-106. "FRONT WHEEL SENSOR : Exploded View"](#).

- When installing, make sure there is no foreign material such as iron chips on and in the mounting hole of the wheel sensor. Make sure no foreign material has been caught in the sensor rotor. Remove any foreign material and clean the mount.
- When installing wheel sensor, be sure to press rubber grommets in until they lock at locations shown above in the figure. When installed, harness must not be twisted.

WHEEL SENSOR

< REMOVAL AND INSTALLATION >

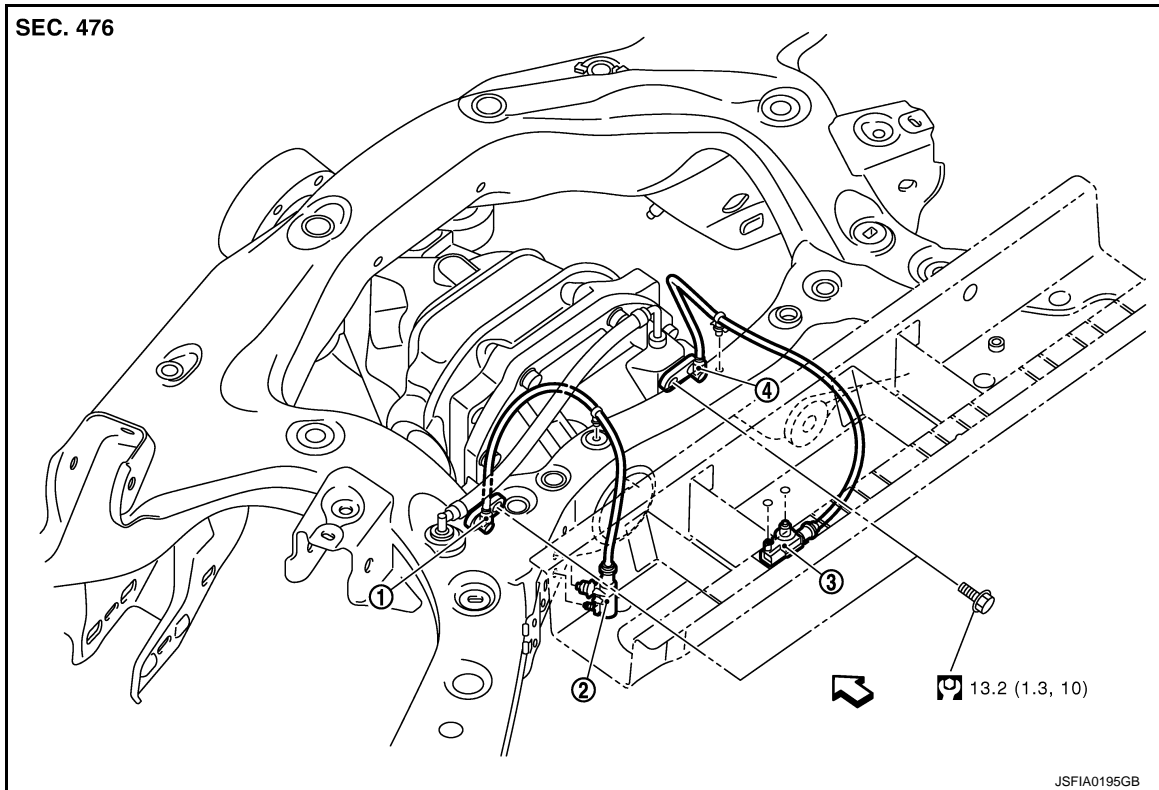
[VDC/TCS/ABS]

- When you see the harness of the wheel sensor from the front side of the vehicle ensure that the white lines (A) are not twisted.

REAR WHEEL SENSOR

REAR WHEEL SENSOR : Exploded View

INFOID:000000005173843



1. Rear LH wheel sensor
2. Rear LH wheel sensor connector
3. Rear RH wheel sensor connector
4. Rear RH wheel sensor

↔: Vehicle front

Refer to GI section [GI-4. "Components"](#) for symbol marks in the figure.

REAR WHEEL SENSOR : Removal and Installation

INFOID:000000005173844

REMOVAL

Be careful with the following when removing sensor.

- Do not twist sensor harness as much as possible, when removing it. Pull sensors out without pulling sensor harness.
- Be careful to avoid damaging sensor edges or rotor teeth. Remove wheel sensor first before removing front or rear wheel hub. This is to avoid damage to sensor wiring and loss of sensor function.

INSTALLATION

Be careful with the following when installing wheel sensor. Tighten installation bolts to the specified torques. Refer to [BRC-107. "REAR WHEEL SENSOR : Exploded View"](#).

- When installing, make sure there is no foreign material such as iron chips on and in the mounting hole of the wheel sensor. Make sure no foreign material has been caught in the sensor rotor. Remove any foreign material and clean the mount.
- When installing a rear LH wheel sensor, be sure to pass the wheel sensor harness under the breather hose.

SENSOR ROTOR

< REMOVAL AND INSTALLATION >

[VDC/TCS/ABS]

SENSOR ROTOR

FRONT SENSOR ROTOR

FRONT SENSOR ROTOR : Exploded View

INFOID:000000005173845

Refer to [FAX-7, "Exploded View"](#) (2WD models), [FAX-17, "Exploded View"](#) (AWD models).

FRONT SENSOR ROTOR : Removal and Installation

INFOID:000000005173846

REMOVAL

Sensor rotor cannot be disassembled. Remove the sensor rotor together with hub bearing assembly. Refer to [FAX-7, "Exploded View"](#) (2WD models), [FAX-17, "Exploded View"](#) (AWD models).

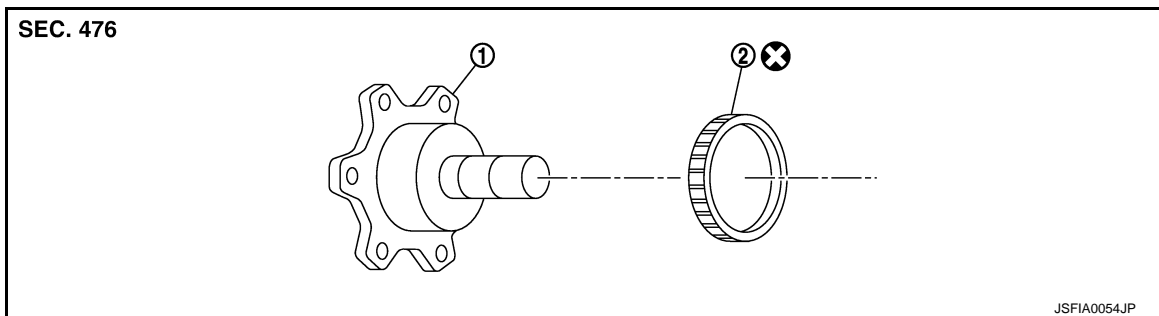
INSTALLATION

Sensor rotor cannot be disassembled. Install the sensor rotor together with hub bearing assembly. Refer to [FAX-7, "Exploded View"](#) (2WD models), [FAX-17, "Exploded View"](#) (AWD models).

REAR SENSOR ROTOR

REAR SENSOR ROTOR : Exploded View

INFOID:000000005173847



1. Side flange
2. Rear wheel sensor rotor

Refer to GI section [GI-4, "Components"](#) for symbol marks in the figure.

REAR SENSOR ROTOR : Removal and Installation

INFOID:000000005173848

REMOVAL

- Follow the procedure below to remove rear sensor rotor.
- Remove side flange. Refer to [DLN-163, "2WD : Exploded View"](#) (2WD), [DLN-176, "AWD : Exploded View"](#) (AWD).
- Using a bearing replacer (suitable tool) and puller (suitable tool), remove sensor rotor from side flange.

INSTALLATION

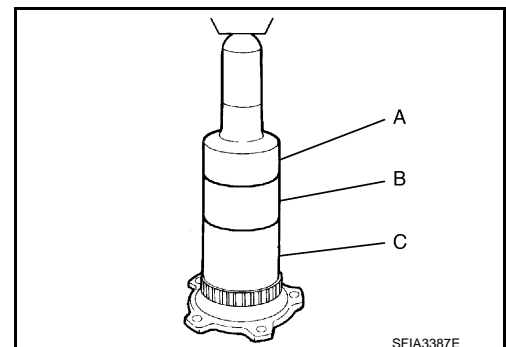
CAUTION:

Do not reuse sensor rotor.

- Follow the procedure below to install rear sensor rotor.
- Using a drifts, press rear sensor rotor onto side flange.

- A: Drift [SST: ST30720000 (J-25405)]
- B: Drift [SST: ST27863000 (—)]
- C: Drift [SST: KV40104710 (—)]

- Install side flange. Refer to [DLN-163, "2WD : Exploded View"](#) (2WD), [DLN-176, "AWD : Exploded View"](#) (AWD).



ABS ACTUATOR AND ELECTRIC UNIT (CONTROL UNIT)

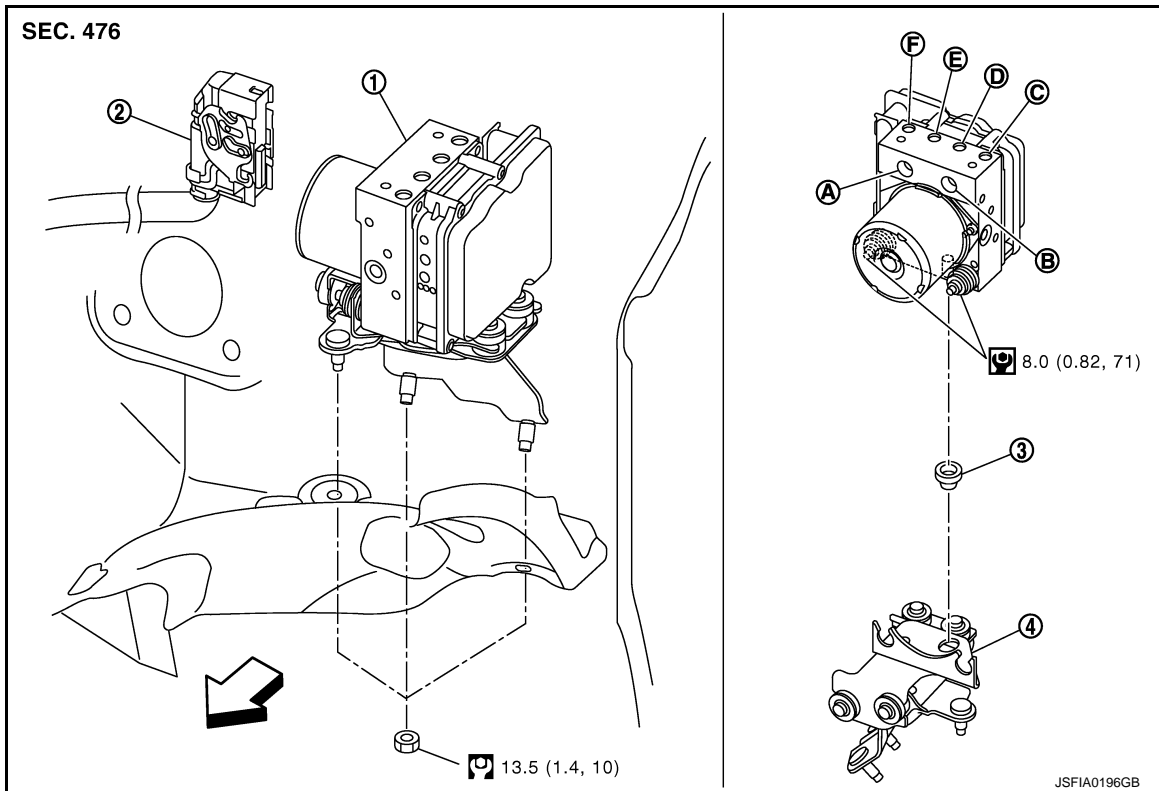
< REMOVAL AND INSTALLATION >

[VDC/TCS/ABS]

ABS ACTUATOR AND ELECTRIC UNIT (CONTROL UNIT)

Exploded View

INFOID:000000005173849



A
B
C
D
E
G
H
I
J
K
L

BRC

- | | | |
|--|--------------------------------------|------------------------------|
| 1. ABS actuator and electric unit (control unit) | 2. Connector | 3. Bushing |
| 4. Bracket | | |
| A. From master cylinder secondary side | B. From master cylinder primary side | C. To front LH brake caliper |
| D. To rear RH brake caliper | E. To Rear LH brake caliper | F. To front RH brake caliper |

← Vehicle front

Refer to GI section [GI-4, "Components"](#) for symbol marks in the figure.

Removal and Installation

INFOID:000000005173850

REMOVAL

CAUTION:

- Before servicing, disconnect the battery cable from negative terminal.
- To remove brake tube, use a flare nut wrench to prevent flare nuts and brake tube from being damaged. To install, use flare nut crowfoot and torque wrench.
- Do not apply excessive impact to ABS actuator and electric unit (control unit), such as dropping it.
- Do not remove and install actuator by holding harness.
- After work is completed, bleed air from brake tube. Refer to [BR-11, "Bleeding Brake System"](#).

1. Remove hoodledge cover LH. Refer to [EXT-22, "Exploded View"](#).
2. Disconnect ABS actuator and electric unit (control unit) connector.
3. Loosen brake tube flare nuts, then remove brake tubes from ABS actuator and electric unit (control unit).
4. Remove tire (front LH side).
5. Remove fender protector (rear): (front LH side). Refer to [EXT-25, "FENDER PROTECTOR : Exploded View"](#).
6. Remove ABS actuator and electric unit (control unit) bracket mounting nuts.
7. Remove ABS actuator and electric unit (control unit) from vehicle.

M
N
O
P

ABS ACTUATOR AND ELECTRIC UNIT (CONTROL UNIT)

< REMOVAL AND INSTALLATION >

[VDC/TCS/ABS]

INSTALLATION

Note the following, and install in the reverse order of removal.

- Before servicing, disconnect the battery cable from negative terminal.
- To remove brake tube, use a flare nut wrench to prevent flare nuts and brake tube from being damaged. To install, use flare nut crowfoot and torque wrench.
- Do not apply excessive impact to ABS actuator and electric unit (control unit), such as dropping it.
- Do not remove and install actuator by holding harness.
- After work is completed, bleed air from brake tube. Refer to [BR-11. "Bleeding Brake System"](#).
- After installing harness connector in the ABS actuator and electric unit (control unit), make sure connector is securely locked.
- When replacing ABS actuator and electric unit (control unit), make sure to adjust neutral position of steering angle sensor. Refer to [BRC-9, "ADJUSTMENT OF STEERING ANGLE SENSOR NEUTRAL POSITION : Description"](#).

YAW RATE/SIDE G SENSOR

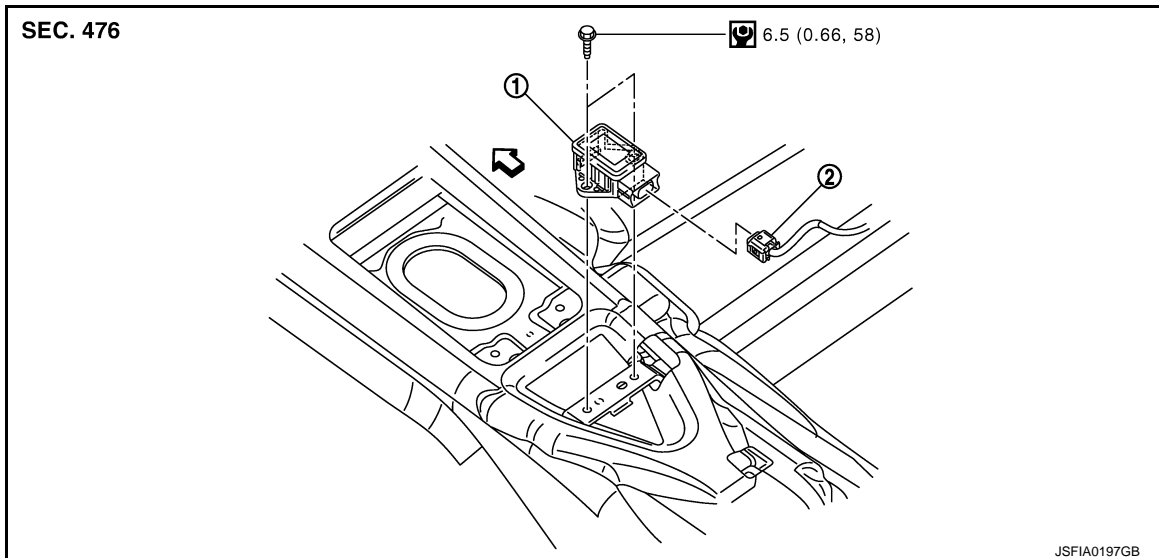
< REMOVAL AND INSTALLATION >

[VDC/TCS/ABS]

YAW RATE/SIDE G SENSOR

Exploded View

INFOID:000000005173851



1. Yaw rate/side G sensor
2. Connector

← Vehicle front

Refer to GI section [GI-4. "Components"](#) for symbol makes in the figure.

Removal and Installation

INFOID:000000005173852

REMOVAL

CAUTION:

Do not drop or strike yaw rate/side G sensor, or do not use power tool etc., because yaw rate/side G sensor is sensitive to the impact.

1. Remove center console. Refer to [IP-22. "Exploded View"](#).
2. Disconnect yaw rate/side G sensor harness connector.
3. Remove mounting bolts. Remove yaw rate/side G sensor.

INSTALLATION

Note the following, and install in the reverse order of removal.

- Do not drop or strike yaw rate/side G sensor, or do not use power tool etc., because yaw rate/side G sensor is sensitive to the impact.

A
B
C
D
E
BRC
G
H
I
J
K
L
M
N
O
P

STEERING ANGLE SENSOR

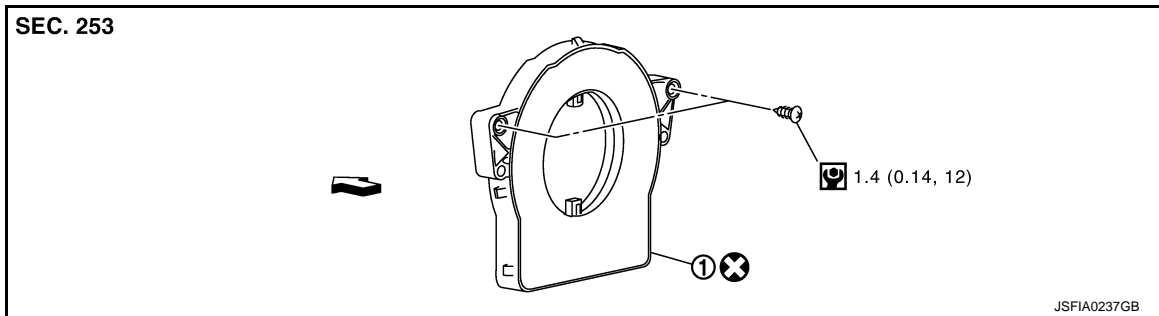
< REMOVAL AND INSTALLATION >

[VDC/TCS/ABS]

STEERING ANGLE SENSOR

Exploded View

INFOID:000000005173853



1. Steering angle sensor

↔: Vehicle front

Refer to GI section [GI-4, "Components"](#) for symbol marks in the figure.

Removal and Installation

INFOID:000000005173854

REMOVAL

1. Remove spiral cable assembly. Refer to [SR-14, "Exploded View"](#).
2. Remove steering angle sensor from spiral cable assembly.

INSTALLATION

Note the following, and install in the reverse order of removal.

- Never reuse steering angle sensor.
- When installing steering angle sensor, tighten it to the specified torque with an electric screwdriver. Be sure to tighten it completely with no floating and tilting.
- After work, make sure to adjust neutral position of steering angle sensor. Refer to [BRC-9, "ADJUSTMENT OF STEERING ANGLE SENSOR NEUTRAL POSITION : Description"](#).

SYSTEM DESCRIPTION

PREVIEW FUNCTION

System Description

INFOID:000000005173855

FUNCTION DESCRIPTION

When the Preview Function identifies the need to apply emergency braking by sensing a vehicle ahead in the same lane and the distance and relative speed from it, it applies the brake pre-pressure before the driver depress the brake pedal and helps improve brake response by reducing pedal free play.

The Preview Function shares component parts and diagnosis with the ICC (Intelligent Cruise Control) system.

CAUTION:

This system is only an aid to assist braking operation and is not a collision warning or avoidance device. It is the driver's responsibility to stay alert, drive safely and be in control of the vehicle at all times.

OPERATION DESCRIPTION

Operation

- The system detects the distance to the vehicle in front with the ICC sensor integrated unit of ICC (Full Speed Range) and judges the necessity of emergency braking.
- The system detects the accelerator pedal release operation of the driver by the accelerator pedal position sensor and estimates the driver's brake operation intention.
- If the system is judged that the emergency braking is necessary or that the driver has the intention to operate the brake it supplies the power supply to the brake booster to apply pre-pressure and adjusts the brake play.

NOTE:

This system will not operate when the vehicle is moving at approximately 32 km/h (20 MPH) or less.

End of Operation

The pre-pressure function ceases when the following conditions are met:

1. When the driver depresses the accelerator pedal or the brake pedal.
2. If the driver does not operate the accelerator pedal or brake pedal within approximately 1 second.

A
B
C
D
E
G
H
I
J
K
L
M
N
O
P

BRC

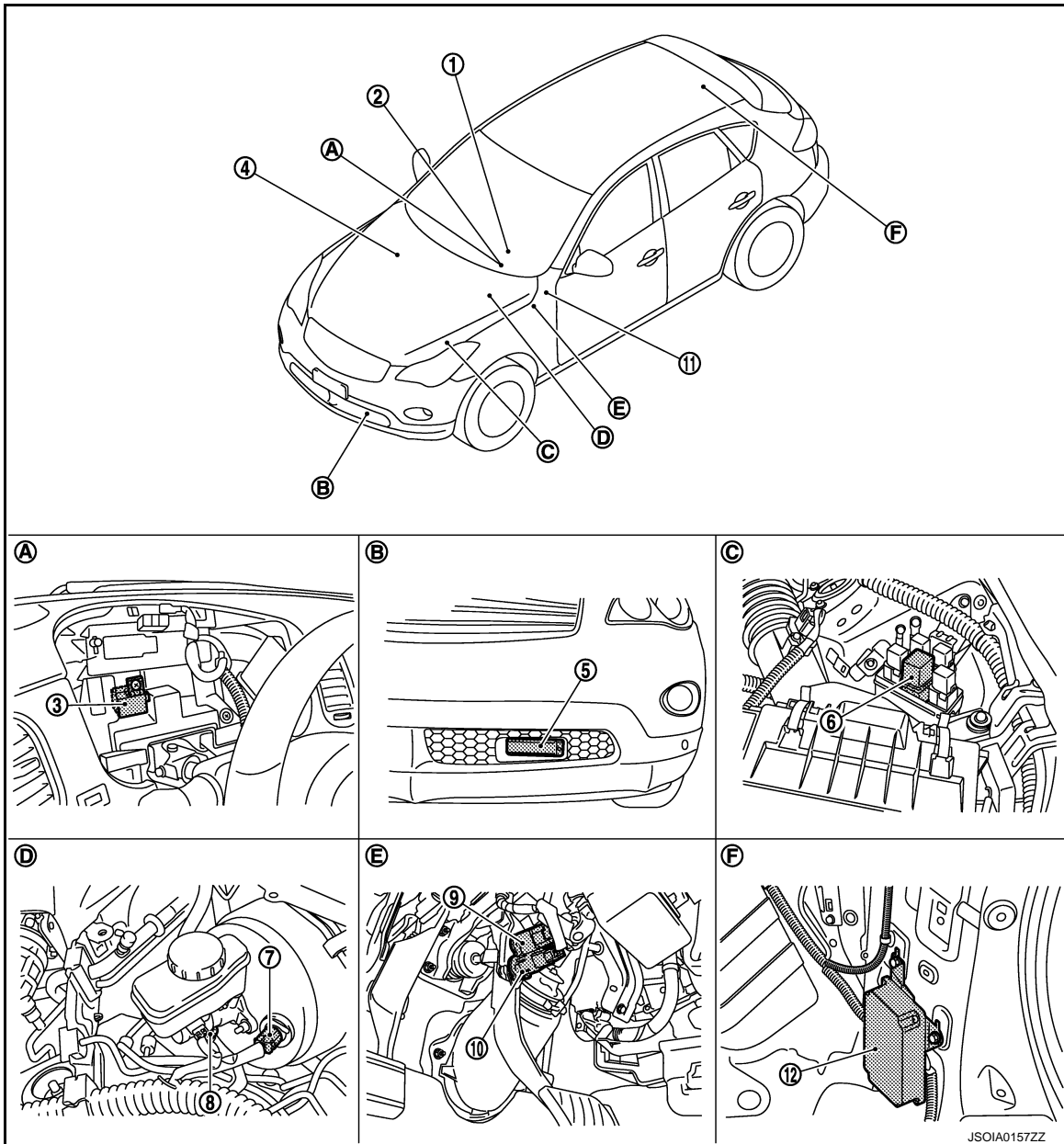
PREVIEW FUNCTION

[BRAKE ASSIST]

< SYSTEM DESCRIPTION >

Component Parts Location

INFOID:000000005525278



- | | | |
|--|---|--------------------------------|
| 1. ICC steering switch | 2. Information display, ICC system warning lamp
(On the combination meter) | 3. ICC warning chime |
| 4. ECM
Refer to EC-24. "Component Parts Location" . | 5. ICC sensor integrated unit | 6. ICC brake hold relay |
| 7. Booster solenoid/Release switch | 8. Brake pressure sensor | 9. Stop lamp switch |
| 10. ICC brake switch | 11. IBA OFF switch | 12. Brake booster control unit |
| A. Behind the combination meter | B. Front bumper (LH) | C. Engine room (LH) |
| D. Inside brake master cylinder cover | E. Upper side of brake pedal | F. Luggage room (RH) |

JSOIA0157ZZ

PREVIEW FUNCTION

< SYSTEM DESCRIPTION >

[BRAKE ASSIST]

Component Description

INFOID:00000000525279

x: Applicable

Component	Function Description			Description
	*1	*2	*3	
ICC sensor integrated unit	x	x	x	Refer to CCS-53, "Description" .
ECM	x	x	x	Refer to CCS-88, "Description" .
ABS actuator and electric unit (control unit)	x	x	x	Refer to CCS-59, "Description" .
BCM	x			Transmits the front wiper request signal to ICC sensor integrated unit via CAN communication.
TCM	x	x		Refer to CCS-129, "Description" .
Unified meter and A/C amp.	x	x	x	Receives the meter display signal, ICC warning lamp signal, and IBA OFF indicator lamp signal from ICC sensor integrated unit via CAN communication and transmits them to the combination meter via the communication line.
Combination meter	x	x	x	Performs the following operations using the signals received from the unified meter and A/C amp. via the communication line. <ul style="list-style-type: none"> • Displays the ICC system operation status using the meter display signal. • Illuminates the ICC system warning lamp using the ICC warning lamp signal. • Illuminates the IBA OFF indicator lamp using the IBA OFF indicator lamp signal.
ICC brake switch	x	x	x	Refer to CCS-61, "Description" .
Stop lamp switch	x	x	x	
ICC brake hold relay	x		x	Refer to CCS-81, "Description" .
Brake booster control unit	x	x	x	Refer to CCS-99, "Description" .
Brake booster	x		x	Refer to CCS-99, "Description" .
Brake pressure sensor	x		x	Refer to CCS-69, "Description" .
Booster solenoid/Release switch	x		x	<ul style="list-style-type: none"> • Refer to CCS-71, "Description" for booster solenoid. • Refer to CCS-74, "Description" for release switch.
ICC warning chime	x	x	x	Refer to CCS-142, "Description" .
Steering angle sensor	x			Refer to CCS-123, "Description" .
IBA OFF switch			x ^{NOTE}	Refer to CCS-118, "Description" .

*1: Vehicle-to-vehicle distance control mode

*2: Conventional (fixed speed) cruise control mode

*3: IBA system and Brake Assist (With Preview Function)

NOTE:

Only IBA system uses

A
B
C
D
E
BRC
G
H
I
J
K
L
M
N
O
P

DTC/CIRCUIT DIAGNOSIS

PREVIEW FUNCTION

Diagnosis Procedure

INFOID:000000005173858

1. BRAKE ASSIST (PREVIEW FUNCTION) DIAGNOSIS

When the preview function is not operating properly, the buzzer sounds and the preview function warning lamp will come on.

NOTE:

The preview function warning lamp shares the ICC system warning lamp.

>> Go to ICC (Full Speed Range). Refer to [CCS-11. "Work Flow"](#).

SYMPTOM DIAGNOSIS

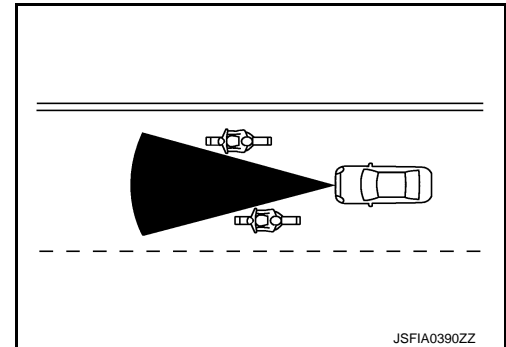
NORMAL OPERATING CONDITION

Description

INFOID:000000005173859

PRECAUTIONS FOR PREVIEW FUNCTION

- This system is only an aid to assist braking operation and is not a collision warning or avoidance device. It is the driver's responsibility to stay alert, drive safely and be in control of the vehicle at all times.
- As there is a performance limit to the Preview Function, never rely solely on this system. This system does not correct careless inattentive or absent-minded driving, or overcome poor visibility in rain, fog, or other bad weather. Reduce vehicle speed by depressing the brake, in order to maintain a safe distance between vehicles.
- The system may not detect a vehicle ahead, depending on road or weather conditions. While the vehicle still travels and the Brake Assist System operates under normal conditions, the Preview Function may operate improperly under the following conditions:
 - When rain, snow or dirt adhere to the system sensor
 - When strong light (for example, at sunrise or sunset) is directly shining on the front of the vehicle
 - Winding or hilly roads may cause the sensor to temporarily not detect a vehicle in the same lane or may detect objects or vehicles in other lanes.
 - Vehicle position in the lane may cause the sensor to temporarily not detect a vehicle in the same lane or may detect objects or vehicles in other lanes.
- The system will not detect:
 - Pedestrians or objects in the roadway
 - Oncoming vehicles in the same lane
 - Motorcycles traveling offset in the travel lane as illustrated
- When the Preview Function operates, the brake pedal may move slightly and may make a small noise. This is not a system malfunction.



A
B
C
D
E
G
H
I
J
K
L
M
N
O
P

BRC

PRECAUTION

PRECAUTIONS

Precautions for Preview Function Service

INFOID:000000005173860

- Never look straight into the laser beam discharger when adjusting laser beam aiming.
- Never use the ICC sensor integrated unit removed from vehicle. Never disassemble or remodel.

SYSTEM DESCRIPTION

INTELLIGENT BRAKE ASSIST

System Description

INFOID:000000005173861

FUNCTION DESCRIPTION

Intelligent Brake Assist (IBA) system warns the driver by a warning lamp and chime when there is a risk of a collision with the vehicle ahead in the traveling lane and the driver must take avoidance action immediately. The system helps reduce the rear-end collision speed by applying the brakes when it judges a collision can not be avoided.

CAUTION:

The IBA system is a not collision avoidance system. It is the driver's responsibility to stay alert, drive safely and be in control of the vehicle at all times. As there is a performance limit, it may not provide a warning or brake in certain conditions.

NOTE:

- The IBA system shares component parts and diagnosis with the ICC (Intelligent Cruise Control) system. New parts added to the IBA system is the IBA OFF indicator lamp in the combination meter and the IBA OFF switch on the inside instrument driver lower panel.
- The ICC sensor integrated unit shares the parts with the ICC, but the IBA system will operate even when the ICC system is turned to OFF.

OPERATION DESCRIPTION

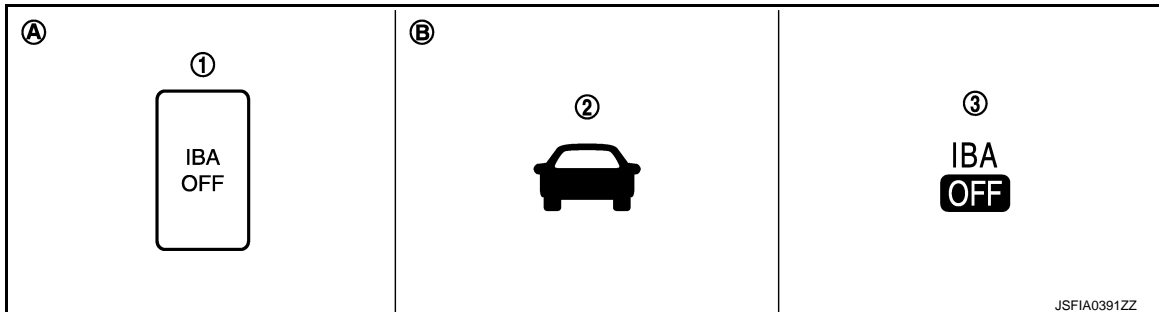
The IBA system uses a distance sensor located below the front bumper to measure the distance to a vehicle ahead. When the system judges that the distance gets shorter, the vehicle ahead detection indicator lamp on the combination meter blinks and the warning chime sounds.

To turn the system off/on, push and hold the IBA OFF switch after starting the engine for more than 1 second.

NOTE:

- The system on/off condition will be memorized even if the ignition switch turns OFF.
- The IBA system operates under the following conditions.
 - The IBA system will function when the vehicle is driven at speeds of approximately 15 km/h (10 MPH) and above, and when the vehicle's speed is approximately 15 km/h (10 MPH) faster than that of the vehicle ahead.

Switch and Indicators




1. IBA OFF switch
 2. Vehicle ahead detection indicator lamp
 3. IBA OFF indicator lamp
- a. IBA OFF indicator lamp b. On the combination meter

Fail-safe Indication

INTELLIGENT BRAKE ASSIST

< SYSTEM DESCRIPTION >

[INTELLIGENT BRAKE ASSIST]

Condition	Description	Indication on the combination meter
<ul style="list-style-type: none"> When the sensor window is dirty When the system malfunction 	The system will be cancelled automatically with a beep sound.	
When driving into a strong light (i.e. sunlight)	The system is temporary unavailable. (Without the warning chime)	

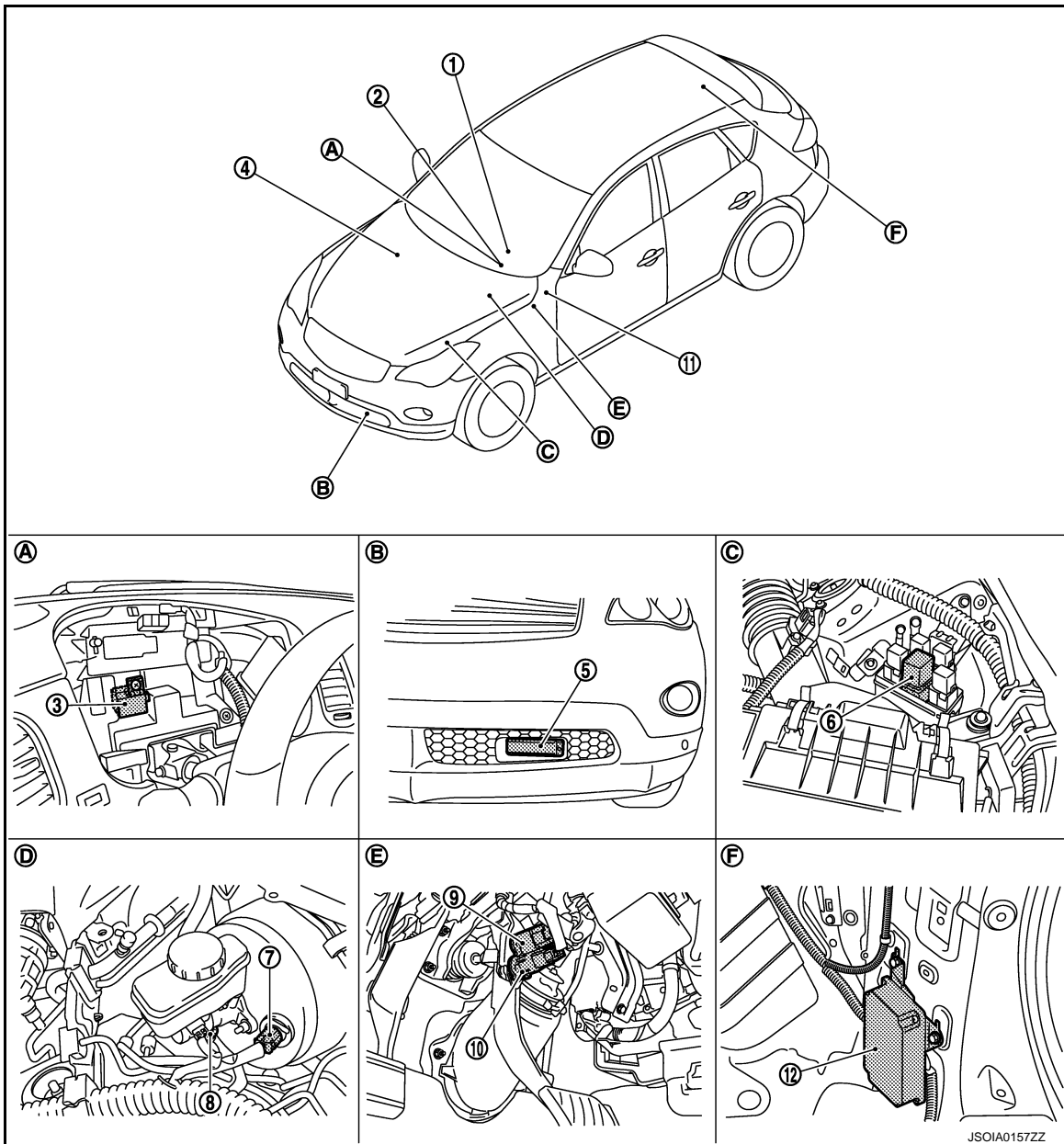
JSFIA0392ZZ

NOTE:

When the IBA turns off, the IBA OFF indicator lamp will illuminate.

Component Parts Location

INFOID:000000005525280



JSOIA0157ZZ

INTELLIGENT BRAKE ASSIST

< SYSTEM DESCRIPTION >

[INTELLIGENT BRAKE ASSIST]

- | | | |
|--|---|--------------------------------|
| 1. ICC steering switch | 2. Information display, ICC system warning lamp
(On the combination meter) | 3. ICC warning chime |
| 4. ECM
Refer to EC-24, "Component Parts Location" . | 5. ICC sensor integrated unit | 6. ICC brake hold relay |
| 7. Booster solenoid/Release switch | 8. Brake pressure sensor | 9. Stop lamp switch |
| 10. ICC brake switch | 11. IBA OFF switch | 12. Brake booster control unit |
| A. Behind the combination meter | B. Front bumper (LH) | C. Engine room (LH) |
| D. Inside brake master cylinder cover | E. Upper side of brake pedal | F. Luggage room (RH) |

A
B
C
D
E

Component Description

INFOID:000000005525281

x: Applicable

Component	Function Description			Description
	*1	*2	*3	
ICC sensor integrated unit	x	x	x	Refer to CCS-53, "Description" .
ECM	x	x	x	Refer to CCS-88, "Description" .
ABS actuator and electric unit (control unit)	x	x	x	Refer to CCS-59, "Description" .
BCM	x			Transmits the front wiper request signal to ICC sensor integrated unit via CAN communication.
TCM	x	x		Refer to CCS-129, "Description" .
Unified meter and A/C amp.	x	x	x	Receives the meter display signal, ICC warning lamp signal, and IBA OFF indicator lamp signal from ICC sensor integrated unit via CAN communication and transmits them to the combination meter via the communication line.
Combination meter	x	x	x	Performs the following operations using the signals received from the unified meter and A/C amp. via the communication line. <ul style="list-style-type: none"> Displays the ICC system operation status using the meter display signal. Illuminates the ICC system warning lamp using the ICC warning lamp signal. Illuminates the IBA OFF indicator lamp using the IBA OFF indicator lamp signal.
ICC brake switch	x	x	x	Refer to CCS-61, "Description" .
Stop lamp switch	x	x	x	
ICC brake hold relay	x		x	Refer to CCS-81, "Description" .
Brake booster control unit	x	x	x	Refer to CCS-99, "Description" .
Brake booster	x		x	Refer to CCS-99, "Description" .
Brake pressure sensor	x		x	Refer to CCS-69, "Description" .
Booster solenoid/Release switch	x		x	<ul style="list-style-type: none"> Refer to CCS-71, "Description" for booster solenoid. Refer to CCS-74, "Description" for release switch.
ICC warning chime	x	x	x	Refer to CCS-142, "Description" .
Steering angle sensor	x			Refer to CCS-123, "Description" .
IBA OFF switch			x ^{NOTE}	Refer to CCS-118, "Description" .

BRC

G
H
I
J
K
L
M
N
O
P

*1: Vehicle-to-vehicle distance control mode
 *2: Conventional (fixed speed) cruise control mode
 *3: IBA system and Brake Assist (With Preview Function)

NOTE:
 Only IBA system uses

DTC/CIRCUIT DIAGNOSIS

INTELLIGENT BRAKE ASSIST

Diagnosis Procedure

INFOID:000000005173864

1. INTELLIGENT BRAKE ASSIST DIAGNOSIS

- The system will be cancelled automatically with a beep sound and IBA OFF indicator lamp on the combination meter will illuminate, when the system will not operate properly.
- When the IBA OFF indicator lamp continues to illuminate even if the IBA system is turned on after the engine restarts, perform the trouble-diagnosis.

NOTE:

IBA system automatically returns to ON, when erasing self-diagnosis result for "ICC" with CONSULT-III.

>> Go to ICC (Full Speed Range). Refer to [CCS-11, "Work Flow"](#).

SWITCH DOES NOT TURN ON / SWITCH DOES NOT TURN OFF

< SYMPTOM DIAGNOSIS >

[INTELLIGENT BRAKE ASSIST]

SYMPTOM DIAGNOSIS

SWITCH DOES NOT TURN ON / SWITCH DOES NOT TURN OFF

Symptom Table

INFOID:000000005567732

CAUTION:

Perform the self-diagnosis with CONSULT-III before the symptom diagnosis. Perform the trouble diagnosis if any DTC is detected.

Symptom		Inspection item/Reference page
IBA system does not turn on/off	IBA OFF indicator lamp is not turned on⇔off when operating IBA OFF switch	BRC-123, "Diagnosis Procedure"

Description

INFOID:000000005567733

IBA system does not turn on/off.

- IBA OFF indicator lamp does not illuminate even if the IBA OFF switch is depressed when IBA OFF indicator lamp is not illuminated.
- IBA OFF indicator lamp does not turn off even if the IBA OFF switch is depressed when IBA OFF indicator lamp is illuminated.

NOTE:

- To turn the system off⇔on, push and hold the IBA OFF switch after starting the engine for more than 1 second.
- The system on/off condition will be memorized even if the ignition switch turns OFF.

Diagnosis Procedure

INFOID:000000005567734

1. PERFORM THE SELF-DIAGNOSIS

1. Perform "All DTC Reading" with CONSULT-III.
2. Check if the DTC is detected in self-diagnosis results for "ICC" with CONSULT-III. Refer to [CCS-158, "DTC Index"](#).

Is any DTC detected?

- YES >> GO TO 6.
- NO >> GO TO 2.

2. IBA OFF SWITCH INSPECTION

1. Start the engine.
2. Check that "IBA SW" operates normally in "DATA MONITOR" for "ICC" with CONSULT-III.

Is the inspection result normal?

- YES >> GO TO 3.
- NO >> GO TO 5.

3. CHECK IBA OFF INDICATOR CIRCUIT

1. Start the engine.
2. Select the active test item "METER LAMP" for "ICC" with CONSULT-III.
3. Check if the IBA OFF indicator lamp illuminates when the test item is operated.

Is the inspection result normal?

- YES >> Refer to [GI-33, "Work Flow"](#).
- NO >> GO TO 4.

4. CHECK DATA MONITOR OF "UNIFIED METER AND A/C AMP."

Check that "BA W/L" operates normally in "DATA MONITOR" for "METER/M&A" with CONSULT-III, when the IBA OFF switch is pushed and hold for more than 1 second.

Is the inspection result normal?

- YES >> Replace the combination meter. Refer to [MWI-130, "Exploded View"](#).
- NO >> Replace the unified meter and A/C amp. Refer to [MWI-131, "Exploded View"](#).

A
B
C
D
E
G
H
I
J
K
L
M
N
O
P

BRC

SWITCH DOES NOT TURN ON / SWITCH DOES NOT TURN OFF

< SYMPTOM DIAGNOSIS >

[INTELLIGENT BRAKE ASSIST]

5.CHECK IBA OFF SWITCH

Check IBA OFF switch. Refer to [CCS-119. "Component Inspection \(IBA OFF Switch\)".](#)

Is the inspection result normal?

YES >> GO TO 7.

NO >> GO TO 6.

6.REPAIR OR REPLACE MALFUNCTIONING PARTS

Repair or replace malfunctioning parts.

>> GO TO 7.

7.CHECK IBA SYSTEM

Check that IBA OFF indicator lamp turned on⇔off, when operating IBA OFF switch.

>> INSPECTION END

NORMAL OPERATING CONDITION

< SYMPTOM DIAGNOSIS >

[INTELLIGENT BRAKE ASSIST]

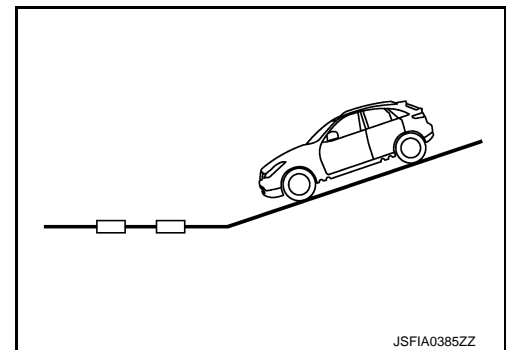
NORMAL OPERATING CONDITION

Description

INFOID:000000005173865

PRECAUTIONS FOR INTELLIGENT BRAKE ASSIST

- The IBA system is a not collision avoidance system. It is the driver's responsibility to stay alert, drive safely and be in control of the vehicle at all times.
- As there is a performance limit, it may not provide a warning or brake in certain conditions.
- The system will not detect the following objects:
 - Pedestrians, animals, or obstacles in the roadway
 - Oncoming vehicles in the same lane
- The system will not detect under the following conditions:
 - When the sensor gets dirty and it is impossible to detect the distance from the vehicle ahead.
 - When driving into a strong light (i.e. sunlight)
- The sensor generally detects the signals returned from the reflectors on a vehicle ahead. Therefore, the system may not function properly under the following conditions:
 - When the reflectors of the vehicle ahead are positioned high or close each other (including a small vehicle such as motorcycles).
 - When the sensor gets dirty or and it is impossible to detect the distance from the vehicle ahead.
 - When the reflectors on the vehicle ahead is missing, damaged or covered.
 - When the reflector of the vehicle ahead is covered with dirt, snow and road spray.
 - When visibility is low (such as rain, fog, snow, etc.).
 - When snow or road spray from traveling vehicles are raised up.
 - When dense exhaust or other smoke (black smoke) from vehicles reduces the sensor visibility.
 - When excessively heavy baggage is loaded in the rear seat or the luggage room of vehicle.
 - When abruptly accelerating or decelerating.
 - On steep downhill or roads with sharp curves.
 - When there is a highly reflective object near the vehicle ahead (ie,) very close to other vehicle, signboard, etc.
 - While towing a trailer.
- Depending on certain road conditions (curved, beginning of a curve), vehicle conditions (steering position, vehicle position), or preceding vehicle's conditions (position in lane, etc.), the system may not function properly.
- The system may not function in offset conditions.
- The system may not function when the distance to the vehicle ahead is extremely close.
- The system detect highly reflective objects such as reflectors, signs, white markers, and other stationary objects on the road or near the traveling lane, and when in extreme conditions, detection of these objects may cause the system to function.
- The system is designed to automatically check the sensor's functionality. If the sensor is covered with ice, a transparent or translucent plastic bag, etc., the system may not detect them. In these instances the system may not be able to warn properly. Be sure to check and clean the sensor regularly.
- Excessive noise will interfere with the warning chime sound, and the chime may not be heard.
- Never step in under the brake pedal to avoid an accident when IBA system turns on.
- Sudden appearance of the vehicle in front (ie, it abruptly cuts in) may not be detected and the system may not warn soon enough.
- The system will be cancelled automatically with a beep sound and the IBA OFF indicator lamp will illuminate under the following conditions:
 - When the sensor window is dirty
 - When the system malfunctions



< PRECAUTION >

PRECAUTION

PRECAUTIONS

Precautions for IBA System Service

INFOID:000000005173866

- Never look straight into the laser beam discharger when adjusting laser beam aiming.
- Turn the IBA system OFF in conditions similar to driving, such as free rollers or a chassis dynamometer.
- Never use the ICC sensor integrated unit removed from vehicle. Never disassemble or remodel.
- Erase DTC when replacing parts of ICC system. Then check the operation of ICC system after adjusting laser beam aiming if necessary.
- Never change IBA system state ON/OFF without the consent of the customer.

NOTE:

IBA system automatically returns to ON, when erasing self-diagnosis result for “ICC” with CONSUL-III.

REMOVAL AND INSTALLATION

IBA OFF SWITCH

Removal and Installation

INFOID:000000005173867

REMOVAL

1. Remove glove box assembly Refer to [JP-11, "Exploded View"](#).
2. Disengage the pawl. Then remove IBA OFF switch.

INSTALLATION

Install in the reverse order of removal.

A
B
C
D
E
G
H
I
J
K
L
M
N
O
P

BRC