

A  
B  
C

# WT

## SECTION

### ROAD WHEELS & TIRES

WT

## CONTENTS

<p><b>PRECAUTION</b> ..... 3</p> <p><b>PRECAUTIONS</b> ..... 3</p> <p style="padding-left: 20px;">Precaution for Supplemental Restraint System (SRS) "AIR BAG" and "SEAT BELT PRE-TENSIONER" .....3</p> <p style="padding-left: 20px;">Service Notice and Precautions .....3</p> <p><b>PREPARATION</b> ..... 4</p> <p><b>PREPARATION</b> ..... 4</p> <p style="padding-left: 20px;">Special Service Tool .....4</p> <p style="padding-left: 20px;">Commercial Service Tool .....4</p> <p><b>SYSTEM DESCRIPTION</b> ..... 5</p> <p><b>COMPONENT PARTS</b> ..... 5</p> <p style="padding-left: 20px;">Component Parts Location .....5</p> <p style="padding-left: 20px;">Component Description .....5</p> <p style="padding-left: 20px;">BCM .....5</p> <p style="padding-left: 20px;">Tire pressure sensor .....6</p> <p style="padding-left: 20px;">Tire pressure receiver .....6</p> <p style="padding-left: 20px;">Information Display .....6</p> <p><b>SYSTEM</b> ..... 7</p> <p><b>TIRE PRESSURE MONITORING SYSTEM</b> .....7</p> <p style="padding-left: 20px;">TIRE PRESSURE MONITORING SYSTEM : System Description .....7</p> <p><b>DIAGNOSIS SYSTEM (BCM)</b> ..... 8</p> <p><b>COMMON ITEM</b> .....8</p> <p style="padding-left: 20px;">COMMON ITEM : CONSULT Function (BCM - COMMON ITEM) .....8</p> <p><b>AIR PRESSURE MONITOR</b> .....9</p> <p style="padding-left: 20px;">AIR PRESSURE MONITOR : CONSULT Function (BCM - AIR PRESSURE MONITOR) .....9</p> <p><b>ECU DIAGNOSIS INFORMATION</b> .....11</p>	<p><b>BCM</b> .....11</p> <p style="padding-left: 20px;">List of ECU Reference .....11</p> <p><b>WIRING DIAGRAM</b> .....12</p> <p><b>TIRE PRESSURE MONITORING SYSTEM</b> .....12</p> <p style="padding-left: 20px;">Wiring Diagram .....12</p> <p><b>BASIC INSPECTION</b> .....17</p> <p><b>DIAGNOSIS AND REPAIR WORK FLOW</b> .....17</p> <p style="padding-left: 20px;">Work Flow .....17</p> <p><b>ADDITIONAL SERVICE WHEN REPLACING BCM</b> .....19</p> <p style="padding-left: 20px;">Description .....19</p> <p style="padding-left: 20px;">Work Procedure .....19</p> <p><b>TIRE PRESSURE SENSOR WAKE UP OPERATION</b> .....20</p> <p style="padding-left: 20px;">Description .....20</p> <p style="padding-left: 20px;">Work Procedure .....20</p> <p><b>ID REGISTRATION</b> .....21</p> <p style="padding-left: 20px;">Description .....21</p> <p style="padding-left: 20px;">Work Procedure .....21</p> <p><b>DTC/CIRCUIT DIAGNOSIS</b> .....23</p> <p><b>C1704, C1705, C1706, C1707 LOW TIRE PRESSURE</b> .....23</p> <p style="padding-left: 20px;">Description .....23</p> <p style="padding-left: 20px;">DTC Logic .....23</p> <p style="padding-left: 20px;">Diagnosis Procedure .....23</p> <p style="padding-left: 20px;">Special Repair Requirement .....24</p> <p><b>C1708, C1709, C1710, C1711 TIRE PRESSURE SENSOR</b> .....25</p> <p style="padding-left: 20px;">DTC Logic .....25</p> <p style="padding-left: 20px;">Diagnosis Procedure .....25</p> <p style="padding-left: 20px;">Special Repair Requirement .....27</p>	<p>F</p> <p>G</p> <p>H</p> <p>I</p> <p>J</p> <p>K</p> <p>L</p> <p>M</p> <p>N</p> <p>O</p> <p>P</p>
--	--	--

<b>C1716, C1717, C1718, C1719 TIRE PRES- SURE SENSOR</b> .....	<b>28</b>	<b>LOW TIRE PRESSURE WARNING LAMP BLINKS</b> .....	<b>43</b>
DTC Logic .....	28	Description .....	43
Diagnosis Procedure .....	28	Diagnosis Procedure .....	43
Special Repair Requirement .....	29	<b>ID REGISTRATION CANNOT BE COMPLET- ED</b> .....	<b>44</b>
<b>C1729 VEHICLE SPEED SIGNAL</b> .....	<b>30</b>	Description .....	44
Description .....	30	Diagnosis Procedure .....	44
DTC Logic .....	30	<b>NOISE, VIBRATION AND HARSHNESS (NVH) TROUBLESHOOTING</b> .....	<b>45</b>
Diagnosis Procedure .....	30	NVH Troubleshooting Chart .....	45
Special Repair Requirement .....	30	<b>PERIODIC MAINTENANCE</b> .....	<b>46</b>
<b>C1734 BCM</b> .....	<b>32</b>	<b>ROAD WHEEL</b> .....	<b>46</b>
DTC Logic .....	32	Adjustment .....	46
Diagnosis Procedure .....	32	<b>REMOVAL AND INSTALLATION</b> .....	<b>48</b>
Special Repair Requirement .....	33	<b>ROAD WHEEL TIRE ASSEMBLY</b> .....	<b>48</b>
<b>TIRE PRESSURE RECEIVER</b> .....	<b>34</b>	Exploded View .....	48
Component Function Check .....	34	Removal and Installation .....	48
Diagnosis Procedure .....	34	Inspection .....	48
<b>LOW TIRE PRESSURE WARNING LAMP</b> .....	<b>36</b>	<b>TIRE PRESSURE SENSOR</b> .....	<b>50</b>
Component Function Check .....	36	Exploded View .....	50
Diagnosis Procedure .....	36	Removal and Installation .....	50
<b>POWER SUPPLY AND GROUND CIRCUIT</b> ....	<b>37</b>	<b>TIRE PRESSURE RECEIVER</b> .....	<b>52</b>
Diagnosis Procedure .....	37	Removal and Installation .....	52
<b>SYMPTOM DIAGNOSIS</b> .....	<b>38</b>	<b>SERVICE DATA AND SPECIFICATIONS (SDS)</b> .....	<b>53</b>
<b>TPMS</b> .....	<b>38</b>	<b>SERVICE DATA AND SPECIFICATIONS (SDS)</b> .....	<b>53</b>
Symptom Table .....	38	Road Wheel .....	53
<b>LOW TIRE PRESSURE WARNING LAMP DOES NOT TURN ON</b> .....	<b>41</b>	Tire Air Pressure .....	53
Description .....	41		
Diagnosis Procedure .....	41		
<b>LOW TIRE PRESSURE WARNING LAMP DOES NOT TURN OFF</b> .....	<b>42</b>		
Description .....	42		
Diagnosis Procedure .....	42		

# PRECAUTIONS

< PRECAUTION >

## PRECAUTION

### PRECAUTIONS

#### Precaution for Supplemental Restraint System (SRS) "AIR BAG" and "SEAT BELT PRE-TENSIONER"

INFOID:000000007459300

The Supplemental Restraint System such as "AIR BAG" and "SEAT BELT PRE-TENSIONER", used along with a front seat belt, helps to reduce the risk or severity of injury to the driver and front passenger for certain types of collision. This system includes seat belt switch inputs and dual stage front air bag modules. The SRS system uses the seat belt switches to determine the front air bag deployment, and may only deploy one front air bag, depending on the severity of a collision and whether the front occupants are belted or unbelted. Information necessary to service the system safely is included in the "SRS AIR BAG" and "SEAT BELT" of this Service Manual.

#### **WARNING:**

Always observe the following items for preventing accidental activation.

- To avoid rendering the SRS inoperative, which could increase the risk of personal injury or death in the event of a collision that would result in air bag inflation, all maintenance must be performed by an authorized NISSAN/INFINITI dealer.
- Improper maintenance, including incorrect removal and installation of the SRS, can lead to personal injury caused by unintentional activation of the system. For removal of Spiral Cable and Air Bag Module, see "SRS AIR BAG".
- Never use electrical test equipment on any circuit related to the SRS unless instructed to in this Service Manual. SRS wiring harnesses can be identified by yellow and/or orange harnesses or harness connectors.

#### PRECAUTIONS WHEN USING POWER TOOLS (AIR OR ELECTRIC) AND HAMMERS

#### **WARNING:**

Always observe the following items for preventing accidental activation.

- When working near the Air Bag Diagnosis Sensor Unit or other Air Bag System sensors with the ignition ON or engine running, never use air or electric power tools or strike near the sensor(s) with a hammer. Heavy vibration could activate the sensor(s) and deploy the air bag(s), possibly causing serious injury.
- When using air or electric power tools or hammers, always switch the ignition OFF, disconnect the battery, and wait at least 3 minutes before performing any service.

#### Service Notice and Precautions

INFOID:000000007459301

- Low tire pressure warning lamp blinks for 1min, then turns ON when occurring any malfunction except low tire pressure. Delete the memory with CONSULT, or register the ID to turn low tire pressure warning lamp OFF. Refer to [WT-9, "AIR PRESSURE MONITOR : CONSULT Function \(BCM - AIR PRESSURE MONITOR\)"](#), [WT-21, "Work Procedure"](#).
- ID registration is required when replacing or rotating wheels, replacing tire pressure sensor or BCM. Refer to [BCS-92, "Exploded View"](#).
- Replace grommet seal, valve core and cap of tire pressure sensor in TPMS every tire replacement by reaching wear limit of tire. Refer to [WT-50, "Exploded View"](#).

# PREPARATION

< PREPARATION >

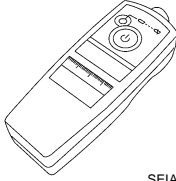
## PREPARATION

### PREPARATION

#### Special Service Tool

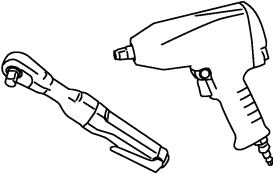
INFOID:000000007459302

The actual shapes of Kent-Moore tools may differ from those of special service tools illustrated here.

Tool number (Kent-Moore No.) Tool name	Description
- (J-45295) Tire pressure sensor activation tool  SEIA0462E	ID registration

#### Commercial Service Tool

INFOID:000000007459303

Tool name	Description
Power tool  PBIC0190E	Loosening wheel nuts

# COMPONENT PARTS

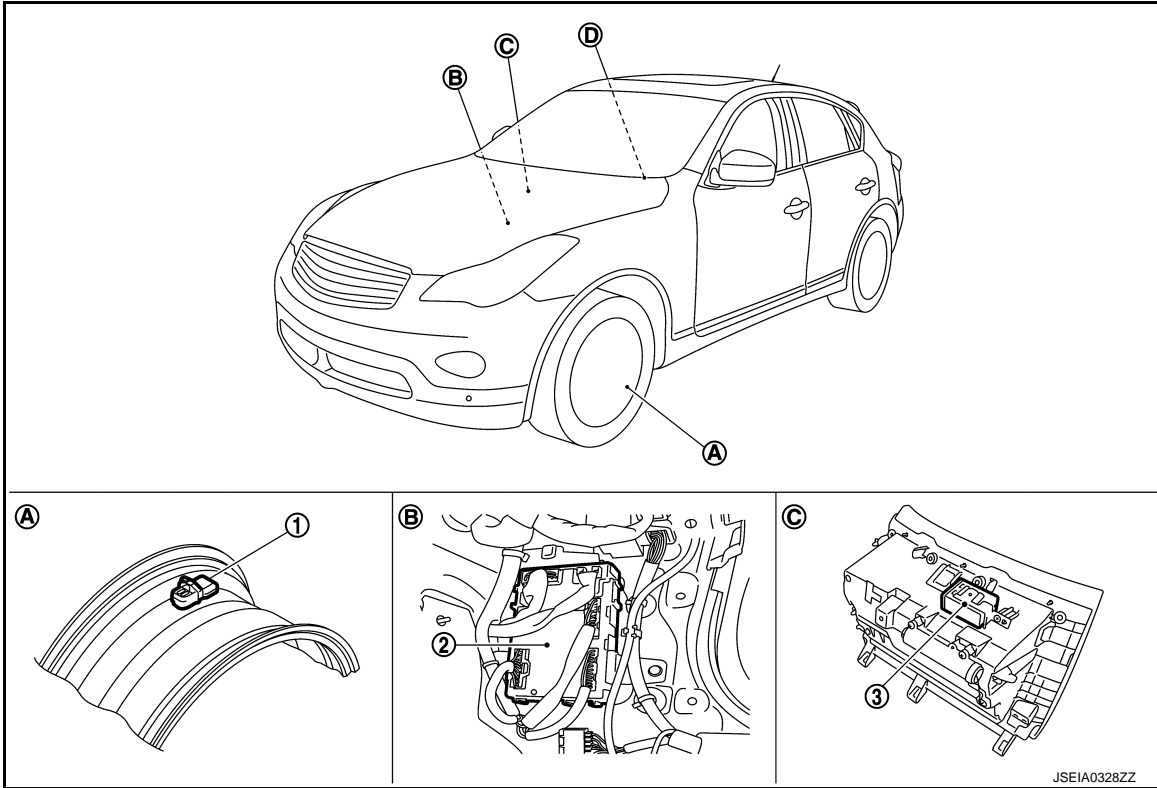
< SYSTEM DESCRIPTION >

## SYSTEM DESCRIPTION

### COMPONENT PARTS

#### Component Parts Location

INFOID:000000007459304



- |   |                                     |                              |
|---|-------------------------------------|------------------------------|
| 1. Tire pressure sensor   | 2. BCM                              | 3. Tire pressure receiver    |
| A. Wheel  | B. Dash side lower (passenger side) | C. Instrument lower panel RH |
| D. Low tire pressure warning lamp, information display (In combination meter) |                                     |                              |

#### Component Description

INFOID:000000007459305

Component parts	Function
BCM (Body Control Module)	<a href="#">WT-5, "BCM"</a> .
Tire pressure sensor	<a href="#">WT-6, "Tire pressure sensor"</a> .
Tire pressure receiver	<a href="#">WT-6, "Tire pressure receiver"</a> .
Turn signal lamp	ID registration of each wheel has been completed, turn signal lamp flashes.
Unified meter and A/C amp.	Transmits the vehicle speed signal via CAN communication to BCM.
	Receives the following signals via CAN communication for BCM. <ul style="list-style-type: none"> <li>• Low tire pressure warning lamp signal</li> <li>• TPMS malfunction warning lamp signal</li> </ul>
Low tire pressure warning lamp	<a href="#">WT-7, "TIRE PRESSURE MONITORING SYSTEM : System Description"</a>
Information display	<a href="#">WT-6, "Information Display"</a>

#### BCM

INFOID:000000007459306

The BCM reads the air pressure signal received by the tire pressure receiver, and controls the low tire pressure warning lamp and the buzzer operations. It also has a judgment function to detect a system malfunction.

## COMPONENT PARTS

### < SYSTEM DESCRIPTION >

#### Tire pressure sensor

INFOID:000000007459307

The tire pressure sensor integrated with a valve is installed on a wheel, and transmits a detected air pressure signal by radio wave.

#### Tire pressure receiver

INFOID:000000007459308

The tire pressure receiver receives the air pressure signal transmitted by the tire pressure sensor in each wheel.

#### Information Display

INFOID:000000007459309

The vehicle information display is shown when a low tire pressure warning lamp signal is transmitted from BCM to Unified meter and A/C amp. via CAN communication.

Condition	Vehicle information display
Ignition switch OFF	Non-indication
Low tire pressure	Indication

# SYSTEM

< SYSTEM DESCRIPTION >

## SYSTEM

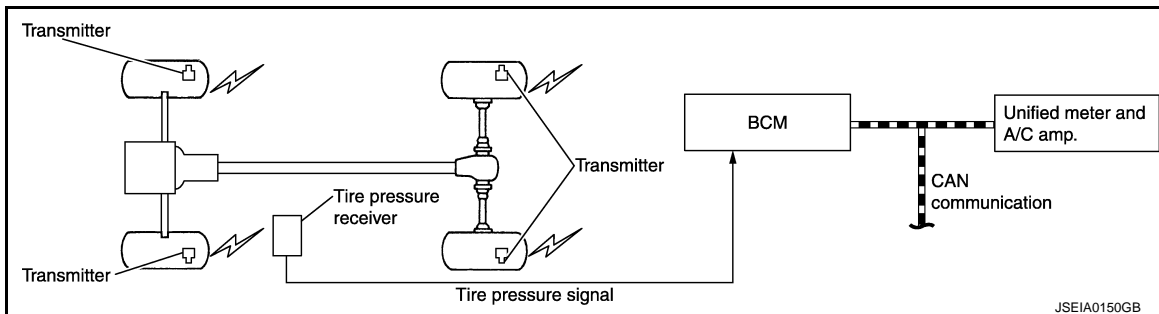
### TIRE PRESSURE MONITORING SYSTEM

#### TIRE PRESSURE MONITORING SYSTEM : System Description

INFOID:000000007459310

During driving, the TPMS (Tire Pressure Monitoring System) receives the signal transmitted from tire pressure sensor installed in each wheel. The BCM (Body Control Module) of this system has pressure judgment and trouble diagnosis functions. When the tire pressure monitoring system detects low inflation pressure or another unusual symptom, the low tire pressure warning lamps in the unified meter and A/C amp. comes on.

#### SYSTEM DIAGRAM



#### INPUT/OUTPUT SIGNAL

The signal transmission/reception between units via a communication line is mainly as listed in the following table.

Component parts	Signal item
BCM	Transmits the following signals via CAN communication to unified meter and A/C amp. <ul style="list-style-type: none"> <li>• TPMS malfunction warning lamp signal</li> <li>• Low tire pressure warning lamp signal</li> </ul>
Unified meter and A/C amp.	Transmits the vehicle speed signal via CAN communication to BCM.

#### LOW TIRE PRESSURE WARNING LAMP INDICATION CONDITION

Uses CAN communication from the BCM to illuminate the low tire pressure warning lamp on the unified meter and A/C amp.

Condition	Low tire pressure warning lamp
Ignition switch OFF	OFF
Ignition switch ON (system normal)	Warning lamp turns on for 1second, then turns off.
Low tire pressure	ON
Tire pressure sensor ID not registered in BCM.	
Tire pressure monitoring system malfunction (Other diagnostic item)	Warning lamp blinks 1 min, then turns on.
Tire pressure sensor is in OFF state	Blink (Blinking pattern depends on the positions of non-operational tire pressure sensors.)

# DIAGNOSIS SYSTEM (BCM)

< SYSTEM DESCRIPTION >

## DIAGNOSIS SYSTEM (BCM)

### COMMON ITEM

#### COMMON ITEM : CONSULT Function (BCM - COMMON ITEM)

INFOID:000000007687417

#### APPLICATION ITEM

CONSULT performs the following functions via CAN communication with BCM.

Diagnosis mode	Function Description
Work Support	Changes the setting for each system function.
Self Diagnostic Result	Displays the diagnosis results judged by BCM.
CAN Diag Support Monitor	Monitors the reception status of CAN communication viewed from BCM.
Data Monitor	The BCM input/output signals are displayed.
Active Test	The signals used to activate each device are forcibly supplied from BCM.
Ecu Identification	The BCM part number is displayed.
Configuration	<ul style="list-style-type: none"> <li>Read and save the vehicle specification.</li> <li>Write the vehicle specification when replacing BCM.</li> </ul>

#### SYSTEM APPLICATION

BCM can perform the following functions for each system.

#### NOTE:

It can perform the diagnosis modes except the following for all sub system selection items.

×: Applicable item

System	Sub system selection item	Diagnosis mode		
		Work Support	Data Monitor	Active Test
Door lock	DOOR LOCK	×	×	×
Rear window defogger	REAR DEFOGGER		×	×
Warning chime	BUZZER		×	×
Interior room lamp timer	INT LAMP	×	×	×
Exterior lamp	HEAD LAMP	×	×	×
Wiper and washer	WIPER	×	×	×
Turn signal and hazard warning lamps	FLASHER	×	×	×
—	AIR CONDITONER*			
<ul style="list-style-type: none"> <li>Intelligent Key system</li> <li>Engine start system</li> </ul>	INTELLIGENT KEY	×	×	×
Combination switch	COMB SW		×	
Body control system	BCM	×		
IVIS - NATS	IMMU		×	×
Interior room lamp battery saver	BATTERY SAVER	×	×	×
Back door open system	TRUNK		×	×
Vehicle security system	THEFT ALM	×	×	×
RAP system	RETAINED PWR		×	
Signal buffer system	SIGNAL BUFFER		×	×
TPMS	AIR PRESSURE MONITOR	×	×	×

#### NOTE:

\*: This item is displayed, but is not used.

#### FREEZE FRAME DATA (FFD)

The BCM records the following vehicle condition at the time a particular DTC is detected, and displays on CONSULT.



# DIAGNOSIS SYSTEM (BCM)

## < SYSTEM DESCRIPTION >

CONSULT screen item	Indication/Unit	Description		
Vehicle Speed	km/h	Vehicle speed of the moment a particular DTC is detected		A
Odo/Trip Meter	km	Total mileage (Odometer value) of the moment a particular DTC is detected		B
Vehicle Condition	SLEEP>LOCK	Power supply position status of the moment a particular DTC is detected*	While turning BCM status from low power consumption mode to normal mode (Power supply position is "LOCK"*)	C
	SLEEP>OFF		While turning BCM status from low power consumption mode to normal mode (Power supply position is "OFF".)	D
	LOCK>ACC		While turning power supply position from "LOCK"* to "ACC"	WT
	ACC>ON		While turning power supply position from "ACC" to "IGN"	F
	RUN>ACC		While turning power supply position from "RUN" to "ACC" (Except emergency stop operation)	G
	CRANK>RUN		While turning power supply position from "CRANKING" to "RUN" (From cranking up the engine to run it)	H
	RUN>URGENT		While turning power supply position from "RUN" to "ACC" (Emergency stop operation)	I
	ACC>OFF		While turning power supply position from "ACC" to "OFF"	J
	OFF>LOCK		While turning power supply position from "OFF" to "LOCK"*	K
	OFF>ACC		While turning power supply position from "OFF" to "ACC"	L
	ON>CRANK		While turning power supply position from "IGN" to "CRANKING"	M
	OFF>SLEEP		While turning BCM status from normal mode (Power supply position is "OFF".) to low power consumption mode	N
	LOCK>SLEEP		While turning BCM status from normal mode (Power supply position is "LOCK"*. ) to low power consumption mode	O
	LOCK		Power supply position is "LOCK"*	P
	OFF		Power supply position is "OFF" (Ignition switch OFF)	
	ACC		Power supply position is "ACC" (Ignition switch ACC)	
	ON		Power supply position is "IGN" (Ignition switch ON with engine stopped)	
	ENGINE RUN		Power supply position is "RUN" (Ignition switch ON with engine running)	
CRANKING	Power supply position is "CRANKING" (At engine cranking)			
IGN Counter	0 - 39	The number of times that ignition switch is turned ON after DTC is detected <ul style="list-style-type: none"> <li>• The number is 0 when a malfunction is detected now.</li> <li>• The number increases like 1 → 2 → 3...38 → 39 after returning to the normal condition whenever ignition switch OFF → ON.</li> <li>• The number is fixed to 39 until the self-diagnosis results are erased if it is over 39.</li> </ul>		

### NOTE:

\*: Power supply position shifts to "LOCK" from "OFF", when ignition switch is in the OFF position, selector lever is in the P position, and any of the following conditions are met.

- Closing door
- Opening door
- Door is locked using door request switch
- Door is locked using Intelligent Key

The power supply position shifts to "ACC" when the push-button ignition switch (push switch) is pushed at "LOCK".

## AIR PRESSURE MONITOR

### AIR PRESSURE MONITOR : CONSULT Function (BCM - AIR PRESSURE MONITOR)

INFOID:000000007459312

### WORK SUPPORT MODE

ID Read

# DIAGNOSIS SYSTEM (BCM)

## < SYSTEM DESCRIPTION >

The registered ID number is displayed.

ID Regist

Refer to [WT-21, "Work Procedure"](#).

## SELF-DIAG RESULTS MODE

Operation Procedure

Refer to [BCS-86, "DTC Index"](#).

## DATA MONITOR MODE

Screen of data monitor mode is displayed.

### NOTE:

When malfunction is detected, CONSULT perform REAL-TIME DIAGNOSIS.  
Also, any malfunction detected while in this mode will be displayed at real time.

Display item list

Monitor	Condition	Specification
AIR PRESS FL AIR PRESS FR AIR PRESS RR AIR PRESS RL	<ul style="list-style-type: none"> <li>Drive vehicle for a few minutes. or</li> <li>Ignition switch ON and tire pressure sensor tire pressure sensor activation tool is transmitting activation signals.</li> </ul>	Tire pressure (kPa, kg/cm <sup>2</sup> or Psi)
ID REGST FL1 ID REGST FR1 ID REGST RR1 ID REGST RL1	Ignition switch ON	Registration ID: Green No registration: Red
WARNING LAMP		Low tire pressure warning lamp ON: on Low tire pressure warning lamp OFF: off
BUZZER		Buzzer in combination meter ON: on Buzzer in combination meter OFF: off

### NOTE:

Before performing the self-diagnosis, be sure to register the ID, or erase the actual malfunction location may be different from that displayed on CONSULT.

## ACTIVE TEST MODE

### NOTE:

Before performing the self-diagnosis, be sure to register the ID, or erase the actual malfunction may be different from that displayed on CONSULT.

## TEST ITEM LIST

Test item	Content
WARNING LAMP	This test is able to check to check that the low tire pressure warning lamp turns on.
ID REGIST WARNING	This test is able to check to check that the buzzer sounds or the low tire pressure warning lamp turns on.
FLASHER	This test is able to check to check that each turn signal lamp turns on.
HORN	This test is able to check to check that the horn sounds.

# BCM

< ECU DIAGNOSIS INFORMATION >

## ECU DIAGNOSIS INFORMATION

BCM

List of ECU Reference

INFOID:000000007459313

ECU	Reference
	<a href="#">BCS-46, "Reference Value"</a>
BCM	<a href="#">BCS-84, "Fail-safe"</a>
	<a href="#">BCS-85, "DTC Inspection Priority Chart"</a>
	<a href="#">BCS-86, "DTC Index"</a>

A

B

C

D

WT

F

G

H

I

J

K

L

M

N

O

P

# TIRE PRESSURE MONITORING SYSTEM

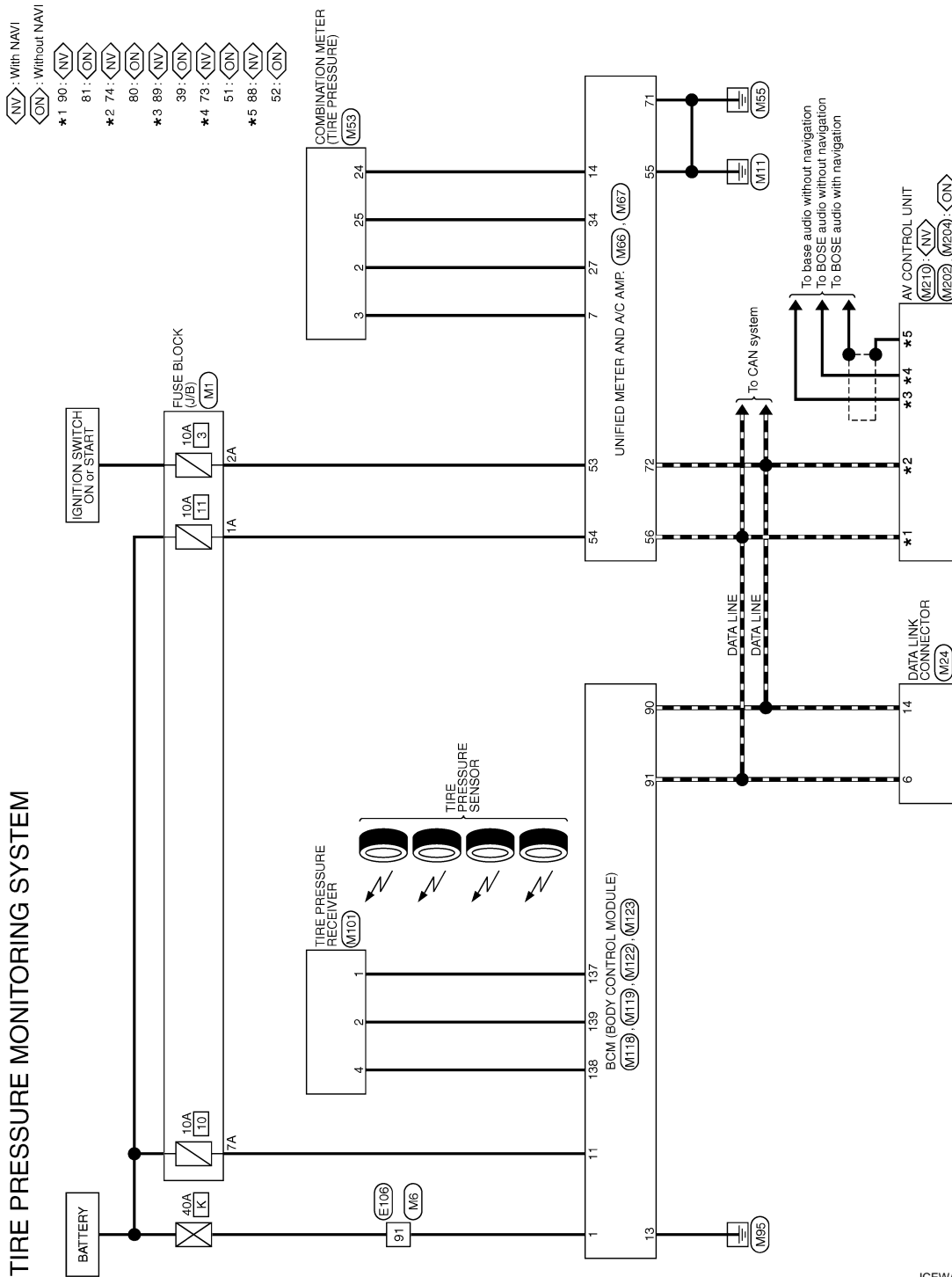
< WIRING DIAGRAM >

## WIRING DIAGRAM

### TIRE PRESSURE MONITORING SYSTEM

#### Wiring Diagram

INFOID:000000007459314



2010/09/21

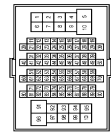
JCEWA0193GB

# TIRE PRESSURE MONITORING SYSTEM

< WIRING DIAGRAM >

**TIRE PRESSURE MONITORING SYSTEM**

Connector No.	ET06
Connector Name	WIRE TO WIRE
Connector Type	TH80PW-CS16-TM4



Terminal No.	Color Of Wire	Signal Name [Specification]
1	R	-
2	W	-
3	B	-
4	GR	-
5	GR	-
6	R	-
7	BR	-
8	BR	-
9	BR	-
10	BR	-
11	BR	-
12	BR	-
13	GR	-
14	R	-
15	P	-
16	V	-
17	SB	-
18	V	-
20	BG	-
21	L	-
22	V	-
23	G	-
24	P	-
25	Y	-
26	V	-
27	W	-
28	G	-
31	BG	-
32	W	-
33	B	-
34	R	-
35	G	-
36	SHIELD	-
37	V	-
38	BR	-
39	BG	-
41	W	-

42	G	-
43	BR	-
45	W	-
49	L	-
50	P	-
51	L	-
54	BG	-
57	BR	-
59	W	-
60	LG	-
61	G	-
62	SB	-
63	W	-
64	B	-
65	G	-
66	R	-
67	SHIELD	-
68	Y	-
69	LG	-
70	W	-
71	R	-
72	B	-
74	BR	- [With LCC]
74	BR	- [Without LCC]
74	GR	- [With LCC]
74	GR	- [Without LCC]
75	G	- [With LCC]
75	G	- [Without LCC]
76	W	- [With LCC]
76	W	- [Without LCC]
77	P	- [With LCC]
77	P	- [Without LCC]
78	BR	- [With LCC]
78	BR	- [Without LCC]
79	L	- [With LCC]
79	L	- [Without LCC]
80	SB	- [With LCC]
81	R	-
82	SB	-
83	BG	-
84	G	-
85	L	-
86	P	-
87	V	-
89	GR	-
90	SHIELD	-
91	W	-
92	Y	-
93	V	-
94	LG	-

95	BG	-
96	P	-
97	R	-
98	SHIELD	-
99	L	-
100	P	-

Connector No.	M1
Connector Name	FUSE BLOCK (F/B)
Connector Type	NS96FW-M2



Terminal No.	Color Of Wire	Signal Name [Specification]
3A	GR	-
3A	G	-
3A	G	-
4A	P	-
5A	V	-
6A	Y	-
7A	R	-
8A	L	-

Connector No.	IM6
Connector Name	WIRE TO WIRE
Connector Type	TH80MW-CS16-TM4



Terminal No.	Color Of Wire	Signal Name [Specification]
1	W	-
2	R	-
3	B	-

4	SHIELD	-
5	G	-
8	Y	-
9	BR	-
10	R	-
11	BR	-
12	BG	-
13	L	-
14	R	-
15	P	-
16	V	-
17	SB	-
18	V	-
20	BG	-
21	L	-
22	W	-
23	P	-
24	BR	-
25	Y	-
26	Y	-
27	V	-
27	G	-
27	G	-
32	G	-
33	B	-
34	W	-
35	R	-
36	SHIELD	-
37	V	-
38	BR	-
39	BR	-
41	W	-
42	BG	-
43	BG	-
45	W	-
49	L	-
50	P	-
51	BR	-
54	Y	-
57	G	-
59	W	-
60	L	-
61	G	-
62	SB	-
63	G	-
64	B	-
65	W	-
66	R	-
68	W	-
69	SB	-

A  
B  
C  
D  
E  
F  
G  
H  
I  
J  
K  
L  
M  
N  
O  
P

WT

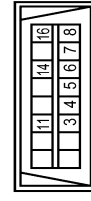
# TIRE PRESSURE MONITORING SYSTEM

## < WIRING DIAGRAM >

### TIRE PRESSURE MONITORING SYSTEM

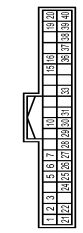
68	Y	-	-
69	GR	-	-
70	LG	-	-
71	LY	-	-
72	LG	-	-
73	S8	-	- [With LCC]
74	BR	-	- [Without LCC]
75	L	-	- [Without LCC]
76	GR	-	- [Without LCC]
77	W	-	- [With LCC]
78	P	-	- [Without LCC]
79	R	-	- [With LCC]
80	Y	-	- [Without LCC]
81	S8	-	-
82	S8	-	-
83	Y	-	-
84	G	-	-
85	P	-	-
86	P	-	-
87	W	-	-
88	GR	-	-
89	GR	-	-
90	SHIELD	-	-
91	W	-	-
92	Y	-	-
93	BR	-	-
94	P	-	-
95	GR	-	-
96	W	-	-
97	L	-	-
98	SHIELD	-	-
99	V	-	-
100	S8	-	-

Connector No.	M24
Connector Name	DATA LINK CONNECTOR
Connector Type	BD16FW



Terminal No.	Color	Wire	Signal Name [Specification]
1	LG	-	-
2	B	-	-
3	LG	-	-
4	B	-	-
5	B	-	-
6	L	-	-
7	V	-	-
8	S8	-	-
9	S8	-	-
10	P	-	-
11	P	-	-
12	Y	-	-

Connector No.	M63
Connector Name	COMBINATION METER
Connector Type	TH10FW-NH



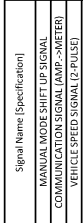
Terminal No.	Color	Wire	Signal Name [Specification]
1	GR	-	-
2	LG	-	-
3	GR	-	-
4	B	-	-
5	P	-	-
6	P	-	-
7	BR	-	-
8	G	-	-
9	B	-	-
10	B	-	-
11	B	-	-
12	B	-	-
13	B	-	-
14	B	-	-
15	B	-	-
16	B	-	-

Connector No.	M67
Connector Name	UNIFIED METER AND A/C AMP.
Connector Type	TH132FW-NH



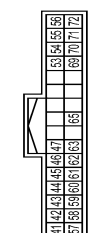
Terminal No.	Color	Wire	Signal Name [Specification]
1	GR	-	-
2	B	-	-
3	Y	-	-
4	Y	-	-
5	Y	-	-
6	Y	-	-
7	Y	-	-
8	Y	-	-
9	Y	-	-
10	Y	-	-
11	Y	-	-
12	Y	-	-
13	Y	-	-
14	Y	-	-
15	Y	-	-
16	Y	-	-

Connector No.	M66
Connector Name	UNIFIED METER AND A/C AMP.
Connector Type	TH106FW-NH



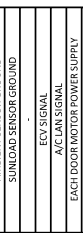
Terminal No.	Color	Wire	Signal Name [Specification]
1	GR	-	-
2	B	-	-
3	Y	-	-
4	Y	-	-
5	Y	-	-
6	Y	-	-
7	Y	-	-
8	Y	-	-
9	Y	-	-
10	Y	-	-
11	Y	-	-
12	Y	-	-
13	Y	-	-
14	Y	-	-
15	Y	-	-
16	Y	-	-

Connector No.	M67
Connector Name	UNIFIED METER AND A/C AMP.
Connector Type	TH132FW-NH



Terminal No.	Color	Wire	Signal Name [Specification]
1	GR	-	-
2	B	-	-
3	Y	-	-
4	Y	-	-
5	Y	-	-
6	Y	-	-
7	Y	-	-
8	Y	-	-
9	Y	-	-
10	Y	-	-
11	Y	-	-
12	Y	-	-
13	Y	-	-
14	Y	-	-
15	Y	-	-
16	Y	-	-

Connector No.	M66
Connector Name	UNIFIED METER AND A/C AMP.
Connector Type	TH106FW-NH



Terminal No.	Color	Wire	Signal Name [Specification]
1	GR	-	-
2	B	-	-
3	Y	-	-
4	Y	-	-
5	Y	-	-
6	Y	-	-
7	Y	-	-
8	Y	-	-
9	Y	-	-
10	Y	-	-
11	Y	-	-
12	Y	-	-
13	Y	-	-
14	Y	-	-
15	Y	-	-
16	Y	-	-

Terminal No.	Color	Wire	Signal Name [Specification]
1	GR	-	-
2	LG	-	-
3	GR	-	-
4	B	-	-
5	B	-	-
6	P	-	-
7	BR	-	-
8	G	-	-
9	B	-	-
10	B	-	-
11	B	-	-
12	B	-	-
13	B	-	-
14	B	-	-
15	B	-	-
16	B	-	-
17	B	-	-
18	B	-	-
19	B	-	-
20	B	-	-

Terminal No.	Color	Wire	Signal Name [Specification]
5	L	-	-
7	GR	-	-
8	L	-	-
9	S8	-	-
10	W	-	-
11	G	-	-
14	BR	-	-
20	L	-	-
23	Y	-	-
25	V	-	-
27	LG	-	-
28	R	-	-
30	V	-	-
34	Y	-	-
38	P	-	-

Terminal No.	Color	Wire	Signal Name [Specification]
41	V	-	-
42	Y	-	-
43	R	-	-
44	LG	-	-
45	P	-	-
46	BR	-	-
47	P	-	-
48	G	-	-
49	G	-	-
50	Y	-	-
51	Y	-	-
52	G	-	-
53	Y	-	-
54	Y	-	-
55	B	-	-
56	L	-	-
57	W	-	-
58	BR	-	-
59	GR	-	-
60	L	-	-
61	BR	-	-
62	S8	-	-
63	R	-	-
65	B8	-	-
69	L	-	-
70	R	-	-
71	B	-	-
72	P	-	-

JREW1607GB

# TIRE PRESSURE MONITORING SYSTEM

< WIRING DIAGRAM >

## TIRE PRESSURE MONITORING SYSTEM

Connector No.	M101
Connector Name	TIRE PRESSURE RECEIVER
Connector Type	TK04FW



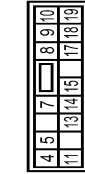
Terminal No.	Color Of Wire	Signal Name [Specification]
1	BG	GROUND
2	L	SIGNAL
4	Y	BATTERY

Connector No.	M118
Connector Name	BCM (BODY CONTROL MODULE)
Connector Type	M03FB-IC



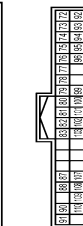
Terminal No.	Color Of Wire	Signal Name [Specification]
1	W	BAT (F/L)
2	W	POWER WINDOW POWER SUPPLY(BAT)
3	Y	POWER WINDOW POWER SUPPLY(BAP)

Connector No.	M119
Connector Name	BCM (BODY CONTROL MODULE)
Connector Type	NS16FW-CS



Terminal No.	Color Of Wire	Signal Name [Specification]
4	LG	INTERIOR ROOM LAMP POWER SUPPLY
5	L	PASSENGER DOOR UNLOCK OUTPUT
7	Y	STEP LAMP CONT
8	V	ALL DOOR FUEL LID LOCK OUTPUT
9	G	DRIVER DOOR FUEL LID LOCK OUTPUT
10	BR	REAR DOOR UNLOCK OUTPUT
11	R	BAT FUSE1
12	B	IGNITION
13	Y	PUSH-BUTTON LOCK SW (L) GND
14	Y	ACC LK
17	W	TURN SIGNAL RL (FRONT)
18	BG	TURN SIGNAL LL (FRONT)
19	V	INT ROOM LAMP CONT

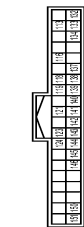
Connector No.	M122
Connector Name	BCM (BODY CONTROL MODULE)
Connector Type	TH40FB-NH



Terminal No.	Color Of Wire	Signal Name [Specification]
72	R	ROOM ANT2-
73	G	ROOM ANT2+
74	SB	PASSENGER DOOR ANT-
75	GR	PASSENGER DOOR ANT+
76	V	DRIVER DOOR ANT-
77	LG	DRIVER DOOR ANT+
78	Y	ROOM ANT1-

79	BR	ROOM ANT1+
80	GR	NATS ANT AMP
81	W	NATS ANT AMP
82	R	IGN RELAY (F) CONT
83	Y	KEYLESS ENTRY RECEIVER COMM
87	BR	COMB SW INPUT 5
88	V	COMB SW OUTPUT 2
90	P	CAN-L
91	L	CAN-H
92	LG	KEY SLOT ILL CONT
93	V	ON IND
94	Y	Puddle LAMP CONT
95	BG	ACC RELAY CONT
96	GR	A/T SHIFT SELECTOR POWER SUPPLY
99	R	SHIFT P
100	G	PASSENGER DOOR REQUEST SW
101	SB	DRIVER DOOR REQUEST SW
102	BG	BLOWER FAN MOTOR RELAY CONT
103	LG	KEYLESS ENTRY RECEIVER POWER SUPPLY
104	LG	COMB SW INPUT 1
108	R	COMB SW INPUT 4
109	R	COMB SW INPUT 2
110	G	TRAZARD SW

Connector No.	M123
Connector Name	BCM (BODY CONTROL MODULE)
Connector Type	TH40FG-NH



Terminal No.	Color Of Wire	Signal Name [Specification]
113	P	OPTICAL SENSOR
116	SB	STOP LAMP SW 1
118	P	STOP LAMP SW 2
119	SB	DR DOOR UNLOCK SENSOR
121	BR	KEY SLOT SW
123	W	IGN F/B
124	LG	PASSENGER DOOR SW
132	BR	POWER WINDOW SW COMM1
133	W	PUSH-BUTTON IGNITION SW ILL POWER
134	GR	LOCK IND
137	BG	RECEIVER SENSOR GND

138	Y	RECEIVER SENSOR POWER SUPPLY
139	L	TIRE PRESSURE RECEIVER COMM
140	GR	SHIFT N/P
141	G	SECURITY IND LAMP CONT
142	BG	COMB SW OUTPUT 5
143	P	COMB SW OUTPUT 1
144	G	COMB SW OUTPUT 2
145	L	COMB SW OUTPUT 3
146	SB	COMB SW OUTPUT 4
150	LG	DRIVER DOOR SW
151	G	REAR WINDOW DEFOSSEGER RELAY CONT

Connector No.	M202
Connector Name	AV CONTROL UNIT
Connector Type	TH24FW-NH



Terminal No.	Color Of Wire	Signal Name [Specification]
36	BG	SIGNAL VCC
37	LG	SIGNAL GND
38	R	HP
39	BR	COMM (DSP->CONT)
40	B	RGB AREA (VS) SIGNAL
41	SHIELD	SHIELD
42	W	RGB SYNC
43	G	RGB (R:RED) SIGNAL
44	L	RGB (G:GREEN) SIGNAL
45	P	RGB (B:BLUE) SIGNAL
46	V	COMPOSITE IMAGE SIGNAL GND
47	SB	INVERTER VCC
48	Y	INVERTER GND
49	BR	VP
50	G	COMM (CONT->DISP)
51	Y	SHIELD
57	SHIELD	SHIELD
58	SHIELD	SHIELD

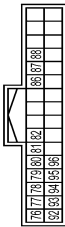
A  
B  
C  
D  
WT  
F  
G  
H  
I  
J  
K  
L  
M  
N  
O  
P

# TIRE PRESSURE MONITORING SYSTEM

< WIRING DIAGRAM >

## TIRE PRESSURE MONITORING SYSTEM

Connector No.	M204
Connector Name	AV CONTROL UNIT
Connector Type	TH3ZFW-NH



Terminal No.	Color Of Wire	Signal Name [Specification]
76	LG	AV COMM (L)
77	SB	AV COMM (H)
78	LG	AV COMM (L)
79	SB	AV COMM (H)
80	P	CAN-L
81	S	CAN-H
82	S	SHIELD
83	SHIELD	TEL VOICES SIGNAL (A)
84	P	TEL VOICES SIGNAL (L)
85	R	VEHICLE SPEED SIGNAL (8-PULSE)
86	V	PARKING BRAKE SIGNAL
87	G	REVERSE SIGNAL
88	G	IGNITION SIGNAL
89	Y	DISK EFFECT SIGNAL



Connector No.	M210
Connector Name	AV CONTROL UNIT
Connector Type	TH3ZFW-NH

Terminal No.	Color Of Wire	Signal Name [Specification]
65	V	PARKING BRAKE SIGNAL
66	G	COMPOSITE IMAGE SIGNAL GND
67	S	COMPOSITE IMAGE SIGNAL
68	SHIELD	MICROPHONE SIGNAL
69	R	MICROPHONE VCC

73	R	COMM (CONT-DISP)
74	P	CAN-L
75	LG	AV COMM (L)
76	LG	AV COMM (L)
79	R	ILLUMINATION
80	G	IGNITION SIGNAL
81	BC	REVERSE SIGNAL
82	R	VEHICLE SPEED SIGNAL (8-PULSE)
83	SHIELD	SHIELD
87	G	MICROPHONE SIGNAL
88	SHIELD	SHIELD
89	G	COMM (DISP-CONT)
90	L	CAN-H
91	SB	AV COMM (H)
92	SB	AV COMM (H)

JREW1609GB



# DIAGNOSIS AND REPAIR WORK FLOW

< BASIC INSPECTION >

## BASIC INSPECTION

### DIAGNOSIS AND REPAIR WORK FLOW

Work Flow

INFOID:000000007459315

DETAILED FLOW

#### 1. COLLECT THE INFORMATION FROM THE CUSTOMER

It is also important to clarify customer concerns before starting the inspection. Reproduce the symptom, and understand it fully. Interview the customer about the concerns carefully. In some cases, it is necessary to check the symptoms by driving the vehicle with the customer.

**CAUTION:**

**Customers are not professionals. Never assume “maybe the customer means...” or “maybe the customer mentioned this symptom.”**

>> GO TO 2.

#### 2. BASIC INSPECTION

1. Turn the ignition switch ON.

**CAUTION:**

**Never start the engine.**

2. Check the tire pressure for all wheels and adjust to the specified value. Refer to [WT-53, "Tire Air Pressure"](#).

Is the inspection result normal?

YES >> GO TO 3.

NO >> Inspect or repair the tires or wheels.

#### 3. CHECK LOW TIRE PRESSURE WARNING LAMP

Check low tire pressure warning lamp display.

Does not low tire pressure warning lamp turn OFF?

YES >> GO TO 4.

NO >> INSPECTION END

#### 4. CRUISE TEST

Start the engine and drive the vehicle.

>> GO TO 5.

#### 5. PERFORM SELF-DIAGNOSIS

 **With CONSULT**

Perform “SELF-DIAG RESULTS”.

Is any DTC detected?

YES >> Record or print DTC and freeze frame data (FFD). GO TO 7.

NO >> GO TO 6.

#### 6. CHECK SYMPTOM

Perform trouble diagnosis for the applicable symptom. Refer to [WT-38, "Symptom Table"](#).

Is the cause of the malfunction detected?

YES >> GO TO 8.

NO >> GO TO 10.

#### 7. CIRCUIT DIAGNOSIS

Inspect the malfunctioning system indicated by the DTC code that is detected during self-diagnosis. Refer to [BCS-86, "DTC Index"](#).

>> GO TO 8.

A

B

C

D

WT

F

G

H

I

J

K

L

M

N

O

P

## DIAGNOSIS AND REPAIR WORK FLOW

< BASIC INSPECTION >

---

### 8. REPAIR WORK

---

Repair or replace the malfunctioning part.

>> GO TO 9.

### 9. PERFORM SELF-DIAGNOSIS

---

1. Select "SELF-DIAG RESULTS" in "AIR PRESSURE MONITOR" of "BCM".
2. Touch "ERASE" on CONSULT screen to erase memory.
3. Drive the vehicle.
4. Perform "SELF-DIAG RESULTS" in "AIR PRESSURE MONITOR" of "BCM".

Is any DTC detected?

- YES >> GO TO 7.  
NO >> GO TO 10.

### 10. FINAL CHECK

---

1. Perform a cruise test.
2. Check that the low tire pressure warning lamp turn OFF.

Dose the tire pressure warning lamp turn OFF?

- YES >> INSPECTION END  
NO >> GO TO 2.

## ADDITIONAL SERVICE WHEN REPLACING BCM

< BASIC INSPECTION >

---

### ADDITIONAL SERVICE WHEN REPLACING BCM

#### Description

INFOID:000000007459316

When replacing BCM, tire pressure sensor ID registration is required.

#### Work Procedure

INFOID:000000007459317

#### 1. PERFORM TIRE PRESSURE SENSOR ID REGISTRATION

---

Perform tire pressure sensor ID registration.

>> Refer to [WT-21. "Work Procedure"](#).

A

B

C

D

WT

F

G

H

I

J

K

L

M

N

O

P

# TIRE PRESSURE SENSOR WAKE UP OPERATION

< BASIC INSPECTION >

## TIRE PRESSURE SENSOR WAKE UP OPERATION

### Description

INFOID:000000007459318

This procedure must be done after replacement of a tire pressure sensor, BCM, or rotation of wheels.

### Work Procedure

INFOID:000000007459319

#### 1. TIRE PRESSURE SENSOR WAKE-UP PROCEDURE

1. Turn the ignition switch ON.

**CAUTION:**

**Never start the engine.**

**NOTE:**

The position of an inactive tire pressure sensor can be identified by checking the blinking timing of the low tire pressure warning lamp.

Low tire pressure warning lamp blinking timing		Activation tire position
	a : 0.3 sec. b : 1.0 sec.	Front LH
	a : 0.3 sec. b : 1.0 sec.	Front RH
	a : 0.3 sec. b : 1.0 sec.	Rear RH
	a : 0.3 sec. b : 1.0 sec.	Rear LH
	a : 2 sec. b : 0.2 sec.	All tires

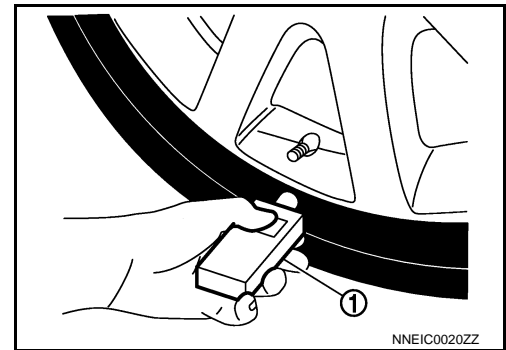
JPEIC0089GB

2. Contact the tire pressure sensor activation tool (J-45295) (1) to the side of the tire at the location to the tire pressure sensor.
3. Press and hold the tire pressure sensor activation tool button while pushing the tool to the tire surface. (approximately for 5 seconds)

**CAUTION:**

**Perform the wake-up procedure starting from the vehicle front left wheel, then repeat the procedure in the order of the front right wheel, rear right wheel, and rear left wheel.**

4. Check that the turn signal lamps blink twice when the tire pressure sensor wake-up procedure for all wheels is completed.
5. Check that the low tire pressure warning lamp turns OFF, after the tire pressure sensor wake-up procedure is completed for all wheels and turns OFF.



NNEIC0020ZZ

Is the tire pressure sensor wake-up procedure completed?

- YES >> Perform the tire pressure sensor ID registration procedure. Refer to [WT-21, "Work Procedure"](#).
- NO >> Perform trouble diagnosis for the tire pressure sensor. Refer to [WT-25, "Diagnosis Procedure"](#).

# ID REGISTRATION

< BASIC INSPECTION >

## ID REGISTRATION

### Description

INFOID:000000007459320

This procedure must be done after replacing or rotating wheels, replacing tire pressure sensor or BCM.

### Work Procedure

INFOID:000000007459321

#### 1. TIRE PRESSURE SENSOR ID REGISTRATION PROCEDURE

##### CAUTION:

- To perform ID registration, observe the following points:
- Never register ID in a place where radio waves are interfered (e.g. radio tower).
- Never register ID in a place close to vehicles including TPMS.

Ⓜ With CONSULT

1. Display the "WORK SUPPORT" screen and select "ID REGIST".

Is the tire pressure sensor activation tool (J-45295) used for the tire pressure sensor ID registration procedure?

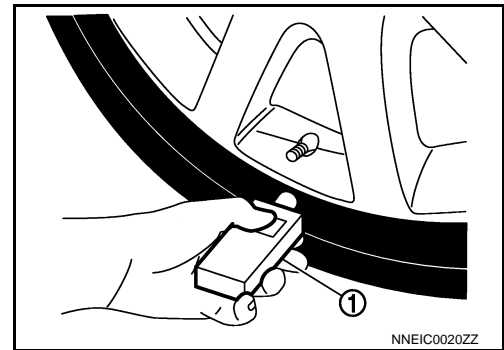
- YES >> GO TO 2.  
NO >> GO TO 3.

#### 2. TIRE PRESSURE SENSOR ID REGISTRATION PROCEDURE (WITH TIRE PRESSURE SENSOR ACTIVATION TOOL)

1. Turn the ignition switch ON.
2. Select the start button on the "ID REGIST" screen.
3. Contact the tire pressure sensor activation tool (J-45295) (1) to the side of the tire at the location to the tire pressure sensor.
4. Press and hold the tire pressure sensor activation tool button while pushing the tool to the tire surface. (approximately for 5 seconds)

##### CAUTION:

Perform the ID registration procedure starting from the vehicle front left wheel, then repeat the procedure in the order of the front right wheel, rear right wheel, and rear left wheel.



5. When ID registration is completed, check the following pattern at each wheel.

Sequence	ID registration position	Turn signal lamp	CONSULT
1	Front left wheel	2 blinks	"Red" ↓ "Green"
2	Front right wheel		
3	Rear right wheel		
4	Rear left wheel		

6. After the ID registration procedure for all wheels is completed, press "END" to end ID registration, and check that ID registration for all wheels is completed.

Is the check result normal?

- YES >> ID registration END.  
NO >> Refer to [WT-44. "Diagnosis Procedure"](#).

#### 3. TIRE PRESSURE SENSOR ID REGISTRATION PROCEDURE (WITHOUT TIRE PRESSURE SENSOR ACTIVATION TOOL)

1. Adjust the tire pressure for all wheels to match the list below.

## ID REGISTRATION

### < BASIC INSPECTION >

Tire position	Tire pressure kPa (kg/cm <sup>2</sup> , psi)
Front LH	240 (2.4, 35)
Front RH	220 (2.2, 31)
Rear RH	200 (2.0, 29)
Rear LH	180 (1.8, 26)

2. Drive the vehicle at a speed at more than 40 km/h (25 MPH) for 3 minutes or more, then perform the tire pressure sensor ID registration procedure.
3. After ID registration for all wheels is completed, press "END" to end ID registration.

ID registration position	CONSULT
Front LH	"Red" ↓ "Green"
Front RH	
Rear RH	
Rear LH	

4. Adjust the tire pressures for all wheels to the specified value. Refer to [WT-53. "Tire Air Pressure"](#).

Is ID registrations for all wheels completed?

YES >> ID registration END.

NO >> Performs trouble-diagnosis of the Tire Pressure Monitoring System (TPMS). Refer to [BCS-86. "DTC Index"](#).

# C1704, C1705, C1706, C1707 LOW TIRE PRESSURE

< DTC/CIRCUIT DIAGNOSIS >

## DTC/CIRCUIT DIAGNOSIS

### C1704, C1705, C1706, C1707 LOW TIRE PRESSURE

#### Description

INFOID:000000007459322

When the tire pressure monitoring system detects low inflation pressure, the low tire pressure warning lamps in the combination meter comes on.

#### DTC Logic

INFOID:000000007459323

#### DTC DETECTION LOGIC

DTC	Display item	Malfunction detected condition	Possible cause
C1704	LOW PRESSURE FL	Front LH tire pressure drops to * kPa (* kg/cm <sup>2</sup> , * psi) or less. [NOTE]	<ul style="list-style-type: none"> <li>• Low tire pressure</li> <li>• Tire pressure sensor malfunction</li> </ul>
C1705	LOW PRESSURE FR	Front RH tire pressure drops to * kPa (* kg/cm <sup>2</sup> , * psi) or less. [NOTE]	
C1706	LOW PRESSURE RR	Rear RH tire pressure drops to * kPa (* kg/cm <sup>2</sup> , * psi) or less. [NOTE]	
C1707	LOW PRESSURE RL	Rear LH tire pressure drops to * kPa (* kg/cm <sup>2</sup> , * psi) or less. [NOTE]	

#### NOTE:

182.7 kPa (1.9 kg/cm<sup>2</sup>, 26 psi): Standard air pressure is for 230 kPa (2.3 kg/cm<sup>2</sup>, 33 psi) vehicles.

#### DTC CONFIRMATION PROCEDURE

##### 1. DTC REPRODUCTION PROCEDURE

 With CONSULT

1. Turn the ignition switch ON.

#### CAUTION:

**Never start the engine.**

2. Check the tire pressure for all wheels and adjust to the specified value. Refer to [WT-53, "Tire Air Pressure"](#).

3. Perform "SELF-DIAG RESULTS" in "AIR PRESSURE MONITOR" of "BCM".

Is DTC "C1704", "C1705", "C1706", "C1707" detected?

YES >> Perform trouble diagnosis. Refer to [WT-23, "Diagnosis Procedure"](#).

NO >> INSPECTION END

#### Diagnosis Procedure

INFOID:000000007459324

##### 1. CHECK TIRE PRESSURE

Check the internal pressure of all wheels. Refer to [WT-53, "Tire Air Pressure"](#).

Is the inspection result normal?

YES >> Replace the DTC-detected malfunctioning tire pressure sensor. Refer to [WT-50, "Exploded View"](#).

NO >> After adjusting the air pressure, GO TO 2.

##### 2. CHECK TIRE PRESSURE SIGNAL

 With CONSULT

1. Drive for 3 minutes at a speed of 40 km/h (25 MPH) or more, then drive normally for 10 minutes.

2. Perform "DATA MONITOR" in "AIR PRESSURE MONITOR" of "BCM".

3. Select "BCM" in "DATA MONITOR", and check that the tire pressures match the standard value.

Monitor item	Condition	Displayed value
AIR PRESS FL	Drive for 3 minutes at a speed of 40 km/h (25 MPH) or more, then drive normally for 10 minutes.	Internal pressure of tires
AIR PRESS FR		
AIR PRESS RR		
AIR PRESS RL		

## C1704, C1705, C1706, C1707 LOW TIRE PRESSURE

< DTC/CIRCUIT DIAGNOSIS >

---

**CAUTION:**

Stop the vehicle and within 5 minutes, use “DATA MONITOR” in “AIR PRESSURE MONITOR” of “BCM” to display the tire pressure for all wheels.

Is the inspection result normal?

- YES >> Inspect or repair the tires or wheels and adjust the tire pressure to the specification.
- NO >> GO TO 1.

### Special Repair Requirement

INFOID:000000007459325

#### 1.CHECK TIRE PRESSURE

---

Check all tires for tire pressures. Refer to [WT-53, "Tire Air Pressure"](#).

Does all tire pressure data meet the specification?

- YES >> GO TO 2.
- NO >> Inspect or repair the tires or wheels and adjust the tire pressure to the specification.

#### 2.PERFORM ID REGISTRATION

---

Perform ID registration. Refer to [WT-21, "Work Procedure"](#).

>> END



# C1708, C1709, C1710, C1711 TIRE PRESSURE SENSOR

< DTC/CIRCUIT DIAGNOSIS >

## C1708, C1709, C1710, C1711 TIRE PRESSURE SENSOR

### DTC Logic

INFOID:000000007459326

### DTC DETECTION LOGIC

DTC	Display item	Malfunction detected condition	Possible cause
C1708	[NO DATA] FL	Tire pressure data signal from the front left wheel tire pressure sensor cannot be detected.	<ul style="list-style-type: none"> <li>• Harness or connector (Tire pressure receiver, BCM)</li> <li>• ID registration is not finished</li> <li>• Tire pressure sensor malfunction</li> <li>• BCM malfunction</li> </ul>
C1709	[NO DATA] FR	Tire pressure data signal from the front right wheel tire pressure sensor cannot be detected.	
C1710	[NO DATA] RR	Tire pressure data signal from the rear right wheel tire pressure sensor cannot be detected.	
C1711	[NO DATA] RL	Tire pressure data signal from the rear left wheel tire pressure sensor cannot be detected.	

### DTC CONFIRMATION PROCEDURE

#### 1. DTC REPRODUCTION PROCEDURE

Ⓜ With CONSULT

1. Drive for 3 minutes at a speed of 40 km/h (25 MPH) or more, then drive normally for 10 minutes.
2. Perform "SELF-DIAG RESULTS" in "AIR PRESSURE MONITOR" of "BCM".

Is DTC "C1708", "C1709", "C1710", "C1711" detected?

- YES >> Perform trouble diagnosis. Refer to [WT-25, "Diagnosis Procedure"](#).  
 NO >> INSPECTION END

### Diagnosis Procedure

INFOID:000000007459327

#### 1. CHECK TIRE PRESSURE SIGNAL

Ⓜ With CONSULT

1. Drive for 3 minutes at a speed of 40 km/h (25 MPH) or more, then drive normally for 10 minutes.
2. Perform "DATA MONITOR" in "AIR PRESSURE MONITOR" of "BCM".
3. Select "BCM" in "DATA MONITOR", and check that the tire pressures match the standard value.

Monitor item	Condition	Displayed value
AIR PRESS FL	Drive for 3 minutes at a speed of 40 km/h (25 MPH) or more, then drive normally for 10 minutes.	Internal pressure of tires
AIR PRESS FR		
AIR PRESS RR		
AIR PRESS RL		

#### CAUTION:

Stop the vehicle and within 5 minutes, use "DATA MONITOR" in "AIR PRESSURE MONITOR" of "BCM" to display the tire pressure for all wheels.

Is a tire pressure of 0 kPa (0 Psi) displayed for all wheels?

- YES >> GO TO 2.  
 NO >> GO TO 5.

#### 2. CHECK HARNESS BETWEEN BCM AND TIRE PRESSURE RECEIVER

1. Turn the ignition switch OFF.
2. Disconnect BCM harness connector and tire pressure receiver harness connector.
3. Check the continuity between BCM harness connector and tire pressure receiver harness connector.

# C1708, C1709, C1710, C1711 TIRE PRESSURE SENSOR

## < DTC/CIRCUIT DIAGNOSIS >

BCM		Tire pressure receiver		Continuity
Connector	Terminal	Connector	Terminal	
M123	137	M101	1	Existed
	138		4	
	139		2	

4. Check the continuity between BCM harness connector and ground.

BCM		—	Continuity
Connector	Terminal		
M123	137	Ground	Not existed
	138		
	139		

Is the inspection result normal?

YES >> GO TO 3.

NO >> Repair or replace damaged parts.

### 3. CHECK TIRE PRESSURE RECEIVER POWER SUPPLY CIRCUIT

1. Connect the BCM harness connector.
2. Turn the ignition switch ON.  
**CAUTION:**  
**Never start the engine.**
3. Check the voltage between the BCM harness connector and ground.

BCM		—	Voltage (Approx.)
Connector	Terminal		
M123	138	Ground	5 V

Is the inspection result normal?

YES >> GO TO 4.

NO >> Repair or replace damaged parts.

### 4. CHECK TIRE PRESSURE RECEIVER

Check tire pressure receiver. Refer to [WT-34, "Diagnosis Procedure"](#).

Is the inspection result normal?

YES >> GO TO 5.

NO >> Replace tire pressure receiver. Refer to [WT-52, "Removal and Installation"](#).

### 5. CHECK ID REGISTRATION

Perform ID registration of all tire pressure sensors. Refer to [WT-21, "Work Procedure"](#).

Can ID registration of all tire pressure sensors be completed?

YES >> GO TO 6.

NO >> Replace tire pressure sensor. Refer to [WT-50, "Exploded View"](#).

### 6. CHECK TIRE PRESSURE MONITORING SYSTEM

 With CONSULT

1. Drive at a speed of 40 km/h (25 MPH) or more for several minutes without stopping.
2. Perform "DATA MONITOR" in "AIR PRESSURE MONITOR" of "BCM".
3. Select "BCM" in "DATA MONITOR", and check that the tire pressures match the standard value.

# C1708, C1709, C1710, C1711 TIRE PRESSURE SENSOR

## < DTC/CIRCUIT DIAGNOSIS >

Monitor item	Condition	Displayed value
AIR PRESS FL	Drive at a speed of 40 km/h (25 MPH) or more, for several minutes without stopping.	Internal pressure of tires
AIR PRESS FR		
AIR PRESS RR		
AIR PRESS RL		

### **CAUTION:**

Stop the vehicle and within 15 minutes, use "DATA MONITOR" in "AIR PRESSURE MONITOR" of "BCM" to read the tire pressure for all wheels.

#### Is the inspection result normal?

YES >> Replace the DTC-detected malfunctioning tire pressure sensor. Refer to [WT-50, "Exploded View"](#).

NO >> Replace BCM. Refer to [BCS-92, "Exploded View"](#).

### Special Repair Requirement

INFOID:000000007459328

WT

## 1. CHECK TIRE PRESSURE

Check all tires for tire pressures. Refer to [WT-53, "Tire Air Pressure"](#).

#### Does all tire pressure data meet the specification?

YES >> GO TO 2.

NO >> Inspect or repair the tires or wheels and adjust the tire pressure to the specification.

## 2. PERFORM ID REGISTRATION

Perform ID registration. Refer to [WT-21, "Work Procedure"](#).

>> END

# C1716, C1717, C1718, C1719 TIRE PRESSURE SENSOR

< DTC/CIRCUIT DIAGNOSIS >

## C1716, C1717, C1718, C1719 TIRE PRESSURE SENSOR

### DTC Logic

INFOID:000000007459329

### DTC DETECTION LOGIC

DTC	Display item	Malfunction detected condition	Possible case
C1716	[PRESSDATA ERR] FL	Malfunction in the tire pressure data from the front left wheel tire pressure sensor.	<ul style="list-style-type: none"><li>• ID registration is not finished</li><li>• Tire pressure sensor malfunction</li></ul>
C1717	[PRESSDATA ERR] FR	Malfunction in the tire pressure data from the front right wheel tire pressure sensor.	
C1718	[PRESSDATA ERR] RR	Malfunction in the tire pressure data from the rear right wheel tire pressure sensor.	
C1719	[PRESSDATA ERR] RL	Malfunction in the tire pressure data from the rear left wheel tire pressure sensor.	

### DTC CONFIRMATION PROCEDURE

#### 1. DTC REPRODUCTION PROCEDURE

Ⓟ With CONSULT

1. Turn the ignition switch ON.

**CAUTION:**

**Never start the engine.**

2. Check the tire pressure for all wheels and adjust to the specified value. Refer to [WT-53, "Tire Air Pressure"](#).
3. Perform "SELF-DIAG RESULTS" in "AIR PRESSURE MONITOR" of "BCM".

Is DTC "C1716", "C1717", "C1718", "C1719" detected?

- YES >> Perform trouble diagnosis. Refer to [WT-28, "Diagnosis Procedure"](#).  
NO >> INSPECTION END

### Diagnosis Procedure

INFOID:000000007459330

#### 1. CHECK TIRE PRESSURE

Check the internal pressure of all wheels. Refer to [WT-53, "Tire Air Pressure"](#).

Is the inspection result normal?

- YES >> Replace the DTC-detected malfunctioning tire pressure sensor. Refer to [WT-50, "Exploded View"](#).  
NO >> After adjusting the tire pressure, GO TO 2.

#### 2. CHECK TIRE PRESSURE SIGNAL

Ⓟ With CONSULT

1. Check and adjust the tire pressure for all wheels. Refer to [WT-53, "Tire Air Pressure"](#).
2. Perform tire pressure sensor ID registration for all wheels. Refer to [WT-21, "Work Procedure"](#).
3. Drive for 3 minutes at a speed of 40 km/h (25 MPH) or more, then drive normally for 10 minutes.
4. Perform "DATA MONITOR" in "AIR PRESSURE MONITOR" of "BCM".
5. Select "BCM" in "DATA MONITOR", and check that the tire pressures match the standard value.

**CAUTION:**

**Stop the vehicle and within 15 minutes, use CONSULT "DATA MONITOR" to display the tire pressure for all wheels.**

6. Check that "DATA MONITOR" displays tire pressure of 438.60 kPa (4.47 kg/cm<sup>2</sup>, 63.60 Psi).

Is the inspection 438.60 kPa (4.47 kg/cm<sup>2</sup>, 63.60 Psi)?

- YES >> Replace tire pressure sensor the tire pressure 438.60 kPa (4.386 bar, 4.47 kg/cm<sup>2</sup>, 63.60 Psi) displayed. Refer to [WT-50, "Exploded View"](#).  
NO >> GO TO 1.

# C1716, C1717, C1718, C1719 TIRE PRESSURE SENSOR

< DTC/CIRCUIT DIAGNOSIS >

## Special Repair Requirement

INFOID:000000007459331

### 1.CHECK TIRE PRESSURE

Check all tires for tire pressures. Refer to [WT-53, "Tire Air Pressure"](#).

Does all tire pressure data meet the specification?

YES >> GO TO 2.

NO >> Inspect or repair the tires or wheels and adjust the tire pressure to the specification.

### 2.PERFORM ID REGISTRATION

Perform ID registration. Refer to [WT-21, "Work Procedure"](#).

>> END

A  
B  
C  
D  
E  
F  
G  
H  
I  
J  
K  
L  
M  
N  
O  
P

WT

# C1729 VEHICLE SPEED SIGNAL

< DTC/CIRCUIT DIAGNOSIS >

## C1729 VEHICLE SPEED SIGNAL

### Description

INFOID:000000007459332

BCM detects no vehicle speed signal.

### DTC Logic

INFOID:000000007459333

### DTC DETECTION LOGIC

DTC number	Trouble diagnosis name	DTC detecting condition	Possible case
C1729	VHCL SPEED SIG ERR	Vehicle speed signal not detected.	<ul style="list-style-type: none"><li>CAN communication error</li><li>Unified meter and A/C amp. mal-function</li></ul>

### DTC CONFIRMATION PROCEDURE

#### 1. DTC REPRODUCTION PROCEDURE

Ⓜ With CONSULT

- Drive for several minutes at a speed of 40 km/h (25 MPH) or more, then stop the vehicle.
- Perform "SELF-DIAG RESULTS" in "AIR PRESSURE MONITOR" of "BCM".

Is DTC "C1729" detected?

- YES >> Perform trouble diagnosis. Refer to [WT-30, "Diagnosis Procedure"](#).  
NO >> INSPECTION END

### Diagnosis Procedure

INFOID:000000007459334

#### 1. PERFORM UNIFIED METER AND A/C AMP. SELF-DIAGNOSIS

Ⓜ With CONSULT

Perform "SELF-DIAG RESULTS" of "METER/M&A".

Is any DTC detected?

- YES >> Check the DTC. Refer to [MWI-107, "DTC Index"](#).  
NO >> GO TO 2.

#### 2. PERFORM SELF-DIAGNOSIS

Ⓜ With CONSULT

Perform "SELF-DIAG RESULTS" in "AIR PRESSURE MONITOR" of "BCM".

Is DTC "C1729" detected?

- YES >> Replace BCM. Refer to [WT-8, "COMMON ITEM : CONSULT Function \(BCM - COMMON ITEM\)"](#).  
NO >> GO TO 3.

#### 3. CHECK INFORMATION

Ⓜ With CONSULT

- Perform "DATA MONITOR" in "AIR PRESSURE MONITOR" of "BCM".
- Select "BCM" in "DATA MONITOR", and check the input/output values. Refer to [BCS-46, "Reference Value"](#).

Is the inspection result normal?

- YES >> Check pin terminal and connection of each harness connector for malfunctioning conditions.  
NO >> Replace BCM. Refer to [BCS-92, "Exploded View"](#).

### Special Repair Requirement

INFOID:000000007459335

#### 1. CHECK TIRE PRESSURE

Check all tires for tire pressures. Refer to [WT-53, "Tire Air Pressure"](#).

Does all tire pressure data meet the specification?

- YES >> GO TO 2.

## C1729 VEHICLE SPEED SIGNAL

< DTC/CIRCUIT DIAGNOSIS >

---

NO >> Inspect or repair the tires or wheels and adjust the tire pressure to the specification.

### 2.PERFORM ID REGISTRATION

---

Perform ID registration. Refer to [WT-21, "Work Procedure"](#).

>> END

A

B

C

D

WT

F

G

H

I

J

K

L

M

N

O

P

# C1734 BCM

< DTC/CIRCUIT DIAGNOSIS >

## C1734 BCM

### DTC Logic

INFOID:000000007459336

### DTC DETECTION LOGIC

DTC	Display item	Malfunction detected condition	Possible case
C1734	CONTROL UNIT	Tire pressure monitoring system malfunction in BCM	BCM malfunction

### DTC CONFIRMATION PROCEDURE

#### 1. DTC REPRODUCTION PROCEDURE

④ With CONSULT

1. Drive at a speed of 40 km/h (25 MPH) or more for several minutes without stopping.
2. Perform "SELF-DIAG RESULTS" in "AIR PRESSURE MONITOR" of "BCM".

**CAUTION:**

**Perform within 15 minutes after stop the vehicle.**

Is DTC "C1734" detected?

- YES >> Perform trouble diagnosis. Refer to [WT-32, "Diagnosis Procedure"](#).  
NO >> INSPECTION END

### Diagnosis Procedure

INFOID:000000007459337

#### 1. CHECK BCM POWER SUPPLY

1. Turn the ignition switch OFF.
2. Disconnect BCM harness connector.
3. Check voltage between BCM harness connector terminals and ground.

BCM		—	Voltage
Connector	Terminal		
M118	1	Ground	Battery voltage
M119	11		

Is the power supply normal?

- YES >> GO TO 2.  
NO >> Check the following. If any items are damaged, repair or replace damage parts.
- 40A fusible link [No. K located in the fuse block]. Refer to [PG-89, "Fuse and Fusible Link Arrangement"](#).
  - 10A fuse [No. 10 located in the fuse block (J/B)]. Refer to [PG-90, "Fuse, Connector and Terminal Arrangement"](#).
  - Harness for short or open between battery and BCM harness connector M118 terminal 1.
  - Harness for short or open between battery and BCM harness connector M119 terminal 11.
  - Check the Battery voltage.

#### 2. CHECK BCM GROUND

Check the continuity between BCM harness connector and ground.

BCM		—	Continuity
Connector	Terminal		
M119	13	Ground	Existed

Is the inspection result normal?

- YES >> GO TO 3.  
NO >> Repair or replace damaged parts.

#### 3. CHECK HARNESS BETWEEN BCM AND TIRE PRESSURE RECEIVER

1. Disconnect tire pressure receiver harness connector.
2. Check the continuity between BCM harness connector and tire pressure receiver harness connector.



# C1734 BCM

## < DTC/CIRCUIT DIAGNOSIS >

BCM		Tire pressure receiver		Continuity
Connector	Terminal	Connector	Terminal	
M123	137	M101	1	Existed
	138		4	
	139		2	

3. Check the continuity between BCM harness connector and ground.

BCM		—	Continuity
Connector	Terminal		
M123	137	Ground	Not existed
	138		
	139		

Is the inspection result normal?

- YES >> GO TO 4.
- NO >> Repair or replace damaged parts.

### 4.CHECK BCM

Check the BCM input/output signal. Refer to [BCS-46, "Reference Value"](#).

Is the inspection result normal?

- YES >> INSPECTION END
- NO >> GO TO 5.

### 5.CHECK BCM HARNESS CONNECTOR

Check the BCM pin terminals for damage or loose connection with harness connector.

Is the inspection result normal?

- YES >> Replace BCM. Refer to [BCS-92, "Exploded View"](#).
- NO >> Check for looseness or damage at the harness connector pins of the BCM. Repair or replace if necessary.

## Special Repair Requirement

INFOID:000000007459338

### 1.CHECK TIRE PRESSURE

Check all tires for tire pressures. Refer to [WT-53, "Tire Air Pressure"](#).

Does all tire pressure data meet the specification?

- YES >> GO TO 2.
- NO >> Inspect or repair the tires or wheels and adjust the tire pressure to the specification.

### 2.PERFORM ID REGISTRATION

Perform ID registration. Refer to [WT-21, "Work Procedure"](#).

>> END

# TIRE PRESSURE RECEIVER

< DTC/CIRCUIT DIAGNOSIS >

## TIRE PRESSURE RECEIVER

### Component Function Check

INFOID:000000007459339

#### 1. TIRE PRESSURE MONITORING SYSTEM OPERATION

④ With CONSULT

1. Drive for 3 minutes at a speed of 40 km/h (25 MPH) or more, then drive normally for 10 minutes.
2. On "DATA MONITOR", select "AIR PRESS FL", "AIR PRESS FR", "AIR PRESS RR" and "AIR PRESS RL", and check that the tire pressures match the standard value.

Monitor item	Condition	Displayed value
AIR PRESS FL	Drive for 3 minutes at a speed of 40 km/h (25 MPH) or more, then drive normally for 10 minutes.	Internal pressure of tires
AIR PRESS FR		
AIR PRESS RR		
AIR PRESS RL		

#### CAUTION:

Stop the vehicle and within 5 minutes, use CONSULT "DATA MONITOR" to display the tire pressure for all wheels.

Is the inspection result normal?

YES >> INSPECTION END

NO >> Perform trouble diagnosis. Refer to [WT-34, "Diagnosis Procedure"](#).

### Diagnosis Procedure

INFOID:000000007459340

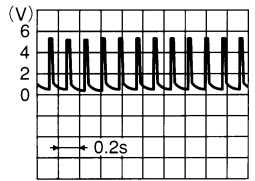
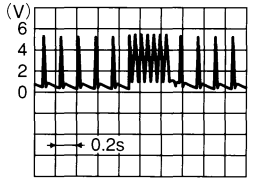
#### 1. CHECK TIRE PRESSURE RECEIVER SIGNAL

1. Turn the ignition switch ON.

#### CAUTION:

Never start the engine.

2. Check tire pressure receiver connector and ground signal with oscilloscope.

Tire pressure receiver		—	Condition	Voltage (Approx.)
Connector	Terminal			
M101	2	Ground	Stand by state	 <p>OCC3881D</p>
			When receiving the signal from the tire pressure sensor	 <p>OCC3880D</p>

Is the inspection result normal?

YES >> INSPECTION END

NO >> GO TO 2.

#### 2. CHECK TIRE PRESSURE RECEIVER INPUT VOLTAGE

1. Disconnect tire pressure receiver connector.
2. Check voltage between tire pressure receiver connector and ground.

# TIRE PRESSURE RECEIVER

## < DTC/CIRCUIT DIAGNOSIS >

Tire pressure receiver		—	Voltage (Approx.)
Connector	Terminal		
M101	4	Ground	5.0 V

Is the inspection result normal?

YES >> GO TO 3.

NO >> Repair or replace damaged parts.

### 3. CHECK TIRE PRESSURE RECEIVER GROUND CIRCUIT

1. Disconnect BCM harness connector.
2. Check continuity between BCM harness connector and tire pressure receiver connector.

BCM		Tire pressure receiver		Continuity
Connector	Terminal	Connector	Terminal	
M123	137	M101	1	Existed

3. Check continuity between BCM harness connector and ground.

BCM		—	Continuity
Connector	Terminal		
M123	137	Ground	Not existed

Is the inspection result normal?

YES >> GO TO 4.

NO >> Repair or replace damaged parts.

### 4. CHECK BCM CIRCUIT

Inspect the BCM circuit. Refer to [WT-32, "Diagnosis Procedure"](#).

Is the BCM circuit normal?

YES >> Replace tire pressure receiver. Refer to [WT-52, "Removal and Installation"](#).

NO >> Replace BCM. Refer to [BCS-92, "Exploded View"](#).

# LOW TIRE PRESSURE WARNING LAMP

< DTC/CIRCUIT DIAGNOSIS >

---

## LOW TIRE PRESSURE WARNING LAMP

### Component Function Check

INFOID:000000007459341

#### 1. CHECK THE ILLUMINATION OF THE LOW TIRE PRESSURE WARNING LAMP

Check that the low tire pressure warning lamp is turned OFF after illuminating for approximately 1 second, when the ignition switch is turned ON.

Is the inspection result normal?

YES >> INSPECTION END

NO >> Perform trouble diagnosis. Refer to [WT-36, "Diagnosis Procedure"](#).

### Diagnosis Procedure

INFOID:000000007459342

#### 1. POWER SUPPLY AND GROUND CIRCUIT

Check power supply and ground circuit. Refer to [WT-37, "Diagnosis Procedure"](#).

Is the inspection result normal?

YES >> GO TO 2.

NO >> Repair or replace damaged parts.

#### 2. PERFORM SELF-DIAGNOSIS

Ⓜ With CONSULT

Perform "SELF-DIAG RESULTS" in "AIR PRESSURE MONITOR" of "BCM".

Is any DTC detected?

YES >> Check the DTC. Refer to [BCS-86, "DTC Index"](#).

NO >> GO TO 3.

#### 3. CHECK LOW TIRE PRESSURE WARNING LAMP SIGNAL

Ⓜ With CONSULT

1. Turn the ignition switch ON.

**CAUTION:**

**Never start the engine.**

2. Perform "DATA MONITOR" in "AIR PRESSURE MONITOR" of "BCM".

3. Select "BCM" in "DATA MONITOR", and check that the low tire pressure warning lamp is turned OFF after illuminating for approximately 1 second, when the ignition switch is turned ON.

Is the inspection result normal?

YES >> Check the combination meter. Refer to [MWI-6, "METER SYSTEM : System Description"](#).

NO >> Replace the BCM. Refer to [BCS-92, "Exploded View"](#).

# POWER SUPPLY AND GROUND CIRCUIT

< DTC/CIRCUIT DIAGNOSIS >

## POWER SUPPLY AND GROUND CIRCUIT

### Diagnosis Procedure

INFOID:000000007459343

#### 1. POWER SUPPLY SYSTEM CHECK

1. Turn the ignition switch OFF.
2. Disconnect the BCM harness connector.
3. Turn the ignition switch ON.  
**CAUTION:**  
**Never start the engine.**
4. Check the voltage between the BCM harness connector and the ground.

BCM		—	Voltage
Connector	Terminal		
M118	1	Ground	Battery voltage
M119	11		

Is the inspection result normal?

- YES >> GO TO 2.  
NO >> Repair or replace damaged parts.

#### 2. GROUND SYSTEM INSPECTION

1. Turn the ignition switch OFF.
2. Check the continuity between the BCM harness connector and the ground.

BCM		—	Continuity
Connector	Terminal		
M119	13	Ground	Existed

Is the inspection result normal?

- YES >> • Check the 10A fuse [No. 10 in fuse block (J/B)].  
• Check the 40A fusible link [No. K in fuse block].  
NO >> Repair or replace damaged parts.

A  
B  
C  
D  
F  
G  
H  
I  
J  
K  
L  
M  
N  
O  
P

WT

< SYMPTOM DIAGNOSIS >

---

## SYMPTOM DIAGNOSIS

TPMS
















Symptom Table

INFOID:000000007459344

LOW TIRE PRESSURE WARNING LAMP SYMPTOM CHART

# TPMS


## < SYMPTOM DIAGNOSIS >

Diagnosis items	Symptom (Ignition switch ON)	Low tire pressure warning lamp	Cause	Action
Low tire pressure warning lamp	The low tire pressure warning lamp illuminates for 1 second, then turns OFF.	  ON 1 sec > stays OFF <small>SEIA0592E</small>	Wake-up operation for all tire pressure sensors at wheels is completed.	No system malfunctions
	The low tire pressure warning lamp repeats blinking ON for 2 seconds and OFF for 0.2 seconds.	 Blinks:  ON 2 sec > OFF 0.2 sec <small>SEIA0593E</small>	Wake-up operation for all tire pressure sensors at wheels is not completed.	Perform the wake-up operation for all tire pressure sensors at wheels. Refer to <a href="#">WT-20, "Work Procedure"</a> .
	The low tire pressure warning lamp blinks once.	 Blinks 1 time ON 0.3 sec > OFF 1.0 sec <small>JPEIC0090GB</small>	The front left tire pressure sensor is not activated.	Perform the wake-up operation for the tire pressure sensor at front left wheel. Refer to <a href="#">WT-20, "Work Procedure"</a> .
	The low tire pressure warning lamp repeats blinking twice.	  Blinks 2 times ON 0.3 sec > OFF 0.3 sec <small>SEIA0595E</small>	The front right tire pressure sensor is not activated.	Perform the wake-up operation for the tire pressure sensor at front right wheel. Refer to <a href="#">WT-20, "Work Procedure"</a> .
	The low tire pressure warning lamp repeats blinking for 3 times.	   Blinks 3 times ON 0.3 sec > OFF 0.3 sec <small>SEIA0596E</small>	The rear right tire pressure sensor is not activated.	Perform the wake-up operation for the tire pressure sensor at rear right wheel. Refer to <a href="#">WT-20, "Work Procedure"</a> .
	The low tire pressure warning lamp repeats blinking for 4 times.	    Blinks 4 times ON 0.3 sec > OFF 0.3 sec <small>SEIA0597E</small>	The rear left tire pressure sensor is not activated.	Perform the wake-up operation for the tire pressure sensor at rear left wheel. Refer to <a href="#">WT-20, "Work Procedure"</a> .
	The low tire pressure warning lamp turns ON and stays illuminated.	 Comes ON and stays ON <small>SEIA0598E</small>	Low tire pressure	Check the tire pressure for all wheels and adjust to the specified value. Refer to <a href="#">WT-53, "Tire Air Pressure"</a> .

A  
B  
C  
D  
WT  
F  
G  
H  
I  
J  
K  
L  
M  
N  
O  
P

# TPMS

## < SYMPTOM DIAGNOSIS >

Diagnosis items	Symptom (Ignition switch ON)	Low tire pressure warning lamp	Cause	Action
Low tire pressure warning lamp	The low tire pressure warning lamp repeats blinking at 0.5-second intervals for 1 minute, and then stays illuminated.	 <p style="text-align: center;">Blinks 1 min</p> <p style="text-align: center;">ON 0.5 sec &gt; OFF 0.5 sec and stays ON</p> <p style="text-align: center;"><small>SEIA0788E</small></p>	The combination meter fuse is open or removed (or pulled out).	Check and install the combination meter fuse. If necessary, replace the fuse.
			The BCM harness connector is removed.	Check the connection conditions of the BCM harness connector, and repair if necessary.
			Tire Pressure Monitoring System (TPMS) malfunction.	<ul style="list-style-type: none"> <li>Perform CONSULT self-diagnosis. Refer to <a href="#">BCS-18</a>, "COMMON ITEM : CONSULT Function (BCM - COMMON ITEM)".</li> <li>If necessary, perform tire pressure sensor ID registration. Refer to <a href="#">WT-21</a>, "Work Procedure".</li> </ul>
Turn signal lamp	The turn signal lamps do not blink twice when the tire pressure sensor is activated. Or the buzzer does not sound.	—	<ol style="list-style-type: none"> <li>The tire pressure sensor activation tool (J-45295) does not activate.</li> <li>The ignition switch is OFF when the tire pressure sensor wake-up operation is performed.</li> <li>The tire pressure sensor activation tool (J-45295) is not used in the correct position.</li> <li>The tire pressure sensor is already waked up.</li> </ol>	<ol style="list-style-type: none"> <li>Replace the battery in the tire pressure sensor activation tool (J-45295).</li> <li>Turn the ignition switch ON when performing the tire pressure sensor wake-up operation.</li> <li>Operate the tire pressure sensor activation tool (J-45295) in the correct position when performing the wake-up operation.</li> <li>No procedure.</li> </ol>

**NOTE:**

If tire pressure sensor wake-up operation is not completed for two or more tire pressure sensors, the applicable low tire pressure warning lamp blinking patterns are displayed continuously.  
 (Example: Blinks once/OFF/blinks 3 times = Wake-up operation is not completed at the front left wheel and rear right wheel tire pressure sensors.)



# LOW TIRE PRESSURE WARNING LAMP DOES NOT TURN ON

< SYMPTOM DIAGNOSIS >

## LOW TIRE PRESSURE WARNING LAMP DOES NOT TURN ON

### Description

INFOID:000000007459345

### DESCRIPTION

The low tire pressure warning lamp illuminates for approximately 1 second and then turns OFF when the ignition switch is turned ON. This is to check that no abnormal condition is present in the tire pressure monitoring system.

The lamp bulb may be burnt out or the tire pressure monitoring system may be malfunctioning if the low tire pressure warning lamp does not illuminate when the ignition switch is turned ON.

### Diagnosis Procedure

INFOID:000000007459346

#### 1. CHECK LOW TIRE PRESSURE WARNING LAMP

Perform trouble diagnosis of the low tire pressure warning lamp. Refer to [WT-36, "Diagnosis Procedure"](#).

Is the inspection result normal?

- YES >> Check pin terminal and connection of each connector for damage and loose connection.
- NO >> Repair or replace damaged parts.

A  
B  
C  
D  
WT  
F  
G  
H  
I  
J  
K  
L  
M  
N  
O  
P

# LOW TIRE PRESSURE WARNING LAMP DOES NOT TURN OFF

< SYMPTOM DIAGNOSIS >

## LOW TIRE PRESSURE WARNING LAMP DOES NOT TURN OFF

### Description

INFOID:000000007459347

The low tire pressure warning lamp does not turn OFF after several seconds is passed after engine starts.

### Diagnosis Procedure

INFOID:000000007459348

#### 1. CHECK TIRE PRESSURE

1. Turn the ignition switch ON.

**CAUTION:**

**Never start the engine.**

2. Check the tire pressure for all wheels and adjust to the specified value. Refer to [WT-53, "Tire Air Pressure"](#).

Is the inspection result normal?

YES >> GO TO 2.

NO >> Inspect or repair the tires or wheels.

#### 2. CHECK LOW TIRE PRESSURE WARNING LAMP

Check low tire pressure warning lamp display.

Does not low tire pressure warning lamp turn OFF?

YES >> GO TO 3.

NO >> INSPECTION END

#### 3. CHECK BCM

Ⓟ With CONSULT

Perform "SELF-DIAG RESULTS" in "AIR PRESSURE MONITOR" of "BCM".

Is any DTC detected?

YES >> Check the DTC. Refer to [BCS-86, "DTC Index"](#).

NO >> GO TO 4.

#### 4. CHECK BCM POWER SUPPLY AND GROUND

1. Turn the ignition switch OFF.
2. Disconnect the BCM harness connector.
3. Turn the ignition switch ON.  
**CAUTION:**  
**Never start the engine.**
4. Check the voltage between the BCM harness connector and the ground.

BCM		—	Voltage
Connector	Terminal		
M118	1	Ground	Battery voltage
M119	11		

Is the inspection result normal?

YES >> Replace BCM. Refer to [BCS-92, "Exploded View"](#).

NO >> Repair or replace damaged parts.

# LOW TIRE PRESSURE WARNING LAMP BLINKS

< SYMPTOM DIAGNOSIS >

## LOW TIRE PRESSURE WARNING LAMP BLINKS

### Description

INFOID:000000007459349

The low tire pressure warning lamp blinks when the ignition switch is turned ON.

**NOTE:**

The position of an inactive tire pressure sensor can be identified by checking the blinking timing of the low tire pressure warning lamp.

Low tire pressure warning lamp blinking timing		Activation tire position
ON OFF		a : 0.3 sec. b : 1.0 sec. Front LH
ON OFF		a : 0.3 sec. b : 1.0 sec. Front RH
ON OFF		a : 0.3 sec. b : 1.0 sec. Rear RH
ON OFF		a : 0.3 sec. b : 1.0 sec. Rear LH
ON OFF		a : 2 sec. b : 0.2 sec. All tires

JPEIC0089GB

### Diagnosis Procedure

INFOID:000000007459350

#### 1. TIRE PRESSURE SENSOR WAKE-UP OPERATION

Perform the tire pressure sensor wake-up. Refer to [WT-20, "Work Procedure"](#).

Is the tire pressure sensor wake-up completed?

YES >> GO TO 2.

NO >> Perform trouble diagnosis for the tire pressure sensor. Refer to [WT-25, "Diagnosis Procedure"](#).

#### 2. TIRE PRESSURE SENSOR ID REGISTRATION

Perform tire pressure sensor ID registration. Refer to [WT-21, "Work Procedure"](#).

Is tire pressure sensor ID registration completed?

YES >> INSPECTION END

NO >> Perform the self-diagnosis for "AIR PRESSURE MONITOR". Refer to [BCS-86, "DTC Index"](#).

# ID REGISTRATION CANNOT BE COMPLETED

< SYMPTOM DIAGNOSIS >

---

## ID REGISTRATION CANNOT BE COMPLETED

### Description

INFOID:000000007459351

The ID of the tire pressure sensor installed in each wheel cannot be registered in the tire pressure monitoring system. Inspect the tire pressure sensor or the tire pressure monitoring system circuit.

### Diagnosis Procedure

INFOID:000000007459352

#### 1. TIRE PRESSURE SENSOR WAKE-UP

---

Perform the tire pressure sensor wake-up. Refer to [WT-20. "Work Procedure"](#).

Is the tire pressure sensor wake-up completed?

YES >> GO TO 3.

NO >> GO TO 2.

#### 2. CHECK TIRE PRESSURE SENSOR ACTIVATION TOOL

---

Check tire pressure sensor activation tool.

Is the inspection result normal?

YES >> GO TO 3.

NO >> Replace the battery of tire pressure sensor activation tool or repair/replace the tire pressure sensor activation tool.

#### 3. TIRE PRESSURE SENSOR ID REGISTRATION

---

Perform tire pressure sensor ID registration. Refer to [WT-21. "Work Procedure"](#).

**CAUTION:**

To perform ID registration, observe the following points:

- Never register ID in a place where radio waves are interfered (e.g. radio tower).
- Never register ID in a place close to vehicles including TPMS.

Is tire pressure sensor ID registration completed?

YES >> INSPECTION END

NO >> GO TO 4.

#### 4. CHECK TIRE PRESSURE SIGNAL

---

Change the work location and perform ID registration again.

**NOTE:**

Depending on the tire pressure sensor position\*, a blind spot exists, and the tire pressure receiver gets a poor reception. If an ID registration is performed under this condition, the registration may not be completed.

In such case, follow the instructions below to improve the radio wave receiving environment.

- Rotate tire by 90°, 180°, or 270°. (This Step is to change tire pressure sensor position.)
- Open the door close to the tire of which ID registration is ongoing.

\*: Radio wave reception condition depends on vehicle architecture (e.g. body harness layout, tire wheel design) or environment.

When ID registration is performed, which wheels do not react?

All wheels react and ID registration is possible.>>INSPECTION END

Only certain wheel(s) do not react.>>Replace applicable tire pressure sensor. Refer to [WT-50. "Removal and Installation"](#).

All wheels do not react.>>Check the tire pressure receiver. Refer to [WT-34. "Component Function Check"](#).

# NOISE, VIBRATION AND HARSHNESS (NVH) TROUBLESHOOTING

< SYMPTOM DIAGNOSIS >

## NOISE, VIBRATION AND HARSHNESS (NVH) TROUBLESHOOTING

### NVH Troubleshooting Chart

INFOID:000000007459353

Use chart below to find the cause of the symptom. If necessary, repair or replace these parts.

Reference page		Possible cause and SUSPECTED PARTS																		
Reference page		2WD models: <a href="#">FSU-9</a> , <a href="#">FSU-12</a> AWD models: <a href="#">FSU-28</a> , <a href="#">FSU-31</a>		<a href="#">WT-48</a> , " <a href="#">Inspection</a> "	<a href="#">WT-46</a> , " <a href="#">Adjustment</a> "	<a href="#">WT-53</a> , " <a href="#">Tire Air Pressure</a> "	<a href="#">WT-46</a> , " <a href="#">Adjustment</a> "	—	—	<a href="#">WT-53</a> , " <a href="#">Tire Air Pressure</a> "	NVH in DLN section.	NVH in DLN section.	NVH in FAX and FSU sections.	NVH in RAX and RSU sections.	Refer to TIRES in this chart.	Refer to ROAD WHEEL in this chart.	NVH in FAX, RAX section.	NVH in BR section.	NVH in ST section.	
Possible cause and SUSPECTED PARTS		Improper installation, looseness	Out-of-round	unbalance	Incorrect tire pressure	Uneven tire wear	Deformation or damage	Non-uniformity	Incorrect tire size	PROPELLER SHAFT	DIFFERENTIAL	FRONT AXLE AND FRONT SUSPENSION	REAR AXLE AND REAR SUSPENSION	TIRES	ROAD WHEELS	DRIVE SHAFT	BRAKE	STEERING		
Symptom	TIRES	Noise	x	x	x	x	x	x	x	x	x	x	x	x	x	x	x	x	x	
		Shake	x	x	x	x	x	x	x	x	x	x	x	x	x	x	x	x	x	
		Vibration				x				x	x		x	x			x			x
		Shimmy	x	x	x	x	x	x	x	x			x	x		x		x		x
		Judder	x	x	x	x	x	x		x			x	x		x		x		x
		Poor quality ride or handling	x	x	x	x	x	x		x			x		x	x				
	ROAD WHEEL	Noise	x	x	x			x			x	x	x	x	x		x	x	x	
		Shake	x	x	x			x			x		x	x	x		x	x	x	
Shimmy, Judder		x	x	x			x					x	x	x			x	x		
Poor quality ride or handling		x	x	x			x					x	x	x						

x: Applicable

A  
B  
C  
D  
E  
F  
G  
H  
I  
J  
K  
L  
M  
N  
O  
P

WT

# ROAD WHEEL

< PERIODIC MAINTENANCE >

## PERIODIC MAINTENANCE

### ROAD WHEEL

#### Adjustment

INFOID:000000007459354

#### BALANCING WHEELS (BONDING WEIGHT TYPE)

##### Preparation Before Adjustment

Using releasing agent, remove double-faced adhesive tape from the road wheel.

##### CAUTION:

- **Be careful not to scratch the road wheel during removal.**
- **After removing double-faced adhesive tape, wipe clean traces of releasing agent from the road wheel.**

##### Wheel Balance Adjustment

If a tire balance machine has adhesion balance weight mode settings and drive-in weight mode setting, select and adjust a drive-in weight mode suitable for road wheels.

1. Set road wheel on tire balance machine using the center hole as a guide. Start the tire balance machine.
2. When inner and outer unbalance values are shown on the tire balance machine indicator, multiply outer unbalance value by  $5/3$  to determine balance weight that should be used. Select the outer balance weight with a value closest to the calculated value above and install to the designated outer position of, or at the designated angle in relation to the road wheel.

##### CAUTION:

- **Do not install the inner balance weight before installing the outer balance weight.**
- **Before installing the balance weight, be sure to clean the mating surface of the road wheel.**

- a. Indicated unbalance value  $\times 5/3$  = balance weight to be installed

##### Calculation example:

$23 \text{ g (0.81 oz)} \times 5/3 = 38.33 \text{ g (1.35 oz)} \Rightarrow 37.5 \text{ g (1.32 oz)}$  balance weight (closer to calculated balance weight value)

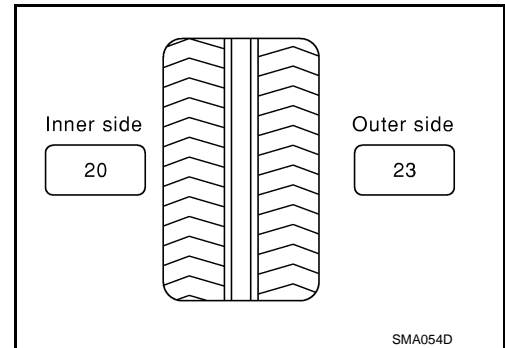
##### NOTE:

Note that balance weight value must be closer to the calculated balance weight value.

##### Example:

$36.2 \Rightarrow 35 \text{ g (1.23 oz)}$

$36.3 \Rightarrow 37.5 \text{ g (1.32 oz)}$



- b. Installed balance weight in the position.

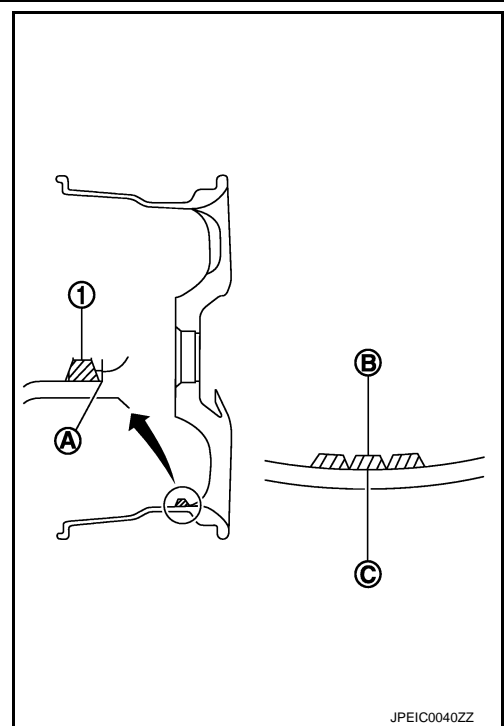
# ROAD WHEEL

## < PERIODIC MAINTENANCE >

- When installing balance weight (1) to road wheels, set it into the grooved area (A) on the inner wall of the road wheel as shown in the figure so that the balance weight center (B) is aligned with the tire balance machine indication position (angle) (C).

**CAUTION:**

- Always use genuine NISSAN adhesion balance weights.
- Balance weights are non-reusable; always replace with new ones.
- Do not install more than three sheets of balance weight.



- If calculated balance weight value exceeds 50 g (1.76 oz), install two balance weight sheets in line with each other as shown in the figure.

**CAUTION:**

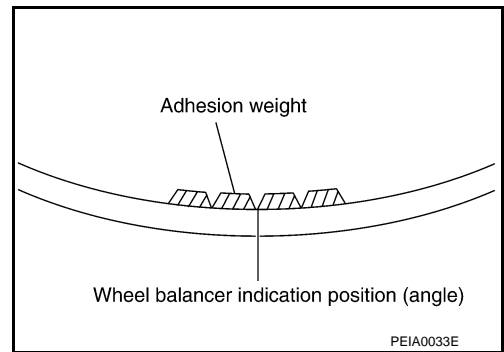
**Do not install one balance weight sheet on top of another.**

- Start the tire balance machine again.
- Install drive-in balance weight on inner side of road wheel in the tire balance machine indication position (angle).

**CAUTION:**

**Do not install more than two balance weight.**

- Start the tire balance machine. Make sure that inner and outer residual unbalance values are 5 g (0.17 oz) each or below.
- If either residual unbalance value exceeds 5 g (0.17 oz), repeat installation procedures.



**Limit**

**Dynamic (At flange):** Refer to [WT-53, "Road Wheel"](#).

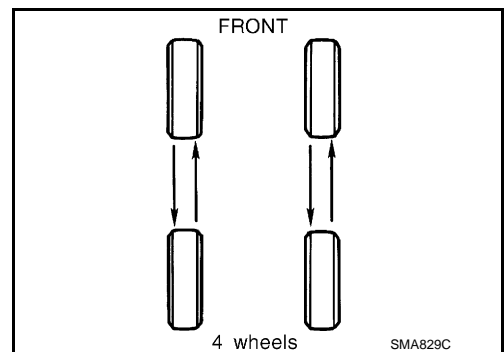
**Static (At flange):** Refer to [WT-53, "Road Wheel"](#).

## TIRE ROTATION

- Follow the maintenance schedule for tire rotation service intervals. Refer to [MA-4, "Explanation of General Maintenance"](#).
- When installing the wheel, tighten wheel nuts to the specified torque. Refer to [WT-48, "Exploded View"](#).

**CAUTION:**

- Do not include the T-type spare tire when rotating the tires.
  - When installing wheels, tighten them diagonally by dividing the work two to three times in order to prevent the wheels from developing any distortion.
  - Be careful not to tighten wheel nut at torque exceeding the criteria for preventing strain of disc rotor.
  - Use NISSAN genuine wheel nuts for aluminum wheels.
- Perform the ID registration, after tire rotation. Refer to [WT-21, "Work Procedure"](#).



# ROAD WHEEL TIRE ASSEMBLY

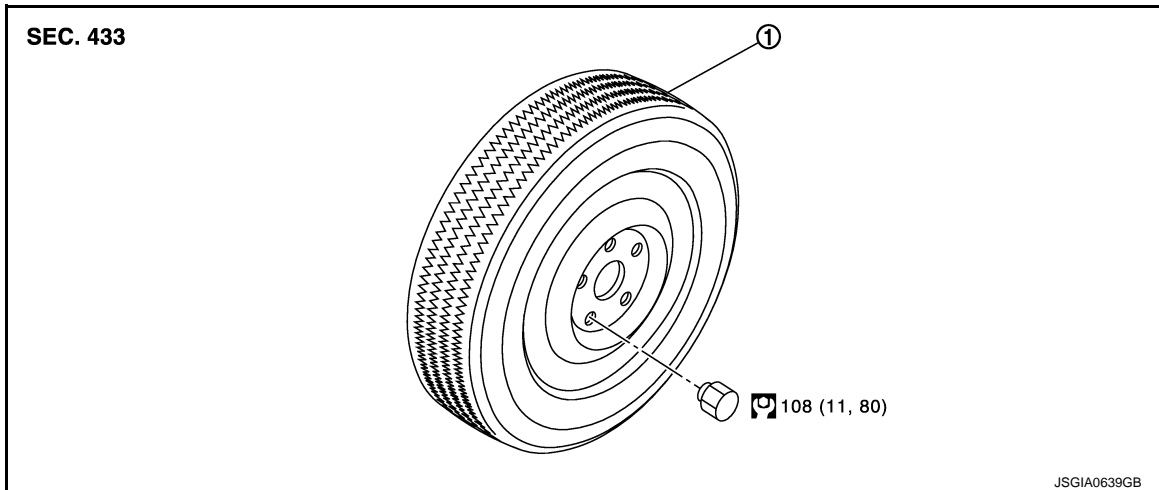
< REMOVAL AND INSTALLATION >

## REMOVAL AND INSTALLATION

### ROAD WHEEL TIRE ASSEMBLY

Exploded View

INFOID:000000007459355



1. Tire assembly

Refer to [GI-4. "Components"](#) for symbols in the figure.

### Removal and Installation

INFOID:000000007459356

#### REMOVAL

1. Remove wheel nuts.
2. Remove tire assembly.

#### INSTALLATION

Install in the reverse order of removal.

#### Inspection

INFOID:000000007459357

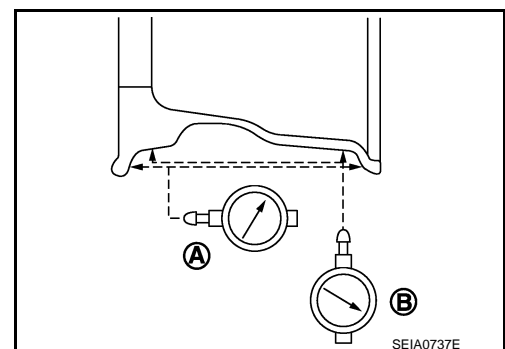
#### ALUMINUM WHEEL

1. Check tires for wear and improper inflation.
2. Check wheels for deformation, cracks and other damage. If deformed, remove wheel and check wheel runout.
  - a. Remove tire from aluminum wheel and mount on a tire balance machine.
  - b. Set dial indicator as shown in the figure.
  - c. Check runout, If the axial runout (A) or radial runout (B) exceeds the limit, replace aluminum wheel.

#### Limit

**Axial runout (A)** : Refer to [WT-53. "Road Wheel"](#).

**Radial runout (B)** : Refer to [WT-53. "Road Wheel"](#).



#### STEEL WHEEL

1. Check tires for wear and improper inflation.



# ROAD WHEEL TIRE ASSEMBLY

## < REMOVAL AND INSTALLATION >

2. Check wheels for deformation, clacks and other damage. If deformed, remove wheel and check wheel runout.
  - a. Remove tire from steel wheel and mount wheel on a tire balance machine.
  - b. Set two dial indicators as shown in the illustration.
  - c. Set each dial indicator to "0".
  - d. Rotate wheel and check dial indicators at several points around the circumference of the wheel.
  - e. Calculate runout at each point as shown below.

**Axial runout (A)** :  $(1+2)/2$

**Radial runout (B)** :  $(3+4)/2$

- f. Select maximum positive runout value and the maximum negative value. Add the two values to determine total runout.

**CAUTION:**

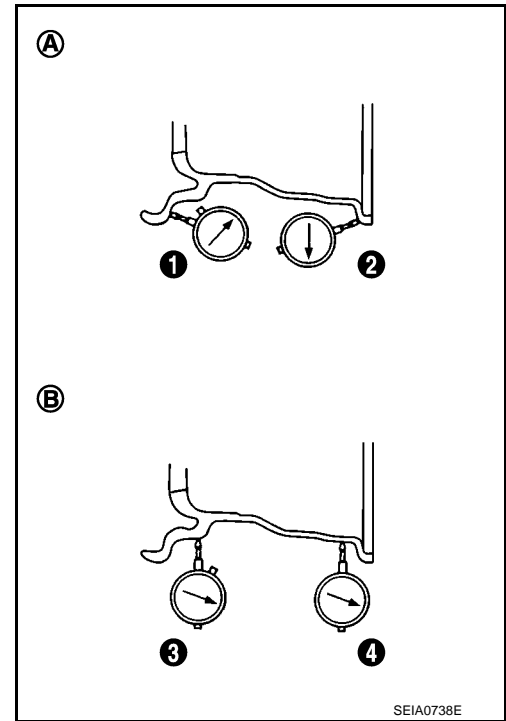
**In case a positive or negative value is not available, use the maximum value (negative or positive) for total runout.**

**Limit**

**A:** Refer to [WT-53, "Road Wheel"](#).

**B:** Refer to [WT-53, "Road Wheel"](#).

- g. If the total runout value exceeds limit, replace steel wheel.



A  
B  
C  
D  
WT  
F  
G  
H  
I  
J  
K  
L  
M  
N  
O  
P

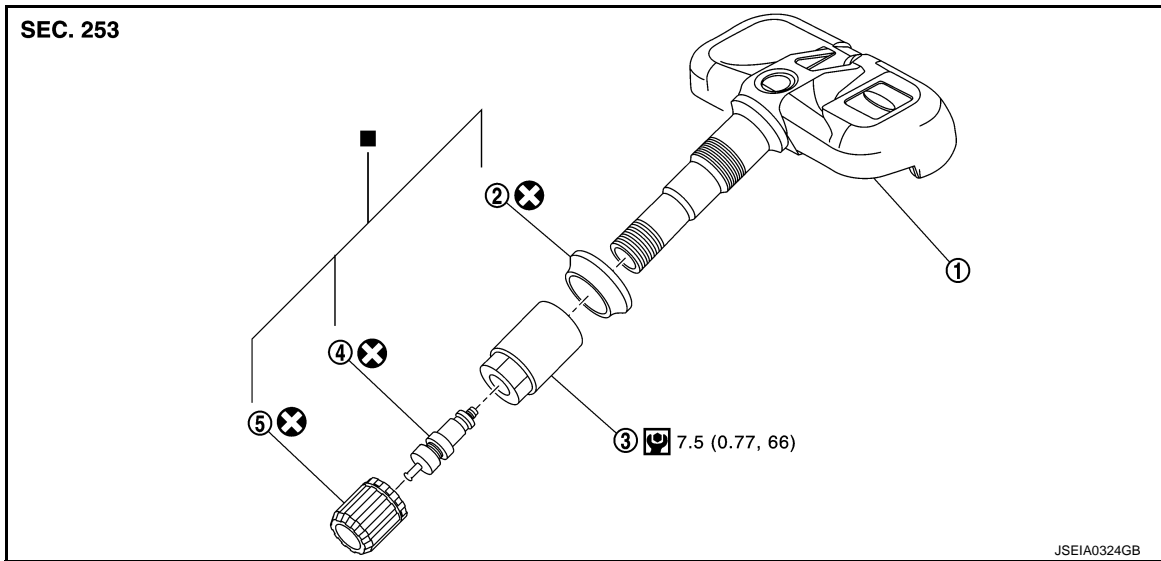
# TIRE PRESSURE SENSOR

< REMOVAL AND INSTALLATION >

## TIRE PRESSURE SENSOR

### Exploded View

INFOID:000000007459358



- |                         |                 |              |
|-------------------------|-----------------|--------------|
| 1. Tire pressure sensor | 2. Grommet seal | 3. Valve nut |
| 4. Valve core           | 5. Valve cap    |              |

■ : Parts that are replaced as a set when the tire is replaced.

Refer to [GI-4, "Components"](#) for symbols not described above.

### Removal and Installation

INFOID:000000007459359

#### REMOVAL

1. Remove tire assembly. Refer to [WT-48, "Removal and Installation"](#).
2. Remove valve cap, valve core and then deflate tire.

#### NOTE:

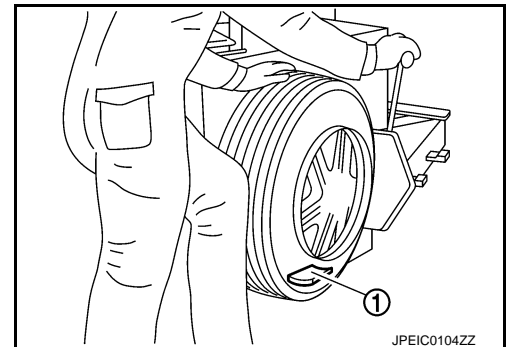
If the tire is reused, apply a matching mark to the position of the tire road wheel valve hole for the purpose of wheel balance adjustment after installation.

3. Remove valve nut retaining tire pressure sensor and allow tire pressure sensor to fall into tire.
4. Use the tire changer and disengage the tire beads.

#### CAUTION:

- Verify that the tire pressure sensor (1) is at the bottom of the tire while performing the above.
- Be sure not to damage the road wheel or tire pressure sensor.

5. Apply bead cream or an equivalent to the tire beads.
6. Set tire onto the tire changer turntable so that the tire pressure sensor inside the tire is located close to the road wheel valve hole.



# TIRE PRESSURE SENSOR

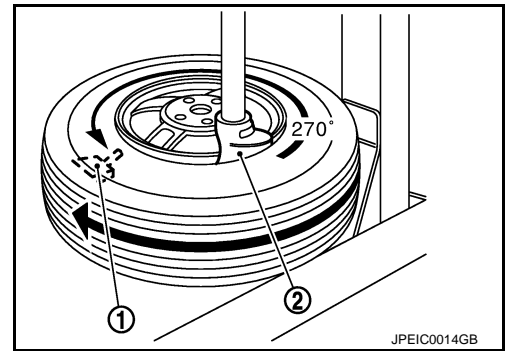
## < REMOVAL AND INSTALLATION >

- Turn tire so that valve hole is at bottom and bounce so that tire pressure sensor (1) is near valve hole. Carefully lift tire onto turntable and position valve hole (and tire pressure sensor) 270 degree from mounting/dismounting head (2).

**CAUTION:**

**Be sure not to damage the road wheel and tire pressure sensor.**

- Remove tire pressure sensor from tire.
- Remove the grommet seal.



## INSTALLATION

- Apply bead cream or an equivalent to the tire beads.
- Install the tire inside beads (1) onto the road wheel (2) in the position shown in the figure.
- Install grommet seal to the tire pressure sensor.

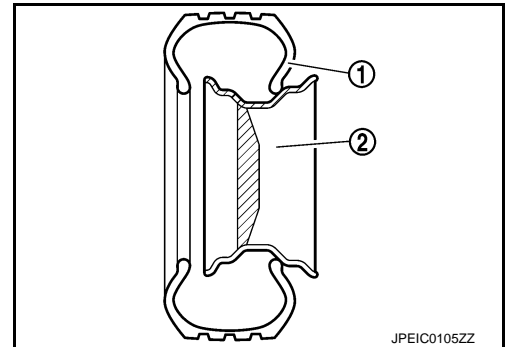
**CAUTION:**

**Never reuse grommet seal.**

- Install the tire pressure sensor onto the road wheel, and tighten the valve nut to the specified torque.

**CAUTION:**

- **Never reuse valve core and valve cap.**
- **Never use a power tool to avoid impact.**



- Set the tire onto the turntable so that the tire changer arm (2) is at a position approximately 270° from the tire pressure sensor (1).

**CAUTION:**

**Be sure that the arm does not contact the tire pressure sensor.**

- Install the tire outer side beads onto the road wheel.

**CAUTION:**

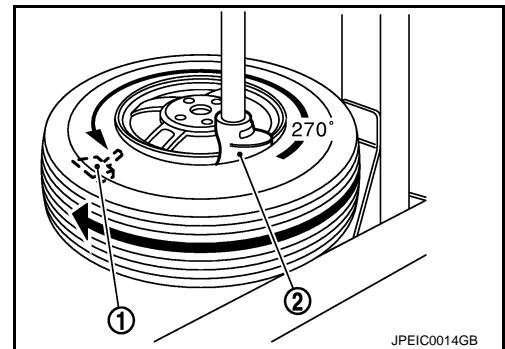
**When installing, check that the tire does not turn together with the road wheel.**

- Check the tire pressure for all wheels and adjust to the specified value. Refer to [WT-53. "Tire Air Pressure"](#).

**NOTE:**

Before adding air, align the tire with the position of the matching mark applied at the time of removal.

- Install tire to the vehicle. Refer to [WT-48. "Removal and Installation"](#).
- Perform tire pressure sensor ID registration. Refer to [WT-21. "Work Procedure"](#).



A  
B  
C  
D

WT

F  
G  
H

I  
J  
K  
L

M

N

O

P

# TIRE PRESSURE RECEIVER

< REMOVAL AND INSTALLATION >

---

## TIRE PRESSURE RECEIVER

### Removal and Installation

INFOID:000000007459360

#### REMOVAL

1. Remove the instrument lower cover. Refer to [IP-12, "Exploded View"](#).
2. Remove the instrument lower panel RH. Refer to [IP-12, "Exploded View"](#).
3. Disconnect tire pressure receiver harness connector.
4. Remove Tire pressure receiver mounting screw.
5. Remove tire pressure receiver.

#### INSTALLATION

Install is the reverse order of removal.

## SERVICE DATA AND SPECIFICATIONS (SDS)

< SERVICE DATA AND SPECIFICATIONS (SDS)

# SERVICE DATA AND SPECIFICATIONS (SDS)

## SERVICE DATA AND SPECIFICATIONS (SDS)

### Road Wheel

INFOID:000000007459361

#### ALUMINUM WHEEL (CONVENTIONAL)

Item		Limit
Runout	Axial runout	Less than 0.3 mm (0.012 in)
	Radial runout	
Allowable unbalance	Dynamic (At flange)	Less than 5 g (0.17 oz) (one side)
	Static (At flange)	Less than 10 g (0.35 oz)

#### STEEL WHEEL (FOR EMERGENCY USE)

Item		Limit
Runout	Axial runout (Average)	Less than 1.5 mm (0.059 in)
	Radial runout (Average)	

### Tire Air Pressure

INFOID:000000007459362

Unit: kPa (kg/cm<sup>2</sup>, psi)

Item	Standard	
	Front	Rear
P225/55R18 97V	230 (2.3, 33)	
P245/45R19 98V	230 (2.3, 33)	
T165/80R17 104M	420 (4.2, 60)	
T165/80D17 104M		