

SECTION **BRC**

BRAKE CONTROL SYSTEM

A
B
C
D
E

CONTENTS

VDC/TCS/ABS		BRC
BASIC INSPECTION	Component Parts Location	23
DIAGNOSIS AND REPAIR WORK FLOW	Component Description	25
Work Flow	EBD	26
Diagnostic Work Sheet	System Diagram	26
INSPECTION AND ADJUSTMENT	System Description	27
ADDITIONAL SERVICE WHEN REPLACING CONTROL UNIT	Component Parts Location	28
ADDITIONAL SERVICE WHEN REPLACING CONTROL UNIT : Description	Component Description	30
ADDITIONAL SERVICE WHEN REPLACING CONTROL UNIT : Special Repair Requirement	DIAGNOSIS SYSTEM [ABS ACTUATOR AND ELECTRIC UNIT (CONTROL UNIT)]	31
ADJUSTMENT OF STEERING ANGLE SENSOR NEUTRAL POSITION	CONSULT Function	31
ADJUSTMENT OF STEERING ANGLE SENSOR NEUTRAL POSITION : Description	DTC/CIRCUIT DIAGNOSIS	37
ADJUSTMENT OF STEERING ANGLE SENSOR NEUTRAL POSITION : Special Repair Requirement	C1101, C1102, C1103, C1104 WHEEL SENSOR	37
SYSTEM DESCRIPTION	Description	37
VDC	DTC Logic	37
System Diagram	Diagnosis Procedure	37
System Description	Special Repair Requirement	39
Component Parts Location	C1105, C1106, C1107, C1108 WHEEL SENSOR	40
Component Description	Description	40
TCS	DTC Logic	40
System Diagram	Diagnosis Procedure	40
System Description	Special Repair Requirement	44
Component Parts Location	C1109 POWER AND GROUND SYSTEM	45
Component Description	Description	45
ABS	DTC Logic	45
System Diagram	Diagnosis Procedure	45
System Description	Special Repair Requirement	46
	C1110, C1153, C1170 ABS ACTUATOR AND ELECTRIC UNIT (CONTROL UNIT)	47
	DTC Logic	47
	Diagnosis Procedure	47
	Special Repair Requirement	47

G
H
I
J
K
L
M
N
O
P

C1111 ABS MOTOR, MOTOR RELAY SYSTEM	48	C1145, C1146 YAW RATE/SIDE G SENSOR...	73
Description	48	Description	73
DTC Logic	48	DTC Logic	73
Diagnosis Procedure	48	Diagnosis Procedure	73
Special Repair Requirement	49	Special Repair Requirement	75
C1115 WHEEL SENSOR	50	C1147, C1148, C1149, C1150 USV/HSV LINE..	76
Description	50	Description	76
DTC Logic	50	DTC Logic	76
Diagnosis Procedure	50	Diagnosis Procedure	76
Special Repair Requirement	54	Special Repair Requirement	77
C1116 STOP LAMP SWITCH	55	C1154 TRANSMISSION RANGE SWITCH	78
Description	55	Description	78
DTC Logic	55	DTC Logic	78
Diagnosis Procedure	55	Diagnosis Procedure	78
Component Inspection	58	Special Repair Requirement	78
Special Repair Requirement	58	C1155 BRAKE FLUID LEVEL SWITCH	80
C1120, C1122, C1124, C1126 IN ABS SOL	60	Description	80
Description	60	DTC Logic	80
DTC Logic	60	Diagnosis Procedure	80
Diagnosis Procedure	60	Component Inspection	82
Special Repair Requirement	61	Special Repair Requirement	82
C1121, C1123, C1125, C1127 OUT ABS SOL..	62	C1185 ICC UNIT	83
Description	62	Description	83
DTC Logic	62	DTC Logic	83
Diagnosis Procedure	62	Diagnosis Procedure	83
Special Repair Requirement	63	Special Repair Requirement	83
C1130 ENGINE SIGNAL	64	C1197 VACUUM SENSOR	84
Description	64	Description	84
DTC Logic	64	DTC Logic	84
Diagnosis Procedure	64	Diagnosis Procedure	84
Special Repair Requirement	64	Special Repair Requirement	85
C1140 ACTUATOR RELAY SYSTEM	66	C1198 VACUUM SENSOR	86
Description	66	Description	86
DTC Logic	66	DTC Logic	86
Diagnosis Procedure	66	Diagnosis Procedure	86
Special Repair Requirement	67	Special Repair Requirement	87
C1142 PRESS SENSOR	68	C1199 VACUUM SENSOR	88
Description	68	Description	88
DTC Logic	68	DTC Logic	88
Diagnosis Procedure	68	Diagnosis Procedure	88
Special Repair Requirement	69	Special Repair Requirement	89
C1143 STEERING ANGLE SENSOR	70	C119A VACUUM SENSOR	90
Description	70	Description	90
DTC Logic	70	DTC Logic	90
Diagnosis Procedure	70	Diagnosis Procedure	90
Special Repair Requirement	71	Special Repair Requirement	91
C1144 INCOMPLETE STEERING ANGLE SENSOR ADJUSTMENT	72	U1000 CAN COMM CIRCUIT	92
DTC Logic	72	Description	92
Diagnosis Procedure	72	DTC Logic	92
Special Repair Requirement	72	Diagnosis Procedure	92
		Special Repair Requirement	92

U1002 SYSTEM COMM (CAN)	93	UNEXPECTED PEDAL REACTION	120	
Description	93	Diagnosis Procedure	120	A
DTC Logic	93	THE BRAKING DISTANCE IS LONG	121	
Diagnosis Procedure	93	Diagnosis Procedure	121	B
Special Repair Requirement	94	ABS FUNCTION DOES NOT OPERATE	122	
U1100 CAN COMM CIRCUIT (ICC UNIT)	95	Diagnosis Procedure	122	C
Description	95	PEDAL VIBRATION OR ABS OPERATION		
DTC Logic	95	SOUND OCCURS	123	
Diagnosis Procedure	95	Diagnosis Procedure	123	D
Special Repair Requirement	95	VEHICLE JERKS DURING VDC/TCS/ABS		
POWER SUPPLY AND GROUND CIRCUIT	96	CONTROL	124	
Description	96	Diagnosis Procedure	124	E
Diagnosis Procedure	96	NORMAL OPERATING CONDITION	125	
PARKING BRAKE SWITCH	98	Description	125	
Component Function Check	98	PRECAUTION	126	
Diagnosis Procedure	98	PRECAUTIONS	126	G
Component Inspection	98	Precaution for Supplemental Restraint System		
VDC OFF SWITCH	100	(SRS) "AIR BAG" and "SEAT BELT PRE-TEN-		
Description	100	SIONER"	126	H
Component Function Check	100	Precaution for Brake System	126	
Diagnosis Procedure	100	Precaution for Brake Control	127	
Component Inspection	101	Precautions for Harness Repair	127	I
ABS WARNING LAMP	102	PREPARATION	128	
Description	102	PREPARATION	128	J
Component Function Check	102	Special Service Tool	128	
Diagnosis Procedure	102	Commercial Service Tool	128	
BRAKE WARNING LAMP	103	REMOVAL AND INSTALLATION	129	K
Description	103	WHEEL SENSOR	129	
Component Function Check	103	FRONT WHEEL SENSOR	129	L
Diagnosis Procedure	103	FRONT WHEEL SENSOR : Exploded View	129	
VDC OFF INDICATOR LAMP	104	FRONT WHEEL SENSOR : Removal and Instal-		
Description	104	lation	129	M
Component Function Check	104	REAR WHEEL SENSOR	130	
Diagnosis Procedure	104	REAR WHEEL SENSOR : Exploded View	130	
VDC WARNING LAMP	105	REAR WHEEL SENSOR : Removal and Installa-		
Description	105	tion	130	N
Component Function Check	105	SENSOR ROTOR	131	
Diagnosis Procedure	105	FRONT SENSOR ROTOR	131	O
ECU DIAGNOSIS INFORMATION	106	FRONT SENSOR ROTOR : Exploded View	131	
ABS ACTUATOR AND ELECTRIC UNIT		FRONT SENSOR ROTOR : Removal and Instal-		
(CONTROL UNIT)	106	lation	131	P
Reference Value	106	REAR SENSOR ROTOR	131	
Wiring Diagram - BRAKE CONTROL SYSTEM -..	111	REAR SENSOR ROTOR : Exploded View	131	
Fail-Safe	116	REAR SENSOR ROTOR : Removal and Installa-		
DTC No. Index	117	tion	131	
SYMPTOM DIAGNOSIS	119	EXCESSIVE ABS FUNCTION OPERATION		
FREQUENCY	119	FREQUENCY	119	
Diagnosis Procedure	119	Diagnosis Procedure	119	

BRC

ABS ACTUATOR AND ELECTRIC UNIT (CONTROL UNIT)	132	Precautions for Preview Function Service	141
Exploded View	132	INTELLIGENT BRAKE ASSIST	
Removal and Installation	132	SYSTEM DESCRIPTION	142
YAW RATE/SIDE G SENSOR	134	INTELLIGENT BRAKE ASSIST	142
Exploded View	134	System Description	142
Removal and Installation	134	Component Parts Location	143
STEERING ANGLE SENSOR	135	Component Description	144
Exploded View	135	DTC/CIRCUIT DIAGNOSIS	145
Removal and Installation	135	INTELLIGENT BRAKE ASSIST	145
BRAKE ASSIST (WITH PREVIEW FUNCTION)		Diagnosis Procedure	145
SYSTEM DESCRIPTION	136	SYMPTOM DIAGNOSIS	146
PREVIEW FUNCTION	136	SWITCH DOES NOT TURN ON / SWITCH DOES NOT TURN OFF	146
System Description	136	Symptom Table	146
Component Parts Location	137	Description	146
Component Description	138	Diagnosis Procedure	146
DTC/CIRCUIT DIAGNOSIS	139	NORMAL OPERATING CONDITION	148
PREVIEW FUNCTION	139	Description	148
Diagnosis Procedure	139	PRECAUTION	149
SYMPTOM DIAGNOSIS	140	PRECAUTIONS	149
NORMAL OPERATING CONDITION	140	Precautions for IBA System Service	149
Description	140	REMOVAL AND INSTALLATION	150
PRECAUTION	141	IBA OFF SWITCH	150
PRECAUTIONS	141	Removal and Installation	150

BASIC INSPECTION

DIAGNOSIS AND REPAIR WORK FLOW

Work Flow

INFOID:000000008286258

PRECAUTIONS FOR DIAGNOSIS

If steering angle sensor, steering system parts, suspension system parts, ABS actuator and electric unit (control unit) or tires have been replaced, or if wheel alignment has been adjusted, be sure to adjust neutral position of steering angle sensor before driving. Refer to [BRC-9, "ADJUSTMENT OF STEERING ANGLE SENSOR NEUTRAL POSITION : Description"](#).

- A
- B
- C
- D
- E
- F
- G
- H
- I
- J
- K
- L
- M
- N
- O
- P

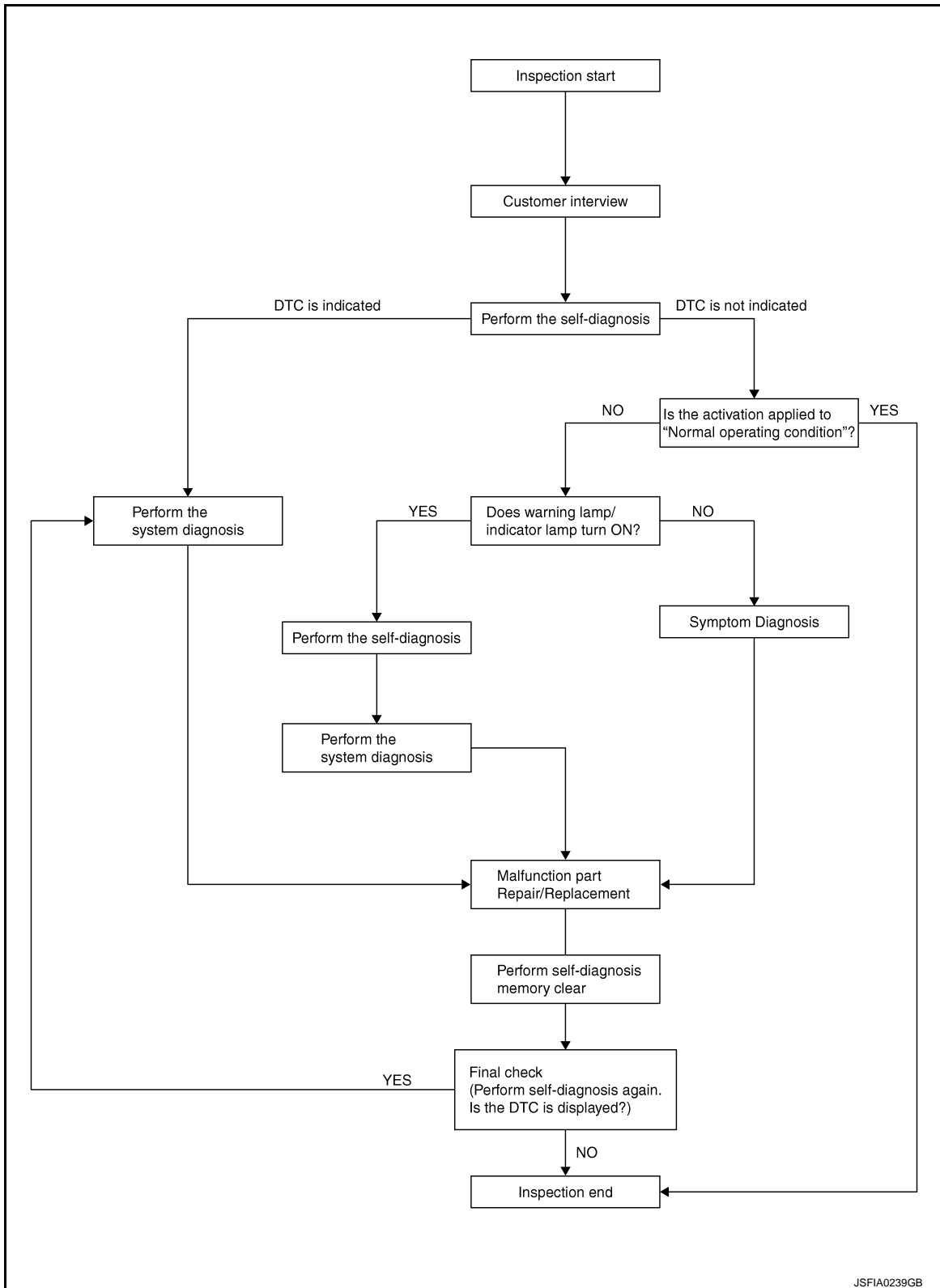
BRC

DIAGNOSIS AND REPAIR WORK FLOW

< BASIC INSPECTION >

[VDC/TCS/ABS]

OVERALL SEQUENCE



DETAILED FLOW

1. COLLECT THE INFORMATION FROM THE CUSTOMER

Get the detailed information from the customer about the symptom (the condition and the environment when the incident/malfunction occurred) using the diagnosis work sheet. Refer to [BRC-8, "Diagnostic Work Sheet"](#).

>> GO TO 2.

DIAGNOSIS AND REPAIR WORK FLOW

< BASIC INSPECTION >

[VDC/TCS/ABS]

2. PERFORM THE SELF-DIAGNOSIS

Perform self-diagnosis for "ABS" with CONSULT.

Is there any DTC displayed?

- YES >> Record or print self-diagnosis results and freeze frame data (FFD). GO TO 3.
NO >> GO TO 4.

3. PERFORM THE SYSTEM DIAGNOSIS

Perform the diagnosis applicable to the displayed DTC of "ABS" with CONSULT. Refer to [BRC-117, "DTC No. Index"](#).

>> GO TO 7.

4. CHECK THE SYMPTOM THAT IS NOT CONSIDERED A SYSTEM MALFUNCTION

Check that the symptom is a normal operation that is not considered a system malfunction. Refer to [BRC-125, "Description"](#).

Is the symptom a normal operation?

- YES >> INSPECTION END
NO >> GO TO 5.

5. CHECK THE WARNING LAMP AND INDICATOR LAMP FOR ILLUMINATION

Check that the warning lamp and indicator lamp illuminate.

- ABS warning lamp: Refer to [BRC-102, "Description"](#).
- Brake warning lamp: Refer to [BRC-103, "Description"](#).
- VDC OFF indicator lamp: Refer to [BRC-104, "Description"](#).
- VDC warning lamp: Refer to [BRC-105, "Description"](#).

Is ON/OFF timing normal?

- YES >> GO TO 6.
NO >> GO TO 2.

6. PERFORM THE DIAGNOSIS BY SYMPTOM

Perform self-diagnosis for "ABS" with CONSULT.

>> GO TO 7.

7. REPAIR OR REPLACE THE MALFUNCTIONING PARTS

Repair or replace the specified malfunctioning parts.

>> GO TO 8.

8. MEMORY CLEAR

Perform self-diagnosis memory clear for "ABS" with CONSULT.

>> GO TO 9.

9. FINAL CHECK

Perform the self-diagnosis again, and check that the malfunction is repaired completely.

Is no other DTC present and the repair completed?

- YES >> INSPECTION END
NO >> GO TO 3.

A
B
C
D
E
G
H
I
J
K
L
M
N
O
P

BRC

DIAGNOSIS AND REPAIR WORK FLOW

< BASIC INSPECTION >

[VDC/TCS/ABS]

Diagnostic Work Sheet

INFOID:000000008286259

Customer name MR/MS	Model & Year	VIN	
Engine #	Trans.	Mileage	
Incident Date	Manuf. Date	In Service Date	
Symptoms	<input type="checkbox"/> Noise and vibration (from engine compartment) <input type="checkbox"/> Noise and vibration (from axle)	<input type="checkbox"/> Warning / Indicator activate	<input type="checkbox"/> Firm pedal operation Large stroke pedal operation
	<input type="checkbox"/> TCS does not work (Rear wheels slip when accelerating)	<input type="checkbox"/> ABS does not work (Wheels lock when braking)	<input type="checkbox"/> Lack of sense of acceleration
Engine conditions	<input type="checkbox"/> When starting <input type="checkbox"/> After starting		
Road conditions	<input type="checkbox"/> Low friction road (<input type="checkbox"/> Snow <input type="checkbox"/> Gravel <input type="checkbox"/> Other) <input type="checkbox"/> Bumps / potholes		
Driving conditions	<input type="checkbox"/> Full-acceleration <input type="checkbox"/> High speed cornering <input type="checkbox"/> Vehicle speed: Greater than 10 km/h (6 MPH) <input type="checkbox"/> Vehicle speed: 10 km/h (6 MPH) or less <input type="checkbox"/> Vehicle is stopped		
Applying brake conditions	<input type="checkbox"/> Suddenly <input type="checkbox"/> Gradually		
Other conditions	<input type="checkbox"/> Operation of electrical equipment <input type="checkbox"/> Shift change <input type="checkbox"/> Other descriptions		

SFIA3265E

INSPECTION AND ADJUSTMENT

ADDITIONAL SERVICE WHEN REPLACING CONTROL UNIT

ADDITIONAL SERVICE WHEN REPLACING CONTROL UNIT : Description

INFOID:000000008286260

After replacing the ABS actuator and electric unit (control unit), perform the neutral position adjustment for the steering angle sensor.

ADDITIONAL SERVICE WHEN REPLACING CONTROL UNIT : Special Repair Requirement

INFOID:000000008286261

1. PERFORM THE NEUTRAL POSITION ADJUSTMENT FOR THE STEERING ANGLE SENSOR

Perform the neutral position adjustment for the steering angle sensor.

>> Refer to [BRC-9, "ADJUSTMENT OF STEERING ANGLE SENSOR NEUTRAL POSITION : Special Repair Requirement"](#).

ADJUSTMENT OF STEERING ANGLE SENSOR NEUTRAL POSITION

ADJUSTMENT OF STEERING ANGLE SENSOR NEUTRAL POSITION : Description

INFOID:000000008286262

When doing work that applies to the list below, make sure to adjust neutral position of steering angle sensor before running vehicle.

x: Required –: Not required

Situation	Adjustment of steering angle sensor neutral position
Removing/Installing ABS actuator and electric unit (control unit)	—
Replacing ABS actuator and electric unit (control unit)	x
Removing/Installing steering angle sensor	x
Replacing steering angle sensor	x
Removing/Installing steering components	x
Replacing steering components	x
Removing/Installing suspension components	x
Replacing suspension components	x
Change tires to new ones	—
Tire rotation	—
Adjusting wheel alignment	x

ADJUSTMENT OF STEERING ANGLE SENSOR NEUTRAL POSITION : Special Repair Requirement

INFOID:000000008286263

ADJUSTMENT OF STEERING ANGLE SENSOR NEUTRAL POSITION

CAUTION:

**To adjust neutral position of steering angle sensor, make sure to use CONSULT.
(Adjustment cannot be done without CONSULT.)**

1. ALIGN THE VEHICLE STATUS

Stop the vehicle with front wheels in straight-ahead position.

>> GO TO 2.

2. PERFORM THE NEUTRAL POSITION ADJUSTMENT FOR THE STEERING ANGLE SENSOR

1. Select "ABS", "WORK SUPPORT" and "ST ANGLE SENSOR ADJUSTMENT" in order with CONSULT.
2. Select "START".

INSPECTION AND ADJUSTMENT

< BASIC INSPECTION >

[VDC/TCS/ABS]

CAUTION:

Do not touch steering wheel while adjusting steering angle sensor.

3. After approximately 10 seconds, select "END".

NOTE:

After approximately 60 seconds, it ends automatically.

4. Turn ignition switch OFF, then turn it ON again.

CAUTION:

Be sure to perform above operation.

>> GO TO 3.

3. CHECK DATA MONITOR

1. Run the vehicle with front wheels in straight-ahead position, then stop.
2. Select "ABS", "DATA MONITOR" and "STR ANGLE SIG" in order with CONSULT, and check steering angle sensor signal.

STR ANGLE SIG : 0±2.5°

Is the steering angle within the specified range?

YES >> GO TO 4.

NO >> Perform the neutral position adjustment for the steering angle sensor again, GO TO 1.

4. ERASE THE SELF-DIAGNOSIS MEMORY

Erase the self-diagnosis memories for "ABS", "ENGINE" and "ICC/ADAS" with CONSULT.

- "ABS": Refer to [BRC-31, "CONSULT Function"](#).
- "ENGINE": Refer to [EC-146, "CONSULT Function"](#).
- "ICC/ADAS": Refer to [CCS-39, "CONSULT Function \(ICC/ADAS\)"](#).

Are the memories erased?

YES >> INSPECTION END

NO >> Check the items indicated by the self-diagnosis.

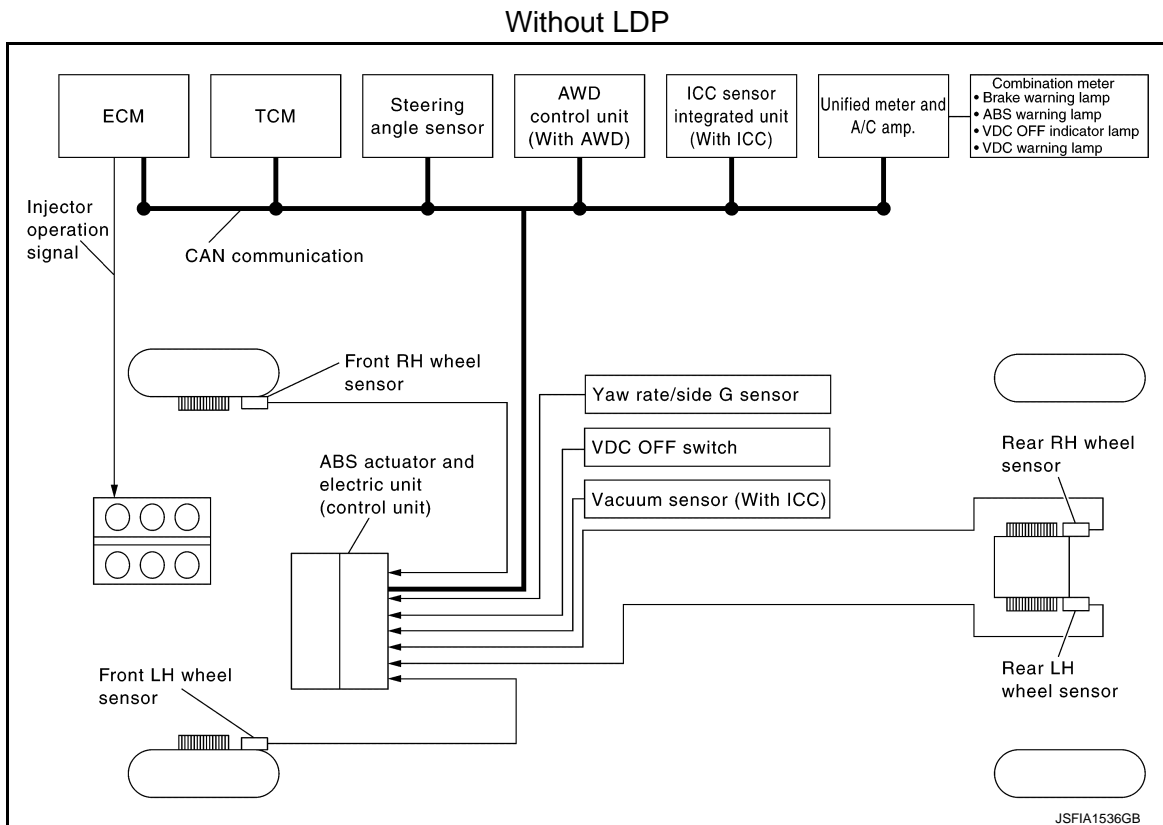
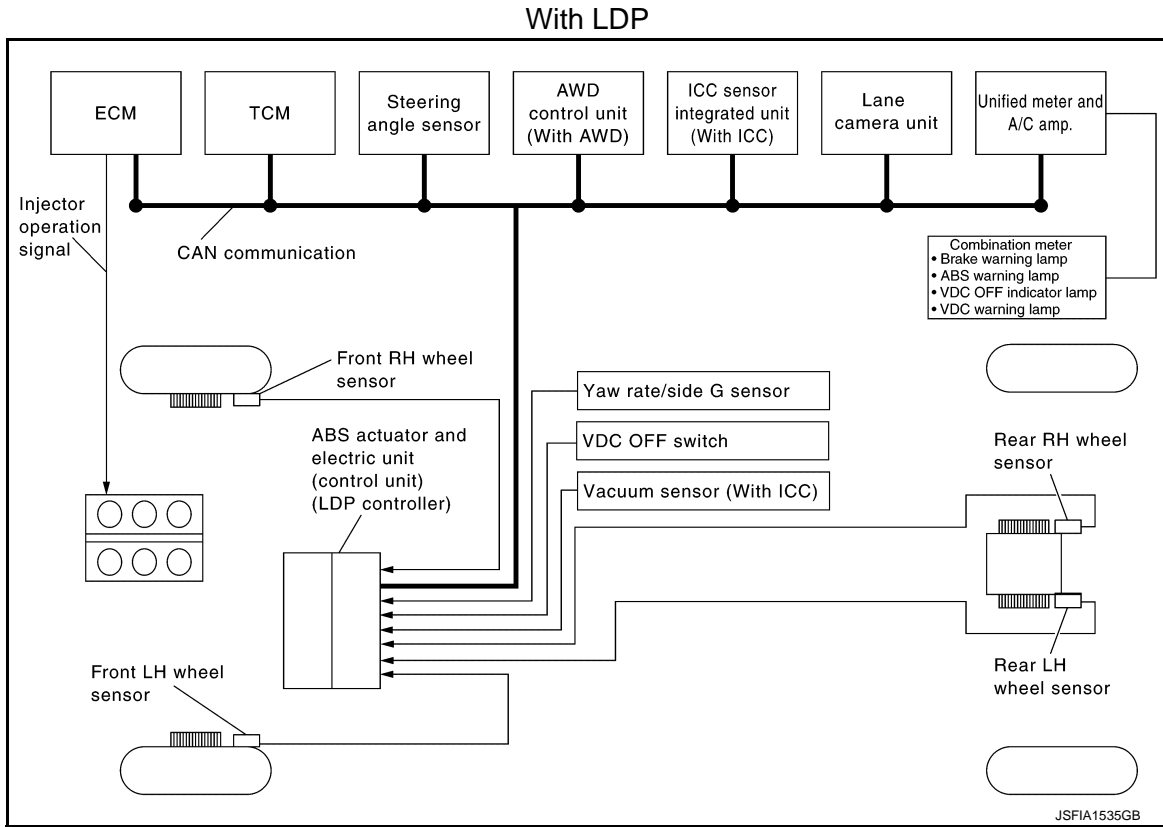
SYSTEM DESCRIPTION

VDC

System Diagram

INFOID:000000008286264

A
B
C
D
E
BRC
G
H
I
J
K
L
M
N
O
P

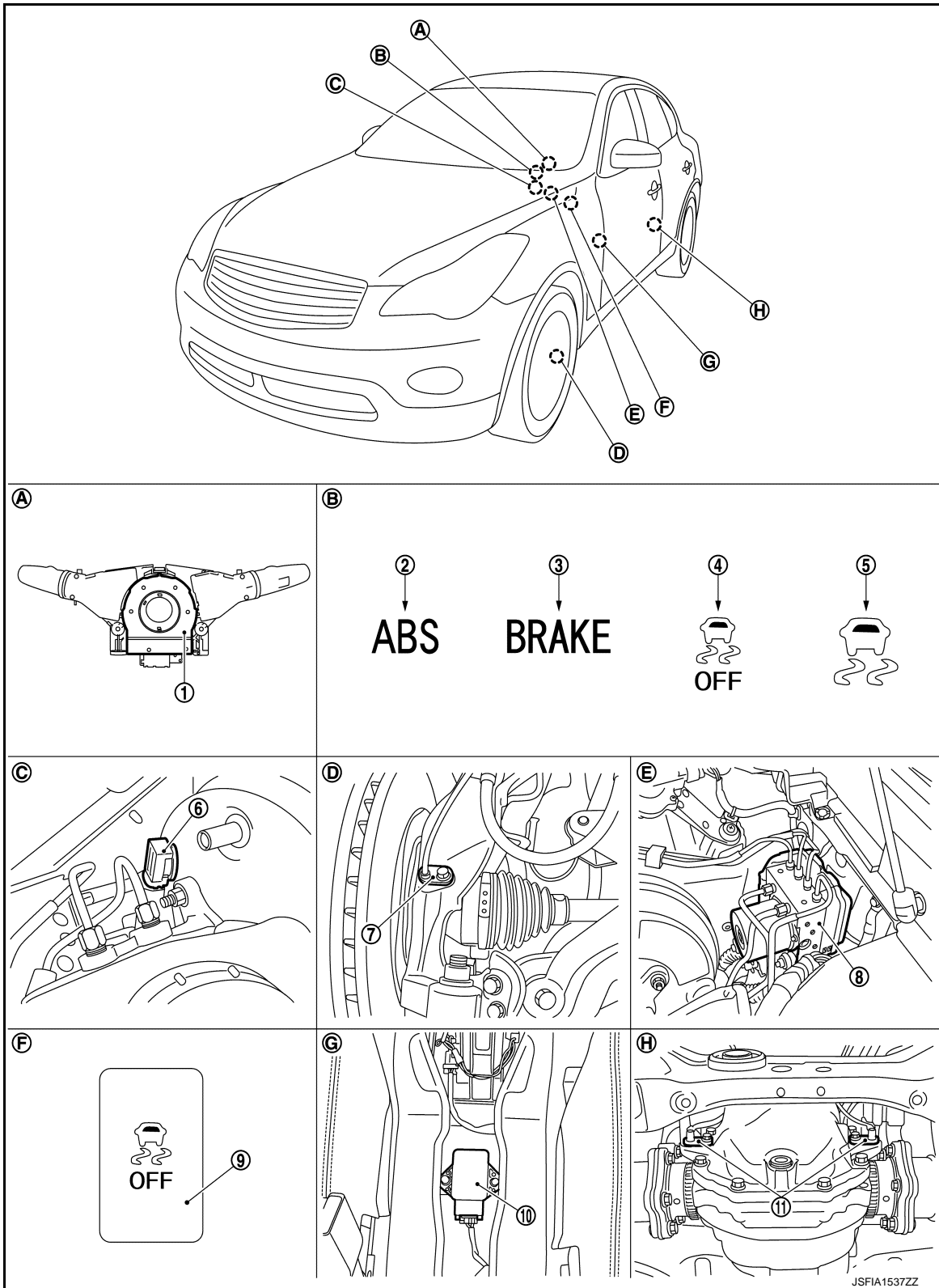


System Description

INFOID:000000008286265

- Vehicle Dynamics Control system detects driver's steering operation amount and brake pedal travel from steering angle sensor and pressure sensor. Using information from yaw rate/side G sensor and wheel sensor, VDC judges driving condition (conditions of under steer and over steer) to improve vehicle driving stability by controlling brake application to 4 wheels and engine output.
- During VDC operation, it informs driver of system operation by flashing VDC warning lamp.
- Electrical system diagnosis by CONSULT is available.

For USA



- 1. Steering angle sensor
- 2. ABS warning lamp
- 3. Brake warning lamp
- 4. VDC OFF indicator lamp
- 5. VDC warning lamp
- 6. Vacuum sensor (with ICC)

A
B
C
D
E
F
G
H
I
J
K
L
M
N
O
P

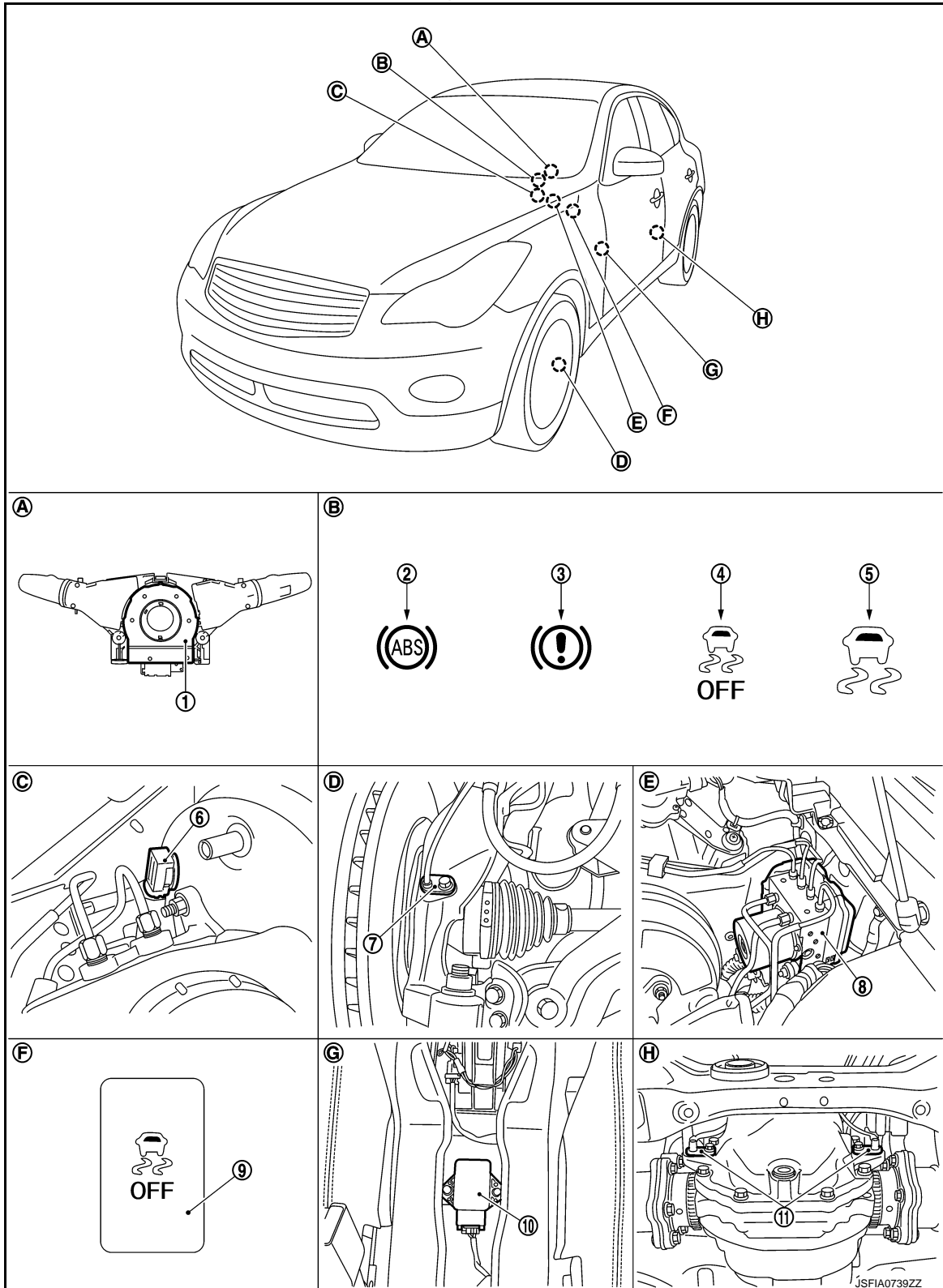
BRC

JSFIA1537ZZ

< SYSTEM DESCRIPTION >

- | | | |
|----------------------------------|--|----------------------------------|
| 7. Front wheel sensor | 8. ABS actuator and electric unit (control unit) | 9. VDC OFF switch |
| 10. Yaw rate/side G sensor | 11. Rear wheel sensor | |
| A. Back of spiral cable assembly | B. Combination meter | C. Brake booster |
| D. Steering knuckle | E. Inside brake master cylinder cover | F. Instrument driver lower panel |
| G. Under center console | H. Rear final drive assembly | |

Except for USA



JSF1A0739ZZ

VDC

< SYSTEM DESCRIPTION >

[VDC/TCS/ABS]

- | | | | |
|----------------------------------|--|----------------------------------|---|
| 1. Steering angle sensor | 2. ABS warning lamp | 3. Brake warning lamp | A |
| 4. VDC OFF indicator lamp | 5. VDC warning lamp | 6. Vacuum sensor (with ICC) | |
| 7. Front wheel sensor | 8. ABS actuator and electric unit (control unit) | 9. VDC OFF switch | B |
| 10. Yaw rate/side G sensor | 11. Rear wheel sensor | | |
| A. Back of spiral cable assembly | B. Combination meter | C. Brake booster | C |
| D. Steering knuckle | E. Inside brake master cylinder cover | F. Instrument driver lower panel | |
| G. Under center console | H. Rear final drive assembly | | |

Component Description

INFOID:000000008286267

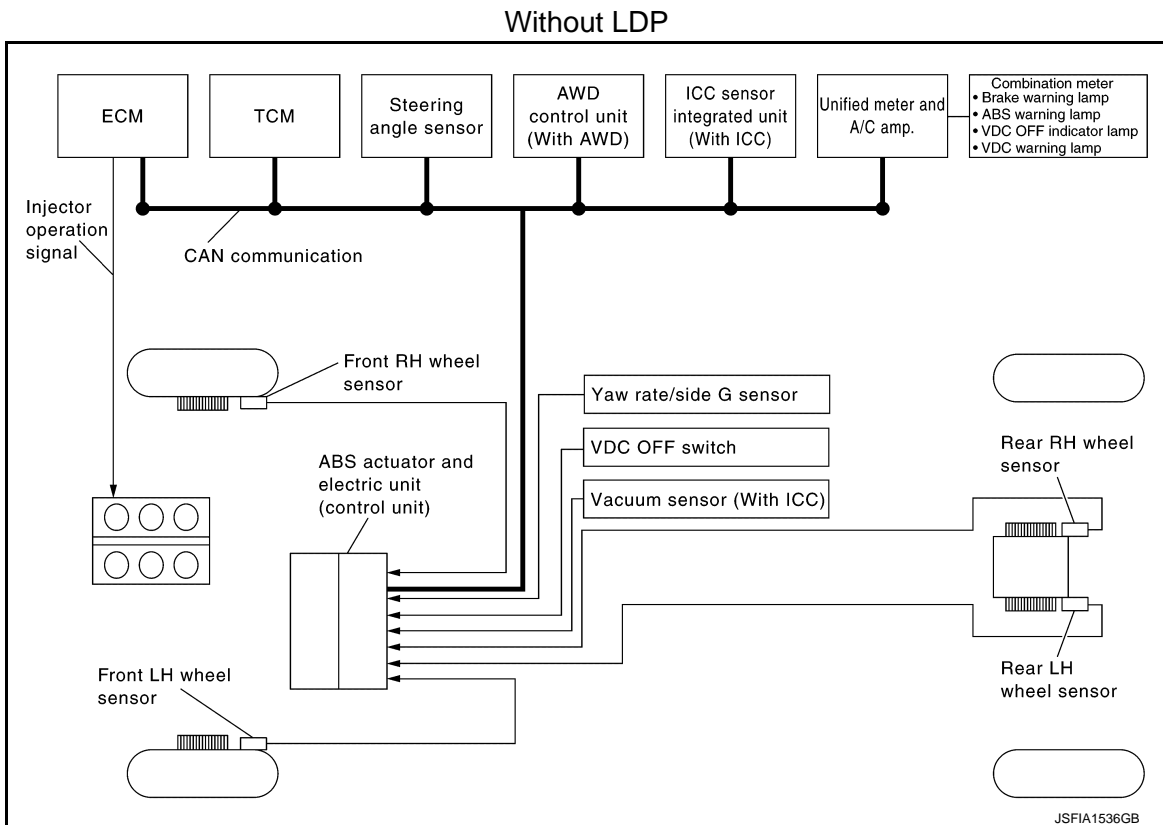
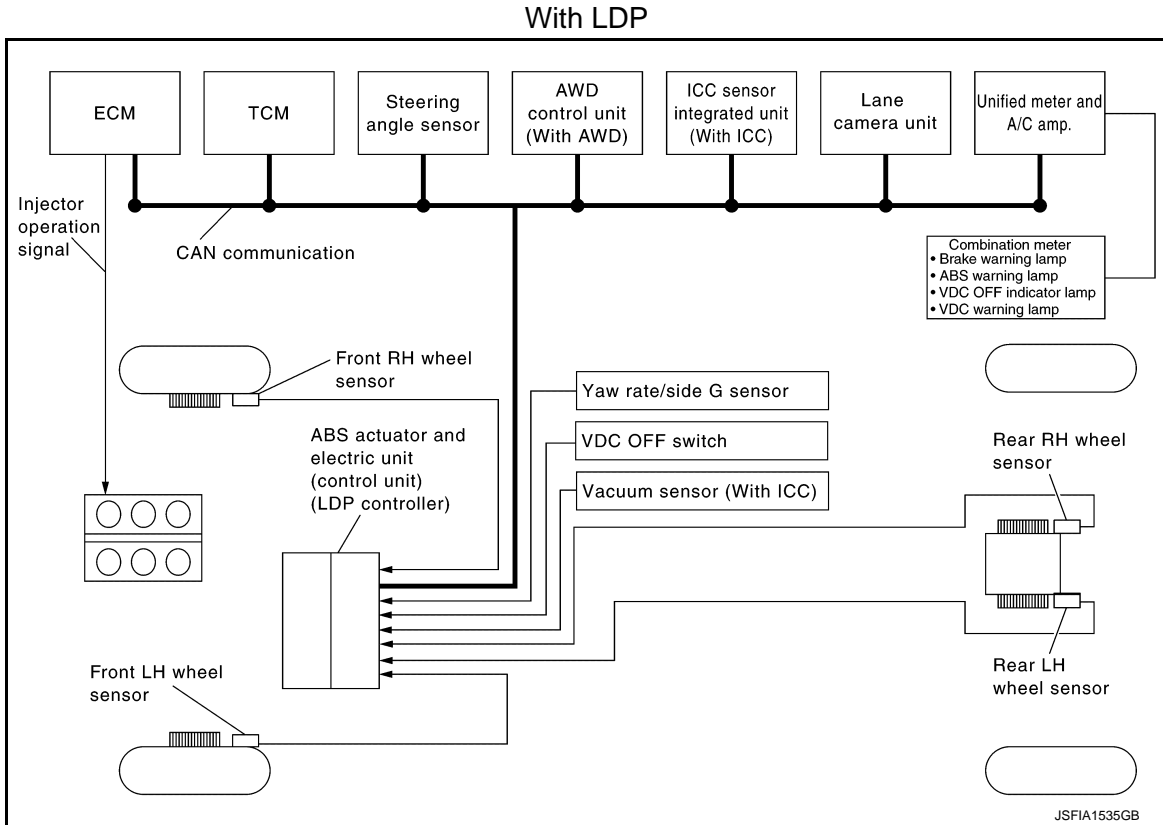
Component parts		Reference
ABS actuator and electric unit (control unit)	Pump	BRC-48, "Description"
	Motor	
	Actuator relay (main relay)	BRC-66, "Description"
	Solenoid valve	BRC-60, "Description"
	Pressure sensor	BRC-68, "Description"
	VDC switch-over valve (USV1, USV2, HSV1, HSV2)	BRC-76, "Description"
Wheel sensor	BRC-37, "Description"	
Yaw rate/side G sensor	BRC-73, "Description"	
Steering angle sensor	BRC-70, "Description"	
VDC OFF switch	BRC-100, "Description"	
ABS warning lamp	BRC-102, "Description"	
Brake warning lamp	BRC-103, "Description"	
VDC OFF indicator lamp	BRC-104, "Description"	
VDC warning lamp	BRC-105, "Description"	
Vacuum sensor (with ICC)	BRC-84, "Description"	

A
B
C
D
E
BRC
G
H
I
J
K
L
M
N
O
P

TCS

System Diagram

INFOID:000000008772757



System Description

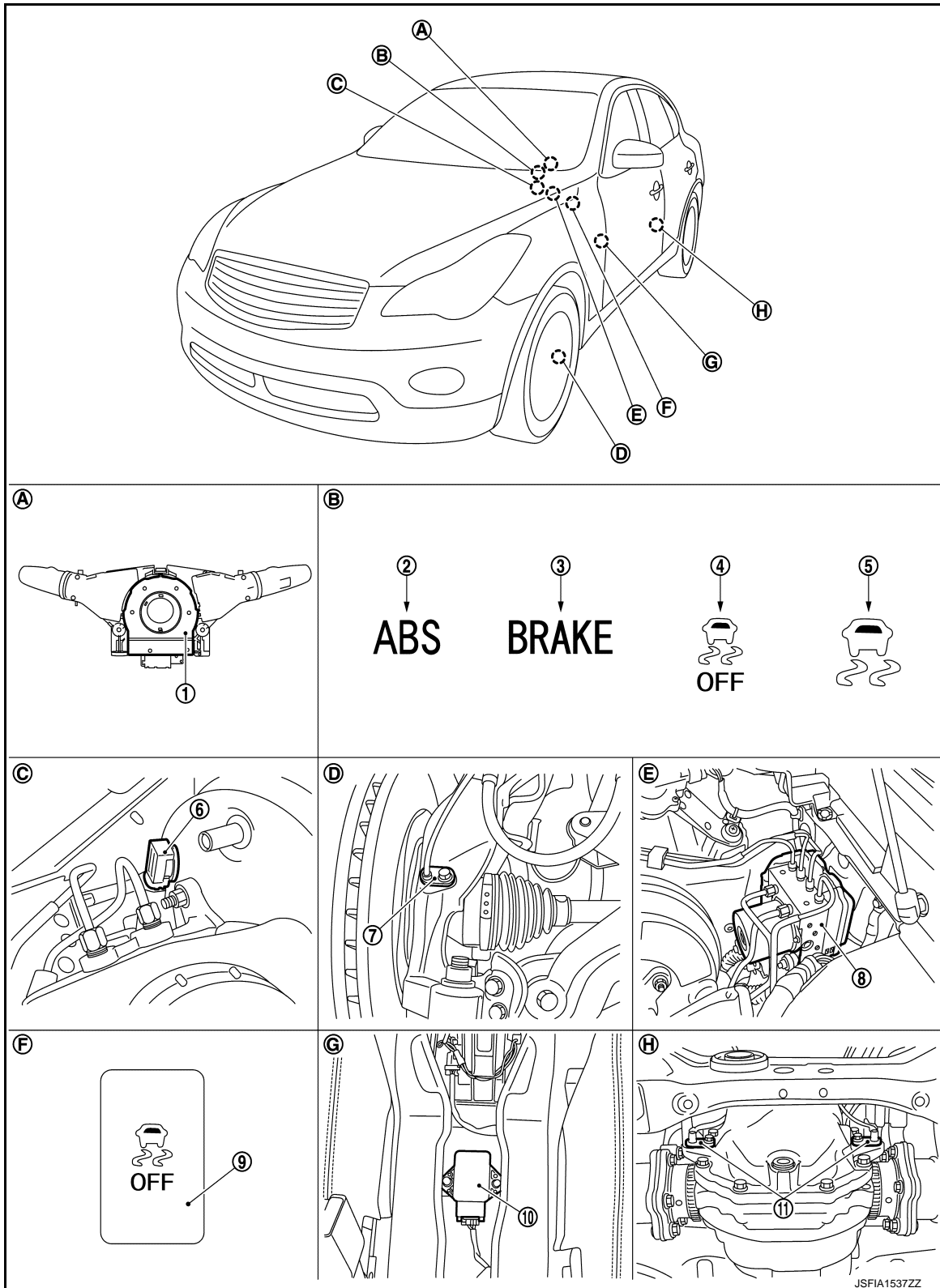
INFOID:000000008286269

- Traction Control System is a function that electronically controls engine torque, brake fluid pressure and A/T gear position to ensure the optimum slippage ratio at drive wheels by computing wheel speed signals from 4 wheel sensors. When ABS actuator and electric unit (control unit) detects a spin at drive wheels (rear wheels), it compares wheel speed signals from all 4 wheels. At this time, LH and RH rear brake fluid pressure are controlled, while fuel being cut to engine and throttle valve being closed to reduce engine torque by the control unit. Further more, throttle position is continuously controlled to ensure the optimum engine torque at all times.
- During TCS operation, TCS informs driver of system operation by flashing VDC warning lamp.
- Electrical system diagnosis by CONSULT is available.

A
B
C
D
E
G
H
I
J
K
L
M
N
O
P

BRC

For USA



- | | | |
|---------------------------|---------------------|-----------------------------|
| 1. Steering angle sensor | 2. ABS warning lamp | 3. Brake warning lamp |
| 4. VDC OFF indicator lamp | 5. VDC warning lamp | 6. Vacuum sensor (with ICC) |

JSFIA1537ZZ

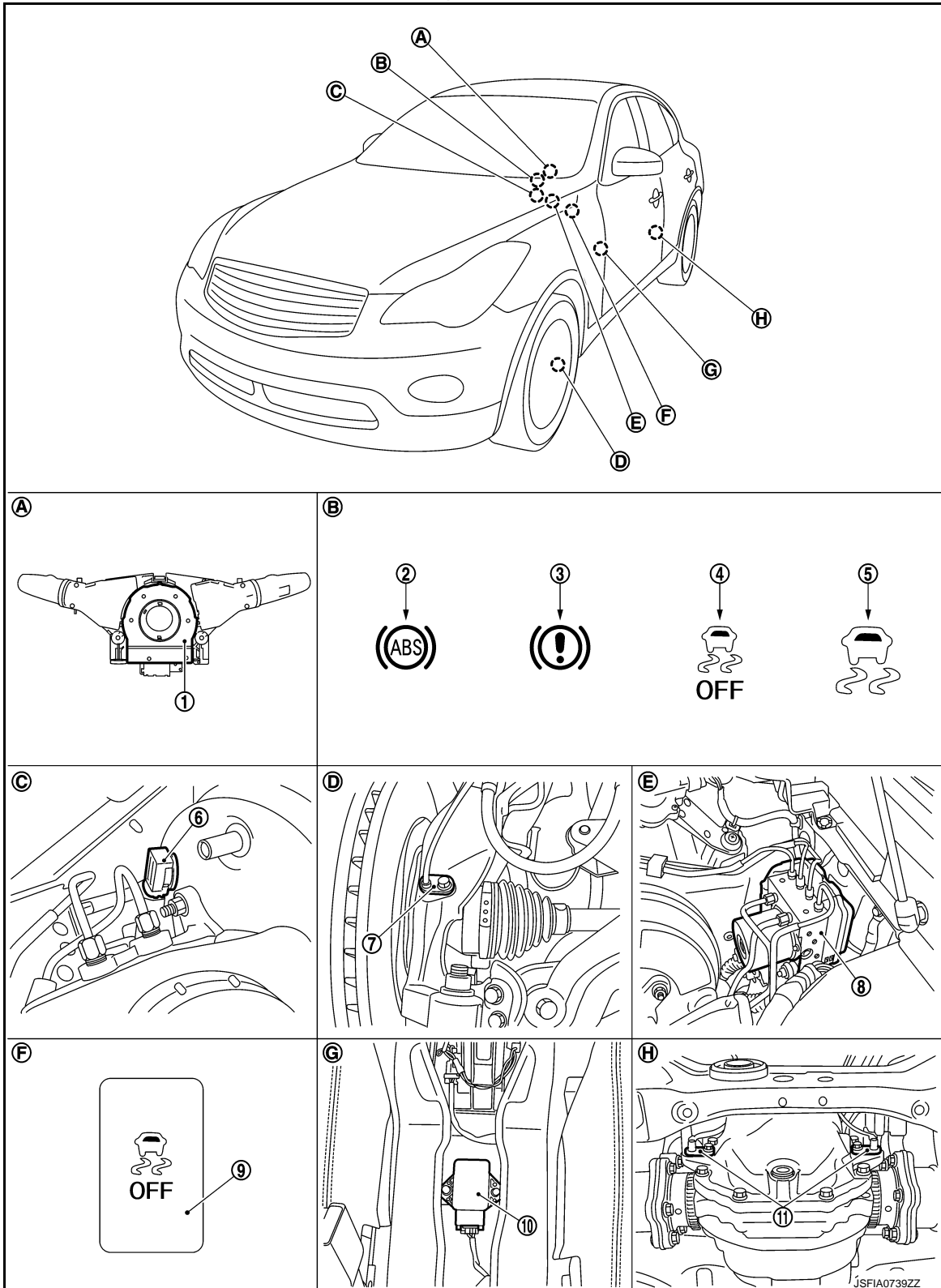
TCS

[VDC/TCS/ABS]

< SYSTEM DESCRIPTION >

- | | | |
|----------------------------------|--|----------------------------------|
| 7. Front wheel sensor | 8. ABS actuator and electric unit (control unit) | 9. VDC OFF switch |
| 10. Yaw rate/side G sensor | 11. Rear wheel sensor | |
| A. Back of spiral cable assembly | B. Combination meter | C. Brake booster |
| D. Steering knuckle | E. Inside brake master cylinder cover | F. Instrument driver lower panel |
| G. Under center console | H. Rear final drive assembly | |

Except for USA



A
B
C
D
E
G
H
I
J
K
L
M
N
O
P

BRC

< SYSTEM DESCRIPTION >

- | | | |
|----------------------------------|--|----------------------------------|
| 1. Steering angle sensor | 2. ABS warning lamp | 3. Brake warning lamp |
| 4. VDC OFF indicator lamp | 5. VDC warning lamp | 6. Vacuum sensor (with ICC) |
| 7. Front wheel sensor | 8. ABS actuator and electric unit (control unit) | 9. VDC OFF switch |
| 10. Yaw rate/side G sensor | 11. Rear wheel sensor | |
| A. Back of spiral cable assembly | B. Combination meter | C. Brake booster |
| D. Steering knuckle | E. Inside brake master cylinder cover | F. Instrument driver lower panel |
| G. Under center console | H. Rear final drive assembly | |

Component Description

INFOID:000000008772761

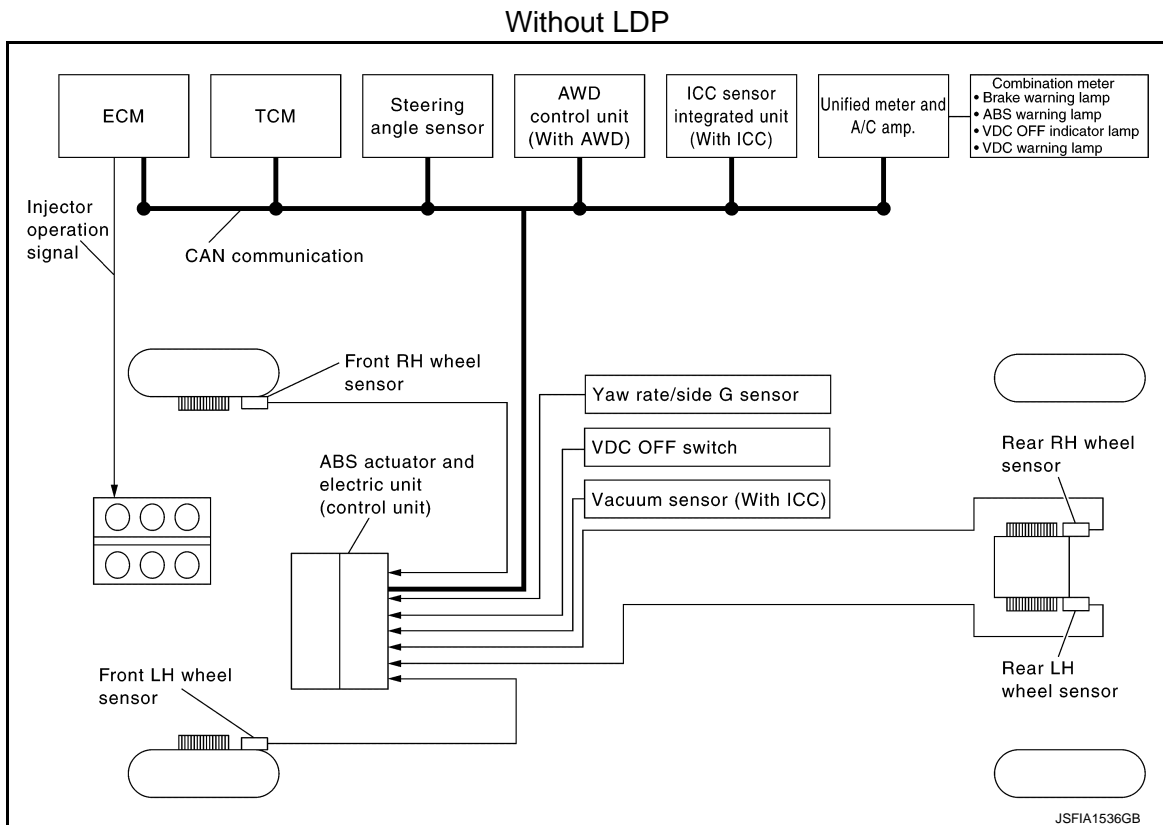
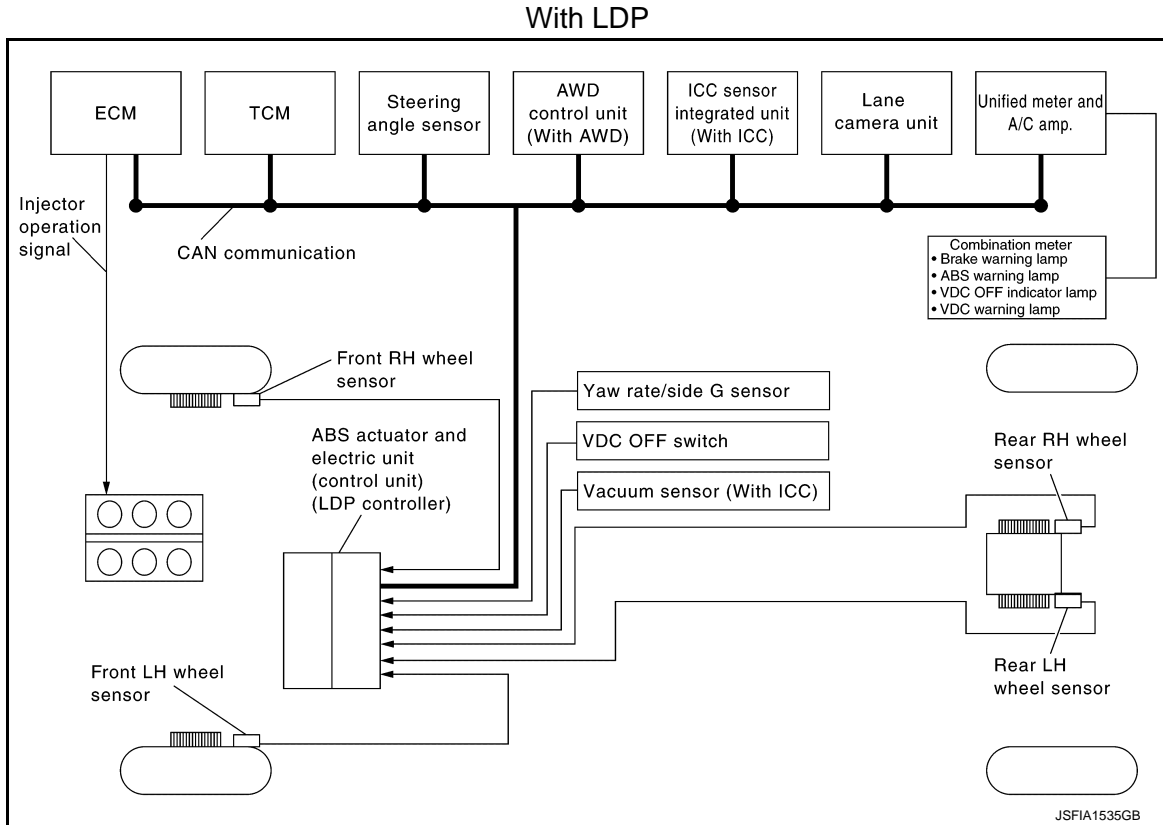
Component parts		Reference
ABS actuator and electric unit (control unit)	Pump	BRC-48, "Description"
	Motor	
	Actuator relay (main relay)	BRC-66, "Description"
	Solenoid valve	BRC-60, "Description"
	Pressure sensor	BRC-68, "Description"
	VDC switch-over valve (USV1, USV2, HSV1, HSV2)	BRC-76, "Description"
Wheel sensor		BRC-37, "Description"
Yaw rate/side G sensor		BRC-73, "Description"
Steering angle sensor		BRC-70, "Description"
VDC OFF switch		BRC-100, "Description"
ABS warning lamp		BRC-102, "Description"
Brake warning lamp		BRC-103, "Description"
VDC OFF indicator lamp		BRC-104, "Description"
VDC warning lamp		BRC-105, "Description"
Vacuum sensor (with ICC)		BRC-84, "Description"

ABS

System Diagram

INFOID:000000008772758

A
B
C
D
E
BRC
G
H
I
J
K
L
M
N
O
P



System Description

INFOID:000000008286273

- Anti-Lock Braking System detects wheel revolution while braking, electronically controls braking force, and prevents wheel locking during sudden braking. It improves handling stability and maneuverability for avoiding obstacles.
- Electrical system diagnosis by CONSULT is available.

ABS

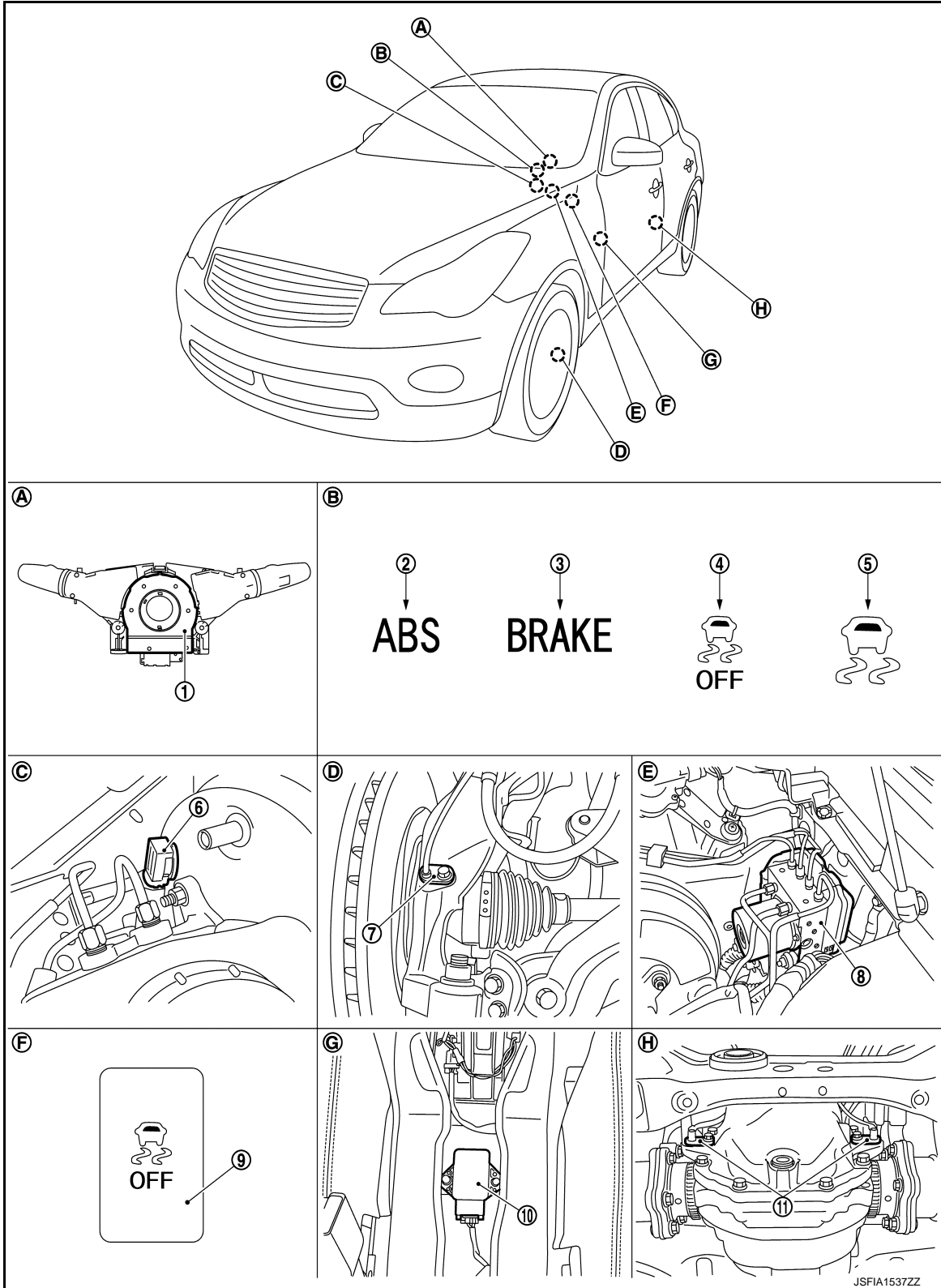
[VDC/TCS/ABS]

< SYSTEM DESCRIPTION >

Component Parts Location

INFOID:000000008772762

For USA



- | | | |
|---------------------------|---------------------|-----------------------------|
| 1. Steering angle sensor | 2. ABS warning lamp | 3. Brake warning lamp |
| 4. VDC OFF indicator lamp | 5. VDC warning lamp | 6. Vacuum sensor (with ICC) |

A
B
C
D
E
BRC
G
H
I
J
K
L
M
N
O
P

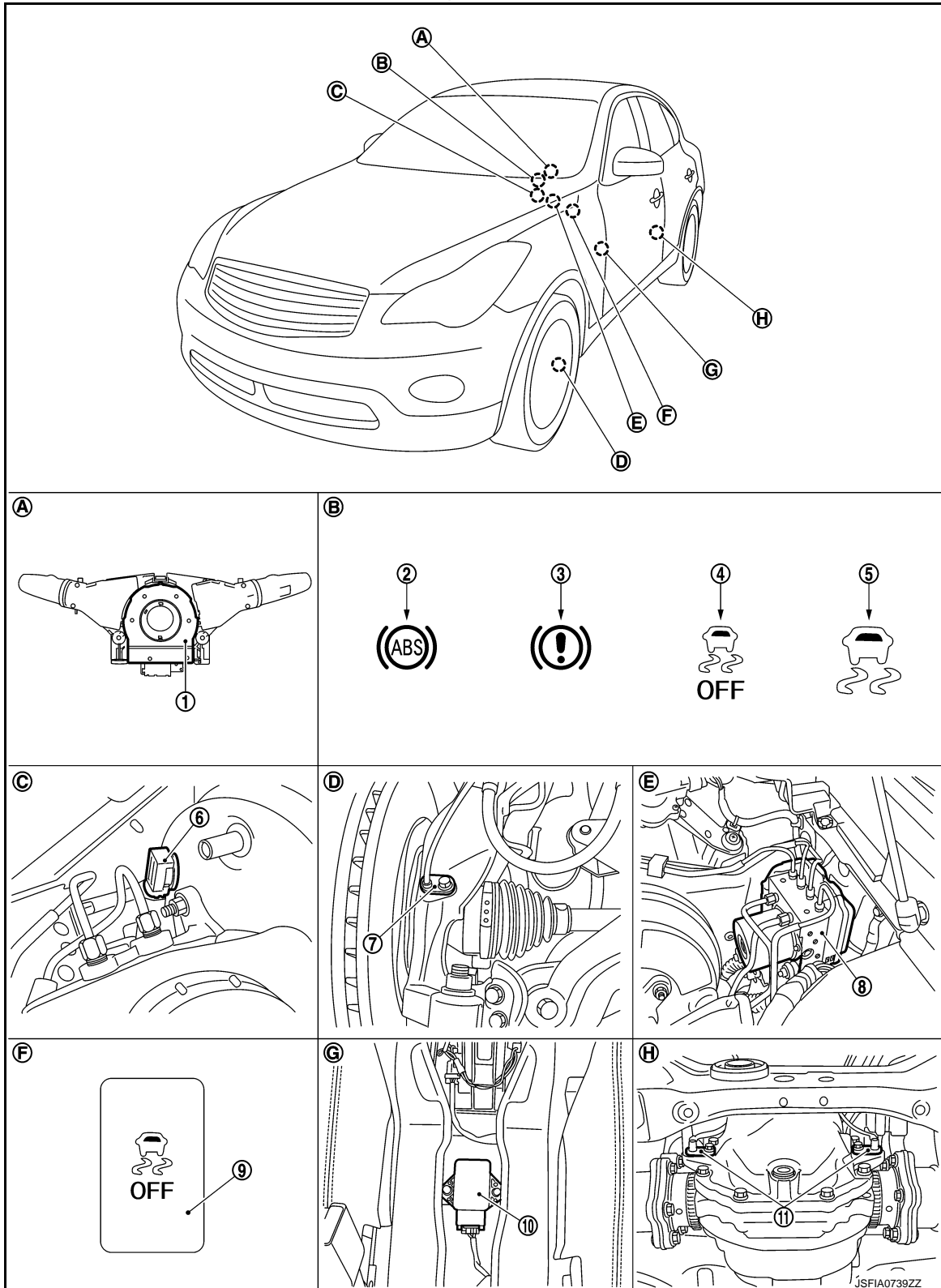
ABS

[VDC/TCS/ABS]

< SYSTEM DESCRIPTION >

- | | | |
|----------------------------------|--|----------------------------------|
| 7. Front wheel sensor | 8. ABS actuator and electric unit (control unit) | 9. VDC OFF switch |
| 10. Yaw rate/side G sensor | 11. Rear wheel sensor | |
| A. Back of spiral cable assembly | B. Combination meter | C. Brake booster |
| D. Steering knuckle | E. Inside brake master cylinder cover | F. Instrument driver lower panel |
| G. Under center console | H. Rear final drive assembly | |

Except for USA



ABS

< SYSTEM DESCRIPTION >

[VDC/TCS/ABS]

- | | | | |
|----------------------------------|--|----------------------------------|---|
| 1. Steering angle sensor | 2. ABS warning lamp | 3. Brake warning lamp | |
| 4. VDC OFF indicator lamp | 5. VDC warning lamp | 6. Vacuum sensor (with ICC) | A |
| 7. Front wheel sensor | 8. ABS actuator and electric unit (control unit) | 9. VDC OFF switch | |
| 10. Yaw rate/side G sensor | 11. Rear wheel sensor | | B |
| A. Back of spiral cable assembly | B. Combination meter | C. Brake booster | |
| D. Steering knuckle | E. Inside brake master cylinder cover | F. Instrument driver lower panel | C |
| G. Under center console | H. Rear final drive assembly | | |

Component Description

INFOID:000000008772763

Component parts	Reference	
ABS actuator and electric unit (control unit)	Pump	BRC-48, "Description"
	Motor	
	Actuator relay (main relay)	BRC-66, "Description"
	Solenoid valve	BRC-60, "Description"
	Pressure sensor	BRC-68, "Description"
	VDC switch-over valve (USV1, USV2, HSV1, HSV2)	BRC-76, "Description"
Wheel sensor	BRC-37, "Description"	
Yaw rate/side G sensor	BRC-73, "Description"	
Steering angle sensor	BRC-70, "Description"	
VDC OFF switch	BRC-100, "Description"	
ABS warning lamp	BRC-102, "Description"	
Brake warning lamp	BRC-103, "Description"	
VDC OFF indicator lamp	BRC-104, "Description"	
VDC warning lamp	BRC-105, "Description"	
Vacuum sensor (with ICC)	BRC-84, "Description"	

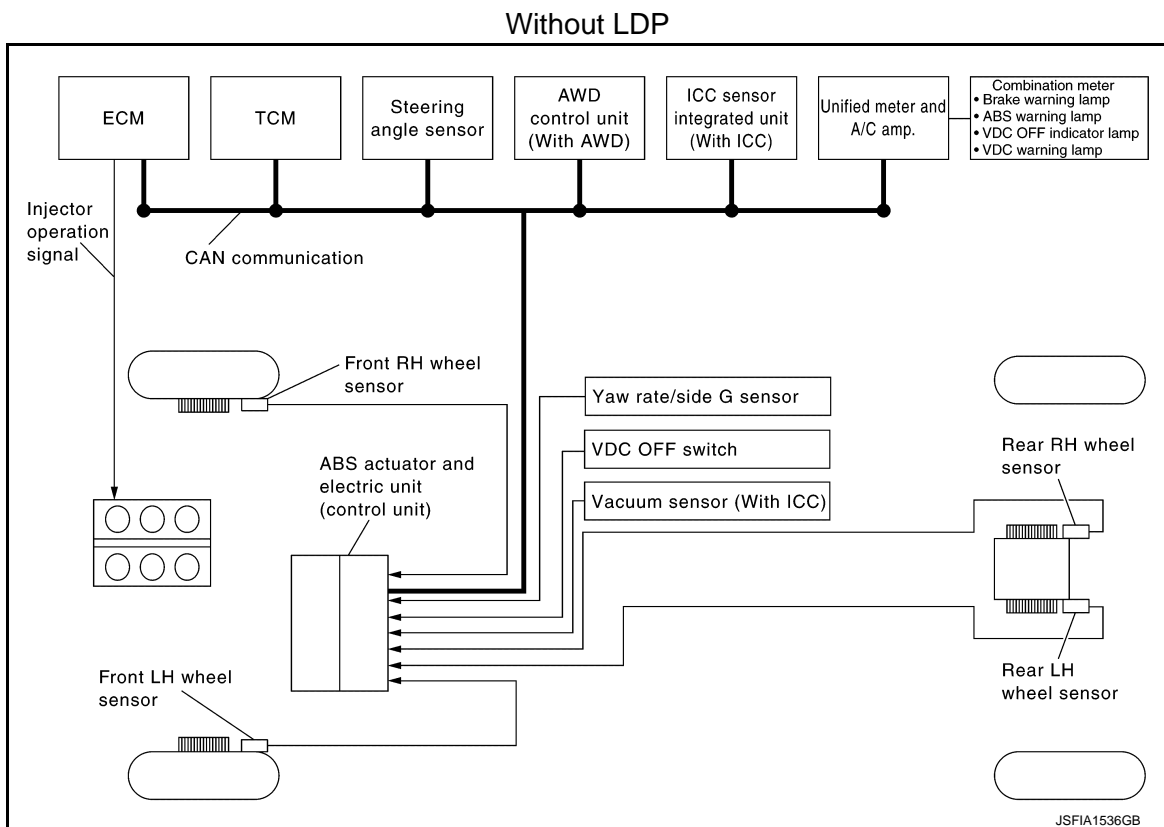
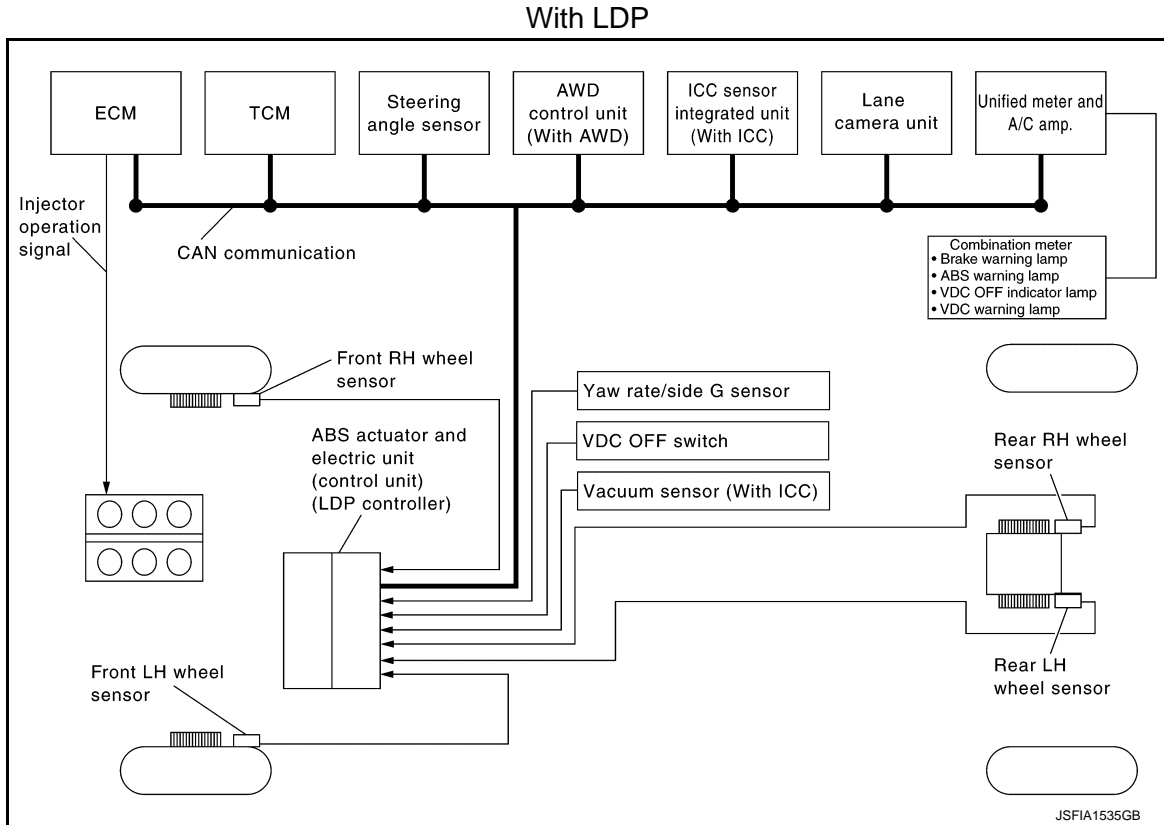
A
B
C
D
E
G
H
I
J
K
L
M
N
O
P

BRC

EBD

System Diagram

INFOID:000000008772759



System Description

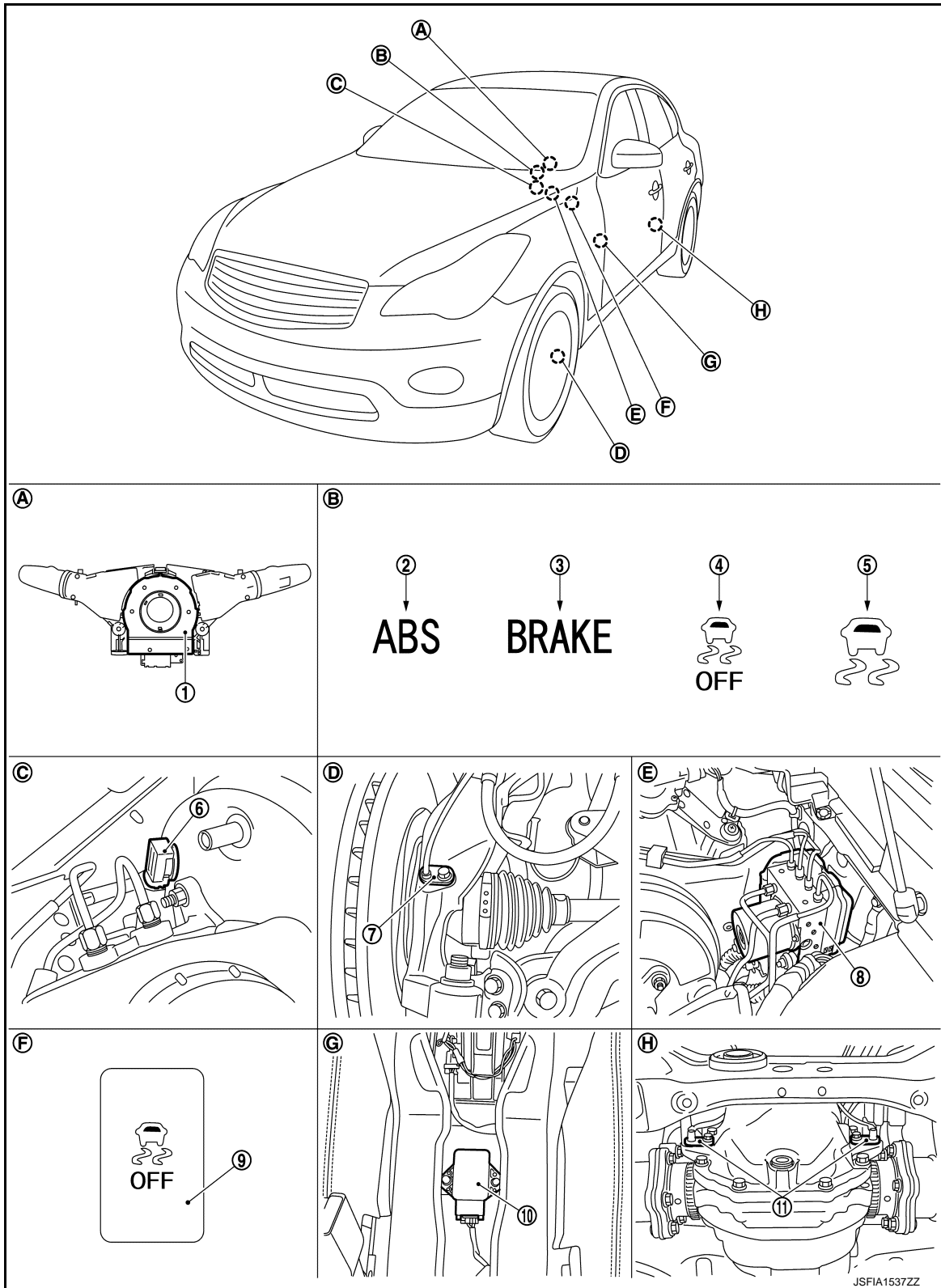
INFOID:000000008286277

- Electric Brake force Distribution is a following function. ABS actuator and electric unit (control unit) detects subtle slippages between the front and rear wheels during braking. Then is electronically controls the rear braking force (brake fluid pressure) to reducing and reduces rear wheel slippage. Accordingly it improves vehicle stability.
- Electrical system diagnosis by CONSULT is available.

A
B
C
D
E
F
G
H
I
J
K
L
M
N
O
P

BRC

For USA



- | | | |
|---------------------------|---------------------|-----------------------------|
| 1. Steering angle sensor | 2. ABS warning lamp | 3. Brake warning lamp |
| 4. VDC OFF indicator lamp | 5. VDC warning lamp | 6. Vacuum sensor (with ICC) |

JSFIA1537ZZ

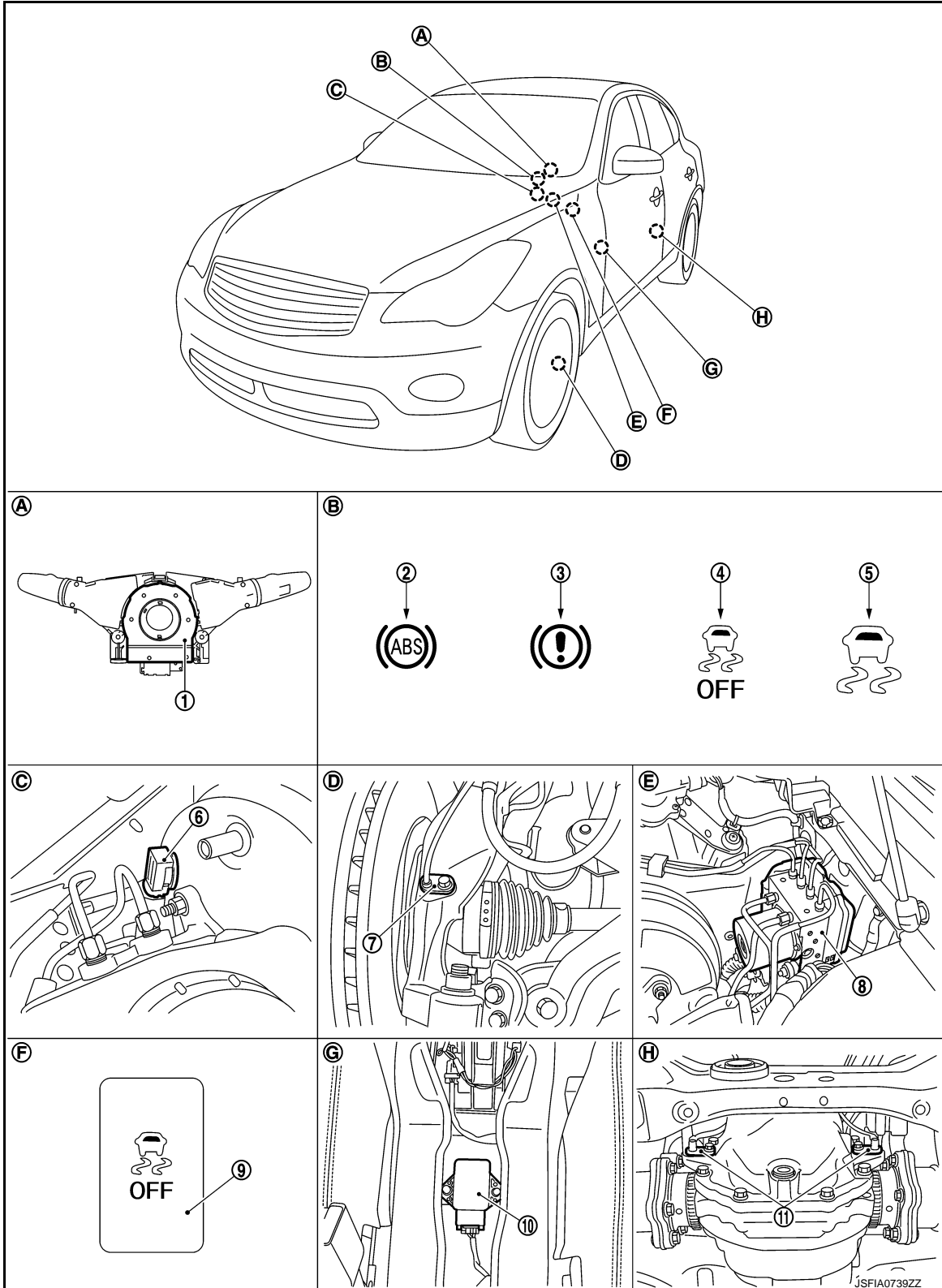
EBD

[VDC/TCS/ABS]

< SYSTEM DESCRIPTION >

- 7. Front wheel sensor
- 8. ABS actuator and electric unit (control unit)
- 9. VDC OFF switch
- 10. Yaw rate/side G sensor
- 11. Rear wheel sensor
- A. Back of spiral cable assembly
- B. Combination meter
- C. Brake booster
- D. Steering knuckle
- E. Inside brake master cylinder cover
- F. Instrument driver lower panel
- G. Under center console
- H. Rear final drive assembly

Except for USA



A
B
C
D
E
BRC
G
H
I
J
K
L
M
N
O
P

< SYSTEM DESCRIPTION >

- | | | |
|----------------------------------|--|----------------------------------|
| 1. Steering angle sensor | 2. ABS warning lamp | 3. Brake warning lamp |
| 4. VDC OFF indicator lamp | 5. VDC warning lamp | 6. Vacuum sensor (with ICC) |
| 7. Front wheel sensor | 8. ABS actuator and electric unit (control unit) | 9. VDC OFF switch |
| 10. Yaw rate/side G sensor | 11. Rear wheel sensor | |
| A. Back of spiral cable assembly | B. Combination meter | C. Brake booster |
| D. Steering knuckle | E. Inside brake master cylinder cover | F. Instrument driver lower panel |
| G. Under center console | H. Rear final drive assembly | |

Component Description

INFOID:000000008772765

Component parts		Reference
ABS actuator and electric unit (control unit)	Pump	BRC-48, "Description"
	Motor	
	Actuator relay (main relay)	BRC-66, "Description"
	Solenoid valve	BRC-60, "Description"
	Pressure sensor	BRC-68, "Description"
	VDC switch-over valve (USV1, USV2, HSV1, HSV2)	BRC-76, "Description"
Wheel sensor		BRC-37, "Description"
Yaw rate/side G sensor		BRC-73, "Description"
Steering angle sensor		BRC-70, "Description"
VDC OFF switch		BRC-100, "Description"
ABS warning lamp		BRC-102, "Description"
Brake warning lamp		BRC-103, "Description"
VDC OFF indicator lamp		BRC-104, "Description"
VDC warning lamp		BRC-105, "Description"
Vacuum sensor (with ICC)		BRC-84, "Description"

DIAGNOSIS SYSTEM [ABS ACTUATOR AND ELECTRIC UNIT (CONTROL UNIT)]

< SYSTEM DESCRIPTION >

[VDC/TCS/ABS]

DIAGNOSIS SYSTEM [ABS ACTUATOR AND ELECTRIC UNIT (CONTROL UNIT)]

CONSULT Function

INFOID:000000008286280

FUNCTION

CONSULT can display each diagnostic item using the diagnostic test modes shown following.

Diagnostic test mode	Function
Work support	This mode enables a technician to adjust some devices faster and more accurately by following the indications on CONSULT.
Self diagnostic result	Self-diagnostic results can be read and erased quickly.
Data monitor	Input/Output data in the ABS actuator and electric unit (control unit) can be read.
Active test	CONSULT drives some actuators apart from ABS actuator and electric unit (control unit) and also shifts some parameters in a specified range.
ECU identification	ABS actuator and electric unit (control unit) part number can be read.
Specific data monitor	Specific LDP data in the ABS actuator and electric unit (control unit) can be read.

WORK SUPPORT

CAUTION:

Erase DTC memory of the lane camera unit after implementing work support. Refer to [DAS-268, "CONSULT Function \(LANE CAMERA\)"](#).

Item	Description
ST ANGLE SENSOR ADJUSTMENT	Adjusts the neutral position of the steering angle sensor.

SELF DIAGNOSTIC RESULT

Operation Procedure

Before performing the self-diagnosis for "ABS" with CONSULT, start engine and drive vehicle at 30 km/h (19 MPH) or more for approximately 1 minute.

Display Item List

Refer to [BRC-117, "DTC No. Index"](#).

How to Erase Self-diagnosis Results

After erasing DTC memory for "ABS" with CONSULT, start the engine and drive the vehicle at 30 km/h (19 MPH) or more for approximately 1 minute as the final inspection, and make sure that the ABS warning lamp, VDC warning lamp and brake warning lamp turn OFF.

CAUTION:

If memory cannot be erased, perform applicable diagnosis.

NOTE:

- When the wheel sensor malfunctions, after inspecting the wheel sensor system, ABS warning lamp, VDC warning lamp and brake warning lamp will not turn OFF even when the system is normal unless the vehicle is driven at approximately 30 km/h (19 MPH) or more for approximately 1 minute.
- Brake warning lamp will turn ON in case of parking brake operation (when switch is ON) or in case of brake fluid level switch operation (when brake fluid is insufficient).
- VDC OFF switch should not stay in "ON" position.

DATA MONITOR

Display Item List

NOTE:

The following table includes information (items) inapplicable to this vehicle. For information (items) applicable to this vehicle, refer to CONSULT display items.

DIAGNOSIS SYSTEM [ABS ACTUATOR AND ELECTRIC UNIT (CONTROL UNIT)]

< SYSTEM DESCRIPTION >

[VDC/TCS/ABS]

×: Applicable ▼: Optional item

Monitor item (Unit)	SELECT MONITOR ITEM		Remarks
	ECU INPUT SIGNALS	MAIN SIGNALS	
FR LH SENSOR [km/h (MPH)]	×	×	Wheel speed
FR RH SENSOR [km/h (MPH)]	×	×	
RR LH SENSOR [km/h (MPH)]	×	×	
RR RH SENSOR [km/h (MPH)]	×	×	
STOP LAMP SW (On/Off)	×	×	Stop lamp switch signal status
BATTERY VOLT (V)	×	×	Battery voltage supplied to the ABS actuator and electric unit (control unit)
GEAR	×	×	Gear position determined by TCM
SLCT LVR POSI	×	×	A/T selector lever position
YAW RATE SEN (d/s)	×	×	Yaw rate detected by yaw rate/side G sensor
ACCEL POS SIG (%)	×	▼	Throttle actuator opening/closing is displayed (Linked with accelerator pedal)
SIDE G-SENSOR (m/s ²)	×	▼	Transverse G detected by yaw rate/side G sensor
STR ANGLE SIG (°)	×	▼	Steering angle detected by steering angle sensor
PRESS SENSOR (bar)	×	▼	Brake fluid pressure detected by pressure sensor
ENGINE RPM [tr/min (rpm)]	×	▼	Engine speed
FLUID LEV SW (On/Off)	×	▼	Brake fluid level switch signal status
PARK BRAKE SW (On/Off)	×	▼	Parking brake switch signal status
LDP) APP SEN (%)	×	×	Accelerator pedal position sensor status received from ECM via CAN communication
FR RH IN SOL (On/Off) (Note)	▼	×	Operation status of each solenoid valve
FR RH OUT SOL (On/Off) (Note)	▼	×	
FR LH IN SOL (On/Off) (Note)	▼	×	
FR LH OUT SOL (On/Off) (Note)	▼	×	
RR RH IN SOL (On/Off) (Note)	▼	×	
RR RH OUT SOL (On/Off) (Note)	▼	×	
RR LH IN SOL (On/Off) (Note)	▼	×	
RR LH OUT SOL (On/Off) (Note)	▼	×	
MOTOR RELAY (On/Off)	▼	×	Motor and motor relay operation

DIAGNOSIS SYSTEM [ABS ACTUATOR AND ELECTRIC UNIT (CONTROL UNIT)]

< SYSTEM DESCRIPTION >

[VDC/TCS/ABS]

Monitor item (Unit)	SELECT MONITOR ITEM		Remarks	
	ECU INPUT SIGNALS	MAIN SIGNALS		
ACTUATOR RLY (On/Off) (Note)	▼	×	Actuator relay operation	A
ABS WARN LAMP (On/Off)	▼	×	ABS warning lamp	B
OFF LAMP (On/Off)	▼	×	VDC OFF indicator lamp	C
SLIP/VDC LAMP (On/Off)	▼	×	VDC warning lamp	D
EBD SIGNAL (On/Off)	▼	▼	EBD operation	E
ABS SIGNAL (On/Off)	▼	▼	ABS operation	E
TCS SIGNAL (On/Off)	▼	▼	TCS operation	BRC
VDC SIGNAL (On/Off)	▼	▼	VDC operation	BRC
EBD FAIL SIG (On/Off)	▼	▼	EBD fail-safe signal	G
ABS FAIL SIG (On/Off)	▼	▼	ABS fail-safe signal	H
TCS FAIL SIG (On/Off)	▼	▼	TCS fail-safe signal	H
VDC FAIL SIG (On/Off)	▼	▼	VDC fail-safe signal	I
CRANKING SIG (On/Off)	▼	▼	Crank operation	J
USV[FR-RL] (On/Off) (Note)	▼	▼	VDC switch-over valve	J
USV[FL-RR] (On/Off) (Note)	▼	▼		K
HSV[FR-RL] (On/Off) (Note)	▼	▼		L
HSV[FL-RR] (On/Off) (Note)	▼	▼		L
V/R OUTPUT (On/Off)	▼	▼	Solenoid valve relay activated	M
M/R OUTPUT (On/Off)	▼	▼	Actuator motor and motor relay activated	N
LDP) APP SEN (%)	×	×	Accelerator pedal position sensor status received from ECM via CAN communication	N
LDP) ICC MAIN SW (On/Off)	×	×	ICC MAIN switch status received from ECM via CAN communication	O
LDP) LDP ON SW (On/Off)	×	×	Dynamic driver assistance switch status received from ECM via CAN communication	O
LDP) WIPER SIGNAL (Stop/PRTCT/1low/1high/Low/High)	×	×	Front wiper operating condition received from BCM via CAN communication	P
LDP) BRAKE SW (On/Off)	×	×	Brake switch signal status	P
LDP) STOP LMP SW (On/Off)	×	×	Stop lamp switch signal status	P

DIAGNOSIS SYSTEM [ABS ACTUATOR AND ELECTRIC UNIT (CONTROL UNIT)]

< SYSTEM DESCRIPTION >

[VDC/TCS/ABS]

Monitor item (Unit)	SELECT MONITOR ITEM		Remarks
	ECU INPUT SIGNALS	MAIN SIGNALS	
LDP) LDW SW (On/Off)	×	×	Warning systems switch status received from lane camera unit via CAN communication
LDP) SHIFT POSITION (OFF/P/R/N/D/MM 1st – MM 5th)	×	×	Shift position received from TCM via CAN communication
LDP) TURN SIGNAL (Off/LH/RH/LH&RH)	×	×	Turn signal operating condition received from BCM via CAN communication

NOTE:

A brief moment of On/Off condition occurs every 20 seconds after ignition switch turned ON. This is not malfunction because it is an operation for checking.

ACTIVE TEST

CAUTION:

- Do not perform active test while driving vehicle.
- Make sure to completely bleed air from brake system.
- The active test cannot be started when ABS warning lamp, VDC warning lamp and brake warning lamp are ON.
- ABS warning lamp, VDC warning lamp and brake warning lamp are ON during active test.
- Erase memory of ICC system after implementing active test. Refer to [CCS-39, "CONSULT Function \(ICC/ADAS\)"](#).
- Erase memory of the lane camera unit after implementing active test. Refer to [DAS-268, "CONSULT Function \(LANE CAMERA\)"](#).

NOTE:

- When active test is performed while depressing the pedal, the pedal depression amount will change. This is normal. (Only solenoid valve and ABS motor.)
- "TEST IS STOPPED" in "ABS" with CONSULT is displayed 10 seconds after operation start.
- After "TEST IS STOPPED" in "ABS" with CONSULT is displayed, to perform test again.

Test Item

ABS SOLENOID VALVE

- Select "Up", "Keep" and "Down" of "ACTIVE TEST" in "ABS" with CONSULT. Then use screen monitor to check that solenoid valve operates as shown in the table below.

Test item	Display item	Display (Note)		
		Up	Keep	Down
FR RH SOL	FR RH IN SOL	Off	On	On
	FR RH OUT SOL	Off	Off	On*
	USV[FR-RL]	Off	Off	Off
	HSV[FR-RL]	Off	Off	Off
FR LH SOL	FR LH IN SOL	Off	On	On
	FR LH OUT SOL	Off	Off	On*
	USV[FL-RR]	Off	Off	Off
	HSV[FL-RR]	Off	Off	Off
RR RH SOL	RR RH IN SOL	Off	On	On
	RR RH OUT SOL	Off	Off	On*
	USV[FL-RR]	Off	Off	Off
	HSV[FL-RR]	Off	Off	Off
RR LH SOL	RR LH IN SOL	Off	On	On
	RR LH OUT SOL	Off	Off	On*
	USV[FR-RL]	Off	Off	Off
	HSV[FR-RL]	Off	Off	Off

DIAGNOSIS SYSTEM [ABS ACTUATOR AND ELECTRIC UNIT (CONTROL UNIT)]

< SYSTEM DESCRIPTION >

[VDC/TCS/ABS]

*: On for 1 to 2 seconds after the select, and then Off.

NOTE:

A brief moment of On/Off condition occurs every 20 seconds after ignition switch turned ON. This is not malfunction because it is an operation for checking.

ABS SOLENOID VALVE (ACT)

- Select “Up”, “ACT UP” and “ACT KEEP” of “ACTIVE TEST” in “ABS” with CONSULT. Then use screen monitor to check that solenoid valve operates as shown in the table below.

Test item	Display item	Display (Note)		
		Up	ACT UP	ACT KEEP
FR RH ABS SOLENOID (ACT)	FR RH IN SOL	Off	Off	Off
	FR RH OUT SOL	Off	Off	Off
	USV[FR-RL]	Off	On	On
	HSV[FR-RL]	Off	On*	Off
FR LH ABS SOLENOID (ACT)	FR LH IN SOL	Off	Off	Off
	FR LH OUT SOL	Off	Off	Off
	USV[FL-RR]	Off	On	On
	HSV[FL-RR]	Off	On*	Off
RR RH ABS SOLENOID (ACT)	RR RH IN SOL	Off	Off	Off
	RR RH OUT SOL	Off	Off	Off
	USV[FL-RR]	Off	On	On
	HSV[FL-RR]	Off	On*	Off
RR LH ABS SOLENOID (ACT)	RR LH IN SOL	Off	Off	Off
	RR LH OUT SOL	Off	Off	Off
	USV[FR-RL]	Off	On	On
	HSV[FR-RL]	Off	On*	Off

*: On for 1 to 2 seconds after the select, and then Off.

NOTE:

A brief moment of On/Off condition occurs every 20 seconds after ignition switch turned ON. This is not malfunction because it is an operation for checking.

ABS MOTOR

- Select “On” and “Off” of “ACTIVE TEST” in “ABS” with CONSULT on screen. Make sure motor relay and actuator relay operates as shown in table below.

Test item	Display item	Display	
		On	Off
ABS MOTOR	MOTOR RELAY	On	Off
	ACTUATOR RLY (Note)	On	On

NOTE:

A brief moment of On/Off condition occurs every 20 seconds after ignition switch turned ON. This is not malfunction because it is an operation for checking.

ECU IDENTIFICATION

ABS actuator and electric unit (control unit) part number can be read.

SPECIFIC DATA MONITOR

Specific data monitor displays specific LDP operating conditions.

A
B
C
D
E
BRC
G
H
I
J
K
L
M
N
O
P

DIAGNOSIS SYSTEM [ABS ACTUATOR AND ELECTRIC UNIT (CONTROL UNIT)]

< SYSTEM DESCRIPTION >

[VDC/TCS/ABS]

Monitor item (Unit)	Remarks
YAW RATE SEN (d/s)	Yaw rate detected by yaw rate/side G sensor
LDP) YAW ORDER (×100Nm)	Calculated target yaw moment
LDP) WARN REQ (On/Off)	Status of warning request that transmits to lane camera unit via CAN communication
LDP) WARN CONTROL (On/Off)	Status of warning main controller for LDP
LDP) REDY SIGNAL (On/Off)	Status of internal judgment by LDP controller [ABS actuator and electric unit (control unit)]
LDP) STATUS SIGNAL (STANDBY/WARN/MASK/Off)	Status of internal judgment by LDP controller [ABS actuator and electric unit (control unit)]
LDP) CAMERA LOST (Detect/Deviate/Both)	Lane marker detected condition received from lane camera unit via CAN communication
LDP) LANE UNCLEAR (On/Off)	Lane marker condition received from lane camera unit via CAN communication

C1101, C1102, C1103, C1104 WHEEL SENSOR

< DTC/CIRCUIT DIAGNOSIS >

[VDC/TCS/ABS]

DTC/CIRCUIT DIAGNOSIS

C1101, C1102, C1103, C1104 WHEEL SENSOR

Description

INFOID:000000008286281

When the sensor rotor rotates, the magnetic field changes. It converts the magnetic field changes to current signals (rectangular wave) and transmits them to the ABS actuator and electric unit (control unit).

DTC Logic

INFOID:000000008286282

DTC DETECTION LOGIC

DTC	Display item	Malfunction detected condition	Possible cause
C1101	RR RH SENSOR-1	Circuit of rear RH wheel sensor is open. Or when the sensor power voltage is outside the standard.	<ul style="list-style-type: none">• Harness or connector• Wheel sensor• ABS actuator and electric unit (control unit)
C1102	RR LH SENSOR-1	Circuit of rear LH wheel sensor is open. Or when the sensor power voltage is outside the standard.	
C1103	FR RH SENSOR-1	Circuit of front RH wheel sensor is open. Or when the sensor power voltage is outside the standard.	
C1104	FR LH SENSOR-1	Circuit of front LH wheel sensor is open. Or when the sensor power voltage is outside the standard.	

DTC CONFIRMATION PROCEDURE

1. PRECONDITIONING

If "DTC CONFIRMATION PROCEDURE" has been previously conducted, always turn ignition switch OFF and wait at least 10 seconds before conducting the next test.

>> GO TO 2.

2. DTC REPRODUCTION PROCEDURE

1. Start the engine and drive the vehicle at 30 km/h (19 MPH) or more for approximately 1 minute.
2. Perform self-diagnosis for "ABS" with CONSULT.

Is DTC "C1101", "C1102", "C1103" or "C1104" detected?

- YES >> Proceed to diagnosis. Refer to [BRC-37, "Diagnosis Procedure"](#).
NO >> INSPECTION END

Diagnosis Procedure

INFOID:000000008286283

CAUTION:

Never check between wheel sensor harness connector terminals.

1. CHECK WHEEL SENSOR

1. Turn the ignition switch OFF.
2. Check wheel sensor for damage.

Is the inspection result normal?

- YES >> GO TO 3.
NO >> GO TO 2.

2. REPLACE WHEEL SENSOR (1)

1. Replace wheel sensor.
 - Front: Refer to [BRC-129, "FRONT WHEEL SENSOR : Removal and Installation"](#).
 - Rear: Refer to [BRC-130, "REAR WHEEL SENSOR : Removal and Installation"](#).
2. Erase self-diagnosis result for "ABS".
3. Turn the ignition switch OFF, and wait 10 seconds or more.
4. Start the engine.
5. Drive the vehicle at approx. 30 km/h (19 MPH) or more for approx. 1 minute.
6. Stop the vehicle.

C1101, C1102, C1103, C1104 WHEEL SENSOR

[VDC/TCS/ABS]

< DTC/CIRCUIT DIAGNOSIS >

7. Perform self-diagnosis for "ABS" with CONSULT.

Is DTC "C1101", "C1102", "C1103" or "C1104" detected?

YES >> GO TO 3.

NO >> INSPECTION END

3.CHECK CONNECTOR

1. Turn the ignition switch OFF.

2. Check ABS actuator and electric unit (control unit) harness connector for disconnection or looseness.

3. Check wheel sensor harness connector for disconnection or looseness.

Is the inspection result normal?

YES >> GO TO 5.

NO >> Repair or replace error-detected parts, securely lock the connector, and GO TO 4.

4.PERFORM SELF-DIAGNOSIS (1)

1. Erase self-diagnosis result for "ABS" with CONSULT.

2. Turn the ignition switch OFF, and wait 10 seconds or more.

3. Start the engine.

4. Drive the vehicle at approx. 30 km/h (19 MPH) or more for approx. 1 minute.

5. Stop the vehicle.

6. Perform self-diagnosis for "ABS" with CONSULT.

Is DTC "C1101", "C1102", "C1103" or "C1104" detected?

YES >> GO TO 5.

NO >> INSPECTION END

5.CHECK TERMINAL

1. Turn the ignition switch OFF.

2. Disconnect ABS actuator and electric unit (control unit) harness connector and then check ABS actuator and electric unit (control unit) pin terminals for damage or loose connection with harness connector.

3. Disconnect wheel sensor harness connector and check each wheel sensor pin terminals for damage or loose connection with harness connector.

Is the inspection result normal?

YES >> GO TO 7.

NO >> Repair or replace error-detected parts and GO TO 6.

6.PERFORM SELF-DIAGNOSIS (2)

1. Connect ABS actuator and electric unit (control unit) harness connector.

2. Connect wheel sensor harness connector.

3. Erase self-diagnosis result for "ABS".

4. Turn the ignition switch OFF, and wait 10 seconds or more.

5. Start the engine.

6. Drive the vehicle at approx. 30 km/h (19 MPH) or more for approx. 1 minute.

7. Stop the vehicle.

8. Perform self-diagnosis for "ABS" with CONSULT.

Is DTC "C1101", "C1102", "C1103" or "C1104" detected?

YES >> GO TO 7.

NO >> INSPECTION END

7.CHECK WHEEL SENSOR HARNESS

1. Turn the ignition switch OFF.

2. Disconnect ABS actuator and electric unit (control unit) harness connector.

3. Disconnect wheel sensor harness connector.

4. Check continuity between ABS actuator and electric unit (control unit) harness connector and wheel sensor harness connector. (Check continuity when steering wheel is steered to RH and LH, or center harness in wheel housing is moved.)

C1101, C1102, C1103, C1104 WHEEL SENSOR

< DTC/CIRCUIT DIAGNOSIS >

[VDC/TCS/ABS]

Measurement connector and terminal for power supply circuit				
ABS actuator and electric unit (control unit)		Wheel sensor		Continuity
Connector	Terminal	Connector	Terminal	
E41	26	E60 (Front LH)	1	Existed
	9	E27 (Front RH)		
	6	B34 (Rear LH)		
	7	B33 (Rear RH)		

Measurement connector and terminal for signal circuit				
ABS actuator and electric unit (control unit)		Wheel sensor		Continuity
Connector	Terminal	Connector	Terminal	
E41	5	E60 (Front LH)	2	Existed
	10	E27 (Front RH)		
	27	B34 (Rear LH)		
	29	B33 (Rear RH)		

Is the inspection result normal?

YES >> GO TO 9.

NO >> Repair or replace error-detected parts and GO TO 8.

8. PERFORM SELF-DIAGNOSIS (3)

1. Connect ABS actuator and electric unit (control unit) harness connector.
2. Connect wheel sensor harness connector.
3. Erase self-diagnosis result for "ABS".
4. Turn the ignition switch OFF, and wait 10 seconds or more.
5. Start the engine.
6. Drive the vehicle at approx. 30 km/h (19 MPH) or more for approx. 1 minute.
7. Stop the vehicle.
8. Perform self-diagnosis for "ABS" with CONSULT.

Is DTC "C1101", "C1102", "C1103" or "C1104" detected?

YES >> GO TO 9.

NO >> INSPECTION END

9. REPLACE WHEEL SENSOR

1. Replace wheel sensor.
 - Front: Refer to [BRC-129, "FRONT WHEEL SENSOR : Removal and Installation"](#).
 - Rear: Refer to [BRC-130, "REAR WHEEL SENSOR : Removal and Installation"](#).
2. Erase self-diagnosis result for "ABS" with CONSULT.
3. Turn the ignition switch OFF, and wait 10 seconds or more.
4. Start the engine.
5. Drive the vehicle at approx. 30 km/h (19 MPH) or more for approx. 1 minute.
6. Stop the vehicle.
7. Perform self-diagnosis for "ABS" with CONSULT.

Is DTC "C1101", "C1102", "C1103" or "C1104" detected?

YES >> Replace ABS actuator and electric unit (control unit). Refer to [BRC-132, "Exploded View"](#).

NO >> INSPECTION END

Special Repair Requirement

INFOID:000000008286284

1. ADJUSTMENT OF STEERING ANGLE SENSOR NEUTRAL POSITION

Always perform the neutral position adjustment for the steering angle sensor, when replacing the ABS actuator and electric unit (control unit). Refer to [BRC-9, "ADJUSTMENT OF STEERING ANGLE SENSOR NEUTRAL POSITION : Description"](#).

>> END

C1105, C1106, C1107, C1108 WHEEL SENSOR

< DTC/CIRCUIT DIAGNOSIS >

[VDC/TCS/ABS]

C1105, C1106, C1107, C1108 WHEEL SENSOR

Description

INFOID:000000008286285

When the sensor rotor rotates, the magnetic field changes. It converts the magnetic field changes to current signals (rectangular wave) and transmits them to the ABS actuator and electric unit (control unit).

DTC Logic

INFOID:000000008286286

DTC DETECTION LOGIC

DTC	Display item	Malfunction detected condition	Possible cause
C1105	RR RH SENSOR-2	When the circuit in the rear RH wheel sensor is short-circuited. Or when the distance between the wheel sensor and sensor rotor is too large and the sensor pulse cannot be recognized by the control unit.	<ul style="list-style-type: none">• Harness or connector• Wheel sensor• ABS actuator and electric unit (control unit)
C1106	RR LH SENSOR-2	When the circuit in the rear LH wheel sensor is short-circuited. Or when the distance between the wheel sensor and sensor rotor is too large and the sensor pulse cannot be recognized by the control unit.	
C1107	FR RH SENSOR-2	When the circuit in the front RH wheel sensor is short-circuited. Or when the distance between the wheel sensor and sensor rotor is too large and the sensor pulse cannot be recognized by the control unit.	
C1108	FR LH SENSOR-2	When the circuit in the front LH wheel sensor is short-circuited. Or when the distance between the wheel sensor and sensor rotor is too large and the sensor pulse cannot be recognized by the control unit.	

DTC CONFIRMATION PROCEDURE

1. PRECONDITIONING

If "DTC CONFIRMATION PROCEDURE" has been previously conducted, always turn ignition switch OFF and wait at least 10 seconds before conducting the next test.

>> GO TO 2.

2. DTC REPRODUCTION PROCEDURE

1. Start the engine and drive the vehicle at 30 km/h (19 MPH) or more for approximately 1 minute.
2. Perform self-diagnosis for "ABS" with CONSULT.

Is DTC "C1105", "C1106", "C1107" or "C1108" detected?

- YES >> Proceed to diagnosis. Refer to [BRC-40, "Diagnosis Procedure"](#).
NO >> INSPECTION END

Diagnosis Procedure

INFOID:000000008286287

CAUTION:

Never check between wheel sensor harness connector terminals.

1. CHECK ABS ACTUATOR AND ELECTRIC UNIT (CONTROL UNIT) POWER SUPPLY SYSTEM

Check ABS actuator and electric unit (control unit) power supply system. Refer to [BRC-96, "Diagnosis Procedure"](#).

Is the inspection result normal?

- YES >> GO TO 2.
NO >> Repair or replace error-detected parts.

2. CHECK TIRE

1. Turn the ignition switch OFF.
2. Check tire air pressure, wear and size. Refer to [WT-53, "Tire Air Pressure"](#).

C1105, C1106, C1107, C1108 WHEEL SENSOR

[VDC/TCS/ABS]

< DTC/CIRCUIT DIAGNOSIS >

Is the inspection result normal?

- YES >> GO TO 5.
NO >> Adjust air pressure or replace tire and GO TO 3.

3.CHECK DATA MONITOR (1)

1. Erase self-diagnosis result for "ABS" with CONSULT.
2. Turn the ignition switch OFF, and wait 10 seconds or more.
3. Start the engine.
4. Select "ABS" and "DATA MONITOR", check "FR LH SENSOR", "FR RH SENSOR", "RR LH SENSOR" and "RR RH SENSOR" with CONSULT.

NOTE:

Set the "DATA MONITOR" recording speed to "10 msec".

5. Read a value (wheel speed) of both normal wheel sensors and error-detecting wheel sensor.

Regarding the deference at 30 km/h (19 MPH) between the wheel speed detected by the error detecting wheel sensor and the maximum/minimum wheel speed detected by the normal wheel sensors, is the difference within 5%, respectively?

- YES >> GO TO 4.
NO >> GO TO 5.

4.PERFORM SELF-DIAGNOSIS (1)

1. Drive the vehicle at approx. 30 km/h (19 MPH) or more for approx. 1 minute.
2. Stop the vehicle.
3. Perform self-diagnosis for "ABS" with CONSULT.

Is DTC "C1105", "C1106", "C1107" or "C1108" detected?

- YES >> GO TO 5.
NO >> INSPECTION END

5.CHECK WHEEL SENSOR

1. Turn the ignition switch OFF.
2. Check wheel sensor for damage.
3. Remove dust and foreign matter adhered to the sensor rotor with a vacuum dust collector through the wheel sensor mounting hole.

CAUTION:

Install wheel sensor with no backlash and float, and tighten the mounting bolt to the specified torque.

- Front: Refer to [BRC-129, "FRONT WHEEL SENSOR : Exploded View"](#).
- Rear: Refer to [BRC-130, "REAR WHEEL SENSOR : Exploded View"](#).

Is the inspection result normal?

- YES >> GO TO 8.
NO >> GO TO 6.

6.REPLACE WHEEL SENSOR (1)

1. Replace wheel sensor.
 - Front: Refer to [BRC-129, "FRONT WHEEL SENSOR : Removal and Installation"](#).
 - Rear: Refer to [BRC-130, "REAR WHEEL SENSOR : Removal and Installation"](#).
2. Erase self-diagnosis result for "ABS" with CONSULT.
3. Turn the ignition switch OFF, and wait 10 seconds or more.
4. Start the engine.
5. Select "ABS" and "DATA MONITOR", check "FR LH SENSOR", "FR RH SENSOR", "RR LH SENSOR" and "RR RH SENSOR" with CONSULT.

NOTE:

Set the "DATA MONITOR" recording speed to "10 msec".

6. Read a value (wheel speed) of both normal wheel sensors and error-detecting wheel sensor.

Regarding the deference at 30 km/h (19 MPH) between the wheel speed detected by the error detecting wheel sensor and the maximum/minimum wheel speed detected by the normal wheel sensors, is the difference within 5%, respectively?

- YES >> GO TO 7.
NO >> GO TO 19.

C1105, C1106, C1107, C1108 WHEEL SENSOR

< DTC/CIRCUIT DIAGNOSIS >

[VDC/TCS/ABS]

7.PERFORM SELF-DIAGNOSIS (2)

Ⓜ With CONSULT.

1. Drive the vehicle at approx. 30 km/h (19 MPH) or more for approx. 1 minute.
2. Stop the vehicle.
3. Perform self-diagnosis for "ABS" with CONSULT.

Is DTC "C1105", "C1106", "C1107" or "C1108" detected?

YES >> GO TO 19.

NO >> INSPECTION END

8.CHECK CONNECTOR

1. Turn the ignition switch OFF.
2. Check ABS actuator and electric unit (control unit) harness connector for disconnection or looseness.
3. Check wheel sensor harness connector for disconnection or looseness.

Is the inspection result normal?

YES >> GO TO 11.

NO >> Repair or replace error-detected parts, securely lock the connector, and GO TO 9.

9.CHECK DATA MONITOR (2)

1. Erase self-diagnosis result for "ABS" with CONSULT.
2. Turn the ignition switch OFF, and wait 10 seconds or more.
3. Start the engine.
4. Select "ABS" and "DATA MONITOR", check "FR LH SENSOR", "FR RH SENSOR", "RR LH SENSOR" and "RR RH SENSOR" with CONSULT.

NOTE:

Set the "DATA MONITOR" recording speed to "10 msec".

5. Read a value (wheel speed) of both normal wheel sensors and error-detecting wheel sensor.

Regarding the deference at 30 km/h (19 MPH) between the wheel speed detected by the error detecting wheel sensor and the maximum/minimum wheel speed detected by the normal wheel sensors, is the difference within 5%, respectively?

YES >> GO TO 10.

NO >> GO TO 11.

10.PERFORM SELF-DIAGNOSIS (3)

1. Drive the vehicle at approx. 30 km/h (19 MPH) or more for approx. 1 minute.
2. Stop the vehicle.
3. Perform self-diagnosis for "ABS" with CONSULT.

Is DTC "C1105", "C1106", "C1107" or "C1108" detected?

YES >> GO TO 11.

NO >> INSPECTION END

11.CHECK TERMINAL

1. Turn the ignition switch OFF.
2. Disconnect ABS actuator and electric unit (control unit) harness connector and then check ABS actuator and electric unit (control unit) pin terminals for damage or loose connection with harness connector.
3. Disconnect wheel sensor harness connector and check each wheel sensor pin terminals for damage or loose connection with harness connector.

Is the inspection result normal?

YES >> GO TO 14.

NO >> Repair or replace error-detected parts and GO TO 12.

12.CHECK DATA MONITOR (3)

1. Connect ABS actuator and electric unit (control unit) harness connector.
2. Connect wheel sensor harness connector.
3. Erase self-diagnosis result for "ABS" with CONSULT.
4. Turn the ignition switch OFF, and wait 10 seconds or more.
5. Start the engine.
6. Select "ABS" and "DATA MONITOR", check "FR LH SENSOR", "FR RH SENSOR", "RR LH SENSOR" and "RR RH SENSOR" with CONSULT.

C1105, C1106, C1107, C1108 WHEEL SENSOR

< DTC/CIRCUIT DIAGNOSIS >

[VDC/TCS/ABS]

NOTE:

Set the "DATA MONITOR" recording speed to "10 msec".

7. Read a value (wheel speed) of both normal wheel sensors and error-detecting wheel sensor.

Regarding the deference at 30 km/h (19 MPH) between the wheel speed detected by the error detecting wheel sensor and the maximum/minimum wheel speed detected by the normal wheel sensors, is the difference within 5%, respectively?

YES >> GO TO 13.

NO >> GO TO 14.

13.PERFORM SELF-DIAGNOSIS (4)

1. Drive the vehicle at approx. 30 km/h (19 MPH) or more for approx. 1 minute.
2. Stop the vehicle.
3. Perform self-diagnosis for "ABS" with CONSULT.

Is DTC "C1105", "C1106", "C1107" or "C1108" detected?

YES >> GO TO 14.

NO >> INSPECTION END

14.CHECK WHEEL SENSOR HARNESS

1. Turn the ignition switch OFF.
2. Disconnect ABS actuator and electric unit (control unit) harness connector.
3. Disconnect wheel sensor harness connector.
4. Check continuity between ABS actuator and electric unit (control unit) harness connector and the ground.

ABS actuator and electric unit (control unit)		—	Continuity
Connector	Terminal		
E41	26, 5	Ground	Not existed
	9, 10		
	6, 27		
	7, 29		

Is the inspection result normal?

YES >> GO TO 15.

NO >> Repair or replace error-detected parts and GO TO 15.

15.CHECK DATA MONITOR (4)

1. Connect ABS actuator and electric unit (control unit) harness connector.
2. Connect wheel sensor harness connector.
3. Erase self-diagnosis result for "ABS" with CONSULT.
4. Turn the ignition switch OFF, and wait 10 seconds or more.
5. Start the engine.
6. Select "ABS" and "DATA MONITOR", check "FR LH SENSOR", "FR RH SENSOR", "RR LH SENSOR" and "RR RH SENSOR" with CONSULT.

NOTE:

Set the "DATA MONITOR" recording speed to "10 msec".

7. Read a value (wheel speed) of both normal wheel sensors and error-detecting wheel sensor.

Regarding the deference at 30 km/h (19 MPH) between the wheel speed detected by the error detecting wheel sensor and the maximum/minimum wheel speed detected by the normal wheel sensors, is the difference within 5%, respectively?

YES >> GO TO 16.

NO >> GO TO 17.

16.PERFORM SELF-DIAGNOSIS (5)

1. Drive the vehicle at approx. 30 km/h (19 MPH) or more for approx. 1 minute.
2. Stop the vehicle.
3. Perform self-diagnosis for "ABS" with CONSULT.

Is DTC "C1105", "C1106", "C1107" or "C1108" detected?

YES >> GO TO 17.

NO >> INSPECTION END

C1105, C1106, C1107, C1108 WHEEL SENSOR

< DTC/CIRCUIT DIAGNOSIS >

[VDC/TCS/ABS]

17. REPLACE WHEEL SENSOR

1. Replace wheel sensor.
 - Front: Refer to [BRC-129, "FRONT WHEEL SENSOR : Exploded View"](#).
 - Rear: Refer to [BRC-130, "REAR WHEEL SENSOR : Exploded View"](#).
2. Erase self-diagnosis result for "ABS" with CONSULT.
3. Turn the ignition switch OFF, and wait 10 seconds or more.
4. Start the engine.
5. Select "ABS" and "DATA MONITOR", check "FR LH SENSOR", "FR RH SENSOR", "RR LH SENSOR" and "RR RH SENSOR" with CONSULT.

NOTE:

Set the "DATA MONITOR" recording speed to "10 msec".

6. Read a value (wheel speed) of both normal wheel sensors and error-detecting wheel sensor.

Regarding the deference at 30 km/h (19 MPH) between the wheel speed detected by the error detecting wheel sensor and the maximum/minimum wheel speed detected by the normal wheel sensors, is the difference within 5%, respectively?

YES >> GO TO 18.

NO >> GO TO 19.

18. PERFORM SELF-DIAGNOSIS (6)

1. Drive the vehicle at approx. 30 km/h (19 MPH) or more for approx. 1 minute.
2. Stop the vehicle.
3. Perform self-diagnosis for "ABS" with CONSULT.

Is DTC "C1105", "C1106", "C1107" or "C1108" detected?

YES >> GO TO 19.

NO >> INSPECTION END

19. REPLACE SENSOR ROTOR

1. Replace sensor rotor.
 - Front: Refer to [BRC-131, "FRONT SENSOR ROTOR : Exploded View"](#).
 - Rear: Refer to [BRC-131, "REAR SENSOR ROTOR : Exploded View"](#).
2. Erase self-diagnosis result for "ABS" with CONSULT.
3. Turn the ignition switch OFF, and wait 10 seconds or more.
4. Start the engine.
5. Drive the vehicle at approx. 30 km/h (19 MPH) or more for approx. 1 minute.
6. Stop the vehicle.
7. Perform self-diagnosis for "ABS" with CONSULT.

Is DTC "C1105", "C1106", "C1107" or "C1108" detected?

YES >> Replace ABS actuator and electric unit (control unit). Refer to [BRC-132, "Exploded View"](#).

NO >> INSPECTION END

Special Repair Requirement

INFOID:000000008286288

1. ADJUSTMENT OF STEERING ANGLE SENSOR NEUTRAL POSITION

Always perform the neutral position adjustment for the steering angle sensor, when replacing the ABS actuator and electric unit (control unit). Refer to [BRC-9, "ADJUSTMENT OF STEERING ANGLE SENSOR NEUTRAL POSITION : Description"](#).

>> END

C1109 POWER AND GROUND SYSTEM

< DTC/CIRCUIT DIAGNOSIS >

[VDC/TCS/ABS]

C1109 POWER AND GROUND SYSTEM

Description

INFOID:000000008286289

Supplies electric power to the ABS actuator and electric unit (control unit).

DTC Logic

INFOID:000000008286290

DTC DETECTION LOGIC

DTC	Display item	Malfunction detected condition	Possible cause
C1109	BATTERY VOLTAGE [ABNORMAL]	When the ABS actuator and electric unit (control unit) power supply voltage is lower than normal.	<ul style="list-style-type: none">• Harness or connector• ABS actuator and electric unit (control unit)

DTC CONFIRMATION PROCEDURE

1. PRECONDITIONING

If "DTC CONFIRMATION PROCEDURE" has been previously conducted, always turn ignition switch OFF and wait at least 10 seconds before conducting the next test.

>> GO TO 2.

2. DTC REPRODUCTION PROCEDURE

1. Turn the ignition switch OFF to ON.
2. Perform self-diagnosis for "ABS" with CONSULT.

Is DTC "C1109" detected?

- YES >> Proceed to diagnosis procedure. Refer to [BRC-45. "Diagnosis Procedure"](#).
NO >> INSPECTION END

Diagnosis Procedure

INFOID:000000008286291

1. CHECK CONNECTOR

1. Turn the ignition switch OFF.
2. Disconnect ABS actuator and electric unit (control unit) harness connector.
3. Check terminal for deformation, disconnection, looseness, etc.

Is the inspection result normal?

- YES >> GO TO 2.
NO >> Repair or replace error-detected parts.

2. CHECK ABS ACTUATOR AND ELECTRIC UNIT (CONTROL UNIT) POWER SUPPLY

1. Check the voltage between ABS actuator and electric unit (control unit) harness connector and ground.

ABS actuator and electric unit (control unit)		—	Condition	Voltage
Connector	Terminal			
E41	28	Ground	Ignition switch: OFF	Approx. 0 V

2. Turn the ignition switch ON.

CAUTION:

Never start the engine.

3. Check the voltage between ABS actuator and electric unit (control unit) harness connector and ground.

ABS actuator and electric unit (control unit)		—	Condition	Voltage
Connector	Terminal			
E41	28	Ground	Ignition switch: ON	Battery voltage

Is the inspection result normal?

C1109 POWER AND GROUND SYSTEM

[VDC/TCS/ABS]

< DTC/CIRCUIT DIAGNOSIS >

- YES >> GO TO 4.
- NO >> GO TO 3.

3. CHECK ABS ACTUATOR AND ELECTRIC UNIT (CONTROL UNIT) POWER SUPPLY CIRCUIT

1. Turn the ignition switch OFF.
2. Check 10A fuse (45).
3. Disconnect IPDM E/R harness connector.
4. Check continuity between ABS actuator and electric unit (control unit) harness connector and IPDM E/R harness connector.

ABS actuator and electric unit (control unit)		IPDM E/R		Continuity
Connector	Terminal	Connector	Terminal	
E41	28	E5	25	Existed

Is the inspection result normal?

- YES >> Perform the trouble diagnosis for ignition power supply circuit. Refer to [PG-44, "Wiring Diagram - IGNITION POWER SUPPLY -"](#).
- NO >> Repair or replace error-detected parts.

4. CHECK ABS ACTUATOR AND ELECTRIC UNIT (CONTROL UNIT) GROUND CIRCUIT

Check the continuity between ABS actuator and electric unit (control unit) harness connector and ground.

ABS actuator and electric unit (control unit)		—	Continuity
Connector	Terminal		
E41	1	Ground	Existed
	4		

Is the inspection result normal?

- YES >> Replace ABS actuator and electric unit (control unit).
- NO >> Repair or replace error-detected parts. (Check ABS earth bolt for tightness and corrosion.)

Special Repair Requirement

INFOID:000000008286292

1. ADJUSTMENT OF STEERING ANGLE SENSOR NEUTRAL POSITION

Always perform the neutral position adjustment for the steering angle sensor, when replacing the ABS actuator and electric unit (control unit). Refer to [BRC-9, "ADJUSTMENT OF STEERING ANGLE SENSOR NEUTRAL POSITION : Description"](#).

>> END

C1110, C1153, C1170 ABS ACTUATOR AND ELECTRIC UNIT (CONTROL UNIT)

DTC Logic

INFOID:000000008286293

DTC DETECTION LOGIC

DTC	Display item	Malfunction detected condition	Possible cause
C1110	CONTROLLER FAILURE	When there is an internal malfunction in the ABS actuator and electric unit (control unit).	ABS actuator and electric unit (control unit)
C1153	EMERGENCY BRAKE	When ABS actuator and electric unit (control unit) is malfunctioning. (Pressure increase is too much or too little)	
C1170	VARIANT CODING	In a case where VARIANT CODING is different.	

DTC CONFIRMATION PROCEDURE

1. PRECONDITIONING

If "DTC CONFIRMATION PROCEDURE" has been previously conducted, always turn ignition switch OFF and wait at least 10 seconds before conducting the next test.

>> GO TO 2.

2. DTC REPRODUCTION PROCEDURE

1. Turn the ignition switch ON.
2. Perform self-diagnosis for "ABS" with CONSULT.

Is DTC "C1110", "C1153" or "C1170" detected?

- YES >> Proceed to diagnosis procedure. Refer to [BRC-47. "Diagnosis Procedure"](#).
 NO >> INSPECTION END

Diagnosis Procedure

INFOID:000000008286294

1. REPLACE ABS ACTUATOR AND ELECTRIC UNIT (CONTROL UNIT)

CAUTION:

Replace ABS actuator and electric unit (control unit) when self-diagnostic result shows items other than those applicable.

>> Replace ABS actuator and electric unit (control unit).

Special Repair Requirement

INFOID:000000008286295

1. ADJUSTMENT OF STEERING ANGLE SENSOR NEUTRAL POSITION

Always perform the neutral position adjustment for the steering angle sensor, when replacing the ABS actuator and electric unit (control unit). Refer to [BRC-9. "ADJUSTMENT OF STEERING ANGLE SENSOR NEUTRAL POSITION : Description"](#).

>> END

C1111 ABS MOTOR, MOTOR RELAY SYSTEM

< DTC/CIRCUIT DIAGNOSIS >

[VDC/TCS/ABS]

C1111 ABS MOTOR, MOTOR RELAY SYSTEM

Description

INFOID:000000008286296

PUMP

The pump returns the brake fluid stored in the reservoir to the master cylinder by reducing the pressure.

MOTOR

The motor drives the pump according to the signals transmitted by the ABS actuator and electric unit (control unit).

MOTOR RELAY

Activates or deactivates motor according to the signals transmitted by the ABS actuator and electric unit (control unit).

DTC Logic

INFOID:000000008286297

DTC DETECTION LOGIC

DTC	Display item	Malfunction detected condition	Possible cause
C1111	PUMP MOTOR	During the actuator motor operating with ON, when the actuator motor turns OFF, or when the control line for actuator motor relay is open.	<ul style="list-style-type: none">• Harness or connector• ABS actuator and electric unit (control unit)
		During the actuator motor operating with OFF, when the actuator motor turns ON, or when the control line for relay is shorted to ground.	

DTC CONFIRMATION PROCEDURE

1. PRECONDITIONING

If "DTC CONFIRMATION PROCEDURE" has been previously conducted, always turn ignition switch OFF and wait at least 10 seconds before conducting the next test.

>> GO TO 2.

2. DTC REPRODUCTION PROCEDURE

1. Turn the ignition switch ON.
2. Perform self-diagnosis for "ABS" with CONSULT.

Is DTC "C1111" detected?

- YES >> Proceed to diagnosis procedure. Refer to [BRC-48, "Diagnosis Procedure"](#).
NO >> INSPECTION END

Diagnosis Procedure

INFOID:000000008286298

1. CHECK CONNECTOR

1. Turn the ignition switch OFF.
2. Disconnect ABS actuator and electric unit (control unit) connector.
3. Check terminal for deformation, disconnect, looseness, etc.

Is the inspection result normal?

- YES >> GO TO 2.
NO >> Repair or replace error-detected parts.

2. CHECK ABS MOTOR AND MOTOR RELAY POWER SUPPLY CIRCUIT

Check the voltage between the ABS actuator and electric unit (control unit) harness connector and ground.

ABS actuator and electric unit (control unit)		—	Voltage
Connector	Terminal		
E41	2	Ground	Battery voltage

C1111 ABS MOTOR, MOTOR RELAY SYSTEM

[VDC/TCS/ABS]

< DTC/CIRCUIT DIAGNOSIS >

Is the inspection result normal?

YES >> GO TO 3.

NO >> Repair or replace error-detected parts.

3.CHECK ABS ACTUATOR AND ELECTRIC UNIT (CONTROL UNIT) GROUND CIRCUIT

Check the continuity between ABS actuator and electric unit (control unit) harness connector and ground.

ABS actuator and electric unit (control unit)		—	Continuity
Connector	Terminal		
E41	1	Ground	Existed
	4		

Is the inspection result normal?

YES >> Replace ABS actuator and electric unit (control unit).

NO >> Repair or replace error-detected parts.

Special Repair Requirement

INFOID:000000008286299

1.AJUSTMENT OF STEERING ANGLE SENSOR NEUTRAL POSITION

Always perform the neutral position adjustment for the steering angle sensor, when replacing the ABS actuator and electric unit (control unit). Refer to [BRC-9. "ADJUSTMENT OF STEERING ANGLE SENSOR NEUTRAL POSITION : Description"](#).

>> END

A
B
C
D
E
G
H
I
J
K
L
M
N
O
P

BRC

C1115 WHEEL SENSOR

< DTC/CIRCUIT DIAGNOSIS >

[VDC/TCS/ABS]

C1115 WHEEL SENSOR

Description

INFOID:000000008286304

When the sensor rotor rotates, the magnetic field changes. It converts the magnetic field changes to current signals (rectangular wave) and transmits them to the ABS actuator and electric unit (control unit).

DTC Logic

INFOID:000000008286305

DTC DETECTION LOGIC

DTC	Display item	Malfunction detected condition	Possible cause
C1115	ABS SENSOR [ABNORMAL SIGNAL]	When wheel sensor input signal is malfunctioning.	<ul style="list-style-type: none">• Harness or connector• Wheel sensor• ABS actuator and electric unit (control unit)

DTC CONFIRMATION PROCEDURE

1. PRECONDITIONING

If "DTC CONFIRMATION PROCEDURE" has been previously conducted, always turn ignition switch OFF and wait at least 10 seconds before conducting the next test.

>> GO TO 2.

2. DTC REPRODUCTION PROCEDURE

1. Start the engine and drive the vehicle at 30 km/h (19 MPH) or more for approximately 1 minute.
2. Perform self-diagnosis for "ABS" with CONSULT.

Is DTC "C1115" detected?

- YES >> Proceed to diagnosis. Refer to [BRC-50, "Diagnosis Procedure"](#).
NO >> INSPECTION END

Diagnosis Procedure

INFOID:000000008286306

CAUTION:

For wheel sensor, never check between terminals.

1. CHECK ABS ACTUATOR AND ELECTRIC UNIT (CONTROL UNIT) POWER SUPPLY SYSTEM

Check ABS actuator and electric unit (control unit) power supply system. Refer to [BRC-96, "Diagnosis Procedure"](#).

Is the inspection result normal?

- YES >> GO TO 2.
NO >> Repair or replace error-detected parts.

2. CHECK TIRE

1. Turn the ignition switch OFF.
2. Check tire air pressure, wear and size. Refer to [WT-53, "Tire Air Pressure"](#).

Is the inspection result normal?

- YES >> GO TO 5.
NO >> Adjust air pressure or replace tire and GO TO 3.

3. CHECK DATA MONITOR (1)

1. Erase self-diagnosis result for "ABS" with CONSULT.
2. Turn the ignition switch OFF, and wait 10 seconds or more.
3. Start the engine.
4. Select "ABS" and "DATA MONITOR", check "FR LH SENSOR", "FR RH SENSOR", "RR LH SENSOR" and "RR RH SENSOR" with CONSULT.

NOTE:

Set the "DATA MONITOR" recording speed to "10 msec".

C1115 WHEEL SENSOR

[VDC/TCS/ABS]

< DTC/CIRCUIT DIAGNOSIS >

5. Read a value (wheel speed) of both normal wheel sensors and error-detecting wheel sensor.

Regarding the deference at 30 km/h (19 MPH) between the wheel speed detected by the error detecting wheel sensor and the maximum/minimum wheel speed detected by the normal wheel sensors, is the difference within 5%, respectively?

YES >> GO TO 4.

NO >> GO TO 5.

4.PERFORM SELF-DIAGNOSIS (1)

1. Drive the vehicle at approx. 30 km/h (19 MPH) or more for approx. 1 minute.

2. Stop the vehicle.

3. Perform self-diagnosis for "ABS" with CONSULT.

Is DTC "C1115" detected?

YES >> GO TO 5.

NO >> INSPECTION END

5.CHECK WHEEL SENSOR

1. Turn the ignition switch OFF.

2. Check wheel sensor for damage.

3. Remove dust and foreign matter adhered to the sensor rotor with a vacuum dust collector through the wheel sensor mounting hole.

CAUTION:

Install wheel sensor with no backlash and float, and tighten the mounting bolt to the specified torque.

• **Front:** Refer to [BRC-129, "FRONT WHEEL SENSOR : Exploded View"](#).

• **Rear:** Refer to [BRC-130, "REAR WHEEL SENSOR : Exploded View"](#).

Is the inspection result normal?

YES >> GO TO 8.

NO >> GO TO 6.

6.REPLACE WHEEL SENSOR (1)

1. Replace wheel sensor.

- Front: Refer to [BRC-129, "FRONT WHEEL SENSOR : Exploded View"](#).

- Rear: Refer to [BRC-130, "REAR WHEEL SENSOR : Exploded View"](#).

2. Erase self-diagnosis result for "ABS" with CONSULT.

3. Turn the ignition switch OFF, and wait 10 seconds or more.

4. Start the engine.

5. Select "ABS" and "DATA MONITOR", check "FR LH SENSOR", "FR RH SENSOR", "RR LH SENSOR" and "RR RH SENSOR" with CONSULT.

NOTE:

Set the "DATA MONITOR" recording speed to "10 msec".

6. Read a value (wheel speed) of both normal wheel sensors and error-detecting wheel sensor.

Regarding the deference at 30 km/h (19 MPH) between the wheel speed detected by the error detecting wheel sensor and the maximum/minimum wheel speed detected by the normal wheel sensors, is the difference within 5%, respectively?

YES >> GO TO 7.

NO >> GO TO 19.

7.PERFORM SELF-DIAGNOSIS (2)

1. Drive the vehicle at approx. 30 km/h (19 MPH) or more for approx. 1 minute.

2. Stop the vehicle.

3. Perform self-diagnosis for "ABS" with CONSULT.

Is DTC "C1115" detected?

YES >> GO TO 19.

NO >> INSPECTION END

8.CHECK CONNECTOR

1. Turn the ignition switch OFF.

2. Check ABS actuator and electric unit (control unit) harness connector for disconnection or looseness.

3. Check wheel sensor harness connector for disconnection or looseness.

C1115 WHEEL SENSOR

[VDC/TCS/ABS]

< DTC/CIRCUIT DIAGNOSIS >

Is the inspection result normal?

YES >> GO TO 11.

NO >> Repair or replace error-detected parts, securely lock the connector, and GO TO 9.

9. CHECK DATA MONITOR (2)

1. Erase self-diagnosis result for "ABS" with CONSULT.
2. Turn the ignition switch OFF, and wait 10 seconds or more.
3. Start the engine.
4. Select "ABS" and "DATA MONITOR", check "FR LH SENSOR", "FR RH SENSOR", "RR LH SENSOR" and "RR RH SENSOR" with CONSULT.

NOTE:

Set the "DATA MONITOR" recording speed to "10 msec".

5. Read a value (wheel speed) of both normal wheel sensors and error-detecting wheel sensor.

Regarding the deference at 30 km/h (19 MPH) between the wheel speed detected by the error detecting wheel sensor and the maximum/minimum wheel speed detected by the normal wheel sensors, is the difference within 5%, respectively?

YES >> GO TO 10.

NO >> GO TO 11.

10. PERFORM SELF-DIAGNOSIS (3)

1. Drive the vehicle at approx. 30 km/h (19 MPH) or more for approx. 1 minute.
2. Stop the vehicle.
3. Perform self-diagnosis for "ABS" with CONSULT.

Is DTC "C1115" detected?

YES >> GO TO 11.

NO >> INSPECTION END

11. CHECK TERMINAL

1. Turn the ignition switch OFF.
2. Disconnect ABS actuator and electric unit (control unit) harness connector and then check ABS actuator and electric unit (control unit) pin terminals for damage or loose connection with harness connector.
3. Disconnect wheel sensor harness connector and check each wheel sensor pin terminals for damage or loose connection with harness connector.

Is the inspection result normal?

YES >> GO TO 14.

NO >> Repair or replace error-detected parts and GO TO 12.

12. CHECK DATA MONITOR (3)

1. Connect ABS actuator and electric unit (control unit) harness connector.
2. Connect wheel sensor harness connector.
3. Erase self-diagnosis result for "ABS" with CONSULT.
4. Turn the ignition switch OFF, and wait 10 seconds or more.
5. Start the engine.
6. Select "ABS" and "DATA MONITOR", check "FR LH SENSOR", "FR RH SENSOR", "RR LH SENSOR" and "RR RH SENSOR" with CONSULT.

NOTE:

Set the "DATA MONITOR" recording speed to "10 msec".

7. Read a value (wheel speed) of both normal wheel sensors and error-detecting wheel sensor.

Regarding the deference at 30 km/h (19 MPH) between the wheel speed detected by the error detecting wheel sensor and the maximum/minimum wheel speed detected by the normal wheel sensors, is the difference within 5%, respectively?

YES >> GO TO 13.

NO >> GO TO 14.

13. PERFORM SELF-DIAGNOSIS (4)

1. Drive the vehicle at approx. 30 km/h (19 MPH) or more for approx. 1 minute.
2. Stop the vehicle.
3. Perform self-diagnosis for "ABS" with CONSULT.

Is DTC "C1115" detected?

C1115 WHEEL SENSOR

[VDC/TCS/ABS]

< DTC/CIRCUIT DIAGNOSIS >

- YES >> GO TO 14.
 NO >> INSPECTION END

14. CHECK WHEEL SENSOR HARNESS

1. Turn the ignition switch OFF.
2. Disconnect ABS actuator and electric unit (control unit) harness connector.
3. Disconnect wheel sensor harness connector.
4. Check continuity between ABS actuator and electric unit (control unit) harness connector and wheel sensor harness connector. (Check continuity when steering wheel is steered to RH and LH, or center harness in wheel housing is moved.)

Measurement connector and terminal for power supply circuit

ABS actuator and electric unit (control unit)		Wheel sensor		Continuity
Connector	Terminal	Connector	Terminal	
E41	26	E60 (Front LH)	1	Existed
	9	E27 (Front RH)		
	6	B34 (Rear LH)		
	7	B33 (Rear RH)		

Measurement connector and terminal for signal circuit

ABS actuator and electric unit (control unit)		Wheel sensor		Continuity
Connector	Terminal	Connector	Terminal	
E41	5	E60 (Front LH)	2	Existed
	10	E27 (Front RH)		
	27	B34 (Rear LH)		
	29	B33 (Rear RH)		

5. Check continuity between ABS actuator and electric unit (control unit) harness connector and the ground.

ABS actuator and electric unit (control unit)		—	Continuity
Connector	Terminal		
E41	26, 5	Ground	Not existed
	9, 10		
	6, 27		
	7, 29		

Is the inspection result normal?

- YES >> GO TO 15.
 NO >> Repair or replace error-detected parts and GO TO 15.

15. CHECK DATA MONITOR (4)

1. Connect ABS actuator and electric unit (control unit) harness connector.
2. Connect wheel sensor harness connector.
3. Erase self-diagnosis result for "ABS" with CONSULT.
4. Turn the ignition switch OFF, and wait 10 seconds or more.
5. Start the engine.
6. Select "ABS" and "DATA MONITOR", check "FR LH SENSOR", "FR RH SENSOR", "RR LH SENSOR" and "RR RH SENSOR" with CONSULT.

NOTE:

Set the "DATA MONITOR" recording speed to "10 msec".

7. Read a value (wheel speed) of both normal wheel sensors and error-detecting wheel sensor.

Regarding the deference at 30 km/h (19 MPH) between the wheel speed detected by the error detecting wheel sensor and the maximum/minimum wheel speed detected by the normal wheel sensors, is the difference within 5%, respectively?

- YES >> GO TO 16.
 NO >> GO TO 17.

< DTC/CIRCUIT DIAGNOSIS >

16.PERFORM SELF-DIAGNOSIS (5)

1. Drive the vehicle at approx. 30 km/h (19 MPH) or more for approx. 1 minute.
2. Stop the vehicle.
3. Perform self-diagnosis for "ABS" with CONSULT.

Is DTC "C1115" detected?

YES >> GO TO 17.

NO >> INSPECTION END

17.REPLACE WHEEL SENSOR

1. Replace wheel sensor.
 - Front: Refer to [BRC-129. "FRONT WHEEL SENSOR : Exploded View"](#).
 - Rear: Refer to [BRC-130. "REAR WHEEL SENSOR : Exploded View"](#).
2. Erase self-diagnosis result for "ABS" with CONSULT.
3. Turn the ignition switch OFF, and wait 10 seconds or more.
4. Start the engine.
5. Select "ABS" and "DATA MONITOR", check "FR LH SENSOR", "FR RH SENSOR", "RR LH SENSOR" and "RR RH SENSOR" with CONSULT.

NOTE:

Set the "DATA MONITOR" recording speed to "10 msec".

6. Read a value (wheel speed) of both normal wheel sensors and error-detecting wheel sensor.

Regarding the deference at 30 km/h (19 MPH) between the wheel speed detected by the error detecting wheel sensor and the maximum/minimum wheel speed detected by the normal wheel sensors, is the difference within 5%, respectively?

YES >> GO TO 18.

NO >> GO TO 19.

18.PERFORM SELF-DIAGNOSIS (6)

1. Drive the vehicle at approx. 30 km/h (19 MPH) or more for approx. 1 minute.
2. Stop the vehicle.
3. Perform self-diagnosis for "ABS" with CONSULT.

Is DTC "C1115" detected?

YES >> GO TO 19.

NO >> INSPECTION END

19.REPLACE SENSOR ROTOR

1. Replace sensor rotor.
 - Front: Refer to [BRC-131. "FRONT SENSOR ROTOR : Exploded View"](#).
 - Rear: Refer to [BRC-131. "REAR SENSOR ROTOR : Exploded View"](#).
2. Erase self-diagnosis result for "ABS".
3. Turn the ignition switch OFF, and wait 10 seconds or more.
4. Start the engine.
5. Drive the vehicle at approx. 30 km/h (19 MPH) or more for approx. 1 minute.
6. Stop the vehicle.
7. Perform self-diagnosis for "ABS" with CONSULT.

Is DTC "C1115" detected?YES >> Replace ABS actuator and electric unit (control unit). Refer to [BRC-132. "Exploded View"](#).

NO >> INSPECTION END

Special Repair Requirement

INFOID:000000008286307

1.ADJUSTMENT OF STEERING ANGLE SENSOR NEUTRAL POSITION

Always perform the neutral position adjustment for the steering angle sensor, when replacing the ABS actuator and electric unit (control unit). Refer to [BRC-9. "ADJUSTMENT OF STEERING ANGLE SENSOR NEUTRAL POSITION : Description"](#).

>> END

C1116 STOP LAMP SWITCH

< DTC/CIRCUIT DIAGNOSIS >

[VDC/TCS/ABS]

C1116 STOP LAMP SWITCH

Description

INFOID:000000008286308

The stop lamp switch transmits the stop lamp switch signal (ON/OFF) to the ABS actuator and electric unit (control unit).

DTC Logic

INFOID:000000008286309

DTC DETECTION LOGIC

DTC	Display item	Malfunction detected condition	Possible cause
C1116	STOP LAMP SW	When a stop lamp switch signal is not input where the brake pedal is depressed.	<ul style="list-style-type: none">• Harness or connector• Stop lamp switch• ABS actuator and electric unit (control unit)

DTC CONFIRMATION PROCEDURE

1. PRECONDITIONING

If "DTC CONFIRMATION PROCEDURE" has been previously conducted, always turn ignition switch OFF and wait at least 10 seconds before conducting the next test.

>> GO TO 2.

2. DTC REPRODUCTION PROCEDURE

1. Turn the ignition switch ON.
2. Perform self-diagnosis for "ABS" with CONSULT.

Is DTC "C1116" detected?

- YES >> Proceed to diagnosis procedure. Refer to [BRC-55, "Diagnosis Procedure"](#).
NO >> INSPECTION END

Diagnosis Procedure

INFOID:000000008286310

NOTE:

DTC "C1116" may be detected when the brake pedal and the accelerator pedal are simultaneously depressed for 1 minute or more while driving the vehicle. This is not a malfunction.

1. INTERVIEW FROM THE CUSTOMER

Check if the brake pedal and the accelerator pedal are simultaneously depressed for 1 minute or more while driving the vehicle.

Is there such a history?

- YES >> GO TO 2.
NO >> GO TO 3.

2. PERFORM SELF-DIAGNOSIS

1. Erase self-diagnosis result for "ABS" with CONSULT.
2. Turn the ignition switch OFF, and wait 10 seconds or more.
3. Start the engine.

CAUTION:

Never start the vehicle.

4. Depress the brake pedal several times.
5. Perform self-diagnosis for "ABS" with CONSULT.

Is DTC "C1116" detected?

- YES >> GO TO 3.
NO >> INSPECTION END

3. STOP LAMP FOR ILLUMINATION

Depress brake pedal and check that stop lamp turns ON.

C1116 STOP LAMP SWITCH

[VDC/TCS/ABS]

< DTC/CIRCUIT DIAGNOSIS >

Does stop lamp turn ON?

YES >> GO TO 5.

NO >> Check stop lamp system. Refer to [EXL-154, "Wiring Diagram - BCM -"](#) (XENON TYPE), [EXL-344, "Wiring Diagram - BCM -"](#) (HALOGEN TYPE). GO TO 4.

4.CHECK DATA MONITOR (1)

1. Erase self-diagnosis result for "ABS" with CONSULT.
2. Turn the ignition switch OFF, and wait 10 seconds or more.
3. Start the engine.

CAUTION:

Never start the vehicle.

4. Select "ABS", "DATA MONITOR" and "STOP LAMP SW" according to this order with CONSULT. Check that data monitor displays "On" or "Off" when brake pedal is depress or release. Refer to [BRC-106, "Reference Value"](#).
5. Select "ABS", "DATA MONITOR" and "pressure sensor" according to this order. Check that data monitor displays "5 bar" or less when brake pedal is depress. Refer to [BRC-106, "Reference Value"](#).

Is the inspection result normal?

YES >> INSPECTION END

NO >> GO TO 5.

5.CHECK STOP LAMP SWITCH CLEARANCE

1. Turn the ignition switch OFF.
2. Check stop lamp switch clearance. Refer to [BR-7, "Inspection and Adjustment"](#).

Is the inspection result normal?

YES >> GO TO 7.

NO >> Adjust stop lamp switch clearance. GO TO 6.

6.CHECK DATA MONITOR (2)

1. Erase self-diagnosis result for "ABS" with CONSULT.
2. Turn the ignition switch OFF, and wait 10 seconds or more.
3. Start the engine.

CAUTION:

Never start the vehicle.

4. Select "ABS", "DATA MONITOR" and "STOP LAMP SW" according to this order with CONSULT. Check that data monitor displays "On" or "Off" when brake pedal is depress or release. Refer to [BRC-106, "Reference Value"](#).
5. Select "ABS", "DATA MONITOR" and "pressure sensor" according to this order. Check that data monitor displays "5 bar" or less when brake pedal is depress. Refer to [BRC-106, "Reference Value"](#).

Is the inspection result normal?

YES >> INSPECTION END

NO >> GO TO 7.

7.CHECK STOP LAMP SWITCH

Check stop lamp switch. Refer to [BRC-58, "Component Inspection"](#).

Is the inspection result normal?

YES >> GO TO 9.

NO >> Replace stop lamp switch. GO TO 8.

8.CHECK DATA MONITOR (3)

1. Erase self-diagnosis result for "ABS" with CONSULT.
2. Turn the ignition switch OFF, and wait 10 seconds or more.
3. Start the engine.

CAUTION:

Never start the vehicle.

4. Select "ABS", "DATA MONITOR" and "STOP LAMP SW" according to this order with CONSULT. Check that data monitor displays "On" or "Off" when brake pedal is depress or release. Refer to [BRC-106, "Reference Value"](#).
5. Select "ABS", "DATA MONITOR" and "pressure sensor" according to this order. Check that data monitor displays "5 bar" or less when brake pedal is depress. Refer to [BRC-106, "Reference Value"](#).

C1116 STOP LAMP SWITCH

[VDC/TCS/ABS]

< DTC/CIRCUIT DIAGNOSIS >

Is the inspection result normal?

- YES >> INSPECTION END
- NO >> GO TO 9.

9. CHECK CONNECTOR AND TERMINAL

1. Turn the ignition switch OFF.
2. Disconnect ABS actuator and electric unit (control unit) harness connector.
3. Check ABS actuator and electric unit (control unit) harness connector for disconnection or looseness.
4. Check ABS actuator and electric unit (control unit) pin terminals for damage or loose connection with harness connector.
5. Disconnect stop lamp switch harness connector.
6. Check stop lamp switch harness connector for disconnection or looseness.
7. Check stop lamp switch pin terminals for damage or loose connection with harness connector.

Is the inspection result normal?

- YES >> GO TO 11.
- NO >> Repair or replace error-detected parts. GO TO 10.

10. CHECK DATA MONITOR (4)

1. Connect ABS actuator and electric unit (control unit) harness connector.
2. Connect stop lamp switch harness connector.
3. Erase self-diagnosis result for "ABS" with CONSULT.
4. Turn the ignition switch OFF, and wait 10 seconds or more.
5. Start the engine.
 - CAUTION:**
 - Never start the vehicle.**
6. Select "ABS", "DATA MONITOR" and "STOP LAMP SW" according to this order with CONSULT. Check that data monitor displays "On" or "Off" when brake pedal is depress or release. Refer to [BRC-106, "Reference Value"](#).
7. Select "ABS", "DATA MONITOR" and "pressure sensor" according to this order. Check that data monitor displays "5 bar" or less when brake pedal is depress. Refer to [BRC-106, "Reference Value"](#).

Is the inspection result normal?

- YES >> INSPECTION END
- NO >> GO TO 11.

11. CHECK STOP LAMP SWITCH CIRCUIT (1)

1. Turn the ignition switch OFF.
2. Disconnect ABS actuator and electric unit (control unit) harness connector.
3. Check voltage between ABS actuator and electric unit (control unit) harness connector and ground.

ABS actuator and electric unit (control unit)		—	Condition	Voltage
Connector	Terminal			
E41	30	Ground	Brake pedal depressed	Battery voltage
			Brake pedal not depressed	Approx. 0 V

4. Turn the ignition switch ON.
5. Check voltage between ABS actuator and electric unit (control unit) harness connector and ground.

ABS actuator and electric unit (control unit)		—	Condition	Voltage
Connector	Terminal			
E41	30	Ground	Brake pedal depressed	Battery voltage
			Brake pedal not depressed	Approx. 0 V

Is the inspection result normal?

- YES >> Replace ABS actuator and electric unit (control unit). Refer to [BRC-132, "Exploded View"](#).
- NO >> Repair or replace error-detected parts. GO TO 12.

12. CHECK STOP LAMP SWITCH CIRCUIT (2)

1. Turn the ignition switch OFF.

C1116 STOP LAMP SWITCH

[VDC/TCS/ABS]

< DTC/CIRCUIT DIAGNOSIS >

2. Disconnect stop lamp switch harness connector.
3. Check continuity between ABS actuator and electric unit (control unit) harness connector and stop lamp switch harness connector.

ABS actuator and electric unit (control unit)		Stop lamp switch		Continuity
Connector	Terminal	Connector	Terminal	
E41	30	E110	2	Existed

4. Check continuity between ABS actuator and electric unit (control unit) harness connector and the ground.

ABS actuator and electric unit (control unit)		—	Continuity
Connector	Terminal		
E41	30	Ground	Not existed

Is the inspection result normal?

- YES >> Replace ABS actuator and electric unit (control unit). Refer to [BRC-132, "Exploded View"](#).
 NO >> Repair or replace error-detected parts. GO TO 13.

13.CHECK DATA MONITOR (5)

1. Connect ABS actuator and electric unit (control unit) harness connector.
2. Connect stop lamp switch harness connector.
3. Erase self-diagnosis result for "ABS" with CONSULT.
4. Turn the ignition switch OFF, and wait 10 seconds or more.
5. Start the engine.
CAUTION:
Never start the vehicle.
6. Select "ABS", "DATA MONITOR" and "STOP LAMP SW" according to this order with CONSULT. Check that data monitor displays "On" or "Off" when brake pedal is depress or release. Refer to [BRC-106, "Reference Value"](#).
7. Select "ABS", "DATA MONITOR" and "pressure sensor" according to this order. Check that data monitor displays "5 bar" or less when brake pedal is depress. Refer to [BRC-106, "Reference Value"](#).

Is the inspection result normal?

- YES >> INSPECTION END
 NO >> Replace ABS actuator and electric unit (control unit). Refer to [BRC-132, "Exploded View"](#).

Component Inspection

INFOID:000000008286311

1.CHECK STOP LAMP SWITCH

1. Turn the ignition switch OFF.
2. Disconnect stop lamp switch connector.
3. Check the continuity between stop lamp switch connector terminals.

Stop lamp switch	Condition	Continuity
Terminal		
1 - 2	Release stop lamp switch (When brake pedal is depressed.)	Existed
	Push stop lamp switch (When brake pedal is released.)	Not existed

Is the inspection result normal?

- YES >> INSPECTION END
 NO >> Replace stop lamp switch. Refer to [BR-18, "Exploded View"](#).

Special Repair Requirement

INFOID:000000008286312

1.AJUSTMENT OF STEERING ANGLE SENSOR NEUTRAL POSITION

C1116 STOP LAMP SWITCH

[VDC/TCS/ABS]

< DTC/CIRCUIT DIAGNOSIS >

Always perform the neutral position adjustment for the steering angle sensor, when replacing the ABS actuator and electric unit (control unit). Refer to [BRC-9, "ADJUSTMENT OF STEERING ANGLE SENSOR NEUTRAL POSITION : Description"](#).

>> END

A
B
C
D
E
G
H
I
J
K
L
M
N
O
P

BRC

C1120, C1122, C1124, C1126 IN ABS SOL

< DTC/CIRCUIT DIAGNOSIS >

[VDC/TCS/ABS]

C1120, C1122, C1124, C1126 IN ABS SOL

Description

INFOID:000000008286313

The solenoid valve increases, holds or decreases the fluid pressure of each brake caliper according to the signals transmitted by the ABS actuator and electric unit (control unit).

DTC Logic

INFOID:000000008286314

DTC DETECTION LOGIC

DTC	Display item	Malfunction detected condition	Possible cause
C1120	FR LH IN ABS SOL	When the control unit detects a malfunction in the front LH inlet solenoid circuit.	ABS actuator and electric unit (control unit)
C1122	FR RH IN ABS SOL	When the control unit detects a malfunction in the front RH inlet solenoid circuit.	
C1124	RR LH IN ABS SOL	When the control unit detects a malfunction in the rear LH inlet solenoid circuit.	
C1126	RR RH IN ABS SOL	When the control unit detects a malfunction in the rear RH inlet solenoid circuit.	

DTC CONFIRMATION PROCEDURE

1. PRECONDITIONING

If "DTC CONFIRMATION PROCEDURE" has been previously conducted, always turn ignition switch OFF and wait at least 10 seconds before conducting the next test.

>> GO TO 2.

2. DTC REPRODUCTION PROCEDURE

1. Turn the ignition switch ON.
2. Perform self-diagnosis for "ABS" with CONSULT.

Is DTC "C1120", "C1122", "C1124" or "C1126" detected?

- YES >> Proceed to diagnosis procedure. Refer to [BRC-60, "Diagnosis Procedure"](#).
NO >> INSPECTION END

Diagnosis Procedure

INFOID:000000008286315

1. CHECK CONNECTOR

1. Turn the ignition switch OFF.
2. Disconnect ABS actuator and electric unit (control unit) connector.
3. Check terminal for deformation, disconnection, looseness, etc.

Is the inspection result normal?

- YES >> GO TO 2.
NO >> Repair or replace error-detected parts.

2. CHECK SOLENOID, VDC SWITCH-OVER VALVE AND ACTUATOR RELAY POWER SUPPLY CIRCUIT

Check the voltage between ABS actuator and electric unit (control unit) harness connector and ground.

ABS actuator and electric unit (control unit)		—	Voltage
Connector	Terminal		
E41	3	Ground	Battery voltage

Is the inspection result normal?

- YES >> GO TO 3.
NO >> Repair or replace error-detected parts.

C1120, C1122, C1124, C1126 IN ABS SOL

< DTC/CIRCUIT DIAGNOSIS >

[VDC/TCS/ABS]

3. CHECK SOLENOID, VDC SWITCH-OVER VALVE AND ACTUATOR RELAY GROUND CIRCUIT

Check the continuity between ABS actuator and electric unit (control unit) harness connector and ground.

ABS actuator and electric unit (control unit)		—	Continuity
Connector	Terminal		
E41	1	Ground	Existed
	4		

Is the inspection result normal?

YES >> Replace ABS actuator and electric unit (control unit).

NO >> Repair or replace error-detected parts.

Special Repair Requirement

INFOID:000000008286316

1. ADJUSTMENT OF STEERING ANGLE SENSOR NEUTRAL POSITION

Always perform the neutral position adjustment for the steering angle sensor, when replacing the ABS actuator and electric unit (control unit). Refer to [BRC-9. "ADJUSTMENT OF STEERING ANGLE SENSOR NEUTRAL POSITION : Description"](#).

>> END

A
B
C
D
E
BRC
G
H
I
J
K
L
M
N
O
P

C1121, C1123, C1125, C1127 OUT ABS SOL

< DTC/CIRCUIT DIAGNOSIS >

[VDC/TCS/ABS]

C1121, C1123, C1125, C1127 OUT ABS SOL

Description

INFOID:000000008286317

The solenoid valve increases, holds or decreases the fluid pressure of each brake caliper according to the signals transmitted by the ABS actuator and electric unit (control unit).

DTC Logic

INFOID:000000008286318

DTC DETECTION LOGIC

DTC	Display item	Malfunction detected condition	Possible cause
C1121	FR LH OUT ABS SOL	When the control unit detects a malfunction in the front LH outlet solenoid circuit.	ABS actuator and electric unit (control unit)
C1123	FR RH OUT ABS SOL	When the control unit detects a malfunction in the front RH outlet solenoid circuit.	
C1125	RR LH OUT ABS SOL	When the control unit detects a malfunction in the rear LH outlet solenoid circuit.	
C1127	RR RH OUT ABS SOL	When the control unit detects a malfunction in the rear RH outlet solenoid circuit.	

DTC CONFIRMATION PROCEDURE

1. PRECONDITIONING

If "DTC CONFIRMATION PROCEDURE" has been previously conducted, always turn ignition switch OFF and wait at least 10 seconds before conducting the next test.

>> GO TO 2.

2. DTC REPRODUCTION PROCEDURE

1. Turn the ignition switch ON.
2. Perform self-diagnosis for "ABS" with CONSULT.

Is DTC "C1121", "C1123", "C1125" or "C1127" detected?

- YES >> Proceed to diagnosis procedure. Refer to [BRC-62, "Diagnosis Procedure"](#).
NO >> INSPECTION END

Diagnosis Procedure

INFOID:000000008286319

1. CHECK CONNECTOR

1. Turn the ignition switch OFF.
2. Disconnect ABS actuator and electric unit (control unit) connector.
3. Check terminal for deformation, disconnection, looseness, etc.

Is the inspection result normal?

- YES >> GO TO 2.
NO >> Repair or replace error-detected parts.

2. CHECK SOLENOID, VDC SWITCH-OVER VALVE AND ACTUATOR RELAY POWER SUPPLY CIRCUIT

Check the voltage between ABS actuator and electric unit (control unit) harness connector and ground.

ABS actuator and electric unit (control unit)		—	Voltage
Connector	Terminal		
E41	3	Ground	Battery voltage

Is the inspection result normal?

- YES >> GO TO 3.
NO >> Repair or replace error-detected parts.

C1121, C1123, C1125, C1127 OUT ABS SOL

< DTC/CIRCUIT DIAGNOSIS >

[VDC/TCS/ABS]

3. CHECK SOLENOID, VDC SWITCH-OVER VALVE AND ACTUATOR RELAY GROUND CIRCUIT

Check the continuity between ABS actuator and electric unit (control unit) harness connector and ground.

ABS actuator and electric unit (control unit)		—	Continuity
Connector	Terminal		
E41	1	Ground	Existed
	4		

Is the inspection result normal?

YES >> Replace ABS actuator and electric unit (control unit).

NO >> Repair or replace error-detected parts.

Special Repair Requirement

INFOID:000000008286320

1. ADJUSTMENT OF STEERING ANGLE SENSOR NEUTRAL POSITION

Always perform the neutral position adjustment for the steering angle sensor, when replacing the ABS actuator and electric unit (control unit). Refer to [BRC-9. "ADJUSTMENT OF STEERING ANGLE SENSOR NEUTRAL POSITION : Description"](#).

>> END

A
B
C
D
E
BRC
G
H
I
J
K
L
M
N
O
P

C1130 ENGINE SIGNAL

Description

INFOID:000000008286321

ABS actuator and electric unit (control unit) and ECM exchange the engine signal with CAN communication line.

DTC Logic

INFOID:000000008286322

DTC DETECTION LOGIC

DTC	Display item	Malfunction detected condition	Possible cause
C1130	ENGINE SIGNAL 1	Major engine components are malfunctioning.	<ul style="list-style-type: none"> • Harness or connector • ABS actuator and electric unit (control unit) • ECM • CAN communication line

DTC CONFIRMATION PROCEDURE

1. PRECONDITIONING

If "DTC CONFIRMATION PROCEDURE" has been previously conducted, always turn ignition switch OFF and wait at least 10 seconds before conducting the next test.

>> GO TO 2.

2. DTC REPRODUCTION PROCEDURE

1. Turn the ignition switch ON.
2. Perform self-diagnosis for "ABS" with CONSULT.

Is DTC "C1130" detected?

- YES >> Proceed to diagnosis procedure. Refer to [BRC-64, "Diagnosis Procedure"](#).
 NO >> INSPECTION END

Diagnosis Procedure

INFOID:000000008286323

1. ECM SELF-DIAGNOSIS

Perform self-diagnosis for "ENGINE" with CONSULT.

Is any item indicated on the self-diagnosis display?

- YES >> Check the malfunctioning system.
 NO >> GO TO 2.

2. ABS ACTUATOR AND ELECTRIC UNIT (CONTROL UNIT) SELF-DIAGNOSIS

1. Erase self-diagnosis results for "ABS" with CONSULT.
2. Turn the ignition switch OFF.
3. Start the engine. Drive the vehicle for a while.
4. Make sure that malfunction indicator lamp (MIL) turns OFF.
5. Stop the engine. Perform self-diagnosis for "ABS" with CONSULT.

Is any item indicated on the self-diagnosis display?

- YES >> Replace ABS actuator and electric unit (control unit).
 NO >> Check ABS actuator and electric unit (control unit) pin terminals for damage or loose connection with harness connector. If any items are damaged, repair or replace error-detected parts.

Special Repair Requirement

INFOID:000000008286324

1. ADJUSTMENT OF STEERING ANGLE SENSOR NEUTRAL POSITION

Always perform the neutral position adjustment for the steering angle sensor, when replacing the ABS actuator and electric unit (control unit). Refer to [BRC-9, "ADJUSTMENT OF STEERING ANGLE SENSOR NEUTRAL POSITION : Description"](#).

C1130 ENGINE SIGNAL

< DTC/CIRCUIT DIAGNOSIS >

[VDC/TCS/ABS]

>> END

A

B

C

D

E

BRC

G

H

I

J

K

L

M

N

O

P

C1140 ACTUATOR RELAY SYSTEM

< DTC/CIRCUIT DIAGNOSIS >

[VDC/TCS/ABS]

C1140 ACTUATOR RELAY SYSTEM

Description

INFOID:000000008286300

Activates or deactivates each solenoid valve according to the signals transmitted by the ABS actuator and electric unit (control unit).

DTC Logic

INFOID:000000008286301

DTC DETECTION LOGIC

DTC	Display item	Malfunction detected condition	Possible cause
C1140	ACTUATOR RLY	During the actuator relay operating with OFF, when the actuator relay turns ON, or when the control line for the relay is shorted to the ground.	<ul style="list-style-type: none">• Harness or connector• ABS actuator and electric unit (control unit)
		During the actuator relay operating with ON, when the actuator relay turns ON, or when the control line for the relay is open.	

DTC CONFIRMATION PROCEDURE

1. PRECONDITIONING

If "DTC CONFIRMATION PROCEDURE" has been previously conducted, always turn ignition switch OFF and wait at least 10 seconds before conducting the next test.

>> GO TO 2.

2. DTC REPRODUCTION PROCEDURE

1. Turn the ignition switch ON.
2. Perform self-diagnosis for "ABS" with CONSULT.

Is DTC "C1140" detected?

- YES >> Proceed to diagnosis procedure. Refer to [BRC-66. "Diagnosis Procedure"](#).
NO >> INSPECTION END

Diagnosis Procedure

INFOID:000000008286302

1. CHECK CONNECTOR

1. Turn the ignition switch OFF.
2. Disconnect ABS actuator and electric unit (control unit) connector.
3. Check terminal for deformation, disconnection, looseness, etc.

Is the inspection result normal?

- YES >> GO TO 2.
NO >> Repair or replace error-detected parts.

2. CHECK SOLENOID, VDC SWITCH-OVER VALVE AND ACTUATOR RELAY POWER SUPPLY CIRCUIT

Check the voltage between ABS actuator and electric unit (control unit) harness connector and ground.

ABS actuator and electric unit (control unit)		—	Voltage
Connector	Terminal		
E41	3	Ground	Battery voltage

Is the inspection result normal?

- YES >> GO TO 3.
NO >> Repair or replace error-detected parts.

3. CHECK SOLENOID, VDC SWITCH-OVER VALVE AND ACTUATOR RELAY GROUND CIRCUIT

Check the continuity between ABS actuator and electric unit (control unit) harness connector and ground.

C1140 ACTUATOR RELAY SYSTEM

< DTC/CIRCUIT DIAGNOSIS >

[VDC/TCS/ABS]

ABS actuator and electric unit (control unit)		—	Continuity
Connector	Terminal		
E41	1	Ground	Existed
	4		

Is the inspection result normal?

YES >> Replace ABS actuator and electric unit (control unit).

NO >> Repair or replace error-detected parts.

Special Repair Requirement

INFOID:000000008286303

1. ADJUSTMENT OF STEERING ANGLE SENSOR NEUTRAL POSITION

Always perform the neutral position adjustment for the steering angle sensor, when replacing the ABS actuator and electric unit (control unit). Refer to [BRC-9, "ADJUSTMENT OF STEERING ANGLE SENSOR NEUTRAL POSITION : Description"](#).

>> END

BRC

G

H

I

J

K

L

M

N

O

P

C1142 PRESS SENSOR

Description

INFOID:000000008286325

The pressure sensor converts the brake fluid pressure to an electric signal and transmits it to the ABS actuator and electric unit (control unit). [The pressure sensor is integrated in the ABS actuator and electric unit (control unit).]

DTC Logic

INFOID:000000008286326

DTC DETECTION LOGIC

DTC	Display item	Malfunction detected condition	Possible cause
C1142	PRESS SEN CIRCUIT	Pressure sensor signal line is open or shorted, or pressure sensor is malfunctioning.	<ul style="list-style-type: none"> • Harness or connector • Stop lamp switch • ABS actuator and electric unit (control unit)

DTC CONFIRMATION PROCEDURE

1. PRECONDITIONING

If "DTC CONFIRMATION PROCEDURE" has been previously conducted, always turn ignition switch OFF and wait at least 10 seconds before conducting the next test.

>> GO TO 2.

2. DTC REPRODUCTION PROCEDURE

1. Turn the ignition switch ON.
2. Perform self-diagnosis for "ABS" with CONSULT.

Is DTC "C1142" detected?

- YES >> Proceed to diagnosis procedure. Refer to [BRC-68, "Diagnosis Procedure"](#).
 NO >> INSPECTION END

Diagnosis Procedure

INFOID:000000008286327

1. CHECK STOP LAMP SWITCH

Check stop lamp switch system. Refer to [BRC-55, "Diagnosis Procedure"](#).

Is the inspection result normal?

- YES >> GO TO 2.
 NO >> Repair or replace malfunction component.

2. CHECK BRAKE SYSTEM

1. Check brake fluid leakage: Refer to [BR-10, "Inspection"](#).
2. Check front brake piping: Refer to [BR-22, "FRONT : Inspection"](#).
3. Check rear brake piping: Refer to [BR-24, "REAR : Inspection"](#).
4. Check brake pedal: Refer to [BR-19, "Inspection and Adjustment"](#).
5. Check master cylinder: Refer to [BR-28, "Inspection"](#).
6. Check brake booster: Refer to [BR-30, "Inspection and Adjustment"](#).
7. Check front disc brake: Refer to [BR-40, "BRAKE CALIPER ASSEMBLY : Inspection"](#).
8. Check rear disc brake: Refer to [BR-46, "BRAKE CALIPER ASSEMBLY : Inspection"](#).

Is the inspection result normal?

- YES >> GO TO 3.
 NO >> Repair or replace error-detected parts.

3. ABS ACTUATOR AND ELECTRIC UNIT (CONTROL UNIT) SELF-DIAGNOSIS

Perform self-diagnosis for "ABS" with CONSULT.

Is any item indicated on the self-diagnosis display?

- YES >> Replace ABS actuator and electric unit (control unit).

C1142 PRESS SENSOR

< DTC/CIRCUIT DIAGNOSIS >

[VDC/TCS/ABS]

NO >> Check ABS actuator and electric unit (control unit) pin terminals for damage or loose connection with harness connector. If any items are damaged, repair or replace error-detected parts.

A

Special Repair Requirement

INFOID:000000008286328

1. ADJUSTMENT OF STEERING ANGLE SENSOR NEUTRAL POSITION

B

Always perform the neutral position adjustment for the steering angle sensor, when replacing the ABS actuator and electric unit (control unit). Refer to [BRC-9, "ADJUSTMENT OF STEERING ANGLE SENSOR NEUTRAL POSITION : Description"](#).

C

>> END

D

E

BRC

G

H

I

J

K

L

M

N

O

P

C1143 STEERING ANGLE SENSOR

< DTC/CIRCUIT DIAGNOSIS >

[VDC/TCS/ABS]

C1143 STEERING ANGLE SENSOR

Description

INFOID:000000008286329

The steering angle sensor detects the rotation amount, angular velocity and direction of the steering wheel, and transmits the data to the ABS actuator and electric unit (control unit) via CAN communication.

DTC Logic

INFOID:000000008286330

DTC DETECTION LOGIC

DTC	Display item	Malfunction detected condition	Possible cause
C1143	ST ANG SEN CIRCUIT	Steering angle sensor is malfunctioning.	<ul style="list-style-type: none">• Harness or connector• Steering angle sensor• ABS actuator and electric unit (control unit)

DTC CONFIRMATION PROCEDURE

1. PRECONDITIONING

If "DTC CONFIRMATION PROCEDURE" has been previously conducted, always turn ignition switch OFF and wait at least 10 seconds before conducting the next test.

>> GO TO 2.

2. DTC REPRODUCTION PROCEDURE

1. Turn the ignition switch ON.
2. Perform self-diagnosis for "ABS" with CONSULT.

Is DTC "C1143" detected?

- YES >> Proceed to diagnosis procedure. Refer to [BRC-70, "Diagnosis Procedure"](#).
NO >> INSPECTION END

Diagnosis Procedure

INFOID:000000008286331

1. CHECK CONNECTOR

1. Turn the ignition switch OFF.
2. Disconnect ABS actuator and electric unit (control unit) connector.
3. Disconnect steering angle sensor connector.
4. Check terminal for deformation, disconnection, looseness, etc.

Is the inspection result normal?

- YES >> GO TO 2.
NO >> Repair or replace error-detected parts.

2. CHECK STEERING ANGLE SENSOR POWER SUPPLY

1. Check the voltage between steering angle sensor harness connector and ground.

Steering angle sensor		—	Condition	Voltage
Connector	Terminal			
M37	8	Ground	Ignition switch: OFF	Approx. 0 V

2. Turn the ignition switch ON.
CAUTION:
Never start the engine.
3. Check the voltage between steering angle sensor harness connector and ground.

C1143 STEERING ANGLE SENSOR

< DTC/CIRCUIT DIAGNOSIS >

[VDC/TCS/ABS]

Steering angle sensor		—	Condition	Voltage
Connector	Terminal			
M37	8	Ground	Ignition switch: ON	Battery voltage

Is the inspection result normal?

- YES >> GO TO 4.
- NO >> GO TO 3.

3.CHECK STEERING ANGLE SENSOR POWER SUPPLY CIRCUIT

1. Turn the ignition switch OFF.
2. Check 10A fuse (45).
3. Disconnect IPDM E/R harness connector.
4. Check continuity between steering angle sensor harness connector and IPDM E/R harness connector.

Steering angle sensor		IPDM E/R		Continuity
Connector	Terminal	Connector	Terminal	
M37	8	E5	25	Existed

Is the inspection result normal?

- YES >> Perform the trouble diagnosis for ignition power supply circuit. Refer to [PG-44, "Wiring Diagram - IGNITION POWER SUPPLY -"](#).
- NO >> Repair or replace error-detected parts.

4.CHECK STEERING ANGLE SENSOR GROUND

Check continuity between steering angle sensor harness connector and ground.

Steering angle sensor		—	Continuity
Connector	Terminal		
M37	7	Ground	Existed

Is the inspection result normal?

- YES >> GO TO 5.
- NO >> Repair or replace error-detected parts.

5.CHECK DATA LINE

Check "STRG BRANCH LINE CIRCUIT". Refer to [LAN-62, "Diagnosis Procedure"](#).

Is the inspection result normal?

- YES >> Replace ABS actuator and electric unit (control unit).
- NO >> Repair or replace error-detected parts.

Special Repair Requirement

INFOID:000000008286332

1.AJUSTMENT OF STEERING ANGLE SENSOR NEUTRAL POSITION

Always perform the neutral position adjustment for the steering angle sensor, when replacing the steering angle sensor or the ABS actuator and electric unit (control unit). Refer to [BRC-9, "ADJUSTMENT OF STEERING ANGLE SENSOR NEUTRAL POSITION : Description"](#).

>> END

C1144 INCOMPLETE STEERING ANGLE SENSOR ADJUSTMENT

< DTC/CIRCUIT DIAGNOSIS >

[VDC/TCS/ABS]

C1144 INCOMPLETE STEERING ANGLE SENSOR ADJUSTMENT

DTC Logic

INFOID:000000008286333

DTC DETECTION LOGIC

DTC	Display item	Malfunction detected condition	Possible cause
C1144	ST ANG SEN SIGNAL	Neutral position of steering angle sensor is not finished.	<ul style="list-style-type: none">• Harness or connector• Steering angle sensor• ABS actuator and electric unit (control unit)

DTC CONFIRMATION PROCEDURE

1. PRECONDITIONING

If "DTC CONFIRMATION PROCEDURE" has been previously conducted, always turn ignition switch OFF and wait at least 10 seconds before conducting the next test.

>> GO TO 2.

2. DTC REPRODUCTION PROCEDURE

1. Turn the ignition switch ON.
2. Select "ABS", "WORK SUPPORT" and "ST ANGLE SENSOR ADJUSTMENT" in order with CONSULT, and perform adjust the neutral position of steering angle sensor.
3. Perform self-diagnosis for "ABS" with CONSULT.

Is DTC "C1144" detected?

YES >> Proceed to diagnosis procedure. Refer to [BRC-72, "Diagnosis Procedure"](#).

NO >> INSPECTION END

Diagnosis Procedure

INFOID:000000008286334

1. CHECK STEERING ANGLE SENSOR

Check steering angle sensor. Refer to [BRC-70, "Diagnosis Procedure"](#).

Is the inspection result normal?

YES >> Replace ABS actuator and electric unit (control unit).

NO >> Repair or replace error-detected parts.

Special Repair Requirement

INFOID:000000008286335

1. ADJUSTMENT OF STEERING ANGLE SENSOR NEUTRAL POSITION

Always perform the neutral position adjustment for the steering angle sensor, when replacing the steering angle sensor or the ABS actuator and electric unit (control unit). Refer to [BRC-9, "ADJUSTMENT OF STEERING ANGLE SENSOR NEUTRAL POSITION : Description"](#).

>> END

C1145, C1146 YAW RATE/SIDE G SENSOR

< DTC/CIRCUIT DIAGNOSIS >

[VDC/TCS/ABS]

C1145, C1146 YAW RATE/SIDE G SENSOR

Description

INFOID:000000008286336

The yaw rate/side G sensor detects the yaw rate/side G affecting the vehicle, and transmits the data to the ABS actuator and electric unit (control unit) as an analog voltage signal.

DTC Logic

INFOID:000000008286337

DTC DETECTION LOGIC

DTC	Display item	Malfunction detected condition	Possible cause
C1145	YAW RATE SENSOR	Yaw rate sensor is malfunctioning, or the yaw rate sensor signal line is open or shorted.	• Harness or connector • ABS actuator and electric unit (control unit) • Yaw rate/side G sensor
C1146	SIDE G-SEN CIRCUIT	Side G sensor is malfunctioning, or circuit of side G sensor is open or shorted.	

DTC CONFIRMATION PROCEDURE

1. PRECONDITIONING

If "DTC CONFIRMATION PROCEDURE" has been previously conducted, always turn ignition switch OFF and wait at least 10 seconds before conducting the next test.

>> GO TO 2.

2. DTC REPRODUCTION PROCEDURE

1. Turn the ignition switch ON.
2. Perform self-diagnosis for "ABS" with CONSULT.

Is DTC "C1145" or "C1146" detected?

- YES >> Proceed to diagnosis procedure. Refer to [BRC-73. "Diagnosis Procedure"](#).
NO >> INSPECTION END

Diagnosis Procedure

INFOID:000000008286338

CAUTION:

- Sudden turns (such as spin turns, acceleration turns), drifting, etc., when VDC function is off (VDC OFF switch "ON") may cause yaw rate/side G sensor system to indicate a malfunction. However, this is not a malfunction, if normal operation can be resumed after restarting engine. Then erase memory of self-diagnosis.
- If vehicle is on turn-table at entrance to parking garage, or on other moving surface, VDC warning lamp may illuminate and CONSULT self-diagnosis may indicate yaw rate sensor system malfunction. However, in this case there is no malfunction in yaw rate sensor system. Take vehicle off of turn-table or other moving surface, and start the engine. Results will return to normal.

1. CHECK CONNECTOR

1. Turn the ignition switch OFF.
2. Disconnect ABS actuator and electric unit (control unit) connector.
3. Disconnect yaw rate/side G sensor connector.
4. Check terminal for deformation, disconnection, looseness, etc.

Is the inspection result normal?

- YES >> GO TO 2.
NO >> Repair or replace error-detected parts.

2. CHECK YAW RATE/SIDE G SENSOR POWER SUPPLY

1. Check the voltage between yaw rate/side G sensor harness connector and ground.

C1145, C1146 YAW RATE/SIDE G SENSOR

< DTC/CIRCUIT DIAGNOSIS >

[VDC/TCS/ABS]

Yaw rate/side G sensor		—	Condition	Voltage
Connector	Terminal			
M143	4	Ground	Ignition switch: OFF	Approx. 0 V

2. Turn the ignition switch ON.

CAUTION:

Never start the engine.

3. Check the voltage between yaw rate/side G sensor harness connector and ground.

Yaw rate/side G sensor		—	Condition	Voltage
Connector	Terminal			
M143	4	Ground	Ignition switch: ON	Battery voltage

Is the inspection result normal?

YES >> GO TO 4.

NO >> GO TO 3.

3. CHECK YAW RATE/SIDE G SENSOR POWER SUPPLY CIRCUIT

1. Turn the ignition switch OFF.

2. Check 10A fuse (45).

3. Disconnect IPDM E/R harness connector.

4. Check the continuity between ABS actuator and electric unit (control unit) harness connector and IPDM E/R harness connector.

Yaw rate/side G sensor		IPDM E/R		Continuity
Connector	Terminal	Connector	Terminal	
M143	4	E5	25	Existed

Is the inspection result normal?

YES >> Perform the trouble diagnosis for ignition power supply circuit. Refer to [PG-44, "Wiring Diagram - IGNITION POWER SUPPLY -"](#).

NO >> Repair or replace error-detected parts.

4. CHECK YAW RATE/SIDE G SENSOR GROUND

Check the continuity between yaw rate/side G sensor harness connector and ground.

Yaw rate/side G sensor		—	Continuity
Connector	Terminal		
M143	1	Ground	Existed

Is the inspection result normal?

YES >> GO TO 5.

NO >> Repair or replace error-detected parts.

5. CHECK YAW RATE/SIDE G SENSOR HARNESS

Check the continuity between yaw rate/side G sensor harness connector and ABS actuator and electric unit (control unit) harness connector.

ABS actuator and electric unit (control unit)		Yaw rate/side G sensor		Continuity
Connector	Terminal	Connector	Terminal	
E41	25	M143	2	Existed
	45		3	

Is the inspection result normal?

YES >> GO TO 6.

NO >> Repair or replace error-detected parts. Refer to [BRC-127, "Precautions for Harness Repair"](#).

C1145, C1146 YAW RATE/SIDE G SENSOR

< DTC/CIRCUIT DIAGNOSIS >

[VDC/TCS/ABS]

6. REPLACE YAW RATE/SIDE G SENSOR

1. Replace yaw rate/side G sensor.
2. Erase self-diagnosis results for "ABS" with CONSULT.
3. Turn the ignition switch OFF.
4. Turn the ignition switch ON.

CAUTION:

Never start the engine.

5. Perform self-diagnosis for "ABS" with CONSULT.

Is DTC "C1145" or "C1146" detected?

- YES >> Replace ABS actuator and electric unit (control unit).
NO >> INSPECTION END

Special Repair Requirement

INFOID:000000008286339

1. ADJUSTMENT OF STEERING ANGLE SENSOR NEUTRAL POSITION

Always perform the neutral position adjustment for the steering angle sensor, when replacing the ABS actuator and electric unit (control unit). Refer to [BRC-9. "ADJUSTMENT OF STEERING ANGLE SENSOR NEUTRAL POSITION : Description"](#).

>> END

A
B
C
D
E
G
H
I
J
K
L
M
N
O
P

BRC

C1147, C1148, C1149, C1150 USV/HSV LINE

< DTC/CIRCUIT DIAGNOSIS >

[VDC/TCS/ABS]

C1147, C1148, C1149, C1150 USV/HSV LINE

Description

INFOID:000000008286340

USV1, USV2 (CUT VALVE)

The cut valve shuts off the normal brake fluid path from the master cylinder, when VDC/TCS is activated.

HSV1, HSV2 (SUCTION VALVE)

The suction valve supplies the brake fluid from the master cylinder to the pump, when VDC/TCS is activated.

DTC Logic

INFOID:000000008286341

DTC DETECTION LOGIC

DTC	Display item	Malfunction detected condition	Possible cause
C1147	USV LINE[FL-RR]	VDC switch-over solenoid valve (USV1) on the primary side is open circuit or shorted, or the control line is open or shorted to the power supply or the ground.	<ul style="list-style-type: none">• Harness or connector• ABS actuator and electric unit (control unit)
C1148	USV LINE[FR-RL]	VDC switch-over solenoid valve (USV2) on the primary side is open circuit or shorted, or the control line is open or shorted to the power supply or the ground.	
C1149	HSV LINE[FL-RR]	VDC switch-over solenoid valve (HSV1) on the primary side is open circuit or shorted, or the control line is open or shorted to the power supply or the ground.	
C1150	HSV LINE[FR-RL]	VDC switch-over solenoid valve (HSV2) on the primary side is open circuit or shorted, or the control line is open or shorted to the power supply or the ground.	

DTC CONFIRMATION PROCEDURE

1. PRECONDITIONING

If "DTC CONFIRMATION PROCEDURE" has been previously conducted, always turn ignition switch OFF and wait at least 10 seconds before conducting the next test.

>> GO TO 2.

2. DTC REPRODUCTION PROCEDURE

1. Turn the ignition switch ON.
2. Perform self-diagnosis for "ABS" with CONSULT.

Is DTC "C1147", "C1148", "C1149" or "C1150" detected?

YES >> Proceed to diagnosis procedure. Refer to [BRC-76. "Diagnosis Procedure"](#).

NO >> INSPECTION END

Diagnosis Procedure

INFOID:000000008286342

1. CHECK CONNECTOR

1. Turn the ignition switch OFF.
2. Disconnect ABS actuator and electric unit (control unit) connector.
3. Check terminal for deformation, disconnection, looseness, etc.

Is the inspection result normal?

YES >> GO TO 2.

NO >> Repair or replace error-detected parts.

2. CHECK SOLENOID, VDC SWITCH-OVER VALVE AND ACTUATOR RELAY POWER SUPPLY CIRCUIT

Check the voltage between ABS actuator and electric unit (control unit) harness connector and ground.

C1147, C1148, C1149, C1150 USV/HSV LINE

< DTC/CIRCUIT DIAGNOSIS >

[VDC/TCS/ABS]

ABS actuator and electric unit (control unit)		—	Voltage
Connector	Terminal		
E41	3	Ground	Battery voltage

Is the inspection result normal?

YES >> GO TO 3.

NO >> Repair or replace error-detected parts.

3.CHECK SOLENOID, VDC SWITCH-OVER VALVE AND ACTUATOR RELAY GROUND CIRCUIT

Check the continuity between ABS actuator and electric unit (control unit) harness connector and ground.

ABS actuator and electric unit (control unit)		—	Continuity
Connector	Terminal		
E41	1	Ground	Existed
	4		

Is the inspection result normal?

YES >> Replace ABS actuator and electric unit (control unit).

NO >> Repair or replace error-detected parts.

Special Repair Requirement

INFOID:000000008286343

1.ADJUSTMENT OF STEERING ANGLE SENSOR NEUTRAL POSITION

Always perform the neutral position adjustment for the steering angle sensor, when replacing the ABS actuator and electric unit (control unit). Refer to [BRC-9, "ADJUSTMENT OF STEERING ANGLE SENSOR NEUTRAL POSITION : Description"](#).

>> END

A
B
C
D
E
BRC
G
H
I
J
K
L
M
N
O
P

C1154 TRANSMISSION RANGE SWITCH

< DTC/CIRCUIT DIAGNOSIS >

[VDC/TCS/ABS]

C1154 TRANSMISSION RANGE SWITCH

Description

INFOID:000000008286344

The ABS actuator and electric unit (control unit) and TCM exchange signals via the CAN communication line.

DTC Logic

INFOID:000000008286345

DTC DETECTION LOGIC

DTC	Display item	Malfunction detected condition	Possible cause
C1154	PNP POSI SIG	TCM internal malfunction or ABS actuator and electric unit (control unit) internal malfunction.	<ul style="list-style-type: none">• Harness or connector• ABS actuator and electric unit (control unit)• TCM

DTC CONFIRMATION PROCEDURE

1. PRECONDITIONING

If "DTC CONFIRMATION PROCEDURE" has been previously conducted, always turn ignition switch OFF and wait at least 10 seconds before conducting the next test.

>> GO TO 2.

2. DTC REPRODUCTION PROCEDURE

1. Turn the ignition switch ON.
2. Perform self-diagnosis for "ABS" with CONSULT.

Is DTC "C1154" detected?

- YES >> Proceed to diagnosis procedure. Refer to [BRC-78, "Diagnosis Procedure"](#).
NO >> INSPECTION END

Diagnosis Procedure

INFOID:000000008286346

1. CHECK CONNECTOR

1. Turn the ignition switch OFF.
2. Disconnect ABS actuator and electric unit (control unit) connector.
3. Check terminal for deformation, disconnection, looseness, etc.

Is the inspection result normal?

- YES >> GO TO 2.
NO >> Replace or repair damaged parts.

2. CHECK TCM

Perform self-diagnosis for "TRANSMISSION" with CONSULT.

Is the inspection result normal?

- YES >> GO TO 3.
NO >> Repair or replace error-detected parts.

3. CHECK ABS ACTUATOR AND ELECTRIC UNIT (CONTROL UNIT)

Perform self-diagnosis for "ABS" with CONSULT.

Is the inspection result normal?

- YES >> INSPECTION END
NO >> Repair or replace error-detected parts.

Special Repair Requirement

INFOID:000000008286347

1. ADJUSTMENT OF STEERING ANGLE SENSOR NEUTRAL POSITION

C1154 TRANSMISSION RANGE SWITCH

< DTC/CIRCUIT DIAGNOSIS >

[VDC/TCS/ABS]

Always perform the neutral position adjustment for the steering angle sensor, when replacing the ABS actuator and electric unit (control unit). Refer to [BRC-9, "ADJUSTMENT OF STEERING ANGLE SENSOR NEUTRAL POSITION : Description"](#).

>> END

A
B
C
D
E
G
H
I
J
K
L
M
N
O
P

BRC

C1155 BRAKE FLUID LEVEL SWITCH

< DTC/CIRCUIT DIAGNOSIS >

[VDC/TCS/ABS]

C1155 BRAKE FLUID LEVEL SWITCH

Description

INFOID:000000008286348

The brake fluid level switch converts the brake fluid level to an electric signal and transmits it to the ABS actuator and electric unit (control unit).

DTC Logic

INFOID:000000008286349

DTC DETECTION LOGIC

DTC	Display item	Malfunction detected condition	Possible cause
C1155	BR FLUID LEVEL LOW	Brake fluid level is low or communication line between the ABS actuator and electric unit (control unit) and brake fluid level switch is open or shorted.	<ul style="list-style-type: none">• Harness or connector• Brake fluid level switch• Unified meter and A/C amp.

DTC CONFIRMATION PROCEDURE

1. PRECONDITIONING

If "DTC CONFIRMATION PROCEDURE" has been previously conducted, always turn ignition switch OFF and wait at least 10 seconds before conducting the next test.

>> GO TO 2.

2. DTC REPRODUCTION PROCEDURE

1. Turn the ignition switch ON.
2. Perform self-diagnosis for "ABS" with CONSULT.

Is DTC "C1155" detected?

- YES >> Proceed to diagnosis procedure. Refer to [BRC-80, "Diagnosis Procedure"](#).
NO >> INSPECTION END

Diagnosis Procedure

INFOID:000000008286350

1. CHECK BRAKE FLUID LEVEL

1. Turn the ignition switch OFF.
2. Check brake fluid level. Refer to [BR-10, "Inspection"](#).

Is the inspection result normal?

- YES >> GO TO 2.
NO >> Refill brake fluid. Refer to [BR-10, "Refilling"](#).

2. PERFORM SELF-DIAGNOSIS (1)

1. Erase self-diagnosis result for "ABS" with CONSULT.
2. Turn the ignition switch OFF, and wait 10 seconds or more.
3. Turn the ignition switch ON.

CAUTION:

Never start the engine.

4. Perform self-diagnosis for "ABS" with CONSULT.

Is DTC "C1155" detected?

- YES >> INSPECTION END
NO >> GO TO 3.

3. CHECK BRAKE FLUID LEVEL SWITCH

Check brake fluids level switch. Refer to [BRC-82, "Component Inspection"](#).

Is the inspection result normal?

- YES >> GO TO 5.
NO >> Replace reservoir tank. Refer to [BR-25, "Exploded View"](#). GO TO 4.

4. PERFORM SELF-DIAGNOSIS (2)

C1155 BRAKE FLUID LEVEL SWITCH

[VDC/TCS/ABS]

< DTC/CIRCUIT DIAGNOSIS >

1. Erase self-diagnosis result for "ABS" with CONSULT.
2. Turn the ignition switch OFF, and wait 10 seconds or more.
3. Turn the ignition switch ON.

CAUTION:

Never start the engine.

4. Perform self-diagnosis for "ABS" with CONSULT.

Is DTC "C1155" detected?

- YES >> INSPECTION END
NO >> GO TO 5.

5. CHECK CONNECTOR AND TERMINAL

1. Turn the ignition switch OFF.
2. Disconnect brake fluid level switch harness connector.
3. Check brake fluid level switch harness connector for disconnection or looseness.
4. Check brake fluid level switch pin terminals for damage or loose connection with harness connector.
5. Disconnect combination meter harness connector.
6. Check combination meter harness connector for disconnection or looseness.
7. Check combination meter pin terminals for damage or loose connection with harness connector.

Is the inspection result normal?

- YES >> GO TO 7.
NO >> Repair or replace error-detected parts. GO TO 6.

6. PERFORM SELF-DIAGNOSIS (3)

1. Connect brake fluid level switch harness connector.
2. Connect combination meter harness connector.
3. Erase self-diagnosis result for "ABS" with CONSULT.
4. Turn the ignition switch OFF, and wait 10 seconds or more.
5. Turn the ignition switch ON.

CAUTION:

Never start the engine.

6. Perform self-diagnosis for "ABS" with CONSULT.

Is DTC "C1155" detected?

- YES >> INSPECTION END
NO >> GO TO 7.

7. CHECK BRAKE FLUID LEVEL SWITCH HARNESS

1. Turn the ignition switch OFF.
2. Disconnect brake fluid level switch harness connector.
3. Disconnect combination meter harness connector.
4. Disconnect unified meter and A/C amp. harness connector.
5. Check continuity between brake fluid level switch harness connector and combination meter harness connector.

Brake fluid level switch		Combination meter		Continuity
Connector	Terminal	Connector	Terminal	
E47	1	M53	28	Existed

6. Check continuity between brake fluid level switch harness connector and ground.

Brake fluid level switch		—	Continuity
Connector	Terminal		
E47	1	Ground	Not existed

Is the inspection result normal?

- YES >> GO TO 8.
NO >> Repair or replace error-detected parts. GO TO 8.

8. CHECK BRAKE FLUID LEVEL SWITCH GROUND

C1155 BRAKE FLUID LEVEL SWITCH

< DTC/CIRCUIT DIAGNOSIS >

[VDC/TCS/ABS]

Check continuity between brake fluid level switch harness connector and ground.

Brake fluid level switch		—	Continuity
Connector	Terminal		
E47	2	Ground	Existed

Is the inspection result normal?

YES >> GO TO 9.

NO >> Repair or replace error-detected parts. GO TO 9.

9. CHECK COMBINATION METER

Check combination meter. Refer to [MWI-42, "CONSULT Function \(METER/M&A\)"](#).

Is the inspection result normal?

YES >> Replace ABS actuator and electric unit (control unit). Refer to [BRC-132, "Exploded View"](#).

NO >> Repair or replace combination meter. Refer to [MWI-137, "Exploded View"](#).

Component Inspection

INFOID:000000008286351

1. CHECK BRAKE FLUID LEVEL SWITCH

1. Turn the ignition switch OFF.
2. Disconnect brake fluid level switch connector.
3. Check the continuity between brake fluid level switch connector terminals.

Brake fluid level switch	Condition	Continuity
Terminal		
1 – 2	When brake fluid is full in the reservoir tank.	Not existed
	When brake fluid is empty in the reservoir tank.	Existed

Is the inspection result normal?

YES >> INSPECTION END

NO >> Replace reservoir tank. Refer to [BR-25, "Exploded View"](#).

Special Repair Requirement

INFOID:000000008286352

1. ADJUSTMENT OF STEERING ANGLE SENSOR NEUTRAL POSITION

Always perform the neutral position adjustment for the steering angle sensor, when replacing the ABS actuator and electric unit (control unit). Refer to [BRC-9, "ADJUSTMENT OF STEERING ANGLE SENSOR NEUTRAL POSITION : Description"](#).

>> END

C1185 ICC UNIT

Description

INFOID:000000008286353

The ABS actuator and electric unit (control unit) and the ICC sensor integrated unit exchange signals via the CAN communication line.

DTC Logic

INFOID:000000008286354

DTC DETECTION LOGIC

DTC	Display item	Malfunction detected condition	Possible cause
C1185	ACC CONT	ICC sensor integrated unit internal malfunction.	<ul style="list-style-type: none"> • Harness or connector • ICC sensor integrated unit • ABS actuator and electric unit (control unit) • CAN communication line

DTC CONFIRMATION PROCEDURE

1. PRECONDITIONING

If "DTC CONFIRMATION PROCEDURE" has been previously conducted, always turn ignition switch OFF and wait at least 10 seconds before conducting the next test.

>> GO TO 2.

2. DTC REPRODUCTION PROCEDURE

1. Turn the ignition switch ON.
2. Perform self-diagnosis for "ABS" with CONSULT.

Is DTC "C1185" detected?

- YES >> Proceed to diagnosis procedure. Refer to [BRC-83. "Diagnosis Procedure"](#).
- NO >> INSPECTION END

Diagnosis Procedure

INFOID:000000008286355

1. CHECK ICC SENSOR INTEGRATED UNIT CIRCUIT

Perform self-diagnosis for "ICC/ADAS" with CONSULT.

Is any item indicated on the self-diagnosis display?

- YES >> Repair or replace error-detected parts.
- NO >> GO TO 2.

2. CHECK ABS ACTUATOR AND ELECTRIC UNIT (CONTROL UNIT)

Perform self-diagnosis for "ABS" with CONSULT.

Is any item indicated on the self-diagnosis display?

- YES >> Repair or replace error-detected parts.
- NO >> INSPECTION END

Special Repair Requirement

INFOID:000000008286356

1. ADJUSTMENT OF STEERING ANGLE SENSOR NEUTRAL POSITION

Always perform the neutral position adjustment for the steering angle sensor, when replacing the ABS actuator and electric unit (control unit). Refer to [BRC-9. "ADJUSTMENT OF STEERING ANGLE SENSOR NEUTRAL POSITION : Description"](#).

>> END

C1197 VACUUM SENSOR

< DTC/CIRCUIT DIAGNOSIS >

[VDC/TCS/ABS]

C1197 VACUUM SENSOR

Description

INFOID:000000008772737

The vacuum sensor converts the vacuum pressure to an electric signal and transmits it to the ABS actuator and electric unit (control unit).

DTC Logic

INFOID:000000008772738

DTC DETECTION LOGIC

DTC	Display item	Malfunction detected condition	Possible cause
C1197	VACUUM SENSOR	When vacuum sensor becomes blocked.	<ul style="list-style-type: none">• Harness or connector• Vacuum sensor

DTC CONFIRMATION PROCEDURE

1. PRECONDITIONING

If "DTC CONFIRMATION PROCEDURE" has been previously conducted, always turn ignition switch OFF and wait at least 10 seconds before conducting the next test.

>> GO TO 2.

2. DTC REPRODUCTION PROCEDURE

1. Turn the ignition switch ON.
2. Perform self-diagnosis for "ABS" with CONSULT.

Is DTC "C1197" detected?

- YES >> Proceed to diagnosis procedure. Refer to [BRC-84. "Diagnosis Procedure"](#).
NO >> INSPECTION END

Diagnosis Procedure

INFOID:000000008772739

1. CHECK CONNECTOR

1. Turn the ignition switch OFF.
2. Disconnect ABS actuator and electric unit (control unit) harness connector.
3. Disconnect vacuum sensor harness connector.
4. Check terminal for deformation, disconnection, looseness, etc.

Is the inspection result normal?

- YES >> GO TO 2.
NO >> Repair or replace error-detected parts.

2. CHECK VACUUM SENSOR HARNESS

Check the continuity between vacuum sensor harness connector and ABS actuator and electric unit harness connector.

Vacuum sensor		ABS actuator and electric unit (control unit)		Continuity
Connector	Terminal	Connector	Terminal	
E38	1	E41	12	Existed
	2		15	
	3		19	

Is the inspection result normal?

- YES >> Replace brake booster. Refer to [BR-29. "Exploded View"](#).
NO >> Repair or replace error-detected parts.

C1197 VACUUM SENSOR

< DTC/CIRCUIT DIAGNOSIS >

[VDC/TCS/ABS]

Special Repair Requirement

INFOID:000000008772753

1. ADJUSTMENT OF STEERING ANGLE SENSOR NEUTRAL POSITION

Always perform the neutral position adjustment for the steering angle sensor, when replacing the ABS actuator and electric unit (control unit). Refer to [BRC-9. "ADJUSTMENT OF STEERING ANGLE SENSOR NEUTRAL POSITION : Description"](#).

>> END

A
B
C
D
E
F
G
H
I
J
K
L
M
N
O
P

BRC

C1198 VACUUM SENSOR

< DTC/CIRCUIT DIAGNOSIS >

[VDC/TCS/ABS]

C1198 VACUUM SENSOR

Description

INFOID:000000008772741

The vacuum sensor converts the vacuum pressure to an electric signal and transmits it to the ABS actuator and electric unit (control unit).

DTC Logic

INFOID:000000008772742

DTC DETECTION LOGIC

DTC	Display item	Malfunction detected condition	Possible cause
C1198	VACUUM SEN CIR	When the circuit of vacuum sensor is open or short-circuited.	<ul style="list-style-type: none">• Harness or connector• Vacuum sensor

DTC CONFIRMATION PROCEDURE

1. PRECONDITIONING

If "DTC CONFIRMATION PROCEDURE" has been previously conducted, always turn ignition switch OFF and wait at least 10 seconds before conducting the next test.

>> GO TO 2.

2. DTC REPRODUCTION PROCEDURE

1. Turn the ignition switch ON.
2. Perform self-diagnosis for "ABS" with CONSULT.

Is DTC "C1198" detected?

- YES >> Proceed to diagnosis procedure. Refer to [BRC-86. "Diagnosis Procedure"](#).
NO >> INSPECTION END

Diagnosis Procedure

INFOID:000000008772743

1. CHECK CONNECTOR

1. Turn the ignition switch OFF.
2. Disconnect ABS actuator and electric unit (control unit) harness connector.
3. Disconnect vacuum sensor harness connector.
4. Check terminal for deformation, disconnection, looseness, etc.

Is the inspection result normal?

- YES >> GO TO 2.
NO >> Repair or replace error-detected parts.

2. CHECK VACUUM SENSOR HARNESS

Check the continuity between vacuum sensor harness connector and ABS actuator and electric unit harness connector.

Vacuum sensor		ABS actuator and electric unit (control unit)		Continuity
Connector	Terminal	Connector	Terminal	
E38	1	E41	12	Existed
	2		15	
	3		19	

Is the inspection result normal?

- YES >> Replace brake booster. Refer to [BR-29. "Exploded View"](#).
NO >> Repair or replace error-detected parts.

C1198 VACUUM SENSOR

< DTC/CIRCUIT DIAGNOSIS >

[VDC/TCS/ABS]

Special Repair Requirement

INFOID:000000008772754

1. ADJUSTMENT OF STEERING ANGLE SENSOR NEUTRAL POSITION

Always perform the neutral position adjustment for the steering angle sensor, when replacing the ABS actuator and electric unit (control unit). Refer to [BRC-9. "ADJUSTMENT OF STEERING ANGLE SENSOR NEUTRAL POSITION : Description"](#).

>> END

A
B
C
D
E
F
G
H
I
J
K
L
M
N
O
P

BRC

C1199 VACUUM SENSOR

Description

INFOID:000000008772745

The vacuum sensor converts the vacuum pressure to an electric signal and transmits it to the ABS actuator and electric unit (control unit).

DTC Logic

INFOID:000000008772746

DTC DETECTION LOGIC

DTC	Display item	Malfunction detected condition	Possible cause
C1199	BRAKE BOOSTER	When negative pressure of brake booster becomes close to zero while the engine is running.	<ul style="list-style-type: none"> Harness or connector Vacuum sensor Brake booster Vacuum hose

DTC CONFIRMATION PROCEDURE

1. PRECONDITIONING

If "DTC CONFIRMATION PROCEDURE" has been previously conducted, always turn ignition switch OFF and wait at least 10 seconds before conducting the next test.

>> GO TO 2.

2. DTC REPRODUCTION PROCEDURE

1. Turn the ignition switch ON.
2. Perform self-diagnosis for "ABS" with CONSULT.

Is DTC "C1199" detected?

- YES >> Proceed to diagnosis procedure. Refer to [BRC-88, "Diagnosis Procedure"](#).
 NO >> INSPECTION END

Diagnosis Procedure

INFOID:000000008772747

1. CHECK BRAKE BOOSTER

Check brake booster. Refer to [BR-13, "Inspection"](#).

Is the inspection result normal?

- YES >> GO TO 2.
 NO >> Replace brake booster. Refer to [BR-29, "Exploded View"](#).

2. CHECK CONNECTOR

1. Turn the ignition switch OFF.
2. Disconnect ABS actuator and electric unit (control unit) harness connector.
3. Disconnect vacuum sensor harness connector.
4. Check terminal for deformation, disconnection, looseness, etc.

Is the inspection result normal?

- YES >> GO TO 3.
 NO >> Repair or replace error-detected parts.

3. CHECK VACUUM SENSOR HARNESS

Check the continuity between vacuum sensor harness connector and ABS actuator and electric unit harness connector.

C1199 VACUUM SENSOR

< DTC/CIRCUIT DIAGNOSIS >

[VDC/TCS/ABS]

Vacuum sensor		ABS actuator and electric unit (control unit)		Continuity
Connector	Terminal	Connector	Terminal	
E38	1	E41	12	Existed
	2		15	
	3		19	

Is the inspection result normal?

YES >> Replace brake booster. Refer to [BR-29, "Exploded View"](#).

NO >> Repair or replace error-detected parts.

Special Repair Requirement

INFOID:000000008772755

1. ADJUSTMENT OF STEERING ANGLE SENSOR NEUTRAL POSITION

Always perform the neutral position adjustment for the steering angle sensor, when replacing the ABS actuator and electric unit (control unit). Refer to [BRC-9, "ADJUSTMENT OF STEERING ANGLE SENSOR NEUTRAL POSITION : Description"](#).

>> END

A
B
C
D
E
BRC
G
H
I
J
K
L
M
N
O
P

C119A VACUUM SENSOR

< DTC/CIRCUIT DIAGNOSIS >

[VDC/TCS/ABS]

C119A VACUUM SENSOR

Description

INFOID:000000008772749

The vacuum sensor converts the vacuum pressure to an electric signal and transmits it to the ABS actuator and electric unit (control unit).

DTC Logic

INFOID:000000008772750

DTC DETECTION LOGIC

DTC	Display item	Malfunction detected condition	Possible cause
C119A	VACUUM SEN VOLT	When the voltage supplied to vacuum sensor is outside the range of 5 V \pm 0.25 V.	<ul style="list-style-type: none">• Harness or connector• Vacuum sensor• ABS actuator and electric unit (control unit)

DTC CONFIRMATION PROCEDURE

1. PRECONDITIONING

If "DTC CONFIRMATION PROCEDURE" has been previously conducted, always turn ignition switch OFF and wait at least 10 seconds before conducting the next test.

>> GO TO 2.

2. DTC REPRODUCTION PROCEDURE

1. Turn the ignition switch ON.
2. Perform self-diagnosis for "ABS" with CONSULT.

Is DTC "C119A" detected?

- YES >> Proceed to diagnosis procedure. Refer to [BRC-90, "Diagnosis Procedure"](#).
NO >> INSPECTION END

Diagnosis Procedure

INFOID:000000008772751

1. CHECK CONNECTOR

1. Turn the ignition switch OFF.
2. Disconnect ABS actuator and electric unit (control unit) harness connector.
3. Disconnect vacuum sensor harness connector.
4. Check terminal for deformation, disconnection, looseness, etc.

Is the inspection result normal?

- YES >> GO TO 2.
NO >> Repair or replace error-detected parts.

2. CHECK VACUUM SENSOR POWER SUPPLY

1. Connect ABS actuator and electric unit (control unit) harness connector.
2. Turn the ignition switch ON.
CAUTION:
Never start the engine.
3. Check the voltage between ABS actuator and electric unit (control unit) harness connector and ground.

ABS actuator and electric unit (control unit)		—	Voltage
Connector	Terminal		
E41	19	Ground	5 V \pm 0.25 V

Is the inspection result normal?

- YES >> GO TO 3.
NO >> Repair or replace error-detected parts.

C119A VACUUM SENSOR

< DTC/CIRCUIT DIAGNOSIS >

[VDC/TCS/ABS]

3. CHECK VACUUM SENSOR HARNESS

1. Disconnect ABS actuator and electric unit (control unit) harness connector.
2. Check the continuity between vacuum sensor harness connector and ABS actuator and electric unit (control unit) harness connector.

Vacuum sensor		ABS actuator and electric unit (control unit)		Continuity
Connector	Terminal	Connector	Terminal	
E38	3	E41	19	Existed

Is the inspection result normal?

- YES >> Replace ABS actuator and electric unit (control unit).
NO >> Repair or replace error-detected parts.

Special Repair Requirement

INFOID:000000008772756

1. ADJUSTMENT OF STEERING ANGLE SENSOR NEUTRAL POSITION

Always perform the neutral position adjustment for the steering angle sensor, when replacing the ABS actuator and electric unit (control unit). Refer to [BRC-9. "ADJUSTMENT OF STEERING ANGLE SENSOR NEUTRAL POSITION : Description"](#).

>> END

A
B
C
D
E
G
H
I
J
K
L
M
N
O
P

BRC

U1000 CAN COMM CIRCUIT

Description

INFOID:000000008286357

CAN (Controller Area Network) is a serial communication line for real time application. It is an on-vehicle multiplex communication line with high data communication speed and excellent error detection ability. Many electronic control units are equipped onto a vehicle, and each control unit shares information and links with other control units during operation (not independent). In CAN communication, control units are connected with 2 communication lines (CAN-H line, CAN-L line) allowing a high rate of information transmission with less wiring. Each control unit transmits/receives data but selectively reads required data only.

DTC Logic

INFOID:000000008286358

DTC DETECTION LOGIC

DTC	Display item	Malfunction detected condition	Possible cause
U1000	CAN COMM CIRCUIT	When ABS actuator and electric unit (control unit) is not transmitting or receiving CAN communication signal for 2 seconds or more.	<ul style="list-style-type: none"> CAN communication line ABS actuator and electric unit (control unit)

DTC CONFIRMATION PROCEDURE

1. PRECONDITIONING

If "DTC CONFIRMATION PROCEDURE" has been previously conducted, always turn ignition switch OFF and wait at least 10 seconds before conducting the next test.

>> GO TO 2.

2. DTC REPRODUCTION PROCEDURE

1. Turn the ignition switch ON.
2. Perform self-diagnosis for "ABS" with CONSULT.

Is DTC "U1000" detected?

- YES >> Proceed to diagnosis procedure. Refer to [BRC-92, "Diagnosis Procedure"](#).
 NO >> INSPECTION END

Diagnosis Procedure

INFOID:000000008286359

1. PERFORM ABS ACTUATOR AND ELECTRIC UNIT (CONTROL UNIT)

Perform self-diagnosis for "ABS" with CONSULT.

Is DTC "U1000" detected?

- YES >> Proceed to diagnosis procedure. Refer to [LAN-16, "Trouble Diagnosis Flow Chart"](#).
 NO >> INSPECTION END

Special Repair Requirement

INFOID:000000008286360

1. ADJUSTMENT OF STEERING ANGLE SENSOR NEUTRAL POSITION

Always perform the neutral position adjustment for the steering angle sensor, when replacing the ABS actuator and electric unit (control unit). Refer to [BRC-9, "ADJUSTMENT OF STEERING ANGLE SENSOR NEUTRAL POSITION : Description"](#).

>>> END

U1002 SYSTEM COMM (CAN)

Description

INFOID:000000008286361

CAN (Controller Area Network) is a serial communication line for real time application. It is an on-vehicle multiplex communication line with high data communication speed and excellent error detection ability. Many electronic control units are equipped onto a vehicle, and each control unit shares information and links with other control units during operation (not independent). In CAN communication, control units are connected with 2 communication lines (CAN-H line, CAN-L line) allowing a high rate of information transmission with less wiring. Each control unit transmits/receives data but selectively reads required data only.

DTC Logic

INFOID:000000008286362

DTC DETECTION LOGIC

DTC	Display item	Malfunction detected condition	Possible cause
U1002	SYSTEM COMM (CAN)	When ABS actuator and electric unit (control unit) is not transmitting or receiving CAN communication signal for 2 seconds or less.	<ul style="list-style-type: none"> • CAN communication line • ABS actuator and electric unit (control unit)

A
B
C
D
E
BRC

DTC CONFIRMATION PROCEDURE

1. PRECONDITIONING

If "DTC CONFIRMATION PROCEDURE" has been previously conducted, always turn ignition switch OFF and wait at least 10 seconds before conducting the next test.

>> GO TO 2.

2. DTC REPRODUCTION PROCEDURE

1. Turn the ignition switch ON.
2. Perform self-diagnosis for "ABS" with CONSULT.

Is DTC "U1002" detected?

- YES >> Proceed to diagnosis procedure. Refer to [BRC-93, "Diagnosis Procedure"](#).
- NO >> INSPECTION END

Diagnosis Procedure

INFOID:000000008286363

CAUTION:

- **Never apply 7.0 V or more to the measurement terminal.**
- **Use a tester with open terminal voltage of 7.0 V or less.**
- **Turn the ignition switch OFF and disconnect the battery cable from the negative terminal when checking the harness.**

1. CHECK CAN DIAGNOSIS SUPPORT MONITOR

1. Select "ABS" and "CAN Diagnosis Support Monitor" in order with CONSULT.
2. Check malfunction history between each control unit connected to ABS actuator and electric unit (control unit).

Check the result of "PAST"?

All items are "OK">>Check intermittent incident. Refer to [GI-42, "Intermittent Incident"](#).
"TRANSMIT DIAG" is other than "OK">>GO TO 2.

A control unit other than ABS actuator and electric unit (control unit) is anything other than "OK">>GO TO 3.

2. CHECK TRANSMITTING SIDE UNIT

Check the ABS actuator and electric unit (control unit) harness connector terminals No. 14 and 35 for damage or loose connection.

Is the inspection result normal?

- YES >> Erase self-diagnosis results. Then perform self-diagnosis for "ABS" with CONSULT.
- NO >> Recheck terminals for damage or loose connection. Refer to [LAN-6, "Precautions for Harness Repair"](#).

G
H
I
J
K
L
M
N
O
P

< DTC/CIRCUIT DIAGNOSIS >

3.CHECK APPLICABLE CONTROL UNIT

Check terminals of each CAN communication line harness connector for damage or loose connection.

Is the inspection result normal?

YES >> Erase self-diagnosis results. Then perform self-diagnosis for applicable control unit with CONSULT.

NO >> Recheck terminals for damage or loose connection. Refer to [LAN-6, "Precautions for Harness Repair"](#).

Special Repair Requirement

INFOID:000000008286364

1.AJUSTMENT OF STEERING ANGLE SENSOR NEUTRAL POSITION

Always perform the neutral position adjustment for the steering angle sensor, when replacing the ABS actuator and electric unit (control unit). Refer to [BRC-9, "ADJUSTMENT OF STEERING ANGLE SENSOR NEUTRAL POSITION : Description"](#).

>> END

U1100 CAN COMM CIRCUIT (ICC UNIT)

< DTC/CIRCUIT DIAGNOSIS >

[VDC/TCS/ABS]

U1100 CAN COMM CIRCUIT (ICC UNIT)

Description

INFOID:000000008286365

The ABS actuator and electric unit (control unit) and the ICC sensor integrated unit exchange signals via the CAN communication line.

DTC Logic

INFOID:000000008286366

DTC DETECTION LOGIC

DTC	Display item	Malfunction detected condition	Possible cause
U1100	ACC COMM CIRCUIT	When there is a malfunction in the CAN communication circuit or ICC sensor integrated unit.	<ul style="list-style-type: none">CAN communication lineABS actuator and electric unit (control unit)ICC integrated unit

DTC CONFIRMATION PROCEDURE

1. PRECONDITIONING

If "DTC CONFIRMATION PROCEDURE" has been previously conducted, always turn ignition switch OFF and wait at least 10 seconds before conducting the next test.

>> GO TO 2.

2. DTC REPRODUCTION PROCEDURE

- Turn the ignition switch ON.
- Perform self-diagnosis for "ABS" with CONSULT.

Is DTC "U1100" detected?

- YES >> Proceed to diagnosis procedure. Refer to [BRC-95, "Diagnosis Procedure"](#).
NO >> INSPECTION END

Diagnosis Procedure

INFOID:000000008286367

1. CHECK CAN COMMUNICATION LINE

Check CAN communication line. Refer to [BRC-92, "Diagnosis Procedure"](#).

Is the inspection result normal?

- YES >> GO TO 2.
NO >> Repair or replace error-detected parts.

2. CHECK ICC INTEGRATED UNIT

Perform self-diagnosis for "ICC/ADAS" with CONSULT.

Is the inspection result normal?

- YES >> ABS actuator and electric unit (control unit).
NO >> Repair or replace error-detected parts.

Special Repair Requirement

INFOID:000000008286368

1. ADJUSTMENT OF STEERING ANGLE SENSOR NEUTRAL POSITION

Always perform the neutral position adjustment for the steering angle sensor, when replacing the ABS actuator and electric unit (control unit). Refer to [BRC-9, "ADJUSTMENT OF STEERING ANGLE SENSOR NEUTRAL POSITION : Description"](#).

>> END

POWER SUPPLY AND GROUND CIRCUIT

< DTC/CIRCUIT DIAGNOSIS >

[VDC/TCS/ABS]

POWER SUPPLY AND GROUND CIRCUIT

Description

INFOID:000000008286369

Supplies power to ABS actuator and electric unit (control unit).

Diagnosis Procedure

INFOID:000000008286370

1. CHECK ABS ACTUATOR AND ELECTRIC UNIT (CONTROL UNIT) POWER SUPPLY

1. Turn the ignition switch OFF.
2. Disconnect ABS actuator and electric unit (control unit) harness connector.
3. Check the voltage between ABS actuator and electric unit (control unit) harness connector and ground.

ABS actuator and electric unit (control unit)		—	Condition	Voltage
Connector	Terminal			
E41	28	Ground	Ignition switch: OFF	Approx. 0 V

4. Turn the ignition switch ON.

CAUTION:

Never start the engine.

5. Check the voltage between ABS actuator and electric unit (control unit) harness connector and ground.

ABS actuator and electric unit (control unit)		—	Condition	Voltage
Connector	Terminal			
E41	28	Ground	Ignition switch: ON	Battery voltage

Is the inspection result normal?

YES >> GO TO 3.

NO >> GO TO 2.

2. CHECK ABS ACTUATOR AND ELECTRIC UNIT (CONTROL UNIT) POWER SUPPLY CIRCUIT

1. Turn the ignition switch OFF.
2. Check 10A fuse (45).
3. Disconnect IPDM E/R harness connector.
4. Check continuity between ABS actuator and electric unit (control unit) harness connector and IPDM E/R harness connector.

ABS actuator and electric unit (control unit)		IPDM E/R		Continuity
Connector	Terminal	Connector	Terminal	
E41	28	E5	25	Existed

Is the inspection result normal?

YES >> Perform the trouble diagnosis for ignition power supply circuit. Refer to [PG-44. "Wiring Diagram - IGNITION POWER SUPPLY -"](#).

NO >> Repair or replace error-detected parts.

3. CHECK ABS ACTUATOR AND ELECTRIC UNIT (CONTROL UNIT) POWER SUPPLY

1. Turn the ignition switch OFF.
2. Check the voltage between ABS actuator and electric unit (control unit) harness connector and ground.

ABS actuator and electric unit (control unit)		—	Voltage
Connector	Terminal		
E41	2	Ground	Battery voltage
	3		

Is the inspection result normal?

YES >> GO TO 4.

POWER SUPPLY AND GROUND CIRCUIT

< DTC/CIRCUIT DIAGNOSIS >

[VDC/TCS/ABS]

NO >> Perform the trouble diagnosis for power supply circuit.

4.CHECK ABS ACTUATOR AND ELECTRIC UNIT (CONTROL UNIT) GROUND

Check the continuity between ABS actuator and electric unit (control unit) harness connector and ground.

ABS actuator and electric unit (control unit)		—	Continuity
Connector	Terminal		
E41	1	Ground	Existed
	4		

Is the inspection result normal?

YES >> INSPECTION END

NO >> Repair or replace error-detected parts.

A
B
C
D
E
G
H
I
J
K
L
M
N
O
P

BRC

PARKING BRAKE SWITCH

< DTC/CIRCUIT DIAGNOSIS >

[VDC/TCS/ABS]

PARKING BRAKE SWITCH

Component Function Check

INFOID:000000008286371

1.CHECK PARKING BRAKE SWITCH OPERATION

Operate the parking brake pedal. Then check that the brake warning lamp in the combination meter turns ON/OFF correctly.

Condition	Brake warning lamp illumination status
When the parking brake pedal is operation	ON
When the parking brake pedal is not operation.	OFF

Is the inspection result normal?

YES >> INSPECTION END

NO >> Proceed to diagnosis procedure. Refer to [BRC-98, "Diagnosis Procedure"](#).

Diagnosis Procedure

INFOID:000000008286372

1.CHECK PARKING BRAKE SWITCH

Check parking brake switch. Refer to [BRC-98, "Component Inspection"](#).

Is the inspection result normal?

YES >> GO TO 2.

NO >> Replace parking brake switch.

2.CHECK COMBINATION METER

Check if the indication and operation of combination meter are normal. Refer to [MWI-40, "Diagnosis Description"](#).

Is the inspection result normal?

YES >> GO TO 3.

NO >> Repair or replace combination meter.

3.CHECK DATA MONITOR

Select "ABS", "DATA MONITOR" and "PARK BRAKE SW" in order with CONSULT, and perform the parking brake switch inspection.

Condition	PARK BRAKE SW (DATA MONITOR)
Parking brake switch is active	ON
Parking brake switch is inactive	OFF

Is the inspection result normal?

YES >> INSPECTION END

NO >> Check unified meter and A/C amp. Refer to [MWI-42, "CONSULT Function \(METER/M&A\)"](#).

Component Inspection

INFOID:000000008286373

1.CHECK PARKING BRAKE SWITCH

1. Turn the ignition switch OFF.
2. Disconnect parking brake switch connector.
3. Check the continuity between parking brake switch connector and ground.

Parking brake switch		—	Condition	Continuity
Connector	Terminal			
E107	1	Ground	When the parking brake switch is operated.	Existed
			When the parking brake switch is not operated.	Not existed

PARKING BRAKE SWITCH

< DTC/CIRCUIT DIAGNOSIS >

[VDC/TCS/ABS]

Is the inspection result normal?

YES >> INSPECTION END

NO >> Replace parking brake switch.

A

B

C

D

E

BRC

G

H

I

J

K

L

M

N

O

P

VDC OFF SWITCH

< DTC/CIRCUIT DIAGNOSIS >

[VDC/TCS/ABS]

VDC OFF SWITCH

Description

INFOID:000000008286374

VDC OFF switch can deactivate (turn OFF) the VDC/TCS function by pressing the VDC OFF switch.

Component Function Check

INFOID:000000008286375

1. CHECK VDC OFF SWITCH OPERATION

Turn ON/OFF the VDC OFF switch and check that the VDC OFF indicator lamp in the combination meter turns ON/OFF correctly.

Condition	VDC OFF indicator lamp illumination status
Press the VDC OFF switch when VDC OFF indicator lamp is OFF.	ON
Press the VDC OFF switch when VDC OFF indicator lamp is ON.	OFF

Is the inspection result normal?

YES >> INSPECTION END

NO >> Proceed to diagnosis procedure. Refer to [BRC-100, "Diagnosis Procedure"](#).

Diagnosis Procedure

INFOID:000000008286376

1. CHECK VDC OFF SWITCH

Check VDC OFF switch. Refer to [BRC-101, "Component Inspection"](#).

Is the inspection result normal?

YES >> GO TO 2.

NO >> VDC OFF switch is malfunctioning. Replace VDC OFF switch.

2. CHECK VDC OFF SWITCH HARNESS

1. Disconnect ABS actuator and electric unit (control unit) connector.
2. Disconnect VDC OFF switch connector.
3. Check the continuity between VDC OFF switch connector and ABS actuator and electric unit (control unit) connector.

ABS actuator and electric unit (control unit)		VDC OFF switch		Continuity
Connector	Terminal	Connector	Terminal	
E41	31	M19	1	Existed

4. Check the continuity between ABS actuator and electric unit (control unit) harness connector and ground.

ABS actuator and electric unit (control unit)		—	Continuity
Connector	Terminal		
E41	31	Ground	Not existed

5. Check the continuity between VDC OFF switch harness connector and ground.

VDC OFF switch		—	Continuity
Connector	Terminal		
M19	2	Ground	Existed

Is the inspection result normal?

YES >> GO TO 3.

NO >> If the open or short in harness, repair or replace harness.

VDC OFF SWITCH

< DTC/CIRCUIT DIAGNOSIS >

[VDC/TCS/ABS]

3.CHECK COMBINATION METER

1. Connect ABS actuator and electric unit (control unit) connector.
2. Connect VDC OFF switch connector.
3. Check the indication and operation of combination meter are normal. Refer to [MWI-40. "Diagnosis Description"](#).

Is the inspection result normal?

YES >> INSPECTION END

NO >> Repair or replace combination meter.

Component Inspection

INFOID:000000008286377

1.CHECK VDC OFF SWITCH

1. Turn the ignition switch OFF.
2. Disconnect VDC OFF switch connector.
3. Check the continuity between VDC OFF switch connector terminals.

VDC OFF switch	Condition	Continuity
Terminal		
1 - 2	When VDC OFF switch is hold pressed.	Existed
	When releasing VDC OFF switch.	Not existed

Is the inspection result normal?

YES >> INSPECTION END

NO >> Replace VDC OFF switch.

A
B
C
D
E
G
H
I
J
K
L
M
N
O
P

BRC

ABS WARNING LAMP

< DTC/CIRCUIT DIAGNOSIS >

[VDC/TCS/ABS]

ABS WARNING LAMP

Description

INFOID:000000008286378

×: ON –: OFF

Condition	ABS warning lamp
Ignition switch OFF	–
For 1 second after turning ignition switch ON	×
1 second later after turning ignition switch ON	–
ABS function is malfunctioning.	×
EBD function is malfunctioning.	×

Component Function Check

INFOID:000000008286379

1.CHECK ABS WARNING LAMP OPERATION

Check that the lamp illuminates for approximately 1 second after the ignition switch is turned ON.

Is the inspection result normal?

YES >> INSPECTION END

NO >> Proceed to diagnosis procedure. Refer to [BRC-102. "Diagnosis Procedure"](#).

Diagnosis Procedure

INFOID:000000008286380

1.CHECK SELF-DIAGNOSIS

Perform self-diagnosis for "ABS" with CONSULT.

Is the inspection result normal?

YES >> GO TO 2.

NO >> Check items displayed by self-diagnosis.

2.CHECK COMBINATION METER

Check if the indication and operation of combination meter are normal. Refer to [MWI-40. "Diagnosis Description"](#).

Is the inspection result normal?

YES >> Replace ABS actuator and electric unit (control unit).

NO >> Repair or replace combination meter.

BRAKE WARNING LAMP

Description

INFOID:000000008286381

×: ON –: OFF

Condition	Brake warning lamp (Note 1)
Ignition switch OFF	–
For 1 second after turning ignition switch ON	× (Note 2)
1 second later after turning ignition switch ON	× (Note 2)
EBD function is malfunctioning.	×

NOTE:

- 1: Brake warning lamp will turn on in case of parking brake operation (when switch is ON) or of brake fluid level switch operation (when brake fluid is insufficient).
- 2: After starting the engine, brake warning lamp is turned off.

Component Function Check

INFOID:000000008286382



1. BRAKE WARNING LAMP OPERATION CHECK 1

Check that the lamp illuminates for approximately 1 second after the ignition switch is turned ON.

Is the inspection result normal?

YES >> GO TO 2.

NO >> Proceed to diagnosis procedure. Refer to [BRC-103, "Diagnosis Procedure"](#).

2. BRAKE WARNING LAMP OPERATION CHECK 2

Check that the brake warning lamp in the combination meter turns ON/OFF correctly when operating the parking brake pedal.

Is the inspection result normal?

YES >> INSPECTION END

NO >> Check parking brake switch. Refer to [BRC-98, "Diagnosis Procedure"](#).

Diagnosis Procedure

INFOID:000000008286383

1. CHECK PARKING BRAKE SWITCH

Check that the brake warning lamp in the combination meter turns ON/OFF correctly when operating the parking brake pedal.

Is the inspection result normal?

YES >> GO TO 2.

NO >> Check parking brake switch. Refer to [BRC-98, "Diagnosis Procedure"](#).

2. CHECK SELF-DIAGNOSIS

Perform self-diagnosis for "ABS" with CONSULT.

Is the inspection result normal?

YES >> GO TO 3.

NO >> Check items displayed by self-diagnosis.

3. CHECK COMBINATION METER

Check if the indication and operation of combination meter are normal. Refer to [MWI-40, "Diagnosis Description"](#).

Is the inspection result normal?

YES >> Replace ABS actuator and electric unit (control unit).

NO >> Repair or replace combination meter.

VDC OFF INDICATOR LAMP

< DTC/CIRCUIT DIAGNOSIS >

[VDC/TCS/ABS]

VDC OFF INDICATOR LAMP

Description

INFOID:000000008286384

×: ON –: OFF

Condition	VDC OFF indicator lamp
Ignition switch OFF	–
For 1 second after turning ignition switch ON	×
1 second later after turning ignition switch ON	–
VDC OFF switch turned ON. (VDC function is OFF.)	×

Component Function Check

INFOID:000000008286385

1.VDC OFF INDICATOR LAMP OPERATION CHECK 1

Check that the lamp illuminates for approximately 1 second after the ignition switch is turned ON.

Is the inspection result normal?

YES >> GO TO 2.

NO >> Proceed to diagnosis procedure. Refer to [BRC-104. "Diagnosis Procedure"](#).

2.VDC OFF INDICATOR LAMP OPERATION CHECK 2

Check that the VDC OFF indicator lamp in the combination meter turns ON/OFF correctly when operating the VDC OFF switch.

Is the inspection result normal?

YES >> INSPECTION END

NO >> Check VDC OFF switch. Refer to [BRC-100. "Diagnosis Procedure"](#).

Diagnosis Procedure

INFOID:000000008286386

1.CHECK VDC OFF SWITCH

Perform the trouble diagnosis for VDC OFF switch. Refer to [BRC-100. "Diagnosis Procedure"](#).

Is the inspection result normal?

YES >> GO TO 2.

NO >> Check VDC OFF switch. Refer to [BRC-100. "Diagnosis Procedure"](#).

2.CHECK SELF-DIAGNOSIS

Perform self-diagnosis for "ABS" with CONSULT.

Is the inspection result normal?

YES >> GO TO 3.

NO >> Check items displayed by self-diagnosis.

3.CHECK COMBINATION METER

Check if the indication and operation of combination meter are normal. Refer to [MWI-40. "Diagnosis Description"](#).

Is the inspection result normal?

YES >> Replace ABS actuator and electric unit (control unit).

NO >> Repair or replace combination meter.

VDC WARNING LAMP

< DTC/CIRCUIT DIAGNOSIS >

[VDC/TCS/ABS]

VDC WARNING LAMP

Description

INFOID:000000008286387

×: ON △: Blink -: OFF

Condition	VDC warning lamp
Ignition switch OFF	-
For 1 second after turning ignition switch ON	×
1 second later after turning ignition switch ON	-
VDC/TCS is activated while driving	△
VDC/TCS function is malfunctioning.	×
ABS function is malfunctioning.	×
EBD function is malfunctioning.	×

Component Function Check

INFOID:000000008286388

1.CHECK VDC WARNING LAMP OPERATION

Check that the lamp illuminates for approximately 1 second after the ignition switch is turned ON.

Is the inspection result normal?

YES >> INSPECTION END

NO >> Proceed to diagnosis procedure. Refer to [BRC-105, "Diagnosis Procedure"](#).

Diagnosis Procedure

INFOID:000000008286389

1.CHECK SELF-DIAGNOSIS

Perform self-diagnosis for "ABS" with CONSULT.

Is the inspection result normal?

YES >> GO TO 2.

NO >> Check items displayed by self-diagnosis.

2.CHECK COMBINATION METER

Check if the indication and operation of combination meter are normal. Refer to [MWI-40, "Diagnosis Description"](#).

Is the inspection result normal?

YES >> Replace ABS actuator and electric unit (control unit).

NO >> Repair or replace combination meter.

A
B
C
D
E
BRC
G
H
I
J
K
L
M
N
O
P

ABS ACTUATOR AND ELECTRIC UNIT (CONTROL UNIT)

< ECU DIAGNOSIS INFORMATION >

[VDC/TCS/ABS]

ECU DIAGNOSIS INFORMATION

ABS ACTUATOR AND ELECTRIC UNIT (CONTROL UNIT)

Reference Value

INFOID:000000008286390

VALUES ON THE DIAGNOSIS TOOL

CAUTION:

The display shows the control unit calculation data, so a normal value might be displayed even in the event the output circuit (harness) is open or short-circuited.

NOTE:

The following table includes information (items) inapplicable to this vehicle. For information (items) applicable to this vehicle, refer to CONSULT display items.

Monitor item	Display content	Data monitor	
		Condition	Reference value in normal operation
FR LH SENSOR	Wheel speed	Vehicle stopped	0 [km/h (MPH)]
		Vehicle running (Note 1)	Nearly matches the speedometer display ($\pm 10\%$ or less)
FR RH SENSOR	Wheel speed	Vehicle stopped	0 [km/h (MPH)]
		Vehicle running (Note 1)	Nearly matches the speedometer display ($\pm 10\%$ or less)
RR LH SENSOR	Wheel speed	Vehicle stopped	0 [km/h (MPH)]
		Vehicle running (Note 1)	Nearly matches the speedometer display ($\pm 10\%$ or less)
RR RH SENSOR	Wheel speed	Vehicle stopped	0 [km/h (MPH)]
		Vehicle running (Note 1)	Nearly matches the speedometer display ($\pm 10\%$ or less)
STOP LAMP SW	Stop lamp switch signal status	When brake pedal is depressed	On
		When brake pedal is not depressed	Off
BATTERY VOLT	Battery voltage supplied to the ABS actuator and electric unit (control unit)	Ignition switch ON	10 – 16 V
GEAR	Gear position determined by TCM	First gear (1GR)	1
		Second gear (2GR)	2
		Third gear (3GR)	3
		Forth gear (4GR)	4
		Fifth gear (5GR)	5
SLCT LVR POSI	A/T selector lever position	P position	P
		R position	R
		N position	N
		D position	D
YAW RATE SEN	Yaw rate detected by yaw rate/side G sensor	Vehicle stopped	Approx. 0 d/s
		Vehicle turning right	Negative value
		Vehicle turning left	Positive value
ACCEL POS SIG	Throttle actuator opening/closing is displayed (linked with accelerator pedal)	Accelerator pedal not depressed (ignition switch is ON)	0 %
		Depress accelerator pedal (ignition switch is ON)	0 - 100 %

ABS ACTUATOR AND ELECTRIC UNIT (CONTROL UNIT)

< ECU DIAGNOSIS INFORMATION >

[VDC/TCS/ABS]

Monitor item	Display content	Data monitor	
		Condition	Reference value in normal operation
SIDE G-SENSOR	Transverse G detected by side G sensor	Vehicle stopped	Approx. 0 m/s ²
		Vehicle turning right	Negative value
		Vehicle turning left	Positive value
STR ANGLE SIG	Steering angle detected by steering angle sensor	Driving straight	±2.5°
		Turn 90° to right	Approx. +90°
		Turn 90° to left	Approx. -90°
PRESS SENSOR	Brake fluid pressure detected by pressure sensor	With ignition switch turned ON and brake pedal released	Approx. 0 bar
		With ignition switch turned ON and brake pedal depressed	-40 to 300 bar
ENGINE RPM	With engine running	With engine stopped	0 rpm
		Engine running	Almost in accordance with tachometer display
FLUID LEV SW	Brake fluid level switch signal status	When brake fluid level switch ON	On
		When brake fluid level switch OFF	Off
PARK BRAKE SW	Parking brake switch signal status	Parking brake switch is active	On
		Parking brake switch is inactive	Off
FR RH IN SOL	Operation status of each solenoid valve	Actuator (solenoid valve) is active ("ACTIVE TEST" in "ABS" with CONSULT)	On
		When the actuator (solenoid valve) is not active and actuator relay is active (ignition switch ON)	Off
FR RH OUT SOL	Operation status of each solenoid valve	Actuator (solenoid valve) is active ("ACTIVE TEST" in "ABS" with CONSULT)	On
		When the actuator (solenoid valve) is not active and actuator relay is active (ignition switch ON)	Off
FR LH IN SOL	Operation status of each solenoid valve	Actuator (solenoid valve) is active ("ACTIVE TEST" in "ABS" with CONSULT)	On
		When the actuator (solenoid valve) is not active and actuator relay is active (ignition switch ON)	Off
FR LH OUT SOL	Operation status of each solenoid valve	Actuator (solenoid valve) is active ("ACTIVE TEST" in "ABS" with CONSULT)	On
		When the actuator (solenoid valve) is not active and actuator relay is active (ignition switch ON)	Off
RR RH IN SOL	Operation status of each solenoid valve	Actuator (solenoid valve) is active ("ACTIVE TEST" in "ABS" with CONSULT)	On
		When the actuator (solenoid valve) is not active and actuator relay is active (ignition switch ON)	Off
RR RH OUT SOL	Operation status of each solenoid valve	Actuator (solenoid valve) is active ("ACTIVE TEST" in "ABS" with CONSULT)	On
		When the actuator (solenoid valve) is not active and actuator relay is active (ignition switch ON)	Off

A

B

C

D

E

BRC

G

H

I

J

K

L

M

N

O

P

ABS ACTUATOR AND ELECTRIC UNIT (CONTROL UNIT)

< ECU DIAGNOSIS INFORMATION >

[VDC/TCS/ABS]

Monitor item	Display content	Data monitor	
		Condition	Reference value in normal operation
RR LH IN SOL	Operation status of each solenoid valve	Actuator (solenoid valve) is active ("ACTIVE TEST" in "ABS" with CONSULT)	On
		When the actuator (solenoid valve) is not active and actuator relay is active (ignition switch ON)	Off
RR LH OUT SOL	Operation status of each solenoid valve	Actuator (solenoid valve) is active ("ACTIVE TEST" in "ABS" with CONSULT)	On
		When the actuator (solenoid valve) is not active and actuator relay is active (ignition switch ON)	Off
MOTOR RELAY	Motor and motor relay operation	When the motor relay and motor are operating	On
		When the motor relay and motor are not operating	Off
ACTUATOR RLY (Note 2)	Actuator relay operation	When the actuator relay is operating	On
		When the actuator relay is not operating	Off
ABS WARN LAMP	ABS warning lamp (Note 3)	When ABS warning lamp is ON	On
		When ABS warning lamp is OFF	Off
OFF LAMP	VDC OFF indicator lamp (Note 3)	When VDC OFF indicator lamp is ON	On
		When VDC OFF indicator lamp is OFF	Off
SLIP/VDC LAMP	VDC warning lamp (Note 3)	When VDC warning lamp is ON	On
		When VDC warning lamp is OFF	Off
EBD SIGNAL	EBD operation	EBD is active	On
		EBD is inactive	Off
ABS SIGNAL	ABS operation	ABS is active	On
		ABS is inactive	Off
TCS SIGNAL	TCS operation	TCS is active	On
		TCS is inactive	Off
VDC SIGNAL	VDC operation	VDC is active	On
		VDC is inactive	Off
EBD FAIL SIG	EBD fail-safe signal	In EBD fail-safe	On
		EBD is normal	Off
ABS FAIL SIG	ABS fail-safe signal	In ABS fail-safe	On
		ABS is normal	Off
TCS FAIL SIG	TCS fail-safe signal	In TCS fail-safe	On
		TCS is normal	Off
VDC FAIL SIG	VDC fail-safe signal	In VDC fail-safe	On
		VDC is normal	Off
CRANKING SIG	Crank operation	Crank is active	On
		Crank is inactive	Off
USV [FL-RR] (Note 2)	VDC switch-over valve	When actuator (switch-over valve) is active ("ACTIVE TEST" in "ABS" with CONSULT)	On
		When actuator (switch-over valve) is not active and actuator relay is active (ignition switch ON)	Off

ABS ACTUATOR AND ELECTRIC UNIT (CONTROL UNIT)

< ECU DIAGNOSIS INFORMATION >

[VDC/TCS/ABS]

Monitor item	Display content	Data monitor		
		Condition	Reference value in normal operation	
USV [FR-RL] (Note 2)	VDC switch-over valve	When actuator (switch-over valve) is active ("ACTIVE TEST" in "ABS" with CONSULT)	On	A
		When actuator (switch-over valve) is not active and actuator relay is active (ignition switch ON)	Off	B
HSV [FL-RR] (Note 2)	VDC switch-over valve	When actuator (switch-over valve) is active ("ACTIVE TEST" in "ABS" with CONSULT)	On	C
		When actuator (switch-over valve) is not active and actuator relay is active (ignition switch ON)	Off	D
HSV [FR-RL] (Note 2)	VDC switch-over valve	When actuator (switch-over valve) is active ("ACTIVE TEST" in "ABS" with CONSULT)	On	E
		When actuator (switch-over valve) is not active and actuator relay is active (ignition switch ON)	Off	BRC
V/R OUTPUT (Note 2)	Solenoid valve relay activated	When the solenoid valve relay is active (When ignition switch OFF)	On	G
		When the solenoid valve relay is not active (in the fail-safe mode)	Off	H
M/R OUTPUT	Actuator motor and motor relay activated	When the actuator motor and motor relay are active ("ACTIVE TEST" in "ABS" with CONSULT)	On	I
		When the actuator motor and motor relay are inactive	Off	J
LDP) APP SEN	Accelerator pedal position sensor status	Accelerator pedal is not depressed (Ignition switch ON)	0 %	K
		Depress accelerator pedal (Ignition switch ON)	0 - 100 %	
LDP) ICC MAIN SW	ICC MAIN switch	ICC MAIN switch is ON	On	L
		ICC MAIN switch is OFF	Off	
LDP) LDP ON SW	Dynamic driver assistance switch	Dynamic driver assistance switch is ON	On	M
		Dynamic driver assistance switch is OFF	Off	
LDP) WIPER SIGNAL	Front wiper operation	Front wiper is OFF	Stop	N
		Front wiper stops at fail-safe operation	PRTCT	
		Front wiper INT is operating	1low	O
		Front wiper LO is operating	Low	
		Front wiper HI is operating	High	
LDP) BRAKE SW	Brake switch signal status	When brake pedal is not depressed	On	P
		When brake pedal is depressed	Off	
LDP) STOP LMP SW	Stop lamp switch signal status	When brake pedal is depressed	On	
		When brake pedal is not depressed	Off	
LDP) LDW SW	Warning systems switch condition	Warning systems switch is ON (Warning systems ON indicator is ON)	On	
		Warning systems switch is OFF (Warning systems ON indicator is OFF)	Off	

ABS ACTUATOR AND ELECTRIC UNIT (CONTROL UNIT)

< ECU DIAGNOSIS INFORMATION >

[VDC/TCS/ABS]

Monitor item	Display content	Data monitor	
		Condition	Reference value in normal operation
LDP) SHIFT POSITION	Shift position	Shift position is not received	Off
		Selector lever position	P/R/N/D
		When using manual mode	MM 1st – MM 5th
LDP) TURN SIGNAL	Turn signal operation	Turn signal is OFF.	Off
		Turn signal lamp RH is blinking	LH
		Turn signal lamp LH is blinking	RH
		Turn signal lamp LH and RH are blinking.	LH&RH
LDP) YAW ORDER (Note 4)	Calculated target yaw moment status	LDP is controlling to right side deviation	Negative value
		LDP is controlling to left side deviation	Positive value
LDP) WARN REQ (Note 4)	Lane departure warning request status	Lane departure warning is operating. (When using LDP)	On
		Lane departure warning is not operating.	Off
LDP) WARN CONTROL (Note 4)	Warning main controller status	When using LDP	On
		When using LDW	Off
LDP) REDY SIGNAL (Note 4)	LDP ready status	LDP control is ready	On
		LDP control is not ready	Off
LDP) STATUS SIGNAL (Note 4)	LDP control status	LDP control is standby	STANDBY
		Lane departure warning is operating (When using LDP)	WARN
		LDP control is stopped	MASK
		LDP control is OFF	Off
LDP) CAMERA LOST (Note 4)	Lane marker detected condition	Both side lane markers are detected	Detect
		Deviate side lane marker is lost	Deviate
		Both side lane markers are lost	Both
LDP) LANE UNCLEAR (Note 4)	Lane marker condition	Lane marker is unclear	On
		Lane marker is clear	Off

NOTE:

- 1: Confirm tire pressure is normal.
- 2: A brief moment of On/Off condition occurs every 20 seconds after ignition switch turned ON. This is not malfunction because it is an operation for checking.
- 3: On and off timing for warning lamp and indicator lamp.
 - ABS warning lamp: Refer to [BRC-102. "Description"](#).
 - Brake warning lamp: Refer to [BRC-103. "Description"](#).
 - VDC OFF indicator lamp: Refer to [BRC-104. "Description"](#).
 - VDC warning lamp: Refer to [BRC-105. "Description"](#).
- 4: The item displayed on "SPECIFIC DATA MONITOR".

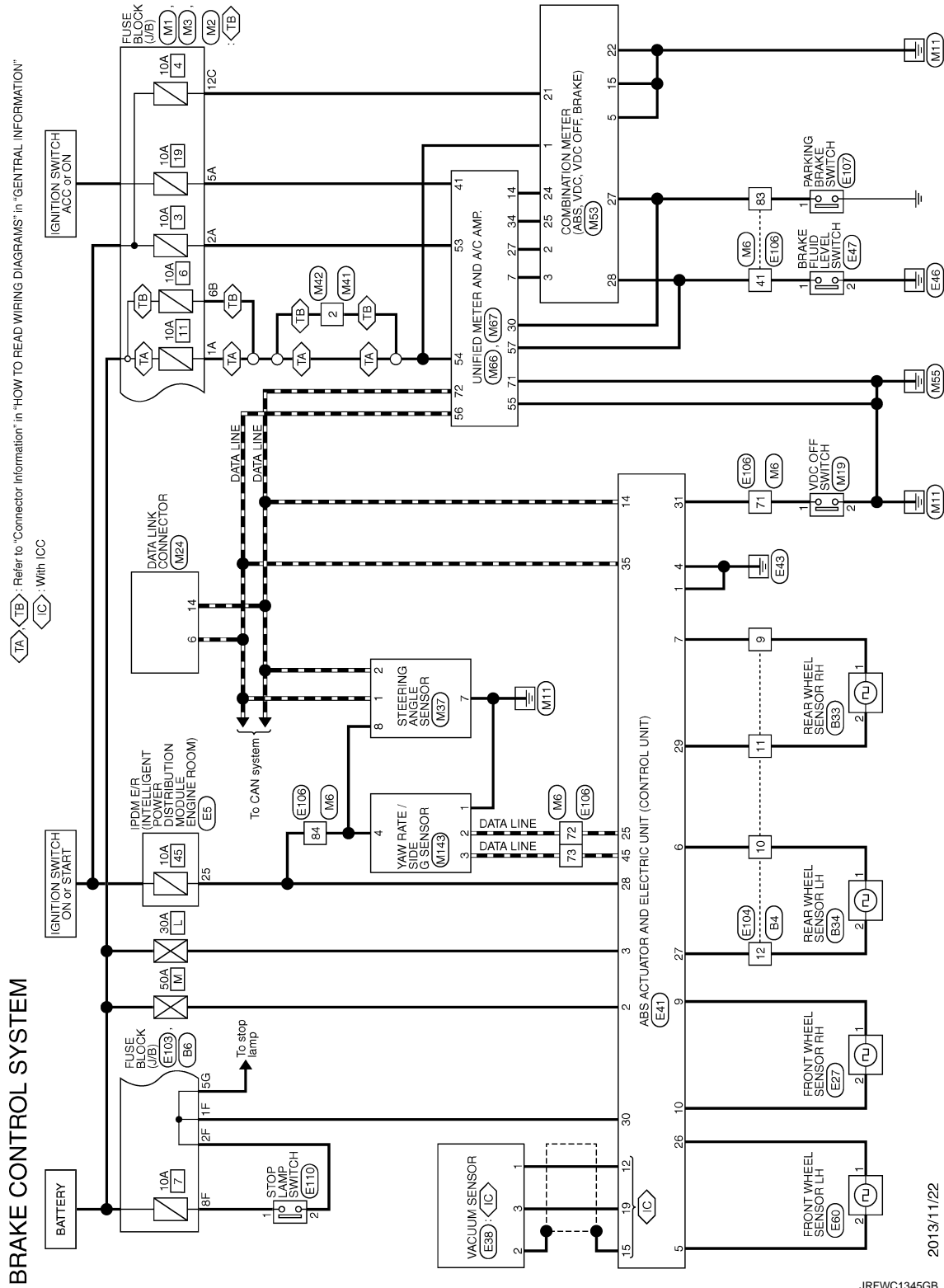
ABS ACTUATOR AND ELECTRIC UNIT (CONTROL UNIT)

< ECU DIAGNOSIS INFORMATION >

[VDC/TCS/ABS]

Wiring Diagram - BRAKE CONTROL SYSTEM -

INFOID:00000000286391



2013/11/22

JRFWC1345GB

A
B
C
D
E
F
G
H
I
J
K
L
M
N
O
P

BRC

ABS ACTUATOR AND ELECTRIC UNIT (CONTROL UNIT)

< ECU DIAGNOSIS INFORMATION >

[VDC/TCS/ABS]

BRAKE CONTROL SYSTEM

Connector No.	B4
Connector Name	WIRE TO WIRE
Connector Type	NS12FW-CS



Terminal No.	Color Of Wire	Signal Name [Specification]
1	W	-
2	B	-
3	G	-
4	SHIELD	-
5	P	-
7	Y	-
8	R	-
9	BR	-
10	BG	-
11	LG	-
12	GR	-

Connector No.	B8
Connector Name	FUSE BLOCK (JIB)
Connector Type	NS12FBR-CS



Terminal No.	Color Of Wire	Signal Name [Specification]
10G	W	-
11G	W	-
12G	GR	-
4G	R	-
5G	LG	-

Connector No.	B33
Connector Name	REAR WHEEL SENSOR RH
Connector Type	AZZ02FB1



Terminal No.	Color Of Wire	Signal Name [Specification]
1	BR	-
2	LG	-

Connector No.	B34
Connector Name	REAR WHEEL SENSOR LH
Connector Type	RH02FB



Terminal No.	Color Of Wire	Signal Name [Specification]
1	BG	-
2	GR	-

Connector No.	E5
Connector Name	FROM INTELLIGENT POWER DISTRIBUTION MODULE (ENGINE ROOM)
Connector Type	TH20FM-CS12-IM4-1V



Terminal No.	Color Of Wire	Signal Name [Specification]
4	V	-
5	L	-
7	R	-
12	BW	-
13	Y	-
16	LG	-
19	W	-
25	G	-
26	R	-
27	BG	-
28	L	-
30	GR	-
36	G	-

Connector No.	E27
Connector Name	FRONT WHEEL SENSOR RH
Connector Type	RH02FB



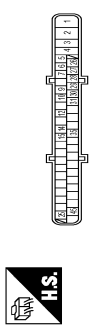
Terminal No.	Color Of Wire	Signal Name [Specification]
1	B	-
2	W	-

Connector No.	E38
Connector Name	VACUUM SENSOR
Connector Type	YE203FDGY



Terminal No.	Color Of Wire	Signal Name [Specification]
1	L	-
2	SHIELD	-
3	P	-

Connector No.	E41
Connector Name	ABS ACTUATOR AND ELECTRIC UNIT (CONTROL UNIT)
Connector Type	BAA42FB-AH24-LH



Terminal No.	Color Of Wire	Signal Name [Specification]
1	B	GROUND
2	G	UBWR
3	R	UBVR
4	B	GROUND
5	Y	DS FL
6	BG	DP RL
7	BR	DP RR
9	B	DP FR
10	W	DS FR
12	L	VAC
14	P	CANL
15	SHIELD	GROUND
19	P	JUST
26	Y	BUSL
26	LG	DP FL
27	GR	DS RL

ABS ACTUATOR AND ELECTRIC UNIT (CONTROL UNIT)

< ECU DIAGNOSIS INFORMATION >

[VDC/TCS/ABS]

BRAKE CONTROL SYSTEM

28	G	LZ
29	LG	DS RR
30	SB	BLS
31	R	VDC OFF SW
35	L	CAN-H
45	B	BUS-H

Connector No.	E47
Connector Name	BRAKE FLUID LEVEL SWITCH
Connector Type	YV02F-GY



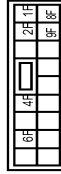
Terminal No.	Wire	Signal Name [Specification]
1	W	-
2	B	-

Connector No.	E60
Connector Name	FRONT WHEEL SENSOR LH
Connector Type	RH02FB



Terminal No.	Wire	Signal Name [Specification]
1	LG	-
2	Y	-

Connector No.	E103
Connector Name	FUSE BLOCK (J18)
Connector Type	NS16FW-CS



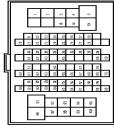
Terminal No.	Wire	Signal Name [Specification]
1F	SB	-
2F	W	-
4F	G	-
6F	BR	-
8F	L	-
9F	R	-

Connector No.	E104
Connector Name	WIRE TO WIRE
Connector Type	NS12MW-CS



Terminal No.	Wire	Signal Name [Specification]
1	W	-
2	BR	-
3	L	-
4	SHIELD	-
5	Y	-
7	Y	-
8	R	-
9	BR	-
10	BG	-
11	LG	-
12	GR	-

Connector No.	E106
Connector Name	WIRE TO WIRE
Connector Type	TH00FW-CS16-TM4



Terminal No.	Wire	Signal Name [Specification]
1	R	-
2	W	-
3	B	-
4	GR	-
5	GR	-
6	Y	-
9	BR	-
10	BG	-
11	SB	-
12	BG	-
13	L	-
14	R	-
15	P	-
16	V	-
17	SB	-
18	V	-
20	BG	-
21	L	-
22	V	-
23	G	-
24	P	-
25	Y	-
26	V	-
27	W	-
28	G	-
31	BG	-
32	W	-
33	B	-
34	R	-
35	G	-
36	SHIELD	-
37	V	-
38	BR	-
39	BG	-
41	W	-
42	G	-

43	BR	-
45	W	-
49	L	-
50	P	-
51	L	-
54	BG	-
57	BR	-
59	W	-
60	LG	-
61	G	-
62	SB	-
63	W	-
64	B	-
65	G	-
66	R	-
67	SHIELD	-
68	Y	-
69	LG	-
70	W	-
71	R	-
72	Y	-
73	B	-
74	BR	- [With ICC]
74	L	- [Without ICC]
75	G	- [With ICC]
75	G	- [Without ICC]
76	W	- [With ICC]
76	W	- [Without ICC]
77	P	- [With ICC]
77	P	- [Without ICC]
78	BR	- [With ICC]
78	L	- [Without ICC]
79	L	- [With ICC]
79	Y	- [Without ICC]
80	SB	- [With ICC]
81	R	-
82	SB	-
83	BG	-
84	G	-
85	L	-
86	P	-
87	V	-
89	GR	-
90	SHIELD	-
91	W	-
92	V	-
93	V	-
94	LG	-
95	BG	-
96	P	-

A
B
C
D
E
BRC
G
H
I
J
K
L
M
N
O
P

ABS ACTUATOR AND ELECTRIC UNIT (CONTROL UNIT)

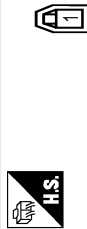
< ECU DIAGNOSIS INFORMATION >

[VDC/TCS/ABS]

BRAKE CONTROL SYSTEM

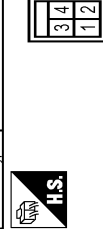
97	R	-
98	SHIELD	-
99	L	-
100	P	-

Connector No.	E107
Connector Name	PARKING BRAKE SWITCH
Connector Type	TB01FW



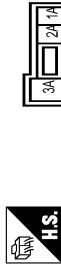
Terminal Color Of No.	Wire	Signal Name [Specification]
1	BG	-

Connector No.	E110
Connector Name	STOP LAMP SWITCH
Connector Type	M04FW-LC



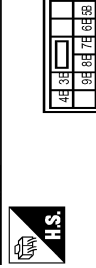
Terminal Color Of No.	Wire	Signal Name [Specification]
1	L	-
2	W	-
3	Y	-
4	SB	-

Connector No.	M1
Connector Name	FUSE BLOCK (J/B)
Connector Type	NS08FW-M2



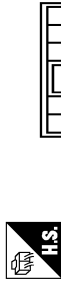
Terminal Color Of No.	Wire	Signal Name [Specification]
1A	GR	-
2A	G	-
3A	L	-
4A	P	- [For push button]
4A	R	- [For key slot]
5A	V	-
6A	Y	-
7A	R	-
8A	L	-

Connector No.	M2
Connector Name	FUSE BLOCK (J/B)
Connector Type	NS10FW-CS



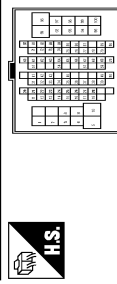
Terminal Color Of No.	Wire	Signal Name [Specification]
3B	P	-
4B	G	-
5B	BG	-
6B	Y	-
7B	P	-
8B	R	-
9B	SB	-

Connector No.	M3
Connector Name	FUSE BLOCK (J/B)
Connector Type	NS12FW-CS



Terminal Color Of No.	Wire	Signal Name [Specification]
10C	L	-
11C	R	-
12C	BG	-
6C	R	-
7C	B	-
9C	BG	-

Connector No.	M6
Connector Name	WIRE TO WIRE
Connector Type	TH80MW-CS16-TM4



Terminal Color Of No.	Wire	Signal Name [Specification]
1	W	-
2	R	-
3	B	-
4	SHIELD	-
5	G	-
8	Y	-
9	BR	-
10	R	-
11	BR	-
12	BG	-
13	L	-
14	R	-
15	P	-
16	V	-

17	SB	-
18	V	-
20	BG	-
21	L	-
22	W	-
23	P	-
24	BR	-
25	Y	-
26	V	-
27	G	-
28	G	-
31	L	-
32	G	-
33	B	-
34	W	-
35	R	-
36	SHIELD	-
37	V	-
38	BG	-
39	BR	-
41	W	-
42	BG	-
43	BG	-
45	W	-
49	L	-
50	P	-
51	BR	-
54	Y	-
57	G	-
59	W	-
60	L	-
61	G	-
62	SB	-
63	G	-
64	B	-
65	W	-
66	R	-
67	SHIELD	-
68	Y	-
69	GR	-
70	LG	-
71	LG	-
72	Y	-
73	SB	-
74	BR	-
74	L	- [With ICC]
74	L	- [Without ICC]
76	G	-
76	GR	- [Without ICC]
76	W	- [With ICC]
77	P	- [Without ICC]

ABS ACTUATOR AND ELECTRIC UNIT (CONTROL UNIT)

< ECU DIAGNOSIS INFORMATION >

[VDC/TCS/ABS]

BRAKE CONTROL SYSTEM

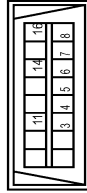
77	R	-	[With ICC]
78	L	-	[With ICC]
78	R	-	[Without ICC]
79	W	-	[Without ICC]
79	Y	-	[With ICC]
80	SB	-	-
81	SB	-	-
82	SB	-	-
83	V	-	-
84	G	-	-
85	L	-	-
86	P	-	-
87	W	-	-
89	GR	-	-
90	SHIELD	-	-
91	W	-	-
92	Y	-	-
93	ER	-	-
94	P	-	-
95	GR	-	-
96	W	-	-
97	L	-	-
98	SHIELD	-	-
99	V	-	-
100	SB	-	-

Connector No.	M19
Connector Name	VDC OFF SWITCH
Connector Type	TK08FGY



Terminal No.	Color	Wire	Signal Name [Specification]
1	LG	B	-
2	B	R	-
3	R	-	-
4	W	-	-

Connector No.	M24
Connector Name	DATA LINK CONNECTOR
Connector Type	BD16FV



Terminal No.	Color	Wire	Signal Name [Specification]
3	LG	B	-
4	B	R	-
5	B	R	-
6	L	-	-
7	V	-	-
8	G	-	-
11	SB	-	-
14	P	-	-
16	Y	-	-

Connector No.	M37
Connector Name	STEERING ANGLE SENSOR
Connector Type	TH08FV-NH



Terminal No.	Color	Wire	Signal Name [Specification]
1	L	-	CANH
2	P	-	CANL
7	B	-	GROUND
8	G	-	IGN

Connector No.	M41
Connector Name	WIRE TO WIRE
Connector Type	M03MMV-LC



Terminal No.	Color	Wire	Signal Name [Specification]
1	W	-	-
2	Y	-	-
3	R	-	-

Connector No.	M42
Connector Name	WIRE TO WIRE
Connector Type	M03FW-LC



Terminal No.	Color	Wire	Signal Name [Specification]
1	W	-	-
2	Y	-	-
3	R	-	-

Connector No.	M53
Connector Name	COMBINATION METER
Connector Type	TH04FV-NH



Terminal No.	Color	Wire	Signal Name [Specification]
1	GR	-	BATTERY POWER SUPPLY
2	LG	B	COMMUNICATION SIGNAL (METER AMP.)
3	GR	B	COMMUNICATION SIGNAL (AMP-METER)
5	B	-	GROUND
6	B	-	ALTERNATOR SIGNAL
7	BR	-	AIR BAG SIGNAL
10	G	-	SECURITY SIGNAL
15	B	-	GROUND
16	B	-	METER CONTROL SWITCH GROUND
19	B	-	ILL GND
20	R	-	ILL
21	BG	-	IGNITION SIGNAL
22	B	-	GROUND
24	BR	-	COMMUNICATION SIGNAL (LCD-AMP.)
25	Y	-	COMMUNICATION SIGNAL (AMP-I, LCD)
26	R	-	VEHICLE SPEED SIGNAL (8-PULSE)
27	V	-	PARKING BRAKE SWITCH SIGNAL
28	W	-	BRAKE FLUID LEVEL SWITCH SIGNAL
29	SB	-	SEAT BELT BUCKLE SWITCH SIGNAL (DRIVER SIDE)
30	G	-	SEAT BELT BUCKLE SWITCH SIGNAL (PASSENGER SIDE)
31	L	-	WASHER LEVEL SWITCH SIGNAL
33	B	-	ILLUMINATION CONTROL SIGNAL
36	LG	-	SELECT SWITCH SIGNAL
37	SB	-	ENTER SWITCH SIGNAL
38	L	-	TRIP AB RESET SWITCH SIGNAL
39	P	-	ILLUMINATION CONTROL SWITCH SIGNAL (L)
40	BG	-	ILLUMINATION CONTROL SWITCH SIGNAL (L)

A
B
C
D
E
BRC
G
H
I
J
K
L
M
N
O
P

ABS ACTUATOR AND ELECTRIC UNIT (CONTROL UNIT)

< ECU DIAGNOSIS INFORMATION >

[VDC/TCS/ABS]

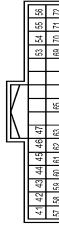
BRAKE CONTROL SYSTEM

Connector No.	M66
Connector Name	UNIFIED METER AND A/C AMP.
Connector Type	TH40FV-NH



Terminal No.	Color Of Wire	Signal Name [Specification]
5	L	MANUAL MODE SHIFT UP SIGNAL
7	GR	COMMUNICATION SIGNAL (AMP. METER)
8	L	VEHICLE SPEED SIGNAL (2-PULSE)
9	SB	SEAT BELT PRESSURE SIGNAL (SEATBELT)
10	W	MANUAL MODE SIGNAL
11	G	NORMAL MODE SIGNAL
14	BR	COMMUNICATION SIGNAL (LCD-AMP)
20	L	IGN ON/OFF SIGNAL
23	Y	AT SNOW SWITCH SIGNAL
25	V	MANUAL MODE SHIFT DOWN SIGNAL
27	LG	COMMUNICATION SIGNAL (METER AMP.)
28	R	VEHICLE SPEED SIGNAL (8-PULSE)
30	V	PARKING BRAKE SWITCH SIGNAL
34	Y	COMMUNICATION SIGNAL (AMP.-LCD)
38	P	BLOWER MOTOR CONTROL SIGNAL

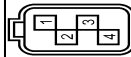
Connector No.	M67
Connector Name	UNIFIED METER AND A/C AMP.
Connector Type	TH40FV-NH



Terminal No.	Color Of Wire	Signal Name [Specification]
41	V	ACC POWER SUPPLY
42	Y	FUEL LEVEL SENSOR SIGNAL
43	R	INTAKE SENSOR SIGNAL
44	LG	IN-VEHICLE SENSOR SIGNAL
45	P	AMBIENT SENSOR SIGNAL

46	BG	SUNLOAD SENSOR SIGNAL
47	G	EXHAUST GAS OXYGEN SENSOR DETECTION SENSOR SIGNAL
53	G	IGNITION POWER SUPPLY
54	Y	BATTERY POWER SUPPLY
55	B	GROUND
56	L	CAN-H
57	W	BRAKE FLUID LEVEL SWITCH SIGNAL
58	BR	FUEL LEVEL SENSOR GROUND
59	GR	INTAKE SENSOR GROUND
60	L	IN-VEHICLE SENSOR GROUND
61	BR	AMBIENT SENSOR GROUND
62	SB	SUNLOAD SENSOR GROUND
63	R	-
65	BG	ECV SIGNAL
69	L	A/C LAMP SIGNAL
70	R	EACH DOOR MOTOR POWER SUPPLY
71	B	GROUND
72	P	CAN-L

Connector No.	M143
Connector Name	YAW RATE / SIDE G SENSOR
Connector Type	AAZ04FB-S



Terminal No.	Color Of Wire	Signal Name [Specification]
1	B	-
2	Y	-
3	SB	-
4	G	-

Fail-Safe

ABS, EBD SYSTEM

If ABS malfunction electrically, ABS warning lamp, VDC warning lamp will turn on. If EBD malfunction electrically, brake warning lamp, ABS warning lamp and VDC warning lamp will turn on. Simultaneously, the VDC/TCS/ABS become one of the following conditions of the fail-safe function.

JRFWC1367GB

INFOID:000000008286392

ABS ACTUATOR AND ELECTRIC UNIT (CONTROL UNIT)

[VDC/TCS/ABS]

< ECU DIAGNOSIS INFORMATION >

- For malfunction of ABS, only the EBD is activated and the condition of vehicle is the same condition of vehicles without TCS/ABS system.

NOTE:

ABS self-diagnosis sound may be heard. That is a normal condition because a self-diagnosis for "Ignition switch ON" and "The first starting" are being performed.

- For malfunction of EBD, EBD and ABS become inoperative, and the condition of vehicle is the same as the condition of vehicles without TCS/ABS, EBD system.

VDC / TCS

If VDC/TCS/ABS system malfunction electrically, VDC warning lamp are turned on, and the condition of vehicle is the same as the condition of vehicles without VDC/TCS control.

CAUTION:

If the Fail-Safe function is activated, then perform self-diagnosis for "ABS" with CONSULT.

LDW/LDP SYSTEM

- In case of malfunction in the LDW/LDP system, lane departure warning lamp is turned ON, and the condition of vehicle is the same as the condition of vehicles without LDW/LDP control.
- In case of malfunction in the VDC/TCS/ABS system, lane departure warning lamp is turned ON, and the condition of vehicle is the same as the condition of vehicles without LDW/LDP control.

DTC No. Index

INFOID:000000008286393

DTC	Items (CONSULT screen terms)	Reference
C1101	RR RH SENSOR-1	BRC-37, "DTC Logic"
C1102	RR LH SENSOR-1	
C1103	FR RH SENSOR-1	
C1104	FR LH SENSOR-1	
C1105	RR RH SENSOR-2	BRC-40, "DTC Logic"
C1106	RR LH SENSOR-2	
C1107	FR RH SENSOR-2	
C1108	FR LH SENSOR-2	
C1109	BATTERY VOLTAGE [ABNORMAL]	BRC-45, "DTC Logic"
C1110	CONTROLLER FAILURE	BRC-47, "DTC Logic"
C1111	PUMP MOTOR	BRC-48, "DTC Logic"
C1115	ABS SENSOR [ABNORMAL SIGNAL]	BRC-50, "DTC Logic"
C1116	STOP LAMP SW	BRC-55, "DTC Logic"
C1120	FR LH IN ABS SOL	BRC-60, "DTC Logic"
C1121	FR LH OUT ABS SOL	BRC-62, "DTC Logic"
C1122	FR RH IN ABS SOL	BRC-60, "DTC Logic"
C1123	FR RH OUT ABS SOL	BRC-62, "DTC Logic"
C1124	RR LH IN ABS SOL	BRC-60, "DTC Logic"
C1125	RR LH OUT ABS SOL	BRC-62, "DTC Logic"
C1126	RR RH IN ABS SOL	BRC-60, "DTC Logic"
C1127	RR RH OUT ABS SOL	BRC-62, "DTC Logic"
C1130	ENGINE SIGNAL 1	BRC-64, "DTC Logic"
C1140	ACTUATOR RLY	BRC-66, "DTC Logic"
C1142	PRESS SEN CIRCUIT	BRC-68, "DTC Logic"
C1143	ST ANG SEN CIRCUIT	BRC-70, "DTC Logic"
C1144	ST ANG SEN SIGNAL	BRC-72, "DTC Logic"
C1145	YAW RATE SENSOR	BRC-73, "DTC Logic"
C1146	SIDE G-SEN CIRCUIT	

ABS ACTUATOR AND ELECTRIC UNIT (CONTROL UNIT)

< ECU DIAGNOSIS INFORMATION >

[VDC/TCS/ABS]

DTC	Items (CONSULT screen terms)	Reference
C1147	USV LINE [FL-RR]	BRC-76, "DTC Logic"
C1148	USV LINE [FR-RL]	
C1149	HSV LINE [FL-RR]	
C1150	HSV LINE [FR-RL]	
C1153	EMERGENCY BRAKE	BRC-47, "DTC Logic"
C1154	PNP POSI SIG	BRC-78, "DTC Logic"
C1155	BR FLUID LEVEL LOW	BRC-80, "DTC Logic"
C1170	VARIANT CORDING	BRC-47, "DTC Logic"
C1185	ACC CONT (Note 1)	BRC-83, "DTC Logic"
C1197	VACUUM SENSOR (Note 1)	BRC-84, "DTC Logic"
C1198	VACUUM SEN CIR (Note 1)	BRC-86, "DTC Logic"
C1199	BRAKE BOOSTER (Note 1)	BRC-88, "DTC Logic"
C119A	VACUUM SEN VOLT (Note 1)	BRC-90, "DTC Logic"
C1B00	LDP) CAMERA MALF (Note 2)	DAS-288, "DTC Logic"
C1B04	LDP) ICC STG SW MALF (Note 2)	DAS-289, "DTC Logic"
C1B05	LDP) APP SEN MALF (Note 2)	DAS-290, "DTC Logic"
C1B06	LDP) TCM MALF (Note 2)	DAS-291, "DTC Logic"
U0100	LDP) ECM CAN CIR2 (Note 2)	DAS-292, "DTC Logic"
U0101	LDP) TCM CAM CAN CIR2 (Note 2)	DAS-293, "DTC Logic"
U0104	LDP) ICC CAM CAN CIR2 (Note 2)	DAS-294, "DTC Logic"
U0405	LDP) ICC CAM CAN CIR1 (Note 2)	DAS-295, "DTC Logic"
U1000	CAN COMM CIRCUIT	BRC-92, "DTC Logic"
U1002	SYSTEM COMM (CAN)	BRC-93, "DTC Logic"
U1100	ACC COMM CIRCUIT (Note 1)	BRC-95, "DTC Logic"
U1500	LDP) CAM CAN CIR1 (Note 2)	DAS-296, "DTC Logic"
U1501	LDP) CAM CAN CIR2 (Note 2)	DAS-297, "DTC Logic"

NOTE:

- 1: With ICC models.
- 2: With LDP models.

EXCESSIVE ABS FUNCTION OPERATION FREQUENCY

< SYMPTOM DIAGNOSIS >

[VDC/TCS/ABS]

SYMPTOM DIAGNOSIS

EXCESSIVE ABS FUNCTION OPERATION FREQUENCY

Diagnosis Procedure

INFOID:000000008286394

1. CHECK START

Check front and rear brake force distribution using a brake tester. Refer to [BR-48. "General Specifications"](#).

Is the inspection result normal?

YES >> GO TO 2.

NO >> Check brake system.

2. CHECK FRONT AND REAR AXLE

Make sure that there is no excessive play in the front and rear axles.

- Front
 - 2WD models: Refer to [FAX-6. "Inspection"](#).
 - AWD models: Refer to [FAX-14. "Inspection"](#).
- Rear: Refer to [RAX-5. "Inspection"](#).

Is the inspection result normal?

YES >> GO TO 3.

NO >> Repair or replace malfunctioning components.

3. CHECK WHEEL SENSOR AND SENSOR ROTOR

Check the following.

- Wheel sensor installation for damage.
- Sensor rotor installation for damage.
- Wheel sensor connector connection.
- Wheel sensor harness inspection.

Is the inspection result normal?

YES >> GO TO 4.

NO >>

- Replace wheel sensor or sensor rotor.
- Repair harness.

4. CHECK ABS WARNING LAMP DISPLAY

Make sure that the ABS warning lamp is turned off after the ignition switch is turned ON or when driving.

Is the ABS warning lamp illuminated?

YES >> Perform self-diagnosis for "ABS" with CONSULT.

NO >> Normal

A
B
C
D
E
G
H
I
J
K
L
M
N
O
P

BRC

UNEXPECTED PEDAL REACTION

< SYMPTOM DIAGNOSIS >

[VDC/TCS/ABS]

UNEXPECTED PEDAL REACTION

Diagnosis Procedure

INFOID:000000008286395

1.CHECK BRAKE PEDAL STROKE

Check brake pedal stroke. Refer to [BR-7, "Inspection and Adjustment"](#).

Is the stroke too large?

- YES >>
- Bleed air from brake tube and hose. Refer to [BR-11, "Bleeding Brake System"](#).
 - Check brake pedal, brake booster, and master cylinder for mount play, looseness, brake system fluid leakage, etc.
 - Brake pedal: Refer to [BR-7, "Inspection and Adjustment"](#).
 - Brake booster: Refer to [BR-13, "Inspection"](#).
 - Master cylinder: Refer to [BR-12, "Inspection"](#).

NO >> GO TO 2.

2.CHECK FUNCTION

Disconnect ABS actuator and electric unit (control unit) connector to deactivate ABS. Check if braking force is normal in this condition. Connect connector after inspection.

Is the inspection result normal?

- YES >> Normal
NO >> Check brake system.

THE BRAKING DISTANCE IS LONG

< SYMPTOM DIAGNOSIS >

[VDC/TCS/ABS]

THE BRAKING DISTANCE IS LONG

Diagnosis Procedure

INFOID:000000008286396

CAUTION:

The stopping distance on slippery road surfaces might be longer when the ABS is operating than when the ABS is not operating.

1.CHECK FUNCTION

Turn ignition switch OFF and disconnect ABS actuator and electric unit (control unit) connector to deactivate ABS. In this condition, check stopping distance. After inspection, connect connector.

Is the inspection result normal?

YES >> Normal

NO >> Check brake system.

A

B

C

D

E

BRC

G

H

I

J

K

L

M

N

O

P

ABS FUNCTION DOES NOT OPERATE

< SYMPTOM DIAGNOSIS >

[VDC/TCS/ABS]

ABS FUNCTION DOES NOT OPERATE

Diagnosis Procedure

INFOID:000000008286397

CAUTION:

ABS does not operate when speed is 10 km/h (6 MPH) or lower.

1.CHECK ABS WARNING LAMP DISPLAY

Make sure that the ABS warning lamp turns OFF after ignition switch is turned ON or when driving.

Is the inspection result normal?

YES >> Normal

NO >> Perform self-diagnosis for "ABS" with CONSULT.

PEDAL VIBRATION OR ABS OPERATION SOUND OCCURS

< SYMPTOM DIAGNOSIS >

[VDC/TCS/ABS]

PEDAL VIBRATION OR ABS OPERATION SOUND OCCURS

Diagnosis Procedure

INFOID:000000008286398

CAUTION:

Under the following conditions, ABS is activated and vibration is felt when brake pedal is lightly depressed (just place a foot on it). However, this is normal.

- When shifting gears
- When driving on slippery road
- During cornering at high speed
- When passing over bumps or grooves [at approximately 50 mm (1.97 in) or more]
- When pulling away just after starting engine [at approximately 10 km/h (6 MPH) or higher]

1. SYMPTOM CHECK 1

Check that there are pedal vibrations when the engine is started.

Do vibrations occur?

YES >> GO TO 2.

NO >> Inspect the brake pedal.

2. SYMPTOM CHECK 2

Check that there are ABS operation noises when the engine is started.

Do the operation noises occur?

YES >> GO TO 3.

NO >> Perform self-diagnosis for "ABS" with CONSULT.

3. SYMPTOM CHECK 3

Check symptoms when electrical component (headlamps, etc.) switches are operated.

Do symptoms occur?

YES >> Check if there is a radio, antenna, antenna lead wire, or wiring close to the control unit. If there is, move it farther away.

NO >> Normal

A
B
C
D
E
BRC
G
H
I
J
K
L
M
N
O
P

VEHICLE JERKS DURING VDC/TCS/ABS CONTROL

< SYMPTOM DIAGNOSIS >

[VDC/TCS/ABS]

VEHICLE JERKS DURING VDC/TCS/ABS CONTROL

Diagnosis Procedure

INFOID:000000008286399

1. SYMPTOM CHECK

Check if the vehicle jerks during VDC/TCS/ABS control.

Is the inspection result normal?

- YES >> Normal.
- NO >> GO TO 2.

2. CHECK SELF-DIAGNOSIS RESULTS

Perform self-diagnosis for "ABS" with CONSULT.

Are self-diagnosis results indicated?

- YES >> Check corresponding items, make repairs, and perform self-diagnosis for "ABS" with CONSULT.
- NO >> GO TO 3.

3. CHECK CONNECTOR

- Turn ignition switch OFF and disconnect ABS actuator and electric unit (control unit) connector and check terminal for deformation, disconnection, looseness, etc.
- Securely connect connectors and perform self-diagnosis for "ABS" with CONSULT.

Are self-diagnosis results indicated?

- YES >> If poor contact, damage, open or short circuit of connector terminal is found, repair or replace.
- NO >> GO TO 4.

4. CHECK ECM AND A/T SELF-DIAGNOSIS RESULTS

Perform self-diagnosis for "ENGINE" and "TRANSMISSION" with CONSULT.

Are self-diagnosis results indicated?

- YES >> Check the corresponding items.
- NO >> Replace ABS actuator and electric unit (control unit).

NORMAL OPERATING CONDITION

< SYMPTOM DIAGNOSIS >

[VDC/TCS/ABS]

NORMAL OPERATING CONDITION

Description

INFOID:000000008286400

Symptom	Result
Slight vibrations are felt on the brake pedal and the operation noises occur, when VDC, TCS or ABS is activated.	This is a normal condition due to the VDC, TCS or ABS activation.
Stopping distance is longer than that of vehicles without ABS when the vehicle drives on rough, gravel, or snow-covered (fresh, deep snow) roads.	
The brake pedal moves and generates noises, when TCS or VDC is activated due to rapid acceleration or sharp turn.	
The brake pedal vibrates and motor operation noises occur from the engine room, after the engine starts and just after the vehicle starts.	This is a normal, and it is caused by the ABS operation check.
Depending on the road conditions, the driver may experience a sluggish feel.	This is normal, because TCS places the highest priority on the optimum traction (stability).
TCS may activate momentarily if wheel speed changes when driving over location where friction coefficient varies, when downshifting, or when fully depressing accelerator pedal.	
The ABS warning lamp and VDC warning lamp may turn ON when the vehicle is subject to strong shaking or large vibration, such as when the vehicle is rotating on a turntable or located on a ship while the engine is running.	In this case, restart the engine on a normal road. If the normal condition is restored, there is no malfunction. At that time, erase the self-diagnosis memory.
VDC may not operate normally or the ABS warning lamp and VDC warning lamp may illuminate, when running on a special road that is extremely slanted (e.g. bank in a circuit course).	
A malfunction may occur in the yaw rate/side G sensor system, when the vehicle turns sharply, such as during a spin turn, axle turn, or drift driving, while the VDC function is off (VDC warning lamp illuminated).	
The vehicle speed will not increase even though the accelerator pedal is depressed, when inspecting the speedometer on a 2-wheel chassis dynamometer.	Normal (Deactivate the VDC/TCS function before performing an inspection on a chassis dynamometer.)
VDC warning lamp may simultaneously turn on when low tire pressure warning lamp turns on.	This is not a VDC system error but results from characteristic change of tire.

A
B
C
D
E
BRC
G
H
I
J
K
L
M
N
O
P

PRECAUTION

PRECAUTIONS

Precaution for Supplemental Restraint System (SRS) "AIR BAG" and "SEAT BELT PRE-TENSIONER"

INFOID:000000008286401

The Supplemental Restraint System such as "AIR BAG" and "SEAT BELT PRE-TENSIONER", used along with a front seat belt, helps to reduce the risk or severity of injury to the driver and front passenger for certain types of collision. This system includes seat belt switch inputs and dual stage front air bag modules. The SRS system uses the seat belt switches to determine the front air bag deployment, and may only deploy one front air bag, depending on the severity of a collision and whether the front occupants are belted or unbelted. Information necessary to service the system safely is included in the "SRS AIR BAG" and "SEAT BELT" of this Service Manual.

WARNING:

Always observe the following items for preventing accidental activation.

- **To avoid rendering the SRS inoperative, which could increase the risk of personal injury or death in the event of a collision that would result in air bag inflation, all maintenance must be performed by an authorized NISSAN/INFINITI dealer.**
- **Improper maintenance, including incorrect removal and installation of the SRS, can lead to personal injury caused by unintentional activation of the system. For removal of Spiral Cable and Air Bag Module, see "SRS AIR BAG".**
- **Never use electrical test equipment on any circuit related to the SRS unless instructed to in this Service Manual. SRS wiring harnesses can be identified by yellow and/or orange harnesses or harness connectors.**

PRECAUTIONS WHEN USING POWER TOOLS (AIR OR ELECTRIC) AND HAMMERS

WARNING:

Always observe the following items for preventing accidental activation.

- **When working near the Air Bag Diagnosis Sensor Unit or other Air Bag System sensors with the ignition ON or engine running, never use air or electric power tools or strike near the sensor(s) with a hammer. Heavy vibration could activate the sensor(s) and deploy the air bag(s), possibly causing serious injury.**
- **When using air or electric power tools or hammers, always switch the ignition OFF, disconnect the battery, and wait at least 3 minutes before performing any service.**

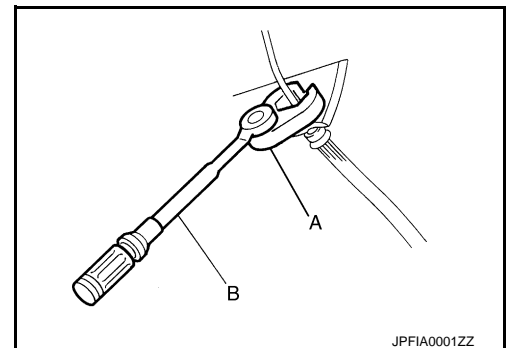
Precaution for Brake System

INFOID:000000008286402

WARNING:

Since dust covering the front and rear brakes has an affect on human body, the dust must be removed with a dust collector. Never splatter the dust with an air blow gun.

- Brake fluid use refer to [MA-10. "Fluids and Lubricants"](#).
- Never reuse drained brake fluid.
- Never spill or splash brake fluid on painted surfaces. Brake fluid may seriously damage paint. Wipe it off immediately and wash with water if it gets on a painted surface.
- Never use mineral oils such as gasoline or light oil. They may damage rubber parts and cause improper operation.
- Always loosen the brake tube flare nut with a flare nut wrench.
- Tighten the brake tube flare nut to the specified torque with a crow-foot (A) and torque wrench (B).
- Always conform the specified tightening torque when installing the brake pipes.
- Brake system is an important safety part. If a brake fluid leak is detected, always disassemble the affected part. If a malfunction is detected, replace part with a new one.
- Turn the ignition switch OFF and disconnect the ABS actuator and electric unit (control unit) connector or the battery negative terminal before performing the work.



PRECAUTIONS

< PRECAUTION >

[VDC/TCS/ABS]

Precaution for Brake Control

INFOID:000000008286403

- When starting engine or when starting vehicle just after starting engine, brake pedal may vibrate or motor operating noise may be heard from engine compartment. This is normal condition.
- When an error is indicated by ABS or another warning lamp, collect all necessary information from customer (what symptoms are present under what conditions) and check for estimate causes before starting diagnostic servicing. Besides electrical system inspection, check brake booster operation, brake fluid level, and oil leaks.
- If tire size and type are used in an improper combination, or brake pads are not Genuine NISSAN parts, stopping distance or steering stability may deteriorate.
- ABS might be out of order or malfunctions by putting a radio (wiring inclusive), an antenna and a lead-in wire near the control unit.
- If aftermarket parts (car stereo, CD player, etc.) have been installed, check for incidents such as harness pinches, open circuits, and improper wiring.
- VDC system may not operate normally or a VDC OFF indicator lamp or VDC warning lamp may light.
- When replacing the following parts with parts other than genuine parts or making modifications: Suspension related parts (shock absorber, spring, bushing, etc.), tires, wheels (other than specified sizes), brake-related parts (pad, rotor, caliper, etc.), engine-related parts (muffler, ECM, etc.) and body reinforcement-related parts (roll bar, tower bar, etc.).
- When driving with worn or deteriorated suspension, tires and brake-related parts.

Precautions for Harness Repair

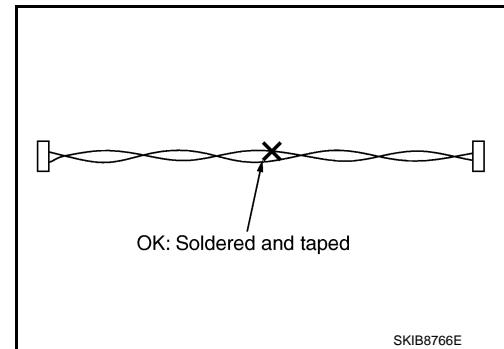
INFOID:000000008286404

COMMUNICATION LINE

- Solder the repaired area and wrap tape around the soldered area.

NOTE:

A fray of twisted lines must be within 110 mm (4.33 in).

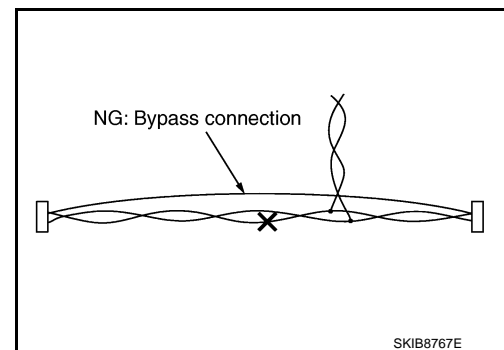


- Bypass connection is never allowed at the repaired area.

NOTE:

Bypass connection may cause communication error as spliced wires that are separate from the main line or twisted lines lose noise immunity.

- Replace the applicable harness as an assembly if error is detected on the shield lines of communication line.



PREPARATION

< PREPARATION >

[VDC/TCS/ABS]

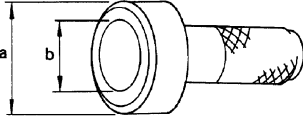
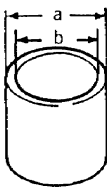
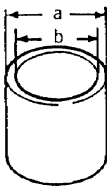
PREPARATION

PREPARATION

Special Service Tool

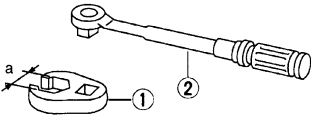
INFOID:000000008286405

The actual shapes of Kent-Moore tools may differ from those of special service tools illustrated here.

Tool number (Kent-Moore No.) Tool name		Description
ST30720000 (J-25405) Drift a: 77 mm (3.03 in) dia. b: 55.5 mm (2.185 in) dia.	 <p style="text-align: center; font-size: small;">ZZA0701D</p>	Installing rear sensor rotor
ST27863000 (—) Drift a: 74.5 mm (2.933 in) dia. b: 62.5 mm (2.461 in) dia.	 <p style="text-align: center; font-size: small;">ZZA0832D</p>	
KV40104710 (—) a: 76.3 mm (3.004 in) dia. b: 67.9 mm (2.673 in) dia.	 <p style="text-align: center; font-size: small;">ZZA0832D</p>	

Commercial Service Tool

INFOID:000000008286406

Tool name		Description
1. Flare nut crowfoot a: 10 mm (0.39 in) / 12 mm (0.47 in) 2. Torque wrench	 <p style="text-align: center; font-size: small;">S-NT360</p>	Installing brake tube

WHEEL SENSOR

< REMOVAL AND INSTALLATION >

[VDC/TCS/ABS]

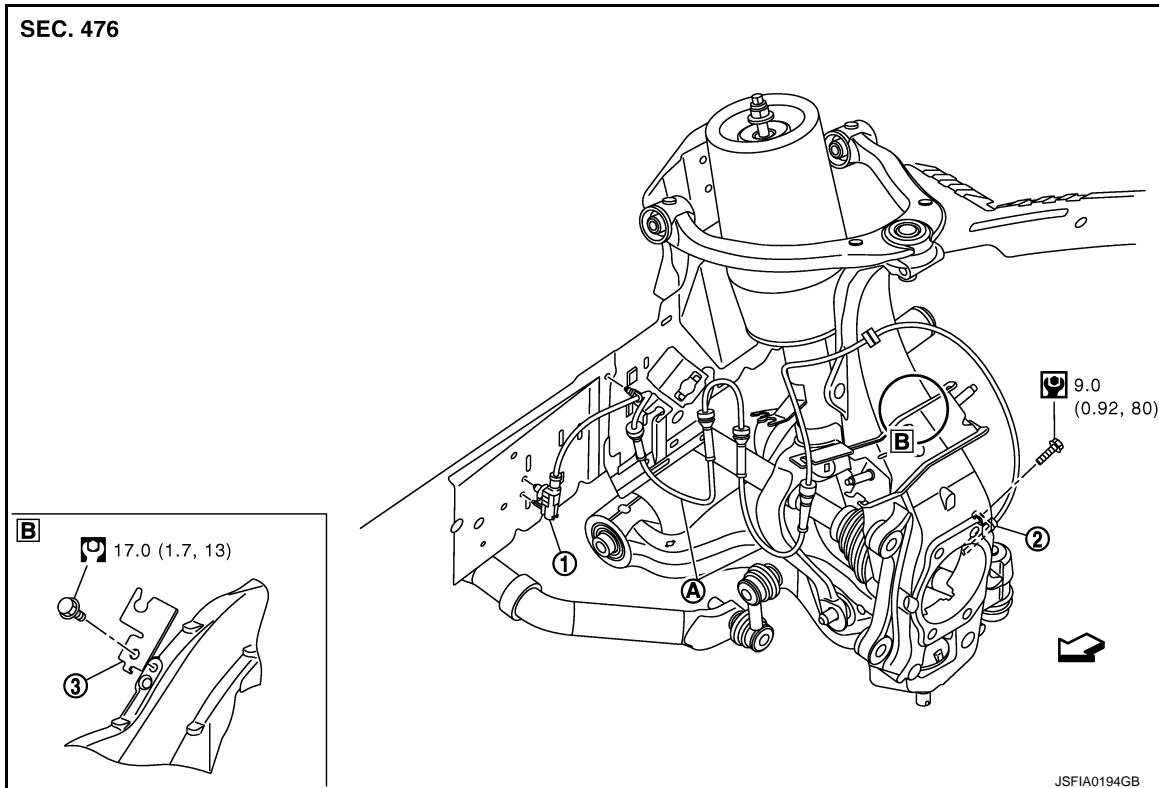
REMOVAL AND INSTALLATION

WHEEL SENSOR

FRONT WHEEL SENSOR

FRONT WHEEL SENSOR : Exploded View

INFOID:000000008286407



1. Front LH wheel sensor connector 2. Front LH wheel sensor 3. Bracket

A. White line (slant line)

←: Vehicle front

Refer to GI section [GI-4. "Components"](#) for symbol marks in the figure.

NOTE:

The above figure shows left side. Right side is the mirror image.

FRONT WHEEL SENSOR : Removal and Installation

INFOID:000000008286408

REMOVAL

Be careful with the following when removing sensor.

- Do not twist sensor harness as much as possible, when removing it. Pull sensors out without pulling sensor harness.
- Be careful to avoid damaging sensor edges or rotor teeth. Remove wheel sensor first before removing front or rear wheel hub. This is to avoid damage to sensor wiring and loss of sensor function.

INSTALLATION

Be careful with the following when installing wheel sensor. Tighten installation bolts to the specified torques. Refer to [BRC-129. "FRONT WHEEL SENSOR : Exploded View"](#).

- When installing, make sure there is no foreign material such as iron chips on and in the mounting hole of the wheel sensor. Make sure no foreign material has been caught in the sensor rotor. Remove any foreign material and clean the mount.
- When installing wheel sensor, be sure to press rubber grommets in until they lock at locations shown above in the figure. When installed, harness must not be twisted.

WHEEL SENSOR

[VDC/TCS/ABS]

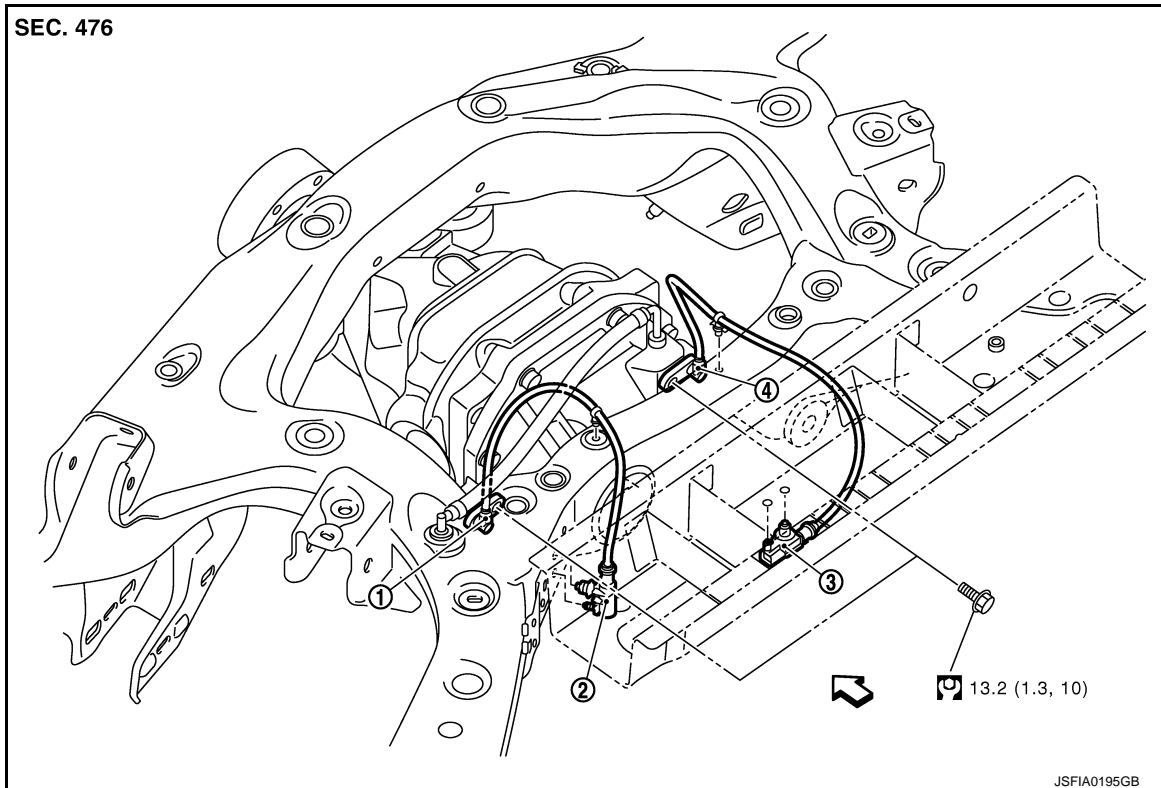
< REMOVAL AND INSTALLATION >

- When you see the harness of the wheel sensor from the front side of the vehicle ensure that the white lines (A) are not twisted.

REAR WHEEL SENSOR

REAR WHEEL SENSOR : Exploded View

INFOID:000000008286409



1. Rear LH wheel sensor
2. Rear LH wheel sensor connector
3. Rear RH wheel sensor connector
4. Rear RH wheel sensor

↔: Vehicle front

Refer to GI section [GI-4. "Components"](#) for symbol marks in the figure.

REAR WHEEL SENSOR : Removal and Installation

INFOID:000000008286410

REMOVAL

Be careful with the following when removing sensor.

- Do not twist sensor harness as much as possible, when removing it. Pull sensors out without pulling sensor harness.
- Be careful to avoid damaging sensor edges or rotor teeth. Remove wheel sensor first before removing front or rear wheel hub. This is to avoid damage to sensor wiring and loss of sensor function.

INSTALLATION

Be careful with the following when installing wheel sensor. Tighten installation bolts to the specified torques. Refer to [BRC-130. "REAR WHEEL SENSOR : Exploded View"](#).

- When installing, make sure there is no foreign material such as iron chips on and in the mounting hole of the wheel sensor. Make sure no foreign material has been caught in the sensor rotor. Remove any foreign material and clean the mount.
- When installing a rear LH wheel sensor, be sure to pass the wheel sensor harness under the breather hose.

SENSOR ROTOR

[VDC/TCS/ABS]

< REMOVAL AND INSTALLATION >

SENSOR ROTOR

FRONT SENSOR ROTOR

FRONT SENSOR ROTOR : Exploded View

INFOID:000000008286411

Refer to [FAX-7, "Exploded View"](#) (2WD models), [FAX-16, "Exploded View"](#) (AWD models).

FRONT SENSOR ROTOR : Removal and Installation

INFOID:000000008286412

REMOVAL

Sensor rotor cannot be disassembled. Remove the sensor rotor together with hub bearing assembly. Refer to [FAX-7, "Exploded View"](#) (2WD models), [FAX-16, "Exploded View"](#) (AWD models).

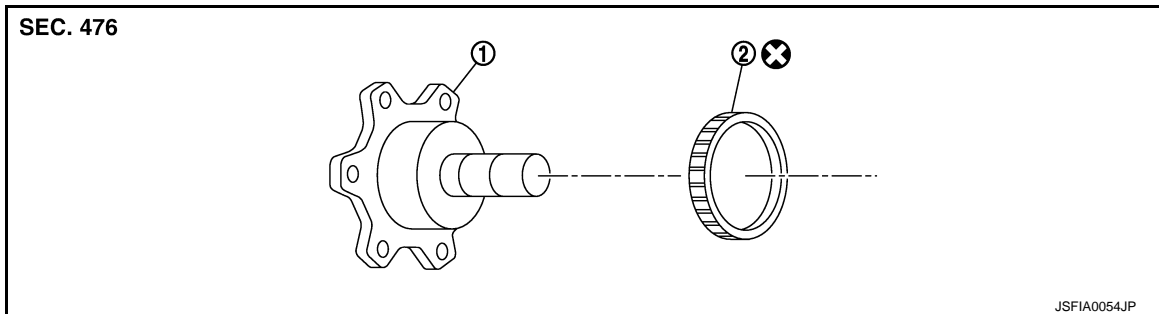
INSTALLATION

Sensor rotor cannot be disassembled. Install the sensor rotor together with hub bearing assembly. Refer to [FAX-7, "Exploded View"](#) (2WD models), [FAX-16, "Exploded View"](#) (AWD models).

REAR SENSOR ROTOR

REAR SENSOR ROTOR : Exploded View

INFOID:000000008286413



1. Side flange
2. Rear wheel sensor rotor

Refer to GI section [GI-4, "Components"](#) for symbol marks in the figure.

REAR SENSOR ROTOR : Removal and Installation

INFOID:000000008286414

REMOVAL

- Follow the procedure below to remove rear sensor rotor.
- Remove side flange. Refer to [DLN-176, "2WD : Exploded View"](#) (2WD), [DLN-188, "AWD : Exploded View"](#) (AWD).
- Using a bearing replacer (suitable tool) and puller (suitable tool), remove sensor rotor from side flange.

INSTALLATION

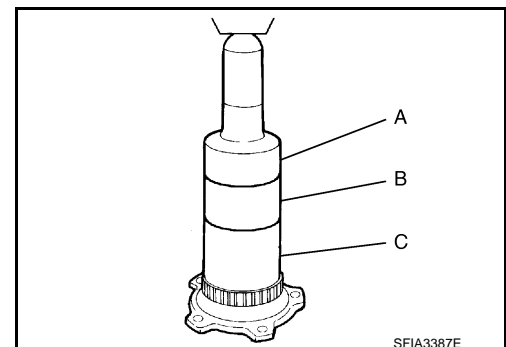
CAUTION:

Do not reuse sensor rotor.

- Follow the procedure below to install rear sensor rotor.
- Using a drifts, press rear sensor rotor onto side flange.

- A: Drift [SST: ST30720000 (J-25405)]
- B: Drift [SST: ST27863000 (—)]
- C: Drift [SST: KV40104710 (—)]

- Install side flange. Refer to [DLN-176, "2WD : Exploded View"](#) (2WD), [DLN-188, "AWD : Exploded View"](#) (AWD).



ABS ACTUATOR AND ELECTRIC UNIT (CONTROL UNIT)

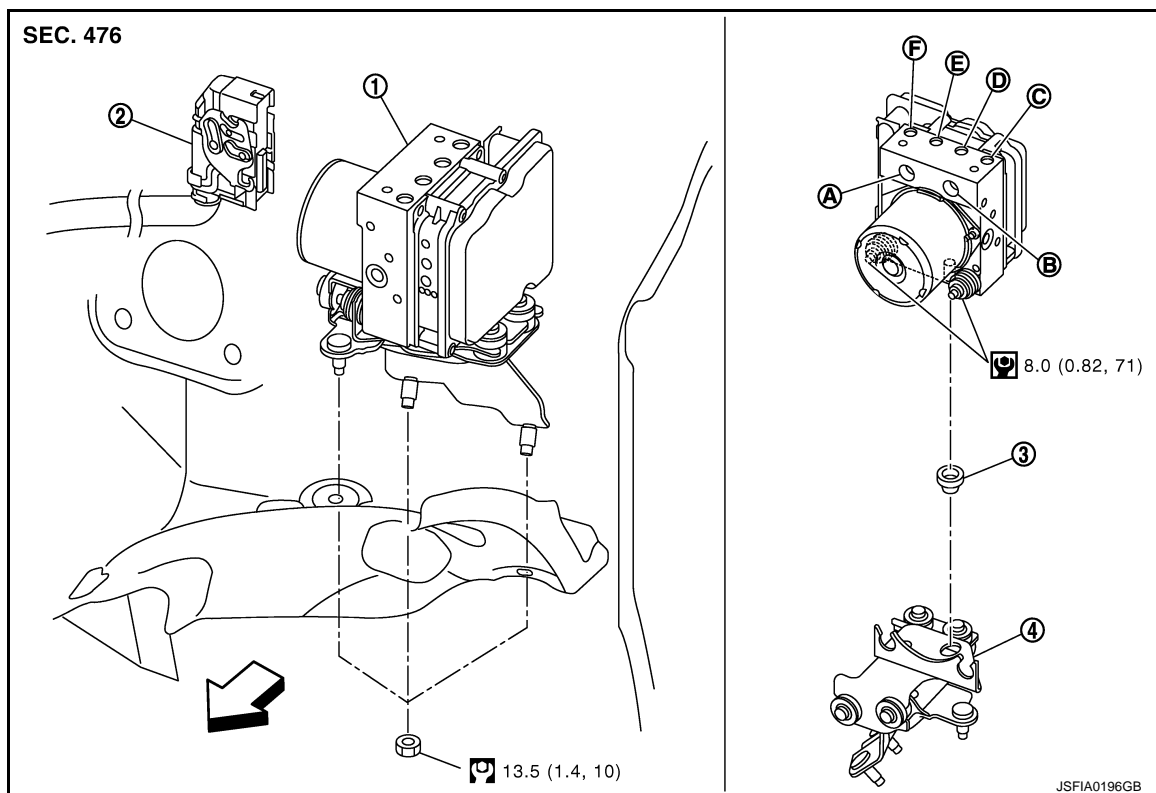
< REMOVAL AND INSTALLATION >

[VDC/TCS/ABS]

ABS ACTUATOR AND ELECTRIC UNIT (CONTROL UNIT)

Exploded View

INFOID:000000008286415



- | | | |
|--|--------------------------------------|------------------------------|
| 1. ABS actuator and electric unit (control unit) | 2. Connector | 3. Bushing |
| 4. Bracket | | |
| A. From master cylinder secondary side | B. From master cylinder primary side | C. To front LH brake caliper |
| D. To rear RH brake caliper | E. To Rear LH brake caliper | F. To front RH brake caliper |

←: Vehicle front

Refer to GI section [GI-4, "Components"](#) for symbol marks in the figure.

Removal and Installation

INFOID:000000008286416

REMOVAL

CAUTION:

- Before servicing, disconnect the battery cable from negative terminal.
- To remove brake tube, use a flare nut wrench to prevent flare nuts and brake tube from being damaged. To install, use flare nut crowfoot and torque wrench.
- Do not apply excessive impact to ABS actuator and electric unit (control unit), such as dropping it.
- Do not remove and install actuator by holding harness.
- After work is completed, bleed air from brake tube. Refer to [BR-11, "Bleeding Brake System"](#).

1. Remove hoodledge cover LH. Refer to [EXT-22, "Exploded View"](#).
2. Disconnect ABS actuator and electric unit (control unit) connector.
3. Loosen brake tube flare nuts, then remove brake tubes from ABS actuator and electric unit (control unit).
4. Remove tire (front LH side).
5. Remove fender protector (rear): (front LH side). Refer to [EXT-25, "FENDER PROTECTOR : Exploded View"](#).
6. Remove ABS actuator and electric unit (control unit) bracket mounting nuts.
7. Remove ABS actuator and electric unit (control unit) from vehicle.

ABS ACTUATOR AND ELECTRIC UNIT (CONTROL UNIT)

< REMOVAL AND INSTALLATION >

[VDC/TCS/ABS]

INSTALLATION

Note the following, and install in the reverse order of removal.

- Before servicing, disconnect the battery cable from negative terminal.
- To remove brake tube, use a flare nut wrench to prevent flare nuts and brake tube from being damaged. To install, use flare nut crowfoot and torque wrench.
- Do not apply excessive impact to ABS actuator and electric unit (control unit), such as dropping it.
- Do not remove and install actuator by holding harness.
- After work is completed, bleed air from brake tube. Refer to [BR-11, "Bleeding Brake System"](#).
- After installing harness connector in the ABS actuator and electric unit (control unit), make sure connector is securely locked.
- When replacing ABS actuator and electric unit (control unit), make sure to adjust neutral position of steering angle sensor. Refer to [BRC-9, "ADJUSTMENT OF STEERING ANGLE SENSOR NEUTRAL POSITION : Description"](#).

A

B

C

D

E

BRC

G

H

I

J

K

L

M

N

O

P

YAW RATE/SIDE G SENSOR

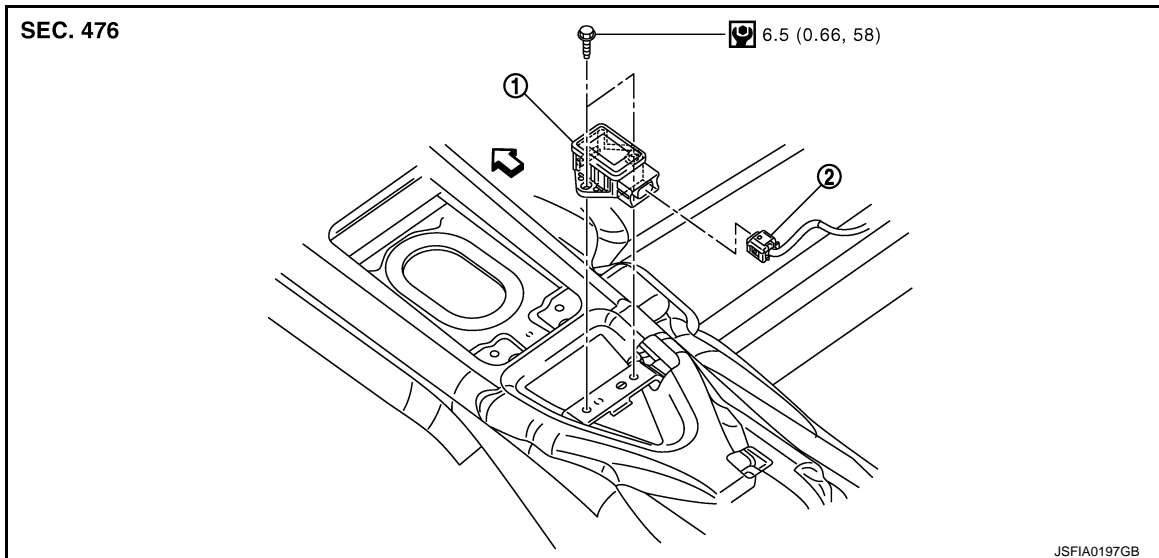
< REMOVAL AND INSTALLATION >

[VDC/TCS/ABS]

YAW RATE/SIDE G SENSOR

Exploded View

INFOID:000000008286417



1. Yaw rate/side G sensor
2. Connector

←: Vehicle front

Refer to GI section [GI-4. "Components"](#) for symbol makes in the figure.

Removal and Installation

INFOID:000000008286418

REMOVAL

CAUTION:

Do not drop or strike yaw rate/side G sensor, or do not use power tool etc., because yaw rate/side G sensor is sensitive to the impact.

1. Remove center console. Refer to [IP-23. "Exploded View"](#).
2. Disconnect yaw rate/side G sensor harness connector.
3. Remove mounting bolts. Remove yaw rate/side G sensor.

INSTALLATION

Note the following, and install in the reverse order of removal.

- Do not drop or strike yaw rate/side G sensor, or do not use power tool etc., because yaw rate/side G sensor is sensitive to the impact.

STEERING ANGLE SENSOR

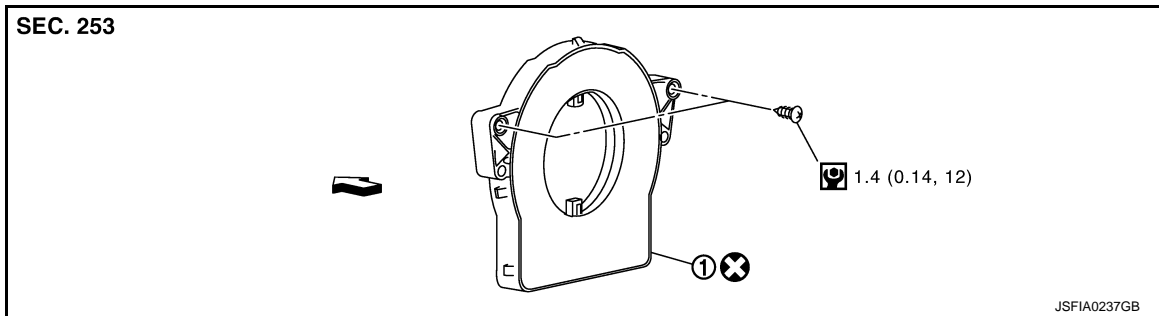
< REMOVAL AND INSTALLATION >

[VDC/TCS/ABS]

STEERING ANGLE SENSOR

Exploded View

INFOID:000000008286419



1. Steering angle sensor

↔: Vehicle front

Refer to GI section [GI-4. "Components"](#) for symbol marks in the figure.

Removal and Installation

INFOID:000000008286420

REMOVAL

1. Remove spiral cable assembly. Refer to [SR-14. "Exploded View"](#).
2. Remove steering angle sensor from spiral cable assembly.

INSTALLATION

Note the following, and install in the reverse order of removal.

- Never reuse steering angle sensor.
- When installing steering angle sensor, tighten it to the specified torque with an electric screwdriver. Be sure to tighten it completely with no floating and tilting.
- After work, make sure to adjust neutral position of steering angle sensor. Refer to [BRC-9. "ADJUSTMENT OF STEERING ANGLE SENSOR NEUTRAL POSITION : Description"](#).

SYSTEM DESCRIPTION

PREVIEW FUNCTION

System Description

INFOID:000000008286421

FUNCTION DESCRIPTION

When the Preview Function identifies the need to apply emergency braking by sensing a vehicle ahead in the same lane and the distance and relative speed from it, it applies the brake pre-pressure before the driver depress the brake pedal and helps improve brake response by reducing pedal free play.

The Preview Function shares component parts and diagnosis with the ICC (Intelligent Cruise Control) system.

CAUTION:

This system is only an aid to assist braking operation and is not a collision warning or avoidance device. It is the driver's responsibility to stay alert, drive safely and be in control of the vehicle at all times.

OPERATION DESCRIPTION

Operation

- The system detects the distance to the vehicle in front with the ICC sensor integrated unit of ICC (Full Speed Range) and judges the necessity of emergency braking.
- The system detects the accelerator pedal release operation of the driver by the accelerator pedal position sensor and estimates the driver's brake operation intention.
- If the system is judged that the emergency braking is necessary or that the driver has the intention to operate the brake it supplies the power supply to the brake booster to apply pre-pressure and adjusts the brake play.

NOTE:

This system will not operate when the vehicle is moving at approximately 32 km/h (20 MPH) or less.

End of Operation

The pre-pressure function ceases when the following conditions are met:

1. When the driver depresses the accelerator pedal or the brake pedal.
2. If the driver does not operate the accelerator pedal or brake pedal within approximately 1 second.

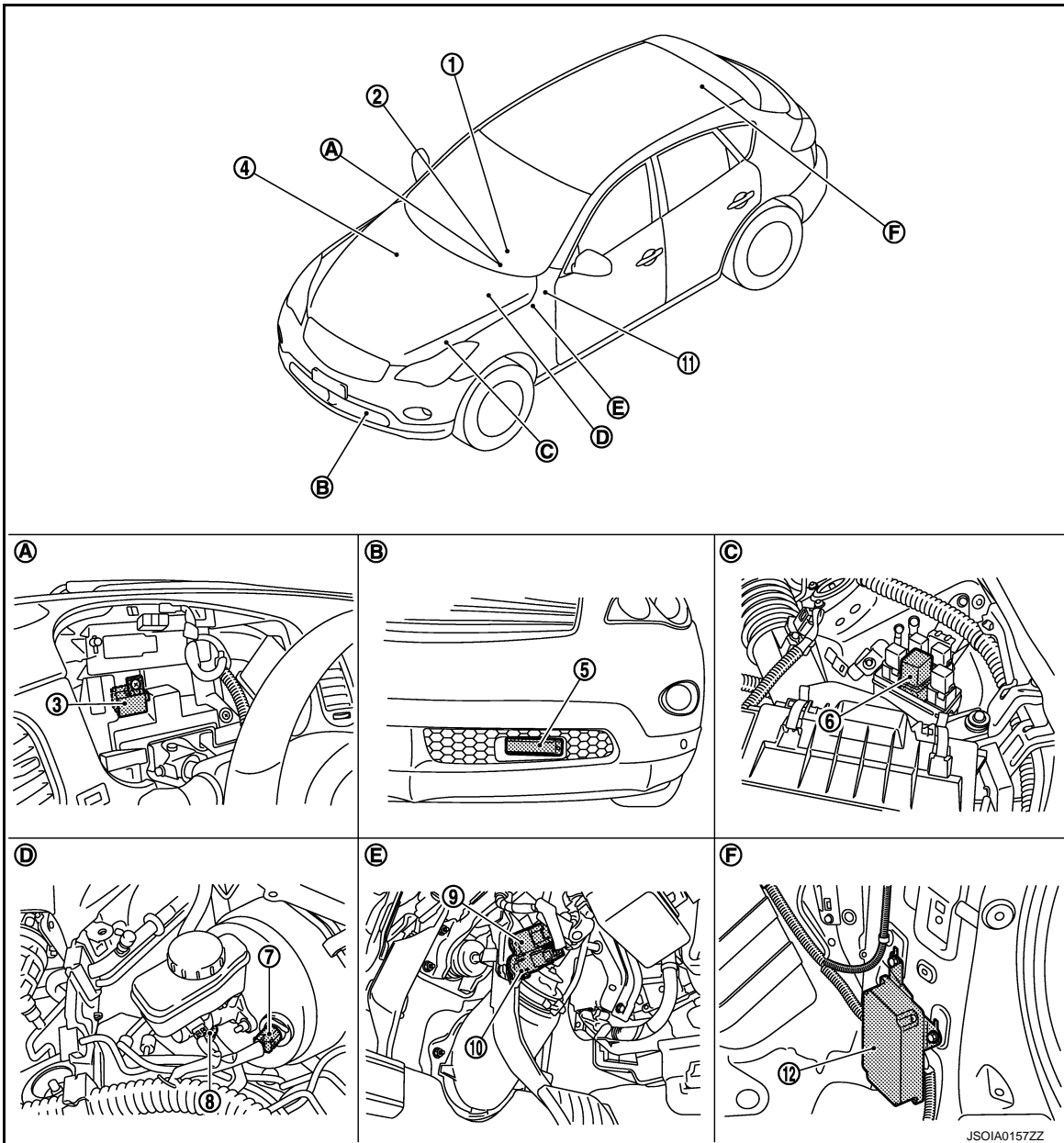
PREVIEW FUNCTION

[BRAKE ASSIST (WITH PREVIEW FUNCTION)]

< SYSTEM DESCRIPTION >

Component Parts Location

INFOID:000000008286422



- | | | |
|--|---|--------------------------------|
| 1. ICC steering switch | 2. Information display, ICC system warning lamp
(On the combination meter) | 3. ICC warning chime |
| 4. ECM
Refer to EC-39. "Component Parts Location" . | 5. ICC sensor integrated unit | 6. ICC brake hold relay |
| 7. Booster solenoid/Release switch | 8. Brake pressure sensor | 9. Stop lamp switch |
| 10. ICC brake switch | 11. IBA OFF switch | 12. Brake booster control unit |
| A. Behind the combination meter | B. Front bumper (LH) | C. Engine room (LH) |
| D. Inside brake master cylinder cover | E. Upper side of brake pedal | F. Luggage room (RH) |

PREVIEW FUNCTION

< SYSTEM DESCRIPTION >

[BRAKE ASSIST (WITH PREVIEW FUNCTION)]

Component Description

INFOID:000000008286423

×: Applicable

Component	Function Description			Description
	*1	*2	*3	
ICC sensor integrated unit	×	×	×	Refer to CCS-47, "Description" .
ECM	×	×	×	Refer to CCS-82, "Description" .
ABS actuator and electric unit (control unit)	×	×	×	Refer to CCS-53, "Description" .
BCM	×			Transmits the front wiper request signal to ICC sensor integrated unit via CAN communication.
TCM	×	×		Refer to CCS-123, "Description" .
Unified meter and A/C amp.	×	×	×	Receives the meter display signal, ICC warning lamp signal, and IBA OFF indicator lamp signal from ICC sensor integrated unit via CAN communication and transmits them to the combination meter via the communication line.
Combination meter	×	×	×	Performs the following operations using the signals received from the unified meter and A/C amp. via the communication line. <ul style="list-style-type: none"> Displays the ICC system operation status using the meter display signal. Illuminates the ICC system warning lamp using the ICC warning lamp signal. Illuminates the IBA OFF indicator lamp using the IBA OFF indicator lamp signal.
ICC brake switch	×	×	×	Refer to CCS-55, "Description" .
Stop lamp switch	×	×	×	
ICC brake hold relay	×		×	Refer to CCS-75, "Description" .
Brake booster control unit	×	×	×	Refer to CCS-93, "Description" .
Brake booster	×		×	Refer to CCS-93, "Description" .
Brake pressure sensor	×		×	Refer to CCS-63, "Description" .
Booster solenoid/Release switch	×		×	<ul style="list-style-type: none"> Refer to CCS-65, "Description" for booster solenoid. Refer to CCS-68, "Description" for release switch.
ICC warning chime	×	×	×	Refer to CCS-136, "Description" .
Steering angle sensor	×			Refer to CCS-117, "Description" .
IBA OFF switch			× ^{NOTE}	Refer to CCS-112, "Description" .

*1: Vehicle-to-vehicle distance control mode

*2: Conventional (fixed speed) cruise control mode

*3: IBA system and Brake Assist (With Preview Function)

NOTE:

Only IBA system uses

DTC/CIRCUIT DIAGNOSIS

PREVIEW FUNCTION

Diagnosis Procedure

INFOID:000000008286424

1. BRAKE ASSIST (PREVIEW FUNCTION) DIAGNOSIS

When the preview function is not operating properly, the buzzer sounds and the preview function warning lamp will come on.

NOTE:

The preview function warning lamp shares the ICC system warning lamp.

>> Go to ICC (Full Speed Range). Refer to [CCS-5. "Work Flow"](#).

A
B
C
D
E
G
H
I
J
K
L
M
N
O
P

BRC

NORMAL OPERATING CONDITION

< SYMPTOM DIAGNOSIS >

[BRAKE ASSIST (WITH PREVIEW FUNCTION)]

SYMPTOM DIAGNOSIS

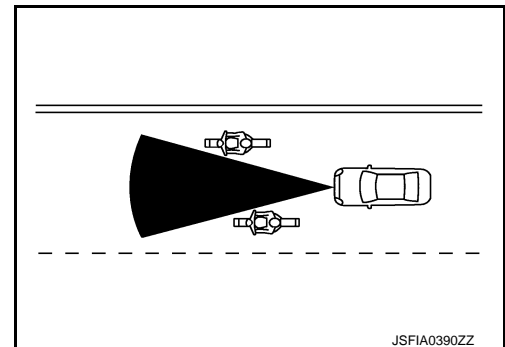
NORMAL OPERATING CONDITION

Description

INFOID:000000008286425

PRECAUTIONS FOR PREVIEW FUNCTION

- This system is only an aid to assist braking operation and is not a collision warning or avoidance device. It is the driver's responsibility to stay alert, drive safely and be in control of the vehicle at all times.
- As there is a performance limit to the Preview Function, never rely solely on this system. This system does not correct careless inattentive or absent-minded driving, or overcome poor visibility in rain, fog, or other bad weather. Reduce vehicle speed by depressing the brake, in order to maintain a safe distance between vehicles.
- The system may not detect a vehicle ahead, depending on road or weather conditions. While the vehicle still travels and the Brake Assist System operates under normal conditions, the Preview Function may operate improperly under the following conditions:
 - When rain, snow or dirt adhere to the system sensor
 - When strong light (for example, at sunrise or sunset) is directly shining on the front of the vehicle
 - Winding or hilly roads may cause the sensor to temporarily not detect a vehicle in the same lane or may detect objects or vehicles in other lanes.
 - Vehicle position in the lane may cause the sensor to temporarily not detect a vehicle in the same lane or may detect objects or vehicles in other lanes.
- The system will not detect:
 - Pedestrians or objects in the roadway
 - Oncoming vehicles in the same lane
 - Motorcycles traveling offset in the travel lane as illustrated
- When the Preview Function operates, the brake pedal may move slightly and may make a small noise. This is not a system malfunction.



PRECAUTIONS

[BRAKE ASSIST (WITH PREVIEW FUNCTION)]

< PRECAUTION >

PRECAUTION

PRECAUTIONS

Precautions for Preview Function Service

INFOID:000000008286426

- Never look straight into the laser beam discharger when adjusting laser beam aiming.
- Never use the ICC sensor integrated unit removed from vehicle. Never disassemble or remodel.

A

B

C

D

E

BRC

G

H

I

J

K

L

M

N

O

P

SYSTEM DESCRIPTION

INTELLIGENT BRAKE ASSIST

System Description

INFOID:000000008286427

FUNCTION DESCRIPTION

Intelligent Brake Assist (IBA) system warns the driver by a warning lamp and chime when there is a risk of a collision with the vehicle ahead in the traveling lane and the driver must take avoidance action immediately. The system helps reduce the rear-end collision speed by applying the brakes when it judges a collision can not be avoided.

CAUTION:

The IBA system is a not collision avoidance system. It is the driver’s responsibility to stay alert, drive safely and be in control of the vehicle at all times. As there is a performance limit, it may not provide a warning or brake in certain conditions.

NOTE:

- The IBA system shares component parts and diagnosis with the ICC (Intelligent Cruise Control) system. New parts added to the IBA system is the IBA OFF indicator lamp in the combination meter and the IBA OFF switch on the inside instrument driver lower panel.
- The ICC sensor integrated unit shares the parts with the ICC, but the IBA system will operate even when the ICC system is turned to OFF.

OPERATION DESCRIPTION

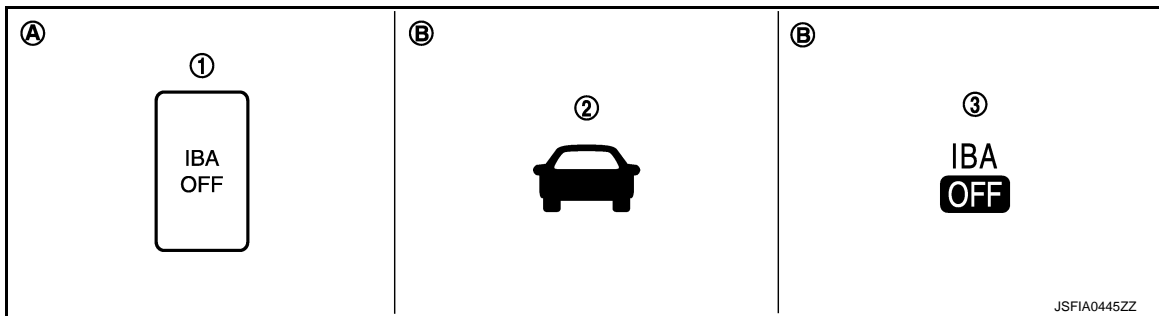
The IBA system uses a distance sensor located below the front bumper to measure the distance to a vehicle ahead. When the system judges that the distance gets shorter, the vehicle ahead detection indicator lamp on the combination meter blinks and the warning chime sounds.

To turn the system OFF/ON, push and hold the IBA OFF switch after starting the engine for more than 1 second.

NOTE:

- The system ON/OFF condition will be memorized even if the ignition switch turns OFF.
- The IBA system operates under the following conditions.
 - The IBA system will function when the vehicle is driven at speeds of approximately 15 km/h (10 MPH) and above, and when the vehicle’s speed is approximately 15 km/h (10 MPH) faster than that of the vehicle ahead.

Switch and Indicators




- 1. IBA OFF switch
- 2. Vehicle ahead detection indicator lamp
- 3. IBA OFF indicator lamp
- A. On the instrument lower panel LH
- B. On the combination meter

Fail-safe Indication

INTELLIGENT BRAKE ASSIST

< SYSTEM DESCRIPTION >

[INTELLIGENT BRAKE ASSIST]

Condition	Description	Indication on the combination meter
<ul style="list-style-type: none"> When the sensor window is dirty When the system malfunction 	The system will be cancelled automatically with a beep sound.	
When driving into a strong light (i.e. sunlight)	The system is temporary unavailable. (Without the warning chime)	

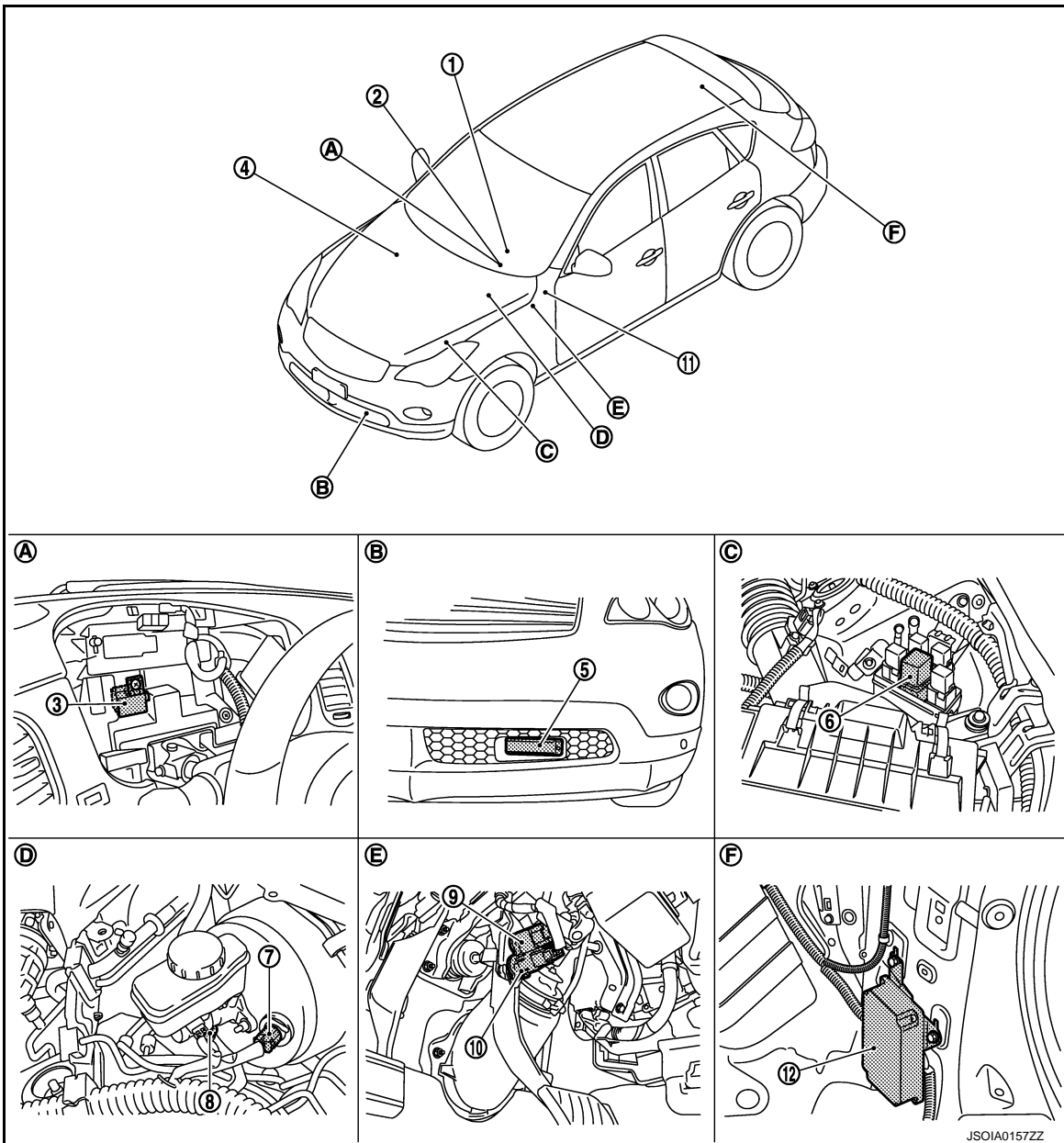
JSFIA0392ZZ

NOTE:

When the IBA turns OFF, the IBA OFF indicator lamp will illuminate.

Component Parts Location

INFOID:000000008286428



JSOIA0157ZZ

A
B
C
D
E
G
H
I
J
K
L
M
N
O
P

BRC

INTELLIGENT BRAKE ASSIST

< SYSTEM DESCRIPTION >

[INTELLIGENT BRAKE ASSIST]

- | | | |
|--|---|--------------------------------|
| 1. ICC steering switch | 2. Information display, ICC system warning lamp
(On the combination meter) | 3. ICC warning chime |
| 4. ECM
Refer to EC-39, "Component Parts Location" . | 5. ICC sensor integrated unit | 6. ICC brake hold relay |
| 7. Booster solenoid/Release switch | 8. Brake pressure sensor | 9. Stop lamp switch |
| 10. ICC brake switch | 11. IBA OFF switch | 12. Brake booster control unit |
| A. Behind the combination meter | B. Front bumper (LH) | C. Engine room (LH) |
| D. Inside brake master cylinder cover | E. Upper side of brake pedal | F. Luggage room (RH) |

Component Description

INFOID:000000008286429

×: Applicable

Component	Function Description			Description
	*1	*2	*3	
ICC sensor integrated unit	×	×	×	Refer to CCS-47, "Description" .
ECM	×	×	×	Refer to CCS-82, "Description" .
ABS actuator and electric unit (control unit)	×	×	×	Refer to CCS-53, "Description" .
BCM	×			Transmits the front wiper request signal to ICC sensor integrated unit via CAN communication.
TCM	×	×		Refer to CCS-123, "Description" .
Unified meter and A/C amp.	×	×	×	Receives the meter display signal, ICC warning lamp signal, and IBA OFF indicator lamp signal from ICC sensor integrated unit via CAN communication and transmits them to the combination meter via the communication line.
Combination meter	×	×	×	Performs the following operations using the signals received from the unified meter and A/C amp. via the communication line. <ul style="list-style-type: none"> Displays the ICC system operation status using the meter display signal. Illuminates the ICC system warning lamp using the ICC warning lamp signal. Illuminates the IBA OFF indicator lamp using the IBA OFF indicator lamp signal.
ICC brake switch	×	×	×	Refer to CCS-55, "Description" .
Stop lamp switch	×	×	×	
ICC brake hold relay	×		×	Refer to CCS-75, "Description" .
Brake booster control unit	×	×	×	Refer to CCS-93, "Description" .
Brake booster	×		×	Refer to CCS-93, "Description" .
Brake pressure sensor	×		×	Refer to CCS-63, "Description" .
Booster solenoid/Release switch	×		×	<ul style="list-style-type: none"> Refer to CCS-65, "Description" for booster solenoid. Refer to CCS-68, "Description" for release switch.
ICC warning chime	×	×	×	Refer to CCS-136, "Description" .
Steering angle sensor	×			Refer to CCS-117, "Description" .
IBA OFF switch			× ^{NOTE}	Refer to CCS-112, "Description" .

*1: Vehicle-to-vehicle distance control mode

*2: Conventional (fixed speed) cruise control mode

*3: IBA system and Brake Assist (With Preview Function)

NOTE:

Only IBA system uses

DTC/CIRCUIT DIAGNOSIS

INTELLIGENT BRAKE ASSIST

Diagnosis Procedure

INFOID:000000008286430

1. INTELLIGENT BRAKE ASSIST DIAGNOSIS

- The system will be cancelled automatically with a beep sound and IBA OFF indicator lamp on the combination meter will illuminate, when the system will not operate properly.
- When the IBA OFF indicator lamp continues to illuminate even if the IBA system is turned ON after the engine restarts, perform the trouble-diagnosis.

NOTE:

IBA system automatically returns to ON, when erasing self-diagnosis result for "ICC/ADAS" with CONSULT.

>> Go to ICC (Full Speed Range). Refer to [CCS-5, "Work Flow"](#).

A
B
C
D
E
G
H
I
J
K
L
M
N
O
P

BRC

SWITCH DOES NOT TURN ON / SWITCH DOES NOT TURN OFF

< SYMPTOM DIAGNOSIS >

[INTELLIGENT BRAKE ASSIST]

SYMPTOM DIAGNOSIS

SWITCH DOES NOT TURN ON / SWITCH DOES NOT TURN OFF

Symptom Table

INFOID:000000008286431

CAUTION:

Perform the self-diagnosis with CONSULT before the symptom diagnosis. Perform the trouble diagnosis if any DTC is detected.

Symptom		Inspection item/Reference page
IBA system does not turn ON/OFF	IBA OFF indicator lamp is not turned ON⇔OFF when operating IBA OFF switch	BRC-146. "Diagnosis Procedure"

Description

INFOID:000000008286432

IBA system does not turn ON/OFF.

- IBA OFF indicator lamp does not illuminate even if the IBA OFF switch is depressed when IBA OFF indicator lamp is not illuminated.
- IBA OFF indicator lamp does not turn OFF even if the IBA OFF switch is depressed when IBA OFF indicator lamp is illuminated.

NOTE:

- To turn the system OFF⇔ON, push and hold the IBA OFF switch after starting the engine for more than 1 second.
- The system ON/OFF condition will be memorized even if the ignition switch turns OFF.

Diagnosis Procedure

INFOID:000000008286433

1. PERFORM THE SELF-DIAGNOSIS

1. Perform "All DTC Reading" with CONSULT.
2. Check if the DTC is detected in self-diagnosis results for "ICC/ADAS" with CONSULT. Refer to [CCS-152. "DTC Index"](#).

Is any DTC detected?

- YES >> GO TO 6.
NO >> GO TO 2.

2. IBA OFF SWITCH INSPECTION

1. Start the engine.
2. Check that "IBA SW" operates normally in "DATA MONITOR" for "ICC/ADAS" with CONSULT.

Is the inspection result normal?

- YES >> GO TO 3.
NO >> GO TO 5.

3. CHECK IBA OFF INDICATOR CIRCUIT

1. Start the engine.
2. Select the active test item "METER LAMP" for "ICC/ADAS" with CONSULT.
3. Check if the IBA OFF indicator lamp illuminates when the test item is operated.

Is the inspection result normal?

- YES >> Refer to [GI-38. "Work Flow"](#).
NO >> GO TO 4.

4. CHECK DATA MONITOR OF "UNIFIED METER AND A/C AMP."

Check that "BA W/L" operates normally in "DATA MONITOR" for "METER/M&A" with CONSULT, when the IBA OFF switch is pushed and hold for more than 1 second.

Is the inspection result normal?

- YES >> Replace the combination meter. Refer to [MWI-137. "Exploded View"](#).
NO >> Replace the unified meter and A/C amp. Refer to [MWI-138. "Exploded View"](#).

SWITCH DOES NOT TURN ON / SWITCH DOES NOT TURN OFF

< SYMPTOM DIAGNOSIS >

[INTELLIGENT BRAKE ASSIST]

5.CHECK IBA OFF SWITCH

Check IBA OFF switch. Refer to [CCS-113. "Component Inspection \(IBA OFF Switch\)".](#)

Is the inspection result normal?

YES >> GO TO 7.

NO >> GO TO 6.

6.REPAIR OR REPLACE MALFUNCTIONING PARTS

Repair or replace malfunctioning parts.

>> GO TO 7.

7.CHECK IBA SYSTEM

Check that IBA OFF indicator lamp turned ON⇔OFF, when operating IBA OFF switch.

>> INSPECTION END

A
B
C
D
E
F
G
H
I
J
K
L
M
N
O
P

BRC

NORMAL OPERATING CONDITION

< SYMPTOM DIAGNOSIS >

[INTELLIGENT BRAKE ASSIST]

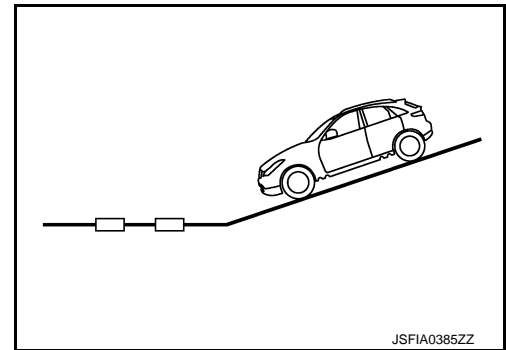
NORMAL OPERATING CONDITION

Description

INFOID:000000008286434

PRECAUTIONS FOR INTELLIGENT BRAKE ASSIST

- The IBA system is a not collision avoidance system. It is the driver's responsibility to stay alert, drive safely and be in control of the vehicle at all times.
- As there is a performance limit, it may not provide a warning or brake in certain conditions.
- The system will not detect the following objects:
 - Pedestrians, animals, or obstacles in the roadway
 - Oncoming vehicles in the same lane
- The system will not detect under the following conditions:
 - When the sensor gets dirty and it is impossible to detect the distance from the vehicle ahead.
 - When driving into a strong light (i.e. sunlight)
- The sensor generally detects the signals returned from the reflectors on a vehicle ahead. Therefore, the system may not function properly under the following conditions:
 - When the reflectors of the vehicle ahead are positioned high or close each other (including a small vehicle such as motorcycles).
 - When the sensor gets dirty or and it is impossible to detect the distance from the vehicle ahead.
 - When the reflectors on the vehicle ahead is missing, damaged or covered.
 - When the reflector of the vehicle ahead is covered with dirt, snow and road spray.
 - When visibility is low (such as rain, fog, snow, etc.).
 - When snow or road spray from traveling vehicles are raised up.
 - When dense exhaust or other smoke (black smoke) from vehicles reduces the sensor visibility.
 - When excessively heavy baggage is loaded in the rear seat or the luggage room of vehicle.
 - When abruptly accelerating or decelerating.
 - On steep downhill or roads with sharp curves.
 - When there is a highly reflective object near the vehicle ahead (ie,) very close to other vehicle, signboard, etc.
 - While towing a trailer.
- Depending on certain road conditions (curved, beginning of a curve), vehicle conditions (steering position, vehicle position), or preceding vehicle's conditions (position in lane, etc.), the system may not function properly.
- The system may not function in offset conditions.
- The system may not function when the distance to the vehicle ahead is extremely close.
- The system detect highly reflective objects such as reflectors, signs, white markers, and other stationary objects on the road or near the traveling lane, and when in extreme conditions, detection of these objects may cause the system to function.
- The system is designed to automatically check the sensor's functionality. If the sensor is covered with ice, a transparent or translucent plastic bag, etc., the system may not detect them. In these instances the system may not be able to warn properly. Be sure to check and clean the sensor regularly.
- Excessive noise will interfere with the warning chime sound, and the chime may not be heard.
- Never step in under the brake pedal to avoid an accident when IBA system turns on.
- Sudden appearance of the vehicle in front (ie, it abruptly cuts in) may not be detected and the system may not warn soon enough.
- The system will be cancelled automatically with a beep sound and the IBA OFF indicator lamp will illuminate under the following conditions:
 - When the sensor window is dirty
 - When the system malfunctions



PRECAUTION

PRECAUTIONS

Precautions for IBA System Service

INFOID:000000008286435

- Never look straight into the laser beam discharger when adjusting laser beam aiming.
- Turn the IBA system OFF in conditions similar to driving, such as free rollers or a chassis dynamometer.
- Never use the ICC sensor integrated unit removed from vehicle. Never disassemble or remodel.
- Erase DTC when replacing parts of ICC system. Then check the operation of ICC system after adjusting laser beam aiming if necessary.
- Never change IBA system state ON/OFF without the consent of the customer.

NOTE:

IBA system automatically returns to ON, when erasing self-diagnosis result for "ICC/ADAS" with CONSULT.

A
B
C
D
E

BRC

G
H
I
J
K
L
M
N
O
P

REMOVAL AND INSTALLATION

IBA OFF SWITCH

Removal and Installation

INFOID:000000008286436

REMOVAL

1. Remove instrument lower panel LH. Refer to [IP-13. "Removal and Installation"](#).
2. Disengage the pawl. Then remove IBA OFF switch.

INSTALLATION

Install in the reverse order of removal.