

SECTION **PG**

POWER SUPPLY, GROUND & CIRCUIT ELEMENTS

CONTENTS

POWER SUPPLY & GROUND CIRCUIT	Wiring Diagram - IGNITION POWER SUPPLY	
BASIC INSPECTION 3	FUSE No. 45 -68	
BATTERY 3	Fuse69	
How to Handle Battery3	Fusible Link71	
Work Flow3	Circuit Breaker71	
DTC/CIRCUIT DIAGNOSIS 6	OPTION HARNESS 72	
POWER SUPPLY ROUTING CIRCUIT 6	Wiring Diagram - OPTION HARNESS -72	
Wiring Diagram - BATTERY POWER SUPPLY -6	HARNESS LAYOUT 75	
Wiring Diagram - BATTERY POWER SUPPLY	Outline75	
FUSIBLE LINK No. K -27	Engine Room Harness76	
Wiring Diagram - BATTERY POWER SUPPLY	Engine Control Harness78	
FUSE No. 6 -28	Main Harness80	
Wiring Diagram - BATTERY POWER SUPPLY	Body Harness81	
FUSE No. 7 -29	Door Harness83	
Wiring Diagram - BATTERY POWER SUPPLY	Room Lamp Harness88	
FUSE No. 10 -30	HARNESS CONNECTOR 89	
Wiring Diagram - BATTERY POWER SUPPLY	Description89	
FUSE No. 11 -31	STANDARDIZED RELAY 92	
Wiring Diagram - BATTERY POWER SUPPLY	Description92	
FUSE No. 32 -32	FUSE BLOCK - JUNCTION BOX (J/B) 94	
Wiring Diagram - BATTERY POWER SUPPLY	Fuse, Connector and Terminal Arrangement94	
FUSE No. 34 -33	FUSE, FUSIBLE LINK AND RELAY BOX 95	
Wiring Diagram - BATTERY POWER SUPPLY	Fuse and Fusible Link Arrangement95	
FUSE No. 50 -34	IPDM E/R (INTELLIGENT POWER DISTRI-	
Wiring Diagram - BATTERY POWER SUPPLY	BUTION MODULE ENGINE ROOM) 96	
FUSE No. 53 -35	Fuse, Connector and Terminal Arrangement96	
Wiring Diagram - ACCESSORY POWER SUP-	PRECAUTION 97	
PLY FUSE No. 19 -43	PRECAUTIONS 97	
Wiring Diagram - IGNITION POWER SUPPLY -44	Precaution for Supplemental Restraint System	
Wiring Diagram - IGNITION POWER SUPPLY	(SRS) "AIR BAG" and "SEAT BELT PRE-TEN-	
FUSE No. 3 -64	SIONER"97	
Wiring Diagram - IGNITION POWER SUPPLY	Precaution for Procedure without Cowl Top Cover...97	
FUSE No. 4 -66	PREPARATION 98	
Wiring Diagram - IGNITION POWER SUPPLY		
FUSE No. 44 -67		

A
B
C
D
E
F
G
H
I
J
K
L
PG
N
O
P

PREPARATION	98	Exploded View	101
Special Service Tools	98	Removal and Installation	101
REMOVAL AND INSTALLATION	99	SERVICE DATA AND SPECIFICATIONS	
BATTERY	99	(SDS)	102
Exploded View	99	SERVICE DATA AND SPECIFICATIONS	
Removal and Installation	99	(SDS)	102
BATTERY TERMINAL WITH FUSIBLE LINK.	101	Battery	102

BASIC INSPECTION

BATTERY

How to Handle Battery

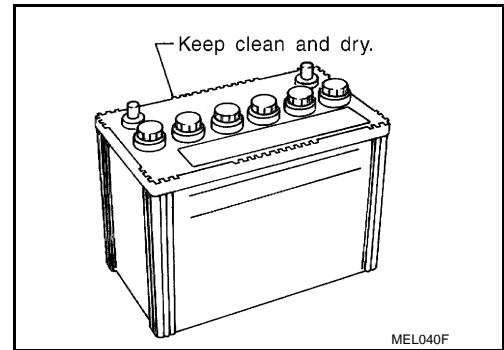
INFOID:000000008286437

CAUTION:

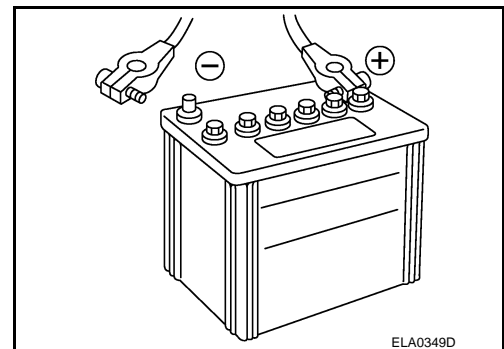
- If it becomes necessary to start the engine with a booster battery and jumper cables, use a 12-volt booster battery.
- After connecting battery cables, ensure that they are tightly clamped to battery terminals for good contact.
- Never add distilled water through the hole used to check specific gravity.

METHODS OF PREVENTING OVER-DISCHARGE

- The following precautions must be taken to prevent over-discharging a battery.
- The battery surface (particularly its top) should always be kept clean and dry.
 - The terminal connections should be clean and tight.
 - At every routine maintenance, check the electrolyte level.
This also applies to batteries designated as "low maintenance" and "maintenance-free".



- When the vehicle is not going to be used over a long period of time, disconnect the battery cable from the negative terminal. (If the vehicle has an extended storage switch, turn it off.)



Work Flow

INFOID:000000008286438

BATTERY DIAGNOSIS WITH EXP-800 NI OR GR8-1200 NI

To diagnose and confirm the condition of the battery, use the following special service tools:

- EXP-800 NI Battery and electrical diagnostic analyzer
- GR8-1200 NI Multitasking battery and electrical diagnostic station

NOTE:

Refer to the applicable instruction manual for proper battery diagnosis procedures.

BATTERY DIAGNOSIS WITHOUT EXP-800 NI OR GR8-1200 NI

Check Electrolyte Level

WARNING:

Never allow battery fluid to come in contact with skin, eyes, fabrics, or painted surfaces. After touching a battery, never touch or rub your eyes until you have thoroughly washed your hands. If acid contacts eyes, skin or clothing, immediately flush with water for 15 minutes and seek medical attention. Failure to do this may cause personal injury or damage to clothing or the painted surfaces.

A
B
C
D
E
F
G
H
I
J
K
L

PG

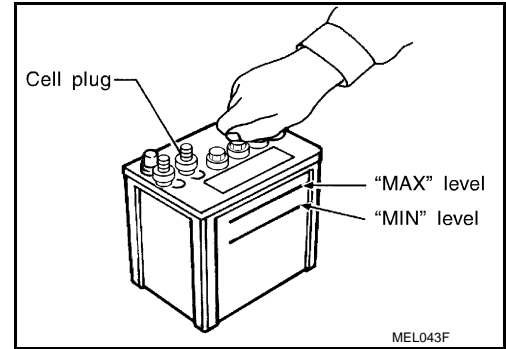
N
O
P

BATTERY

[POWER SUPPLY & GROUND CIRCUIT]

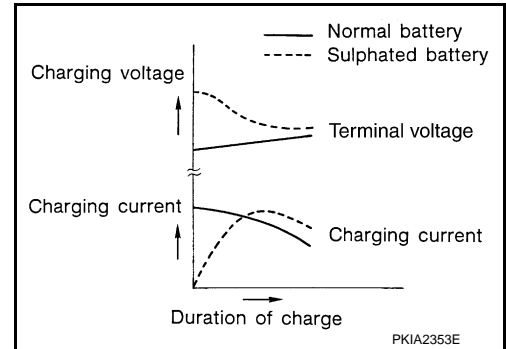
< BASIC INSPECTION >

- Remove the cell plug using a suitable tool.
- Add distilled water up to the MAX level.



SULPHATION

- A battery will be completely discharged if it is left unattended for a long time and the specific gravity will become less than 1.100. This may result in sulphation on the cell plates.
- To determine if a battery has been “sulphated”, note its voltage and current when charging it. As shown in the figure, less current and higher voltage are observed in the initial stage of charging sulphated batteries.
- A sulphated battery may sometimes be brought back into service by means of a long, slow charge, 12 hours or more, followed by a battery capacity test.



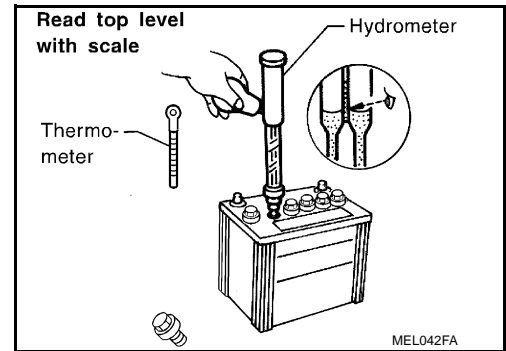
Specific Gravity Check

NOTE:

Check the charge condition of the battery.

Periodically check the specific gravity of the electrolyte. Keep a close check on charge condition to prevent over-discharge.

1. Read hydrometer and thermometer indications at eye level.
2. Use the chart below to correct your hydrometer reading according to electrolyte temperature.



Hydrometer Temperature Correction

Battery electrolyte temperature [°C (°F)]	Add to specific gravity reading
71 (160)	0.032
66 (150)	0.028
60 (140)	0.024
54 (130)	0.020
49 (120)	0.016
43 (110)	0.012
38 (100)	0.008
32 (90)	0.004
27 (80)	0
21 (70)	-0.004
16 (60)	-0.008
10 (50)	-0.012

BATTERY

< BASIC INSPECTION >

[POWER SUPPLY & GROUND CIRCUIT]

Battery electrolyte temperature [°C (°F)]	Add to specific gravity reading
4 (40)	-0.016
-1 (30)	-0.020
-7 (20)	-0.024
-12 (10)	-0.028
-18 (0)	-0.032

Corrected specific gravity	Approximate charge condition
1.260 - 1.280	Fully charged
1.230 - 1.250	3/4 charged
1.200 - 1.220	1/2 charged
1.170 - 1.190	1/4 charged
1.140 - 1.160	Almost discharged
1.110 - 1.130	Completely discharged

Charging The Battery

CAUTION:

- **Never “quick charge” a fully discharged battery.**
- **Keep the battery away from open flame while it is being charged.**
- **When connecting the charger, connect the leads first, then turn on the charger. Never turn on the charger first, as this may cause a spark.**
- **If battery electrolyte temperature rises above 55 °C (131 °F), stop charging. Always charge battery at a temperature below 55 °C (131 °F).**

Charging Rates (Standard Charge)

Approximate charge condition	Charge current (A)	Charge time (h)
Fully charged	5	2
3/4 charged		2.5
1/2 charged		5
1/4 charged		7.5
Almost discharged		9
Completely discharged		10

Charging Rates (Quick Charge)

Approximate charge condition	Charge current (A)	Charge time (h)
Fully charged	—	—
3/4 charged	13	0.5
1/2 charged	26	
1/4 charged		
Almost discharged	—	—
Completely discharged	—	

NOTE:

The ammeter reading on your battery charger will automatically decrease as the battery charges. This indicates that the voltage of the battery is increasing normally as the state of charge improves. The charging amps indicated above refer to initial charge rate.

- If, after charging, the specific gravity of any two cells varies more than 0.050, the battery should be replaced.

A
B
C
D
E
F
G
H
I
J
K
L
N
O
P

PG

POWER SUPPLY ROUTING CIRCUIT

< DTC/CIRCUIT DIAGNOSIS >

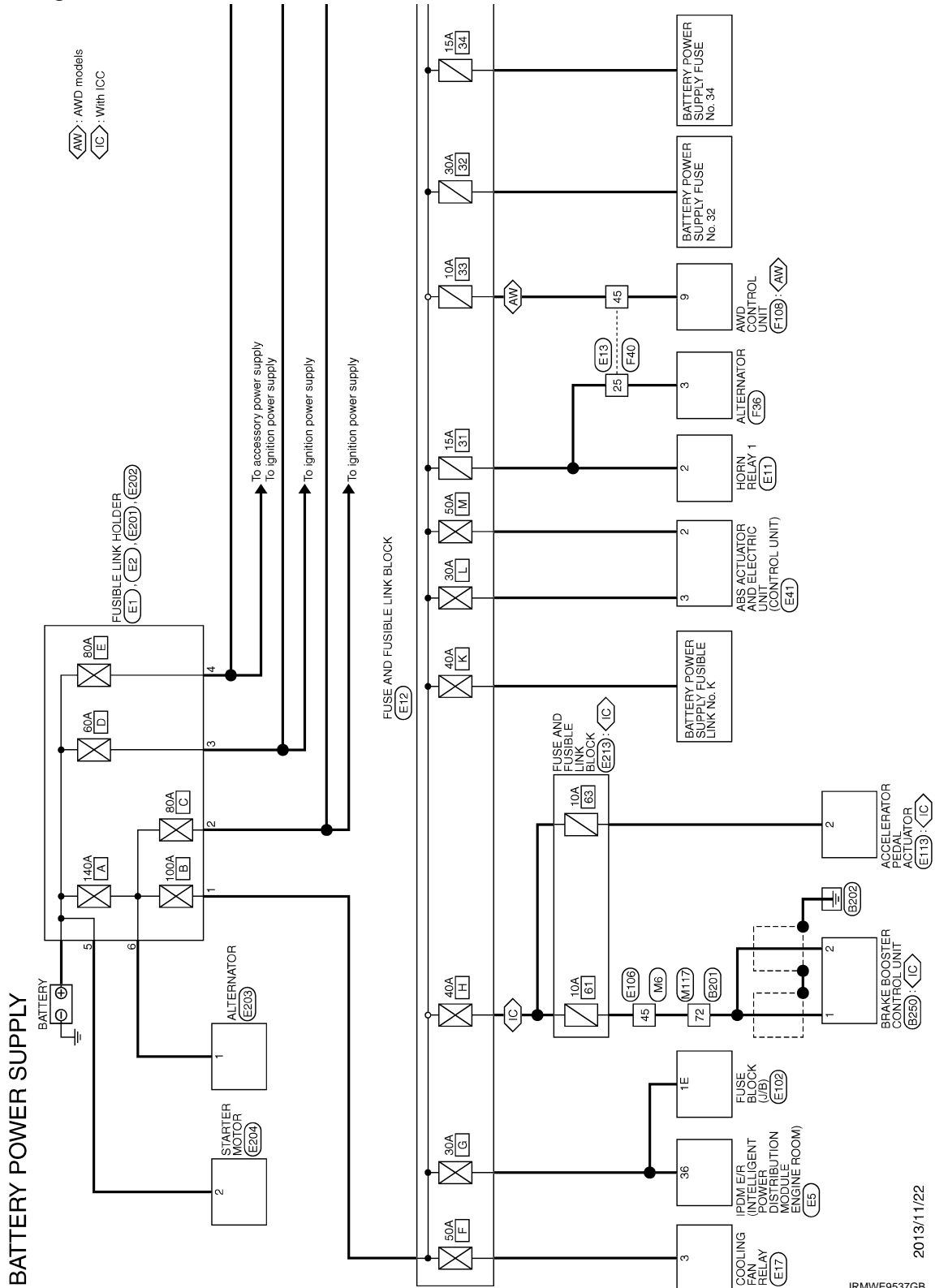
[POWER SUPPLY & GROUND CIRCUIT]

DTC/CIRCUIT DIAGNOSIS

POWER SUPPLY ROUTING CIRCUIT

Wiring Diagram - BATTERY POWER SUPPLY -

INFOID:000000008286439

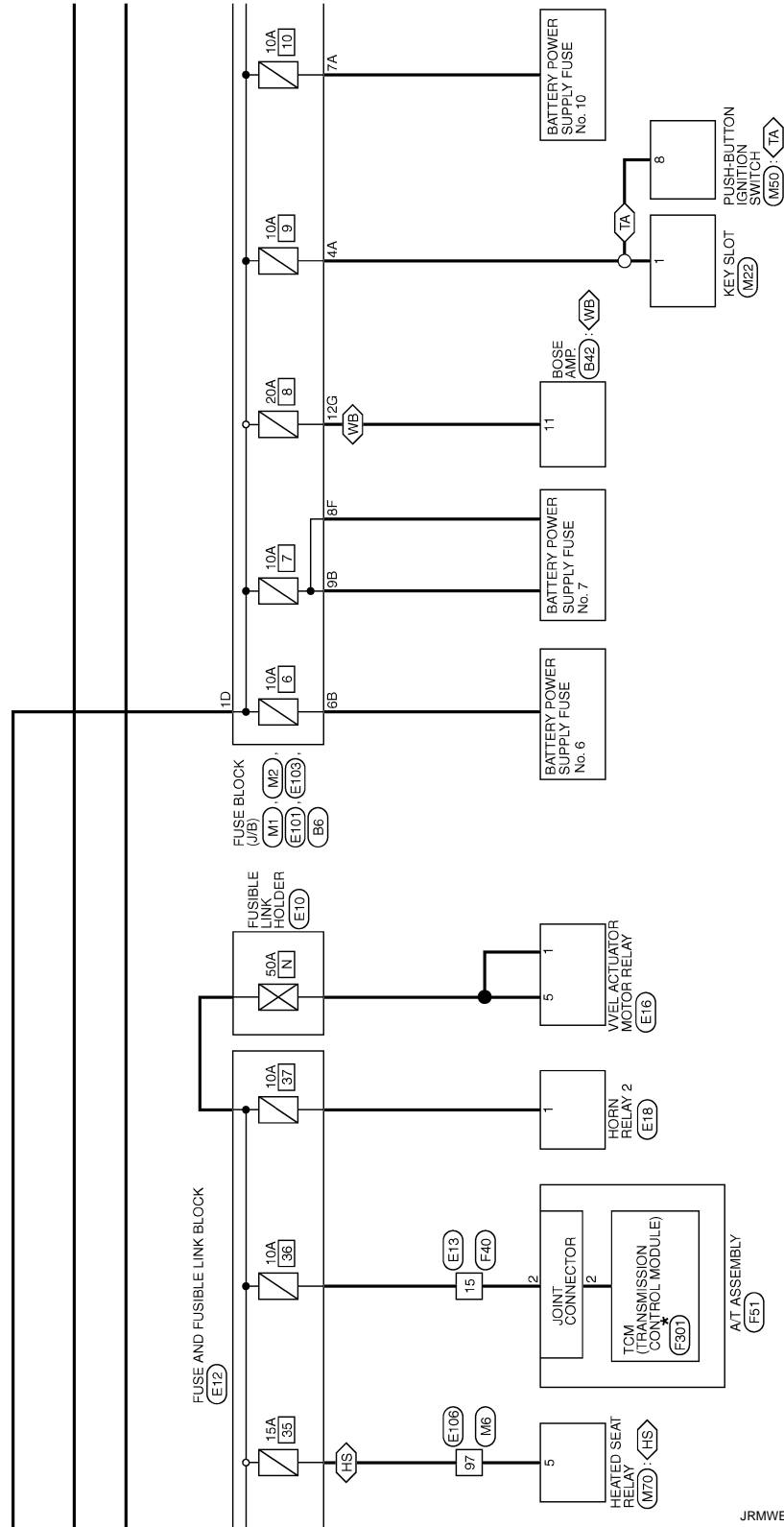


POWER SUPPLY ROUTING CIRCUIT

[POWER SUPPLY & GROUND CIRCUIT]

< DTC/CIRCUIT DIAGNOSIS >

- ◀WB▶ : With BOSE audio
- ◀HS▶ : With heated seat
- ◀TB▶ : Refer to "Connector information" in "HOW TO READ WIRING DIAGRAMS" in "GENERAL INFORMATION".
- ◀TA▶



*: This connector is not shown in "Harness Layout".

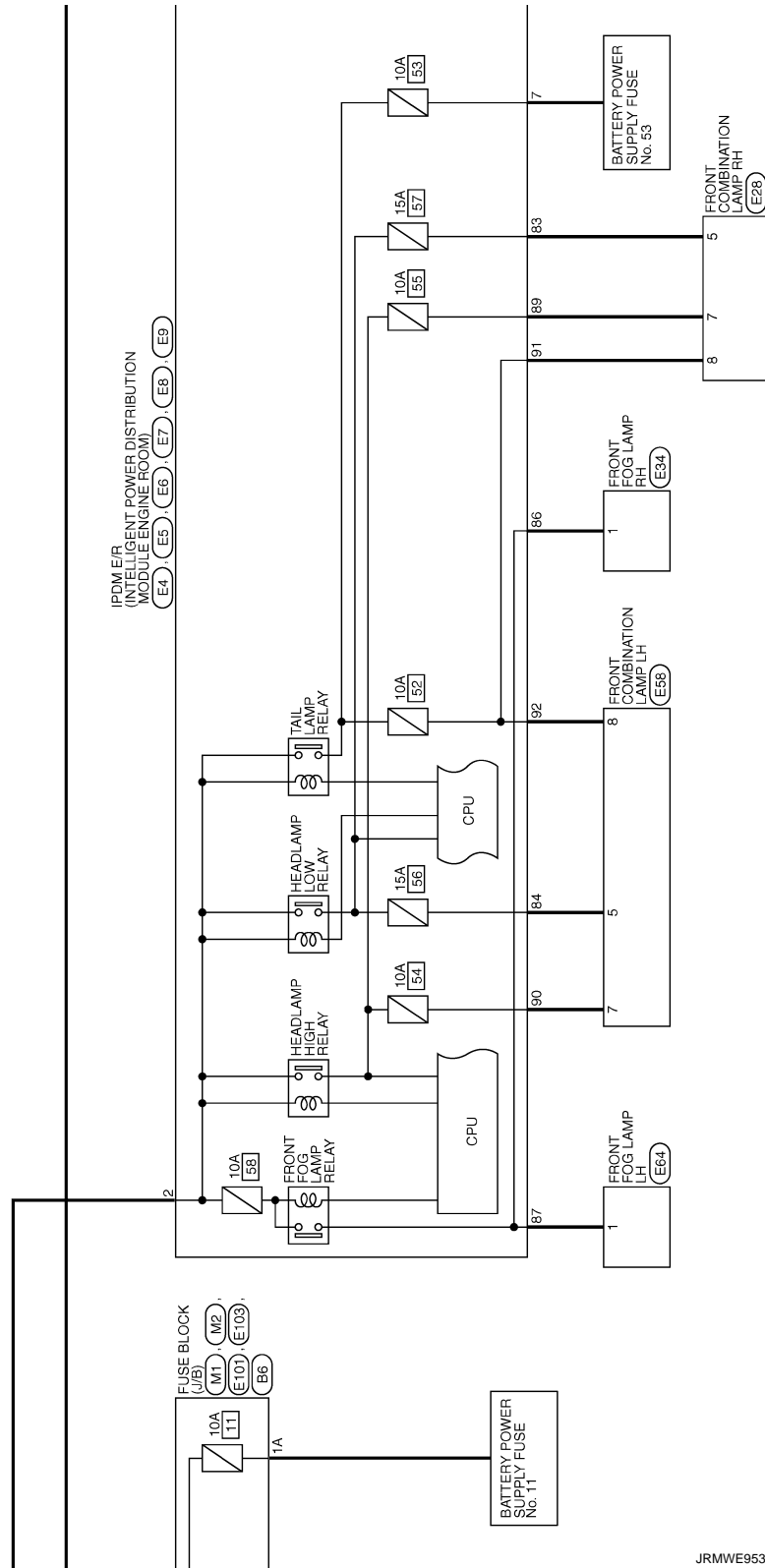
JRMWE9538GB

A
B
C
D
E
F
G
H
I
J
K
L
PG
N
O
P

POWER SUPPLY ROUTING CIRCUIT

< DTC/CIRCUIT DIAGNOSIS >

[POWER SUPPLY & GROUND CIRCUIT]

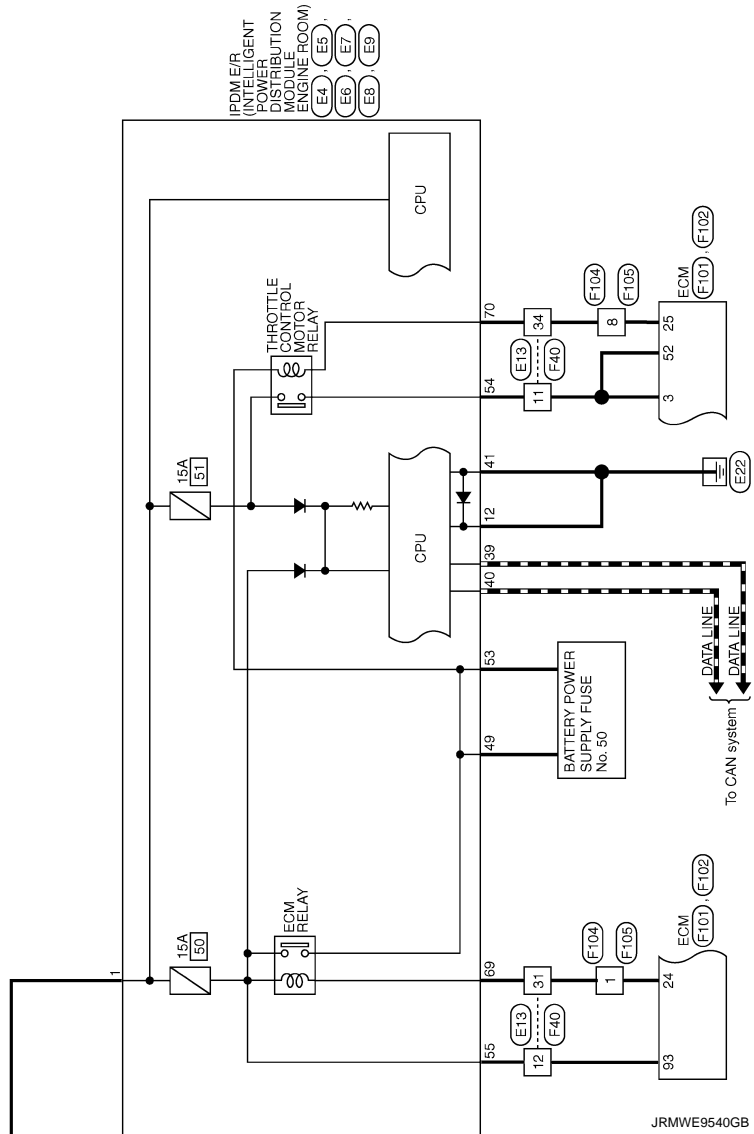


JRMWE9539GB

POWER SUPPLY ROUTING CIRCUIT

< DTC/CIRCUIT DIAGNOSIS >

[POWER SUPPLY & GROUND CIRCUIT]



JRMWE9540GB

A
B
C
D
E
F
G
H
I
J
K
L
PG
N
O
P

POWER SUPPLY ROUTING CIRCUIT

< DTC/CIRCUIT DIAGNOSIS >

[POWER SUPPLY & GROUND CIRCUIT]

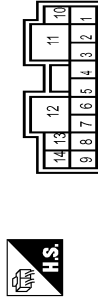
BATTERY POWER SUPPLY

Connector No.	B6
Connector Name	FUSE BLOCK (JIB)
Connector Type	NS12FBR-CS



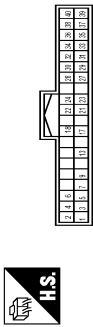
Terminal No.	Color Of Wire	Signal Name [Specification]
10G	W	-
11G	W	-
12G	GR	-
4G	R	-
5G	LG	-

Connector No.	B42
Connector Name	BOSE AMP.
Connector Type	SGA12FBR-SJA2



Terminal No.	Color Of Wire	Signal Name [Specification]
1	Y	SOUND SIGNAL REAR DOOR SPEAKER LH (+)
2	SB	SOUND SIGNAL REAR DOOR SPEAKER RH (+)
3	V	SOUND SIGNAL REAR DOOR SPEAKER LH (-)
4	B	SOUND SIGNAL FRONT DOOR SPEAKER LH (+)
5	P	SOUND SIGNAL FRONT DOOR SPEAKER LH (-)
6	L	SOUND SIGNAL FRONT SOUAWKER LH (+)
7	W	SOUND SIGNAL FRONT SOUAWKER LH (-)
8	LG	SOUND SIGNAL FRONT DOOR SPEAKER RH (+)
9	G	SOUND SIGNAL WOOFEER AND REAR SOUAWKER (+)
10	G	SOUND SIGNAL REAR DOOR SPEAKER LH (+)
11	GR	BATTERY
12	W	GROUND
13	Y	SOUND SIGNAL FRONT DOOR SPEAKER RH (+)
14	R	SOUND SIGNAL WOOFEER AND REAR SOUAWKER (-)

Connector No.	B46
Connector Name	AROUND VIEW MONITOR CONTROL UNIT
Connector Type	TH40FM-NH



Terminal No.	Color Of Wire	Signal Name [Specification]
1	B	GROUND
2	Y	BATTERY
3	P	IGNITION SIGNAL
4	GR	ACC
6	RG	ILLUMINATION SIGNAL
8	SB	VEHICLE SPEED SIGNAL (8-PULSE)
7	V	REVERSE SIGNAL
9	V	CONTROL SIGNAL
13	B	CONTROL SIGNAL
17	SB	AV COMM (H)
18	LG	AV COMM (L)
21	SB	AV COMM (H)
22	LG	AV COMM (L)
23	LG	-
24	G	-
27	W	CAMERA IMAGE SIGNAL
28	SHIELD	CAMERA IMAGE SIGNAL GND
29	Y	SIDE CAMERA RH IMAGE SIGNAL
30	G	SIDE CAMERA RH IMAGE GND
31	SHIELD	SHIELD
32	B	SIDE CAMERA RH GND
33	W	SIDE CAMERA RH COMM
34	R	SIDE CAMERA RH POWER SUPPLY
35	L	REAR CAMERA COMM
36	BR	REAR CAMERA POWER SUPPLY
37	SHIELD	SHIELD
38	R	REAR CAMERA GND
39	Y	REAR CAMERA IMAGE SIGNAL
40	W	REAR CAMERA IMAGE GND

Connector No.	B51
Connector Name	WOOFEER
Connector Type	RS08FGY-PR



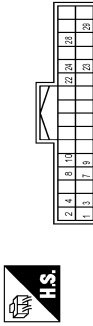
Terminal No.	Color Of Wire	Signal Name [Specification]
1	R	SOUND SIGNAL WOOFEER (-)
2	G	SOUND SIGNAL WOOFEER (+)
4	GR	WOOFEER AMP. ON SIGNAL
5	B	GROUND
6	V	BATTERY

Connector No.	B60
Connector Name	REAR COMBINATION LAMP LH
Connector Type	TH44MW-NH



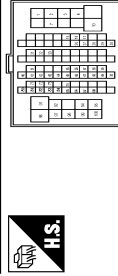
Terminal No.	Color Of Wire	Signal Name [Specification]
1	R	-
2	LG	-
4	B	-

Connector No.	B87
Connector Name	TEL ADAPTER UNIT
Connector Type	TH82FM-NH



Terminal No.	Color Of Wire	Signal Name [Specification]
1	GR	BATTERY
2	LG	ACC
3	W	IGNITION SIGNAL
4	B	GROUND
7	RR	MICROPHONE SIGNAL
8	SHIELD	MICROPHONE GND
9	SHIELD	TEL VOICE SIGNAL (+)
10	W	TEL VOICE SIGNAL (-)
22	B	CONTROL SIGNAL
23	B	CONTROL SIGNAL
24	B	CONTROL SIGNAL
28	P	VEHICLE SPEED (8-PULSE)
29	Y	MICROPHONE VCC

Connector No.	B201
Connector Name	WIRES TO WIRE
Connector Type	TH89FM-CS16-TM4



Terminal No.	Color Of Wire	Signal Name [Specification]
1	R	-
2	W	-
3	GR	-
4	RG	-
7	LG	-
10	W	-

POWER SUPPLY ROUTING CIRCUIT

< DTC/CIRCUIT DIAGNOSIS >

[POWER SUPPLY & GROUND CIRCUIT]

BATTERY POWER SUPPLY	
15	SB
16	V
17	BR
26	BR
27	L
28	Y
29	Y
30	GR
31	R
32	BR
33	G
51	R
55	G
56	R
57	W
58	B
59	SHIELD
60	LG
61	W
62	BR
63	P
64	L
65	G
66	P
67	L
68	SHIELD
69	V
70	Y
71	SB
72	W
73	BR
75	Y
80	V
81	SB
82	LG
83	P
84	R
85	L
86	BG
87	L
88	P
91	V
92	R
94	R
95	SB
96	G
97	G
98	R
99	P
100	L

Connector No.	B226
Connector Name	REAR SEATBACK POWER RETURN CONTROL UNIT
Connector Type	YAA16FW



Terminal No.	Color Of Wire	Signal Name [Specification]
17	Y	BAT (SYSTEM)
20	P	FLIP UP SW (RH)
21	GR	PRIMARY POSITION L/S (LH)
22	BR	PRIMARY POSITION L/S (RH)
23	BG	GND (RH L/S)
24	BR	SPEED 8P
28	LG	FLIP UP SW (LH)
29	W	RETURN COMPLETE L/S (LH)
30	R	RETURN COMPLETE L/S (RH)
31	L	GND (LH L/S)
32	B	GND (SIGNAL)

Connector No.	B227
Connector Name	REAR SEATBACK POWER RETURN CONTROL UNIT
Connector Type	SEA16FW



Terminal No.	Color Of Wire	Signal Name [Specification]
1	V	GND (RH SENSOR)
2	Y	MOTOR SENSOR (RH)
3	G	POWER SUPPLY (RH SENSOR)
5	GR	BACKWARD
6	L	FORWARD
7	SB	FORWARD
8	R	FORWARD
9	P	GND (LH SENSOR)
10	BR	MOTOR SENSOR (LH)

11	LG	POWER SUPPLY (LH SENSOR)
13	B	GND (POWER)
16	W	BAT (POWER)

Connector No.	B232
Connector Name	REAR COMBINATION LAMP RH
Connector Type	THAMW-NH



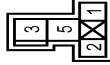
Terminal No.	Color Of Wire	Signal Name [Specification]
1	R	-
2	LG	-
4	B	-

Connector No.	B236
Connector Name	SATELLITE RADIO TUNER
Connector Type	A16FW



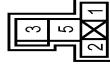
Terminal No.	Color Of Wire	Signal Name [Specification]
1	G	SATELLITE RADIO SOUND SIGNAL LH (L)
2	R	SATELLITE RADIO SOUND SIGNAL LH (R)
3	W	SATELLITE RADIO SOUND SIGNAL RH (L)
4	B	SATELLITE RADIO SOUND SIGNAL RH (R)
5	SHIELD	SHIELD
6	SHIELD	SHIELD
8	P	REQUEST (SAT-CONT)
9	P	COMM (SAT-CONT)
10	G	COMM (CONT-SAT)
12	Y	BATTERY
16	V	ACC

Connector No.	B246
Connector Name	REAR SEATBACK RELEASE RELAY (LH)
Connector Type	MS02FL-M2-LC



Terminal No.	Color Of Wire	Signal Name [Specification]
1	BR	-
2	BG	-
3	W	-
5	W	-

Connector No.	B247
Connector Name	REAR SEATBACK RELEASE RELAY (RH)
Connector Type	MS02FL-M2-LC



Terminal No.	Color Of Wire	Signal Name [Specification]
1	BG	-
2	Y	-
3	W	-
5	W	-

JRMWE9747GB

A
B
C
D
E
F
G
H
I
J
K
L
N
O
P

PG

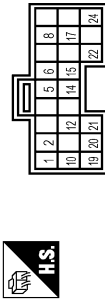
POWER SUPPLY ROUTING CIRCUIT

< DTC/CIRCUIT DIAGNOSIS >

[POWER SUPPLY & GROUND CIRCUIT]

BATTERY POWER SUPPLY

Connector No.	B250
Connector Name	BRAKE BOOSTER CONTROL UNIT
Connector Type	TK24FV



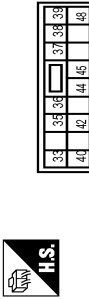
Terminal No.	Color Of Wire	Signal Name [Specification]
1	W	BATTERY
2	W	BATTERY
3	P	ITS COMM-L
4	SB	RELEASE SW PWR
5	R	BRAKE PRESSURE SEN PWR
6	G	BOOSTER SOL PWR
7	R	ITS COMM-H
8	LG	RELEASE SW (NC)
9	L	BRAKE PRESSURE SEN SIGNAL
10	B	GROUND
11	Y	CHIME SIGNAL
12	P	RELEASE SW (NO)
24	BG	BRAKE PRESSURE SEN GND

Connector No.	B253
Connector Name	EVAP CANISTER VENT CONTROL VALVE
Connector Type	EO2F-B4RS



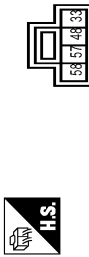
Terminal No.	Color Of Wire	Signal Name [Specification]
1	P	-
2	L	-

Connector No.	B452
Connector Name	DRIVER SEAT CONTROL UNIT
Connector Type	NS16FV-CS



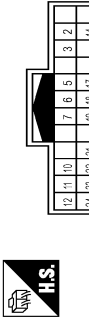
Terminal No.	Color Of Wire	Signal Name [Specification]
33	R	BAT (G/B)
35	WIR	SLIDING MOTOR (FORWARD)
36	W	RECLINING MOTOR (DOWNWARD)
37	G/W	FRONT LIFTING MOTOR (DOWNWARD)
38	L/W	REAR LIFTING MOTOR (UPWARD)
39	R/B	REAR LIFTING MOTOR (BACKWARD)
40	R/W	BAT (USE)
42	W/B	SLIDING MOTOR (BACKWARD)
44	P	RECLINING MOTOR (BACKWARD)
45	L/R	FRONT LIFTING MOTOR (UPWARD)
48	B	GND (POWER)

Connector No.	B457
Connector Name	LUMBAR SUPPORT SWITCH
Connector Type	NS04FV-CS



Terminal No.	Color Of Wire	Signal Name [Specification]
33	R	-
48	B	-
57	W	-
58	L	-

Connector No.	D3
Connector Name	DOOR MIRROR (DRIVER SIDE)
Connector Type	TH24MV-AH



Terminal No.	Color Of Wire	Signal Name [Specification]
2	O	-
3	B	SIDE CAMERA LH COMM
5	Y	SIDE CAMERA LH IMAGE SIGNAL
6	R	SIDE CAMERA LH POWER SUPPLY
7	W	-
10	G	-
11	P	-
12	O	-
14	LG	-
17	G	SIDE CAMERA LH IMAGE GND
18	W	SIDE CAMERA LH GND
19	B	-
21	GR	-
22	BR	-
23	Y	-
24	V	-

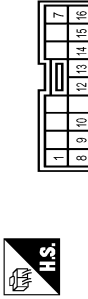
Connector No.	D5
Connector Name	SEAT MEMORY SWITCH
Connector Type	A08FV



Terminal No.	Color Of Wire	Signal Name [Specification]
1	L	-
2	BR	-
3	GR	-
4	B	-

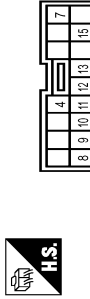
5	R
6	O
7	P

Connector No.	D7
Connector Name	DOOR MIRROR REMOTE CONTROL SWITCH
Connector Type	TK16FW



Terminal No.	Color Of Wire	Signal Name [Specification]
1	B	-
7	V	-
8	B	-
9	R	-
10	G	-
12	G	-
13	GR	-
14	P	-
15	O	-
16	O	-

Connector No.	D17
Connector Name	DOOR MIRROR REMOTE CONTROL SWITCH
Connector Type	TK16FBR



Terminal No.	Color Of Wire	Signal Name [Specification]
4	BR	-
7	B	-
8	B	-
9	R	-
10	GR	-

POWER SUPPLY ROUTING CIRCUIT

< DTC/CIRCUIT DIAGNOSIS >

[POWER SUPPLY & GROUND CIRCUIT]

BATTERY POWER SUPPLY

11	LG	-
12	G	-
13	W	-
15	Y	-

Connector No.	D112
Connector Name	LICENSE PLATE LAMP LH
Connector Type	TK02FBR



Terminal No.	Color	Of Wire	Signal Name [Specification]
1	R	-	-
2	B	-	-

Connector No.	D117
Connector Name	LICENSE PLATE LAMP RH
Connector Type	TK02FBR



Terminal No.	Color	Of Wire	Signal Name [Specification]
1	R	-	-
2	B	-	-

Connector No.	E1
Connector Name	FUSIBLE LINK HOLDER
Connector Type	L02FBR-MC



Terminal No.	Color	Of Wire	Signal Name [Specification]
1	R	-	-
2	W	-	-

Connector No.	E2
Connector Name	FUSIBLE LINK HOLDER
Connector Type	L02FGY-MC



Terminal No.	Color	Of Wire	Signal Name [Specification]
3	L	-	-
4	R	-	-

Connector No.	E4
Connector Name	POWER INTELLIGENT POWER DISTRIBUTION MODULE (ENGINE ROOM)
Connector Type	L02FB-MC



Terminal No.	Color	Of Wire	Signal Name [Specification]
1	W	-	-
2	L	-	-

Connector No.	E5
Connector Name	POWER INTELLIGENT POWER DISTRIBUTION MODULE (ENGINE ROOM)
Connector Type	TH20FV-CS2-M4-TV



Terminal No.	Color	Of Wire	Signal Name [Specification]
4	V	-	-
5	L	-	-
7	R	-	-
12	B/W	-	-
13	Y	-	-
16	LG	-	-
19	W	-	-
25	G	-	-
26	R	-	-
27	BG	-	-
28	L	-	-
30	GR	-	-
36	G	-	-

Connector No.	E6
Connector Name	POWER INTELLIGENT POWER DISTRIBUTION MODULE (ENGINE ROOM)
Connector Type	TH08FV-NH



Terminal No.	Color	Of Wire	Signal Name [Specification]
39	P	-	-
40	L	-	-
41	B/W	-	-
43	SB	-	-
44	BR	-	-
45	G	-	-
46	R	-	-

Connector No.	E7
Connector Name	POWER INTELLIGENT POWER DISTRIBUTION MODULE (ENGINE ROOM)
Connector Type	TH20FV-CS2-M4



Terminal No.	Color	Of Wire	Signal Name [Specification]
48	L	-	-
49	BG	-	-
51	Y	-	-
53	W	-	-
54	P	-	-
55	SB	-	-
56	LG	-	-
57	G	-	-
58	V	-	-
69	BR	-	-
70	BG	-	-
74	P	-	-
75	SB	-	-

JRMWE9749GB

A
B
C
D
E
F
G
H
I
J
K
L
PG
N
O
P

POWER SUPPLY ROUTING CIRCUIT

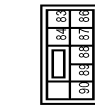
< DTC/CIRCUIT DIAGNOSIS >

[POWER SUPPLY & GROUND CIRCUIT]

BATTERY POWER SUPPLY

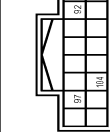
Terminal No.	Color Of Wire	Signal Name [Specification]
76	Y	-
77	R	-
80	W	-

Connector No.	E8
Connector Name	POWER INTELLIGENT POWER DISTRIBUTION MODULE (ENGINE ROOM)
Connector Type	NS08FMV-CS



Terminal No.	Color Of Wire	Signal Name [Specification]
83	EG	-
84	V	-
86	W	-
87	L	-
88	GR	-
89	BR	-
90	P	-

Connector No.	E9
Connector Name	POWER INTELLIGENT POWER DISTRIBUTION MODULE (ENGINE ROOM)
Connector Type	TH8FTV-NH



Terminal No.	Color Of Wire	Signal Name [Specification]
91	P	-
92	BG	-
97	V	-
104	LG	-

Connector No.	E10
Connector Name	FUSIBLE LINK HOLDER
Connector Type	24380-JL00A



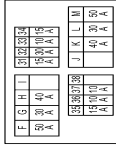
Terminal No.	Color Of Wire	Signal Name [Specification]
N	R	-

Connector No.	E11
Connector Name	HORN RELAY 1
Connector Type	Relay 24381-7990A



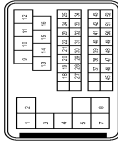
Terminal No.	Color Of Wire	Signal Name [Specification]
1	BR	-
2	LG	-
3	B	-

Connector No.	E12
Connector Name	FUSE AND FUSIBLE LINK BLOCK
Connector Type	24381-7990A



Terminal No.	Color Of Wire	Signal Name [Specification]
31	LG	-
32	P	-
33	BG	-
34	Y	-
35	R	-
36	R	-
37	BR	-
F	W	-
G	G	-
H	G	-
K	W	-
L	R	-
M	G	-

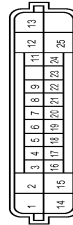
Connector No.	E13
Connector Name	WIRE TO WIRE
Connector Type	SAA38MB-RSS-SH23



Terminal No.	Color Of Wire	Signal Name [Specification]
1	L/Y	-
2	SHIELD	-
3	L/B	-
4	SHIELD	-
5	BR	-
7	G	-
8	W	-
9	W	-
10	Y	-
11	P	-
12	SB	-
13	L	-
14	G	-
15	R	-
16	LG	-
18	Y	-
19	BG	-
20	B	-
21	SB	-

22	W	-
23	L	-
24	G	-
25	LG	-
27	GR	-
28	V	-
29	P	-
30	R	-
31	BR	-
32	Y	-
33	G	-
34	BG	-
37	SHIELD	-
38	L	-
39	P	-
40	R	-
41	W	-
42	LG	-
43	G	-
46	BG	-
47	W	-
48	BR	-
49	G	-
50	B	-
51	SB	-
52	R	-

Connector No.	E14
Connector Name	WEL CONTROL MODULE
Connector Type	RH8FB-AJ28-RH



Terminal No.	Color Of Wire	Signal Name [Specification]
1	V	WEL ACTUATOR RELAY POWER SUPPLY (BANK 2)
2	L/B	WEL ACTUATOR MOTOR (HIGH LIFT) (BANK 2)
3	G	WEL CONTROL SHUNT POSITION SENSOR (BANK 2)
4	W	WEL CONTROL SHUNT POSITION SENSOR (BANK 1)
5	R	WEL CONTROL SHUNT POSITION SENSOR (BANK 2)
6	B	WEL CONTROL SHUNT POSITION SENSOR (BANK 2)
7	SB	WEL CONTROL SHUNT POSITION SENSOR (BANK 2)

JRMWE9750GB

POWER SUPPLY ROUTING CIRCUIT

< DTC/CIRCUIT DIAGNOSIS >

[POWER SUPPLY & GROUND CIRCUIT]

BATTERY POWER SUPPLY

8	BG	POWER SUPPLY FOR VVEL CONTROL MODULE
9	LG	ENGINE CONTROL SYSTEM (ECS) CONTROL SHIFTS POSITION SENSOR (BANK 1)
11	G	ENGINE COMMUNICATION LINE
12	G	VVEL ACTUATOR MOTOR (HIGH LIFT) (BANK 1)
13	W	VVEL ACTUATOR MOTOR RELAY POWER SUPPLY (BANK 1)
14	BW	VVEL CONTROL MODULE GROUND
15	LY	VVEL ACTUATOR MOTOR (LOW LIFT) (BANK 2)
16	R	VVEL CONTROL SHIFTS POSITION SENSOR 2 (BANK 1)
17	L	VVEL CONTROL SHIFTS POSITION SENSOR 2 (BANK 1)
18	G	VVEL CONTROL SHIFTS POSITION SENSOR 2 (BANK 2)
19	W	VVEL CONTROL SHIFTS POSITION SENSOR 2 (BANK 2)
20	BR	VVEL CONTROL SHIFTS POSITION SENSOR 2 (BANK 2)
21	V	VVEL ACTUATOR MOTOR RELAY ABOVE SIGNAL
22	P	VVEL ACTUATOR MOTOR RELAY ABOVE SIGNAL
23	GR	VVEL ACTUATOR MOTOR RELAY
24	I	CAN-H
25	BR	VVEL ACTUATOR MOTOR (LOW LIFT) (BANK 1)

Connector No.	E17
Connector Name	COOLING FAN RELAY
Connector Type	24347-9F900



Terminal No.	Color Of Wire	Signal Name [Specification]
1	B	-
2	P	-
3	W	-
5	R	-

Connector No.	E16
Connector Name	VVEL ACTUATOR MOTOR RELAY
Connector Type	24347-9F900



Terminal No.	Color Of Wire	Signal Name [Specification]
1	R	VVEL ACTUATOR MOTOR RELAY
2	GR	VVEL ACTUATOR MOTOR RELAY
3	V	VVEL ACTUATOR MOTOR RELAY POWER SUPPLY (BANK 2)
5	R	VVEL ACTUATOR MOTOR RELAY POWER SUPPLY (BANK 2)

Connector No.	E28
Connector Name	FRONT COMBINATION LAMP RH
Connector Type	RS08FB-FR



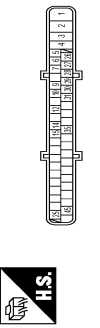
Terminal No.	Color Of Wire	Signal Name [Specification]
2	B	-
3	BY	-
4	BW	-
5	RG	-
6	V	-
7	BR	-
8	P	-

Connector No.	E34
Connector Name	FRONT FOG LAMP RH
Connector Type	PH202FB



Terminal No.	Color Of Wire	Signal Name [Specification]
1	W	-
2	BW	-

Connector No.	E41
Connector Name	ABS ACTUATOR AND ELECTRIC UNIT (CONTROL UNIT)
Connector Type	BAA42FB-AH24-LH



Terminal No.	Color Of Wire	Signal Name [Specification]
1	B	GROUND
2	G	UBWR
3	R	UBVR
4	B	GROUND
5	Y	DS FL
6	BG	DP RL
7	BR	DP RR
9	B	DP FR
10	W	DS FR
12	L	VAC
14	P	CAN-L
15	SHIELD	GROUND
19	P	UST
25	Y	BUS-L
26	LG	DP FL
27	GR	DS RL
28	G	LZ
29	LG	DS RR
30	SB	BLS
31	R	VDC OFF SW
35	L	CAN-H
45	B	BUS-H

A
B
C
D
E
F
G
H
I
J
K
L
N
O
P

PG

POWER SUPPLY ROUTING CIRCUIT

< DTC/CIRCUIT DIAGNOSIS >

[POWER SUPPLY & GROUND CIRCUIT]

BATTERY POWER SUPPLY

Connector No.	E50
Connector Name	IGC BRAKE HOLD RELAY
Connector Type	M08FCY-R-US



Terminal No.	Color Of Wire	Signal Name [Specification]
1	V	-
2	B	-
3	P	-
4	SB	-
6	P	-
7	R	-

Connector No.	E57
Connector Name	BELL/CLY KEY WARNING BUZZER (ENGINE ROOM)
Connector Type	RK03FBR



Terminal No.	Color Of Wire	Signal Name [Specification]
1	Y	-
3	V	-

Connector No.	E58
Connector Name	FRONT COMBINATION LAMP LH
Connector Type	RS08FB-FR



Terminal No.	Color Of Wire	Signal Name [Specification]
2	B	-
3	BY	-
4	BW	-
5	V	-
6	G	-
7	D	-
8	BG	-

Connector No.	E64
Connector Name	FRONT FOG LAMP LH
Connector Type	FH202FB



Terminal No.	Color Of Wire	Signal Name [Specification]
1	L	-
2	BW	-

Connector No.	E101
Connector Name	FUSE BLOCK (J/B)
Connector Type	L01FW-MC



Terminal No.	Color Of Wire	Signal Name [Specification]
1D	R	-

Connector No.	E102
Connector Name	FUSE BLOCK (J/B)
Connector Type	M02FB-LC



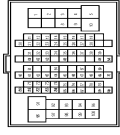
Terminal No.	Color Of Wire	Signal Name [Specification]
1E	G	-

Connector No.	E103
Connector Name	FUSE BLOCK (J/B)
Connector Type	NS16FW-GS



Terminal No.	Color Of Wire	Signal Name [Specification]
1F	SB	-
2F	W	-
4F	G	-
6F	BR	-
8F	L	-
9F	R	-

Connector No.	E106
Connector Name	WIRE TO WIRE
Connector Type	TH80FW-GS (6-TM4)



Terminal No.	Color Of Wire	Signal Name [Specification]
1	R	-
2	W	-
3	B	-
4	GR	-
5	GR	-
8	Y	-
9	BR	-
10	BG	-
11	SB	-
12	BG	-
13	L	-
14	R	-
15	P	-
16	V	-
17	SB	-
18	V	-
20	BG	-
21	L	-
22	V	-
23	G	-
24	P	-
25	Y	-
26	V	-
27	W	-
28	G	-
31	BG	-

POWER SUPPLY ROUTING CIRCUIT

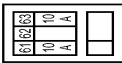
< DTC/CIRCUIT DIAGNOSIS >

[POWER SUPPLY & GROUND CIRCUIT]

BATTERY POWER SUPPLY

Terminal Color Of No.	Wire	Signal Name [Specification]
2	Y	-

Connector No.	E213
Connector Name	FUSE AND FUSIBLE LINK BLOCK
Connector Type	243380, CF000



Terminal Color Of No.	Wire	Signal Name [Specification]
61	EG	-
63	W	-

Connector No.	E7
Connector Name	SWP GAUSTR-PURGE VOLUME CONTROL SOLENOID NAME
Connector Type	E02FLRS-LGY



Terminal Color Of No.	Wire	Signal Name [Specification]
1	R	-
2	GR	-

Connector No.	F9
Connector Name	CONDENSER
Connector Type	M02FW-LC



Terminal Color Of No.	Wire	Signal Name [Specification]
1	W	-
2	B	-

Connector No.	F11
Connector Name	IGNITION COIL No. 1 (WITH POWER TRANSISTOR)
Connector Type	E03FGY-RS



Terminal Color Of No.	Wire	Signal Name [Specification]
1	Y	-
2	B	-
3	W	-

Connector No.	F12
Connector Name	IGNITION COIL No. 2 (WITH POWER TRANSISTOR)
Connector Type	E03FGY-RS



Terminal Color Of No.	Wire	Signal Name [Specification]
1	G	-
2	B	-
3	W	-

Connector No.	F13
Connector Name	IGNITION COIL No. 3 (WITH POWER TRANSISTOR)
Connector Type	E03FGY-RS



Terminal Color Of No.	Wire	Signal Name [Specification]
1	L	-
2	B	-
3	W	-

Connector No.	F14
Connector Name	IGNITION COIL No. 4 (WITH POWER TRANSISTOR)
Connector Type	E03FGY-RS



Terminal Color Of No.	Wire	Signal Name [Specification]
1	GR	-
2	B	-
3	W	-

Connector No.	F15
Connector Name	IGNITION COIL No. 5 (WITH POWER TRANSISTOR)
Connector Type	E03FGY-RS



Terminal Color Of No.	Wire	Signal Name [Specification]
1	V	-
2	B	-
3	W	-

JRMWE9754GB

POWER SUPPLY ROUTING CIRCUIT

< DTC/CIRCUIT DIAGNOSIS >

[POWER SUPPLY & GROUND CIRCUIT]

BATTERY POWER SUPPLY

Connector No.	F16
Connector Name	IGNITION COILS (4) WITH POWER TRANSISTOR
Connector Type	E03FGY-RS



Terminal No.	Color Of Wire	Signal Name [Specification]
1	SB	-
2	B	-
3	W	-

Connector No.	F28
Connector Name	INTAKE VALVE TIMING CONTROL SOLENOID VALVE (BANK 1)
Connector Type	E02FG-RS-LGY



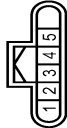
Terminal No.	Color Of Wire	Signal Name [Specification]
1	W	-
2	R	-

Connector No.	F29
Connector Name	INTAKE VALVE TIMING CONTROL SOLENOID VALVE (BANK 2)
Connector Type	E02FG-RS-LGY



Terminal No.	Color Of Wire	Signal Name [Specification]
1	G	-
2	R	-

Connector No.	F31
Connector Name	MASS AIR FLOW SENSOR (BANK 1)
Connector Type	RH06FB



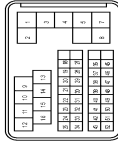
Terminal No.	Color Of Wire	Signal Name [Specification]
1	B	-
2	P	-
3	SB	-
4	LG	-
5	Y	-

Connector No.	F36
Connector Name	ALTERNATOR
Connector Type	HS03FB



Terminal No.	Color Of Wire	Signal Name [Specification]
2	G	L
3	V	S
4	P	C

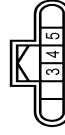
Connector No.	F40
Connector Name	WIRE TO WIRE
Connector Type	SA036FB-RS8-SH28



Terminal No.	Color Of Wire	Signal Name [Specification]
1	L/Y	-
2	SHIELD	-
3	L/B	-
4	SHIELD	-
5	BR	-
7	G	-
8	W	-
9	W	-
10	G	-
11	R	-
12	P	-
13	L	-
14	LG	-
15	BR	-
16	Y	-
18	LG	-
19	P	-

20	O	-
21	Y	-
22	G	-
23	Y	-
24	LG	-
25	V	-
27	GR	-
28	BR	-
29	L	-
30	R	-
31	P	-
32	W	-
33	SB	-
34	O	-
37	SHIELD	-
38	W	-
39	Y	-
40	G	-
41	B	-
42	GR	-
43	R	-
45	O	-
46	SHIELD	-
47	W/L	-
48	LG	-
49	O/L	-
50	L/Y	-
51	W	-
52	L/G	-

Connector No.	F42
Connector Name	MASS AIR FLOW SENSOR (BANK 2)
Connector Type	RH06FB



Terminal No.	Color Of Wire	Signal Name [Specification]
3	BR	-
4	Y	-
5	GR	-

JRMWE9755GB

A
B
C
D
E
F
G
H
I
J
K
L
N
O
P

PG

POWER SUPPLY ROUTING CIRCUIT

< DTC/CIRCUIT DIAGNOSIS >

[POWER SUPPLY & GROUND CIRCUIT]

BATTERY POWER SUPPLY

Connector No.	F51
Connector Name	A/T ASSEMBLY
Connector Type	IRK10FG-DGY



Terminal No.	Color Of Wire	Signal Name [Specification]
1	Y	POWER SUPPLY
2	BR	POWER SUPPLY (MEMORY BACK-UP)
3	O	CAN-H
4	V	K-LINE
5	B	GROUND
6	Y	POWER SUPPLY
7	R	BACK-UP LAMP RELAY
8	LG	CAN-L
9	GR	STARTER RELAY
10	B	GROUND

Connector No.	F101
Connector Name	ECM
Connector Type	RH40FB-R28-L-LH-Z



Terminal No.	Color Of Wire	Signal Name [Specification]
1	W	A/F SENSOR 1 HEATER (BANK 1)
2	G	THROTTLE CONTROL MOTOR (BANK 1) (OPEN)
3	R	THROTTLE CONTROL MOTOR RELAY (POWER SUPPLY) (BANK 1)
4	BR	THROTTLE CONTROL MOTOR (BANK 1) (CLOSE)
5	W	A/F SENSOR 1 HEATER (BANK 2)
8	B	ECM GROUND
11	GR	IGNITION SIGNAL #4
12	V	IGNITION SIGNAL #3
13	V	IGNITION SIGNAL #5
16	G	IGNITION SIGNAL #2

17	P	HEATED OXYGEN SENSOR 2 HEATER (BANK 1)
18	W	IVT CONTROL SOLENOID VALVE B1
19	SB	IGNITION SIGNAL #6
20	Y	IGNITION SIGNAL #1
21	GR	EVAP CANISTER PURGE VALVE CONTROL SOLENOID VALVE
22	R	FUEL PUMP RELAY
24	P	ECM RELAY (SELF SHUT-OFF)
25	O	THROTTLE CONTROL MOTOR RELAY
28	BR	VALVE ACTUATOR RELAY (RIGHT SIDE) (LEVEL CONTROL MODULE)
29	G	IVT CONTROL SOLENOID VALVE (BANK 2)
30	Y	THROTTLE POSITION SENSOR 1 (BANK 1)
31	R	THROTTLE POSITION SENSOR 1 (BANK 2)
33	SB	HEATED OXYGEN SENSOR 2 HEATER (BANK 2)
34	B	THROTTLE POSITION SENSOR 2 (BANK 1)
35	W	THROTTLE POSITION SENSOR 2 (BANK 2)
36	O	SENSOR GROUND
37	W	CRANKSHAFT POSITION SENSOR
38	O	MANIFOLD ABSOLUTE PRESSURE MAP SENSOR
39	D	BRAKE BOOSTER PRESSURE SENSOR
40	R	SENSOR GROUND (THROTTLE POSITION SENSOR (BANK 1))
43	G	SENSOR GROUND (THROTTLE POSITION SENSOR (BANK 2))
44	L	SENSOR GROUND (VALVE ACTUATOR RELAY (BANK 1))
46	R	SENSOR POWER SUPPLY (Crankshaft position sensor (POS))
47	Y	SENSOR GROUND (Crankshaft position sensor (POS))
48	B	SENSOR GROUND (THROTTLE POSITION SENSOR (BANK 2))

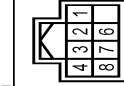
Connector No.	F102
Connector Name	ECM
Connector Type	RH40FB-R28-L-LH-Z



Terminal No.	Color Of Wire	Signal Name [Specification]
49	GR	THROTTLE CONTROL MOTOR (CLOSE) (BANK 2)
50	V	THROTTLE CONTROL MOTOR (BANK 2) (OPEN)
52	R	THROTTLE CONTROL MOTOR RELAY (POWER SUPPLY) (BANK 2)
53	W	IGNITION SWITCH
54	Y	CAN COMMUNICATION LINE (LEVEL CONTROL MODULE)
55	LG	CAN COMMUNICATION LINE (LEVEL CONTROL MODULE)
57	L	A/F SENSOR 1 (BANK 1)
59	O	CANSAFET POSITION SENSOR (BANK 1)
60	G	SENSOR POWER SUPPLY

61	R	A/F SENSOR 1 (BANK 1)
63	L	CAMSHAFT POSITION SENSOR (BANK 2)
64	SB	SENSOR POWER SUPPLY
65	LG	A/F SENSOR 1 (BANK 2)
66	V	A/F SENSOR 1 (BANK 2)
67	P	INTAKE AIR TEMPERATURE SENSOR
68	LG	SENSOR GROUND
69	W	KNOCK SENSOR (BANK 2)
71	Y	ENGINE COOLANT TEMPERATURE SENSOR
72	SHIELD	SENSOR GROUND (KNOCK SENSOR)
73	W	KNOCK SENSOR (BANK 1)
76	W	HEATED OXYGEN SENSOR 2 (BANK 1)
77	SB	MASS AIR FLOW SENSOR (BANK 1)
78	G	ENGINE OIL TEMPERATURE SENSOR
79	BR	MASS AIR FLOW SENSOR (BANK 2)
80	O	HEATED OXYGEN SENSOR 2 (BANK 2)
81	R	FUEL INJECTOR #3
82	V	SENSOR GROUND
84	B	SENSOR GROUND #6
85	BR	FUEL INJECTOR #6
86	W	FUEL INJECTOR #9
87	Y	POWER STEERING PRESSURE SENSOR
89	GR	FUEL INJECTOR #1
90	O	FUEL INJECTOR #1
91	SB	BATTERY CURRENT SENSOR
92	G	SENSOR GROUND (CAMSHAFT POSITION SENSOR (BANK 2))
93	P	POWER SUPPLY FOR ECM (BACK-UP)
94	Y	SENSOR GROUND (MASS AIR FLOW SENSOR (BANK 2))
95	G	SENSOR GROUND (BATTERY CURRENT SENSOR)
96	P	SENSOR GROUND

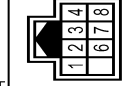
Connector No.	F104
Connector Name	WIRE TO WIRE
Connector Type	TH08FV-NH



Terminal No.	Color Of Wire	Signal Name [Specification]
1	P	-
2	V	-
3	L	-
4	Y	-

6	GR	-
7	R	-
8	O	-

Connector No.	F105
Connector Name	WIRE TO WIRE
Connector Type	TH08FV-NH



Terminal No.	Color Of Wire	Signal Name [Specification]
1	P	-
2	V	-
3	L	-
4	Y	-
6	GR	-
7	R	-
8	O	-

Connector No.	F108
Connector Name	AWD CONTROL UNIT
Connector Type	TH18FV-NH



Terminal No.	Color Of Wire	Signal Name [Specification]
1	BR	AWD SOL (+)
2	Y	AWD SOL (-)
3	W	FLUID TEMP (+)
7	G	IGN
8	L	CAN-H
9	O	AWD SOL BATT
10	B	GROUND
11	GR	GROUND

POWER SUPPLY ROUTING CIRCUIT

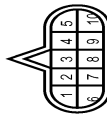
< DTC/CIRCUIT DIAGNOSIS >

[POWER SUPPLY & GROUND CIRCUIT]

BATTERY POWER SUPPLY

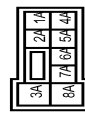
13	LG	FLUID TEMP (+)
15	Y	BATTERY POWER SUPPLY
16	P	CANL

Connector No.	F301
Connector Name	TCM (TRANSMISSION CONTROL MODULE)
Connector Type	SPT0FG



Terminal No.	Color Of Wire	Signal Name [Specification]
1	-	POWER SUPPLY
2	-	POWER SUPPLY (MEMORY BACK-UP)
3	-	CANL
4	-	K LINE
5	-	GROUND
6	-	POWER SUPPLY
7	-	BACK-UP LAMP RELAY
8	-	CANL
9	-	STARTER RELAY
10	-	GROUND

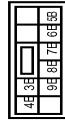
Connector No.	M1
Connector Name	FUSE BLOCK (JIB)
Connector Type	NS08FW-MZ



Terminal No.	Color Of Wire	Signal Name [Specification]
1A	GR	-
2A	G	-
3A	L	-
4A	P	- [For push button]
4A	R	- [For key slot]

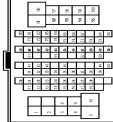
5A	V	-
6A	Y	-
7A	R	-
8A	L	-

Connector No.	M2
Connector Name	FUSE BLOCK (JIB)
Connector Type	NS10FW-GS



Terminal No.	Color Of Wire	Signal Name [Specification]
3B	P	-
4B	G	-
5B	BG	-
6B	Y	-
7B	P	-
8B	R	-
9B	SB	-

Connector No.	M6
Connector Name	WIRE TO WIRE
Connector Type	TI-80MM-GS16-TM4



Terminal No.	Color Of Wire	Signal Name [Specification]
1	W	-
2	B	-
3	S	-
4	SHIELD	-
5	G	-
8	Y	-
9	BR	-

10	R	-
11	BR	-
12	BG	-
13	L	-
14	R	-
15	P	-
16	V	-
17	SB	-
18	V	-
20	BG	-
21	L	-
22	W	-
23	P	-
24	BR	-
25	Y	-
26	V	-
27	G	-
28	G	-
31	L	-
32	G	-
33	B	-
34	W	-
35	R	-
36	SHIELD	-
37	V	-
38	BG	-
39	BR	-
41	W	-
42	BG	-
43	BG	-
45	W	-
50	P	-
51	BR	-
54	Y	-
57	G	-
59	W	-
60	L	-
61	G	-
62	SB	-
63	G	-
64	B	-
65	B	-
66	R	-
67	SHIELD	-
68	Y	-
69	GR	-
70	LG	-
71	LG	-
72	Y	-

73	SB	-
74	BR	- [With ICC]
74	L	- [Without ICC]
75	G	-
76	GR	- [Without ICC]
76	W	- [With ICC]
77	P	- [Without ICC]
77	R	- [With ICC]
78	L	- [Without ICC]
78	R	- [With ICC]
79	W	- [Without ICC]
79	Y	- [With ICC]
80	SB	-
81	SB	-
82	SB	-
83	V	-
84	V	-
84	G	-
85	L	-
86	P	-
87	W	-
89	GR	-
90	SHIELD	-
91	W	-
92	Y	-
93	BR	-
94	P	-
95	GR	-
96	W	-
97	L	-
98	SHIELD	-
99	V	-
100	SB	-

Connector No.	M19
Connector Name	VDC OFF SWITCH
Connector Type	TK08FGY



JRMWE9757GB

A
B
C
D
E
F
G
H
I
J
K
L
N
O
P

PG

POWER SUPPLY ROUTING CIRCUIT

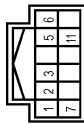
< DTC/CIRCUIT DIAGNOSIS >

[POWER SUPPLY & GROUND CIRCUIT]

BATTERY POWER SUPPLY

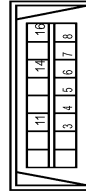
Terminal No.	Color Of Wire	Signal Name [Specification]
1	LG	-
2	B	-
3	R	-
4	W	-

Connector No.	M22
Connector Name	KEY SLOT
Connector Type	TH12FW-NH



Terminal No.	Color Of Wire	Signal Name [Specification]
1	R	BAT
2	GR	CLOCK
3	W	DATA
5	Y	ILL BAT
6	LG	ILL
7	B	GROUND
11	BR	KEY SWITCH SIGNAL

Connector No.	M24
Connector Name	DATA LINK CONNECTOR
Connector Type	BD16FW



Terminal No.	Color Of Wire	Signal Name [Specification]
3	LG	-
4	B	-
5	B	-
6	L	-
7	V	-

Terminal No.	Color Of Wire	Signal Name [Specification]
8	G	-
11	SB	-
14	P	-
16	Y	-

Connector No.	M29
Connector Name	WARNING SYSTEMS SWITCH
Connector Type	TK08FGY



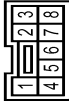
Terminal No.	Color Of Wire	Signal Name [Specification]
2	SB	-
3	W	-
4	B	-
5	R	-
6	B	-
7	V	-

Connector No.	M35
Connector Name	COMBINATION SWITCH (SPIRAL CABLE)
Connector Type	TK08FY-EX-TV



Terminal No.	Color Of Wire	Signal Name [Specification]
23	R	-
28	Y	-
29	Y	-
30	Y	-

Connector No.	M50
Connector Name	PUSH-BUTTON IGNITION SWITCH
Connector Type	TK08FBR



Terminal No.	Color Of Wire	Signal Name [Specification]
1	B	-
2	W	-
3	W	-
4	BR	-
5	GR	-
6	Y	-
7	V	-
8	P	-

Connector No.	M52
Connector Name	AUTOMATIC DRIVE POSITIONER CONTROL UNIT
Connector Type	INST16FW-CS



Terminal No.	Color Of Wire	Signal Name [Specification]
33	R	POWER SUPPLY (SENSOR)
34	R	BAT (FUSE)
35	L	TILT MOTOR (UPWARD)
36	GR	TELESCOPIC MOTOR (FORWARD)
39	SB	BAT (C/B)
40	B	GNDS (SENSOR)
41	Y	GNDS (SENSOR)
42	BG	TILT MOTOR (DOWNWARD)
44	G	TELESCOPIC MOTOR (BACKWARD)
48	B	GNDS (POWER)

Connector No.	M53
Connector Name	COMBINATION METER
Connector Type	TH10FV-NH



Terminal No.	Color Of Wire	Signal Name [Specification]
1	GR	BATTERY POWER SUPPLY
2	LG	COMMUNICATION SIGNAL (METER-AMP.)
3	GR	COMMUNICATION SIGNAL (AMP-METER)
5	B	GROUND
6	B	ALTERNATOR SIGNAL
7	BR	AIR BAG SIGNAL
10	G	SECURITY SIGNAL
15	B	GROUND
16	B	METER CONTROL SWITCH GROUND
19	B	ILL GND
20	R	ILL
21	BG	IGNITION SIGNAL
22	B	GROUND
24	BR	COMMUNICATION SIGNAL (LCD-AMP.)
25	Y	COMMUNICATION SIGNAL (AMP-LOAD)
26	R	VEHICLE SPEED SIGNAL (8-PULSE)
27	V	PARKING BRAKE SWITCH SIGNAL
28	W	BRAKE FLUID LEVEL SWITCH SIGNAL
29	SB	SEAT BELT BUCKLE SWITCH SIGNAL (DRIVER SIDE)
30	G	SEAT BELT BUCKLE SWITCH SIGNAL (PASSENGER SIDE)
31	L	WASHER LEVEL SWITCH SIGNAL
33	B	ILLUMINATION CONTROL SIGNAL
36	LG	ENTER SWITCH SIGNAL
37	SB	ENTER SWITCH SIGNAL
38	L	TRIP AB RESET SWITCH SIGNAL
39	P	ILLUMINATION CONTROL SWITCH SIGNAL (L)
40	BG	ILLUMINATION CONTROL SWITCH SIGNAL (+)

POWER SUPPLY ROUTING CIRCUIT

< DTC/CIRCUIT DIAGNOSIS >

[POWER SUPPLY & GROUND CIRCUIT]

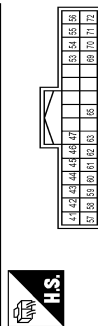
BATTERY POWER SUPPLY

Connector No.	M62
Connector Name	CIRCUIT BREAKER
Connector Type	M02FW-PLC



Terminal No.	Color Of Wire	Signal Name (Specification)
1	W	-
2	SB	-

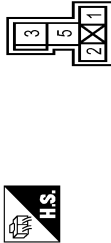
Connector No.	M67
Connector Name	UNIFIED METER AND A/C AMP.
Connector Type	TH32FW-NH



Terminal No.	Color Of Wire	Signal Name (Specification)
41	V	ACC POWER SUPPLY
42	Y	FUEL LEVEL SENSOR SIGNAL
43	R	INTAKE SENSOR SIGNAL
44	LG	IN-VEHICLE SENSOR SIGNAL
45	P	AMBIENT SENSOR SIGNAL
46	BG	SUNLOAD SENSOR SIGNAL
47	G	EMERGENCY FLASHER (HORN) BATTERY SENSOR SIGNAL
53	G	IGNITION POWER SUPPLY
54	Y	BATTERY POWER SUPPLY
55	B	GROUND
56	L	CANH
57	W	BRAKE FLUID LEVEL SWITCH SIGNAL
58	BR	FUEL LEVEL SENSOR GROUND
59	GR	INTAKE SENSOR GROUND
60	TL	IN-VEHICLE SENSOR GROUND
61	BR	AMBIENT SENSOR GROUND
62	SB	SUNLOAD SENSOR GROUND
63	R	-

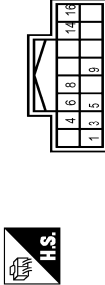
65	BG	ECV SIGNAL
69	L	A/C LAMP SIGNAL
70	R	EACH DOOR MOTOR POWER SUPPLY
71	B	GROUND
72	P	CAN-L

Connector No.	M70
Connector Name	HEATED SEAT RELAY
Connector Type	MS02FL-M2-LC



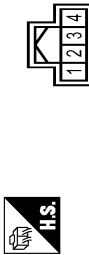
Terminal No.	Color Of Wire	Signal Name (Specification)
1	W	-
2	W	-
3	G	-
5	L	-

Connector No.	M72
Connector Name	MULTIFUNCTION SWITCH
Connector Type	TH16FW-NH



Terminal No.	Color Of Wire	Signal Name (Specification)
1	B	GROUND
3	V	ACC
4	R	ILL
5	Y	ILL CONT
6	SB	AV COMM (H)
8	LG	AV COMM (L)
9	B	SW GND
14	Y	DISK EFFECT SIGNAL
16	G	HAZARD ON

Connector No.	M74
Connector Name	CLOCK
Connector Type	TH04FW-NH



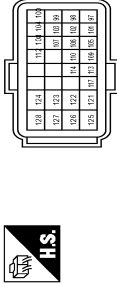
Terminal No.	Color Of Wire	Signal Name (Specification)
1	B	ILLUMINATION (-)
2	R	ILLUMINATION (+)
3	D	GROUND
4	Y	BAT

Connector No.	M102
Connector Name	GLOVE BOX LAMP
Connector Type	A02FW



Terminal No.	Color Of Wire	Signal Name (Specification)
1	R	-
2	B	-

Connector No.	M107
Connector Name	ECM
Connector Type	RH24FY-R28-R-LHZ



Terminal No.	Color Of Wire	Signal Name (Specification)
97	R	ACCELERATOR PEDAL POSITION SENSOR 1
98	P	ACCELERATOR PEDAL POSITION SENSOR 2 (MOTOR)
98	Y	ACCELERATOR PEDAL POSITION SENSOR 2 (MOTOR)
99	G	ENGINE OIL LEVEL (OIL PRESSURE) SENSOR 1 (MOTOR)
99	L	ENGINE OIL LEVEL (OIL PRESSURE) SENSOR 2 (MOTOR)
100	W	SENSOR GROUND (ACCELERATOR PEDAL POSITION SENSOR 1)
101	SB	ASC/DC STEERING SWITCH
102	LG	EVAP CONTROL SYSTEM PRESS SENSOR
103	G	SENSOR GROUND (EVAP CONTROL SYSTEM PRESS SENSOR)
103	L	SENSOR POWER SUPPLY (ACCELERATOR PEDAL POSITION SENSOR 2 (MOTOR))
104	BR	SENSOR GROUND (ACCELERATOR PEDAL POSITION SENSOR 2 (MOTOR))
104	GR	FUEL TANK TEMPERATURE SENSOR
105	L	REFRIGERANT PRESS SENSOR
106	W	SENSOR GROUND (REFRIGERANT PRESS SENSOR)
107	BG	SENSOR POWER SUPPLY (REFRIGERANT PRESS SENSOR)
108	Y	SENSOR GROUND (ASC/DC STEERING SWITCH)
109	G	PNP signal
110	R	ENGINE SPEED OUTPUT SIGNAL
112	V	SENSOR GROUND (EVAP CONTROL SYSTEM PRESS SENSOR)
113	P	CAN COMMUNICATION LINE
114	L	CAN COMMUNICATION LINE
117	V	DATA LINK CONNECTOR
121	LG	EVAP CANISTER VENT CONTROL VALVE
122	P	STOP LAMP SWITCH
123	B	ECM GROUND
124	B	ECM GROUND
125	R	POWER SUPPLY FOR ECM
126	BR	ASC/DC BRAKE SWITCH
127	B	ECM GROUND
128	B	ECM GROUND

A
B
C
D
E
F
G
H
I
J
K
L
PG
N
O
P

JRMWE9759GB

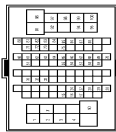
POWER SUPPLY ROUTING CIRCUIT

< DTC/CIRCUIT DIAGNOSIS >

[POWER SUPPLY & GROUND CIRCUIT]

BATTERY POWER SUPPLY

Connector No.	M117
Connector Name	WIRE TO WIRE
Connector Type	TH80MW-CS16-TM4



Terminal No.	Color Of Wire	Signal Name [Specification]
1	L	-
2	G	-
3	GR	-
4	SB	-
7	W	-
10	W	-
15	SB	-
16	V	-
17	BR	-
26	BR	-
27	LG	-
28	Y	-
29	Y	-
30	V	-
31	R	-
32	BR	-
33	G	-
51	R	-
55	W	-
56	B	-
57	R	-
58	G	-
59	SHIELD	-
60	V	-
61	LG	-
62	BR	-
63	L	-
64	LG	-
65	B	-
66	R	-
67	W	-
68	SHIELD	-
69	V	-
70	Y	-
71	SB	-
72	W	-

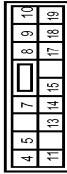
73	G	-
75	W	-
80	V	-
81	SB	-
82	V	-
83	P	-
84	R	-
85	L	-
86	BG	-
87	L	-
88	P	-
91	V	-
92	G	-
94	G	-
95	W	-
96	G	-
97	Y	-
98	BR	-
99	P	-
99	V	- [Without BOSE audio]
100	L	- [With BOSE audio]
100	SB	- [With BOSE audio]

Connector No.	M118
Connector Name	BCM (BODY CONTROL MODULE)
Connector Type	M03FB-LC



Terminal No.	Color Of Wire	Signal Name [Specification]
1	W	BAT (F/L)
2	W	POWER WINDOW POWER SUPPLY (BAT)
3	Y	POWER WINDOW POWER SUPPLY (RAPI)

Connector No.	M119
Connector Name	BCM (BODY CONTROL MODULE)
Connector Type	NS16FM-CS



Terminal No.	Color Of Wire	Signal Name [Specification]
4	LG	INTERIOR ROOM LAMP POWER SUPPLY
5	L	PASSENGER DOOR UNLOCK OUTPUT
7	Y	STEP LAMP CONT
8	V	ALL DOOR FUEL LED LOCK OUTPUT
9	G	DRIVER DOOR FUEL LED UNLOCK OUTPUT
10	BR	REAR DOOR UNLOCK OUTPUT
11	R	BAT (FUSE)
13	B	GROUND
14	W	PUSH-BUTTON IGNITION SW ILL GND
15	Y	ACC IND
17	W	TURN SIGNAL RH (FRONT)
18	BG	TURN SIGNAL LH (FRONT)
19	V	INT ROOM LAMP CONT

Connector No.	M123
Connector Name	BCM (BODY CONTROL MODULE)
Connector Type	TH40FG-NH



Terminal No.	Color Of Wire	Signal Name [Specification]
113	P	OPTICAL SENSOR
116	SB	STOP LAMP SW 1
118	P	STOP LAMP SW 2
119	SB	DR DOOR UNLOCK SENSOR
121	BR	KEY SLOT SW
123	W	IGN/PB
124	LG	PASSENGER DOOR SW

132	BR	POWER WINDOW SW COMM
133	W	PUSH-BUTTON IGNITION SW ILL POWER
134	GR	LOCK IND
137	BG	RECEIVER SENSOR GND
138	Y	RECEIVER SENSOR POWER SUPPLY
139	L	TIRE PRESSURE RECEIVER COMM
140	GR	SHIFT N/P
141	G	SECURITY IND LAMP CONT
142	BG	COMBI SW OUTPUT 5
143	P	COMBI SW OUTPUT 1
144	G	COMBI SW OUTPUT 2
145	L	COMBI SW OUTPUT 3
146	SB	COMBI SW OUTPUT 4
150	LG	DRIVER DOOR SW
151	G	REAR WINDOW DEFOGGER RELAY CONT

Connector No.	M132
Connector Name	FRONT POWER SOCKET
Connector Type	NS03FM-CS




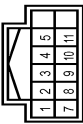














Terminal No.	Color Of Wire	Signal Name [Specification]
1	B	-
2	R	-
3	P	-

POWER SUPPLY ROUTING CIRCUIT

< DTC/CIRCUIT DIAGNOSIS >

[POWER SUPPLY & GROUND CIRCUIT]

BATTERY POWER SUPPLY

Connector No.	M137	Connector Name	A/T SHIFT SELECTOR
Connector Type	TH12FV-NH		
 			
Terminal No.	Wire	Signal Name [Specification]	
1	W	-	
2	Y	-	
3	B	-	
4	B	-	
5	G	-	
7	R	-	
8	SB	-	
9	B	-	
10	GR	-	
11	R	-	
Connector No.	M174	Connector Name	POWER RETURN SWITCH (LH)
Connector Type	TK04FV		
 			
Terminal No.	Wire	Signal Name [Specification]	
1	Y	-	
2	BR	-	
3	R	-	
4	B	-	
Connector No.	M175	Connector Name	POWER RETURN SWITCH (RH)
Connector Type	TK04FV-B		
 			
Terminal No.	Wire	Signal Name [Specification]	
1	GR	-	
2	L	-	
3	G	-	
4	V	-	
Connector No.	M176	Connector Name	SNOW MODE SWITCH
Connector Type	TK08FW		
 			
Terminal No.	Wire	Signal Name [Specification]	
1	BR	-	
2	B	-	
4	Y	-	
5	P	-	
6	SB	-	
Connector No.	M177	Connector Name	HEATED SEAT SWITCH (DRIVER SIDE)
Connector Type	TK10FW		
 			
Terminal No.	Wire	Signal Name [Specification]	
1	GR	-	
2	B	-	
3	W	-	
4	W	-	
5	W	-	
6	B	-	
Connector No.	M178	Connector Name	HEATED SEAT SWITCH (PASSENGER SIDE)
Connector Type	TK08FBR		
 			
Terminal No.	Wire	Signal Name [Specification]	
1	SB	-	
2	GR	-	
3	R	-	
4	W	-	
5	W	-	
6	B	-	
Connector No.	M187	Connector Name	IBA OFF SWITCH
Connector Type	TK08FGY		
 			
Terminal No.	Wire	Signal Name [Specification]	
4	Y	-	
5	BG	-	
6	B	-	
7	SB	-	
Connector No.	M195	Connector Name	DISPLAY UNIT
Connector Type	TH24FV-NH		
 			
Terminal No.	Wire	Signal Name [Specification]	
6	SHIELD	SHIELD	
7	SHIELD	CAMERA IMAGE SIGNAL GND	
8	W	CAMERA IMAGE SIGNAL	
9	G	COMM (DISP-CONT)	
10	R	COMM (CONT-DISP)	
11	Y	BATTERY GROUND	
12	B	GROUND	
18	R	COMPOSITE IMAGE SIGNAL	
19	G	COMPOSITE IMAGE SIGNAL GND	
22	SHIELD	SHIELD	
23	V	ACC	

JRMWE9761GB

A
B
C
D
E
F
G
H
I
J
K
L
N
O
P

PG

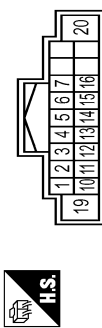
POWER SUPPLY ROUTING CIRCUIT

< DTC/CIRCUIT DIAGNOSIS >

[POWER SUPPLY & GROUND CIRCUIT]

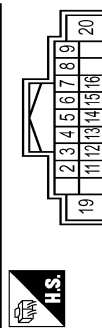
BATTERY POWER SUPPLY

Connector No.	M189
Connector Name	AV CONTROL UNIT
Connector Type	NH18FW-CS2



Terminal No.	Color Of Wire	Signal Name [Specification]
1	W	AMP_ON
2	R	FR_LH_PRE/SP+
3	G	FR_LH_PRE/SP-
4	BR	FR_LH_PRE/SP+
5	Y	FR_LH_PRE/SP-
6	P	STRG_SW_A
7	V	ACC
10	B	5.1CH_SHIELD
11	P	FR_RH_PRE/SP+
12	L	FR_RH_PRE/SP-
13	V	FR_RH_PRE/SP+
14	LG	FR_RH_PRE/SP-
15	B	STRG_SW_GND
16	L	STRG_SW_B
19	Y	BAT
20	B	GND

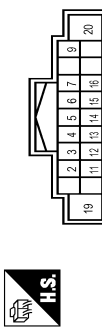
Connector No.	M200
Connector Name	AV CONTROL UNIT
Connector Type	NH18FW-CS2



Terminal No.	Color Of Wire	Signal Name [Specification]
2	BR	FR_LH_SP+
3	R	FR_LH_SP-
4	LG	FR_LH_SP+
5	L	FR_LH_SP-

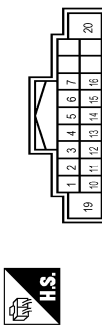
6	P	STRG_SW_A
7	V	ACC
9	R	ILL
11	L	FR_RH_SP+
12	W	FR_RH_SP-
13	L	RR_RH_SP+
14	P	RR_RH_SP-
15	B	STRG_SW_GND
16	L	STRG_SW_B
19	Y	#B
20	B	GND

Connector No.	M201
Connector Name	AV CONTROL UNIT
Connector Type	TH18FW-CS2



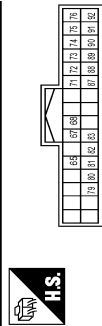
Terminal No.	Color Of Wire	Signal Name [Specification]
2	BR	SOUND SIGNAL FRONT LH(+)
3	R	SOUND SIGNAL FRONT LH(-)
4	LG	SOUND SIGNAL REAR DOOR SPEAKER LH(+)
5	L	SOUND SIGNAL REAR DOOR SPEAKER LH(-)
6	P	STRG_SW_A
7	V	ACC
9	R	ILLUMINATION SIGNAL
11	L	SOUND SIGNAL FRONT RH(+)
12	W	SOUND SIGNAL FRONT RH(-)
13	L	SOUND SIGNAL REAR DOOR SPEAKER RH(+)
14	P	SOUND SIGNAL REAR DOOR SPEAKER RH(-)
15	B	STRG_SW_GND
16	L	STRG_SW_B
19	Y	BATTERY
20	B	GROUND

Connector No.	M208
Connector Name	AV CONTROL UNIT
Connector Type	TH18FW-CS2



Terminal No.	Color Of Wire	Signal Name [Specification]
1	W	AMP_ON SIGNAL
2	R	SOUND SIGNAL FRONT LH(+)
3	G	SOUND SIGNAL FRONT LH(-)
4	BR	SOUND SIGNAL REAR LH(+)
5	Y	SOUND SIGNAL REAR LH(-)
6	P	STRG_SW_A
7	V	ACC
10	B	SHIELD
11	P	SOUND SIGNAL FRONT RH(+)
12	L	SOUND SIGNAL FRONT RH(-)
13	V	SOUND SIGNAL REAR RH(+)
14	LG	SOUND SIGNAL REAR RH(-)
15	B	STRG_SW_GND
16	L	STRG_SW_B
19	Y	BATTERY
20	B	GROUND

Connector No.	M210
Connector Name	AV CONTROL UNIT
Connector Type	TH22FM-NH



Terminal No.	Color Of Wire	Signal Name [Specification]
65	V	PARKING BRAKE SIGNAL
67	G	COMPOSITE IMAGE SIGNAL GND
68	R	COMPOSITE IMAGE SIGNAL
71	SHIELD	MICROPHONE SHIELD

72	R	MICROPHONE VCC
73	R	COMM (CONT-DISP)
74	P	GAN-L
75	LG	AV COMM (L)
76	LG	AV COMM (L)
79	R	ILLUMINATION
80	G	IGNITION SIGNAL
81	BG	REVERSE SIGNAL
82	R	VEHICLE SPEED SIGNAL (8-PULSE)
83	SHIELD	SHIELD
87	G	MICROPHONE SIGNAL
88	SHIELD	SHIELD
89	G	COMM (DISP-CONT)
90	L	CANH
91	SB	AV COMM (H)
92	SB	AV COMM (H)

Connector No.	R3
Connector Name	AUTO ANTI-GLAZING INSIDE MIRROR
Connector Type	TH10FB-NH



Terminal No.	Color Of Wire	Signal Name [Specification]
6	BR	IGN
8	B	GROUND
10	G	BAT

POWER SUPPLY ROUTING CIRCUIT

< DTC/CIRCUIT DIAGNOSIS >

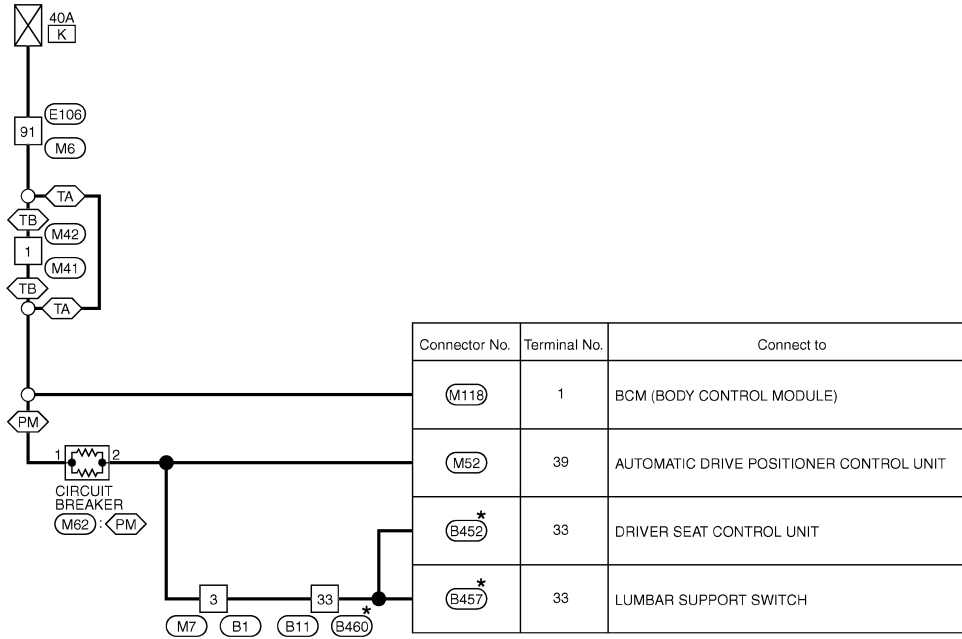
[POWER SUPPLY & GROUND CIRCUIT]

Wiring Diagram - BATTERY POWER SUPPLY FUSIBLE LINK No. K -

INFOID:000000008286440

BATTERY POWER SUPPLY FUSIBLE LINK No. K

TA TB : Refer to "Connector Information" in "HOW TO READ WIRING DIAGRAMS" in "GENERAL INFORMATION".
PM : With automatic drive positioner



*: This connector is not shown in "Harness Layout".

2013/11/22

JRMWE9541GB

A
B
C
D
E
F
G
H
I
J
K
L
PG
N
O
P

POWER SUPPLY ROUTING CIRCUIT

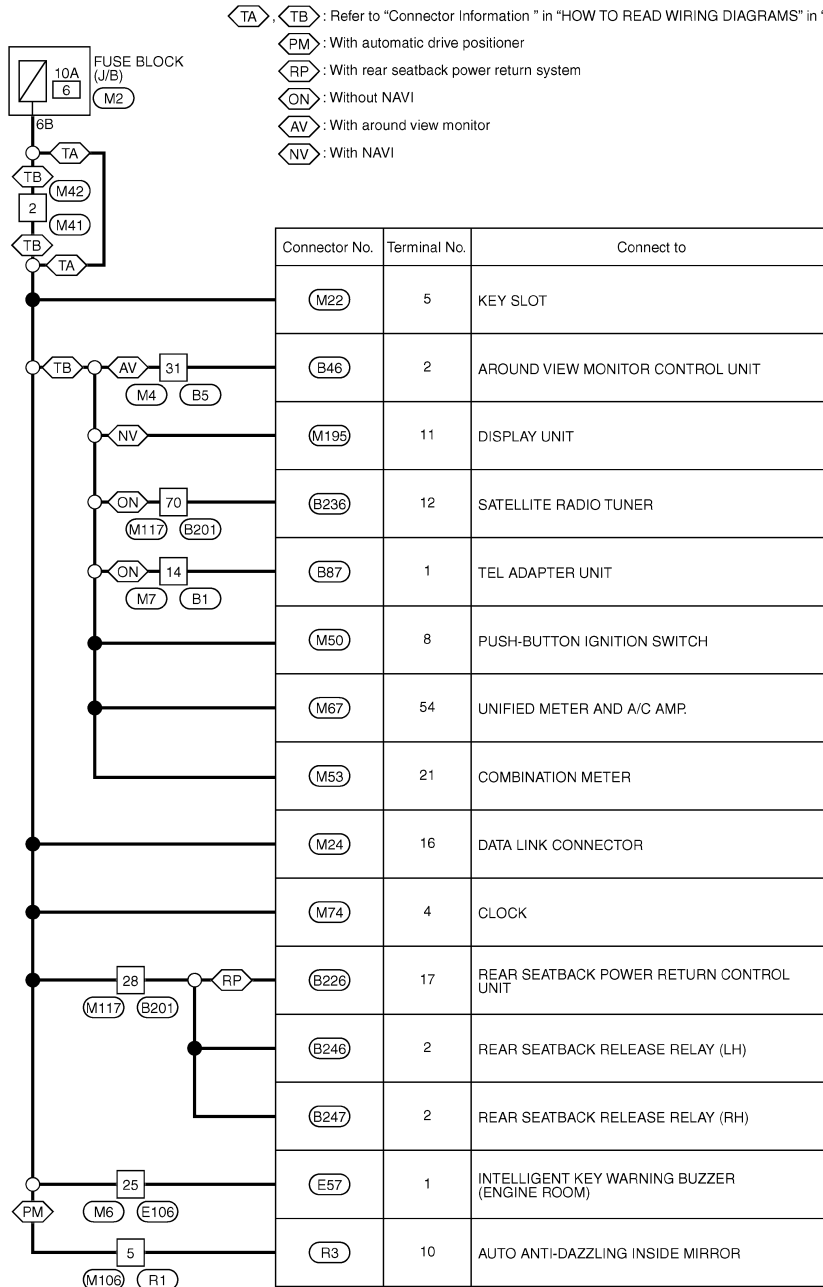
< DTC/CIRCUIT DIAGNOSIS >

[POWER SUPPLY & GROUND CIRCUIT]

Wiring Diagram - BATTERY POWER SUPPLY FUSE No. 6 -

INFOID:000000008286441

BATTERY POWER SUPPLY FUSE No. 6



2013/11/22

JRMWE9542GB

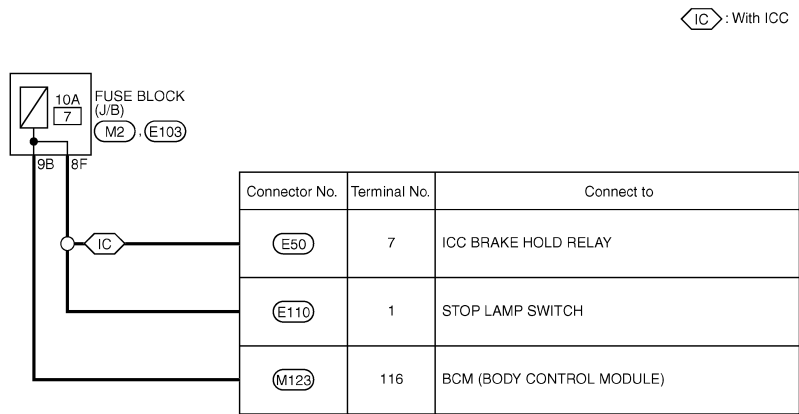
POWER SUPPLY ROUTING CIRCUIT

< DTC/CIRCUIT DIAGNOSIS >

[POWER SUPPLY & GROUND CIRCUIT]

Wiring Diagram - BATTERY POWER SUPPLY FUSE No. 7 - BATTERY POWER SUPPLY FUSE No. 7

INFOID:000000008286442



A
B
C
D
E
F
G
H
I
J
K
L
PG
N
O
P

2008/08/28

JCMWA3162GB

POWER SUPPLY ROUTING CIRCUIT

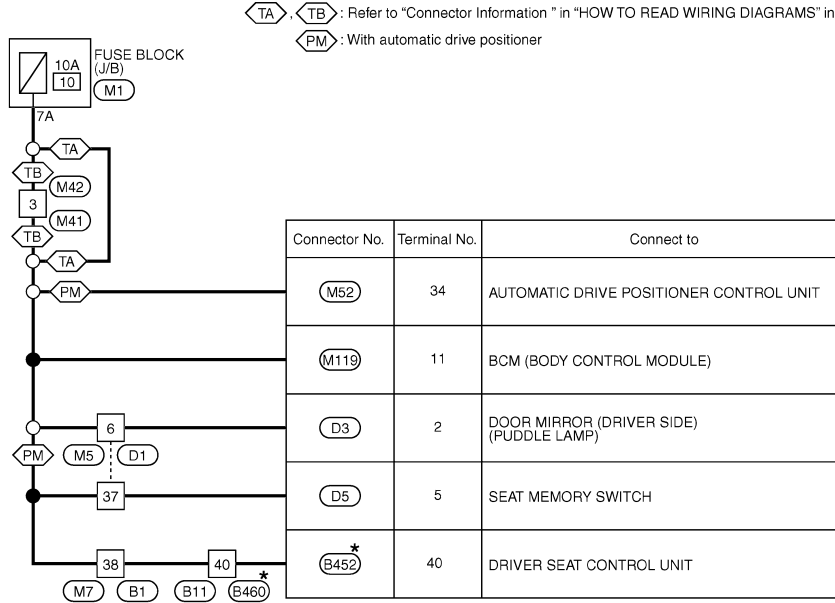
< DTC/CIRCUIT DIAGNOSIS >

[POWER SUPPLY & GROUND CIRCUIT]

Wiring Diagram - BATTERY POWER SUPPLY FUSE No. 10 -

INFOID:000000008286443

BATTERY POWER SUPPLY FUSE No. 10



*: This connector is not shown in "Harness Layout".

2013/11/22

JRMWE9543GB

POWER SUPPLY ROUTING CIRCUIT

< DTC/CIRCUIT DIAGNOSIS >

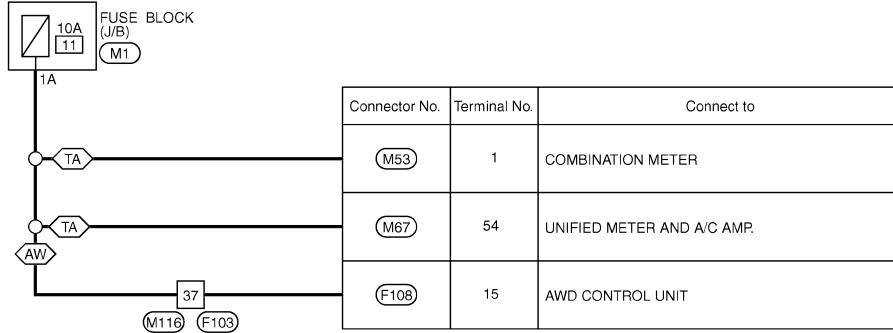
[POWER SUPPLY & GROUND CIRCUIT]

Wiring Diagram - BATTERY POWER SUPPLY FUSE No. 11 -

INFOID:000000008286444

BATTERY POWER SUPPLY FUSE No. 11

TA , TB : Refer to "Connector Information " in "HOW TO READ WIRING DIAGRAMS" in "GENERAL INFORMATION".
AW : AWD models



A
B
C
D
E
F
G
H
I
J
K
L
PG
N
O
P

2013/11/22

JRMWE9544GB

POWER SUPPLY ROUTING CIRCUIT


< DTC/CIRCUIT DIAGNOSIS >

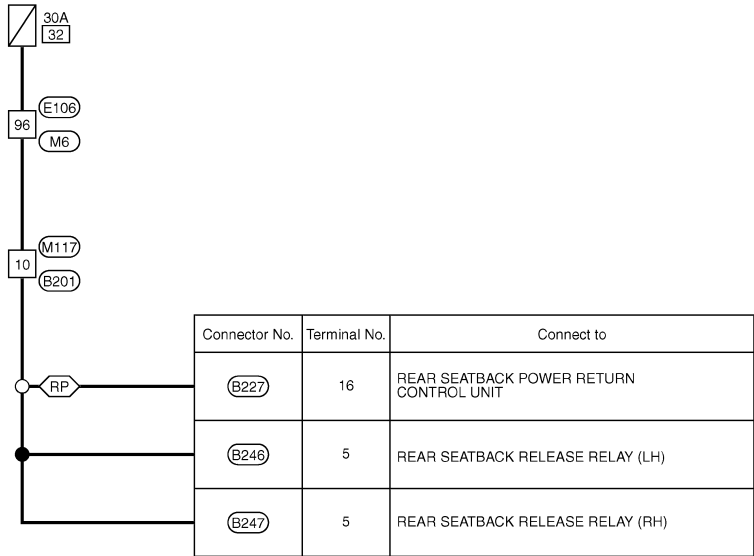
[POWER SUPPLY & GROUND CIRCUIT]

Wiring Diagram - BATTERY POWER SUPPLY FUSE No. 32 -

INFOID:000000008286445

BATTERY POWER SUPPLY FUSE No. 32

 : With rear seatback power return system



2008/08/28

JCMWA3167GB

POWER SUPPLY ROUTING CIRCUIT

< DTC/CIRCUIT DIAGNOSIS >

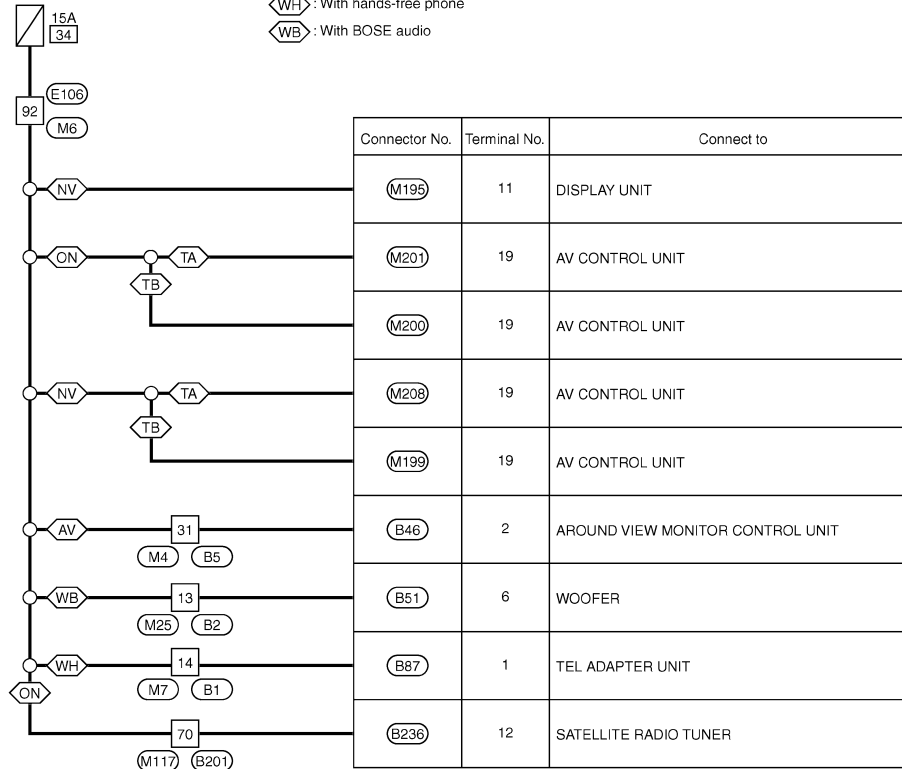
[POWER SUPPLY & GROUND CIRCUIT]

Wiring Diagram - BATTERY POWER SUPPLY FUSE No. 34 -

INFOID:000000008286446

BATTERY POWER SUPPLY FUSE No. 34

- ◁TA▷, ▷TB▷ : Refer to "Connector Information" in "HOW TO READ WIRING DIAGRAMS" in "GENERAL INFORMATION".
- ◁NV▷ : With NAVI
- ◁ON▷ : Without NAVI
- ◁AV▷ : With around view monitor
- ◁WH▷ : With hands-free phone
- ◁WB▷ : With BOSE audio



A
B
C
D
E
F
G
H
I
J
K
L
PG
N
O
P

2013/11/22

JRMWE9545GB

POWER SUPPLY ROUTING CIRCUIT

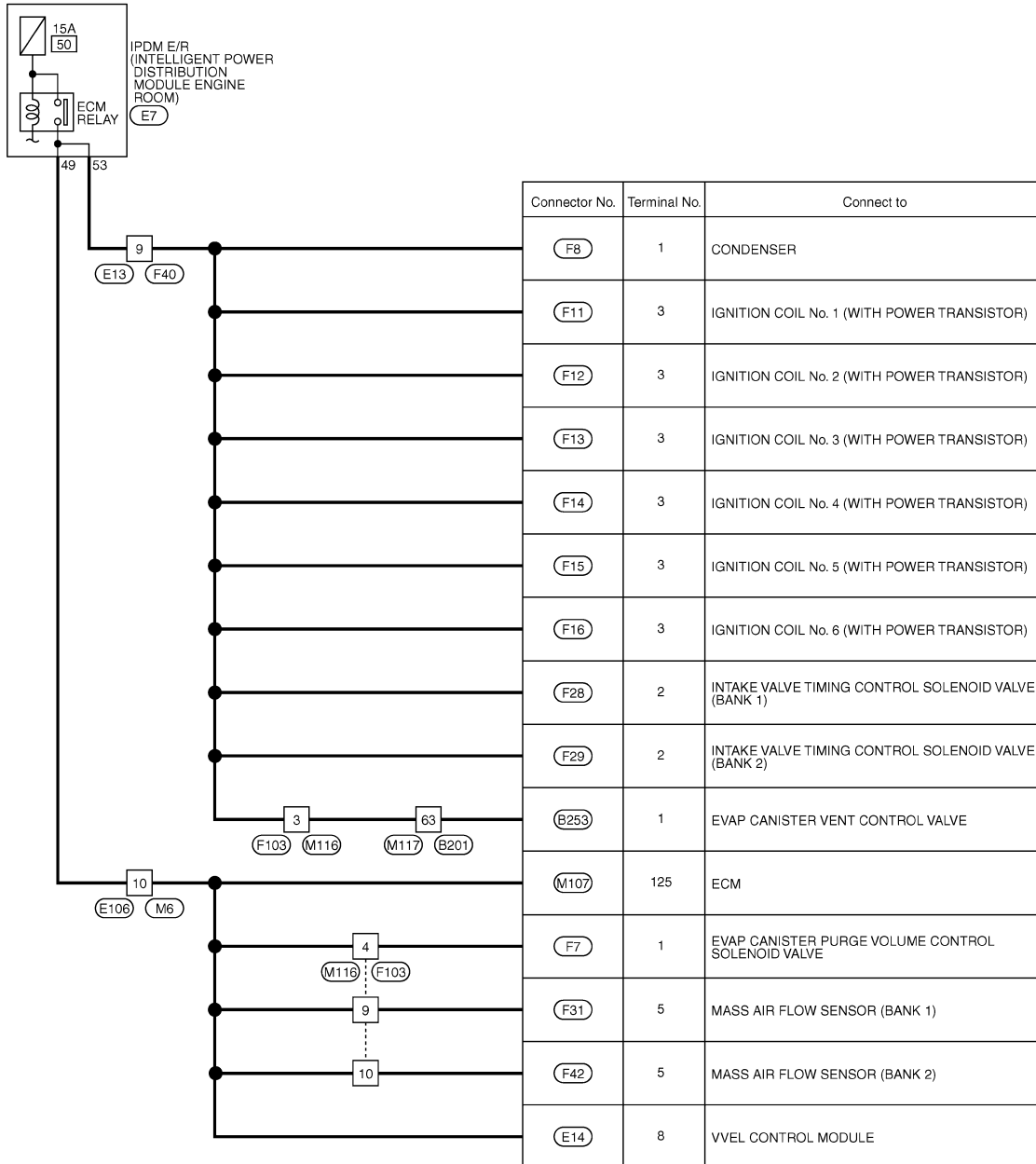
< DTC/CIRCUIT DIAGNOSIS >

[POWER SUPPLY & GROUND CIRCUIT]

Wiring Diagram - BATTERY POWER SUPPLY FUSE No. 50 -

INFOID:000000008286447

BATTERY POWER SUPPLY FUSE No. 50



2012/06/11

JRMWD2729GB

POWER SUPPLY ROUTING CIRCUIT

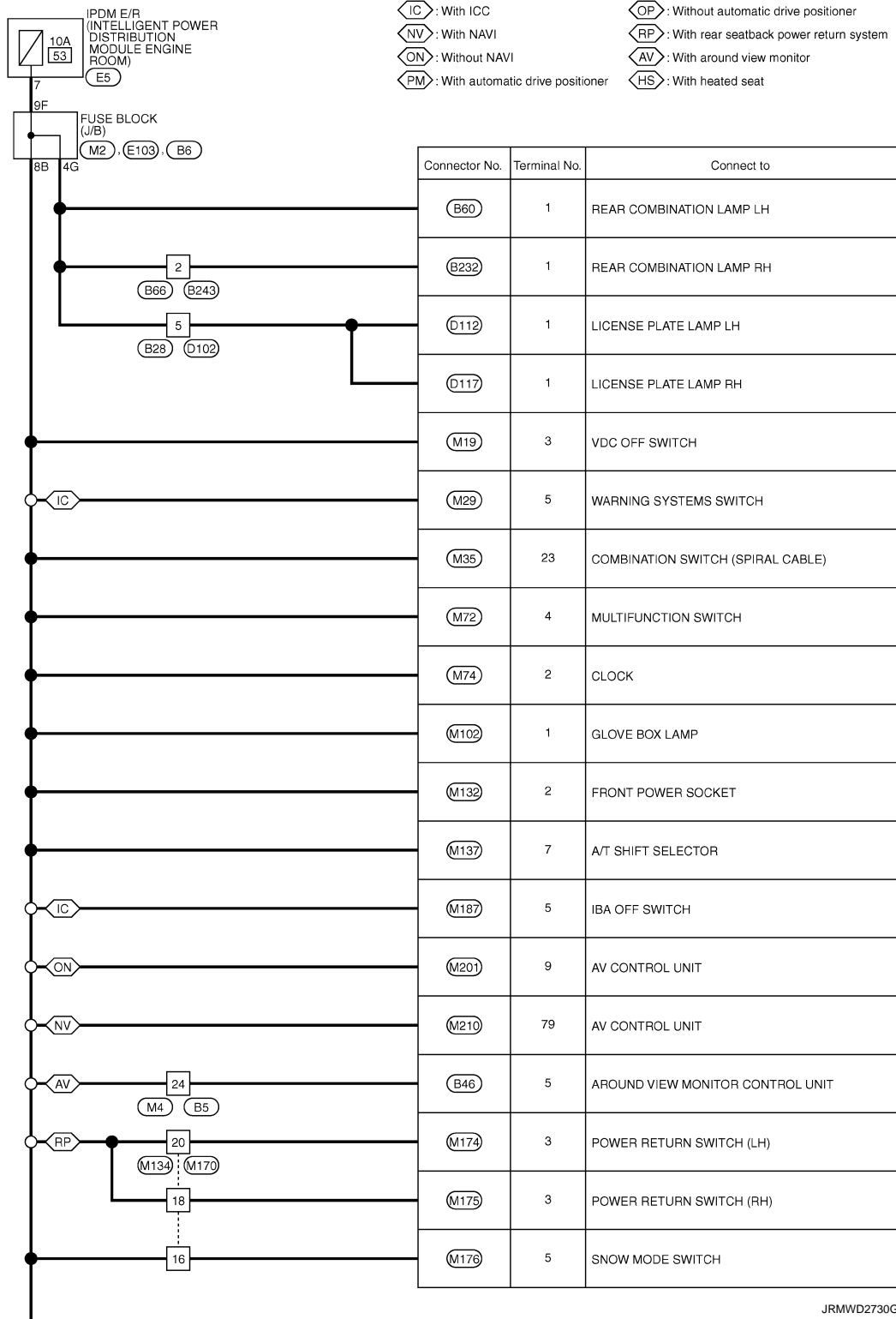
[POWER SUPPLY & GROUND CIRCUIT]

< DTC/CIRCUIT DIAGNOSIS >

Wiring Diagram - BATTERY POWER SUPPLY FUSE No. 53 -

INFOID:00000000286448

BATTERY POWER SUPPLY FUSE No. 53



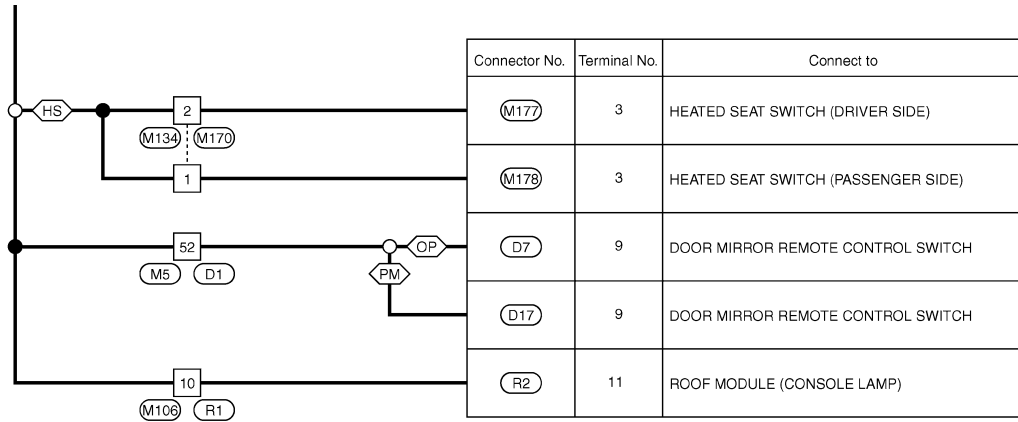
JRMWD2730GB

A
B
C
D
E
F
G
H
I
J
K
L
PG
N
O
P

POWER SUPPLY ROUTING CIRCUIT

< DTC/CIRCUIT DIAGNOSIS >

[POWER SUPPLY & GROUND CIRCUIT]



2012/06/11

JRMWD2731GB

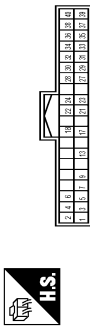
POWER SUPPLY ROUTING CIRCUIT

[POWER SUPPLY & GROUND CIRCUIT]

< DTC/CIRCUIT DIAGNOSIS >

ACCESSORY POWER SUPPLY

Connector No.	B46
Connector Name	ROUND VIEW/MONITOR CONTROL UNIT
Connector Type	TH40FTV-NH



Terminal No.	Color Of Wire	Signal Name [Specification]
1	B	GROUND
2	Y	BATTERY
3	P	IGNITION SIGNAL
4	GR	ACC
5	RG	ILLUMINATION SIGNAL
6	SB	VEHICLE SPEED SIGNAL (PULSE)
7	V	REVERSE SIGNAL
8	B	CONTROL SIGNAL
9	SB	AV COMM (H)
10	LG	AV COMM (L)
11	SB	AV COMM (H)
12	LG	AV COMM (L)
13	G	-
14	W	CAMERA IMAGE SIGNAL
15	SHIELD	CAMERA IMAGE SIGNAL GND
16	Y	SIDE CAMERA RH IMAGE SIGNAL
17	G	SIDE CAMERA RH IMAGE GND
18	SHIELD	SIDE CAMERA RH IMAGE GND
19	B	SIDE CAMERA RH GND
20	W	SIDE CAMERA RH COMM
21	R	SIDE CAMERA RH POWER SUPPLY
22	L	REAR CAMERA COMM
23	BR	REAR CAMERA POWER SUPPLY
24	SHIELD	SHIELD
25	R	REAR CAMERA GND
26	Y	REAR CAMERA IMAGE SIGNAL
27	W	REAR CAMERA IMAGE GND

Connector No.	B37
Connector Name	TEL ADAPTER UNIT
Connector Type	TH32FTV-NH



Terminal No.	Color Of Wire	Signal Name [Specification]
1	GR	BATTERY
2	LG	ACC
3	W	IGNITION SIGNAL
4	B	GROUND
5	BR	MICROPHONE SIGNAL
6	SHIELD	MICROPHONE GND
7	W	TEL VOICE SIGNAL (+)
8	B	TEL VOICE SIGNAL (-)
9	B	CONTROL SIGNAL
10	B	CONTROL SIGNAL
11	B	CONTROL SIGNAL
12	P	VEHICLE SPEED (PULSE)
13	Y	MICROPHONE VCC

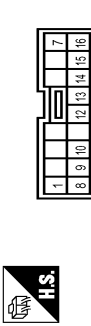
Connector No.	B236
Connector Name	SATELLITE RADIO TUNER
Connector Type	A16FW



Terminal No.	Color Of Wire	Signal Name [Specification]
1	G	SATELLITE RADIO SOUND SIGNAL LH (L)
2	R	SATELLITE RADIO SOUND SIGNAL LH (R)
3	W	SATELLITE RADIO SOUND SIGNAL RH (L)
4	B	SATELLITE RADIO SOUND SIGNAL RH (R)
5	SHIELD	SHIELD
6	SHIELD	SHIELD

Terminal No.	8	L	REQUEST (SAT-CONT)
Terminal No.	9	P	COMM (SAT-CONT)
Terminal No.	10	G	COMM (CONT-SAT)
Terminal No.	12	Y	BATTERY
Terminal No.	16	V	ACC

Connector No.	D7
Connector Name	DOOR MIRROR REMOTE CONTROL SWITCH
Connector Type	TK16FW



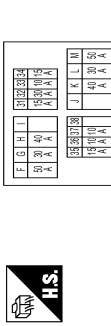
Terminal No.	Color Of Wire	Signal Name [Specification]
1	B	-
2	V	-
3	B	-
4	R	-
5	G	-
6	GR	-
7	P	-
8	O	-
9	W	-
10	G	-
11	GR	-
12	P	-
13	O	-
14	W	-
15	G	-
16	O	-

Connector No.	E2
Connector Name	FUSIBLE LINK HOLDER
Connector Type	LO2FGY-AC



Terminal No.	3	L	-
Terminal No.	4	R	-

Connector No.	E12
Connector Name	FUSE AND FUSIBLE LINK BLOCK
Connector Type	24381-7990A



Terminal No.	Color Of Wire	Signal Name [Specification]
31	LG	-
32	P	-
33	BG	-
34	Y	-
35	R	-
36	R	-
37	BR	-
F	W	-
G	G	-
H	G	-
K	W	-
L	R	-
M	G	-

JRMWE9763GB

POWER SUPPLY ROUTING CIRCUIT

< DTC/CIRCUIT DIAGNOSIS >

[POWER SUPPLY & GROUND CIRCUIT]

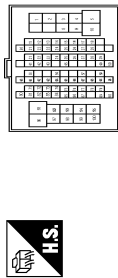
ACCESSORY POWER SUPPLY

Connector No.	E101
Connector Name	FUSE BLOCK (J/B)
Connector Type	L01FW-MC



Terminal Color Of No.	Wire	Signal Name [Specification]
1D	R	-

Connector No.	E106
Connector Name	WIRE TO WIRE
Connector Type	T180FW-CS16-TM4

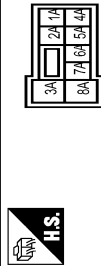


Terminal Color Of No.	Wire	Signal Name [Specification]
1	R	-
2	W	-
3	B	-
4	GR	-
5	Y	-
6	BR	-
7	LG	-
8	SB	-
9	W	-
10	BG	-
11	SB	-
12	BG	-
13	L	-
14	R	-
15	P	-
16	V	-
17	SB	-
18	V	-
20	BG	-
21	L	-
22	V	-

23	G	-
24	P	-
25	Y	-
26	V	-
27	W	-
28	G	-
31	BG	-
32	W	-
33	B	-
34	R	-
35	G	-
36	SHIELD	-
37	V	-
38	BR	-
39	BG	-
41	W	-
42	G	-
43	BR	-
45	W	-
49	L	-
50	P	-
51	L	-
54	BG	-
57	BR	-
59	W	-
60	LG	-
61	G	-
62	SB	-
63	W	-
64	B	-
65	G	-
66	R	-
67	SHIELD	-
68	Y	-
69	LG	-
70	W	-
71	R	-
72	Y	-
73	B	-
74	BR	-
74	L	- [Without ICC]
75	G	-
75	W	- [With ICC]
76	W	- [Without ICC]
76	W	- [With ICC]
78	Y	- [Without ICC]
78	Y	- [With ICC]
77	P	- [Without ICC]
77	R	- [With ICC]
78	BR	- [Without ICC]
78	L	- [With ICC]
79	L	- [Without ICC]

Terminal Color Of No.	Wire	Signal Name [Specification]
79	Y	- [With ICC]
80	SB	-
81	R	-
82	SB	-
83	BG	-
84	G	-
85	L	-
86	P	-
87	V	-
89	GR	-
90	SHIELD	-
91	W	-
92	Y	-
93	V	-
94	LG	-
95	BG	-
96	P	-
97	R	-
98	SHIELD	-
99	L	-
100	P	-

Connector No.	M1
Connector Name	FUSE BLOCK (J/B)
Connector Type	NS06FW-M2



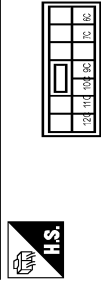
Terminal Color Of No.	Wire	Signal Name [Specification]
1A	GR	-
2A	G	-
3A	L	-
4A	P	-
4A	R	- [For push button]
5A	V	- [For key slot]
6A	Y	-
7A	R	-
8A	L	-

Connector No.	M2
Connector Name	FUSE BLOCK (J/B)
Connector Type	NS10FW-CS



Terminal Color Of No.	Wire	Signal Name [Specification]
3B	P	-
4B	G	-
5B	BG	-
6B	Y	-
7B	P	-
8B	R	-
9B	SB	-

Connector No.	M3
Connector Name	FUSE BLOCK (J/B)
Connector Type	NS12FW-CS



Terminal Color Of No.	Wire	Signal Name [Specification]
10C	L	-
11C	R	-
12C	BG	-
6C	R	-
7C	B	-
9C	BG	-

A
B
C
D
E
F
G
H
I
J
K
L
PG
N
O
P

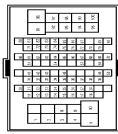
POWER SUPPLY ROUTING CIRCUIT

< DTC/CIRCUIT DIAGNOSIS >

[POWER SUPPLY & GROUND CIRCUIT]

ACCESSORY POWER SUPPLY

Connector No.	M6
Connector Name	WIRE TO WIRE
Connector Type	TH80MW-CS16-TM4



Terminal No.	Color Of Wire	Signal Name [Specification]
1	W	-
2	R	-
3	B	-
4	SHIELD	-
5	G	-
6	Y	-
7	BR	-
8	R	-
9	BR	-
10	R	-
11	BR	-
12	BG	-
13	L	-
14	L	-
15	P	-
16	V	-
17	SB	-
18	V	-
19	BG	-
20	BG	-
21	L	-
22	W	-
23	P	-
24	BR	-
25	Y	-
26	V	-
27	G	-
28	G	-
31	L	-
32	G	-
33	B	-
34	W	-
35	R	-
36	SHIELD	-
37	V	-
38	BG	-
39	BR	-
41	W	-
42	BG	-

43	BG	-
45	W	-
49	L	-
50	P	-
51	BR	-
54	Y	-
57	G	-
59	W	-
60	L	-
61	G	-
62	SB	-
63	G	-
64	B	-
65	W	-
66	R	-
67	SHIELD	-
68	Y	-
69	GR	-
70	LG	-
71	LG	-
72	Y	-
73	SB	-
74	BR	-
75	G	-
76	GR	-
77	P	-
78	L	-
79	W	-
80	SB	-
81	SB	-
82	SB	-
83	V	-
84	G	-
85	L	-
86	P	-
87	W	-
89	GR	-
90	SHIELD	-
91	W	-
92	Y	-
93	BR	-
94	P	-
95	GR	-
96	W	-
97	L	-

98	SHIELD	-
99	V	-
100	SB	-

Connector No.	M41
Connector Name	WIRE TO WIRE
Connector Type	M03MW-LC



Terminal No.	Color Of Wire	Signal Name [Specification]
1	W	-
2	Y	-
3	R	-

Connector No.	M42
Connector Name	WIRE TO WIRE
Connector Type	M03FW-LC



Terminal No.	Color Of Wire	Signal Name [Specification]
1	W	-
2	Y	-
3	R	-

Connector No.	M47
Connector Name	SONAR CONTROL UNIT
Connector Type	TH24FW-NH



Terminal No.	Color Of Wire	Signal Name [Specification]
3	R	CORNER SENSOR SIGNAL FRONT LH
4	W	CORNER SENSOR SIGNAL FRONT RH
5	W	CORNER SENSOR SIGNAL REAR LH
6	R	CORNER SENSOR SIGNAL REAR RH
12	B	SENSOR GND
13	V	ACC
16	V	K LINE
19	G	AV COMM (H)
20	R	AV COMM (L)
24	B	GROUND

Connector No.	M67
Connector Name	UNIFIED METER AND A/C AMP.
Connector Type	TH22FW-NH



Terminal No.	Color Of Wire	Signal Name [Specification]
41	V	ACC POWER SUPPLY
42	Y	FUEL LEVEL SENSOR SIGNAL
43	R	INTAKE SENSOR SIGNAL
44	LG	IN-VEHICLE SENSOR SIGNAL
45	P	AMBIENT SENSOR SIGNAL
46	BG	SUN LOAD SENSOR SIGNAL
47	G	EXHAUST AIR FLOW SENSOR SIGNAL
53	G	IGNITION POWER SUPPLY
54	Y	BATTERY POWER SUPPLY
55	B	GROUND

POWER SUPPLY ROUTING CIRCUIT

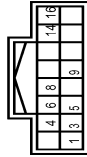
< DTC/CIRCUIT DIAGNOSIS >

[POWER SUPPLY & GROUND CIRCUIT]

ACCESSORY POWER SUPPLY

Terminal No.	Color	Wire	Signal Name (Specification)
56	L	CANH	CANH
57	W	BR	BRAKE FLUID LEVEL SWITCH SIGNAL
58	BR	GR	FUEL LEVEL SENSOR GROUND
59	GR	GR	INTAKE SENSOR GROUND
60	L	BR	IN-VEHICLE SENSOR GROUND
61	BR	GR	AMBIENT SENSOR GROUND
62	SB	GR	SUNLOAD SENSOR GROUND
63	R	-	-
65	BG	ECV	ECV SIGNAL
69	L	ACLAN	AC LAN SIGNAL
70	R	GR	EACH DOOR MOTOR POWER SUPPLY
71	B	GR	GROUND
72	P	CANH	CANH

Connector No.	M172
Connector Name	MULTIFUNCTION SWITCH
Connector Type	TH16FV-N4



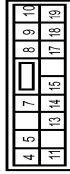
Terminal No.	Color	Wire	Signal Name (Specification)
1	B	GR	GROUND
3	V	ACC	ACC
4	R	ILL	ILL
5	Y	ILLCONT	ILL CONT
6	SB	AV COMM (H)	AV COMM (H)
8	LG	AV COMM (L)	AV COMM (L)
9	B	SW GND	SW GND
14	Y	DISK EJECT SIGNAL	DISK EJECT SIGNAL
16	G	HAZARD ON	HAZARD ON

Connector No.	M118
Connector Name	BCM (BODY CONTROL MODULE)
Connector Type	M03FELC



Terminal No.	Color	Wire	Signal Name (Specification)
1	W	W	BAT (EIL)
2	W	GR	POWER WINDOW POWER SUPPLY (B&T)
3	Y	Y	POWER WINDOW POWER SUPPLY (R&D)

Connector No.	M119
Connector Name	BCM (BODY CONTROL MODULE)
Connector Type	M16FV-CS



Terminal No.	Color	Wire	Signal Name (Specification)
4	LG	LG	INTERIOR ROOM LAMP POWER SUPPLY
5	L	L	PASSENGER DOOR UNLOCK OUTPUT
7	Y	Y	STEP LAMP CONT
8	V	V	ALL DOOR FUEL LID LOCK OUTPUT
9	G	G	DRIVER DOOR FUEL LID UNLOCK OUTPUT
10	BR	R	REAR DOOR UNLOCK OUTPUT
11	R	B	BAT (FUSE)
13	B	GR	GROUND
14	W	Y	PUSH-BUTTON IGNITION SW ILL GND
15	Y	ACC	ACC INH
17	W	W	TURN SIGNAL RH (FRONT)
18	BG	BG	TURN SIGNAL LH (FRONT)
19	V	V	INT ROOM LAMP CONT

Connector No.	M122
Connector Name	BCM (BODY CONTROL MODULE)
Connector Type	TH16FB-NH



Terminal No.	Color	Wire	Signal Name (Specification)
74	SB	GR	PASSENGER DOOR ANT+
75	GR	GR	PASSENGER DOOR ANT+
76	V	V	DRIVER DOOR ANT+
77	LG	LG	DRIVER DOOR ANT+
78	Y	Y	ROOM ANT+
79	BR	BR	ROOM ANT+
80	GR	GR	NATS ANT AMP
81	W	W	NATS ANT AMP
82	R	R	IGN RELAY (P/B) CONT
83	Y	Y	KEYLESS ENTRY RECEIVER COMM
86	V	V	COMBI SW INPUT 5
88	P	P	COMBI SW INPUT 3
90	L	L	CANH
91	L	L	CANH
92	LG	LG	KEY SLOT ILL CONT
93	V	V	ON IND
94	Y	Y	Puddle LAMP CONT
95	BG	BG	ACC RELAY CONT
96	GR	GR	A/T SHIFT SELECTOR POWER SUPPLY
99	R	R	SHIFT P
100	G	G	PASSENGER DOOR REQUEST SW
101	SB	SB	DRIVER DOOR REQUEST SW
102	BG	BG	BLOWER FAN MOTOR RELAY CONT
103	LG	LG	KEYLESS ENTRY RECEIVER POWER SUPPLY
107	LG	LG	COMBI SW INPUT 1
108	R	R	COMBI SW INPUT 4
109	Y	Y	COMBI SW INPUT 2
110	G	G	HAZARD SW

Connector No.	M132
Connector Name	FRONT POWER SOCKET
Connector Type	NS03FV-CS



Terminal No.	Color	Wire	Signal Name (Specification)
1	B	B	-
2	R	R	-
3	P	P	-

Connector No.	M148
Connector Name	CONSOLE POWER SOCKET
Connector Type	P02FB-Z



Terminal No.	Color	Wire	Signal Name (Specification)
1	Y	Y	-
2	B	B	-

JRMWE9766GB

A
B
C
D
E
F
G
H
I
J
K
L
N
O
P

PG

POWER SUPPLY ROUTING CIRCUIT

< DTC/CIRCUIT DIAGNOSIS >

[POWER SUPPLY & GROUND CIRCUIT]

ACCESSORY POWER SUPPLY

Connector No.	M201
Connector Name	AV CONTROL UNIT
Connector Type	TH8FTV-CS2



Terminal No.	Color Of Wire	Signal Name [Specification]
2	BR	SOUND SIGNAL FRONT LH (+)
3	BR	SOUND SIGNAL FRONT LH (-)
4	LG	SOUND SIGNAL REAR DOOR SPEAKER LH (+)
5	LG	SOUND SIGNAL REAR DOOR SPEAKER LH (-)
6	P	STRG SW A
7	V	ACC
9	R	ILLUMINATION SIGNAL
11	L	SOUND SIGNAL FRONT RH (+)
12	W	SOUND SIGNAL FRONT RH (-)
13	L	SOUND SIGNAL REAR DOOR SPEAKER RH (+)
14	P	SOUND SIGNAL REAR DOOR SPEAKER RH (-)
15	B	STRG SW GND
16	L	STRG SW B
19	Y	BATTERY
20	B	GROUND

JRMWE9767GB

POWER SUPPLY ROUTING CIRCUIT

< DTC/CIRCUIT DIAGNOSIS >

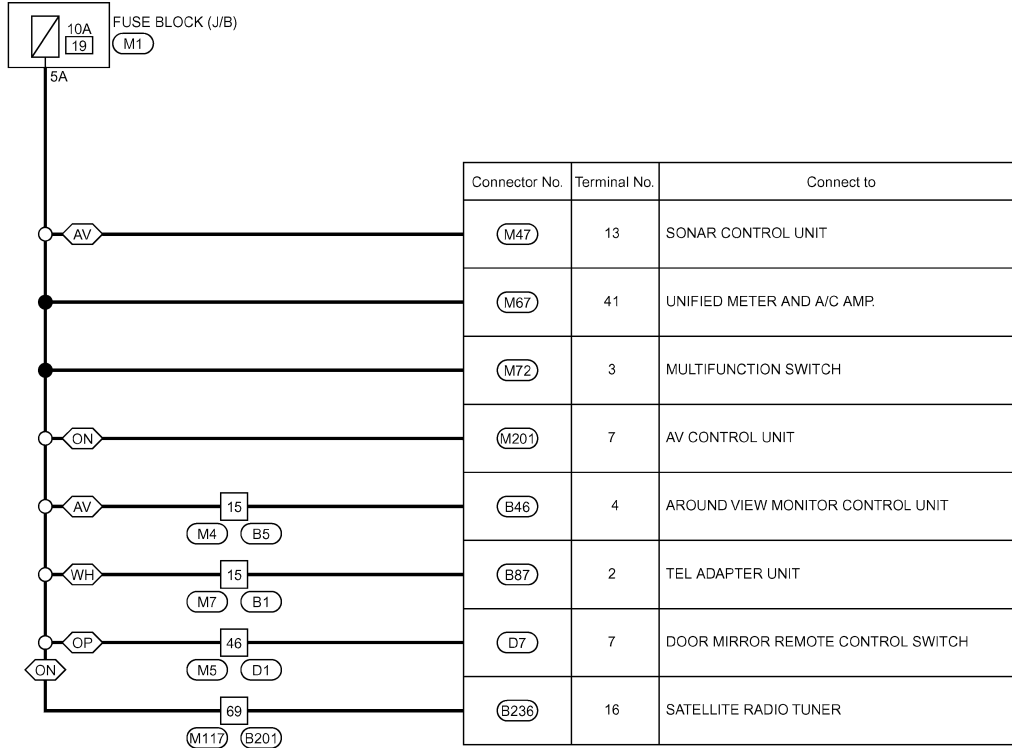
[POWER SUPPLY & GROUND CIRCUIT]

Wiring Diagram - ACCESSORY POWER SUPPLY FUSE No. 19 -

INFOID:000000008286450

ACCESSORY POWER SUPPLY FUSE No. 19

- ⬡ON⬡ : Without NAVI
- ⬡AV⬡ : With around view monitor
- ⬡OP⬡ : Without automatic drive positioner
- ⬡WH⬡ : With hands-free phone



2011/06/24

JRMWC4046GB

A
B
C
D
E
F
G
H
I
J
K
L
PG
N
O
P

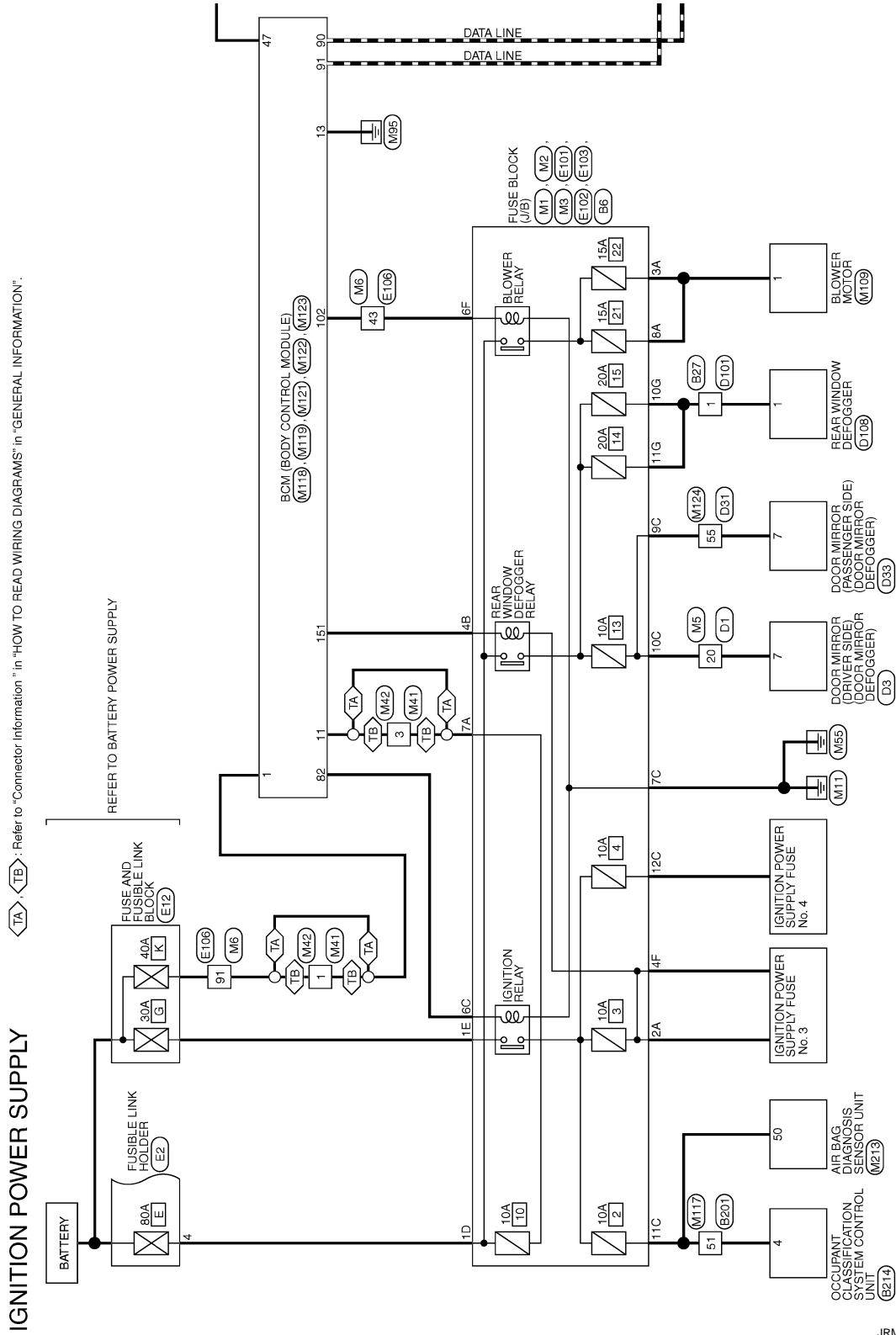
POWER SUPPLY ROUTING CIRCUIT

[POWER SUPPLY & GROUND CIRCUIT]

< DTC/CIRCUIT DIAGNOSIS >

Wiring Diagram - IGNITION POWER SUPPLY -

INFOID:000000008286451



2013/11/22

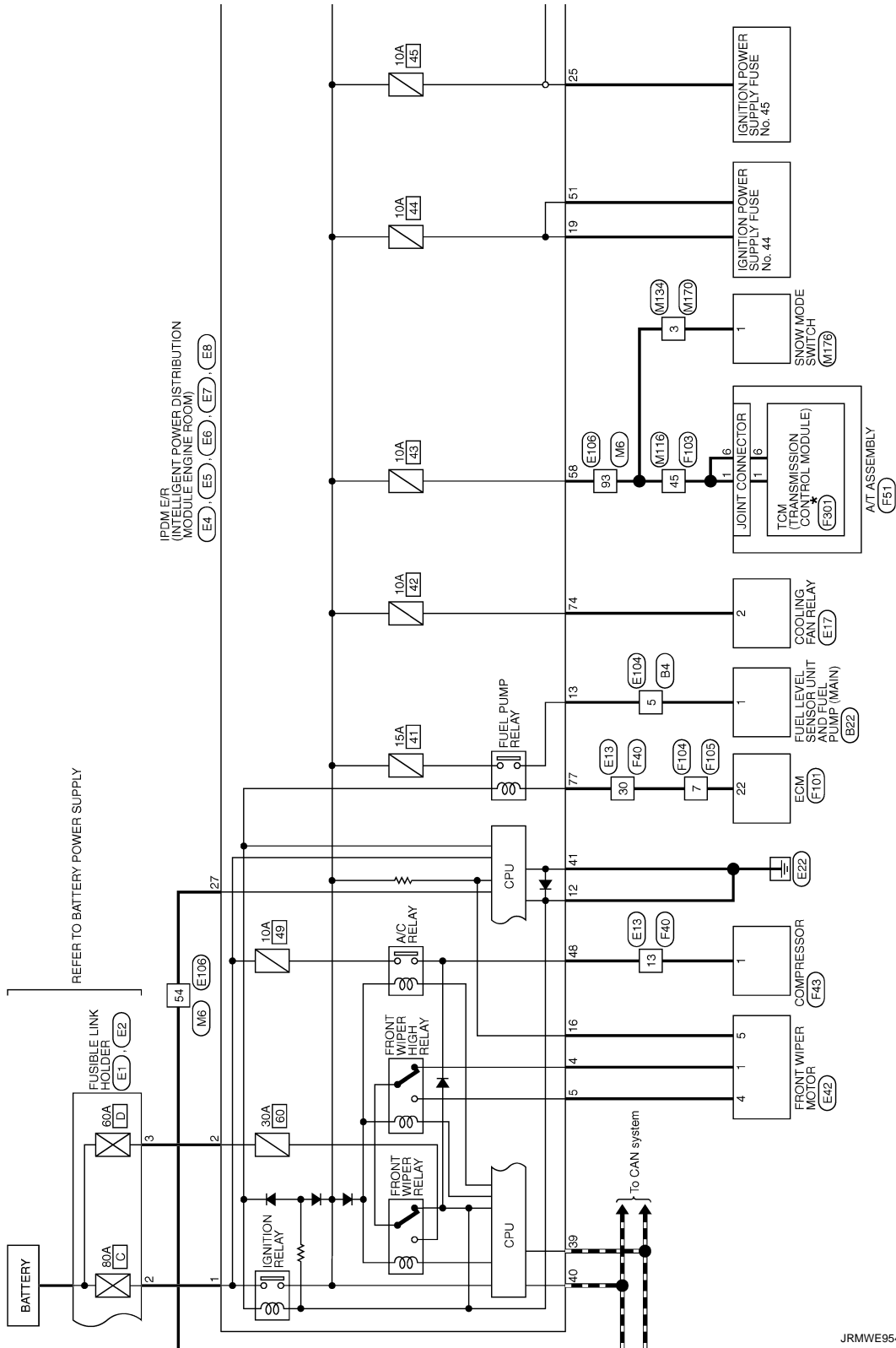
JRMWE9547GB

POWER SUPPLY ROUTING CIRCUIT

< DTC/CIRCUIT DIAGNOSIS >

[POWER SUPPLY & GROUND CIRCUIT]

*: This connector is not shown in "Harness Layout".



REFER TO BATTERY POWER SUPPLY

IPDM/ER (INTELLIGENT POWER DISTRIBUTION MODULE (ENGINE ROOM)) (E4) (E5) (E6) (E7) (E8)

JRMWE9548GB

A
B
C
D
E
F
G
H
I
J
K
L
PG
N
O
P

POWER SUPPLY ROUTING CIRCUIT

< DTC/CIRCUIT DIAGNOSIS >

[POWER SUPPLY & GROUND CIRCUIT]

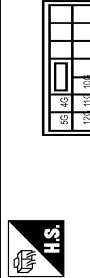
IGNITION POWER SUPPLY

Connector No.	B4
Connector Name	WIRE TO WIRE
Connector Type	NS12FV-GS



Terminal No.	Color Of Wire	Signal Name [Specification]
1	W	-
2	B	-
3	G	-
4	SHIELD	-
5	P	-
7	Y	-
8	R	-
9	BR	-
10	BG	-
11	LG	-
12	GR	-

Connector No.	B6
Connector Name	FUSE BLOCK (JIB)
Connector Type	NS12FBR-CS



Terminal No.	Color Of Wire	Signal Name [Specification]
10G	W	-
11G	W	-
12G	GR	-
4G	R	-
5G	LG	-

Connector No.	B22
Connector Name	FUEL LEVEL SENSOR UNIT AND FUEL PUMP (MAN)
Connector Type	ED5FCY-RS



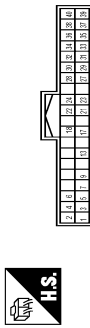
Terminal No.	Color Of Wire	Signal Name [Specification]
1	P	-
2	W	-
3	B	-
4	R	-
5	B	-

Connector No.	B27
Connector Name	WIRE TO WIRE
Connector Type	MO6MMV-LC



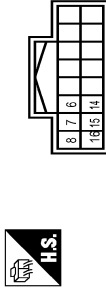
Terminal No.	Color Of Wire	Signal Name [Specification]
1	R	-
2	G	-
3	B	-
4	SB	-
5	L	-
6	B	-

Connector No.	B46
Connector Name	AROUND VIEW MONITOR CONTROL UNIT
Connector Type	TH40FV-NH



Terminal No.	Color Of Wire	Signal Name [Specification]
1	B	GROUND
2	Y	BATTERY
3	B	IGNITION SIGNAL
4	GR	ACC
5	BG	ILLUMINATION SIGNAL
6	SB	VEHICLE SPEED SIGNAL (PULSE)
7	V	REVERSE SIGNAL
9	V	CONTROL SIGNAL
13	B	CONTROL SIGNAL
17	SB	AV COMM (H)
18	LG	AV COMM (L)
21	SB	AV COMM (H)
22	LG	AV COMM (L)
23	LG	-
24	G	-
27	W	CAMERA IMAGE SIGNAL
28	SHIELD	CAMERA IMAGE SIGNAL GND
29	Y	SIDE CAMERA RH IMAGE SIGNAL
30	G	SHIELD
31	SHIELD	SHIELD
32	B	SIDE CAMERA RH GND
33	W	SIDE CAMERA RH COMM
34	R	SIDE CAMERA RH POWER SUPPLY
35	L	REAR CAMERA COMM
36	BR	REAR CAMERA POWER SUPPLY
37	SHIELD	SHIELD
38	R	REAR CAMERA GND
39	Y	REAR CAMERA IMAGE SIGNAL
40	W	REAR CAMERA IMAGE GND

Connector No.	B50
Connector Name	BSW CONTROL MODULE
Connector Type	TH16FV-NH



Terminal No.	Color Of Wire	Signal Name [Specification]
6	B	GROUND
7	L	BSW COMM+H
8	Y	BSW COMM+L
14	L	CAN+H
15	P	CAN-L
16	G	IGNITION

Connector No.	B87
Connector Name	TEL ADAPTER UNIT
Connector Type	TH52FV-NH



Terminal No.	Color Of Wire	Signal Name [Specification]
1	GR	BATTERY
2	LG	ACC
3	W	IGNITION SIGNAL
4	B	GROUND
7	BR	MICROPHONE SIGNAL
8	SHIELD	MICROPHONE GND
9	SHIELD	TEL VOICE SIGNAL (+)
10	W	TEL VOICE SIGNAL (-)
22	B	CONTROL SIGNAL
23	B	CONTROL SIGNAL
24	B	CONTROL SIGNAL
28	P	VEHICLE SPEED (PULSE)
29	Y	MICROPHONE VCC

A
B
C
D
E
F
G
H
I
J
K
L
N
O
P

POWER SUPPLY ROUTING CIRCUIT

[POWER SUPPLY & GROUND CIRCUIT]

< DTC/CIRCUIT DIAGNOSIS >

IGNITION POWER SUPPLY

Connector No.	B105
Connector Name	SIDE PADAR LH
Connector Type	AAC06FB-WP-5P



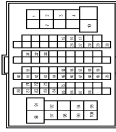
Terminal Color Of No.	Wire	Signal Name [Specification]
2	B	GROUND
3	Y	BSW COMM-L
4	L	BSW COMM-H
5	G	IGNITION
6	R	BSW INDICATOR

Connector No.	B107
Connector Name	SIDE PADAR RH
Connector Type	AAC06FB-WP-5P



Terminal Color Of No.	Wire	Signal Name [Specification]
2	B	GROUND
3	Y	BSW COMM-L
4	L	BSW COMM-H
5	G	IGNITION
6	BR	BSW INDICATOR

Connector No.	B201
Connector Name	WIRE TO WIRE
Connector Type	TH80FW-CS16-TM4



Terminal Color Of No.	Wire	Signal Name [Specification]
1	W	-
2	R	-
3	GR	-
4	BG	-
7	LG	-
10	W	-
13	SB	-
16	V	-
17	BR	-
26	BR	-
27	L	-
28	Y	-
29	Y	-
30	GR	-
31	R	-
32	BR	-
33	G	-
51	R	-
55	G	-
56	R	-
57	W	-
58	B	-
59	SHIELD	-
60	LG	-
61	W	-
62	BR	-
63	P	-
64	L	-
65	G	-
66	P	-
67	L	-
68	SHIELD	-
69	V	-
70	Y	-
71	SB	-
72	W	-

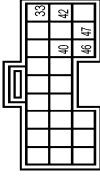
73	BR	-
75	Y	-
80	V	-
81	SB	-
82	LG	-
83	P	-
84	R	-
85	L	-
86	BG	-
87	L	-
88	P	-
91	V	-
92	R	-
94	R	-
95	SB	-
96	G	-
97	G	-
98	R	-
99	P	-
100	L	-

Connector No.	B214
Connector Name	COOLANT CLASSIFICATION SYSTEM CONTROL UNIT
Connector Type	TH88FW-NH



Terminal Color Of No.	Wire	Signal Name [Specification]
2	V	COMMUNICATION
4	R	IGN
5	B	GROUND

Connector No.	B249
Connector Name	BRAKE BOOSTER CONTROL UNIT
Connector Type	TK24FGY



Terminal Color Of No.	Wire	Signal Name [Specification]
33	BR	IGNITION
40	SB	IBA OFF SW
42	G	IGNITION
46	B	GROUND
47	V	BRAKE HOLD RLY DRIVE SIGNAL

Connector No.	D1
Connector Name	WIRE TO WIRE
Connector Type	TH40FW-CS15



Terminal Color Of No.	Wire	Signal Name [Specification]
1	R	-
2	B	-
3	V	-
4	W	-
5	L	-
6	O	-
7	GR	-
8	W	-
9	O	-
10	BR	-
11	P	-
12	LG	-
13	B	-
14	Y	-
15	W	-

POWER SUPPLY ROUTING CIRCUIT

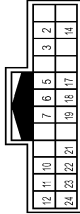
< DTC/CIRCUIT DIAGNOSIS >

[POWER SUPPLY & GROUND CIRCUIT]

IGNITION POWER SUPPLY

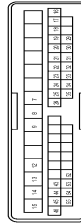
16	R	-	-
17	W	-	-
18	G	-	-
19	Y	-	-
20	W	-	-
21	O	-	-
22	P	-	-
23	BR	-	-
24	V	-	-
25	GR	-	-
26	Y	-	-
27	B	-	-
28	SHIELD	-	-
29	LG	-	-
30	G	-	-
31	W	-	-
32	O	-	-
33	L	-	-
34	SB	-	-
35	R	-	-
36	LG	-	-
37	R	-	-
38	P	-	-
39	O	-	-
40	BR	-	-
41	L	-	-
42	GR	-	-
43	BR	- [With automatic drive positioner]	-
43	O	- [Without automatic drive positioner]	-
44	GR	- [With automatic drive positioner]	-
44	W	- [Without automatic drive positioner]	-
45	G	- [With automatic drive positioner]	-
45	Y	- [Without automatic drive positioner]	-
46	G	- [With automatic drive positioner]	-
46	V	- [Without automatic drive positioner]	-
49	GR	-	-
50	B	-	-
52	R	-	-
53	SB	-	-
54	O	-	-
55	Y	-	-

Connector No.	D3
Connector Name	DOOR MIRROR (DRIVER SIDE)
Connector Type	TH24MW-NH



Terminal No.	Color Of Wire	Signal Name [Specification]
2	O	-
3	B	SIDE CAMERA LH COMM
5	V	SIDE CAMERA LH IMAGE SIGNAL
6	R	SIDE CAMERA LH POWER SUPPLY
7	W	-
10	G	-
11	P	-
12	O	-
14	LG	-
17	G	SIDE CAMERA LH IMAGE GND
18	W	SIDE CAMERA LH GND
19	B	-
21	GR	-
22	BR	-
23	Y	-
24	V	-

Connector No.	D31
Connector Name	WIRE TO WIRE
Connector Type	TH40FM-CS15



Terminal No.	Color Of Wire	Signal Name [Specification]
7	R	-
8	BR	-
9	V	-
12	P	-

13	LG	-
14	B	-
15	W	-
16	BR	-
17	B	-
18	R	-
19	Y	-
20	B	- [With BOSE audio]
20	R	- [Without BOSE audio]
21	BR	- [With BOSE audio]
21	G	- [Without BOSE audio]
22	V	-
23	P	-
24	W	-
25	SB	-
26	R	-
29	SHIELD	-
30	W	-
31	LG	-
32	BR	-
33	O	-
34	GR	-
35	G	-
43	Y	-
44	V	-
45	P	-
46	W	-
52	G	-
53	GR	-
54	O	-
55	L	-

Connector No.	D33
Connector Name	DOOR MIRROR (PASSENGER SIDE)
Connector Type	TH24MW-NH



Terminal No.	Color Of Wire	Signal Name [Specification]
3	W	SIDE CAMERA RH COMM
4	LG	SIDE CAMERA RH IMAGE SIGNAL
5	B	SIDE CAMERA RH POWER SUPPLY

6	R	-
7	L	-
10	G	-
11	GR	-
12	O	-
16	BR	-
17	G	SIDE CAMERA RH IMAGE GND
18	Y	SIDE CAMERA RH GND
19	B	-
21	P	-
22	Y	-
23	W	-
24	V	-

Connector No.	D101
Connector Name	WIRE TO WIRE
Connector Type	M06PFLC



Terminal No.	Color Of Wire	Signal Name [Specification]
1	R	-
2	G	-
3	B	-
4	Y	-
5	V	-
6	B	-

JRMWE9770GB

A
B
C
D
E
F
G
H
I
J
K
L
N
O
P

POWER SUPPLY ROUTING CIRCUIT

< DTC/CIRCUIT DIAGNOSIS >

[POWER SUPPLY & GROUND CIRCUIT]

IGNITION POWER SUPPLY

Connector No.	D108
Connector Name	REAR WINDOW DEFOGGER
Connector Type	M02MB-PLC



Terminal No.	1	R	-
Color Of Wire			
Signal Name [Specification]			

Connector No.	E1
Connector Name	FUSIBLE LINK HOLDER
Connector Type	L02FBR-MC



Terminal No.	1	R	-
Color Of Wire			
Signal Name [Specification]			

Connector No.	E2
Connector Name	FUSIBLE LINK HOLDER
Connector Type	L02FGX-MC



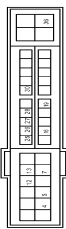
Terminal No.	3	L	-
Color Of Wire			
Signal Name [Specification]			

Connector No.	E4
Connector Name	POWER INTELLIGENT POWER DISTRIBUTION MODULE (ENGINE ROOM)
Connector Type	L02FEMC



Terminal No.	1	W	-
Color Of Wire			
Signal Name [Specification]			

Connector No.	E5
Connector Name	POWER INTELLIGENT POWER DISTRIBUTION MODULE (ENGINE ROOM)
Connector Type	TH20FW-CST2-M4-TV



Terminal No.	4	V	-
Color Of Wire			
Signal Name [Specification]			
Terminal No.	5	L	-
Color Of Wire			
Signal Name [Specification]			
Terminal No.	7	R	-
Color Of Wire			
Signal Name [Specification]			
Terminal No.	12	BAW	-
Color Of Wire			
Signal Name [Specification]			
Terminal No.	13	Y	-
Color Of Wire			
Signal Name [Specification]			
Terminal No.	16	LG	-
Color Of Wire			
Signal Name [Specification]			
Terminal No.	19	W	-
Color Of Wire			
Signal Name [Specification]			
Terminal No.	25	G	-
Color Of Wire			
Signal Name [Specification]			
Terminal No.	26	R	-
Color Of Wire			
Signal Name [Specification]			
Terminal No.	27	RG	-
Color Of Wire			
Signal Name [Specification]			
Terminal No.	28	L	-
Color Of Wire			
Signal Name [Specification]			
Terminal No.	30	GR	-
Color Of Wire			
Signal Name [Specification]			

Terminal No.	36	G	-
Color Of Wire			
Signal Name [Specification]			

Connector No.	E6
Connector Name	POWER INTELLIGENT POWER DISTRIBUTION MODULE (ENGINE ROOM)
Connector Type	TH20FW-AH



Terminal No.	39	P	-
Color Of Wire			
Signal Name [Specification]			
Terminal No.	40	L	-
Color Of Wire			
Signal Name [Specification]			
Terminal No.	41	BAW	-
Color Of Wire			
Signal Name [Specification]			
Terminal No.	43	SB	-
Color Of Wire			
Signal Name [Specification]			
Terminal No.	44	BR	-
Color Of Wire			
Signal Name [Specification]			
Terminal No.	45	G	-
Color Of Wire			
Signal Name [Specification]			
Terminal No.	46	R	-
Color Of Wire			
Signal Name [Specification]			

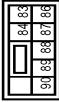
Connector No.	E7
Connector Name	POWER INTELLIGENT POWER DISTRIBUTION MODULE (ENGINE ROOM)
Connector Type	TH20FW-CST2-M4



Terminal No.	48	L	-
Color Of Wire			
Signal Name [Specification]			
Terminal No.	49	BG	-
Color Of Wire			
Signal Name [Specification]			
Terminal No.	51	Y	-
Color Of Wire			
Signal Name [Specification]			
Terminal No.	53	W	-
Color Of Wire			
Signal Name [Specification]			
Terminal No.	54	P	-
Color Of Wire			
Signal Name [Specification]			
Terminal No.	55	SB	-
Color Of Wire			
Signal Name [Specification]			
Terminal No.	56	LG	-
Color Of Wire			
Signal Name [Specification]			
Terminal No.	57	G	-
Color Of Wire			
Signal Name [Specification]			
Terminal No.	58	V	-
Color Of Wire			
Signal Name [Specification]			
Terminal No.	69	BR	-
Color Of Wire			
Signal Name [Specification]			

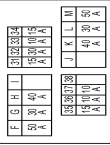
Terminal No.	70	BG	-
Color Of Wire			
Signal Name [Specification]			
Terminal No.	74	P	-
Color Of Wire			
Signal Name [Specification]			
Terminal No.	75	SB	-
Color Of Wire			
Signal Name [Specification]			
Terminal No.	76	Y	-
Color Of Wire			
Signal Name [Specification]			
Terminal No.	77	R	-
Color Of Wire			
Signal Name [Specification]			
Terminal No.	80	W	-
Color Of Wire			
Signal Name [Specification]			

Connector No.	E8
Connector Name	POWER INTELLIGENT POWER DISTRIBUTION MODULE (ENGINE ROOM)
Connector Type	NS08FW-GS



Terminal No.	83	BG	-
Color Of Wire			
Signal Name [Specification]			
Terminal No.	84	V	-
Color Of Wire			
Signal Name [Specification]			
Terminal No.	86	W	-
Color Of Wire			
Signal Name [Specification]			
Terminal No.	87	L	-
Color Of Wire			
Signal Name [Specification]			
Terminal No.	88	GR	-
Color Of Wire			
Signal Name [Specification]			
Terminal No.	89	BR	-
Color Of Wire			
Signal Name [Specification]			
Terminal No.	90	P	-
Color Of Wire			
Signal Name [Specification]			

Connector No.	E12
Connector Name	FUSE AND FUSIBLE LINK BLOCK
Connector Type	24381-7990A



Terminal No.	31	LG	-
Color Of Wire			
Signal Name [Specification]			
Terminal No.	32	P	-
Color Of Wire			
Signal Name [Specification]			
Terminal No.	33	BG	-
Color Of Wire			
Signal Name [Specification]			
Terminal No.	34	Y	-
Color Of Wire			
Signal Name [Specification]			
Terminal No.	35	R	-
Color Of Wire			
Signal Name [Specification]			

POWER SUPPLY ROUTING CIRCUIT

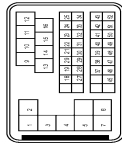
< DTC/CIRCUIT DIAGNOSIS >

[POWER SUPPLY & GROUND CIRCUIT]

IGNITION POWER SUPPLY

36	R	-	-
37	BR	-	-
F	W	-	-
G	G	-	-
H	G	-	-
K	W	-	-
L	R	-	-
M	G	-	-

Connector No.	E13
Connector Name	WIRE TO WIRE
Connector Type	SAA33MB-RS8-SHZ8



Terminal No.	Color Of Wire	Signal Name [Specification]
1	LY	-
2	SHIELD	-
3	L/B	-
4	SHIELD	-
5	BR	-
6	G	-
7	BR	-
8	W	-
9	W	-
10	Y	-
11	P	-
12	SB	-
13	L	-
14	G	-
15	R	-
16	LG	-
18	Y	-
19	BG	-
20	B	-
21	SB	-
22	W	-
23	I	-
24	G	-
25	LG	-
26	GR	-
27	V	-
28	V	-
29	P	-

30	R	-	-
31	BR	-	-
32	Y	-	-
33	G	-	-
34	BG	-	-
37	SHIELD	-	-
38	L	-	-
39	P	-	-
40	R	-	-
41	W	-	-
42	LG	-	-
43	G	-	-
45	BG	-	-
46	SHIELD	-	-
47	W	-	-
48	BR	-	-
49	G	-	-
50	B	-	-
51	SB	-	-
52	R	-	-

Connector No.	E17
Connector Name	COOLING FAN RELAY
Connector Type	24347_9F900



Terminal No.	Color Of Wire	Signal Name [Specification]
1	B	-
2	P	-
3	W	-
5	R	-

Connector No.	E26
Connector Name	HEADLAMP MAINING MOTOR RH
Connector Type	HS09FGY



Terminal No.	Color Of Wire	Signal Name [Specification]
1	SB	-
2	B	-
3	G	-

Connector No.	E41
Connector Name	ABS ACTUATOR AND ELECTRIC UNIT (CONTROL UNIT)
Connector Type	BA042FB-AH24-LH



Terminal No.	Color Of Wire	Signal Name [Specification]
1	B	GROUND
2	G	UBMR
3	R	UBVR
4	B	GROUND
5	Y	DS FL
6	BG	DP RL
7	BR	DP RR
9	B	DP FR
10	W	DS FR
12	L	VAC
14	P	CANL
15	SHIELD	GROUND
18	P	USL
23	Y	BUS-L
26	LG	DP-FL
27	GR	DS RL
28	G	UZ

29	LG	DS RR
30	SB	BLS
31	R	VDC OFF SW
35	L	CANH
45	B	BUSH

Connector No.	E42
Connector Name	FRONT WIPER MOTOR
Connector Type	HS06FGY



Terminal No.	Color Of Wire	Signal Name [Specification]
1	V	-
2	B/W	-
4	L	-
5	LG	-

Connector No.	E50
Connector Name	ICC BRAKE HOLD RELAY
Connector Type	MO9FGY-R-LIS



Terminal No.	Color Of Wire	Signal Name [Specification]
1	V	-
2	B	-
3	P	-
4	SB	-
6	P	-
7	R	-

A
B
C
D
E
F
G
H
I
J
K
L
PG
N
O
P

POWER SUPPLY ROUTING CIRCUIT

< DTC/CIRCUIT DIAGNOSIS >

[POWER SUPPLY & GROUND CIRCUIT]

IGNITION POWER SUPPLY

Connector No.	E56
Connector Name	HEADLAMP AIMING MOTOR LH
Connector Type	HS03FGY



Terminal No.	Color Of Wire	Signal Name [Specification]
1	BG	-
2	B	-
3	G	-

Connector No.	E67
Connector Name	ICC SENSOR INTEGRATED UNIT
Connector Type	RS06FB-PR



Terminal No.	Color Of Wire	Signal Name [Specification]
1	R	IGNITION
2	L	ITS COMM-H
3	L	CAN-H
4	B	GROUND
5	P	ITS COMM-L
6	P	CAN-L

Connector No.	E101
Connector Name	FUSE BLOCK (J/B)
Connector Type	L01FW-MC



Terminal No.	1D
Color Of Wire	R
Signal Name [Specification]	-

Connector No.	E102
Connector Name	FUSE BLOCK (J/B)
Connector Type	M02FB-LC



Terminal No.	1E
Color Of Wire	G
Signal Name [Specification]	-

Connector No.	E103
Connector Name	FUSE BLOCK (J/B)
Connector Type	NS16FM-GS



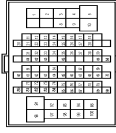
Terminal No.	Color Of Wire	Signal Name [Specification]
1F	SB	-
2F	W	-
4F	G	-
6F	BR	-
8F	L	-
9F	R	-

Connector No.	E104
Connector Name	WIRE TO WIRE
Connector Type	NS12MW-GS



Terminal No.	Color Of Wire	Signal Name [Specification]
1	W	-
2	BR	-
3	L	-
4	SHIELD	-
5	Y	-
7	Y	-
8	R	-
9	BR	-
10	BG	-
11	LG	-
12	GR	-

Connector No.	E106
Connector Name	WIRE TO WIRE
Connector Type	TH801W-GS16-TM4



Terminal No.	Color Of Wire	Signal Name [Specification]
1	R	-
2	W	-
3	B	-
4	GR	-
6	GR	-
8	Y	-
9	BR	-
10	BG	-
11	SB	-
12	BG	-
13	L	-
14	R	-
15	P	-
16	V	-
17	SB	-
18	V	-
20	BG	-
21	L	-
22	V	-
23	G	-
24	P	-
25	Y	-
26	V	-
27	W	-
28	G	-
31	BG	-
32	W	-
33	B	-
34	R	-
35	G	-
36	SHIELD	-
37	V	-
38	BR	-
39	BG	-
41	W	-
42	G	-

POWER SUPPLY ROUTING CIRCUIT

< DTC/CIRCUIT DIAGNOSIS >

[POWER SUPPLY & GROUND CIRCUIT]

IGNITION POWER SUPPLY

Connector No.	F21
Connector Name	FUEL INJECTOR No. 1
Connector Type	HS02FGY



Terminal Color Of No.	Wire	Signal Name [Specification]
1	G	-
2	GR	-

Connector No.	F22
Connector Name	FUEL INJECTOR No. 2
Connector Type	HS02FGY



Terminal Color Of No.	Wire	Signal Name [Specification]
1	G	-
2	BR	-

Connector No.	F23
Connector Name	FUEL INJECTOR No. 3
Connector Type	HS02FGY



Terminal Color Of No.	Wire	Signal Name [Specification]
1	G	-
2	R	-

Connector No.	F24
Connector Name	FUEL INJECTOR No. 4
Connector Type	HS02FGY



Terminal Color Of No.	Wire	Signal Name [Specification]
1	G	-
2	O	-

Connector No.	F25
Connector Name	FUEL INJECTOR No. 5
Connector Type	HS02FGY



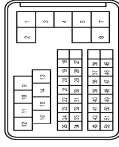
Terminal Color Of No.	Wire	Signal Name [Specification]
1	G	-
2	W	-

Connector No.	F26
Connector Name	FUEL INJECTOR No. 6
Connector Type	HS02FGY



Terminal Color Of No.	Wire	Signal Name [Specification]
1	G	-
2	V	-

Connector No.	F40
Connector Name	WIRE TO WIRE
Connector Type	SAA36FB-RS8-S1Z8



Terminal Color Of No.	Wire	Signal Name [Specification]
1	LY	-
2	SHIELD	-
3	Y/B	-
4	SHIELD	-
5	BR	-
6	W	-
7	O	-
8	W	-
9	W	-
10	G	-
11	R	-
12	P	-
13	L	-
14	LG	-
15	BR	-
16	Y	-
18	LG	-
19	P	-
20	O	-
21	Y	-
22	G	-
23	Y	-
24	LG	-
25	V	-
27	GR	-
28	BR	-
29	L	-
30	R	-
31	P	-
32	W	-
33	SB	-
34	O	-
37	SHIELD	-
38	W	-
39	Y	-
40	G	-
41	B	-

JRMWE9775GB

POWER SUPPLY ROUTING CIRCUIT

< DTC/CIRCUIT DIAGNOSIS >

[POWER SUPPLY & GROUND CIRCUIT]

IGNITION POWER SUPPLY

68	LG	SENSOR GROUND
69	W	KNOCK SENSOR (BANK 2)
70	Y	ENGINE COOLANT TEMPERATURE SENSOR
71	SHIELD	SENSOR GROUND (KNOCK SENSOR)
72	W	KNOCK SENSOR (BANK 1)
73	W	HEATED OXYGEN SENSOR 2 (BANK 1)
76	SB	MASS AIR FLOW SENSOR (BANK 1)
77	G	ENGINE OIL TEMPERATURE SENSOR
78	BR	MASS AIR FLOW SENSOR (BANK 2)
79	BR	HEATED OXYGEN SENSOR 2 (BANK 2)
80	O	HEATED OXYGEN SENSOR 2 (BANK 2)
81	R	FUEL INJECTOR #3
82	V	FUEL INJECTOR #6
84	B	SENSOR GROUND
85	BR	FUEL INJECTOR #2
86	W	FUEL INJECTOR #5
87	Y	POWER STEERING PRESSURE SENSOR
89	GR	FUEL INJECTOR #1
90	O	FUEL INJECTOR #4
91	SB	BATTERY CURRENT SENSOR
92	G	SENSOR GROUND (BATTERY CURRENT SENSOR)
93	P	POWER SUPPLY FOR ECM (BACK-UP)
94	Y	SENSOR GROUND (MASS AIR FLOW SENSOR (BANK 2))
95	G	SENSOR GROUND (BATTERY CURRENT SENSOR)
96	P	SENSOR GROUND

Connector No.	F104
Connector Name	WIRE TO WIRE
Connector Type	TH08FW-NH1



Terminal No.	Color	Wire	Signal Name [Specification]
1	P	-	-
2	V	-	-
3	L	-	-
4	Y	-	-
6	GR	-	-
7	R	-	-
8	O	-	-

Connector No.	F103
Connector Name	WIRE TO WIRE
Connector Type	TK36FW-NS10



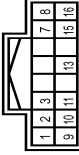
Terminal No.	Color	Wire	Signal Name [Specification]
2	G	-	-
3	W	-	-
4	R	-	-
5	B	-	-
9	Y	-	-
10	GR	-	-
19	BG	-	-
20	O	-	-
28	B	-	-

Connector No.	F105
Connector Name	WIRE TO WIRE
Connector Type	TH08MW-NH1



Terminal No.	Color	Wire	Signal Name [Specification]
1	P	-	-
2	V	-	-
3	L	-	-
4	Y	-	-
6	GR	-	-
7	R	-	-
8	O	-	-

Connector No.	F108
Connector Name	AWD CONTROL UNIT
Connector Type	TH16FW-NH1



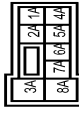
Terminal No.	Color	Wire	Signal Name [Specification]
1	BR	-	AWD SOL (+)
2	Y	-	AWD SOL (-)
3	W	-	FLUID TEMP (-)
7	G	-	IGN
8	L	-	CANH
9	O	-	AWD SOL BAT
10	B	-	GROUND
11	GR	-	GROUND
13	LG	-	FLUID TEMP (+)
15	Y	-	BATTERY POWER SUPPLY
16	P	-	CANL

Connector No.	F301
Connector Name	TCM (TRANSMISSION CONTROL MODULE)
Connector Type	SP10FG



Terminal No.	Color	Wire	Signal Name [Specification]
1	-	-	POWER SUPPLY
2	-	-	POWER SUPPLY (MEMORY BACK-UP)
3	-	-	CANH
4	-	-	K LINE
6	-	-	GROUND
9	-	-	POWER SUPPLY
7	-	-	BACK-UP LAMP RELAY
8	-	-	CANL
9	-	-	STARTER RELAY
10	-	-	GROUND

Connector No.	M1
Connector Name	FUSE BLOCK (JIB)
Connector Type	NS06FW-M2



Terminal No.	Color	Wire	Signal Name [Specification]
1A	GR	-	-
2A	G	-	-
3A	L	-	-
4A	P	-	- [For rush button]
6A	R	-	- [For key slot]
7A	Y	-	-
8A	R	-	-
9A	L	-	-

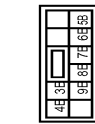
POWER SUPPLY ROUTING CIRCUIT

< DTC/CIRCUIT DIAGNOSIS >

[POWER SUPPLY & GROUND CIRCUIT]

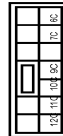
IGNITION POWER SUPPLY

Connector No.	M2
Connector Name	FUSE BLOCK (J/B)
Connector Type	NS10FV-CS



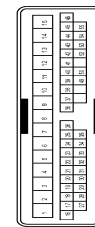
Terminal No.	Wire	Signal Name [Specification]
3B	P	-
4B	G	-
5B	BG	-
6B	Y	-
7B	P	-
8B	R	-
9B	SB	-

Connector No.	M3
Connector Name	FUSE BLOCK (J/B)
Connector Type	NS12FV-CS



Terminal No.	Wire	Signal Name [Specification]
10C	L	-
11C	R	-
12C	BG	-
6C	R	-
7C	B	-
9C	BG	-

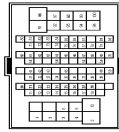
Connector No.	M5
Connector Name	WIRE TO WIRE
Connector Type	TH80MW-CS15



Terminal No.	Wire	Signal Name [Specification]
1	R	-
2	B	-
3	BR	-
4	P	-
5	L	-
6	R	-
7	R	-
8	W	-
9	G	-
10	L	-
11	G	-
12	V	-
13	B	-
14	Y	-
15	W	-
16	R	-
17	B	-
18	G	-
19	Y	-
20	L	-
21	LG	-
22	L	-
23	G	-
24	Y	-
25	GR	-
26	R	-
27	W	-
28	SHIELD	-
29	Y	-
30	Y	-
31	R	-
32	BR	-
33	SB	-
34	P	-
35	P	-
36	LG	-

37	BR	-	-
38	P	-	-
39	BG	-	-
40	SB	-	-
41	L	-	-
42	R	-	-
43	BR	-	-
44	V	-	-
45	G	-	-
46	SB	- [With automatic drive positioner]	- [Without automatic drive positioner]
49	P	-	-
50	B	-	-
52	R	-	-
53	R	-	-
54	LG	-	-
55	SB	-	-

Connector No.	M6
Connector Name	WIRE TO WIRE
Connector Type	TH80MW-CS16-TM4



Terminal No.	Wire	Signal Name [Specification]
1	W	-
2	R	-
3	B	-
4	SHIELD	-
5	G	-
8	Y	-
9	BR	-
10	R	-
11	BR	-
12	BG	-
13	L	-
14	B	-
15	B	-
16	V	-
17	SB	-
18	V	-
20	BG	-

21	L	-	-
22	W	-	-
23	P	-	-
24	BR	-	-
25	Y	-	-
26	V	-	-
27	G	-	-
28	G	-	-
31	L	-	-
32	G	-	-
33	B	-	-
34	W	-	-
35	R	-	-
36	SHIELD	-	-
37	V	-	-
38	BG	-	-
39	BR	-	-
41	W	-	-
42	BG	-	-
43	BG	-	-
45	W	-	-
49	L	-	-
50	P	-	-
51	BR	-	-
54	Y	-	-
57	G	-	-
59	W	-	-
60	L	-	-
61	G	-	-
62	SB	-	-
63	G	-	-
64	B	-	-
65	W	-	-
66	R	-	-
67	SHIELD	-	-
68	Y	-	-
69	GR	-	-
70	LG	-	-
71	LG	-	-
72	Y	-	-
73	SB	-	- [With ICC]
74	BR	-	- [Without ICC]
74	L	-	-
75	G	-	- [Without ICC]
76	GR	-	- [With ICC]
76	W	-	- [Without ICC]
77	P	-	- [With ICC]
77	R	-	- [Without ICC]
78	L	-	- [With ICC]
78	R	-	- [Without ICC]

A
B
C
D
E
F
G
H
I
J
K
L
N
O
P

PG

JRMWE9778GB

POWER SUPPLY ROUTING CIRCUIT

< DTC/CIRCUIT DIAGNOSIS >

[POWER SUPPLY & GROUND CIRCUIT]

IGNITION POWER SUPPLY

Terminal No.	Color Of Wire	Signal Name [Specification]
79	W	- [Without ICC]
80	Y	- [With ICC]
81	SB	-
82	SB	-
83	V	-
84	G	-
85	L	-
86	P	-
87	W	-
89	GR	-
90	SHIELD	-
91	W	-
92	Y	-
93	BR	-
94	P	-
95	GR	-
96	W	-
97	L	-
98	SHIELD	-
99	V	-
100	SB	-

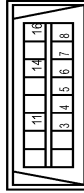
Connector No.	M16
Connector Name	AFS CONTROL UNIT
Connector Type	TH40FV-NH



Terminal No.	Color Of Wire	Signal Name [Specification]
1	W	IGN
2	LG	PSCR
4	Y	PSV-R
6	W	HSV-R
7	P	CANH
8	B	HSG-R
9	GR	PS-R
11	R	SMR-1 ()
13	B	SMR-2 ()
15	G	SML-1 ()
17	W	SML-2 ()
19	SB	AMDS-R

Terminal No.	Color Of Wire	Signal Name [Specification]
24	V	PSV-L
25	B	GROUND
27	BR	PSC-L
28	BG	HS-R
29	BG	PS-L
30	L	CANH
32	G	SMR-2 ()
34	W	SMR-1 ()
36	R	SML-2 ()
38	B	SML-1 ()
40	L	AMDS-L

Connector No.	M24
Connector Name	DATA LINK CONNECTOR
Connector Type	BDT6EW



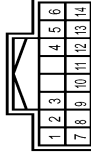
Terminal No.	Color Of Wire	Signal Name [Specification]
3	LG	-
4	B	-
5	B	-
6	L	-
7	V	-
8	G	-
11	SB	-
14	P	-
16	Y	-

Connector No.	M29
Connector Name	WARNING SYSTEMS SWITCH
Connector Type	TK08FGY



Terminal No.	Color Of Wire	Signal Name [Specification]
2	SB	-
3	W	-
4	B	-
5	R	-
6	B	-
7	V	-

Connector No.	M33
Connector Name	COMBINATION SWITCH
Connector Type	TH8FV-NH



Terminal No.	Color Of Wire	Signal Name [Specification]
1	P	FR WASHER ()
2	SB	OUTPUT 4
3	GR	FR WASHER ()
4	G	IGN
5	L	OUTPUT 3
6	B	GROUND
7	V	INPUT 3
8	BG	OUTPUT 5
9	Y	INPUT 2
10	R	INPUT 4
11	LG	INPUT 1
12	P	OUTPUT 1
13	BR	INPUT 5
14	G	OUTPUT 2

Connector No.	M37
Connector Name	STEERING ANGLE SENSOR
Connector Type	TH08FV-NH



Terminal No.	Color Of Wire	Signal Name [Specification]
1	L	CANH
2	P	CANH
7	B	GROUND
8	G	IGN

Connector No.	M41
Connector Name	WIRE TO WIRE
Connector Type	M033MV-LC



Terminal No.	Color Of Wire	Signal Name [Specification]
1	W	-
2	Y	-
3	R	-

POWER SUPPLY ROUTING CIRCUIT

< DTC/CIRCUIT DIAGNOSIS >

[POWER SUPPLY & GROUND CIRCUIT]

IGNITION POWER SUPPLY

Connector No.	M42
Connector Name	WIRE TO WIRE
Connector Type	M03FW-LC



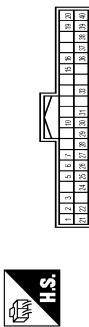
Terminal No.	Color Of Wire	Signal Name [Specification]
1	W	-
2	Y	-
3	R	-

Connector No.	M45
Connector Name	LANE DEPARTURE WARNING BUZZER
Connector Type	MS04FBR-CS



Terminal No.	Color Of Wire	Signal Name [Specification]
1	W	-
2	R	-
3	B	-

Connector No.	M53
Connector Name	COMBINATION METER
Connector Type	TH00FM-NH



Terminal No.	Color Of Wire	Signal Name [Specification]
1	GR	BATTERY POWER SUPPLY
2	LG	COMMUNICATION SIGNAL (METER AMP.)
3	GR	COMMUNICATION SIGNAL (AMP-METER GROUND)
6	B	AIR TERNATOR SIGNAL
7	BR	AIR BAG SIGNAL
10	G	SECURITY SIGNAL
15	B	GROUND
16	B	METER CONTROL SWITCH GROUND
19	B	ILL GND
20	R	ILL
21	BG	IGNITION SIGNAL
22	B	GROUND
24	BR	COMMUNICATION SIGNAL (LCD-AMP.)
25	Y	COMMUNICATION SIGNAL (AMP-I, LCD)
26	R	VEHICLE SPEED SIGNAL (8-PULSE)
27	V	PARKING BRAKE SWITCH SIGNAL
28	W	BRAKE FLUID LEVEL SWITCH SIGNAL
29	SB	SEAT BELT BUCKLE SWITCH SIGNAL (DRIVER SEAT)
30	G	SEAT BELT BUCKLE SWITCH SIGNAL (PASSENGER SEAT)
31	L	WASHER LEVEL SWITCH SIGNAL
33	B	ILLUMINATION CONTROL SIGNAL
36	LG	SELECT SWITCH SIGNAL
37	SB	ENTER SWITCH SIGNAL
38	L	TRIP AIR RESET SWITCH SIGNAL
39	P	ILLUMINATION CONTROL SWITCH SIGNAL (1)
40	BG	ILLUMINATION CONTROL SWITCH SIGNAL (2)

Connector No.	M67
Connector Name	UNIFIED METER AND A/C AMP.
Connector Type	TH02FM-NH



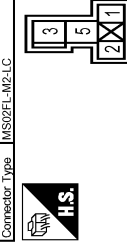
Terminal No.	Color Of Wire	Signal Name [Specification]
41	V	ACC POWER SUPPLY
42	Y	FUEL LEVEL SENSOR SIGNAL
43	R	INTAKE SENSOR SIGNAL
44	LG	IN-VEHICLE SENSOR SIGNAL
45	P	AMBIENT SENSOR SIGNAL
46	BG	SUNLOAD SENSOR SIGNAL
47	G	SMART CAR/OUTSIDE COOLING/TEMPERATURE SENSOR SIGNAL
53	G	IGNITION POWER SUPPLY
54	Y	BATTERY POWER SUPPLY
55	B	GROUND
56	L	CANH
57	W	BRAKE FLUID LEVEL SWITCH SIGNAL
58	BR	FUEL LEVEL SENSOR GROUND
59	GR	INTAKE SENSOR GROUND
60	L	IN-VEHICLE SENSOR GROUND
61	BR	AMBIENT SENSOR GROUND
62	SB	SUNLOAD SENSOR GROUND
63	R	-
65	BG	ECV SIGNAL
69	L	A/C LAN SIGNAL
70	R	EACH DOOR MOTOR POWER SUPPLY
71	B	GROUND
72	P	CANH

Connector No.	M69
Connector Name	BACK-UP LAMP RELAY
Connector Type	MS02FL-M2-LC



Terminal No.	Color Of Wire	Signal Name [Specification]
1	L	-
2	W	-
3	R	-
5	BG	-

Connector No.	M70
Connector Name	HEATED SEAT RELAY
Connector Type	MS02FL-M2-LC



Terminal No.	Color Of Wire	Signal Name [Specification]
1	W	-
2	W	-
3	G	-
5	L	-

JRMWE9780GB

A
B
C
D
E
F
G
H
I
J
K
L
N
O
P

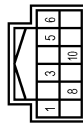
POWER SUPPLY ROUTING CIRCUIT

< DTC/CIRCUIT DIAGNOSIS >

[POWER SUPPLY & GROUND CIRCUIT]

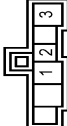
IGNITION POWER SUPPLY

Connector No.	M108
Connector Name	POWER STEERING CONTROL UNIT
Connector Type	TH2PW-NH



Terminal No.	Color Of Wire	Signal Name [Specification]
1	LG	EPS SOL+
3	G	IGN
5	B	EPS SOL-
6	B	GROUND
8	L	VEHICLE SPEED(2P)
10	R	ENG TACHD

Connector No.	M109
Connector Name	BLOWER MOTOR
Connector Type	NS33PW-M3



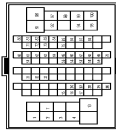
Terminal No.	Color Of Wire	Signal Name [Specification]
1	L	-
2	P	-
3	B	-

Connector No.	M116
Connector Name	WIRE TO WIRE
Connector Type	TK36MW-NS10



Terminal No.	Color Of Wire	Signal Name [Specification]
2	P	-
3	L	-
4	R	-
5	B	-
6	R	-
10	R	-
19	RG	-
20	Y	-
28	B	-
29	LG	-
31	W	-
33	B	-
34	B	-
35	L	-
36	P	-
37	Y	-
38	G	-
43	P	-
44	L	-
45	BR	-
46	BG	-

Connector No.	M117
Connector Name	WIRE TO WIRE
Connector Type	TH80MW-CS16-TM4



Terminal No.	Color Of Wire	Signal Name [Specification]
1	L	-
2	G	-
3	GR	-
4	SB	-
7	W	-
10	W	-
13	SB	-
16	V	-
17	BR	-
26	BR	-
27	LG	-
28	Y	-
29	Y	-
30	V	-
31	R	-
32	BR	-
33	G	-
51	R	-
55	W	-
56	B	-
57	R	-
58	G	-
59	SHIELD	-
60	V	-
61	LG	-
62	BR	-
63	L	-
64	LG	-
65	B	-
66	R	-
67	W	-
68	SHIELD	-
69	V	-
70	Y	-
71	SB	-
72	W	-

73	G	-
75	W	-
80	V	-
81	SB	-
82	V	-
83	P	-
84	R	-
85	L	-
86	BG	-
87	L	-
88	P	-
91	V	-
92	G	-
94	G	-
95	W	-
96	G	-
97	Y	-
98	BR	-
99	P	-
99	V	- [Without BOSE audio]
100	L	- [With BOSE audio]
100	SB	- [With BOSE audio]

Connector No.	M118
Connector Name	BCM (BODY CONTROL MODULE)
Connector Type	M03F-BLC



Terminal No.	Color Of Wire	Signal Name [Specification]
1	W	BAT (L)
2	W	POWER WINDOW POWER SUPPLY(BAT)
3	Y	POWER WINDOW POWER SUPPLY(RA/P)

JRMWE9781GB

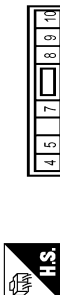
POWER SUPPLY ROUTING CIRCUIT

< DTC/CIRCUIT DIAGNOSIS >

[POWER SUPPLY & GROUND CIRCUIT]

IGNITION POWER SUPPLY

Connector No.	M119
Connector Name	BCM (BODY CONTROL MODULE)
Connector Type	NS16FV-CS



Terminal No.	Color Of Wire	Signal Name [Specification]
4	LG	INTERIOR ROOM LAMP POWER SUPPLY
5	L	PASSENGER DOOR UNLOCK OUTPUT
7	Y	STEP LAMP CONT
8	V	ALL DOOR, FUEL LID LOCK OUTPUT
9	G	DRIVER DOOR, FUEL LID UNLOCK OUTPUT
10	BR	REAR DOOR UNLOCK OUTPUT
11	R	BAT (FUSE)
13	B	GROUND
14	W	PUSH-BUTTON/IGNITION SW ILL GND
15	Y	ACC IND
17	W	TURN SIGNAL RH (FRONT)
18	BG	TURN SIGNAL LH (FRONT)
19	V	INT ROOM LAMP CONT

Connector No.	M121
Connector Name	BCM (BODY CONTROL MODULE)
Connector Type	TH40FGY-NH



Terminal No.	Color Of Wire	Signal Name [Specification]
34	SB	LUGGAGE ROOM ANTI-
35	V	LUGGAGE ROOM ANTI+
38	B	BACK DOOR ANTI-
39	W	BACK DOOR ANTI+
47	Y	IGN RELAY (PDM F/R) CONT
52	SB	STARTER RELAY CONT
60	BR	PUSH SW

61	W	BACK DOOR OPENER REQUEST SW
64	V	1-KEY WARN BUZZER (ENG ROOM)
65	BG	REAR WIPER STOP POSITION
66	R	BACK DOOR SW
67	GR	BACK DOOR OPENER SW
68	BR	REAR RH DOOR SW
69	R	REAR LH DOOR SW

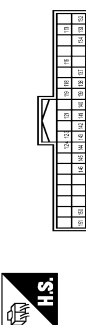
Connector No.	M122
Connector Name	BCM (BODY CONTROL MODULE)
Connector Type	TH40FB-NH



Terminal No.	Color Of Wire	Signal Name [Specification]
74	SB	PASSENGER DOOR ANTI-
75	GR	PASSENGER DOOR ANTI+
76	V	DRIVER DOOR ANTI-
77	LG	DRIVER DOOR ANTI+
78	Y	ROOM ANTI-
79	BR	ROOM ANTI+
80	GR	NATS ANTI AMP
81	W	NATS ANTI AMP
82	R	IGN RELAY (F/B) CONT
83	Y	KEYLESS ENTRY RECEIVER COMM
87	BR	COMBI SW INPUT 5
88	V	COMBI SW INPUT 3
90	P	CANH
91	L	CANL
92	LG	KEY SLOT ILL CONT
93	V	ON IND
94	Y	PUDDLE LAMP CONT
95	BG	ACC RELAY CONT
96	GR	AT SHIFT SELECTOR POWER SUPPLY
99	R	SHIFT P
100	G	PASSENGER DOOR REQUEST SW
101	SB	DRIVER DOOR REQUEST SW
102	BG	BLOWER FAN MOTOR RELAY CONT
103	LG	REFUELLER FILLER POWER SUPPLY
107	LG	COMBI SW INPUT 1
108	R	COMBI SW INPUT 4
109	Y	COMBI SW INPUT 2

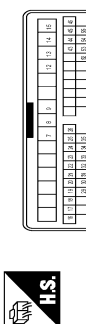
110	G	HAZARD SW
-----	---	-----------

Connector No.	M123
Connector Name	BCM (BODY CONTROL MODULE)
Connector Type	TH40FG-NH



Terminal No.	Color Of Wire	Signal Name [Specification]
113	BP	OPTICAL SENSOR
116	SB	STOP LAMP SW 1
118	P	STOP LAMP SW 2
119	SB	DR DOOR UNLOCK SENSOR
121	BR	KEY SLOT SW
123	W	IGN I7/B
124	LG	PASSENGER DOOR SW
132	BR	POWER WINDOW SW COMM
133	W	PUSH-BUTTON/IGNITION SW ILL POWER
134	GR	LOCK IND
137	BG	RECEIVER/SENSOR GND
138	Y	RECEIVER/SENSOR POWER SUPPLY
139	L	TIRE PRESSURE RECEIVER COMM
140	GR	SHIFT N/P
141	G	SECURITY IND LAMP CONT
142	BG	COMBI SW OUTPUT 5
143	P	COMBI SW OUTPUT 1
144	G	COMBI SW OUTPUT 2
145	L	COMBI SW OUTPUT 3
146	SB	COMBI SW OUTPUT 4
150	LG	DRIVER DOOR SW
151	G	REAR WINDOW DEFOGGER RELAY CONT

Connector No.	M124
Connector Name	WIRES TO WIRE
Connector Type	TH40MMV-CS15



Terminal No.	Color Of Wire	Signal Name [Specification]
7	Y	-
8	LG	-
12	L	-
13	V	-
14	B	-
15	W	-
16	BR	-
17	B	-
18	R	-
19	B	-
20	W	- [Without BOSE audio]
21	G	- [With BOSE audio]
22	L	- [Without BOSE audio]
23	GR	-
24	G	-
25	Y	-
26	R	-
29	SHIELD	-
30	W	-
31	LG	-
32	G	-
33	BR	-
34	V	-
35	G	-
43	L	-
44	Y	-
45	R	-
46	W	-
52	R	-
53	G	-
54	W	-
55	BG	-

A
B
C
D
E
F
G
H
I
J
K
L
PG
N
O
P

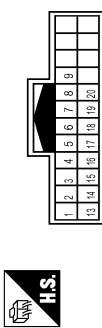
POWER SUPPLY ROUTING CIRCUIT

< DTC/CIRCUIT DIAGNOSIS >

[POWER SUPPLY & GROUND CIRCUIT]

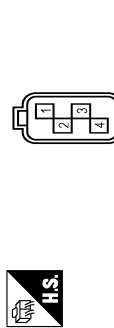
IGNITION POWER SUPPLY

Connector No.	M134
Connector Name	WIRE TO WIRE
Connector Type	TH24MV-NH



Terminal No.	Color Of Wire	Signal Name [Specification]
1	R	-
2	R	-
3	BR	-
4	B	-
5	B	-
6	V	-
7	B	-
8	B	-
9	B	-
10	W	-
11	W	-
12	W	-
13	W	-
14	W	-
15	Y	-
16	P	-
17	B	-
18	L	-
19	Y	-
20	L	-

Connector No.	M143
Connector Name	YAW RATE / SIDE G SENSOR
Connector Type	AAZ04FB-S



Terminal No.	Color Of Wire	Signal Name [Specification]
1	B	-
2	Y	-
3	SB	-

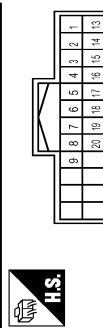
4	G	-
---	---	---

Connector No.	M160
Connector Name	IONIZER
Connector Type	TH04FV-NH



Terminal No.	Color Of Wire	Signal Name [Specification]
1	Y	IGN
2	R	GROUND
3	B	GROUND
4	L	IGN ON/OFF

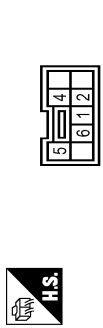
Connector No.	M170
Connector Name	WIRE TO WIRE
Connector Type	TH24FV-NH



Terminal No.	Color Of Wire	Signal Name [Specification]
1	R	-
2	R	-
3	BR	-
4	B	-
5	SB	-
6	GR	-
7	V	-
8	BR	-
9	B	-
10	W	-
11	W	-
12	W	-
13	W	-
14	W	-
15	Y	-
16	P	-

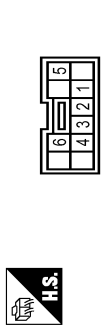
17	L	-
18	G	-
19	Y	-
20	R	-

Connector No.	M176
Connector Name	SNOW MODE SWITCH
Connector Type	TK08FW



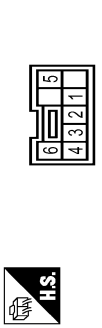
Terminal No.	Color Of Wire	Signal Name [Specification]
1	BR	-
2	B	-
3	Y	-
4	P	-
5	L	-
6	SB	-

Connector No.	M177
Connector Name	HEATED SEAT SWITCH (DRIVER SIDE)
Connector Type	TK10FW



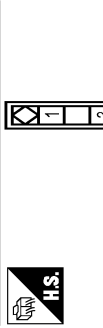
Terminal No.	Color Of Wire	Signal Name [Specification]
1	GR	-
2	L	-
3	R	-
4	W	-
5	W	-
6	B	-

Connector No.	M178
Connector Name	HEATED SEAT SWITCH (PASSENGER SIDE)
Connector Type	TK08FBR



Terminal No.	Color Of Wire	Signal Name [Specification]
1	SB	-
2	GR	-
3	R	-
4	W	-
5	W	-
6	B	-

Connector No.	M186
Connector Name	ICC WARNING CHIME
Connector Type	A03FW



Terminal No.	Color Of Wire	Signal Name [Specification]
1	GR	-
3	W	-

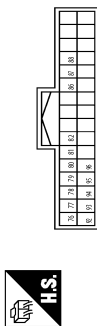
POWER SUPPLY ROUTING CIRCUIT

[POWER SUPPLY & GROUND CIRCUIT]

< DTC/CIRCUIT DIAGNOSIS >

IGNITION POWER SUPPLY

Connector No.	M204
Connector Name	AV CONTROL UNIT
Connector Type	TH32FV-NH



Terminal No.	Color Of Wire	Signal Name [Specification]
76	LG	AV COMM (L)
77	SB	AV COMM (H)
78	LG	AV COMM (L)
79	SB	AV COMM (H)
80	P	CAN-L
81	L	CAN-H
82	B	SV GND
86	SHIELD	SHIELD
87	L	TEL VOICE SIGNAL (+)
88	P	TEL VOICE SIGNAL (-)
92	R	VEHICLE SPEED SIGNAL (8-PULSE)
93	V	PARKING BRAKE SIGNAL
94	BG	REVERSE SIGNAL
95	G	IGNITION SIGNAL
96	Y	DISK EJECT SIGNAL

Connector No.	M210
Connector Name	AV CONTROL UNIT
Connector Type	TH32FV-NH



Terminal No.	Color Of Wire	Signal Name [Specification]
65	V	PARKING BRAKE SIGNAL
67	G	COMPOSITE IMAGE SIGNAL GND
68	R	COMPOSITE IMAGE SIGNAL
71	SHIELD	MICROPHONE SHIELD
72	R	MICROPHONE VCC

IGNITION POWER SUPPLY

73	R	COMM (CONT-DISP)
74	P	CAN-L
75	LG	AV COMM (L)
76	LG	AV COMM (L)
79	R	ILLUMINATION
80	G	IGNITION SIGNAL
81	BG	REVERSE SIGNAL
82	R	VEHICLE SPEED SIGNAL (8-PULSE)
83	SHIELD	SHIELD
87	G	MICROPHONE SIGNAL
88	G	SHIELD
89	G	COMM (DISP-CONT)
90	L	CAN-H
91	SB	AV COMM (H)
92	SB	AV COMM (H)

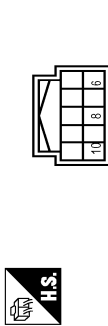
Connector No.	M213
Connector Name	AIR BAG DIAGNOSIS SENSOR UNIT
Connector Type	IN4287-EX



Terminal No.	Color Of Wire	Signal Name [Specification]
23	Y	INFLATOR AS2+
24	Y	INFLATOR AS2-
25	Y	INFLATOR AS1-
26	Y	INFLATOR AS1+
27	B	GND
28	Y	INFLATOR DR2+
29	Y	INFLATOR DR1-&DR2-
30	Y	INFLATOR DR1+
31	V	ECZS-
35	BR	AIR W/L
38	G	SEATBELT W/L
39	SHIELD	GND
41	SB	ECZS+
45	P	CAN LO
46	L	CAN HI
47	R	AIR CUTOFF-TELLTALE
50	R	IGN

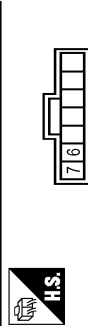
IGNITION POWER SUPPLY

Connector No.	R3
Connector Name	AUTO ANTI-DAZZLING INSIDE MIRROR
Connector Type	TH10FB-NH



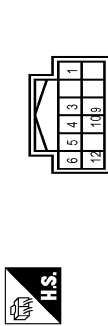
Terminal No.	Color Of Wire	Signal Name [Specification]
6	BR	IGN
8	B	GROUND
10	G	BAT

Connector No.	R6
Connector Name	AUTO ANTI-DAZZLING INSIDE MIRROR
Connector Type	JAA07FB



Terminal No.	Color Of Wire	Signal Name [Specification]
6	B	-
7	W	-

Connector No.	R8
Connector Name	LANE CAMERA UNIT
Connector Type	TH12FV-NH



Terminal No.	Color Of Wire	Signal Name [Specification]
1	Y	IGNITION
3	R	BUZZER OUTPUT
4	SB	WARNING SYSTEMS ON LIND
5	P	CAN-L
6	B	GROUND
9	V	WARNING SYSTEMS SVW
10	L	CAN-H
12	B	GROUND

A
B
C
D
E
F
G
H
I
J
K
L
N
O
P

PG

POWER SUPPLY ROUTING CIRCUIT

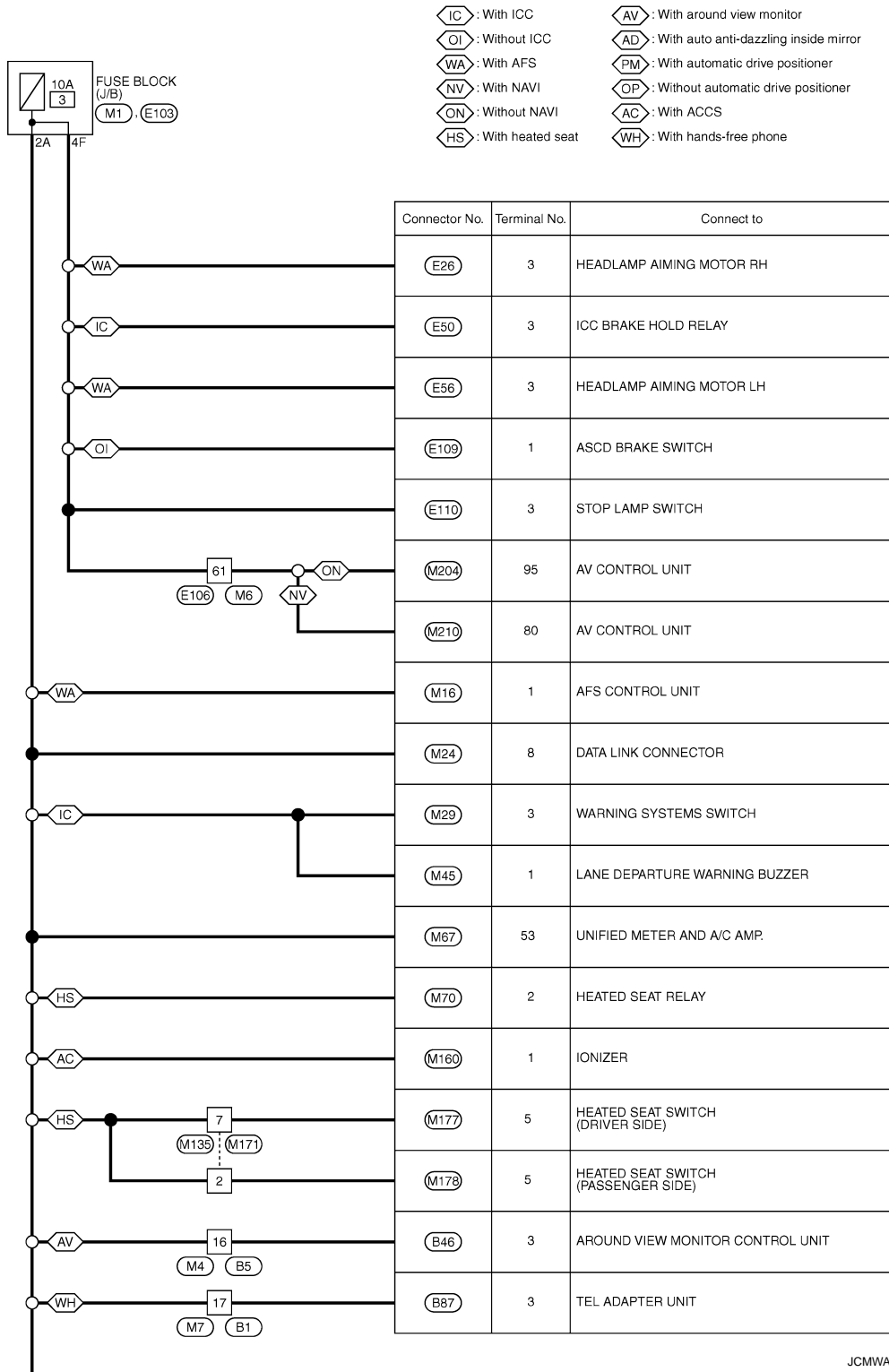
< DTC/CIRCUIT DIAGNOSIS >

[POWER SUPPLY & GROUND CIRCUIT]

Wiring Diagram - IGNITION POWER SUPPLY FUSE No. 3 -

INFOID:000000008286452

IGNITION POWER SUPPLY FUSE No. 3

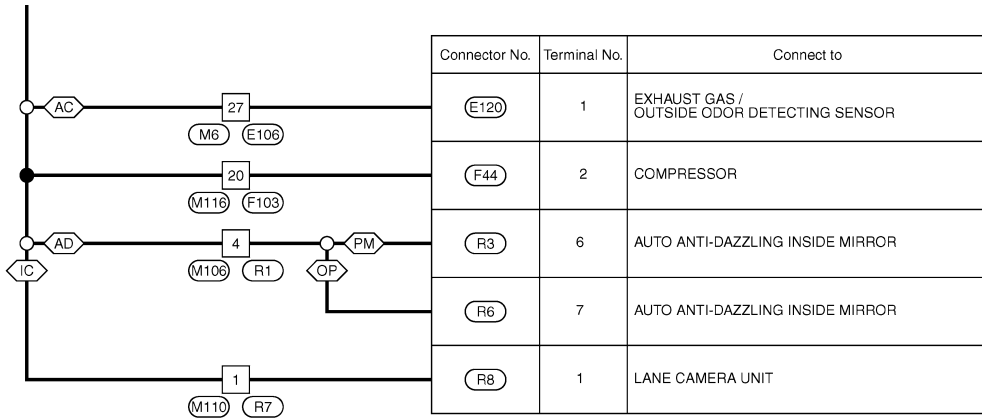


JCMWA6269GB

POWER SUPPLY ROUTING CIRCUIT

< DTC/CIRCUIT DIAGNOSIS >

[POWER SUPPLY & GROUND CIRCUIT]



A
B
C
D
E
F
G
H
I
J
K
L
PG
N
O
P

2010/09/21

JCMWA6270GB

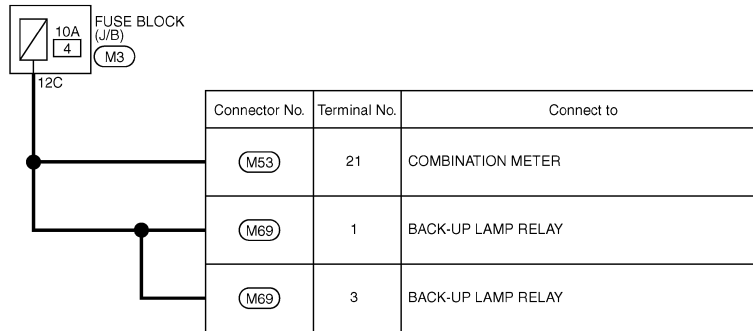
POWER SUPPLY ROUTING CIRCUIT

< DTC/CIRCUIT DIAGNOSIS >

[POWER SUPPLY & GROUND CIRCUIT]

Wiring Diagram - IGNITION POWER SUPPLY FUSE No. 4 - IGNITION POWER SUPPLY FUSE No. 4

INFOID:000000008286453



2008/08/28

JCMWA3210GB

POWER SUPPLY ROUTING CIRCUIT

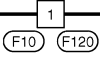
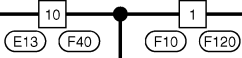
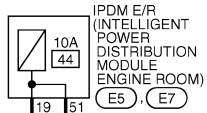
< DTC/CIRCUIT DIAGNOSIS >

[POWER SUPPLY & GROUND CIRCUIT]

Wiring Diagram - IGNITION POWER SUPPLY FUSE No. 44 -

INFOID:000000008286454

IGNITION POWER SUPPLY FUSE No. 44



Connector No.	Terminal No.	Connect to
F21	1	FUEL INJECTOR No. 1
F22	1	FUEL INJECTOR No. 2
F23	1	FUEL INJECTOR No. 3
F24	1	FUEL INJECTOR No. 4
F25	1	FUEL INJECTOR No. 5
F26	1	FUEL INJECTOR No. 6
F102	53	ECM
M123	123	BCM (BODY CONTROL MODULE)

A
B
C
D
E
F
G
H
I
J
K
L
N
O
P

PG

2012/06/11

JRMWD2735GB

POWER SUPPLY ROUTING CIRCUIT

< DTC/CIRCUIT DIAGNOSIS >

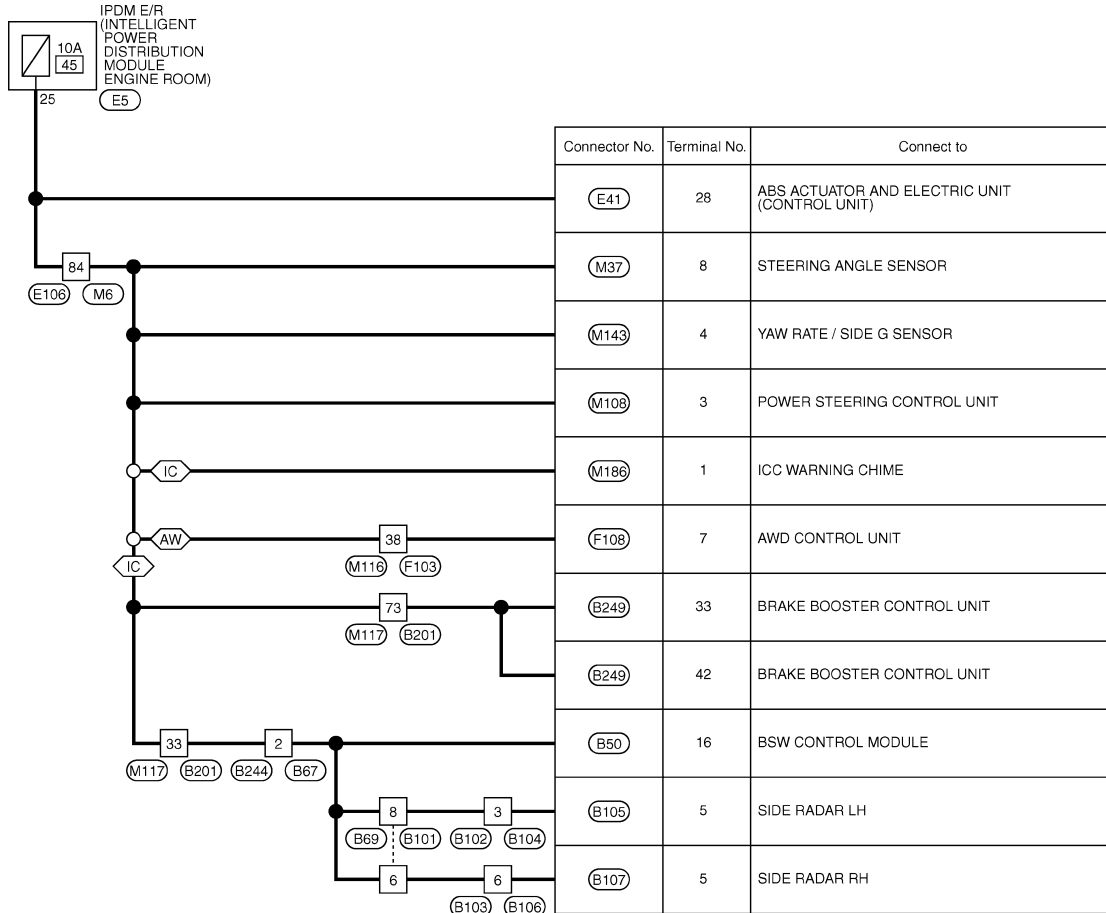
[POWER SUPPLY & GROUND CIRCUIT]

Wiring Diagram - IGNITION POWER SUPPLY FUSE No. 45 -

INFOID:000000008286455

IGNITION POWER SUPPLY FUSE No. 45

AW: AWD models
 IC: With ICC



2010/09/21

JCMWA6284GB

POWER SUPPLY ROUTING CIRCUIT

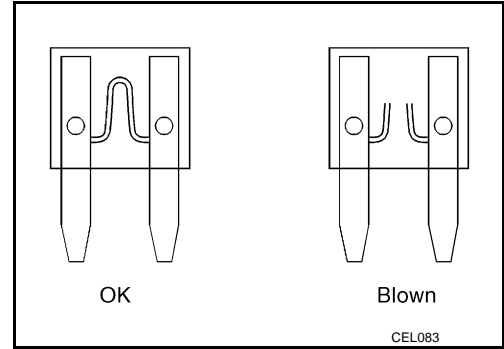
< DTC/CIRCUIT DIAGNOSIS >

[POWER SUPPLY & GROUND CIRCUIT]

Fuse

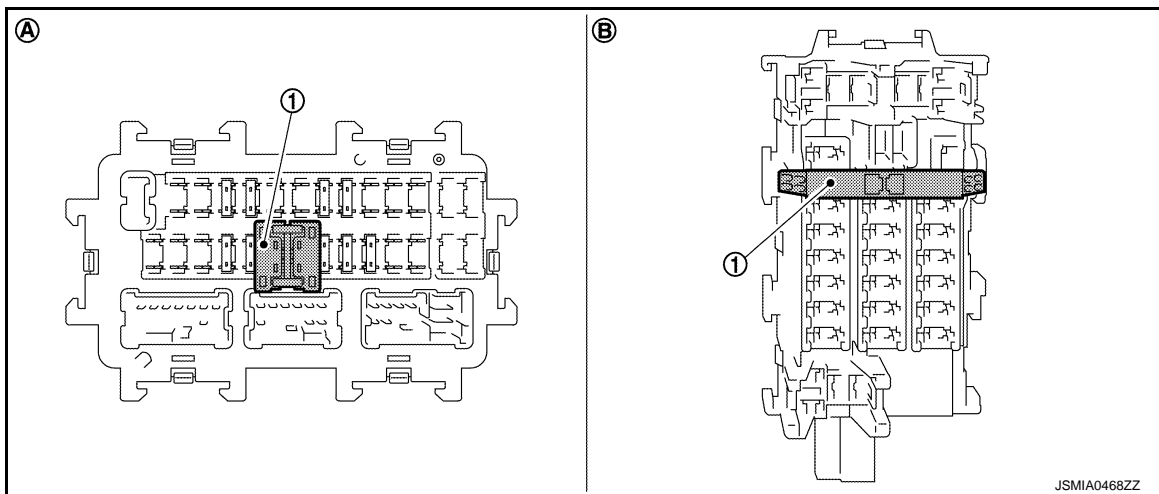
INFOID:000000008286456

- If fuse is blown, be sure to eliminate cause of malfunction before installing new fuse.
- Use fuse of specified rating. Never use fuse of more than specified rating.
- Do not partially install fuse; always insert it into fuse holder properly.
- Remove fuse for "ELECTRICAL PARTS (BAT)" if vehicle is not used for a long period of time.



EXTENDED STORAGE SWITCH (IF EQUIPPED)

The following switch may be mounted on the fuse block (Junction Box) for transportation and storage.



1. Extended storage switch

A. Type A

B. Type B

- Remove the extended storage switch when replacing fuse.
- Remove the extended storage switch if it causes the interference when the fuse or the other fuses is checked.

How To Extended Storage Switch ON/OFF

CAUTION:

- Turn the ignition switch OFF when operating the extended storage switch.
- Under normal conditions, keep the extended storage switch in ON state. Never operate the extended storage switch except when necessary.

A
B
C
D
E
F
G
H
I
J
K
L
N
O
P

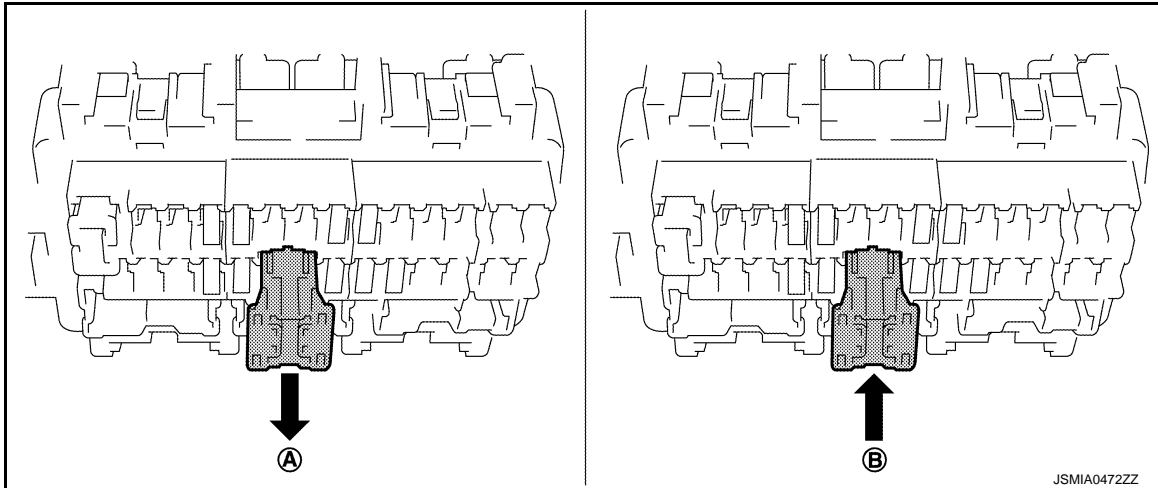
PG

POWER SUPPLY ROUTING CIRCUIT

< DTC/CIRCUIT DIAGNOSIS >

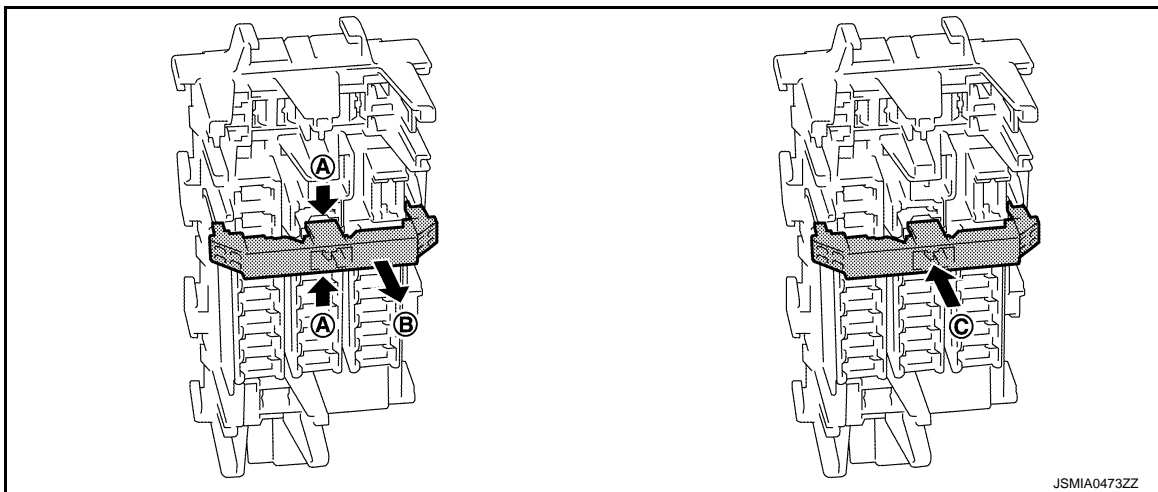
[POWER SUPPLY & GROUND CIRCUIT]

• Type A



- To turn the extended storage switch OFF, pull it up in (A) direction as shown in the figure.
- To turn the extended storage switch ON, press it in (B) direction as shown in the figure.

• Type B

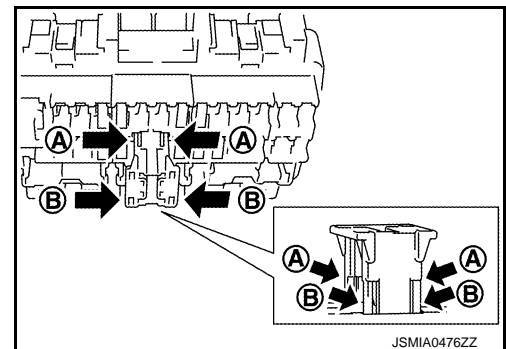


- To turn the extended storage switch OFF, hold (A) of the switch and pull up in (B) direction as shown in the figure.
- To turn the extended storage switch ON, press it in (C) direction as shown in the figure.

How To Remove Extended Storage Switch

Type A

1. Turn the ignition switch OFF.
2. Turn the extended storage switch OFF.
3. Press pawl (A) and tilt to disengage the extended storage switch. Press pawl (B) and tilt to remove the extended storage switch.



NOTE:

- Extended storage switch and fuse are removed together. Remove fuse from extended storage switch, if necessary.

POWER SUPPLY ROUTING CIRCUIT

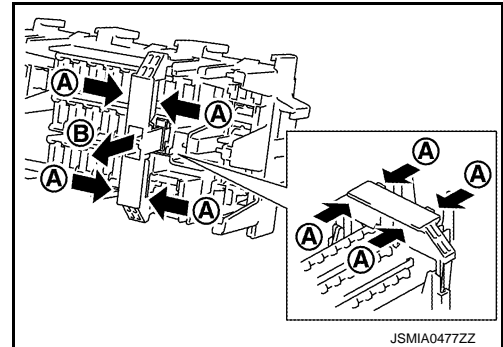
[POWER SUPPLY & GROUND CIRCUIT]

< DTC/CIRCUIT DIAGNOSIS >

- Extended storage switch is for transportation and storage. Reinstallation is not required after the removal.

Type B

- Turn the ignition switch OFF.
- Turn the extended storage switch OFF.
- Hold (A) and pull up the extended storage switch hard in (B) direction.



NOTE:

- Extended storage switch and fuse may be removed together. Remove fuse from extended storage switch, if necessary.
- Extended storage switch is for transportation and storage. Reinstallation is not required after the removal.

Fusible Link

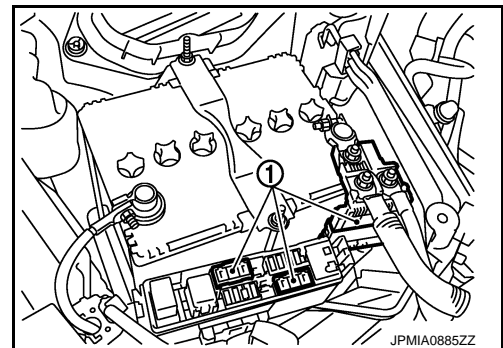
INFOID:000000008286457

A melted fusible link can be detected either by visual inspection or by feeling with finger tip. If its condition is questionable, use circuit tester or test lamp.

1 : Fusible link

CAUTION:

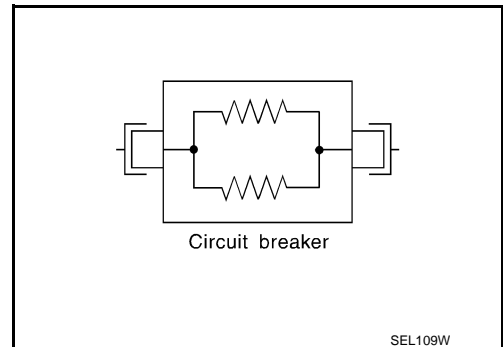
- If fusible link should melt, it is possible that critical circuit (power supply or large current carrying circuit) is shorted. In such a case, carefully check and eliminate cause of malfunction.
- Never wrap outside of fusible link with vinyl tape. Important: Never let fusible link touch any other wiring harness, vinyl or rubber parts.



Circuit Breaker

INFOID:000000008286458

The PTC thermistor generates heat in response to current flow. The temperature (and resistance) of the thermistor element varies with current flow. Excessive current flow will cause the element's temperature to rise. When the temperature reaches a specified level, the electrical resistance will rise sharply to control the circuit current. Reduced current flow will cause the element to cool. Resistance falls accordingly and normal circuit current flow is allowed to resume.



OPTION HARNESS

< DTC/CIRCUIT DIAGNOSIS >

[POWER SUPPLY & GROUND CIRCUIT]

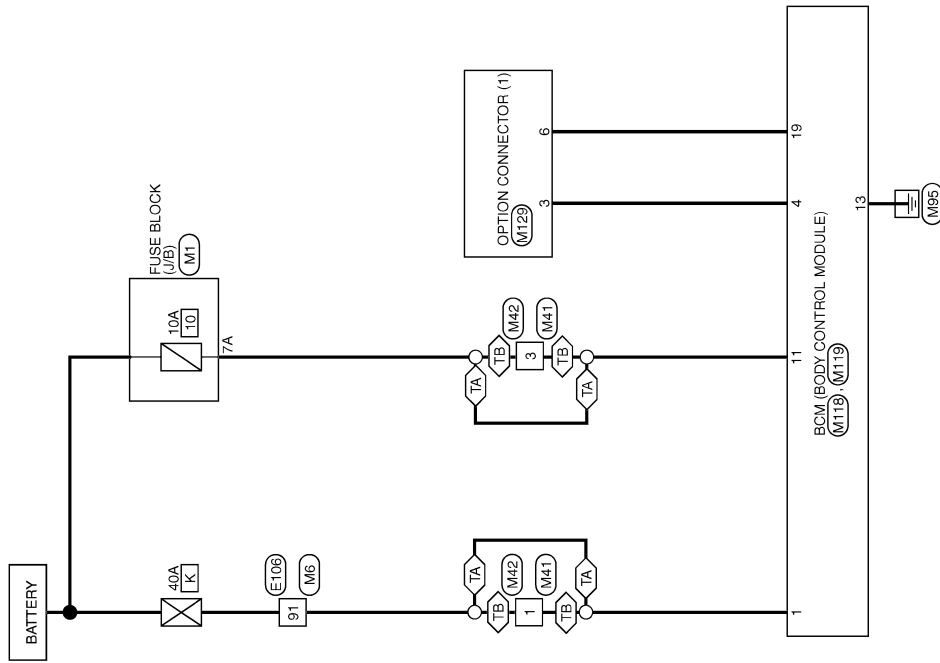
OPTION HARNESS

Wiring Diagram - OPTION HARNESS -

INFOID:000000008720484

OPTION HARNESS

TA, TB: Refer to "Connector Information" in "HOW TO READ WIRING DIAGRAMS" in "GENERAL INFORMATION".



2013/11/22

JRMWE9536GB

OPTION HARNESS

< DTC/CIRCUIT DIAGNOSIS >

[POWER SUPPLY & GROUND CIRCUIT]

OPTION HARNESS

Connector No.	E106
Connector Name	WIRE TO WIRE
Connector Type	TH80FW-CS16-TM4

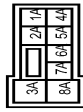


Terminal No.	Color Of Wire	Signal Name [Specification]
1	R	-
2	W	-
3	B	-
4	GR	-
5	GR	-
6	Y	-
7	BR	-
8	BR	-
9	EG	-
10	EG	-
11	SB	-
12	BG	-
13	L	-
14	R	-
15	P	-
16	V	-
17	SB	-
18	V	-
20	BG	-
21	L	-
22	V	-
23	G	-
24	P	-
25	Y	-
26	V	-
27	W	-
28	G	-
31	EG	-
32	W	-
33	B	-
34	R	-
35	G	-
36	SHIELD	-
37	V	-
38	BR	-
39	BR	-
41	W	-

42	G	-
43	BR	-
45	W	-
49	L	-
50	P	-
51	L	-
54	BG	-
57	BR	-
59	W	-
60	LG	-
61	G	-
62	SB	-
63	W	-
64	B	-
65	G	-
66	R	-
67	SHIELD	-
68	V	-
69	LG	-
70	W	-
71	R	-
72	Y	-
73	B	-
74	BR	-
74	L	- [With ICC]
75	G	- [Without ICC]
75	W	- [With ICC]
76	W	- [Without ICC]
76	Y	- [With ICC]
76	Y	- [Without ICC]
77	P	- [With ICC]
77	R	- [Without ICC]
78	BR	- [With ICC]
78	L	- [Without ICC]
79	L	- [With ICC]
79	Y	- [Without ICC]
80	SB	-
81	R	-
82	SB	-
83	BG	-
84	G	-
85	L	-
86	P	-
87	V	-
89	GR	-
90	SHIELD	-
91	W	-
92	V	-
93	V	-
94	LG	-

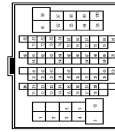
95	BG	-
96	P	-
97	R	-
98	SHIELD	-
99	L	-
100	P	-

Connector No.	M1
Connector Name	FUSE BLOCK (JIB)
Connector Type	NS06FW-M2



Terminal No.	Color Of Wire	Signal Name [Specification]
1A	GR	-
2A	G	-
3A	L	-
4A	P	-
4A	R	- [For push button]
5A	V	-
6A	Y	-
7A	R	-
8A	L	-

Connector No.	M6
Connector Name	WIRE TO WIRE
Connector Type	TH80MW-CS16-TM4



Terminal No.	Color Of Wire	Signal Name [Specification]
1	W	-
2	R	-
3	B	-
4	SHIELD	-
5	G	-
8	Y	-
9	BR	-
10	R	-
11	BR	-
12	BG	-
13	L	-
14	R	-
15	P	-
16	V	-
17	SB	-
18	V	-
20	BG	-
21	L	-
22	W	-
23	P	-
24	BR	-
25	Y	-
26	V	-
27	G	-
28	G	-
31	L	-
32	G	-
33	B	-
34	W	-
35	R	-
36	SHIELD	-
37	V	-
38	BG	-
39	BR	-
41	W	-
42	BG	-
43	BG	-
45	W	-
49	L	-
50	P	-
51	BR	-
54	Y	-
57	G	-
59	W	-
60	L	-
61	G	-
62	SB	-

A
B
C
D
E
F
G
H
I
J
K
L
PG
N
O
P

JRMWE9744GB

OPTION HARNESS


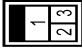
< DTC/CIRCUIT DIAGNOSIS >

[POWER SUPPLY & GROUND CIRCUIT]

OPTION HARNESS


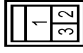
63	G	-	-	-	-
64	B	-	-	-	-
65	W	-	-	-	-
66	R	-	-	-	-
67	SHIELD	-	-	-	-
68	Y	-	-	-	-
69	GR	-	-	-	-
70	LG	-	-	-	-
71	LG	-	-	-	-
72	Y	-	-	-	-
73	SB	-	-	-	-
74	BR	-	[With ICC]	-	-
74	L	-	[Without ICC]	-	-
75	G	-	-	-	-
76	GR	-	[Without ICC]	-	-
76	W	-	[With ICC]	-	-
77	P	-	[Without ICC]	-	-
77	R	-	[With ICC]	-	-
78	L	-	[Without ICC]	-	-
78	R	-	[With ICC]	-	-
79	W	-	[Without ICC]	-	-
79	Y	-	[With ICC]	-	-
80	SB	-	-	-	-
81	SB	-	-	-	-
82	SB	-	-	-	-
83	V	-	-	-	-
84	G	-	-	-	-
85	L	-	-	-	-
86	P	-	-	-	-
87	W	-	-	-	-
89	GR	-	-	-	-
90	SHIELD	-	-	-	-
91	W	-	-	-	-
92	Y	-	-	-	-
93	BR	-	-	-	-
94	P	-	-	-	-
95	GR	-	-	-	-
96	W	-	-	-	-
97	L	-	-	-	-
98	SHIELD	-	-	-	-
99	V	-	-	-	-
100	SB	-	-	-	-

Connector No.	M41
Connector Name	WIRE TO WIRE
Connector Type	M03MMV-LC


Terminal No.	Color	Wire	Signal Name (Specification)
1	W	-	-
2	Y	-	-
3	R	-	-

Connector No.	M42
Connector Name	WIRE TO WIRE
Connector Type	M03PW-LC


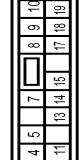
Terminal No.	Color	Wire	Signal Name (Specification)
1	W	-	-
2	Y	-	-
3	R	-	-

Connector No.	M118
Connector Name	BCM (BODY CONTROL MODULE)
Connector Type	M03FELC


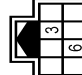
Terminal No.	Color	Wire	Signal Name (Specification)
1	W	-	BAT (E/L)
2	W	-	POWER WINDOW POWER SUPPLY(BAT)
3	Y	-	POWER WINDOW POWER SUPPLY(IG&P)

Connector No.	M119
Connector Name	BCM (BODY CONTROL MODULE)
Connector Type	NS16FW-CS

Terminal No.	Color	Wire	Signal Name (Specification)
4	LG	-	INTERIOR ROOM LAMP POWER SUPPLY
5	L	-	PASSENGER DOOR UNLOCK OUTPUT
7	Y	-	STEP LAMP CONT
8	V	-	ALL DOOR FUEL LID LOCK OUTPUT
9	G	-	DRIVER DOOR FUEL LID UNLOCK OUTPUT
10	BR	-	REAR DOOR UNLOCK OUTPUT
11	R	-	BAT (FUSE)
13	B	-	GROUND
14	W	-	PUSHBUTTON/IGNITION SW ILL GND
15	Y	-	ACC I/O
17	W	-	TURN SIGNAL RH (FRONT)
18	BG	-	TURN SIGNAL LH (FRONT)
19	V	-	INT ROOM LAMP CONT

Connector No.	M129
Connector Name	OPTION CONNECTOR (1)
Connector Type	TH08MMV-NH

Terminal No.	Color	Wire	Signal Name (Specification)
3	G	-	ROOM LAMP BAT SAVER(POWER)
6	R	-	ROOM LAMP OUTPUT

JRMWE9745GB

HARNESS LAYOUT

< DTC/CIRCUIT DIAGNOSIS >

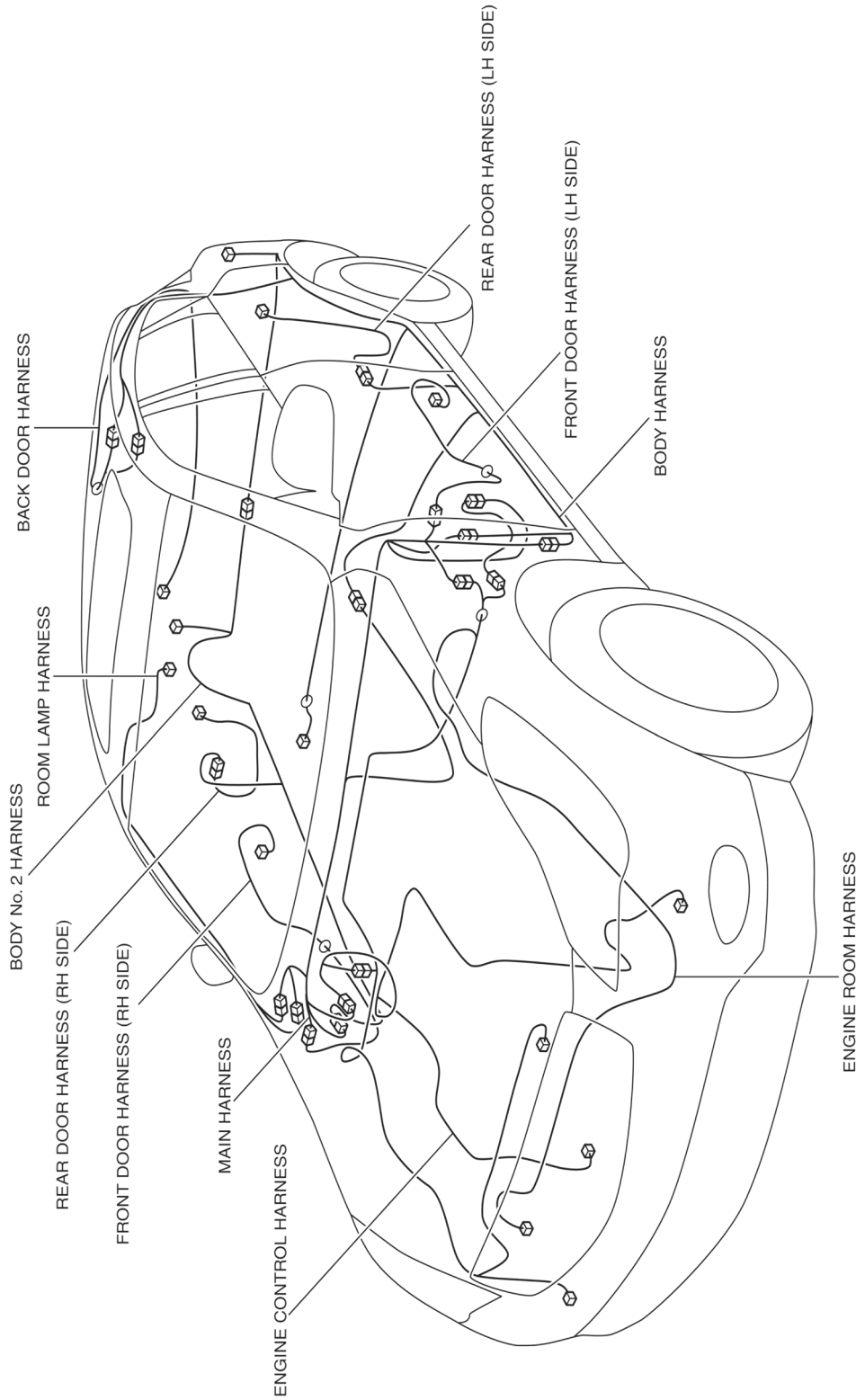
[POWER SUPPLY & GROUND CIRCUIT]

HARNESS LAYOUT

Outline

INFOID:000000008776111

OUTLINE



2012/06/11

JRMIC1843GB

A
B
C
D
E
F
G
H
I
J
K
L
PG
N
O
P

HARNES LAYOUT

< DTC/CIRCUIT DIAGNOSIS >

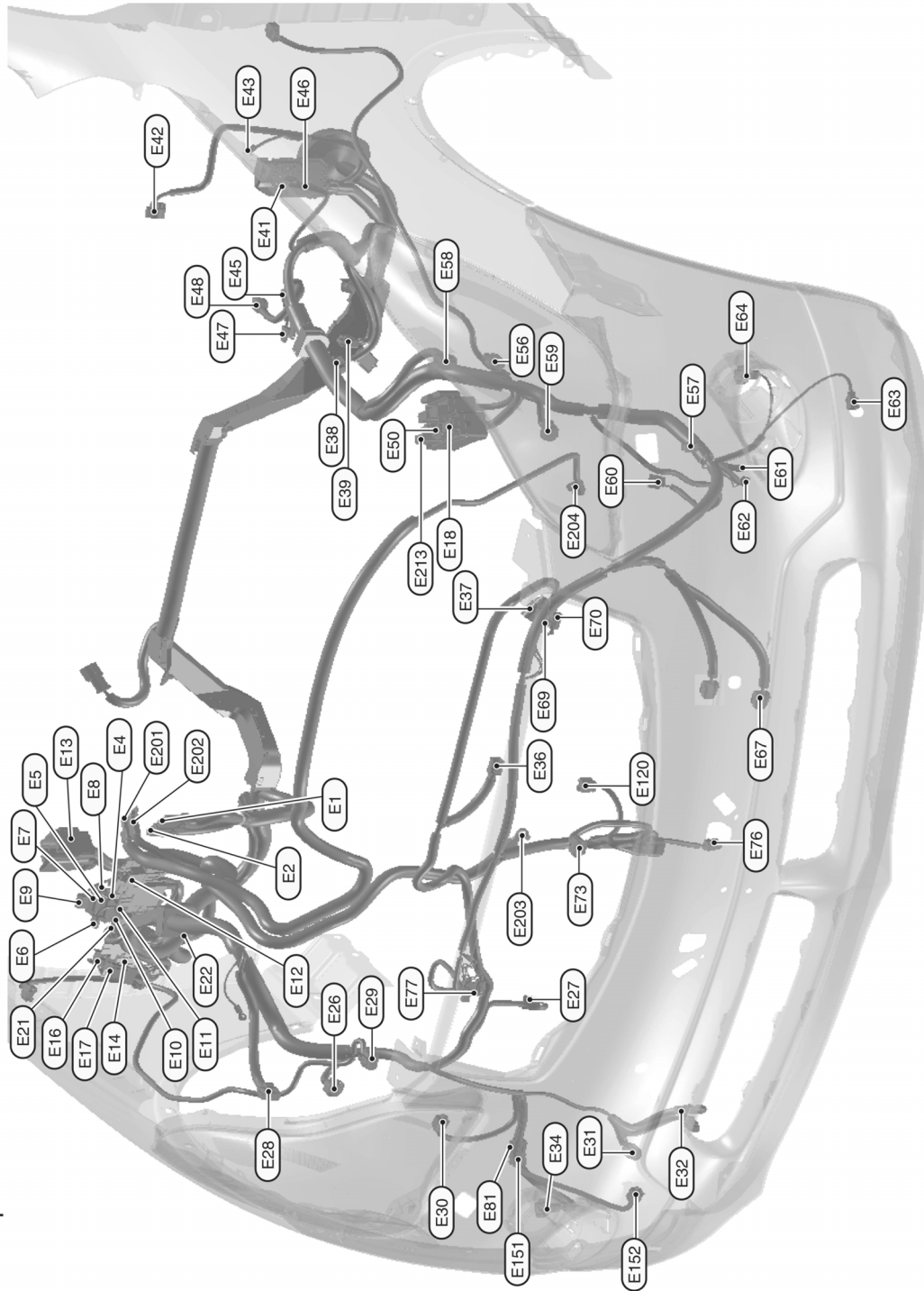
[POWER SUPPLY & GROUND CIRCUIT]

Engine Room Harness

INFOID:000000008286460

ENGINE COMPARTMENT

ENGINE ROOM HARNESS /
Engine Compartment



2012/06/11

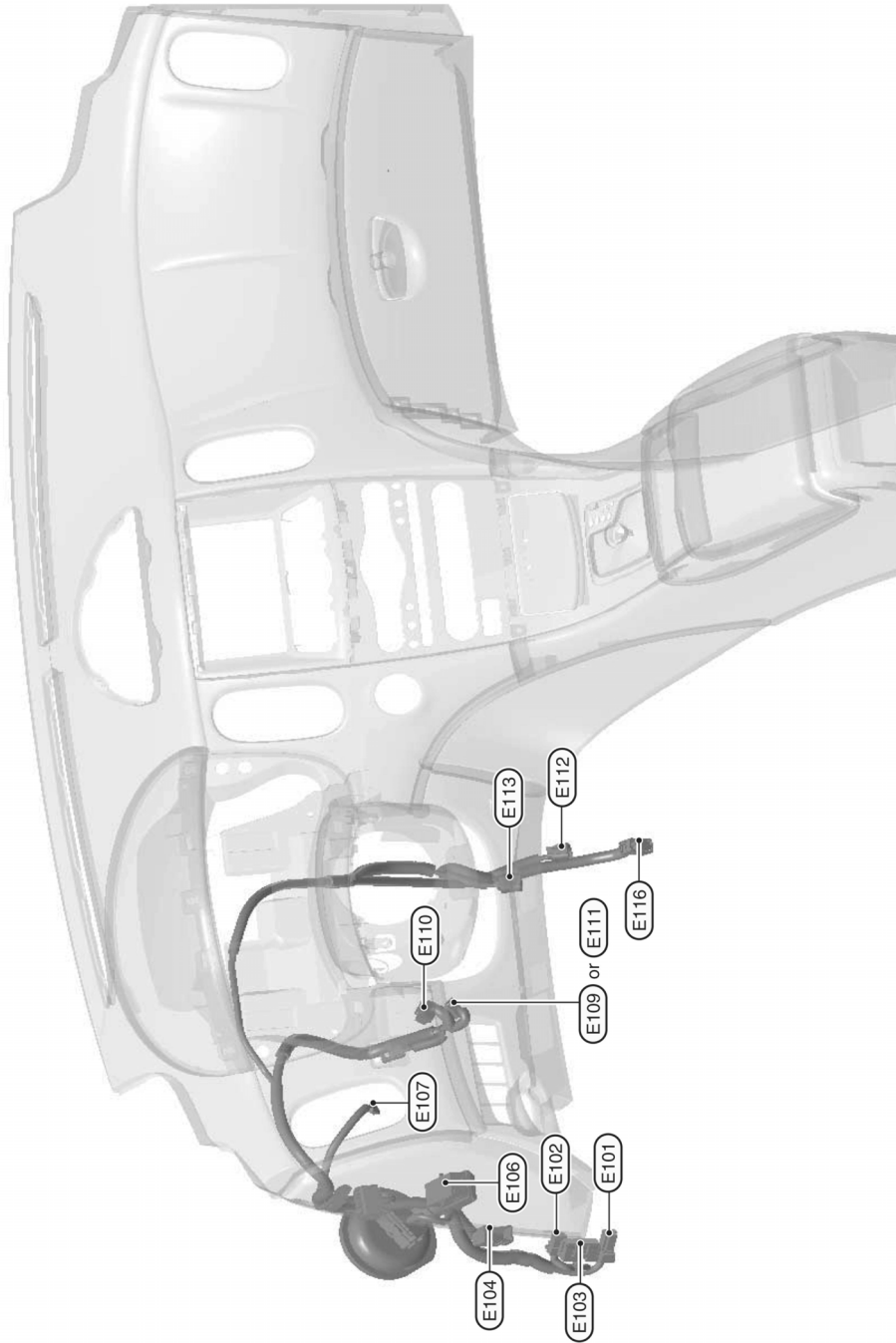
JRMIC1845GB

HARNES LAYOUT

< DTC/CIRCUIT DIAGNOSIS >
PASSENGER COMPARTMENT

[POWER SUPPLY & GROUND CIRCUIT]

Passenger Compartment



2012/06/11

JRMIC1846GB

A
B
C
D
E
F
G
H
I
J
K
L
PG
N
O
P

HARNESS LAYOUT

< DTC/CIRCUIT DIAGNOSIS >

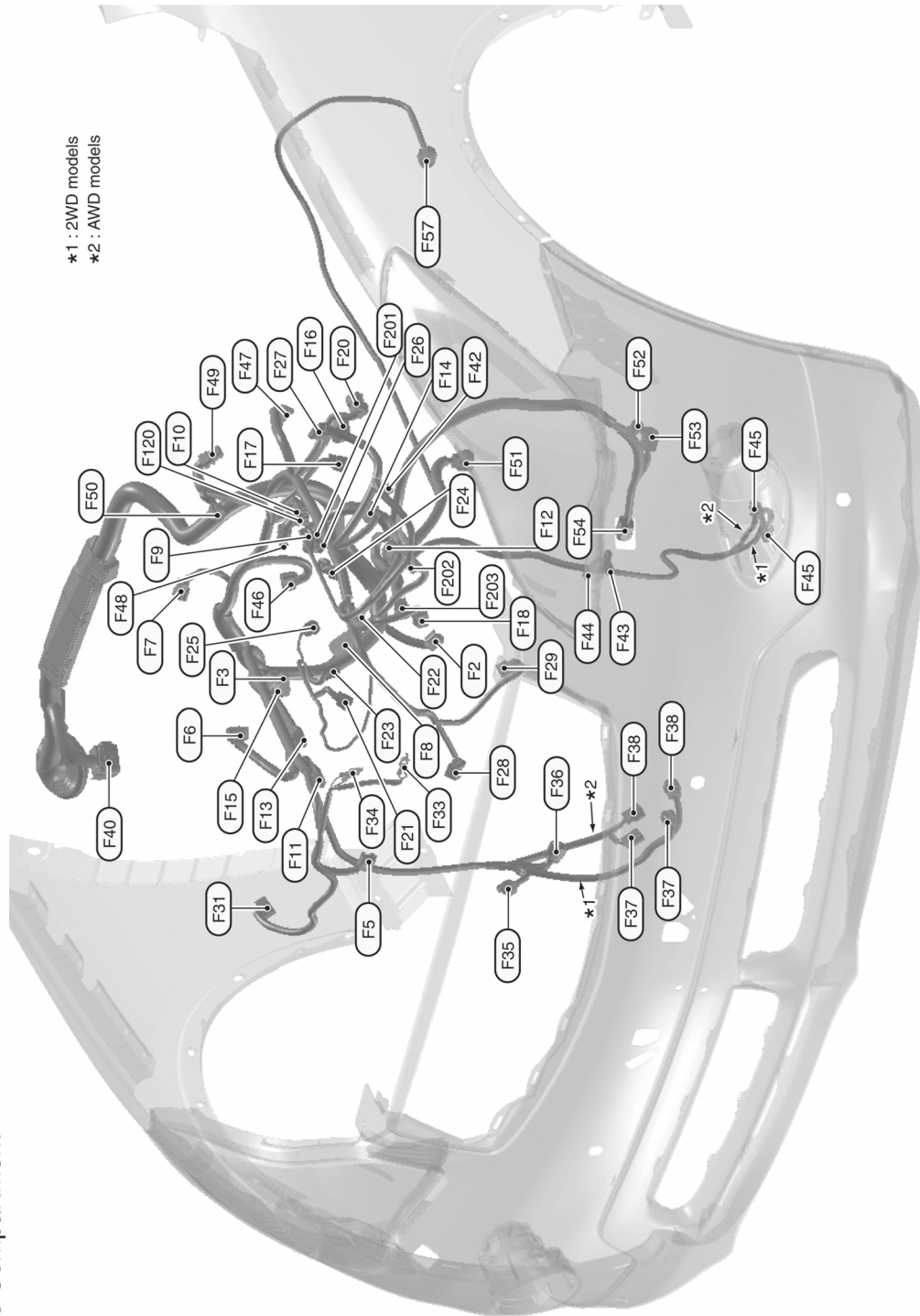
[POWER SUPPLY & GROUND CIRCUIT]

Engine Control Harness

INFOID:000000008286461

ENGINE COMPARTMENT

ENGINE CONTROL HARNESS /
Engine Compartment



*1 : 2WD models
*2 : AWD models

2012/06/11

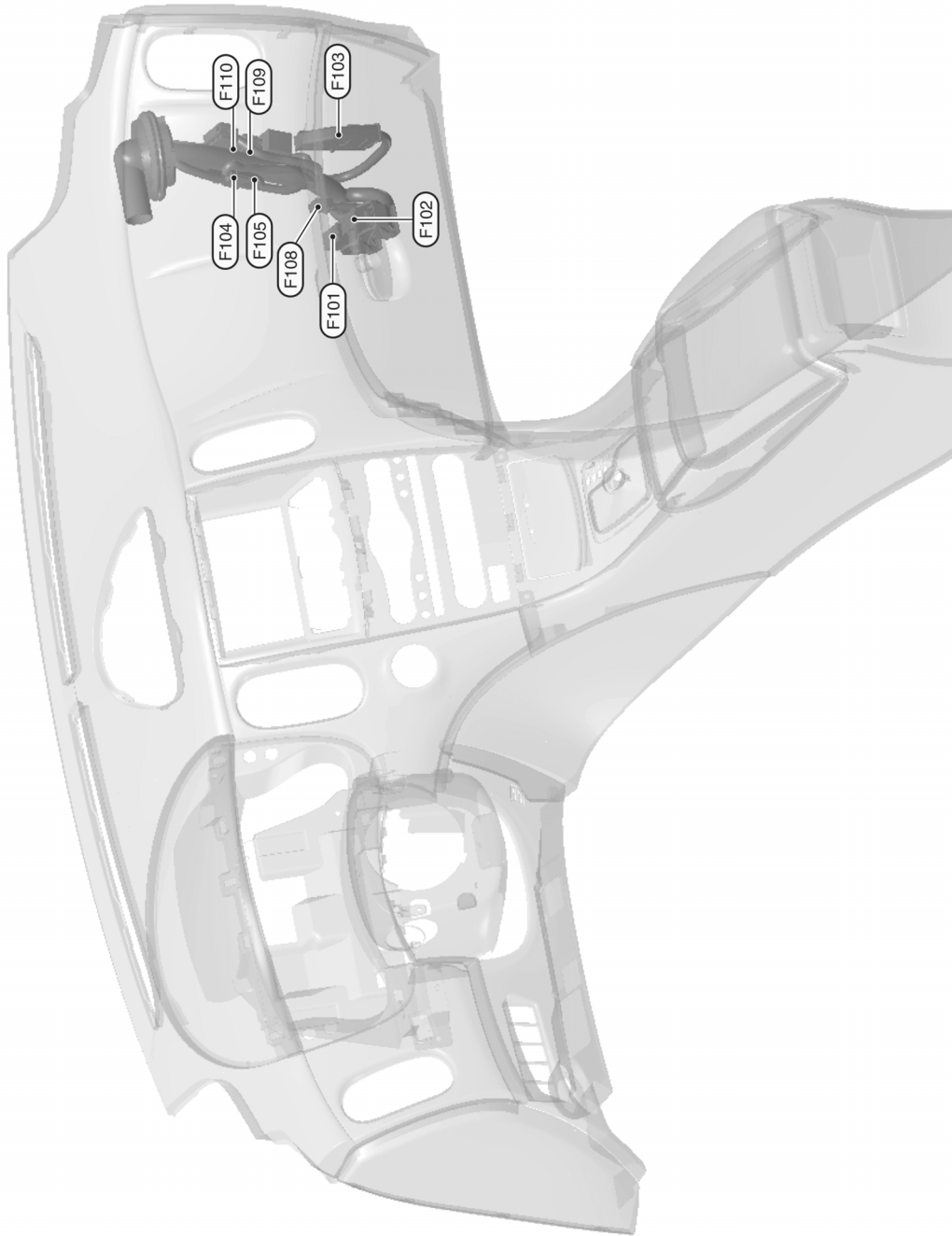
JRMIC1847GB

HARNES LAYOUT

< DTC/CIRCUIT DIAGNOSIS >
PASSENGER COMPARTMENT

[POWER SUPPLY & GROUND CIRCUIT]

Passenger Compartment



A
B
C
D
E
F
G
H
I
J
K
L
PG
N
O
P

2012/06/11

JRMIC1848GB

HARNESS LAYOUT

< DTC/CIRCUIT DIAGNOSIS >

[POWER SUPPLY & GROUND CIRCUIT]

Main Harness

INFOID:000000008286462

MAIN HARNESS



2013/11/22
JRMIC4172GB

HARNES LAYOUT

< DTC/CIRCUIT DIAGNOSIS >

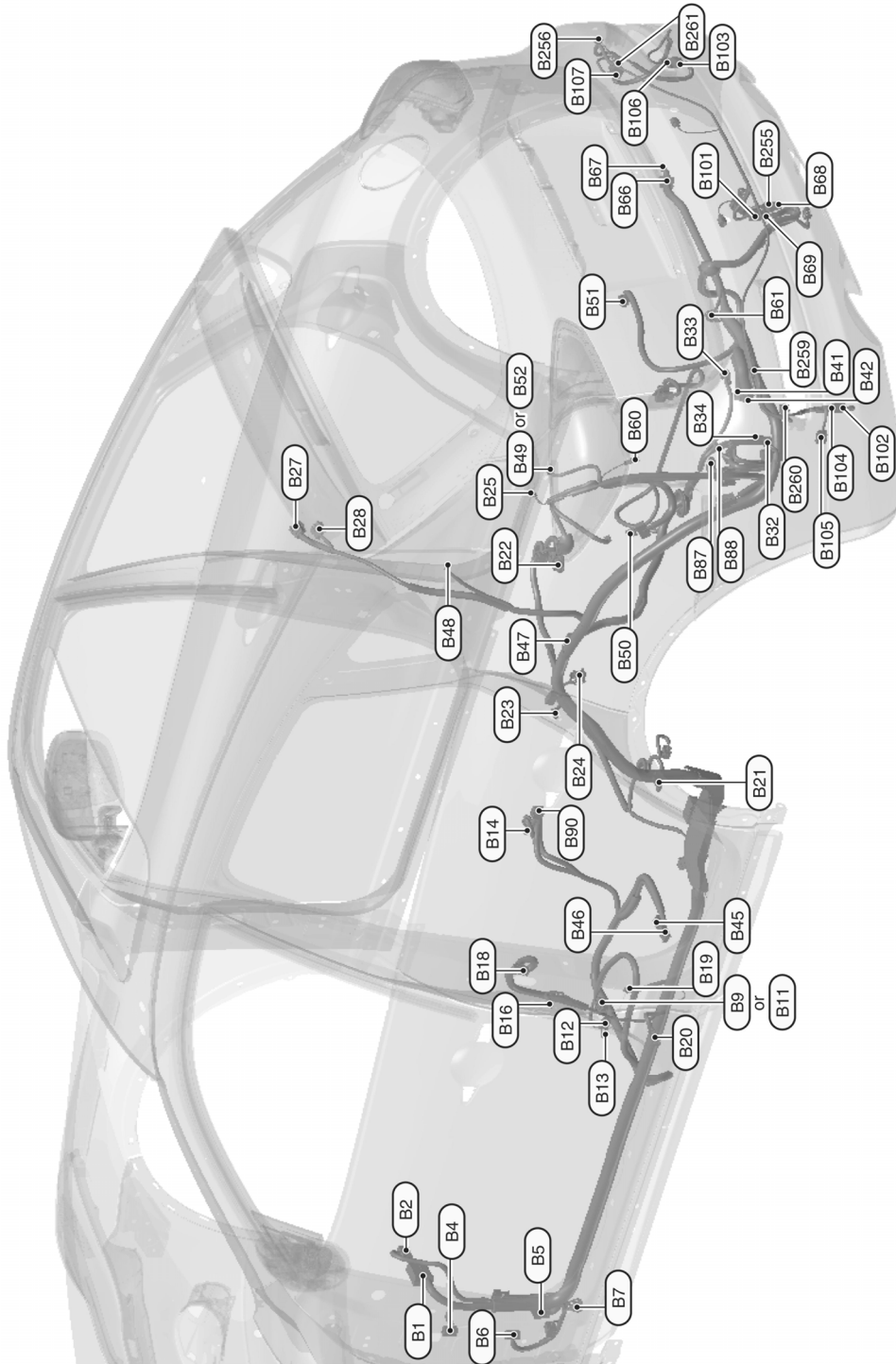
[POWER SUPPLY & GROUND CIRCUIT]

Body Harness

INFOID:000000008286463

BODY HARNESS

BODY HARNESS



A
B
C
D
E
F
G
H
I
J
K
L
PG
N
O
P

2012/06/11

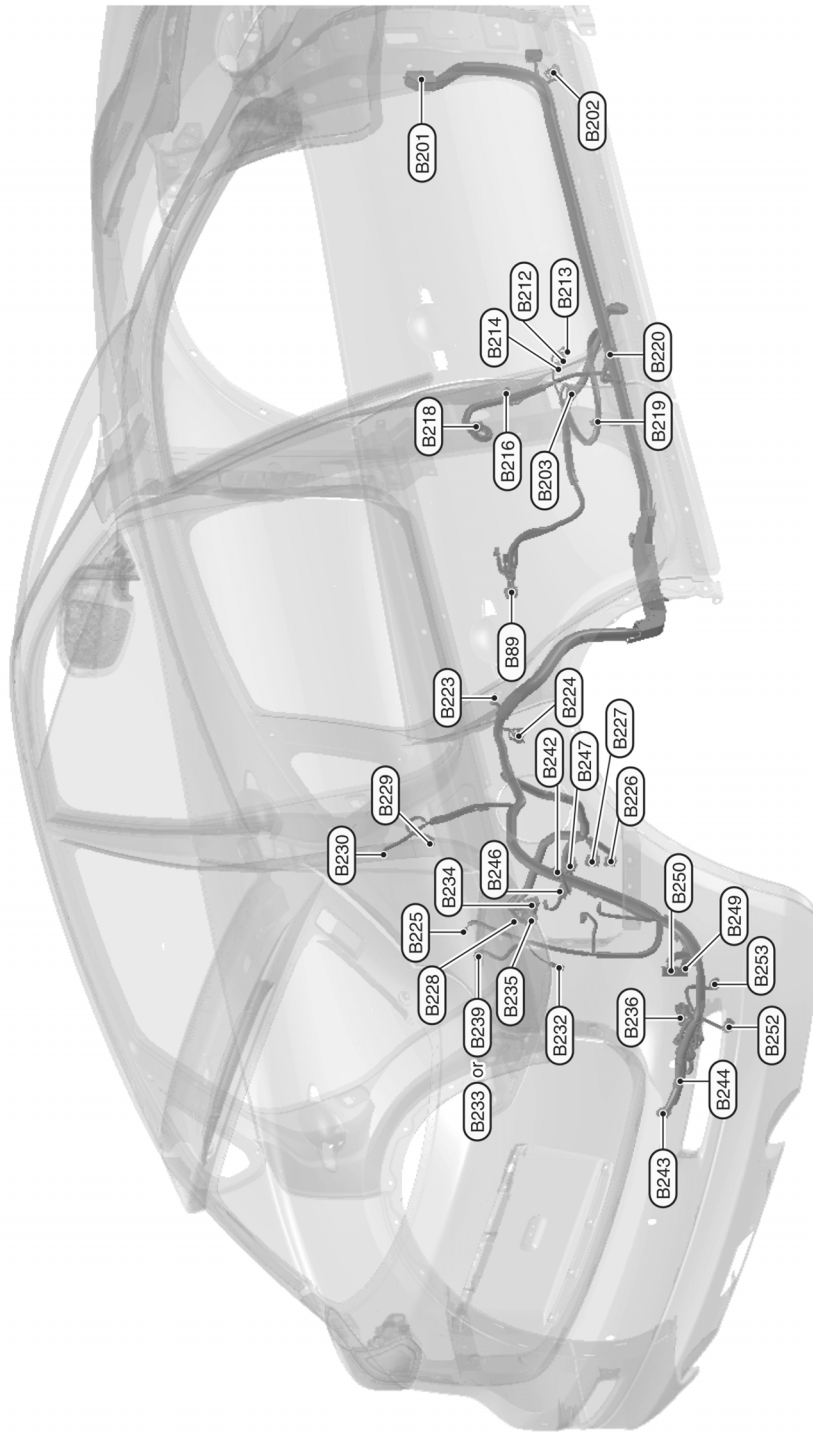
JRMIC1849GB

HARNESS LAYOUT

< DTC/CIRCUIT DIAGNOSIS >

[POWER SUPPLY & GROUND CIRCUIT]

BODY No. 2 HARNESS



BODY No. 2 HARNESS

JRMIC1850GB

2012/06/11

HARNES LAYOUT

< DTC/CIRCUIT DIAGNOSIS >

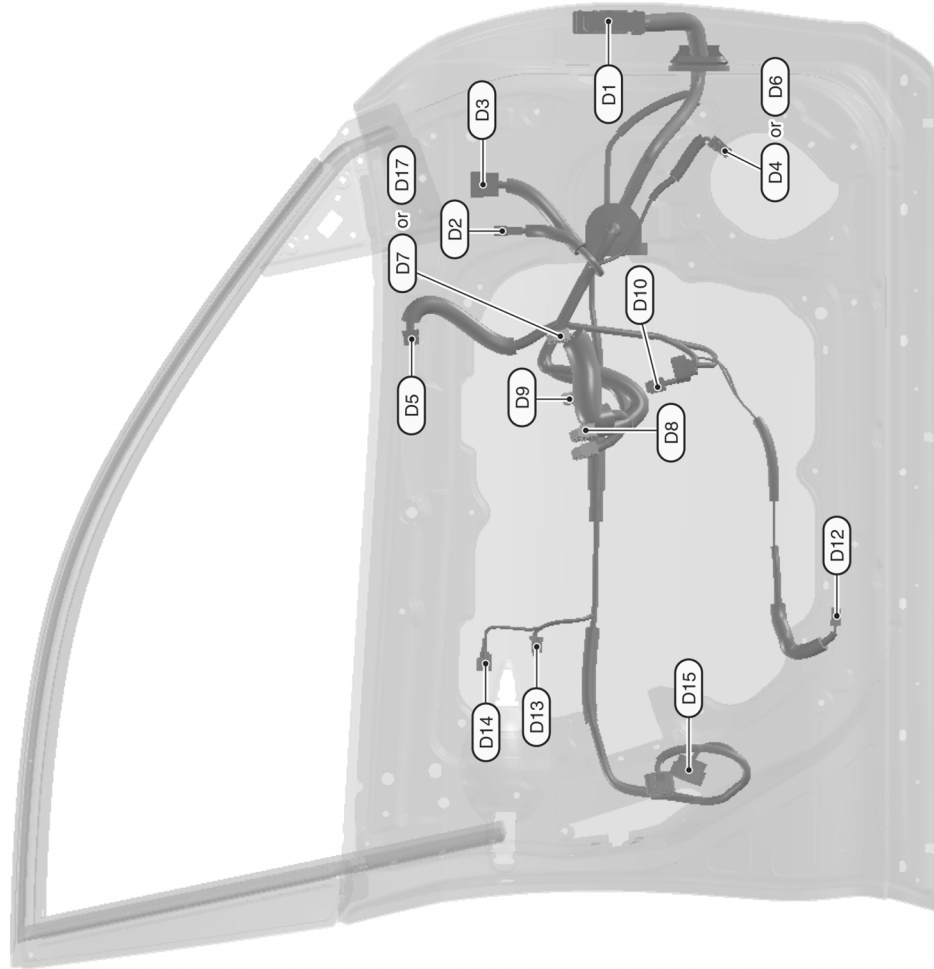
[POWER SUPPLY & GROUND CIRCUIT]

Door Harness

INFOID:000000008286464

FRONT DOOR HARNESS (LH SIDE)

FRONT DOOR HARNESS (LH SIDE)



A
B
C
D
E
F
G
H
I
J
K
L
PG
N
O
P

2012/06/11

JRMIC1852GB

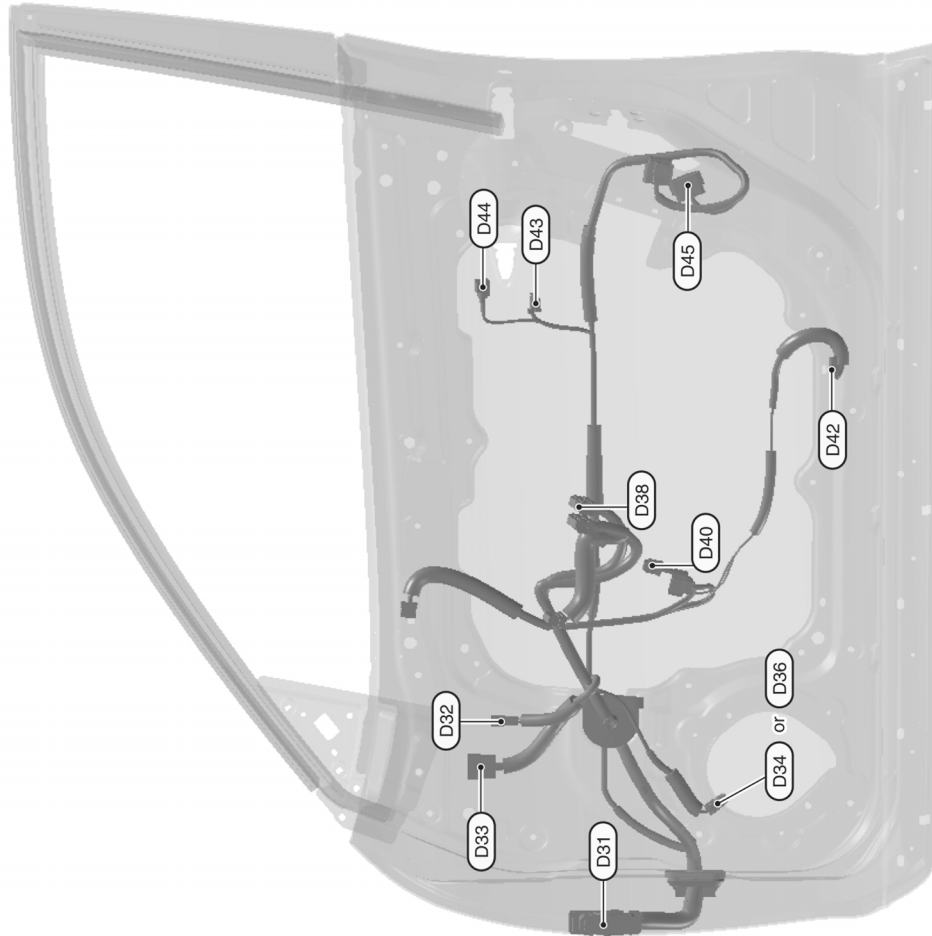
HARNESS LAYOUT

< DTC/CIRCUIT DIAGNOSIS >

[POWER SUPPLY & GROUND CIRCUIT]

FRONT DOOR HARNESS (RH SIDE)

FRONT DOOR HARNESS (RH SIDE)



JRMIC1853GB

2012/06/11

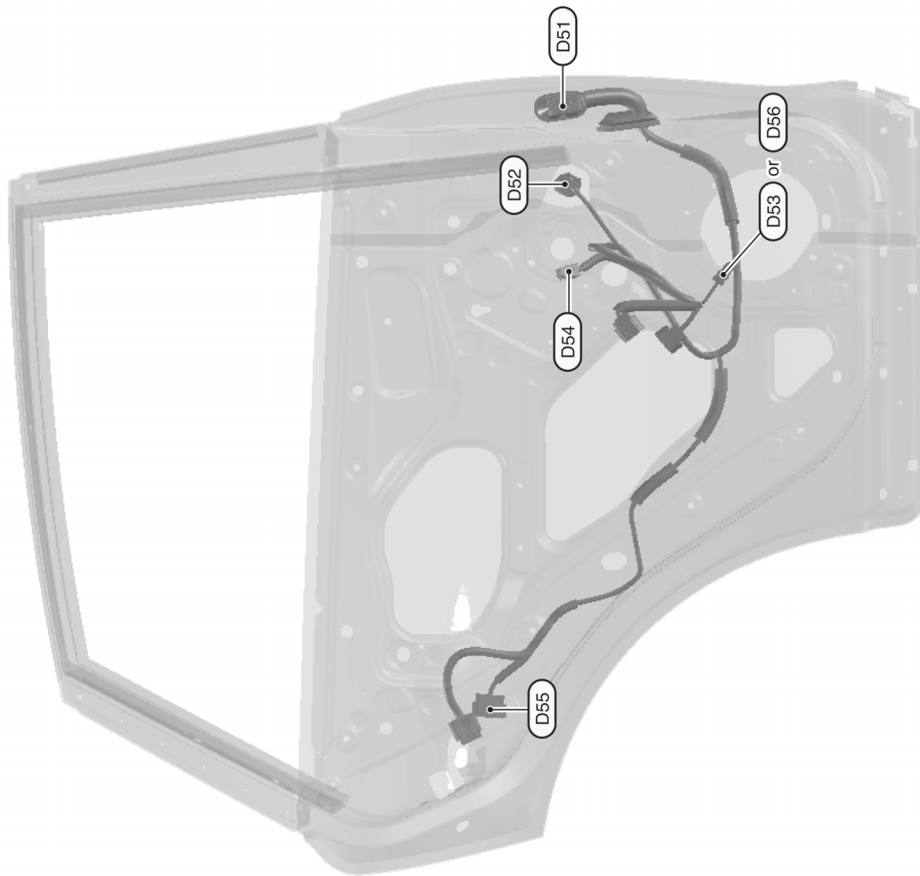
HARNESS LAYOUT

< DTC/CIRCUIT DIAGNOSIS >

[POWER SUPPLY & GROUND CIRCUIT]

REAR DOOR HARNESS (LH SIDE)

REAR DOOR HARNESS (LH SIDE)



A
B
C
D
E
F
G
H
I
J
K
L
PG
N
O
P

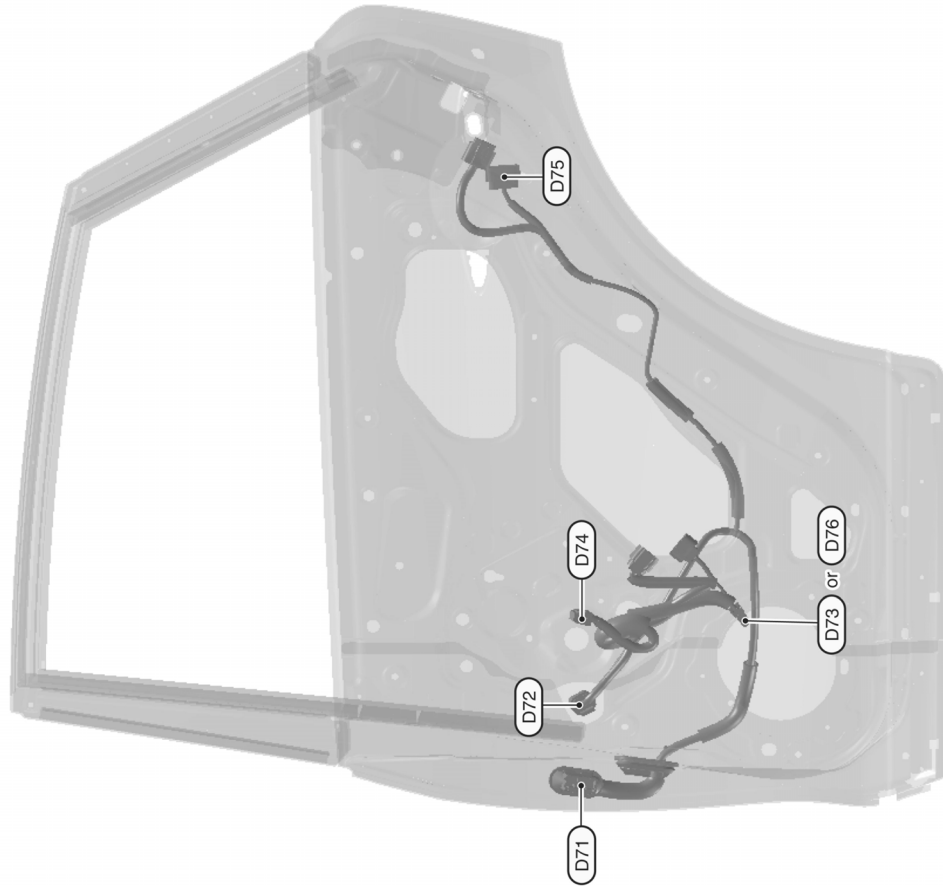
JRMIC1854GB
2012/06/11

HARNES LAYOUT

< DTC/CIRCUIT DIAGNOSIS >

[POWER SUPPLY & GROUND CIRCUIT]

REAR DOOR HARNESS (RH SIDE)



REAR DOOR HARNESS (RH SIDE)

2012/06/11

JRMIC1855GB

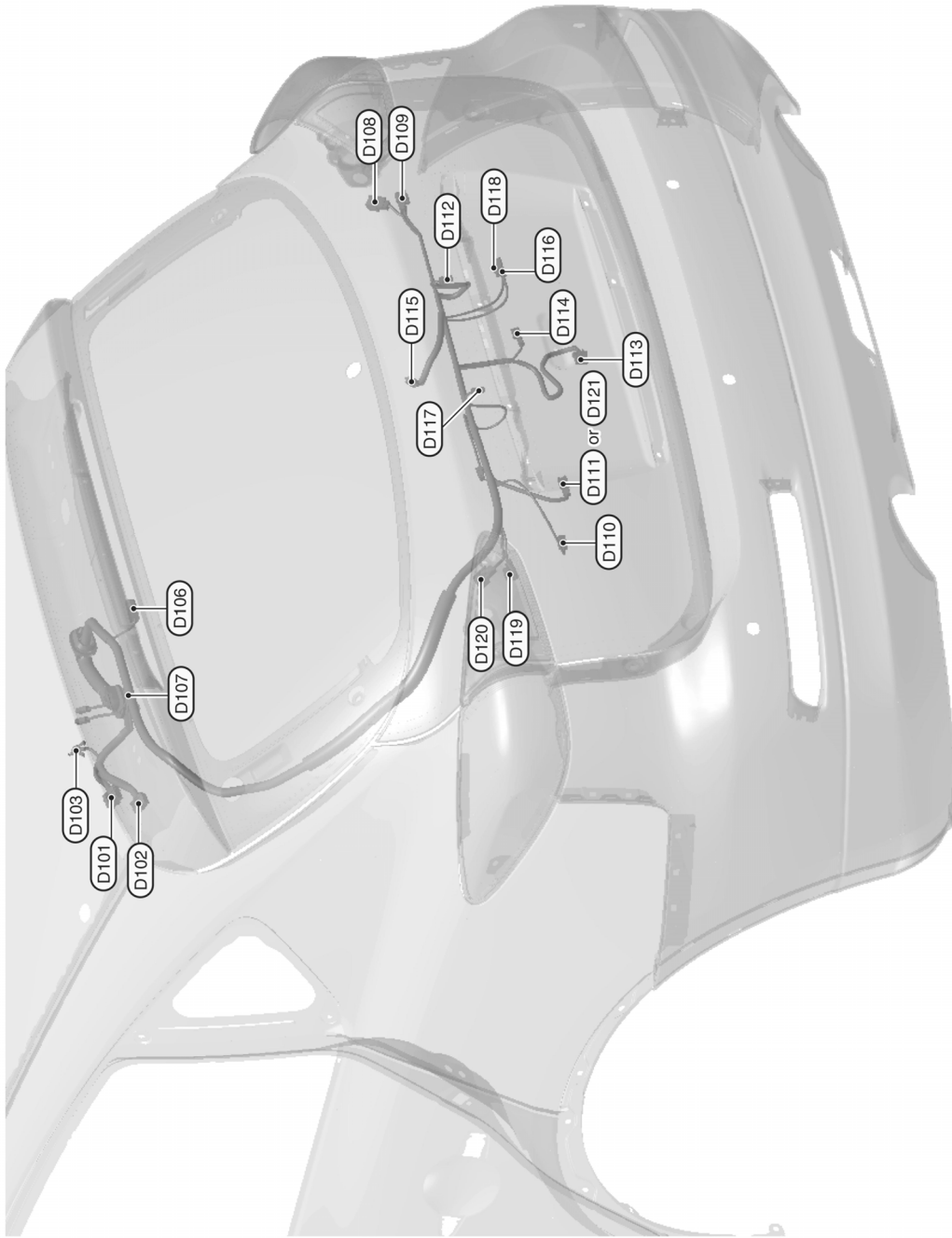
HARNES LAYOUT

< DTC/CIRCUIT DIAGNOSIS >

[POWER SUPPLY & GROUND CIRCUIT]

BACK DOOR HARNES

BACK DOOR HARNES



2012/06/11

JRMIC1856GB

A
B
C
D
E
F
G
H
I
J
K
L
PG
N
O
P

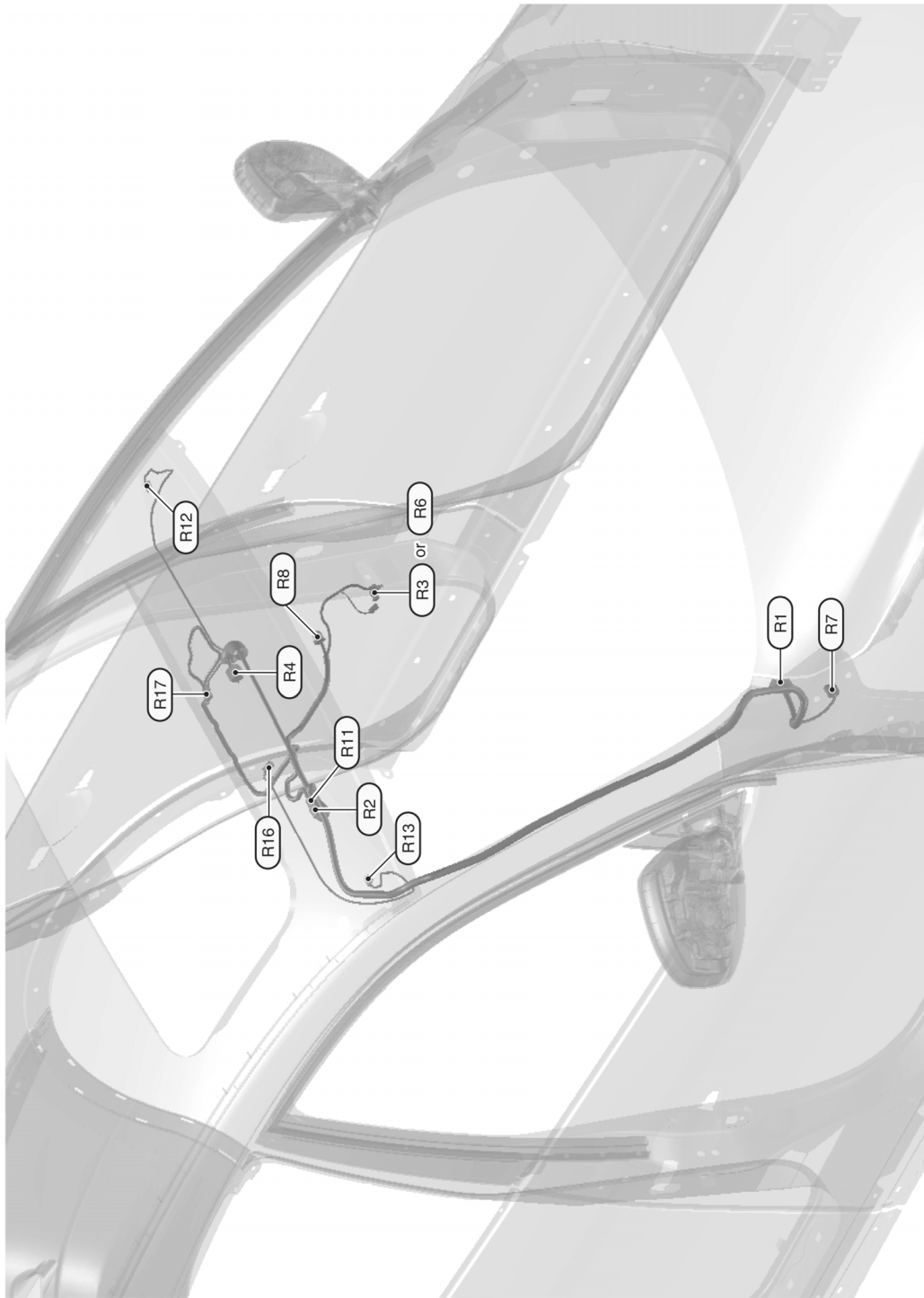
HARNES LAYOUT

< DTC/CIRCUIT DIAGNOSIS >

[POWER SUPPLY & GROUND CIRCUIT]

Room Lamp Harness

INFOID:000000008286465



ROOM LAMP HARNESS

2012/06/11

JRMIC1851GB

HARNESS CONNECTOR

< DTC/CIRCUIT DIAGNOSIS >

[POWER SUPPLY & GROUND CIRCUIT]

HARNESS CONNECTOR

Description

INFOID:000000008286473

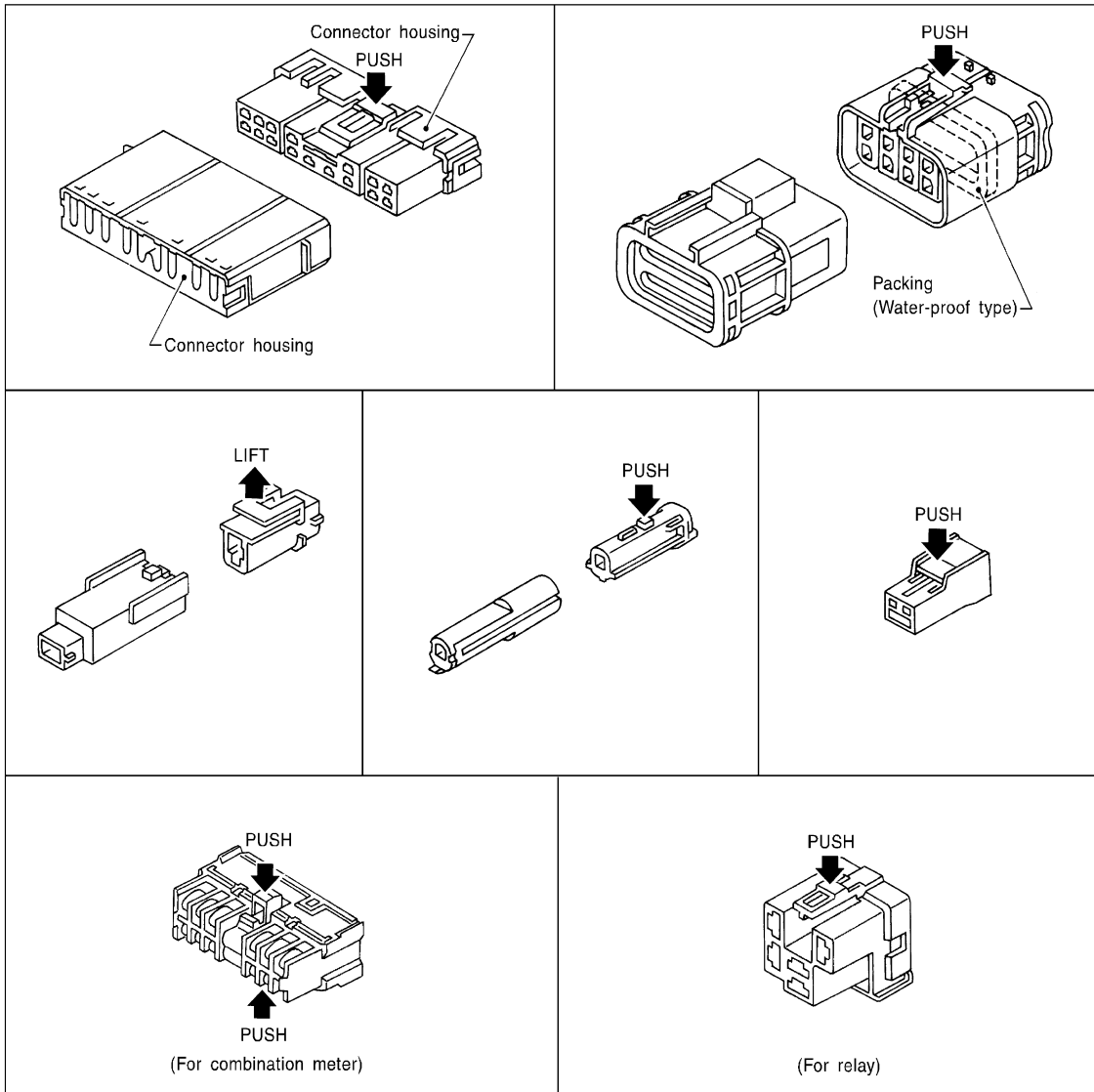
HARNESS CONNECTOR (TAB-LOCKING TYPE)

- The tab-locking type connectors help prevent accidental looseness or disconnection.
- The tab-locking type connectors are disconnected by pushing or lifting the locking tab(s). Refer to the figure below.

CAUTION:

Never pull the harness or wires when disconnecting the connector.

[Example]



SEL769DA

HARNESS CONNECTOR (SLIDE-LOCKING TYPE)

- A new style slide-locking type connector is used on certain systems and components, especially those related to OBD.
- The slide-locking type connectors help prevent incomplete locking and accidental looseness or disconnection.
- The slide-locking type connectors are disconnected by pushing or pulling the slider. Refer to the figure below.

A
B
C
D
E
F
G
H
I
J
K
L
PG
N
O
P

HARNESS CONNECTOR

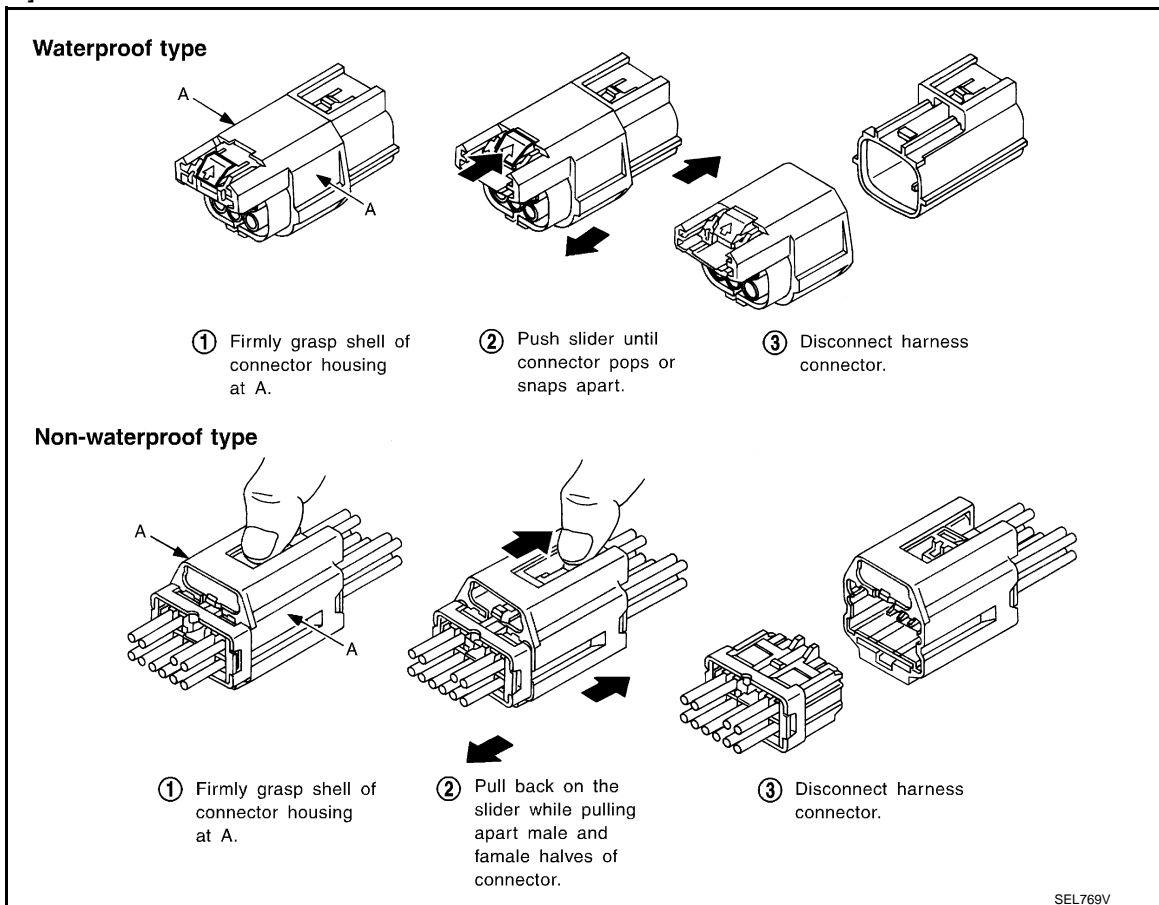
< DTC/CIRCUIT DIAGNOSIS >

[POWER SUPPLY & GROUND CIRCUIT]

CAUTION:

- Never pull the harness or wires when disconnecting the connector.
- Be careful not to damage the connector support bracket when disconnecting the connector.

[Example]



HARNESS CONNECTOR (LEVER LOCKING TYPE)

- Lever locking type harness connectors are used on certain control units and control modules such as ECM, ABS actuator and electric unit (control unit), etc.
- Lever locking type harness connectors are also used on super multiple junction (SMJ) connectors.
- Always confirm the lever is fully locked in place by moving the lever as far as it will go to ensure full connection.

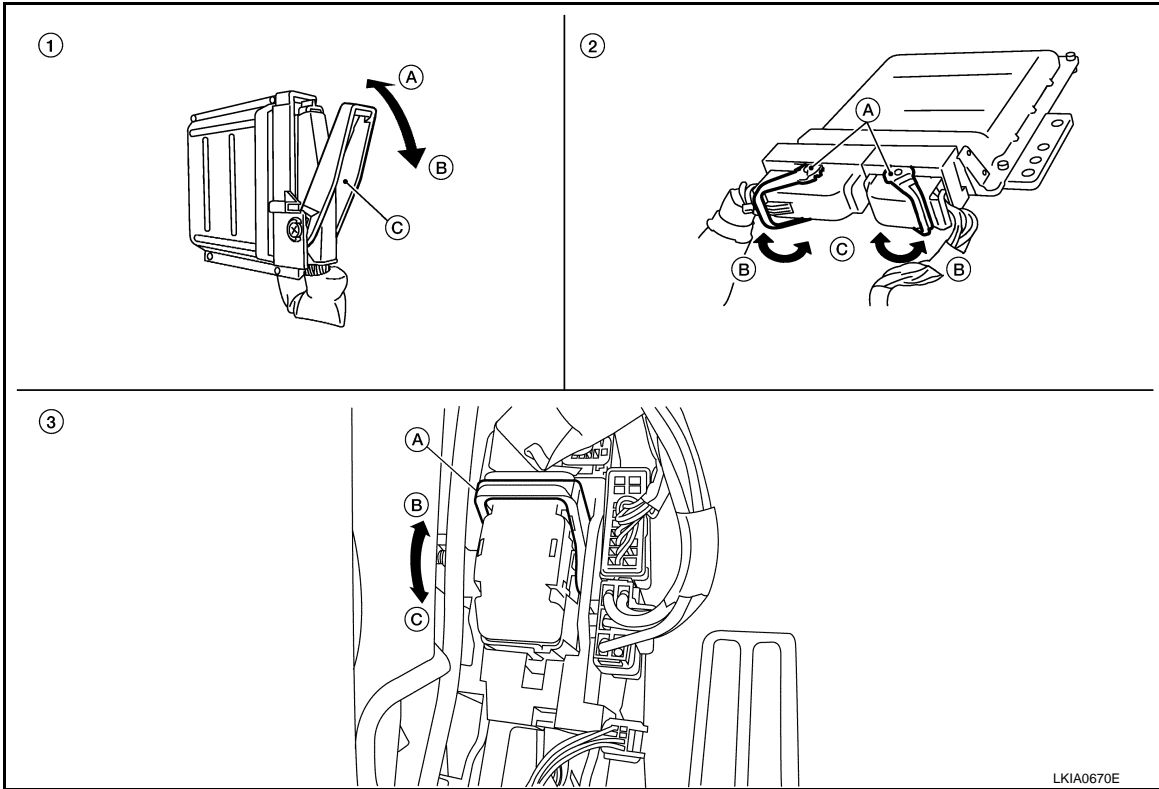
CAUTION:

HARNES CONNECTOR

< DTC/CIRCUIT DIAGNOSIS >

[POWER SUPPLY & GROUND CIRCUIT]

Always confirm the lever is fully released (loosened) before attempting to disconnect or connect these connectors to avoid damage to the connector housing or terminals.



1. Control unit with single lever
A. Fasten
B. Loosen
C. Lever

2. Control unit with dual levers
A. Levers
B. Fasten
C. Loosen

3. SMJ connector
A. Lever
B. Fasten
C. Loosen

A
B
C
D
E
F
G
H
I
J
K
L
M
N
O
P

PG

STANDARDIZED RELAY

< DTC/CIRCUIT DIAGNOSIS >

[POWER SUPPLY & GROUND CIRCUIT]

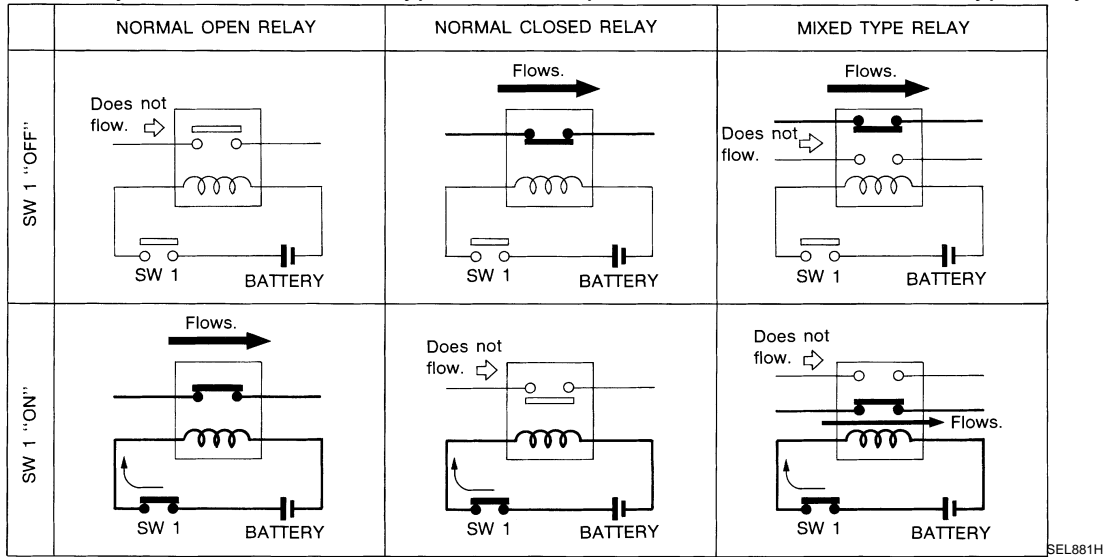
STANDARDIZED RELAY

Description

INFOID:000000008286474

NORMAL OPEN, NORMAL CLOSED AND MIXED TYPE RELAYS

Relays can mainly be divided into three types: normal open, normal closed and mixed type relays.



SEL881H

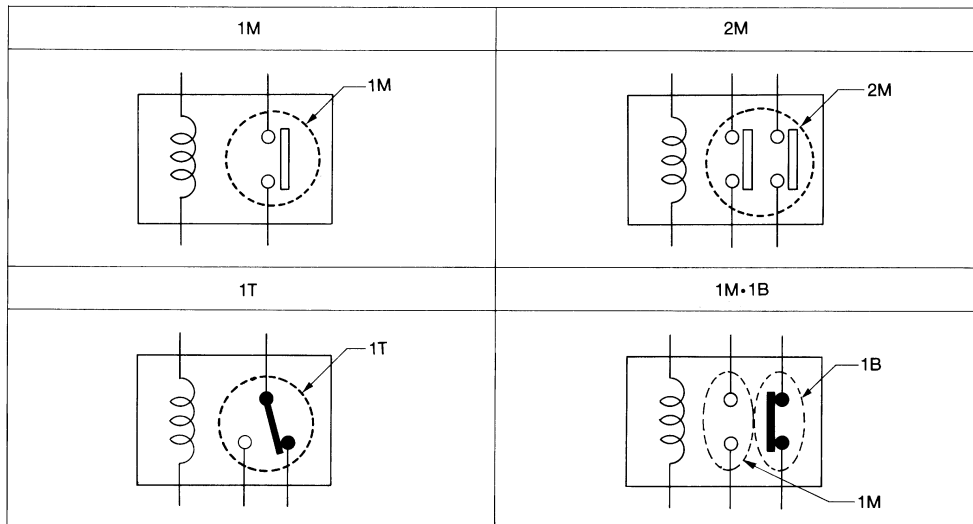
TYPE OF STANDARDIZED RELAYS

1M 1 Make

2M 2 Make

1T 1 Transfer

1M·1B 1 Make 1 Break

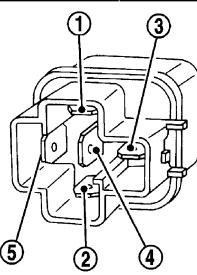
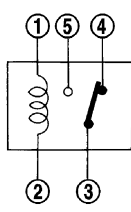
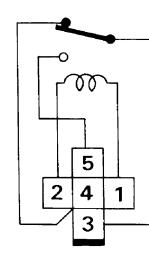
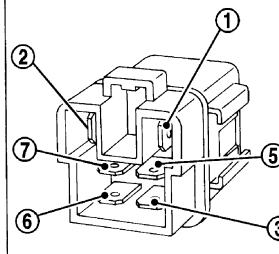
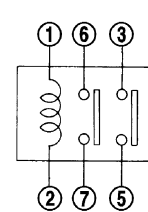
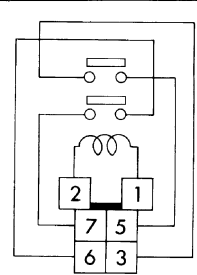
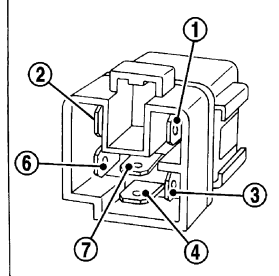
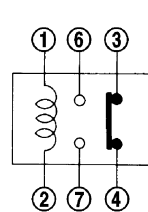
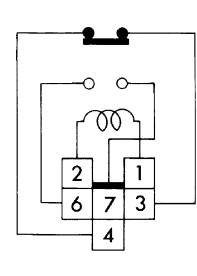
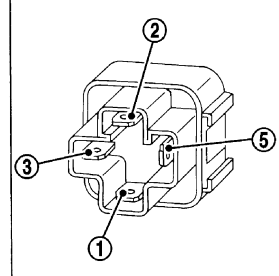
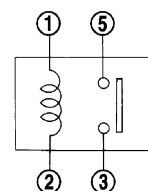
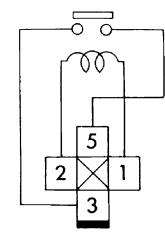
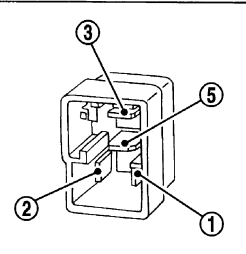
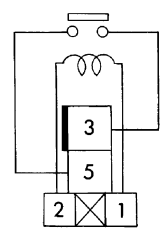


SEL882H

STANDARDIZED RELAY

< DTC/CIRCUIT DIAGNOSIS >

[POWER SUPPLY & GROUND CIRCUIT]

Type	Outer view	Circuit	Connector symbol and connection	Case color
1T				BLACK
2M				BROWN
1M•1B				GRAY
1M				BLUE
				

The arrangement of terminal numbers on the actual relays may differ from those shown above.

SEL188W

A
B
C
D
E
F
G
H
I
J
K
L
PG
N
O
P

FUSE BLOCK - JUNCTION BOX (J/B)

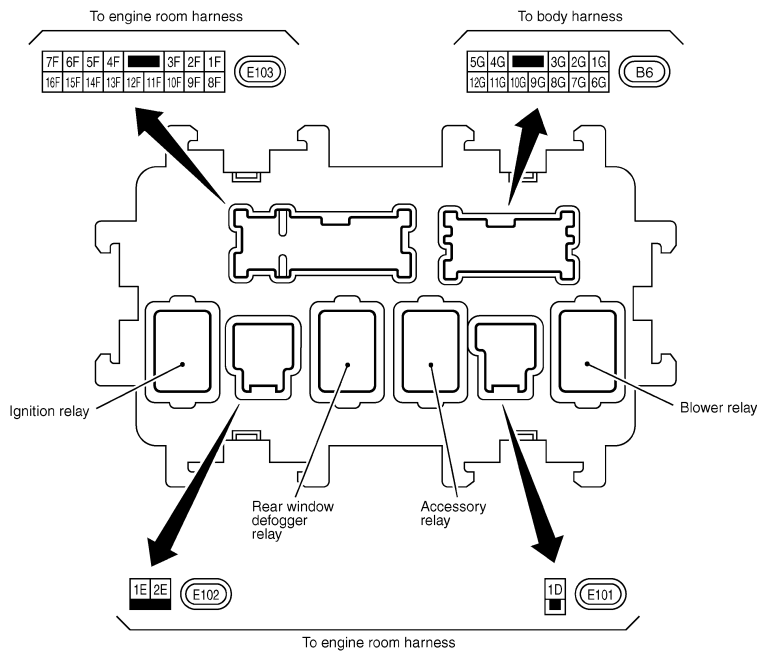
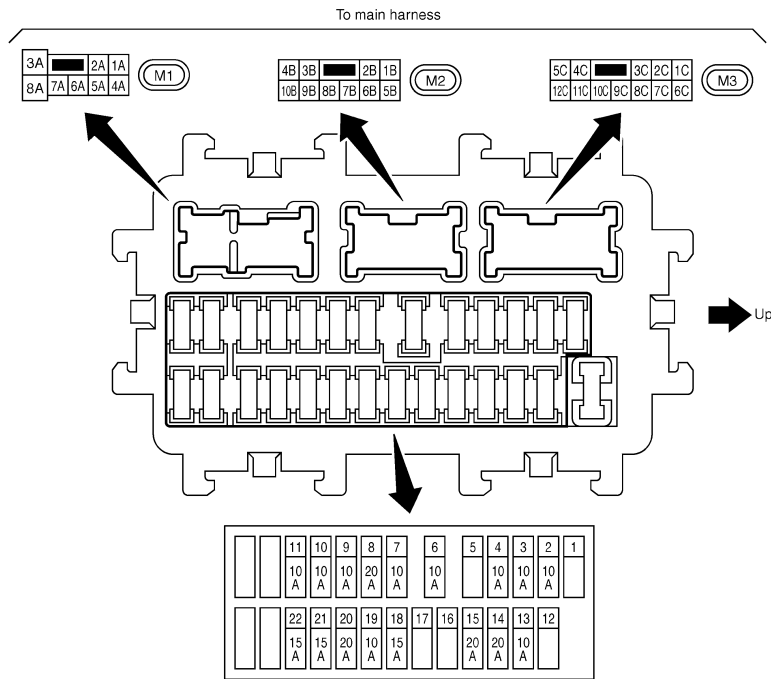
< DTC/CIRCUIT DIAGNOSIS >

[POWER SUPPLY & GROUND CIRCUIT]

FUSE BLOCK - JUNCTION BOX (J/B)

Fuse, Connector and Terminal Arrangement

INFOID:000000008286475



2010/09/21

JCMWA6290GB

FUSE, FUSIBLE LINK AND RELAY BOX

< DTC/CIRCUIT DIAGNOSIS >

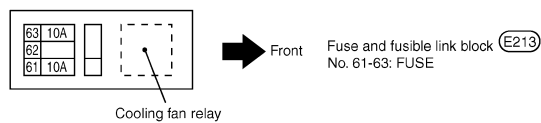
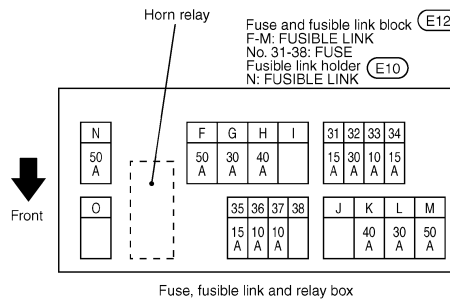
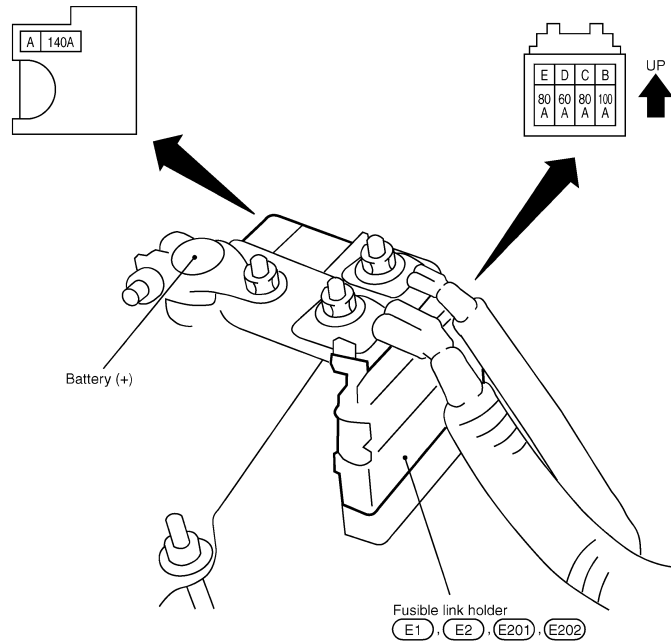
[POWER SUPPLY & GROUND CIRCUIT]

FUSE, FUSIBLE LINK AND RELAY BOX

Fuse and Fusible Link Arrangement

INFOID:000000008286476

FUSE, FUSIBLE LINK AND RELAY BOX Fuse and Fusible Link Arrangement



2012/06/11

JRMWD2736GB

IPDM E/R (INTELLIGENT POWER DISTRIBUTION MODULE ENGINE ROOM)

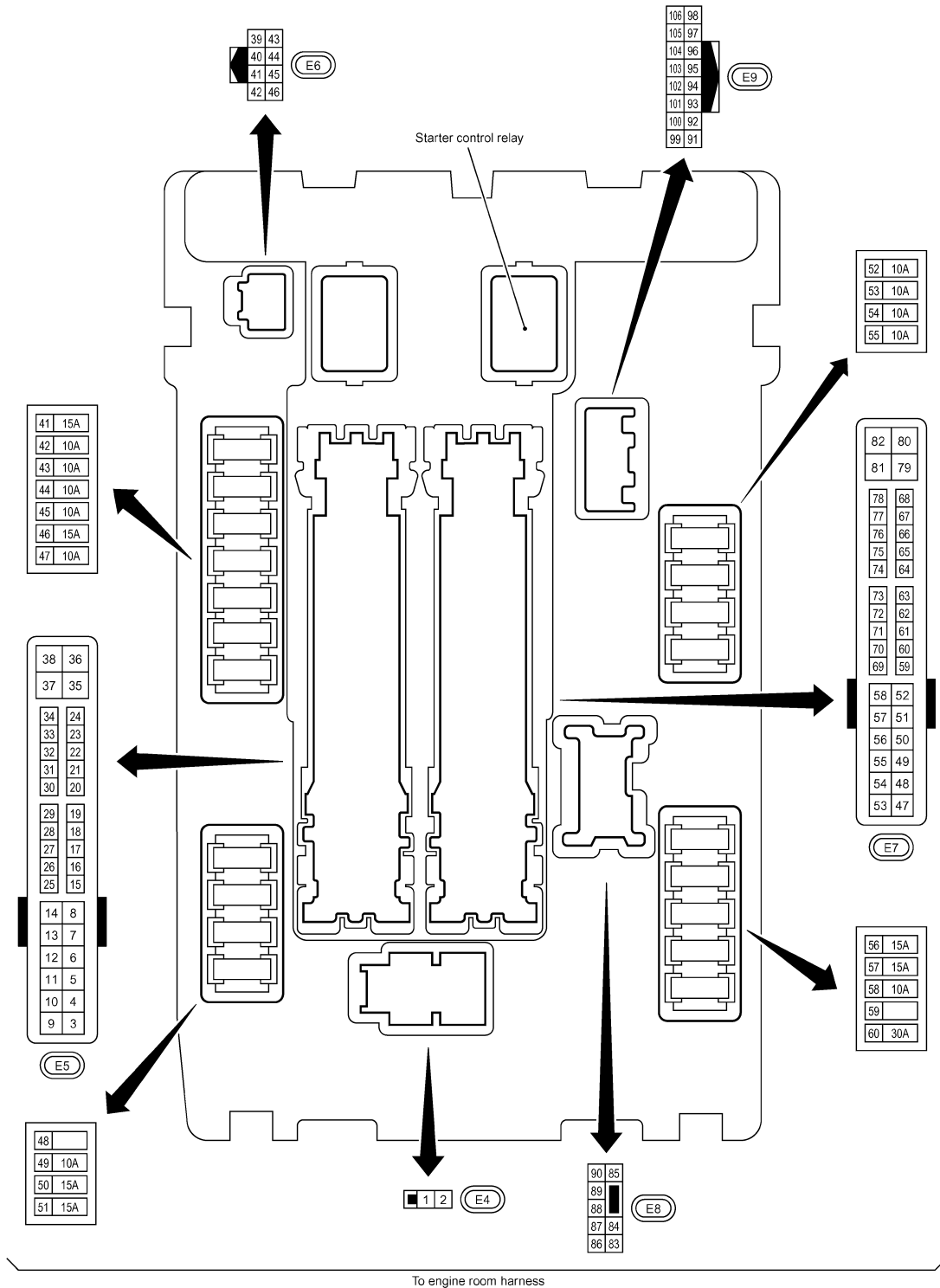
< DTC/CIRCUIT DIAGNOSIS >

[POWER SUPPLY & GROUND CIRCUIT]

IPDM E/R (INTELLIGENT POWER DISTRIBUTION MODULE ENGINE ROOM)

Fuse, Connector and Terminal Arrangement

INFOID:000000008286477



2011/06/24

JRMWC4050GB

PRECAUTIONS

< PRECAUTION >

[POWER SUPPLY & GROUND CIRCUIT]

PRECAUTION

PRECAUTIONS

Precaution for Supplemental Restraint System (SRS) "AIR BAG" and "SEAT BELT PRE-TENSIONER"

INFOID:000000008286478

The Supplemental Restraint System such as "AIR BAG" and "SEAT BELT PRE-TENSIONER", used along with a front seat belt, helps to reduce the risk or severity of injury to the driver and front passenger for certain types of collision. This system includes seat belt switch inputs and dual stage front air bag modules. The SRS system uses the seat belt switches to determine the front air bag deployment, and may only deploy one front air bag, depending on the severity of a collision and whether the front occupants are belted or unbelted. Information necessary to service the system safely is included in the "SRS AIR BAG" and "SEAT BELT" of this Service Manual.

WARNING:

Always observe the following items for preventing accidental activation.

- To avoid rendering the SRS inoperative, which could increase the risk of personal injury or death in the event of a collision that would result in air bag inflation, all maintenance must be performed by an authorized NISSAN/INFINITI dealer.
- Improper maintenance, including incorrect removal and installation of the SRS, can lead to personal injury caused by unintentional activation of the system. For removal of Spiral Cable and Air Bag Module, see "SRS AIR BAG".
- Never use electrical test equipment on any circuit related to the SRS unless instructed to in this Service Manual. SRS wiring harnesses can be identified by yellow and/or orange harnesses or harness connectors.

PRECAUTIONS WHEN USING POWER TOOLS (AIR OR ELECTRIC) AND HAMMERS

WARNING:

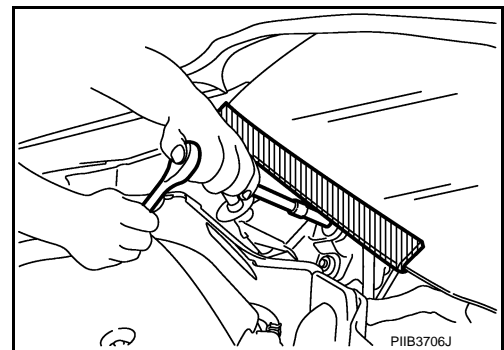
Always observe the following items for preventing accidental activation.

- When working near the Air Bag Diagnosis Sensor Unit or other Air Bag System sensors with the ignition ON or engine running, never use air or electric power tools or strike near the sensor(s) with a hammer. Heavy vibration could activate the sensor(s) and deploy the air bag(s), possibly causing serious injury.
- When using air or electric power tools or hammers, always switch the ignition OFF, disconnect the battery, and wait at least 3 minutes before performing any service.

Precaution for Procedure without Cowl Top Cover

INFOID:000000008286479

When performing the procedure after removing cowl top cover, cover the lower end of windshield with urethane, etc to prevent damage to windshield.



PREPARATION

[POWER SUPPLY & GROUND CIRCUIT]

< PREPARATION >

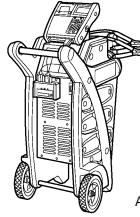
PREPARATION

PREPARATION

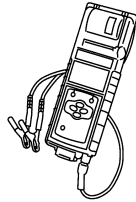
Special Service Tools

INFOID:000000008286480

Tool number (Kent-Moore No.) Tool name	Description
— (→) Model GR8-1200 NI Multitasking battery and electrical diagnostic station	Tests batteries, starting and charging systems and charges batteries. For operating instructions, refer to diagnostic station instruction manual.
— (→) Model EXP-800 NI Battery and electrical diagnostic analyzer	Tests batteries and charging systems. For operating instructions, refer to diagnostic analyzer instruction manual.



AW1IA1239ZZ



JSMA0806ZZ

BATTERY

< REMOVAL AND INSTALLATION >

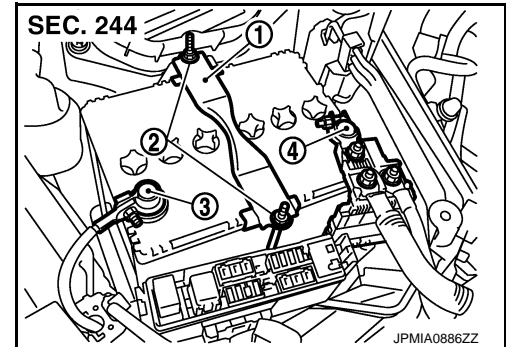
[POWER SUPPLY & GROUND CIRCUIT]

REMOVAL AND INSTALLATION

BATTERY

Exploded View

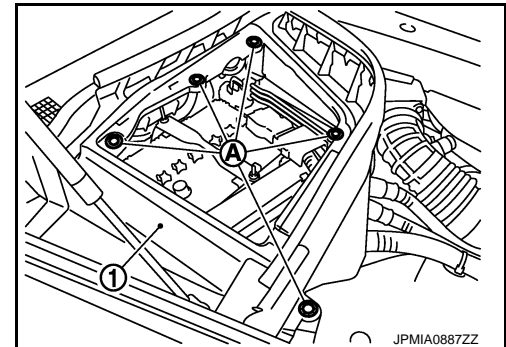
- 1 : Battery fix frame
- 2 : Battery fix frame mounting nuts
- 3 : Battery terminal (-)
- 4 : Battery terminal (+)



Removal and Installation

REMOVAL

1. Remove battery cover.
2. Remove the clips (A), and remove hoodledge cover RH (1).

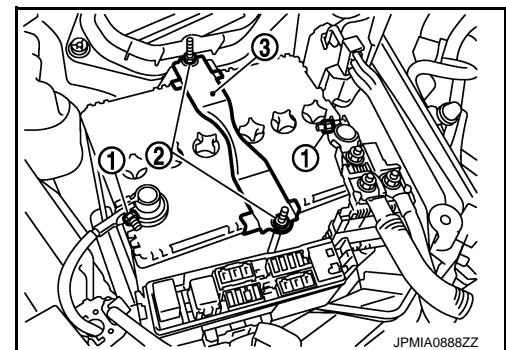


3. Remove cowl top cover RH. Refer to [EXT-22. "Exploded View"](#).
4. Remove cover of battery positive terminal.
5. Loosen battery terminal nuts (1), and disconnect both battery cables from battery terminals.

CAUTION:

When disconnecting, disconnect the battery cable from the negative terminal first.

6. Remove battery fix frame mounting nuts (2) and battery fix frame (3).
7. Remove battery.



INSTALLATION

Install in the reverse order of removal.

CAUTION:

When connecting, connect the battery cable to the positive terminal first.

Battery fix frame mounting nut

: 3.9 N·m (0.40 kg·m, 35 in·lb)

Battery terminal nut

: 5.4 N·m (0.55 kg·m, 48 in·lb)

A
B
C
D
E
F
G
H
I
J
K
L
PG
N
O
P

BATTERY

< REMOVAL AND INSTALLATION >

[POWER SUPPLY & GROUND CIRCUIT]

Reset electronic systems as necessary. Refer to [GI-58. "ADDITIONAL SERVICE WHEN REMOVING BATTERY NEGATIVE TERMINAL : Required Procedure After Battery Disconnection"](#).

BATTERY TERMINAL WITH FUSIBLE LINK

< REMOVAL AND INSTALLATION >

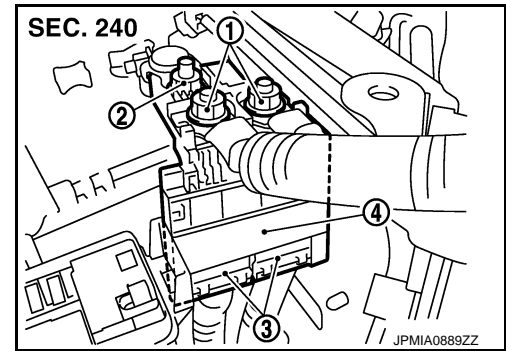
[POWER SUPPLY & GROUND CIRCUIT]

BATTERY TERMINAL WITH FUSIBLE LINK

Exploded View

INFOID:000000008286483

- 1 : Harness mounting nuts
- 2 : Fusible link holder mounting nut
- 3 : Harness connector
- 4 : Battery terminal with fusible link

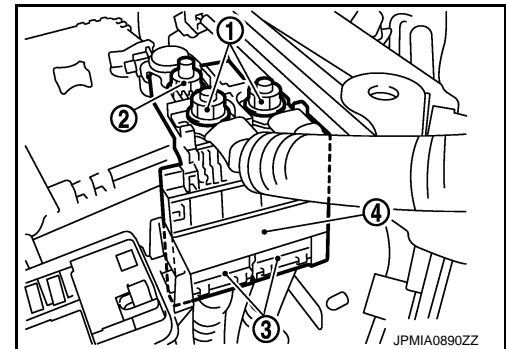


Removal and Installation

INFOID:000000008286484

REMOVAL

1. Remove battery cover.
2. Disconnect the battery cable from the negative terminal.
3. Remove cover of battery positive terminal.
4. Remove harness mounting nuts (1) and fusible link holder mounting nut (2).
5. Disconnect harness connector (3) and remove battery terminal with fusible link (4).



INSTALLATION

Install in the reverse order of removal.

Harness mounting nut

: 13.5 N·m (1.4 kg-m, 10 ft-lb)

Fusible link holder mounting nut

: 13.5 N·m (1.4 kg-m, 10 ft-lb)

A
B
C
D
E
F
G
H
I
J
K
L
PG
N
O
P

SERVICE DATA AND SPECIFICATIONS (SDS)

< SERVICE DATA AND SPECIFICATIONS (SDS)

[POWER SUPPLY & GROUND CIRCUIT]

SERVICE DATA AND SPECIFICATIONS (SDS)

SERVICE DATA AND SPECIFICATIONS (SDS)

Battery

INFOID:000000008286485

Type		80D23L
20 hour rate capacity	[V - Ah]	12 - 62
Cold cranking current (For reference value)	[A]	582