

SECTION **PWO**  
POWER OUTLET

CONTENTS

|  |   |  |   |
|--|---|--|---|
| <b>DTC/CIRCUIT DIAGNOSIS</b> .....   | 2 | <b>REMOVAL AND INSTALLATION</b> .....                      | 5 |
| <b>POWER SOCKET</b> .....  | 2 | <b>POWER SOCKET</b> .....                                  | 5 |
| Wiring Diagram - POWER SOCKET - .....  | 2 | <b>FRONT POWER SOCKET</b> .....                            | 5 |
| <b>PRECAUTION</b> .....  | 4 | FRONT POWER SOCKET : Exploded View .....                   | 5 |
| <b>PRECAUTIONS</b> .....   | 4 | FRONT POWER SOCKET : Removal and Instal-<br>lation .....   | 5 |
| Precaution for Supplemental Restraint System<br>(SRS) "AIR BAG" and "SEAT BELT PRE-TEN-<br>SIONER" ..... | 4 | <b>CONSOLE POWER SOCKET</b> .....                          | 5 |
|  |   | CONSOLE POWER SOCKET : Exploded View .....                 | 5 |
|  |   | CONSOLE POWER SOCKET : Removal and In-<br>stallation ..... | 5 |

A  
B  
C  
D  
E  
F  
G  
H  
I  
J  
K  
L  
N  
O  
P

PWO

# POWER SOCKET

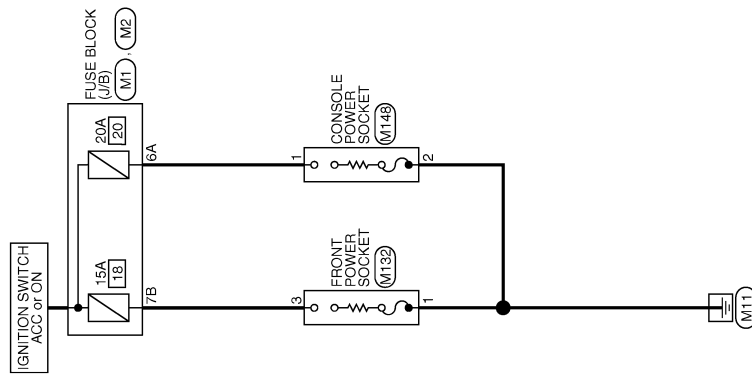
< DTC/CIRCUIT DIAGNOSIS >

## DTC/CIRCUIT DIAGNOSIS

### POWER SOCKET

Wiring Diagram - POWER SOCKET -

INFOID:000000008286486



POWER SOCKET

2010/09/21

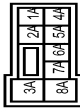
JCMWA6164GB

# POWER SOCKET

< DTC/CIRCUIT DIAGNOSIS >

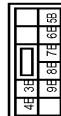
## POWER SOCKET

|                |                  |
|----------------|------------------|
| Connector No.  | M1               |
| Connector Name | FUSE BLOCK (J/B) |
| Connector Type | NS10FV-M2        |



| Terminal No. | Color Of Wire | Signal Name [Specification] |
|--------------|---------------|-----------------------------|
| 1A           | GR            | -                           |
| 2A           | G             | -                           |
| 3A           | P             | -                           |
| 4A           | P             | - [For each button]         |
| 5A           | V             | - [For key slot]            |
| 6A           | Y             | -                           |
| 7A           | R             | -                           |
| 8A           | L             | -                           |

|                |                  |
|----------------|------------------|
| Connector No.  | M2               |
| Connector Name | FUSE BLOCK (J/B) |
| Connector Type | NS10FV-CS        |



| Terminal No. | Color Of Wire | Signal Name [Specification] |
|--------------|---------------|-----------------------------|
| 3B           | P             | -                           |
| 4B           | G             | -                           |
| 5B           | BG            | -                           |
| 6B           | Y             | -                           |
| 7B           | P             | -                           |
| 8B           | R             | -                           |
| 9B           | SB            | -                           |

|                |                    |
|----------------|--------------------|
| Connector No.  | M132               |
| Connector Name | FRONT POWER SOCKET |
| Connector Type | NS03FV-CS          |



| Terminal No. | Color Of Wire | Signal Name [Specification] |
|--------------|---------------|-----------------------------|
| 1            | B             | -                           |
| 2            | R             | -                           |
| 3            | P             | -                           |

|                |                      |
|----------------|----------------------|
| Connector No.  | M148                 |
| Connector Name | CONSOLE POWER SOCKET |
| Connector Type | P02FB-Z              |



| Terminal No. | Color Of Wire | Signal Name [Specification] |
|--------------|---------------|-----------------------------|
| 1            | Y             | -                           |
| 2            | B             | -                           |

JRMWE9785GB

A  
B  
C  
D  
E  
F  
G  
H  
I  
J  
K  
L  
N  
O  
P

PWO

# PRECAUTIONS

< PRECAUTION >

## PRECAUTION

### PRECAUTIONS

#### Precaution for Supplemental Restraint System (SRS) "AIR BAG" and "SEAT BELT PRE-TENSIONER"

INFOID:000000008286487

The Supplemental Restraint System such as "AIR BAG" and "SEAT BELT PRE-TENSIONER", used along with a front seat belt, helps to reduce the risk or severity of injury to the driver and front passenger for certain types of collision. This system includes seat belt switch inputs and dual stage front air bag modules. The SRS system uses the seat belt switches to determine the front air bag deployment, and may only deploy one front air bag, depending on the severity of a collision and whether the front occupants are belted or unbelted. Information necessary to service the system safely is included in the "SRS AIR BAG" and "SEAT BELT" of this Service Manual.

#### **WARNING:**

Always observe the following items for preventing accidental activation.

- To avoid rendering the SRS inoperative, which could increase the risk of personal injury or death in the event of a collision that would result in air bag inflation, all maintenance must be performed by an authorized NISSAN/INFINITI dealer.
- Improper maintenance, including incorrect removal and installation of the SRS, can lead to personal injury caused by unintentional activation of the system. For removal of Spiral Cable and Air Bag Module, see "SRS AIR BAG".
- Never use electrical test equipment on any circuit related to the SRS unless instructed to in this Service Manual. SRS wiring harnesses can be identified by yellow and/or orange harnesses or harness connectors.

#### PRECAUTIONS WHEN USING POWER TOOLS (AIR OR ELECTRIC) AND HAMMERS

#### **WARNING:**

Always observe the following items for preventing accidental activation.

- When working near the Air Bag Diagnosis Sensor Unit or other Air Bag System sensors with the ignition ON or engine running, never use air or electric power tools or strike near the sensor(s) with a hammer. Heavy vibration could activate the sensor(s) and deploy the air bag(s), possibly causing serious injury.
- When using air or electric power tools or hammers, always switch the ignition OFF, disconnect the battery, and wait at least 3 minutes before performing any service.

# POWER SOCKET

< REMOVAL AND INSTALLATION >

## REMOVAL AND INSTALLATION

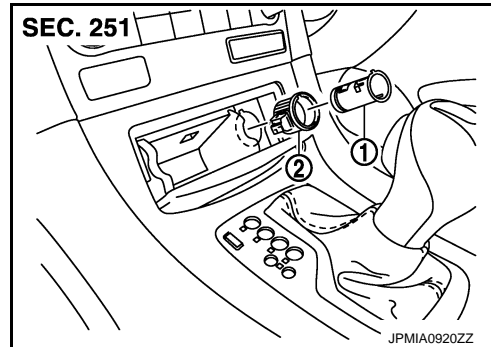
### POWER SOCKET

#### FRONT POWER SOCKET

#### FRONT POWER SOCKET : Exploded View

INFOID:000000008286488

- 1 : Inner socket
- 2 : Ring



#### FRONT POWER SOCKET : Removal and Installation

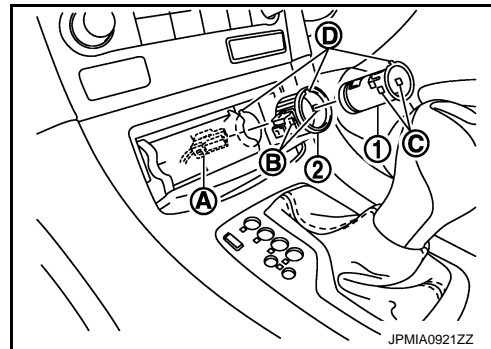
INFOID:000000008286489

##### REMOVAL

1. Remove console finisher assembly. Refer to [IP-23. "Exploded View"](#).
2. Disconnect power socket connector (A).

D : Cut out

3. Pull out inner socket (1) by pushing the ring pawl (B) from the inner socket hole (square) (C).
4. Remove ring (2) from console finisher assembly while pressing pawls.



##### INSTALLATION

Install in the reverse order of removal.

##### NOTE:

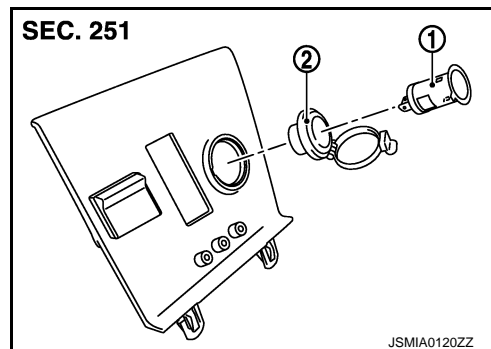
Align the cut outs of inner socket, ring, and console finisher assembly.

### CONSOLE POWER SOCKET

#### CONSOLE POWER SOCKET : Exploded View

INFOID:000000008286490

- 1 : Inner socket
- 2 : Ring



#### CONSOLE POWER SOCKET : Removal and Installation

INFOID:000000008286491

##### REMOVAL

A  
B  
C  
D  
E  
F  
G  
H  
I  
J  
K  
L  
N  
O  
P

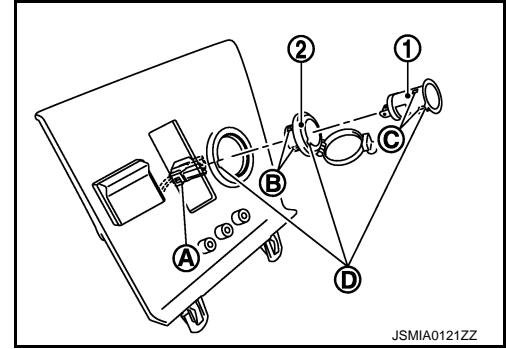
## POWER SOCKET

### < REMOVAL AND INSTALLATION >

1. Remove console center finisher. Refer to [IP-23, "Exploded View"](#).
2. Disconnect power socket connector (A).

D : Cut out

3. Pull out inner socket (1) by pushing the ring pawl (B) from the inner socket hole (square) (C).
4. Remove ring (2) from console center finisher while pressing pawls.



### INSTALLATION

Install in the reverse order of removal.

#### **NOTE:**

Align the cut outs of inner socket, ring, and console center finisher.