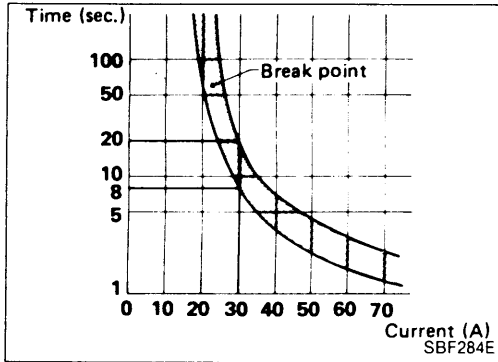


GENERAL SERVICING

Precautions

- When removing or installing various parts, place a cloth or padding onto the vehicle body to prevent scratches.
- Handle trim, molding, instruments, grille, etc. carefully during removing or installation. Be careful not to soil or damage them.
- Apply sealing compound where necessary when installing parts.
- When applying sealing compound, be careful that the sealing compound does not protrude from parts.
- When replacing any metal parts (for example body outer panel, members, etc.), be sure to take rust prevention measures.



Circuit Breaker Inspection

For example, when current is 30A, the circuit is broken within 8 to 20 seconds.

Circuit breakers are used in the following systems.

- Power window & power door lock
- Power sun roof

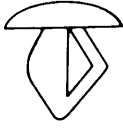
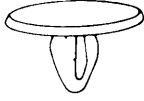
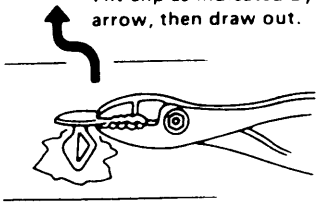
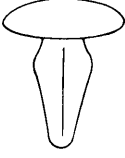
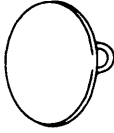
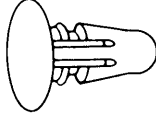
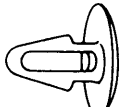
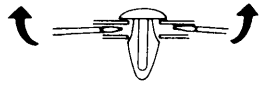
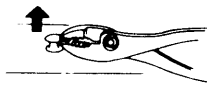

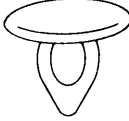

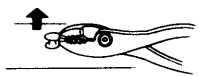
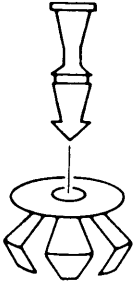

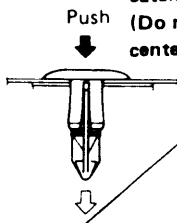
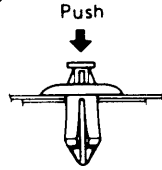
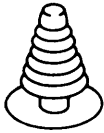
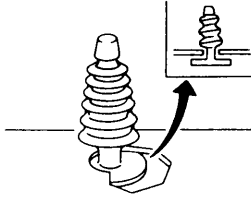
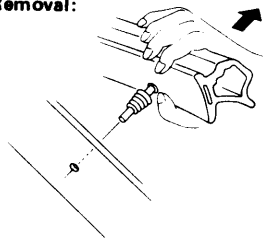
Clip and Fastener

- Clips and fasteners in BF section correspond to the following numbers and symbols.
- Replace any clips and/or fasteners which are damaged during removal or installation.

No.	Symbol	Shape	Removal & Installation
C101	 SBF092B	 SBF109B	Removal: Remove by bending up with a flat-bladed screwdriver. SBF094B
C102	 SBF113B	 SBF114B SBF137B	 Removal: Pull up while rotating. SBF115B


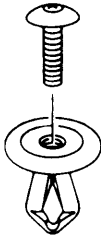
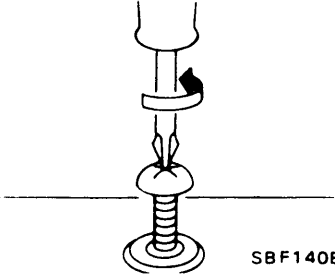
GENERAL SERVICING

Clip and Fastener (Cont'd)

No.	Symbol	Shape	Removal & Installation
C105			<p>Removal: Tilt clip as indicated by arrow, then draw out.</p>  <p style="text-align: right;">SBF 143B</p>
	SBF141B	SBF142B	
C106		  	<p>Removal: Remove with flat-bladed screwdriver or pliers.</p>   <p style="text-align: right;">SBF091B</p>
	SBF089B	SBF090B	
C110			<p>Removal: Remove with a flat-bladed screwdriver or pliers.</p>   <p style="text-align: right;">SBF292C</p>
	SBF290C	SBF291C	
C203			<p>Push center pin to catching position. (Do not remove center pin by hitting it.)</p>  <p style="text-align: right;">Installation:</p>  <p style="text-align: right;">SBF 708E</p>
	SBF318C	SBF319C	
CE103			<p>Removal:</p>  <p style="text-align: right;">SBF147B</p>
	SBF103B	SBF104B	

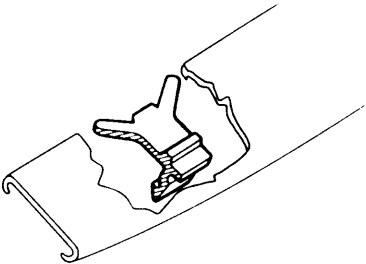
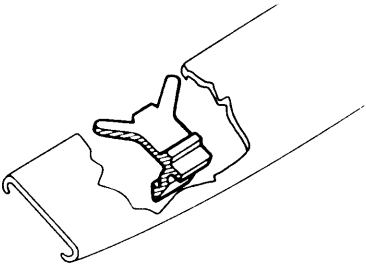
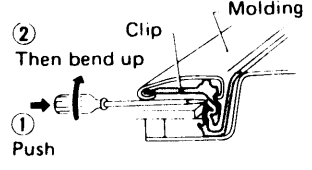
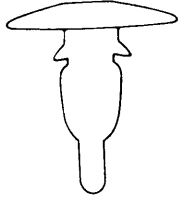
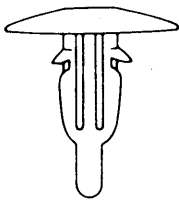
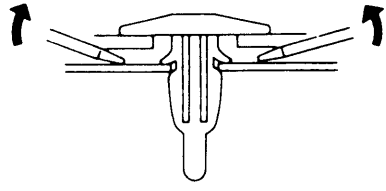
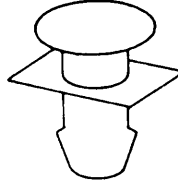
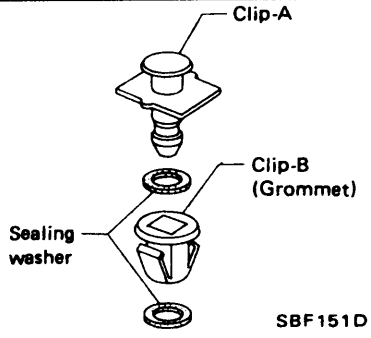
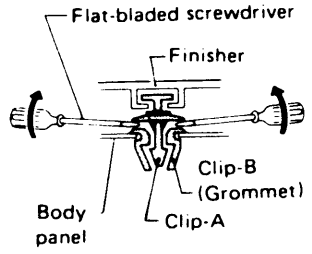
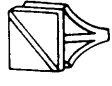
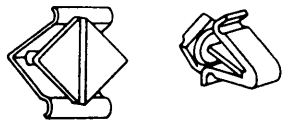

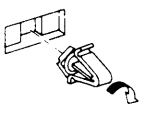

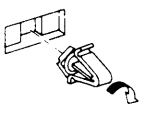

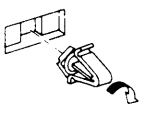
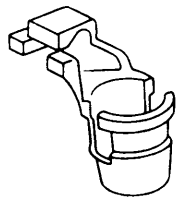
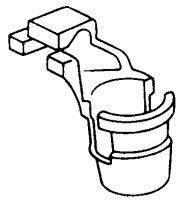
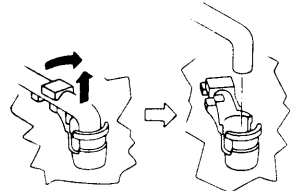
GENERAL SERVICING

Clip and Fastener (Cont'd)

No.	Symbol	Shape	Removal & Installation
CS102	 SBF138B	 SBF139B	<p>Removal: Screw out with a Phillips screwdriver.</p>  SBF140B

GENERAL SERVICING

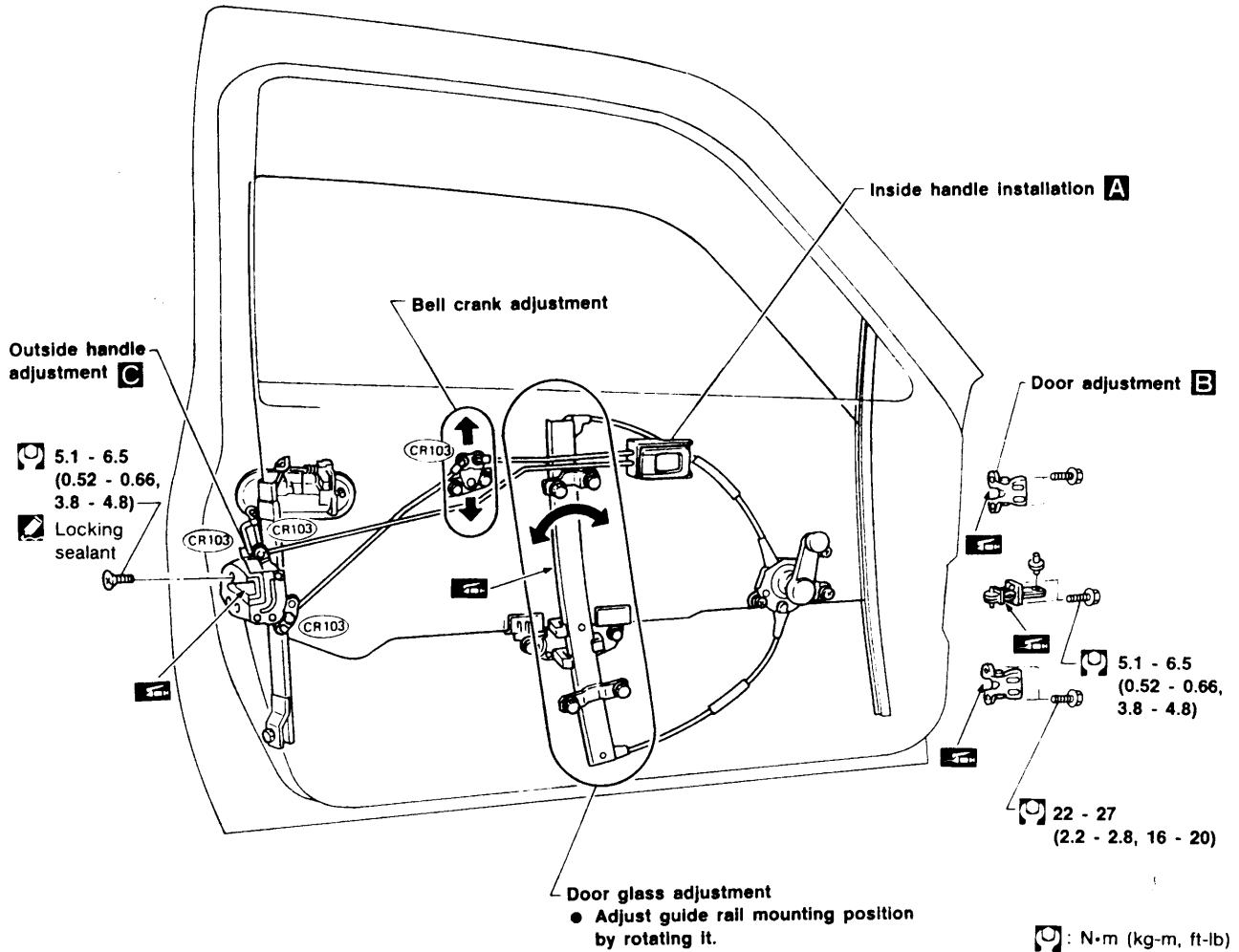
Clip and Fastener (Cont'd)

No.	Symbol	Shape	Removal & Installation		
CE106			<p>Removal:</p>  <p>② Then bend up ① Push</p> <p style="text-align: right;">Molding Clip</p> <p style="text-align: center;">SBF653B</p> <p style="text-align: right;">SBF654B</p>		
CE117			<p>Removal: Remove with a flat-bladed screwdriver or pliers.</p>  <p style="text-align: center;">SBF173D</p> <p style="text-align: center;">SBF174D</p> <p style="text-align: right;">SBF175D</p>		
CF118		 <p style="text-align: right;">Clip-A</p> <p style="text-align: right;">Clip-B (Grommet)</p> <p style="text-align: left;">Sealing washer</p> <p style="text-align: center;">SBF150D</p> <p style="text-align: center;">SBF151D</p>	<p>Removal:</p>  <p style="text-align: right;">Flat-bladed screwdriver</p> <p style="text-align: right;">Finisher</p> <p style="text-align: right;">Clip-B (Grommet)</p> <p style="text-align: right;">Clip-A</p> <p style="text-align: left;">Body panel</p> <p style="text-align: right;">SBF652B</p>		
CG101		 <p style="text-align: center;">SBF144B</p> <p style="text-align: center;">SBF145B</p>	<table border="0" style="width: 100%;"> <tr> <td style="width: 50%; vertical-align: top;"> <p>Removal</p>  <p>Rotate 45° to remove.</p> </td> <td style="width: 50%; vertical-align: top;"> <p>Installation</p>  </td> </tr> </table> <p style="text-align: right;">SBF085B</p>	<p>Removal</p>  <p>Rotate 45° to remove.</p>	<p>Installation</p> 
<p>Removal</p>  <p>Rotate 45° to remove.</p>	<p>Installation</p> 				
CR103			<p>Removal: Holder portion of clip must be spread out to remove rod.</p>  <p style="text-align: center;">SBF768B</p> <p style="text-align: right;">SBF770B</p>		

DOOR

Front Door

N14 3-DOOR HATCHBACK



Striker adjustment

