

MAINTENANCE INFORMATION

1990 Nissan 240SX

1989-95 MAINTENANCE
Nissan Maintenance Information

240SX
240SX Convertible

* PLEASE READ THIS FIRST *

NOTE: For scheduled maintenance intervals and the related fluid capacities, fluid specifications and labor times for major service intervals, see SCHEDULED SERVICES article in this section. Warranty information and specifications for fluid capacities, lubrication specifications, wheel and tire size, and battery type are covered in this article.

MODEL IDENTIFICATION

VIN LOCATION

The Vehicle Identification Number (VIN) is located on the left side of the dash panel at the base of the windshield. The VIN chart explains the code characters.

VIN CODE ID EXPLANATION

Numbers preceding the explanations in the legend below refer to the sequence of characters as listed on VIN identification label. See VIN example below.

(VIN)	J	N	1	H	S	2	4	P	2	L	W	0	0	0	1	0	1
	1	2	3	4	5	6	7	8	9	10	11	12	13	14	15	16	17

1 - Manufacturing Country
J * Japan

2 - Make
N * Nissan

3 - Type
1 * Passenger

4 - Engine Type
F or H * KA24E 2.4L
M * KA24DE 2.4L

5 - Car Line
S * 240SX

6 - Model Change
3 * 0 Through 9

7 - Body Type
4 * Coupe
6 * Fastback
7 * Convertible

- 8 - Restraint System
 - P * Automatic
 - S * Standard

- 9 - VIN Check Digit
 - 2 * 0 Through 9, Or X

- 10 - Vehicle Model Year
 - K * 1989
 - L * 1990
 - M * 1991
 - N * 1992
 - P * 1993
 - R * 1994
 - S * 1995

- 11 - Assembly Plant
 - W * Kyushu, Japan

- 12-17 - Serial Number
 - * Sequential Production Number

MAINTENANCE SERVICE INFORMATION

SEVERE & NORMAL SERVICE DEFINITIONS

NOTE: Use the Severe Service schedule if the vehicle to be serviced is operated under ANY (one or more) of these conditions:

Service is recommended at mileage intervals based on vehicle operation. Service schedules are based on the following primary operating conditions:

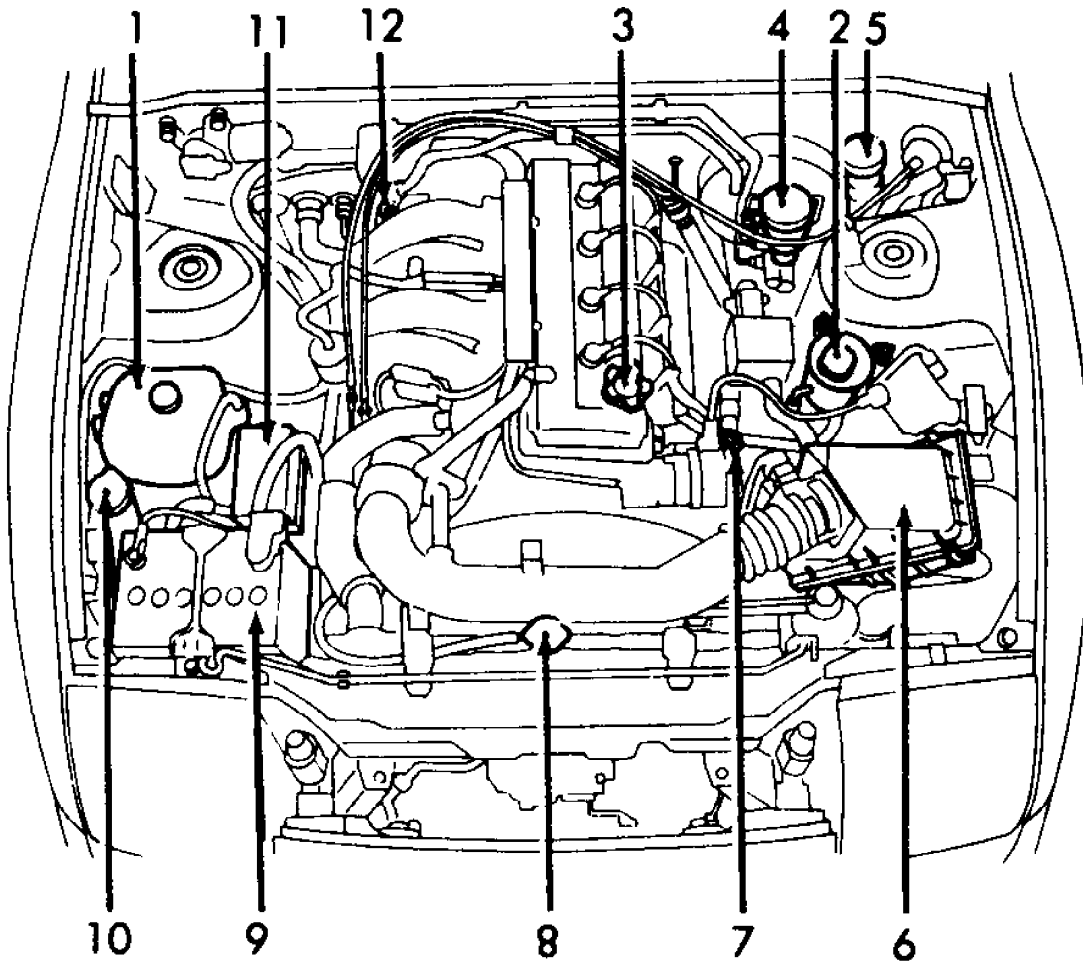
Normal Service

- * Driven More Than 10 Miles Daily
- * No Operating Conditions From Severe Service Schedule

Severe Service (Unique Driving Conditions)

- * Repeated Short Distance Driving
- * Extensive Idling
- * Driving In Dusty Conditions
- * Driving On Rough, Muddy, Or Salt Spread Roads
- * Towing A Trailer

SERVICE POINT LOCATIONS

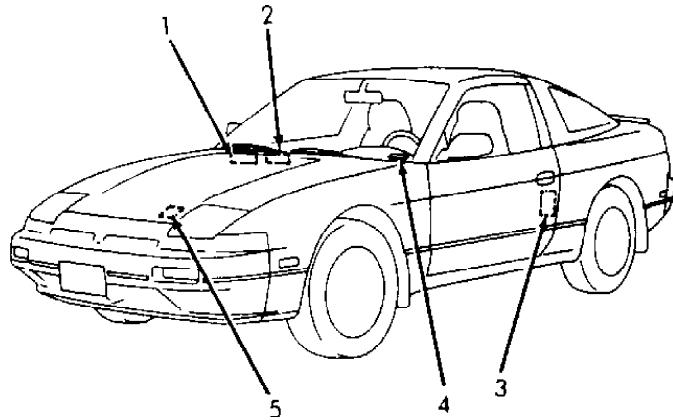


1. Coolant Recovery Reservoir
2. Power Steering Fluid Reservoir
3. Engine Oil Filler Cap
4. Brake Fluid Reservoir
5. Clutch Fluid Reservoir
6. Air Cleaner
7. Engine Oil Dipstick
8. Radiator Cap
9. Battery
10. Washer Fluid Reservoir
11. Fuse Box
12. Automatic Transmission Fluid Dipstick

90C04966

Fig. 1: Engine Service Point Locations
Courtesy of Nissan Motor Co., U.S.A.

INFORMATION LABEL LOCATIONS



1. Vehicle Identification Plate
2. Vehicle Identification Number (Chassis Number)
3. FMVSS Certification Label
4. Vehicle Identification Number Plate
5. Emission Control Information Label

Fig. 2: Information Label Locations
 Courtesy of Nissan Motor Co., U.S.A.

SERVICE LABOR TIMES

SERVICE LABOR TIMES TABLE (HOURS)

Application	15,000		30,000 (60,000)	
	Mile Service		Mile Service	
2.4L				
Automatic Transmission	1.5		2.3	(2.3)
Manual Transmission	1.5		2.3	(2.3)

LUBRICATION SPECIFICATIONS

LUBRICATION SPECIFICATIONS TABLE

Application	Fluid Specifications
Brake Fluid	US FMVSS No. 116 Or DOT 3 Brake Fluid
Differential Gear Oil	
Maximum Temperature	
Less Than 104°F (40°C)	SAE 80W-90 API GL-5
Minimum Temperature	
Greater Than 104°F (40°C)	SAE 140 API GL-5
Engine Oil	
Preferred For All	
Ambient Temperatures	SAE 5W-30 API SH/CD
Minimum Temperature	
Greater Than 32°F (0°C)	SAE 10W-30 Or 10W-40 API SH/CD
Greater Than 50°F (10°C)	20W-50 API SH/CD
Power Steering Fluid	Dexron-II E ATF
Transmission	
Automatic Transmission	Nissan ATF Or Dexron-II E ATF
Manual Transmission	
Maximum Temperature	
Less Than 104°F (40°C)	SAE 80W-90 API GL-4
Minimum Temperature	
Greater Than 104°F (40°C)	SAE 140 API GL-4

FLUID CAPACITIES

FLUID CAPACITIES TABLE (1)

Application	Quantity
A/C System R-12 Refrigerant	
1989	32-35 Ozs.
1990-94 (2)	29-32 Ozs.
A/C System R-134a Refrigerant (3)	
1994 (2)	29-32 Ozs.
1995	21-24 Ozs.
Automatic Transmission Fluid	8.8 Qts. (8.3L)
Cooling System (4)	7.1 Qts. (6.7L)
Differential	
R200	1.4 Qts. (1.3L)
R200V	1.6 Qts. (1.5L)
Engine Oil (5)	4.0 Qts. (3.5L)
Fuel Tank	15.8 Gals. (60L)
Manual Transmission Oil	2.5 Qts. (2.4L)

- (1) - Capacities are recommended or calculated levels. Always use dipstick (if available) to measure level.
- (2) - A/C units from July 1993 may have R-134a, check vehicle for identification of refrigerant used.
- (3) - Use of R-12 in R134a systems will result in SEVERE DAMAGE
- (4) - Includes reservoir tank.
- (5) - Includes filter change.

WHEEL & TIRE SPECIFICATIONS

WHEEL & TIRE SPECIFICATIONS TABLE

Wheel Size	Tire Size
15 x 6JJ	P195/60R15
15 x 6JJ	P205/60R15
15 x 4T (Spare)	T125 x 70D15
16 x 4T (Spare)	T135 x 70D16

TIRE INFLATION

Cold tire inflation pressures can be found on the decal located on the glove box lid.

INFLATION PRESSURES TABLE

Application	Pressure psi (kg/cm ²)
Standard Tires	
Front	29 (2.0)
Rear	29 (2.0)
Compact Spare	60 (4.2)

WHEEL TIGHTENING

Tighten wheel lug nuts to 72-87 ft. lbs. (98-118 N.m).

BATTERY SPECIFICATIONS

CAUTION: When battery is disconnected, vehicles equipped with computers may lose memory data. When battery power is restored, driveability problems may exist on some vehicles. These vehicles may require a relearn procedure. See COMPUTER RELEARN PROCEDURES article in the GENERAL INFORMATION section.

If battery is replaced, it should be of the same group number as shown on the original battery's label. All years and models use BCI group 24C batteries.

CAUTIONS & WARNINGS

SUPPLEMENTAL RESTRAINT SYSTEM (SRS) AIR BAG SYSTEM

NOTE: See the AIR BAG RESTRAINT SYSTEM article in the ACCESSORIES/SAFETY EQUIPMENT Section.

The SRS has no user-servicable parts. Always have servicing done by an authorized dealer.

When performing maintenance on air bag equipped vehicles always observe proper safety precautions.

WARNING: To avoid injury from accidental air bag deployment, read and carefully follow all warnings and service precautions. See appropriate AIR BAG RESTRAINT SYSTEM article in the ACCESSORIES/SAFETY EQUIPMENT section.

CAUTION: Disconnect negative battery cable before servicing any air bag system, steering column or passenger side dash component. After any repair, turn ignition key to the ON position from passenger's side of vehicle in case of accidental air bag inflation

ANTI-LOCK BRAKE SYSTEM (ABS)

CAUTION: Never mix different diameter tires. On loose or uneven surfaces, the ABS system may require longer stopping distances than conventional brake systems. Exercise caution when removing mud or snow from the wheels so as not to damage the ABS wiring or speed sensors.

BATTERY WARNING

WARNING: When battery is disconnected, vehicles equipped with computers may lose memory data. When battery power is restored, driveability problems may exist on some vehicles. These vehicles may require a relearn procedure. See appropriate COMPUTER RELEARN PROCEDURES article in the GENERAL INFORMATION section below.

REPLACING BLOWN FUSES

Before replacing a blown fuse, remove ignition key, turn off all lights and accessories to avoid damaging the electrical system. Be sure to use fuse with the correct indicated amperage rating. The use of an incorrect amperage rating fuse may result in a dangerous electrical system overload.

BRAKE PAD WEAR INDICATOR

Indicator will cause a squealing or scraping noise, warning that brake pads need replacement.

CATALYTIC CONVERTER

Continued operation of vehicle with a severe malfunction could cause converter to overheat, resulting in possible damage to converter and vehicle.

COOLANT (PROPYLENE-GLYCOL FORMULATIONS)

CAUTION: To avoid possible damage to vehicle use only ethylene-glycol based coolants with a mixture ratio from 44-68% anti-freeze. DO NOT use 100% anti-freeze as it will cause the formation of cooling system deposits. This results in coolant temperatures of over 300° F (149°C) which can melt plastics. 100% anti-freeze has a freeze point of only -8° F (-22°C).

CAUTION: Propylene-Glycol Mixtures has a smaller temperature range than Ethylene-Glycol. The temperature range (freeze-boil) of a 50/50 Anti-Freeze/Water Mix is as follows:

Propylene-Glycol -26° F (-32°C) - 257° F (125°C)
Ethylene-Glycol -35° F (-37°C) - 263° F (128°C)

CAUTION: Propylene-Glycol/Ethylene-Glycol Mixtures can cause the destabilization of various corrosion inhibitors. Also Propylene-Glycol/Ethylene-Glycol has a different specific gravity than Ethylene-Glycol coolant, which will result in inaccurate freeze point calculations.

ELECTROSTATIC DISCHARGE SENSITIVE (ESD) PARTS

WARNING: Many solid state electrical components can be damaged by static electricity (ESD). Some will display a warning label, but many will not. Discharge personal static electricity by touching a metal ground point on the vehicle prior to servicing any ESD sensitive component.

ENGINE OIL

CAUTION: Never use non-detergent or straight mineral oil.

FUEL SYSTEM SERVICE

WARNING: Relieve fuel system pressure prior to servicing any fuel system component (fuel injection models).

HALOGEN BULBS

WARNING: Halogen bulbs contain pressurized gas which may explode if overheated. DO NOT touch glass portion of bulb with bare hands. Eye protection should be worn when handling or working around halogen bulbs.

RADIATOR CAP

CAUTION: Always disconnect the fan motor when working near the radiator fan. The fan is temperature controlled and could start at any time even when the ignition key is in the OFF

position. DO NOT loosen or remove radiator cap when cooling system is hot.

RADIATOR FAN

WARNING: Keep hands away from radiator fan. Fan is controlled by a thermostatic switch which may come on or run for up to 15 minutes even after engine is turned off.

SPARE TIRE USAGE

Ensure correct lug nuts are used when the spare tire is fitted. DO NOT use lug nuts from alloy wheels on steel wheels.

VEHICLE LOADING

The vehicle weight capacity is indicated on the FMVSS certification label found on the trailing edge of the driver's side door. DO NOT load the vehicle beyond the listed capacity.

WARRANTY INFORMATION

CAUTION: Always refer to customer's copy of warranty information for specific model application and/or coverage limitations.

NEW VEHICLE LIMITED WARRANTY

Covers the cost of all parts and labor needed to repair or adjust any item (except tires) on vehicle that has been proven defective in material or workmanship for 36 months or 36,000 miles, whichever occurs first.

PERFORATION WARRANTY

Covers any body sheet metal panel found to have developed perforation (rust-through) due to corrosion in normal use for 60 months from date of delivery, regardless of mileage.

POWERTRAIN WARRANTY

Takes effect upon the expiration of New Vehicle Limited Warranty and extends coverage up to a maximum of 60 months or 60,000 miles, whichever occurs first, on 1991-93 models. Powertrain on earlier model years is covered for 36 months or 36,000 miles. See copy of warranty for specific components covered.

RADIO, TAPE DECK, & AMPLIFIER WARRANTY

Covers repairs needed to correct defects in materials or workmanship for 12 months from date of delivery, regardless of mileage.

AIR CONDITIONING WARRANTY

Covers the sealed refrigerant portion of the air conditioning system for 12 months, regardless of mileage.

EMISSION SYSTEM DEFECTS WARRANTY (EXCEPT CALIFORNIA)

Manufacturer warrants its emission components in vehicle to

be free of defects in material and workmanship and that vehicle is designed, built and equipped to conform to all applicable Federal standards for emission control system at the time of sale. Warranty begins on the date vehicle is delivered or first put in use and is effective for 5 years or 50,000 miles, whichever occurs first.

EMISSIONS PERFORMANCE WARRANTY (EXCEPT CALIFORNIA)

Vehicle is warranted to comply to all applicable emissions standards as judged by an EPA-approved emissions test, for 5 years or 50,000 miles, whichever occurs first. After 24 months or 24,000 miles, only primary emission components which cause vehicle to fail an emissions test are covered. Refer to customer's copy of warranty information for specific details.

EMISSION SYSTEM DEFECTS WARRANTY (CALIFORNIA)

Warrants that vehicle is designed, built and equipped to conform to all applicable requirements of the California Air Resources Board and that emission control system in vehicle is free of defects in material and workmanship which would cause it to fail to meet those requirements. Warranty period is 5 years or 50,000 miles on 1988-89 vehicles, 3 years or 50,000 miles on 1990 vehicles, and 5 years or 50,000 miles on 1991-93 vehicles. On 1990 and later model years, certain primary emissions control components are warranted for 7 years or 70,000 miles, whichever occurs first. Maintenance items are only warranted until time of first scheduled replacement. Refer to customer's copy of warranty for specific details.

EMISSIONS PERFORMANCE WARRANTY (CALIFORNIA)

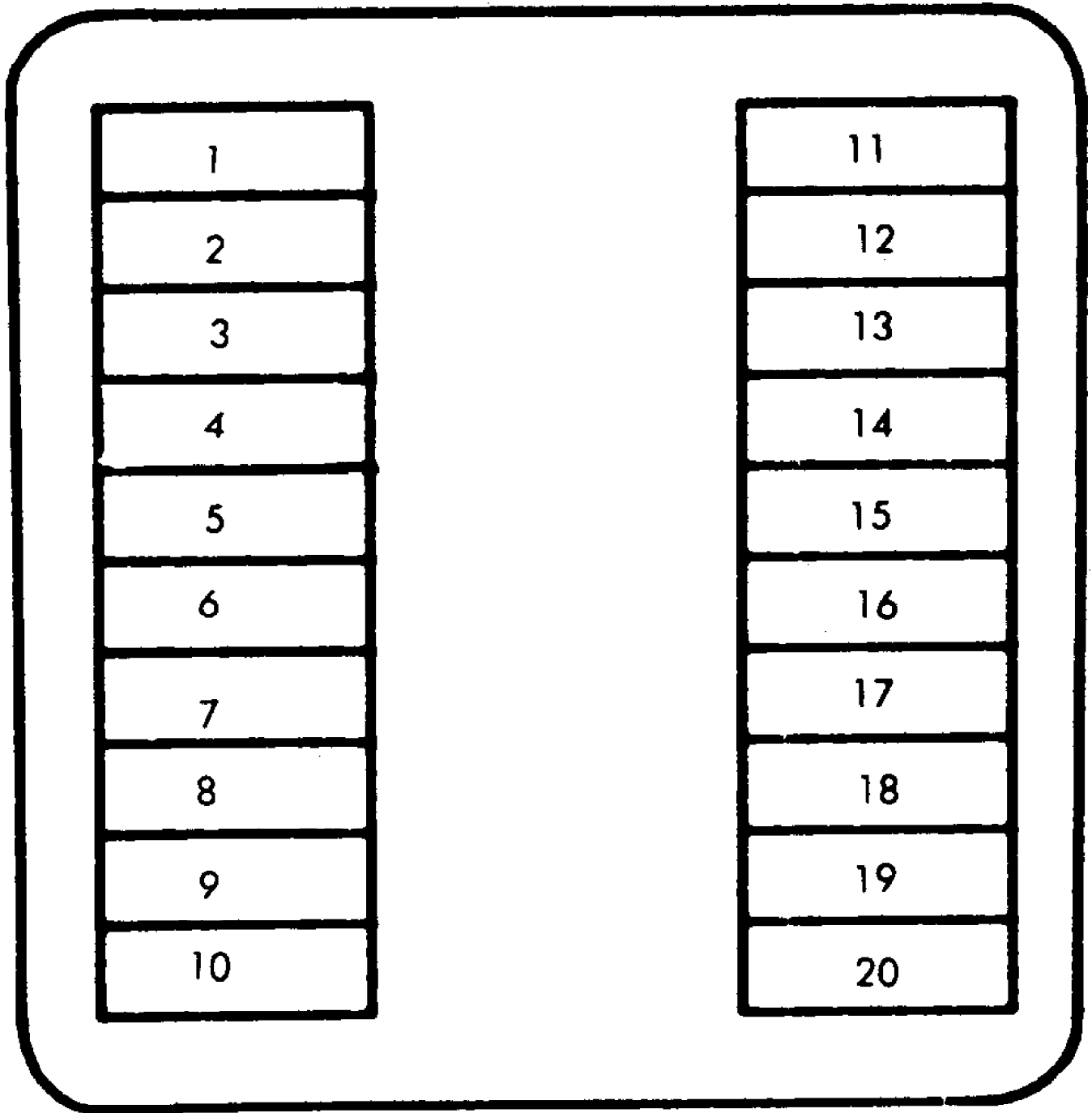
Vehicle is warranted against any defects that would cause failure to pass a California Smog Check test for 2 years or 24,000 miles, whichever occurs first. (3 years/50,000 miles on 1990 and later models). Warranty coverage is extended to a maximum of 5 years or 50,000 miles (7 years/70,000 miles on 1990 and later models) on only those primary components which affect the vehicle's emissions performance, and on defects in materials or workmanship which would cause vehicle to fail a required Smog Check test. Refer to customer's copy of warranty information for specific details.

FUSES & CIRCUIT BREAKERS

FUSE PANEL LOCATION

The fuse panel is located beneath the instrument panel to the left of the steering column. The fusible link panel is located under the hood. The fuse specifications for each box are on a decal on the inside of the respective fuse box lids.

FUSE PANEL IDENTIFICATION



93J45426

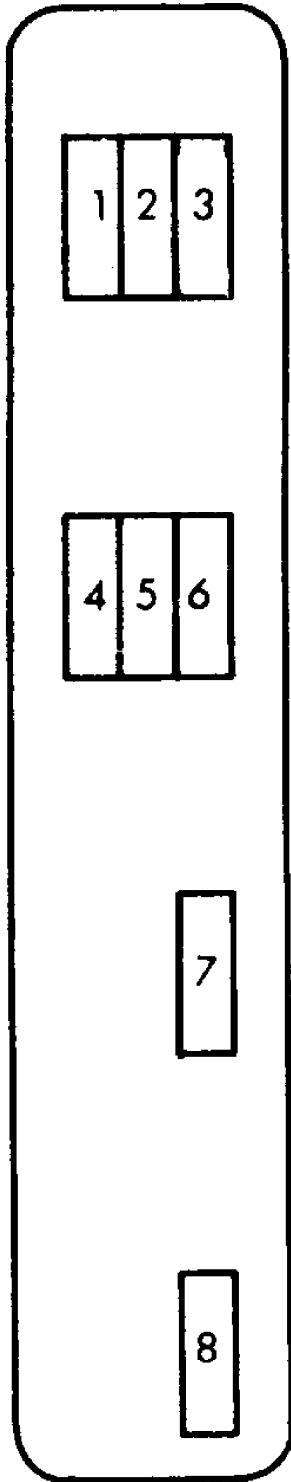
Fig. 3: Fuse Panel Identification
Courtesy of Nissan Motor Co., U.S.A.

Fuse & Circuit Breaker Identification

- 1 - 15 Amp
Blower Motor
- 2 - 15 Amp
Blower Motor

- 3 - 10 Amp
Heater & Air Conditioner
- 4 - 15 Amp
Cigarette Lighter
- 5 - 20 Amp
Front Windshield Wiper & Washer
- 6 - 10 Amp
Rear Window Wiper & Washer, Door Mirror System
- 7 - 10 Amp
Head-up Display Control Unit, Time Control Unit, Radio,
Audio, Rear Window Defogger Relay, Digital Gauges
Illumination, Auto Antenna Timer (1990-95)
- 8 - 10 Amp
Turn Signals
- 9 - 10 Amp
Gauges, Head-Up Display Control Unit, Automatic Seat Belt
Control Unit, Auto Antenna Timer (1990-95),
Time Control Unit, Daytime Running Lights (Canada)
- 10 - 10 Amp
Cruise Control, HICAS Control Unit
- 11 - 20 Amp
Rear Window Defogger
- 12 - 20 Amp
Rear Window Defogger
- 13 - 10 Amp
Interior Lights, Radio, Audio, Clock, Warning Chime, Time
Control Unit, A/T Control Unit, Head-Up Display Control Unit,
Automatic Seat Belt Control Unit, HICAS Control Unit,
Auto Antenna Timer (1990-95)
- 14 - 15 Amp
Stoplight, Shift Lock Control Unit, Cruise Control Unit
- 15 - 10 Amp
Hazard Warning Light
- 16 - 5 Amp
Headlight Timer, Retractor Relay
- 17 - 10 Amp
Daytime Light Control Unit (1990-95)
- 18 - 15 Amp
Exterior Lights, Illumination, Glove Box Light, Headlight
Timer, Time Control Unit
- 19 - 10 Amp
ECCS Control Unit, Daytime Light Control Unit (1990-95)
- 20 - 10 Amp
Back-Up Light, Inhibitor Switch, A/T Control Unit, Shift Lock
Control Unit, ABS Control Unit (1990-95), HICAS Warning Light
(If Equipped)

FUSIBLE LINK PANEL IDENTIFICATION



93H45432

Fig. 4: Fusible Link Panel Identification
Courtesy of Nissan Motor Co., U.S.A.

Fusible Link Identification

- 1 - 15 Amp
Front Foglight
- 2 - 10 Amp
Horn, Cruise Control
- 3 - Blank (1989-90)
20 Amp (1991-95)
Anti-Lock Brake System
- 4 - 10 Amp
Bulb Check Relay
- 5 - 10 Amp
Fuel Pump, Air Regulator
- 6 - 10 Amp
Shift Lock Control Unit, Key Switch
- 7 - 15 Amp
Right Headlight
- 8 - 15 Amp
Left Headlight