

# M - VACUUM DIAGRAMS

1990 Nissan 240SX

1990 ENGINE PERFORMANCE  
Vacuum Diagrams

Nissan; 240SX, 300ZX, Axxess, Maxima, Pathfinder,  
Pickup, Pulsar, Sentra, Stanza, Van

## INTRODUCTION

This article contains underhood views of vacuum hose routing. Use these vacuum diagrams during the visual inspection portion of F - BASIC TESTING article. This will assist in identifying improperly routed vacuum hoses which cause driveability and/or computer-indicated malfunctions.

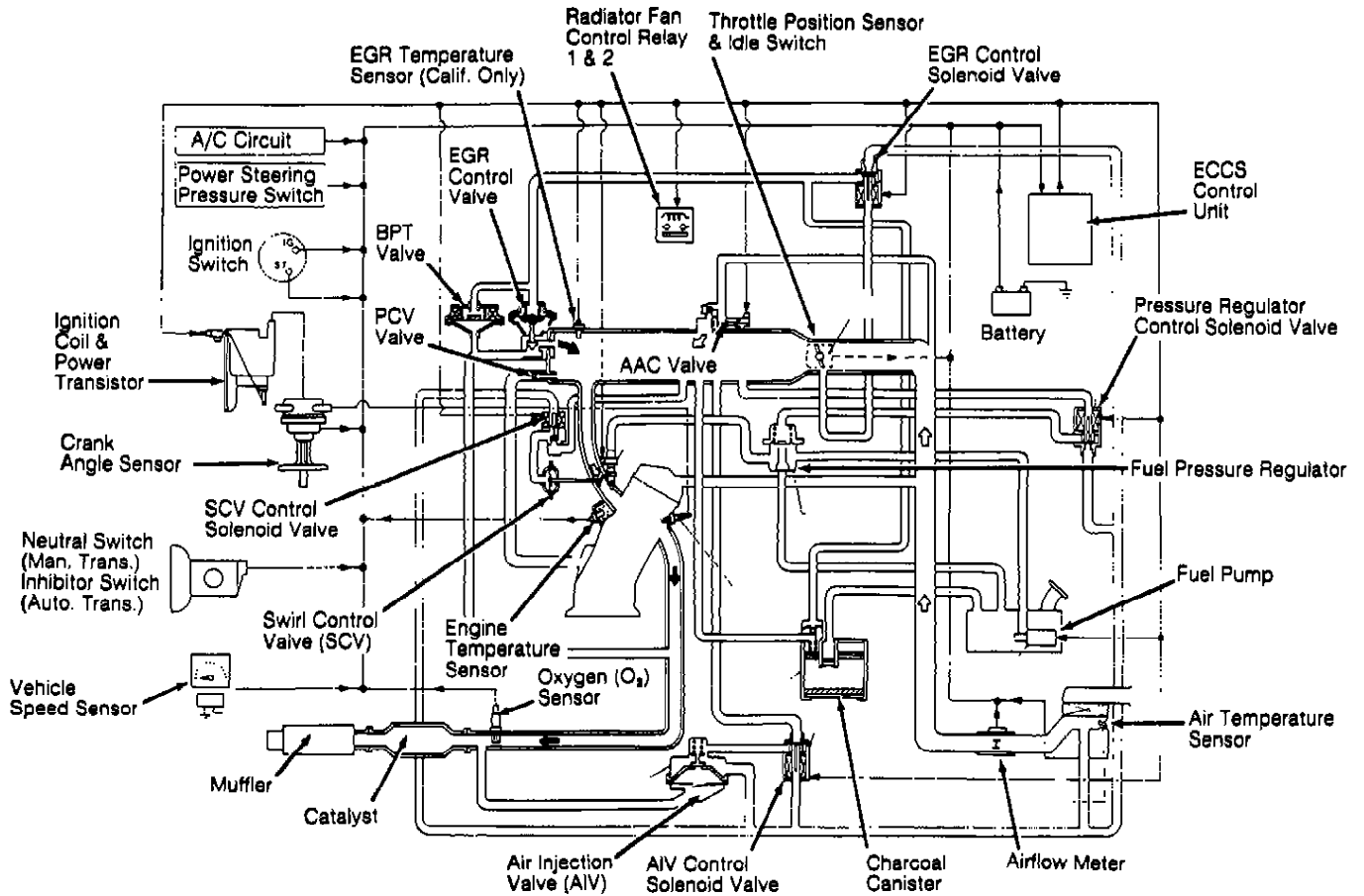


Fig. 1: Axxess Vacuum Diagram  
Courtesy of Nissan Motor Co., U.S.A.

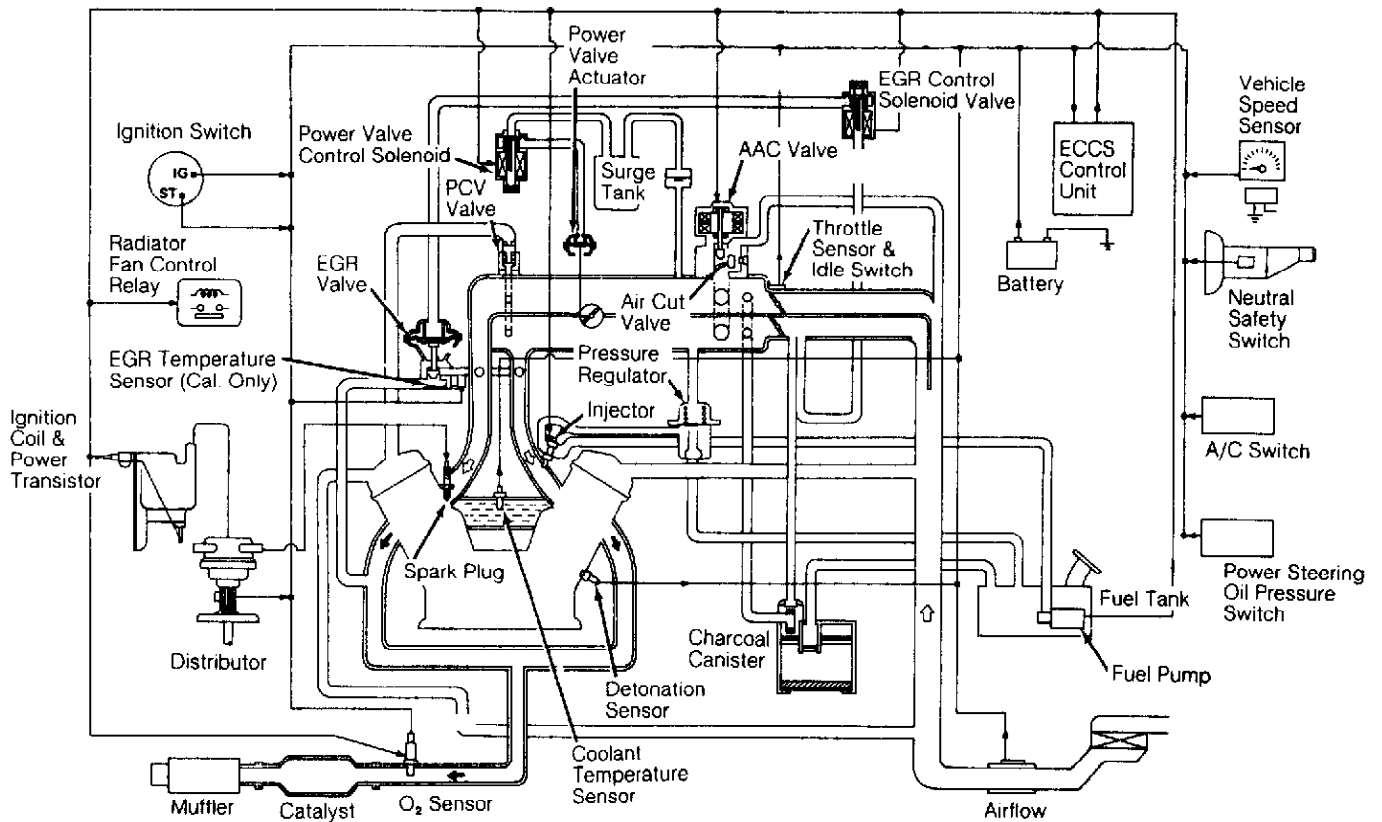


Fig. 2: Maxima Vacuum Diagram  
 Courtesy of Nissan Motor Co., U.S.A.

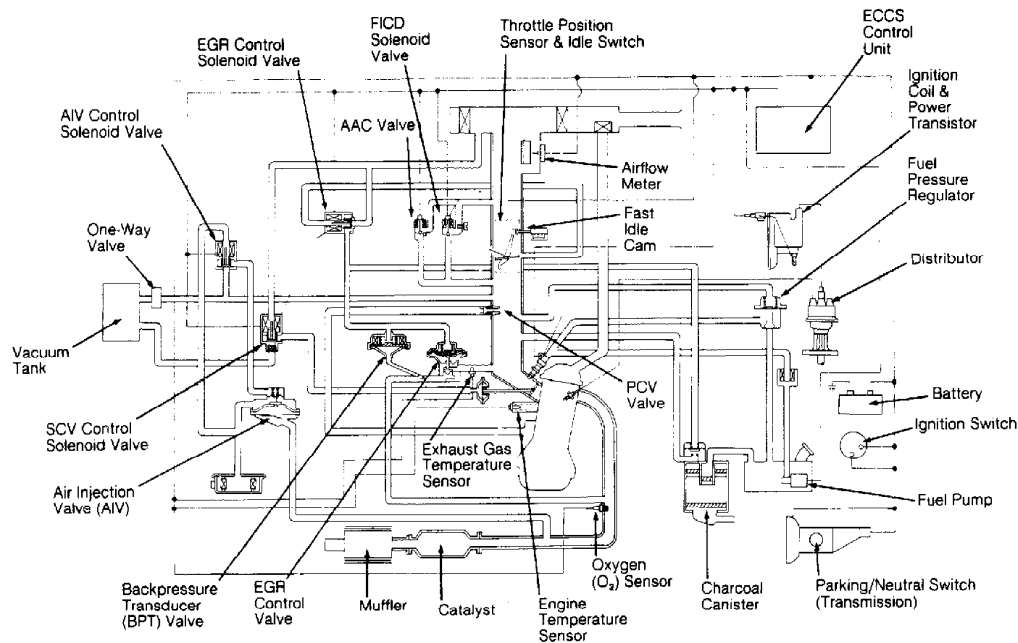


Fig. 3: Pickup (4-Cylinder) Vacuum Diagram  
 Courtesy of Nissan Motor Co., U.S.A.

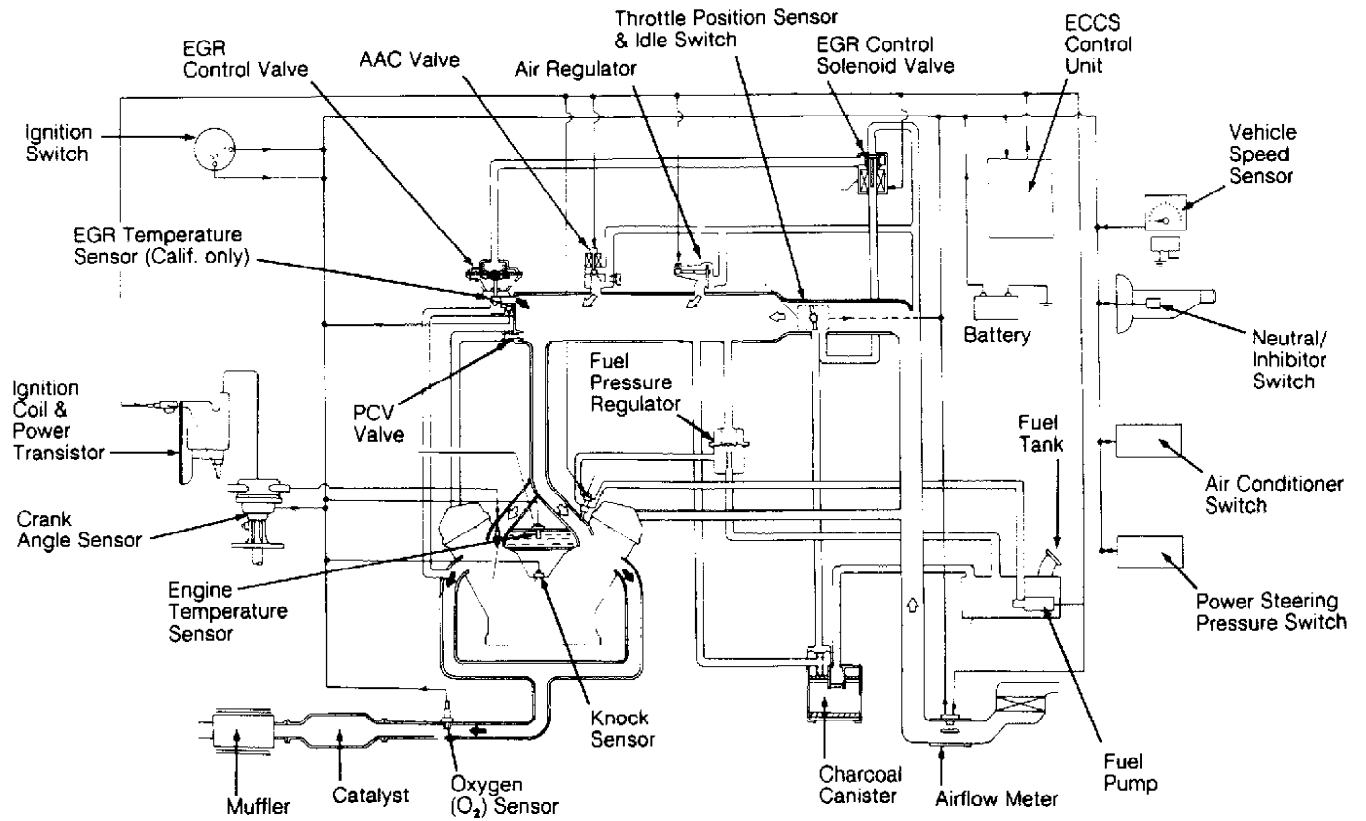


Fig. 4: Pathfinder & Pickup (V6) Vacuum Diagram  
 Courtesy of Nissan Motor Co., U.S.A.

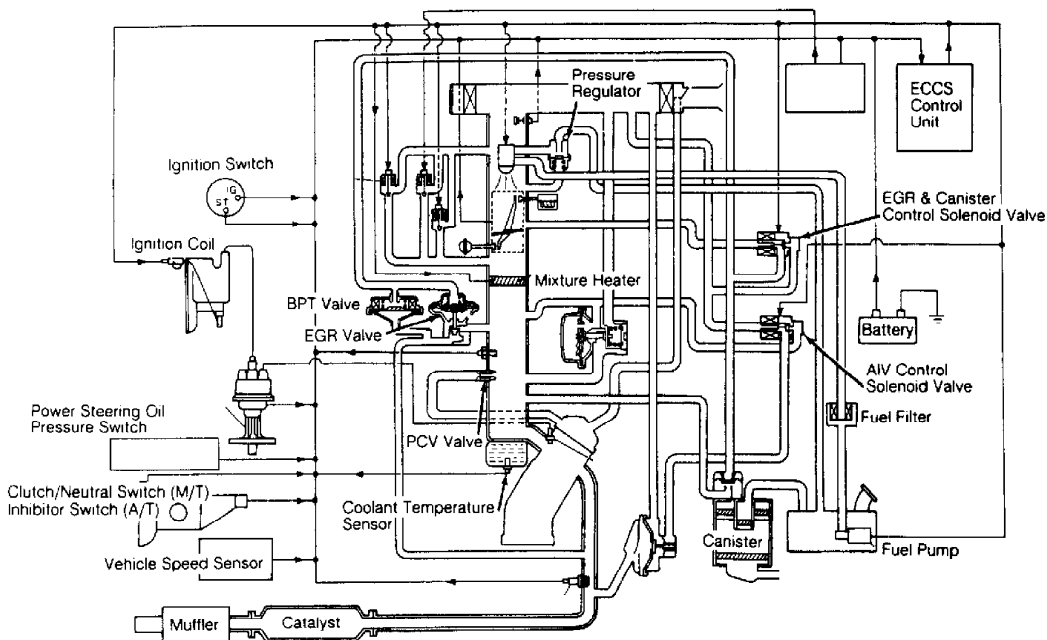


Fig. 5: Pulsar NX Vacuum Diagram  
 Courtesy of Nissan Motor Co., U.S.A.

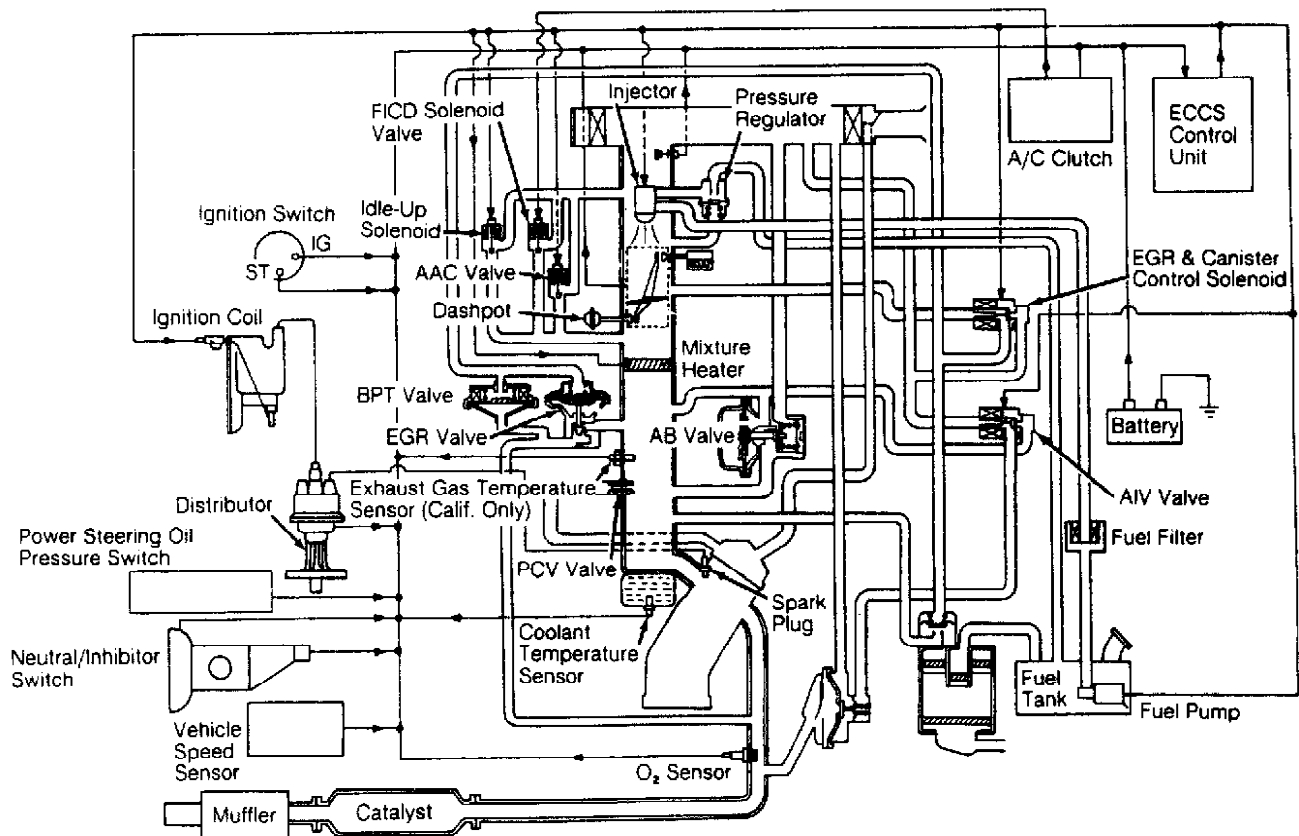


Fig. 6: Sentra Vacuum Diagram  
 Courtesy of Nissan Motor Co., U.S.A.

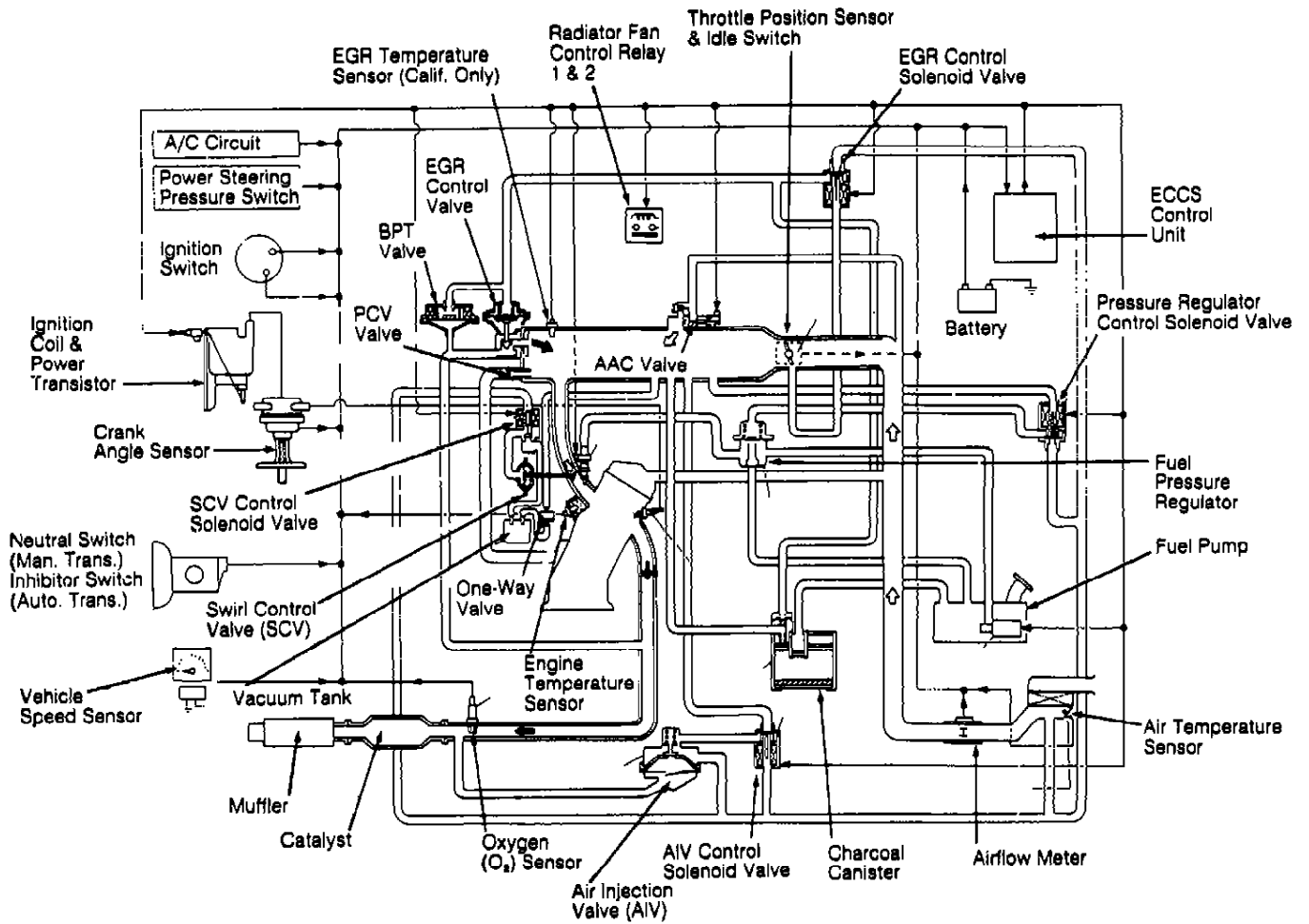


Fig. 7: Stanza Vacuum Diagram  
 Courtesy of Nissan Motor Co., U.S.A.

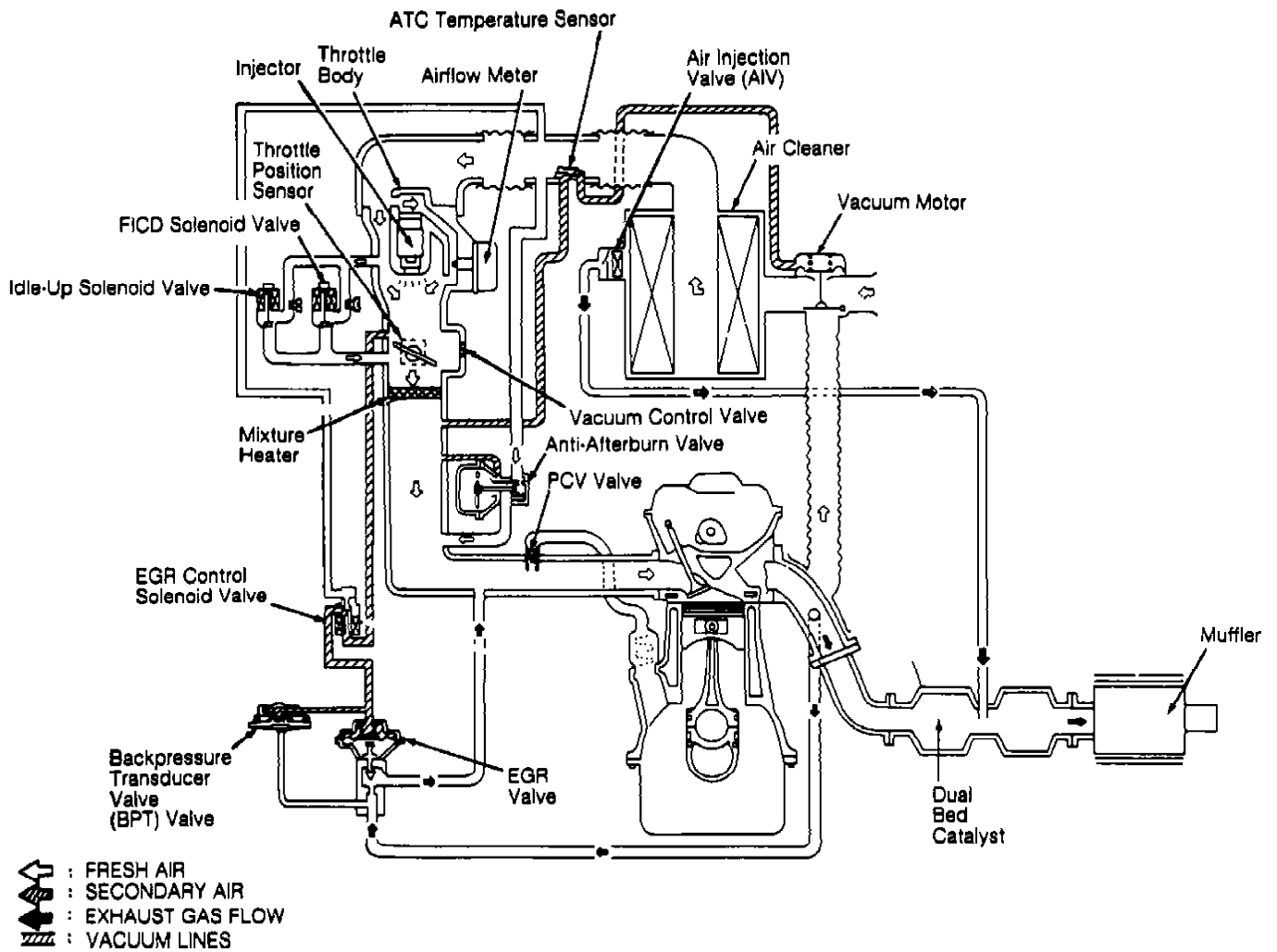


Fig. 8: Van Vacuum Diagram  
 Courtesy of Nissan Motor Co., U.S.A.

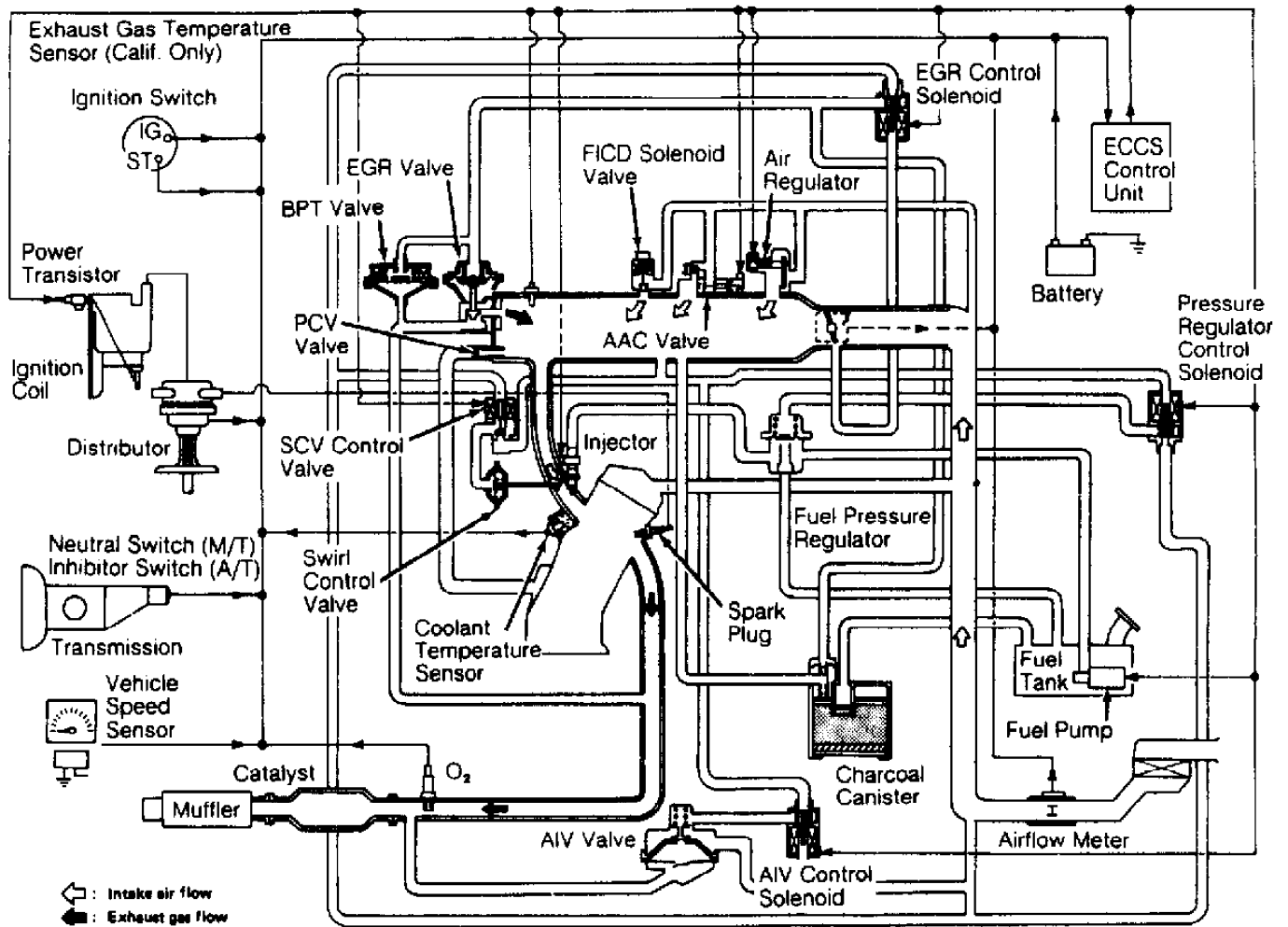


Fig. 9: 240SX Vacuum Diagram  
 Courtesy of Nissan Motor Co., U.S.A.

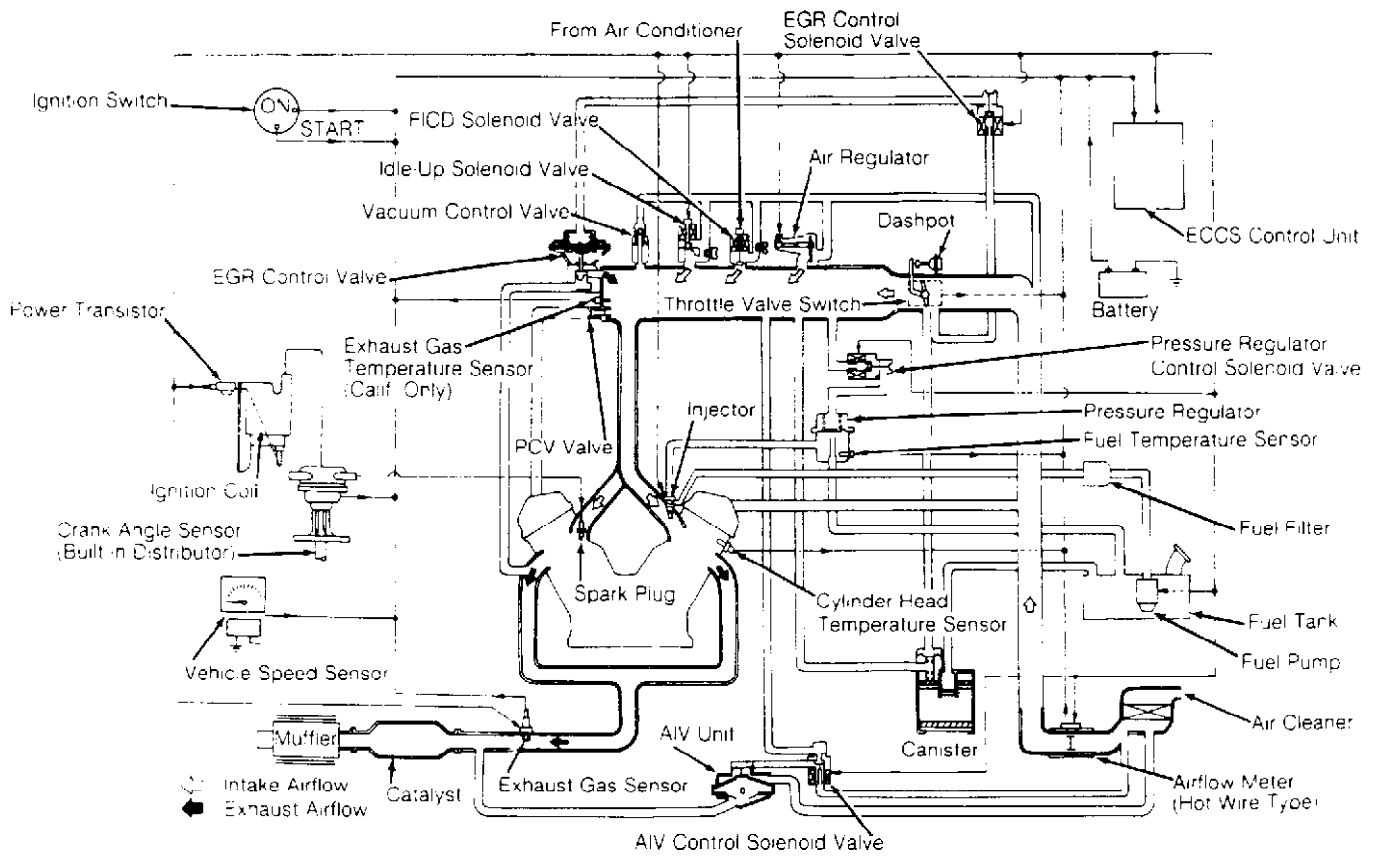


Fig. 10: 300ZX Vacuum Diagram  
 Courtesy of Nissan Motor Co., U.S.A.