

STEERING COLUMN

1990 Nissan 240SX

1990 STEERING
Nissan - Steering Columns

Axxess, Maxima, Pathfinder, Pickup,
Pulsar NX, Sentra, Stanza, 240SX, 300ZX

DESCRIPTION

Steering columns are designed to be collapsible upon impact. A flexible coupling and 2 "U" joints connect steering column and gear assembly. Vehicles equipped with tilt steering wheels also use a flexible coupling. See Fig. 1.

On models with Supplemental Restraint System (SRS), observe the following precautions: Before any repairs are performed, disconnect and shield battery ground. Disconnect SRS connector at control unit. Use caution when working around steering column as air bag could deploy.

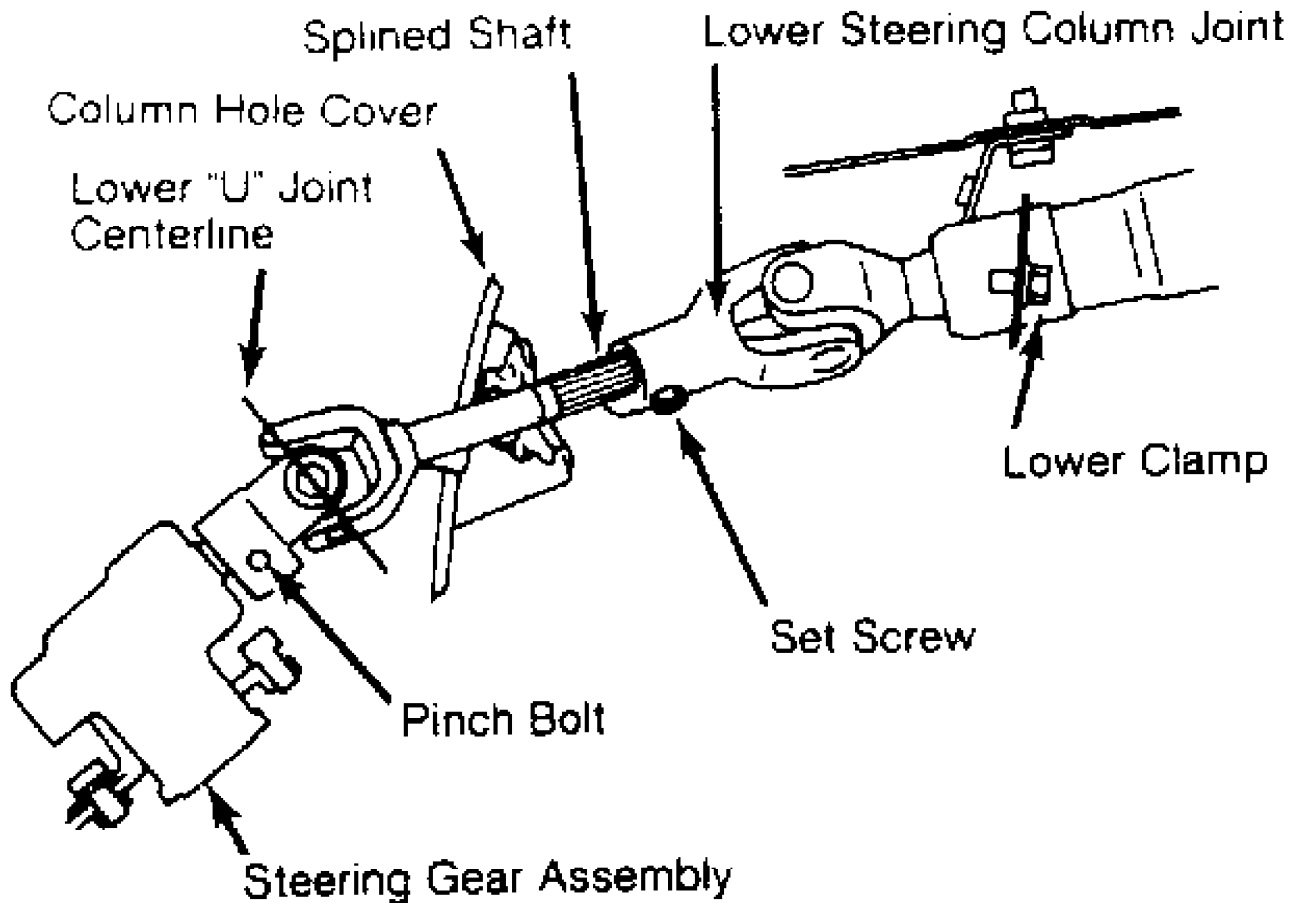


Fig. 1: Lower Steering Column Assembly (Pulsar NX)
Courtesy of Nissan Motor Co., U.S.A.

REMOVAL & INSTALLATION

STEERING COLUMN

CAUTION: Applying excessive pressure or causing impact to mainshaft during service, may cause the column to collapse.

Removal

1) Disconnect negative battery cable. Place wheels in straight-ahead position. Remove horn pad, cruise control (if equipped) and steering wheel nut. Using a puller, remove steering wheel. See STEERING COLUMN SWITCHES in appropriate ACCESSORIES & EQUIPMENT article.

2) Remove lower "U" joint clamp bolt. Remove upper and lower column covers. Remove wiring harness connectors, canceling cam, combination switch and ignition switch. Remove heater ducts, lower column bracket bolts and floor plate/dust boot bolts or nuts.

3) Mark pinion shaft to "U" joint for reassembly reference. Remove upper column bracket bolts. Carefully pull steering column toward passenger compartment to remove.

Installation

1) Place wheels in a straight-ahead position. Ensure pinion punch mark faces rear of vehicle. Insert steering column assembly through floor opening from passenger compartment side.

2) Align marks made during removal, connect lower "U" joint to pinion. Position steering column upper bracket, lower bracket (if equipped) and floor bracket/dust boot.

3) Finger tighten upper column bracket bolts to support column. Install and tighten lower "U" joint bolt. Tighten upper and lower column bracket bolts. See TORQUE SPECIFICATIONS table at end of article.

4) Install combination switch, canceling cam and ignition switch. Connect wiring harness connectors. Install heater ducts, and upper and lower column covers. Install steering wheel.

5) Tighten steering wheel nut. Install horn. Install cruise control (if equipped). Check operation of horn, ignition switch and combination switch. Turn wheel lock-to-lock to check centering and turning ease.

STEERING COLUMN OVERHAUL

Disassembly

1) Remove snap ring from upper end of steering column. Slide steering shaft from lower end of steering column. Remove grease seals and bearings.

2) DO NOT attempt to disassemble tilt mechanism (if equipped). If damage to tilt mechanism or collapsible section is suspected, replace steering column assembly.

Inspection

Check bearings for smooth operation. If necessary, lubricate bearings with grease. Check jacket tube for deformation. Replace parts as required. If vehicle has been in a collision, check column dimension "A" in STEERING COLUMN DIMENSIONS table. See appropriate Fig. 2 thru 10.

Reassembly

Lubricate and install bearings. Install grease seals. Slide steering shaft into steering column. Always use new snap rings during reassembly.

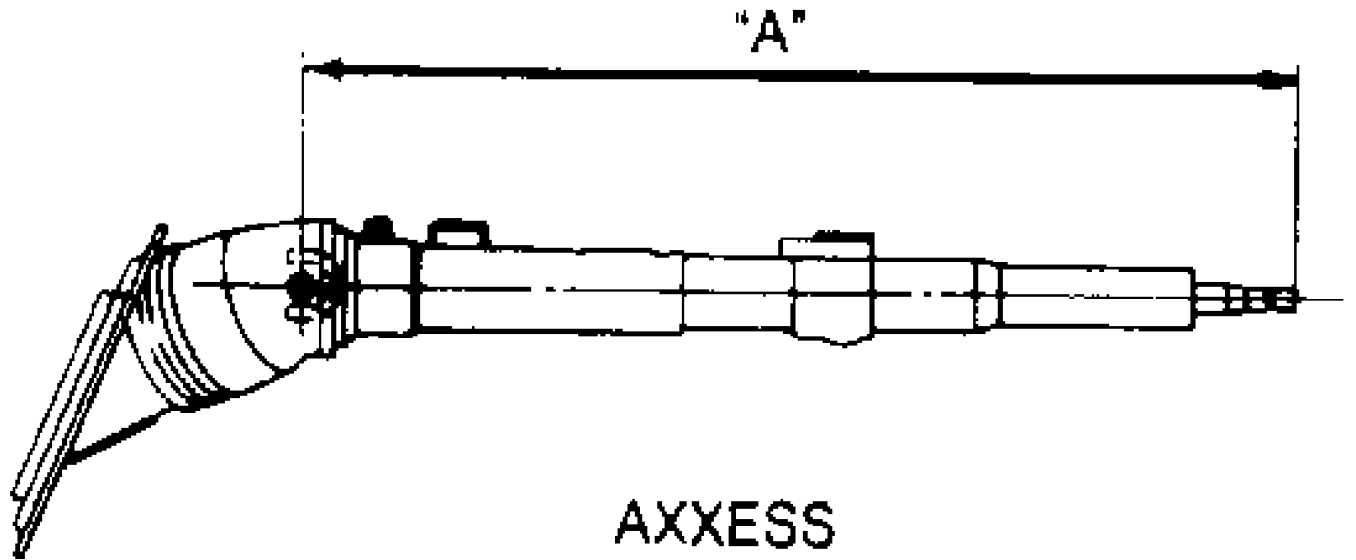


Fig. 2: Steering Column Measuring Points (Axxess)
 Courtesy of Nissan Motor Co., U.S.A.

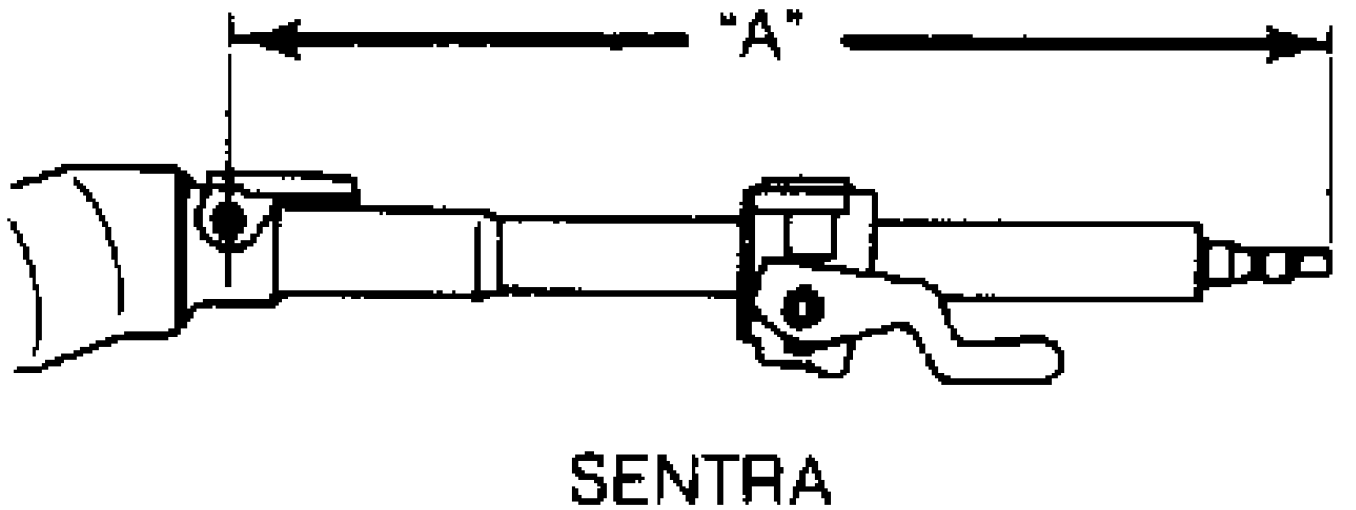


Fig. 3: Steering Column Measuring Points (Sentra)
 Courtesy of Nissan Motor Co., U.S.A.

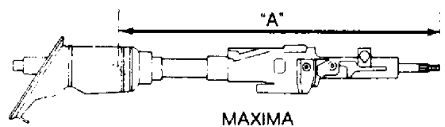


Fig. 4: Steering Column Measuring Points (Maxima)
 Courtesy of Nissan Motor Co., U.S.A.

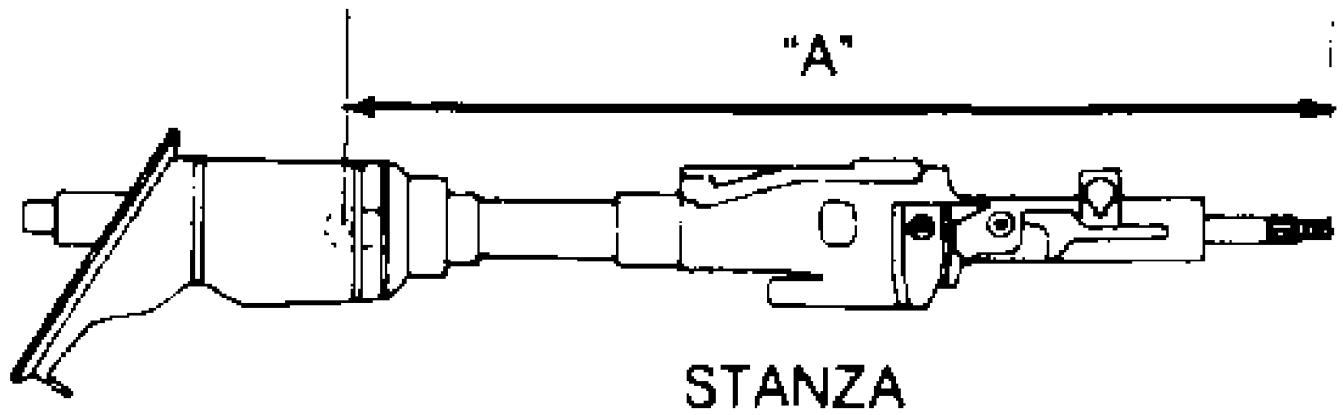
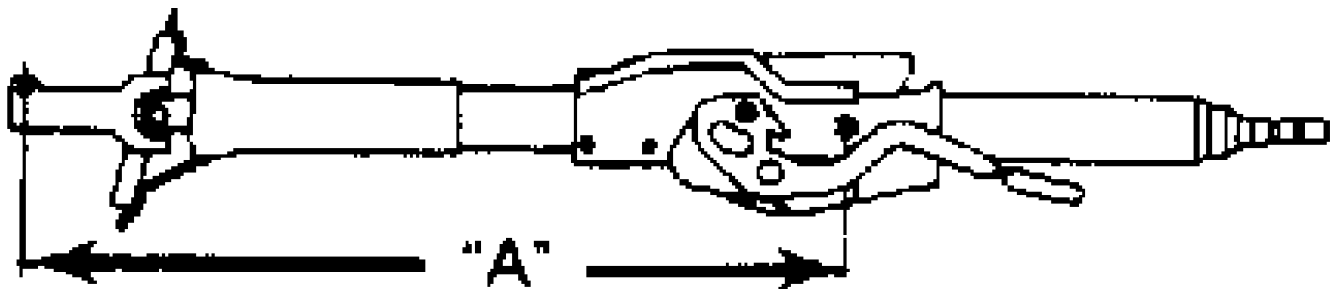


Fig. 5: Steering Column Measuring Points (Stanza)
 Courtesy of Nissan Motor Co., U.S.A.



200SX SE & 200SX XE

Fig. 6: Steering Column Measuring Points (Pulsar)
 Courtesy of Nissan Motor Co., U.S.A.

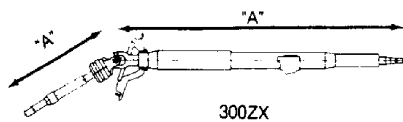


Fig. 7: Steering Column Measuring Points (300ZX)
 Courtesy of Nissan Motor Co., U.S.A.

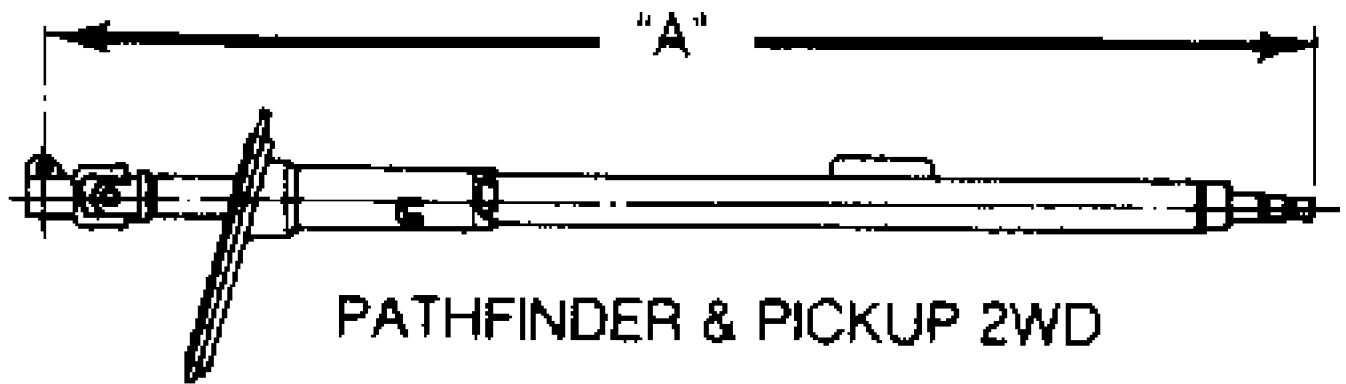


Fig. 8: Steering Column Measuring Points (Pathfinder, Pickup 2WD)
 Courtesy of Nissan Motor Co., U.S.A.

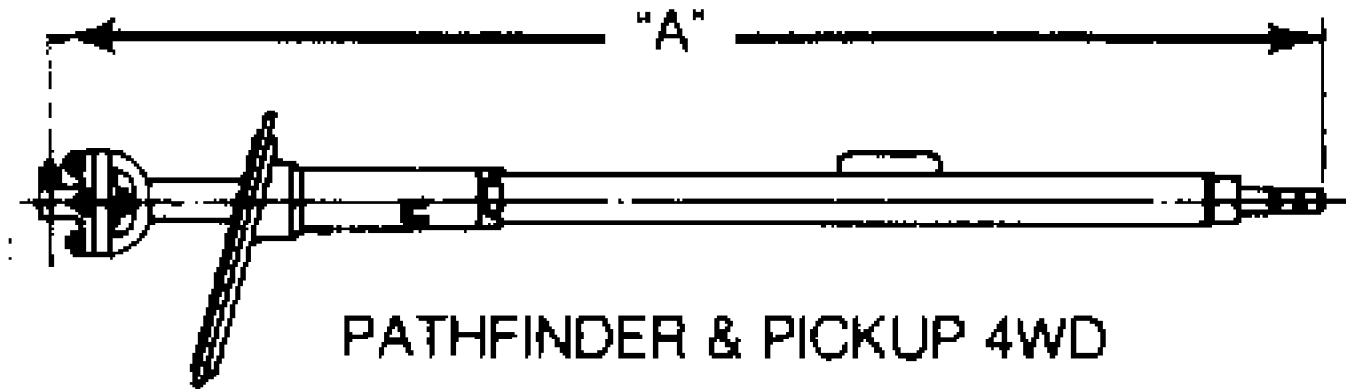


Fig. 9: Steering Column Measuring Points (Pathfinder, Pickup 4WD)
 Courtesy of Nissan Motor Co., U.S.A.

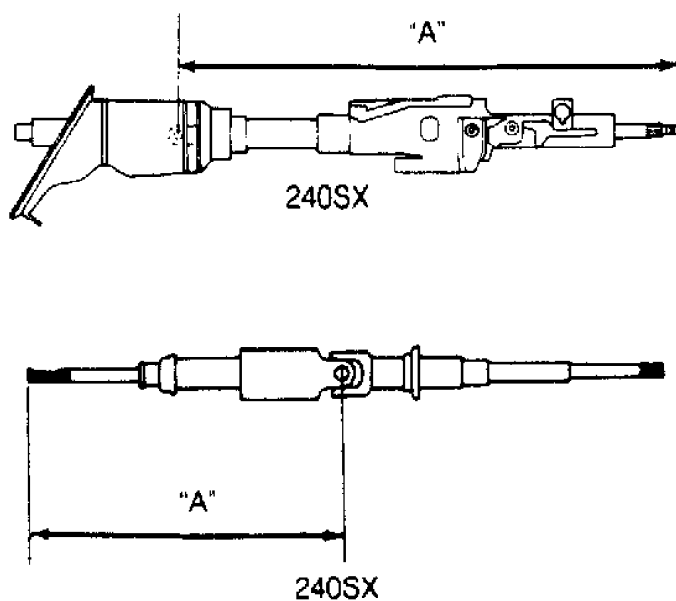


Fig. 10: Steering Column Measuring Points (240SX)
 Courtesy of Nissan Motor Co., U.S.A.

Models	(1) Dimension "A"	
	In.	(mm)
Axxess	24.61-24.68	(625.1-626.9)
Maxima	22.88-22.94	(581.2-582.7)
Pathfinder & Pickup		
2WD	36.14-36.20	(918.0-919.5)
4WD	34.89-34.95	(886.1-887.7)
Pulsar NX	23.62-23.70	(599.9-601.9)
Sentra	21.86-21.92	(555.2-556.8)
Stanza	22.88-22.94	(581.2-582.7)
240SX		
Upper Shaft	25.71-25.77	(653.0-655.0)
Lower Shaft	12.74-12.81	(323.6-325.4)
300ZX		
Upper Shaft	29.37-29.43	(745.9-747.5)
Lower Shaft	11.05-11.11	(280.7-282.2)

(1) - See Figs. 2-4 for measuring points.

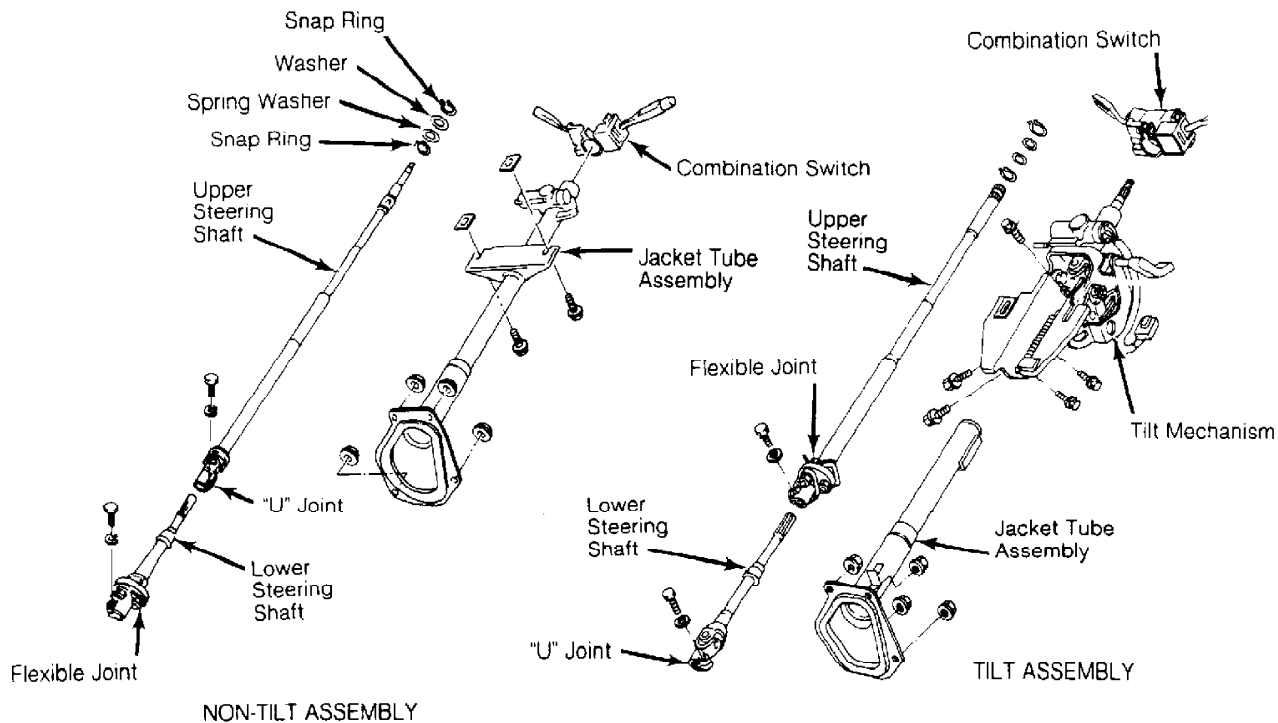
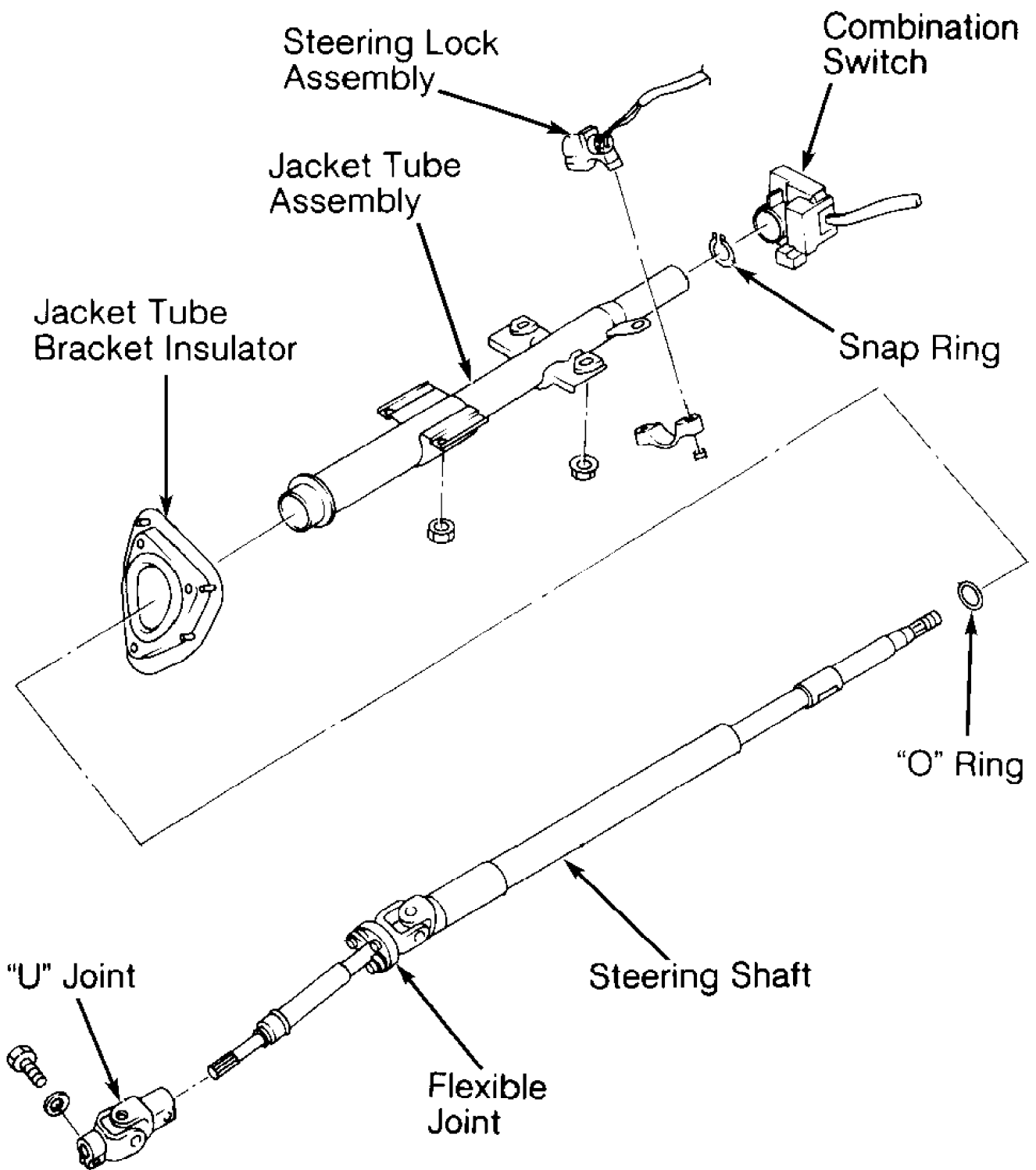


Fig. 11: Exploded View of Steering Column Assemblies (Pathfinder & Pickup)
 Courtesy of Nissan Motor Co., U.S.A.



91F02389

Fig. 12: Exploded View of Steering Column Assembly (300ZX)
 Courtesy of Nissan Motor Co., U.S.A.

TORQUE SPECIFICATIONS

TORQUE SPECIFICATIONS TABLE

Application	Ft. Lbs. (N.m)
Flexible Coupling Attaching Bolt	
Except Maxima	17-22 (23-30)
Maxima	14-22 (19-30)
Lower Column Bracket Bolt	
Stanza	12-15 (16-20)
Steering Wheel Retaining Nut.	
All Models	22-29 (30-39)
Tilt Bracket-to-Column Bolt	
Pathfinder, Pickup & 300ZX	12-15 (16-20)
"U" Joint Bolt	
Except Stanza	17-22 (23-30)
Stanza	22-29 (30-39)
	INCH Lbs. (N.m)
Floor Plate Mounting Nut	
Pathfinder & Pickup	78-120 (9-14)
Pulsar NX & Sentra	30-40 (3.4-4.4)
240SX	70-84 (8-10)
300ZX	108-144 (12-16)
Lower Column Bracket Bolt	
Axxess, Maxima, Stanza &	
240SX	78-120 (9-14)
Pulsar NX & Sentra	108-156 (12-18)
300ZX	78-108 (9-12)
Lower Column Bracket Nut	
Sentra	108-156 (13-18)
300ZX	78-108 (9-12)
Upper Column Bracket Bolt	
All Models	108-156 (13-18)