

WIRING DIAGRAMS

1990 Nissan 240SX

1990 Wiring Diagrams
Nissan

240SX

IDENTIFICATION

COMPONENT LOCATION MENU

COMPONENT LOCATIONS TABLE

| Component | Figure No. (Location) |
|---|-----------------------|
| A/C RELAY | 5 (D-E 17) |
| ABS ACTUATOR | 7 (D-E 27) |
| ABS CONTROL UNIT | 7 (D-E 24) |
| ACCESSORY RELAY #1 | 3 (A 9) |
| ACCESSORY RELAY #2 | 3 (A 8) |
| AIV SOLENOID | 2 (A 5) |
| ALTERNATOR | 1 (C-D 2) |
| AUTO ANTENNA TIMER | 6 (C-D 20) |
| AUTOMATIC SEAT BELT CONTROL UNIT | 7 (A 25-26) |
| AUTOMATIC TRANS CTRL UNIT (A/T CTRL UNIT) | 4 (A 13-14) |
| BACK-UP LT SW | 8 (C 30) |
| BATTERY | 1 (A 2-3) |
| BLOWER MOTOR | 5 (E 17) |
| BLOWER RELAY | 3 (C 8) |
| BRAKE FLUID LEVEL SW | 6 (E 21) |
| BULB CHECK RELAY | 6 (D 20) |
| CHECK CONN | 2 (A-B 7) |
| CIG LTR | 3 (C 8) |
| CLUTCH INTERLOCK SW | 3 (B 11) |
| COMB FLASHER | 5 (D 16) |
| CRUISE CTRL HOLD RLY | 4 (D 13) |
| CRUISE CTRL STEERING SW | 4 (C-D 15) |
| CRUISE CTRL SW | 4 (E 13) |
| CRUISE CTRL UNIT | 4 (D-E 15) |
| DIODE BOX | 6 (E 20) |
| DIR LT SW | 5 (D 16) |
| DOOR LOCK TIMER | 8 (A 28) |
| DOOR SWS | 8 (E 29) |
| ECCS CTRL UNIT | 2 (A-E 4) |
| ECCS RELAY | 2 (A 4-5) |
| ENGINE TEMP SENS | 2 (D 7) |
| EXHAUST GAS TEMP SENS | 2 (C 5) |
| FAN SW | 5 (D-E 16) |
| FICD SOL | 2 (A 6) |
| FOG LT RELAY | 1 (C 1-2) |
| FOG LT SW | 5 (C 17) |
| FUEL PUMP RELAY | 2 (A 7) |
| FUEL TANK UNIT | 6 (B 20) |
| FUS LINKS | 1 (B-C 3) |
| FUSE BLOCK | 3 (B-D 9-10) |
| GLOVE BOX LT SW | 5 (C 19) |
| HAZARD SW | 5 (C 16) |
| HEADLT SW | 5 (A 16) |
| HEADLT TIMER | 5 (B 16) |
| HORN RELAY | 1 (C 1) |
| IGNITION COIL | 2 (C 7) |

| | | |
|----------------------------------|---|-------------|
| IGN RELAY | 3 | (A 9-10) |
| IGN SW | 3 | (A 11) |
| ILLUM CONTROL SW | 5 | (B 19) |
| INHIBITOR RELAY | 4 | (D 13) |
| INHIBITOR SW | 4 | (A-B 12) |
| INSTRUMENT CLUSTER | 6 | (A-E 23) |
| INTERIOR LIGHT | 8 | (E 28-29) |
| INTERLOCK RELAY | 3 | (B 10) |
| KEY SW | 4 | (E 12) |
| LEFT RETRACT MOTOR | 1 | (D 1) |
| NEUTRAL SW | 2 | (E 4) |
| OIL PRES SW | 6 | (A-B 20) |
| OVERDRIVE INDICATOR | 4 | (C 12) |
| OVERDRIVE SW | 4 | (C 12) |
| PARK BRAKE SW | 6 | (E 20) |
| POWER MIRROR SW | 7 | (C 24) |
| POWER WINDOW MAIN SW | 7 | (C 27) |
| PUSH CTRL UNIT | 5 | (D-E 19) |
| REAR WDO DEFOGGER RLY | 8 | (E 29) |
| REAR WDO DEFOGGER SW | 8 | (D-E 29) |
| REAR WIPER/WASHER SYSTEM | 8 | (B-C 28-29) |
| RELAY BOX (PARTIAL) | 1 | (B-C 3) |
| RESISTOR | 2 | (B 7) |
| RETRACT RELAYS #1-#2-#3-#4 | 1 | (D-E 3) |
| RETRACT SW | 5 | (B 16) |
| RIGHT RETRACT MOTOR | 1 | (A-B 1) |
| SHIFT LOCK CTRL UNIT | 4 | (D-E 12) |
| SPEED SENSOR | 6 | (A 20) |
| STARTER MOTOR | 1 | (A 3) |
| STOP LT SW | 8 | (B 29) |
| SUNROOF SYSTEM | 8 | (D 28-29) |
| TEMP SENSOR | 6 | (A 20) |
| THROTTLE POSITION SENSOR | 2 | (D-E 7) |
| THROTTLE VALVE SW | 2 | (E 7) |
| WASHER FLUID LEVEL SW | 6 | (D 21) |
| WASHER MOTOR | 3 | (E 9) |
| WIPER AMP | 3 | (D-E 11) |
| WIPER/WASHER SW | 3 | (E 8) |

WIRING DIAGRAMS

COMPONENT LOCATOR:

| | |
|-------------------------------------|-----------|
| A/C RELAY | D-E 17 |
| ABS ACTUATOR | D-E 27 |
| ABS CTRL UNIT | D-E 24 |
| ACCESSORY RELAY #1 | A 8 |
| ACCESSORY RELAY #2 | A 9 |
| AIV SOL | A 5 |
| ALTERNATOR | C-D 2 |
| AUTO ANTENNA TIMER | C-D 20 |
| AUTOMATIC SEAT BELT CONTROL UNIT | A 25-26 |
| AUTOMATIC TRANSMISSION CONTROL UNIT | A 13-14 |
| BACK-UP LT SW | C 30 |
| BATTERY | A 2-3 |
| BLOWER MOTOR | A 2-3 |
| BLOWER RELAY | C 8 |
| BRAKE FLUID LEVEL SW | E 21 |
| BULB CHECK RELAY | D 20 |
| CHECK CONN. | A 5-7 |
| CIG LTR | C 8 |
| CLUTCH INTERLOCK SW | B 11 |
| COMB FLASHER | D 16 |
| CRUISE CTRL HOLD RELAY | D 13 |
| CRUISE CTRL STEERING SW | C-D 16 |
| CRUISE CTRL SW | E 13 |
| CRUISE CTRL UNIT | D-E 19 |
| DIODE BOX | E 20 |
| DIR LT SW | A 28 |
| DOOR LOCK TIMER | E 29 |
| DOOR SW | A-E 4 |
| ECCS CTRL UNIT | D 7 |
| ECCS RELAY | A-E 4 |
| ENGINE TEMP SENS | D 7 |
| EXHAUST GAS TEMP SENS | C 5 |
| FAN SW | D-E 18 |
| F/CD SOL | A 8 |
| FOG LT RELAY | C 1-2 |
| FOG LT SW | C 17 |
| FUEL PUMP RELAY | A 7 |
| FUEL TANK UNIT | B 20 |
| FUS LINKS | B-C 3 |
| FUSE BLOCK | B-D 9-10 |
| GLOVE BOX LT SW | C 19 |
| HAZARD SW | C 16 |
| HEADLT SW | A 16 |
| HORN RELAY | B 16 |
| HORN SW | C 1 |
| IGNITION COIL | C 7 |
| IGNITION RELAYS | A 9-10 |
| IGNITION SW | A 11 |
| ILLUM CTRL SW | B 19 |
| INHIBITOR RELAY | D 13 |
| INHIBITOR SW | A-B 12 |
| INSTRUMENT CLUSTERS | A-E 23 |
| INTERIOR LTS | E 28-29 |
| INTERLOCK RELAY | B 10 |
| KEY SW | D 1 |
| LEFT RETRACT MOTOR | E 4 |
| NEUTRAL SW | A 20 |
| OIL PRES SW | C 12 |
| OVERDRIVE IND | C 12 |
| OVERDRIVE SW | C 12 |
| PARK BRAKE SW | E 20 |
| POWER MIRROR SW | C 24 |
| POWER WINDOW MAIN SW | C 27 |
| PUSH CTRL UNIT | D-E 18 |
| REAR WINDOW DEFOGGER RELAY | E 28 |
| REAR WINDOW DEFOGGER SW | D-E 29 |
| REAR WIPER/WASHER SYSTEM | B-C 28-29 |
| RELAY BOX (PARTIAL) | B-C 3 |
| RESISTOR | B 7 |
| RETRACT RELAYS #1-#2-#3-#4 | D-E 3 |
| RETRACT SW | A-B 1 |
| RIGHT RETRACT MOTOR | A-B 1 |
| SHIFT LOCK CTRL UNIT | D-E 12 |
| SPEED SENS | A 20 |
| STARTER MOTOR | A 3 |
| STOP LT SW | B 28 |
| SUNROOF SYSTEM | D 28-29 |
| TEMP SENS | D-E 7 |
| THROTTLE POSITION SENS | E 7 |
| THROTTLE VALVE SW | D 21 |
| WASHER FLUID LEVEL SW | E 9 |
| WASHER MOTOR | D-E 11 |
| WIPER AMP | E 8 |
| WIPER/WASHER SW | E 8 |

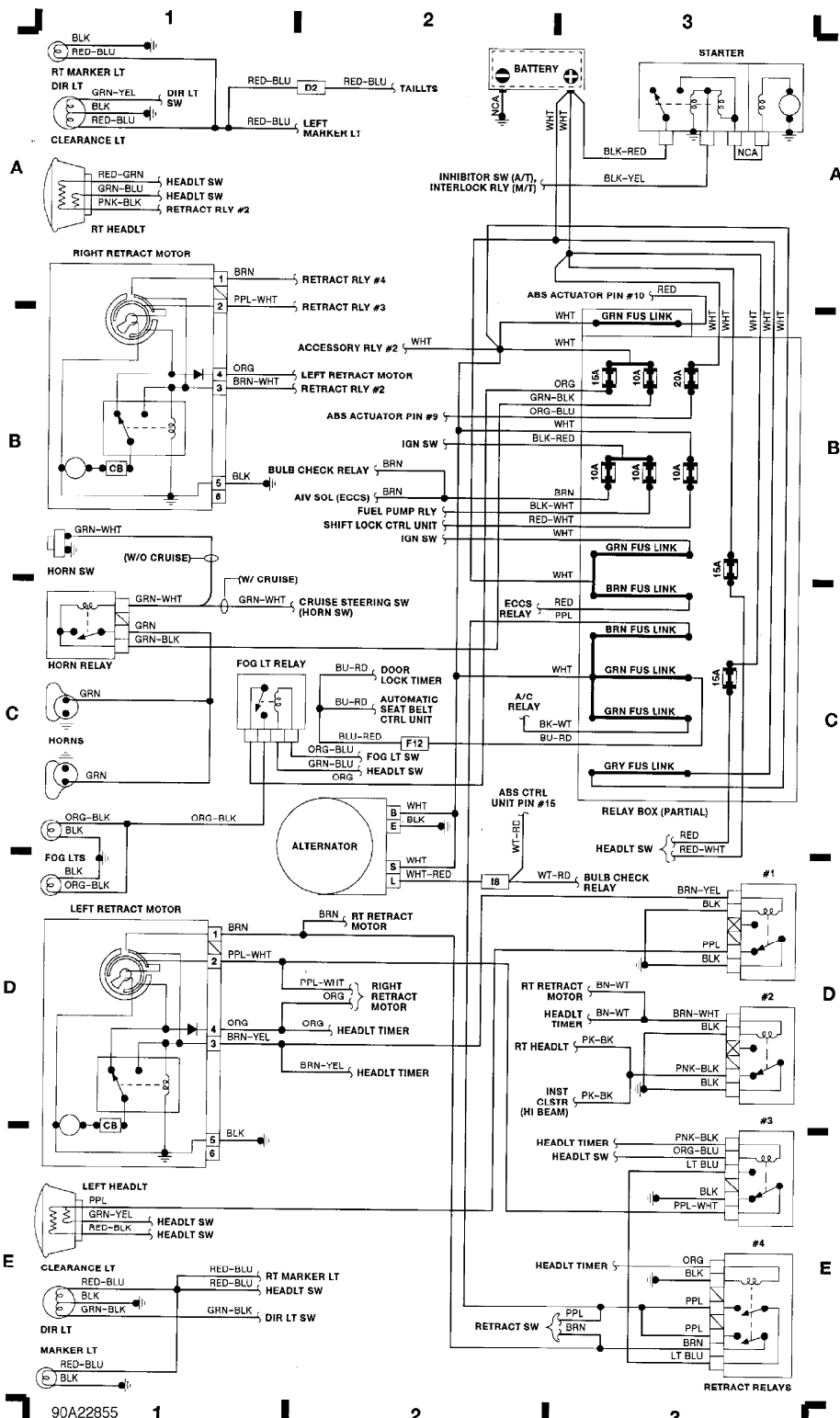


Fig. 1: Engine Compartment & Headlights (Grids 1-3)

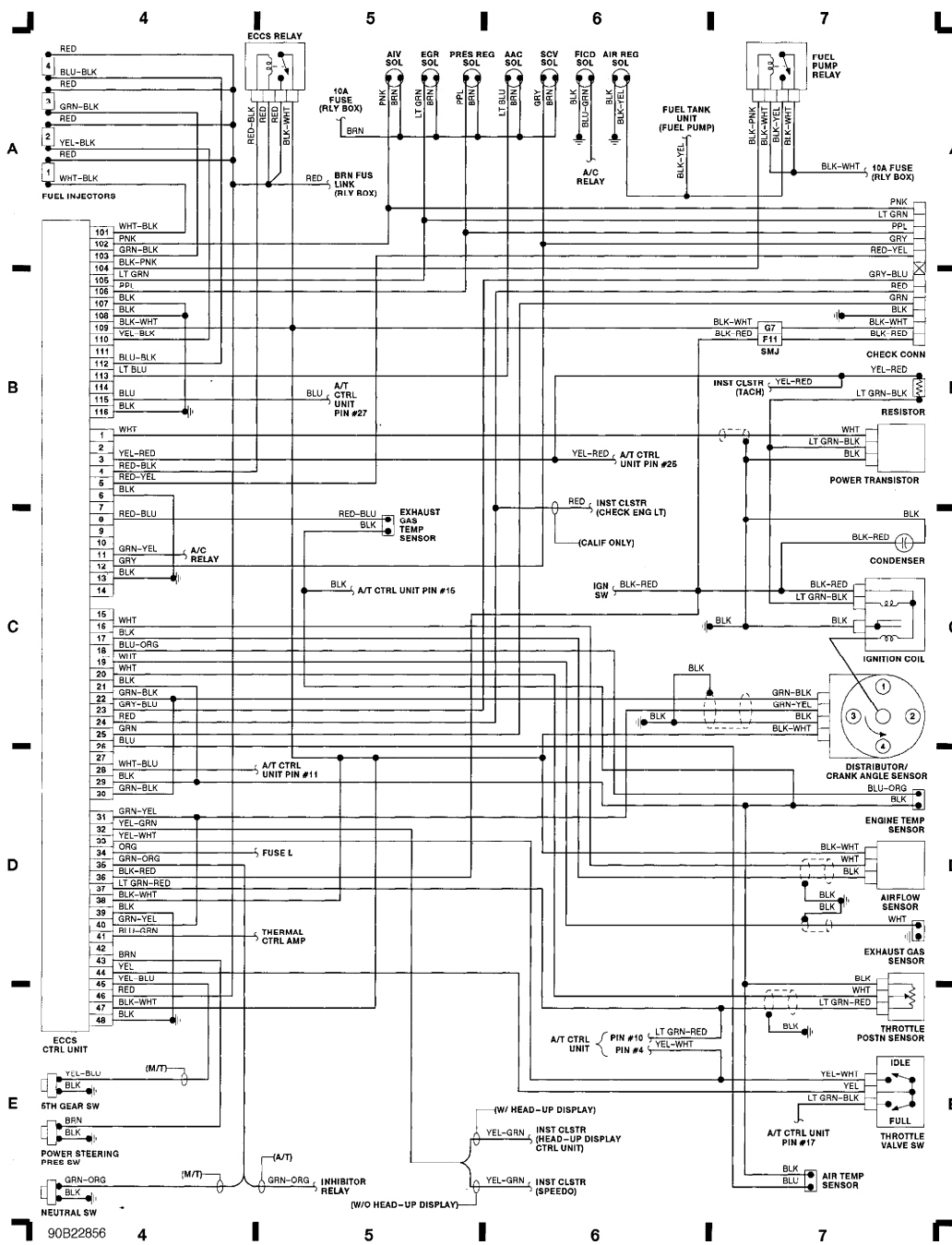


Fig. 2: Computer Engine Control (Grids 4-7)

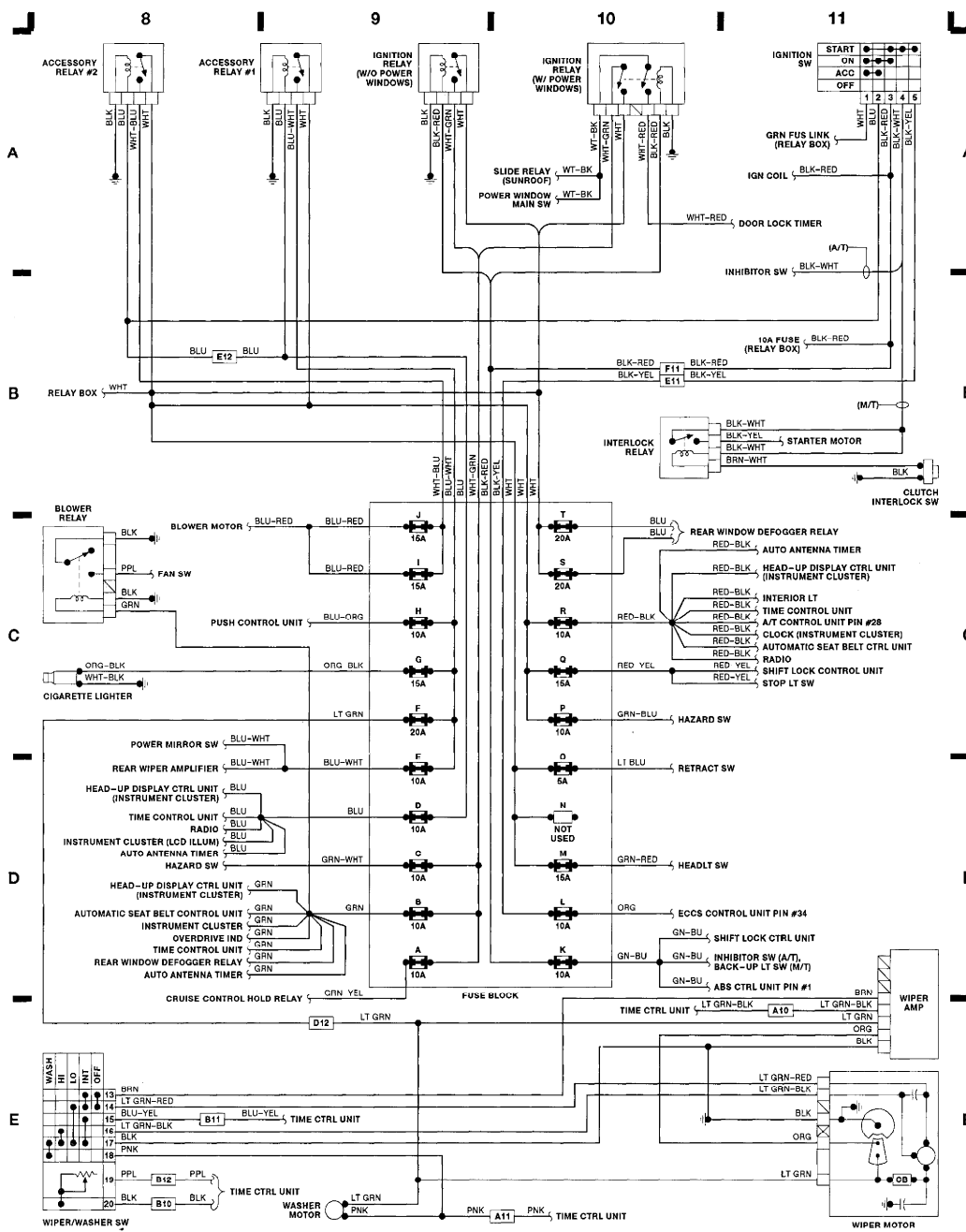
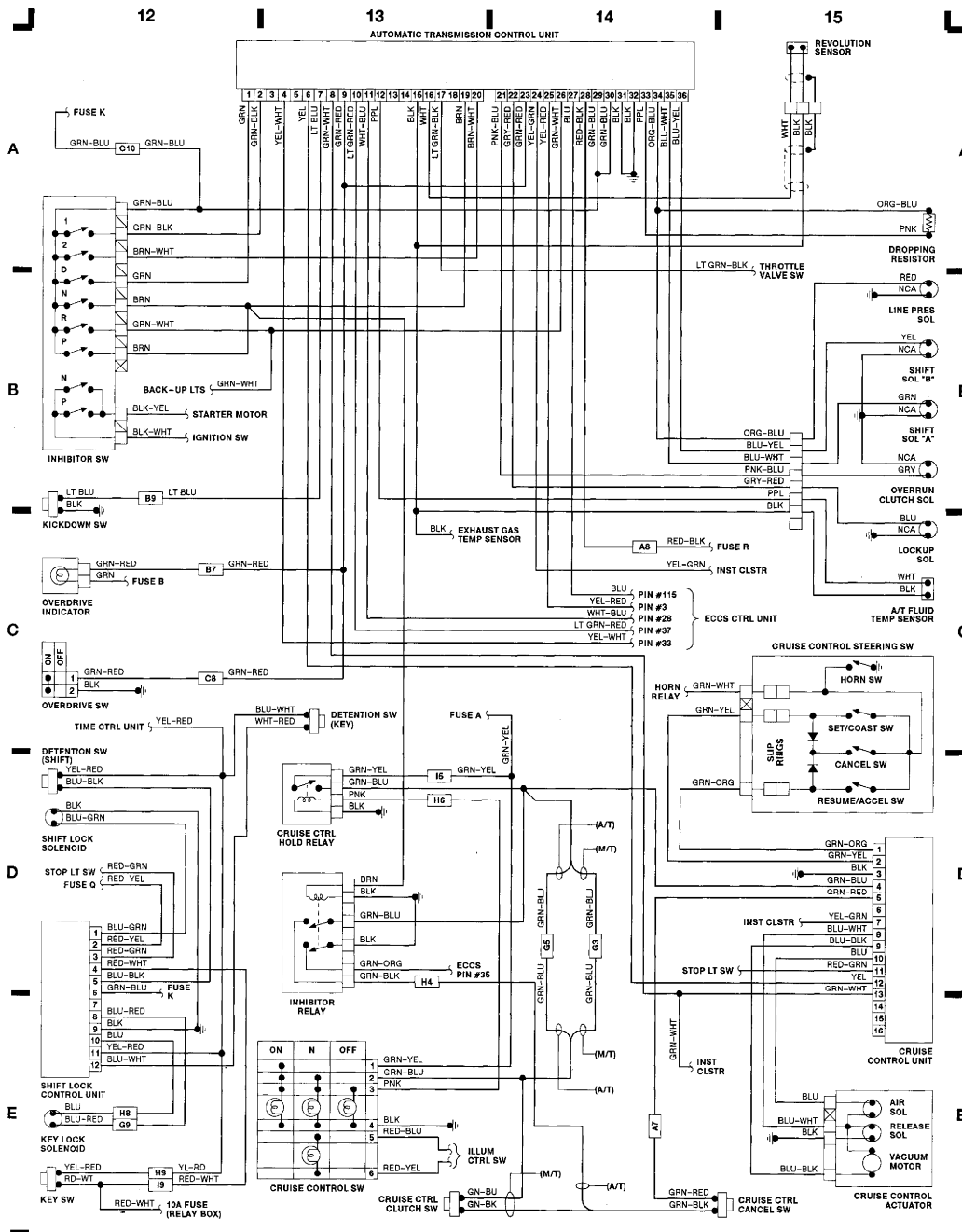
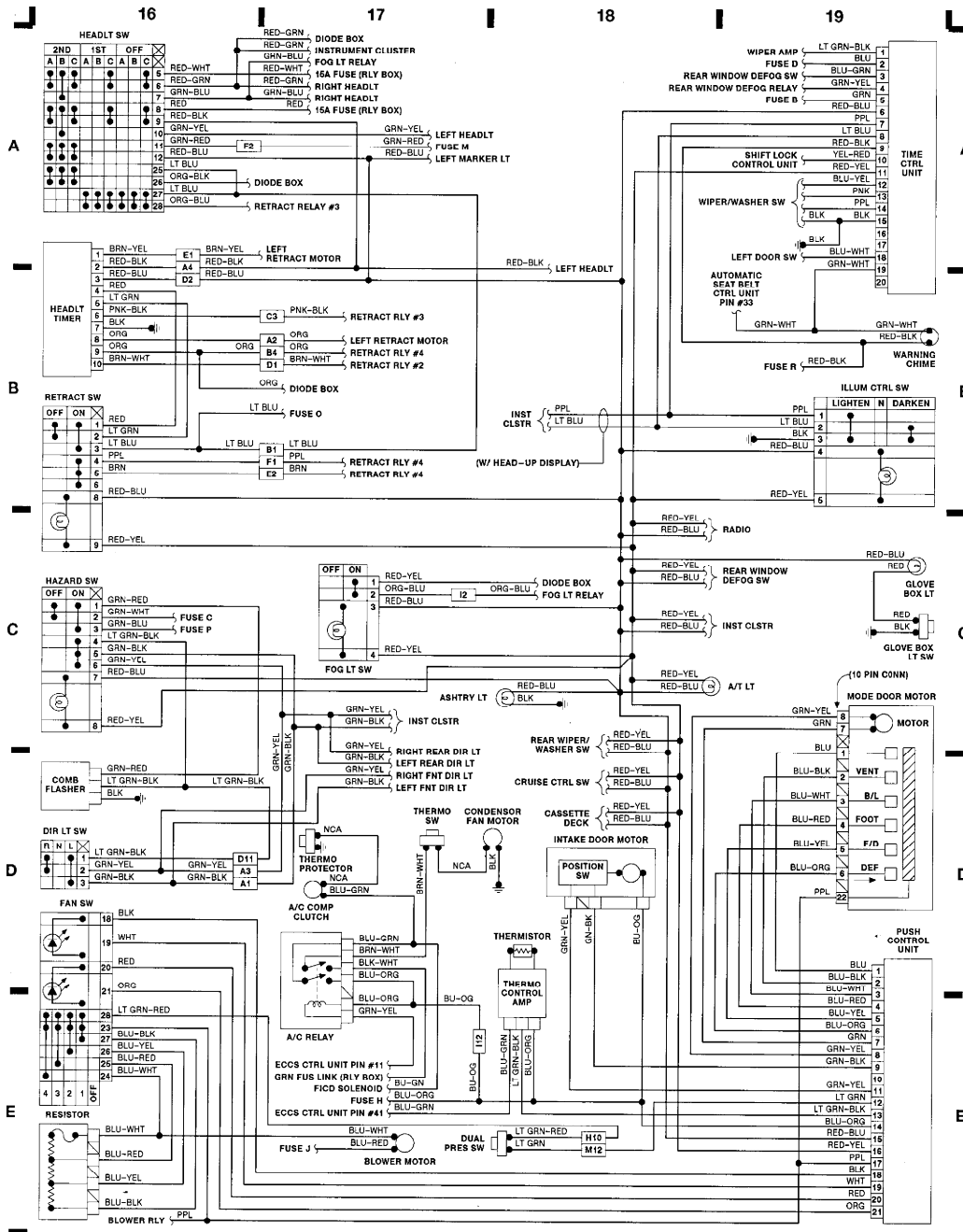


Fig. 3: Fuse Block (Grids 8-11)



90D22858 12 13 14 15
 Fig. 4: Elect A/T Control, Cruise Control (Grids 12-15)



90E22859 16 17 18 19
 Fig. 5: A/C & Heater, Steering Column (Grids 16-19)

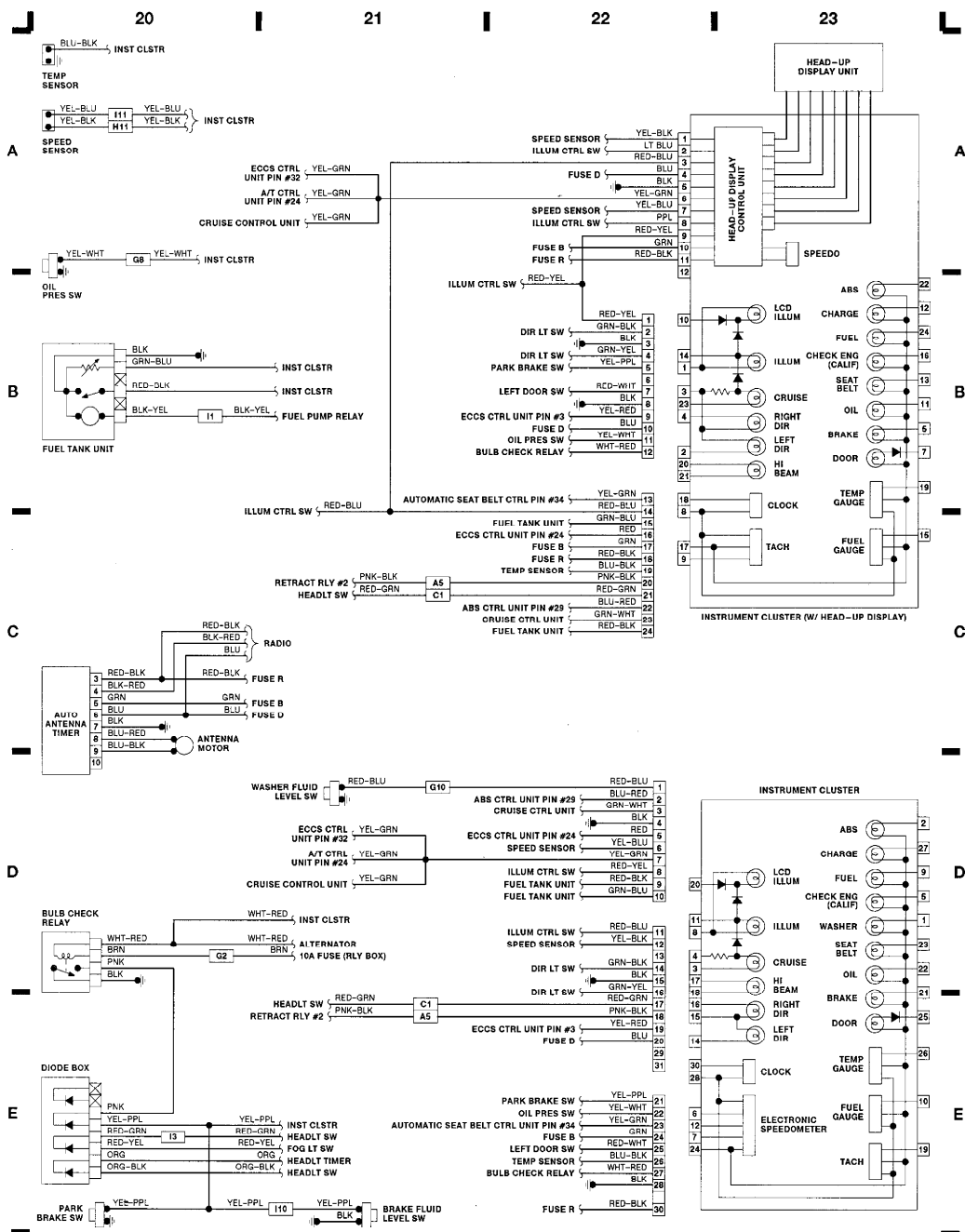


Fig. 6: Instrument Panel (Grids 20-23)

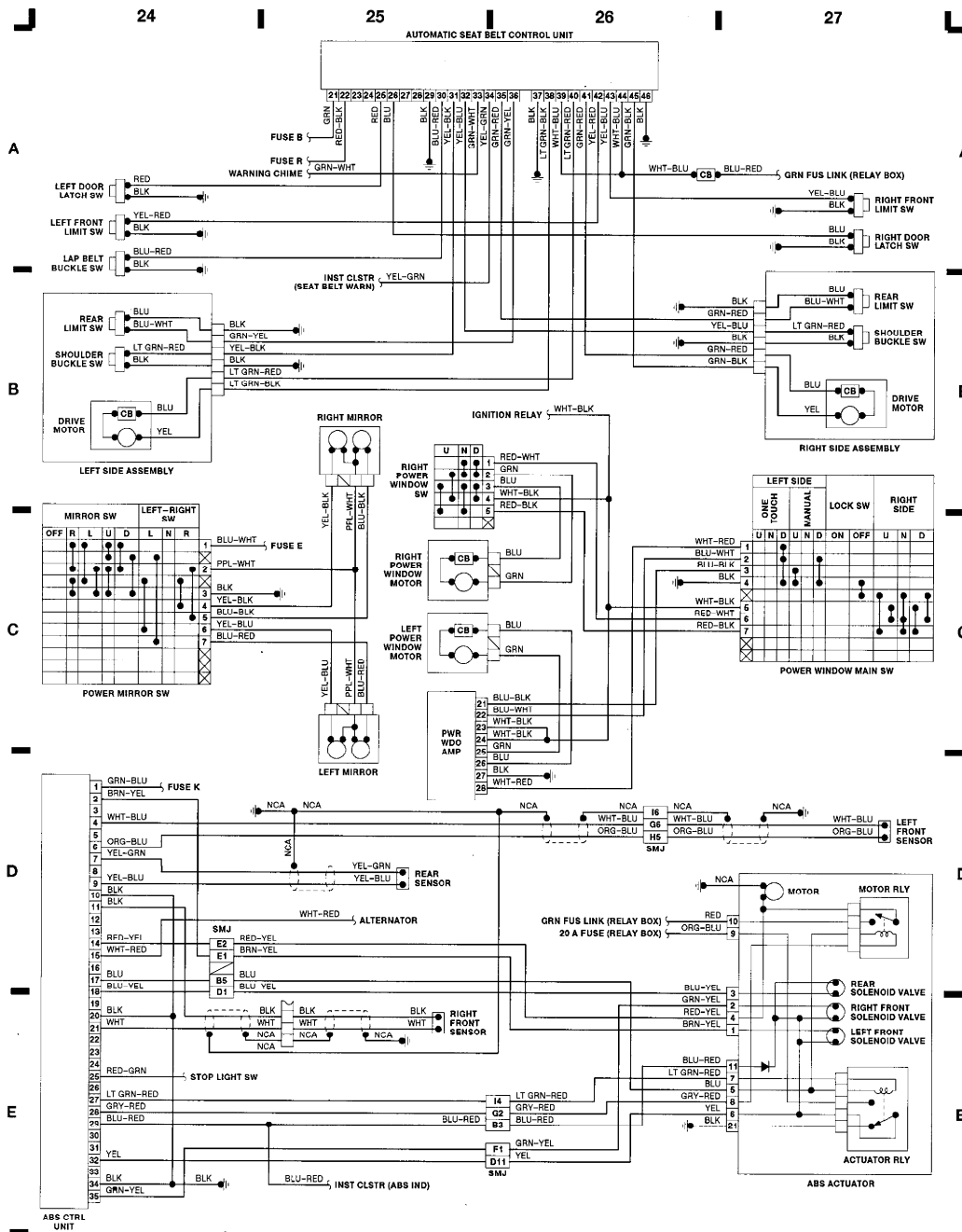


Fig. 7: ABS, Auto Seat Belts System (Grids 24-27)

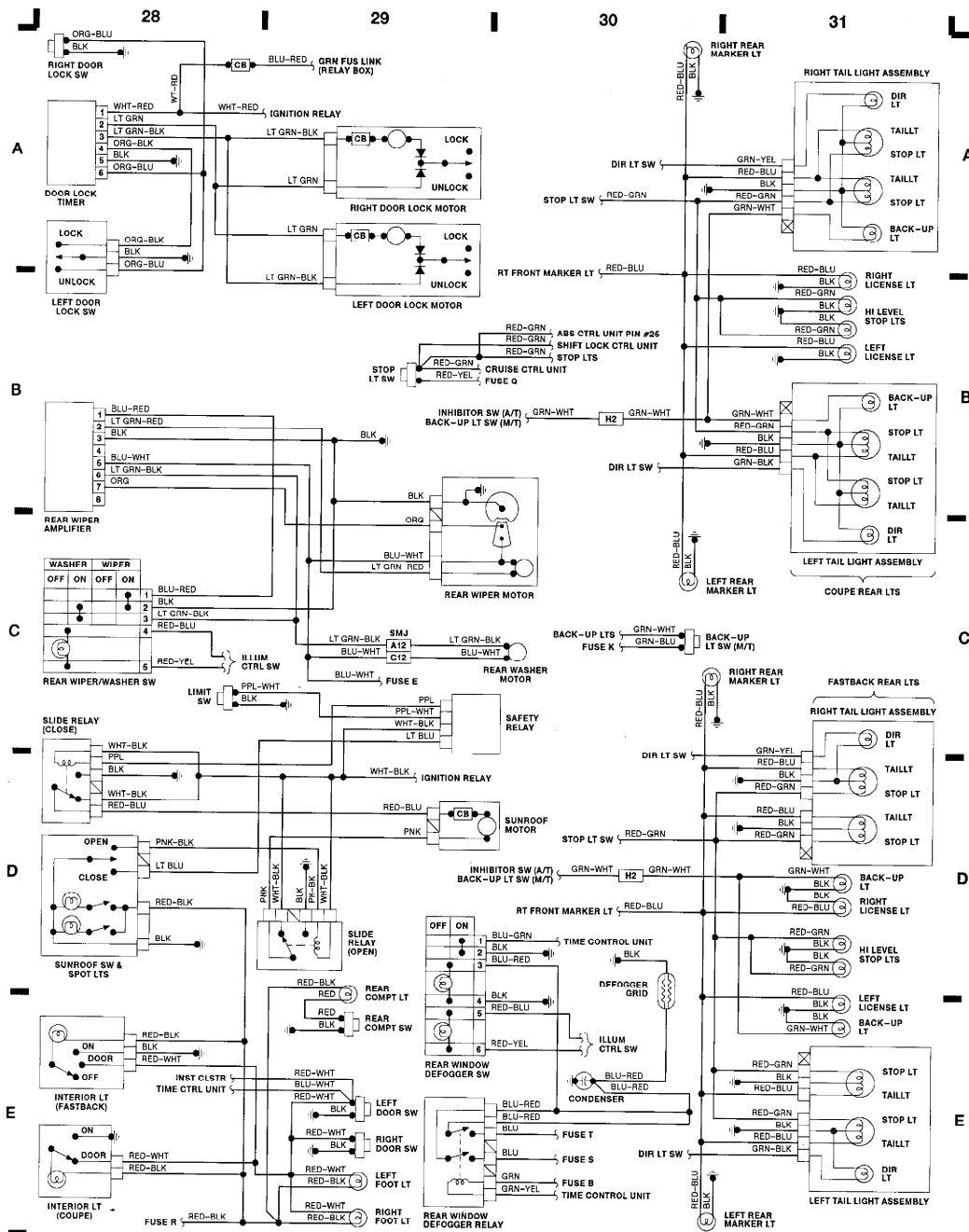


Fig. 8: Rear Wiper/Washer, Sunroof, Taillights (Grids 28-31)