

SECTION **EX** EXHAUST SYSTEM

CONTENTS

<b>PREPARATION</b> .....	<b>2</b>	Checking Exhaust System .....	<b>3</b>
Commercial Service Tools .....	2	Removal and Installation .....	3
<b>EXHAUST SYSTEM</b> .....	<b>3</b>	VQ35DE .....	3
		VK45DE .....	4
		REMOVAL .....	4
		INSTALLATION .....	4
		INSPECTION AFTER INSTALLATION .....	5

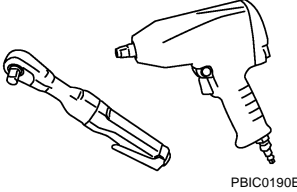
# PREPARATION

## PREPARATION

PFP:00002

### Commercial Service Tools

ABS005Z4

Tool name	Description
Power tool  PBIC0190E	Loosening nuts and bolts

# EXHAUST SYSTEM

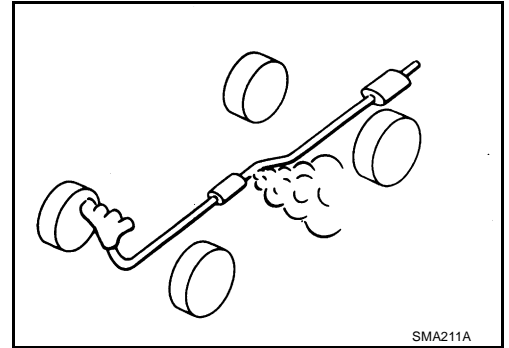
## EXHAUST SYSTEM

PPF:20100

### Checking Exhaust System

ABS005Z5

Check exhaust pipes, muffler and mounting for improper attachment, leaks, cracks, damage or deterioration.



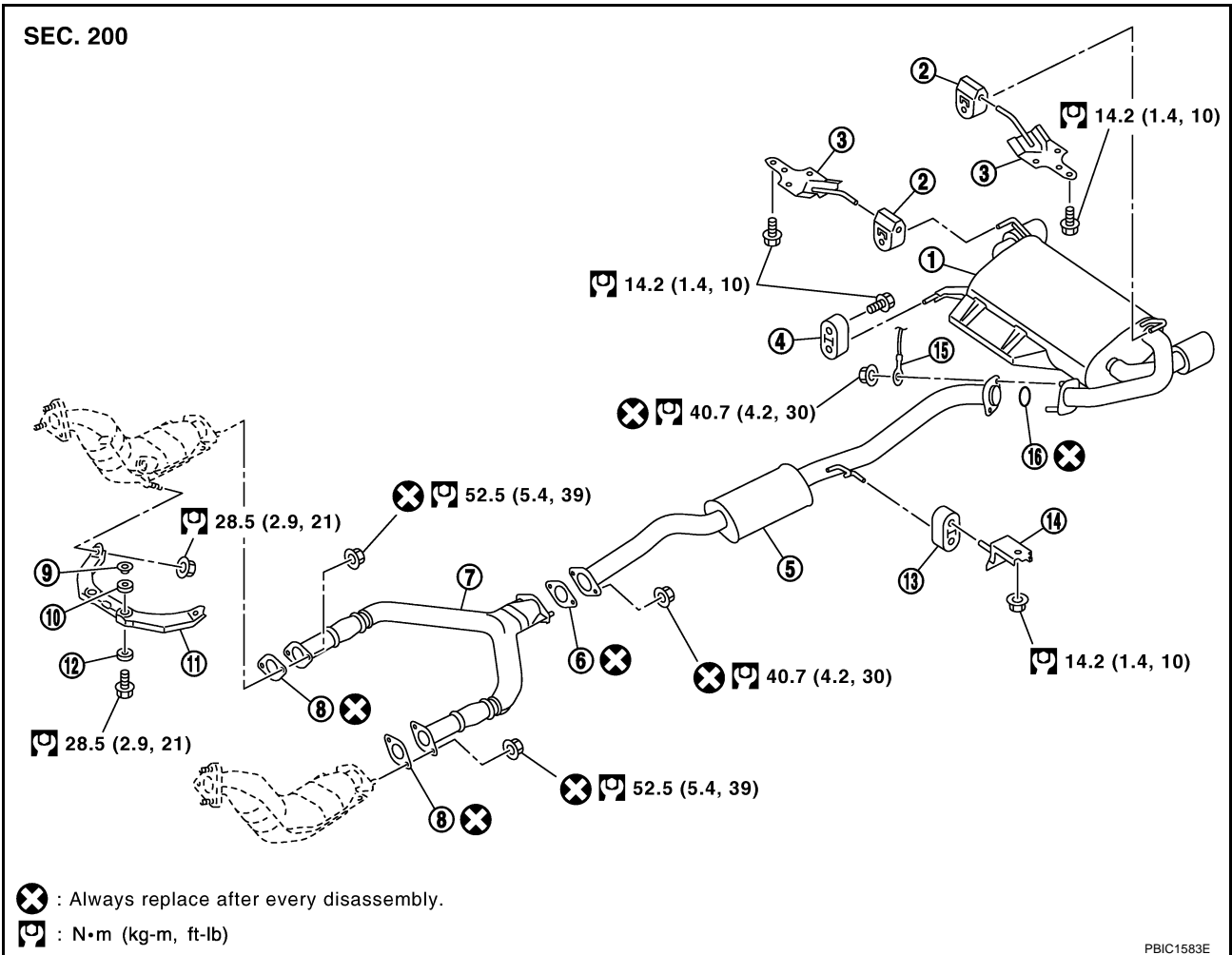
### Removal and Installation

ABS005Z6

#### CAUTION:

- Be sure to use genuine exhaust system parts or equivalents which are specially designed for heat resistance, corrosion resistance, and shape.
- Perform the operation with the exhaust system fully cooled down because the system will be hot just after the engine stops.
- Be careful not to cut your hand on the heat insulator edge.

#### VQ35DE



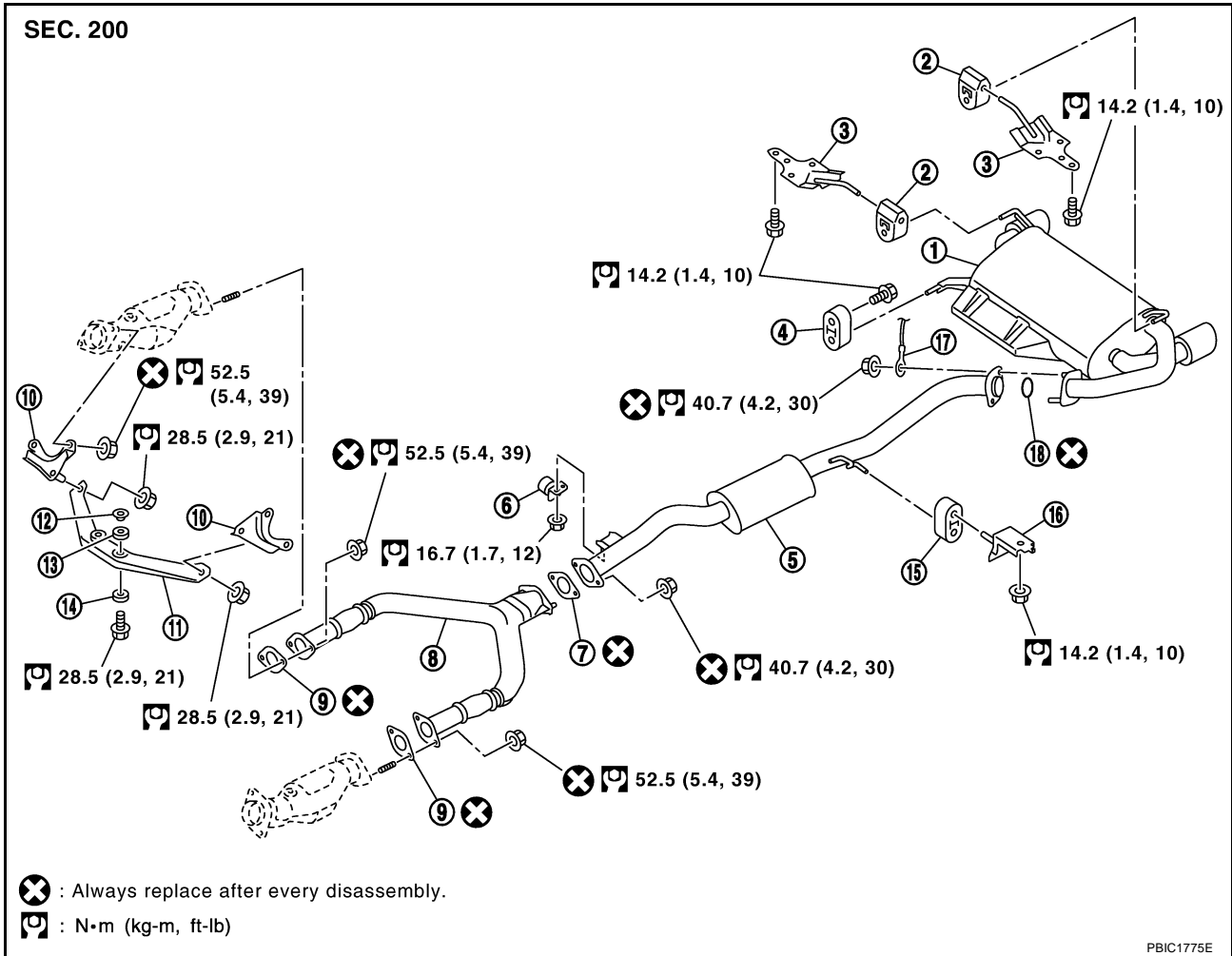
PBIC1583E

- |                    |                    |                                  |
|--------------------|--------------------|----------------------------------|
| 1. Main muffler    | 2. Mounting rubber | 3. Main muffler mounting bracket |
| 4. Mounting rubber | 5. Center muffler  | 6. Gasket                        |

# EXHAUST SYSTEM

- |                       |                      |                  |
|-----------------------|----------------------|------------------|
| 7. Exhaust front tube | 8. Gasket            | 9. Collar        |
| 10. Grommet           | 11. Mounting bracket | 12. Grommet      |
| 13. Mounting rubber   | 14. Bracket          | 15. Ground cable |
| 16. Ring gasket       |                      |                  |

## VK45DE



- |                      |                       |                                  |
|----------------------|-----------------------|----------------------------------|
| 1. Main muffler      | 2. Mounting rubber    | 3. Main muffler mounting bracket |
| 4. Mounting rubber   | 5. Center muffler     | 6. Dynamic damper                |
| 7. Gasket            | 8. Exhaust front tube | 9. Gasket                        |
| 10. Mounting bracket | 11. Mounting bracket  | 12. Collar                       |
| 13. Grommet          | 14. Grommet           | 15. Mounting rubber              |
| 16. Bracket          | 17. Ground cable      | 18. Ring gasket                  |

## REMOVAL

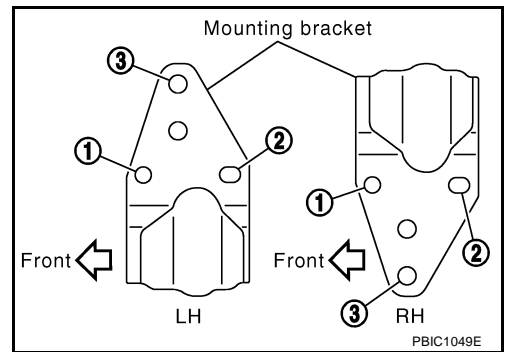
- Disconnect each joint and mounting using power tool.
- When removing main muffler, remove main muffler mounting bracket bolts.
- Remove mounting bracket in steps order below.
  1. Remove engine rear undercover.
  2. Remove front cross bar. [FSU-6, "FRONT SUSPENSION ASSEMBLY"](#).
  3. Remove mounting bracket.

## INSTALLATION

Install in the reverse order of removal paying attention to the following.

# EXHAUST SYSTEM

- Tighten main muffler mounting bracket bolts in numerical order shown in the figure.



## CAUTION:

- Always replace exhaust tube gaskets with new ones when reassembling.
- If the heat insulator is badly deformed, repair or replace it. If deposits such as mud pile up on the heat insulator, remove them.
- When installing the heat insulator avoid large gaps or interference between the heat insulator and each exhaust pipe.
- Remove deposits from the sealing surface of each connection. Connect them securely to avoid gas leakage.
- Temporarily tighten mounting nuts on the exhaust manifold side and mounting bolts on the vehicle side. Check each part for unusual interference, and then tighten them to the specified torque.
- When installing each mounting rubber, avoid twisting or unusual extension in up/down and right/left directions.

## INSPECTION AFTER INSTALLATION

Install in the reverse order of removal paying attention to the followings.

- Check clearance between tail tube and bumper is even.
- With the engine running, check exhaust tube joints for gas leakage and unusual noises.
- Check to ensure that mounting brackets and mounting rubbers are installed properly and free from undue stress. Improper installation could result in excessive noise and vibration.

# EXHAUST SYSTEM

---