

SECTION **SE**  
SEAT

A  
B  
C  
D  
E  
F  
G  
H  
SE  
J  
K  
L  
M  
N  
O  
P

CONTENTS

<b>SERVICE INFORMATION</b> .....	3	Check Reclining Motor Circuit .....	45
<b>DTC INDEX</b> .....	3	Check Front Lifting Motor Circuit .....	46
U1000 .....	3	Check Rear Lifting Motor Circuit .....	47
B2112-B2128 .....	3	Check Telescopic Motor Circuit .....	48
<b>PRECAUTIONS</b> .....	4	Check Tilt Motor Circuit .....	49
Precaution for Supplemental Restraint System (SRS) "AIR BAG" and "SEAT BELT PRE-TENSIONER" .....	4	Check Driver Side Mirror Motor Circuit .....	50
Service Notice .....	4	Check Passenger Side Mirror Motor Circuit .....	52
<b>PREPARATION</b> .....	5	Check Sliding Sensor Circuit .....	53
Special Service Tool .....	5	Check Reclining Sensor Circuit .....	54
Commercial Service Tool .....	5	Check Front Lifting Sensor Circuit .....	55
<b>SQUEAK AND RATTLE TROUBLE DIAGNOSES</b> .....	6	Check Rear Lifting Sensor Circuit .....	56
Work Flow .....	6	Check Telescopic Sensor Circuit .....	57
Generic Squeak and Rattle Troubleshooting .....	8	Check Tilt Sensor Circuit .....	58
Diagnostic Worksheet .....	10	Check Driver Side Mirror Sensor Circuit .....	59
<b>AUTOMATIC DRIVE POSITIONER</b> .....	12	Check Passenger Side Mirror Sensor Circuit .....	60
System Description .....	12	Check Steering and Door Mirror Sensor Power Supply and Ground Circuit .....	61
Component Parts and Harness Connector Location .....	16	Check Front Door Switch (Driver Side) Circuit .....	62
CAN Communication System Description .....	17	Check Sliding Switch Circuit .....	63
CAN Communication Unit .....	17	Check Reclining Switch Circuit .....	64
Schematic .....	18	Check Front Lifting Switch Circuit .....	66
Wiring Diagram - AUT/DP - .....	20	Check Rear Lifting Switch Circuit .....	67
Terminal and Reference Value for BCM .....	32	Check Power Seat Switch Ground Circuit .....	68
Terminal and Reference Value for Automatic Drive Positioner Control Unit .....	32	Check Telescopic Switch Circuit .....	68
Terminal and Reference Value for Driver Seat Control Unit .....	34	Check Tilt Switch Circuit .....	70
Work Flow .....	37	Check Door Mirror Remote Control Switch (Changeover Switch) Circuit .....	71
Preliminary Check .....	37	Check Door Mirror Remote Control Switch (Mirror Switch) Circuit .....	73
CONSULT-III Function (AUTO DRIVE POS.) .....	40	Check A/T Device (Park Position Switch) Circuit .....	74
Check CAN Communication System .....	42	Check Key Switch Circuit (With Intelligent Key) .....	76
Symptom Chart .....	43	Check Key Switch Circuit (Without Intelligent Key) .....	77
Check Sliding Motor Circuit .....	44	Check Seat Memory Switch Circuit .....	78
		Check Seat Memory Indicator Lamp Circuit .....	79
		Check UART Communication Line Circuit .....	80
		Check Lumbar Support Circuit .....	82
		<b>POWER SEAT</b> .....	84
		Wiring Diagram - SEAT - .....	84
		<b>HEATED SEAT</b> .....	86

---

Description .....	86	Removal and Installation .....	89
Wiring Diagram - HSEAT - .....	87	<b>REAR SEAT .....</b>	<b>95</b>
<b>FRONT SEAT .....</b>	<b>89</b>	Removal and Installation .....	95

# DTC INDEX

< SERVICE INFORMATION >

## SERVICE INFORMATION

### DTC INDEX

U1000

INFOID:000000001529390

CONSULT display	DTC detection condition	Reference page
U1000: CAN COMM CIRCUIT	When driver seat control unit is not transmitting or receiving CAN communication signal for 2 seconds or more.	<a href="#">SE-42, "Check CAN Communication System"</a>

B2112-B2128

INFOID:000000001529391

CONSULT display	DTC detection condition	Reference page
B2112: SEAT SLIDE	When any manual and automatic operations are not performed, if any motor operations of seat slide is detected for 0.1 second or more, status is judged "Output error".	<a href="#">SE-44, "Check Sliding Motor Circuit"</a> <a href="#">SE-53, "Check Sliding Sensor Circuit"</a>
B2113: SEAT RECLINING	When any manual and automatic operations are not performed, if any motor operations of seat reclining is detected for 0.1 second or more, status is judged "Output error".	<a href="#">SE-45, "Check Reclining Motor Circuit"</a> <a href="#">SE-54, "Check Reclining Sensor Circuit"</a>
B2114: SEAT LIFTER FR	When any manual and automatic operations are not performed, if any motor operations of seat lifting FR is detected for 0.1 second or more, status is judged "Output error".	<a href="#">SE-46, "Check Front Lifting Motor Circuit"</a> <a href="#">SE-55, "Check Front Lifting Sensor Circuit"</a>
B2115: SEAT LIFTER RR	When any manual and automatic operations are not performed, if any motor operations of seat lifting RR is detected for 0.1 second or more, status is judged "Output error".	<a href="#">SE-47, "Check Rear Lifting Motor Circuit"</a> <a href="#">SE-56, "Check Rear Lifting Sensor Circuit"</a>
B2116: TILT OUTPUT	When any manual and automatic operations are not performed, if any motor operations of steering tilt is detected for 0.1 second or more, status is judged "Output error".	<a href="#">SE-49, "Check Tilt Motor Circuit"</a> <a href="#">SE-58, "Check Tilt Sensor Circuit"</a>
B2118: TILT SENSOR	When driver seat control unit detects 0.1V or lower, or 4.9V or higher, from tilt sensor for 0.5 seconds or more.	<a href="#">SE-58, "Check Tilt Sensor Circuit"</a>
B2119: TELESCO SENSOR	When driver seat control unit detects 0.1V or lower, or 4.9V or higher, from telescopic sensor for 0.5 seconds or more.	<a href="#">SE-57, "Check Telescopic Sensor Circuit"</a>
B2125: P RANGE SW	With the A/T selector lever in P position (P range switch ON), if the vehicle speed of 7 km/h (4 MPH) or higher was input the detention switch input system is judged malfunctioning.	<a href="#">SE-74, "Check A/T Device (Park Position Switch) Circuit"</a>
B2128: UART COMM	Malfunction is detected in UART communication.	<a href="#">SE-80, "Check UART Communication Line Circuit"</a>

# PRECAUTIONS

< SERVICE INFORMATION >

## PRECAUTIONS

### Precaution for Supplemental Restraint System (SRS) "AIR BAG" and "SEAT BELT PRE-TENSIONER"

INFOID:000000001612906

The Supplemental Restraint System such as "AIR BAG" and "SEAT BELT PRE-TENSIONER", used along with a front seat belt, helps to reduce the risk or severity of injury to the driver and front passenger for certain types of collision. This system includes seat belt switch inputs and dual stage front air bag modules. The SRS system uses the seat belt switches to determine the front air bag deployment, and may only deploy one front air bag, depending on the severity of a collision and whether the front occupants are belted or unbelted. Information necessary to service the system safely is included in the "SUPPLEMENTAL RESTRAINT SYSTEM" and "SEAT BELTS" of this Service Manual.

#### **WARNING:**

- **To avoid rendering the SRS inoperative, which could increase the risk of personal injury or death in the event of a collision which would result in air bag inflation, all maintenance must be performed by an authorized NISSAN/INFINITI dealer.**
- **Improper maintenance, including incorrect removal and installation of the SRS, can lead to personal injury caused by unintentional activation of the system. For removal of Spiral Cable and Air Bag Module, see the "SUPPLEMENTAL RESTRAINT SYSTEM".**
- **Do not use electrical test equipment on any circuit related to the SRS unless instructed to in this Service Manual. SRS wiring harnesses can be identified by yellow and/or orange harnesses or harness connectors.**

#### Service Notice

INFOID:000000001328091

- When removing or installing various parts, place a cloth or padding onto the vehicle body to prevent scratches.
- Handle trim, molding, instruments, grille, etc. carefully during removing or installing. Be careful not to oil or damage them.
- Apply sealing compound where necessary when installing parts.
- When applying sealing compound, be careful that the sealing compound does not protrude from parts.
- When replacing any metal parts (for example body outer panel, members, etc.), be sure to take rust prevention measures.

# PREPARATION

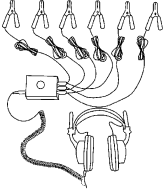
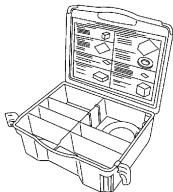
< SERVICE INFORMATION >

## PREPARATION

### Special Service Tool

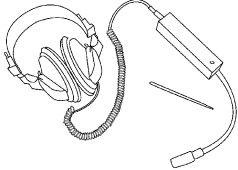
INFOID:000000001328092

The actual shapes of Kent-Moore tools may differ from those of special service tools illustrated here.

Tool number (Kent-Moore No.) Tool name	Description
<p>(J39570) Chassis ear</p>  <p style="text-align: right; font-size: small;">SIIA0993E</p>	<p>Location the noise</p>
<p>(J43980) NISSAN Squeak and Rattle Kit</p>  <p style="text-align: right; font-size: small;">SIIA0994E</p>	<p>Repairing the cause of the noise</p>

### Commercial Service Tool

INFOID:000000001328093

Tool name	Description
<p>Engine ear</p>  <p style="text-align: right; font-size: small;">SIIA0995E</p>	<p>Location the noise</p>

A  
B  
C  
D  
E  
F  
G  
H  
SE  
J  
K  
L  
M  
N  
O  
P

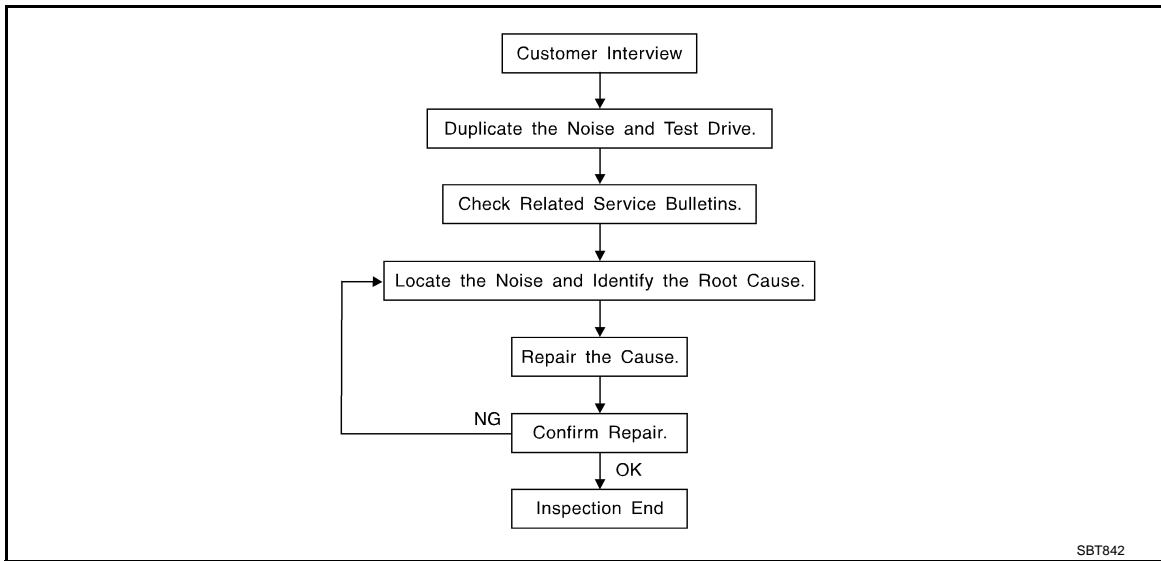
# SQUEAK AND RATTLE TROUBLE DIAGNOSES

< SERVICE INFORMATION >

## SQUEAK AND RATTLE TROUBLE DIAGNOSES

### Work Flow

INFOID:000000001328094



### CUSTOMER INTERVIEW

Interview the customer if possible, to determine the conditions that exist when the noise occurs. Use the Diagnostic Worksheet during the interview to document the facts and conditions when the noise occurs and any customer's comments; refer to [SE-10, "Diagnostic Worksheet"](#). This information is necessary to duplicate the conditions that exist when the noise occurs.

- The customer may not be able to provide a detailed description or the location of the noise. Attempt to obtain all the facts and conditions that exist when the noise occurs (or does not occur).
- If there is more than one noise in the vehicle, be sure to diagnose and repair the noise that the customer is concerned about. This can be accomplished by test driving the vehicle with the customer.
- After identifying the type of noise, isolate the noise in terms of its characteristics. The noise characteristics are provided so the customer, service adviser and technician are all speaking the same language when defining the noise.
- Squeak —(Like tennis shoes on a clean floor)  
Squeak characteristics include the light contact/fast movement/brought on by road conditions/hard surfaces=higher pitch noise/softer surfaces=lower pitch noises/edge to surface=chirping
- Creak—(Like walking on an old wooden floor)  
Creak characteristics include firm contact/slow movement/twisting with a rotational movement/pitch dependent on materials/often brought on by activity.
- Rattle—(Like shaking a baby rattle)  
Rattle characteristics include the fast repeated contact/vibration or similar movement/loose parts/missing clip or fastener/incorrect clearance.
- Knock —(Like a knock on a door)  
Knock characteristics include hollow sounding/sometimes repeating/often brought on by driver action.
- Tick—(Like a clock second hand)  
Tick characteristics include gentle contacting of light materials/loose components/can be caused by driver action or road conditions.
- Thump—(Heavy, muffled knock noise)  
Thump characteristics include softer knock/dead sound often brought on by activity.
- Buzz—(Like a bumble bee)  
Buzz characteristics include high frequency rattle/firm contact.
- Often the degree of acceptable noise level will vary depending upon the person. A noise that you may judge as acceptable may be very irritating to the customer.
- Weather conditions, especially humidity and temperature, may have a great effect on noise level.

### DUPLICATE THE NOISE AND TEST DRIVE

If possible, drive the vehicle with the customer until the noise is duplicated. Note any additional information on the Diagnostic Worksheet regarding the conditions or location of the noise. This information can be used to duplicate the same conditions when you confirm the repair.

# SQUEAK AND RATTLE TROUBLE DIAGNOSES

## < SERVICE INFORMATION >

If the noise can be duplicated easily during the test drive, to help identify the source of the noise, try to duplicate the noise with the vehicle stopped by doing one or all of the following:

- 1) Close a door.
  - 2) Tap or push/pull around the area where the noise appears to be coming from.
  - 3) Rev the engine.
  - 4) Use a floor jack to recreate vehicle "twist".
  - 5) At idle, apply engine load (electrical load, half-clutch on M/T model, drive position on A/T model).
  - 6) Raise the vehicle on a hoist and hit a tire with a rubber hammer.
- Drive the vehicle and attempt to duplicate the conditions the customer states exist when the noise occurs.
  - If it is difficult to duplicate the noise, drive the vehicle slowly on an undulating or rough road to stress the vehicle body.

## CHECK RELATED SERVICE BULLETINS

After verifying the customer concern or symptom, check ASIST for Technical Service Bulletins (TSBs) related to that concern or symptom.

If a TSB relates to the symptom, follow the procedure to repair the noise.

## LOCATE THE NOISE AND IDENTIFY THE ROOT CAUSE

1. Narrow down the noise to a general area. To help pinpoint the source of the noise, use a listening tool (Chassis Ear: J-39570, Engine Ear and mechanics stethoscope).
2. Narrow down the noise to a more specific area and identify the cause of the noise by:
  - removing the components in the area that you suspect the noise is coming from.  
Do not use too much force when removing clips and fasteners, otherwise clips and fastener can be broken or lost during the repair, resulting in the creation of new noise.
  - tapping or pushing/pulling the component that you suspect is causing the noise.  
Do not tap or push/pull the component with excessive force, otherwise the noise will be eliminated only temporarily.
  - feeling for a vibration with your hand by touching the component(s) that you suspect is (are) causing the noise.
  - placing a piece of paper between components that you suspect are causing the noise.
  - looking for loose components and contact marks.  
Refer to [SE-8. "Generic Squeak and Rattle Troubleshooting"](#).

## REPAIR THE CAUSE

- If the cause is a loose component, tighten the component securely.
- If the cause is insufficient clearance between components:
  - separate components by repositioning or loosening and retightening the component, if possible.
  - insulate components with a suitable insulator such as urethane pads, foam blocks, felt cloth tape or urethane tape. A Nissan Squeak and Rattle Kit (J-43980) is available through your authorized Nissan Parts Department.

### **CAUTION:**

**Do not use excessive force as many components are constructed of plastic and may be damaged.**

### **NOTE:**

Always check with the Parts Department for the latest parts information.

The following materials are contained in the Nissan Squeak and Rattle Kit (J-43980). Each item can be ordered separately as needed.

URETHANE PADS [1.5 mm (0.059 in) thick]

Insulates connectors, harness, etc.

76268-9E005: 100 × 135 mm (3.94 × 5.31 in)/76884-71L01: 60 × 85 mm (2.36 × 3.35 in)/76884-71L02: 15 × 25 mm (0.59 × 0.98 in)

INSULATOR (Foam blocks)

Insulates components from contact. Can be used to fill space behind a panel.

73982-9E000: 45 mm (1.77 in) thick, 50 × 50 mm (1.97 × 1.97 in)/73982-50Y00: 10 mm (0.39 in) thick, 50 × 50 mm (1.97 × 1.97 in)

INSULATOR (Light foam block)

80845-71L00: 30 mm (1.18 in) thick, 30 × 50 mm (1.18 × 1.97 in)

FELT CLOTH TAPE

Used to insulate where movement does not occur. Ideal for instrument panel applications.

68370-4B000: 15 × 25 mm (0.59 × 0.98 in) pad/68239-13E00: 5 mm (0.20 in) wide tape roll The following materials, not found in the kit, can also be used to repair squeaks and rattles.

UHMW(TEFLON) TAPE

# SQUEAK AND RATTLE TROUBLE DIAGNOSES

## < SERVICE INFORMATION >

---

Insulates where slight movement is present. Ideal for instrument panel applications.

### SILICONE GREASE

Used in place of UHMW tape that will be visible or not fit.

Note: Will only last a few months.

### SILICONE SPRAY

Use when grease cannot be applied.

### DUCT TAPE

Use to eliminate movement.

## CONFIRM THE REPAIR

Confirm that the cause of a noise is repaired by test driving the vehicle. Operate the vehicle under the same conditions as when the noise originally occurred. Refer to the notes on the Diagnostic Worksheet.

## Generic Squeak and Rattle Troubleshooting

INFOID:000000001328095

Refer to Table of Contents for specific component removal and installation information.

## INSTRUMENT PANEL

Most incidents are caused by contact and movement between:

1. The cluster lid A and instrument panel
2. Acrylic lens and combination meter housing
3. Instrument panel to front pillar garnish
4. Instrument panel to windshield
5. Instrument panel mounting pins
6. Wiring harnesses behind the combination meter
7. A/C defroster duct and duct joint

These incidents can usually be located by tapping or moving the components to duplicate the noise or by pressing on the components while driving to stop the noise. Most of these incidents can be repaired by applying felt cloth tape or silicon spray (in hard to reach areas). Urethane pads can be used to insulate wiring harness.

### **CAUTION:**

**Do not use silicone spray to isolate a squeak or rattle. If you saturate the area with silicone, you will not be able to recheck the repair.**

## CENTER CONSOLE

Components to pay attention to include:

1. Shifter assembly cover to finisher
2. A/C control unit and cluster lid C
3. Wiring harnesses behind audio and A/C control unit

The instrument panel repair and isolation procedures also apply to the center console.

## DOORS

Pay attention to the:

1. Finisher and inner panel making a slapping noise
2. Inside handle escutcheon to door finisher
3. Wiring harnesses tapping
4. Door striker out of alignment causing a popping noise on starts and stops

Tapping or moving the components or pressing on them while driving to duplicate the conditions can isolate many of these incidents. You can usually insulate the areas with felt cloth tape or insulator foam blocks from the Nissan Squeak and Rattle Kit (J-43980) to repair the noise.

## TRUNK

Trunk noises are often caused by a loose jack or loose items put into the trunk by the owner.

In addition look for:

1. Trunk lid dumpers out of adjustment
2. Trunk lid striker out of adjustment
3. The trunk lid torsion bars knocking together
4. A loose license plate or bracket



# SQUEAK AND RATTLE TROUBLE DIAGNOSES

## < SERVICE INFORMATION >

Most of these incidents can be repaired by adjusting, securing or insulating the item(s) or component(s) causing the noise.

### SUNROOF/HEADLINING

Noises in the sunroof/headlining area can often be traced to one of the following:

1. Sunroof lid, rail, linkage or seals making a rattle or light knocking noise
2. Sun-visor shaft shaking in the holder
3. Front or rear windshield touching headlining and squeaking

Again, pressing on the components to stop the noise while duplicating the conditions can isolate most of these incidents. Repairs usually consist of insulating with felt cloth tape.

### SEATS

When isolating seat noise it's important to note the position the seat is in and the load placed on the seat when the noise is present. These conditions should be duplicated when verifying and isolating the cause of the noise.

Cause of seat noise include:

1. Headrest rods and holder
2. A squeak between the seat pad cushion and frame
3. The rear seatback lock and bracket

These noises can be isolated by moving or pressing on the suspected components while duplicating the conditions under which the noise occurs. Most of these incidents can be repaired by repositioning the component or applying urethane tape to the contact area.

### UNDERHOOD

Some interior noise may be caused by components under the hood or on the engine wall. The noise is then transmitted into the passenger compartment.

Causes of transmitted under-hood noise include:

1. Any component mounted to the engine wall
2. Components that pass through the engine wall
3. Engine wall mounts and connectors
4. Loose radiator mounting pins
5. Hood bumpers out of adjustment
6. Hood striker out of adjustment

These noises can be difficult to isolate since they cannot be reached from the interior of the vehicle. The best method is to secure, move or insulate one component at a time and test drive the vehicle. Also, engine RPM or load can be changed to isolate the noise. Repairs can usually be made by moving, adjusting, securing, or insulating the component causing the noise.

A  
B  
C  
D  
E  
F  
G  
H  
SE  
J  
K  
L  
M  
N  
O  
P

# SQUEAK AND RATTLE TROUBLE DIAGNOSES

< SERVICE INFORMATION >

## Diagnostic Worksheet

INFOID:000000001328096



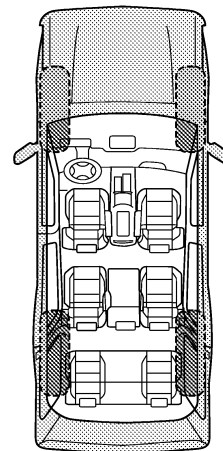
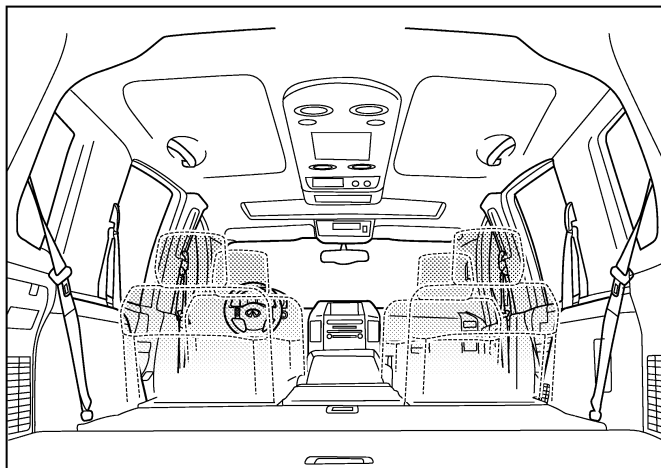
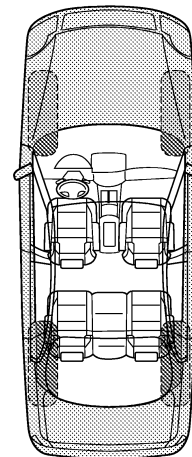
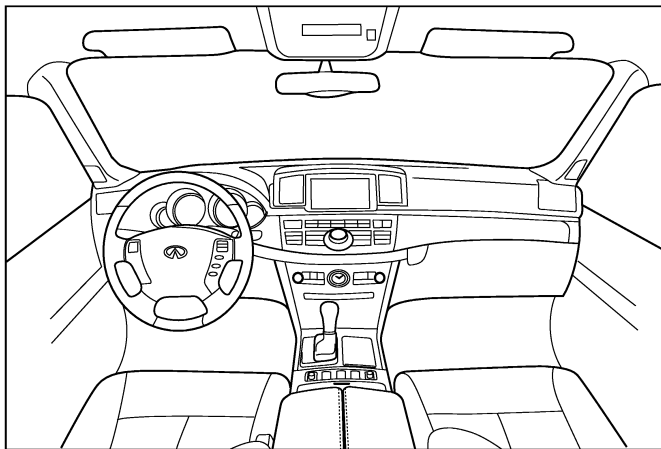
### SQUEAK & RATTLE DIAGNOSTIC WORKSHEET

Dear Infiniti Customer:

We are concerned about your satisfaction with your Infiniti vehicle. Repairing a squeak or rattle sometimes can be very difficult. To help us fix your Infiniti right the first time, please take a moment to note the area of the vehicle where the squeak or rattle occurs and under what conditions. You may be asked to take a test drive with a service consultant or technician to ensure we confirm the noise you are hearing.

#### I. WHERE DOES THE NOISE COME FROM? (circle the area of the vehicle)

The illustrations are for reference only, and may not reflect the actual configuration of your vehicle.



Continue to page 2 of the worksheet and briefly describe the location of the noise or rattle. In addition, please indicate the conditions which are present when the noise occurs.

PIIB8741E

# SQUEAK AND RATTLE TROUBLE DIAGNOSES

< SERVICE INFORMATION >

## SQUEAK & RATTLE DIAGNOSTIC WORKSHEET - page 2

Briefly describe the location where the noise occurs:

---

---

### II. WHEN DOES IT OCCUR? (please check the boxes that apply)

- |                                                       |                                                        |
|-------------------------------------------------------|--------------------------------------------------------|
| <input type="checkbox"/> anytime                      | <input type="checkbox"/> after sitting out in the rain |
| <input type="checkbox"/> 1st time in the morning      | <input type="checkbox"/> when it is raining or wet     |
| <input type="checkbox"/> only when it is cold outside | <input type="checkbox"/> dry or dusty conditions       |
| <input type="checkbox"/> only when it is hot outside  | <input type="checkbox"/> other:                        |

### III. WHEN DRIVING:

- through driveways
- over rough roads
- over speed bumps
- only about \_\_\_\_ mph
- on acceleration
- coming to a stop
- on turns: left, right or either (circle)
- with passengers or cargo
- other: \_\_\_\_\_
- after driving \_\_\_\_ miles or \_\_\_\_ minutes

### IV. WHAT TYPE OF NOISE

- squeak (like tennis shoes on a clean floor)
- creak (like walking on an old wooden floor)
- rattle (like shaking a baby rattle)
- knock (like a knock at the door)
- tick (like a clock second hand)
- thump (heavy, muffled knock noise)
- buzz (like a bumble bee)

### TO BE COMPLETED BY DEALERSHIP PERSONNEL

#### Test Drive Notes:

---

---

---

	YES	NO	Initials of person performing
Vehicle test driven with customer	<input type="checkbox"/>	<input type="checkbox"/>	_____
- Noise verified on test drive	<input type="checkbox"/>	<input type="checkbox"/>	_____
- Noise source located and repaired	<input type="checkbox"/>	<input type="checkbox"/>	_____
- Follow up test drive performed to confirm repair	<input type="checkbox"/>	<input type="checkbox"/>	_____

VIN: \_\_\_\_\_ Customer Name: \_\_\_\_\_  
W.O.# \_\_\_\_\_ Date: \_\_\_\_\_

This form must be attached to Work Order

PIIB8742E

# AUTOMATIC DRIVE POSITIONER

< SERVICE INFORMATION >

## AUTOMATIC DRIVE POSITIONER

### System Description

INFOID:000000001328097

- The system automatically moves the driver seat to facilitate entry/exit to/from the vehicle. The automatic drive positioner control unit can also store the optimum driving positions (driver seat, steering wheel position (tilt, telescopic) and door mirror position) for 2 people. If the driver is changes, one-touch operation allows changing to the other driving position.
- The settings (ON/OFF) of the automatic sliding seat (Entry/Exiting operation) at entry/exit can be changed as desired, using the display unit in the center of the instrument panel. The set content is transmitted by CAN communication, from display control unit to driver seat control unit.
- Using CONSULT-III, the seat slide and steering wheel amount at entry/exit setting can be changed.

### MANUAL OPERATION

The driving position [seat position, steering wheel position (tilt, telescopic) and door mirror position] can be adjusted with the power seat switch or ADP steering switch or door mirror remote control switch.

**NOTE:**

- The seat can be manually operated with the ignition switch OFF.
- The door mirrors can be manually operated with the ignition switch turned ACC or ON.

### AUTOMATIC OPERATION

Function		Description
Memory switch operation		The seat, steering and door mirror move to the stored driving position by pushing memory switch (1 or 2).
Entry/Exiting function	Exiting operation	At exit, the seat moves backward and steering wheel moves forward/upward.
	Entry operation	At entry, the seat and steering wheel returns from the exiting position to the previous driving position.
keyfob interlock operation		Perform memory operation, exiting operation and entry operation by pressing keyfob unlock button.

**NOTE:**

- Disconnecting the battery erases the stored memory.
- After connecting the battery, insert the key into the ignition cylinder and turn the driver door switch ON (open)→OFF (close)→ON (open), the Entry/ Exiting operation becomes possible.
- After exiting operation is carried out, return operation can be operated.

Auto operation temporary stop conditions.	When ignition switch turned to START during memory switch operation and return operation, memory switch operation and entry operation is stopped.
Auto operation stop conditions.	<ul style="list-style-type: none"> <li>• When the vehicle speed becomes 7 km/h (4 MPH) or higher.</li> <li>• When the setting switch, memory switch 1, or 2 are pressed.</li> <li>• When A/T selector lever is in any position other than P.</li> <li>• When the door mirror remote control switch is operated (when ignition switch turned to ON or ACC).</li> <li>• When power seat switch turned ON.</li> <li>• When ADP steering switch turned ON (telescopic operation or tilt operation).</li> <li>• When door mirror operates (only memory switch operation).</li> <li>• When driver seat sliding Entry/Exiting setting is OFF (only entry/exiting operation).</li> <li>• When steering wheel tilt and telescopic Entry/Exiting setting is OFF (only entry/exiting operation).</li> <li>• When the tilt and telescopic sensor malfunction is detected.</li> </ul>

**NOTE:**

During automatic operation, if the ignition switch is turned ON→START, the automatic operation is suspended. When the ignition switch returns to ON, it resumes.

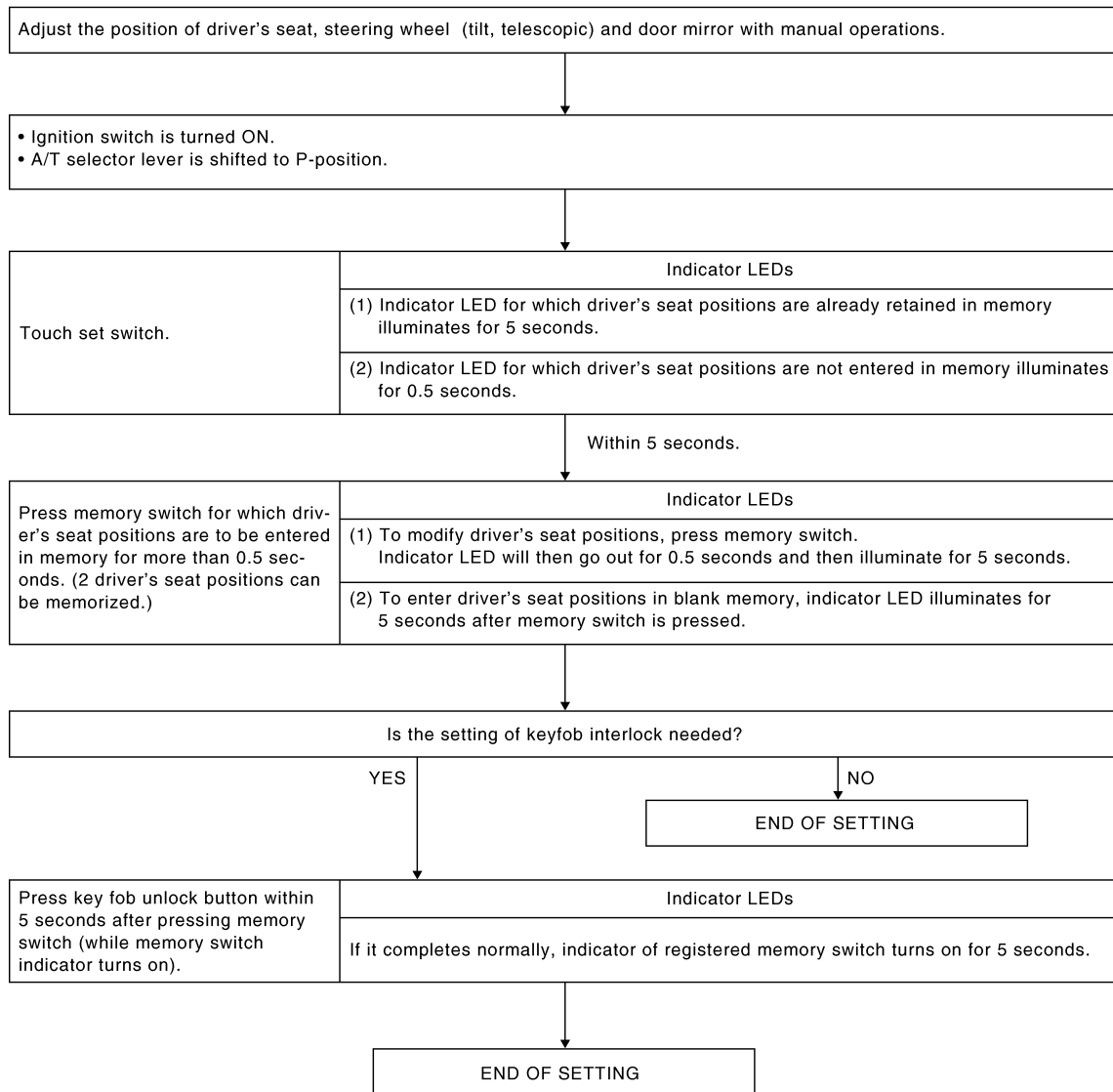
### MEMORY STORING AND KEYFOB INTERLOCK STORING

- Store the 2 driving positions and shifts to the stored driving position with the memory switch.

# AUTOMATIC DRIVE POSITIONER

## < SERVICE INFORMATION >

- Keyfob interlock function is set simultaneously with setting driving position memory. It can set driving position to memory position.



PIIB3487E

### NOTE:

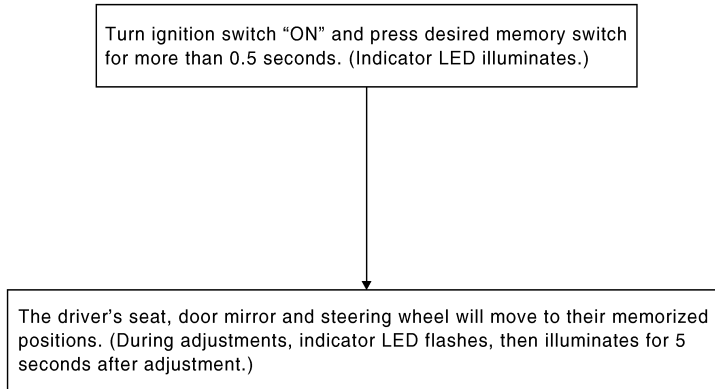
- If another keyfob interlock function setting is performed by same key, newly registered setting is valid.
- If new memory string is performed to memory switch that already set keyfob interlock function, keyfob interlock function setting is reset.
- If key does not set previously, keyfob interlock function cannot set.

### MEMORY SWITCH OPERATION

# AUTOMATIC DRIVE POSITIONER

## < SERVICE INFORMATION >

### Selecting the memory



PIIA6137E

### NOTE:

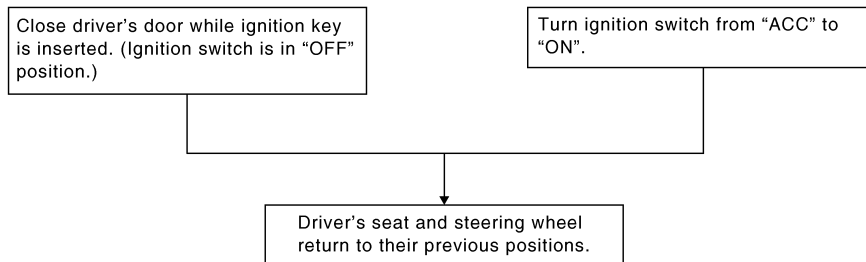
The driver's seat position and steering adjustment functions (see the following table) operate simultaneously in the order of priority.

Priority	Function	Priority	Function
1	Seat sliding, door mirror LH/RH*	4	Seat reclining
2	Steering wheel telescoping	5	Seat lifter-FR
3	Steering wheel tilt	6	Seat lifter-RR

\*: In conjunction with sliding the seat, the door mirrors are positioned.

### ENTRY OPERATION

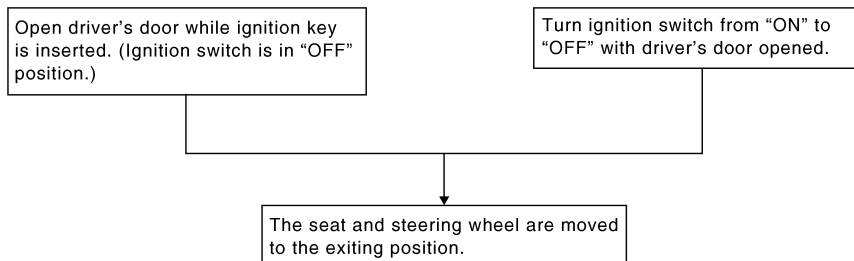
When the seat are on the exiting positions, the following operation moves the seat to the previous position before the exiting operation.



PIIA6135E

### EXITING OPERATION

At exit, the seat are automatically moved to the exiting position.



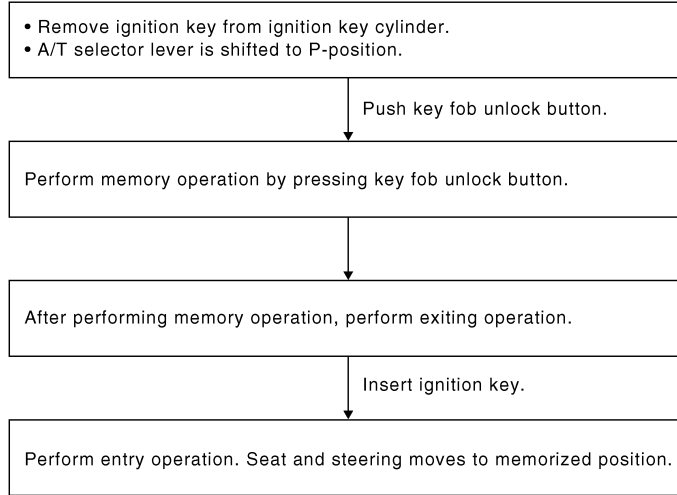
PIIA6136E

### KEYFOB INTERLOCK OPERATION

# AUTOMATIC DRIVE POSITIONER

## < SERVICE INFORMATION >

- Perform memory operation, exiting operation and entry operation by pressing keyfob unlock button.



PIIA6949E

### NOTE:

- If steering wheel operation is cancelled, the system performs seat and mirror operation only.
- If Entry/Exiting operation is cancelled, the system performs steering wheel operation and mirror operation only.
- If ignition switch turns ON in the middle of memory operation, the system does not perform exiting operation after memory operation.
- If ignition switch turns ON in the middle of exiting operation, entry operation starts at that time.

### FAIL- SAFE MODE

When any manual and automatic operations are not performed, if any motor operations of seats or tilt of steering are detected for approx. 0.1 sec or more, status is judged "Output malfunction". Motor operation will be suspended automatically, and all automatic operations will be ineffective (in this case, the motor will not operate manually).

OPERATED PORTION	Seat sliding
	Seat reclining
	Seat lifting (Front)
	Seat lifting (Rear)
	steering tilt
	steering telescopic

### CANCEL OF FAIL-SAFE MODE

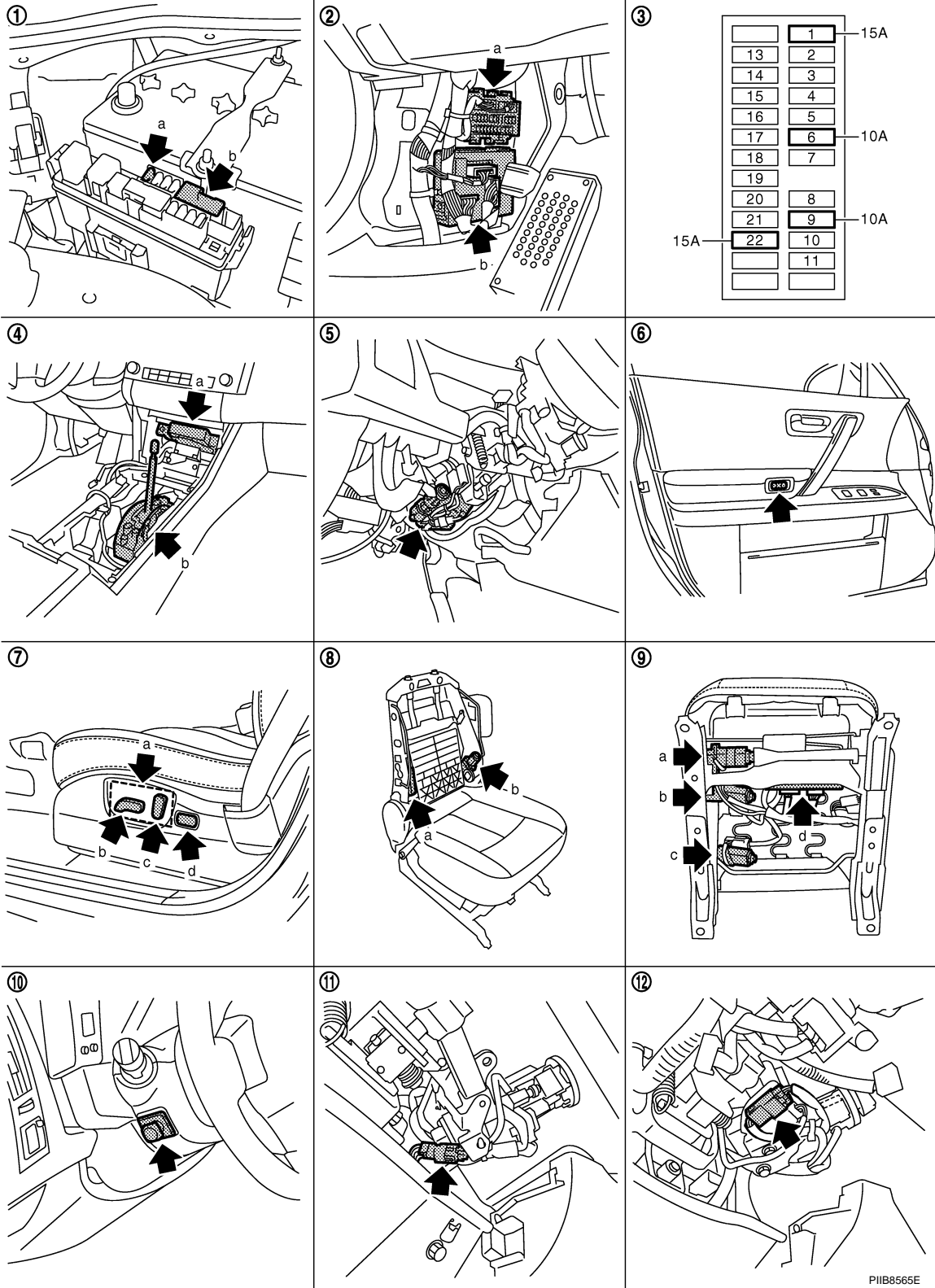
- The mode is cancelled when the selector lever is shifted to P position from any other position.

# AUTOMATIC DRIVE POSITIONER

< SERVICE INFORMATION >

## Component Parts and Harness Connector Location

INFOID:000000001328098

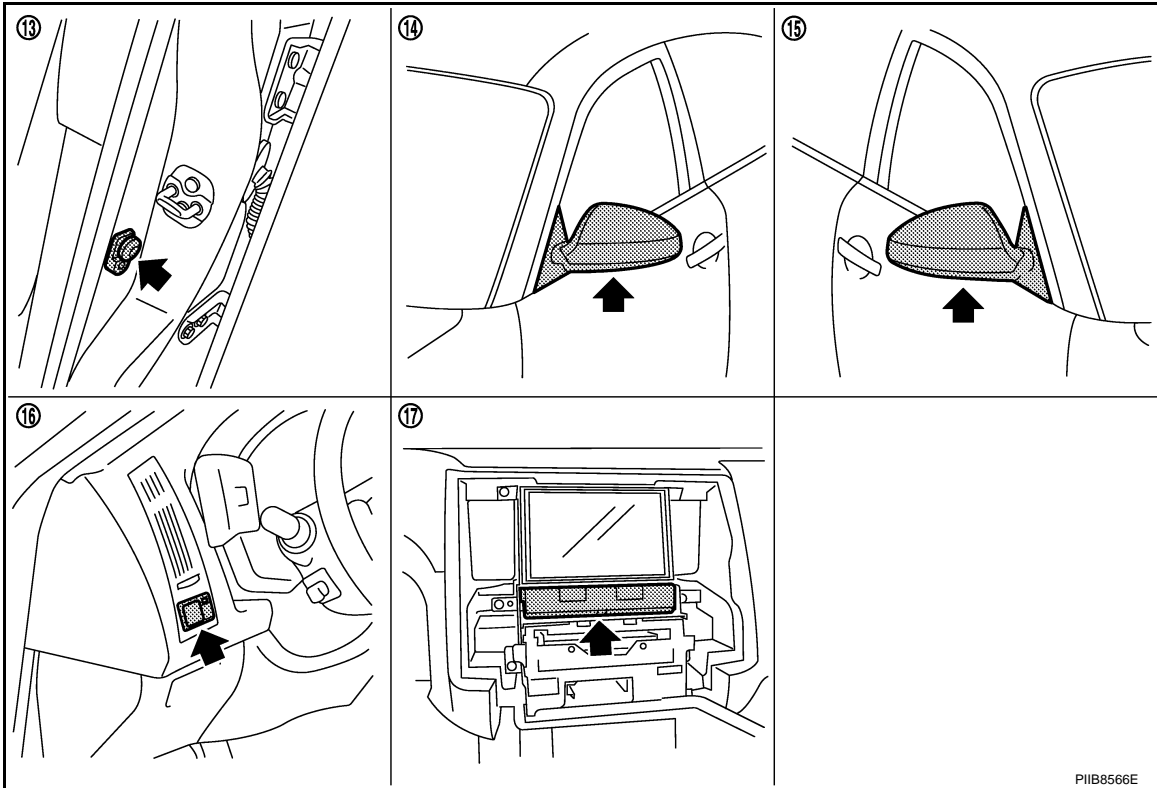


PIIB8565E



# AUTOMATIC DRIVE POSITIONER

< SERVICE INFORMATION >



- |                                                                                                                                              |                                                                                                                                          |                                                                                                                                     |
|----------------------------------------------------------------------------------------------------------------------------------------------|------------------------------------------------------------------------------------------------------------------------------------------|-------------------------------------------------------------------------------------------------------------------------------------|
| 1. a: 10A 38 fuse (With Intelligent Key)<br>b: 50A M fusible link                                                                            | 2. a: Fuse block (J/B) M1, M2<br>b: BCM M3, M4, B14<br>(View with the dash side LH removed)                                              | 3. Fuse block (J/B) fuse layout                                                                                                     |
| 4. a: Automatic drive positioner control unit M49, M50<br>b: A/T device (park position switch) M67<br>(View with the center console removed) | 5. Tilt motor and telescopic motor M27<br>Tilt sensor and telescopic sensor M28<br>(View with the instrument driver lower panel removed) | 6. Seat memory switch D22                                                                                                           |
| 7. a: Power seat switch B175<br>b: Sliding switch & Lifting switch (front & rear)<br>c: Reclining switch<br>d: Lumbar support switch B158    | 8. a: Lumbar support motor B172<br>b: Reclining motor B166                                                                               | 9. a: Sliding motor B161<br>b: Lifting motor (front) B164<br>c: Lifting motor (rear) B162<br>d: Driver seat control unit B152, B153 |
| 10. ADP steering switch M13                                                                                                                  | 11. Key switch connector M23<br>(Without Intelligent Key)                                                                                | 12. Key switch and ignition knob switch connector M22<br>(With Intelligent Key)                                                     |
| 13. Front door switch (Driver side) B26                                                                                                      | 14. Door mirror (Driver side) D2                                                                                                         | 15. Door mirror (Passenger side) D32                                                                                                |
| 16. Door mirror remote control switch M18                                                                                                    | 17. Unified meter and A/C amp. M55<br>(View with the cluster lid C removed)                                                              |                                                                                                                                     |

## CAN Communication System Description

INFOID:000000001328099

CAN (Controller Area Network) is a serial communication line for real time application. It is an on-vehicle multiplex communication line with high data communication speed and excellent error detection ability. Many electronic control units are equipped onto a vehicle, and each control unit shares information and links with other control units during operation (not independent). In CAN communication, control units are connected with 2 communication lines (CAN H line, CAN L line) allowing a high rate of information transmission with less wiring. Each control unit transmits/receives data but selectively reads required data only.

## CAN Communication Unit

INFOID:000000001328100

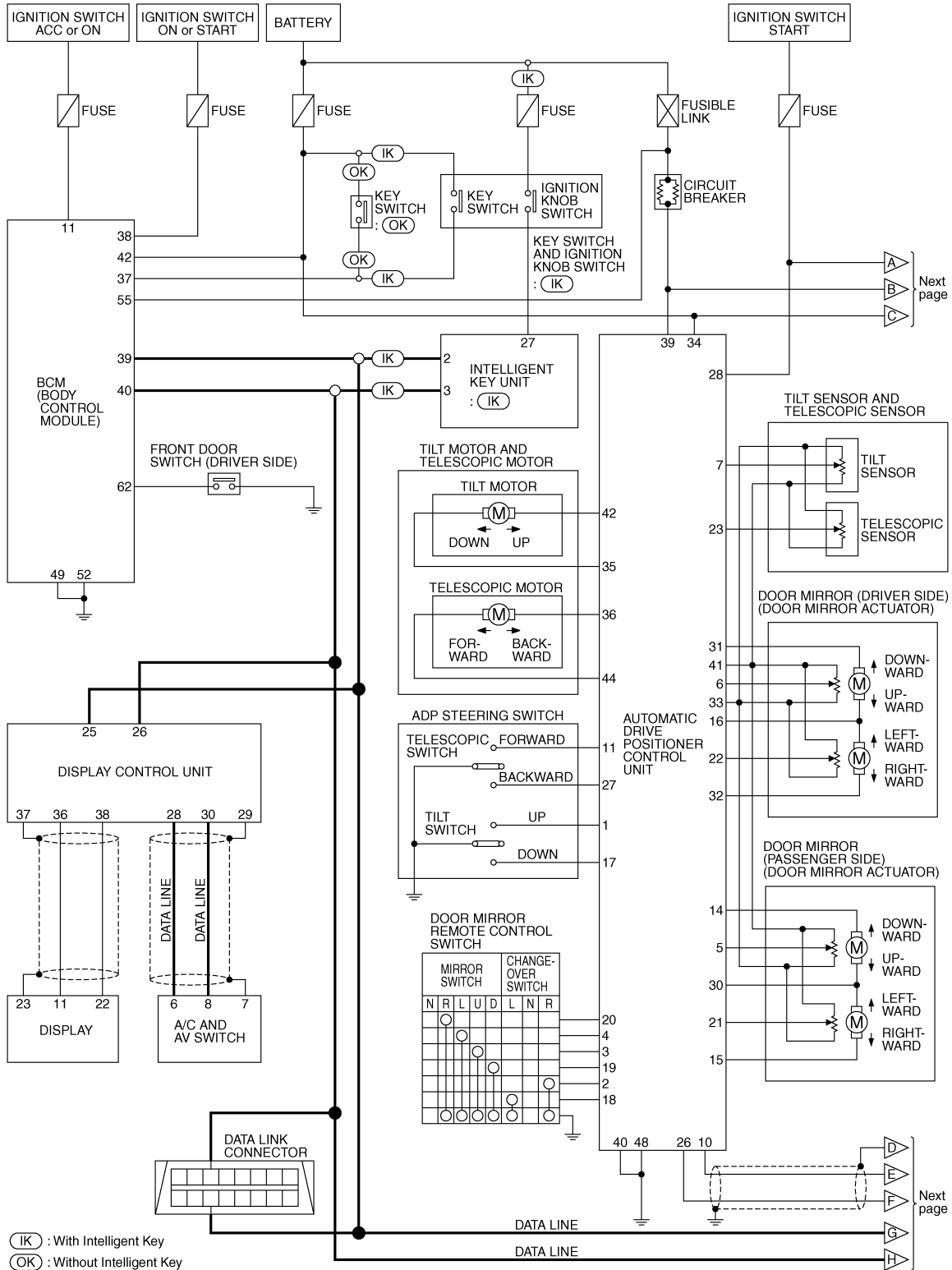
Refer to [LAN-43, "CAN System Specification Chart"](#).

# AUTOMATIC DRIVE POSITIONER

< SERVICE INFORMATION >

## Schematic

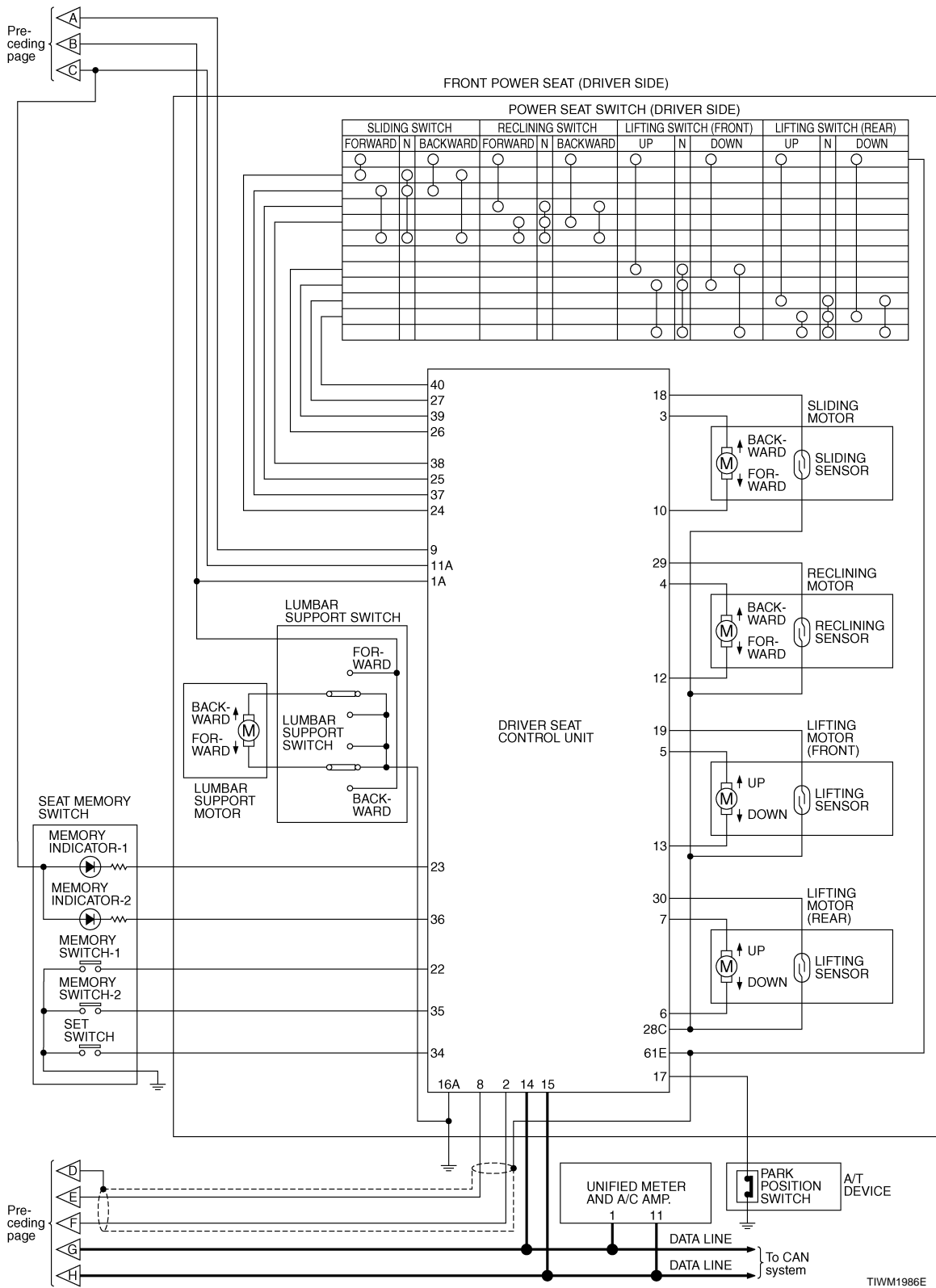
INFOID:000000001328101



TIWM1692E

# AUTOMATIC DRIVE POSITIONER

< SERVICE INFORMATION >



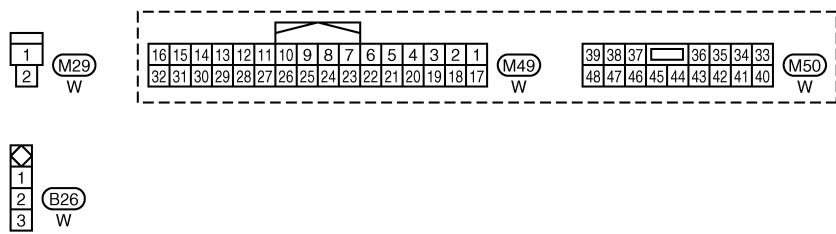
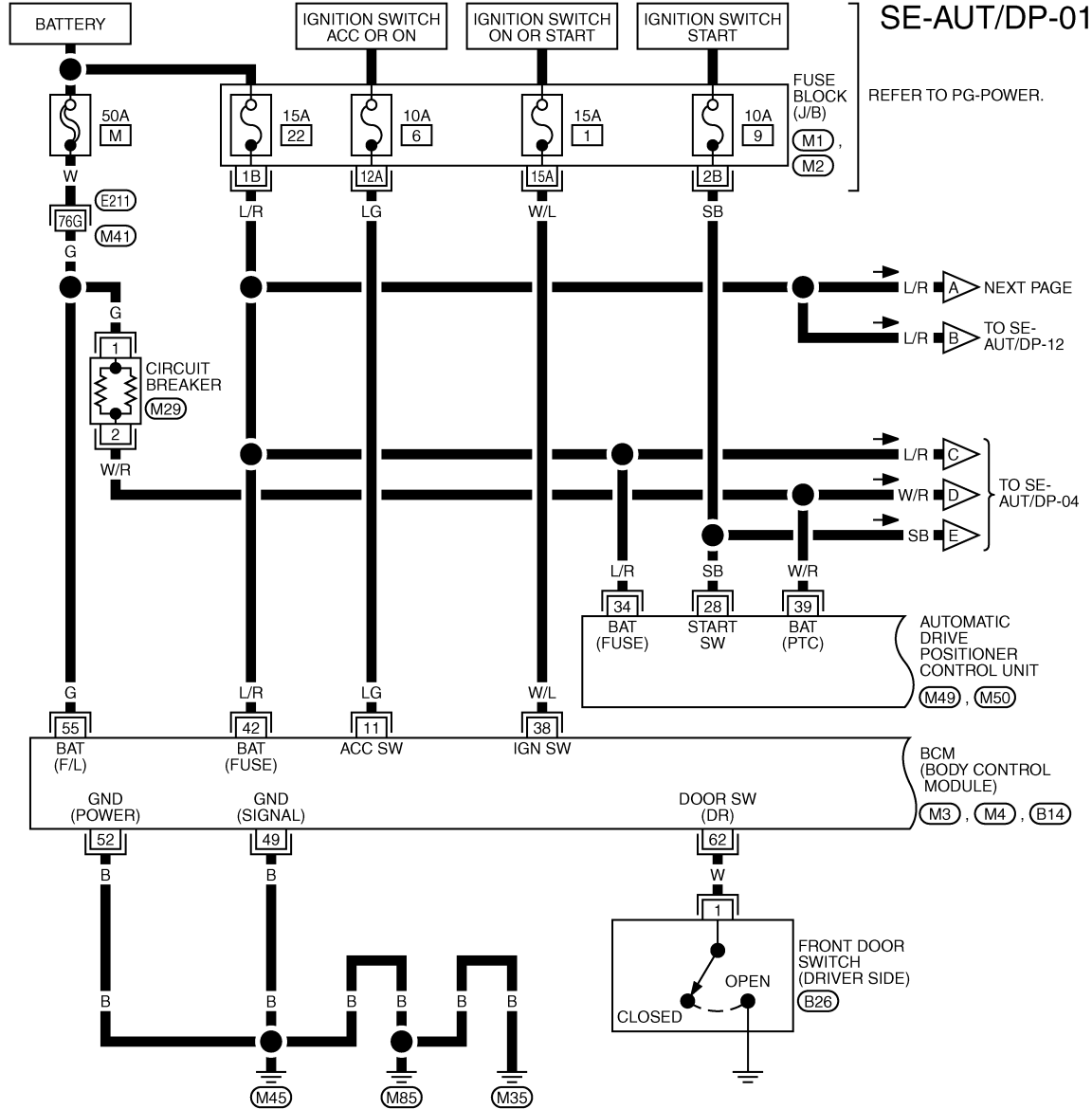
A  
B  
C  
D  
E  
F  
G  
H  
**SE**  
J  
K  
L  
M  
N  
O  
P

# AUTOMATIC DRIVE POSITIONER

< SERVICE INFORMATION >

## Wiring Diagram - AUT/DP -

INFOID:000000001328102



REFER TO THE FOLLOWING.

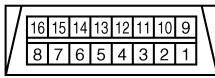
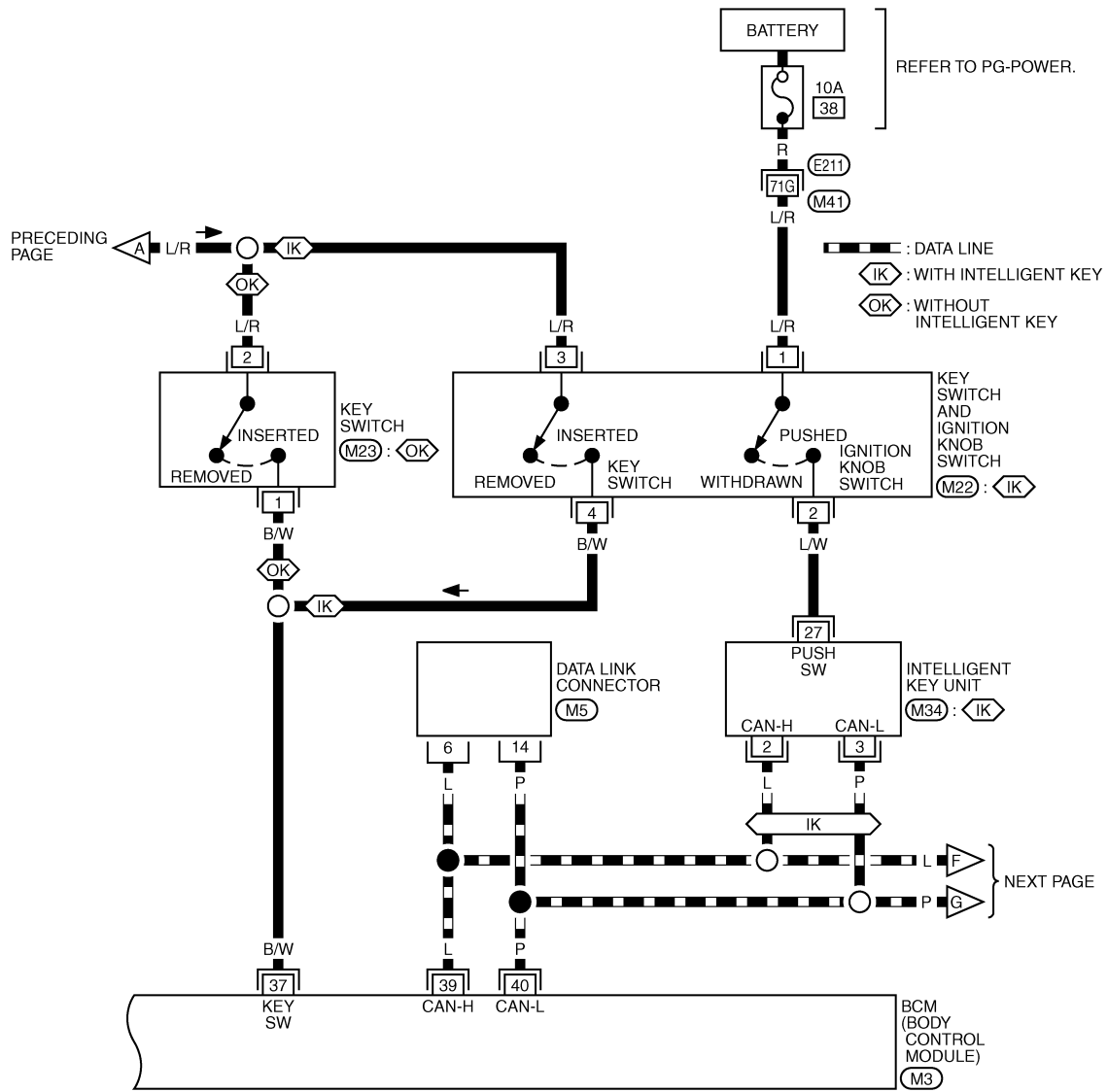
- (E21) -SUPER MULTIPLE JUNCTION (SMJ)
- (M1), (M2) -FUSE BLOCK-JUNCTION BOX (J/B)
- (M3), (M4), (B14) -ELECTRICAL UNITS

TIWM1694E

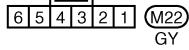
# AUTOMATIC DRIVE POSITIONER

< SERVICE INFORMATION >

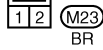
SE-AUT/DP-02



(M5) W



(M22) GY



(M23) BR

REFER TO THE FOLLOWING.  
 (E21) -SUPER MULTIPLE JUNCTION (SMJ)  
 (M3), (M34) -ELECTRICAL UNITS

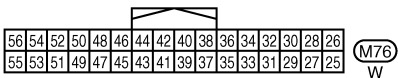
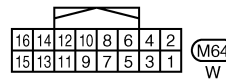
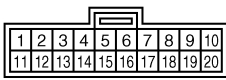
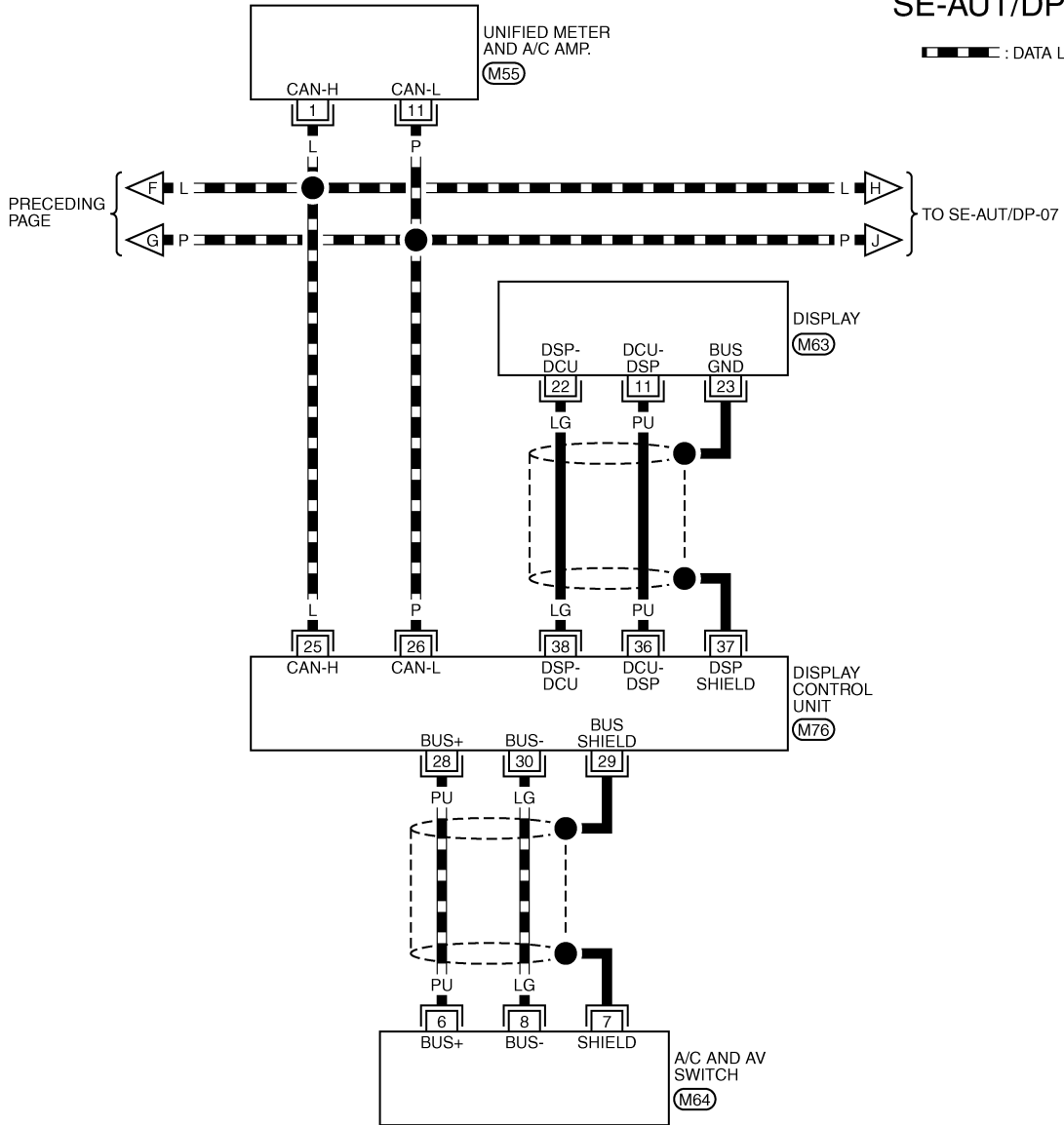
T1WM1695E

# AUTOMATIC DRIVE POSITIONER

< SERVICE INFORMATION >

SE-AUT/DP-03

▬ : DATA LINE

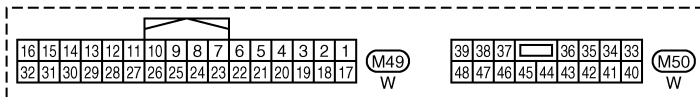
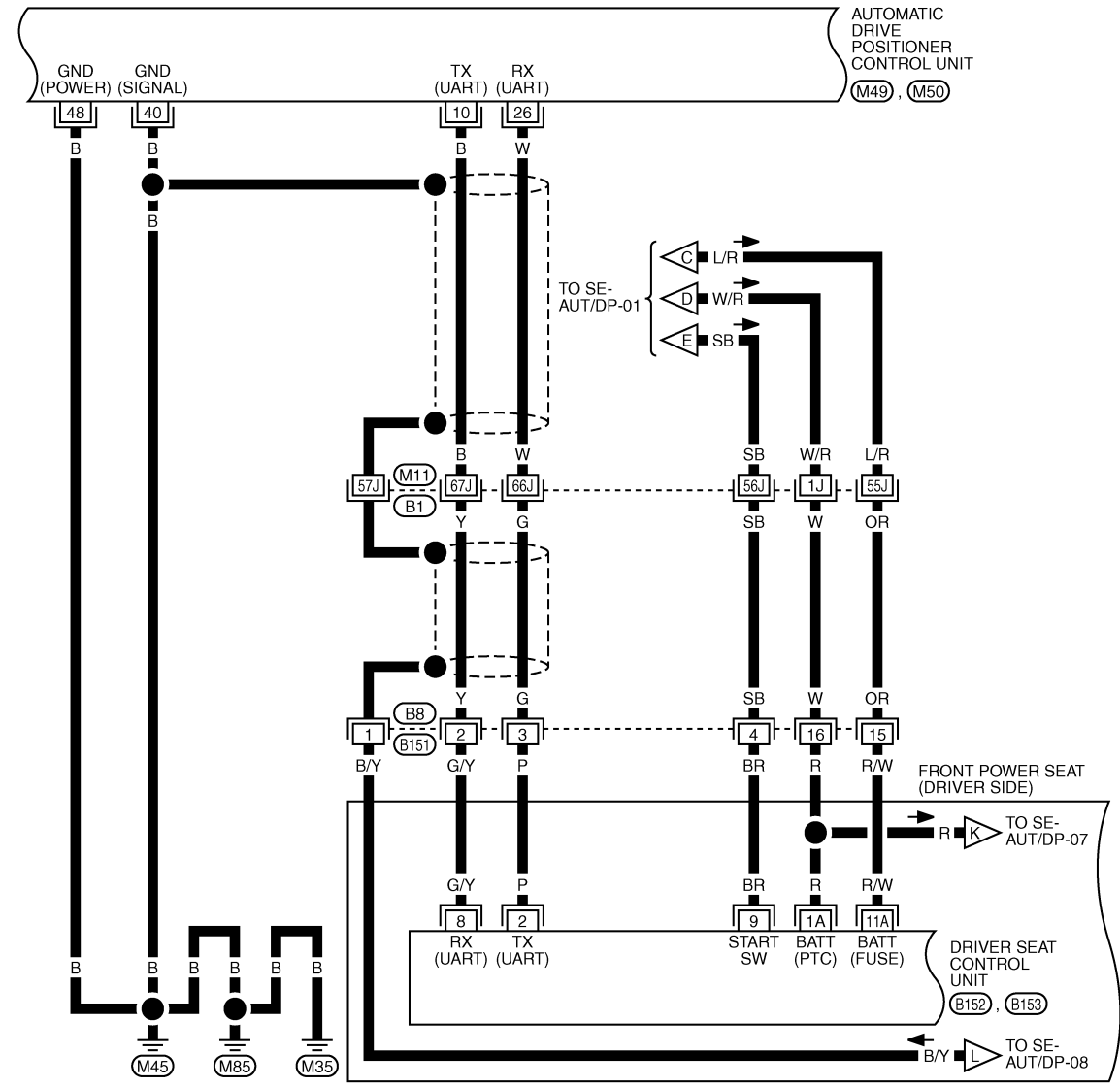


TIWM1696E

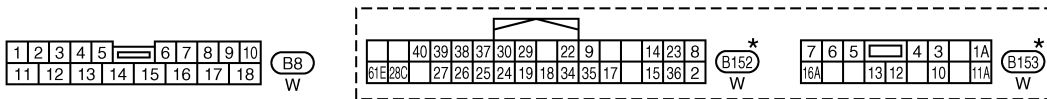
# AUTOMATIC DRIVE POSITIONER

< SERVICE INFORMATION >

SE-AUT/DP-04



REFER TO THE FOLLOWING.  
**(B1)** -SUPER MULTIPLE JUNCTION (SMJ)



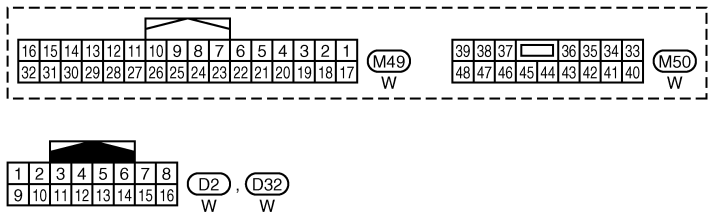
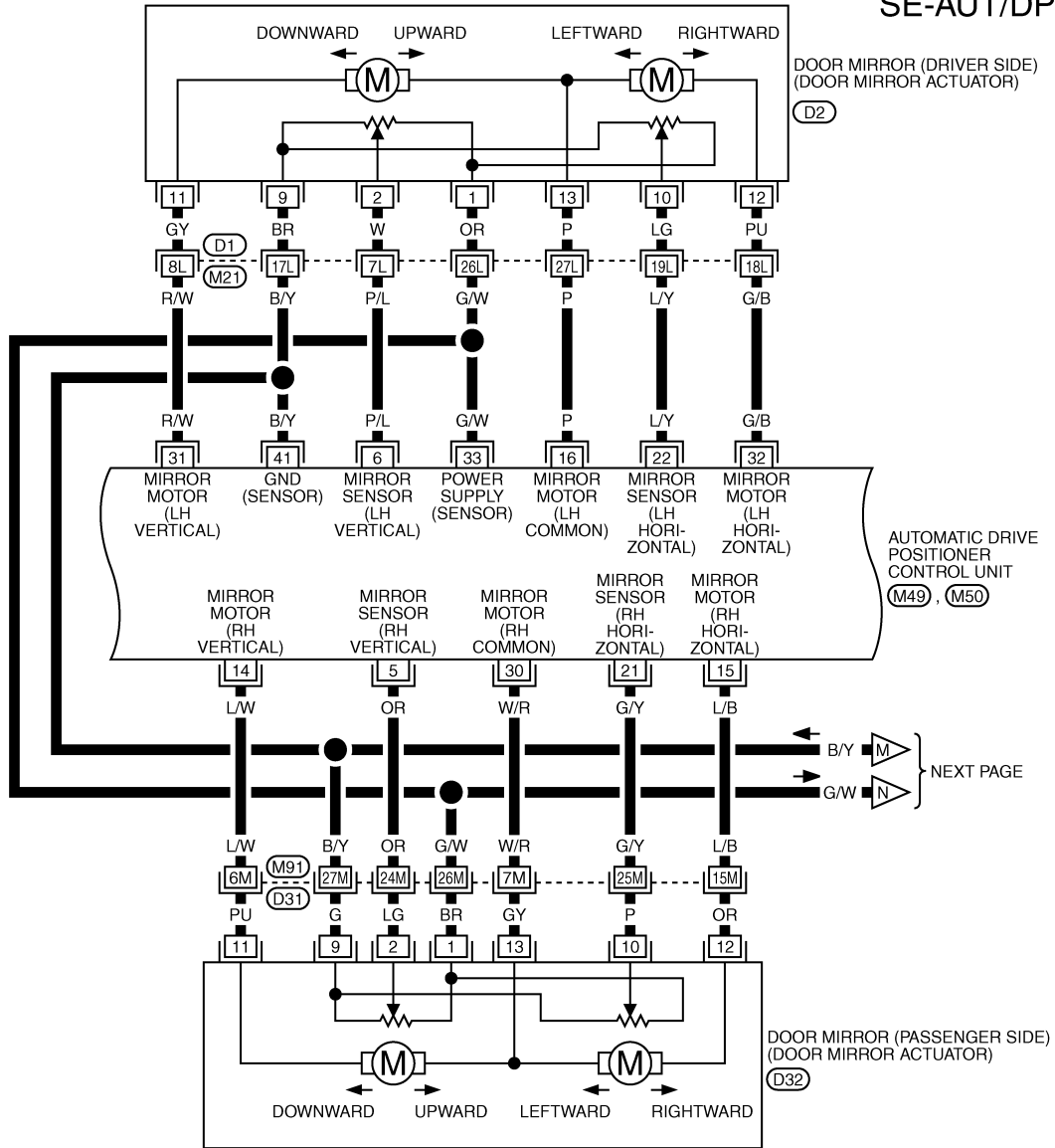
\*: THIS CONNECTOR IS NOT SHOWN IN "HARNESS LAYOUT", PG SECTION.

TIWM1697E

# AUTOMATIC DRIVE POSITIONER

< SERVICE INFORMATION >

SE-AUT/DP-05



REFER TO THE FOLLOWING.  
 (D1), (D31) -SUPER MULTIPLE JUNCTION (SMJ)

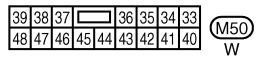
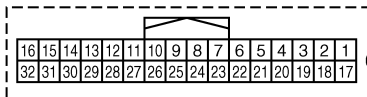
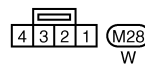
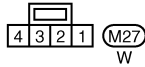
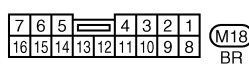
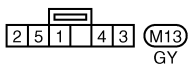
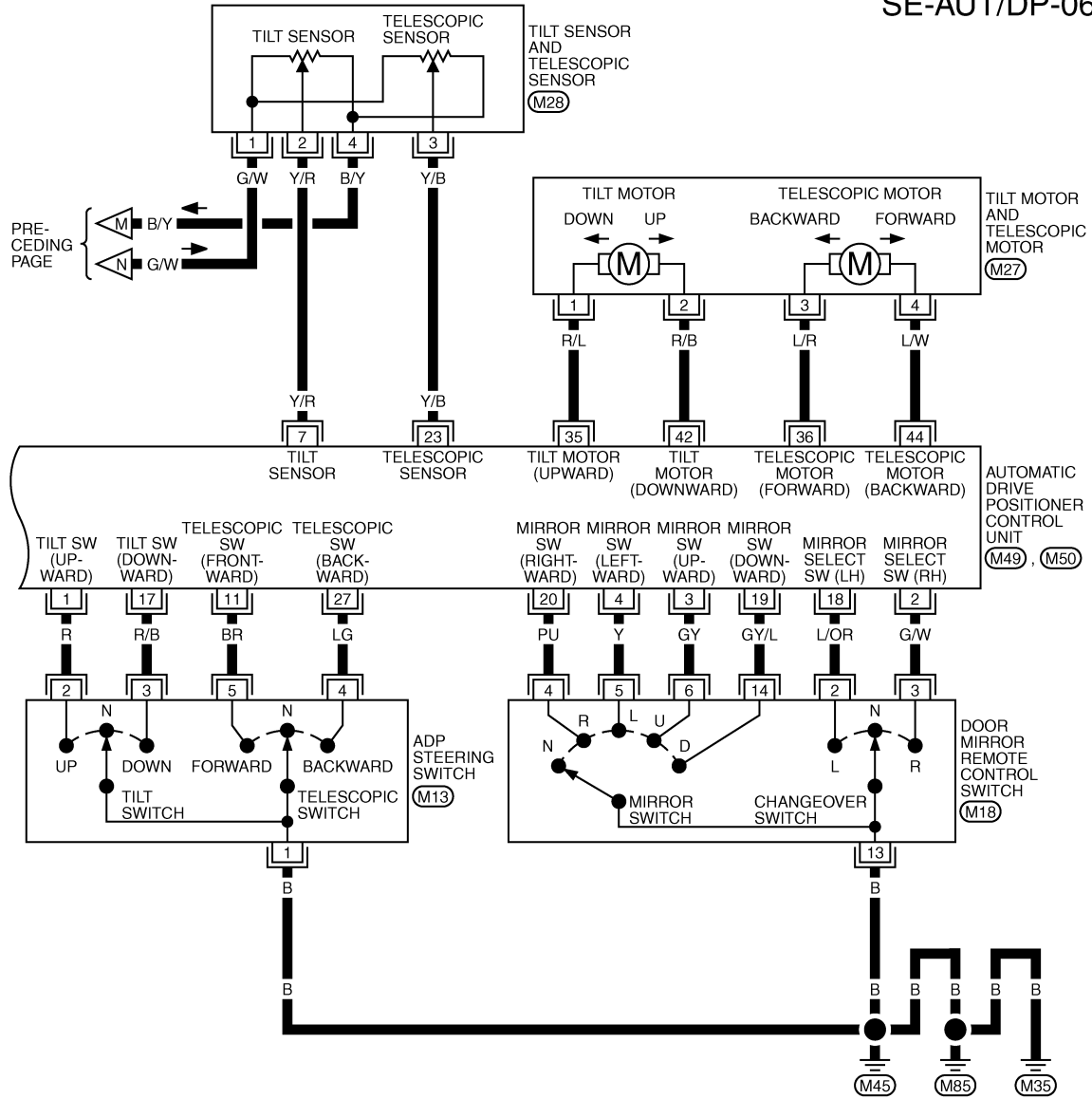
T1WM1698E



# AUTOMATIC DRIVE POSITIONER

< SERVICE INFORMATION >

SE-AUT/DP-06

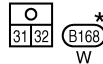
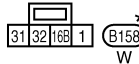
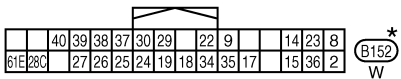
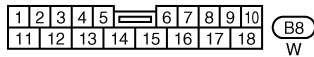
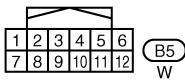
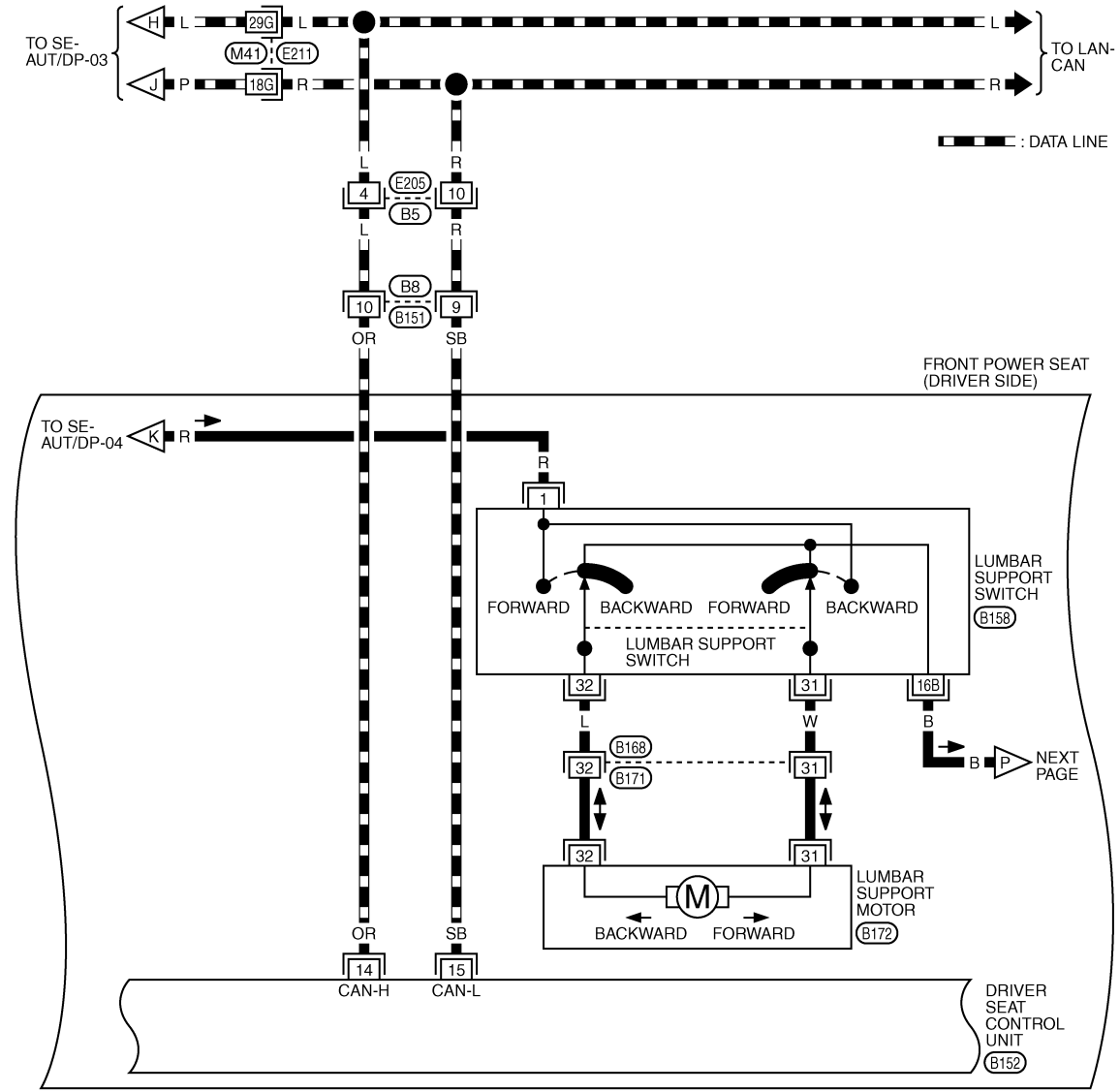


TIWM1699E

# AUTOMATIC DRIVE POSITIONER

< SERVICE INFORMATION >

SE-AUT/DP-07



\*: THIS CONNECTOR IS NOT SHOWN IN "HARNESS LAYOUT", PG SECTION.

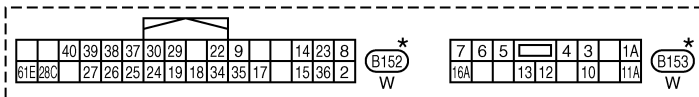
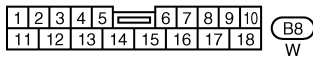
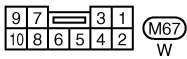
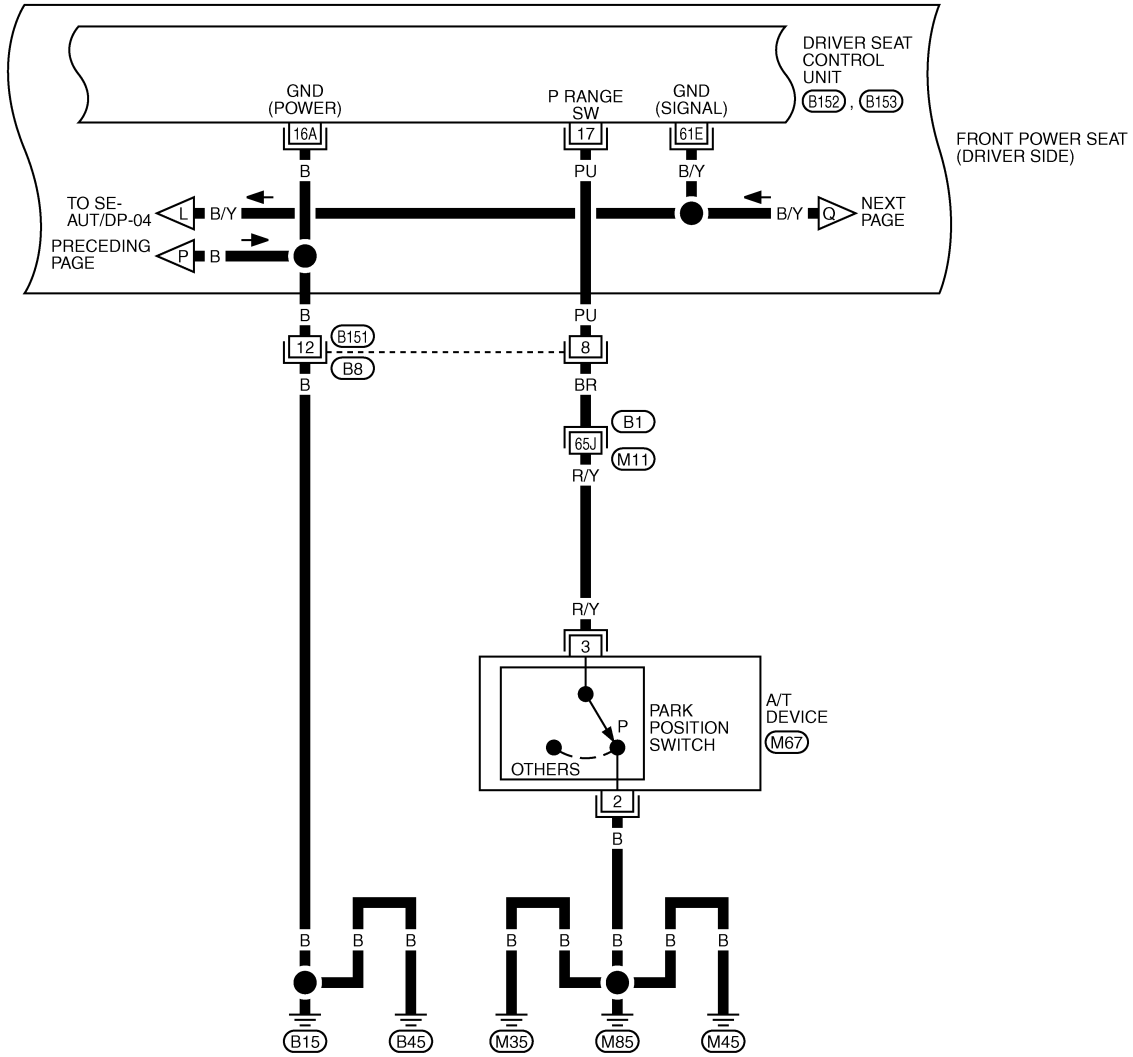
REFER TO THE FOLLOWING.  
 (E211) -SUPER MULTIPLE JUNCTION (SMJ)

TIWM1700E

# AUTOMATIC DRIVE POSITIONER

< SERVICE INFORMATION >

SE-AUT/DP-08



REFER TO THE FOLLOWING.

(B1) -SUPER MULTIPLE JUNCTION (SMJ)

\*: THIS CONNECTOR IS NOT SHOWN IN "HARNESS LAYOUT", PG SECTION.

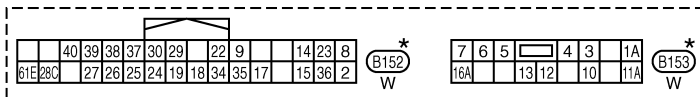
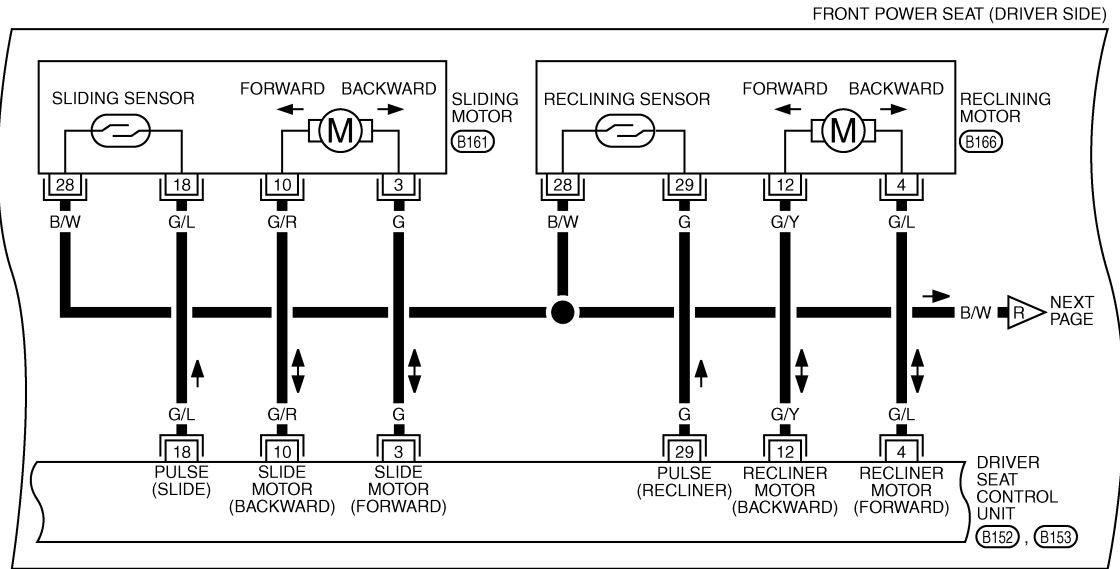
T1WM1987E



# AUTOMATIC DRIVE POSITIONER

< SERVICE INFORMATION >

SE-AUT/DP-10



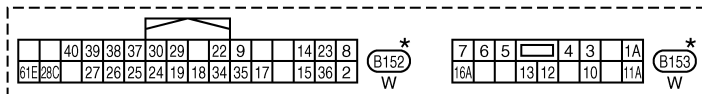
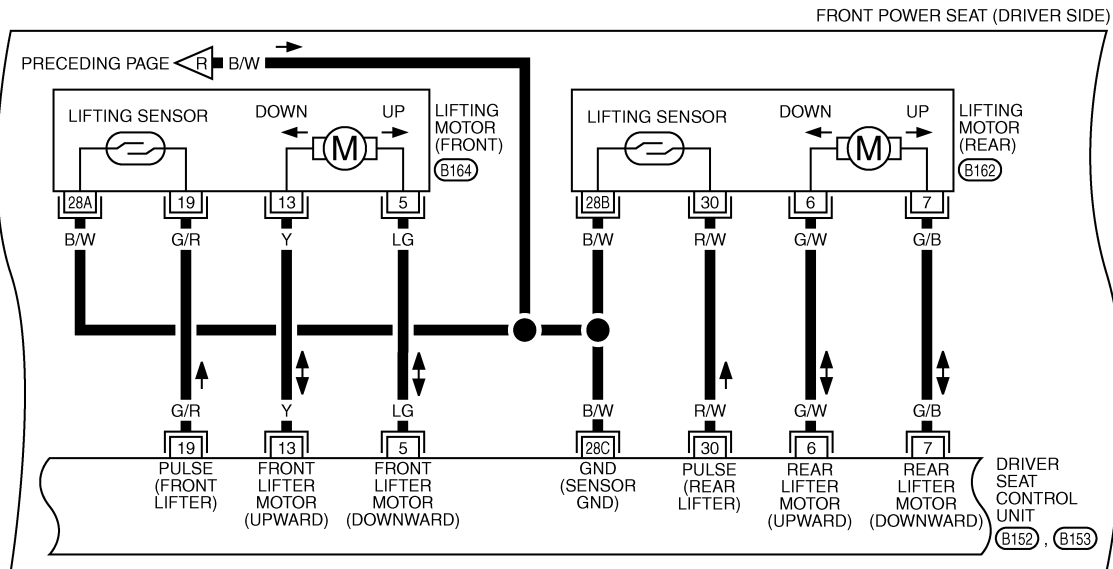
\*: THIS CONNECTOR IS NOT SHOWN IN "HARNESS LAYOUT", PG SECTION.

TIWM1716E

# AUTOMATIC DRIVE POSITIONER

< SERVICE INFORMATION >

SE-AUT/DP-11



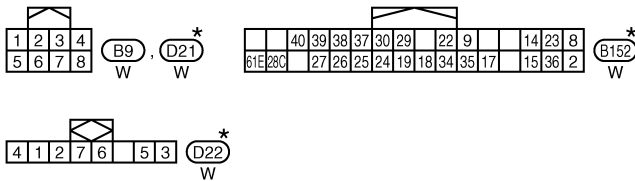
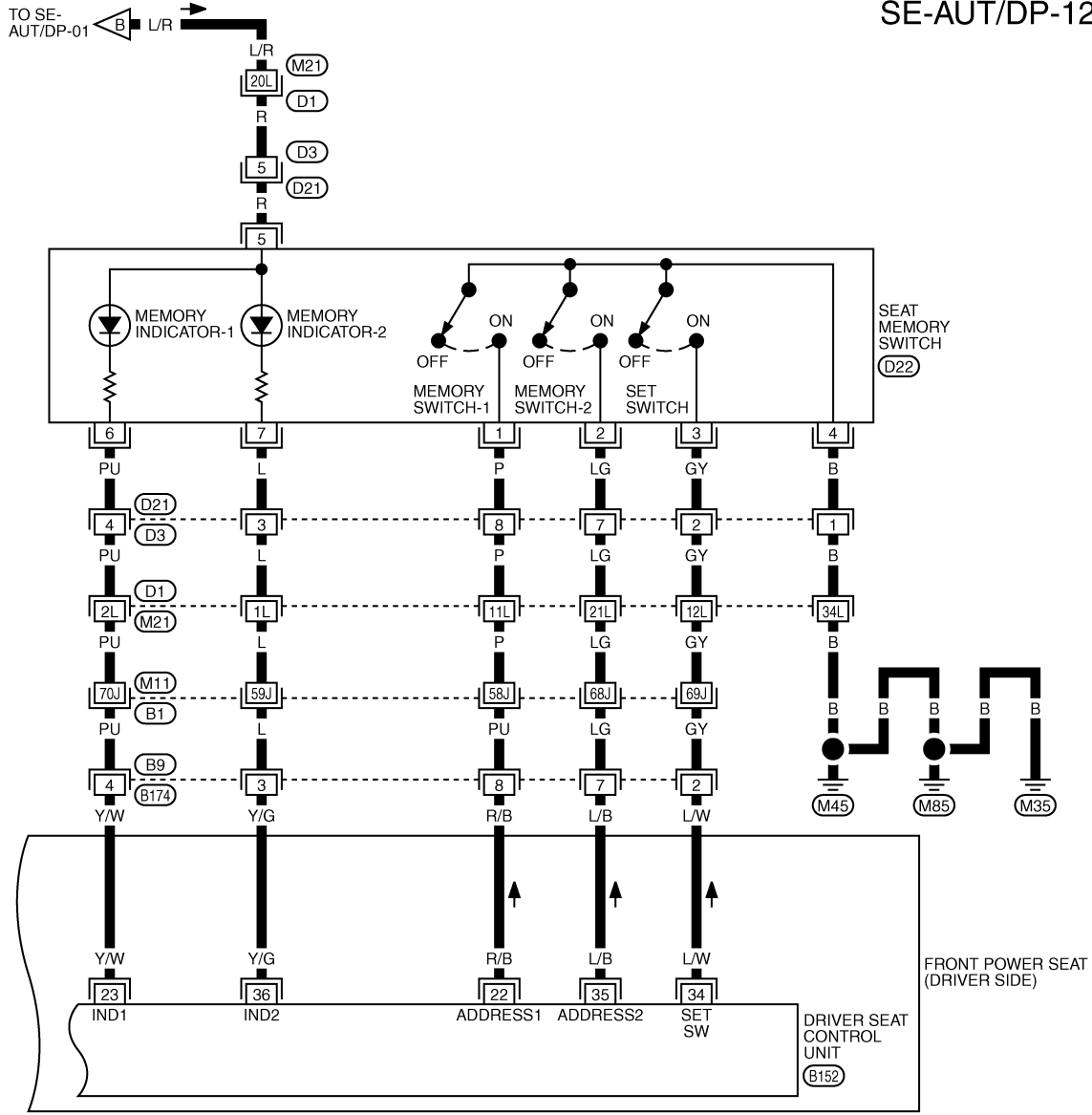
\*: THIS CONNECTOR IS NOT SHOWN IN "HARNESS LAYOUT", PG SECTION.

TIWM1703E

# AUTOMATIC DRIVE POSITIONER

< SERVICE INFORMATION >

SE-AUT/DP-12



\*: THIS CONNECTOR IS NOT SHOWN IN "HARNESS LAYOUT", PG SECTION.

REFER TO THE FOLLOWING.  
 (B1), (D1) -SUPER MULTIPLE JUNCTION (SMJ)

T1WM1704E

# AUTOMATIC DRIVE POSITIONER

< SERVICE INFORMATION >

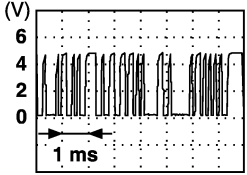
## Terminal and Reference Value for BCM

INFOID:000000001328103

Terminal	Wire Color	Item	Signal Input/Output	Condition	Voltage (V) (Approx.)
11	LG	Ignition switch (ACC)	Input	Ignition switch (ACC or ON position)	Battery voltage
37	B/W	Key switch signal	Input	Key switch ON (key is inserted in ignition key cylinder)	Battery voltage
				Key switch OFF (key is removed from ignition key cylinder)	0
38	W/L	Ignition switch (ON)	Input	Ignition switch (ON or START position)	Battery voltage
39	L	CAN-H	Input/Output	—	—
40	P	CAN-L	Input/Output	—	—
42	L/R	Power source (Fuse)	Input	—	Battery voltage
49	B	Ground (signal)	—	—	0
52	B	Ground (power)	—	—	0
55	G	Power supply (Fusible link)	Input	—	Battery voltage
62	W	Front door switch (driver side)	Output	ON (Open) → OFF (Closed)	0 → Battery voltage

## Terminal and Reference Value for Automatic Drive Positioner Control Unit

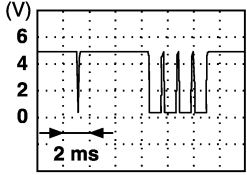
INFOID:000000001328104

Terminal	Wire Color	Item	Signal Input/Output	Condition	Voltage (V) (Approx.)
1	R	Tilt switch UP signal	Input	Tilt switch turned to upward	0
				Other than above	5
2	G/W	Changeover switch RH signal	Input	When changeover switch in RH position	0
				Other than above	5
3	GY	Mirror switch UP signal	Input	When mirror switch in turned to upward position	0
				Other than above	5
4	Y	Mirror switch LEFT signal	Input	When mirror switch in turned to leftward position	0
				Other than above	5
5	OR	Passenger side mirror sensor (vertical) signal	Input	When passenger side mirror motor is UP or DOWN operation	Changes between 3 (close to perk) - 1 (close to valley)
6	P/L	Driver side mirror sensor (vertical) signal	Input	When driver side mirror motor is UP or DOWN operation	Changes between 3 (close to perk) - 1 (close to valley)
7	Y/R	Tilt sensor signal	Input	Tilt position, top	2
				Tilt position, bottom	4
10	B	UART LINE (TX)	Output	Memory switch 1 or 2 operated	 <p style="text-align: right;">PIIA4813E</p>



# AUTOMATIC DRIVE POSITIONER

## < SERVICE INFORMATION >

Terminal	Wire Color	Item	Signal Input/Output	Condition	Voltage (V) (Approx.)
11	BR	Telescopic switch FORWARD signal	Input	Telescopic switch turned to forward	0
				Other than above	5
14	L/W	Passenger side mirror motor UP signal	Output	When passenger side mirror motor UP operation	1.5 - Battery voltage
				Other than above	0
15	L/B	Passenger side mirror motor LEFT signal	Output	When passenger side mirror motor LEFT operation	1.5 - Battery voltage
				Other than above	0
16	P	Driver side mirror motor DOWN signal	Output	When driver side mirror motor DOWN operation	1.5 - Battery voltage
				Other than above	0
		Driver side mirror motor RIGTH signal		When driver side mirror motor RIGHT operation	1.5 - Battery voltage
				Other than above	0
17	R/B	Tilt switch DOWN signal	Input	Tilt switch turned to downward	0
				Other than above	5
18	L/OR	Changeover switch LH signal	Input	When changeover switch in LH position	0
				Other than above	5
19	GY/L	Mirror switch DOWN signal	Input	When mirror switch in turned to downward position	0
				Other than above	5
20	PU	Mirror switch RIGHT signal	Input	When mirror switch in turned to rightward position	0
				Other than above	5
21	G/Y	Passenger side mirror sensor (horizontal) signal	Input	When passenger side mirror motor is LEFT or RIGHT operation	Changes between 1 (close to left edge) - 3 (close to right edge)
22	L/Y	Driver side mirror sensor (horizontal) signal	Input	When driver side mirror motor is LEFT or RIGHT operation	Changes between 1 (close to right edge) - 3 (close to left edge)
23	Y/B	Telescopic sensor signal	Input	Telescopic position, top	1
				Telescopic position, bottom	4
26	W	UART LINE (RX)	Input	Memory switch 1 or 2 operated	 <p style="text-align: right; font-size: small;">PIIA4814E</p>
27	LG	Telescopic switch BACKWARD signal	Input	Telescopic switch turned to backward	0
				Other than above	5
28	SB	Ignition switch (START)	Input	Ignition switch (START position)	Battery voltage

A  
B  
C  
D  
E  
F  
G  
H  
SE  
J  
K  
L  
M  
N  
O  
P

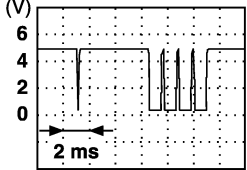
# AUTOMATIC DRIVE POSITIONER

## < SERVICE INFORMATION >

Terminal	Wire Color	Item	Signal Input/Output	Condition	Voltage (V) (Approx.)
30	W/R	Passenger side mirror motor DOWN signal	Output	When passenger side mirror motor downward	1.5 - Battery voltage
				Other than above	0
		Passenger side mirror motor RIGTH signal		When passenger side mirror motor RIGHT operation	1.5 - Battery voltage
				Other than above	0
31	R/W	Driver side mirror motor UP signal	Output	When driver side mirror motor upward	1.5 - Battery voltage
				Other than above	0
32	G/B	Driver side mirror motor LEFT signal	Output	When driver side mirror motor LEFT operation	1.5 - Battery voltage
				Other than above	0
33	G/W	Sensor power supply	Input	—	5
34	L/R	Battery power supply	Input	—	Battery voltage
35	R/L	Tilt motor UP signal	Output	Tilt switch turned to upward	Battery voltage
				Other than above	0
36	L/R	Telescopic motor FORWARD signal	Output	Telescopic switch turned to forward	Battery voltage
				OFF	0
39	W/R	Battery power supply	Input	—	Battery voltage
40	B	Ground (signal)	—	—	0
41	B/Y	Ground (sensor)	—	—	0
42	R/B	Tilt motor DOWN signal	Output	Tilt switch turned to downward	Battery voltage
				Other than above	0
44	L/W	Telescopic motor BACKWARD signal	Output	Telescopic switch turned to backward	Battery voltage
				Other than above	0
48	B	Ground (power)	—	—	0

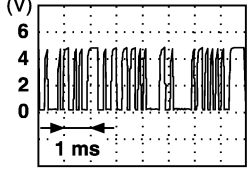
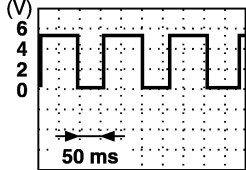
## Terminal and Reference Value for Driver Seat Control Unit

INFOID:000000001328105

Terminal	Wire Color	Item	Signal Input/Output	Condition	Voltage (V) (Approx.)
1A	R	Power source (Fusible link)	Input	—	Battery voltage
2	P	UART LINE (TX)	Output	Memory switch 1 or 2 operated	 <p style="text-align: right; font-size: small;">PIIA4814E</p>
3	G	Sliding motor FORWARD signal	Output	When sliding motor FORWARD operation	Battery voltage
				Other than above	0
4	G/L	Reclining motor FORWARD signal	Output	When reclining motor FORWARD operation	Battery voltage
				Other than above	0

# AUTOMATIC DRIVE POSITIONER

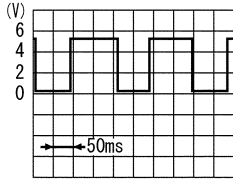
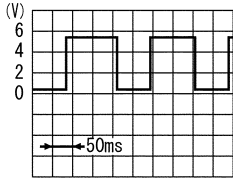
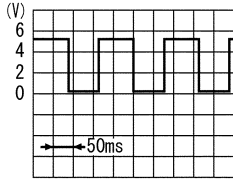
## < SERVICE INFORMATION >

Terminal	Wire Color	Item	Signal Input/Output	Condition	Voltage (V) (Approx.)
5	LG	Front lifting motor DOWN signal	Output	When front lifting motor DOWN operation	Battery voltage
				Other than above	0
6	G/W	Rear lifting motor UP signal	Output	When rear lifting motor UP operation	Battery voltage
				Other than above	0
7	G/B	Rear lifting motor DOWN signal	Output	When rear lifting motor DOWN operation	Battery voltage
				Other than above	0
8	G/Y	UART LINE (RX)	Input	Memory switch 1 or 2 switch operated	 <p style="text-align: right; font-size: small;">PIIA4813E</p>
9	BR	Ignition switch (START)	Input	Ignition switch (START position)	Battery voltage
10	G/R	Sliding motor BACKWARD signal	Output	When sliding motor BACKWARD operation	Battery voltage
				Other than above	0
11A	R/W	Power source (Fuse)	Input	—	Battery voltage
12	G/Y	Reclining motor BACKWARD signal	Output	When reclining motor BACKWARD operation	Battery voltage
				Other than above	0
13	Y	Front lifting motor UP signal	Output	When front lifting motor UP operation	Battery voltage
				Other than above	0
14	OR	CAN-H	Input/Output	—	—
15	SB	CAN-L	Input/Output	—	—
16A	B	Ground (power)	—	—	0
17	PU	Park position switch signal	Input	Selector lever other than P position	Battery voltage
				Selector lever is sifted to P position	0
18	G/L	Seat sliding sensor signal	Input	ON (sliding motor operation)	 <p style="text-align: right; font-size: small;">PIIA3277E</p>
				Other than above	0 or 5

A  
B  
C  
D  
E  
F  
G  
H  
SE  
J  
K  
L  
M  
N  
O  
P

# AUTOMATIC DRIVE POSITIONER

## < SERVICE INFORMATION >

Terminal	Wire Color	Item	Signal Input/Output	Condition	Voltage (V) (Approx.)
19	G/R	Front lifting sensor signal	Input	ON (front lifting motor operation)	 <small>SIIA0691J</small>
				Other than above	0 or 5
22	R/B	Power seat memory switch 1 signal	Input	Memory switch 1: ON	0
				Memory switch 1: OFF	5
23	Y/W	Power seat memory switch inductor 1 signal	Output	Memory switch 1: ON	1
				Memory switch 1: OFF	Battery voltage
24	L/R	Seat sliding switch FORWARD signal	Input	When seat sliding switch FORWARD operation	0
				Other than above	Battery voltage
25	L/OR	Seat reclining switch FORWARD signal	Input	When seat reclining switch FORWARD operation	0
				Other than above	Battery voltage
26	L/P	Front lifting switch UP signal	Input	When front lifting switch UP operation	0
				Other than above	Battery voltage
27	L	Rear lifting switch UP signal	Input	When rear lifting switch UP operation	0
				Other than above	Battery voltage
28C	B/W	Ground (sensor)	—	—	0
29	G	Reclining sensor signal	Input	ON (reclining motor operation)	 <small>SIIA0692J</small>
				Other than above	0 or 5
30	R/W	Rear lifting sensor signal	Input	ON (rear lifting motor operation)	 <small>SIIA0693J</small>
				Other than above	0 or 5
34	L/W	Set switch signal	Input	Set witch: ON	0
				Set witch: OFF	5
35	L/B	Power seat memory switch 2 signal	Input	Memory switch 2: ON	0
				Memory switch 2: OFF	5
36	Y/G	Power seat memory switch inductor 2 signal	Output	Memory switch 2: ON	1
				Memory switch 2: OFF	Battery voltage

# AUTOMATIC DRIVE POSITIONER

## < SERVICE INFORMATION >

Terminal	Wire Color	Item	Signal Input/Output	Condition	Voltage (V) (Approx.)
37	W	Seat sliding switch BACKWARD signal	Input	When seat sliding switch BACKWARD operation	0
				Other than above	Battery voltage
38	LG/B	Seat reclining switch BACKWARD signal	Input	When seat reclining switch BACKWARD operation	0
				Other than above	Battery voltage
39	L/G	Front lifting switch DOWN signal	Input	When front lifting switch DOWN operation	0
				Other than above	Battery voltage
40	L/Y	Rear lifting switch DOWN signal	Input	When rear lifting switch DOWN operation	0
				Other than above	Battery voltage
61E	B/Y	Ground (signal)	—	—	0

### Work Flow

INFOID:000000001328106

1. Check the symptom and customer's requests.
2. Understand the system description. Refer to [SE-12. "System Description"](#).
3. Perform the preliminary check, refer to [SE-37. "Preliminary Check"](#).
4. Perform the CAN communication inspection using CONSULT-III, refer to [SE-40. "CONSULT-III Function \(AUTO DRIVE POS.\)"](#).
5. Perform the self-diagnosis. Refer to [SE-42. "Check CAN Communication System"](#).
6. Repair or replace depending on the self-diagnostic results.
7. Based on the trouble diagnosis chart, repair or replace the cause of the malfunction. Refer to [SE-43. "Symptom Chart"](#).
8. Does the automatic drive positioner system operate normally?  
If it is normal, GO TO 8.  
If it is not normal, GO TO 3.
9. INSPECTION END

### Preliminary Check

INFOID:000000001328107

### SETTING CHANGE FUNCTION

The settings of the automatic driving positioner system can be changed, using CONSULT-III and the display unit in the center of the instrument panel.

×: Applicable –: Not applicable

Setting item	Content	CONSULT-III (WORK SUPPORT)	Display unit	Factory setting
Change seat sliding volume setting	The distance at retain operation can be selected from the following 3 modes.	40 mm	—	×
		80 mm		—
		150 mm		—
Change the Entry/Exit seat slide function setting	The seat sliding turnout and return at entry/exit can be selected: ON (operated) – OFF (not operated)	ON	ON: Indicator lamp ON	×
		OFF	OFF: Indicator lamp OFF	—
Change the Entry/Exit tilt steering wheel function setting	Tilt up and backward steering wheel at entry and exit can be selected: ON (operated) - OFF (not operated)	ON	ON: Indicator lamp ON	×
		OFF	OFF: Indicator lamp OFF	—
Reset custom settings	All settings to default.	—	Default: Setting button OFF	—

It is possible to set sliding driver seat for entry/exit of vehicle by pressing set switch.

# AUTOMATIC DRIVE POSITIONER

## < SERVICE INFORMATION >

Content	Setting change operation	Indicator LED
The seat sliding turnout and steering wheel up/backward at entry/exit can be operated.	Press the set switch for more than 10 seconds	Blinking twice
The seat sliding turnout and steering wheel up/backward at entry/exit can be not operated.		Blinking ones

**NOTE:**

After the setting is registered, the new setting is effective, even if the battery is disconnected.

### CHECK POWER SUPPLY AND GROUND

#### 1. CHECK FUSE

Check if any of the following fuses in the BCM are blown.

- Check 50A fusible link (letter **M**, located in the fuse and fusible link box.)
- Check 15A fuse [No.22, located in the fuse block (J/B)]
- Check 10A fuse [No.1, located in the fuse block (J/B)]
- Check 10A fuse [No.6, located in the fuse block (J/B)]

**NOTE:**

Refer to [SE-16. "Component Parts and Harness Connector Location"](#).

**OK or NG**

OK >> GO TO 2.

NG >> If fuse is blown out, be sure to eliminate cause of malfunction before installing new fuse. Refer to [SE-16. "Component Parts and Harness Connector Location"](#).

#### 2. CHECK POWER SUPPLY CIRCUIT (BCM)

1. Turn ignition switch OFF.
2. Disconnect BCM connector.
3. Check voltage between BCM connector and ground.

Connector	Terminals (Wire color)		Ignition switch	Voltage (V) (Approx.)
	(+)	(-)		
M3	11 (LG)	Ground	ACC	Battery voltage
	38 (W/L)		ON	
M4	42 (L/R)		OFF	
	55 (G)			

**OK or NG**

OK >> GO TO 3.

NG >> Check harness for open and short between BCM and fuse or fusible link.

#### 3. CHECK GROUND CIRCUIT (BCM)

1. Turn ignition switch OFF.
2. Check continuity between BCM connector M4 terminal 49, 52 and ground.

**49 (B) – Ground : Continuity should exist.**

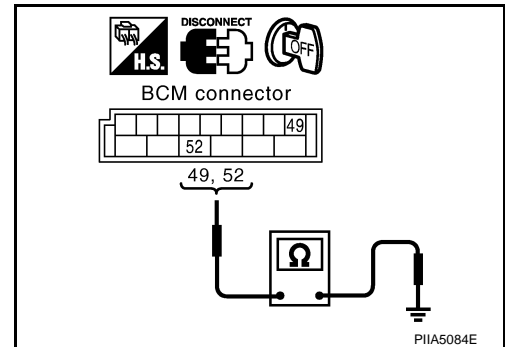
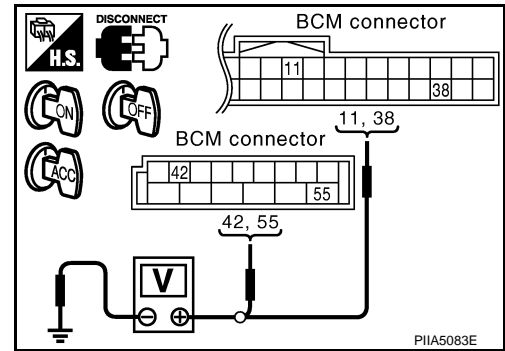
**52 (B) – Ground : Continuity should exist.**

**OK or NG**

OK >> BCM circuit is OK. Check the driver seat control unit. GO TO 4.

NG >> Repair or replace the harness between BCM and ground.

#### 4. CHECK FUSE



# AUTOMATIC DRIVE POSITIONER

## < SERVICE INFORMATION >

- Check 10A fuse [No.9, located in fuse block (J/B)].

**NOTE:**

Refer to [SE-16. "Component Parts and Harness Connector Location"](#).

**OK or NG**

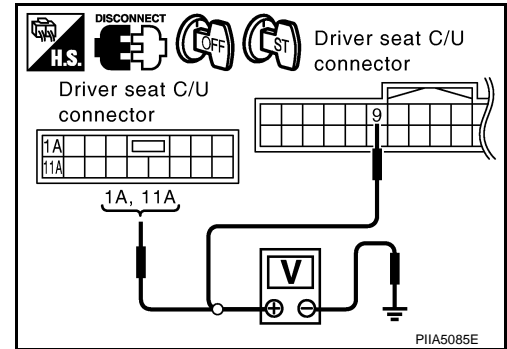
OK >> GO TO 5.

NG >> If fuse is blown out, be sure to eliminate cause of malfunction before installing new fuse. Refer to [SE-16. "Component Parts and Harness Connector Location"](#).

### 5. CHECK POWER SUPPLY CIRCUIT (DRIVER SEAT CONTROL UNIT)

1. Disconnect driver seat control unit connector.
2. Check voltage between driver seat control unit and ground.

Connector	Terminals (Wire color)		Ignition switch	Voltage (V) (Approx.)
	(+)	(-)		
B152	9 (BR)	Ground	START	Battery voltage
B153	1A (R)		OFF	
	11A (R/W)			



**OK or NG**

OK >> GO TO 6.

NG >> Repair or replace harness between driver seat control unit and fuse block (J/B).

### 6. CHECK GROUND CIRCUIT (DRIVER SEAT CONTROL UNIT)

1. Turn ignition switch OFF.
2. Check continuity between the driver seat control unit connector B152, B153 terminal 16A, 61E and ground.

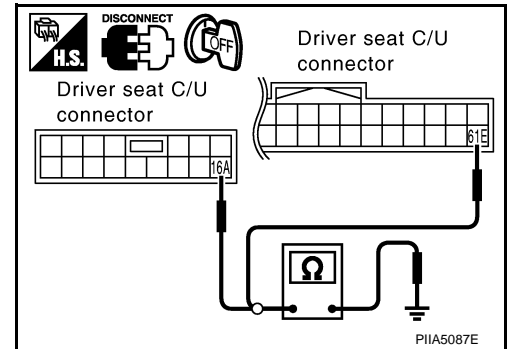
**16A (B) – Ground : Continuity should exist.**

**61E (B/Y) – Ground : Continuity should exist.**

**OK or NG**

OK >> GO TO 7.

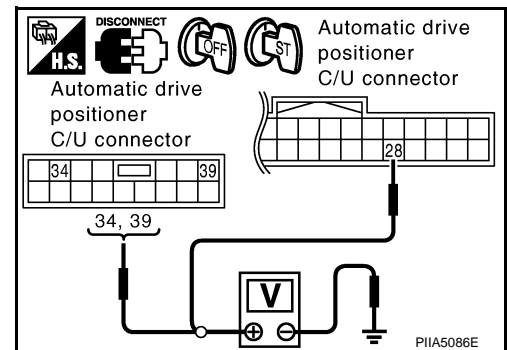
NG >> Repair or replace harness between driver seat control unit and ground.



### 7. CHECK POWER SUPPLY CIRCUIT (AUTOMATIC DRIVE POSITIONER CONTROL UNIT)

1. Disconnect automatic drive positioner control unit connector.
2. Check voltage between automatic drive positioner control unit and ground.

Connector	Terminals (Wire color)		Ignition switch	Voltage (V) (Approx.)
	(+)	(-)		
M49	28 (SB)	Ground	START	Battery voltage
M50	34 (L/R)		OFF	
	39 (W/R)			



**OK or NG**

OK >> GO TO 8.

NG >> Repair or replace harness between automatic drive positioner control unit and fuse block (J/B).

### 8. CHECK GROUND CIRCUIT (AUTOMATIC DRIVE POSITIONER CONTROL UNIT)

# AUTOMATIC DRIVE POSITIONER

## < SERVICE INFORMATION >

Check continuity between the automatic drive positioner control unit connector M50 terminal 40, 48 and ground.

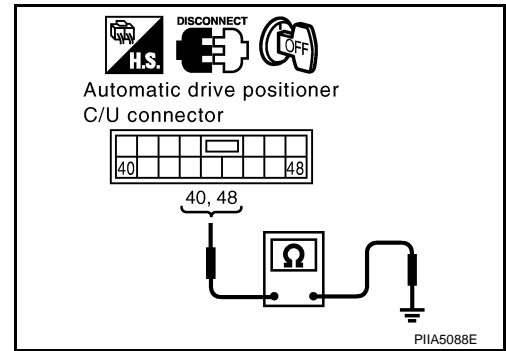
**40 (B) – Ground : Continuity should exist.**

**48 (B) – Ground : Continuity should exist.**

### OK or NG

OK >> Driver seat control unit circuit is OK.

NG >> Repair or replace harness between automatic drive positioner control unit and ground.



## CONSULT-III Function (AUTO DRIVE POS.)

INFOID:000000001328108

CONSULT-III diagnosis items	Inspection item, self-diagnosis mode		Content	Refer to page
AUTO DRIVE POSITIONER	WORK SUPPORT*1		Changes the setting for each function.	<a href="#">SE-37</a>
	SELF-DIG RESULTS		Check the self-diagnosis results.	"SELF-DIAGNOSIS RESULTS"
	DATA MONITOR	Selection from menu	Displays the input data to driver seat control unit and automatic driving positioned control unit on real-time basis.	"DATA MONITOR"
	CAN DIAGNOSTIC SUPPORT MONITOR		The results of transmit / receive diagnosis of CAN communication can be read	<a href="#">LAN-39</a>
	ACTIVE TEST*2		Gives a drive signal to a load to check the operation.	"ACTIVE TEST"
	DRIVER SEAT CONTROL UNIT PART NUMBER		Displays driver seat control unit part No.	—
BCM	DATA MONITOR	Selection from menu	Displays the input data to BCM on real-time basis	<a href="#">BL-36</a>

\*1: For setting automatic drive positioner functions only.

\*2: During vehicle driving, do not perform active test.

## SELF-DIAGNOSIS RESULTS

### Display Item List

DTC	Self-diagnosis item (CONSULT-III indication)	DTC detection condition	Reference page
U1000	CAN COMM CIRCUIT	When driver seat control unit is not transmitting or receiving CAN communication signal for 2 seconds or more.	<a href="#">SE-42</a>
B2112	SEAT SLIDE	When any manual and automatic operations are not performed, if any motor operations of seat slide is detected for 0.1 second or more, status is judged "Output error".	<a href="#">SE-44</a> <a href="#">SE-53</a>
B2113	SEAT RECLINING	When any manual and automatic operations are not performed, if any motor operations of seat reclining is detected for 0.1 second or more, status is judged "Output error".	<a href="#">SE-45</a> <a href="#">SE-54</a>
B2114	SEAT LIFTER FR	When any manual and automatic operations are not performed, if any motor operations of seat lifting FR is detected for 0.1 second or more, status is judged "Output error".	<a href="#">SE-46</a> <a href="#">SE-55</a>
B2115	SEAT LIFTER RR	When any manual and automatic operations are not performed, if any motor operations of seat lifting RR is detected for 0.1 second or more, status is judged "Output error".	<a href="#">SE-47</a> <a href="#">SE-56</a>



# AUTOMATIC DRIVE POSITIONER

## < SERVICE INFORMATION >

DTC	Self-diagnosis item (CONSULT-III indication)	DTC detection condition	Reference page
B2116	TILT OUTPUT	When any manual and automatic operations are not performed, if any motor operations of steering tilt is detected for 0.1 second or more, status is judged "Output error".	<a href="#">SE-49</a> <a href="#">SE-58</a>
B2118	TILT SENSOR	When tilt sensor detects 0.1V or lower, or 4.9V or higher, for 0.5 seconds or more.	<a href="#">SE-58</a>
B2119	TELESCO SENSOR	When telescopic sensor detects 0.1V or lower, or 4.9V or higher, for 0.5 seconds or more.	<a href="#">SE-57</a>
B2125	P RANGE SW	With the A/T selector lever in P position, if the vehicle speed of 7 km/h (4 MPH) or higher was input the park position switch input system is judged malfunctioning.	<a href="#">SE-74</a>
B2128	UART COMM	Malfunction is detected in UART communication.	<a href="#">SE-80</a>

### NOTE:

- The displays of CAN communication and P range switch display error detecting condition from memory erase to the present on "TIME".
    - If error is detected in the past and present error is detected, "CRNT" is displayed.
    - If error is detected in the past and present error is not detected, "PAST" is displayed.
    - If error has never been detected, nothing is displayed on "TIME".
  - Any items other than CAN communication and P range switch count error detection frequency occurred after erase history to "1-127".
    - If error was detected in the past, error detection frequency from memory erase to the present is displayed on "TIME".
    - If error has never been detected, nothing is displayed on "TIME".
    - Can clear the detected memory.
- Normal: Clear memory in normal condition, history is erased and nothing is displayed on "TIME".  
 Error: Clear memory in error condition, error is detected again and "1" is displayed on "TIME".

## DATA MONITOR

Selection from Menu

Monitor item [OPERATION or UNIT]	Contents
SLIDE SW-FR	"ON/OFF" ON/OFF status judged from the sliding switch (FR) signal is displayed.
SLIDE SW-RR	"ON/OFF" ON/OFF status judged from the sliding switch (RR) signal is displayed.
RECLN SW-FR	"ON/OFF" ON/OFF status judged from the reclining switch (FR) signal is displayed.
RECLN SW-RR	"ON/OFF" ON/OFF status judged from the reclining switch (RR) signal is displayed.
LIFT FR SW-UP	"ON/OFF" ON/OFF status judged from the FR lifter switch (UP) signal is displayed.
LIFT FR SW-DN	"ON/OFF" ON/OFF status judged from the FR lifter switch (DOWN) signal is displayed.
LIFT RR SW-UP	"ON/OFF" ON/OFF status judged from the RR lifter switch (UP) signal is displayed.
LIFT RR SW-DN	"ON/OFF" ON/OFF status judged from the RR lifter switch (DOWN) signal is displayed.
MIR CON SW-UP	"ON/OFF" ON/OFF status judged from the door mirror remote control switch (UP) signal is displayed.
MIR CON SW-DN	"ON/OFF" ON/OFF status judged from the door mirror remote control switch (DOWN) signal is displayed.
MIR CON SW-RH	"ON/OFF" ON/OFF status judged from the door mirror remote control switch (RIGHT) signal is displayed.
MIR CON SW-LH	"ON/OFF" ON/OFF status judged from the door mirror remote control switch (LEFT) signal is displayed.
MIR CHNG SW-R	"ON/OFF" ON/OFF status judged from the door mirror remote control switch (switching to RIGHT) signal is displayed.
MIR CHNG SW-L	"ON/OFF" ON/OFF status judged from the door mirror remote control switch (switching to LEFT) signal is displayed.
TELESCO SW-FR	"ON/OFF" ON/OFF status judged from the telescoping switch (FR) signal is displayed.
TELESCO SW-RR	"ON/OFF" ON/OFF status judged from the telescoping switch (RR) signal is displayed.

# AUTOMATIC DRIVE POSITIONER

## < SERVICE INFORMATION >

Monitor item [OPERATION or UNIT]	Contents	
TILT SW-UP	“ON/OFF”	ON/OFF status judged from the tilt switch (UP) signal is displayed.
TILT SW-DOWN	“ON/OFF”	ON/OFF status judged from the tilt switch (DOWN) signal is displayed.
SET SW	“ON/OFF”	ON/OFF status judged from the setting switch signal is displayed.
MEMORY SW1	“ON/OFF”	ON/OFF status judged from the seat memory switch 1 signal is displayed.
MEMORY SW2	“ON/OFF”	ON/OFF status judged from the seat memory switch 2 signal is displayed.
P POSI SW	“ON/OFF”	The selector lever position “ON (P position) / OFF (other than P position)” judged from the park position switch signal is displayed.
STARTER SW	“ON/OFF”	Ignition key switch ON (START, ON) /OFF (ignition switch IGN, ACC, or OFF) status judged from the ignition switch signal is displayed.
SLIDE PULSE	—	Value (32768) when battery connects is as standard. If it moves backward, the value increases. If it moves forward, the value decreases.
RECLN RULSE	—	Value (32768) when battery connects is as standard. If it moves backward, the value increases. If it moves forward, the value decreases.
LIFT FR PULSE	—	Value (32768) when battery connects is as standard. If it moves DOWN, the value increases. If it moves UP, the value decreases.
LIFT RR PULSE	—	Value (32768) when battery connects is as standard. If it moves DOWN, the value increases. If it moves UP, the value decreases.
TILT SEN	“V”	The tilt position (voltage) judged from the tilt sensor signal is displayed.
TELESCO SEN	“V”	The telescoping position (voltage) judged from the telescoping sensor signal is displayed.
MIR/SE RH R-L	“V”	Voltage output from RH door mirror sensor (LH/RH) is displayed.
MIR/SE RH U-D	“V”	Voltage output from RH door mirror sensor (UP/DOWN) is displayed.
MIR/SE LH R-L	“V”	Voltage output from LH door mirror sensor (LH/RH) is displayed.
MIR/SE LH U-D	“V”	Voltage output from LH door mirror sensor (UP/DOWN) is displayed.

### ACTIVE TEST

#### **CAUTION:**

**During vehicle driving, do not perform active test.**

#### **NOTE:**

If active test is performed, reset seat memory and key fob interlock drive positioner after performing work.

#### Display Item List

Test item	Description
TILT MOTOR	The tilt motor is activated by receiving the drive signal.
TELESCO MOTOR	The telescopic motor is activated by receiving the drive signal.
SEAT SLIDE	The sliding motor is activated by receiving the drive signal.
SEAT RECLINING	The reclining motor is activated by receiving the drive signal.
SEAT LIFTER FR	The front end lifter motor is activated by receiving the drive signal.
SEAT LIFTER RR	The rear end lifter motor is activated by receiving the drive signal.
MEMORY SW INDCTR	The memory switch indicator is lit by receiving the drive signal.
MIRROR MOTOR RH	The RH mirror motor moves the mirror UP/DOWN and LEFT/RIGHT by receiving the drive signal.
MIRROR MOTOR LH	The LH mirror motor moves the mirror UP/DOWN and LEFT/RIGHT by receiving the drive signal.

## Check CAN Communication System

INFOID:000000001532368

### 1. PERFORM SELF DIAGNOSTIC

1. Turn ignition switch ON and wait for 2 seconds or more.
2. Check “Self Diagnostic Result” of BCM.

# AUTOMATIC DRIVE POSITIONER

## < SERVICE INFORMATION >

Is "CAN COMM CIRCUIT" displayed?

YES >> Refer to [LAN-14, "Trouble Diagnosis Flow Chart"](#).

NO >> INSPECTION END.

## Symptom Chart

INFOID:000000001328110

Symptom	Diagnoses / service procedure	Refer to page
Only setting change function cannot be set with display.	Interacted display system (without NAVI)	<a href="#">AV-52</a>
	Navigation system (with NAVI)	<a href="#">AV-87</a>
A part of seat system does not operate (both automatically and manually).	1. Check sliding motor circuit	<a href="#">SE-44</a>
	2. Check reclining motor circuit	<a href="#">SE-45</a>
	3. Check front lifter motor circuit	<a href="#">SE-46</a>
	4. Check rear lifter motor circuit	<a href="#">SE-47</a>
	5. If the above systems are normal, replace the driver seat control unit	<a href="#">SE-16</a>
A part of steering tilt, telescopic and door mirror does not operate (both automatically and manually).	1. Check tilt motor circuit	<a href="#">SE-49</a>
	2. Check telescopic motor circuit	<a href="#">SE-48</a>
	3. Check driver side mirror motor circuit	<a href="#">SE-50</a>
	4. Check passenger side mirror motor circuit	<a href="#">SE-52</a>
	5. If the above systems are normal, replace the automatic drive positioner control unit	<a href="#">SE-16</a>
A part of seat system does not operate (only automatic operation).	1. Check sliding sensor circuit	<a href="#">SE-53</a>
	2. Check reclining sensor circuit	<a href="#">SE-54</a>
	3. Check front lifting sensor circuit	<a href="#">SE-55</a>
	4. Check rear lifting sensor circuit	<a href="#">SE-56</a>
	5. If the above systems are normal, replace the driver seat control unit	<a href="#">SE-16</a>
A part of steering tilt, telescopic system and door mirror system dose not operate (only automatic operation).	1. Check steering and door mirror sensor power supply and ground circuit	<a href="#">SE-61</a>
	2. Check driver side mirror sensor circuit	<a href="#">SE-59</a>
	3. Check passenger side mirror sensor circuit	<a href="#">SE-60</a>
	4. Check tilt sensor circuit	<a href="#">SE-58</a>
	5. Check telescopic sensor circuit	<a href="#">SE-57</a>
	6. If all the above systems are normal, replace the automatic drive positioner control unit	<a href="#">SE-16</a>
All the automatic operations do not operate.	1. Check A/T device (park position switch) circuit	<a href="#">SE-74</a>
	2. Check key switch circuit (with intelligent key)	<a href="#">SE-76</a>
	3. Check key switch circuit (without intelligent key)	<a href="#">SE-77</a>
	4. Check UART communication line circuit	<a href="#">SE-80</a>
	5. If all the above systems are normal, replace the automatic drive positioner control unit	<a href="#">SE-16</a>
A part of seat system does not operate (only manual operation).	1. Check sliding switch circuit	<a href="#">SE-63</a>
	2. Check reclining switch circuit	<a href="#">SE-64</a>
	3. Check front lifting switch circuit	<a href="#">SE-66</a>
	4. Check rear lifting switch circuit	<a href="#">SE-67</a>
	5. If the above systems are normal, replace the driver seat control unit	<a href="#">SE-16</a>

A

B

C

D

E

F

G

H

SE

J

K

L

M

N

O

P

# AUTOMATIC DRIVE POSITIONER

## < SERVICE INFORMATION >

Symptom	Diagnoses / service procedure	Refer to page
A part of steering tilt, telescopic and door mirror does not operate (only manual operation).	1. Check door mirror remote control switch (changeover switch) circuit	<a href="#">SE-71</a>
	2. Check door mirror remote control switch (mirror switch) circuit	<a href="#">SE-73</a>
	3. Check tilt switch circuit	<a href="#">SE-70</a>
	4. Check telescopic switch circuit	<a href="#">SE-68</a>
	5. If the above systems are normal, replace the automatic drive positioner control unit	<a href="#">SE-16</a>
Only seat memory switch operation dose not operate.	1. Check seat memory switch circuit	<a href="#">SE-78</a>
	2. If the above systems are normal, replace the driver seat control unit	<a href="#">SE-16</a>
Seat memory indicator lamps 1 and 2 do not illuminate.	1. Check seat memory indicator lamp circuit	<a href="#">SE-79</a>
	2. If all the above systems are normal, replace the driver seat control unit	<a href="#">SE-16</a>
The Entry/Exiting does not operated when door is opened and closed. (The Entry/Exiting operates with key switch)	1. Check front door switch (driver side) circuit	<a href="#">SE-62</a>
	2. If all the above systems are normal, replace the BCM	<a href="#">BCS-13</a>
Only seat sliding, seat reclining and seat lifting (front and rear) operations do not operate.	Check power seat switch ground circuit	<a href="#">SE-68</a>
Only lumbar support does not operate.	Check lumbar support circuit	<a href="#">SE-82</a>

## Check Sliding Motor Circuit

INFOID:000000001328111

### 1. CHECK SEAT SLIDING MECHANISM

Check the following.

- Operation malfunction caused by sliding rail deformation or pinched harness or other foreign materials
- Operation malfunction caused by foreign materials adhered to the sliding motor or sliding rail connector rod
- Operation malfunction and interference with other parts by poor installation

**OK or NG**

- OK >> • GO TO 2 (With CONSULT-III).  
           • GO TO 3 (Without CONSULT-III).

NG >> Repair the malfunctioning part and check again.

### 2. CHECK FUNCTION

 **With CONSULT-III**

Check operation with "SEAT SLIDE" in ACTIVE TEST.

Test item	Description
SEAT SLIDE	The sliding motor is activated by receiving the drive signal.

**OK or NG**

- OK >> Sliding motor circuit is OK.  
 NG >> GO TO 3.

### 3. CHECK SLIDING MOTOR HARNESS CONTINUITY

1. Turn ignition switch OFF.
2. Disconnect driver seat control unit connector and sliding motor connector.

# AUTOMATIC DRIVE POSITIONER

## < SERVICE INFORMATION >

- Check continuity between driver seat control unit connector B153 terminals 3, 10 and sliding motor connector B161 terminals 3, 10.

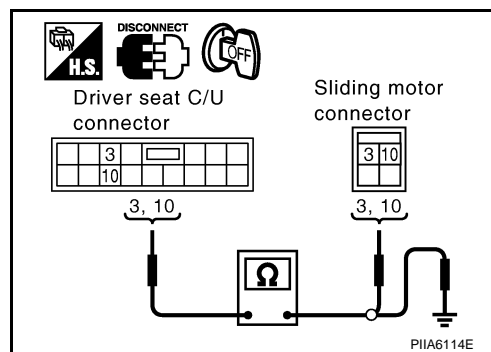
**3 (G) – 3 (G) : Continuity should exist.**

**10 (G/R) – 10 (G/R) : Continuity should exist.**

- Check continuity between driver seat control unit connector B153 terminals 3, 10 and ground.

**3 (G) – Ground : Continuity should not exist.**

**10 (G/R) – Ground : Continuity should not exist.**



### OK or NG

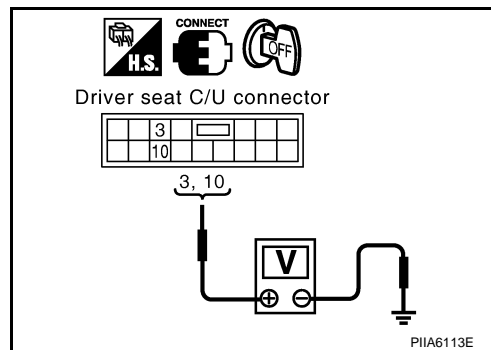
OK >> GO TO 4.

NG >> Repair or replace harness between driver seat control unit and sliding motor.

## 4. CHECK DRIVER SEAT CONTROL UNIT OUTPUT SIGNAL

- Connect the driver seat control unit connector.
- Sliding switch operate, check voltage between driver seat control unit connector and ground.

Connector	Terminals (Wire color)		Sliding switch condition	Voltage (V) (Approx.)
	(+)	(-)		
B153	3 (G)	Ground	FORWARD	Battery voltage
			Other than above	0
	10 (G/R)		BACKWARD	Battery voltage
			Other than above	0



### OK or NG

OK >> Replace sliding motor.

NG >> Replace driver seat control unit.

## Check Reclining Motor Circuit

INFOID:000000001328112

### 1. CHECK SEAT RECLINING MECHANISM

Check the following.

- Operation malfunction caused by an interference with the center pillar or center console
- Operation malfunction and interference with other parts by poor installation

### OK or NG

- OK >> • GO TO 2 (With CONSULT-III).  
• GO TO 3 (Without CONSULT-III).

NG >> Repair the malfunctioning part and check again.

### 2. CHECK FUNCTION

#### Ⓜ With CONSULT-III

Check operation with "SEAT RECLINING" in ACTIVE TEST.

Test item	Description
SEAT RECLINING	The reclining motor is activated by receiving the drive signal.

### OK or NG

OK >> Reclining motor circuit is OK.

NG >> GO TO 3.

### 3. CHECK RECLINING MOTOR HARNESS CONTINUITY

- Turn ignition switch OFF.

# AUTOMATIC DRIVE POSITIONER

## < SERVICE INFORMATION >

2. Disconnect driver seat control unit connector and reclining motor connector.
3. Check continuity between driver seat control unit connector B153 terminals 4, 12 and reclining motor connector B166 terminals 4, 12.

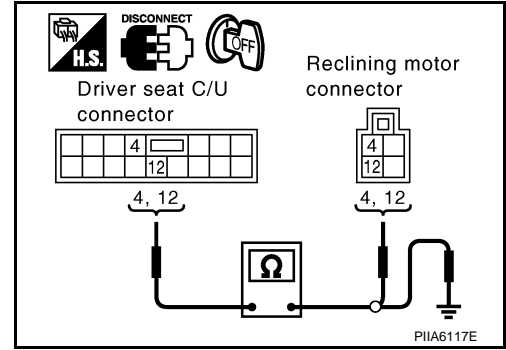
**4 (G/L) – 4 (G/L) : Continuity should exist.**

**12 (G/Y) – 12 (G/Y) : Continuity should exist.**

4. Check continuity between driver seat control unit connector B153 terminals 4, 12 and ground.

**4 (G/L) – Ground : Continuity should not exist.**

**12 (G/Y) – Ground : Continuity should not exist.**



### OK or NG

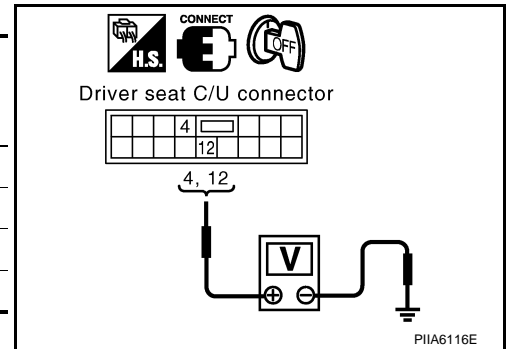
OK >> GO TO 4.

NG >> Repair or replace harness between driver seat control unit and reclining motor.

## 4. CHECK DRIVER SEAT CONTROL UNIT OUTPUT SIGNAL

1. Connect the driver seat control unit.
2. Reclining switch operate, check voltage between driver seat control unit connector and ground.

Connector	Terminals (Wire color)		Reclining switch condition	Voltage (V) (Approx.)
	(+)	(-)		
B153	4 (G/L)	Ground	FORWARD	Battery voltage
			Other than above	0
	12 (G/Y)		BACKWARD	Battery voltage
			Other than above	0



### OK or NG

OK >> Replace reclining motor.

NG >> Replace driver seat control unit.

## Check Front Lifting Motor Circuit

INFOID:000000001328113

## 1. CHECK FRONT LIFTING MECHANISM

Check the following.

- Operation malfunction caused by lifter mechanism deformation or pinched harness or other foreign materials
- Operation malfunction caused by foreign materials adhered to the lifter motor or lead screws
- Operation malfunction and interference with other parts by installation

### OK or NG

- OK >> • GO TO 2 (With CONSULT-III).  
 • GO TO 3 (Without CONSULT-III).

NG >> Repair the malfunctioning part and check again.

## 2. CHECK FUNCTION

### With CONSULT-III

Check operation with "SEAT LIFTER FR" in ACTIVE TEST.

Test item	Description
SEAT LIFTER FR	The front end lifter motor is activated by receiving the drive signal.

### OK or NG

OK >> Front lifting motor circuit is OK.

NG >> GO TO 3.

# AUTOMATIC DRIVE POSITIONER

## < SERVICE INFORMATION >

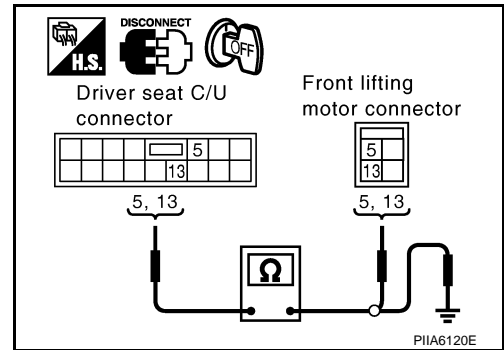
### 3. CHECK FRONT LIFTING MOTOR HARNESS CONTINUITY

1. Turn ignition switch OFF.
2. Disconnect driver seat control unit connector and front lifting motor connector.
3. Check continuity between driver seat control unit connector B153 and terminals 5, 13 and front lifting motor connector B164 terminals 5, 13.

**5 (LG) – 5 (LG) : Continuity should exist.**  
**13 (Y) – 13 (Y) : Continuity should exist.**

4. Check continuity between driver seat control unit connector B153 and terminals 5, 13 and ground.

**5 (LG) – Ground : Continuity should not exist.**  
**13 (Y) – Ground : Continuity should not exist.**



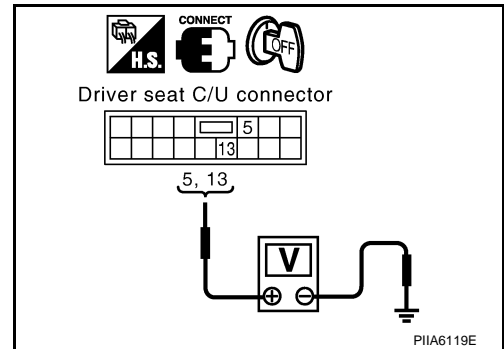
#### OK or NG

- OK >> GO TO 4.
- NG >> Repair or replace harness between driver seat control unit and front lifting motor.

### 4. CHECK DRIVER SEAT CONTROL UNIT OUTPUT SIGNAL

1. Connect the driver seat control unit connector.
2. Front lifting switch operate, check voltage between driver seat control unit connector and ground.

Connector	Terminals (Wire color)		Front lifting switch condition	Voltage (V) (Approx.)
	(+)	(-)		
B153	5 (LG)	Ground	DOWN	Battery voltage
			Other than above	0
	13 (Y)		UP	Battery voltage
			Other than above	0



#### OK or NG

- OK >> Replace front lifting motor.
- NG >> Replace driver seat control unit.

## Check Rear Lifting Motor Circuit

INFOID:000000001328114

### 1. CHECK REAR LIFTING MECHANISM

Check the following.

- Operation malfunction caused by lifter mechanism deformation or pinched harness or other foreign materials
- Operation malfunction caused by foreign materials adhered to the lifter motor or lead screws
- Operation malfunction and interference with other parts by poor installation

#### OK or NG

- OK >> • GO TO 2 (With CONSULT-III).  
           • GO TO 3 (Without CONSULT-III).
- NG >> Repair the malfunctioning part and check again.

### 2. CHECK FUNCTION

#### With CONSULT-III

Check operation with "SEAT LIFTER RR" in ACTIVE TEST.

Test item	Description
SEAT LIFTER RR	The rear end lifter motor is activated by receiving the drive signal.

#### OK or NG

# AUTOMATIC DRIVE POSITIONER

## < SERVICE INFORMATION >

- OK >> Rear lifting motor check is OK.  
 NG >> GO TO 3.

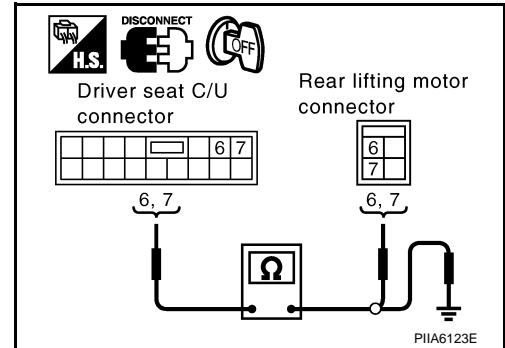
### 3. CHECK REAR LIFTING HARNESS CONTINUITY

1. Turn ignition switch OFF.
2. Disconnect driver seat control unit connector and rear lifting motor connector.
3. Check continuity between driver seat control unit connector B153 terminals 6, 7 and rear lifting motor connector B162 terminals 6, 7.

**6 (G/W) – 6 (G/W) : Continuity should exist.**  
**7 (G/B) – 7 (G/B) : Continuity should exist.**

4. Check continuity between driver seat control unit connector B153 terminals 6, 7 and ground.

**6 (G/W) – Ground : Continuity should not exist.**  
**7 (G/B) – Ground : Continuity should not exist.**



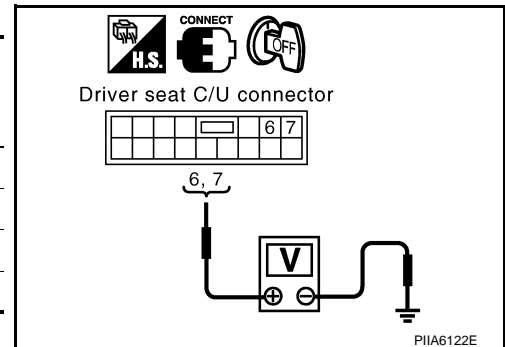
#### OK or NG

- OK >> GO TO 4.  
 NG >> Repair or replace harness between driver seat control unit and rear lifting motor.

### 4. CHECK DRIVER SEAT CONTROL UNIT OUTPUT SIGNAL

1. Connect the driver seat control unit connector.
2. Rear lifting switch operate, check voltage between driver seat control unit connector and ground.

Connector	Terminals (Wire color)		Rear lifting switch condition	Voltage (V) (Approx.)
	(+)	(-)		
B153	6 (G/W)	Ground	UP	Battery voltage
			Other than above	0
	7 (G/B)		DOWN	Battery voltage
			Other than above	0



#### OK or NG

- OK >> Replace rear lifting motor.  
 NG >> Replace driver seat control unit.

## Check Telescopic Motor Circuit

INFOID:000000001328115

### 1. CHECK STEERING WHEEL TELESCOPIC MECHANISM

Check following.

- Operation malfunction caused by steering wheel telescopic mechanism deformation or pinched harness or other foreign materials
- Operation malfunction and interference with other parts by poor installation

#### OK or NG

- OK >> • GO TO 2 (With CONSULT-III).  
 • GO TO 3 (Without CONSULT-III).  
 NG >> Repair the malfunctioning part and check again.

### 2. CHECK FUNCTION

#### With CONSULT-III

Check operation with "TELESCO MOTOR" in ACTIVE TEST.



# AUTOMATIC DRIVE POSITIONER

## < SERVICE INFORMATION >

Test item	Description
TELESCO MOTOR	The telescopic motor is activated by receiving the drive signal.

### OK or NG

- OK >> Steering telescopic motor circuit is OK.  
 NG >> GO TO 3.

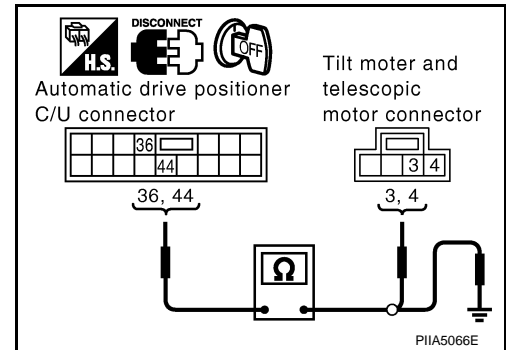
## 3.CHECK TELESCOPIC MOTOR HARNESS CONTINUITY

- Turn ignition switch OFF.
- Disconnect automatic drive positioner control unit and tilt motor and telescopic motor connector.
- Check continuity between automatic drive positioner control unit connector M50 terminals 36, 44 and tilt motor and telescopic motor connector M27 terminals 3, 4.

**36 (L/R) – 3 (L/R) : Continuity should exist.**  
**44 (L/W) – 4 (L/W) : Continuity should exist.**

- Check continuity between automatic drive positioner control unit connector M50 terminals 36, 44 and ground.

**36 (L/R) – Ground :Continuity should not exist.**  
**44 (L/W) – Ground :Continuity should not exist.**



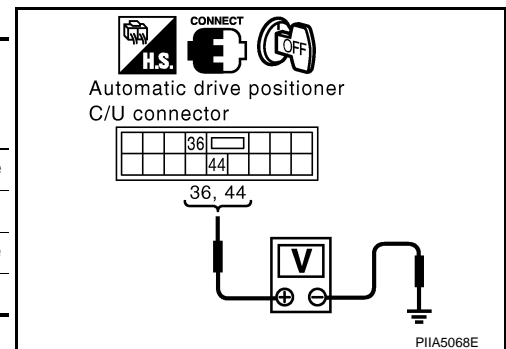
### OK or NG

- OK >> GO TO 4.  
 NG >> Repair or replace harness between automatic drive positioner control unit and tilt motor and telescopic motor.

## 4.CHECK BCM OUTPUT SIGNAL

- Connect the automatic drive positioner control unit connector.
- Telescopic switch operate, check voltage between automatic drive positioner control unit connector and ground.

Connector	Terminals (Wire color)		Telescopic switch condition	Voltage (V) (Approx.)
	(+)	(-)		
M50	36 (L/R)	Ground	FORWARD	Battery voltage
			Other than above	0
	44 (L/W)		BACKWARD	Battery voltage
			Other than above	0



### OK or NG

- OK >> Replace tilt and telescopic motor.  
 NG >> Replace automatic drive positioner control unit.

## Check Tilt Motor Circuit

INFOID:000000001328116

## 1.CHECK STEERING WHEEL TILT MECHANISM

Check following.

- Operation malfunction caused by steering wheel tilt mechanism deformation or pinched harness and other foreign materials
- Operation malfunction and interference with other parts by poor installation

### OK or NG

- OK >> • GO TO 2 (With CONSULT-III).  
 • GO TO 3 (Without CONSULT-III).  
 NG >> Repair the malfunctioning part.

# AUTOMATIC DRIVE POSITIONER

## < SERVICE INFORMATION >

### 2. CHECK FUNCTION

**With CONSULT-III**

Check operation with "TILT MOTOR" in ACTIVE TEST.

Test item	Description
TILT MOTOR	The tilt motor is activated by receiving the drive signal.

**OK or NG**

- OK >> Steering tilt motor circuit is OK.
- NG >> GO TO 3.

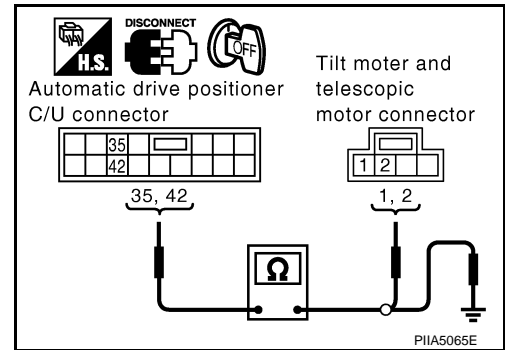
### 3. CHECK TILT MOTOR CIRCUIT HARNESS CONTINUITY

- Turn ignition switch OFF.
- Disconnect automatic drive positioner control unit connector and tilt and telescopic motor connector.
- Check continuity between automatic drive positioner control unit connector M50 terminals 35, 42 and tilt and telescopic motor connector M27 terminals 1, 2.

- 35 (R/L) – 1 (R/L) : Continuity should exist.**
- 42 (R/B) – 2 (R/B) : Continuity should exist.**

- Check continuity between automatic drive positioner control unit connector M50 terminals 35, 42 and ground.

- 35 (R/L) – Ground : Continuity should not exist.**
- 42 (R/B) – Ground : Continuity should not exist.**



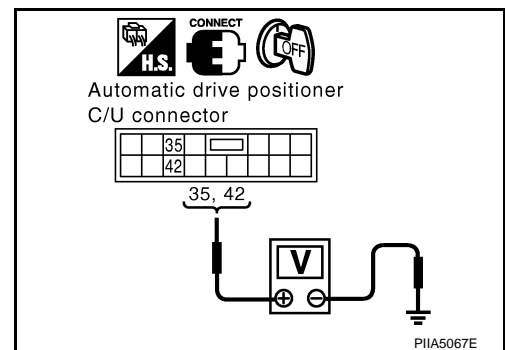
**OK or NG**

- OK >> GO TO 4.
- NG >> Repair or replace harness between automatic drive positioner control unit and tilt and telescopic motor.

### 4. CHECK BCM OUTPUT SIGNAL

- Connect automatic drive positioner control unit connector and tilt and telescopic motor connector.
- Tilt switch operate, check voltage between automatic drive positioner control unit connector and ground.

Connector	Terminals (Wire color)		Tilt switch condition	Voltage (V) (Approx.)
	(+)	(-)		
M50	35 (R/L)	Ground	UP	Battery voltage
			Other than above	0
	42 (R/B)		DOWN	Battery voltage
			Other than above	0



**OK or NG**

- OK >> Replace tilt and telescopic motor.
- NG >> Replace automatic drive positioner control unit.

## Check Driver Side Mirror Motor Circuit

INFOID:000000001328117

### 1. CHECK DOOR MIRROR FUNCTION

Check the following.  
Operation malfunction caused by a foreign object caught in door mirror face edge.

**OK or NG**

- OK >> • GO TO 2 (With CONSULT-III).  
• GO TO 3 (Without CONSULT-III).
- NG >> Repair the malfunctioning parts, and check the symptom again.

# AUTOMATIC DRIVE POSITIONER

## < SERVICE INFORMATION >

### 2. CHECK MIRROR MOTOR

#### With CONSULT-III

Check the operation with "MIRROR MOTOR LH" in the ACTIVE TEST.

Test item	Description
MIRROR MOTOR LH	The LH mirror motor moves the mirror UP/DOWN and LEFT/RIGHT by receiving the drive signal.

#### OK or NG

- OK >> Driver side mirror motor circuit is OK.
- NG >> GO TO 3.

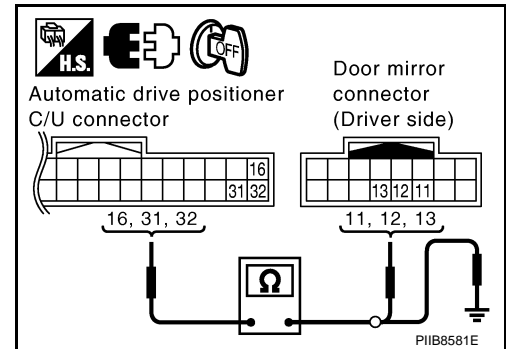
### 3. CHECK DOOR MIRROR MOTOR (DRIVER SIDE) HARNESS CONTINUITY

1. Turn ignition switch OFF.
2. Disconnect automatic drive positioner control unit connector and door mirror (driver side) connector.
3. Check continuity between automatic drive positioner control unit connector M49 terminal 16, 31, 32 and door mirror (driver side) connector D2 terminal 11, 12, 13.

- 16 (P) – 13 (P) : Continuity should exist.**
- 31 (R/W) – 11 (GY) : Continuity should exist.**
- 32 (G/B) – 12 (PU) : Continuity should exist.**

4. Check continuity between automatic drive positioner control unit connector M49 terminal 16, 31, 32 and ground.

- 16 (P) – Ground : Continuity should not exist.**
- 31 (R/W) – Ground : Continuity should not exist.**
- 32 (G/B) – Ground : Continuity should not exist.**



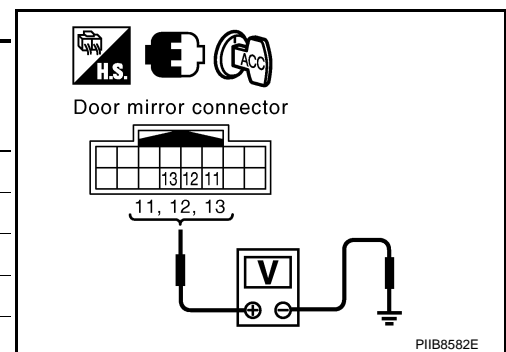
#### OK or NG

- OK >> GO TO 4.
- NG >> Repair or replace harness between automatic drive positioner control unit and door mirror (driver side).

### 4. CHECK MIRROR MOTOR SIGNAL

1. Connect automatic drive positioner control unit and door mirror (driver side) connector.
2. Turn ignition switch ACC.
3. Turn changeover switch LH position.
4. Mirror switch operate, check voltage between door mirror (driver side) connector and ground.

Connector	Terminals (Wire color)		Mirror switch condition	Voltage (V) (Approx.)
	(+)	(-)		
D2	11 (GY)	Ground	UP	Battery voltage
			Other than above	0
	12 (PU)		LEFT	Battery voltage
			Other than above	0
	13 (P)		DOWN or RIGHT	Battery voltage
			Other than above	0



#### OK or NG

- OK >> Replace door mirror motor (driver side).
- NG >> Check the condition of the harness and the connector.

# AUTOMATIC DRIVE POSITIONER

< SERVICE INFORMATION >

## Check Passenger Side Mirror Motor Circuit

INFOID:000000001328118

### 1. CHECK DOOR MIRROR FUNCTION

Check the following.

Operation malfunction caused by a foreign object caught in door mirror face edge.

OK or NG

- OK >> • GO TO 2 (With CONSULT-III).  
• GO TO 3 (Without CONSULT-III).

NG >> Repair the malfunctioning parts, and check the symptom again.

### 2. CHECK MIRROR MOTOR

 **With CONSULT-III**

Check the operation with "MIRROR MOTOR RH" in the ACTIVE TEST.

Test item	Description
MIRROR MOTOR RH	The RH mirror motor moves the mirror UP/DOWN and LEFT/RIGHT by receiving the drive signal.

OK or NG

- OK >> Passenger side mirror motor circuit is OK.  
NG >> GO TO 3.

### 3. CHECK DOOR MIRROR MOTOR (PASSENGER SIDE) HARNESS CONTINUITY

1. Turn ignition switch OFF.
2. Disconnect automatic drive positioner control unit connector and door mirror (passenger side) connector.
3. Check continuity between automatic drive positioner control unit connector M49 terminal 14, 15, 30 and door mirror (passenger side) connector D32 terminal 11, 12, 13.

- 14 (L/W) – 11 (PU) : Continuity should exist.**  
**15 (L/B) – 12 (OR) : Continuity should exist.**  
**30 (W/R) – 13 (GY) : Continuity should exist.**

4. Check continuity between automatic drive positioner control unit connector M49 terminal 14, 15, 30 and ground.

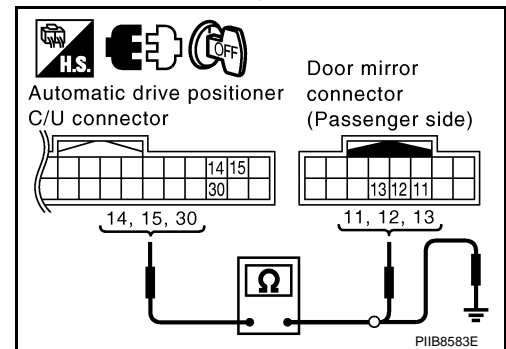
- 14 (L/W) – Ground : Continuity should not exist.**  
**15 (L/B) – Ground : Continuity should not exist.**  
**30 (W/R) – Ground : Continuity should not exist.**

OK or NG

- OK >> GO TO 4.  
NG >> Repair or replace harness between automatic drive positioner control unit and door mirror (passenger side).

### 4. CHECK MIRROR MOTOR SIGNAL

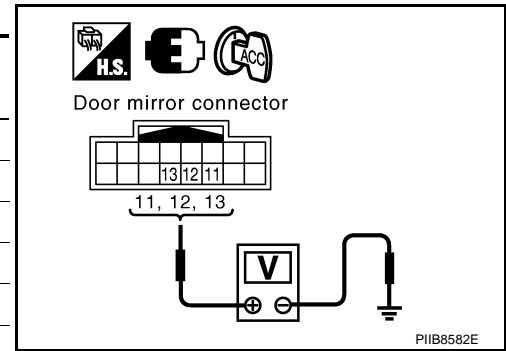
1. Connect automatic drive positioner control unit and door mirror (passenger side) connector.
2. Turn ignition switch ACC.
3. Turn changeover switch RH position.
4. Mirror switch operate, check voltage between door mirror (passenger side) connector and ground.



# AUTOMATIC DRIVE POSITIONER

## < SERVICE INFORMATION >

Connector	Terminals (Wire color)		Mirror switch condition	Voltage (V) (Approx.)
	(+)	(-)		
D32	11 (PU)	Ground	UP	Battery voltage
			Other than above	0
	12 (OR)		LEFT	Battery voltage
			Other than above	0
	13 (G/Y)		DOWN or RIGHT	Battery voltage
			Other than above	0



### OK or NG

- OK >> Replace door mirror motor (passenger side).
- NG >> Check the condition of the harness and connector.

## Check Sliding Sensor Circuit

INFOID:000000001328119

### 1. CHECK FUNCTION

#### With CONSULT-III

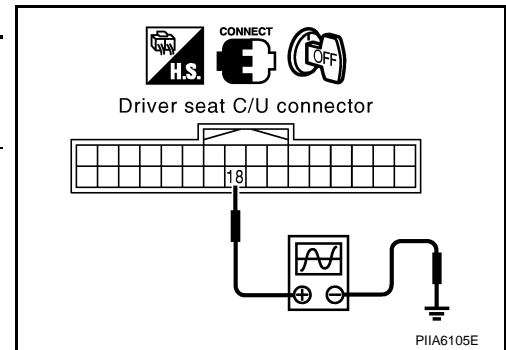
Check operation with "SLIDE PULSE" on the DATA MONITOR to make sure the pulse changes.

Monitor item [OPERATION or UNIT]	Contents
SLIDE PULSE	The seat sliding position (pulse) judged from the sliding sensor signal is displayed.

#### Without CONSULT-III

1. Turn ignition switch OFF.
2. Check signal between driver seat control unit connector and ground, with oscilloscope.

Connector	Terminals (Wire color)		Condition	Signal (Reference value)
	(+)	(-)		
B152	18 (G/L)	Ground	Sliding motor operation	<p style="text-align: right;">PIIA3277E</p>



### OK or NG

- OK >> Sliding sensor circuit is OK.
- NG >> GO TO 2.

### 2. CHECK SLIDING SENSOR HARNESS CONTINUITY

1. Disconnect driver seat control unit connector and sliding motor connector.

# AUTOMATIC DRIVE POSITIONER

## < SERVICE INFORMATION >

- Check continuity between driver seat control unit connector B152 terminals 18, 28C and sliding motor connector B161 terminals 18, 28.

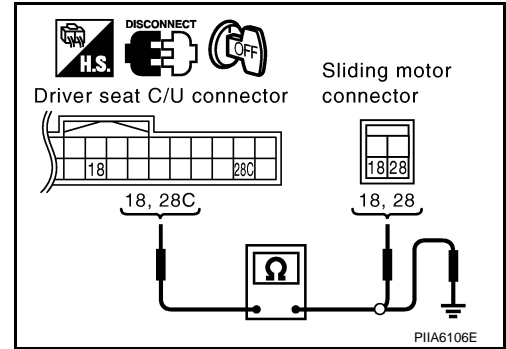
**18 (G/L) – 18 (G/L) : Continuity should exist.**

**28C (B/W) – 28 (B/W) : Continuity should exist.**

- Check continuity between driver seat control unit connector B152 terminals 18, 28C and ground.

**18 (G/L) – Ground : Continuity should not exist.**

**28C (B/W) – Ground : Continuity should not exist.**



### OK or NG

OK >> Replace sliding motor.

NG >> Repair or replace harness between driver seat control unit and sliding motor.

## Check Reclining Sensor Circuit

INFOID:000000001328120

### 1. CHECK FUNCTION

#### With CONSULT-III

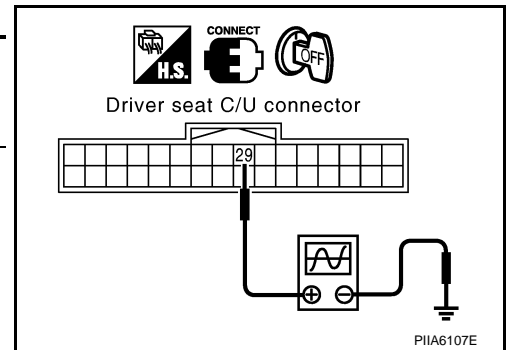
Check operation with "RECLINING PULSE" on the DATA MONITOR to make sure the pulse changes.

Monitor item [OPERATION or UNIT]	Contents
RECLN PULSE	The seat reclining position (pulse) judged from the reclining sensor is displayed

#### Without CONSULT-III

- Turn ignition switch OFF.
- Check signal between driver seat control unit connector and ground, with oscilloscope.

Connector	Terminals (Wire color)		Condition	Signal (Reference value)
	(+)	(-)		
B152	29 (G)	Ground	Reclining motor operation	<p style="text-align: right; font-size: small;">SIA0692J</p>



### OK or NG

OK >> Reclining sensor circuit is OK.

NG >> GO TO 2.

### 2. CHECK RECLINING SENSOR HARNESS CONTINUITY

- Disconnect driver seat control unit connector and reclining motor connector.

# AUTOMATIC DRIVE POSITIONER

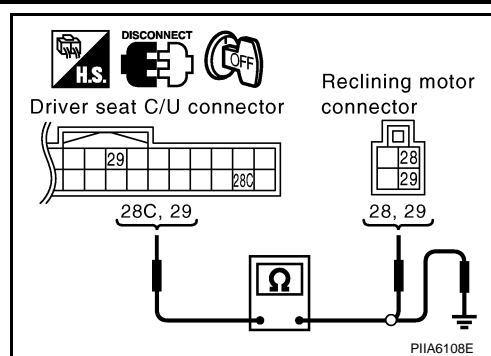
## < SERVICE INFORMATION >

- Check continuity between driver seat control unit connector B152 terminals 28C, 29 and reclining motor connector B166 terminals 28, 29.

**28C (B/W) – 28 (B/W) : Continuity should exist.**  
**29 (G) – 29 (G) : Continuity should exist.**

- Check continuity between driver seat control unit connector B152 terminals 28C, 29 and ground.

**28C (B/W) – Ground : Continuity should not exist.**  
**29 (G) – Ground : Continuity should not exist.**



### OK or NG

- OK >> Replace reclining motor.
- NG >> Repair or replace harness between connectors driver seat control unit and reclining motor.

## Check Front Lifting Sensor Circuit

INFOID:000000001328121

### 1. CHECK FUNCTION

#### With CONSULT-III

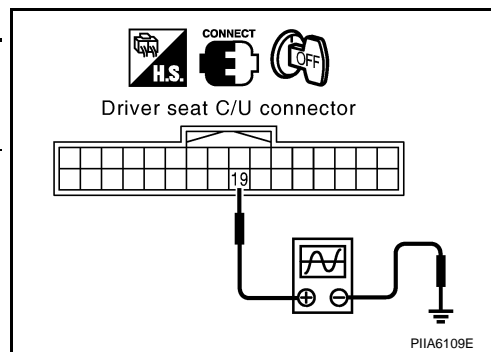
Check operation with “LIFT FR PULSE” on the DATA MONITOR to make sure the pulse changes.

Monitor item [OPERATION or UNIT]	Contents
LIFT FR PULSE	The front lifting position (pulse) judged from the front lifting sensor is displayed

#### Without CONSULT-III

- Turn ignition switch OFF.
- Check signal between driver seat control unit connector and ground, with oscilloscope.

Connector	Terminals (Wire color)		Condition	Signal (Reference value)
	(+)	(-)		
B152	19 (G/R)	Ground	Front lifting motor operation	<p style="text-align: right; font-size: small;">SIIA0691J</p>



### OK or NG

- OK >> Front lifting sensor circuit is OK.
- NG >> GO TO 2.

### 2. CHECK FRONT LIFTING SENSOR HARNESS CONTINUITY

- Disconnect driver seat control unit connector and front lifting motor connector.

# AUTOMATIC DRIVE POSITIONER

## < SERVICE INFORMATION >

2. Check continuity between driver seat control unit connector B152 terminals 19, 28C and front lifting motor connector B164 terminals 19, 28A.

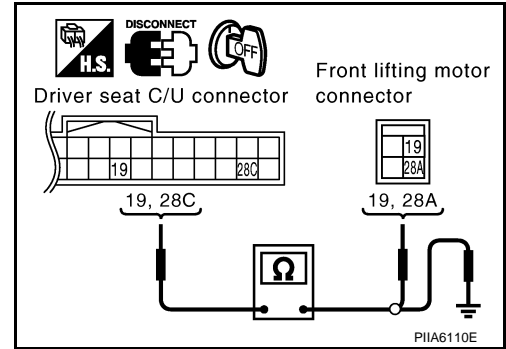
**19 (G/R) – 19 (G/R) : Continuity should exist.**

**28C (B/W) – 28A (B/W) : Continuity should exist.**

3. Check continuity between driver seat control unit connector B152 terminals 19, 28C and ground.

**19 (G/R) – Ground : Continuity should not exist.**

**28C (B/W) – Ground : Continuity should not exist.**



### OK or NG

OK >> Replace front lifting motor.

NG >> Repair or replace harness between driver seat control unit and front lifting motor.

## Check Rear Lifting Sensor Circuit

INFOID:000000001328122

### 1. CHECK REAR LIFTING SENSOR INPUT/OUTPUT SIGNAL

#### With CONSULT-III

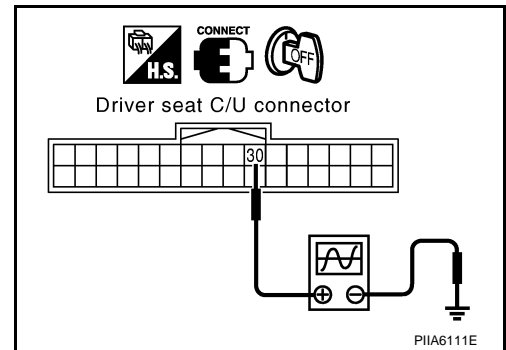
Check operation with "LIFT RP PULSE" on the DATA MONITOR to make sure pulse changes.

Monitor item [OPERATION or UNIT]	Contents
LIFT RR PULSE	The rear lifting position (pulse) judged from the rear lifting sensor is displayed.

#### Without CONSULT-III

- Turn ignition switch OFF.
- Check signal between driver seat control unit connector ground, with oscilloscope.

Connector	Terminals (Wire color)		Condition	Signal (Reference value)
	(+)	(-)		
B152	30 (R/W)	Ground	Rear lifting motor operation	<p style="text-align: right;">S1IA0693J</p>



### OK or NG

OK >> Rear lifting sensor circuit is OK.

NG >> GO TO 2.

### 2. CHECK REAR LIFTING SENSOR HARNESS CONTINUITY

- Disconnect driver seat control unit connector and rear lifting motor connector.



# AUTOMATIC DRIVE POSITIONER

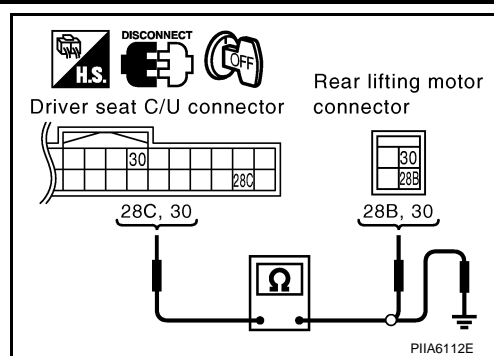
## < SERVICE INFORMATION >

- Check continuity between driver seat control unit connector B152 terminals 28C, 30 and rear lifting motor connector B162 terminals 28B, 30.

**28C (B/W) – 28B (B/W) : Continuity should exist.**  
**30 (R/W) – 30 (R/W) : Continuity should exist.**

- Check continuity between driver seat control unit connector B152 terminals 28C, 30 and ground.

**28C (B/W) – Ground : Continuity should not exist.**  
**30 (R/W) – Ground : Continuity should not exist.**



### OK or NG

- OK >> Replace rear lifting motor.
- NG >> Repair or replace harness between driver seat control unit and rear lifting motor.

## Check Telescopic Sensor Circuit

INFOID:000000001328123

### 1. CHECK FUNCTION

#### With CONSULT-III

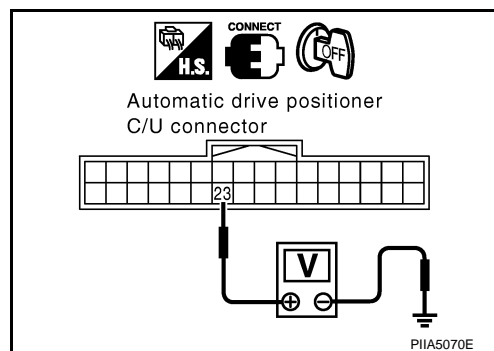
Operate the telescopic switch with “TELESCO SEN” on the DATA MONITOR to make sure the voltage changes.

Monitor item [OPERATION or UNIT]		Contents
TELESCO SEN	“V”	The telescoping position (voltage) judged from the telescoping sensor signal is displayed.

#### Without CONSULT-III

- Turn ignition switch OFF.
- Check voltage between automatic drive positioner control unit connector and ground.

Connector	Terminals (Wire color)		Condition	Voltage (V) (Approx.)
	(+)	(-)		
M49	23 (Y/B)	Ground	Telescopic top position	1
			Telescopic bottom position	4



### OK or NG

- OK >> Telescopic sensor circuit is OK.
- NG >> GO TO 2.

### 2. CHECK HARNESS CONTINUITY

- Disconnect automatic drive positioner control unit connector and tilt sensor and telescopic sensor connector.

# AUTOMATIC DRIVE POSITIONER

## < SERVICE INFORMATION >

- Check continuity harness between automatic drive positioner control unit connector M49 terminals 23 and tilt sensor and telescopic sensor connector M28 terminals 3.

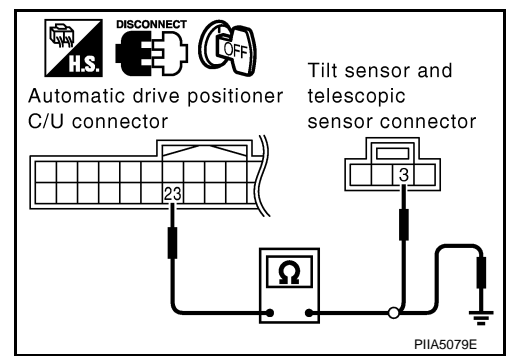
**23 (Y/B) – 3 (Y/B) : Continuity should exist.**

- Check continuity harness between automatic drive positioner control unit connector M49 terminals 23 and ground.

**23 (Y/B) – Ground : Continuity should not exist.**

**OK or NG**

- OK >> Replace tilt sensor and telescopic sensor.
- NG >> Repair or replace harness between automatic drive positioner control unit and tilt sensor and telescopic sensor.



## Check Tilt Sensor Circuit

INFOID:000000001328124

### 1. CHECK TILT SENSOR

**With CONSULT-III**

With "TILT SEN" on the DATA MONITOR, operate the tilt switch to make sure voltage changes.

Monitor item [OPERATION or UNIT]	Contents
TILT SEN	"V" The tilt position (voltage) judged from the tilt sensor signal is displayed.

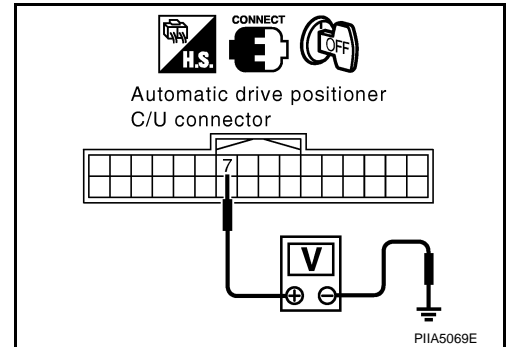
**Without CONSULT-III**

- Turn ignition switch OFF.
- Check voltage between automatic drive positioner control unit connector and ground.

Connector	Terminals (Wire color)		Condition	Voltage (V) (Approx.)
	(+)	(-)		
M49	7 (Y/R)	Ground	Tilt top position	2
			Tilt bottom position	4

**OK or NG**

- OK >> Tilt sensor circuit is OK.
- NG >> GO TO 2.



### 2. CHECK HARNESS

- Disconnect automatic drive positioner control unit connector and tilt sensor and telescopic sensor connector.
- Check continuity harness between automatic drive positioner control unit connector M49 terminals 7 and tilt sensor and telescopic sensor connector M28 terminals 2.

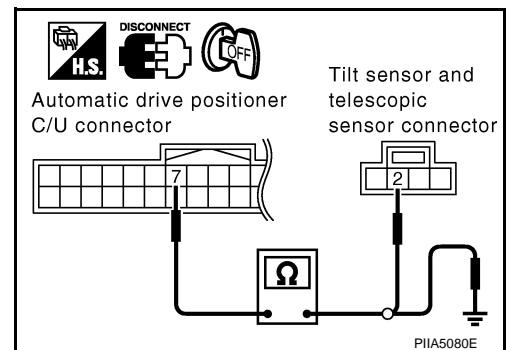
**7 (Y/R) – 2 (Y/R) : Continuity should exist.**

- Check continuity harness between automatic drive positioner control unit connector M49 terminals 7 and ground.

**7 (Y/R) – Ground : Continuity should not exist.**

**OK or NG**

- OK >> Replace tilt sensor and telescopic sensor.
- NG >> Repair or replace harness between automatic drive positioner control unit and tilt sensor and telescopic sensor.



# AUTOMATIC DRIVE POSITIONER

< SERVICE INFORMATION >

## Check Driver Side Mirror Sensor Circuit

INFOID:000000001328125

### 1. CHECK DOOR MIRROR FUNCTION

Check the following.

Operation malfunction in memory control

**NOTE:**

If a door mirror face position is set to an implausible angle, the set position may not be reproduced.

OK or NG

OK >> GO TO 2.

NG >> Repair the malfunctioning parts, and check the symptom again.

### 2. CHECK MIRROR SENSOR INSPECTION

**With CONSULT-III**

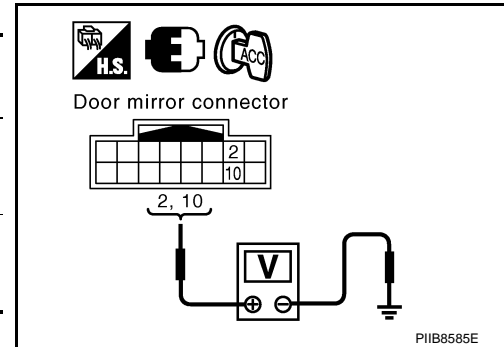
Make sure "ON" is displayed on "MIR/SE LH R-L, MIR/SE LH U-D" in the DATA MONITOR.

Monitor item [OPERATION or UNIT]		Contents
MIR/SE LH R-L	"V"	Voltage output from LH door mirror sensor (LH/RH) is displayed.
MIR/SE LH U-D	"V"	Voltage output from LH door mirror sensor (UP/DOWN) is displayed.

**Without CONSULT-III**

- Turn ignition switch to ACC position.
- Check voltage between door mirror (driver side) connector and ground.

Con- nector	Terminals (Wire color)		Condition	Voltage (V) (Approx.)
	(+)	(-)		
D2	2 (W)	Ground	When motor is UP or DOWN operation	Changes between 3 (close to perk) – 1 (close to valley)
	10 (LG)		When motor is LEFT or RIGHT operation	Changes between 3 (close to right edge) – 1 (close to left edge)



OK or NG

OK >> Driver side mirror sensor circuit is OK.

NG >> GO TO 3.

### 3. CHECK HARNESS CONTINUITY 1

- Turn ignition switch OFF.
- Disconnect automatic drive positioner control unit and door mirror (driver side) connector.
- Check continuity between automatic drive positioner control unit connector M50 terminals 33, 41 and door mirror (driver side) connector D2 terminals 1, 9.

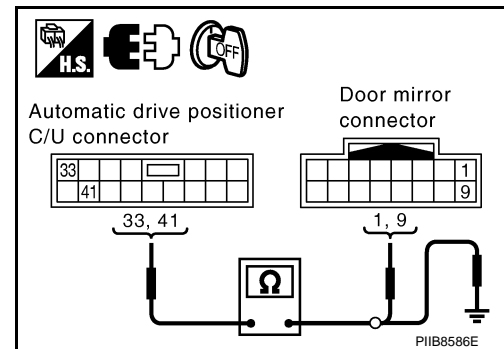
**33 (G/W) – 1 (OR) : Continuity should exist.**

**41 (B/Y) – 9 (BR) : Continuity should exist.**

- Check continuity between automatic drive positioner control unit connector M49 terminals 33, 41 and ground.

**33 (G/W) – Ground : Continuity should not exist.**

**41 (B/Y) – Ground : Continuity should not exist.**



OK or NG

OK >> GO TO 3.

# AUTOMATIC DRIVE POSITIONER

## < SERVICE INFORMATION >

NG >> Repair or replace harness between automatic drive positioner control unit and door mirror (driver side).

### 4. CHECK HARNESS CONTINUITY 2

1. Check continuity between automatic drive positioner control unit connector M49 terminal 6, 22 and door mirror (driver side) connector D2 terminal 2, 10.

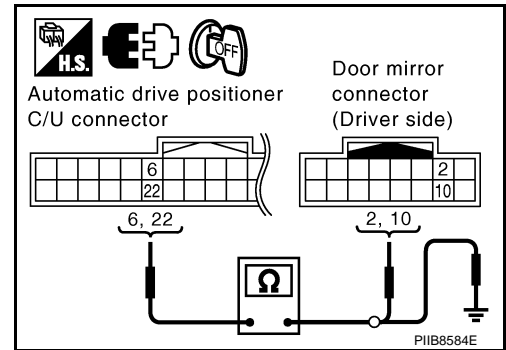
**6 (P/L) – 2 (W) : Continuity should exist.**

**22 (L/Y) – 10 (LG) : Continuity should exist.**

2. Check continuity between automatic drive positioner control unit connector M49 terminal 6, 22 and ground.

**6 (P/L) – Ground : Continuity should not exist.**

**22 (L/Y) – Ground : Continuity should not exist.**



### OK or NG

OK >> Check the condition of the harness and connector.

NG >> Repair or replace harness between automatic drive positioner control unit and door mirror (driver side).

## Check Passenger Side Mirror Sensor Circuit

INFOID:000000001328126

### 1. CHECK DOOR MIRROR FUNCTION

Check the following.

Operation malfunction in memory control

#### NOTE:

If a door mirror face position is set to an implausible angle, the set position may not be reproduced.

### OK or NG

OK >> GO TO 2.

NG >> Repair the malfunctioning parts, and check the symptom again.

### 2. CHECK MIRROR SENSOR INSPECTION

#### Ⓜ With CONSULT-III

Make sure "ON" is displayed on "MIR/SE RH R-L, MIR/SE RH U-D" in the DATA MONITOR.

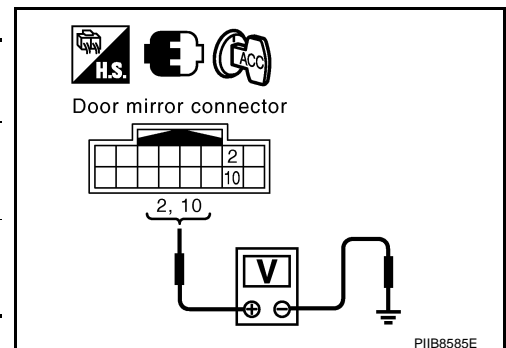
Monitor item [OPERATION or UNIT]		Contents
MIR/SE RH R-L	"V"	Voltage output from RH door mirror sensor (LH/RH) is displayed.
MIR/SE RH U-D	"V"	Voltage output from RH door mirror sensor (UP/DOWN) is displayed.

#### ⓧ Without CONSULT-III

1. Turn ignition switch to ACC position.

2. Check voltage between door mirror (passenger side) connector and ground.

Con- nector	Terminals (Wire color)		Condition	Voltage (V) (Approx.)
	(+)	(-)		
D32	2 (LG)	Ground	When motor is UP or DOWN operation	Changes between 3 (close to perk) – 1 (close to valley)
	10 (P)		When motor is LEFT or RIGHT operation	Changes between 1 (close to left edge) – 3 (close to right edge)



### OK or NG

OK >> Passenger side mirror sensor circuit is OK.

# AUTOMATIC DRIVE POSITIONER

## < SERVICE INFORMATION >

NG >> GO TO 3.

### 3. CHECK HARNESS CONTINUITY 1

1. Disconnect automatic drive positioner control unit and door mirror (passenger side) connector.
2. Check continuity between automatic drive positioner control unit connector M50 terminal 33, 41 and door mirror (passenger side) connector D32 terminal 1, 9.

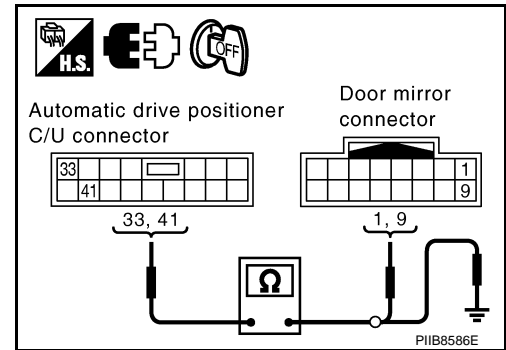
**33 (G/W) – 1 (BR) : Continuity should exist.**

**41 (B/Y) – 9 (G) : Continuity should exist.**

3. Check continuity between automatic drive positioner control unit connector M50 terminals 33, 41 and ground.

**33 (G/W) – Ground : Continuity should not exist.**

**41 (B/Y) – Ground : Continuity should not exist.**



#### OK or NG

OK >> GO TO 3.

NG >> Repair or replace harness between automatic drive positioner control unit and door mirror (passenger side).

### 4. CHECK HARNESS CONTINUITY 2

1. Check continuity between automatic drive positioner control unit connector M49 terminal 5, 21 and door mirror (passenger side) connector D32 terminal 2, 10.

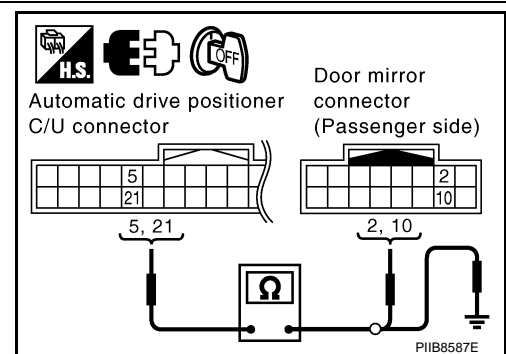
**5 (OR) – 2 (LG) : Continuity should exist.**

**21 (G/Y) – 10 (P) : Continuity should exist.**

2. Check continuity between automatic drive positioner control unit connector M49 terminal 5, 21 and ground.

**5 (OR) – Ground : Continuity should not exist.**

**21 (G/Y) – Ground : Continuity should not exist.**



#### OK or NG

OK >> Check the condition of the harness and connector.

NG >> Repair or replace harness between automatic drive positioner control unit and door mirror (passenger side).

## Check Steering and Door Mirror Sensor Power Supply and Ground Circuit INFOID:000000001328127

### 1. CHECK STEERING AND DOOR MIRROR SENSOR POWER SUPPLY

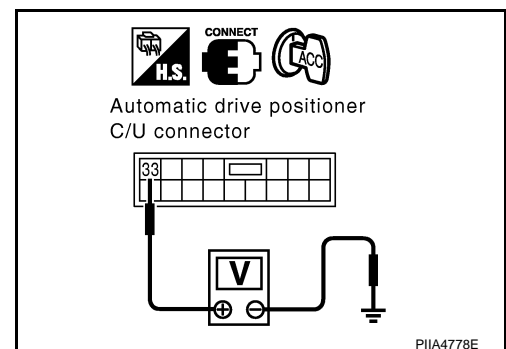
1. Turn ignition switch OFF.
2. Check voltage between automatic drive positioner control unit connector M50 terminal 33 and ground.

**33 (G/W) – Ground : Approx. 5V**

#### OK or NG

OK >> GO TO 2.

NG >> Replace automatic drive positioner control unit.



### 2. CHECK STEERING AND DOOR MIRROR SENSOR GROUND CIRCUIT

# AUTOMATIC DRIVE POSITIONER

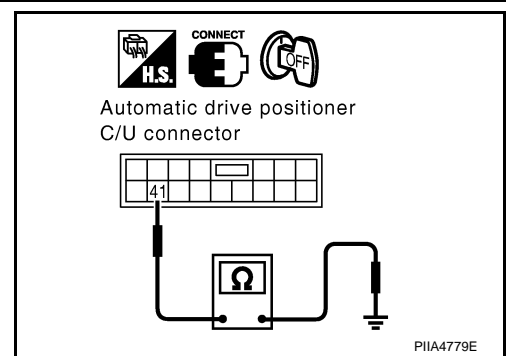
## < SERVICE INFORMATION >

Check continuity between automatic drive positioner control unit connector M50 terminal 41 and ground.

**41 (B/Y) – Ground : Continuity should exist.**

### OK or NG

- OK >> • GO TO 3. (Door mirror sensor)  
 • GO TO 4. (Steering sensor)
- NG >> Replace automatic drive positioner control unit.



## 3. CHECK HARNESS CONTINUITY (DOOR MIRROR SENSOR)

1. Disconnect automatic drive positioner control unit and door mirror (driver side or passenger side) connector.
2. Check continuity between automatic drive positioner control unit connector M50 terminal 33, 41 and door mirror connector D2 (driver side) or D32 (passenger side) terminal 1, 9.

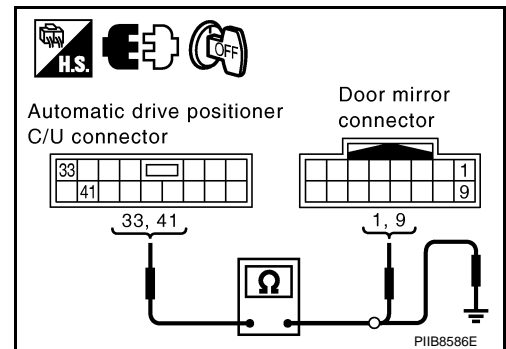
**33 (G/W) – 1 (OR) : Continuity should exist.**

**41 (B/Y) – 9 (BR) : Continuity should exist.**

3. Check continuity between automatic drive positioner control unit connector M50 terminal 33, 41 and ground.

**33 (G/W) – Ground : Continuity should not exist.**

**41 (B/Y) – Ground : Continuity should not exist.**



### OK or NG

- OK >> Check the condition of the harness and connector.
- NG >> Repair or replace harness between automatic drive positioner control unit and door mirror (driver side or passenger side).

## 4. CHECK HARNESS CONTINUITY (STEERING SENSOR)

1. Disconnect automatic drive positioner control unit and tilt sensor and telescopic sensor connector.
2. Check continuity between automatic drive positioner control unit connector M50 terminal 33, 41 and tilt sensor and telescopic sensor connector M28 terminal 1, 4.

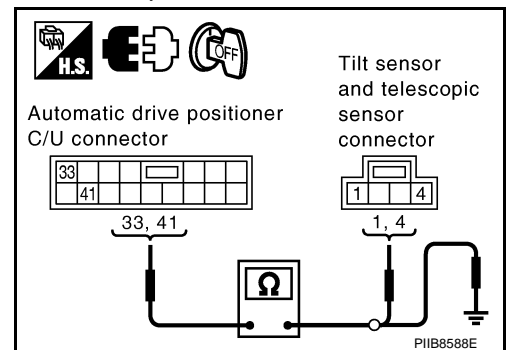
**33 (G/W) – 1 (G/W) : Continuity should exist.**

**41 (B/Y) – 4 (B/Y) : Continuity should exist.**

3. Check continuity between automatic drive positioner control unit connector M50 terminal 33, 41 and ground.

**33 (G/W) – Ground : Continuity should not exist.**

**41 (B/Y) – Ground : Continuity should not exist.**



### OK or NG

- OK >> Check the condition of the harness and connector.
- NG >> Repair or replace harness between automatic drive positioner control unit and tilt sensor and telescopic sensor.

## Check Front Door Switch (Driver Side) Circuit

INFOID:000000001328128

## 1. CHECK FUNCTION (WITH CONSULT-III)

### With CONSULT-III

Touch "BCM" with "DOOR SW-DR" on the DATA MONITOR, check ON/OFF operation when the driver door is open and closed. \*: Refer to [BL-36, "CONSULT-III Function \(BCM\)"](#).

# AUTOMATIC DRIVE POSITIONER

## < SERVICE INFORMATION >

Monitor item [OPERATION or UNIT]		Contents
DOOR SW* DR	"ON/ OFF"	Door open (ON)/door closed (OFF) status judged from the driver door switch is displayed.

### OK or NG

- OK >> Front door switch (driver side) circuit is OK.
- NG >> GO TO 2.

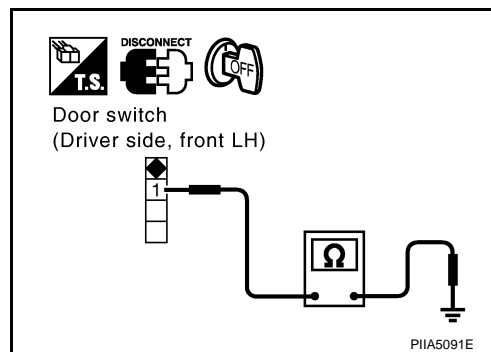
## 2.CHECK FRONT DOOR SWITCH (DRIVER SIDE)

1. Turn ignition switch OFF.
2. Disconnect front door switch connector.
3. Check continuity between front door switch connector and ground part of door switch.

Terminals		Door switch	Continuity
1	Ground part of door switch	Pushed	No
		Released	Yes

### OK or NG

- OK >> GO TO 3.
- NG >> Replace front door switch (driver side).



## 3.CHECK FRONT DOOR (DRIVER SIDE) HARNESS CONTINUITY

1. Disconnect BCM connector.
2. Check continuity between BCM connector B14 terminal 62 and front door switch connector B26 terminal 1.

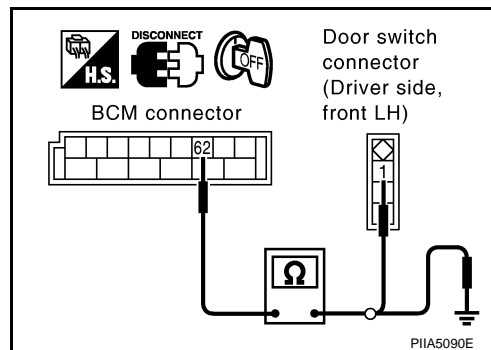
**62 (W) – 1 (W) : Continuity should exist.**

3. Check continuity between BCM connector B14 terminal 62 and ground.

**62 (W) – Ground : Continuity should not exist.**

### OK or NG

- OK >> Front door switch (driver side) circuit is OK.
- NG >> Repair or replace harness between BCM and front door switch (driver side).



## Check Sliding Switch Circuit

INFOID:000000001328129

### 1.CHECK FUNCTION

#### With CONSULT-III

With "SLIDE SW-FR, SLIDE SW-RR" on the DATA MONITOR, operate the sliding switch to check ON/OFF operation.

Monitor item [OPERATION or UNIT]		Contents
SLIDE SW – FR	"ON/ OFF"	ON/OFF status judged from the sliding switch (FR) signal is displayed.
SLIDE SW – RR	"ON/ OFF"	ON/OFF status judged from the sliding switch (RR) signal is displayed.

#### Without CONSULT-III

1. Turn ignition switch OFF.

# AUTOMATIC DRIVE POSITIONER

## < SERVICE INFORMATION >

2. Sliding switch operate, check voltage between driver seat control unit connector and ground.

Connector	Terminals (Wire color)		Sliding switch condition	Voltage (V) (Approx.)
	(+)	(-)		
B152	24 (L/R)	Ground	FORWARD	0
			Other than above	Battery voltage
	37 (W)		BACKWARD	0
			Other than above	Battery voltage

**OK or NG**

- OK >> Sliding switch circuit is OK.
- NG >> GO TO 2.

## 2.CHECK HARNESS CONTINUITY

- Disconnect driver seat control unit connector and power seat switch connector.
- Check continuity between driver seat control unit connector B152 terminals 24, 37 and power seat switch connector B175 terminals 24, 37.

- 24 (L/R) – 24 (L/R) : Continuity should exist.**
- 37 (W) – 37 (W) : Continuity should exist.**

- Check continuity between driver seat control unit connector B152 terminals 24, 37 and ground.

- 24 (L/R) – Ground : Continuity should not exist.**
- 37 (W) – Ground : Continuity should not exist.**

**OK or NG**

- OK >> GO TO 3.
- NG >> Repair or replace harness between driver seat control unit and power seat switch.

## 3.CHECK SLIDING SWITCH

Sliding switch operate, check continuity between power seat switch connector B175 terminal 24, 27 and 61B.

Connector	Terminal	Sliding switch condition	Continuity
B175	24	FORWARD	Yes
		Other than above	No
	37	BACKWARD	Yes
		Other than above	No

**OK or NG**

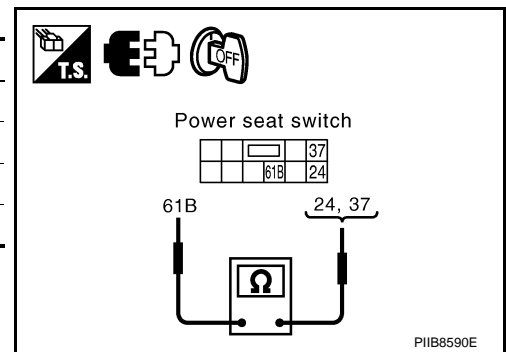
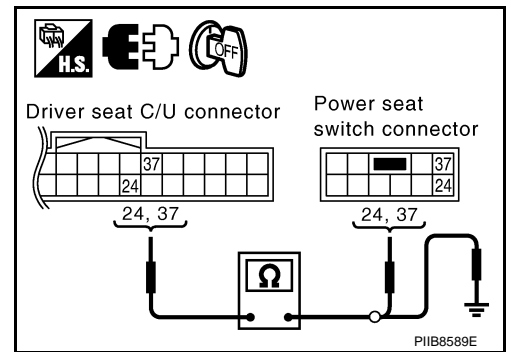
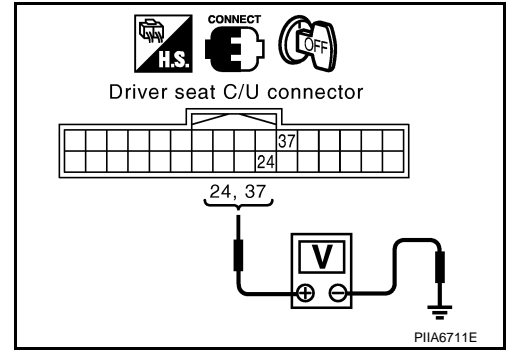
- OK >> Check the condition of the harness and connector.
- NG >> Replace power seat switch.

## Check Reclining Switch Circuit

### 1.CHECK FUNCTION

**With CONSULT-III**

With "RECLINING SW-FR, RECLINING SW-RR" on the DATA MONITOR, operate the reclining switch to check ON/OFF operation.



INFOID:000000001328130



# AUTOMATIC DRIVE POSITIONER

## < SERVICE INFORMATION >

Monitor item [OPERATION or UNIT]		Contents
RECLN SW – FR	“ON/ OFF”	ON/OFF status judged from the reclining switch (FR) signal is displayed.
RECLN SW – RR	“ON/ OFF”	ON/OFF status judged from the reclining switch (RR) signal is displayed.

### ⊗ Without CONSULT-III

- Turn ignition switch OFF.
- Reclining switch operate, check voltage between driver seat control unit connector and ground.

Connector	Terminals (Wire color)		Reclining switch condition	Voltage (V) (Ap- prox.)
	(+)	(-)		
B152	25 (L/OR)	Ground	FORWARD	0
			Other than above	Battery voltage
	38 (LG/B)		BACKWARD	0
			Other than above	Battery voltage

### OK or NG

- OK >> Reclining switch circuit is OK.  
 NG >> GO TO 2.

## 2. CHECK HARNESS CONTINUITY

- Disconnect driver seat control unit connector and power seat switch connector.
- Check continuity between driver seat control unit connector B152 terminals 25, 38 and power seat switch connector B175 terminals 25, 38.

**25 (L/OR) – 25 (L/OR) : Continuity should exist.**

**38 (LG/B) – 38 (LG/B) : Continuity should exist.**

- Check continuity between driver seat control unit connector B152 terminals 25, 38 and ground.

**25 (L/OR) – Ground : Continuity should not exist.**

**38 (LG/B) – Ground : Continuity should not exist.**

### OK or NG

- OK >> GO TO 3.  
 NG >> Repair or replace harness between driver seat control unit and power seat switch.

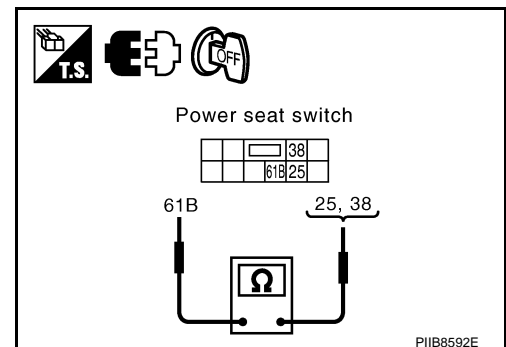
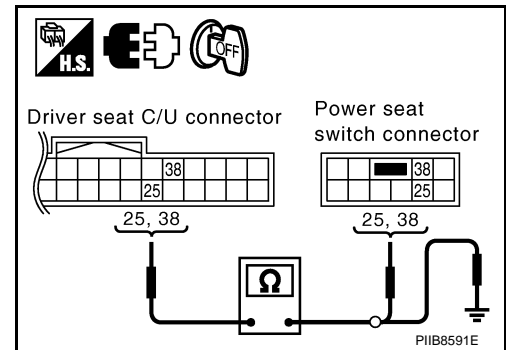
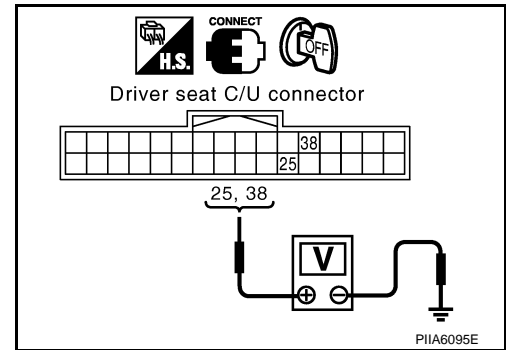
## 3. CHECK RECLINING SWITCH

Reclining switch operate, check continuity between power seat switch connector B175 terminal 25, 38 and 61B.

Connector	Terminal	Reclining switch condition	Continuity
B175	25	FORWARD	Yes
		Other than above	No
	38	BACKWARD	Yes
		Other than above	No

### OK or NG

- OK >> Check the condition of the harness and connector.  
 NG >> Replace power seat switch.



# AUTOMATIC DRIVE POSITIONER

< SERVICE INFORMATION >

## Check Front Lifting Switch Circuit

INFOID:000000001328131

### 1. CHECK FUNCTION

#### ④ With CONSULT-III

With "LIFT FR SW-UP, LIFT FR SW-DN" on the DATA MONITOR, operate the front lifting switch to check ON/OFF operation.

Monitor item [OPERATION or UNIT]		Contents
LIFT FR SW – DN	"ON/OFF"	ON/OFF status judged from the FR lifter switch (DOWN) signal is displayed.
LIFT RR SW – UP	"ON/OFF"	ON/OFF status judged from the RR lifter switch (UP) signal is displayed.

#### ⊗ Without CONSULT-III

1. Turn ignition switch OFF.
2. Front lifting switch operate, check voltage between driver seat control unit connector and ground.

Connector	Terminals (Wire color)		Front lifting switch condition	Voltage (V) (Ap- prox.)
	(+)	(-)		
B152	26 (L/P)	Ground	UP	0
			Other than above	Battery voltage
	39 (L/G)		DOWN	0
			Other than above	Battery voltage

#### OK or NG

- OK >> Front lifting switch circuit is OK.  
 NG >> GO TO 2.

### 2. CHECK HARNESS CONTINUITY

1. Disconnect driver seat control unit connector and power seat switch connector.
2. Check continuity between driver seat control unit connector B152 terminals 26, 39 and power seat switch connector B175 terminals 26, 39.

**26 (L/P) – 26 (L/P) : Continuity should exist.**

**39 (L/G) – 39 (L/G) : Continuity should exist.**

3. Check continuity between driver seat control unit connector B152 terminals 26, 39 and ground

**26 (L/P) – Ground : Continuity should not exist.**

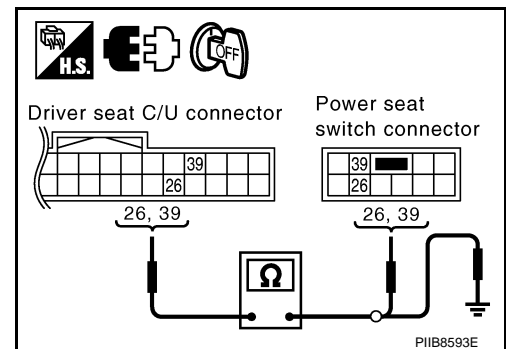
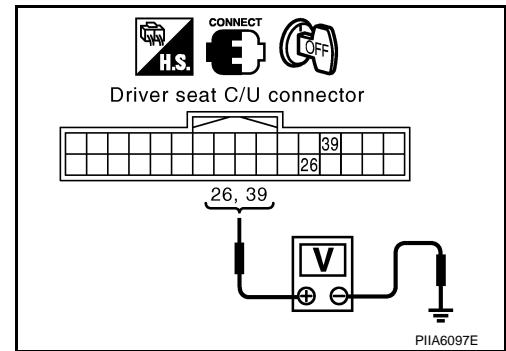
**39 (L/G) – Ground : Continuity should not exist.**

#### OK or NG

- OK >> GO TO 3.  
 NG >> Repair or replace harness between driver seat control unit and power seat switch.

### 3. CHECK FRONT LIFTING SWITCH

Front lifting switch operate, check continuity between power seat switch connector B175 terminal 26, 39 and 61B.



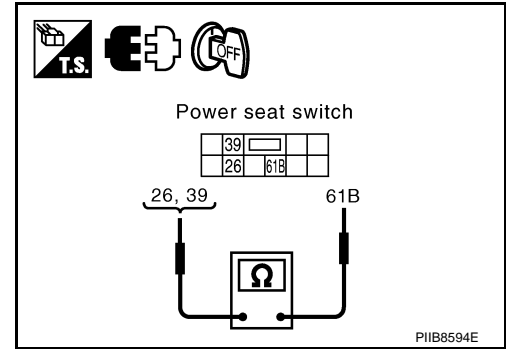
# AUTOMATIC DRIVE POSITIONER

## < SERVICE INFORMATION >

Connector	Terminals		Front lifting switch condition	Continuity
B175	26	61B	UP	Yes
			Other than above	No
	39		DOWN	Yes
			Other than above	No

### OK or NG

- OK >> Check the condition of the harness and connector.
- NG >> Replace power seat switch.



INFOID:000000001328132

## Check Rear Lifting Switch Circuit

### 1. CHECK FUNCTION

#### With CONSULT-III

With "LIFT RR SW-UP, LIFT RR SW-DN" on the DATA MONITOR, operate the rear lifting switch to check ON/OFF operation.

Monitor item [OPERATION or UNIT]		Contents
LIFT RR SW-UP	"ON/OFF"	(ON/OFF) status judged from the RR lifter switch (UP) signal is displayed.
LIFT RR SW-DN	"ON/OFF"	(ON/OFF) status judged from the RR lifter switch (DOWN) signal is displayed.

#### Without CONSULT-III

1. Turn ignition switch OFF.
2. Rear lifting switch operate, check voltage between driver seat control unit connector and ground.

Connector	Terminals (Wire color)		Rear lifting switch condition	Voltage (V) (Ap- prox.)
	(+)	(-)		
B152	27 (L)	Ground	UP	0
			Other than above	Battery voltage
	40 (L/Y)		DOWN	0
			Other than above	Battery voltage

### OK or NG

- OK >> Rear seat lifting switch circuit is OK.
- NG >> GO TO 2.

### 2. CHECK REAR LIFTING SWITCH HARNESS CONTINUITY

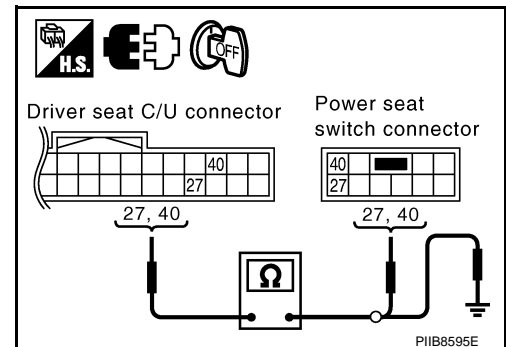
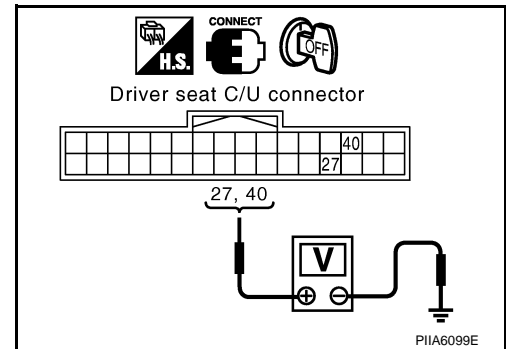
1. Disconnect driver seat control unit connector and power seat switch connector.
2. Check continuity between driver seat control unit connector B152 terminals 27, 40 and power seat switch connector B175 terminals 27, 40.

**27 (L) – 27 (L) : Continuity should exist.**  
**40 (L/Y) – 40 (L/Y) : Continuity should exist.**

3. Check continuity between driver seat control unit connector B152 terminals 27, 40 and ground.

**27 (L) – Ground : Continuity should not exist.**  
**40 (L/Y) – Ground : Continuity should not exist.**

### OK or NG



# AUTOMATIC DRIVE POSITIONER

## < SERVICE INFORMATION >

- OK >> GO TO 3.
- NG >> Repair or replace harness between driver seat control unit and power seat switch.

### 3. CHECK REAR LIFTING SWITCH

Rear lifting switch operate, check continuity between power seat switch connector B175 terminal 27, 40 and 61B.

Connector	Terminal	Rear lifting switch condition	Continuity
B175	27	UP	Yes
		Other than above	No
	40	DOWN	Yes
		Other than above	No

#### OK or NG

- OK >> Check the condition of the harness and connector.
- NG >> Replace power seat switch.

### Check Power Seat Switch Ground Circuit

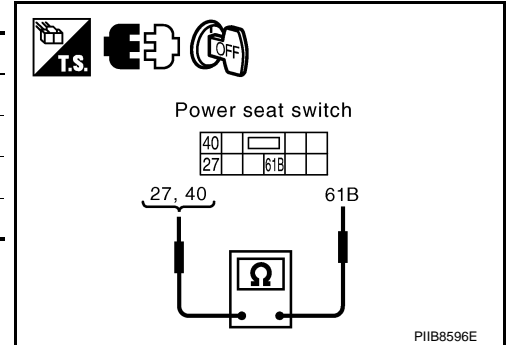
#### 1. CHECK POWER SEAT SWITCH GROUND CIRCUIT

1. Turn ignition switch OFF.
2. Disconnect power seat switch connector.
3. Check continuity between power seat switch connector B175 terminal 61B and ground.

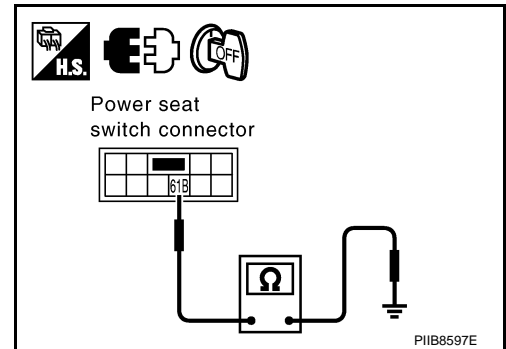
**61B (B/Y) – Ground : Continuity should exist.**

#### OK or NG

- OK >> Check the condition of the harness and connector.
- NG >> Repair or replace harness between power seat switch and ground.



INFOID:000000001328133



INFOID:000000001328134

### Check Telescopic Switch Circuit

#### 1. CHECK FUNCTION

##### Ⓟ With CONSULT-III

With "TELESCO SW-FR, TELESCO SW-RR" on the DATA MONITOR, operate the ADP steering switch to check ON/OFF operation.

Monitor item [OPERATION or UNIT]		Contents
TELESCO SW-FR	"ON/OFF"	(ON/OFF) status judged from the telescoping switch (FR) signal is displayed.
TELESCO SW-RR	"ON/OFF"	(ON/OFF) status judged from the telescoping switch (RR) signal is displayed.

##### ⓧ Without CONSULT-III

1. Turn ignition switch OFF.
2. Telescopic switch operate, check voltage between automatic drive positioner control unit connector and ground.

# AUTOMATIC DRIVE POSITIONER

## < SERVICE INFORMATION >

Connector	Terminals (Wire color)		Telescopic switch condition	Voltage (V) (Approx.)
	(+)	(-)		
M49	11 (BR)	Ground	FORWARD	0
			Other than above	5
	27 (LG)		BACKWARD	0
			Other than above	5

### OK or NG

- OK >> Telescopic switch circuit is OK.  
 NG >> GO TO 2.

## 2. CHECK TELESCOPIC CIRCUIT HARNESS CONTINUITY

- Disconnect automatic drive positioner control unit connector and ADP steering switch connector.
- Check continuity between automatic drive positioner control unit connector M49 terminals 11, 27 and ADP steering switch connector M13 terminals 4, 5.

- 11 (BR) – 5 (BR) : Continuity should exist.**  
**27 (LG) – 4 (LG) : Continuity should exist.**

- Check continuity between automatic drive positioner control unit connector M49 terminals 11, 27 and ground.

- 11 (BR) – Ground : Continuity should not exist.**  
**27 (LG) – Ground : Continuity should not exist.**

### OK or NG

- OK >> GO TO 3.  
 NG >> Repair or replace harness between automatic drive positioner control unit and ADP steering switch.

## 3. CHECK TELESCOPIC SWITCH

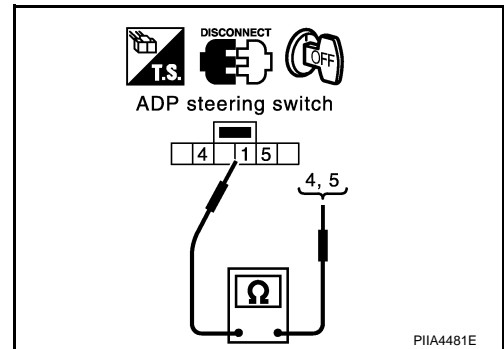
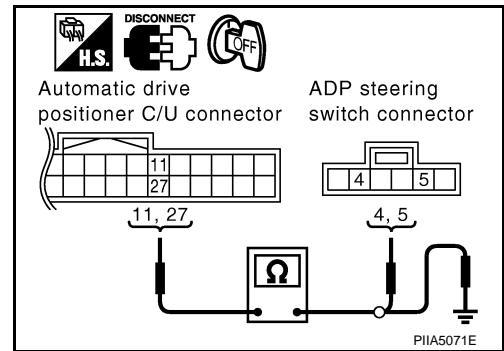
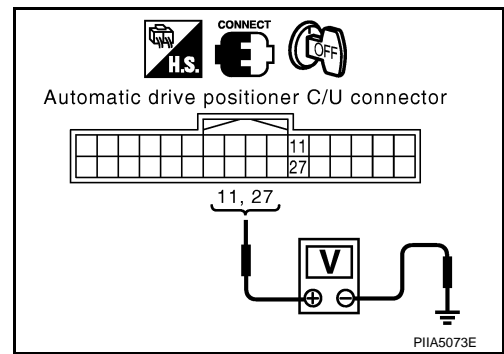
ADP steering switch operate, check continuity between ADP steering switch connector M13 terminal 4, 5 and 1.

Connector	Terminal	ADP steering switch condition	Continuity
M13	5	FORWARD	Yes
		Other than above	No
	4	BACKWARD	Yes
		Other than above	No

### OK or NG

- OK >> GO TO 4.  
 NG >> Replace ADP steering switch.

## 4. CHECK ADP STEERING SWITCH GROUND CIRCUIT



# AUTOMATIC DRIVE POSITIONER

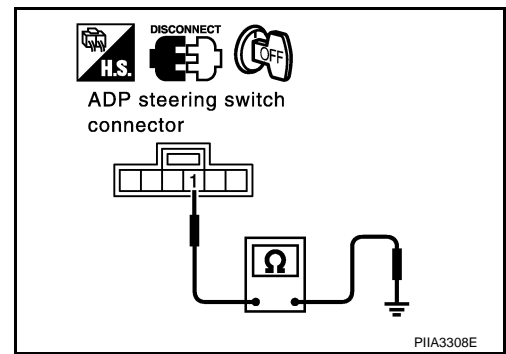
## < SERVICE INFORMATION >

Check continuity between ADP steering switch connector M13 terminal 1 and ground.

**1 (B) – Ground : Continuity should exist.**

### OK or NG

- OK >> Check the condition of the harness and connector.
- NG >> Replace or replace harness between ADP steering switch and ground.



INFOID:000000001328135

## Check Tilt Switch Circuit

### 1. CHECK FUNCTION

#### With CONSULT-III

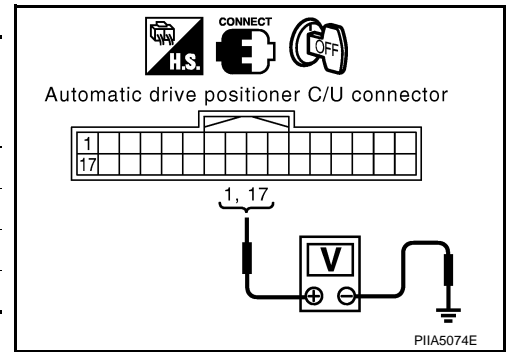
With "TILT SW-UP, TILT SW-DOWN" on the DATA MONITOR, operate the ADP steering switch to check ON/OFF operation.

Monitor item [OPERATION or UNIT]		Contents
TILT SW-UP	"ON/OFF"	(ON/OFF) status judged from the tilt switch (UP) signal is displayed.
TILT SW-DOWN	"ON/OFF"	(ON/OFF) status judged from the tilt switch (DOWN) signal is displayed.

#### Without CONSULT-III

1. Turn ignition switch OFF.
2. Tilt switch operate, check voltage between automatic drive positioner control unit connector and ground.

Connector	Terminals (Wire color)		Tilt switch condition	Voltage (V) (Approx.)
	(+)	(-)		
M49	1 (R)	Ground	UP	0
			Other than above	5
	17 (R/B)		DOWN	0
			Other than above	5



### OK or NG

- OK >> Tilt switch circuit is OK.
- NG >> GO TO 2.

### 2. CHECK TILT SWITCH CIRCUIT HARNESS CONTINUITY

1. Disconnect automatic drive positioner control unit connector and ADP steering switch connector.
2. Check continuity between automatic drive positioner control unit connector M49 terminals 1, 17 and ADP steering switch connector M13 terminals 2, 3.

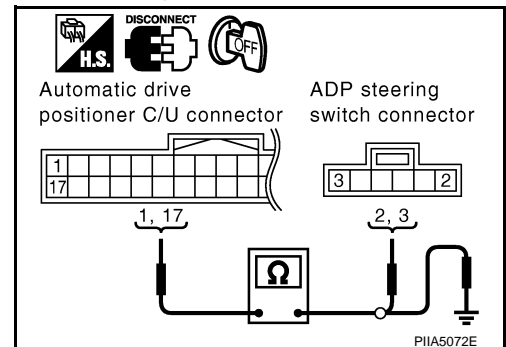
**1 (R) – 2 (R) : Continuity should exist.**

**17 (R/B) – 3 (R/B) : Continuity should exist.**

3. Check continuity between automatic drive positioner control unit connector M49 terminals 1, 17 and ground.

**1 (R) – Ground : Continuity should not exist.**

**17 (R/B) – Ground : Continuity should not exist.**



### OK or NG

# AUTOMATIC DRIVE POSITIONER

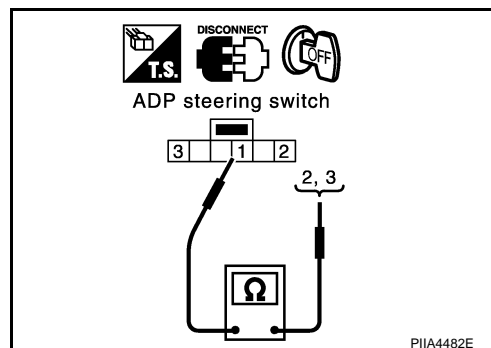
## < SERVICE INFORMATION >

- OK >> GO TO 3.
- NG >> Repair or replace harness between automatic drive positioner control unit and ADP steering switch.

### 3. CHECK ADP TILT STEERING SWITCH

ADP steering switch operate, check continuity between ADP steering switch.

Connector	Terminal	ADP steering switch condition	Continuity
M13	2	UP	Yes
		Other than above	No
	3	DOWN	Yes
		Other than above	No



#### OK or NG

- OK >> GO TO 6.
- NG >> Replace ADP steering switch.

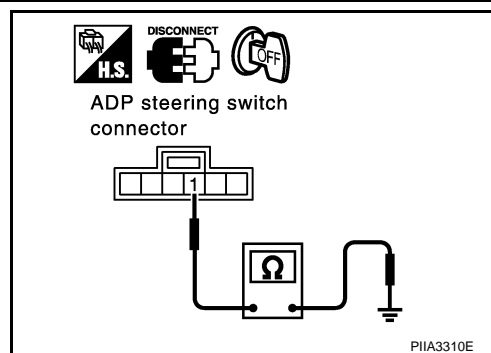
### 4. CHECK ADP STEERING SWITCH GROUND CIRCUIT

Check continuity between ADP steering switch connector M13 terminal 1 and ground.

**1 (B) – Ground : Continuity should exist.**

#### OK or NG

- OK >> Check the condition of the harness and connector.
- NG >> Repair or replace harness between ADP steering switch and ground.



## Check Door Mirror Remote Control Switch (Changeover Switch) Circuit

INFOID:000000001328136

### 1. CHECK FUNCTION

#### With CONSULT-III

Check the operation on "MIR CHNG SW-R" or "MIR CHNG SW-L" in the DATA MONITOR.

Monitor item [OPERATION or UNIT]		Contents
MIR CHNG SW-R	"ON/ OFF"	ON/OFF status judged from the door mirror remote control switch (switching to RIGHT) signal is displayed.
MIR CHNG SW-L	"ON/ OFF"	ON/OFF status judged from the door mirror remote control switch (switching to LEFT) signal is displayed.

#### Without CONSULT-III

1. Turn ignition switch ACC.
2. Changeover switch operate, check voltage between automatic drive positioner control unit connector and ground.

# AUTOMATIC DRIVE POSITIONER

## < SERVICE INFORMATION >

Connector	Terminals (Wire color)		Changeover switch condition	Voltage (V) (Approx.)
	(+)	(-)		
M49	2 (G/W)	Ground	RIGHT	0
			Other than above	5
	18 (L/OR)		LEFT	0
			Other than above	5

### OK or NG

- OK >> Door mirror remote control switch (changeover switch) circuit is OK.  
 NG >> GO TO 2.

## 2. CHECK CHANGEOVER SWITCH CIRCUIT HARNESS CONTINUITY

- Turn ignition switch OFF.
- Disconnect automatic drive positioner control unit and door mirror remote control switch connector.
- Check continuity between automatic drive positioner control unit connector M49 terminal 2, 18 and door mirror remote control switch connector M18 terminal 2, 3.

**2 (G/W) – 3 (G/W) : Continuity should exist.**  
**18 (L/OR) – 2 (L/OR) : Continuity should exist.**

- Check continuity between automatic drive positioner control unit connector M49 terminal 2, 18 and ground.

**2 (G/W) – Ground : Continuity should not exist.**  
**18 (L/OR) – Ground : Continuity should not exist.**

### OK or NG

- OK >> GO TO 3.  
 NG >> Repair or replace harness between automatic drive positioner control unit and door remote control switch.

## 3. CHECK DOOR MIRROR REMOTE CONTROL SWITCH GROUND CIRCUIT

Check continuity between door mirror remote control switch connector M18 terminal 13 and ground.

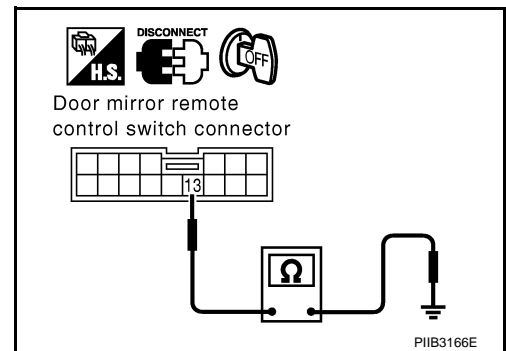
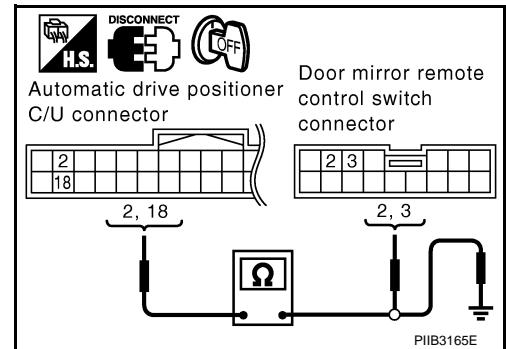
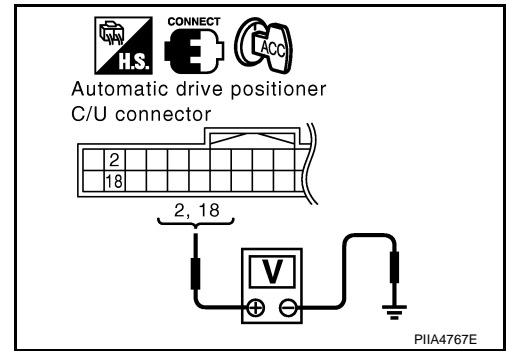
**13 (B) – Ground : Continuity should exist.**

### OK or NG

- OK >> GO TO 4.  
 NG >> Repair or replace harness.

## 4. CHECK DOOR MIRROR REMOTE CONTROL SWITCH (CHANGEOVER SWITCH)

Changeover switch operate, check continuity between door mirror remote control switch connector M18 terminal 2, 3 and 13.

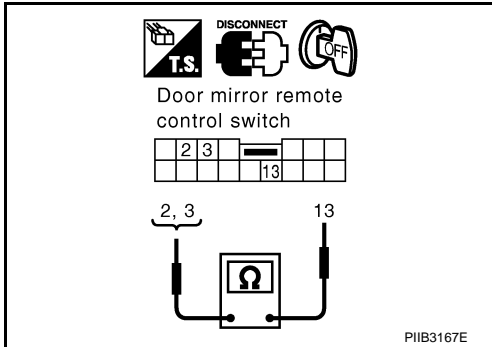




# AUTOMATIC DRIVE POSITIONER

## < SERVICE INFORMATION >

Connector	Terminal		Changeover switch condition	Continuity
M18	3	13	RIGHT	Yes
			Other than above	No
	2		LEFT	Yes
			Other than above	No



### OK or NG

- OK >> Check the condition of the harness and the connector.
- NG >> Replace door mirror remote control switch.

## Check Door Mirror Remote Control Switch (Mirror Switch) Circuit

INFOID:000000001328137

### 1. CHECK DOOR MIRROR REMOTE CONTROL SWITCH (MIRROR SWITCH) SIGNAL

#### With CONSULT-III

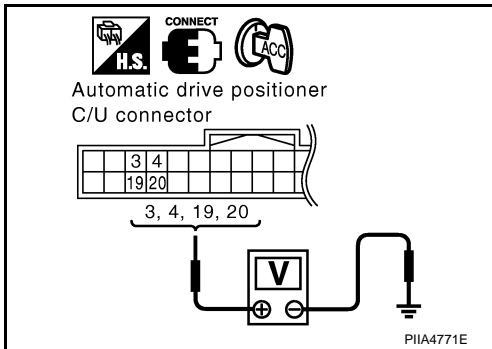
Check the operation on "MIR CON SW-UP/DN" and "MIR CON SW-RH/LH" in the DATA MONITOR.

Monitor item [OPERATION or UNIT]	Contents
MIR CON SW-UP	"ON/OFF" ON/OFF status judged from the door mirror remote control switch (UP) signal is displayed.
MIR CON SW-DN	"ON/OFF" ON/OFF status judged from the door mirror remote control switch (DOWN) signal is displayed.
MIR CON SW-RH	"ON/OFF" ON/OFF status judged from the door mirror remote control switch (RIGHT) signal is displayed.
MIR CON SW-LH	"ON/OFF" ON/OFF status judged from the door mirror remote control switch (LEFT) signal is displayed.

#### Without CONSULT-III

1. Turn ignition switch ACC.
2. Mirror switch operate, check voltage between automatic drive positioner control unit connector and ground.

Connector	Terminals (Wire color)		Mirror switch condition	Voltage (V) (Approx.)
	(+)	(-)		
M49	3 (GY)	Ground	UP	0
			Other than above	5
	4 (Y)		LEFT	0
			Other than above	5
	19 (GY/L)		DOWN	0
			Other than above	5
	20 (PU)		RIGHT	0
			Other than above	5



### OK or NG

- OK >> Door mirror remote control switch (mirror switch) circuit is OK.
- NG >> GO TO 2.

### 2. CHECK HARNESS CONTINUITY

1. Turn ignition switch OFF.
2. Disconnect automatic drive positioner control unit and door mirror remote control switch connector.

# AUTOMATIC DRIVE POSITIONER

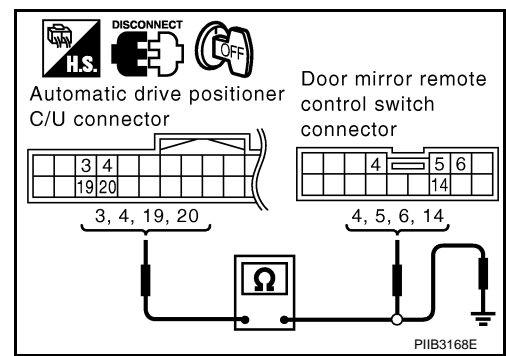
## < SERVICE INFORMATION >

3. Check continuity between automatic drive positioner control unit connector M49 terminal 3, 4, 19, 20 and door mirror remote control switch connector M18 terminal 4, 5, 6, 14.

- 3 (GY) – 6 (GY) : Continuity should exist.**
- 4 (Y) – 5 (Y) : Continuity should exist.**
- 19 (GY/L) – 14 (GY/L) : Continuity should exist.**
- 20 (PU) – 4 (PU) : Continuity should exist.**

4. Check continuity between automatic drive positioner control unit connector M49 terminal 3, 4, 19, 20 and ground.

- 3 (GY) – Ground : Continuity should not exist.**
- 4 (Y) – Ground : Continuity should not exist.**
- 19 (GY/L) – Ground : Continuity should not exist.**
- 20 (PU) – Ground : Continuity should not exist.**



### OK or NG

OK >> GO TO 4.

NG >> Repair or replace harness between automatic drive positioner control unit and door mirror remote control switch.

## 3.CHECK DOOR MIRROR REMOTE CONTROL SWITCH GROUND CIRCUIT

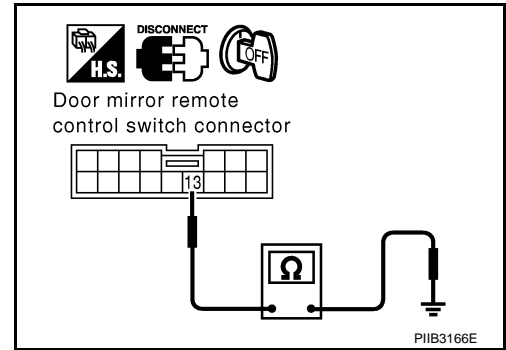
Check continuity between door mirror remote control switch connector M18 terminal 13 and ground.

- 13 (B) – Ground : Continuity should exist.**

### OK or NG

OK >> GO TO 4.

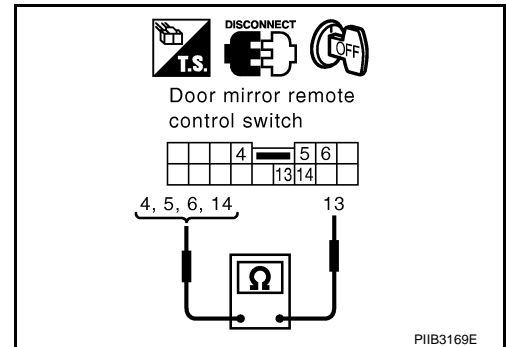
NG >> Repair or replace harness.



## 4.CHECK DOOR MIRROR REMOTE CONTROL SWITCH (MIRROR SWITCH)

Mirror switch operate, check continuity between door mirror remote control switch connector M18 terminal 4, 5, 6, 14 and 13.

Connector	Terminal	Mirror switch condition	Continuity
M18	4	RIGHT	Yes
		Other than above	No
	5	LEFT	Yes
		Other than above	No
	6	UP	Yes
		Other than above	No
	14	DOWN	Yes
		Other than above	No



### OK or NG

OK >> Check the condition of the harness and the connector.

NG >> Replace door mirror remote control switch.

## Check A/T Device (Park Position Switch) Circuit

INFOID:000000001328138

## 1.CHECK FUNCTION

# AUTOMATIC DRIVE POSITIONER

## < SERVICE INFORMATION >

### With CONSULT-III

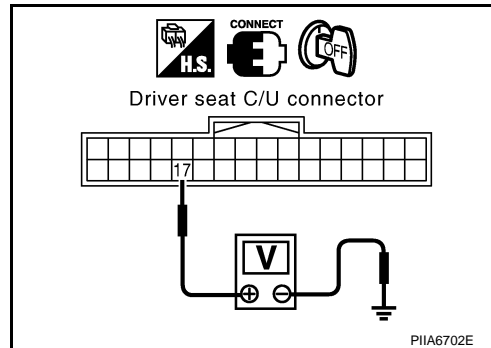
Make sure when the A/T selector lever is in P position, "P POSI SW" on the DATA MONITOR becomes ON.

Monitor item [OPERATION or UNIT]		Contents
P POSI SW	"ON/ OFF"	The selector lever position "P position (ON)/other than P position (OFF)" judged from the park position switch signal is displayed.

### Without CONSULT-III

1. Turn ignition switch OFF.
2. Check voltage between drive seat control unit connector and ground.

Connector	Terminals (Wire color)		Condition	Voltage (V) (Approx.)
	(+)	(-)		
B152	17 (PU)	Ground	Selector lever sifted to P position.	0
			Selector lever other than P position.	Battery voltage



#### OK or NG

- OK >> Park position switch circuit is OK.  
 NG >> GO TO 2.

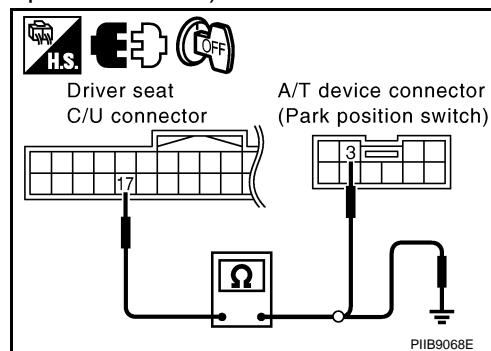
## 2. CHECK PARK POSITION SWITCH POWER SUPPLY CIRCUIT HARNESS

1. Turn ignition switch OFF.
2. Disconnect driver seat control unit connector and A/T device (park position switch) connector.
3. Check continuity between driver seat control unit connector B152 terminal 17 and A/T device (park position switch) connector M67 terminal 3.

**17 (PU) – 3 (R/Y) : Continuity should exist.**

4. Check continuity between driver seat control unit connector B152 terminal 17 and ground.

**17 (PU) – Ground : Continuity should not exist.**



#### OK or NG

- OK >> GO TO 3.  
 NG >> Repair or replace harness between driver seat control unit and A/T device (park position switch).

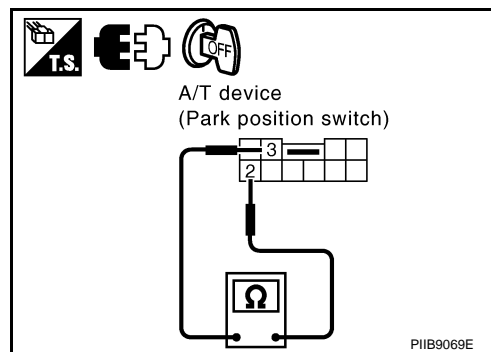
## 3. CHECK A/T DEVICE (PARK POSITION SWITCH)

Check continuity between A/T device (park position switch) connector M67 terminal 2 and 3.

Connector	Terminal		Condition	Continuity
M67	2	3	P position	Yes
			Other than P position	No

#### OK or NG

- OK >> GO TO 4.  
 NG >> Replace A/T device (park position switch).



## 4. CHECK A/T DEVICE (PARK POSITION SWITCH) GROUND HARNESS

# AUTOMATIC DRIVE POSITIONER

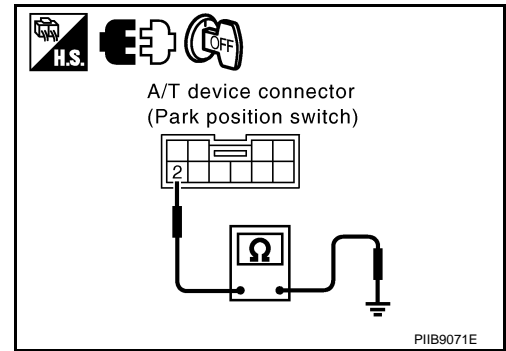
## < SERVICE INFORMATION >

Check continuity between A/T device (park position switch) connector M67 terminal 2 and ground.

**2 (B) – Ground : Continuity should exist.**

### OK or NG

- OK >> Check the condition of the harness and connector.
- NG >> Repair or replace harness between A/T device (park position switch) and ground.



INFOID:000000001328139

## Check Key Switch Circuit (With Intelligent Key)

### 1. CHECK KEY SWITCH POWER SUPPLY CIRCUIT

#### With CONSULT-III

Touch "BCM". With "IGN KEY SW" on the DATA MONITOR, Check ON/OFF operation.

\*: Refer to [BL-36, "CONSULT-III Function \(BCM\)"](#).

Monitor item [OPERATION or UNIT]	Contents
IGN KEY SW* "ON/OFF"	Key inserted (ON)/key removed (OFF) status judged from the key-in detection switch is displayed.

### OK or NG

- OK >> Key switch circuit is OK.
- NG >> GO TO 2.

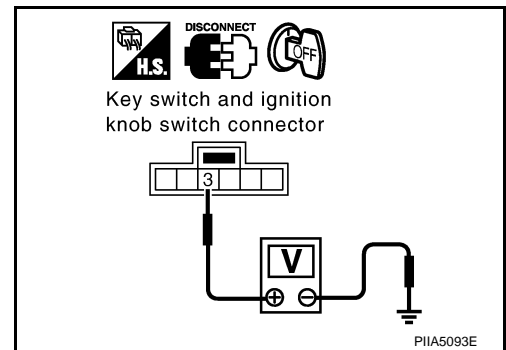
### 2. CHECK KEY SWITCH POWER SUPPLY CIRCUIT

1. Turn ignition switch OFF.
2. Disconnect key switch and ignition knob switch connector.
3. Check voltage between key switch and ignition knob switch connector M22 terminal 3 and ground.

**3 (L/R) – Ground : Battery voltage.**

### OK or NG

- OK >> GO TO 3.
- NG >> Check harness between key switch and fuse.



### 3. CHECK KEY SWITCH

Check continuity between key switch and ignition knob switch connector M22 terminal 3 and 4.

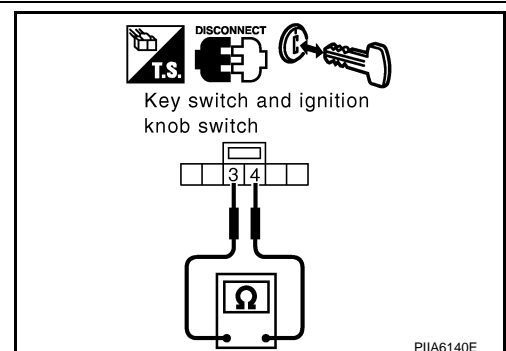
Connector	Terminal	Condition	Continuity
M22	3 4	Key is inserted in ignition key cylinder.	Yes
		Key is removed from ignition key cylinder.	No

### OK or NG

- OK >> GO TO 4.
- NG >> Replace key switch and ignition knob switch.

### 4. CHECK HARNESS CONTINUITY

1. Disconnect key switch and ignition knob switch connector and BCM connector.



# AUTOMATIC DRIVE POSITIONER

## < SERVICE INFORMATION >

- Check continuity between key switch and ignition knob switch connector M22 terminal 4 and BCM connector M3 terminal 37.

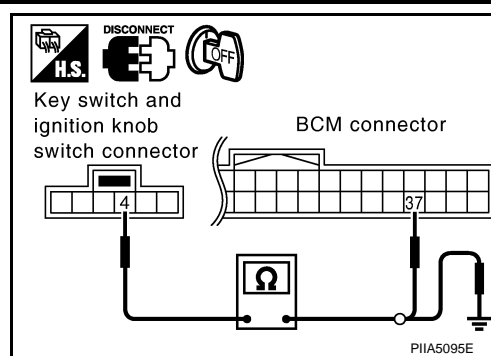
**4 (B/W) – 37 (B/W) : Continuity should exist.**

- Check continuity between key switch and ignition knob switch connector M22 terminal 4 and ground.

**4 (B/W) – Ground : Continuity should not exist.**

### OK or NG

- OK >> Key switch circuit is OK.
- NG >> Repair or replace harness between key switch and ignition knob switch and BCM.



## Check Key Switch Circuit (Without Intelligent Key)

INFOID:000000001328140

### 1. CHECK KEY SWITCH

#### With CONSULT-III

Touch "BCM". With "IGN KEY SW" on the DATA MONITOR, Check ON/OFF operation.

\*: Refer to [BL-36, "CONSULT-III Function \(BCM\)"](#)

Monitor item [OPERATION or UNIT]		Contents
IGN KEY SW*	"ON/OFF"	Key inserted (ON)/key removed (OFF) status judged from the key-in detection switch is displayed.

### OK or NG

- OK >> Key switch circuit is OK.
- NG >> GO TO 2.

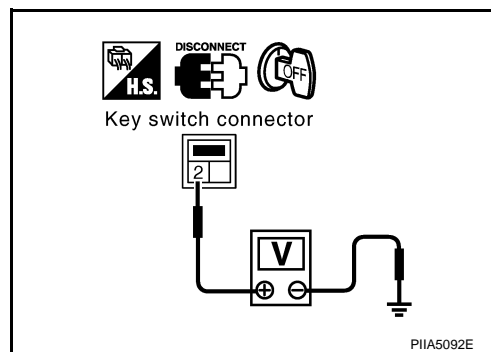
### 2. CHECK KEY SWITCH AND KEY LOCK SOLENOID POWER SUPPLY CIRCUIT

- Turn ignition switch OFF.
- Disconnect key switch connector.
- Check voltage between key switch connector M23 terminal 2 and ground.

**2 (L/R) – Ground : Battery voltage.**

### OK or NG

- OK >> GO TO 3.
- NG >> Check harness between key switch and fuse.



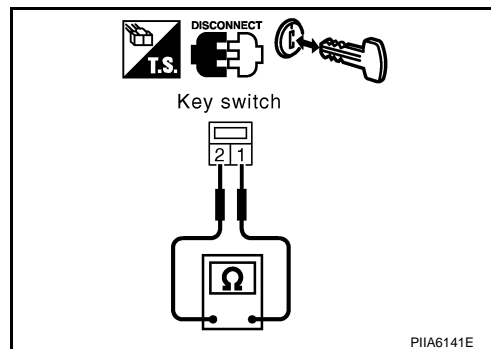
### 3. CHECK KEY SWITCH

Check continuity between key switch connector M23 terminal 1 and 2.

Con- nector	Terminal		Condition	Continuity
	M23	1	2	Key is inserted in ignition key cylinder.
			Key is removed from ignition key cylinder.	No

### OK or NG

- OK >> GO TO 4.
- NG >> Replace key switch.



# AUTOMATIC DRIVE POSITIONER

## < SERVICE INFORMATION >

### 4. CHECK HARNESS CONTINUITY

1. Disconnect key switch connector and BCM connector.
2. Check continuity between key switch connector M23 terminal 1 and BCM connector M3 terminal 37.

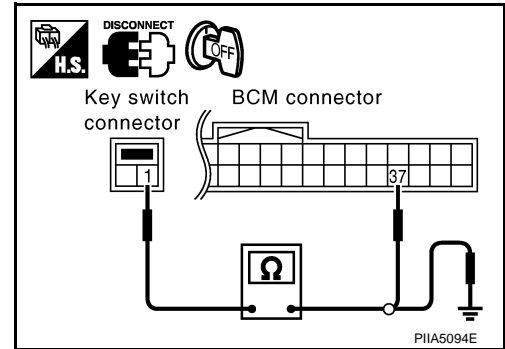
**1 (B/W) – 37 (B/W) : Continuity should exist.**

3. Check continuity between key switch connector M23 terminal 1 and ground.

**1 (B/W) – Ground : Continuity should not exist.**

#### OK or NG

- OK >> Key switch circuit is OK.  
 NG >> Repair or replace harness between key switch and BCM.



### Check Seat Memory Switch Circuit

INFOID:000000001328141

### 1. CHECK FUNCTION

#### ⓑ With CONSULT-III

With "SET SW, MEMORY SW1, MEMORY SW2" on the DATA MONITOR, operate the switch to check ON/OFF operation.

Monitor item [OPERATION or UNIT]		Contents
MEMORY SW1	"ON/OFF"	ON/OFF status judged from the seat memory switch 1 signal is displayed.
MEMORY SW2	"ON/OFF"	ON/OFF status judged from the seat memory switch 2 signal is displayed.
SET SW	"ON/OFF"	ON/OFF status judged from the setting switch signal is displayed.

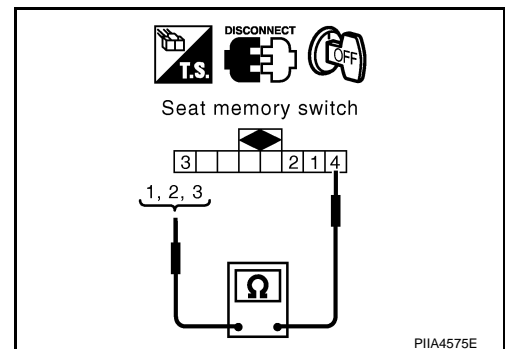
#### OK or NG

- OK >> Seat memory switch circuit is OK.  
 NG >> GO TO 2.

### 2. CHECK SEAT MEMORY SWITCH

1. Turn ignition switch OFF.
2. Disconnect seat memory switch connector.
3. Check continuity between seat memory switch connector D22 terminal 1, 2, 3 and 4.

Connector	Terminals	Condition	Continuity
D22	1	Memory switch 1: ON	Yes
		Memory switch 1: OFF	No
	2	Memory switch 2: ON	Yes
		Memory switch 2: OFF	No
	3	Set switch: ON	Yes
		Set switch: OFF	No



#### OK or NG

- OK >> GO TO 3.  
 NG >> Replace seat memory switch.

### 3. CHECK HARNESS CONTINUITY

1. Disconnect driver seat control unit connector.

# AUTOMATIC DRIVE POSITIONER

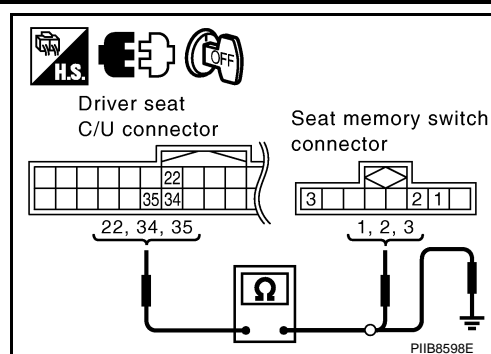
## < SERVICE INFORMATION >

- Check continuity between driver seat control unit connector B152 terminals 22, 34, 35 and seat memory switch connector D22 terminals 1, 2, 3.

- 22 (R/B) – 1 (P) : Continuity should exist.**
- 34 (L/W) – 3 (GY) : Continuity should exist.**
- 35 (L/B) – 2 (LG) : Continuity should exist.**

- Check continuity between driver seat control unit connector B152 terminals 22, 34, 35 and ground.

- 22 (R/B) – Ground : Continuity should not exist.**
- 34 (L/W) – Ground : Continuity should not exist.**
- 35 (L/B) – Ground : Continuity should not exist.**



### OK or NG

- OK >> GO TO 4.
- NG >> Repair or replace harness between driver seat control unit and seat memory switch.

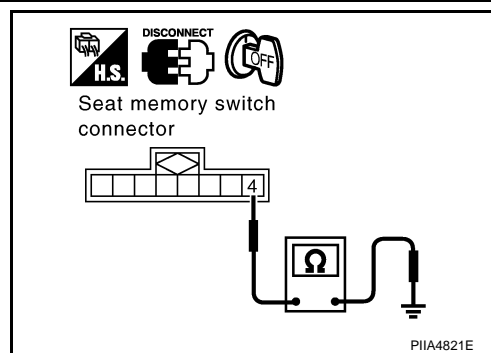
## 4. CHECK SEAT MEMORY SWITCH GROUND CIRCUIT

Check continuity between seat memory switch connector D22 terminal 4 and ground.

- 4 (B) – Ground : Continuity should exist.**

### OK or NG

- OK >> Replace driver seat control unit.
- NG >> Repair or replace harness between seat memory switch and ground.



INFOID:000000001328142

## Check Seat Memory Indicator Lamp Circuit

### 1. CHECK FUNCTION

#### With CONSULT-III

With "MEMORY SW INDCTR" in ACTIVE TEST, check operation.

Test item	Description
MEMORY SW INDCTR	The memory switch indicator is lit by receiving the drive signal.

### OK or NG

- OK >> Seat memory indicator lamp circuit is OK.
- NG >> GO TO 2.

### 2. CHECK SEAT MEMORY SWITCH POWER SUPPLY CIRCUIT

- Turn ignition switch OFF.
- Disconnect seat memory switch connector.

# AUTOMATIC DRIVE POSITIONER

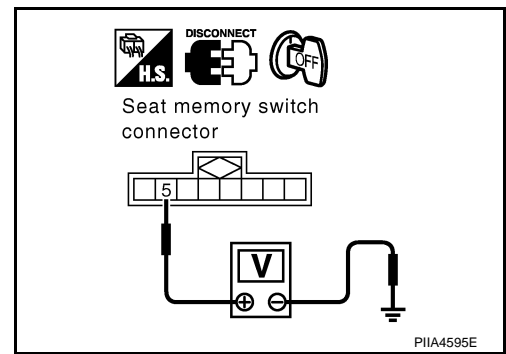
## < SERVICE INFORMATION >

3. Check voltage between seat memory switch connector D22 terminal 5 and ground.

**5 (R) – Ground : Battery voltage**

### OK or NG

- OK >> GO TO 4.  
 NG >> Repair or replace harness between fuse block (J/B) and seat memory switch.



## 3.CHECK HARNESS CONTINUITY

1. Disconnect driver seat control unit connector.
2. Check continuity between driver seat control unit connector B152 terminals 23, 36 and seat memory switch connector D22 terminals 6, 7.

**23 (Y/W) – 6 (PU) : Continuity should exist.**

**36 (Y/G) – 7 (L) : Continuity should exist.**

3. Check continuity between driver seat control unit connector B152 terminals 23, 36 and ground.

**23 (Y/W) – Ground : Continuity should not exist.**

**36 (Y/G) – Ground : Continuity should not exist.**

### OK or NG

- OK >> GO TO 5.  
 NG >> Repair or replace harness between driver seat control unit and seat memory switch.

## 4.CHECK SEAT MEMORY SWITCH INDICATOR SIGNAL

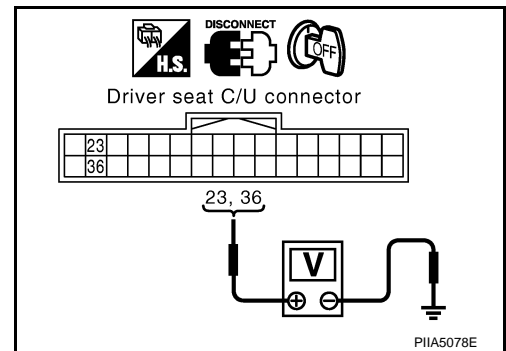
Check voltage between driver seat control unit connector B152 terminals 23, 36 and ground.

**23 (Y/W) – Ground : Battery voltage**

**36 (Y/G) – Ground : Battery voltage**

### OK or NG

- OK >> Seat memory indicator lamp circuit is OK.  
 NG >> Replace seat memory switch.



## Check UART Communication Line Circuit

INFOID:000000001328143

### 1.CHECK UART LINE HERNESS

1. Turn ignition switch OFF.
2. Disconnect driver seat control unit connector and automatic drive positioner control unit connector.



# AUTOMATIC DRIVE POSITIONER

## < SERVICE INFORMATION >

3. Check continuity between driver seat control unit connector B152 terminal 2, 8 and automatic drive positioner connector M49 terminal 10, 26.

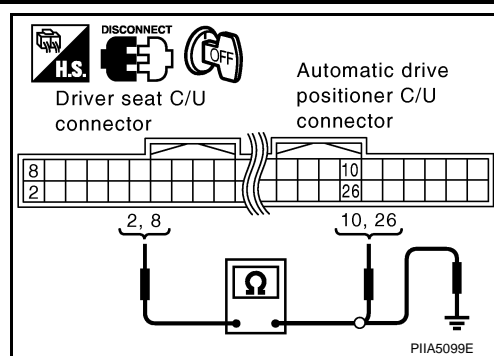
**2 (P) – 26 (W) : Continuity should exist.**

**8 (G/Y) – 10 (B) : Continuity should exist.**

4. Check continuity between driver seat control unit connector B152 terminal 2, 8 and ground.

**2 (P) – Ground : Continuity should not exist.**

**8 (G/Y) – Ground : Continuity should not exist.**



### OK or NG

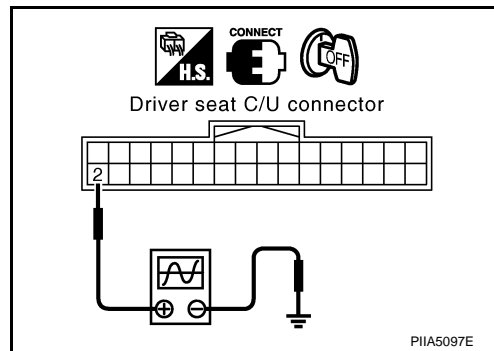
OK >> GO TO 2.

NG >> Repair or replace harness between driver seat control unit and automatic drive positioner control unit.

## 2. CHECK UART LINE SIGNAL 1

- Turn ignition switch ON.
- Check signal between driver seat control unit connector ground, with oscilloscope.

Connector	Terminals (Wire color)		Condition	Signal (Reference value)
	(+)	(-)		
B152	2 (P)	Ground	Seat memory switch 1 or 2 operation	



### OK or NG

OK >> GO TO 3.

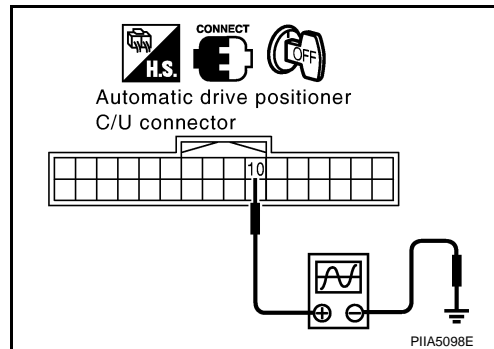
NG >> Check the flowing.

- When voltage signal dose not appear with a constant voltage (approx. 5V), replace driver seat control unit.
- When voltage signal dose not appear with a constant voltage (approx. 0V), replace automatic drive positioner control unit.

## 3. CHECK UART LINE SIGNAL 2

Check signal between automatic driver positioner control unit connector ground, with oscilloscope.

Connector	Terminals (Wire color)		Condition	Signal (Reference value)
	(+)	(-)		
M49	10 (B)	Ground	Seat memory switch 1 or 2 operation	



### OK or NG

OK >> GO TO 4.

NG >> Check the flowing.

# AUTOMATIC DRIVE POSITIONER

## < SERVICE INFORMATION >

- When voltage signal dose not appear with a constant voltage (approx. 5V), replace automatic driver seat control unit.
- When voltage signal dose not appear with a constant voltage (approx. 0V), replace driver seat control unit.

### 4.CHECK DRIVER SEAT CONTROL UNIT

Dose the automatic drive positioner operate, when the driver seat control unit exchanged?

Does seat memory function operate?

- YES >> Replace automatic drive positioner control unit.  
 NG >> Replace driver seat control unit.

### Check Lumbar Support Circuit

INFOID:000000001328144

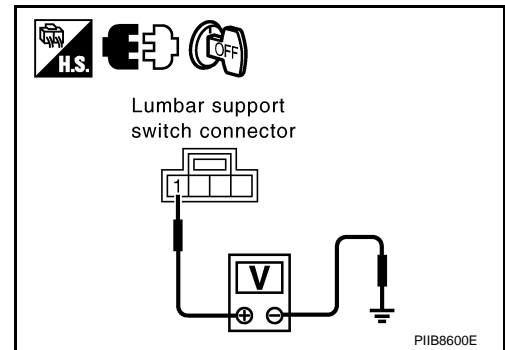
### 1.CHECK LUMBAR SUPPORT SWITCH

1. Turn ignition switch OFF.
2. Disconnect lumbar support switch connector.
3. Check voltage between lumbar support switch connector B158 terminal 1 and ground.

**1 (R) – Ground: : Battery voltage**

OK or NG

- OK >> GO TO 2.  
 NG >> Repair or replace harness between fuse block (J/B) and lumbar support switch.



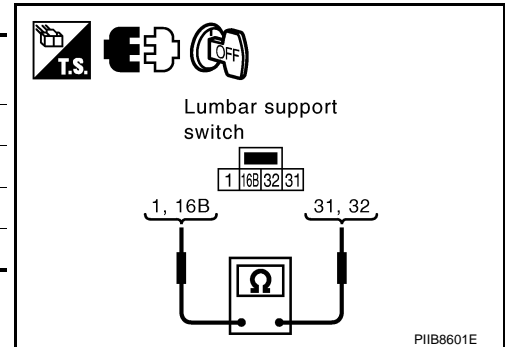
### 2.CHECK LUMBAR SUPPORT SWITCH

Lumbar support switch operate, check continuity lumbar support switch connector B158 terminal 31, 32 and 1, 16B.

Con- nector	Terminal	Lumbar support switch condition	Continuity	
B158	31	1	BACKWARD	Yes
		16B	Other than above	No
	32	1	FORWARD	Yes
		16B	Other than above	No

OK or NG

- OK >> GO TO 3.  
 NG >> Replace lumbar support switch.



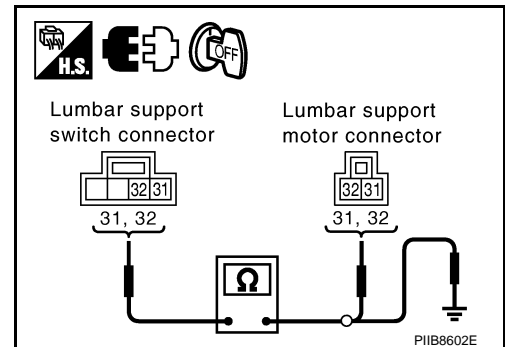
### 3.CHECK LUMBAR SUPPORT MOTOR HARNESS

1. Disconnect lumbar support motor connector.
2. Check continuity between lumbar support switch connector B158 terminal 31, 32 and lumbar support motor connector B172 terminal 31, 32.

**31 (W) – 31 (W) : Continuity should exist.**  
**32 (L) – 32 (L) : Continuity should exist.**

3. Check continuity between lumbar support switch connector B158 terminal 31, 32 and ground.

**31 (W) – Ground : Continuity should not exist.**  
**32 (L) – Ground : Continuity should not exist.**



# AUTOMATIC DRIVE POSITIONER

## < SERVICE INFORMATION >

### OK or NG

OK >> GO TO 4.

NG >> Repair or replace harness between lumbar support switch and lumbar support motor.

### 4. CHECK LUMBAR SUPPORT SWITCH GROUND CIRCUIT

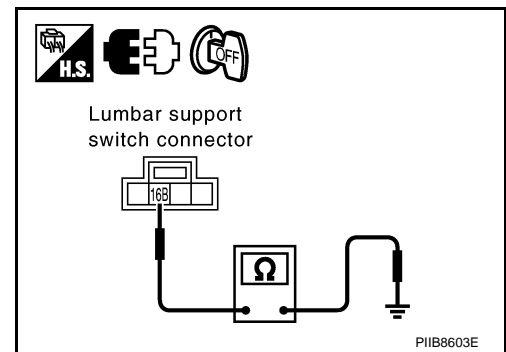
Check continuity between lumbar support switch connector B158 terminal 16B and ground.

**16B (B) – Ground : Continuity should exist.**

### OK or NG

OK >> Check the condition of the harness and connector.

NG >> Repair or replace harness between lumbar support switch and ground.



A  
B  
C  
D  
E  
F  
G  
H  
SE  
J  
K  
L  
M  
N  
O  
P

# POWER SEAT

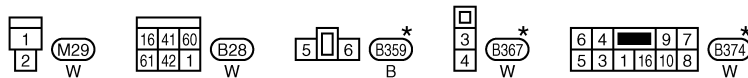
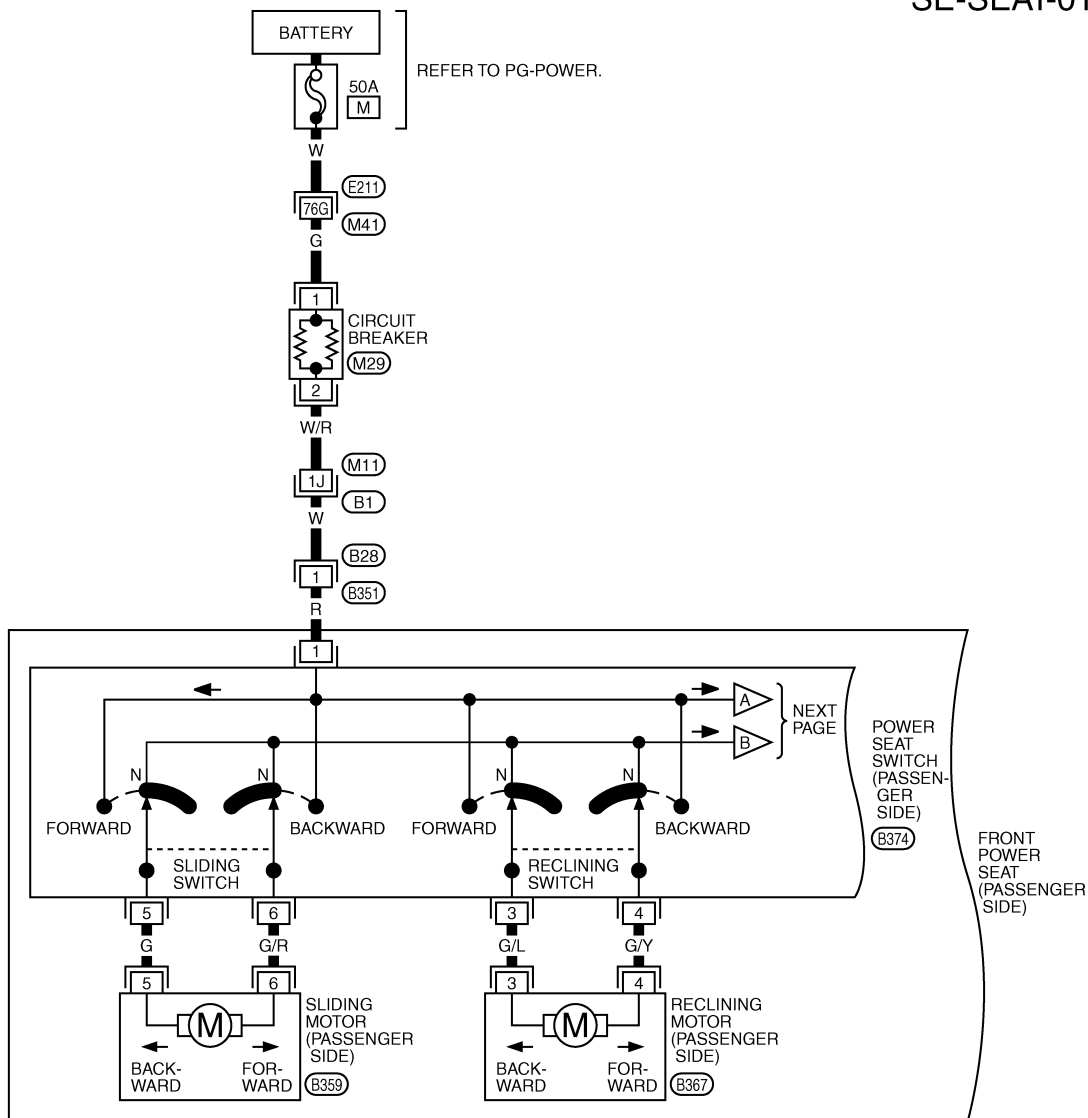
< SERVICE INFORMATION >

## POWER SEAT

### Wiring Diagram - SEAT -

INFOID:000000001328145

SE-SEAT-01



\*: THIS CONNECTOR IS NOT SHOWN IN "HARNESS LAYOUT", PG SECTION.

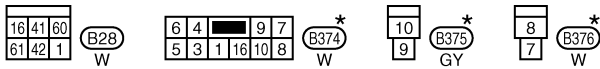
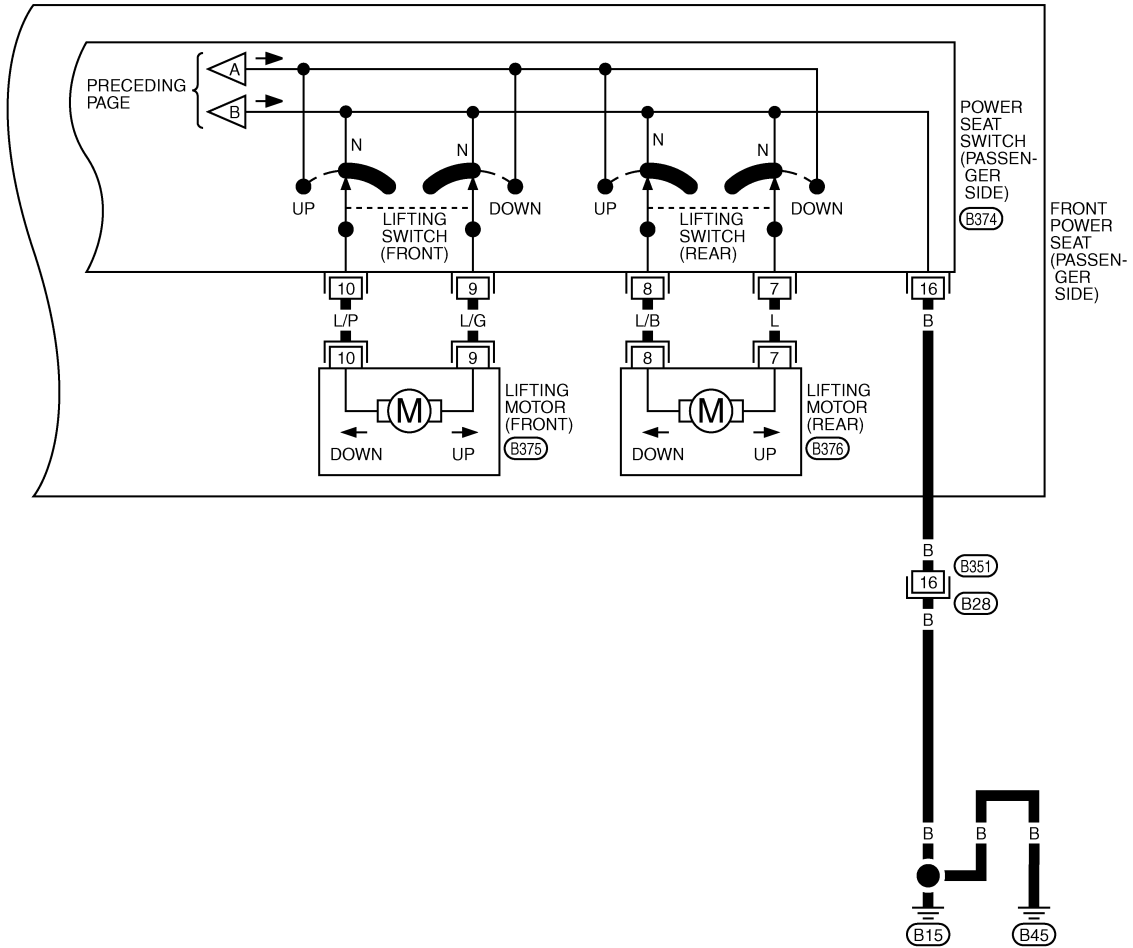
REFER TO THE FOLLOWING.  
 (E211), (B1) -SUPER MULTIPLE  
 JUNCTION (SMJ)

TIWM1705E

# POWER SEAT

< SERVICE INFORMATION >

SE-SEAT-02



\*: THIS CONNECTOR IS NOT SHOWN IN "HARNESS LAYOUT", PG SECTION.

T1WM1717E

A  
B  
C  
D  
E  
F  
G  
H  
SE  
J  
K  
L  
M  
N  
O  
P

# HEATED SEAT

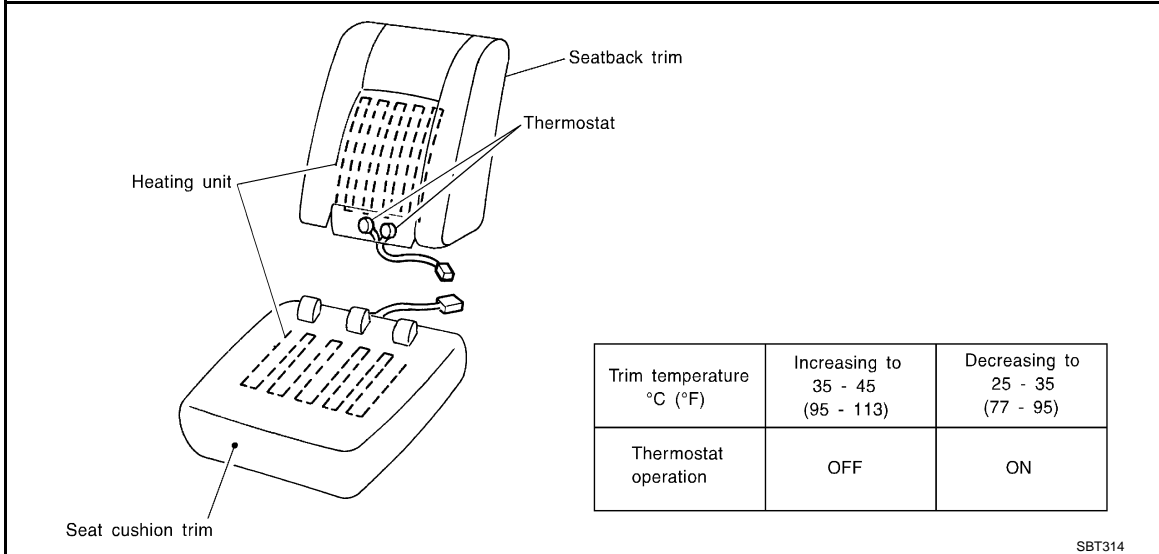
< SERVICE INFORMATION >

## HEATED SEAT

### Description

INFOID:000000001328146

- When handling seat, be extremely careful not to scratch heating unit.
- To replace heating unit, seat trim and pad should be separated.
- Do not use any organic solvent, such as thinner, benzene, alcohol, etc. to clean trims.



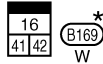
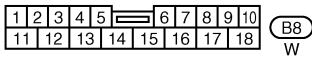
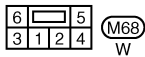
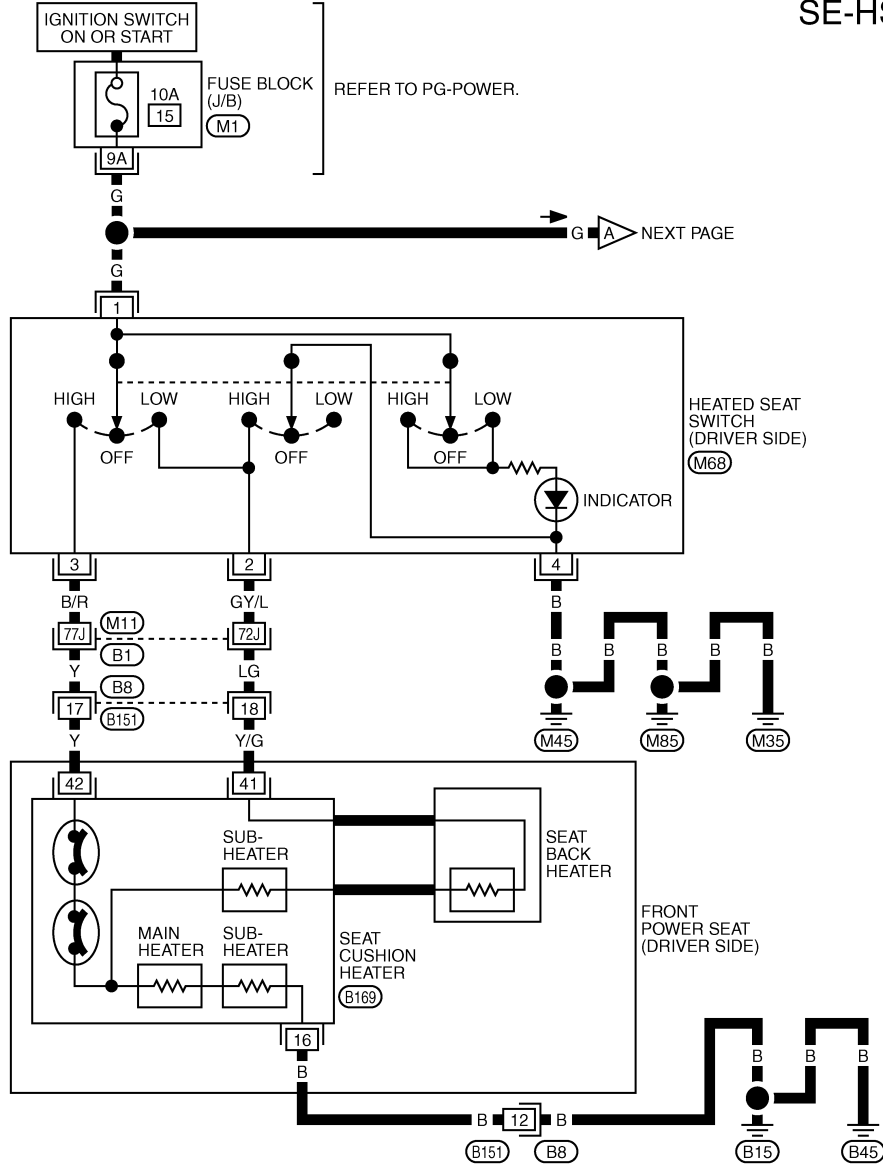
# HEATED SEAT

< SERVICE INFORMATION >

## Wiring Diagram - HSEAT -

INFOID:000000001328147

SE-HSEAT-01



\*: THIS CONNECTOR IS NOT SHOWN IN "HARNES LAYOUT", PG SECTION.

REFER TO THE FOLLOWING.  
 (B1) -SUPER MULTIPLE JUNCTION (SMJ)  
 (M1) -FUSE BLOCK-JUNCTION BOX (J/B)

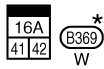
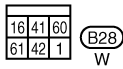
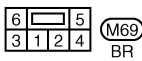
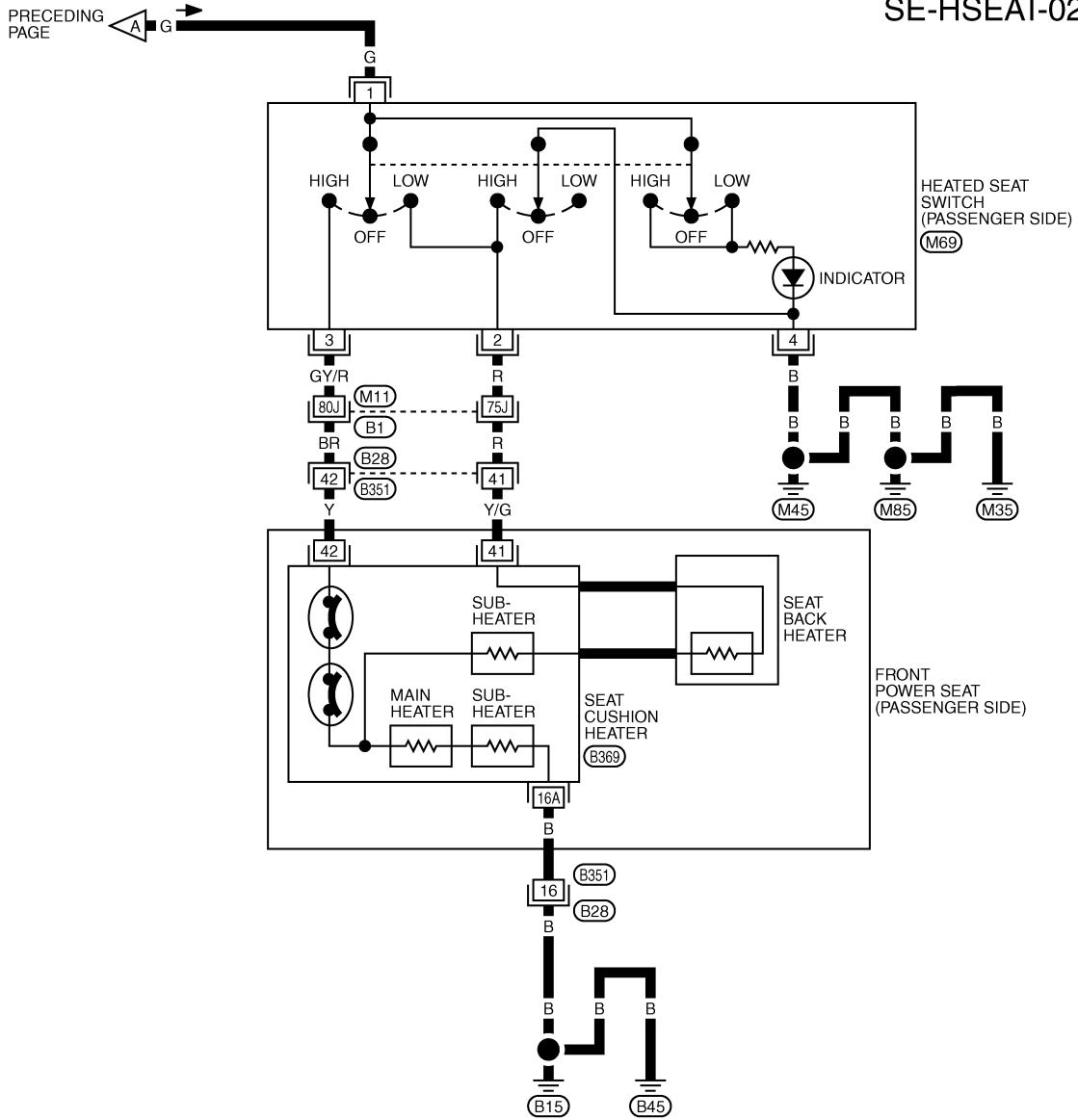
TIWM1706E

A  
B  
C  
D  
E  
F  
G  
H  
SE  
J  
K  
L  
M  
N  
O  
P

# HEATED SEAT

< SERVICE INFORMATION >

SE-HSEAT-02



\*: THIS CONNECTOR IS NOT SHOWN IN "HARNES LAYOUT", PG SECTION.

REFER TO THE FOLLOWING.  
 (B1) -SUPER MULTIPLE JUNCTION (SMJ)

TIWM1707E



# FRONT SEAT

< SERVICE INFORMATION >

## FRONT SEAT

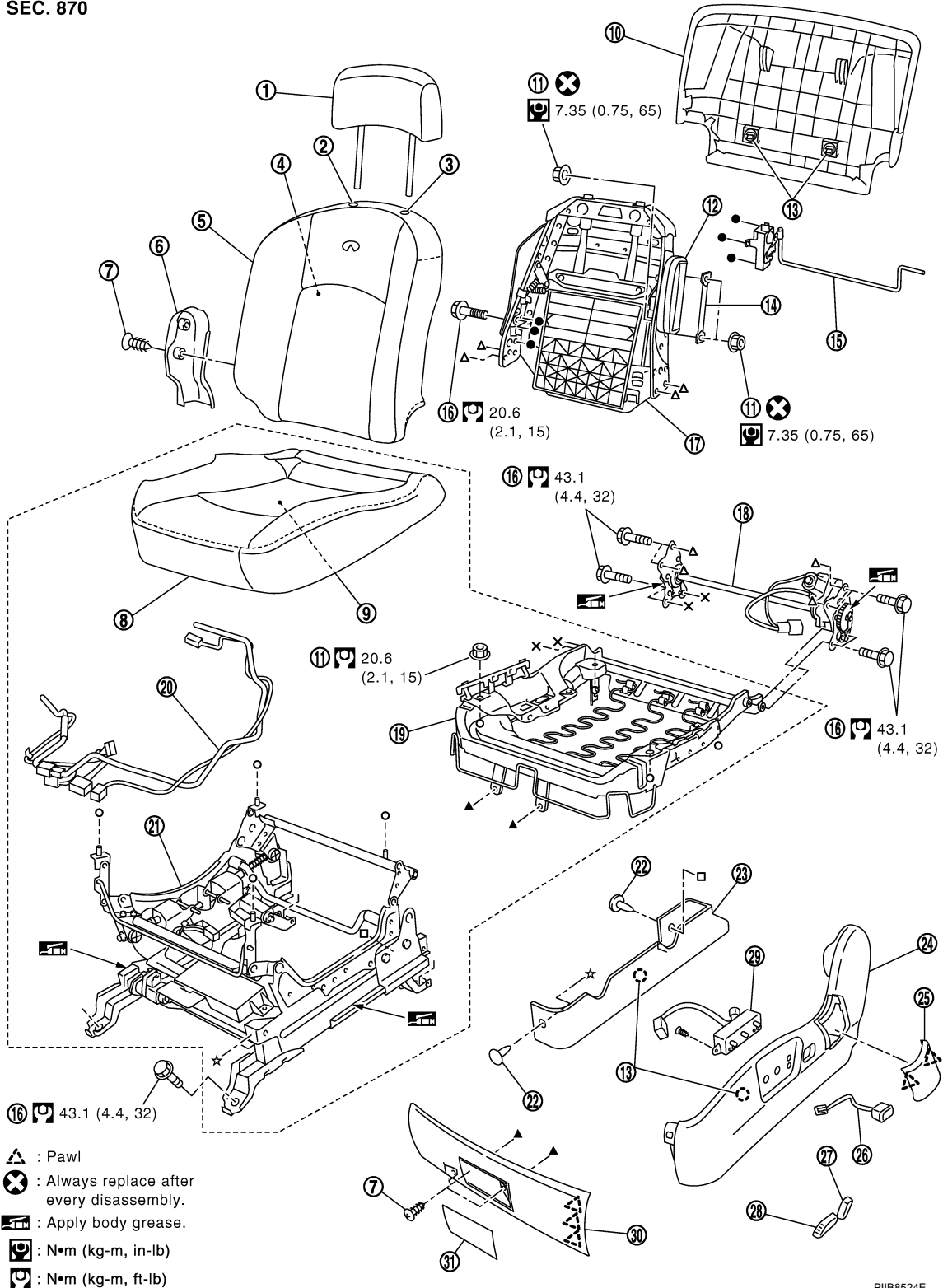
### Removal and Installation

INFOID:000000001328148

**CAUTION:**

Do not disassemble the component parts of only front passenger seat in the dotted lines shown in the figure below.

SEC. 870



PIIB8524E

# FRONT SEAT

## < SERVICE INFORMATION >

- |                                       |                                    |                                   |
|---------------------------------------|------------------------------------|-----------------------------------|
| 1. Headrest                           | 2. Headrest holder (free)          | 3. Headrest holder (locked)       |
| 4. Seatback pad                       | 5. Seatback trim                   | 6. Seat cushion inner finisher    |
| 7. Screw                              | 8. Seat cushion trim               | 9. Seat cushion pad               |
| 10. Seatback garnish                  | 11. Nut                            | 12. Side air bag module           |
| 13. Clip (C101)                       | 14. Inner cloth stay               | 15. Lumber support device         |
| 16. Bolt                              | 17. Seatback frame                 | 18. Reclining device assembly     |
| 19. Seat cushion frame                | 20. Seat harness assembly          | 21. Seat adjust assembly          |
| 22. Clip (C103)                       | 23. Seat adjust assembly cover     | 24. Seat cushion outer finisher   |
| 25. Seat cushion outer finisher cover | 26. Lumber support switch assembly | 27. Seat reclining switch knob    |
| 28. Seat slide and lifter switch knob | 29. Seat control switch            | 30. Seat cushion forward finisher |
| 31. Seat cushion forward finisher lid |                                    |                                   |

### REMOVAL

When removing or installing the seat trim, carefully handle it to keep dirt out and avoid damage.

#### CAUTION:

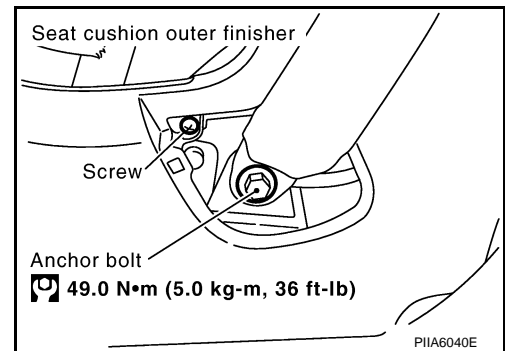
- Before removing the front seat, turn ignition switch OFF, disconnect both battery cables and wait at least 3 minutes.
- When checking the power seat circuit for continuity using a circuit tester, do not confuse its connector with the side air bag module connector. Such an error may cause the air bag to deploy.
- Do not drop, tilt, or bump the side air bag module installing in the seat. Always handle it with care.

1. Remove the seat cushion outer finisher cover.
2. Remove the front seat belt anchor bolt. Refer to [SB-3, "Removal and Installation of Front Seat Belt"](#).

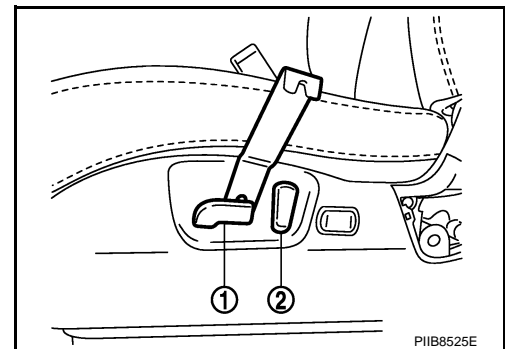
#### CAUTION:

Set the front and rear cushion lifter to the down position.

3. Remove the screw.



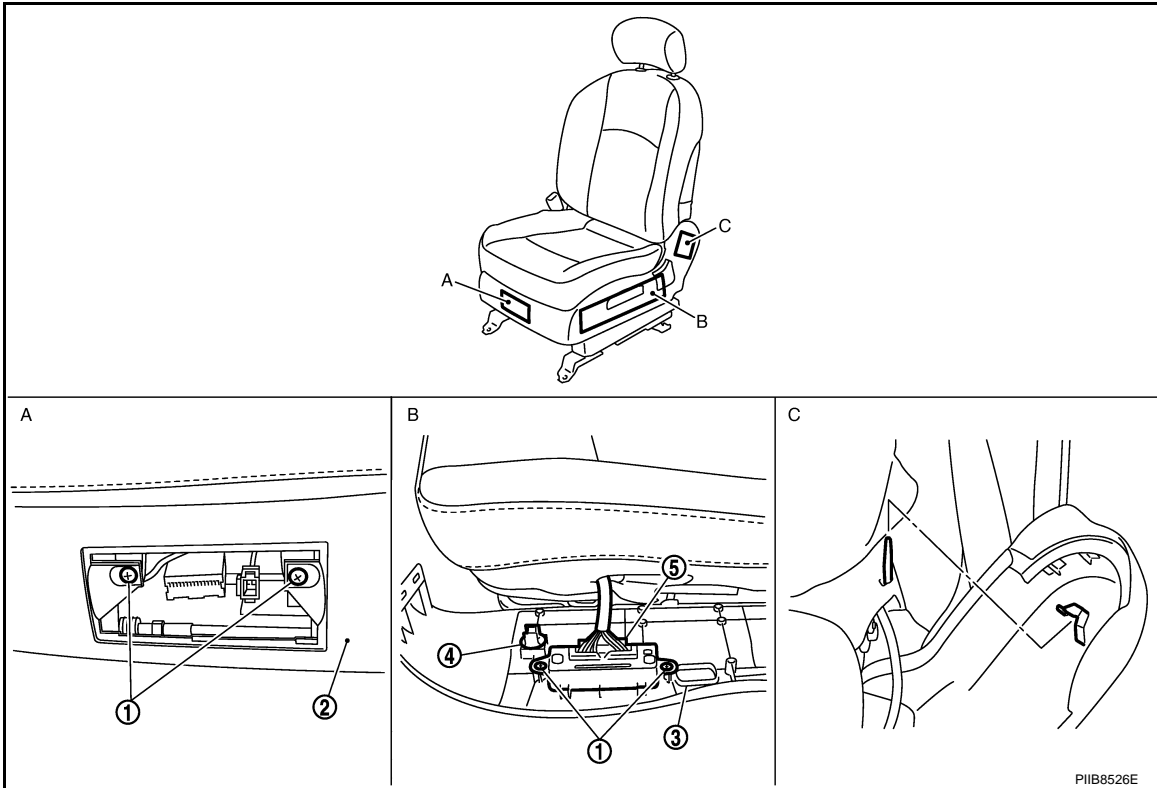
4. Remove the seat cushion forward finisher lid.
5. Remove the seat cushion forward finisher.
6. Remove the seat slide and lifter switch knob (1) and seat reclining switch knob (2).



# FRONT SEAT

## < SERVICE INFORMATION >

7. Remove the seat cushion outer finisher.

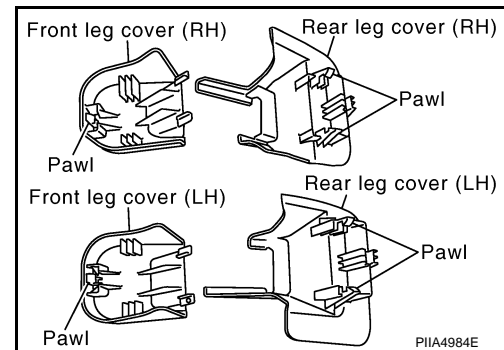


- |               |                                  |                                |
|---------------|----------------------------------|--------------------------------|
| 1. Screw      | 2. Seat cushion forward finisher | 3. Seat cushion outer finisher |
| 4. Clip(C101) | 5. Seat control switch           |                                |

8. Remove the seat control switch assembly.  
 9. Remove the lumbar support switch assembly.  
 10. Remove the front and rear leg cover (LH and RH).

**NOTE:**

- Slide the seat backward, and disconnect the front tabs on the front leg cover. Then move the cover toward the rear of the vehicle, and pull up to remove.
- Slide the seat forward, then disengage the tabs on the front LH and RH of the rear leg cover and tabs engaged into the rail. Then pull the cover toward the rear of the vehicle.



11. Slide the seat until the body mounting bolts are visible and a tool can be inserted.

**NOTE:**

When disassembling the driver seat after removal, set the front and rear cushion lifter to the top position.

12. Disconnect both battery cables.  
 13. Remove the harness connector for the side air bag module.  
 14. Remove the power seat harness connector and vehicle harness fixing clip.  
 15. Remove the front seat.

**NOTE:**

When removing and installing, using waste, protect the parts from damage where it may interfere with others.

## INSTALLATION

Install in the reverse order of removal.

**NOTE:**

A  
B  
C  
D  
E  
F  
G  
H  
SE  
J  
K  
L  
M  
N  
O  
P

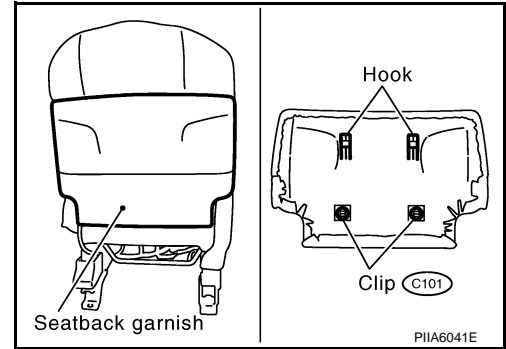
# FRONT SEAT

## < SERVICE INFORMATION >

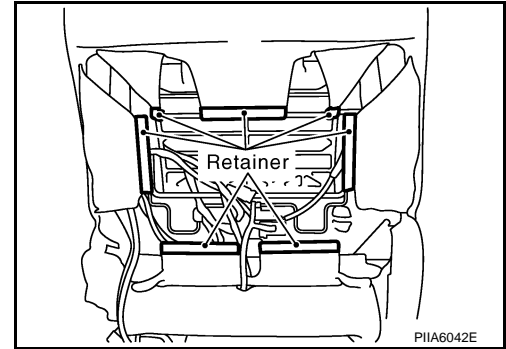
Be sure to insert the rear end tab of the rear leg cover under the rail.

### REMOVAL OF SEATBACK TRIM AND PAD

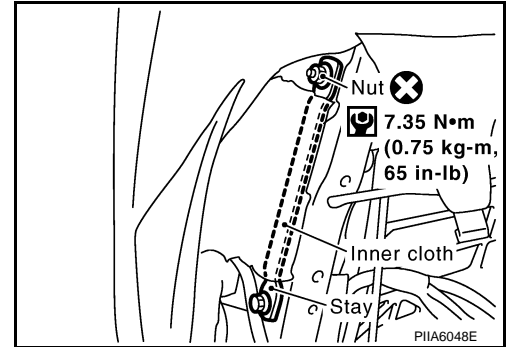
1. Remove the seatback garnish.



2. Remove the retainer.



3. Remove the stay securing the inner cloth.



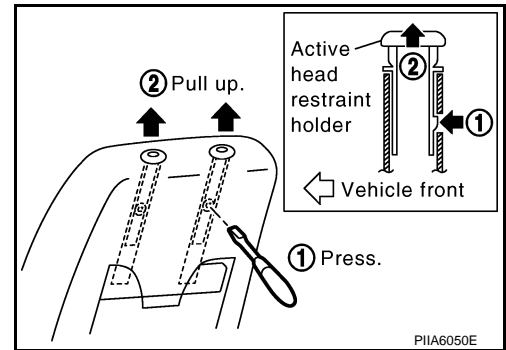
4. Remove the headrest.

5. Remove the headrest holder.

From the back of the seatback, press the headrest holder tab of the stay pipe hole to disengage. Then pull the headrest holder up to remove.

**NOTE:**

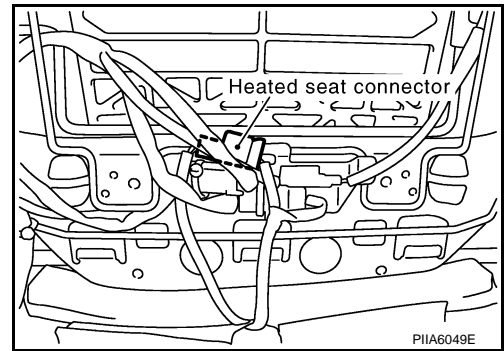
Before installing the headrest holder, check its orientation (front, rear, left and right).



# FRONT SEAT

## < SERVICE INFORMATION >

6. Remove the heated seat connector.



7. After removing the seatback trim and pad, remove the hog rings to separate the trim, pad, and seatback heater unit.

### INSTALLATION OF SEATBACK TRIM AND PAD

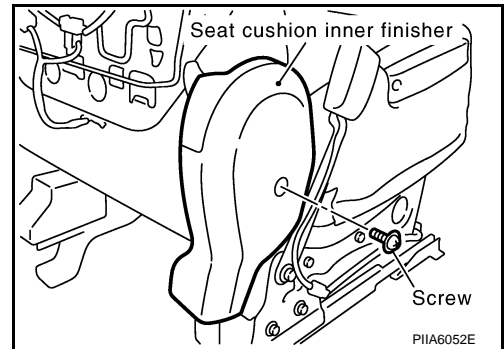
Install in the reverse order of removal.

### REMOVAL OF SEAT CUSHION TRIM AND PAD

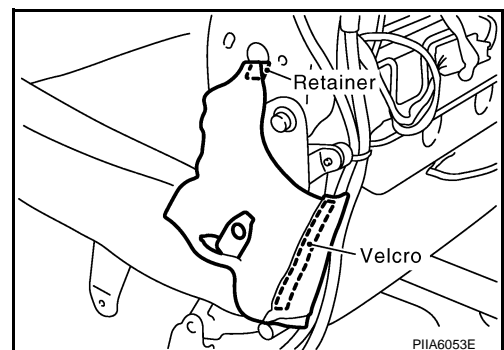
#### **CAUTION:**

**Do not disassemble the component parts of only front passenger seat in the dotted lines shown in the figure. Refer to "Removal and Installation".**

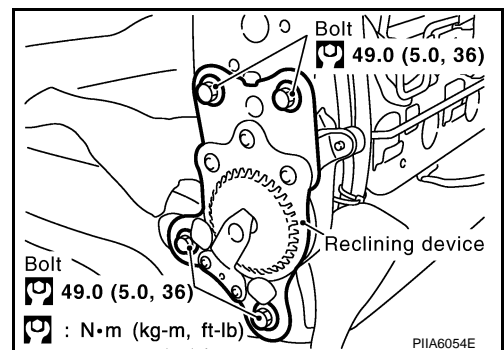
1. Remove the seat cushion inner finisher.



2. Remove the velcro and retainer.



3. Remove the seat harness connector.
4. Remove the seatback frame.
5. Remove the reclining device assembly.

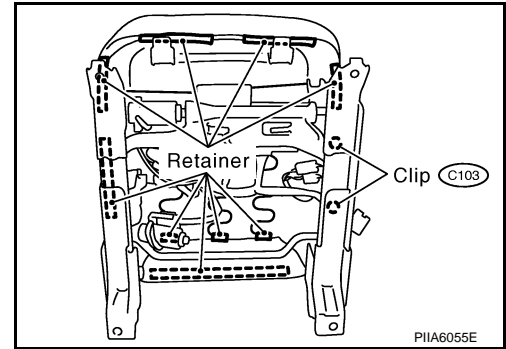


A  
B  
C  
D  
E  
F  
G  
H  
SE  
J  
K  
L  
M  
N  
O  
P

## FRONT SEAT

### < SERVICE INFORMATION >

6. Remove the retainer and clip.



7. After removing the seat cushion trim and pad, remove the hog rings to separate the trim and pad and the seat cushion heater unit.

### INSTALLATION OF SEAT CUSHION TRIM AND PAD

Install in the reverse order of removal.

# REAR SEAT

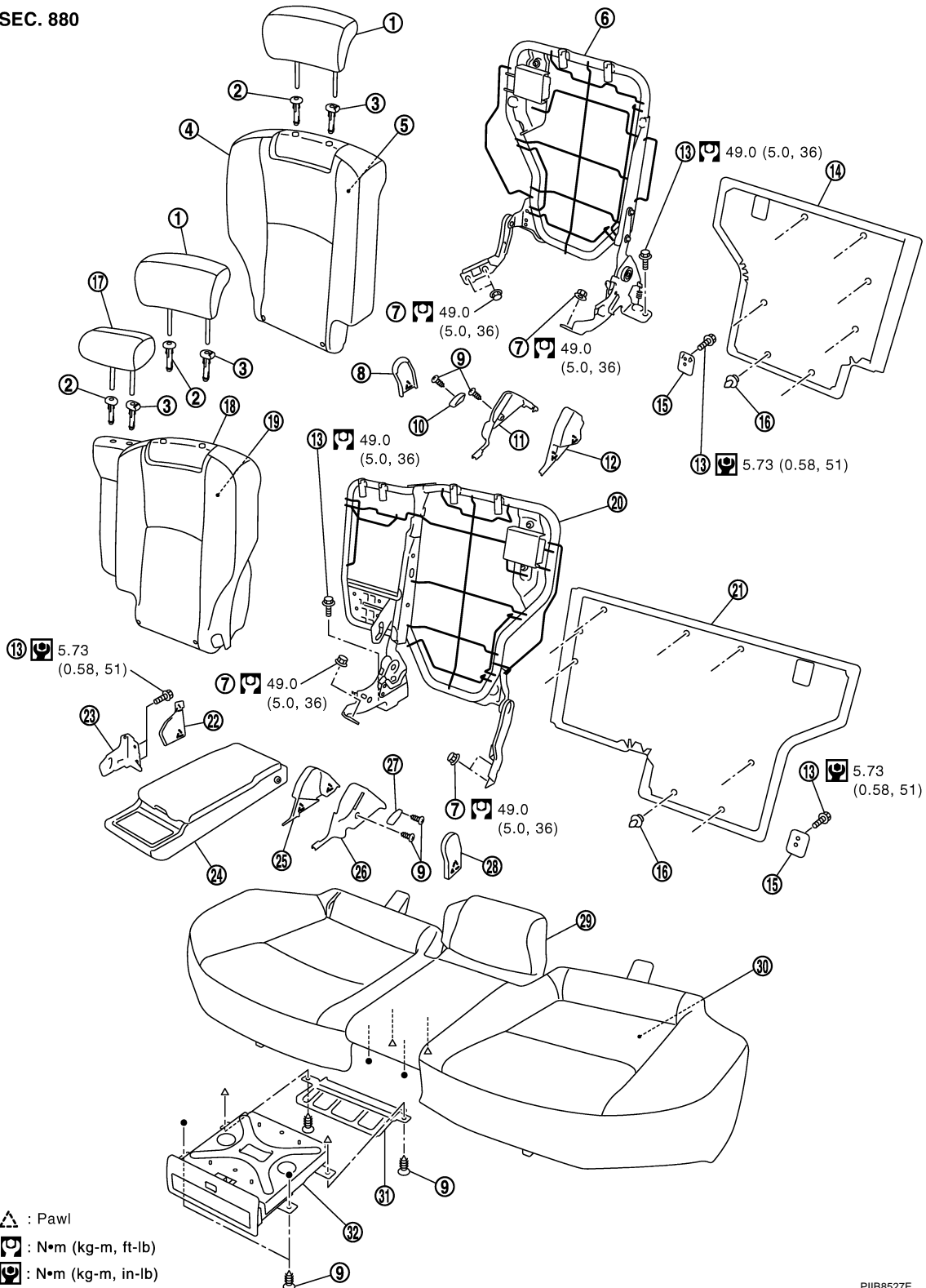
< SERVICE INFORMATION >

## REAR SEAT

### Removal and Installation

INFOID:000000001328149

SEC. 880



A  
B  
C  
D  
E  
F  
G  
H  
SE  
J  
K  
L  
M  
N  
O  
P

- |                          |                                       |                                       |
|--------------------------|---------------------------------------|---------------------------------------|
| 1. Headrest (side)       | 2. Headrest holder (free)             | 3. Headrest holder (locked)           |
| 4. Seatback trim (RH)    | 5. Seatback pad (RH)                  | 6. Seatback frame (RH)                |
| 7. Nut                   | 8. Seat hinge cover (RH)              | 9. Screw                              |
| 10. Reclining lever (RH) | 11. Reclining device outer cover (RH) | 12. Reclining device inner cover (RH) |

PIIB8527E

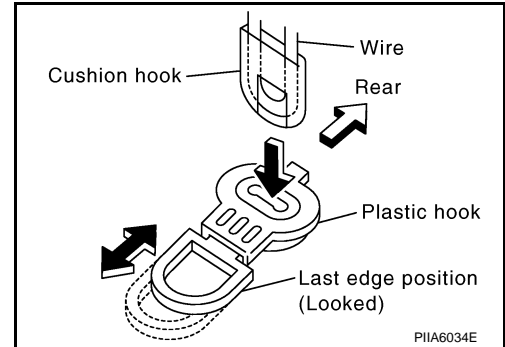
# REAR SEAT

## < SERVICE INFORMATION >

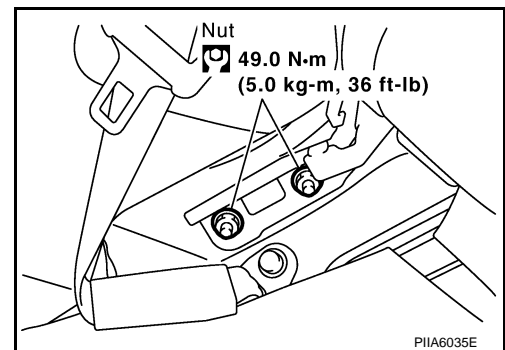
- |                                       |                                       |                           |
|---------------------------------------|---------------------------------------|---------------------------|
| 13. Bolt                              | 14. Seatback garnish (RH)             | 15. Trunk net hook        |
| 16. Clip (C101)                       | 17. Headrest (center)                 | 18. Seatback trim (LH)    |
| 19. Seatback pad (LH)                 | 20. Seatback frame (LH)               | 21. Seatback garnish (LH) |
| 22. Armrest bracket cover             | 23. Armrest bracket                   | 24. Armrest               |
| 25. Reclining device inner cover (LH) | 26. Reclining device outer cover (LH) | 27. Reclining lever (LH)  |
| 28. Seat hinge cover (LH)             | 29. Seat cushion trim                 | 30. Seat cushion pad      |
| 31. Cup holder bracket                | 32. Cup holder                        |                           |

## REMOVAL

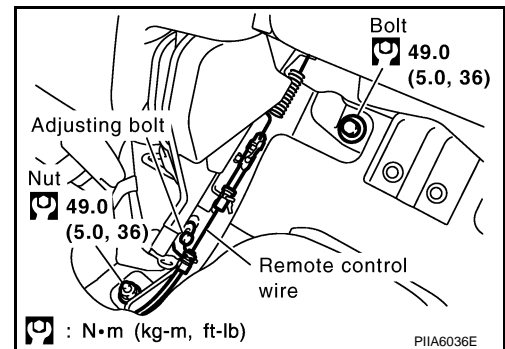
1. Pull the lock at the front bottom of the seat cushion forward (1 for each side), and pull the seat cushion upward to release the wire from the plastic hook, then pull the seat cushion forward to remove.



2. Remove the seatback mounting nuts.



3. Remove the seatback mounting bolt and nut. Remove the remote control wire.



## INSTALLATION

Install in the reverse order of removal.

### NOTE:

After rear wheel house finisher assembly is remove the seatback is installed. Refer to [EI-45. "Component Parts Location"](#).

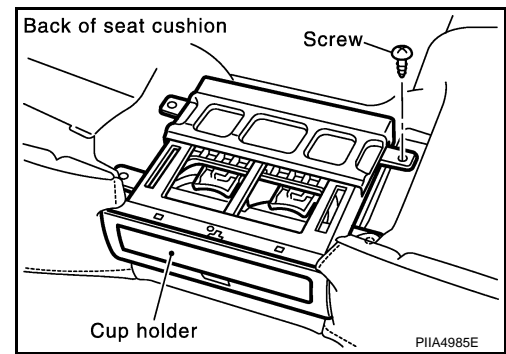
## REMOVAL OF SEAT CUSHION TRIM AND PAD



# REAR SEAT

## < SERVICE INFORMATION >

1. Remove the cup holder in the back of the seat cushion.



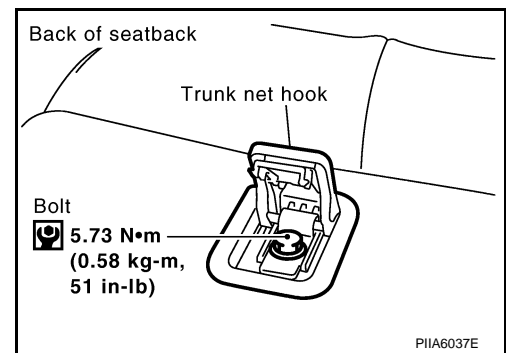
2. Removal the hog rings to separate the trim and pad.

### INSTALLATION OF SEAT CUSHION TRIM AND PAD

Install in the reverse order of removal.

### REMOVAL OF SEATBACK TRIM AND PAD

1. Remove the trunk net hook in the back of the seatback.

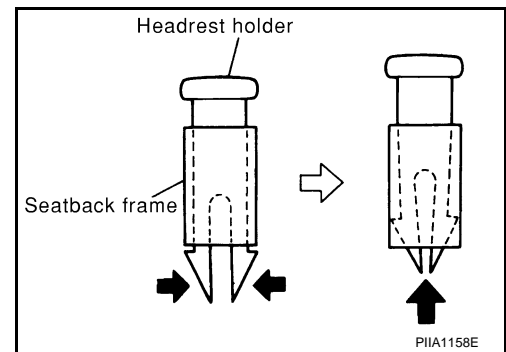


2. After removing the seatback garnish, remove the hog rings.
3. Remove the headrest.
4. Remove the headrest holder.

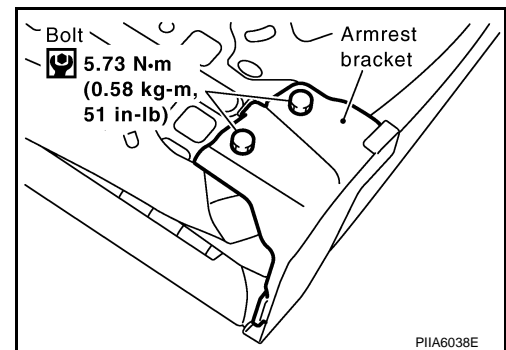
Squeeze and pull up headrest holder tabs to remove from seatback frame.

#### NOTE:

Before installing the headrest holder, check its orientation (front, rear, left and right).



5. Remove the armrest (LH only).



6. After removing the seatback trim and pad, separate the trim and pad.

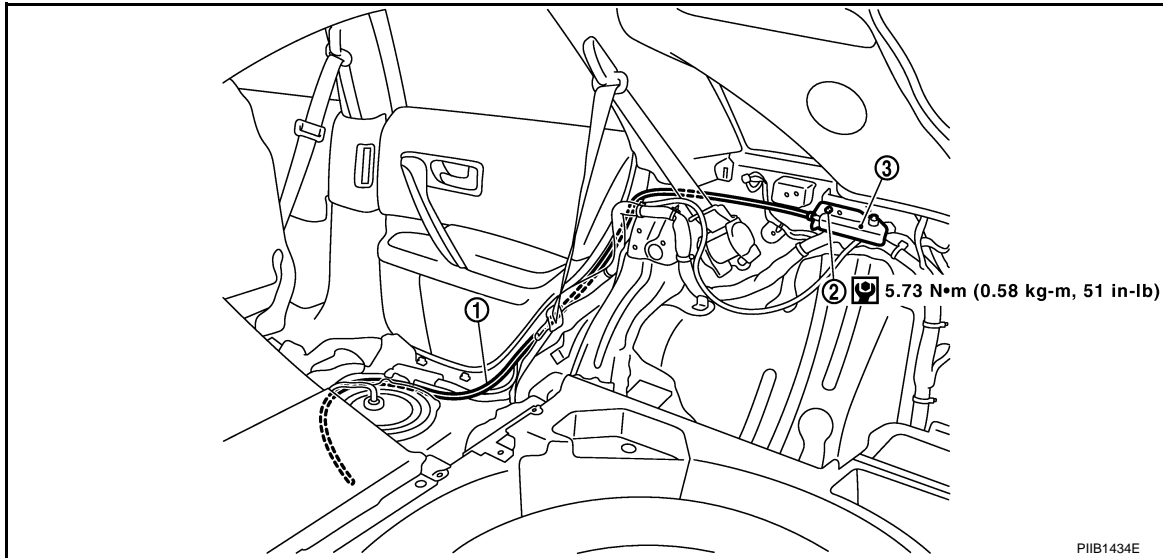
### INSTALLATION OF SEATBACK TRIM AND PAD

Install in the reverse order of removal.

## REAR SEAT

< SERVICE INFORMATION >

### REMOVAL OF REMOTE CONTROL LEVER



1. Remote control wire                      2. Bolt                                              3. Remote control lever

1. Remove the rear seat. Refer to "REMOVAL".
2. Remove the luggage side finisher assembly. Refer to [EI-45, "Component Parts Location"](#).
3. Remove the remote control lever.
4. Remove the remote control lever mounting bolt.
5. Remove the remote control lever assembly.

### INSTALLATION OF REMOTE CONTROL LEVER

Install in the reverse order of removal.