

SECTION **PG**

POWER SUPPLY, GROUND & CIRCUIT ELEMENTS

CONTENTS

POWER SUPPLY & GROUND CIRCUIT	
BASIC INSPECTION	3
BATTERY	3
How to Handle Battery	3
Work Flow	5
DTC/CIRCUIT DIAGNOSIS	6
POWER SUPPLY ROUTING CIRCUIT	6
Wiring Diagram - BATTERY POWER SUPPLY -	6
Wiring Diagram - BATTERY POWER SUPPLY	
FUSIBLE LINK No. L -	25
Wiring Diagram - BATTERY POWER SUPPLY	
FUSE No. 6 -	32
Wiring Diagram - BATTERY POWER SUPPLY	
FUSE No. 7 -	36
Wiring Diagram - BATTERY POWER SUPPLY	
FUSE No. 10 -	38
Wiring Diagram - BATTERY POWER SUPPLY	
FUSE No. 11 -	42
Wiring Diagram - BATTERY POWER SUPPLY	
FUSE No. 34 -	47
Wiring Diagram - BATTERY POWER SUPPLY	
FUSE No. 50 -	53
Wiring Diagram - BATTERY POWER SUPPLY	
FUSE No. 53 -	63
Wiring Diagram - ACCESSORY POWER SUPPLY -	68
Wiring Diagram - ACCESSORY POWER SUPPLY	
FUSE No. 19 -	74
Wiring Diagram - IGNITION POWER SUPPLY -	81
Wiring Diagram - IGNITION POWER SUPPLY	
FUSE No. 3 -	97
Wiring Diagram - IGNITION POWER SUPPLY	
FUSE No. 4 -	107
Wiring Diagram - IGNITION POWER SUPPLY	
FUSE No. 44 -	110
Wiring Diagram - IGNITION POWER SUPPLY	
FUSE No. 45 -	118
Wiring Diagram - IGNITION POWER SUPPLY	
FUSE No. 46 -	125
Fuse	128
Fusible Link	128
Circuit Breaker	128
OPTION HARNESS	129
Wiring Diagram - OPTION HARNESS -	129
HARNESS LAYOUT	134
How To Read Harness Layout	134
Outline	135
Main Harness	136
Engine Room Harness	137
Engine Control Harness (VQ35HR)	139
Engine Control Harness (VK50VE)	141
Body Harness	143
Body No. 2 Harness	144
Room Lamp Harness	145
Front Door Harness (LH Side)	146
Front Door Harness (RH Side)	147
Rear Door Harness (LH Side)	148
Rear Door Harness (RH Side)	149
Back Door Harness	150
HARNESS CONNECTOR	151
Description	151
STANDARDIZED RELAY	154
Description	154
FUSE BLOCK - JUNCTION BOX (J/B)	156
Fuse, Connector and Terminal Arrangement	156
FUSE, FUSIBLE LINK AND RELAY BOX	157
Fuse and Fusible Link Arrangement	157
IPDM E/R (INTELLIGENT POWER DISTRIBUTION MODULE ENGINE ROOM)	158
Fuse, Connector and Terminal Arrangement	158
PRECAUTION	159

A
B
C
D
E
F
G
H
I
J
K
L
PG
N
O
P



PRECAUTIONS	159	Exploded View	161
Precaution for Supplemental Restraint System (SRS) "AIR BAG" and "SEAT BELT PRE-TEN- SIONER"	159	Removal and Installation	161
Precaution for Procedure without Cowl Top Cover.	159		
PREPARATION	160	BATTERY TERMINAL WITH FUSIBLE LINK..	163
PREPARATION	160	Exploded View	163
Special Service Tools	160	Removal and Installation	163
REMOVAL AND INSTALLATION	161	SERVICE DATA AND SPECIFICATIONS	
BATTERY	161	(SDS)	164
		SERVICE DATA AND SPECIFICATIONS	
		(SDS)	164
		Battery	164

BASIC INSPECTION

BATTERY

How to Handle Battery

INFOID:000000005240733

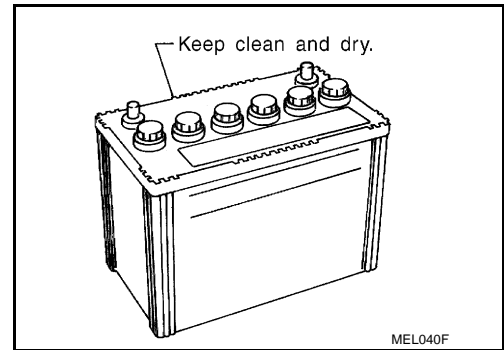
CAUTION:

- If it becomes necessary to start the engine with a booster battery and jumper cables, use a 12-volt booster battery.
- After connecting battery cables, ensure that they are tightly clamped to battery terminals for good contact.
- Never add distilled water through the hole used to check specific gravity.

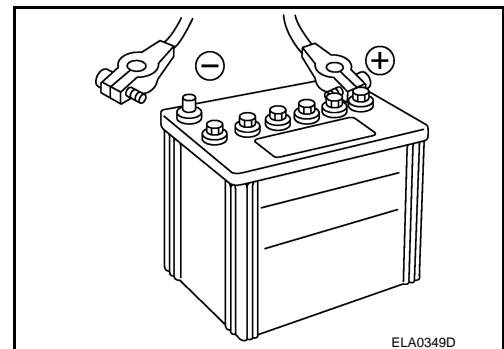
METHODS OF PREVENTING OVER-DISCHARGE

The following precautions must be taken to prevent over-discharging a battery.

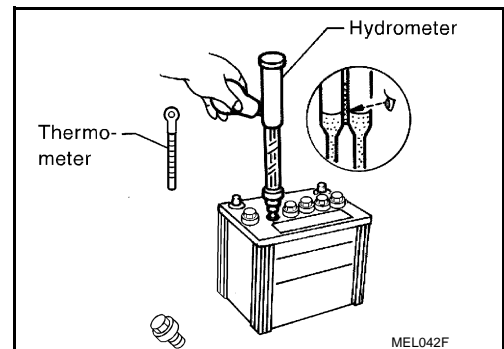
- The battery surface (particularly its top) should always be kept clean and dry.
- The terminal connections should be clean and tight.
- At every routine maintenance, check the electrolyte level. This also applies to batteries designated as "low maintenance" and "maintenance-free".



- When the vehicle is not going to be used over a long period of time, disconnect the battery cable from the negative terminal. (If the vehicle has an extended storage switch, turn it off.)



- Check the charge condition of the battery. Periodically check the specific gravity of the electrolyte. Keep a close check on charge condition to prevent over-discharge.



CHECKING ELECTROLYTE LEVEL

WARNING:

Never allow battery fluid to come in contact with skin, eyes, fabrics, or painted surfaces. After touching a battery, never touch or rub your eyes until you have thoroughly washed your hands. If acid contacts eyes, skin or clothing, immediately flush with water for 15 minutes and seek medical attention.

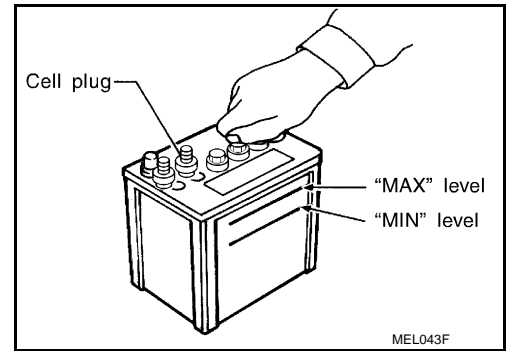
A
B
C
D
E
F
G
H
I
J
K
L
PG
N
O
P

BATTERY

[POWER SUPPLY & GROUND CIRCUIT]

< BASIC INSPECTION >

- Remove the cell plug using a suitable tool.
- Add distilled water up to the MAX level.

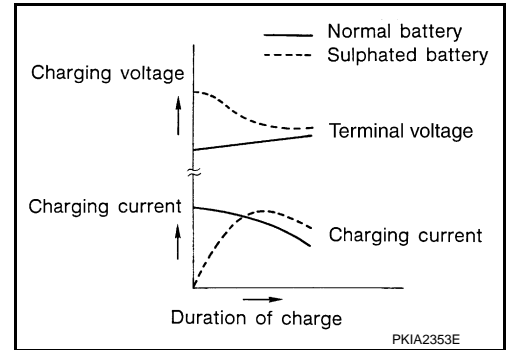


Sulphation

A battery will be completely discharged if it is left unattended for a long time and the specific gravity will become less than 1.100. This may result in sulphation on the cell plates.

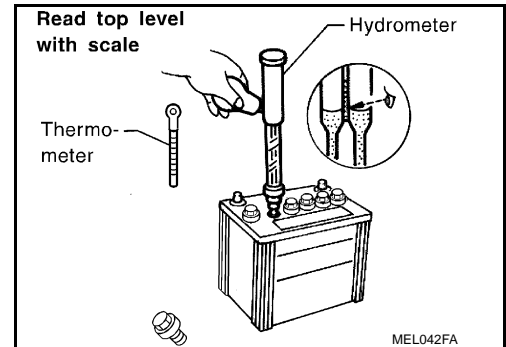
To determine if a battery has been “sulphated”, note its voltage and current when charging it. As shown in the figure, less current and higher voltage are observed in the initial stage of charging sulphated batteries.

A sulphated battery may sometimes be brought back into service by means of a long, slow charge, 12 hours or more, followed by a battery capacity test.



SPECIFIC GRAVITY CHECK

1. Read hydrometer and thermometer indications at eye level.
2. Use the chart below to correct your hydrometer reading according to electrolyte temperature.



Hydrometer Temperature Correction

Battery electrolyte temperature [°C (°F)]	Add to specific gravity reading
71 (160)	0.032
66 (150)	0.028
60 (140)	0.024
54 (130)	0.020
49 (120)	0.016
43 (110)	0.012
38 (100)	0.008
32 (90)	0.004
27 (80)	0
21 (70)	-0.004
16 (60)	-0.008
10 (50)	-0.012
4 (40)	-0.016
-1 (30)	-0.020
-7 (20)	-0.024

BATTERY

< BASIC INSPECTION >

[POWER SUPPLY & GROUND CIRCUIT]

Battery electrolyte temperature [°C (°F)]	Add to specific gravity reading
-12 (10)	-0.028
-18 (0)	-0.032

Corrected specific gravity	Approximate charge condition
1.260 - 1.280	Fully charged
1.230 - 1.250	3/4 charged
1.200 - 1.220	1/2 charged
1.170 - 1.190	1/4 charged
1.140 - 1.160	Almost discharged
1.110 - 1.130	Completely discharged

CHARGING THE BATTERY

CAUTION:

- Never “quick charge” a fully discharged battery.
- Keep the battery away from open flame while it is being charged.
- When connecting the charger, connect the leads first, then turn on the charger. Never turn on the charger first, as this may cause a spark.
- If battery electrolyte temperature rises above 55 °C (131 °F), stop charging. Always charge battery at a temperature below 55 °C (131 °F).

Charging Rates

Amps	Time
50	1 hour
25	2 hours
10	5 hours
5	10 hours

Do not charge at more than 50 ampere rate.

NOTE:

The ammeter reading on your battery charger will automatically decrease as the battery charges. This indicates that the voltage of the battery is increasing normally as the state of charge improves. The charging amps indicated above refer to initial charge rate.

- If, after charging, the specific gravity of any two cells varies more than 0.050, the battery should be replaced.

Work Flow

INFOID:000000005240734

TROUBLE DIAGNOSIS WITH BATTERY SERVICE CENTER

For battery testing, use Battery Service Center (J-48087). For details and operating instructions, refer to Technical Service Bulletin and/or Battery Service Center User Guide.

POWER SUPPLY ROUTING CIRCUIT

< DTC/CIRCUIT DIAGNOSIS >

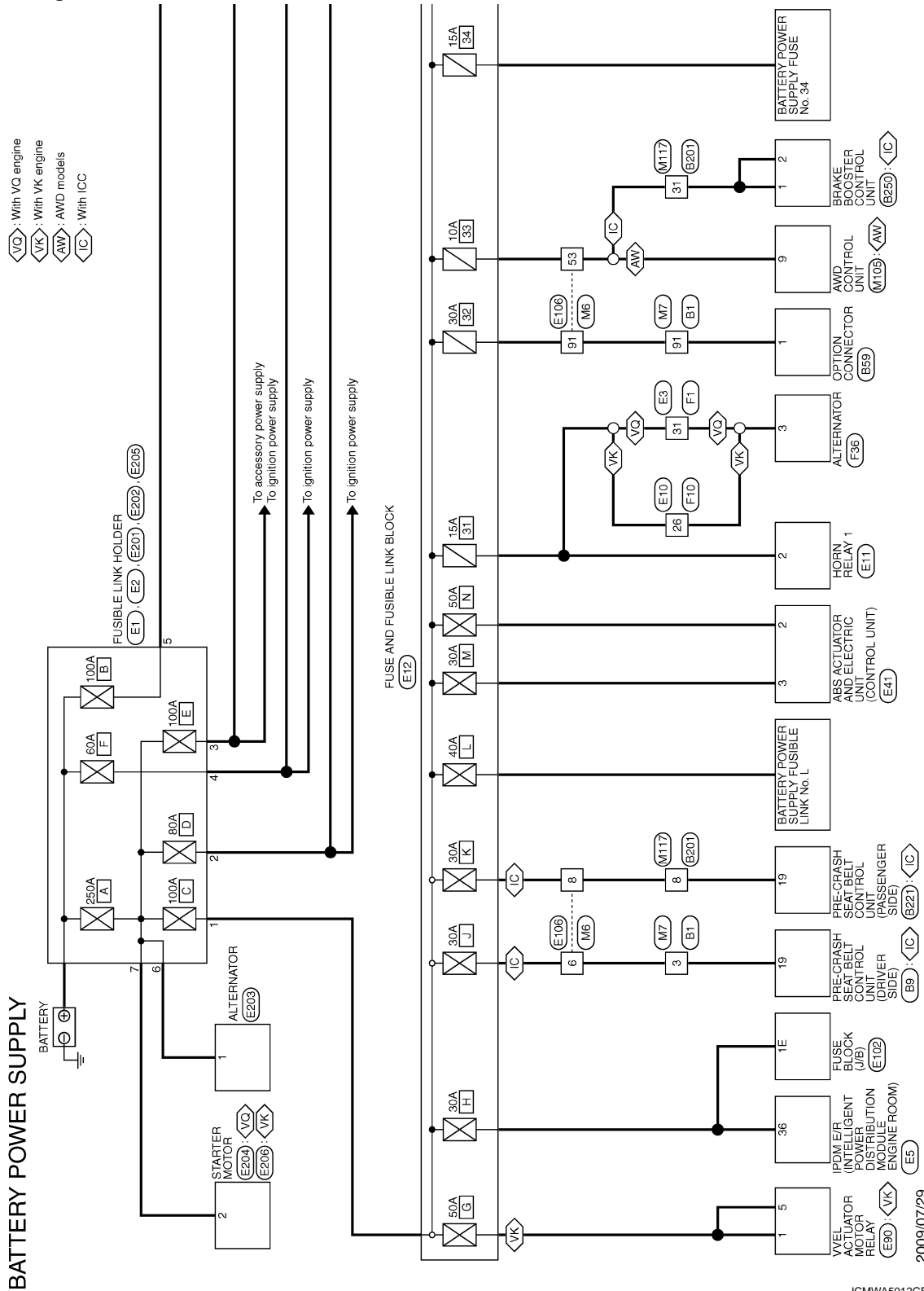
[POWER SUPPLY & GROUND CIRCUIT]

DTC/CIRCUIT DIAGNOSIS

POWER SUPPLY ROUTING CIRCUIT

Wiring Diagram - BATTERY POWER SUPPLY -

INFOID:000000005550369



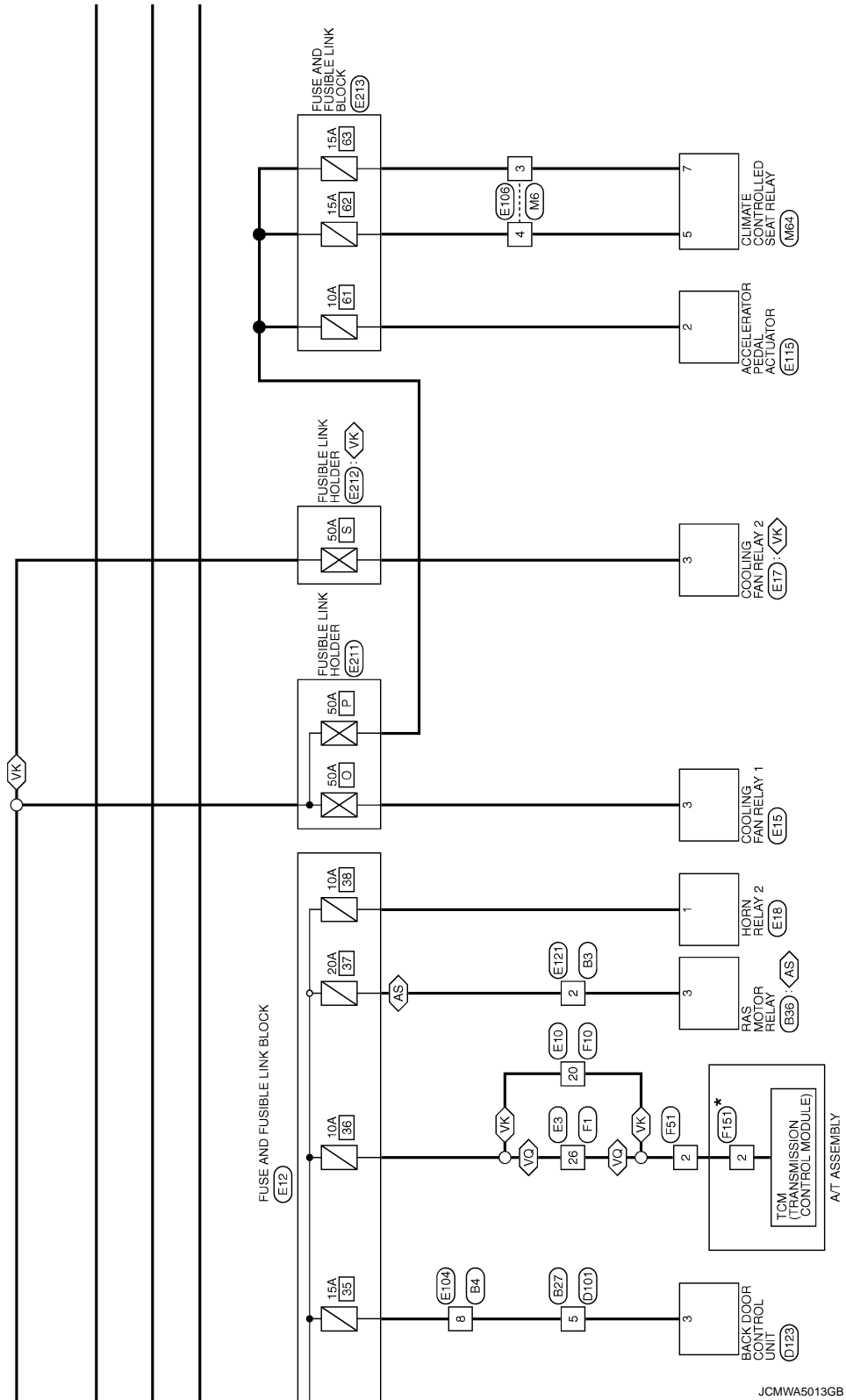
POWER SUPPLY ROUTING CIRCUIT

[POWER SUPPLY & GROUND CIRCUIT]

< DTC/CIRCUIT DIAGNOSIS >

- ◇VQ: With VQ engine
- ◇VK: With VK engine
- ◇AS: With RAS

*: This connector is not shown in "Harness Layout".



JCMWA5013GB

A
B
C
D
E
F
G
H
I
J
K
L
N
O
P

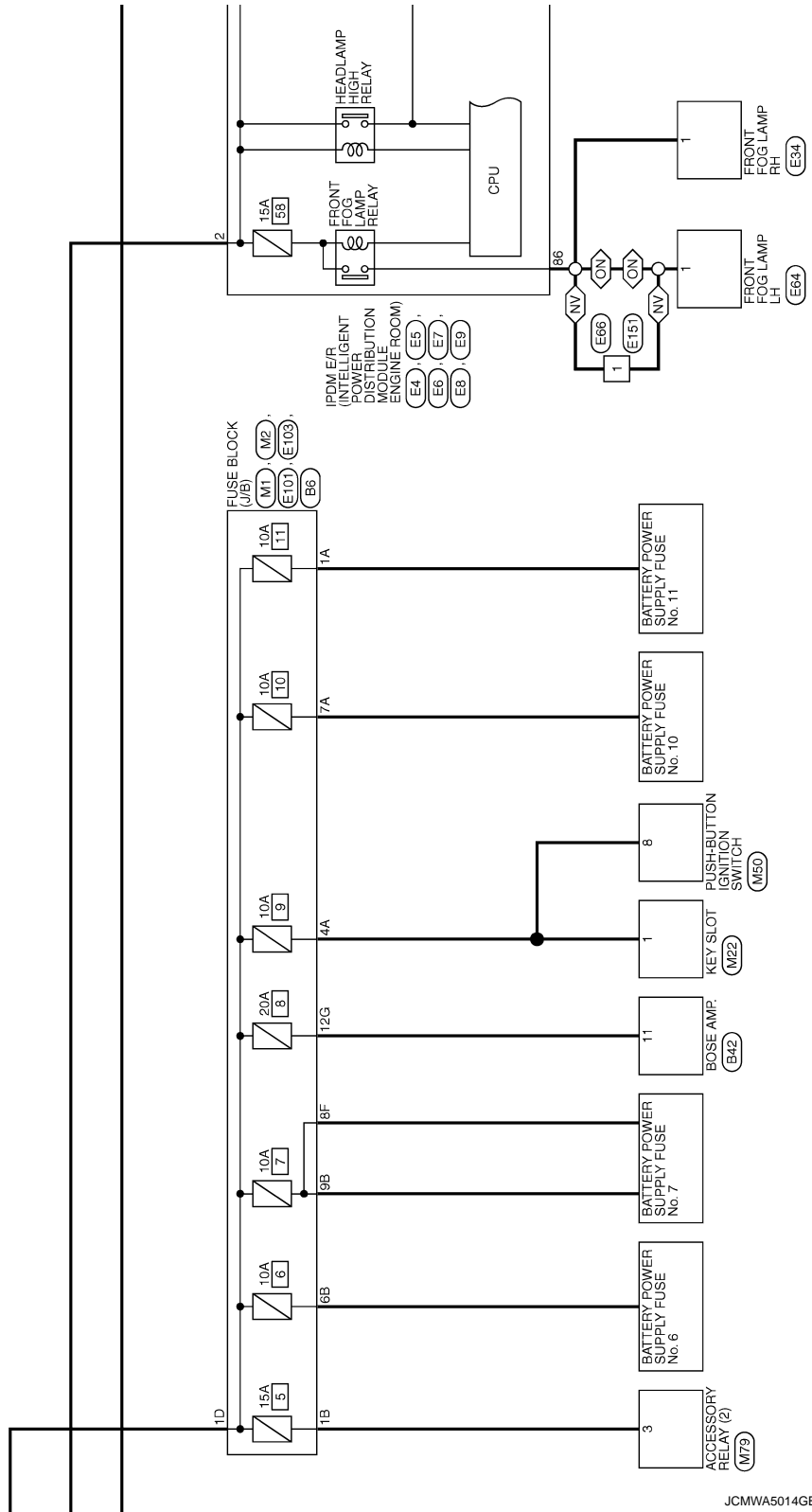
PG

POWER SUPPLY ROUTING CIRCUIT

< DTC/CIRCUIT DIAGNOSIS >

[POWER SUPPLY & GROUND CIRCUIT]

NV : With NAVI
ON : Without NAVI



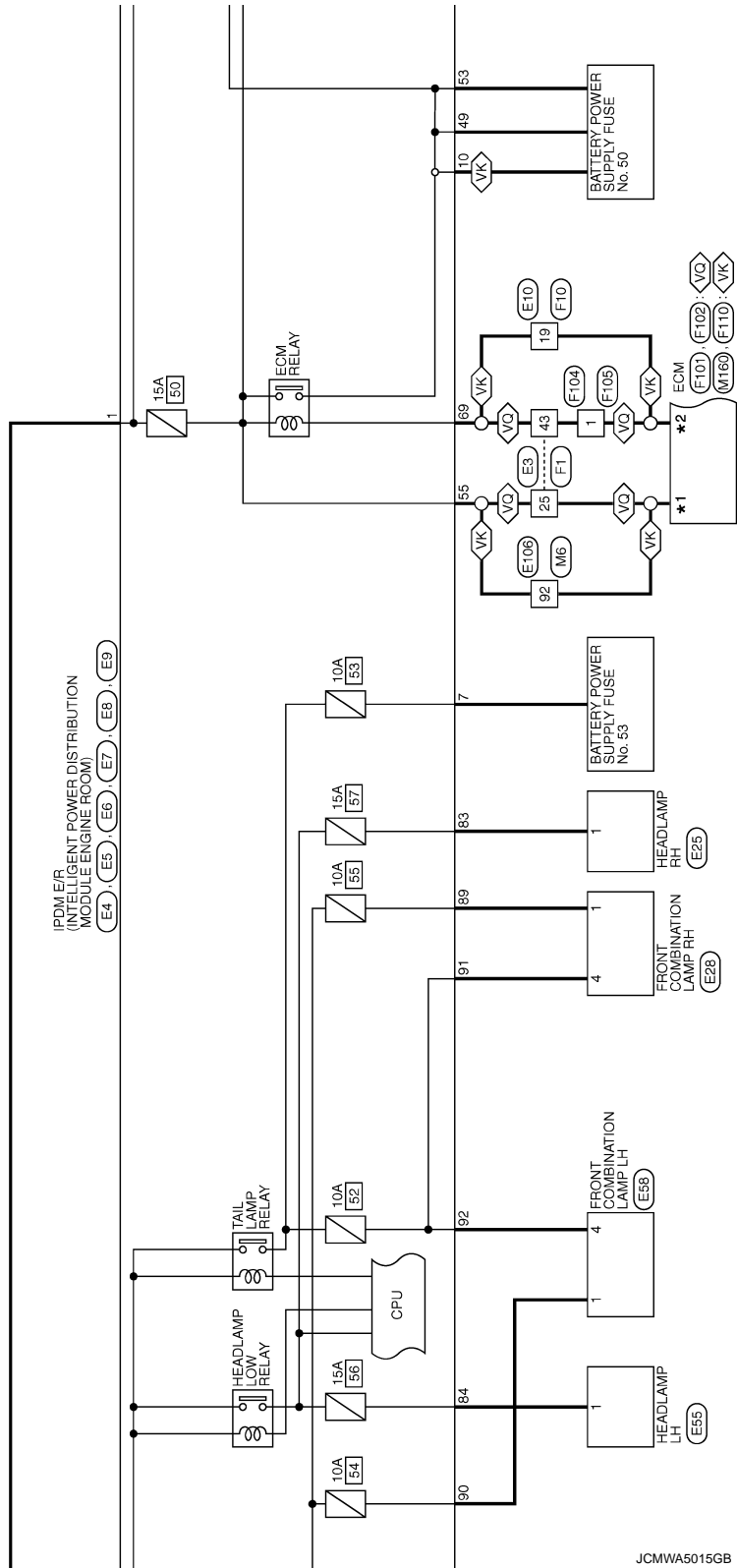
JCMWA5014GB

POWER SUPPLY ROUTING CIRCUIT

[POWER SUPPLY & GROUND CIRCUIT]

< DTC/CIRCUIT DIAGNOSIS >

- ◇VQ◇ : With VC engine
- ◇VK◇ : With VK engine
- ★1 93:◇VQ◇
- 118:◇VK◇
- ★2 24:◇VQ◇
- 15:◇VK◇





JCMWA5015GB

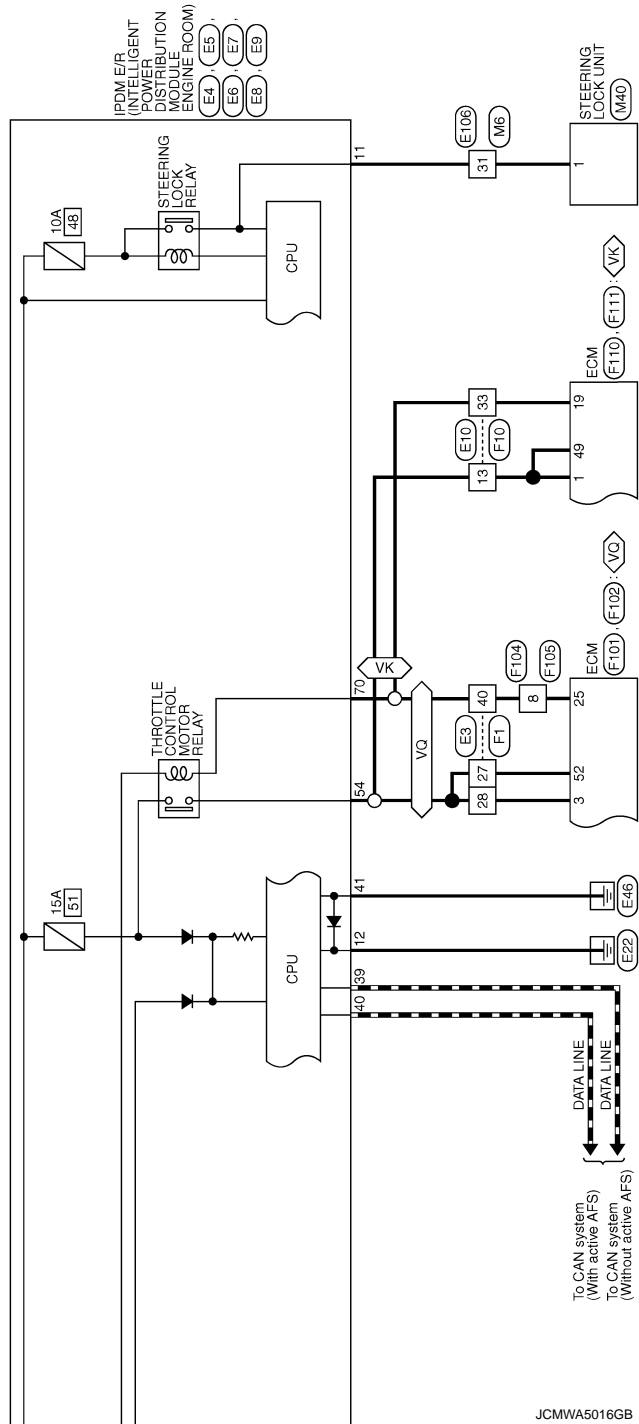
A
B
C
D
E
F
G
H
I
J
K
L
PG
N
O
P

POWER SUPPLY ROUTING CIRCUIT

< DTC/CIRCUIT DIAGNOSIS >

[POWER SUPPLY & GROUND CIRCUIT]

 : With VQ engine
 : With VK engine



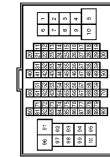
POWER SUPPLY ROUTING CIRCUIT

[POWER SUPPLY & GROUND CIRCUIT]

< DTC/CIRCUIT DIAGNOSIS >

BATTERY POWER SUPPLY

Connector No.	B1
Connector Name	WIRE TO WIRE
Connector Type	THBDFW-CS16-TM4



Terminal No.	Color of Wire	Signal Name [Specification]
1	G	-
2	L	-
3	W	-
5	G	-
6	G	-
7	P	-
8	O	-
9	W	-
10	SB	-
11	SB	-
12	B	-
13	G	-
14	R	-
15	W	-
16	SHIELD	-
17	L	-
18	P	-
19	G	-
20	Y	-
21	W	-
23	V	-
24	P	-
25	BR	-
26	GR	-
27	O	-
28	W	-
29	SHIELD	-
38	B	-
39	B	-
40	LG	-
41	G	-
42	GR	-
43	SB	-
44	V	-
45	GR	-
50	B	-
51	V	-
52	SB	-

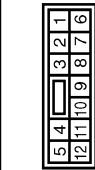
53	SHIELD	-
54	BR	-
55	Y	-
56	SHIELD	-
57	P	-
58	L	-
59	SHIELD	-
60	L	-
61	P	-
62	GR	-
63	G	-
64	O	-
65	W	-
66	V	-
67	LG	-
68	Y	- [With VK engine]
69	G	- [With VQ engine]
70	GR	-
71	G	-
72	B	-
73	W	-
74	V	-
75	O	-
76	LG	-
77	L	-
78	GR	-
79	W	-
80	L	-
81	P	-
82	P	-
83	P	-
84	SB	-
85	R	-
86	Y	-
87	B	-
88	G	-
89	BR	-
90	W	-
91	R	-
92	O	-
93	BR	-
94	V	-
95	Y	-
96	O	-
97	W	-
98	GR	-
99	W	-

Connector No.	B3
Connector Name	WIRE TO WIRE
Connector Type	IM22FW-LC



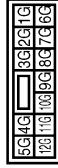
Terminal No.	Color of Wire	Signal Name [Specification]
1	R	- [With VK engine]
1	L	- [With VQ engine]
2	R	-

Connector No.	B4
Connector Name	WIRE TO WIRE
Connector Type	NS12FW-CS



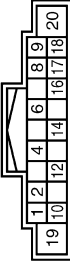
Terminal No.	Color of Wire	Signal Name [Specification]
1	W	-
2	Y	-
3	BR	-
4	L	-
5	G	-
7	SHIELD	-
8	R	-
9	LG	-
10	BR	-
11	O	-
12	GR	-

Connector No.	B6
Connector Name	FUSE BLOCK (J/B)
Connector Type	NS12FER-CS



Terminal No.	Color of Wire	Signal Name [Specification]
4G	R	-
5G	LG	-
7G	O	-
10G	W	-
11G	W	-
12G	GR	-

Connector No.	B9
Connector Name	PRE-DRASH SEAT BELT CONTROL UNIT (DRIVER SIDE)
Connector Type	TH18FW-CS2



Terminal No.	Color of Wire	Signal Name [Specification]
1	SB	SIG BAT
2	G	OUT 1
4	P	CAN L0
6	LG	BUGGLE SW LH NO
8	G	LOCAL COMM 2
9	BR	SHIELD GND
10	B	SENS POWER 1
12	R	OUT 2
14	L	CAN HI
16	W	LOCAL COMM 1
17	W	SENS GND 1
18	B	SIG GND
19	W	MOTOR BAT
20	B	MOTOR GND

JCMWA5017GB

A
B
C
D
E
F
G
H
I
J
K
L
PG
N
O
P

POWER SUPPLY ROUTING CIRCUIT

< DTC/CIRCUIT DIAGNOSIS >

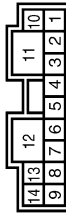
[POWER SUPPLY & GROUND CIRCUIT]

BATTERY POWER SUPPLY

Connector No.	B27
Connector Name	WIRE TO WIRE
Connector Type	M08BMW-LC



Connector No.	B42
Connector Name	BOSE AMP.
Connector Type	SS0A12EBR-SJ42



Terminal No.	Color of Wire	Signal Name [Specification]
1	G	-
2	B	-
3	W	-
4	B	-
5	R	-
6	GR	-

Connector No.	B36
Connector Name	RAS MOTOR RELAY
Connector Type	MS22FL-M2-LC



Terminal No.	Color of Wire	Signal Name [Specification]
1	Y	SOUND SIGNAL REAR DOOR SPEAKER LH (+)
2	SB	SOUND SIGNAL REAR DOOR SPEAKER RH (-)
3	V	SOUND SIGNAL REAR DOOR SPEAKER RH (-)
4	L	SOUND SIGNAL FRONT DOOR SPEAKER LH (+)
5	P	SOUND SIGNAL FRONT DOOR SPEAKER LH (-)
6	O	SOUND SIGNAL FRONT SQJAWKER LH (+)
7	W	SOUND SIGNAL FRONT DOOR SPEAKER RH (-)
8	LG	SOUND SIGNAL WOODFER AND REAR SQJAWKER (+)
9	G	SOUND SIGNAL WOODFER AND REAR SQJAWKER (+)
10	G	SOUND SIGNAL REAR DOOR SPEAKER LH (-)
11	GR	BATTERY
12	B	GND
13	Y	SOUND SIGNAL WOODFER AND REAR SQJAWKER (-)
14	R	SOUND SIGNAL WOODFER AND REAR SQJAWKER (-)

Connector No.	B59
Connector Name	OPTION CONNECTOR
Connector Type	MD1FW-LC



Terminal No.	Color of Wire	Signal Name [Specification]
1	SB	-
2	GR	-
3	R	-
5	P	-

Terminal No.	I	R
Color of Wire		
Signal Name [Specification]		

JCMWA5018GB

POWER SUPPLY ROUTING CIRCUIT

[POWER SUPPLY & GROUND CIRCUIT]

< DTC/CIRCUIT DIAGNOSIS >

BATTERY POWER SUPPLY

Connector No.	B201
Connector Name	WIRE TO WIRE
Connector Type	TH08FW-CS16-TM4



Terminal No.	Color of Wire	Signal Name [Specification]
1	G	-
2	R	-
3	BR	-
4	SB	-
6	O	-
7	GR	-
8	W	-
10	G	-
11	BR	-
12	Y	-
13	SHIELD	-
14	G	-
15	R	-
16	SHIELD	-
17	LG	-
18	GR	-
19	V	-
20	SB	-
21	LG	-
22	B	- [With entertainment system] - [Without entertainment system]
23	W	- [With entertainment system] - [Without entertainment system]
23	LG	- [With entertainment system] - [Without entertainment system]
24	R	- [With entertainment system] - [Without entertainment system]
24	W	- [With entertainment system] - [Without entertainment system]
25	SHIELD	- [With entertainment system] - [Without entertainment system]
25	V	- [With entertainment system] - [Without entertainment system]
26	SB	-
27	V	-
28	SHIELD	-
29	O	-
30	P	-
31	W	-
32	GR	-
33	SB	-
40	LG	- [With ICC] - [Without ICC]
40	V	- [With ICC] - [Without ICC]
41	SB	- [With ICC] - [Without ICC]

41	Y	- [Without ICC] - [With ICC]
42	V	- [Without ICC] - [With ICC]
43	W	- [Without ICC] - [With ICC]
43	BR	- [Without ICC] - [With ICC]
43	B	- [Without ICC] - [With ICC]
44	R	-
45	G	-
46	O	- [With ICC] - [Without ICC]
46	SHIELD	- [With ICC] - [Without ICC]
47	L	- [Without ICC] - [With ICC]
47	B	- [Without ICC] - [With ICC]
48	P	- [With ICC] - [Without ICC]
48	R	- [Without ICC] - [With ICC]
49	G	- [With ICC] - [Without ICC]
49	W	- [With ICC] - [Without ICC]
50	SHIELD	-
51	W	-
52	R	-
53	G	-
54	L	-
55	SB	-
60	GR	-
61	LG	-
62	SB	-
63	P	-
64	BR	-
65	Y	-
66	V	-
67	W	-
68	SHIELD	-
69	G	-
71	SB	-
72	V	-
73	LG	-
74	W	-
75	BR	-
76	V	-
77	LG	-
80	O	-
81	G	-
82	P	-
83	Y	-
84	R	-
85	SB	-
86	GR	-
87	L	-
91	V	-
92	W	-
93	R	-
94	LG	-
95	GR	-
96	W	-

97	G	-
98	O	-
99	L	-
100	Y	-

Connector No.	B221
Connector Name	PRE-CRASH SEAT BELT CONTROL UNIT (PASSENGER SIDE)
Connector Type	TH18FW-CS2



Terminal No.	Color of Wire	Signal Name [Specification]
1	Y	SIG BATT
6	V	BUCKLE SW RH NO
8	G	LOCAL COMM 2
9	SHIELD	SHIELD GND
16	W	LOCAL COMM 1
18	B	SIG GND
19	W	MOTOR BATT
20	B	MOTOR GND

Connector No.	B230
Connector Name	BRAKE BOOSTER CONTROL UNIT
Connector Type	TK24FW



Terminal No.	Color of Wire	Signal Name [Specification]
1	W	BATTERY
2	W	BATTERY
5	P	ITS COMM-L
6	SB	RELEASE SW PWR
8	R	BRAKE PRESSURE SEN PWR
10	G	BOOSTER SOL PWR
12	R	BOOSTER SOL GND
14	L	ITS COMM-H

15	V	RELEASE SW (NO)
17	G	BRAKE PRESSURE SEN SIGNAL
19	B	GND
20	B	GND
21	GR	CHIME SIGNAL
22	BR	RELEASE SW (NO)
24	O	BRAKE PRESSURE SET GND

Connector No.	D101
Connector Name	WIRE TO WIRE
Connector Type	M06FW-LC



Terminal No.	Color of Wire	Signal Name [Specification]
1	G	-
2	B	-
3	B	-
4	B	-
5	SB	-
6	GR	-

A
B
C
D
E
F
G
H
I
J
K
L
M
N
O
P

PG

JCMWA5019GB

POWER SUPPLY ROUTING CIRCUIT

< DTC/CIRCUIT DIAGNOSIS >

[POWER SUPPLY & GROUND CIRCUIT]

BATTERY POWER SUPPLY

Connector No.	D123
Connector Name	BACK DOOR CONTROL UNIT
Connector Type	HSUPW-GS



1	2	3	4
5	6	7	8
9	10		

Terminal No.	Color of Wire	Signal Name [Specification]
1	L	GLOSE SW
2	O	HALF SW
3	SB	BATTERY
4	G	MTR.CLOSE
5	P	OPEN SW
6	W	B D OPEN
7	B	A S DOOR SW
8	GR	GND
10	V	MTR.OPEN

Connector No.	E1
Connector Name	FUSIBLE LINK HOLDER
Connector Type	LOFBR-MC



1	2
---	---

Terminal No.	Color of Wire	Signal Name [Specification]
1	R	
2	W	

Connector No.	E2
Connector Name	FUSIBLE LINK HOLDER
Connector Type	LO2FCY-MC



4	3
---	---

Terminal No.	Color of Wire	Signal Name [Specification]
3	L	
4	R	

Connector No.	E3
Connector Name	WIRE TO WIRE
Connector Type	SAA36MB-RS10-SJ22



1	2	3	4	5	6	7	8	9	10	11	12	13	14	15	16	17	18	19	20	21	22	23	24	25	26	27	28	29	30	31	32	33	34	35	36	37	38	39	40	41	42	43	44	45	46	47	48	49	50
---	---	---	---	---	---	---	---	---	----	----	----	----	----	----	----	----	----	----	----	----	----	----	----	----	----	----	----	----	----	----	----	----	----	----	----	----	----	----	----	----	----	----	----	----	----	----	----	----	----

Terminal No.	Color of Wire	Signal Name [Specification]
19	W	
20	GR	
21	G	
22	LG	
23	W	
25	BR	
26	BR	
27	R	
28	R	
29	L	
30	V	
31	LG	
32	L	
33	P	
34	G	
35	Y	
40	O	
41	W	
42	V	
43	W	

Connector No.	E4
Connector Name	IPWME INTELLIGENT POWER DISTRIBUTION MODULE (ENGINE ROOM)
Connector Type	LO2FB-MC



1	2
---	---

Terminal No.	Color of Wire	Signal Name [Specification]
1	W	
2	L	

Connector No.	E5
Connector Name	IPWME INTELLIGENT POWER DISTRIBUTION MODULE (ENGINE ROOM)
Connector Type	TH2DFW-CS1Z-M4-1V



1	2	3	4	5	6	7	8	9	10	11	12	13	14	15	16	17	18	19	20	21	22	23	24	25	26	27	28	29	30	31	32	33	34	35	36	37	38	39	40	41	42	43	44	45	46	47	48	49	50
---	---	---	---	---	---	---	---	---	----	----	----	----	----	----	----	----	----	----	----	----	----	----	----	----	----	----	----	----	----	----	----	----	----	----	----	----	----	----	----	----	----	----	----	----	----	----	----	----	----

Terminal No.	Color of Wire	Signal Name [Specification]
4	V	
5	L	
7	R	
10	SB	
11	BR	
12	B	
13	Y	
16	LG	
19	W	
25	G	
26	R	
27	Y	
28	O	
30	GR	
32	SB	
33	P	
36	G	

Connector No.	E6
Connector Name	IPWME INTELLIGENT POWER DISTRIBUTION MODULE (ENGINE ROOM)
Connector Type	TH48FW-NH



42	41	40	39
46	45	44	43

Terminal No.	Color of Wire	Signal Name [Specification]
39	P	
40	L	
41	B	
42	Y	
43	SB	
44	W	
45	G	
46	BR	

POWER SUPPLY ROUTING CIRCUIT

< DTC/CIRCUIT DIAGNOSIS >

[POWER SUPPLY & GROUND CIRCUIT]

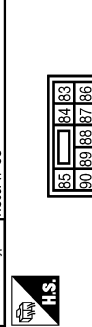
BATTERY POWER SUPPLY

Connector No.	E7
Connector Name	ENGINE ROOM INTELLIGENT POWER DISTRIBUTION MODULE (ENGINE ROOM)
Connector Type	TH2DFW-CS12-M4



Terminal No.	Color of Wire	Signal Name [Specification]
48	L	-
49	W	- [With VK engine]
49	SB	- [With VG engine]
51	G	-
52	W	-
53	W	-
54	R	-
55	BR	-
56	O	- [With VK engine]
56	V	- [With VG engine]
57	LG	-
58	Y	-
58	W	-
70	O	-
74	G	-
75	Y	-
76	P	- [With VK engine]
76	V	- [With VG engine]
77	B	- [With VK engine]
77	L	- [With VG engine]
80	W	-

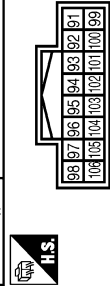
Connector No.	E8
Connector Name	ENGINE ROOM INTELLIGENT POWER DISTRIBUTION MODULE (ENGINE ROOM)
Connector Type	NS08FW-CS



Terminal No.	83	R	-
--------------	----	---	---

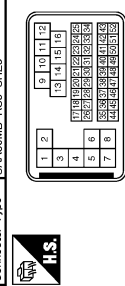
84	P	-
86	W	-
88	G	-
88	BR	-
90	Y	-

Connector No.	E9
Connector Name	ENGINE ROOM INTELLIGENT POWER DISTRIBUTION MODULE (ENGINE ROOM)
Connector Type	TH18FW-NH



Terminal No.	Color of Wire	Signal Name [Specification]
91	P	-
92	O	-
97	V	-
104	LG	-

Connector No.	E10
Connector Name	WIRE TO WIRE
Connector Type	SMA35MB-RS2-SH28



Terminal No.	Color of Wire	Signal Name [Specification]
1	SHIELD	-
2	L	-
3	G	-
4	BR	-
5	G	-
6	BR	-
7	W	-
8	SHIELD	-
8	W	-
10	W	-
11	W	-

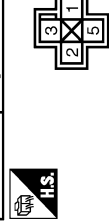
12	W	-
13	R	-
14	LG	-
15	O	-
16	W	-
17	P	-
18	W	-
19	W	-
20	BR	-
21	SB	-
22	W	-
23	V	-
24	Y	-
26	LG	-
27	G	-
28	GR	-
29	P	-
30	W	-
31	G	-
32	L	-
33	O	-
35	R	-
36	SHIELD	-
37	Y	-
38	SHIELD	-
39	W	-
40	SHIELD	-
41	L	-
42	SHIELD	-
43	W	-
44	G	-
45	L	-
46	G	-
47	B	-
48	R	-
49	L	-
50	G	-
51	B	-
52	R	-

Connector No.	E11
Connector Name	HORN RELAY 1
Connector Type	24381_7890A



Terminal No.	Color of Wire	Signal Name [Specification]
1	LG	-
2	BR	-
3	G	-

Connector No.	E15
Connector Name	COOLING FAN RELAY 1
Connector Type	24347_9F900



Terminal No.	Color of Wire	Signal Name [Specification]
1	Y	-
2	G	-
3	W	-
5	R	-

JCMWA5021GB

A
B
C
D
E
F
G
H
I
J
K
L
PG
N
O
P

POWER SUPPLY ROUTING CIRCUIT

< DTC/CIRCUIT DIAGNOSIS >

[POWER SUPPLY & GROUND CIRCUIT]

BATTERY POWER SUPPLY

Connector No.	E17
Connector Name	COOLING FAN RELAY 2
Connector Type	24347-9F200



Terminal No.	Color of Wire	Signal Name [Specification]
1	B	
2	R	
3	GR	
5	L	

Connector No.	E18
Connector Name	HORN RELAY 2
Connector Type	M03FW-FE-LC



Terminal No.	Color of Wire	Signal Name [Specification]
1	P	
2	Y	
3	G	

Connector No.	E25
Connector Name	HEADLAMP RH
Connector Type	E02FGY-RS



Terminal No.	Color of Wire	Signal Name [Specification]
1	B	
2	B	

Connector No.	E28
Connector Name	FRONT COMBINATION LAMP RH
Connector Type	RS04FB-PR



Terminal No.	Color of Wire	Signal Name [Specification]
1	BR	
2	V	
3	B	
4	P	

Connector No.	E24
Connector Name	FRONT FOG LAMP RH
Connector Type	FI202FB



Terminal No.	Color of Wire	Signal Name [Specification]
1	W	
2	B/W	

Connector No.	E41
Connector Name	ABS ACTUATOR AND ELECTRIC UNIT (CONTROL UNIT)
Connector Type	BAA402EB-AHE24-LH



Terminal No.	Color of Wire	Signal Name [Specification]
1	B	GND
2	G	UBMR
3	R	UBVR
4	B	GND
5	Y	DS FL
6	O	DP RL
7	BR	DP RR
9	B	DP FR
10	W	DS FR
12	L	VAC
14	P	GAN-L
15	SHIELD	AGND
19	P	1UST
25	Y	BUS-L
26	R	DP FL
27	GR	DS RL
28	G	UZ
29	LG	DS RR
30	SB	BLS
31	R	VDC OFF SW
35	L	GAN-H
45	B	BUS-H

Connector No.	E25
Connector Name	HEADLAMP LH
Connector Type	E02FGY-RS



Terminal No.	Color of Wire	Signal Name [Specification]
1	GR	
2	B/W	

1	P
2	B

Connector No.	E28
Connector Name	FRONT COMBINATION LAMP LH
Connector Type	RS04FB-PR



Terminal No.	Color of Wire	Signal Name [Specification]
1	Y	
2	G	
3	B	
4	O	

Connector No.	E24
Connector Name	FRONT FOG LAMP LH
Connector Type	FI202FB



Terminal No.	Color of Wire	Signal Name [Specification]
1	L	
1	GR	- [With NAV]
2	GR	- [Without NAV]
2	B/W	- [Without NAV]

JCMWA5022GB

POWER SUPPLY ROUTING CIRCUIT

< DTC/CIRCUIT DIAGNOSIS >

[POWER SUPPLY & GROUND CIRCUIT]

BATTERY POWER SUPPLY

Connector No.	E106
Connector Name	WIRE TO WIRE
Connector Type	RS08FB-PR



Terminal No.	Color of Wire	Signal Name [Specification]
1	GR	-
2	L	-
3	Y	-
4	R	-
5	B/W	-
6	BR	-
7	W	-
8	SHIELD	-

Connector No.	E100
Connector Name	VVEL ACTUATOR MOTOR RELAY
Connector Type	Z4347.9F200



Terminal No.	Color of Wire	Signal Name [Specification]
1	R	-
2	L	-
3	W	-
5	Y	-

Connector No.	E101
Connector Name	FUSE BLOCK (J/B)
Connector Type	L01FW-MC



Terminal No.	ID	Color of Wire	Signal Name [Specification]
10	R	-	-

Connector No.	E102
Connector Name	FUSE BLOCK (J/B)
Connector Type	M02FB-LC



Terminal No.	IE	Color of Wire	Signal Name [Specification]
1E	GR	-	-

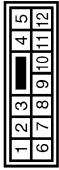
Connector No.	E103
Connector Name	FUSE BLOCK (J/B)
Connector Type	NS16FW-CS



Terminal No.	Color of Wire	Signal Name [Specification]
1E	SB	-
2E	W	-
3E	Y	-
4E	G	-

6F	O	-
8F	L	-
9F	R	-
10F	L	-

Connector No.	E104
Connector Name	WIRE TO WIRE
Connector Type	NS12MW-CS



Terminal No.	Color of Wire	Signal Name [Specification]
1	W	-
2	BR	-
3	L	-
4	Y	-
5	R	-
7	SHIELD	-
8	SB	-
9	CG	-
10	BR	-
11	O	-
12	GR	-

JCMWA5023GB

A
B
C
D
E
F
G
H
I
J
K
L
N
O
P

PG

POWER SUPPLY ROUTING CIRCUIT

[POWER SUPPLY & GROUND CIRCUIT]

< DTC/CIRCUIT DIAGNOSIS >

BATTERY POWER SUPPLY

Connector No.	E106
Connector Name	WIRE TO WIRE
Connector Type	THB0PW-CS16-TM4



Terminal No.	Color of Wire	Signal Name [Specification]
1	G	-
2	O	-
3	SB	-
4	LG	-
5	Y	-
6	W	-
7	G	-
8	V	-
9	R	-
10	BR	-
11	B	-
12	G	-
13	R	-
14	W	-
15	SHIELD	-
16	SB	-
17	L	-
18	P	-
19	G	-
20	W	- [With ICC]
21	BR	- [Without ICC]
22	R	- [With ICC]
23	G	- [Without ICC]
24	L	- [With ICC]
25	Y	- [Without ICC]
26	L	- [With ICC]
27	SHIELD	-
28	G	-
29	LG	-
30	O	-
31	BR	-
32	W	-
33	Y	-
34	O	-
35	SB	-

36	P	-
37	Y	-
38	GR	-
39	LG	-
40	LG	-
41	V	-
42	R	-
43	G	-
44	GR	-
45	W	-
46	W	-
47	L	-
48	P	-
49	SB	-
50	BR	-
51	B	-
52	Y	-
53	O	-
54	R	-
55	SB	-
56	P	-
59	P	-
60	SB	-
61	V	-
62	P	-
63	LG	-
64	L	-
65	O	-
66	L	-
68	L	-
70	SHIELD	-
71	G	-
72	G	-
73	R	-
74	BR	-
76	L	-
77	W	-
78	Y	-
80	SB	-
81	L	-
82	W	-
83	LG	-
84	GR	-
85	G	-
86	P	-
87	W	-
88	O	-
89	LG	-
90	BR	-
91	GR	-
92	BR	-
93	SB	-
94	W	-

95	Y	-
96	W	-
100	Y	-

Connector No.	E115
Connector Name	ACCELERATOR PEDAL ACTUATOR
Connector Type	KD206FB



Terminal No.	Color of Wire	Signal Name [Specification]
1	R	IGNITION
2	O	BATTERY
3	P	ITS COMM-L
4	B	GND
5	L	ITS COMM-H

Connector No.	E121
Connector Name	WIRE TO WIRE
Connector Type	IM20W-LC



Terminal No.	Color of Wire	Signal Name [Specification]
1	Y	-
2	L	-

Connector No.	E151
Connector Name	WIRE TO WIRE
Connector Type	RS30MB-PR



Terminal No.	Color of Wire	Signal Name [Specification]
1	L	-
2	L	-
3	Y	-
4	R	-
5	GR	-
6	BR	-
7	W	-
8	SHIELD	-

Connector No.	E201
Connector Name	FUSIBLE LINK HOLDER
Connector Type	-



Terminal No.	Color of Wire	Signal Name [Specification]
5	L	-

POWER SUPPLY ROUTING CIRCUIT

< DTC/CIRCUIT DIAGNOSIS >

[POWER SUPPLY & GROUND CIRCUIT]

BATTERY POWER SUPPLY

Connector No.	E202
Connector Name	FUSIBLE LINK HOLDER
Connector Type	-



6

Terminal No.	6	B/Y	-
Color of Wire	B/Y	-	-
Signal Name [Specification]	-	-	-

Connector No.	E203
Connector Name	ALTERNATOR
Connector Type	-



1

Terminal No.	1	B/Y	B
Color of Wire	B/Y	B	B
Signal Name [Specification]	-	-	-

Connector No.	E204
Connector Name	STARTER MOTOR
Connector Type	-



2

Terminal No.	2	B/Y	-
Color of Wire	B/Y	-	-
Signal Name [Specification]	-	-	-

Connector No.	E205
Connector Name	FUSIBLE LINK HOLDER
Connector Type	-



7

Terminal No.	7	B/Y	-
Color of Wire	B/Y	-	-
Signal Name [Specification]	-	-	-

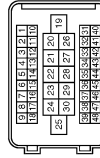
Connector No.	E206
Connector Name	STARTER MOTOR
Connector Type	-



2

Terminal No.	2	B/Y	-
Color of Wire	B/Y	-	-
Signal Name [Specification]	-	-	-

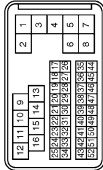
Connector No.	F1
Connector Name	WIRE TO WIRE
Connector Type	-



Terminal No.	10	W	-
Color of Wire	W	-	-
Signal Name [Specification]	-	-	-
Terminal No.	20	GR	-
Color of Wire	GR	-	-
Signal Name [Specification]	-	-	-
Terminal No.	21	P	-
Color of Wire	P	-	-
Signal Name [Specification]	-	-	-
Terminal No.	22	G	-
Color of Wire	G	-	-
Signal Name [Specification]	-	-	-

23	W	-
25	P	-
26	BR	-
27	R	-
28	R	-
29	L	-
30	Y	-
31	V	-
32	LG	-
33	GR	-
34	G	-
35	Y	-
40	O	-
41	SB	-
42	P	-
43	BR	-

Connector No.	F10
Connector Name	WIRE TO WIRE
Connector Type	-



Terminal No.	1	SHIELD	-
Color of Wire	SHIELD	-	-
Signal Name [Specification]	-	-	-
Terminal No.	2	Y	-
Color of Wire	Y	-	-
Signal Name [Specification]	-	-	-
Terminal No.	3	G	-
Color of Wire	G	-	-
Signal Name [Specification]	-	-	-
Terminal No.	4	BR	-
Color of Wire	BR	-	-
Signal Name [Specification]	-	-	-
Terminal No.	5	B	-
Color of Wire	B	-	-
Signal Name [Specification]	-	-	-
Terminal No.	6	W	-
Color of Wire	W	-	-
Signal Name [Specification]	-	-	-
Terminal No.	7	R	-
Color of Wire	R	-	-
Signal Name [Specification]	-	-	-
Terminal No.	8	SHIELD	-
Color of Wire	SHIELD	-	-
Signal Name [Specification]	-	-	-
Terminal No.	9	W	-
Color of Wire	W	-	-
Signal Name [Specification]	-	-	-
Terminal No.	10	G	-
Color of Wire	G	-	-
Signal Name [Specification]	-	-	-
Terminal No.	11	Y	-
Color of Wire	Y	-	-
Signal Name [Specification]	-	-	-
Terminal No.	12	V	-
Color of Wire	V	-	-
Signal Name [Specification]	-	-	-
Terminal No.	13	P	-
Color of Wire	P	-	-
Signal Name [Specification]	-	-	-
Terminal No.	14	L	-
Color of Wire	L	-	-
Signal Name [Specification]	-	-	-
Terminal No.	15	O	-
Color of Wire	O	-	-
Signal Name [Specification]	-	-	-
Terminal No.	16	R	-
Color of Wire	R	-	-
Signal Name [Specification]	-	-	-
Terminal No.	17	GR	-
Color of Wire	GR	-	-
Signal Name [Specification]	-	-	-
Terminal No.	18	G	-
Color of Wire	G	-	-
Signal Name [Specification]	-	-	-
Terminal No.	19	O	-
Color of Wire	O	-	-
Signal Name [Specification]	-	-	-
Terminal No.	20	R	-
Color of Wire	R	-	-
Signal Name [Specification]	-	-	-

21	V	-
22	B	-
23	LG	-
24	Y	-
25	O	-
26	SB	-
27	SB	-
28	LG	-
29	P	-
30	GR	-
31	BR	-
32	G	-
33	L	-
35	P	-
36	SHIELD	-
37	Y	-
38	SHIELD	-
39	W	-
40	SHIELD	-
41	Y	-
42	SHIELD	-
43	W	-
44	LG	-
45	L	-
46	G	-
47	B	-
48	R	-
49	L	-
50	G	-
51	B	-
52	R	-

Connector No.	F35
Connector Name	ALTERNATOR
Connector Type	HS00FE



Terminal No.	2	G	L
Color of Wire	G	L	L
Signal Name [Specification]	-	-	-
Terminal No.	3	O	S [With VK engine]
Color of Wire	O	S	S [With VK engine]
Signal Name [Specification]	-	-	-
Terminal No.	3	V	S [With VG engine]
Color of Wire	V	S	S [With VG engine]
Signal Name [Specification]	-	-	-
Terminal No.	4	P	G
Color of Wire	P	G	G
Signal Name [Specification]	-	-	-

A
B
C
D
E
F
G
H
I
J
K
L
N
O
P

PG

POWER SUPPLY ROUTING CIRCUIT

[POWER SUPPLY & GROUND CIRCUIT]

< DTC/CIRCUIT DIAGNOSIS >

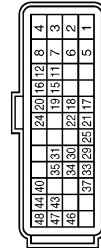
BATTERY POWER SUPPLY

Connector No.	F51
Connector Name	A/T ASSEMBLY
Connector Type	RK10FG-D5Y



Terminal No.	Color of Wire	Signal Name [Specification]
1	Y	-
2	BR	- [With VK engine]
3	L	- [With VO engine]
4	V	-
5	B	-
6	Y	-
7	R	-
8	P	-
9	LG	- [With VK engine]
9	GR	- [With VO engine]
10	B	-

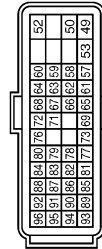
Connector No.	F101
Connector Name	ECM
Connector Type	RH40FB-R28-L-LH-Z



Terminal No.	Color of Wire	Signal Name [Specification]
1	W	AFH1
2	G	MOTOR1-1
3	R	VMOT1
4	BR	MOTOR1-2
5	GR	AFH2
6	SB	EVIC41
7	Y	EVIC42
8	B	GND
11	GR	IGN44
12	L	IGN43

15	V	IGN#5
16	G	IGN#2
17	P	OPRH1
18	W	CVTCH1
19	SB	IGN#6
20	Y	IGN#1
21	GR	E/VAP
22	LG	PPR
24	BR	SSOFF
25	O	MOTHLV1
29	G	CVTCH2
30	Y	TPST-1
31	R	TPST-2
33	SB	OPHR2
34	L	TPSP-1
35	B	TPSP-2
37	LG	POS
40	R	GND-A(TPS)
43	G	AVCC-TPS
44	B	AVCC-TPS
46	R	AVCC-POS
47	Y	GND-POS
48	W	GND-A(INTRES)

Connector No.	F102
Connector Name	ECM
Connector Type	RH40FB-R28-L-LH-Z



Terminal No.	Color of Wire	Signal Name [Specification]
49	L	MOTOR 2-2
50	V	MOTOR 2-1
52	R	VMOT2
53	P	IGNSW
57	L	AF-1
58	Y	E-PHASE#1
59	O	PHASE#1
60	R	AVCC-PHASE#1
61	R	AF-1
62	G	E-PHASE#2
63	SB	PHASE#2
64	W	AVCC-PHASE#2
66	V	AF-2

66	LG	AF-2
67	P	TA1
68	LG	GND-A(TA)
69	W	KNK3
71	Y	TW
72	B/W	GND-A
73	W	KNK1
76	W	OZSR1
77	SB	GA1+
78	G	TO1
79	GR	GA2-
80	O	OZSR2
81	R	IN#3
82	V	IN#6
83	R	TA-2
84	B	GND-A(TW-TO)
85	BR	IN#2
86	W	IN#5
87	Y	PSPRES
88	L	GND-A
89	GR	IN#1
90	O	IN#4
91	SB	CURSEN
92	P	GND-PHASE#2
93	P	BATT
94	LG	GND-PSPRES
95	G	GND-A-CURSEN
96	B	GND-A

Connector No.	F104
Connector Name	WIRE TO WIRE
Connector Type	TH40FW-NH



Terminal No.	Color of Wire	Signal Name [Specification]
1	BR	-
2	V	-
3	L	-
4	Y	-
6	GR	-
7	LG	-
8	O	-

Connector No.	F105
Connector Name	WIRE TO WIRE
Connector Type	TH40BMH-NH



Terminal No.	Color of Wire	Signal Name [Specification]
1	BR	-
2	V	-
3	L	-
4	Y	-
6	GR	-
7	LG	-
8	O	-

POWER SUPPLY ROUTING CIRCUIT

[POWER SUPPLY & GROUND CIRCUIT]

< DTC/CIRCUIT DIAGNOSIS >

BATTERY POWER SUPPLY

Connector No.	F110
Connector Name	ECM
Connector Type	RH40FB-R28-L1H-Z

48	44	40	36	32	24	24	8	4
47	43	39	35	31	23	19	15	3
42	38	34	30	26	22	18	14	2
45	41	37	33	29	25	21	17	13
								9
								5
								1



Terminal No.	Color of Wire	Signal Name [Specification]
1	P	VMOT-B2
2	L	MOTOR1-B2
3	Y	AFH-B1
4	G	AFH-B2
5	R	MOTOR2-B2
6	GR	GND
8	W	EVAP
9	G	IGN #2
10	Y	IGN #1
13	V	IGN #3
14	GR	IGN #4
15	O	SSOFF
17	R	INU #3
18	SB	IGN #5
19	L	MOTRLY
21	W	INU #2
22	LG	IGN #6
23	BR	GND-TW
24	Y	TW
25	P	INU #1
26	L	IGN #7
29	O	INU #7
30	Y	IGN #8
31	B	GND-O2
32	W	O2SR-B1
33	G	INU #8
34	V	GND-TO
35	B/W	GND-KNK1/KNK2
36	LG	O2SR-B2
37	BR	INU #4
38	GR	GND-OA-B2
39	R	TO
40	W	KNK1
41	W	INU #5
42	B	GND-OA/TA-E1
43	SB	OA-B2
44	W	KNK2
45	V	INU #6

47	L	QA-B1
48	Y	TA-B1

Connector No.	F111
Connector Name	ECM
Connector Type	RH40FB-R28-L1H-Z

96	92	88	84	80	76	72	68	64	60	56	52
95	91	87	83	79	75	71	67	63	59	55	51
90	86	82	78	74	70	66	62	58	54	50	
93	89	85	81	77	73	69	65	61	57	53	49



Terminal No.	Color of Wire	Signal Name [Specification]
49	V	VMOT-B1
50	G	MOTOR1-B1
51	O	IN CVT-C-B1
52	L	IN CVT-C-B2
53	BR	MOTOR2-B1
54	B	GND
55	P	COHR-B2
56	R	COHR-B1
57	Y	EX CVT-C-B2
58	B	GND-TPS-B1
59	W	IN PHASE-B1
60	G	EX PHASE-B1
61	G	EX CVT-C-B1
62	L	GND-TPS-B2
63	G	IN PHASE-B2
64	P	EX PHASE-B2
65	LG	ABORT
66	GR	GND-PSFRS/PDPPRS
67	Y	POS
68	B	GND-POS
69	W	INTPRES
70	B	GND-EVAPPRS/INTPRS/OUR
71	R	GND-TPS-B1
72	Y	GND-TPS-B2
73	L	TPS1-B1
74	R	TPS2-B2
76	G	CURSEN
77	B	TPS1-B2
78	Y	TPS2-B1
80	GR	EVAPPRS
81	V	AF (A)-B1
82	LG	AF (A)-B1
83	SB	PSPRES
84	B	AVCC-TPS-B1

85	Y	AF (-) B2
86	O	AF (-) B2
87	R	AVCC2-POS
88	Y	AVCC2-BAK-B2
89	P	ENGCAN-L
90	G	PDPPRS
91	R	AVCC2-PHS-B1
92	W	AVCC2-PRES
93	LG	ENGCAN-H
95	Y	AVCC2-PRES
96	L	AVCC-TPS-B2

Connector No.	F151
Connector Name	TCM (TRANSMISSION CONTROL MODULE)
Connector Type	SP10FG

1	2	3	4	5
6	7	8	9	10



Terminal No.	Color of Wire	Signal Name [Specification]
1	W	VGN
2	B	BATT
3	R	CAN-H
4	O	R LINE
5	G	GND
6	GR	VGN
7	L	REV LAMP RLY
8	BR	CAN-L
9	Y	START RLY
10	W/B	GND

Connector No.	M1
Connector Name	FUSE BLOCK (J/B)
Connector Type	NS106FW-M2

3A	2A	1A
8A	7A	6A/5A/4A



Terminal No.	Color of Wire	Signal Name [Specification]
1A	O	
2A	L	
3A	L	
4A	P	
5A	V	
6A	Y	
7A	R	
8A	L	

Connector No.	M2
Connector Name	FUSE BLOCK (J/B)
Connector Type	NS106FW-CS



4B	3B	2B	1B
10B	9B	8B	7B
			6B
			5B

Terminal No.	Color of Wire	Signal Name [Specification]
1B	LG	
3B	P	
4B	G	
5B	O	
6B	Y	
7B	L	
8B	R	
9B	BR	

A
B
C
D
E
F
G
H
I
J
K
L
PG
N
O
P

POWER SUPPLY ROUTING CIRCUIT

< DTC/CIRCUIT DIAGNOSIS >

[POWER SUPPLY & GROUND CIRCUIT]

BATTERY POWER SUPPLY

Connector No.	M16
Connector Name	WIRE TO WIRE
Connector Type	TH80MW-CS16-TM4



94	L	-
95	G	-
96	W	-
100	Y	-

35	L	-
36	P	-
37	G	-
38	R	-
39	G	-
41	L	-
42	W	-
43	R	-
44	LG	-
45	GR	-
46	W	-
47	L	-
48	P	-
49	O	-
50	LG	-
51	SB	-
52	Y	-
53	O	-
54	BR	-
55	SB	-
56	P	-
59	SB	-
60	SB	-
61	V	-
62	P	-
63	R	-
64	L	-
65	O	-
66	L	-
68	V	-
70	SHIELD	-
71	O	-
72	GR	-
73	W	-
74	SB	-
76	V	-
77	V	-
78	Y	-
80	O	-
81	L	-
82	W	-
83	Y	-
84	L	-
85	P	-
86	BR	-
87	P	-
88	V	-
89	G	-
90	P	-
91	R	-
92	R	-
93	GR	-

Terminal No.	Color of Wire	Signal Name (Specification)
1	G	-
2	O	-
3	SB	-
4	LG	-
5	GR	-
6	W	-
7	G	-
8	W	-
9	P	-
10	BR	-
11	B	-
12	G	-
13	R	-
14	W	-
15	SHIELD	-
16	BR	-
17	L	-
18	P	-
19	G	-
20	W	- [With ICC] - [Without ICC]
21	BR	- [With ICC] - [Without ICC]
22	R	- [With ICC] - [Without ICC]
23	L	- [With ICC] - [Without ICC]
24	P	- [With ICC] - [Without ICC]
25	Y	- [With ICC] - [Without ICC]
26	SHIELD	-
28	GR	-
29	V	-
30	O	-
31	BR	-
32	W	-
33	Y	-
34	L	-

JCMWA5028GB

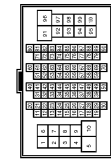
POWER SUPPLY ROUTING CIRCUIT

< DTC/CIRCUIT DIAGNOSIS >

[POWER SUPPLY & GROUND CIRCUIT]

BATTERY POWER SUPPLY

Connector No.	M7
Connector Name	WIRE TO WIRE
Connector Type	TH80MW-C316-TM4

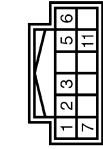


Terminal No.	Color of Wire	Signal Name [Specification]
1	G	-
2	B	-
3	W	-
5	G	-
6	P	-
7	V	-
8	O	-
9	W	-
10	W	-
11	O	-
12	B	-
13	G	-
14	R	-
15	W	-
16	SHIELD	-
17	L	-
18	P	-
19	G	-
20	R	-
21	LG	-
23	V	-
24	P	-
25	BR	-
26	GR	-
27	O	-
28	W	-
29	SHIELD	-
38	B	-
39	B	-
40	LG	-
41	G	-
42	Y	-
43	SB	-
44	W	-
45	B	-
50	B	-
51	V	-
32	LG	-

53	SHIELD	-
54	BR	-
55	Y	-
56	SHIELD	-
57	P	-
58	L	-
59	SHIELD	-
60	L	-
61	BR	-
62	R	-
63	Y	-
64	L	-
65	W	-
66	V	-
67	LG	-
68	Y	-
69	G	-
70	V	-
71	W	-
72	B	-
73	W	-
74	LG	-
75	P	-
76	LG	-
77	SB	-
78	GR	-
79	R	-
80	L	-
81	P	-
82	L	-
83	P	-
84	SB	-
85	W	-
86	Y	-
87	B	-
88	G	-
89	O	-
90	W	-
91	R	-
92	O	-
93	BR	-
94	V	-
95	Y	-
96	O	-
97	W	-
98	R	-
99	G	-
99	O	-

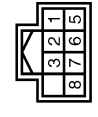
- [With VK engine]
- [With VG engine]

Connector No.	M22
Connector Name	KEY SLOT
Connector Type	TH12FW-NH



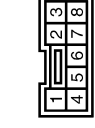
Terminal No.	Color of Wire	Signal Name [Specification]
1	R	BAT
2	GR	CLOCK
3	W	DATA
5	Y	ILL BAT
6	LG	ILL
7	B	GND
11	BR	KEY SWITCH SIGNAL

Connector No.	M40
Connector Name	STEERING LOCK UNIT
Connector Type	TH80FW-NH



Terminal No.	Color of Wire	Signal Name [Specification]
1	BR	S/L 12V (MECHANICAL)
2	GR	S/L (K LINE)
3	L	S/L COND/LON1
5	B	GND
6	B	GND
7	W	S/L 12V (GPU)
8	P	S/L COND/LON2

Connector No.	M50
Connector Name	PUSH-BUTTON IGNITION SWITCH
Connector Type	TK03FBR



Terminal No.	Color of Wire	Signal Name [Specification]
1	B	-
2	R	-
3	O	-
4	SB	-
5	GR	-
6	Y	-
7	V	-
8	P	-

Connector No.	M64
Connector Name	CLIMATE CONTROLLED SEAT RELAY
Connector Type	M03FBR-R-LC



Terminal No.	Color of Wire	Signal Name [Specification]
1	B	-
2	Y	-
3	Y	-
5	LG	-
6	G	-
7	SB	-

A
B
C
D
E
F
G
H
I
J
K
L
N
O
P

PG

POWER SUPPLY ROUTING CIRCUIT

< DTC/CIRCUIT DIAGNOSIS >

[POWER SUPPLY & GROUND CIRCUIT]

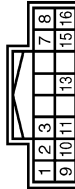
BATTERY POWER SUPPLY

Connector No.	M79
Connector Name	ACCESSORY RELAY (2)
Connector Type	MS2PEL-M2-LC



Terminal No.	Color of Wire	Signal Name [Specification]
1	G	-
2	B	-
3	LG	-
5	L	-

Connector No.	M105
Connector Name	AWD CONTROL UNIT
Connector Type	TH16FW-NH



Terminal No.	Color of Wire	Signal Name [Specification]
1	BR	AWD SOL (+)
2	Y	AWD SOL (-)
3	W	OIL TEMP (-)
7	GR	IGN
8	L	CAN-H
9	O	AWD SOL BAT
10	B	GND
11	B	OIL TEMP (+)
13	LG	VB
15	Y	CAN-L
16	P	CAN-L

Connector No.	M117
Connector Name	WIRE TO WIRE
Connector Type	TH80MW-CS16-TM4

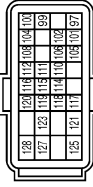


Terminal No.	Color of Wire	Signal Name [Specification]
1	GR	-
2	BR	-
3	V	-
4	SB	-
6	Y	-
7	B	-
8	W	-
10	W	-
11	BR	-
12	GR	-
13	SHIELD	-
14	L	-
15	P	-
16	SHIELD	-
17	Y	-
18	Y	-
19	LG	-
20	SB	-
21	LG	-
22	B	- [With entertainment system]
23	GR	- [Without entertainment system]
24	W	- [With entertainment system]
25	V	- [Without entertainment system]
26	R	- [With entertainment system]
27	W	- [Without entertainment system]
28	SHIELD	-
29	O	-
30	P	-
31	W	-
32	W	-
33	SB	-
40	V	-
41	SB	- [With ICC]
41	Y	- [Without ICC]

Terminal No.	Color of Wire	Signal Name [Specification]
42	V	- [With ICC]
42	W	- [Without ICC]
43	P	- [With ICC]
43	B	- [Without ICC]
44	R	- [With ICC]
45	L	- [Without ICC]
46	O	- [With ICC]
46	SHIELD	- [Without ICC]
47	L	- [With ICC]
47	B	- [Without ICC]
48	P	- [With ICC]
48	R	- [Without ICC]
49	G	- [With ICC]
49	W	- [Without ICC]
50	SHIELD	-
51	O	-
52	GR	-
53	G	-
54	L	-
55	P	-
60	LG	-
61	R	-
62	SB	-
63	V	-
64	Y	-
65	BR	-
66	O	-
67	W	-
68	SHIELD	-
69	G	-
71	SB	-
72	V	-
73	V	-
74	LG	-
75	R	- [With V6 engine]
75	BR	- [With V6 engine]
76	V	-
77	LG	-
80	R	-
81	L	-
82	Y	-
83	O	-
84	W	-
85	SB	-
86	B	-
87	P	-
91	L	-
92	L	-
93	G	-
94	W	- [With V6 engine]
94	O	- [With V6 engine]

95	V	-
96	G	-
97	LG	-
98	L	-
99	LG	-
100	Y	-

Connector No.	M160
Connector Name	ECM
Connector Type	FR124FY-R28-R-LH-Z



Terminal No.	Color of Wire	Signal Name [Specification]
97	R	TACHO
99	L	AVCC2-APSZ [With ICC]
99	G	AVCC2-APSZ [Without ICC]
100	G	AVCC-APSI [With ICC]
100	L	AVCC-APSI [Without ICC]
101	P	VEHCAN-L
102	SB	ASDSW
104	R	APSI
105	L	VEHCAN-H
106	L	IGNSW
108	Y	APSZ [With ICC]
108	P	APSZ [Without ICC]
110	P	BRAKE
111	V	GND-ASCDSW
112	LG	FPCMCK
114	GR	K-LINE
115	BR	GND-APSZ [With ICC]
115	GR	GND-APSZ [Without ICC]
116	G	NEUT-H
117	BR	BNGSW
118	R	BATT
119	W	GND-APSI
120	W	TF
121	GR	VBR
123	B	GND
125	R	FPCM
127	LG	GDCV
128	B	GND

JCMWA5030GB

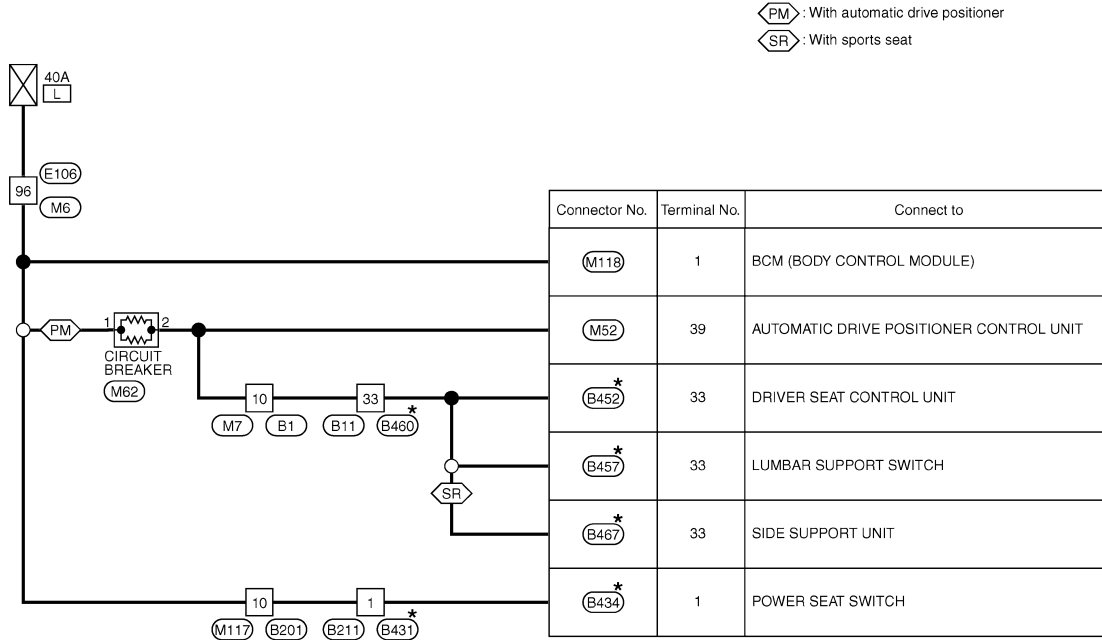
POWER SUPPLY ROUTING CIRCUIT

< DTC/CIRCUIT DIAGNOSIS >

[POWER SUPPLY & GROUND CIRCUIT]

Wiring Diagram - BATTERY POWER SUPPLY FUSIBLE LINK No. L - BATTERY POWER SUPPLY FUSIBLE LINK No. L

INFOID:000000005550370



*: This connector is not shown in "Harness Layout".

2009/07/29

JCMWA5031GB

A
B
C
D
E
F
G
H
I
J
K
L
PG
N
O
P

POWER SUPPLY ROUTING CIRCUIT

< DTC/CIRCUIT DIAGNOSIS >

[POWER SUPPLY & GROUND CIRCUIT]

Connector No.	B11
Connector Name	WIRE TO WIRE
Connector Type	MS16PW-CS



38	40	17	1	3	19
60	33	21	48	32	20

Terminal No.	Color of Wire	Signal Name [Specification]
1	G	-
2	L	-
3	L	-
17	LG	-
19	P	-
21	Y	-
32	B	-
33	SB	-
40	R	-
48	B	-

BATTERY POWER SUPPLY FUSIBLE LINK No. L

Terminal No.	Color of Wire	Signal Name [Specification]
53	SHIELD	-
54	BR	-
55	Y	-
56	SHIELD	-
57	P	-
58	L	-
59	SHIELD	-
60	L	-
61	P	-
62	GR	-
63	G	-
64	O	-
65	W	-
66	V	-
67	LG	-
68	Y	-
69	G	-
70	GR	-
71	G	-
72	B	-
73	W	-
74	V	-
75	O	-
76	LG	-
77	L	-
78	GR	-
79	W	-
80	L	-
81	P	-
82	L	-
83	P	-
84	SB	-
85	R	-
86	Y	-
87	B	-
88	G	-
89	BR	-
90	W	-
91	R	-
92	O	-
93	BR	-
94	V	-
95	Y	-
96	O	-
97	W	-
98	GR	-
99	W	-

Connector No.	B1
Connector Name	WIRE TO WIRE
Connector Type	TH80PW-CS16-TM4



1	2	3	4	5	6	7	8	9	10	11	12	13	14	15	16	17	18	19	20	21	22	23	24	25	26	27	28	29	30	31	32
W	W	W	W	W	W	W	W	W	W	W	W	W	W	W	W	W	W	W	W	W	W	W	W	W	W	W	W	W	W	W	

Terminal No.	Color of Wire	Signal Name [Specification]
1	G	-
2	L	-
3	W	-
5	G	-
6	G	-
7	P	-
8	O	-
9	W	-
10	SB	-
11	SB	-
12	B	-
13	G	-
14	R	-
15	W	-
16	SHIELD	-
17	L	-
18	P	-
19	G	-
20	Y	-
21	W	-
23	V	-
24	P	-
25	BR	-
26	GR	-
27	O	-
28	W	-
29	SHIELD	-
38	B	-
39	B	-
40	LG	-
41	G	-
42	GR	-
43	SB	-
44	V	-
45	GR	-
50	B	-
51	V	-
52	SB	-

JCMWA5032GB

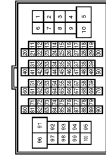
POWER SUPPLY ROUTING CIRCUIT

< DTC/CIRCUIT DIAGNOSIS >

[POWER SUPPLY & GROUND CIRCUIT]

BATTERY POWER SUPPLY FUSIBLE LINK No. L

Connector No.	B201
Connector Name	WIRE TO WIRE
Connector Type	THBDFW-CS16-TM4



Terminal No.	Color of Wire	Signal Name [Specification]
1	G	-
2	R	-
3	BR	-
4	SB	-
6	O	-
7	GR	-
8	W	-
10	G	-
11	BR	-
12	Y	-
13	SHIELD	-
14	G	-
15	R	-
16	SHIELD	-
17	LG	-
18	GR	-
19	V	-
20	SB	-
21	LG	-
22	B	- [With entertainment system] - [Without entertainment system]
23	GR	- [With entertainment system] - [Without entertainment system]
23	W	- [With entertainment system] - [Without entertainment system]
23	LG	- [With entertainment system] - [Without entertainment system]
24	R	- [With entertainment system] - [Without entertainment system]
25	SHIELD	- [With entertainment system] - [Without entertainment system]
25	V	- [With entertainment system] - [Without entertainment system]
26	SB	-
27	V	-
28	SHIELD	-
29	O	-
30	P	-
31	W	-
32	GR	-
33	SB	-
40	LG	- [With ICC] - [Without ICC]
40	V	- [With ICC] - [Without ICC]
41	SB	-

41	Y	- [Without ICC] - [With ICC]
42	V	- [Without ICC] - [With ICC]
42	W	- [Without ICC] - [With ICC]
43	BR	- [Without ICC] - [With ICC]
43	B	- [Without ICC] - [With ICC]
44	R	-
44	G	-
45	O	-
46	SHIELD	- [With ICC] - [Without ICC]
47	L	- [With ICC] - [Without ICC]
47	B	- [Without ICC] - [With ICC]
48	P	- [With ICC] - [Without ICC]
48	R	- [Without ICC] - [With ICC]
49	G	- [With ICC] - [Without ICC]
49	W	- [Without ICC] - [With ICC]
50	SHIELD	-
51	W	-
52	R	-
53	G	-
54	L	-
55	SB	-
60	GR	-
61	LG	-
62	SB	-
63	P	-
64	BR	-
65	Y	-
66	V	-
67	W	-
68	SHIELD	-
69	G	-
71	SB	-
72	V	-
73	LG	-
74	W	-
75	BR	-
76	V	-
77	LG	-
80	O	-
81	G	-
82	P	-
83	Y	-
84	R	-
85	SB	-
86	GR	-
87	L	-
91	V	-
92	W	-
93	R	-
94	LG	-
95	GR	-
96	W	-

97	G	-
98	O	-
99	L	-
100	Y	-

Connector No.	B211
Connector Name	WIRE TO WIRE
Connector Type	MM4FW-LC



Terminal No.	Color of Wire	Signal Name [Specification]
1	G	-
2	B	-

Connector No.	B431
Connector Name	WIRE TO WIRE
Connector Type	MM4MW-LC



Terminal No.	Color of Wire	Signal Name [Specification]
1	R	-
2	B	-

Connector No.	B434
Connector Name	POWER SEAT SWITCH
Connector Type	NS16FY-CS



Terminal No.	Color of Wire	Signal Name [Specification]
1	R	-
2	B	-
3	G/Y	-
4	P	-
5	W	-
6	V	-
7	L/Y	-
8	L/R	-
9	L/R	-
10	G/W	-

Connector No.	B452
Connector Name	DRIVER SEAT CONTROL UNIT
Connector Type	NS16FY-CS



Terminal No.	Color of Wire	Signal Name [Specification]
33	R	BAT (C/B)
35	W/R	SLIDING MOTOR (FORWARD)
36	G/Y	RECLINING MOTOR (FORWARD)
37	G/W	FRONT LIFTING MOTOR (DOWNWARD)
38	L/Y	FRONT LIFTING MOTOR (UPWARD)
39	R/B	REAR LIFTING MOTOR (DOWNWARD)
40	R/W	REAR LIFTING MOTOR (UPWARD)
42	W/B	BAT (FUSE)
44	P	SLIDING MOTOR (BACKWARD)
45	L/R	RECLINING MOTOR (BACKWARD)
46	L/R	FRONT LIFTING MOTOR (UPWARD)
48	B	GND (POWER)

A
B
C
D
E
F
G
H
I
J
K
L
M
N
O
P

PG

POWER SUPPLY ROUTING CIRCUIT

< DTC/CIRCUIT DIAGNOSIS >

[POWER SUPPLY & GROUND CIRCUIT]

BATTERY POWER SUPPLY FUSIBLE LINK No. L

Connector No.	B457
Connector Name	LUMBAR SUPPORT SWITCH
Connector Type	NS04FW-CS



Terminal No.	Color of Wire	Signal Name [Specification]
33	R	-
48	B	-
57	W	-
58	L	-

Connector No.	B460
Connector Name	WIRE TO WIRE
Connector Type	NS16MW-LG



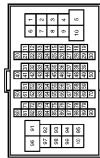
Terminal No.	Color of Wire	Signal Name [Specification]
1	L/W	-
3	R/Y	-
17	Y/R	-
19	V	-
21	L/Y	-
32	B/W	-
33	R	-
40	R/W	-
48	B	-

Connector No.	B467
Connector Name	SIDE SUPPORT UNIT
Connector Type	NS08FW-CS



Terminal No.	Color of Wire	Signal Name [Specification]
33	R	-
48	B	-
52	B	-
53	R	-
55	L	-

Connector No.	E105
Connector Name	WIRE TO WIRE
Connector Type	TH60FW-CS16-TM44



Terminal No.	Color of Wire	Signal Name [Specification]
1	G	-
2	O	-
3	SB	-
4	LG	-
5	Y	-
6	W	-
7	G	-
8	V	-
9	R	-
10	BR	-
11	B	-
12	G	-
13	R	-
14	W	-
15	SHIELD	-
16	SB	-

Terminal No.	Color of Wire	Signal Name [Specification]
17	L	-
18	P	-
19	G	-
20	W	- [With ICC]
21	Y	- [Without ICC]
22	BR	- [With ICC]
23	R	- [Without ICC]
24	L	- [With ICC]
25	P	- [Without ICC]
26	SHIELD	-
27	G	-
28	LG	-
29	O	-
30	O	-
31	BR	-
32	W	-
33	Y	-
34	O	-
35	SB	-
36	P	-
37	Y	-
38	GR	-
39	LG	-
40	V	-
41	Y	-
42	R	-
43	G	-
44	GR	-
45	W	-
46	W	-
47	L	-
48	P	-
49	SB	-
50	BR	-
51	B	-
52	Y	-
53	O	-
54	R	-
55	SB	-
56	P	-
59	P	-
60	SB	-
61	V	-
62	P	-
63	LG	-
64	L	-
65	O	-
66	L	-
69	L	-
70	SHIELD	-

Terminal No.	Color of Wire
71	G
72	G
73	R
74	BR
76	L
77	W
78	Y
80	SB
81	L
82	W
83	LG
84	GR
85	G
86	P
87	W
88	O
89	LG
90	BR
91	GR
92	BR
93	SB
94	W
95	Y
96	W
100	Y

POWER SUPPLY ROUTING CIRCUIT

< DTC/CIRCUIT DIAGNOSIS >

[POWER SUPPLY & GROUND CIRCUIT]

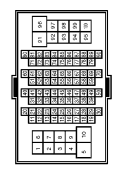
A
B
C
D
E
F
G
H
I
J
K
L
N
O
P

94	L	-
95	G	-
96	W	-
100	Y	-

Terminal No.	Color of Wire	Signal Name [Specification]	LINK No. L
35	L	-	-
36	P	-	-
37	G	-	-
38	R	-	-
39	G	-	-
41	L	-	-
42	W	-	-
43	R	-	-
44	LG	-	-
45	GR	-	-
46	W	-	-
47	L	-	-
48	P	-	-
49	O	-	-
50	LG	-	-
51	SB	-	-
52	Y	-	-
53	O	-	-
54	BR	-	-
55	SB	-	-
56	P	-	-
59	SB	-	-
60	SB	-	-
61	V	-	-
62	P	-	-
63	R	-	-
64	L	-	-
65	O	-	-
66	L	-	-
69	V	-	-
70	SHIELD	-	-
71	O	-	-
72	GR	-	-
73	W	-	-
74	SB	-	-
76	V	-	-
77	V	-	-
78	Y	-	-
80	O	-	-
81	L	-	-
82	W	-	-
83	Y	-	-
84	L	-	-
85	P	-	-
86	BR	-	-
87	P	-	-
88	V	-	-
89	G	-	-
90	P	-	-
91	R	-	-
92	R	-	-
93	GR	-	-

BATTERY POWER SUPPLY FUSIBLE LINK No. L

Connector No. M6
 Wire TO WIRE
 Connector Name TH8DMW-CST16-TM4
 Connector Type



Terminal No.	Color of Wire	Signal Name [Specification]
1	G	-
2	O	-
3	SB	-
4	LG	-
5	GR	-
6	W	-
7	G	-
8	W	-
9	P	-
10	BR	-
11	B	-
12	G	-
13	R	-
14	W	-
15	SHIELD	-
16	BR	-
17	L	-
18	P	-
19	G	-
20	W	- [With ICC] - [Without ICC]
21	BR	- [With ICC] - [Without ICC]
22	R	- [With ICC] - [Without ICC]
23	G	- [With ICC] - [Without ICC]
24	P	- [With ICC] - [Without ICC]
25	Y	- [With ICC] - [Without ICC]
26	SHIELD	-
28	GR	-
29	V	-
30	O	-
31	BR	-
32	W	-
33	Y	-
34	L	-

JCMWA5035GB




POWER SUPPLY ROUTING CIRCUIT

< DTC/CIRCUIT DIAGNOSIS >

[POWER SUPPLY & GROUND CIRCUIT]

BATTERY POWER SUPPLY FUSIBLE LINK No. L

Connector No.	M7
Connector Name	WIRE TO WIRE
Connector Type	TH80MW-CS16-TM4




Terminal No.	Color of Wire	Signal Name [Specification]
1	G	
2	B	
3	W	
5	G	
6	P	
7	V	
8	O	
9	W	
10	W	
11	O	
12	B	
13	G	
14	R	
15	W	
16	SHIELD	
17	L	
18	P	
19	G	
20	R	
21	LG	
23	V	
24	P	
25	BR	
26	GR	
27	O	
28	W	
29	SHIELD	
38	B	
39	B	
40	LG	
41	G	
42	Y	
43	SB	
44	W	
45	B	
50	B	
51	V	
52	LG	

LINK No. L

53	SHIELD	-
54	BR	-
55	Y	-
56	SHIELD	-
57	P	-
58	L	-
59	SHIELD	-
60	L	-
61	BR	-
62	R	-
63	Y	-
64	L	-
65	W	-
66	V	-
67	LG	-
68	Y	-
69	G	-
70	V	-
71	W	-
72	B	-
73	W	-
74	LG	-
75	P	-
76	LG	-
77	SB	-
78	GR	-
79	R	-
80	L	-
81	P	-
82	L	-
83	P	-
84	SB	-
85	W	-
86	Y	-
87	B	-
88	G	-
89	O	-
90	W	-
91	R	-
92	O	-
93	BR	-
94	V	-
95	Y	-
96	O	-
97	W	-
98	R	-
99	G	-
99	O	-

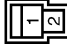
- [With VK engine]
- [With VG engine]

Connector No.	M82
Connector Name	AUTOMATIC DRIVE POSITIONER CONTROL UNIT
Connector Type	MS16FW-CS



Terminal No.	Color of Wire	Signal Name [Specification]
33	W	POWER SUPPLY (SENSOR)
34	R	BAT (FUSE)
35	L	TILT MOTOR (UPWARD)
36	GR	TELESCOPIC MOTOR (FORWARD)
39	W	BAT (C/E)
40	B	GND (SIGNAL)
41	Y	GND (SENSOR)
42	O	TILT MOTOR (DOWNWARD)
44	G	TELESCOPIC MOTOR (BACKWARD)
48	B	GND (POWER)

Connector No.	M82
Connector Name	CIRCUIT BREAKER
Connector Type	MS2FW-P-LC



Terminal No.	Color of Wire	Signal Name [Specification]
1	W	
2	W	

JCMWA5036GB

POWER SUPPLY ROUTING CIRCUIT

< DTC/CIRCUIT DIAGNOSIS >

[POWER SUPPLY & GROUND CIRCUIT]

BATTERY POWER SUPPLY FUSIBLE		LINK No. L	
Connector No.	M117	42	W
Connector Name	WIRE TO WIRE	43	P
Connector Type	TH8DMW-CS16-TM44	44	R
		45	L
		46	O
		47	SHIELD
		48	L
		49	G
		50	SHIELD
		51	O
		52	GR
		53	G
		54	L
		55	P
		60	LG
		61	R
		62	SB
		63	V
		64	Y
		65	BR
		66	O
		67	W
		68	SHIELD
		69	G
		71	SB
		72	V
		73	V
		74	LG
		75	R
		75	BR
		76	V
		77	LG
		80	R
		81	L
		82	Y
		83	O
		84	W
		85	SB
		86	B
		87	P
		91	L
		92	L
		93	G
		94	W
		94	O

Terminal No.	Color of Wire	Signal Name [Specification]
1	GR	-
2	BR	-
3	V	-
4	SB	-
6	Y	-
7	B	-
8	W	-
10	W	-
11	BR	-
12	GR	-
13	SHIELD	-
14	SHIELD	-
15	P	-
16	SHIELD	-
17	Y	-
18	Y	-
19	LG	-
20	SB	-
21	LG	-
22	B	- [With entertainment system] - [Without entertainment system]
22	GR	- [With entertainment system] - [Without entertainment system]
23	W	- [With entertainment system] - [Without entertainment system]
23	V	- [With entertainment system] - [Without entertainment system]
24	R	- [With entertainment system] - [Without entertainment system]
24	W	- [With entertainment system] - [Without entertainment system]
25	SHIELD	- [With entertainment system] - [Without entertainment system]
25	R	- [With entertainment system] - [Without entertainment system]
26	SB	-
27	V	-
28	SHIELD	-
29	O	-
30	P	-
31	W	-
32	W	-
33	SB	-
33	Y	-
40	Y	-
41	SB	- [With ICC] - [Without ICC]
41	Y	-

Terminal No.	Color of Wire	Signal Name [Specification]
1	W	BAT (F/L)
2	Y	POWER WINDOW POWER SUPPLY (BAT)
3	O	POWER WINDOW POWER SUPPLY (RAP)

95	V	-
96	G	-
97	G	-
98	L	-
99	LG	-
100	Y	-

Connector No.	MT18
Connector Name	BCM (BODY CONTROL MODULE)
Connector Type	M03FB-LC



Terminal No.	Color of Wire	Signal Name [Specification]
1	W	BAT (F/L)
2	Y	POWER WINDOW POWER SUPPLY (BAT)
3	O	POWER WINDOW POWER SUPPLY (RAP)

JCMWA5037GB

A
B
C
D
E
F
G
H
I
J
K
L
PG
N
O
P

POWER SUPPLY ROUTING CIRCUIT

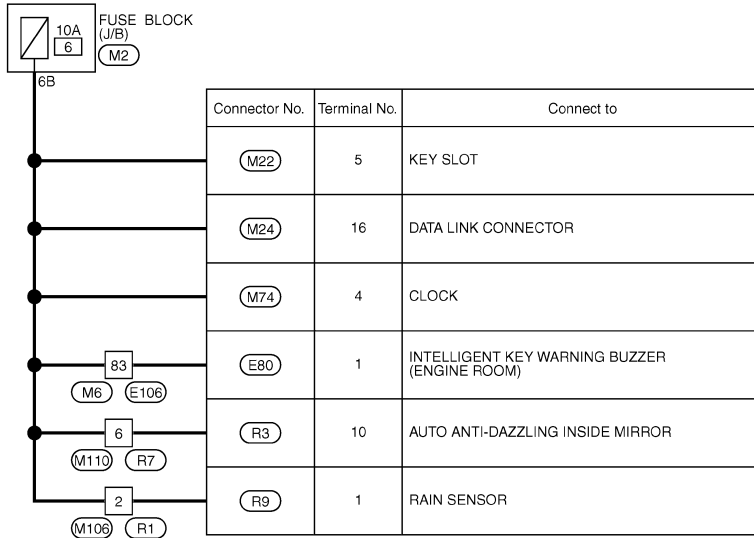
< DTC/CIRCUIT DIAGNOSIS >

[POWER SUPPLY & GROUND CIRCUIT]

Wiring Diagram - BATTERY POWER SUPPLY FUSE No. 6 -

INFOID:000000005550371

BATTERY POWER SUPPLY FUSE No. 6



2009/07/29

JCMWA5038GB

POWER SUPPLY ROUTING CIRCUIT

< DTC/CIRCUIT DIAGNOSIS >

[POWER SUPPLY & GROUND CIRCUIT]

BATTERY POWER SUPPLY FUSE No. 6

Connector No.	E80
Connector Name	INTELLIGENT KEY / WARNING BUZZER (ENGINE ROOM)
Connector Type	RK03FBR



Terminal No.	Color of Wire	Signal Name [Specification]
1	LG	+BAT (VOL. SMALL)
3	GR	BUZZER SIGNAL

Connector No.	E105
Connector Name	WIRE TO WIRE
Connector Type	TH00FW-CS16-TM4



Terminal No.	Color of Wire	Signal Name [Specification]
1	G	-
2	O	-
3	SB	-
4	LG	-
5	Y	-
6	W	-
7	G	-
8	V	-
9	R	-
10	BR	-
11	B	-
12	G	-
13	R	-
14	W	-
15	SHIELD	-
16	SB	-
17	L	-
18	P	-
19	G	-
20	W	- [With ICC]

76	L	-
77	W	-
78	Y	-
80	SB	-
81	L	-
82	W	-
83	LG	-
84	GR	-
85	G	-
86	P	-
87	W	-
88	O	-
89	LG	-
90	BR	-
91	GR	-
92	BR	-
93	SB	-
94	W	-
95	Y	-
96	W	-
100	Y	-

Connector No.	M2
Connector Name	FUSE BLOCK (J/B)
Connector Type	NS10FW-CS



Terminal No.	Color of Wire	Signal Name [Specification]
1B	LG	-
3B	P	-
4B	G	-
5B	O	-
6B	Y	-
7B	L	-
8B	R	-
9B	BR	-

JCMWA5039GB

A
B
C
D
E
F
G
H
I
J
K
L
N
O
P

PG

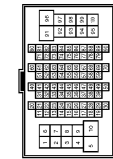
POWER SUPPLY ROUTING CIRCUIT

[POWER SUPPLY & GROUND CIRCUIT]

< DTC/CIRCUIT DIAGNOSIS >

BATTERY POWER SUPPLY FUSE No. 6

Connector No.	M16
Connector Name	WIRE TO WIRE
Connector Type	TH80MW-CS16-TM4

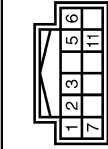


Terminal No.	Color of Wire	Signal Name [Specification]
1	G	-
2	O	-
3	SB	-
4	LG	-
5	GR	-
6	W	-
7	G	-
8	W	-
9	P	-
10	BR	-
11	B	-
12	G	-
13	R	-
14	W	-
15	SHIELD	-
16	BR	-
17	L	-
18	P	-
19	G	-
20	W	- [With ICC]
21	GR	- [Without ICC]
22	BR	- [With ICC]
23	R	- [Without ICC]
24	L	- [With ICC]
25	G	- [Without ICC]
26	P	- [With ICC]
27	Y	- [Without ICC]
28	SHIELD	-
29	GR	-
30	V	-
31	O	-
32	BR	-
33	W	-
34	L	-

35	L	-
36	P	-
37	G	-
38	R	-
39	G	-
41	U	-
42	W	-
43	R	-
44	LG	-
45	GR	-
46	W	-
47	L	-
48	P	-
49	O	-
50	LG	-
51	SB	-
52	Y	-
53	O	-
54	BR	-
55	SB	-
56	P	-
59	SB	-
60	SB	-
61	V	-
62	P	-
63	R	-
64	L	-
65	O	-
66	L	-
68	V	-
70	SHIELD	-
71	O	-
72	GR	-
73	W	-
74	SB	-
76	V	-
77	V	-
78	Y	-
80	O	-
81	L	-
82	W	-
83	Y	-
84	L	-
85	P	-
86	BR	-
87	P	-
88	V	-
89	G	-
90	P	-
91	R	-
92	R	-
93	GR	-

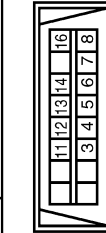
94	L	-
95	G	-
96	W	-
100	Y	-

Connector No.	M22
Connector Name	KEY SLOT
Connector Type	TH12FW-NH



Terminal No.	Color of Wire	Signal Name [Specification]
1	R	BAT
2	GR	CLOCK
3	W	DATA
5	Y	ILL BAT
6	LG	ILL
7	B	GND
11	BR	KEY SWITCH SIGNAL

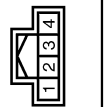
Connector No.	M24
Connector Name	DATA LINK CONNECTOR
Connector Type	BD16FW



Terminal No.	Color of Wire	Signal Name [Specification]
3	LG	-
4	B	-
5	B	-
6	L	-
7	GR	-
8	G	-
11	SB	-
12	P	-
13	L	-

14	P	-
16	O	-

Connector No.	M74
Connector Name	CLOCK
Connector Type	TH80FW-NH



Terminal No.	Color of Wire	Signal Name [Specification]
1	B	ILLUMINATION (-)
2	R	ILLUMINATION (+)
3	B	GROUND
4	Y	BATTERY POWER SUPPLY

POWER SUPPLY ROUTING CIRCUIT

< DTC/CIRCUIT DIAGNOSIS >

[POWER SUPPLY & GROUND CIRCUIT]

BATTERY POWER SUPPLY FUSE No. 6

Connector No.	MI05
Connector Name	WIRE TO WIRE
Connector Type	TH10MW-CS10

1	2	3	4	5	6
7	8	9	10	11	12
13	14	15	16	17	18
19	20				



Connector No.	RI
Connector Name	WIRE TO WIRE
Connector Type	TH10FW-CS10

Terminal No.	Color of Wire	Signal Name [Specification]
1	V	-
2	BR	-
3	GR	-
4	SHIELD	-
5	G	-
6	BR	-
9	P	-
10	G	-
11	Y	-
12	BR	-
13	L	-
14	L	-
15	R	-
16	R	-
17	B	-
20	O	-

Connector No.	MI10
Connector Name	WIRE TO WIRE
Connector Type	TH16MW-NH

1	2	3	4	5	6	7	8
9	10	11	12	13	14	15	16



Terminal No.	Color of Wire	Signal Name [Specification]
1	L	-
2	P	-
4	B	-
5	BR	-
6	GR	-
7	SB	-

8	LG	-
9	SHIELD	-
10	P	-
11	G	-
15	R	-
16	V	-

Connector No.	RI
Connector Name	WIRE TO WIRE
Connector Type	TH10FW-CS10

6	5	4	3	2	1
20	19	18	17	16	15
14	13	12	11	10	9
8	7				



Terminal No.	Color of Wire	Signal Name [Specification]
1	V	-
2	BR	-
3	GR	-
4	SHIELD	-
5	G	-
6	BR	-
9	P	-
10	G	-
11	Y	-
12	BR	-
13	L	-
14	L	-
15	R	-
16	R	-
17	B	-
20	Y	-

Connector No.	R3
Connector Name	AUTO ANTI-DAZZLING INSIDE MIRROR
Connector Type	TH10FB-NH

10	8	6
----	---	---



Terminal No.	Color of Wire	Signal Name [Specification]
6	BR	IGN
8	B	GND
10	GR	BAT

Connector No.	R7
Connector Name	WIRE TO WIRE
Connector Type	TH16FW-NH

8	7	6	5	4	3	2	1
16	15	14	13	12	11	10	9



Terminal No.	Color of Wire	Signal Name [Specification]
1	L	-
2	P	-
4	B	-
5	BR	-
6	GR	-
7	SB	-
8	SHIELD	-
9	R	-
10	R	-
11	G	-
15	R	-
16	V	-

Connector No.	R9
Connector Name	RAIN SENSOR
Connector Type	AAB03FB

1	2	3
---	---	---



Terminal No.	Color of Wire	Signal Name [Specification]
1	BR	+B
2	GR	SG
3	B	GND

JCMWA5041GB

A
B
C
D
E
F
G
H
I
J
K
L
PG
N
O
P

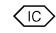
POWER SUPPLY ROUTING CIRCUIT

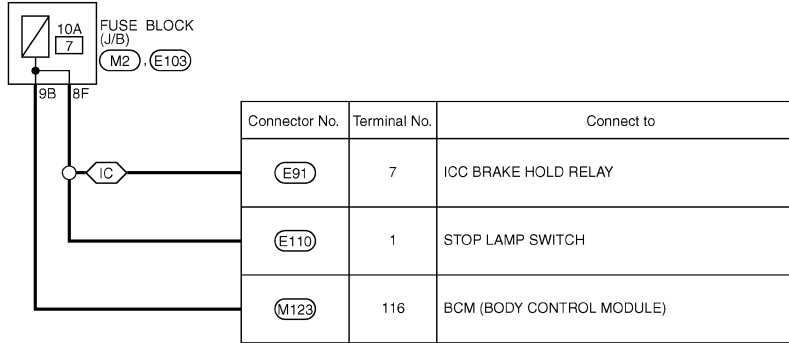
< DTC/CIRCUIT DIAGNOSIS >

[POWER SUPPLY & GROUND CIRCUIT]

Wiring Diagram - BATTERY POWER SUPPLY FUSE No. 7 - BATTERY POWER SUPPLY FUSE No. 7

INFOID:000000005550372

 : With ICC



2009/07/29

JCMWA5042GB

POWER SUPPLY ROUTING CIRCUIT

< DTC/CIRCUIT DIAGNOSIS >

[POWER SUPPLY & GROUND CIRCUIT]

BATTERY POWER SUPPLY FUSE No. 7

Connector No.	E01
Connector Name	ICC BRAKE HOLD RELAY
Connector Type	MM8FGY-R-US



Terminal No.	Color of Wire	Signal Name [Specification]
1	L	-
2	B	-
3	G	-
4	G	-
6	W	-
7	L	-

Connector No.	E103
Connector Name	FUSE BLOCK (J/B)
Connector Type	NS16FW-CS



Terminal No.	Color of Wire	Signal Name [Specification]
1F	SB	-
2F	W	-
3F	Y	-
4F	G	-
6F	O	-
8F	L	-
9F	R	-
10F	L	-

Connector No.	E110
Connector Name	STOP LAMP SWITCH
Connector Type	MM4FW-LC



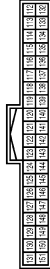
Terminal No.	Color of Wire	Signal Name [Specification]
1	L	-
2	W	-
3	G	-
4	BR	-

Connector No.	M2
Connector Name	FUSE BLOCK (J/B)
Connector Type	NS10FW-CS



Terminal No.	Color of Wire	Signal Name [Specification]
1B	LG	-
3B	P	-
4B	G	-
5B	O	-
6B	Y	-
7B	L	-
8B	R	-
9B	BR	-

Connector No.	M123
Connector Name	BCM (BODY CONTROL MODULE)
Connector Type	TH40FG-NH



Terminal No.	Color of Wire	Signal Name [Specification]
112	GR	RAIN SENSOR SERIAL LINK
113	P	OPTICAL SENSOR
116	BR	STOP LAMP SW 1
118	P	STOP LAMP SW 2
119	SB	DR DOOR UNLOCK SENSOR
121	BR	KEY SLOT SW
123	W	IGN F/B
124	LG	PASSENGER DOOR SW
132	O	POWER WINDOW SW COMM
134	GR	LOCK IND
137	B	RECEIVER/SENSOR GND
138	Y	SENSOR POWER SUPPLY
140	R	SHIFT UP
141	G	SECURITY INDICATOR OUTPUT
142	O	COMBI SW OUTPUT 3
143	P	COMBI SW OUTPUT 1
144	G	COMBI SW OUTPUT 2
145	L	COMBI SW OUTPUT 3
146	SB	COMBI SW OUTPUT 4
150	GR	DRIVER DOOR SW
151	G	REAR WINDOW DEFOGGER RELAY CONT

JCMWA5043GB

A
B
C
D
E
F
G
H
I
J
K
L
N
O
P

PG

POWER SUPPLY ROUTING CIRCUIT


< DTC/CIRCUIT DIAGNOSIS >

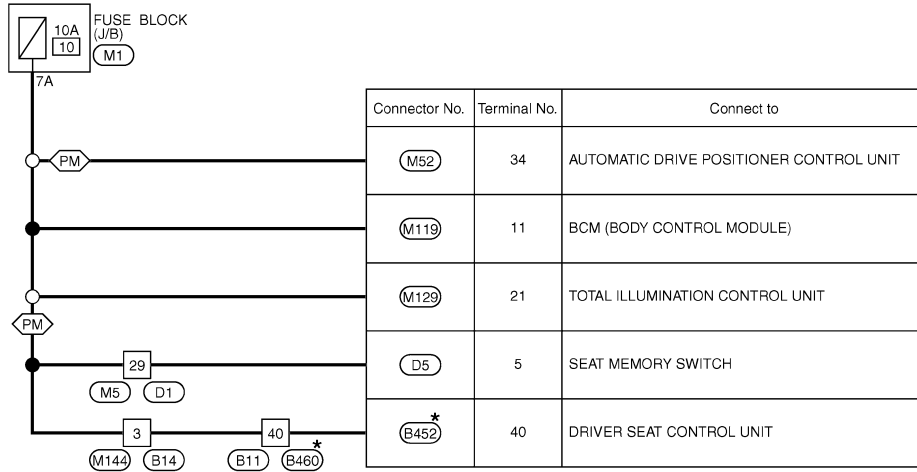
[POWER SUPPLY & GROUND CIRCUIT]

Wiring Diagram - BATTERY POWER SUPPLY FUSE No. 10 -

INFOID:000000005550373

BATTERY POWER SUPPLY FUSE No. 10

 : With automatic drive positioner



*: This connector is not shown in "Harness Layout".

2008/03/04

JCMWM2051GB

POWER SUPPLY ROUTING CIRCUIT

[POWER SUPPLY & GROUND CIRCUIT]

< DTC/CIRCUIT DIAGNOSIS >

BATTERY POWER SUPPLY FUSE No. 10

Connector No.	B11
Connector Name	WIRE TO WIRE
Connector Type	NS18FW-CS



19	40	17	11	3	19
60	33	21	48	32	20

Terminal No.	Color of Wire	Signal Name [Specification]
1	G	-
3	L	-
17	LG	-
19	P	-
21	Y	-
32	B	-
33	SB	-
40	R	-
48	B	-

Connector No.	B14
Connector Name	WIRE TO WIRE
Connector Type	TH12FW-INH



6	5	4	3	2	1
12	11	10	9	8	7

Terminal No.	Color of Wire	Signal Name [Specification]
1	G	-
2	LG	-
3	R	-
5	W	-
6	R	-
7	Y	-
11	SHIELD	-
12	W	- [With around view monitor]
12	B	- [Without around view monitor]

Connector No.	B42
Connector Name	DRIVER SEAT CONTROL UNIT
Connector Type	NS18FW-CS



33	34	35	36	37	38	39
40	41	42	43	44	45	46
47	48					

Terminal No.	Color of Wire	Signal Name [Specification]
33	R	BAT. (C/B)
35	W/R	SLIDING MOTOR (FORWARD)
36	G/Y	RECLINING MOTOR (FORWARD)
37	G/W	FRONT LIFTING MOTOR (DOWNWARD)
38	L/Y	REAR LIFTING MOTOR (UPWARD)
39	R/B	REAR LIFTING MOTOR (DOWNWARD)
40	R/W	BAT. (FUSE)
42	W/B	SLIDING MOTOR (BACKWARD)
44	P	RECLINING MOTOR (BACKWARD)
45	L/R	FRONT LIFTING MOTOR (UPWARD)
48	B	GND. (POWER)

Connector No.	B40
Connector Name	WIRE TO WIRE
Connector Type	NS18MW-LC



19	3	1	17	40	69
20	32	48	21	33	60

Terminal No.	Color of Wire	Signal Name [Specification]
1	L/W	-
3	R/Y	-
17	Y/R	-
19	V	-
21	L/Y	-
32	B/W	-
33	R	-
40	R/W	-
48	B	-

Connector No.	D1
Connector Name	WIRE TO WIRE
Connector Type	TH40FW-CS15



19	14	13	12	11	10	9	8	7	6	5	4	3	2	1
32	31	30	29	28	27	26	25	24	23	22	21	20	19	18

Terminal No.	Color of Wire	Signal Name [Specification]
1	B	-
3	G	-
6	GR	-
7	W	-
8	SB	-
9	BR	-
10	O	-
11	R	-
12	LG	-
13	Y	-
14	P	-
15	L	-
20	V	-
21	Y	-
22	GR	-
23	SB	-
24	LG	-
26	G	-
27	V	-
28	P	-
29	Y	-
30	LG	-
31	O	-
32	BR	-
33	L	-
34	GR	-
35	B	-
38	SHIELD	-
39	W	-
40	BR	-
41	L	-
42	Y	-
43	R	-
44	BR	-
45	V	-
46	P	-
47	W	-
48	GR	-

49	R	-
50	B	-
51	SB	-
52	L	-
53	G	-
54	O	-
55	GR	-

Connector No.	D5
Connector Name	SEAT MEMORY SWITCH
Connector Type	A08FW



3	5	6	7	2	1	4
---	---	---	---	---	---	---

Terminal No.	Color of Wire	Signal Name [Specification]
1	L	-
2	BR	-
3	GR	-
4	B	-
5	V	-
6	O	-
7	LG	-

A
B
C
D
E
F
G
H
I
J
K
L
N
O
P

PG

POWER SUPPLY ROUTING CIRCUIT

< DTC/CIRCUIT DIAGNOSIS >

[POWER SUPPLY & GROUND CIRCUIT]

BATTERY POWER SUPPLY FUSE No. 10

Connector No.	M1
Connector Name	FUSE BLOCK (L/E)
Connector Type	NS16FW-M2



3A	2A	1A
8A	7A	6A
4A	5A	3A

Terminal No.	Color of Wire	Signal Name [Specification]
1A	O	-
2A	G	-
3A	L	-
4A	P	-
5A	V	-
6A	Y	-
7A	R	-
8A	L	-

Connector No.	M5
Connector Name	WIRE TO WIRE
Connector Type	TH40MW-CS15



1	2	3	4	5	6	7	8	9	10	11	12	13	14	15
16	17	18	19	20	21	22	23	24	25	26	27	28	29	30

Terminal No.	Color of Wire	Signal Name [Specification]
1	B	-
3	SB	-
6	R	-
7	W	-
8	G	-
9	L	-
10	O	-
11	G	-
12	V	-
13	Y	-
14	P	-
15	L	-
20	O	-
21	LG	-

23	Y	-
24	P	-
26	SB	-
27	V	-
28	LG	-
29	R	-
30	P	-
31	O	-
32	SB	-
33	L	-
34	R	-
35	B	-
38	SHIELD	-
39	W	-
40	B	-
41	G	-
42	Y	-
43	R	-
44	G	-
45	Y	-
46	GR	-
47	W	-
48	L	-
49	R	-
50	O	-
51	SB	-
52	Y	-
53	V	-
54	LG	-
55	L	-

Connector No.	M2
Connector Name	AUTOMATIC DRIVE POSITIONER CONTROL UNIT
Connector Type	NS16FW-CS



33	34	35	36
40	41	42	44
39	43	45	48

Terminal No.	Color of Wire	Signal Name [Specification]
33	W	POWER SUPPLY (SENSOR)
34	R	BAT (USE)
35	L	TILT MOTOR (UPWARD)
36	GR	TELESCOPIC MOTOR (FORWARD)
39	W	BAT (C/B)

40	B	GND (SIGNAL)
41	Y	GND (SENSOR)
42	O	TILT MOTOR (DOWNWARD)
44	G	TELESCOPIC MOTOR (BACKWARD)
48	B	GND (POWER)

Connector No.	M119
Connector Name	BCM (BODY CONTROL MODULE)
Connector Type	NS16FW-CS



4	5	6	7	8	9	10
11	12	13	14	15	16	17
18	19	20	21	22	23	24

Terminal No.	Color of Wire	Signal Name [Specification]
4	P	INT ROOM LAMP PWR SUPPLY (BAT SAVE)
5	V	PASSENGER DOOR UNLOCK OUTPUT
7	Y	STEP LAMP OUTPUT
8	V	ALL DOOR FUEL LID LOCK OUTPUT
9	G	DRIVER DOOR FUEL LID UNLOCK OUTPUT
10	BR	REAR DOOR UNLOCK OUTPUT
11	BR	BAT (USE)
13	B	GND
15	Y	ACC IND
17	W	TURM SIGNAL RR (FRONT)
18	O	TURM SIGNAL LH (FRONT)
19	SB	ROOM LAMP TIMER

Connector No.	M129
Connector Name	TOTAL ILLUMINATION CONTROL UNIT
Connector Type	TH40FW-NH



1	2	3	4	5	6	7	8	9	10	11	12	13	14	15	16	17	18	19	20
21	22	23	24	25	26	27	28	29	30	31	32	33	34	35	36	37	38	39	40

Terminal No.	Color of Wire	Signal Name [Specification]
3	V	DDI2
4	L	TAIL LAMP SIGNAL
5	V	ACC SIGNAL

6	P	BAT SAVER SIGNAL
7	W	IGN SIGNAL
8	G	DOOR SW (AS)
9	O	DOOR SW (RL)
10	SE	MOOD LAMP (FR ARMREST RH)
11	Y	MOOD LAMP (RR ARMREST RH)
12	P	MAP LAMP (AS)
13	G	PERSONAL LAMP (LH)
14	R	PERSONAL LAMP (RH)
16	GR	FOOT LAMP (RH)
17	LG	HSPL ILLUMINATIONS
18	L	MAP LAMP (OR)
19	R	PUSH ENG START SW LED
20	Y	AMBIENCE LAMP
21	R	BAT POWER SUPPLY
23	B	GND
24	O	ILL CONT INPUT
25	BR	DOOR SW (RR)
26	BR	MAP LAMP SW (DOOR)
27	R	MAP LAMP SW (ALL ON)
28	SB	ROOM LAMP TIMER
29	GR	DOOR SW (DR)
30	LG	MOOD LAMP (FR ARMREST LH)
31	O	MOOD LAMP (RR ARMREST LH)
33	W	HSPL POWER SUPPLY 3
34	R	HSPL POWER SUPPLY 2
35	Y	HSPL POWER SUPPLY 1
36	L	FOOT LAMP (LH)
39	B	PUDDLE LAMP (RH)
40	O	PUDDLE LAMP (LH)

POWER SUPPLY ROUTING CIRCUIT

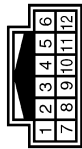
< DTC/CIRCUIT DIAGNOSIS >

[POWER SUPPLY & GROUND CIRCUIT]

A
B
C
D
E
F
G
H
I
J
K
L
N
O
P

BATTERY POWER SUPPLY FUSE No. 10

Connector No.	M144
Connector Name	WIRE TO WIRE
Connector Type	TH2MW-NH



Terminal No.	Color of Wire	Signal Name [Specification]
1	V	-
2	Y	-
3	R	-
5	W	-
6	R	-
7	Y	-
11	SHIELD	-
12	W	- [With around view monitor]
12	B	- [Without around view monitor]

JCMWA5046GB

PG

POWER SUPPLY ROUTING CIRCUIT

< DTC/CIRCUIT DIAGNOSIS >

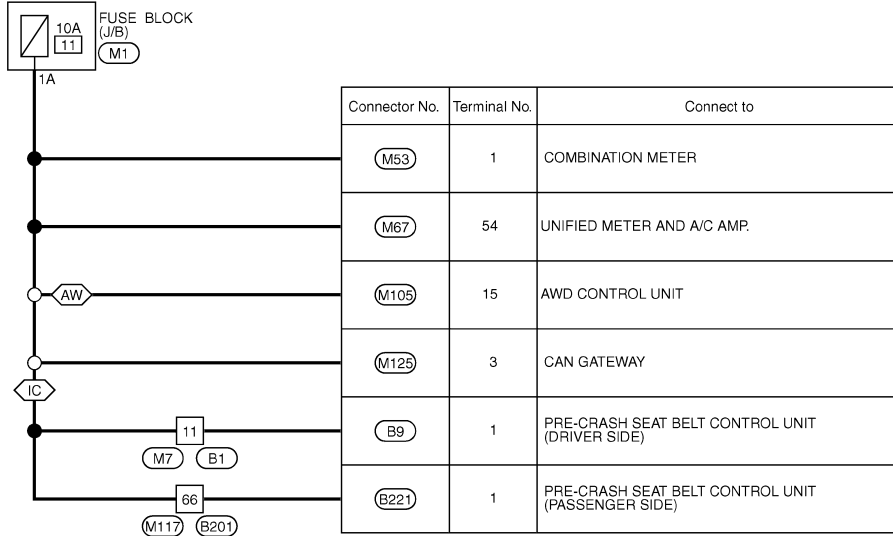
[POWER SUPPLY & GROUND CIRCUIT]

Wiring Diagram - BATTERY POWER SUPPLY FUSE No. 11 -

INFOID:000000005550374

BATTERY POWER SUPPLY FUSE No. 11

AW : AWD models
 IC : With ICC



2009/07/29

JCMWA5047GB

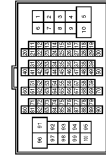
POWER SUPPLY ROUTING CIRCUIT

< DTC/CIRCUIT DIAGNOSIS >

[POWER SUPPLY & GROUND CIRCUIT]

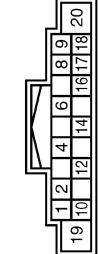
BATTERY POWER SUPPLY FUSE No. 11

Connector No.	B1
Connector Name	WIRE TO WIRE
Connector Type	TH00FW-CS16-TM4



Terminal No.	Color of Wire	Signal Name [Specification]
1	G	-
2	L	-
3	W	-
5	G	-
6	G	-
7	P	-
8	O	-
9	W	-
10	SB	-
11	SB	-
12	B	-
13	G	-
14	R	-
15	W	-
16	SHIELD	-
17	L	-
18	P	-
19	G	-
20	Y	-
21	W	-
23	V	-
24	P	-
25	BR	-
26	GR	-
27	O	-
28	W	-
29	SHIELD	-
38	B	-
39	B	-
40	LG	-
41	G	-
42	GR	-
43	SB	-
44	V	-
45	GR	-
50	B	-
51	V	-
52	SB	-

Connector No.	B9
Connector Name	PRE-CRASH SEAT BELT CONTROL UNIT (DRIVER SIDE)
Connector Type	TH18FW-CS2



Terminal No.	Color of Wire	Signal Name [Specification]
1	SB	SIG BAT
2	G	OUT 1
4	P	CAN LO
6	LG	BUCKLE SW LH NO
8	G	LOCAL COMM 2
9	BR	SHIELD GND
10	B	SENS POWER 1
12	R	OUT 2
14	L	CAN HI
16	W	LOCAL COMM 1
17	W	SENS GND 1
18	B	SIG GND
19	W	MOTOR BATT
20	B	MOTOR GND

53	SHIELD	-
54	BR	-
55	Y	-
56	SHIELD	-
57	P	-
58	L	-
59	SHIELD	-
60	L	-
61	P	-
62	GR	-
63	G	-
64	O	-
65	W	-
66	V	-
67	LG	-
68	Y	-
69	G	-
70	GR	-
71	G	-
72	B	-
73	W	-
74	V	-
75	O	-
76	LG	-
77	L	-
78	GR	-
79	W	-
80	L	-
81	P	-
82	L	-
83	P	-
84	SB	-
85	R	-
86	Y	-
87	B	-
88	G	-
89	BR	-
90	W	-
91	R	-
92	O	-
93	BR	-
94	V	-
95	Y	-
96	O	-
97	W	-
98	GR	-
99	W	-

A
B
C
D
E
F
G
H
I
J
K
L
N
O
P

PG

POWER SUPPLY ROUTING CIRCUIT

< DTC/CIRCUIT DIAGNOSIS >

[POWER SUPPLY & GROUND CIRCUIT]

BATTERY POWER SUPPLY FUSE No. 11

Connector No.	B201
Connector Name	WIRE TO WIRE
Connector Type	TH80PW-CS16-TM4

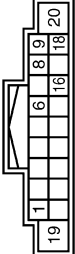


Terminal No.	Color of Wire	Signal Name [Specification]
1	G	-
2	R	-
3	BR	-
4	SB	-
6	O	-
7	GR	-
8	W	-
10	G	-
11	BR	-
12	Y	-
13	SHIELD	-
14	G	-
15	R	-
16	SHIELD	-
17	LG	-
18	GR	-
19	V	-
20	SB	-
21	LG	-
22	B	- [With entertainment system]
23	GR	- [Without entertainment system]
24	W	- [With entertainment system]
25	SHIELD	- [Without entertainment system]
26	V	- [With entertainment system]
27	V	-
28	SHIELD	-
29	O	-
30	P	-
31	W	-
32	GR	-
33	SB	-
40	LG	- [With ICC]
40	V	- [Without ICC]
41	SB	- [With ICC]

41	Y	- [Without ICC]
42	V	- [With ICC]
43	W	- [Without ICC]
43	BR	- [With ICC]
44	R	- [Without ICC]
45	G	-
46	O	- [With ICC]
46	SHIELD	- [Without ICC]
47	L	- [With ICC]
47	B	- [Without ICC]
48	P	- [With ICC]
48	R	- [Without ICC]
49	G	- [With ICC]
49	W	- [Without ICC]
50	SHIELD	-
51	W	-
52	R	-
53	G	-
54	L	-
55	SB	-
60	GR	-
61	LG	-
62	SB	-
63	P	-
64	BR	-
65	O	-
66	Y	-
67	W	-
68	SHIELD	-
69	G	-
71	SB	-
72	V	-
73	LG	-
74	W	-
75	BR	-
76	V	-
77	LG	-
80	O	-
81	G	-
82	P	-
83	Y	-
84	R	-
85	SB	-
86	GR	-
87	L	-
91	W	-
92	V	-
93	R	-
94	LG	-
95	GR	-
96	W	-

97	G	-
98	O	-
99	L	-
100	Y	-

Connector No.	B221
Connector Name	PRE-CRASH SEAT BELT CONTROL UNIT (PASSENGER SIDE)
Connector Type	TH18FW-CS2



Terminal No.	Color of Wire	Signal Name [Specification]
1	Y	SIG BAT
6	V	BUCKLE SW RH NO
8	G	LOCAL COMM 2
9	SHIELD	SHIELD GND
16	W	LOCAL COMM 1
18	B	SIG GND
19	W	MOTOR BAT
20	B	MOTOR GND

Connector No.	M1
Connector Name	FUSE BLOCK (J/B)
Connector Type	NS80FW-M2



Terminal No.	Color of Wire	Signal Name [Specification]
1A	O	-
2A	G	-
3A	L	-
4A	P	-
5A	V	-
6A	Y	-
7A	R	-
8A	L	-

POWER SUPPLY ROUTING CIRCUIT

< DTC/CIRCUIT DIAGNOSIS >

[POWER SUPPLY & GROUND CIRCUIT]

BATTERY POWER SUPPLY FUSE No. 11

Connector No.	M7
Connector Name	WIRE TO WIRE
Connector Type	TH80MW-CS16-TM4

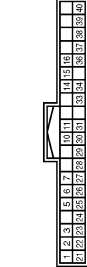


Terminal No.	Color of Wire	Signal Name [Specification]
1	G	-
2	B	-
3	W	-
5	G	-
6	P	-
7	V	-
8	O	-
9	W	-
10	W	-
11	O	-
12	B	-
13	G	-
14	R	-
15	W	-
16	SHIELD	-
17	L	-
18	P	-
19	G	-
20	R	-
21	LG	-
23	V	-
24	P	-
25	BR	-
26	GR	-
27	O	-
28	W	-
29	SHIELD	-
38	B	-
39	B	-
40	LG	-
41	G	-
42	Y	-
43	SB	-
44	W	-
45	B	-
50	B	-
51	V	-
52	LG	-

53	SHIELD	-
54	BR	-
55	Y	-
56	SHIELD	-
57	P	-
58	L	-
59	SHIELD	-
60	L	-
61	BR	-
62	R	-
63	Y	-
64	L	-
65	W	-
66	V	-
67	LG	-
68	Y	-
69	G	-
70	V	-
71	W	-
72	B	-
73	W	-
74	LG	-
75	P	-
76	LG	-
77	SB	-
78	GR	-
79	R	-
80	L	-
81	P	-
82	L	-
83	P	-
84	SB	-
85	W	-
86	Y	-
87	B	-
88	G	-
89	O	-
90	W	-
91	R	-
92	O	-
93	BR	-
94	V	-
95	Y	-
96	O	-
97	W	-
98	R	-
99	G	-
99	O	-

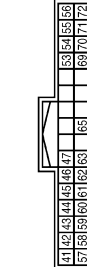
- [With VK engine]
- [With VG engine]

Connector No.	IM33
Connector Name	COMBINATION METER
Connector Type	TH40FW-NH



Terminal No.	Color of Wire	Signal Name [Specification]
1	O	BATTERY POWER SUPPLY
2	LG	COMMUNICATION SIGNAL (METER->AMP.)
3	GR	COMMUNICATION SIGNAL (AMP->METER) GROUND
5	B	GROUND
6	W	ALTERNATOR SIGNAL
7	P	AIR BAG SIGNAL
10	G	SECURITY INDICATOR SIGNAL
15	B	GROUND
16	B	METER CONTROL SWITCH GROUND
21	R	IGNITION POWER SUPPLY
22	B	GROUND
24	BR	COMMUNICATION SIGNAL (LCD->AMP.)
25	Y	COMMUNICATION SIGNAL (AMP->LCD)
26	R	VEHICLE SPEED SIGNAL (G PULSE)
27	V	PARKING BRAKE SWITCH SIGNAL
28	W	BRAKE FLUID LEVEL SWITCH SIGNAL
29	SB	SEAT BELT BUCKLE SW (DRIVER SIDE)
30	G	PASSENGER SEAT BELT WARNING SIGNAL
31	L	WASHER LEVEL SWITCH SIGNAL
34	O	ILL. CON OUT
36	LG	SELECT SWITCH SIGNAL
37	SB	ENTER SWITCH SIGNAL
38	L	TRIP A/B RESET SWITCH SIGNAL
39	P	ILLUMINATION CONTROL SWITCH SIGNAL (-)
40	O	ILLUMINATION CONTROL SWITCH SIGNAL (+)

Connector No.	M67
Connector Name	UNIFIED METER AND A/C AMP.
Connector Type	TH22FW-NH



Terminal No.	Color of Wire	Signal Name [Specification]
41	V	ACC POWER SUPPLY
42	Y	FUEL LEVEL SENSOR SIGNAL
43	R	INTAKE SENSOR SIGNAL
44	LG	IN-VEHICLE SENSOR SIGNAL
45	P	AMBIENT SENSOR SIGNAL
46	O	SUNLOAD SENSOR SIGNAL
47	V	GAS SENSOR SIGNAL
53	G	IGNITION POWER SUPPLY
54	O	BATTERY POWER SUPPLY
55	B	GROUND
56	L	CAN-H
57	W	BRAKE FLUID LEVEL SWITCH SIGNAL
58	B	FUEL LEVEL SENSOR GROUND
59	GR	INTAKE SENSOR GROUND
60	L	IN-VEHICLE SENSOR GROUND
61	BR	AMBIENT SENSOR GROUND
62	SB	SUNLOAD SENSOR GROUND
63	R	ION MODE SIGNAL
65	O	ECV SIGNAL
69	L	A/C LAMP SIGNAL
70	R	EACH DOOR MOTOR POWER SUPPLY
71	B	GROUND
72	P	CAN-L

A B C D E F G H I J K L N O P PG

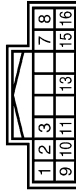
POWER SUPPLY ROUTING CIRCUIT

< DTC/CIRCUIT DIAGNOSIS >

[POWER SUPPLY & GROUND CIRCUIT]

BATTERY POWER SUPPLY FUSE No. 11

Connector No.	M105
Connector Name	AWD CONTROL UNIT
Connector Type	TH10FW-NH



Terminal No.	Color of Wire	Signal Name [Specification]
1	BR	AWD SOL (+)
2	Y	AWD SOL (-)
3	W	OIL TEMP (-)
7	GR	IGN
8	L	CAN-H
9	O	AWD SOL BAT
10	B	GND
11	B	GND
13	LG	OIL TEMP (+)
15	Y	VB
16	P	CAN-L

Connector No.	M117
Connector Name	WIRE TO WIRE
Connector Type	TH80MW-CS16-TM4



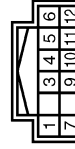
Terminal No.	Color of Wire	Signal Name [Specification]
1	GR	
2	BR	
3	V	
4	SB	
6	Y	
7	B	
8	W	
10	W	
11	BR	
12	GR	
13	SHIELD	

Terminal No.	Color of Wire	Signal Name [Specification]
14	L	
15	P	
16	SHIELD	
17	Y	
18	Y	
19	LG	
20	SB	
21	LG	
22	B	
22	GR	[With entertainment system]
23	W	[Without entertainment system]
23	W	[With entertainment system]
24	V	[Without entertainment system]
24	R	[With entertainment system]
24	W	[Without entertainment system]
25	SHIELD	[Without entertainment system]
25	R	[With entertainment system]
26	SB	
27	V	
28	SHIELD	
29	O	
30	P	
31	W	
32	W	
33	SB	
40	V	
41	SB	
41	Y	[With ICC]
42	V	[Without ICC]
42	W	[With ICC]
43	P	[Without ICC]
43	B	[With ICC]
44	R	[Without ICC]
44	R	[With ICC]
45	L	
45	G	[Without ICC]
46	O	[With ICC]
46	SHIELD	[Without ICC]
47	L	[With ICC]
47	B	[Without ICC]
48	P	[With ICC]
48	R	[Without ICC]
49	G	[With ICC]
49	W	[Without ICC]
50	SHIELD	
51	O	
52	GR	
53	G	
54	L	
55	P	
60	LG	
61	R	
62	SB	
63	V	

Terminal No.	Color of Wire	Signal Name [Specification]
5	B	
6	L	GND
7	P	CAN-H
9	LG	IGNITION
10	P	CAN-L
11	B	GND
12	P	CAN-L

Terminal No.	Color of Wire	Signal Name [Specification]
64	Y	
65	BR	
66	O	
67	W	
68	SHIELD	
69	LG	
71	SB	
72	V	
73	V	
74	LG	
75	R	
75	BR	[With V6 engine]
75	BR	[With V6 engine]
77	LG	
80	R	
81	L	
82	Y	
83	O	
84	W	
85	SB	
86	B	
87	P	
91	L	
92	L	
93	G	
94	W	
94	O	[With V6 engine]
94	O	[With V6 engine]
95	V	
96	G	
97	G	
98	L	
99	LG	
100	Y	

Connector No.	M125
Connector Name	CAN GATEWAY
Connector Type	TH12FW-NH



Terminal No.	Color of Wire	Signal Name [Specification]
1	L	CAN-H
3	GR	BATTERY
4	L	CAN-H

POWER SUPPLY ROUTING CIRCUIT

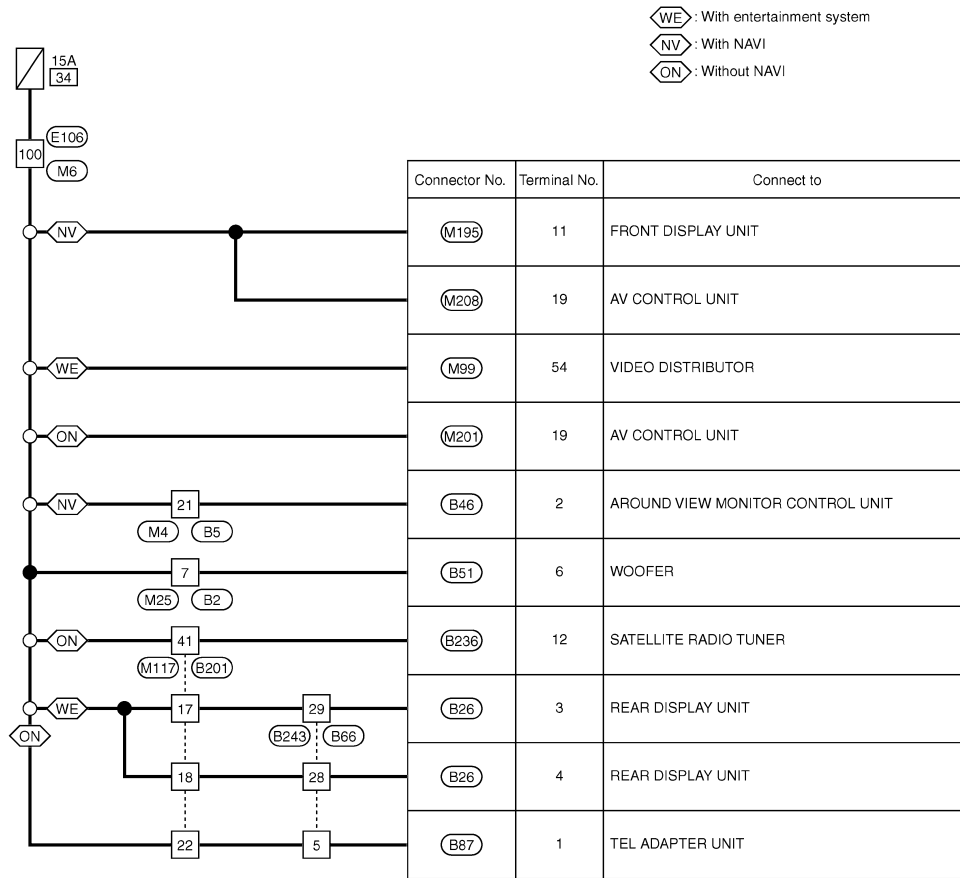
< DTC/CIRCUIT DIAGNOSIS >

[POWER SUPPLY & GROUND CIRCUIT]

Wiring Diagram - BATTERY POWER SUPPLY FUSE No. 34 -

INFOID:000000005550375

BATTERY POWER SUPPLY FUSE No. 34



WE: With entertainment system
 NV: With NAVI
 ON: Without NAVI

A
B
C
D
E
F
G
H
I
J
K
L
PG
N
O
P

2009/07/29

JCMWA5052GB

POWER SUPPLY ROUTING CIRCUIT

[POWER SUPPLY & GROUND CIRCUIT]

< DTC/CIRCUIT DIAGNOSIS >

BATTERY POWER SUPPLY FUSE No. 34

Connector No.	B2
Connector Name	WIRE TO WIRE
Connector Type	HS16FW-CS



7	6	5	4	3	2	1		
16	15	14	13	12	11	10	9	8

Terminal No.	Color of Wire	Signal Name [Specification]
6	O	-
7	W	-
8	SHIELD	-
9	G	-
10	R	-
11	V	-
12	SB	-
13	Y	-
14	LG	-
15	P	-
16	L	-

Connector No.	B5
Connector Name	WIRE TO WIRE
Connector Type	TH00MW-NH



1	2	3	4	5	6	7	8	9	10	11	12	13	14	15	16	17	18	19	20	21	22	23	24	25	26	27	28	29	30	31	32	33	34	35	36	37	38	39	40
---	---	---	---	---	---	---	---	---	----	----	----	----	----	----	----	----	----	----	----	----	----	----	----	----	----	----	----	----	----	----	----	----	----	----	----	----	----	----	----

Terminal No.	Color of Wire	Signal Name [Specification]
5	B	-
6	W	-
7	R	-
8	SHIELD	-
9	LG	-
10	SB	-
11	LG	-
12	SB	-
13	Y	-
21	G	-
22	G	-
23	LG	-

24	R	-
25	L	-
26	R	-
27	Y	-
28	W	-
29	BR	-
30	SHIELD	-
31	L	-
32	R	-
33	Y	-
34	W	-
35	BR	-
36	SHIELD	-
37	LG	-
38	G	-
39	V	-

Connector No.	B26
Connector Name	REAR DISPLAY UNIT
Connector Type	TH32FW-NH



2	4	6	8	10	12	14	16	18	20	22	24	26	28
1	3	5	7	9	11	13	15	17	19	21	23	25	27

Terminal No.	Color of Wire	Signal Name [Specification]
1	B	GND
2	B	GND
3	Y	BATTERY
4	LG	BATTERY
5	P	HEADPHONE ON SIGNAL
6	O	ACC
8	SHIELD	SHIELD
9	V	COMM (DISP->DIST)
10	SB	COMM (DISP->DISP)
11	O	IGNITION
12	SHIELD	SHIELD
13	G	COMPOSITE SYNCHRONIZING SIGNAL
14	R	COMPOSITE IMAGE SIGNAL
15	BR	RGB AREA (Y/S) SIGNAL
16	SHIELD	SHIELD
17	Y	VP
18	O	HP
19	SHIELD	SHIELD
20	B	RGB (R, BLUE) SIGNAL
21	R	RGB (G, GREEN) SIGNAL

22	W	RGB (R, RED) SIGNAL
24	BR	SHIELD
25	Y	HEADPHONE SOUND SIGNAL RH (-)
26	P	HEADPHONE SOUND SIGNAL LH (-)
27	BR	HEADPHONE SOUND SIGNAL RH (+)
28	L	HEADPHONE SOUND SIGNAL LH (+)

Connector No.	B46
Connector Name	AROUND VIEW MONITOR CONTROL UNIT
Connector Type	TH40FW-NH



2	4	6	8	10	12	14	16	18	20	22	24	26	28
1	3	5	7	9	11	13	15	17	19	21	23	25	27

Terminal No.	Color of Wire	Signal Name [Specification]
1	B	GND
2	Y	BATTERY
3	G	IGNITION SIGNAL
4	LG	ACC
5	R	ILLUMINATION SIGNAL
6	V	VEHICLE SPEED SIGNAL (P-PULSE)
7	O	REVERSE SIGNAL
9	B	CONTROL SIGNAL
13	B	CONTROL SIGNAL
17	SB	AV COMM (H)
18	LG	AV COMM (L)
21	SB	AV COMM (H)
22	LG	AV COMM (L)
23	LG	AUXILIARY INFARED LED (+)
24	G	AUXILIARY INFARED LED (-)
27	W	CAMERA IMAGE SIGNAL
28	SHIELD	SHIELD
29	R	SIDE CAMERA RH IMAGE SIGNAL
30	Y	SIDE CAMERA RH IMAGE GND
31	SHIELD	SHIELD
32	W	SIDE CAMERA RH GND
33	BR	SIDE CAMERA RH COMM
34	L	SIDE CAMERA RH POWER SUPPLY
35	W	REAR CAMERA COMM
36	G	REAR CAMERA POWER SUPPLY
37	SHIELD	SHIELD
38	L	REAR CAMERA GND
39	Y	REAR CAMERA IMAGE SIGNAL
40	BR	REAR CAMERA IMAGE GND

Connector No.	B51
Connector Name	WOOFER
Connector Type	RS06FY-PR



2	4	6
1	3	5

Terminal No.	Color of Wire	Signal Name [Specification]
1	R	SOUND SIGNAL WOOFER (-)
2	G	SOUND SIGNAL WOOFER (+)
4	G	WOOFER AMP. ON SIGNAL
5	B	GND
6	W	BATTERY

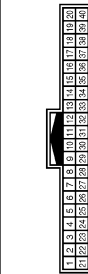
POWER SUPPLY ROUTING CIRCUIT

< DTC/CIRCUIT DIAGNOSIS >

[POWER SUPPLY & GROUND CIRCUIT]

BATTERY POWER SUPPLY FUSE No. 34

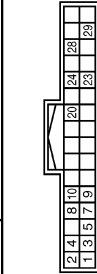
Connector No.	B86
Connector Name	WIRE TO WIRE
Connector Type	TH80FW-NH



Terminal No.	Color of Wire	Signal Name [Specification]
1	B	-
2	B	-
3	Y	-
4	LG	-
5	GR	-
6	B	-
7	SHIELD	- [With entertainment system]
8	P	- [Without entertainment system]
9	L	-
10	SHIELD	-
11	Y	-
12	BR	-
13	SHIELD	-
14	R	-
15	G	-
16	SHIELD	-
17	Y	-
18	O	-
19	BR	-
20	B	-
21	SHIELD	-
22	SHIELD	-
23	G	-
24	P	-
25	SHIELD	-
26	L	-
27	O	- [With entertainment system]
28	LG	- [Without entertainment system]
29	SB	- [With entertainment system]
30	Y	- [Without entertainment system]
31	O	-
32	SHIELD	-
33	V	-
34	SB	-
35	SHIELD	-

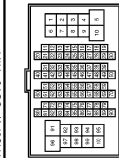
37	B	-
38	R	-
39	W	-

Connector No.	B67
Connector Name	TEL ADAPTER UNIT
Connector Type	TH82FW-NH



Terminal No.	Color of Wire	Signal Name [Specification]
1	GR	BATTERY
2	LG	ACC
3	W	IGNITION SIGNAL
4	B	GND
5	SHIELD	SHIELD
6	SHIELD	MICROPHONE SIGNAL
7	L	MICROPHONE GND
8	Y	TEL VOICE SIGNAL (*)
9	G	TEL VOICE SIGNAL (*)
10	B	CONTROL SIGNAL
20	B	CONTROL SIGNAL
23	B	CONTROL SIGNAL
24	B	CONTROL SIGNAL
28	V	VEHICLE SPEED SIGNAL (3-PULSE)
29	P	MICROPHONE VCC

Connector No.	B201
Connector Name	WIRE TO WIRE
Connector Type	TH80FW-CS 16-TM4



Terminal No.	Color of Wire	Signal Name [Specification]
1	G	-
2	R	-
3	BR	-

Terminal No.	Color of Wire	Signal Name [Specification]
4	SB	-
6	O	-
7	GR	-
8	W	-
9	G	-
10	GR	-
11	BR	-
12	Y	-
13	SHIELD	-
14	G	-
15	R	-
16	SHIELD	-
17	LG	-
18	GR	-
19	V	-
20	SB	-
21	LG	-
22	B	- [With entertainment system]
23	GR	- [Without entertainment system]
24	W	- [With entertainment system]
25	LG	- [Without entertainment system]
26	R	- [With entertainment system]
27	W	- [Without entertainment system]
28	SHIELD	-
29	O	-
30	P	-
31	W	-
32	GR	-
33	SB	-
40	LG	- [With ICC]
41	SB	- [Without ICC]
42	V	- [With ICC]
43	BR	- [Without ICC]
44	R	- [With ICC]
45	G	- [Without ICC]
46	O	- [With ICC]
47	L	- [With ICC]
48	P	- [Without ICC]
49	G	- [With ICC]
50	SHIELD	- [Without ICC]
51	W	-

Terminal No.	Color of Wire	Signal Name [Specification]
52	R	-
53	G	-
54	L	-
55	SB	-
60	GR	-
61	LG	-
62	SB	-
63	P	-
64	BR	-
65	O	-
66	Y	-
67	W	-
68	SHIELD	-
69	G	-
71	SB	-
72	V	-
73	LG	-
74	W	-
75	BR	-
76	V	-
77	LG	-
80	O	-
81	G	-
82	P	-
83	Y	-
84	B	-
85	SB	-
86	GR	-
87	L	-
91	V	-
92	W	-
93	R	-
94	LG	-
95	GR	-
96	W	-
97	G	-
98	O	-
99	L	-
100	Y	-

A
B
C
D
E
F
G
H
I
J
K
L
N
O
P

PG

POWER SUPPLY ROUTING CIRCUIT

< DTC/CIRCUIT DIAGNOSIS >

[POWER SUPPLY & GROUND CIRCUIT]

BATTERY POWER SUPPLY FUSE No. 34

Connector No.	B236
Connector Name	SATELLITE RADIO TUNER
Connector Type	A16FW



1	2	3	4	5	6	7	8	9	10	11	12	13	14	15	16

Terminal No.	Color of Wire	Signal Name [Specification]
1	W	SATELLITE RADIO SOUND SIGNAL LH (-)
2	B	SATELLITE RADIO SOUND SIGNAL LH (+)
3	R	SATELLITE RADIO SOUND SIGNAL RH (-)
4	G	SATELLITE RADIO SOUND SIGNAL RH (+)
5	SHIELD	SHIELD
6	SHIELD	SHIELD
8	W	REQUEST (SAT->CONT)
9	B	COMM (SAT->CONT)
10	R	COMM (CONT->SAT)
12	Y	BATTERY
16	V	ACC

Connector No.	B243
Connector Name	WIRE TO WIRE
Connector Type	TH01FW-NH



1	2	3	4	5	6	7	8	9	10	11	12	13	14	15	16

Terminal No.	Color of Wire	Signal Name [Specification]
1	B	
2	B	
3	Y	
4	LG	
5	GR	
6	B	
7	SHIELD	- [With entertainment system]
		- [Without entertainment system]
8	R	
9	G	
10	SHIELD	

11	Y	-
12	BR	-
13	SHIELD	-
14	L	-
15	P	-
16	SHIELD	-
17	R	-
18	W	-
19	B	-
21	B	-
22	SHIELD	-
23	G	-
24	P	-
25	SHIELD	-
26	L	-
27	V	- [With entertainment system]
		- [Without entertainment system]
28	GR	- [With entertainment system]
		- [Without entertainment system]
29	LG	-
30	P	-
31	O	-
32	SHIELD	-
33	V	-
34	SB	-
35	SHIELD	-
37	B	-
38	R	-
39	W	-

Connector No.	E106
Connector Name	WIRE TO WIRE
Connector Type	TH60FW-CS16-TM4



1	2	3	4	5	6	7	8	9	10	11	12	13	14	15	16

Terminal No.	Color of Wire	Signal Name [Specification]
1	G	
2	O	
3	SR	
4	LG	
5	V	
6	W	
7	G	

60	SB	-
61	V	-
62	P	-
63	LG	-
64	L	-
65	O	-
66	L	-
68	O	-
69	L	-
70	SHIELD	-
71	G	-
72	G	-
73	R	-
74	BR	-
76	L	-
77	W	-
78	Y	-
80	SB	-
81	L	-
82	W	-
83	LG	-
84	GR	-
85	G	-
86	P	-
87	W	-
88	O	-
89	LG	-
90	BR	-
91	GR	-
92	BR	-
93	SB	-
94	W	-
95	Y	-
96	W	-
100	Y	-

8	V	-
9	R	-
10	BR	-
11	B	-
12	G	-
13	R	-
14	W	-
15	SHIELD	-
16	SB	-
17	L	-
18	P	-
19	G	-
20	W	- [With ICC]
		- [Without ICC]
21	BR	-
22	R	- [With ICC]
		- [Without ICC]
23	G	-
24	L	- [With ICC]
		- [Without ICC]
25	Y	- [With ICC]
		- [Without ICC]
26	L	-
28	G	-
29	LG	-
30	O	-
31	BR	-
32	W	-
33	Y	-
34	O	-
35	SB	-
36	P	-
37	Y	-
38	GR	-
39	LG	-
41	LG	-
42	V	-
43	R	-
44	G	-
45	GR	-
46	W	-
47	L	-
48	P	-
49	SB	-
50	BR	-
51	B	-
52	Y	-
53	O	-
54	R	-
55	SR	-
56	P	-
59	P	-

POWER SUPPLY ROUTING CIRCUIT

[POWER SUPPLY & GROUND CIRCUIT]

< DTC/CIRCUIT DIAGNOSIS >

BATTERY POWER SUPPLY FUSE No. 34

Connector No.	M4
Connector Name	WIRE TO WIRE
Connector Type	TH08FY-NH

1	2	3	4	5	6	7	8	9	10	11	12	13	14	15	16	17	18	19	20	21	22	23	24	25	26	27	28	29	30	31	32	33	34		



Connector No.	M6
Connector Name	WIRE TO WIRE
Connector Type	TH08MW-CS(F-TM)

1	2	3	4	5	6	7	8	9	10	11	12	13	14	15	16	17	18	19	20	21	22	23	24	25	26	27	28	29	30	31	32	33	34	



Terminal No.	Color of Wire	Signal Name [Specification]
5	B	-
6	W	-
7	R	-
8	SHIELD	-
9	LG	-
10	SB	-
11	LG	-
12	SB	-
21	Y	-
22	R	-
23	V	-
24	R	-
25	R	-
26	Y	-
27	G	-
28	B	-
29	W	-
30	SHIELD	-
31	R	-
32	Y	-
33	G	-
34	B	-
35	W	-
36	SHIELD	-
37	LG	-
38	G	-
39	V	-

Terminal No.	Color of Wire	Signal Name [Specification]
1	G	-
2	O	-
3	SB	-
4	LG	-
5	GR	-
6	W	-
7	G	-
8	W	-
9	P	-
10	BR	-
11	B	-
12	G	-
13	R	-
14	W	-
15	SHIELD	-
16	BR	-
17	L	-
18	P	-
19	G	-
20	W	- [With ICC]
20	GR	- [Without ICC]
21	BR	- [With ICC]
21	R	- [Without ICC]
22	R	- [With ICC]
22	L	- [Without ICC]
23	G	-
24	L	- [With ICC]
24	P	- [Without ICC]
25	Y	- [With ICC]
25	W	- [Without ICC]
26	SHIELD	-
28	GR	-
29	V	-
30	O	-
30	BR	-
31	BR	-
32	W	-
33	Y	-
34	L	-

94	L	-
95	G	-
96	W	-
100	Y	-

Connector No.	M25
Connector Name	WIRE TO WIRE
Connector Type	NS16MW-CS



1	2	3	4	5	6	7		
8	9	10	11	12	13	14	15	16

Terminal No.	Color of Wire	Signal Name [Specification]
6	SB	-
7	Y	-
8	SHIELD	-
9	G	-
10	R	-
11	V	-
12	SB	-
13	SB	-
14	LG	-
15	P	-
16	L	-

Connector No.	M99
Connector Name	VIDEO DISTRIBUTOR
Connector Type	TH08FY-NH



53	54	55	56	60
----	----	----	----	----

Terminal No.	Color of Wire	Signal Name [Specification]
53	B	GND
54	Y	BATTERY
55	SB	ACC
56	G	IGNITION
60	P	HEADPHONE ON SIGNAL

35	L	-
36	P	-
37	G	-
38	R	-
39	G	-
41	L	-
42	W	-
43	R	-
44	LG	-
45	GR	-
46	W	-
47	L	-
48	P	-
49	O	-
50	LG	-
51	SB	-
52	Y	-
53	O	-
54	BR	-
55	SB	-
56	P	-
59	SB	-
60	SB	-
61	V	-
62	P	-
63	R	-
64	L	-
65	O	-
66	L	-
69	V	-
70	SHIELD	-
71	O	-
72	GR	-
73	W	-
74	SB	-
76	V	-
77	Y	-
78	Y	-
80	O	-
81	L	-
82	W	-
83	Y	-
84	L	-
85	P	-
86	BR	-
87	P	-
88	V	-
89	G	-
90	P	-
91	R	-
92	R	-
93	GR	-

A
B
C
D
E
F
G
H
I
J
K
L
N
O
P

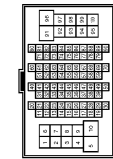
POWER SUPPLY ROUTING CIRCUIT

< DTC/CIRCUIT DIAGNOSIS >

[POWER SUPPLY & GROUND CIRCUIT]

BATTERY POWER SUPPLY FUSE No. 34

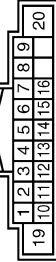
Connector No.	M117
Connector Name	WIRE TO WIRE
Connector Type	TH80MW-CS16-1M4



Terminal No.	Color of Wire	Signal Name [Specification]
42	V	- [With ICC]
43	W	- [Without ICC]
43	W	- [With ICC]
43	B	- [Without ICC]
43	B	- [With ICC]
44	R	- [With ICC]
45	L	- [Without ICC]
45	G	- [With ICC]
46	O	- [With ICC]
46	SHIELD	- [Without ICC]
47	L	- [With ICC]
47	B	- [Without ICC]
48	P	- [With ICC]
48	R	- [Without ICC]
49	G	- [With ICC]
49	W	- [Without ICC]
50	SHIELD	-
51	O	-
52	GR	-
53	G	-
54	L	-
55	P	-
60	LG	-
61	R	-
62	SB	-
63	V	-
64	Y	-
65	BR	-
66	O	-
67	W	-
68	SHIELD	-
69	G	-
71	SB	-
72	V	-
73	V	-
74	LG	-
75	R	- [With VK engine]
75	BR	- [With VG engine]
76	V	-
77	LG	-
80	R	-
81	L	-
82	Y	-
83	O	-
84	W	-
85	SB	-
86	B	-
87	P	-
91	L	-
92	L	-
93	G	-
94	W	- [With VK engine]
94	O	- [With VG engine]

9	R	ILLUMINATION SIGNAL
15	B	STRG SW GND
16	L	STRG SW B
19	Y	BATTERY
20	B	GND

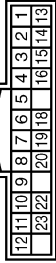
Connector No.	M208
Connector Name	AV CONTROL UNIT
Connector Type	TH18FW-CS2



Terminal No.	Color of Wire	Signal Name [Specification]
1	V	AMP_ON SIGNAL
2	P	SOUND SIGNAL FRONT LH (+)
3	L	SOUND SIGNAL FRONT LH (-)
4	V	SOUND SIGNAL REAR LH (+)
5	LG	SOUND SIGNAL REAR LH (-)
6	P	STRG SW A
7	V	ACC
10	B	SHIELD
11	R	SOUND SIGNAL FRONT RH (+)
12	G	SOUND SIGNAL FRONT RH (-)
13	BR	SOUND SIGNAL REAR RH (+)
14	Y	SOUND SIGNAL REAR RH (-)
15	B	STRG SW GND
16	L	STRG SW B
19	Y	BATTERY
20	B	GND

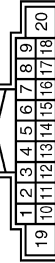
95	V	-
96	G	-
97	G	-
98	L	-
99	LG	-
100	Y	-

Connector No.	M195
Connector Name	FRONT DISPLAY UNIT
Connector Type	TH124FW-NH



Terminal No.	Color of Wire	Signal Name [Specification]
6	SHIELD	SHIELD
7	SHIELD	SHIELD
8	W	CAMERA IMAGE SIGNAL
9	G	COMM (DSP->CONT)
10	R	COMM (CONT->DSP)
11	P	BATTERY
12	B	GND
13	R	COMPOSITE IMAGE SIGNAL
19	B	COMPOSITE IMAGE SIGNAL GND
20	W	COMPOSITE IMAGE SYNC SIGNAL
22	SHIELD	SHIELD
23	L	ACC

Connector No.	M201
Connector Name	AV CONTROL UNIT
Connector Type	TH18FW-CS2



Terminal No.	Color of Wire	Signal Name [Specification]
6	P	STRG SW A
7	V	ACC

Terminal No.	Color of Wire	Signal Name [Specification]
1	GR	-
2	BR	-
3	V	-
4	SB	-
6	Y	-
7	B	-
8	W	-
10	W	-
11	BR	-
12	GR	-
13	SHIELD	-
14	SHIELD	-
15	B	-
16	SHIELD	-
17	Y	-
18	Y	-
19	LG	-
20	SB	-
21	LG	-
22	B	- [With entertainment system]
22	GR	- [Without entertainment system]
23	W	- [With entertainment system]
23	V	- [Without entertainment system]
24	R	- [With entertainment system]
24	W	- [Without entertainment system]
25	SHIELD	- [With entertainment system]
25	R	- [Without entertainment system]
26	SB	-
27	V	-
28	SHIELD	-
29	O	-
30	P	-
31	W	-
32	W	-
33	SB	-
40	V	-
41	SB	- [With ICC]
41	Y	- [Without ICC]

JCMWA5057GB

POWER SUPPLY ROUTING CIRCUIT

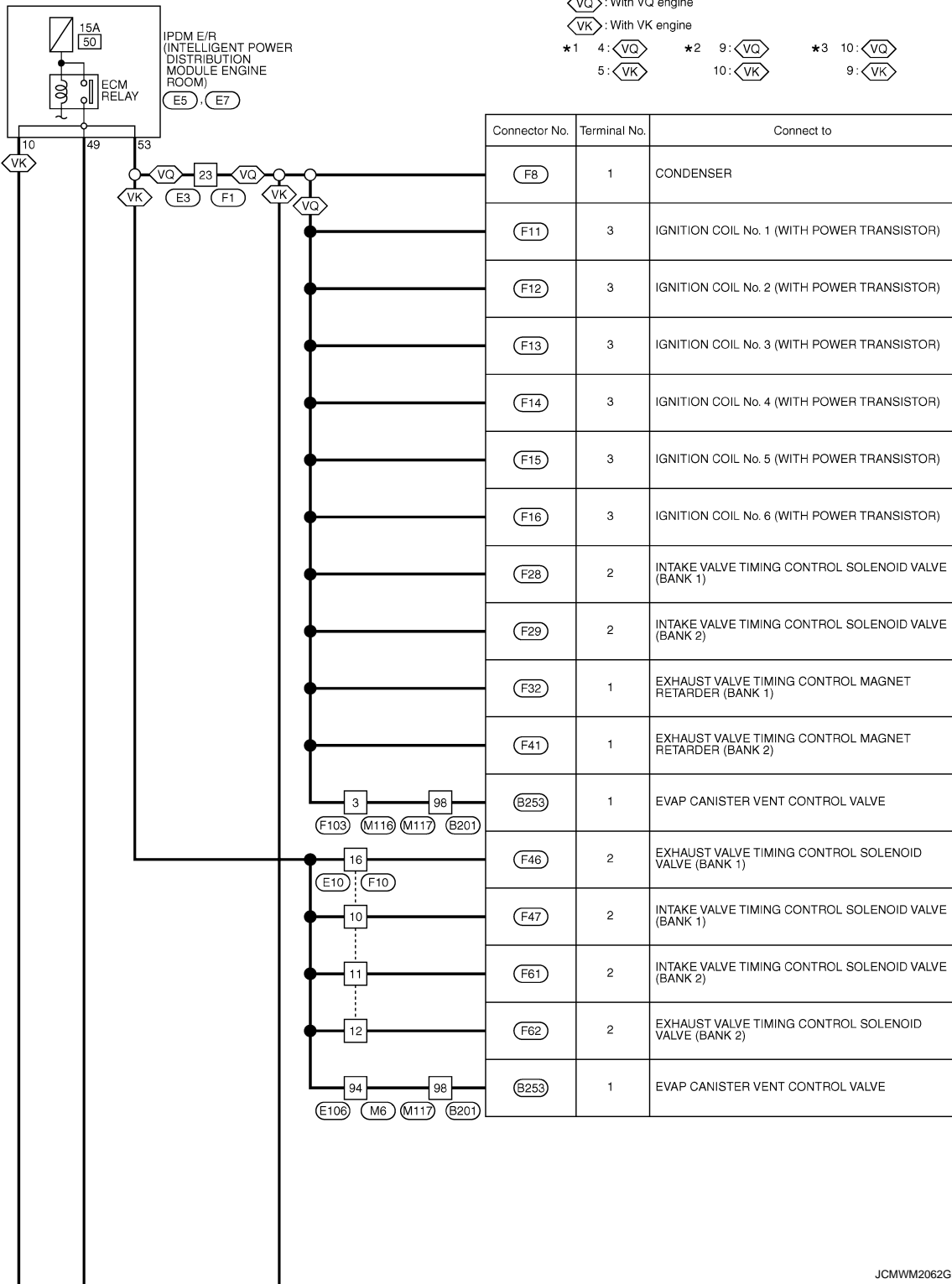
[POWER SUPPLY & GROUND CIRCUIT]

< DTC/CIRCUIT DIAGNOSIS >

Wiring Diagram - BATTERY POWER SUPPLY FUSE No. 50 -

INFOID:000000005550376

BATTERY POWER SUPPLY FUSE No. 50



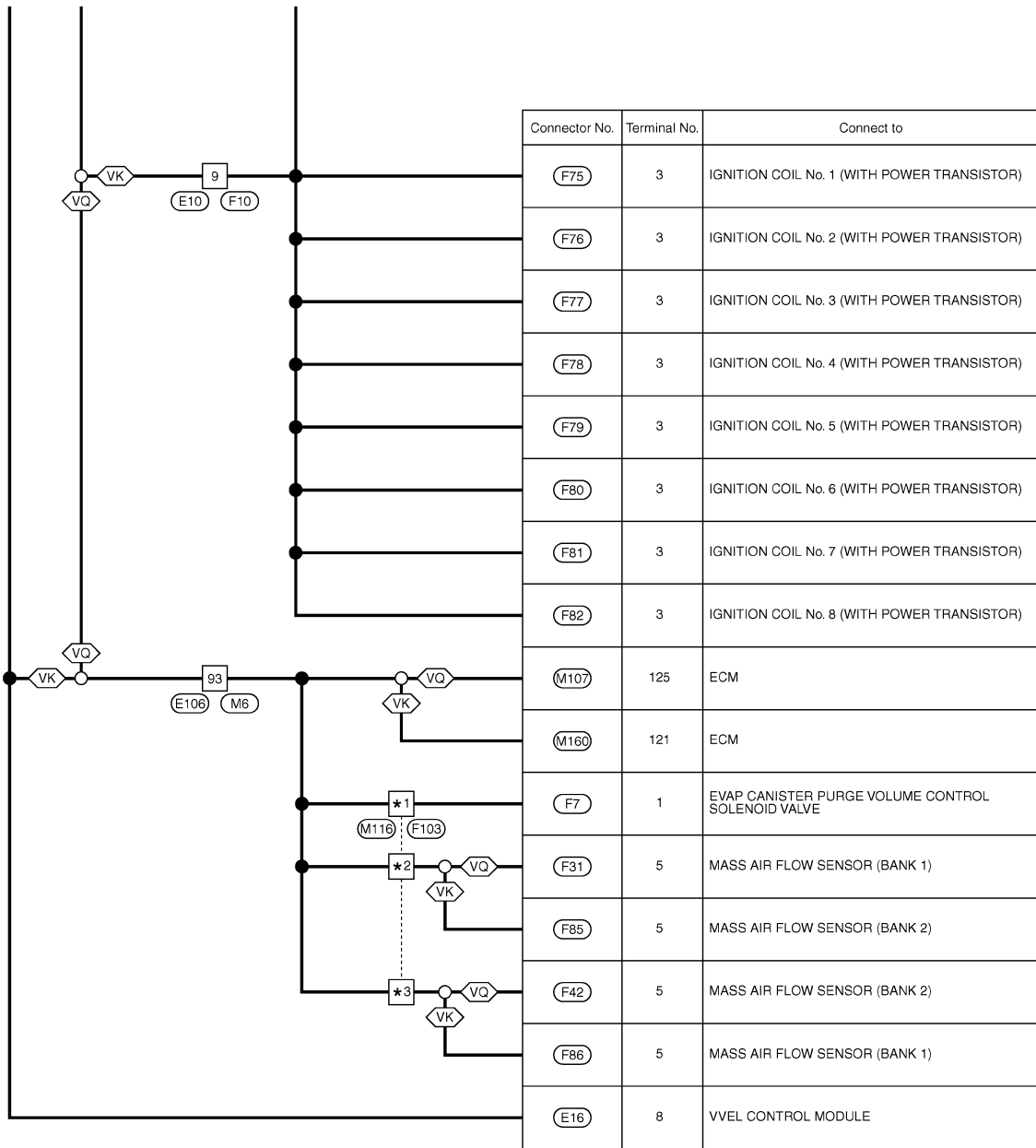
A
B
C
D
E
F
G
H
I
J
K
L
PG
N
O
P

JCMWM2062GB

POWER SUPPLY ROUTING CIRCUIT

< DTC/CIRCUIT DIAGNOSIS >

[POWER SUPPLY & GROUND CIRCUIT]



2008/03/04

JCMWM2063GB

POWER SUPPLY ROUTING CIRCUIT

< DTC/CIRCUIT DIAGNOSIS >

[POWER SUPPLY & GROUND CIRCUIT]

BATTERY POWER SUPPLY FUSE No. 50

Connector No.	B201
Connector Name	WIRE TO WIRE
Connector Type	TH20PW-CS16-TM4



Terminal No.	Color of Wire	Signal Name [Specification]
1	G	-
2	R	-
3	BR	-
4	SB	-
6	O	-
7	GR	-
8	W	-
10	G	-
11	BR	-
12	Y	-
13	SHIELD	-
14	G	-
15	R	-
16	SHIELD	-
17	LG	-
18	GR	-
19	V	-
20	SB	-
21	LG	-
22	B	- [With entertainment system] - [Without entertainment system]
23	GR	- [With entertainment system] - [Without entertainment system]
23	W	- [With entertainment system] - [Without entertainment system]
24	R	- [With entertainment system] - [Without entertainment system]
24	W	- [With entertainment system] - [Without entertainment system]
25	SHIELD	- [With entertainment system] - [Without entertainment system]
25	V	- [With entertainment system] - [Without entertainment system]
26	SB	-
27	V	-
28	SHIELD	-
29	O	-
30	P	-
31	W	-
32	GR	-
33	SB	-
34	LG	- [With ICC] - [Without ICC]
40	V	- [With ICC] - [Without ICC]
41	SB	-

41	Y	- [Without ICC] - [With ICC]
42	V	- [Without ICC] - [With ICC]
42	W	- [Without ICC] - [With ICC]
43	BR	- [Without ICC] - [With ICC]
43	B	- [Without ICC] - [With ICC]
44	R	-
44	G	-
45	O	-
46	SHIELD	- [With ICC] - [Without ICC]
47	L	- [With ICC] - [Without ICC]
47	B	- [Without ICC] - [With ICC]
48	P	- [Without ICC] - [With ICC]
48	R	- [Without ICC] - [With ICC]
49	G	- [Without ICC] - [With ICC]
49	W	- [Without ICC] - [With ICC]
50	SHIELD	-
51	W	-
52	R	-
53	G	-
54	L	-
55	SB	-
60	GR	-
61	LG	-
62	SB	-
63	P	-
64	BR	-
65	Y	-
66	V	-
67	W	-
68	SHIELD	-
69	G	-
71	SB	-
72	V	-
73	LG	-
74	W	-
75	BR	-
76	V	-
77	LG	-
80	O	-
81	G	-
82	P	-
83	Y	-
84	R	-
85	SB	-
86	GR	-
87	L	-
91	V	-
92	W	-
93	R	-
94	LG	-
95	GR	-
96	W	-

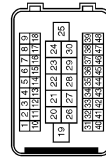
97	G	-
98	O	-
99	L	-
100	Y	-

Connector No.	E233
Connector Name	E/VAP CANISTER VENT CONTROL VALVE
Connector Type	EC2FB-RS



Terminal No.	Color of Wire	Signal Name [Specification]
1	O	-
2	L	-

Connector No.	E3
Connector Name	WIRE TO WIRE
Connector Type	SPA38MB-RS10-SJZ



Terminal No.	Color of Wire	Signal Name [Specification]
19	W	-
20	GR	-
21	G	-
22	LG	-
23	W	-
25	BR	-
26	BR	-
27	R	-
28	R	-
29	L	-
30	V	-
31	LG	-
32	L	-
33	P	-

34	G	-
35	Y	-
40	O	-
41	W	-
42	V	-
43	W	-

Connector No.	E5
Connector Name	IPM E/R INTELLIGENT POWER DISTRIBUTION MODULE (IGM E/ROD)
Connector Type	TH20PW-CS12-M4-1V



Terminal No.	Color of Wire	Signal Name [Specification]
4	V	-
5	L	-
7	R	-
10	SR	-
11	BR	-
12	B	-
13	V	-
16	LG	-
19	W	-
25	G	-
26	R	-
27	Y	-
28	O	-
30	GR	-
32	SB	-
33	P	-
36	G	-

A B C D E F G H I J K L N O P

PG

JCMWA5058GB

POWER SUPPLY ROUTING CIRCUIT

< DTC/CIRCUIT DIAGNOSIS >

[POWER SUPPLY & GROUND CIRCUIT]

BATTERY POWER SUPPLY FUSE No. 50

Connector No.	E7
Connector Name	ENGINE INTELLEKT-POWER DISTRIBUTION MODULE ENGINE FPCOM
Connector Type	TH00PW-GS12-M4



Terminal No.	Color of Wire	Signal Name [Specification]
48	L	-
49	W	- [With VK engine]
51	G	- [With VO engine]
52	W	-
53	W	-
54	R	-
55	BR	-
56	O	- [With VK engine]
57	V	- [With VO engine]
58	Y	-
68	W	-
70	O	-
74	G	-
75	Y	-
76	P	- [With VK engine]
76	V	- [With VO engine]
77	B	- [With VK engine]
77	L	- [With VO engine]
80	W	-



Connector No.	E10
Connector Name	WIPE TO WIPE
Connector Type	SAA38MF-RSS-SHZ8

Terminal No.	1	SHIELD
Color of Wire		
Signal Name [Specification]		

2	L	-
3	G	-
4	BR	-
5	G	-
6	BR	-
7	W	-
8	SHIELD	-
9	W	-
10	W	-
11	W	-
12	W	-
13	R	-
14	LG	-
15	O	-
16	W	-
17	P	-
18	W	-
19	W	-
20	BR	-
21	SB	-
22	W	-
23	Y	-
24	Y	-
26	LG	-
27	G	-
28	GR	-
29	P	-
30	W	-
31	G	-
32	L	-
33	O	-
35	R	-
36	SHIELD	-
37	Y	-
38	SHIELD	-
39	W	-
40	SHIELD	-
41	Y	-
42	SHIELD	-
43	W	-
44	G	-
45	L	-
46	G	-
47	B	-
48	R	-
49	L	-
50	G	-
51	B	-
52	R	-

Connector No.	E16
Connector Name	VVEL CONTROL MODULE
Connector Type	RH18FB-AJZ8-LH



Terminal No.	Color of Wire	Signal Name [Specification]
1	W	VMOT-B2
2	BR	MOTOR1-B2
3	R	VEL/S1-B1
4	B	AGND1
5	R	VEL/S1-B2
6	B	AGND3
7	W	AVCC3
8	R	VB
9	W	AVCC1
11	G	CAN H
12	G	MOTOR-B 1
13	W	VMOT-B1
14	B	P-GND
15	G	MOTOR2-B2
16	G	VEL/S2-B1
17	L	AGND2
18	G	VEL/S2-B2
19	L	AGND4
20	Y	AVCC4
21	V	ABORT
22	Y	AVCC2
23	L	M-RLY
24	R	CAN L
25	BR	MOTOR2-B1

JCMWA5059GB

POWER SUPPLY ROUTING CIRCUIT

[POWER SUPPLY & GROUND CIRCUIT]

< DTC/CIRCUIT DIAGNOSIS >

BATTERY POWER SUPPLY FUSE No. 50

Connector No.	E106
Connector Name	WIRE TO WIRE
Connector Type	THBDFW-CS16-TM4



Terminal No.	Color of Wire	Signal Name [Specification]
1	G	-
2	O	-
3	SB	-
4	LG	-
5	Y	-
6	W	-
7	G	-
8	V	-
9	R	-
10	BR	-
11	B	-
12	G	-
13	R	-
14	W	-
15	SHIELD	-
16	SB	-
17	L	-
18	P	-
19	G	-
20	W	- [With ICC] - [Without ICC]
21	Y	- [With ICC] - [Without ICC]
22	R	- [With ICC] - [Without ICC]
23	G	- [With ICC] - [Without ICC]
24	L	- [With ICC] - [Without ICC]
25	Y	- [With ICC] - [Without ICC]
26	L	- [With ICC] - [Without ICC]
27	SHIELD	-
28	G	-
29	LG	-
30	O	-
31	BR	-
32	W	-
33	Y	-
34	O	-
35	SB	-

95	Y	-
96	W	-
100	Y	-

Connector No.	F1
Connector Name	WIRE TO WIRE
Connector Type	ISA436FB-RS10-SJ22



Terminal No.	Color of Wire	Signal Name [Specification]
19	W	-
20	GR	-
21	P	-
22	G	-
23	W	-
25	P	-
26	BR	-
27	R	-
28	R	-
29	L	-
30	Y	-
31	V	-
32	LG	-
33	GR	-
34	G	-
35	Y	-
40	O	-
41	SB	-
42	P	-
43	BR	-

Connector No.	F7
Connector Name	EVAP CANISTER PURGE VOLUME CONTROL SOLENOID VALVE
Connector Type	ES2PEL-RS-LGY



Terminal No.	Color of Wire	Signal Name [Specification]
1	R	-
2	W	- [With VK engine] - [With VQ engine]
2	GR	-

Connector No.	F8
Connector Name	CONDENSER
Connector Type	M02FW-LG



Terminal No.	Color of Wire	Signal Name [Specification]
1	W	-
2	B	-

JCMWA5060GB

A
B
C
D
E
F
G
H
I
J
K
L
PG
N
O
P

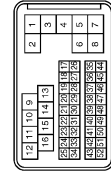
POWER SUPPLY ROUTING CIRCUIT

< DTC/CIRCUIT DIAGNOSIS >

[POWER SUPPLY & GROUND CIRCUIT]

BATTERY POWER SUPPLY FUSE No. 50

Connector No.	F10
Connector Name	WIRE TO WIRE
Connector Type	SAA3FB-B-RS8-SH28



41	Y	-
42	SHIELD	-
43	W	-
44	LG	-
45	-	-
46	G	-
47	B	-
48	R	-
49	L	-
50	G	-
51	B	-
52	R	-

Terminal No.	Color of Wire	Signal Name [Specification]
1	SHIELD	-
2	Y	-
3	G	-
4	BR	-
5	B	-
6	W	-
7	R	-
8	SHIELD	-
9	W	-
10	G	-
11	Y	-
12	V	-
13	P	-
14	L	-
15	O	-
16	R	-
17	GR	-
18	G	-
19	O	-
20	R	-
21	V	-
22	B	-
23	LG	-
24	Y	-
26	O	-
27	SB	-
28	LG	-
29	P	-
30	GR	-
31	BR	-
32	G	-
33	L	-
35	P	-
36	SHIELD	-
37	Y	-
38	SHIELD	-
39	W	-
40	SHIELD	-

Connector No.	F11
Connector Name	IGNITION COIL No. 1 (WITH POWER TRANSISTOR)
Connector Type	ED3FGY-RS



Terminal No.	Color of Wire	Signal Name [Specification]
1	Y	-
2	B	-
3	W	-

Connector No.	F12
Connector Name	IGNITION COIL No. 2 (WITH POWER TRANSISTOR)
Connector Type	ED3FGY-RS



Terminal No.	Color of Wire	Signal Name [Specification]
1	G	-
2	B	-
3	W	-

Connector No.	F13
Connector Name	IGNITION COIL No. 3 (WITH POWER TRANSISTOR)
Connector Type	ED3FGY-RS



Terminal No.	Color of Wire	Signal Name [Specification]
1	L	-
2	B	-
3	W	-

Connector No.	F14
Connector Name	IGNITION COIL No. 4 (WITH POWER TRANSISTOR)
Connector Type	ED3FGY-RS



Terminal No.	Color of Wire	Signal Name [Specification]
1	GR	-
2	B	-
3	W	-

Connector No.	F15
Connector Name	IGNITION COIL No. 5 (WITH POWER TRANSISTOR)
Connector Type	ED3FGY-RS



Terminal No.	Color of Wire	Signal Name [Specification]
1	G	-
2	B	-
3	W	-

1	V	-
2	B	-
3	W	-

Connector No.	F16
Connector Name	IGNITION COIL No. 6 (WITH POWER TRANSISTOR)
Connector Type	ED3FGY-RS



Terminal No.	Color of Wire	Signal Name [Specification]
1	SB	-
2	B	-
3	W	-

Connector No.	F28
Connector Name	STAGE VALVE TRIMING CONTROL SOLENOID VALVE BANK
Connector Type	ED2FG-RS-LGY



Terminal No.	Color of Wire	Signal Name [Specification]
1	W	-
2	R	-

JCMWA5061GB

POWER SUPPLY ROUTING CIRCUIT

< DTC/CIRCUIT DIAGNOSIS >

[POWER SUPPLY & GROUND CIRCUIT]

BATTERY POWER SUPPLY FUSE No. 50

Connector No.	F29
Connector Name	INTAKE VALVE TIMING CONTROL SOLENOID VALVE (BANK 2)
Connector Type	E02FG-RS-LGY



Terminal No.	1	2
Color of Wire	G	R
Signal Name [Specification]		

Connector No.	F31
Connector Name	MASS AIR FLOW SENSOR (BANK 1)
Connector Type	RH08FB



Terminal No.	1	2	3	4	5
Color of Wire	B	P	SB	LG	Y
Signal Name [Specification]					

Connector No.	F32
Connector Name	EXHAUST VALVE TIMING CONTROL MAGNET RETAINER (BANK 1)
Connector Type	RS0MFL-B



Terminal No.	1	2
Color of Wire	P	SB
Signal Name [Specification]		

Connector No.	F41
Connector Name	EXHAUST VALVE TIMING CONTROL MAGNET RETAINER (BANK 2)
Connector Type	RS04FL-B



Terminal No.	1	2
Color of Wire	R	Y
Signal Name [Specification]		

Connector No.	F42
Connector Name	MASS AIR FLOW SENSOR (BANK 2)
Connector Type	RH08FB



Terminal No.	1	2	3	4	5
Color of Wire	Y	R	GR	LG	GR
Signal Name [Specification]					

Connector No.	F46
Connector Name	EXHAUST VALVE TIMING CONTROL SOLENOID VALVE (BANK 1)
Connector Type	E02FG-RS-LGY



Terminal No.	1	2
Color of Wire	G	R
Signal Name [Specification]		

Connector No.	F47
Connector Name	INTAKE VALVE TIMING CONTROL SOLENOID VALVE (BANK 2)
Connector Type	E02FG-RS-LGY



Terminal No.	1	2
Color of Wire	O	G
Signal Name [Specification]		

Connector No.	F51
Connector Name	INTAKE VALVE TIMING CONTROL SOLENOID VALVE (BANK 1)
Connector Type	E02FG-RS-LGY



Terminal No.	1	2
Color of Wire	L	Y
Signal Name [Specification]		

Connector No.	F52
Connector Name	EXHAUST VALVE TIMING CONTROL SOLENOID VALVE (BANK 2)
Connector Type	E02FG-RS-LGY



Terminal No.	1	2
Color of Wire	Y	V
Signal Name [Specification]		

Connector No.	F75
Connector Name	IGNITION COIL No. 1 (WITH POWER TRANSISTOR)
Connector Type	E03GY-RS



Terminal No.	1	2	3
Color of Wire	Y	B	W
Signal Name [Specification]			

JCMWA5062GB

A
B
C
D
E
F
G
H
I
J
K
L
PG
N
O
P

POWER SUPPLY ROUTING CIRCUIT

[POWER SUPPLY & GROUND CIRCUIT]

< DTC/CIRCUIT DIAGNOSIS >

BATTERY POWER SUPPLY FUSE No. 50

Connector No.	F76
Connector Name	IGNITION COIL No. 2 (WITH POWER TRANSISTOR)
Connector Type	EO3FGY-RS



Terminal No.	Color of Wire	Signal Name [Specification]
1	G	-
2	B	-
3	W	-

Connector No.	F77
Connector Name	IGNITION COIL No. 3 (WITH POWER TRANSISTOR)
Connector Type	EO3FGY-RS



Terminal No.	Color of Wire	Signal Name [Specification]
1	V	-
2	B	-
3	W	-

Connector No.	F78
Connector Name	IGNITION COIL No. 4 (WITH POWER TRANSISTOR)
Connector Type	EO3FGY-RS



Terminal No.	Color of Wire	Signal Name [Specification]
--------------	---------------	-----------------------------

Connector No.	F79
Connector Name	IGNITION COIL No. 5 (WITH POWER TRANSISTOR)
Connector Type	EO3FGY-RS



Terminal No.	Color of Wire	Signal Name [Specification]
1	SB	-
2	B	-
3	W	-

Connector No.	F80
Connector Name	IGNITION COIL No. 6 (WITH POWER TRANSISTOR)
Connector Type	EO3FGY-RS



Terminal No.	Color of Wire	Signal Name [Specification]
1	LG	-
2	B	-
3	W	-

Connector No.	F81
Connector Name	IGNITION COIL No. 7 (WITH POWER TRANSISTOR)
Connector Type	EO3FGY-RS



Terminal No.	Color of Wire	Signal Name [Specification]
--------------	---------------	-----------------------------

Connector No.	F82
Connector Name	IGNITION COIL No. 8 (WITH POWER TRANSISTOR)
Connector Type	EO3FGY-RS



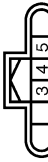
Terminal No.	Color of Wire	Signal Name [Specification]
1	L	-
2	B	-
3	W	-

Connector No.	F83
Connector Name	IGNITION COIL No. 9 (WITH POWER TRANSISTOR)
Connector Type	EO3FGY-RS



Terminal No.	Color of Wire	Signal Name [Specification]
1	Y	-
2	B	-
3	W	-

Connector No.	F85
Connector Name	MASS AIR FLOW SENSOR (BANK 2)
Connector Type	RH06FB



Terminal No.	Color of Wire	Signal Name [Specification]
--------------	---------------	-----------------------------

Connector No.	F86
Connector Name	MASS AIR FLOW SENSOR (BANK 1)
Connector Type	RH06FB



Terminal No.	Color of Wire	Signal Name [Specification]
1	R	-
2	Y	-
3	L	-
4	B	-
5	W	-

Connector No.	F88
Connector Name	MASS AIR FLOW SENSOR (BANK 1)
Connector Type	RH06FB



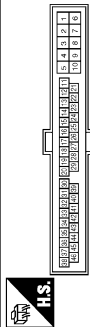
POWER SUPPLY ROUTING CIRCUIT

< DTC/CIRCUIT DIAGNOSIS >

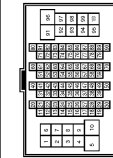
[POWER SUPPLY & GROUND CIRCUIT]

BATTERY POWER SUPPLY FUSE No. 50

Connector No.	F103
Connector Name	WIRE TO WIRE
Connector Type	TK38FW-AS10



Connector No.	MB
Connector Name	WIRE TO WIRE
Connector Type	THE0MW-CS1E-TM



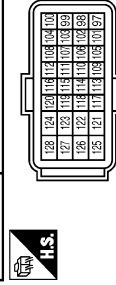
Terminal No.	Color of Wire	Signal Name [Specification]
1	SHIELD	-
2	G	-
3	W	-
4	GR	- [With VK engine]
4	R	- [With VO engine]
5	R	- [With VK engine]
5	B	- [With VO engine]
6	SHIELD	-
7	B	-
8	W	-
9	Y	- [With VK engine]
9	Y	- [With VO engine]
10	L	- [With VK engine]
10	L	- [With VO engine]
11	B	-
12	G	-
13	R	-
14	W	-
15	SHIELD	-
16	BR	-
17	L	-
18	P	-
19	G	-
20	W	- [With ICC]
20	GR	- [Without ICC]
21	BR	- [With ICC]
21	R	- [Without ICC]
22	R	- [With ICC]
22	L	- [Without ICC]
23	G	-
24	P	- [With ICC]
24	P	- [Without ICC]
25	Y	-
25	W	- [With ICC]
26	SHIELD	-
28	GR	-
29	V	-
30	O	-
31	BR	-
32	W	-
33	Y	-
34	L	-
43	P	-
44	L	-
45	Y	-
46	V	-

Terminal No.	Color of Wire	Signal Name [Specification]
1	G	-
2	O	-
3	SB	-
4	LG	-
5	GR	-
6	W	-
7	G	-
8	W	-
9	P	-
10	BR	-
11	B	-
12	G	-
13	R	-
14	W	-
15	SHIELD	-
16	BR	-
17	L	-
18	P	-
19	G	-
20	W	- [With ICC]
20	GR	- [Without ICC]
21	BR	- [With ICC]
21	R	- [Without ICC]
22	R	- [With ICC]
22	L	- [Without ICC]
23	G	-
24	P	- [With ICC]
24	P	- [Without ICC]
25	Y	-
25	W	- [With ICC]
26	SHIELD	-
28	GR	-
29	V	-
30	O	-
31	BR	-
32	W	-
33	Y	-
34	L	-

Terminal No.	Color of Wire	Signal Name [Specification]
35	L	-
36	P	-
37	G	-
38	R	-
39	G	-
41	L	-
42	W	-
43	R	-
44	LG	-
45	GR	-
46	W	-
47	L	-
48	P	-
49	O	-
50	LG	-
51	SB	-
52	Y	-
53	O	-
54	BR	-
55	SB	-
56	P	-
59	SB	-
60	SB	-
61	V	-
62	P	-
63	R	-
64	L	-
65	O	-
66	L	-
69	V	-
70	SHIELD	-
71	O	-
72	GR	-
73	W	-
74	SB	-
76	V	-
77	Y	-
78	Y	-
80	O	-
81	L	-
82	W	-
83	Y	-
84	L	-
85	P	-
86	BR	-
87	P	-
88	V	-
89	G	-
90	P	-
91	R	-
92	R	-
93	GR	-

94	L	-
95	G	-
96	W	-
100	Y	-

Connector No.	M107
Connector Name	ECM
Connector Type	FR12FCY-R26-R-LH-Z



Terminal No.	Color of Wire	Signal Name [Specification]
97	R	APSI
98	Y	APSZ [With ICC]
98	P	APSZ [Without ICC]
99	G	AVCC-APSI [With ICC]
99	L	AVCC-APSI [Without ICC]
100	W	GND-A(APSI)
101	SB	ASCDSW
102	LG	FIPRS
103	L	AVCC-APSZ [With ICC]
103	G	AVCC-APSZ [Without ICC]
104	BR	GND-A(APSZ) [With ICC]
104	GR	GND-A(APSZ) [Without ICC]
105	L	PDPRESS
106	W	TF
107	BR	AVCC-FIPRS
108	V	GND-ASCOD
109	G	NEUT-H
110	R	TACHO
111	O	AVCC-PDPRESS
112	V	GND-A
113	P	VEHCAN-LI
114	L	VEHCAN-HI
116	W	GND-ADPDRS
117	GR	KLINE
121	LG	ODCV
122	P	BRAKE
123	B	GND
124	B	GND
125	GR	VGR
126	BR	BNG-SW
127	B	GND
128	B	GND

A
B
C
D
E
F
G
H
I
J
K
L
PG
N
O
P

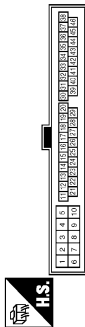
POWER SUPPLY ROUTING CIRCUIT

< DTC/CIRCUIT DIAGNOSIS >

[POWER SUPPLY & GROUND CIRCUIT]

BATTERY POWER SUPPLY FUSE No. 50

Connector No.	M116
Connector Name	WIRE TO WIRE
Connector Type	TK38MW-NS10



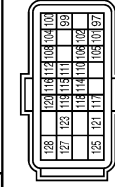
Connector No.	M117
Connector Name	WIRE TO WIRE
Connector Type	TH80MW-CS16-TM4



Terminal No.	Color of Wire	Signal Name [Specification]
42	V	- [With ICC]
42	W	- [Without ICC]
43	P	- [With ICC]
43	B	- [Without ICC]
44	R	- [With ICC]
45	L	- [Without ICC]
45	G	- [With ICC]
46	O	- [Without ICC]
46	SHIELD	- [With ICC]
47	L	- [Without ICC]
47	B	- [With ICC]
48	P	- [Without ICC]
48	R	- [With ICC]
49	G	- [Without ICC]
49	W	- [With ICC]
50	SHIELD	- [Without ICC]
51	O	-
52	GR	-
53	G	-
54	L	-
55	P	-
60	LG	-
61	R	-
62	SB	-
63	V	-
64	Y	-
65	BR	-
66	O	-
67	W	-
68	SHIELD	-
69	G	-
71	SB	-
72	V	-
73	Y	-
74	LG	-
75	R	- [With VK engine]
75	BR	- [With VQ engine]
76	V	-
77	LG	-
80	R	-
81	L	-
82	Y	-
83	O	-
84	W	-
85	SB	-
86	B	-
87	P	-
91	W	-
92	L	-
93	G	-
94	W	- [With VK engine]
94	O	- [With VQ engine]

95	V
96	G
97	L
98	L
99	LG
100	Y

Connector No.	M160
Connector Name	ECM
Connector Type	FR124FY-R28-R-LH-Z



Terminal No.	Color of Wire	Signal Name [Specification]
97	R	TACHO
99	L	AVGC2-APSZ [With ICC]
99	G	AVGC2-APSZ [Without ICC]
100	G	AVCC-APSI [With ICC]
100	L	AVCC-APSI [Without ICC]
101	P	VEHCAN-L
102	SB	ASDSW
104	R	AFSI
105	L	VEHCAN-H
106	L	IGNSW
108	Y	APSZ [With ICC]
108	P	APSZ [Without ICC]
110	P	BRAKE
111	V	GND-ASCDSW
112	LG	FPCMCK
114	GR	K-LINE
115	BR	GND-APSZ [With ICC]
115	GR	GND-APSZ [Without ICC]
116	G	NEUT-H
117	BR	BNGSW
118	R	BATT
119	W	GND-APSI
120	W	TF
121	GR	VBR
123	B	GND
125	R	FPCM
127	LG	GDCV
128	B	GND

Terminal No.	Color of Wire	Signal Name [Specification]
1	GR	-
2	BR	-
3	V	-
4	SB	-
6	Y	-
7	B	-
8	W	-
10	W	-
11	BR	-
12	GR	-
13	SHIELD	-
14	L	-
15	P	-
16	SHIELD	-
17	Y	-
18	O	-
19	LG	-
20	SB	-
21	LG	-
22	B	- [With entertainment system]
22	GR	- [Without entertainment system]
23	W	- [With entertainment system]
23	V	- [Without entertainment system]
24	R	- [With entertainment system]
24	W	- [Without entertainment system]
25	SHIELD	- [With entertainment system]
25	R	- [Without entertainment system]
26	SB	-
27	V	-
28	SHIELD	-
29	O	-
30	P	-
31	W	-
32	W	-
33	SB	-
40	V	-
41	SB	- [With ICC]
41	Y	- [Without ICC]

Terminal No.	Color of Wire	Signal Name [Specification]
1	B	-
2	W	-
3	L	-
4	B	- [With VK engine]
4	R	- [With VQ engine]
5	R	- [With VK engine]
5	B	- [With VQ engine]
6	B	-
7	B	-
9	L	- [With VK engine]
9	R	- [With VQ engine]
10	R	-
17	LG	-
18	R	-
18	O	-
20	Y	-
26	V	-
27	L	-
28	B	-
29	LG	-
31	W	-
34	LG	-
35	BR	-
36	W	-
37	Y	-
38	O	-
43	P	-
44	L	-
45	G	-
46	Y	-

JCMWA5065GB

POWER SUPPLY ROUTING CIRCUIT

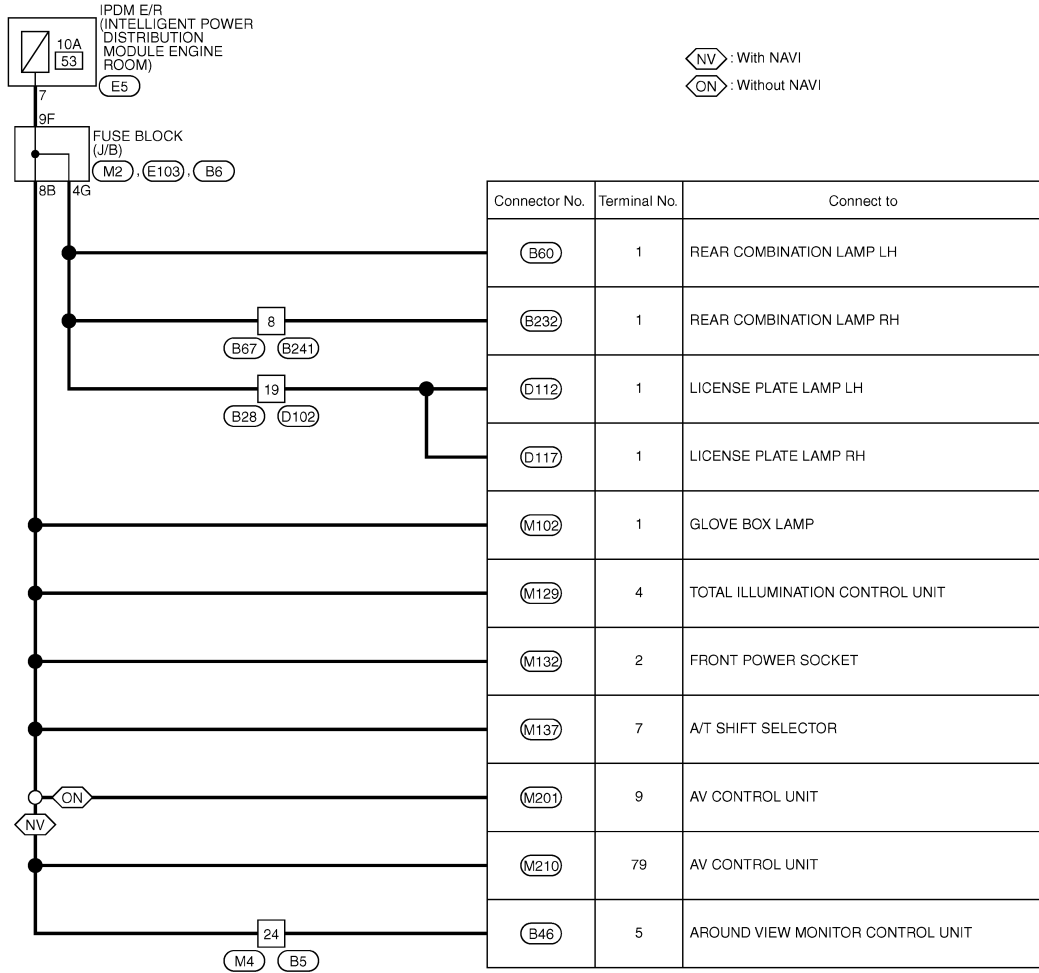
< DTC/CIRCUIT DIAGNOSIS >

[POWER SUPPLY & GROUND CIRCUIT]

Wiring Diagram - BATTERY POWER SUPPLY FUSE No. 53 -

INFOID:000000005550377

BATTERY POWER SUPPLY FUSE No. 53



A
B
C
D
E
F
G
H
I
J
K
L

PG

N
O
P

2009/07/29

JCMWA5066GB

POWER SUPPLY ROUTING CIRCUIT

[POWER SUPPLY & GROUND CIRCUIT]

< DTC/CIRCUIT DIAGNOSIS >

BATTERY POWER SUPPLY FUSE No. 53

Connector No.	B55
Connector Name	WIRE TO WIRE
Connector Type	TH40MW-NH



1	2	3	4	5	6	7	8	9	10	11	12	13	14	15	16	17	18	19	20	21	22	23	24	25	26	27	28	29	30	31	32	33	34	35	36	37	38	39	40
---	---	---	---	---	---	---	---	---	----	----	----	----	----	----	----	----	----	----	----	----	----	----	----	----	----	----	----	----	----	----	----	----	----	----	----	----	----	----	----

Terminal No.	Color of Wire	Signal Name [Specification]
5	B	-
6	W	-
7	R	-
8	SHIELD	-
9	LG	-
10	SB	-
11	LG	-
12	SB	-
21	Y	-
22	G	-
23	LG	-
24	R	-
25	L	-
26	R	-
27	W	-
28	W	-
29	BR	-
30	SHIELD	-
31	L	-
32	R	-
33	Y	-
34	W	-
35	BR	-
36	SHIELD	-
37	LG	-
38	G	-
39	V	-

Connector No.	B6
Connector Name	FUSE BLOCK (J/B)
Connector Type	NS12FBR-CS



5G	4G	3G	2G	1G	
12G	10G	9G	8G	7G	6G

Terminal No.	Color of Wire	Signal Name [Specification]
4G	R	-
5G	LG	-
7G	O	-
10G	W	-
11G	W	-
12G	GR	-

Connector No.	B28
Connector Name	WIRE TO WIRE
Connector Type	TH24MW-NH



1	2	3	4	5	6	7	8	9	10	11	12
13	14	15	16	17	18	19	20	21	22	23	24

Terminal No.	Color of Wire	Signal Name [Specification]
1	R	-
2	B	-
3	W	-
4	SHIELD	-
5	G	-
6	L	-
7	Y	-
8	BR	-
9	W	-
10	SHIELD	-
11	W	-
13	O	-
14	V	-
15	W	-
16	B	-
17	G	-

18	LG	-
19	R	-
20	O	-
21	BR	-
22	GR	-
23	L	-

Connector No.	B46
Connector Name	AROUND VIEW MONITOR CONTROL UNIT
Connector Type	TH40FW-NH



1	2	3	4	5	6	7	8	9	10	11	12	13	14	15	16	17	18	19	20	21	22	23	24	25	26	27	28	29	30	31	32	33	34	35	36	37	38	39	40
---	---	---	---	---	---	---	---	---	----	----	----	----	----	----	----	----	----	----	----	----	----	----	----	----	----	----	----	----	----	----	----	----	----	----	----	----	----	----	----

Terminal No.	Color of Wire	Signal Name [Specification]
1	B	GND
2	Y	BATTERY
3	G	IGNITION SIGNAL
4	LG	ACC
5	R	ILLUMINATION SIGNAL
6	V	VEHICLE SPEED SIGNAL (P-PULSE)
7	O	REVERSE SIGNAL
9	B	CONTROL SIGNAL
13	B	CONTROL SIGNAL
17	SB	AV COMM (H)
18	LG	AV COMM (L)
21	SB	AV COMM (H)
22	LG	AV COMM (L)
23	LG	AUXILIARY INFARED LED (+)
24	G	AUXILIARY INFARED LED (-)
27	W	CAMERA IMAGE SIGNAL
28	SHIELD	SHIELD
29	R	SIDE CAMERA RH IMAGE SIGNAL
30	Y	SIDE CAMERA RH IMAGE GND
31	SHIELD	SHIELD
32	W	SIDE CAMERA RH GND
33	BR	SIDE CAMERA RH COMM
34	L	SIDE CAMERA RH POWER SUPPLY
35	W	REAR CAMERA COMM
36	G	REAR CAMERA POWER SUPPLY
37	SHIELD	SHIELD
38	L	REAR CAMERA GND
39	Y	REAR CAMERA IMAGE SIGNAL
40	BR	REAR CAMERA IMAGE GND

Connector No.	B60
Connector Name	REAR COMBINATION LAMP LH
Connector Type	TH40MW-NH



1	2	3	4
---	---	---	---

Terminal No.	Color of Wire	Signal Name [Specification]
1	R	-
2	LG	-
3	G	-
4	B	-

Connector No.	B67
Connector Name	WIRE TO WIRE
Connector Type	NS98MW-CS



1	2	3		
4	5	6	7	8

Terminal No.	Color of Wire	Signal Name [Specification]
1	G	-
4	R	-
5	GR	-
6	L	-
8	R	-

POWER SUPPLY ROUTING CIRCUIT

< DTC/CIRCUIT DIAGNOSIS >

[POWER SUPPLY & GROUND CIRCUIT]

BATTERY POWER SUPPLY FUSE No. 53

Connector No.	B232
Connector Name	REAR COMBINATION LAMP RH
Connector Type	TH24RW-NH



1	2	3	4
---	---	---	---

Terminal No.	Color of Wire	Signal Name [Specification]
1	P	-
2	LG	-
3	V	-
4	B	-

Connector No.	B241
Connector Name	WIRE TO WIRE
Connector Type	NS28PW-CS



3	2	1
8	7	6
5	4	

Terminal No.	Color of Wire	Signal Name [Specification]
1	G	-
4	R	-
5	W	-
6	L	-
8	P	-

Connector No.	D102
Connector Name	WIRE TO WIRE
Connector Type	TH24RW-NH



12	11	10	9	8	7	6	5	4	3	2	1
24	23	22	21	20	19	18	17	16	15	14	13

Terminal No.	Color of Wire	Signal Name [Specification]
1	G	-
2	L	-
3	Y	-
4	SHIELD	-
5	R	-
6	G	-
7	Y	-
8	L	-
9	W	-
10	SHIELD	-
11	W	-
12	W	-
13	W	-
14	SB	-
15	BR	-
16	R	-
17	V	-
18	LG	-
19	P	-
20	O	-
21	O	-
22	GR	-
23	L	-

Connector No.	D112
Connector Name	LICENSE PLATE LAMP LH
Connector Type	TK02FBR



2	1
---	---

Terminal No.	Color of Wire	Signal Name [Specification]

1	P
2	B

Connector No.	D117
Connector Name	LICENSE PLATE LAMP RH
Connector Type	TK02FBR



2	1
---	---

Terminal No.	Color of Wire	Signal Name [Specification]
1	P	-
2	B	-

Connector No.	E5
Connector Name	INTELLIGENT POWER DISTRIBUTION MODULE (ENGINE ROOM)
Connector Type	TH20FW-CS12-M4-1V



5	10	1	12	3	14
2	4	15	16	17	18
19	20	21	22	23	24
25	26	27	28	29	30

Terminal No.	Color of Wire	Signal Name [Specification]
4	V	-
5	L	-
7	R	-
10	SB	-
11	BR	-
12	B	-
13	Y	-
16	LG	-
19	W	-
25	G	-
26	R	-
27	Y	-
28	O	-
30	GR	-
32	SB	-
33	P	-

36	G
----	---

Connector No.	E103
Connector Name	FUSE BLOCK (J/B)
Connector Type	NS10PW-CS



7	6	5	4
15	14	13	12
11	10	9	8

Terminal No.	Color of Wire	Signal Name [Specification]
1	SB	-
2	W	-
3	Y	-
4	G	-
6	O	-
8	L	-
9	R	-
10	L	-

Connector No.	M2
Connector Name	FUSE BLOCK (J/B)
Connector Type	NS10PW-CS



4	8	8	2	1
10	9	8	7	6
5	4	3	2	1

Terminal No.	Color of Wire	Signal Name [Specification]
1	LG	-
3	P	-
4	G	-
5	O	-
6	Y	-
7	L	-
8	R	-
9	BR	-

A
B
C
D
E
F
G
H
I
J
K
L
N
O
P

POWER SUPPLY ROUTING CIRCUIT

< DTC/CIRCUIT DIAGNOSIS >

[POWER SUPPLY & GROUND CIRCUIT]

BATTERY POWER SUPPLY FUSE No. 53

Connector No.	M4
Connector Name	WIRE TO WIRE
Connector Type	TH40PW-NH



1	2	3	4	5	6	7	8	9	10	11	12	13	14	15	16	17	18	19	20	21	22	23	24	25	26	27	28	29	30	31	32	33	34	35	36	37	38	39	40	41	42	43	44	45	46	47	48	49	50	51	52	53	54	55	56	57	58	59	60	61	62	63	64	65	66	67	68	69	70	71	72	73	74	75	76	77	78	79	80	81	82	83	84	85	86	87	88	89	90	91	92	93	94	95	96	97	98	99	100
---	---	---	---	---	---	---	---	---	----	----	----	----	----	----	----	----	----	----	----	----	----	----	----	----	----	----	----	----	----	----	----	----	----	----	----	----	----	----	----	----	----	----	----	----	----	----	----	----	----	----	----	----	----	----	----	----	----	----	----	----	----	----	----	----	----	----	----	----	----	----	----	----	----	----	----	----	----	----	----	----	----	----	----	----	----	----	----	----	----	----	----	----	----	----	----	----	----	----	-----

Terminal No.	Color of Wire	Signal Name [Specification]
5	B	-
6	W	-
7	R	-
8	SHIELD	-
9	LG	-
10	SB	-
11	LG	-
12	SB	-
21	Y	-
22	R	-
23	V	-
24	R	-
25	R	-
26	Y	-
27	G	-
28	B	-
29	W	-
30	SHIELD	-
31	R	-
32	Y	-
33	G	-
34	B	-
35	W	-
36	SHIELD	-
37	LG	-
38	G	-
39	V	-

Connector No.	M102
Connector Name	GLOVE BOX LAMP
Connector Type	A02EW



1	2	3	4	5	6	7	8	9	10	11	12	13	14	15	16	17	18	19	20	21	22	23	24	25	26	27	28	29	30	31	32	33	34	35	36	37	38	39	40	41	42	43	44	45	46	47	48	49	50	51	52	53	54	55	56	57	58	59	60	61	62	63	64	65	66	67	68	69	70	71	72	73	74	75	76	77	78	79	80	81	82	83	84	85	86	87	88	89	90	91	92	93	94	95	96	97	98	99	100
---	---	---	---	---	---	---	---	---	----	----	----	----	----	----	----	----	----	----	----	----	----	----	----	----	----	----	----	----	----	----	----	----	----	----	----	----	----	----	----	----	----	----	----	----	----	----	----	----	----	----	----	----	----	----	----	----	----	----	----	----	----	----	----	----	----	----	----	----	----	----	----	----	----	----	----	----	----	----	----	----	----	----	----	----	----	----	----	----	----	----	----	----	----	----	----	----	----	----	-----

Terminal No.	Color of Wire	Signal Name [Specification]
1	R	-
2	B	-

Connector No.	M129
Connector Name	TOTAL ILLUMINATION CONTROL UNIT
Connector Type	TH40PW-NH



1	2	3	4	5	6	7	8	9	10	11	12	13	14	15	16	17	18	19	20	21	22	23	24	25	26	27	28	29	30	31	32	33	34	35	36	37	38	39	40	41	42	43	44	45	46	47	48	49	50	51	52	53	54	55	56	57	58	59	60	61	62	63	64	65	66	67	68	69	70	71	72	73	74	75	76	77	78	79	80	81	82	83	84	85	86	87	88	89	90	91	92	93	94	95	96	97	98	99	100
---	---	---	---	---	---	---	---	---	----	----	----	----	----	----	----	----	----	----	----	----	----	----	----	----	----	----	----	----	----	----	----	----	----	----	----	----	----	----	----	----	----	----	----	----	----	----	----	----	----	----	----	----	----	----	----	----	----	----	----	----	----	----	----	----	----	----	----	----	----	----	----	----	----	----	----	----	----	----	----	----	----	----	----	----	----	----	----	----	----	----	----	----	----	----	----	----	----	----	-----

Terminal No.	Color of Wire	Signal Name [Specification]
3	V	DDL2
4	L	TAIL LAMP SIGNAL
5	V	ACC SIGNAL
6	P	BAT SAVER SIGNAL
7	W	IGN SIGNAL
8	G	DOOR SW (AS)
9	O	DOOR SW (RL)
10	SB	MOOD LAMP (FR ARMREST RH)
11	Y	MOOD LAMP (RR ARMREST RH)
12	P	MAP LAMP (AS)
13	G	PERSONAL LAMP (RH)
14	R	PERSONAL LAMP (RH)
16	GR	FOOT LAMP (RH)
17	LG	HSPL ILLUMINATIONS
18	L	MAP LAMP (DR)
19	R	PUSH ENG START SW LED
20	Y	AMBIENCE LAMP
21	B	BAT POWERS SUPPLY
22	B	GND
23	O	GND
24	O	ILL CONT INPUT

25	BR	DOOR SW (RR)
26	BR	MAP LAMP SW (DOOR)
27	R	MAP LAMP SW (ALL ON)
28	SR	ROOM LAMP TIMER
29	GR	DOOR SW (DS)
30	LG	MOOD LAMP (FR ARMREST LH)
31	O	MOOD LAMP (RR ARMREST LH)
33	W	HSPL POWER SUPPLY 3
34	R	HSPL POWER SUPPLY 2
35	V	HSPL POWER SUPPLY 1
36	L	FOOT LAMP (LH)
39	B	PUDDLE LAMP (RH)
40	O	PUDDLE LAMP (LH)

Connector No.	M132
Connector Name	FRONT POWER SOCKET
Connector Type	NS30FW-CS



1	2	3	4	5	6	7	8	9	10	11	12	13	14	15	16	17	18	19	20
---	---	---	---	---	---	---	---	---	----	----	----	----	----	----	----	----	----	----	----

Terminal No.	Color of Wire	Signal Name [Specification]
1	B	-
2	R	-
3	L	-

Connector No.	M137
Connector Name	A/T SHIFT SELECTOR
Connector Type	TH12FW-NH



1	2	3	4	5	6	7	8	9	10	11	12	13	14	15	16	17	18	19	20
---	---	---	---	---	---	---	---	---	----	----	----	----	----	----	----	----	----	----	----

Terminal No.	Color of Wire	Signal Name [Specification]
1	W	-
2	V	-
3	L	-
4	B	-

5	G	-
7	O	-
8	SB	-
9	LS	-
10	GR	-
11	R	-

Connector No.	M201
Connector Name	AV CONTROL UNIT
Connector Type	TH18FW-CS2



1	2	3	4	5	6	7	8	9	10	11	12	13	14	15	16	17	18	19	20
---	---	---	---	---	---	---	---	---	----	----	----	----	----	----	----	----	----	----	----

Terminal No.	Color of Wire	Signal Name [Specification]
6	P	STRG SW A
7	V	ACC
9	R	ILLUMINATION SIGNAL
15	B	STRG SW GND
16	L	STRG SW B
19	Y	BATTERY
20	B	GND

POWER SUPPLY ROUTING CIRCUIT

< DTC/CIRCUIT DIAGNOSIS >

[POWER SUPPLY & GROUND CIRCUIT]

A
B
C
D
E
F
G
H
I
J
K
L
N
O
P

BATTERY POWER SUPPLY FUSE No. 53

Connector No.	M210
Connector Name	AV CONTROL UNIT
Connector Type	TH2PW-1H



61	62	63	64	65	66	67	68	69	70	71	72	73	74	75	76
77	78	79	80	81	82	83	84	85	86	87	88	89	90	91	92

Terminal No.	Color of Wire	Signal Name (Specification)
64	GR	DRIVER DOOR SW SIGNAL
65	V	PARKING BRAKE SIGNAL
67	B	COMPOSITE IMAGE SIGNAL GND
68	R	COMPOSITE IMAGE SIGNAL
71	SHIELD	MICROPHONE SHIELD
72	G	MICROPHONE VCC
73	R	COMM (CONT->DISP)
74	P	CAN-L
75	LG	AV COMM (L)
76	LG	AV COMM (L)
78	R	ILLUMINATION
80	G	IGNITION SIGNAL
81	O	REVERSE SIGNAL
82	R	VEHICLE SPEED SIGNAL (3-PULSE)
83	SHIELD	SHIELD
84	W	COMPOSITE IMAGE SYNC SIGNAL
87	R	MICROPHONE SIGNAL
88	SHIELD	SHIELD
89	G	COMM (DISP->CONT)
90	L	CAN-H
91	SB	AV COMM (H)
92	SB	AV COMM (H)

JCMWA5070GB

PG

POWER SUPPLY ROUTING CIRCUIT

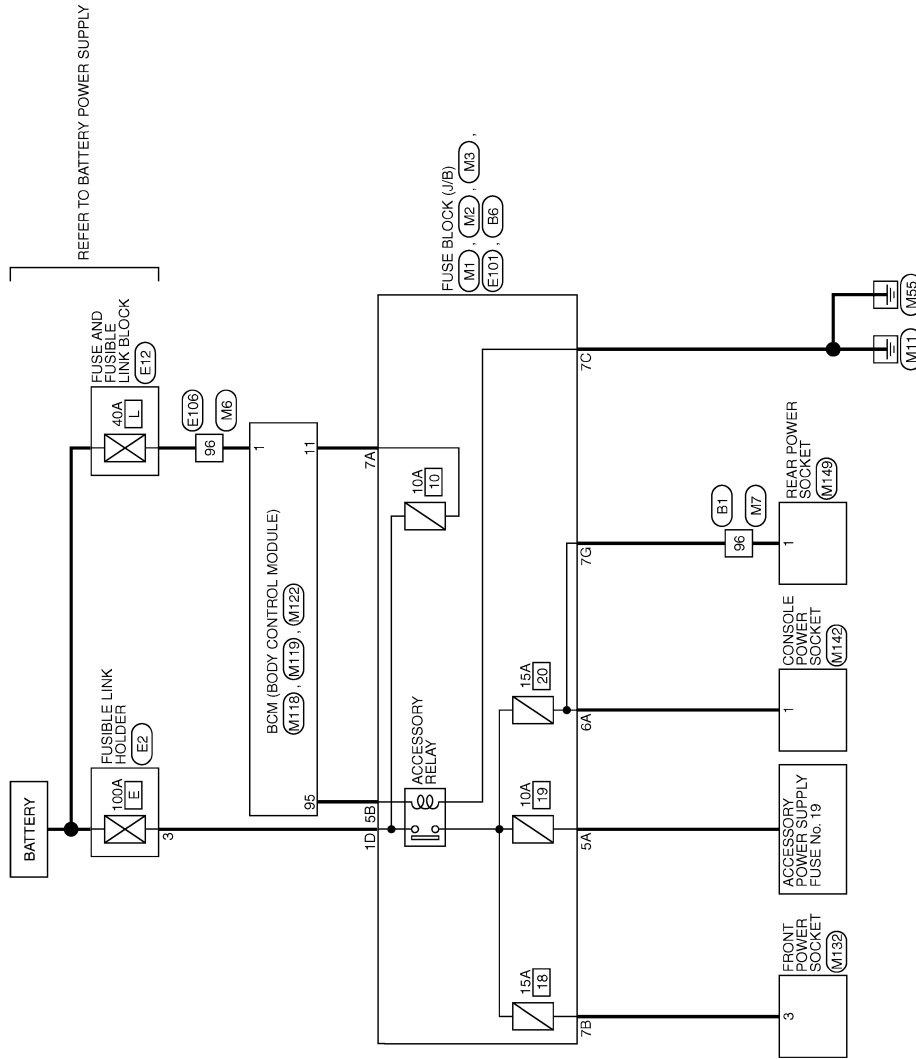
< DTC/CIRCUIT DIAGNOSIS >

[POWER SUPPLY & GROUND CIRCUIT]

Wiring Diagram - ACCESSORY POWER SUPPLY -

INFOID:000000005550378

ACCESSORY POWER SUPPLY



2008/03/04

JCMWM2074GB

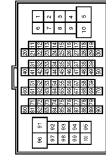
POWER SUPPLY ROUTING CIRCUIT

< DTC/CIRCUIT DIAGNOSIS >

[POWER SUPPLY & GROUND CIRCUIT]

ACCESSORY POWER SUPPLY

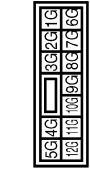
Connector No.	B1
Connector Name	WIRE TO WIRE
Connector Type	THBDFW-CS16-TM4



Terminal No.	Color of Wire	Signal Name [Specification]
1	G	-
2	L	-
3	W	-
5	G	-
6	G	-
7	P	-
8	O	-
9	W	-
10	SB	-
11	SB	-
12	B	-
13	G	-
14	R	-
15	W	-
16	SHIELD	-
17	L	-
18	P	-
19	G	-
20	Y	-
21	W	-
23	V	-
24	P	-
25	BR	-
26	GR	-
27	O	-
28	W	-
29	SHIELD	-
38	B	-
39	B	-
40	LG	-
41	G	-
42	GR	-
43	SB	-
44	V	-
45	GR	-
50	B	-
51	V	-
52	SB	-

Terminal No.	Color of Wire	Signal Name [Specification]
53	SHIELD	-
54	BR	-
55	Y	-
56	SHIELD	-
57	P	-
58	L	-
59	SHIELD	-
60	L	-
61	P	-
62	GR	-
63	G	-
64	O	-
65	W	-
66	V	-
67	LG	-
68	Y	-
69	G	-
70	GR	-
71	G	-
72	B	-
73	W	-
74	V	-
75	O	-
76	LG	-
77	L	-
78	GR	-
79	W	-
80	L	-
81	P	-
82	L	-
83	P	-
84	SB	-
85	R	-
86	Y	-
87	B	-
88	G	-
89	BR	-
90	W	-
91	R	-
92	O	-
93	BR	-
94	V	-
95	Y	-
96	O	-
97	W	-
98	GR	-
99	W	-

Connector No.	B6
Connector Name	FUSE BLOCK (J/B)
Connector Type	NS12FBR-CS



Terminal No.	Color of Wire	Signal Name [Specification]
4G	R	-
5G	LG	-
7G	O	-
10G	W	-
11G	W	-
12G	GR	-

Connector No.	E2
Connector Name	FUSIBLE LINK HOLDER
Connector Type	LD2FGY-MC



Terminal No.	Color of Wire	Signal Name [Specification]
3	L	-
4	R	-

Connector No.	E101
Connector Name	FUSE BLOCK (J/B)
Connector Type	LD1FW-MC



Terminal No.	ID	Color of Wire	R	Signal Name [Specification]	-
--------------	----	---------------	---	-----------------------------	---

A
B
C
D
E
F
G
H
I
J
K
L
PG
N
O
P

POWER SUPPLY ROUTING CIRCUIT

[POWER SUPPLY & GROUND CIRCUIT]

< DTC/CIRCUIT DIAGNOSIS >

ACCESSORY POWER SUPPLY

Connector No.	E106
Connector Name	WIRE TO WIRE
Connector Type	TH8DFW-CS16-1M4



Terminal No.	Color of Wire	Signal Name [Specification]
1	G	-
2	O	-
3	SB	-
4	LG	-
5	Y	-
6	W	-
7	G	-
8	V	-
9	R	-
10	BR	-
11	B	-
12	G	-
13	R	-
14	W	-
15	SHIELD	-
16	SB	-
17	L	-
18	P	-
19	G	-
20	W	- [With ICC] - [Without ICC]
21	BR	- [With ICC] - [Without ICC]
22	R	- [With ICC] - [Without ICC]
23	G	- [With ICC] - [Without ICC]
24	L	- [With ICC] - [Without ICC]
25	Y	- [With ICC] - [Without ICC]
26	SHIELD	-
28	G	-
29	LG	-
30	O	-
31	BR	-
32	W	-
33	Y	-
34	O	-
35	SB	-

36	P	-
37	Y	-
38	GR	-
39	LG	-
41	LG	-
42	V	-
43	R	-
44	G	-
45	GR	-
46	W	-
47	L	-
48	P	-
49	SB	-
50	BR	-
51	B	-
52	Y	-
53	O	-
54	R	-
55	SB	-
56	P	-
59	G	-
60	SB	-
61	V	-
62	P	-
63	LG	-
64	L	-
65	O	-
66	L	-
68	L	-
70	SHIELD	-
71	G	-
72	G	-
73	R	-
74	BR	-
76	L	-
77	W	-
78	Y	-
80	SB	-
81	L	-
82	W	-
83	LG	-
84	GR	-
85	G	-
86	P	-
87	W	-
88	O	-
89	LG	-
90	BR	-
91	GR	-
92	BR	-
93	SB	-
94	W	-

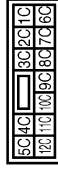
95	Y	-
96	W	-
100	Y	-

Connector No.	M1
Connector Name	FUSE BLOCK (J/B)
Connector Type	NS36FW-M2



Terminal No.	Color of Wire	Signal Name [Specification]
1A	O	-
2A	G	-
3A	L	-
4A	P	-
5A	V	-
6A	Y	-
7A	R	-
8A	L	-

Connector No.	M3
Connector Name	FUSE BLOCK (J/B)
Connector Type	NS12FW-CS



Terminal No.	Color of Wire	Signal Name [Specification]
6C	P	-
7C	B	-
9C	O	-
10C	L	-
11C	LG	-
12C	R	-

Connector No.	M2
Connector Name	FUSE BLOCK (J/B)
Connector Type	NS10FW-CS



Terminal No.	Color of Wire	Signal Name [Specification]
1B	LG	-
3B	P	-
4B	G	-
5B	O	-
6B	Y	-
7B	L	-
8B	R	-
9B	BR	-

JCMWA5072GB

POWER SUPPLY ROUTING CIRCUIT

< DTC/CIRCUIT DIAGNOSIS >

[POWER SUPPLY & GROUND CIRCUIT]

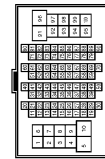
A
B
C
D
E
F
G
H
I
J
K
L
PG
N
O
P

94	L	-
95	G	-
96	W	-
100	Y	-

35	L	-
36	P	-
37	G	-
38	R	-
39	G	-
41	L	-
42	W	-
43	R	-
44	LG	-
45	GR	-
46	W	-
47	L	-
48	P	-
49	O	-
50	LG	-
51	SB	-
52	Y	-
53	O	-
54	BR	-
55	SB	-
56	P	-
59	SB	-
60	SB	-
61	V	-
62	P	-
63	R	-
64	L	-
65	O	-
66	L	-
69	V	-
70	SHIELD	-
71	O	-
72	GR	-
73	W	-
74	SB	-
76	V	-
77	V	-
78	Y	-
80	O	-
81	L	-
82	W	-
83	Y	-
84	L	-
85	P	-
86	BR	-
87	P	-
88	V	-
89	G	-
90	P	-
91	R	-
92	R	-
93	GR	-

ACCESSORY POWER SUPPLY

Connector No.	M6
Connector Name	WIRE TO WIRE
Connector Type	TH8DMW-CST16-TM4



Terminal No.	Color of Wire	Signal Name (Specification)
1	G	-
2	O	-
3	SB	-
4	LG	-
5	GR	-
6	W	-
7	G	-
8	W	-
9	P	-
10	BR	-
11	B	-
12	G	-
13	R	-
14	W	-
15	SHIELD	-
16	BR	-
17	L	-
18	P	-
19	G	-
20	W	- [With ICC] - [Without ICC]
21	BR	- [With ICC] - [Without ICC]
22	R	- [With ICC] - [Without ICC]
23	G	- [With ICC] - [Without ICC]
24	P	- [With ICC] - [Without ICC]
25	Y	- [With ICC] - [Without ICC]
26	SHIELD	-
28	GR	-
29	V	-
30	O	-
31	BR	-
32	W	-
33	Y	-
34	L	-

JCMWA5073GB

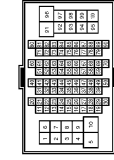
POWER SUPPLY ROUTING CIRCUIT

[POWER SUPPLY & GROUND CIRCUIT]

< DTC/CIRCUIT DIAGNOSIS >

ACCESSORY POWER SUPPLY

Connector No.	M7
Connector Name	WIRE TO WIRE
Connector Type	TH80MW-CS16-1M4



Terminal No.	Color of Wire	Signal Name [Specification]
1	G	
2	B	
3	W	
5	G	
6	P	
7	V	
8	O	
9	W	
10	W	
11	O	
12	B	
13	G	
14	R	
15	W	
16	SHIELD	
17	L	
18	P	
19	G	
20	R	
21	LG	
23	V	
24	P	
25	BR	
26	GR	
27	O	
28	W	
29	SHIELD	
39	B	
40	LG	
41	G	
42	Y	
43	SB	
44	W	
45	B	
50	B	
51	V	
52	LG	

53	SHIELD	-
54	BR	-
55	Y	-
56	SHIELD	-
57	P	-
58	L	-
59	SHIELD	-
60	L	-
61	BR	-
62	R	-
63	Y	-
64	L	-
65	W	-
66	V	-
67	LG	-
68	Y	-
69	G	-
70	V	-
71	W	-
72	B	-
73	W	-
74	LG	-
75	P	-
76	LG	-
77	SB	-
78	GR	-
79	R	-
80	L	-
81	P	-
82	L	-
83	P	-
84	SB	-
85	W	-
86	Y	-
87	B	-
88	G	-
89	O	-
90	W	-
91	R	-
92	O	-
93	BR	-
94	V	-
95	Y	-
96	O	-
97	W	-
98	R	-
99	G	-
99	O	-

- [With VK engine]
- [With VG engine]

Connector No.	M118
Connector Name	BCM (BODY CONTROL MODULE)
Connector Type	M108FB-LC



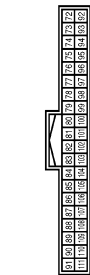
Terminal No.	Color of Wire	Signal Name [Specification]
1	W	BAT (F/L)
2	Y	POWER WINDOW POWER SUPPLY (BAT)
3	O	POWER WINDOW POWER SUPPLY (RAP)

Connector No.	M119
Connector Name	BCM (BODY CONTROL MODULE)
Connector Type	NS16FW-CS



Terminal No.	Color of Wire	Signal Name [Specification]
4	P	INT ROOM LAMP PWR SUPPLY (BAT SAVE)
5	V	PASSENGER DOOR UNLOCK OUTPUT
7	Y	STEP LAMP OUTPUT
8	V	ALL DOOR FUEL LID LOCK OUTPUT
9	G	DRIVER DOOR FUEL LID UNLOCK OUTPUT
10	BR	REAR DOOR UNLOCK OUTPUT
11	R	BAT (FUSE)
13	B	ACC IND
15	Y	TURN SIGNAL RH (FRONT)
17	W	TURN SIGNAL LH (FRONT)
18	O	ROOM LAMP TIMER
19	SB	

Connector No.	M122
Connector Name	BCM (BODY CONTROL MODULE)
Connector Type	TH40FB-NH



Terminal No.	Color of Wire	Signal Name [Specification]
72	R	ROOM ANT2-
73	G	ROOM ANT2+
74	SB	PASSENGER DOOR ANT-
75	BR	PASSENGER DOOR ANT+
76	V	DRIVER DOOR ANT-
77	LG	DRIVER DOOR ANT+
78	Y	ROOM ANTI-
79	BR	ROOM ANTI+
80	GR	MATS ANT AMP
81	W	IGN RELAY (F/B) CONT
82	P	KEYLESS ENTRY RECEIVER SIGNAL
83	GR	KEYLESS ENTRY RECEIVER SIGNAL
87	BR	COMBI SW INPUT 5
88	V	COMBI SW INPUT 3
89	SB	PUSH SW
90	P	CAN-L
91	L	CAN-H
92	LG	KEY SLOT ILL
93	V	ON IND
95	O	ACC RELAY CONT
96	GR	A/T SHIFT SELECTOR POWER SUPPLY
97	L	S/L CONDITION 1
98	P	S/L CONDITION 2
99	R	SHIFT P
100	G	PASSENGER DOOR REQUEST SW
101	SB	DRIVER DOOR REQUEST SW
102	O	BLOWER FAN MOTOR RELAY CONT
103	BR	KEYLESS ENTRY RECEIVER POWER SUPPLY
105	W	S/L UNIT POWER SUPPLY
107	LG	COMBI SW INPUT 1
108	R	COMBI SW INPUT 4
109	Y	COMBI SW INPUT 2
110	G	HAZARD SW
111	GR	S/L UNIT COMM

POWER SUPPLY ROUTING CIRCUIT

< DTC/CIRCUIT DIAGNOSIS >

[POWER SUPPLY & GROUND CIRCUIT]

A
B
C
D
E
F
G
H
I
J
K
L
PG
N
O
P

2	B	-
---	---	---

ACCESSORY POWER SUPPLY

Connector No.	M132
Connector Name	FRONT POWER SOCKET
Connector Type	RS02FW-GS



Terminal No.	Color of Wire	Signal Name [Specification]
1	B	-
2	R	-
3	L	-

Connector No.	M142
Connector Name	CONSOLE POWER SOCKET
Connector Type	P02FB-Z



Terminal No.	Color of Wire	Signal Name [Specification]
1	Y	-
2	B	-

Connector No.	M149
Connector Name	REAR POWER SOCKET
Connector Type	P02FB-Z



Terminal No.	Color of Wire	Signal Name [Specification]
1	O	-

JCMWA5075GB

POWER SUPPLY ROUTING CIRCUIT

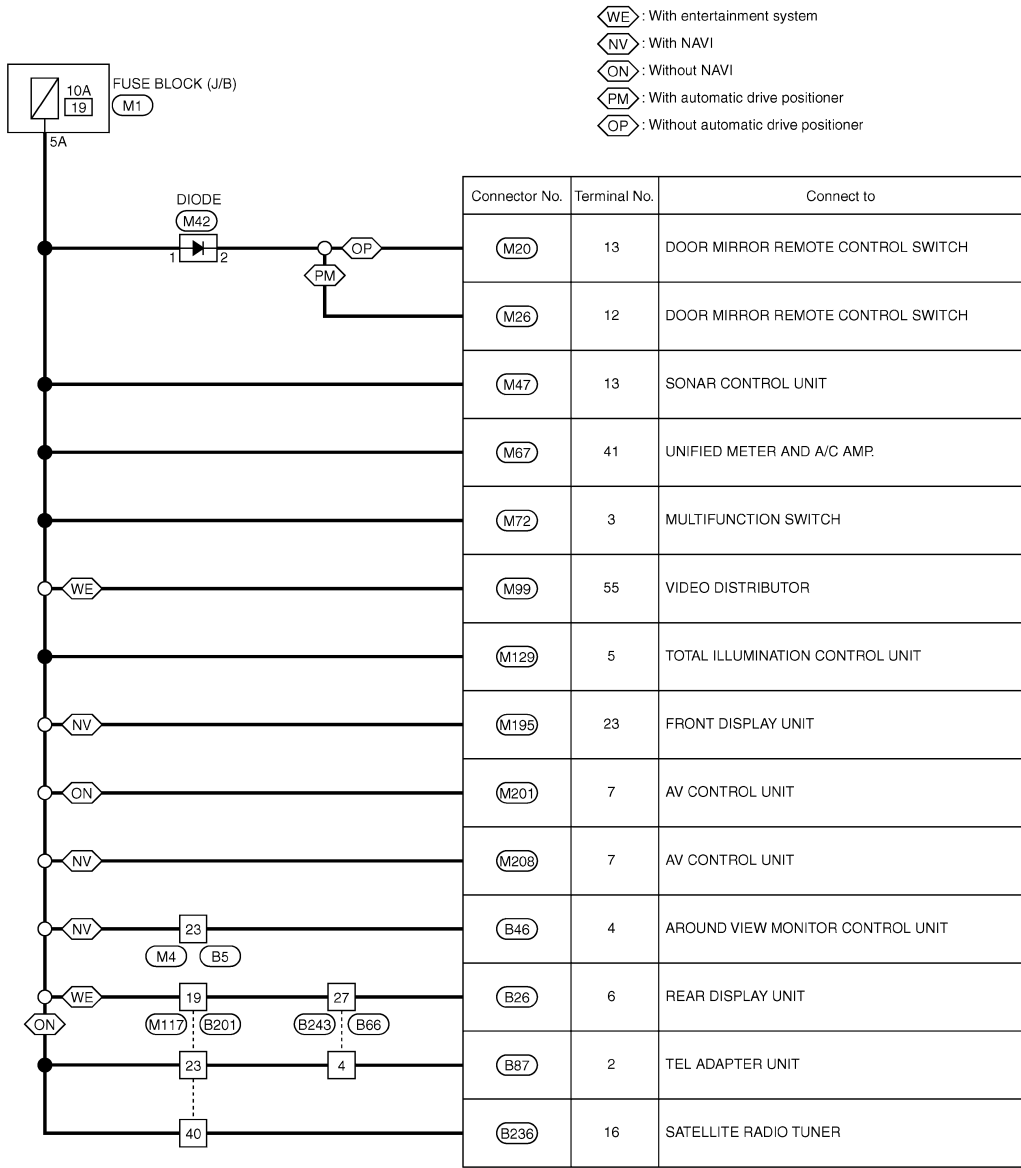
< DTC/CIRCUIT DIAGNOSIS >

[POWER SUPPLY & GROUND CIRCUIT]

Wiring Diagram - ACCESSORY POWER SUPPLY FUSE No. 19 -

INFOID:000000005550379

ACCESSORY POWER SUPPLY FUSE No. 19



2009/07/29

JCMWA5076GB

POWER SUPPLY ROUTING CIRCUIT

< DTC/CIRCUIT DIAGNOSIS >

[POWER SUPPLY & GROUND CIRCUIT]

ACCESSORY POWER SUPPLY FUSE No. 19

Connector No.	B5
Connector Name	WIRE TO WIRE
Connector Type	TH40MW-NH



2	4	6	8	10	12	14	16	18	20	22	24	26	28	30	32	34	36	38	40
---	---	---	---	----	----	----	----	----	----	----	----	----	----	----	----	----	----	----	----

Connector No.	B26
Connector Name	REAR DISPLAY UNIT
Connector Type	TH22FW-NH



2	4	6	8	10	12	14	16	18	20	22	24	26	28
1	3	5	7	9	11	13	15	17	19	21	23	25	27

Connector No.	B46
Connector Name	AROUND VIEW MONITOR CONTROL UNIT
Connector Type	TH40FW-NH



2	4	6	8	10	12	14	16	18	20	22	24	26	28	30	32	34	36	38	40
1	3	5	7	9	11	13	15	17	19	21	23	25	27	29	31	33	35	37	39

Terminal No.	Color of Wire	Signal Name [Specification]
5	B	-
6	W	-
7	R	-
8	SHIELD	-
9	LG	-
10	SB	-
11	LG	-
12	SB	-
21	Y	-
22	G	-
23	G	-
24	R	-
25	L	-
26	R	-
27	Y	-
28	W	-
29	BR	-
30	SHIELD	-
31	L	-
32	R	-
33	Y	-
34	W	-
35	BR	-
36	SHIELD	-
37	LG	-
38	G	-
39	V	-

Terminal No.	Color of Wire	Signal Name [Specification]
1	B	GND
2	B	GND
3	Y	BATTERY
4	LG	BATTERY
5	P	HEADPHONE ON SIGNAL
6	O	ACC
8	SHIELD	SHIELD
9	V	COMM (DISP-2DISP)
10	SB	COMM (DISP-1DISP)
11	O	IGNITION
12	SHIELD	SHIELD
13	G	COMPOSITE SYNCHRONIZING SIGNAL
14	R	COMPOSITE IMAGE SIGNAL
15	BR	RGB AREA (VS) SIGNAL
16	SHIELD	SHIELD
17	Y	VP
18	O	HP
19	SHIELD	SHIELD
20	B	RGB (B: BLUE) SIGNAL
21	R	RGB (G: GREEN) SIGNAL
22	W	RGB (R: RED) SIGNAL
23	BR	SHIELD
24	BR	SHIELD
25	Y	HEADPHONE SOUND SIGNAL SIGNAL RH (-)
26	P	HEADPHONE SOUND SIGNAL SIGNAL LH (-)
27	BR	HEADPHONE SOUND SIGNAL SIGNAL RH (+)
28	L	HEADPHONE SOUND SIGNAL SIGNAL LH (+)

Terminal No.	Color of Wire	Signal Name [Specification]
1	B	GND
2	Y	BATTERY
3	G	IGNITION SIGNAL
4	LG	ACC
5	R	ILLUMINATION SIGNAL
6	V	VEHICLE SPEED SIGNAL (8-PULSE)
7	O	REVERSE SIGNAL
9	B	CONTROL SIGNAL
13	B	CONTROL SIGNAL
17	SB	AV COMM (H)
18	LG	AV COMM (L)
21	SB	AV COMM (H)
22	LG	AV COMM (L)
23	LG	AUXILIARY INFARED LED (+)
24	G	AUXILIARY INFARED LED (-)
27	W	CAMERA IMAGE SIGNAL
28	SHIELD	SHIELD
29	R	SIDE CAMERA RH IMAGE SIGNAL
30	Y	SIDE CAMERA RH IMAGE GND
31	SHIELD	SHIELD
32	W	SIDE CAMERA RH GND
33	BR	SIDE CAMERA RH COMM
34	L	SIDE CAMERA RH POWER SUPPLY
35	W	REAR CAMERA COMM
36	G	REAR CAMERA POWER SUPPLY
37	SHIELD	SHIELD
38	L	REAR CAMERA GND
39	Y	REAR CAMERA IMAGE SIGNAL
40	BR	REAR CAMERA IMAGE GND

A
B
C
D
E
F
G
H
I
J
K
L
N
O
P

PG

POWER SUPPLY ROUTING CIRCUIT

< DTC/CIRCUIT DIAGNOSIS >

[POWER SUPPLY & GROUND CIRCUIT]

ACCESSORY POWER SUPPLY FUSE No. 19

Connector No.	B36
Connector Name	WIRE TO WIRE
Connector Type	TH040WV-NH



1	2	3	4	5	6	7	8	9	10	11	12	13	14	15	16	17	18	19	20
---	---	---	---	---	---	---	---	---	----	----	----	----	----	----	----	----	----	----	----

Terminal No.	Color of Wire	Signal Name [Specification]
1	B	-
2	B	-
3	Y	-
4	LG	-
5	GR	-
6	B	-
7	SHIELD	- [With entertainment system] - [Without entertainment system]
8	P	-
9	L	-
10	SHIELD	-
11	Y	-
12	BR	-
13	SHIELD	-
14	R	-
15	G	-
16	SHIELD	-
17	Y	-
18	O	-
19	BR	-
21	B	-
22	SHIELD	-
23	G	-
24	P	-
25	SHIELD	-
27	O	- [With entertainment system] - [Without entertainment system]
28	LG	- [With entertainment system] - [Without entertainment system]
29	Y	- [With entertainment system] - [Without entertainment system]
30	P	- [With entertainment system] - [Without entertainment system]
31	O	-
32	SHIELD	-
33	W	-
34	SB	-
35	SHIELD	-

37	B	-
38	R	-
39	W	-

Connector No.	BB7
Connector Name	TEL ADAPTER UNIT
Connector Type	THS2FW-NH



1	2	3	4	5	6	7	8	9	10	11	12	13	14	15	16	17	18	19	20	21	22	23	24	25	26	27	28	29
---	---	---	---	---	---	---	---	---	----	----	----	----	----	----	----	----	----	----	----	----	----	----	----	----	----	----	----	----

Terminal No.	Color of Wire	Signal Name [Specification]
1	GR	BATTERY
2	LG	ACC
3	W	IGNITION SIGNAL
4	B	GND
5	SHIELD	SHIELD
7	L	MICROPHONE SIGNAL
8	SHIELD	MICROPHONE GND
9	Y	TEL VOICE SIGNAL (+)
10	G	TEL VOICE SIGNAL (-)
20	B	CONTROL SIGNAL
23	B	CONTROL SIGNAL
24	B	CONTROL SIGNAL
28	V	VEHICLE SPEED SIGNAL (3-PULSE)
29	P	MICROPHONE VCC

Connector No.	B201
Connector Name	WIRE TO WIRE
Connector Type	TH80FW-CS16-TM4



1	2	3	4	5	6	7	8	9	10	11	12	13	14	15	16	17	18	19	20	21	22	23	24	25	26	27	28	29	30	31	32	33	34	35	36	37	38	39	40	41	42	43	44	45	46	47	48	49	50	51	52	53	54	55	56	57	58	59	60	61	62	63	64	65	66	67	68	69	70	71	72	73	74	75	76	77	78	79	80	81	82	83	84	85	86	87	88	89	90	91	92	93	94	95	96	97	98	99	100
---	---	---	---	---	---	---	---	---	----	----	----	----	----	----	----	----	----	----	----	----	----	----	----	----	----	----	----	----	----	----	----	----	----	----	----	----	----	----	----	----	----	----	----	----	----	----	----	----	----	----	----	----	----	----	----	----	----	----	----	----	----	----	----	----	----	----	----	----	----	----	----	----	----	----	----	----	----	----	----	----	----	----	----	----	----	----	----	----	----	----	----	----	----	----	----	----	----	----	-----

Connector No.	B201
Connector Name	WIRE TO WIRE
Connector Type	TH80FW-CS16-TM4

Terminal No.	Color of Wire	Signal Name [Specification]
1	G	-
2	R	-
3	BR	-

52	R	-
53	G	-
54	L	-
55	SR	-
60	GR	-
61	LG	-
62	SB	-
63	P	-
64	BR	-
65	O	-
66	Y	-
67	W	-
68	SHIELD	-
69	G	-
71	SB	-
72	V	-
73	LG	-
74	W	-
75	BR	-
76	V	-
77	LG	-
80	O	-
81	G	-
82	P	-
83	Y	-
84	R	-
85	SR	-
86	GR	-
87	L	-
91	V	-
92	W	-
93	R	-
94	LG	-
95	GR	-
96	W	-
97	G	-
98	O	-
99	L	-
100	Y	-

4	SB	-
6	O	-
7	GR	-
8	W	-
10	G	-
11	BR	-
12	Y	-
13	SHIELD	-
14	G	-
15	R	-
16	SHIELD	-
17	LG	-
18	GR	-
19	V	-
20	SB	-
21	LG	-
22	B	- [With entertainment system] - [Without entertainment system]
23	W	- [With entertainment system] - [Without entertainment system]
24	R	- [With entertainment system] - [Without entertainment system]
25	SHIELD	- [With entertainment system] - [Without entertainment system]
26	V	-
27	V	-
28	SHIELD	-
29	O	-
30	P	-
31	W	-
32	GR	-
33	SR	-
40	LG	- [With ICC] - [Without ICC]
41	SB	- [With ICC] - [Without ICC]
42	V	- [With ICC] - [Without ICC]
43	BR	- [With ICC] - [Without ICC]
44	R	-
45	G	- [With ICC] - [Without ICC]
46	O	- [With ICC] - [Without ICC]
47	L	- [With ICC] - [Without ICC]
48	P	- [With ICC] - [Without ICC]
49	R	- [With ICC] - [Without ICC]
50	SHIELD	- [With ICC] - [Without ICC]
51	W	-

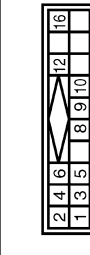
POWER SUPPLY ROUTING CIRCUIT

[POWER SUPPLY & GROUND CIRCUIT]

< DTC/CIRCUIT DIAGNOSIS >

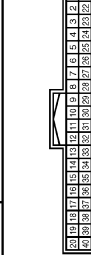
ACCESSORY POWER SUPPLY FUSE No. 19

Connector No.	B236
Connector Name	SATELLITE RADIO TUNER
Connector Type	16PFW



Terminal No.	Color of Wire	Signal Name [Specification]
1	W	SATELLITE RADIO SOUND SIGNAL LH (-)
2	B	SATELLITE RADIO SOUND SIGNAL LH (+)
3	R	SATELLITE RADIO SOUND SIGNAL RH (-)
4	G	SATELLITE RADIO SOUND SIGNAL RH (+)
5	SHIELD	SHIELD
6	SHIELD	SHIELD
8	W	REQUEST (SAT->CONT)
9	B	COMM (SAT->CONT)
10	R	COMM (CONT->SAT)
12	Y	BATTERY
16	V	ACC

Connector No.	B243
Connector Name	WIRE TO WIRE
Connector Type	TH40PW-NH



Terminal No.	Color of Wire	Signal Name [Specification]
1	B	
2	B	
3	Y	
4	LG	
5	GR	
6	B	
7	SHIELD	- [With entertainment system]
7	V	- [Without entertainment system]
8	R	
9	G	
10	SHIELD	

11	Y	
12	BR	
13	SHIELD	
14	L	
15	P	
16	SHIELD	
17	R	
18	W	
19	B	
21	B	
22	SHIELD	
23	G	
24	P	
25	SHIELD	
26	L	
27	V	- [With entertainment system]
27	W	- [Without entertainment system]
28	GR	
28	SB	- [With entertainment system]
28	SB	- [Without entertainment system]
29	LG	
30	P	
31	O	
32	SHIELD	
33	V	
34	SB	
35	SHIELD	
37	B	
38	R	
39	W	

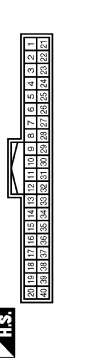
Connector No.	M1
Connector Name	FUSE BLOCK (J/B)
Connector Type	NS00PW-M2



Terminal No.	Color of Wire	Signal Name [Specification]
1A	O	
2A	G	
3A	L	
4A	P	
5A	V	
6A	Y	
7A	R	

Connector No.	8A
Connector Name	L

Connector No.	M4
Connector Name	WIRE TO WIRE
Connector Type	TH40PW-NH



Terminal No.	Color of Wire	Signal Name [Specification]
5	B	
6	W	
7	R	
8	SHIELD	
9	LG	
10	SB	
11	LG	
12	SB	
21	Y	
22	R	
23	V	
24	R	
25	R	
26	Y	
27	G	
28	B	
29	W	
30	SHIELD	
31	R	
32	Y	
33	G	
34	B	
35	W	
36	SHIELD	
37	LG	
38	G	
39	V	

Connector No.	M20
Connector Name	DOOR MIRROR REMOTE CONTROL SWITCH
Connector Type	TK18FW



Terminal No.	Color of Wire	Signal Name [Specification]
2	LG	
3	O	
4	GR	
5	L	
6	Y	
7	G	
8	R	
9	P	
10	SB	
11	LG	
12	B	
13	G	
15	O	
16	W	

JCMWA5079GB

A B C D E F G H I J K L N O P PG

POWER SUPPLY ROUTING CIRCUIT

< DTC/CIRCUIT DIAGNOSIS >

[POWER SUPPLY & GROUND CIRCUIT]

ACCESSORY POWER SUPPLY FUSE No. 19

Connector No.	M26
Connector Name	DOOR MIRROR REMOTE CONTROL SWITCH
Connector Type	TK10FBR



2	3	4	5	6
8	9	10	11	12
13	14	15	16	

Terminal No.	Color of Wire	Signal Name [Specification]
2	P	-
3	LG	-
4	BR	-
5	V	-
6	G	-
8	SB	-
9	LG	-
10	R	-
12	G	-
13	B	-
14	SB	-
15	O	-
16	W	-

Connector No.	M42
Connector Name	DICDE
Connector Type	ET02-2W



2	1
---	---

Terminal No.	Color of Wire	Signal Name [Specification]
1	V	-
2	G	-

Connector No.	M47
Connector Name	SONAR CONTROL UNIT
Connector Type	TH24FW-NH



1	3	4	5	6	7	8	9	10	12
13				18	19	20			23
									24

Terminal No.	Color of Wire	Signal Name [Specification]
3	W	CORNER SENSOR FRONT LH
4	R	CORNER SENSOR FRONT RH
5	W	CORNER SENSOR REAR LH
6	R	CORNER SENSOR REAR RH
12	B	SENSOR GND
13	V	ACC
18	P	K LINE
19	G	A/C COMM (H)
20	R	A/C COMM (L)
24	B	GND

Connector No.	M87
Connector Name	UNIFIED METER AND A/C AMP.
Connector Type	TH32FW-NH



41	42	43	44	45	46	47	53	54	55	56
57	58	59	60	61	62	63	65	66	67	68

Terminal No.	Color of Wire	Signal Name [Specification]
41	V	ACC POWER SUPPLY
42	Y	FUEL LEVEL SENSOR SIGNAL
43	R	INTAKE SENSOR SIGNAL
44	LG	IN-VEHICLE SENSOR SIGNAL
45	P	AMBIENT SENSOR SIGNAL
46	O	SUNLOAD SENSOR SIGNAL
47	V	GAS SENSOR SIGNAL
53	G	IGNITION POWER SUPPLY
54	O	BATTERY POWER SUPPLY
55	B	GROUND
56	L	COANH
57	W	BRAKE FLUID LEVEL SWITCH SIGNAL

58	B	FUEL LEVEL SENSOR GROUND
59	GR	INTAKE SENSOR GROUND
60	L	IN-VEHICLE SENSOR GROUND
61	BR	AMBIENT SENSOR GROUND
62	SB	SUN/GAS SENSOR GROUND
63	R	IGNITION SIGNAL
65	O	ECV SIGNAL
69	L	A/C LAN SIGNAL
70	R	EACH DOOR MOTOR POWER SUPPLY
71	B	GROUND
72	P	CAN-L

Connector No.	M72
Connector Name	MULTIFUNCTION SWITCH
Connector Type	TH10FW-NH



4	6	8
1	3	5
		9

Terminal No.	Color of Wire	Signal Name [Specification]
1	B	GND
3	Y	ACC
4	R	ILL
5	R	ILL CONT
6	SB	AV COMM (H)
8	LG	AV COMM (L)
9	BR	SW GND
14	SB	DISK EJECT SIGNAL
16	G	HAZARD ON

Connector No.	M89
Connector Name	VIDEO DISTRIBUTOR
Connector Type	TH08FW-NH



54	56	60
53	55	

Terminal No.	Color of Wire	Signal Name [Specification]

53	B	GND
54	Y	BATTERY
55	SB	ACC
56	G	IGNITION
60	P	HEADPHONE ON SIGNAL

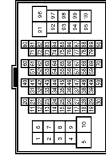
POWER SUPPLY ROUTING CIRCUIT

< DTC/CIRCUIT DIAGNOSIS >

[POWER SUPPLY & GROUND CIRCUIT]

ACCESSORY POWER SUPPLY FUSE No. 19

Connector No.	M117
Connector Name	WIRE TO WIRE
Connector Type	TH3DMM-CSI6-TM44

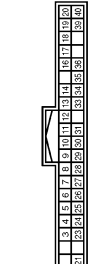


Terminal No.	Color of Wire	Signal Name [Specification]
1	GR	-
2	BR	-
3	V	-
4	SB	-
6	Y	-
7	B	-
8	W	-
10	W	-
11	BR	-
12	GR	-
13	SHIELD	-
14	B	-
15	P	-
16	SHIELD	-
17	Y	-
18	Y	-
19	LG	-
20	SB	-
21	LG	-
22	B	- [With entertainment system] - [Without entertainment system]
23	W	- [With entertainment system] - [Without entertainment system]
24	R	- [With entertainment system] - [Without entertainment system]
25	SHIELD	- [With entertainment system] - [Without entertainment system]
26	R	-
27	V	-
28	SHIELD	-
29	O	-
30	P	-
31	W	-
32	W	-
33	SB	-
40	Y	-
41	SB	- [With ICC] - [Without ICC]
41	Y	-

42	V	- [With ICC] - [Without ICC]
43	P	- [With ICC] - [Without ICC]
44	R	- [With ICC] - [Without ICC]
45	L	- [With ICC] - [Without ICC]
46	O	- [With ICC] - [Without ICC]
47	SHIELD	- [With ICC] - [Without ICC]
48	P	- [With ICC] - [Without ICC]
49	G	- [With ICC] - [Without ICC]
50	SHIELD	-
51	O	-
52	GR	-
53	G	-
54	L	-
55	P	-
60	LG	-
61	R	-
62	SB	-
63	V	-
64	Y	-
65	BR	-
66	O	-
67	W	-
68	SHIELD	-
69	G	-
71	SB	-
72	V	-
73	V	-
74	LG	-
75	R	- [With VK engine] - [With VQ engine]
76	BR	-
77	LG	-
80	R	-
81	L	-
82	Y	-
83	O	-
84	W	-
85	SB	-
86	B	-
87	P	-
91	L	-
92	L	-
93	G	-
94	W	- [With VK engine] - [With VQ engine]
94	O	- [With VQ engine]

95	V	-
96	G	-
97	G	-
98	L	-
99	LG	-
100	Y	-

Connector No.	M129
Connector Name	TOTAL ILLUMINATION CONTROL UNIT
Connector Type	TH4DFW-NH



Terminal No.	Color of Wire	Signal Name [Specification]
3	V	DDL2
4	L	TAIL LAMP SIGNAL
5	V	ACC SIGNAL
6	P	BAT SAVER SIGNAL
7	W	IGN SIGNAL
8	G	DOOR SW (AS)
9	O	DOOR SW (RH)
10	SB	MOOD LAMP (FR ARMREST RH)
11	Y	MOOD LAMP (RR ARMREST RH)
12	P	MAP LAMP (AS)
13	G	PERSONAL LAMP (LH)
14	R	PERSONAL LAMP (RH)
16	GR	FOOT LAMP (RH)
17	LG	HSPIL ILLUMINATIONS
18	L	MAP LAMP (DR)
19	R	PUSH ENG START SW LED
20	Y	AMBIENCE LAMP
21	R	BAT POWER SUPPLY
23	B	GND
24	O	ILL CONT INPUT
25	BR	DOOR SW (RR)
26	BR	MAP LAMP SW (DOOR)
27	R	MAP LAMP SW (ALL ON)
28	SB	ROOM LAMP TIMER
29	GR	DOOR SW (DR)
30	LG	MOOD LAMP (FR ARMREST LH)
31	O	MOOD LAMP (RR ARMREST LH)
33	W	HSPIL POWER SUPPLY 3
34	R	HSPIL POWER SUPPLY 2
35	V	HSPIL POWER SUPPLY 1

36	L	FOOT LAMP (LH)
39	B	PUDDLE LAMP (RH)
40	O	PUDDLE LAMP (LH)

Connector No.	M195
Connector Name	FRONT DISPLAY UNIT
Connector Type	TH2DFW-NH



Terminal No.	Color of Wire	Signal Name [Specification]
6	SHIELD	SHIELD
7	SHIELD	SHIELD
8	W	CAMERA IMAGE SIGNAL
9	G	COMM (DISP->CONT)
10	R	COMM (CONT->DISP)
11	P	BATTERY
12	B	GND
13	B	COMPOSITE IMAGE SIGNAL
19	B	COMPOSITE IMAGE SIGNAL GND
20	W	COMPOSITE IMAGE SYNC SIGNAL
22	SHIELD	SHIELD
23	L	ACC

A
B
C
D
E
F
G
H
I
J
K
L
M
N
O
P

PG

JCMWA5081GB

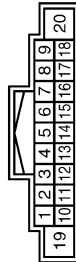
POWER SUPPLY ROUTING CIRCUIT

< DTC/CIRCUIT DIAGNOSIS >

[POWER SUPPLY & GROUND CIRCUIT]

ACCESSORY POWER SUPPLY FUSE No. 19

Connector No.	M201
Connector Name	AV CONTROL UNIT
Connector Type	TH18FW-GSZ



20	B	GND
----	---	-----

Terminal No.	Color of Wire	Signal Name (Specification)
6	P	STRG SW A
7	V	ACC
9	R	ILLUMINATION SIGNAL
15	B	STRG SW GND
16	L	STRG SW B
19	Y	BATTERY
20	B	GND

Connector No.	M208
Connector Name	AV CONTROL UNIT
Connector Type	TH18FW-GSZ



Terminal No.	Color of Wire	Signal Name (Specification)
1	V	AMP. ON SIGNAL
2	P	SOUND SIGNAL FRONT LH (+)
3	L	SOUND SIGNAL FRONT LH (-)
4	V	SOUND SIGNAL REAR LH (+)
5	LG	SOUND SIGNAL REAR LH (-)
6	P	STRG SW A
7	V	ACC
10	B	SHIELD
11	R	SOUND SIGNAL FRONT RH (+)
12	G	SOUND SIGNAL FRONT RH (-)
13	BR	SOUND SIGNAL REAR RH (+)
14	Y	SOUND SIGNAL REAR RH (-)
15	B	STRG SW GND
16	L	STRG SW B
18	Y	BATTERY

JCMWA5082GB

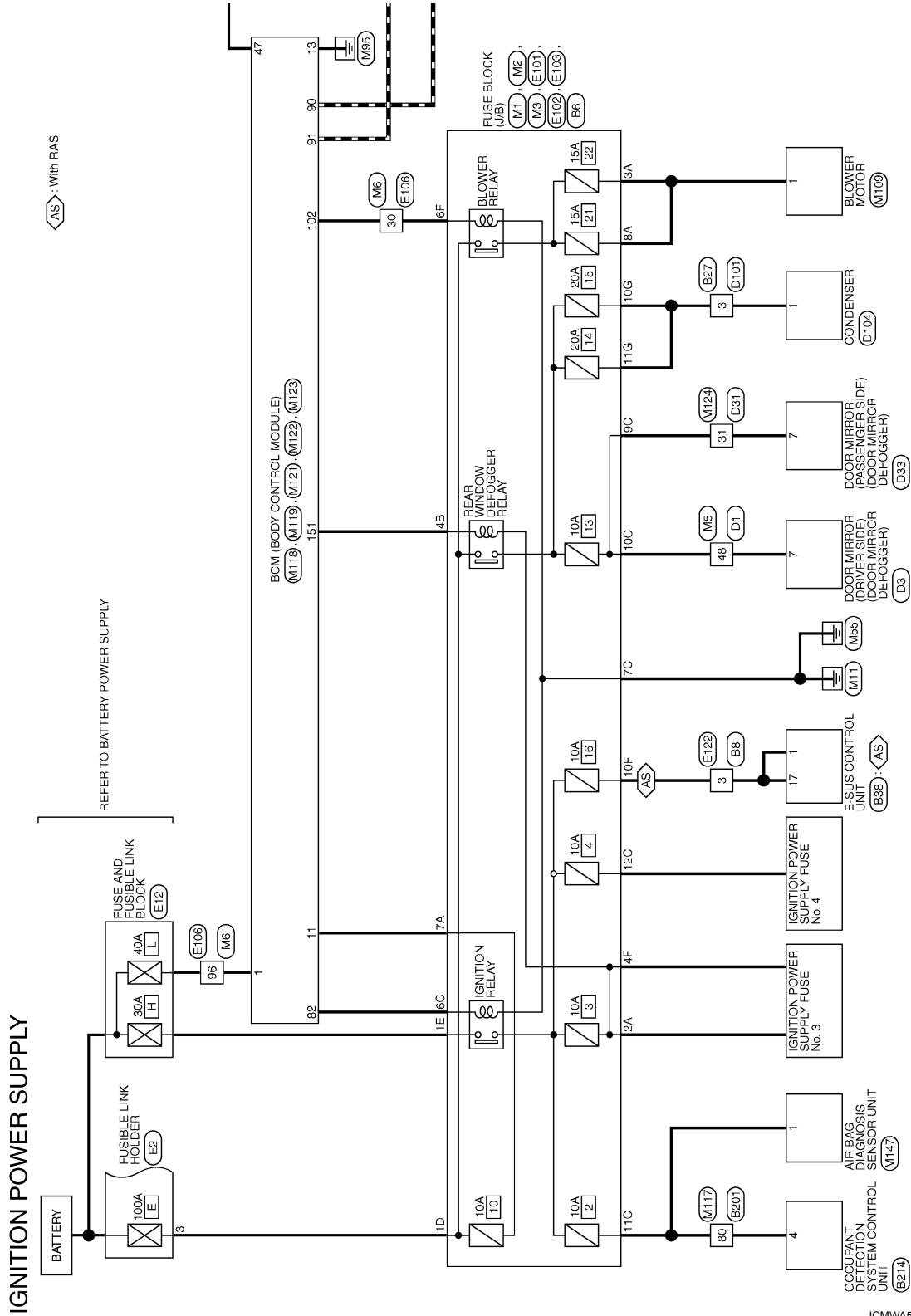
POWER SUPPLY ROUTING CIRCUIT

< DTC/CIRCUIT DIAGNOSIS >

[POWER SUPPLY & GROUND CIRCUIT]

Wiring Diagram - IGNITION POWER SUPPLY -

INFOID:000000005550380



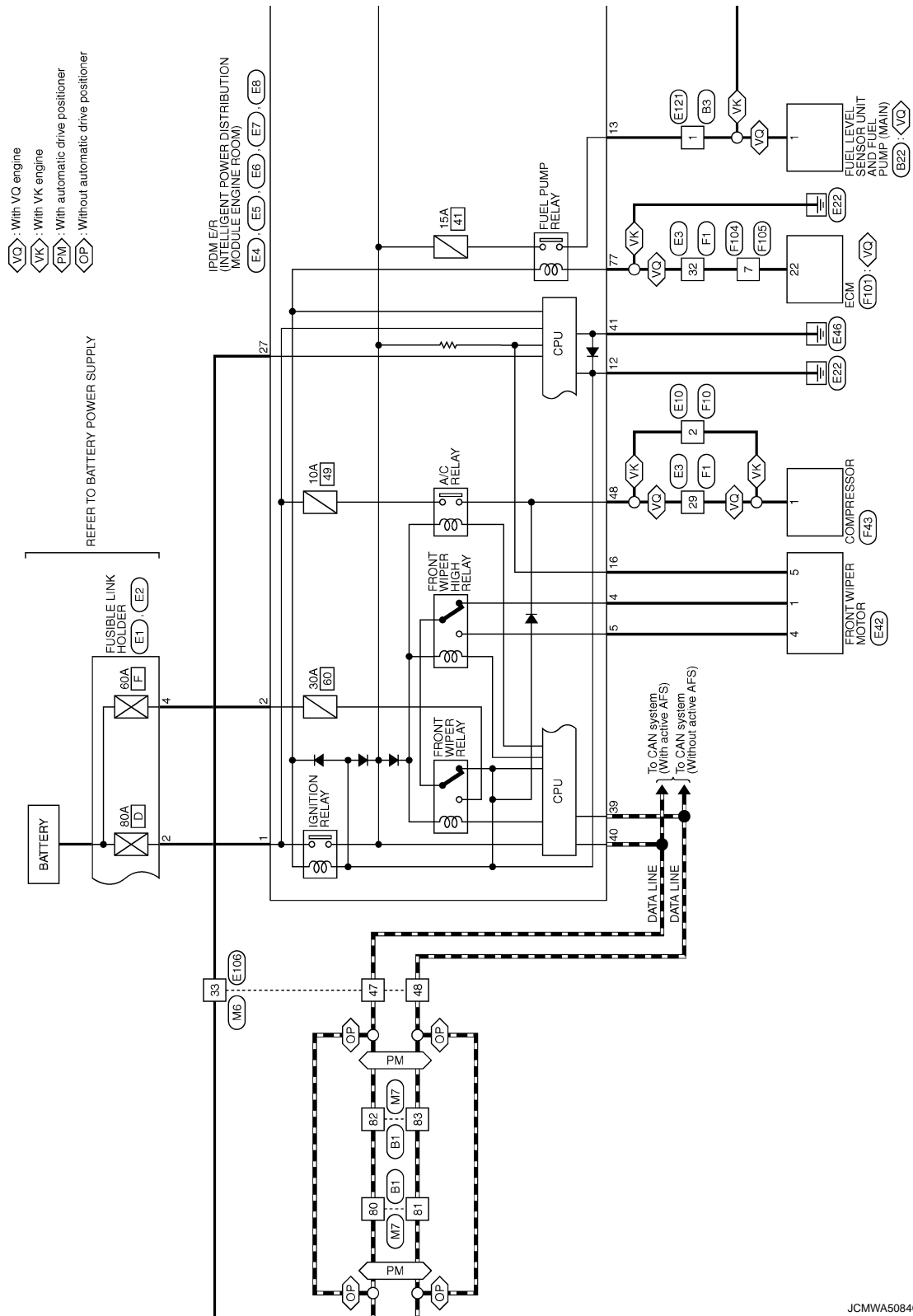
A
B
C
D
E
F
G
H
I
J
K
L
M
N
O
P

PG

POWER SUPPLY ROUTING CIRCUIT

< DTC/CIRCUIT DIAGNOSIS >

[POWER SUPPLY & GROUND CIRCUIT]



JCMWA5084GB

POWER SUPPLY ROUTING CIRCUIT

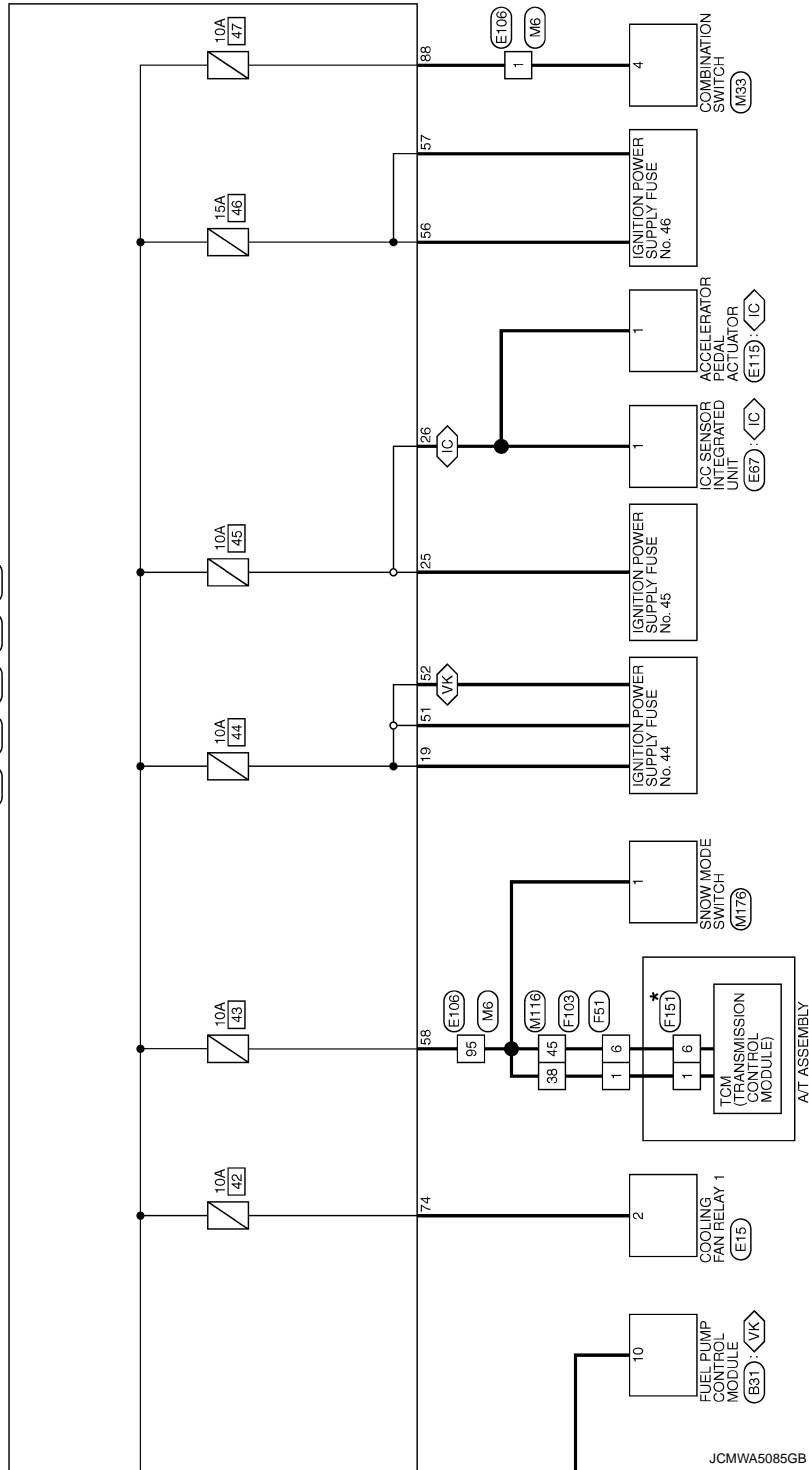
[POWER SUPPLY & GROUND CIRCUIT]

< DTC/CIRCUIT DIAGNOSIS >

◊VK◊ : With VK engine
◊IC◊ : With ICC

*: This connector is not shown in "Harness Layout".

IPDM E/R
(INTEGRATED POWER DISTRIBUTION
MODULE ENGINE ROOM)
(E4) (E5) (E6) (E7) (E8)



JCMWA5085GB

A
B
C
D
E
F
G
H
I
J
K
L
PG
N
O
P

POWER SUPPLY ROUTING CIRCUIT

[POWER SUPPLY & GROUND CIRCUIT]

< DTC/CIRCUIT DIAGNOSIS >

IGNITION POWER SUPPLY

Connector No.	B1
Connector Name	WIRE TO WIRE
Connector Type	THB0PW-CS16-TM4



Terminal No.	Color of Wire	Signal Name [Specification]
1	G	
2	L	
3	W	
5	G	
6	G	
7	P	
8	O	
9	W	
10	SB	
11	SB	
12	B	
13	G	
14	R	
15	W	
16	SHIELD	
17	L	
18	P	
19	G	
20	Y	
21	W	
23	V	
24	P	
25	BR	
26	GR	
27	O	
28	W	
29	SHIELD	
38	B	
39	B	
40	LG	
41	G	
42	GR	
43	SB	
44	V	
45	GR	
50	B	
51	V	
52	SB	

53	SHIELD	
54	BR	
55	Y	
56	SHIELD	
57	P	
58	L	
59	SHIELD	
60	L	
61	P	
62	GR	
63	G	
64	O	
65	W	
66	V	
67	LG	
68	Y	
69	G	
70	GR	
71	G	
72	B	
73	W	
74	V	
75	O	
76	LG	
77	L	
78	GR	
79	W	
80	L	
81	P	
82	L	
83	P	
84	SB	
85	R	
86	Y	
87	B	
88	G	
89	BR	
90	W	
91	R	
92	O	
93	BR	
94	V	
95	Y	
96	O	
97	W	
98	GR	
99	W	

Connector No.	B3
Connector Name	WIRE TO WIRE
Connector Type	IM02FW-LC



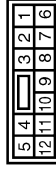
Terminal No.	Color of Wire	Signal Name [Specification]
1	R	
2	L	
2	R	

Connector No.	B6
Connector Name	FUSE BLOCK (J/B)
Connector Type	NS12FBR-CS



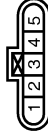
Terminal No.	Color of Wire	Signal Name [Specification]
4G	R	
5G	LG	
7G	O	
10G	W	
11G	W	
12G	GR	

Connector No.	B8
Connector Name	WIRE TO WIRE
Connector Type	NS12FBR-CS



Terminal No.	Color of Wire	Signal Name [Specification]
1	P	
2	V	
3	L	
4	SB	
6	Y	
7	G	
8	BR	
9	O	
10	GR	
11	W	
12	R	

Connector No.	B22
Connector Name	FUEL LEVEL SENSOR UNIT AND FUEL PUMP (24R)
Connector Type	ED5FGY-RS



Terminal No.	Color of Wire	Signal Name [Specification]
1	BR	
1	L	
2	W	
3	G	
3	B	
4	R	
5	B	

JCMWA5086GB

POWER SUPPLY ROUTING CIRCUIT

< DTC/CIRCUIT DIAGNOSIS >

[POWER SUPPLY & GROUND CIRCUIT]

IGNITION POWER SUPPLY

Connector No.	B27
Connector Name	WIRE TO WIRE
Connector Type	M03BMV-LC



Terminal No.	Color of Wire	Signal Name [Specification]
1	G	-
2	B	-
3	W	-
4	B	-
5	R	-
6	GR	-

Connector No.	B31
Connector Name	FUEL PUMP CONTROL MODULE
Connector Type	TM10TB



Terminal No.	Color of Wire	Signal Name [Specification]
5	B	GND
6	G	FUEL PUMP (-)
7	BR	FUEL PUMP (+)
8	Y	FFC INPUT SIGNAL
9	W	DIAG OUTPUT SIGNAL
10	R	BATTERY

Connector No.	B38
Connector Name	E-SUS CONTROL UNIT
Connector Type	FA82PEL



Terminal No.	Color of Wire	Signal Name [Specification]
1	L	IGN2
2	P	ACTUATOR FR-
3	V	ACTUATOR FR+
4	G	ACTUATOR FL-
5	Y	ACTUATOR FL+
6	LG	ACTUATOR RL+
7	V	ACTUATOR RL-
8	L	ACTUATOR RR+
9	P	ACTUATOR RR-
10	O	FRONT WHEEL G SENSOR SIG LH
11	SB	FRONT BODY G SENSOR SIG RH
12	R	FRONT BODY G SENSOR SIG LH
14	G	REAR BODY G SENSOR SIG
17	L	IGN1
18	B	GND2
19	B	GND1
20	W	MODE SW SIG
23	G	MODE LAMP SIG
24	W	FRONT WHEEL G SENSOR SIG RH
25	Y	REAR BODY G SENSOR-
26	BR	FRONT G SENSOR-
27	GR	FRONT G SENSOR+
29	P	CAN-L
30	LG	REAR BODY G SENSOR+
32	L	CAN-H

JCMWA5087GB

A
B
C
D
E
F
G
H
I
J
K
L
M
N
O
P

PG

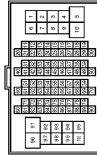
POWER SUPPLY ROUTING CIRCUIT

< DTC/CIRCUIT DIAGNOSIS >

[POWER SUPPLY & GROUND CIRCUIT]

IGNITION POWER SUPPLY

Connector No.	B201
Connector Name	WIRE TO WIRE
Connector Type	TH04PW-CS16-TM4



Terminal No.	Color of Wire	Signal Name [Specification]
1	G	-
2	R	-
3	BR	-
4	SB	-
6	O	-
7	GR	-
8	W	-
10	G	-
11	BR	-
12	Y	-
13	SHIELD	-
14	G	-
15	R	-
16	SHIELD	-
17	LG	-
18	GR	-
19	V	-
20	SB	-
21	LG	-
22	B	- [With entertainment system] - [Without entertainment system]
23	GR	- [With entertainment system] - [Without entertainment system]
24	W	- [With entertainment system] - [Without entertainment system]
25	SHIELD	- [With entertainment system] - [Without entertainment system]
26	V	- [Without entertainment system]
27	V	-
28	SHIELD	-
29	O	-
30	P	-
31	W	-
32	GR	-
33	SB	-
40	LG	- [With ICC] - [Without ICC]
40	V	- [Without ICC]
41	SB	- [With ICC]

41	Y	- [Without ICC]
42	V	- [With ICC]
42	W	- [Without ICC]
43	BR	- [With ICC]
43	R	- [Without ICC]
44	G	-
45	O	-
46	O	- [With ICC]
46	SHIELD	- [Without ICC]
47	L	- [With ICC]
47	B	- [Without ICC]
48	P	- [With ICC]
48	R	- [Without ICC]
49	G	- [With ICC]
49	W	- [Without ICC]
50	SHIELD	-
51	W	-
52	R	-
53	G	-
54	L	-
55	SB	-
60	GR	-
61	LG	-
62	SB	-
63	P	-
64	BR	-
65	O	-
66	Y	-
67	W	-
68	SHIELD	-
69	G	-
71	SB	-
72	V	-
73	LG	-
74	W	-
75	BR	-
76	V	-
77	LG	-
80	O	-
81	G	-
82	P	-
83	Y	-
84	R	-
85	SB	-
86	GR	-
87	L	-
91	W	-
92	V	-
93	R	-
94	LG	-
95	GR	-
96	W	-

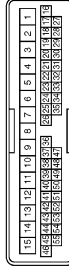
97	G	-
98	O	-
99	L	-
100	Y	-

Connector No.	B214
Connector Name	OCCUPANT DETECTION SYSTEM CONTROL UNIT
Connector Type	TH04FW-NH



Terminal No.	Color of Wire	Signal Name [Specification]
1	P	K LINE
2	B	GND
3	G	COMMUNICATION
4	O	IGN

Connector No.	D1
Connector Name	WIRE TO WIRE
Connector Type	TH04PW-CS15



Terminal No.	Color of Wire	Signal Name [Specification]
1	B	-
3	G	-
6	GR	-
7	W	-
8	SB	-
9	BR	-
10	O	-
11	R	-
12	LG	-
13	Y	-
14	P	-
15	L	-

20	V	-
21	Y	-
22	GR	-
23	SR	-
24	LG	-
25	G	-
27	V	-
28	P	-
29	Y	-
30	LG	-
31	O	-
32	BR	-
33	L	-
34	GR	-
35	B	-
38	SHIELD	-
39	W	-
40	BR	-
41	L	-
42	Y	-
43	R	-
44	BR	-
45	V	-
46	P	-
47	W	-
48	GR	-
49	R	-
50	B	-
51	SB	-
52	L	-
53	G	-
54	O	-
55	GR	-

POWER SUPPLY ROUTING CIRCUIT

< DTC/CIRCUIT DIAGNOSIS >

[POWER SUPPLY & GROUND CIRCUIT]

IGNITION POWER SUPPLY

Connector No.	D33
Connector Name	DOOR MIRROR (DRIVER SIDE)
Connector Type	TH24MW-NH

12	11	10	9	8	7	6	5	3	2	1	14
24	23	22	21	19	18	17					

Terminal No.	Color of Wire	Signal Name [Specification]
2	R	-
3	W	SIDE CAMERA LH COMM
5	Y	SIDE CAMERA LH IMAGE SIGNAL
6	R	SIDE CAMERA LH POWER SUPPLY
7	GR	-
8	SB	-
9	L	-
10	G	-
11	GR	-
12	O	-
14	B	-
17	L	SIDE CAMERA LH IMAGE GND
18	BR	SIDE CAMERA LH GND
19	B	-
21	P	-
22	BR	-
23	W	-
24	V	-

Connector No.	D31
Connector Name	WIRE TO WIRE
Connector Type	TH4DFW-CS15

15	14	13	12	11	10	9	8	7	6	5	4	3	2	1
24	23	22	21	20	19	18	17	16	15	14	13	12	11	10

Terminal No.	Color of Wire	Signal Name [Specification]
2	Y	-
3	W	SIDE CAMERA RH COMM
4	LG	SIDE CAMERA RH IMAGE SIGNAL
5	V	SIDE CAMERA RH POWER SUPPLY
6	R	-
7	LG	-

7	G	-
8	R	-
9	LG	-
12	GR	-
14	V	-
15	Y	-
19	G	-
20	LG	-
21	SHIELD	-
22	W	-
23	BR	-
24	L	-
25	Y	-
26	R	-
31	LG	-
32	R	-
33	SB	-
34	Y	-
35	GR	-
36	O	-
37	GR	-
38	G	-
39	O	-
40	Y	-
41	L	-
42	O	-
43	BR	-
44	P	-
45	Y	-
46	W	-

Connector No.	D33
Connector Name	DOOR MIRROR (PASSENGER SIDE)
Connector Type	TH24MW-NH

12	11	10	9	8	7	6	5	4	3	2
24	23	22	21	19	18	17	16	14		

Terminal No.	Color of Wire	Signal Name [Specification]
2	Y	-
3	W	SIDE CAMERA RH COMM
4	LG	SIDE CAMERA RH IMAGE SIGNAL
5	V	SIDE CAMERA RH POWER SUPPLY
6	R	-
7	LG	-

8	O	-
9	L	-
10	G	-
11	GR	-
12	O	-
14	O	-
16	G	-
17	L	SIDE CAMERA RH IMAGE GND
18	BR	SIDE CAMERA RH GND
19	B	-
21	P	-
22	BR	-
23	W	-
24	V	-

Connector No.	D101
Connector Name	WIRE TO WIRE
Connector Type	MD9FW-LC

3	2	1
6	5	4

Terminal No.	Color of Wire	Signal Name [Specification]
1	G	-
2	B	-
3	R	-
4	B	-
5	SB	-
6	GR	-

Connector No.	D104
Connector Name	CONDENSER
Connector Type	P01FB-A

1

Terminal No.	Color of Wire	Signal Name [Specification]
1	-	-

1	R	-
---	---	---

Connector No.	E1
Connector Name	FUSIBLE LINK HOLDER
Connector Type	LD2FBR-MC

1	2
---	---

Terminal No.	Color of Wire	Signal Name [Specification]
1	R	-
2	W	-

Connector No.	E2
Connector Name	FUSIBLE LINK HOLDER
Connector Type	LD2FGY-MC

4	3
---	---

Terminal No.	Color of Wire	Signal Name [Specification]
3	L	-
4	R	-

A
B
C
D
E
F
G
H
I
J
K
L
PG
N
O
P

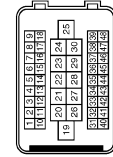
POWER SUPPLY ROUTING CIRCUIT

< DTC/CIRCUIT DIAGNOSIS >

[POWER SUPPLY & GROUND CIRCUIT]

IGNITION POWER SUPPLY

Connector No.	E3
Connector Name	WIRE TO WIRE
Connector Type	SAA38ME-RS10-SLZ2



Terminal No.	Color of Wire	Signal Name [Specification]
19	W	-
20	GR	-
21	G	-
22	LG	-
23	W	-
25	BR	-
26	BR	-
27	R	-
28	R	-
29	L	-
30	V	-
31	LG	-
32	L	-
33	P	-
34	G	-
35	Y	-
40	O	-
41	W	-
42	V	-
43	W	-

Connector No.	E4
Connector Name	IPDME/R INTELLIGENT POWER DISTRIBUTION MODULE (ENGINE ROOM)
Connector Type	LOZFE-MC



Terminal No.	Color of Wire	Signal Name [Specification]
1	W	-
2	L	-

Connector No.	E5
Connector Name	IPDME/R INTELLIGENT POWER DISTRIBUTION MODULE (ENGINE ROOM)
Connector Type	TH20PW-CS12-M4-TV



Terminal No.	Color of Wire	Signal Name [Specification]
4	V	-
5	L	-
7	R	-
10	SB	-
11	BR	-
12	B	-
13	Y	-
16	LG	-
19	W	-
25	G	-
26	R	-
27	Y	-
28	O	-
30	GR	-
32	SB	-
33	P	-
36	G	-

Connector No.	E6
Connector Name	IPDME/R INTELLIGENT POWER DISTRIBUTION MODULE (ENGINE ROOM)
Connector Type	TH08FW-NH



Terminal No.	Color of Wire	Signal Name [Specification]
39	P	-
40	L	-
41	B	-
42	Y	-
43	SB	-

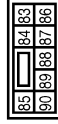
44	W	-
45	G	-
46	BR	-

Connector No.	E7
Connector Name	IPDME/R INTELLIGENT POWER DISTRIBUTION MODULE (ENGINE ROOM)
Connector Type	TH20PW-CS12-M4



Terminal No.	Color of Wire	Signal Name [Specification]
48	L	-
49	W	- [With VK engine]
49	SB	- [With VQ engine]
51	G	-
52	W	-
53	W	-
54	R	-
55	BR	-
56	O	- [With VK engine]
56	V	- [With VQ engine]
57	LG	-
58	Y	-
69	W	-
70	O	-
74	G	-
75	Y	-
76	P	- [With VK engine]
76	V	- [With VQ engine]
77	B	- [With VK engine]
77	L	- [With VQ engine]
80	W	-

Connector No.	E8
Connector Name	IPDME/R INTELLIGENT POWER DISTRIBUTION MODULE (ENGINE ROOM)
Connector Type	NS08FW-CS



Terminal No.	Color of Wire	Signal Name [Specification]
83	R	-
84	P	-
86	W	-
88	G	-
89	BR	-
90	Y	-

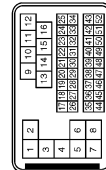
POWER SUPPLY ROUTING CIRCUIT

< DTC/CIRCUIT DIAGNOSIS >

[POWER SUPPLY & GROUND CIRCUIT]

IGNITION POWER SUPPLY

Connector No.	E10
Connector Name	WIRE TO WIRE
Connector Type	SA338ME-RSS-SWZB



Terminal No.	41	42	43	44	45	46	47	48	49	50	51	52
Color of Wire	Y	SHIELD	W	G	L	G	B	R	L	G	B	R
Signal Name [Specification]	-	-	-	-	-	-	-	-	-	-	-	-

Terminal No.	1	2	3	4	5	6	7	8	9	10	11	12	13	14	15	16	17	18	19	20	21	22	23	24	26	27	28	29	30	31	32	33	35	36	37	38	39	40	
Color of Wire	SHIELD	L	G	BR	G	BR	W	SHIELD	W	W	W	W	R	LG	LG	O	W	P	W	BR	SB	W	V	Y	LG	G	GR	P	W	G	L	O	R	SHIELD	SHIELD	SHIELD	W	SHIELD	
Signal Name [Specification]	-	-	-	-	-	-	-	-	-	-	-	-	-	-	-	-	-	-	-	-	-	-	-	-	-	-	-	-	-	-	-	-	-	-	-	-	-	-	-

Connector No.	E67
Connector Name	ICC SENSOR INTEGRATED UNIT
Connector Type	RS06FB-PR



Terminal No.	1E
Color of Wire	GR
Signal Name [Specification]	-

Connector No.	E103
Connector Name	FUSE BLOCK (J/B)
Connector Type	NS16FW-CS



Terminal No.	1	2	3	4	5	6
Color of Wire	R	L	L	B	P	P
Signal Name [Specification]	IGNITION	ITS COMM-H	CAN-H	GND	ITS COMM-L	CAN-L

Connector No.	E101
Connector Name	FUSE BLOCK (J/B)
Connector Type	LD1FW-MC



Terminal No.	1F	2F	3F	4F	5F	6F	7F	8F	9F	10F
Color of Wire	SB	W	Y	G	O	L	R	L	L	L
Signal Name [Specification]	-	-	-	-	-	-	-	-	-	-

Terminal No.	ID
Color of Wire	R
Signal Name [Specification]	-

Connector No.	E102
Connector Name	FUSE BLOCK (J/B)
Connector Type	M02FB-LC



Terminal No.	1	2	3
Color of Wire	V	B	L
Signal Name [Specification]	-	-	-

Connector No.	E42
Connector Name	FRONT WIPER MOTOR
Connector Type	HS05FGY



JCMWA5091GB

A
B
C
D
E
F
G
H
I
J
K
L
PG
N
O
P

POWER SUPPLY ROUTING CIRCUIT

[POWER SUPPLY & GROUND CIRCUIT]

< DTC/CIRCUIT DIAGNOSIS >

IGNITION POWER SUPPLY

Connector No.	E106
Connector Name	WIRE TO WIRE
Connector Type	THB0PW-CS16-1M4



Terminal No.	Color of Wire	Signal Name [Specification]
1	G	-
2	O	-
3	SB	-
4	LG	-
5	Y	-
6	W	-
7	G	-
8	V	-
9	R	-
10	BR	-
11	B	-
12	G	-
13	R	-
14	W	-
15	SHIELD	-
16	SB	-
17	L	-
18	P	-
19	G	-
20	W	- [With ICC]
21	Y	- [Without ICC]
22	R	- [With ICC]
23	G	- [Without ICC]
24	L	- [With ICC]
25	P	- [Without ICC]
26	Y	- [With ICC]
27	L	- [Without ICC]
28	SHIELD	-
29	G	-
30	LG	-
31	O	-
32	BR	-
33	W	-
34	Y	-
35	O	-
36	SB	-

36	P	-
37	Y	-
38	GR	-
39	LG	-
40	LG	-
41	V	-
42	R	-
43	G	-
44	GR	-
45	W	-
46	W	-
47	L	-
48	P	-
49	SB	-
50	BR	-
51	B	-
52	Y	-
53	O	-
54	R	-
55	SB	-
56	P	-
59	P	-
60	SB	-
61	V	-
62	P	-
63	LG	-
64	L	-
65	O	-
66	L	-
68	L	-
70	SHIELD	-
71	G	-
72	G	-
73	R	-
74	BR	-
76	L	-
77	W	-
78	Y	-
80	SB	-
81	L	-
82	W	-
83	LG	-
84	GR	-
85	G	-
86	P	-
87	W	-
88	O	-
89	LG	-
90	BR	-
91	GR	-
92	BR	-
93	SB	-
94	W	-

95	Y	-
96	W	-
100	Y	-

Connector No.	E115
Connector Name	ACCELERATOR PEDAL ACTUATOR
Connector Type	KD206FB



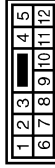
Terminal No.	Color of Wire	Signal Name [Specification]
1	R	IGNITION
2	O	BATTERY
3	P	ITS COMM-L
4	B	GND
5	L	ITS COMM-H

Connector No.	E121
Connector Name	WIRE TO WIRE
Connector Type	IM22MF-LC



Terminal No.	Color of Wire	Signal Name [Specification]
1	Y	-
2	L	-

Connector No.	E122
Connector Name	WIRE TO WIRE
Connector Type	NS12MBR-CS



Terminal No.	Color of Wire	Signal Name [Specification]
1	P	-
2	B	-
3	L	-
4	LG	-
6	Y	-
7	G	-
8	BR	-
9	O	-
10	GR	-
11	W	-
12	SB	-

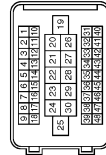
POWER SUPPLY ROUTING CIRCUIT

< DTC/CIRCUIT DIAGNOSIS >

[POWER SUPPLY & GROUND CIRCUIT]

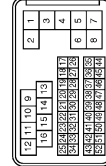
IGNITION POWER SUPPLY

Connector No.	F1
Connector Name	WIRE TO WIRE
Connector Type	SA-A38FB-RS1P-SLZZ



Terminal No.	Color of Wire	Signal Name [Specification]
19	W	-
20	GR	-
21	P	-
22	G	-
23	W	-
25	P	-
26	BR	-
27	R	-
28	R	-
29	L	-
30	Y	-
31	V	-
32	LG	-
33	GR	-
34	G	-
35	Y	-
40	O	-
41	SB	-
42	P	-
43	BR	-

Connector No.	F10
Connector Name	WIRE TO WIRE
Connector Type	SA-A38FB-RS6-SHZB



Terminal No.	Color of Wire	Signal Name [Specification]
1	SHIELD	-
2	Y	-

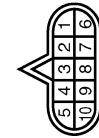
3	G	-
4	BR	-
5	B	-
6	W	-
7	R	-
8	SHIELD	-
9	W	-
10	G	-
11	Y	-
12	V	-
13	P	-
14	L	-
15	O	-
16	R	-
17	GR	-
18	G	-
19	O	-
20	R	-
21	V	-
22	B	-
23	LG	-
24	Y	-
26	O	-
27	SB	-
28	LG	-
29	P	-
30	GR	-
31	BR	-
32	G	-
33	L	-
35	P	-
36	SHIELD	-
37	Y	-
38	SHIELD	-
39	W	-
40	SHIELD	-
41	Y	-
42	SHIELD	-
43	W	-
44	LG	-
45	L	-
46	G	-
47	B	-
48	R	-
49	L	-
50	G	-
51	B	-
52	R	-

Connector No.	F43
Connector Name	COMPRESSOR
Connector Type	RS01FB



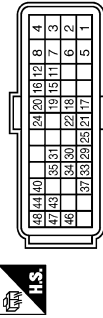
Terminal No.	Color of Wire	Signal Name [Specification]
1	Y	- [With VK engine]
1	L	- [With VQ engine]

Connector No.	F51
Connector Name	A/T ASSEMBLY
Connector Type	RK10FG-DGY



Terminal No.	Color of Wire	Signal Name [Specification]
1	Y	-
2	R	- [With VK engine]
2	BR	- [With VQ engine]
3	L	-
4	V	-
5	B	-
6	Y	-
7	R	-
8	P	-
9	LG	- [With VK engine]
9	GR	- [With VQ engine]
10	B	-

Connector No.	F101
Connector Name	ECM
Connector Type	RR40FB-R28-L-LH-Z



Terminal No.	Color of Wire	Signal Name [Specification]
1	W	AFH1
2	G	MOTOR1-1
3	R	VMOT1
4	BR	MOTOR1-2
5	GR	AFH2
6	SB	EVTCH2
7	Y	GND
8	B	GND
11	GR	IGNH4
12	L	IGNH3
15	V	IGNH3
16	G	IGNH2
17	P	OZHR1
18	W	OZCHR1
19	SB	IGNH6
20	Y	IGNH1
21	GR	EVAP
22	LG	FRR
24	BR	SSOFF
25	O	MOTRLY1
29	G	OZCHR2
30	Y	TPS1-1
31	R	TPS1-2
33	SB	OZHR2
34	L	TPS2-1
35	B	TPS2-2
37	LG	POS
40	R	GND-ATPS
43	G	AVCC-TPS
44	B	AVCC-TPS
46	R	AVCC-POS
47	Y	GND-POS
48	W	GND-INTPRES

A
B
C
D
E
F
G
H
I
J
K
L
M
N
O
P

PG

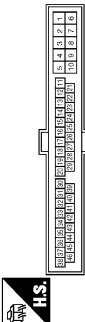
POWER SUPPLY ROUTING CIRCUIT

[POWER SUPPLY & GROUND CIRCUIT]

< DTC/CIRCUIT DIAGNOSIS >

IGNITION POWER SUPPLY

Connector No.	F103
Connector Name	WIRE TO WIRE
Connector Type	TH68FW-NH-S10



Terminal No.	Color of Wire	Signal Name [Specification]
1	SHIELD	-
2	G	-
3	W	-
4	GR	- [With VK engine]
4	R	- [With VO engine]
5	R	- [With VK engine]
5	B	- [With VO engine]
6	SHIELD	-
7	B	-
9	W	- [With VK engine]
9	Y	- [With VO engine]
10	L	- [With VK engine]
10	GR	- [With VO engine]
11	GR	-
12	GR	-
13	R	-
14	O	-
15	O	-
20	Y	-
26	BR	-
27	L	-
28	B	-
28	B	-
28	LG	-
31	R	-
34	LG	-
35	BR	-
36	W	-
37	Y	-
38	Y	-
43	P	-
44	L	-
45	Y	-
46	V	-

Connector No.	F104
Connector Name	WIRE TO WIRE
Connector Type	TH68FW-NH



Terminal No.	Color of Wire	Signal Name [Specification]
1	BR	-
2	V	-
3	L	-
4	Y	-
6	GR	-
7	LG	-
8	O	-

Connector No.	F105
Connector Name	WIRE TO WIRE
Connector Type	TH68MW-NH



Terminal No.	Color of Wire	Signal Name [Specification]
1	BR	-
2	V	-
3	L	-
4	Y	-
6	GR	-
7	LG	-
8	O	-

Connector No.	F151
Connector Name	TOMI (TRANSMISSION CONTROL MODULE)
Connector Type	SP10FG



Terminal No.	Color of Wire	Signal Name [Specification]
1	W	VGN
2	B	BATT
3	R	CAN-H
4	O	K LINE
5	G	GND
6	GR	VGN
7	L	REV LAMP RLY
8	BR	CAN-L
9	Y	START RLY
10	W/B	GND

Connector No.	M1
Connector Name	FUSE BLOCK (J/B)
Connector Type	NS36FW-M2



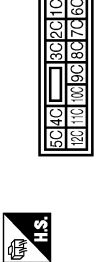
Terminal No.	Color of Wire	Signal Name [Specification]
1A	O	-
2A	G	-
3A	L	-
4A	P	-
5A	V	-
6A	Y	-
7A	R	-
8A	L	-

Connector No.	M2
Connector Name	FUSE BLOCK (J/B)
Connector Type	NS16FW-CS



Terminal No.	Color of Wire	Signal Name [Specification]
1B	LG	-
3B	P	-
4B	G	-
5B	O	-
6B	Y	-
7B	L	-
8B	R	-
9B	BR	-

Connector No.	M3
Connector Name	FUSE BLOCK (J/B)
Connector Type	NS16FW-CS



Terminal No.	Color of Wire	Signal Name [Specification]
6C	P	-
7C	B	-
9C	O	-
10C	L	-
11C	LG	-
12C	R	-

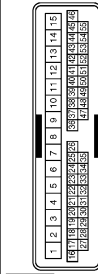
POWER SUPPLY ROUTING CIRCUIT

< DTC/CIRCUIT DIAGNOSIS >

[POWER SUPPLY & GROUND CIRCUIT]

IGNITION POWER SUPPLY

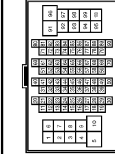
Connector No.	M5
Connector Name	WIRE TO WIRE
Connector Type	TH6DMW-CS15



Terminal No.	Color of Wire	Signal Name [Specification]
1	B	
3	SB	
6	R	
7	W	
8	G	
9	L	
10	O	
11	G	
12	V	
13	Y	
14	P	
15	L	
20	O	
21	LG	
22	V	
23	Y	
24	P	
26	SB	
27	V	
28	LG	
29	R	
30	P	
31	O	
32	SB	
33	L	
34	R	
35	B	
38	SHIELD	
39	W	
40	B	
41	G	
42	Y	
43	R	
44	G	
45	V	
46	GR	
47	W	
48	L	

49	R	-
50	O	-
51	SB	-
52	Y	-
53	LG	-
54	LG	-
55	L	-

Connector No.	M6
Connector Name	WIRE TO WIRE
Connector Type	TH6DMW-CS16-TM4



Terminal No.	Color of Wire	Signal Name [Specification]
1	G	
2	O	
3	SB	
4	LG	
5	GR	
6	W	
7	G	
8	W	
9	P	
10	BR	
11	B	
12	G	
13	R	
14	W	
15	SHIELD	
16	BR	
17	L	
18	P	
19	G	
20	GR	- [With ICC]
21	BR	- [Without ICC]
22	R	- [With ICC]
23	L	- [Without ICC]
24	L	- [With ICC]
25	Y	- [Without ICC]

25	W	- [Without ICC]
26	SHIELD	-
27	GR	-
28	V	-
29	O	-
31	BR	-
32	W	-
33	Y	-
34	L	-
35	L	-
36	P	-
37	G	-
38	R	-
39	G	-
41	L	-
42	W	-
43	R	-
44	LG	-
45	GR	-
46	W	-
47	L	-
48	P	-
49	O	-
50	LG	-
51	SB	-
52	Y	-
53	O	-
54	BR	-
55	SB	-
56	P	-
59	SB	-
60	SB	-
61	V	-
62	P	-
63	R	-
64	L	-
65	O	-
66	L	-
69	V	-
70	SHIELD	-
71	O	-
72	GR	-
73	W	-
74	SB	-
76	V	-
77	V	-
78	Y	-
80	O	-
81	L	-
82	W	-
83	Y	-
84	L	-

85	P	-
86	BR	-
87	P	-
88	V	-
89	V	-
90	G	-
91	P	-
92	R	-
93	GR	-
94	L	-
95	G	-
96	W	-
100	Y	-

A
B
C
D
E
F
G
H
I
J
K
L
PG
N
O
P

POWER SUPPLY ROUTING CIRCUIT

[POWER SUPPLY & GROUND CIRCUIT]

< DTC/CIRCUIT DIAGNOSIS >

IGNITION POWER SUPPLY

Connector No.	M7
Connector Name	WIRE TO WIRE
Connector Type	TH80MW-CS16-IM4

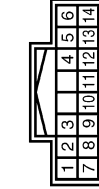


Terminal No.	Color of Wire	Signal Name [Specification]
1	G	-
2	B	-
3	W	-
5	G	-
6	P	-
7	V	-
8	O	-
9	W	-
10	W	-
11	O	-
12	B	-
13	G	-
14	R	-
15	W	-
16	SHIELD	-
17	L	-
18	P	-
19	G	-
20	R	-
21	LG	-
23	V	-
24	P	-
25	BR	-
26	GR	-
27	O	-
28	W	-
29	SHIELD	-
38	B	-
39	B	-
40	LG	-
41	G	-
42	Y	-
43	SB	-
44	W	-
45	B	-
50	B	-
51	V	-
52	LG	-

53	SHIELD	-
54	BR	-
55	Y	-
56	SHIELD	-
57	P	-
58	L	-
59	SHIELD	-
60	L	-
61	BR	-
62	R	-
63	Y	-
64	L	-
65	W	-
66	V	-
67	LG	-
68	Y	-
69	G	-
70	V	-
71	W	-
72	B	-
73	W	-
74	LG	-
75	P	-
76	LG	-
77	SB	-
78	GR	-
79	R	-
80	P	-
81	P	-
82	P	-
83	P	-
84	SB	-
85	W	-
86	Y	-
87	B	-
88	G	-
89	O	-
90	W	-
91	R	-
92	O	-
93	BR	-
94	V	-
95	Y	-
96	O	-
97	W	-
98	R	-
99	G	-
99	O	-

- [With VK engine]
- [With VQ engine]

Connector No.	M33
Connector Name	COMBINATION SWITCH
Connector Type	TH18FW-NH



Terminal No.	Color of Wire	Signal Name [Specification]
1	P	FR WASHER (-)
2	SB	OUTPUT 4
3	O	FR WASHER (+)
4	G	IGN
5	L	OUTPUT 3
6	B	GND
7	V	INPUT 3
8	O	OUTPUT 5
9	Y	INPUT 2
10	R	INPUT 4
11	LG	INPUT 1
12	P	OUTPUT 1
13	BR	INPUT 5
14	G	OUTPUT 2

Connector No.	M109
Connector Name	BLOWER MOTOR
Connector Type	NS30FW-M3



Terminal No.	Color of Wire	Signal Name [Specification]
1	L	BLOWER MOTOR POWER SUPPLY
2	L	BLOWER MOTOR CONTROL SIGNAL
3	B	SENSOR GROUND

Connector No.	M116
Connector Name	WIRE TO WIRE
Connector Type	TK38MW-NS10



Terminal No.	Color of Wire	Signal Name [Specification]
1	B	-
2	W	-
3	L	-
4	B	- [With VK engine]
4	R	- [With VQ engine]
5	R	- [With VK engine]
5	B	- [With VQ engine]
6	B	-
7	B	-
9	L	- [With VK engine]
9	R	- [With VQ engine]
10	R	-
17	LG	-
18	R	-
19	O	-
20	Y	-
26	V	-
27	L	-
28	B	-
29	LG	-
31	W	-
34	LG	-
35	BR	-
36	W	-
37	Y	-
38	O	-
43	P	-
44	L	-
45	G	-
46	Y	-

POWER SUPPLY ROUTING CIRCUIT

[POWER SUPPLY & GROUND CIRCUIT]

< DTC/CIRCUIT DIAGNOSIS >

IGNITION POWER SUPPLY

Connector No.	M117
Connector Name	WIRE TO WIRE
Connector Type	TH8DMW-CS16-TM44



Terminal No.	Color of Wire	Signal Name [Specification]
1	GR	-
2	BR	-
3	V	-
4	SB	-
6	Y	-
7	B	-
8	W	-
10	W	-
11	BR	-
12	GR	-
13	SHIELD	-
14	D	-
15	P	-
16	SHIELD	-
17	Y	-
18	Y	-
19	LG	-
20	SB	-
21	LG	-
22	B	- [With entertainment system] - [Without entertainment system]
23	GR	- [With entertainment system] - [Without entertainment system]
24	R	- [With entertainment system] - [Without entertainment system]
25	SHIELD	- [With entertainment system] - [Without entertainment system]
26	R	- [With entertainment system] - [Without entertainment system]
27	V	-
28	SHIELD	-
29	O	-
30	P	-
31	W	-
32	W	-
33	SB	-
40	V	-
41	SB	- [With ICC] - [Without ICC]
41	Y	-

42	V	- [With ICC] - [Without ICC]
42	W	- [With ICC] - [Without ICC]
43	P	- [With ICC] - [Without ICC]
44	R	- [With ICC] - [Without ICC]
45	L	- [With ICC] - [Without ICC]
46	O	- [With ICC] - [Without ICC]
46	SHIELD	- [With ICC] - [Without ICC]
47	L	- [With ICC] - [Without ICC]
47	B	- [With ICC] - [Without ICC]
48	P	- [With ICC] - [Without ICC]
48	R	- [With ICC] - [Without ICC]
49	G	- [With ICC] - [Without ICC]
49	W	- [With ICC] - [Without ICC]
50	SHIELD	-
51	O	-
52	GR	-
53	G	-
54	L	-
55	P	-
60	LG	-
61	R	-
62	SB	-
63	V	-
64	Y	-
65	BR	-
66	O	-
67	W	-
68	SHIELD	-
69	G	-
71	SB	-
72	V	-
73	V	-
74	LG	-
75	R	- [With VK engine] - [With VQ engine]
75	BR	-
76	V	-
77	LG	-
80	R	-
81	L	-
82	Y	-
83	O	-
84	W	-
85	SB	-
86	B	-
87	P	-
91	R	-
92	L	-
93	G	-
94	W	- [With VK engine] - [With VQ engine]
94	O	-

95	V	-
96	G	-
97	G	-
98	L	-
99	LG	-
100	Y	-

Connector No.	M118
Connector Name	BCM (BODY CONTROL MODULE)
Connector Type	M03FB-LC



Terminal No.	Color of Wire	Signal Name [Specification]
1	W	BAT (F/L)
2	Y	POWER WINDOW POWER SUPPLY (BAT)
3	O	POWER WINDOW POWER SUPPLY (RAP)

Connector No.	M119
Connector Name	BCM (BODY CONTROL MODULE)
Connector Type	NS16FW-CS



Terminal No.	Color of Wire	Signal Name [Specification]
4	P	INT ROOM LAMP PWR SUPPLY (BAT SAVE)
5	V	PASSENGER DOOR UNLOCK OUTPUT
7	Y	STEP LAMP OUTPUT
8	V	ALL DOOR FUEL LID LOCK OUTPUT
9	G	DRIVER DOOR FUEL LID LOCK OUTPUT
10	BR	REAR DOOR UNLOCK OUTPUT
11	R	BAT (FUSE)
13	B	GNL
15	Y	ASC IND
17	W	TURN SIGNAL RR (FRONT)
18	O	TURN SIGNAL LH (FRONT)

19	SB	ROOM LAMP TIMER
----	----	-----------------

Connector No.	M121
Connector Name	BCM (BODY CONTROL MODULE)
Connector Type	TH46FY-NH



Terminal No.	Color of Wire	Signal Name [Specification]
34	SB	LUGGAGE ROOM ANT+
35	V	LUGGAGE ROOM ANT+
38	B	BACK DOOR ANT+
39	W	BACK DOOR ANT+
47	Y	IGN RELAY (PDM/E/R) CONT
48	W	BK DOOR OPENER SW OPERATION
52	LG	STARTER RELAY CONT
61	W	BACK DOOR OPENER REQUEST SW
64	L	T KEY/WARN BUZZER (ENG ROOM)
65	O	REAR WHEEL STOP POSITION
69	LG	BACK DOOR SW
67	P	BACK DOOR OPENER SW
88	BR	REAR RH DOOR SW
89	R	REAR LH DOOR SW

A
B
C
D
E
F
G
H
I
J
K
L
N
O
P

PG

JCMWA5097GB

POWER SUPPLY ROUTING CIRCUIT

< DTC/CIRCUIT DIAGNOSIS >

[POWER SUPPLY & GROUND CIRCUIT]

IGNITION POWER SUPPLY

Connector No.	M122
Connector Name	BOM (BODY CONTROL MODULE)
Connector Type	TH40FB-NH

Terminal No.	Color of Wire	Signal Name [Specification]
72	R	ROOM ANT2-
73	G	ROOM ANT2+
74	SB	PASSENGER DOOR ANT-
75	BR	PASSENGER DOOR ANT+
76	V	DRIVER DOOR ANT-
77	LG	DRIVER DOOR ANT+
78	Y	ROOM ANT1-
79	BR	ROOM ANT1+
80	GR	NATS ANT AMP
81	W	NATS ANT AMP
82	P	IGN RELAY (F/B) CONT
83	GR	KEYLESS ENTRY RECEIVER SIGNAL
87	BR	COMBI SW INPUT 5
88	V	COMBI SW INPUT 3
89	SB	PUSH SW
90	P	CAN-L
91	L	CAN-H
92	LG	KEY SLOT TLL
93	V	ON IND
95	O	ACC RELAY CONT
96	GR	A/T SHIFT SELECTOR POWER SUPPLY
97	L	S/L CONDITION 1
98	P	S/L CONDITION 2
99	R	SHIFT P
100	GR	PASSENGER DOOR REQUEST SW
101	SB	DRIVER DOOR REQUEST SW
102	O	BLOWER FAN MOTOR RELAY CONT
103	BR	KEY/LESS ENTRY RECEIVER POWER SUPPLY
106	W	S/L UNIT POWER SUPPLY
107	LG	COMBI SW INPUT 1
108	R	COMBI SW INPUT 4
109	Y	COMBI SW INPUT 2
110	G	HAZARD SW
111	GR	S/L UNIT COMM

Connector No.	M123
Connector Name	BOM (BODY CONTROL MODULE)
Connector Type	TH40FG-NH

Terminal No.	Color of Wire	Signal Name [Specification]
112	GR	RAIN SENSOR SERIAL LINK
113	P	OPTICAL SENSOR
116	BR	STOP LAMP SW 1
118	P	STOP LAMP SW 2
119	SB	DR DOOR UNLOCK SENSOR
121	BR	KEY SLOT SW
123	W	IGN F/B
124	LG	PASSENGER DOOR SW
132	O	POWER WINDOW SW COMM
134	GR	LOCK IND
137	B	RECEIVER/SENSOR GND
138	Y	SENSOR POWER SUPPLY
140	R	SHIFT N/P
141	G	SECURITY INDICATOR OUTPUT
142	O	COMBI SW OUTPUT 5
143	P	COMBI SW OUTPUT 1
144	G	COMBI SW OUTPUT 2
145	L	COMBI SW OUTPUT 3
146	SB	COMBI SW OUTPUT 4
150	GR	DRIVER DOOR SW
151	G	REAR WINDOW DEFROGGER RELAY CONT

Connector No.	M124
Connector Name	WIRE TO WIRE
Connector Type	TH40MW-CS15

Terminal No.	Color of Wire	Signal Name [Specification]
3	Y	-

4	LG	-
5	SR	-
6	BR	-
7	G	-
8	V	-
9	LG	-
13	B	-
14	O	-
15	Y	-
19	G	-
20	LG	-
21	SHIELD	-
22	W	-
23	B	-
24	G	-
25	Y	-
26	R	-
31	O	-
32	Y	-
33	LG	-
34	SB	-
35	V	-
36	O	-
37	GR	-
38	R	- [With automatic drive positioner]
39	G	- [Without automatic drive positioner]
39	B	-
40	R	-
41	P	-
42	LG	-
43	L	-
44	Y	-
45	R	-
46	W	-

3	Y	DRI (+)
4	Y	DRI (-) DR2 (-)
5	Y	ASI (+)
6	Y	ASI (-)
11	SR	EC2S (+)
12	V	EC2S (-)
13	P	AIR BAG W/L
16	SHIELD	GND
18	P	CUTOFF TELL TALE
21	L	CAN-H
24	G	SEAT BELT
45	Y	DR2 (+)
46	P	CAN-L
47	Y	AS2 (+)
48	Y	AS2 (-)
49	L	ODS INPUT

Connector No.	M176
Connector Name	SNOW MODE SWITCH
Connector Type	TK08FW-L

Terminal No.	Color of Wire	Signal Name [Specification]
1	BR	-
2	B	-
4	Y	-
5	R	-
6	GR	-

Connector No.	M147
Connector Name	AIR BAG DIAGNOSIS SENSOR UNIT
Connector Type	TK28FY-EX-SC

Terminal No.	Color of Wire	Signal Name [Specification]
1	LG	IGN
2	B	GND

POWER SUPPLY ROUTING CIRCUIT

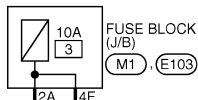
< DTC/CIRCUIT DIAGNOSIS >

[POWER SUPPLY & GROUND CIRCUIT]

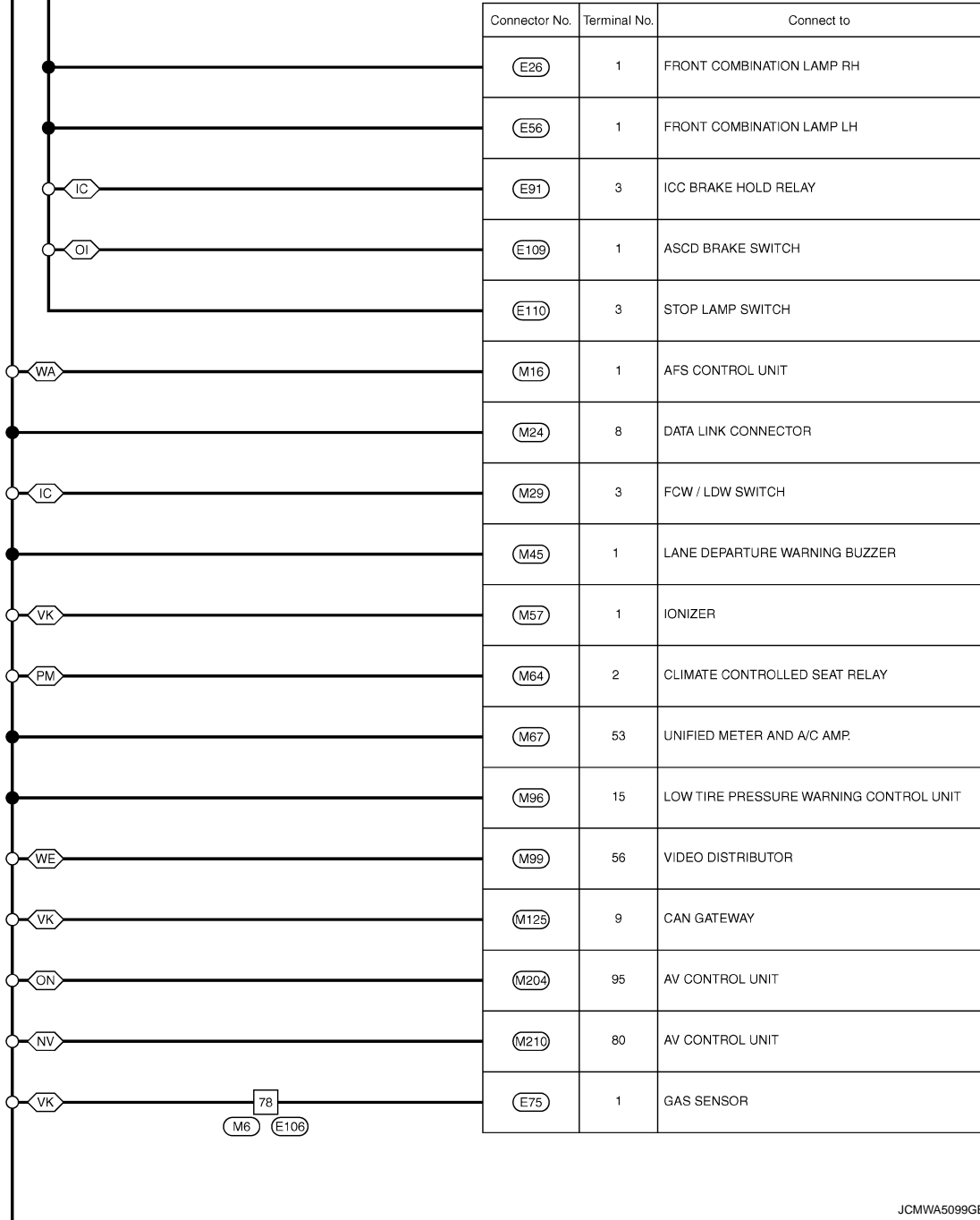
Wiring Diagram - IGNITION POWER SUPPLY FUSE No. 3 -

INFOID:000000005550381

IGNITION POWER SUPPLY FUSE No. 3



- : With VK engine
- : With ICC
- : Without ICC
- : With AFS
- : With hands free TEL
- : With entertainment system
- : With NAVI
- : Without NAVI
- : With automatic drive positioner



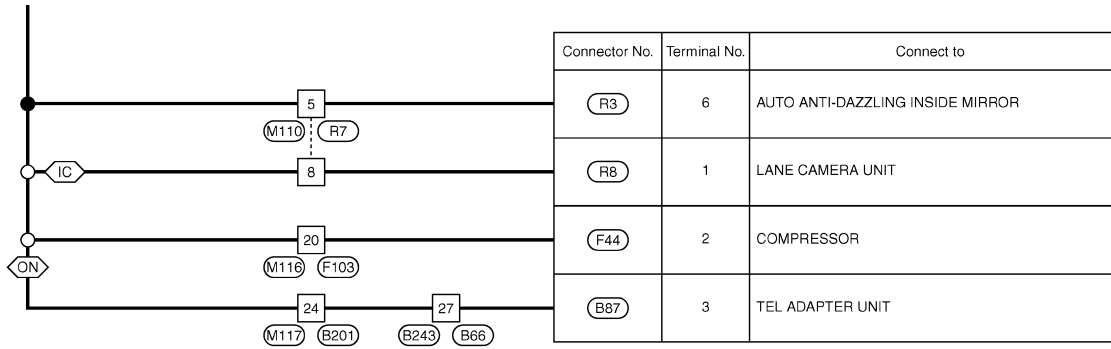
JCMWA5099GB

A
B
C
D
E
F
G
H
I
J
K
L
PG
N
O
P

POWER SUPPLY ROUTING CIRCUIT

< DTC/CIRCUIT DIAGNOSIS >

[POWER SUPPLY & GROUND CIRCUIT]



2009/07/29

JCMWA5100GB

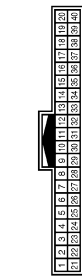
POWER SUPPLY ROUTING CIRCUIT

< DTC/CIRCUIT DIAGNOSIS >

[POWER SUPPLY & GROUND CIRCUIT]

IGNITION POWER SUPPLY FUSE No. 3

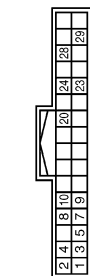
Connector No.	B86
Connector Name	WIRE TO WIRE
Connector Type	TH80MW-NH



Terminal No.	Color of Wire	Signal Name [Specification]
1	B	-
2	B	-
3	Y	-
4	LG	-
5	GR	-
6	B	-
7	SHIELD	- [With entertainment system] - [Without entertainment system]
8	P	-
9	L	-
10	SHIELD	-
11	Y	-
12	BR	-
13	SHIELD	-
14	R	-
15	G	-
16	SHIELD	-
17	Y	-
18	O	-
19	BR	-
20	B	-
21	SHIELD	-
22	SHIELD	-
23	G	-
24	P	-
25	SHIELD	-
26	L	-
27	O	- [With entertainment system] - [Without entertainment system]
28	LG	- [With entertainment system] - [Without entertainment system]
29	Y	- [With entertainment system] - [Without entertainment system]
30	LG	- [With entertainment system] - [Without entertainment system]
31	O	-
32	SHIELD	-
33	V	-
34	SB	-
35	SHIELD	-

37	B	-
38	R	-
39	W	-

Connector No.	B67
Connector Name	TEL ADAPTER UNIT
Connector Type	TH82FW-NH



Terminal No.	Color of Wire	Signal Name [Specification]
1	GR	BATTERY
2	LG	ACC
3	W	IGNITION SIGNAL
4	B	GND
5	SHIELD	SHIELD
6	SHIELD	SHIELD
7	L	MICROPHONE GND
8	Y	MICROPHONE SIGNAL
9	G	TEL VOICE SIGNAL (+)
10	B	TEL VOICE SIGNAL (-)
20	B	CONTROL SIGNAL
23	B	CONTROL SIGNAL
24	B	CONTROL SIGNAL
28	V	VEHICLE SPEED SIGNAL (8-PULSE)
29	P	MICROPHONE VCC

Connector No.	B201
Connector Name	WIRE TO WIRE
Connector Type	TH80FW-CS 16-TM4



Terminal No.	Color of Wire	Signal Name [Specification]
1	G	-
2	R	-
3	BR	-

52	R	-
53	G	-
54	L	-
55	SB	-
60	GR	-
61	LG	-
62	SB	-
63	P	-
64	BR	-
65	O	-
66	Y	-
67	W	-
68	SHIELD	-
69	G	-
71	SB	-
72	V	-
73	LG	-
74	W	-
75	BR	-
76	V	-
77	LG	-
80	O	-
81	G	-
82	P	-
83	Y	-
84	B	-
85	SB	-
86	GR	-
87	L	-
91	V	-
92	W	-
93	R	-
94	LG	-
95	GR	-
96	W	-
97	G	-
98	O	-
99	L	-
100	Y	-

4	SB	-	-
6	O	-	-
7	GR	-	-
8	W	-	-
10	G	-	-
11	BR	-	-
12	Y	-	-
13	SHIELD	-	-
14	G	-	-
15	R	-	-
16	SHIELD	-	-
17	LG	-	-
18	GR	-	-
19	V	-	-
20	SB	-	-
21	LG	-	-
22	B	-	- [With entertainment system] - [Without entertainment system]
23	W	-	- [With entertainment system] - [Without entertainment system]
24	R	-	- [With entertainment system] - [Without entertainment system]
25	SHIELD	-	- [With entertainment system] - [Without entertainment system]
26	SB	-	-
27	V	-	-
28	SHIELD	-	-
29	O	-	-
30	P	-	-
31	W	-	-
32	GR	-	-
33	SB	-	-
40	LG	-	- [With ICC] - [Without ICC]
41	SB	-	- [With ICC] - [Without ICC]
42	V	-	- [With ICC] - [Without ICC]
43	BR	-	- [With ICC] - [Without ICC]
44	R	-	-
45	G	-	- [With ICC] - [Without ICC]
46	SHIELD	-	- [With ICC] - [Without ICC]
47	L	-	- [With ICC] - [Without ICC]
48	P	-	- [With ICC] - [Without ICC]
49	G	-	- [With ICC] - [Without ICC]
50	SHIELD	-	- [With ICC] - [Without ICC]
51	W	-	-

A B C D E F G H I J K L N O P PG

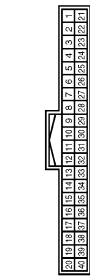
POWER SUPPLY ROUTING CIRCUIT

[POWER SUPPLY & GROUND CIRCUIT]

< DTC/CIRCUIT DIAGNOSIS >

IGNITION POWER SUPPLY FUSE No. 3

Connector No.	E243
Connector Name	WIRE TO WIRE
Connector Type	TH00PW-1H



Terminal No.	Color of Wire	Signal Name [Specification]
1	B	-
2	B	-
3	Y	-
4	LG	-
5	GR	-
6	B	-
7	SHIELD	- [With entertainment system] - [Without entertainment system]
8	R	-
9	G	-
10	SHIELD	-
11	Y	-
12	BR	-
13	SHIELD	-
14	L	-
15	P	-
16	SHIELD	-
17	R	-
18	W	-
19	B	-
21	B	-
22	SHIELD	-
23	G	-
24	P	-
25	SHIELD	-
26	L	-
27	V	- [With entertainment system] - [Without entertainment system]
28	GR	- [With entertainment system] - [Without entertainment system]
29	LG	-
30	P	-
31	O	-
32	SHIELD	-
33	V	-
34	SB	-
35	SHIELD	-
37	B	-

Connector No.	E26
Connector Name	FRONT COMBINATION LAMP RH
Connector Type	RK03FB



Terminal No.	Color of Wire	Signal Name [Specification]
1	G	-
2	SB	-
3	B	-

Connector No.	E56
Connector Name	FRONT COMBINATION LAMP LH
Connector Type	RK03FB



Terminal No.	Color of Wire	Signal Name [Specification]
1	G	-
2	O	-
3	B	-

Connector No.	E75
Connector Name	GAS SENSOR
Connector Type	RK03FB



Terminal No.	Color of Wire	Signal Name [Specification]
1	Y	AGS POWER
2	P	AGS S GND
3	W	AGS S OUTPUT

Connector No.	E81
Connector Name	ICC BRAKE HOLD RELAY
Connector Type	M08FGY-R-US



Terminal No.	Color of Wire	Signal Name [Specification]
1	L	-
2	B	-
3	G	-
4	G	-
6	W	-
7	L	-

Connector No.	E103
Connector Name	FUSE BLOCK (J/B)
Connector Type	NS10PW-CS



Terminal No.	Color of Wire	Signal Name [Specification]
1F	SB	-
2F	W	-
3F	Y	-
4F	G	-
8F	O	-
9F	R	-
10F	L	-

JCMWA5102GB

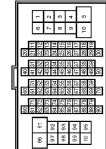
POWER SUPPLY ROUTING CIRCUIT

[POWER SUPPLY & GROUND CIRCUIT]

< DTC/CIRCUIT DIAGNOSIS >

IGNITION POWER SUPPLY FUSE No. 3

Connector No.	E106
Connector Name	WIRE TO WIRE
Connector Type	THBDPW-CS16-TM4



Terminal No.	Color of Wire	Signal Name [Specification]
1	G	-
2	O	-
3	SB	-
4	LG	-
5	Y	-
6	W	-
7	G	-
8	V	-
9	R	-
10	BR	-
11	B	-
12	G	-
13	R	-
14	W	-
15	SHIELD	-
16	SB	-
17	L	-
18	P	-
19	G	-
20	W	- [With ICC] - [Without ICC]
21	BR	-
22	R	- [With ICC] - [Without ICC]
23	G	- [With ICC] - [Without ICC]
24	L	- [With ICC] - [Without ICC]
25	Y	- [With ICC] - [Without ICC]
26	SHIELD	-
28	G	-
29	LG	-
30	O	-
31	BR	-
32	W	-
33	Y	-
34	O	-
35	SB	-

36	P	-
37	Y	-
38	GR	-
39	LG	-
41	LG	-
42	V	-
43	R	-
44	G	-
45	GR	-
46	W	-
47	L	-
48	P	-
49	SB	-
50	BR	-
51	B	-
52	Y	-
53	O	-
54	R	-
55	SB	-
56	P	-
59	G	-
60	SB	-
61	V	-
62	P	-
63	LG	-
64	L	-
65	L	-
66	O	-
68	L	-
69	L	-
70	SHIELD	-
71	G	-
72	G	-
73	R	-
74	BR	-
76	L	-
77	W	-
78	Y	-
80	SB	-
81	L	-
82	W	-
83	LG	-
84	GR	-
85	G	-
86	P	-
87	W	-
88	O	-
89	LG	-
90	BR	-
91	GR	-
92	BR	-
93	SB	-
94	W	-

95	Y	-
96	W	-
100	Y	-

Connector No.	E108
Connector Name	ASC D BRAKE SWITCH
Connector Type	MOZFBR-LC



Terminal No.	Color of Wire	Signal Name [Specification]
1	G	-
2	SB	-

Connector No.	E110
Connector Name	STOP LAMP SWITCH
Connector Type	MOZFW-LC



Terminal No.	Color of Wire	Signal Name [Specification]
1	L	-
2	W	-
3	G	-
4	BR	-

Connector No.	F44
Connector Name	COMPRESSOR
Connector Type	RK0ZFGY



Terminal No.	Color of Wire	Signal Name [Specification]
2	Y	-
3	O	-

A
B
C
D
E
F
G
H
I
J
K
L
PG
N
O
P

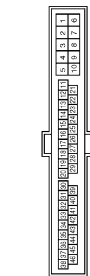
POWER SUPPLY ROUTING CIRCUIT

< DTC/CIRCUIT DIAGNOSIS >

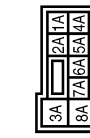
[POWER SUPPLY & GROUND CIRCUIT]

IGNITION POWER SUPPLY FUSE NO. 3

Connector No.	F103
Connector Name	WIRE TO WIRE
Connector Type	TK38FW-NS10



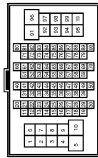
Connector No.	M1
Connector Name	FUSE BLOCK (J/B)
Connector Type	NS08FW-M2



Terminal No.	Color of Wire	Signal Name [Specification]
1	SHIELD	-
2	G	-
3	W	-
4	GR	- [With VK engine]
4	R	- [With VO engine]
5	R	- [With VK engine]
5	B	- [With VO engine]
6	SHIELD	-
7	B	-
9	W	- [With VK engine]
9	Y	- [With VO engine]
10	L	- [With VK engine]
10	GR	- [With VO engine]
11	GR	-
18	R	-
19	O	-
20	Y	-
26	BR	-
27	L	-
28	B	-
28	LG	-
31	R	-
34	LG	-
35	BR	-
36	W	-
37	Y	-
38	Y	-
43	P	-
44	L	-
45	Y	-
46	V	-

Terminal No.	Color of Wire	Signal Name [Specification]
1A	O	-
2A	G	-
3A	L	-
4A	P	-
5A	V	-
6A	Y	-
7A	R	-
8A	L	-

Connector No.	MB
Connector Name	WIRE TO WIRE
Connector Type	TH60MW-CS1F-TM4



Terminal No.	Color of Wire	Signal Name [Specification]
1	G	-
2	O	-
3	SB	-
4	LG	-
5	GR	-
6	W	-
7	G	-
8	W	-
9	P	-
10	BR	-
11	B	-
12	G	-
13	R	-
14	W	-

66	L	-
69	V	-
70	SHIELD	-
71	O	-
72	GR	-
73	W	-
74	SB	-
76	V	-
77	V	-
78	Y	-
80	O	-
81	L	-
82	W	-
83	Y	-
84	L	-
85	P	-
86	BR	-
87	P	-
88	V	-
89	G	-
90	P	-
91	R	-
92	R	-
93	GR	-
94	L	-
95	G	-
96	W	-
100	Y	-

15	SHIELD	-
16	BR	-
17	L	-
18	P	-
19	G	-
20	W	- [With ICC]
20	GR	- [Without ICC]
21	BR	- [With ICC]
21	R	- [Without ICC]
22	R	- [With ICC]
22	L	- [Without ICC]
23	G	-
24	L	- [With ICC]
24	P	- [Without ICC]
25	Y	- [With ICC]
25	W	- [Without ICC]
26	SHIELD	-
28	GR	-
29	V	-
30	O	-
31	BR	-
32	W	-
33	Y	-
34	L	-
35	L	-
36	P	-
37	G	-
38	R	-
39	G	-
41	L	-
42	W	-
43	R	-
44	LG	-
45	GR	-
46	W	-
47	L	-
48	P	-
49	O	-
50	LG	-
51	SB	-
52	Y	-
53	O	-
54	BR	-
55	SB	-
56	P	-
59	SB	-
60	SB	-
61	V	-
62	P	-
63	R	-
64	L	-
65	O	-

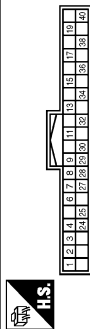
POWER SUPPLY ROUTING CIRCUIT

< DTC/CIRCUIT DIAGNOSIS >

[POWER SUPPLY & GROUND CIRCUIT]

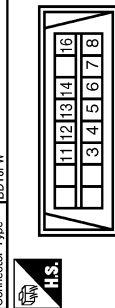
IGNITION POWER SUPPLY FUSE No. 3

Connector No.	M16
Connector Name	AFS CONTROL UNIT
Connector Type	TH4DFW-NH



Terminal No.	Color of Wire	Signal Name [Specification]
1	Y	IGN
2	LG	PSG-R
4	Y	PSV-R
6	W	HSV-R
7	P	CAN-L
8	B	HSG-R
9	GR	PS-R
11	R	SMR-1 (-)
13	B	SMR-2 (-)
15	G	SML-1 (+)
17	W	SML-2 (+)
18	SB	AMDS-R
24	V	PSV-L
25	B	IGN
27	BR	PSG-L
28	SB	HS-R
29	O	PS-L
30	L	CAN-H
32	G	SMR-2 (+)
34	W	SMR-1 (+)
36	R	SML-2 (-)
38	B	SML-1 (-)
40	O	AMDS-L

Connector No.	M24
Connector Name	DATA LINK CONNECTOR
Connector Type	BD16FW



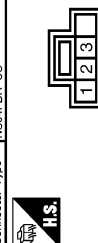
Terminal No.	Color of Wire	Signal Name [Specification]
3	LG	-
4	B	-
5	B	-
6	L	-
7	GR	-
8	G	-
11	SB	-
12	P	-
13	L	-
14	P	-
16	O	-

Connector No.	M29
Connector Name	FCW / LDW SWITCH
Connector Type	TK0BFG



Terminal No.	Color of Wire	Signal Name [Specification]
2	SB	-
3	Y	-
4	R	-
5	R	-
6	B	-
7	V	-

Connector No.	M45
Connector Name	LANE DEPARTURE WARNING BUZZER
Connector Type	NS04FBR-CS



Terminal No.	Color of Wire	Signal Name [Specification]
1	Y	-
2	Y	-
3	Y	-
5	LG	-
6	G	-
7	SB	-

2	R	-
3	B	-

Connector No.	M67
Connector Name	IGNIZER
Connector Type	TH4QFW-NH



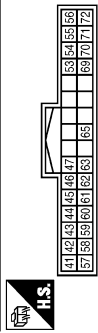
Terminal No.	Color of Wire	Signal Name [Specification]
1	Y	IGN
2	R	IGN MODE
3	BR	IGN
4	L	IGN ON OFF

Connector No.	M84
Connector Name	CLIMATE CONTROLLED SEAT RELAY
Connector Type	MD8FBR-R-LC



Terminal No.	Color of Wire	Signal Name [Specification]
1	B	-
2	Y	-
3	Y	-
5	LG	-
6	G	-
7	SB	-

Connector No.	M67
Connector Name	UNIFIED METER AND A/C AMP.
Connector Type	TH4ZFW-NH



Terminal No.	Color of Wire	Signal Name [Specification]
41	V	ACC POWER SUPPLY
42	Y	FUEL LEVEL SENSOR SIGNAL
43	R	INTAKE SENSOR SIGNAL
44	LG	IN-VEHICLE SENSOR SIGNAL
45	P	AMBIENT SENSOR SIGNAL
46	O	SUNLOAD SENSOR SIGNAL
47	V	GAS SENSOR SIGNAL
53	G	IGNITION POWER SUPPLY
54	O	BATTERY POWER SUPPLY
55	B	GROUND
56	L	CAN-H
57	W	BRAKE FLUID LEVEL SWITCH SIGNAL
58	B	FUEL LEVEL SENSOR GROUND
59	GR	INTAKE SENSOR GROUND
60	L	IN-VEHICLE SENSOR GROUND
61	BR	AMBIENT SENSOR GROUND
62	SB	SUNLOAD SENSOR GROUND
63	R	ION MODE SIGNAL
65	O	ECV SIGNAL
69	L	A/C LAN SIGNAL
70	R	EACH DOOR MOTOR POWER SUPPLY
71	B	GROUND
72	P	CAN-L

A
B
C
D
E
F
G
H
I
J
K
L
N
O
P

PG

POWER SUPPLY ROUTING CIRCUIT

< DTC/CIRCUIT DIAGNOSIS >

[POWER SUPPLY & GROUND CIRCUIT]

IGNITION POWER SUPPLY FUSE No. 3

Connector No.	M86
Connector Name	LOW TIRE PRESSURE WARNING CONTROL UNIT
Connector Type	TH32FW-NH



1	2	3	4	5	6	7	8	9	10	11	12	13	14	15	16
19	20	21	22	23	24	25	26	27	28	29	30	31	32	33	34

Terminal No.	Color of Wire	Signal Name [Specification]
1	P	CAN- (L)
2	L	CAN+ (H)
3	O	RR TUNER (SIG)
4	L	RL TUNER (SIG)
5	R	FR TUNER (SIG)
6	P	FL TUNER (SIG)
7	SB	RR TUNER (VCC)
8	R	RL TUNER (VCC)
9	GR	FR TUNER (VCC)
10	G	FL TUNER (VCC)
12	SB	SW
15	Y	IGN
18	W	RR TUNER (SSSI)
20	BR	RL TUNER (SSSI)
21	LG	FR TUNER (SSSI)
22	V	FL TUNER (SSSI)
23	B	RR TUNER (GND)
24	Y	RL TUNER (GND)
25	W	FR TUNER (GND)
26	P	FL TUNER (GND)
30	LG	BCM FLASHER
32	B	GND

Connector No.	M89
Connector Name	VIDEO DISTRIBUTOR
Connector Type	TH08FW-NH



54	56	60
53	55	

Terminal No.	Color of Wire	Signal Name [Specification]
1	B	
2	W	
3	L	

53	B	GND
54	Y	BATTERY
55	SB	ACC
56	G	IGNITION
60	P	HEADPHONE ON SIGNAL

Connector No.	MT10
Connector Name	WIRE TO WIRE
Connector Type	TH18MW-NH



1	2	3	4	5	6	7	8
9	10	11	12	13	14	15	16

Terminal No.	Color of Wire	Signal Name [Specification]
1	L	
2	P	
4	B	
5	BR	
6	GR	
7	SB	
8	LG	
9	SHIELD	
10	R	
11	G	
15	R	
16	V	

Connector No.	MT16
Connector Name	WIRE TO WIRE
Connector Type	TK38MW-NS10



1	2	3	4	5	6	7	8	9	10
11	12	13	14	15	16	17	18	19	20

Terminal No.	Color of Wire	Signal Name [Specification]
1	B	
2	W	
3	L	

4	B	- [With V6 engine]
4	R	- [With V6 engine]
5	R	- [With V6 engine]
5	B	- [With V6 engine]
6	B	-
7	B	-
9	L	- [With V6 engine]
9	R	- [With V6 engine]
10	R	-
17	LG	-
18	R	-
19	O	-
20	Y	-
26	V	-
27	L	-
28	B	-
29	LG	-
31	W	-
34	LG	-
35	BR	-
36	W	-
37	Y	-
38	O	-
43	P	-
44	L	-
45	G	-
46	Y	-

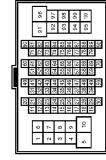
POWER SUPPLY ROUTING CIRCUIT

< DTC/CIRCUIT DIAGNOSIS >

[POWER SUPPLY & GROUND CIRCUIT]

IGNITION POWER SUPPLY FUSE No. 3

Connector No.	M117
WIRE TO WIRE	
Connector Name	TH30MW-C316-TM44
Connector Type	

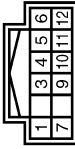


Terminal No.	Color of Wire	Signal Name [Specification]
1	GR	-
2	BR	-
3	V	-
4	SB	-
6	Y	-
7	B	-
8	W	-
10	W	-
11	BR	-
12	GR	-
13	SHIELD	-
14	B	-
15	P	-
16	SHIELD	-
17	Y	-
18	Y	-
19	LG	-
20	SB	-
21	LG	-
22	B	- [With entertainment system] - [Without entertainment system]
23	W	- [With entertainment system] - [Without entertainment system]
23	V	- [With entertainment system] - [Without entertainment system]
24	W	- [With entertainment system] - [Without entertainment system]
25	SHIELD	- [With entertainment system] - [Without entertainment system]
26	R	-
26	SB	-
27	V	-
28	SHIELD	-
29	O	-
30	P	-
31	W	-
32	W	-
33	SB	-
33	V	-
40	Y	-
41	SB	- [With ICC] - [Without ICC]
41	Y	-

Terminal No.	Color of Wire	Signal Name [Specification]
42	V	-
42	W	- [With ICC] - [Without ICC]
43	P	- [With ICC] - [Without ICC]
43	R	- [With ICC] - [Without ICC]
44	R	-
45	L	- [With ICC] - [Without ICC]
45	G	- [With ICC] - [Without ICC]
46	O	- [With ICC] - [Without ICC]
46	SHIELD	- [With ICC] - [Without ICC]
47	L	- [With ICC] - [Without ICC]
47	B	- [With ICC] - [Without ICC]
48	P	- [With ICC] - [Without ICC]
48	R	- [With ICC] - [Without ICC]
49	G	- [With ICC] - [Without ICC]
49	W	- [With ICC] - [Without ICC]
50	SHIELD	-
51	O	-
52	GR	-
53	G	-
54	L	-
55	P	-
60	LG	-
61	R	-
62	SB	-
63	V	-
64	Y	-
65	BR	-
66	O	-
67	W	-
68	SHIELD	-
69	G	-
71	SB	-
72	V	-
73	V	-
74	LG	-
75	R	- [With VK engine] - [With VQ engine]
75	BR	-
76	V	-
77	LG	-
80	R	-
81	L	-
82	Y	-
83	O	-
84	W	-
85	SB	-
86	B	-
87	P	-
91	L	-
92	L	-
93	G	-
94	W	- [With VK engine] - [With VQ engine]
94	O	-

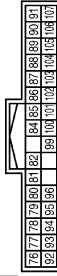
95	V	-
96	G	-
97	G	-
98	L	-
99	LG	-
100	Y	-

Connector No.	M125
Connector Name	CAN GATEWAY
Connector Type	TH12FW-NH



Terminal No.	Color of Wire	Signal Name [Specification]
1	L	CAN-H
3	GR	BATTERY
4	L	CAN-H
5	B	GND
6	L	CAN-H
7	P	CAN-L
9	LG	IGNITION
10	P	CAN-L
11	B	GND
12	P	CAN-L

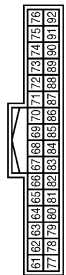
Connector No.	M204
Connector Name	AV CONTROL UNIT
Connector Type	TH32FW-NH



Terminal No.	Color of Wire	Signal Name [Specification]
76	LG	AV COMM (L)
77	SB	AV COMM (H)
78	LG	AV COMM (L)
79	SB	AV COMM (H)

80	P	CAN-L
81	L	CAN-H
82	BR	SW GND
82	SHIELD	SHIELD
87	L	TEL VOICE SIGNAL (+)
88	P	TEL VOICE SIGNAL (-)
89	R	VEHICLE SPEED SIGNAL (8-PULSE)
93	V	PARKING BRAKE SIGNAL
94	O	REVERSE SIGNAL
95	G	IGNITION SIGNAL
96	SB	DISK EJECT SIGNAL
102	B	AUX SOUND SIGNAL GND
103	W	AUX SOUND SIGNAL LH (+)
104	R	AUX SOUND SIGNAL RH (+)

Connector No.	M210
Connector Name	AV CONTROL UNIT
Connector Type	TH32FW-NH



Terminal No.	Color of Wire	Signal Name [Specification]
54	GR	DRIVER DOOR SW SIGNAL
55	V	PARKING BRAKE SIGNAL
57	B	COMPOSITE IMAGE SIGNAL GND
58	R	MICROPHONE VCC
71	SHIELD	MICROPHONE SHIELD
72	G	MICROPHONE VCC
73	R	COMM (CONT->DISP)
74	P	CAN-L
75	LG	AV COMM (L)
76	LG	AV COMM (L)
79	R	ILLUMINATION
80	G	IGNITION SIGNAL
81	O	REVERSE SIGNAL
82	R	VEHICLE SPEED SIGNAL (8-PULSE)
83	SHIELD	SHIELD
84	W	COMPOSITE IMAGE SYNC SIGNAL
87	R	MICROPHONE SIGNAL
88	SHIELD	SHIELD
89	G	COMM (DISP->CONT)
90	L	CAN-H
91	SB	AV COMM (H)
92	SB	AV COMM (H)

A B C D E F G H I J K L N O P

PG

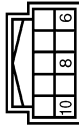
POWER SUPPLY ROUTING CIRCUIT

< DTC/CIRCUIT DIAGNOSIS >

[POWER SUPPLY & GROUND CIRCUIT]

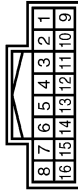
IGNITION POWER SUPPLY FUSE No. 3

Connector No.	R3
Connector Name	AUTO ANTI-DAZZLING INSIDE MIRROR
Connector Type	TH10FB-NH



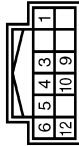
Terminal No.	Color of Wire	Signal Name [Specification]
6	BR	IGN
8	B	GND
10	GR	BAT

Connector No.	R7
Connector Name	WIRE TO WIRE
Connector Type	TH10FW-NH



Terminal No.	Color of Wire	Signal Name [Specification]
1	L	-
2	P	-
4	B	-
5	BR	-
6	GR	-
7	SB	-
8	Y	-
9	SHIELD	-
10	R	-
11	G	-
15	R	-
16	V	-

Connector No.	R8
Connector Name	LANE CAMERA UNIT
Connector Type	TH12FW-NH



Terminal No.	Color of Wire	Signal Name [Specification]
1	Y	IGNITION
3	R	BUZZER OUTPUT
4	SB	FCW/LDW ON IND
5	P	CAN-L
6	B	GND
9	V	FCW/LDW SW INPUT
10	L	CAN-H
12	B	GND

JCMWA5108GB


POWER SUPPLY ROUTING CIRCUIT

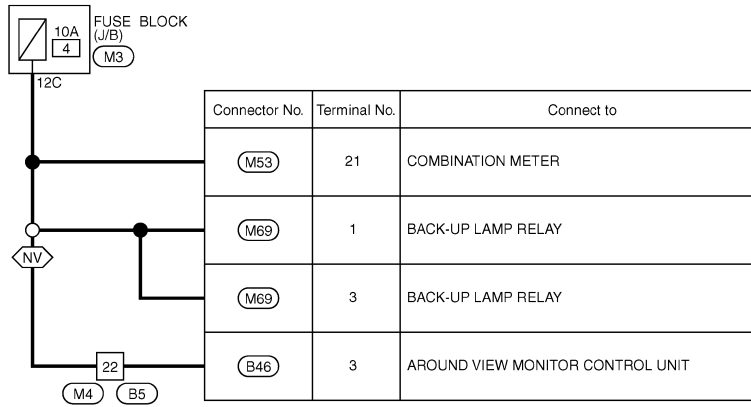
< DTC/CIRCUIT DIAGNOSIS >

[POWER SUPPLY & GROUND CIRCUIT]

Wiring Diagram - IGNITION POWER SUPPLY FUSE No. 4 - IGNITION POWER SUPPLY FUSE No. 4

INFOID:000000005550382

 : With NAVI



A
B
C
D
E
F
G
H
I
J
K
L
PG
N
O
P

2008/03/04

JCMWM2101GB

POWER SUPPLY ROUTING CIRCUIT

< DTC/CIRCUIT DIAGNOSIS >

[POWER SUPPLY & GROUND CIRCUIT]

IGNITION POWER SUPPLY FUSE No. 4

Connector No.	B5
Connector Name	WIRE TO WIRE
Connector Type	TH40FW-NH



1	2	3	4	5	6	7	8	9	10	11	12	13	14	15	16	17	18	19	20	21	22	23	24	25	26	27	28	29	30	31	32	33	34	35	36	37	38	39	40
---	---	---	---	---	---	---	---	---	----	----	----	----	----	----	----	----	----	----	----	----	----	----	----	----	----	----	----	----	----	----	----	----	----	----	----	----	----	----	----



2	3	4	5	6	7	8	9	10	11	12	13	14	15	16	17	18	19	20	21	22	23	24	25	26	27	28	29	30	31	32	33	34	35	36	37	38	39	40
---	---	---	---	---	---	---	---	----	----	----	----	----	----	----	----	----	----	----	----	----	----	----	----	----	----	----	----	----	----	----	----	----	----	----	----	----	----	----

Connector No.	B46
Connector Name	AROUND VIEW MONITOR CONTROL UNIT
Connector Type	TH40FW-NH



1	2	3	4	5	6	7	8	9	10	11	12	13	14	15	16	17	18	19	20	21	22	23	24	25	26	27	28	29	30	31	32	33	34	35	36	37	38	39	40
---	---	---	---	---	---	---	---	---	----	----	----	----	----	----	----	----	----	----	----	----	----	----	----	----	----	----	----	----	----	----	----	----	----	----	----	----	----	----	----

Connector No.	M3
Connector Name	FUSE BLOCK (J/B)
Connector Type	MS12FW-CS



1	2	3	4	5	6	7	8	9	10	11	12	13	14	15	16	17	18	19	20	21	22	23	24	25	26	27	28	29	30	31	32	33	34	35	36	37	38	39	40
---	---	---	---	---	---	---	---	---	----	----	----	----	----	----	----	----	----	----	----	----	----	----	----	----	----	----	----	----	----	----	----	----	----	----	----	----	----	----	----

29	W		
30	SHIELD		
31	R		
32	Y		
33	G		
34	R		
35	W		
36	SHIELD		
37	LG		
38	G		
39	V		

Terminal No.	Color of Wire	Signal Name [Specification]
5	B	-
6	W	-
7	R	-
8	SHIELD	-
9	LG	-
10	SB	-
11	LG	-
12	SB	-
21	Y	-
22	G	-
23	LG	-
24	R	-
25	L	-
26	R	-
27	W	-
28	W	-
29	BR	-
30	SHIELD	-
31	L	-
32	R	-
33	Y	-
34	W	-
35	BR	-
36	SHIELD	-
37	LG	-
38	G	-
39	V	-

Terminal No.	Color of Wire	Signal Name [Specification]
1	B	GND
2	Y	BATTERY
3	G	IGNITION SIGNAL
4	LG	ACC
5	R	ILLUMINATION SIGNAL
6	V	VEHICLE SPEED SIGNAL (8-PULSE)
7	O	REVERSE SIGNAL
9	B	CONTROL SIGNAL
13	B	CONTROL SIGNAL
17	SB	AV COMM (H)
18	LG	AV COMM (L)
21	SB	AV COMM (H)
22	LG	AV COMM (L)
23	LG	AUXILIARY INFARED LED (+)
24	G	AUXILIARY INFARED LED (-)
27	W	CAMERA IMAGE SIGNAL
28	SHIELD	SHIELD
29	R	SIDE CAMERA RH IMAGE SIGNAL
30	Y	SIDE CAMERA RH IMAGE GND
31	SHIELD	SHIELD
32	W	SIDE CAMERA RH GND
33	BR	SIDE CAMERA RH COMM
34	L	SIDE CAMERA RH POWER SUPPLY
35	W	REAR CAMERA COMM
36	G	REAR CAMERA POWER SUPPLY
37	SHIELD	SHIELD
38	L	REAR CAMERA GND
39	Y	REAR CAMERA IMAGE SIGNAL
40	BR	REAR CAMERA IMAGE GND

Terminal No.	Color of Wire	Signal Name [Specification]
6C	P	-
7C	B	-
9C	O	-
10C	L	-
11C	LG	-
12C	R	-



Connector No.	M4
Connector Name	WIRE TO WIRE
Connector Type	TH40FW-NH



1	2	3	4	5	6	7	8	9	10	11	12	13	14	15	16	17	18	19	20	21	22	23	24	25	26	27	28	29	30	31	32	33	34	35	36	37	38	39	40
---	---	---	---	---	---	---	---	---	----	----	----	----	----	----	----	----	----	----	----	----	----	----	----	----	----	----	----	----	----	----	----	----	----	----	----	----	----	----	----

Connector No.	M53
Connector Name	COMBINATION METER
Connector Type	TH40FW-NH



1	2	3	4	5	6	7	8	9	10	11	12	13	14	15	16	17	18	19	20	21	22	23	24	25	26	27	28	29	30	31	32	33	34	35	36	37	38	39	40
---	---	---	---	---	---	---	---	---	----	----	----	----	----	----	----	----	----	----	----	----	----	----	----	----	----	----	----	----	----	----	----	----	----	----	----	----	----	----	----

Terminal No.	Color of Wire	Signal Name [Specification]
1	O	BATTERY POWER SUPPLY
2	LG	COMMUNICATION SIGNAL (METER->AMP)
3	GR	COMMUNICATION SIGNAL (AMP->METER)
5	B	GROUND
6	W	ALTERNATOR SIGNAL
7	P	AIR PUMP SIGNAL
10	G	SECURITY INDICATOR SIGNAL
15	B	GROUND
16	B	METER CONTROL SWITCH GROUND
21	R	IGNITION POWER SUPPLY
22	B	GROUND
24	BR	COMMUNICATION SIGNAL (LCD->AMP)
25	Y	COMMUNICATION SIGNAL (AMP->LCD)
26	R	VEHICLE SPEED SIGNAL (8-PULSE)
27	V	PARKING BRAKE SWITCH SIGNAL
28	W	BRAKE FLUID LEVEL SWITCH SIGNAL
29	SB	SEAT BELT BUCKLE SW (DRIVER SIDE)
30	G	PASSENGER SEAT BELT WARNING SIGNAL
31	L	WASHER LEVEL SWITCH SIGNAL
34	O	ILL COGN OUT
36	LG	SELECT SWITCH SIGNAL
37	SB	ENTER SWITCH SIGNAL
38	L	TRIP A/B RESET SWITCH SIGNAL
39	P	ILLUMINATION CONTROL SWITCH SIGNAL (A)
40	O	ILLUMINATION CONTROL SWITCH SIGNAL (B)

Terminal No.	Color of Wire	Signal Name [Specification]
5	B	-
6	W	-
7	R	-
8	SHIELD	-
9	LG	-
10	S5	-
11	LG	-
12	S5	-
21	Y	-
22	R	-
23	V	-
24	R	-
25	R	-
26	Y	-
27	G	-
28	B	-

JCMWA5109GB

POWER SUPPLY ROUTING CIRCUIT

< DTC/CIRCUIT DIAGNOSIS >

[POWER SUPPLY & GROUND CIRCUIT]

A
B
C
D
E
F
G
H
I
J
K
L
N
O
P

IGNITION POWER SUPPLY FUSE No. 4

Connector No.	M68
Connector Name	BACK-UP LAMP RELAY
Connector Type	MS2FL-MZ-LC



Terminal No.	Color of Wire	Signal Name (Specification)
1	R	-
2	W	-
3	R	-
5	O	-

JCMWA5110GB

PG

POWER SUPPLY ROUTING CIRCUIT

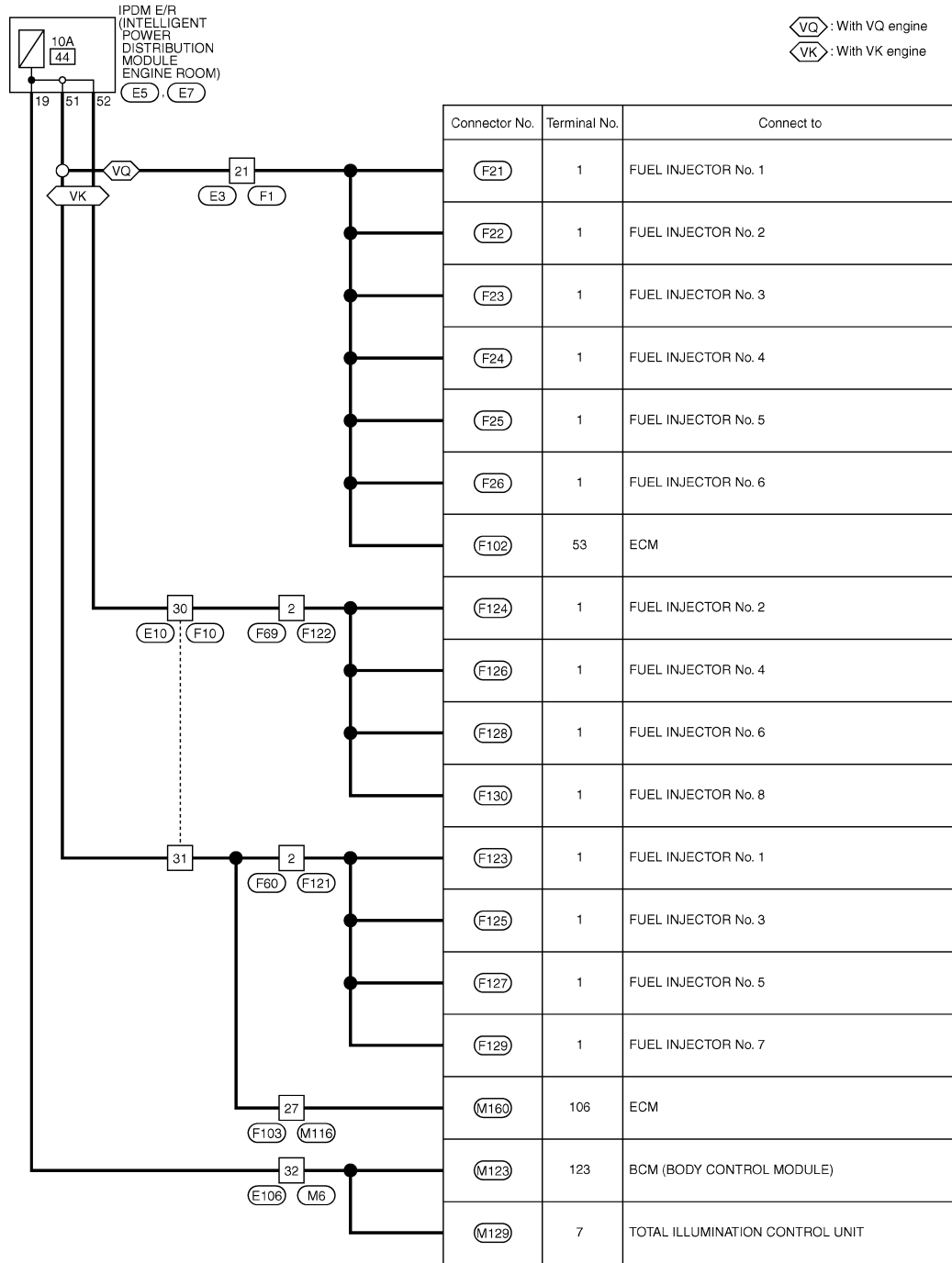
< DTC/CIRCUIT DIAGNOSIS >

[POWER SUPPLY & GROUND CIRCUIT]

Wiring Diagram - IGNITION POWER SUPPLY FUSE No. 44 -

INFOID:000000005550383

IGNITION POWER SUPPLY FUSE No. 44



2008/03/04

JCMWM2103GB

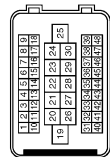
POWER SUPPLY ROUTING CIRCUIT

< DTC/CIRCUIT DIAGNOSIS >

[POWER SUPPLY & GROUND CIRCUIT]

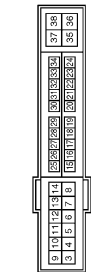
IGNITION POWER SUPPLY FUSE No. 44

Connector No.	E3
Connector Name	WIRE TO WIRE
Connector Type	SAA38MB-RS10-SLZ2



Terminal No.	Color of Wire	Signal Name [Specification]
19	W	-
20	GR	-
21	G	-
22	LG	-
23	W	-
25	BR	-
26	BR	-
27	R	-
28	R	-
29	L	-
30	V	-
31	LG	-
32	L	-
33	P	-
34	G	-
35	Y	-
40	O	-
41	W	-
42	V	-
43	W	-

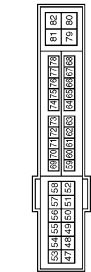
Connector No.	E5
Connector Name	IPDME/R INTELLIGENT POWER DISTRIBUTION MODULE (ENGINE ROOM)
Connector Type	TH20PW-CS12-M4-IV



Terminal No.	Color of Wire	Signal Name [Specification]
4	V	-
3	L	-

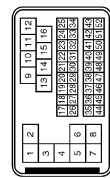
Terminal No.	Color of Wire	Signal Name [Specification]
7	R	-
10	SR	-
11	BR	-
12	R	-
13	Y	-
16	LG	-
19	W	-
25	G	-
26	R	-
27	Y	-
28	O	-
30	GR	-
32	SB	-
33	P	-
36	G	-

Connector No.	E7
Connector Name	IPDME/R INTELLIGENT POWER DISTRIBUTION MODULE (ENGINE ROOM)
Connector Type	TH20PW-CS12-M4



Terminal No.	Color of Wire	Signal Name [Specification]
48	L	-
49	W	- [With VK engine]
51	G	- [With VG engine]
52	W	-
53	W	-
54	R	-
55	BR	-
56	O	- [With VK engine]
57	V	- [With VG engine]
58	Y	-
69	W	-
70	O	-
74	G	-
75	Y	-
76	P	- [With VK engine]
78	V	- [With VG engine]
77	B	- [With VK engine]
77	L	- [With VG engine]
80	W	-

Connector No.	E10
Connector Name	WIRE TO WIRE
Connector Type	SAA38MB-RS8-SH28



Terminal No.	Color of Wire	Signal Name [Specification]
1	SHIELD	-
2	L	-
3	G	-
4	BR	-
5	G	-
6	BR	-
7	W	-
8	SHIELD	-
9	W	-
10	W	-
11	W	-
12	W	-
13	R	-
14	LG	-
15	O	-
16	W	-
17	P	-
18	W	-
19	W	-
20	BR	-
21	SB	-
22	W	-
23	V	-
24	Y	-
26	LG	-
27	G	-
28	GR	-
29	P	-
30	W	-
31	G	-
32	L	-
33	O	-
35	R	-
36	SHIELD	-
37	Y	-
38	SHIELD	-
39	W	-
40	SHIELD	-

41	Y	-
42	SHIELD	-
43	W	-
44	G	-
45	L	-
46	G	-
47	B	-
48	R	-
49	L	-
50	G	-
51	B	-
52	R	-

A B C D E F G H I J K L N O P PG

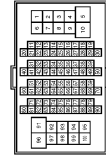
POWER SUPPLY ROUTING CIRCUIT

< DTC/CIRCUIT DIAGNOSIS >

[POWER SUPPLY & GROUND CIRCUIT]

IGNITION POWER SUPPLY FUSE No. 44

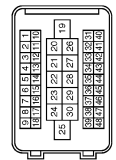
Connector No.	E106
Connector Name	WIRE TO WIRE
Connector Type	THBDFW-CS16-TM4



Terminal No.	Color of Wire	Signal Name [Specification]
1	G	-
2	O	-
3	SB	-
4	LG	-
5	Y	-
6	W	-
7	G	-
8	V	-
9	R	-
10	BR	-
11	B	-
12	G	-
13	R	-
14	W	-
15	SHIELD	-
16	SB	-
17	L	-
18	P	-
19	G	-
20	W	- [With ICC] - [Without ICC]
21	BR	- [With ICC] - [Without ICC]
22	R	- [With ICC] - [Without ICC]
23	G	-
24	L	- [With ICC] - [Without ICC]
25	Y	- [With ICC] - [Without ICC]
26	L	- [Without ICC]
28	G	-
29	LG	-
30	O	-
31	BR	-
32	W	-
33	Y	-
34	O	-
35	SB	-

95	Y	-
96	W	-
100	Y	-

Connector No.	FI
Connector Name	WIRE TO WIRE
Connector Type	SA436FB-FS-D-SJ22



Terminal No.	Color of Wire	Signal Name [Specification]
19	W	-
20	GR	-
21	P	-
22	G	-
23	W	-
25	P	-
26	BR	-
27	R	-
28	R	-
29	L	-
30	Y	-
31	V	-
32	LG	-
33	GR	-
34	G	-
35	Y	-
40	O	-
41	SB	-
42	P	-
43	BR	-

36	P	-
37	Y	-
38	GR	-
39	LG	-
41	LG	-
42	V	-
43	R	-
44	G	-
45	GR	-
46	W	-
47	L	-
48	P	-
49	SB	-
50	BR	-
51	B	-
52	Y	-
53	O	-
54	R	-
55	SB	-
56	P	-
59	P	-
60	SB	-
61	V	-
62	P	-
63	LG	-
64	L	-
65	O	-
66	L	-
68	L	-
70	SHIELD	-
71	G	-
72	G	-
73	R	-
74	BR	-
76	L	-
77	W	-
78	Y	-
80	SB	-
81	L	-
82	W	-
83	LG	-
84	GR	-
85	G	-
86	P	-
87	W	-
88	O	-
89	LG	-
90	BR	-
91	GR	-
92	BR	-
93	SB	-
94	W	-

JCMWA5112GB

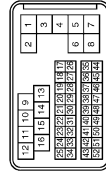
POWER SUPPLY ROUTING CIRCUIT

< DTC/CIRCUIT DIAGNOSIS >

[POWER SUPPLY & GROUND CIRCUIT]

IGNITION POWER SUPPLY FUSE No. 44

Connector No.	F10
Connector Name	WIRE TO WIRE
Connector Type	SA-A3FB-RS-SH23



Terminal No.	Color of Wire	Signal Name [Specification]
1	SHIELD	-
2	Y	-
3	G	-
4	BR	-
5	B	-
6	W	-
7	R	-
8	SHIELD	-
9	W	-
10	G	-
11	Y	-
12	V	-
13	P	-
14	L	-
15	O	-
16	R	-
17	GR	-
18	G	-
19	O	-
20	R	-
21	V	-
22	B	-
23	LG	-
24	Y	-
26	O	-
27	SB	-
28	LG	-
29	P	-
30	GR	-
31	BR	-
32	G	-
33	L	-
35	P	-
36	SHIELD	-
37	Y	-
38	SHIELD	-
39	W	-
40	SHIELD	-

41	Y	-
42	SHIELD	-
43	W	-
44	LG	-
45	L	-
46	G	-
47	B	-
48	R	-
49	L	-
50	G	-
51	B	-
52	R	-

Connector No.	F21
Connector Name	FUEL INJECTOR No. 1
Connector Type	HS02FGY



Terminal No.	Color of Wire	Signal Name [Specification]
1	P	-
2	GR	-

Connector No.	F22
Connector Name	FUEL INJECTOR No. 2
Connector Type	HS02FGY



Terminal No.	Color of Wire	Signal Name [Specification]
1	P	-
2	BR	-

Connector No.	F23
Connector Name	FUEL INJECTOR No. 3
Connector Type	HS02FGY



Terminal No.	Color of Wire	Signal Name [Specification]
1	P	-
2	R	-

Connector No.	F24
Connector Name	FUEL INJECTOR No. 4
Connector Type	HS02FGY



Terminal No.	Color of Wire	Signal Name [Specification]
1	P	-
2	O	-

Connector No.	F25
Connector Name	FUEL INJECTOR No. 5
Connector Type	HS02FGY



Terminal No.	Color of Wire	Signal Name [Specification]
1	P	-
2	W	-

Connector No.	F26
Connector Name	FUEL INJECTOR No. 6
Connector Type	HS02FGY



Terminal No.	Color of Wire	Signal Name [Specification]
1	P	-
2	V	-

Connector No.	F60
Connector Name	WIRE TO WIRE
Connector Type	RH00FB



Terminal No.	Color of Wire	Signal Name [Specification]
2	BR	-
3	O	-
4	W	-
5	R	-
6	P	-

A
B
C
D
E
F
G
H
I
J
K
L
N
O
P

PG

JCMWA5113GB

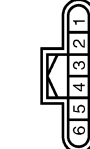
POWER SUPPLY ROUTING CIRCUIT

[POWER SUPPLY & GROUND CIRCUIT]

< DTC/CIRCUIT DIAGNOSIS >

IGNITION POWER SUPPLY FUSE No. 44

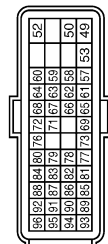
Connector No.	F69
Connector Name	WIRE TO WIRE
Connector Type	RH08FB



71	Y	TW
72	B/W	GND-A
73	W	RNK1
76	W	OSR1
77	SB	GA1+
78	CO	TO1
79	GR	GA2
80	O	OZSR2
81	R	INJ#3
82	V	INJ#6
83	R	TA-2
84	B	GND-A2-TW-TO
85	BR	INJ#2
86	W	INJ#5
87	Y	PSPRES
88	L	GND-A
89	GR	INJ#1
90	O	INJ#4
91	SB	CURSEN
92	P	GND-PHASE#2
93	P	BATT
94	LG	GND-PSPRES
95	G	GND-CURSEN
96	B	GND-A

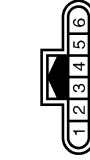
Terminal No.	Color of Wire	Signal Name [Specification]
2	GR	-
3	G	-
4	V	-
5	BR	-
6	W	-

Connector No.	F102
Connector Name	ECM
Connector Type	RH40FBR-R28-1-LH-Z



Terminal No.	Color of Wire	Signal Name [Specification]
48	L	MOTOR 2-2
50	V	MOTOR 2-1
52	R	VMOT2
53	P	IGNSW
57	L	AF+1
58	Y	E-PHASE#1
59	O	PHASE#1
60	R	AVGC-PHASE#1
61	R	AF-1
62	G	E-PHASE#2
63	SB	PHASE#2
64	W	AVGC-PHASE#2
65	V	AF+2
66	LG	AF-2
67	P	TA1
68	LG	GND(A)GA-TA
69	W	RNK2

Connector No.	F122
Connector Name	WIRE TO WIRE
Connector Type	RH08MB



Terminal No.	Color of Wire	Signal Name [Specification]
2	W	-
3	G	-
4	V	-
5	R	-
6	R	-

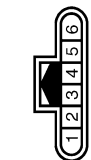
Connector No.	F123
Connector Name	FUEL INJECTOR No. 1
Connector Type	HS02FCY



Terminal No.	Color of Wire	Signal Name [Specification]
1	W	-
2	R	-

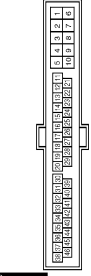
10	GR	- [With VQ engine]
17	GR	-
18	R	-
19	O	-
20	Y	-
26	BR	-
27	L	-
28	B	-
29	LG	-
31	R	-
34	LG	-
35	BR	-
36	W	-
37	Y	-
38	Y	-
43	P	-
44	L	-
45	Y	-
46	V	-

Connector No.	F121
Connector Name	WIRE TO WIRE
Connector Type	RH08MB



Terminal No.	Color of Wire	Signal Name [Specification]
2	W	-
3	O	-
4	W	-
5	R	-
6	R	-

Connector No.	F103
Connector Name	WIRE TO WIRE
Connector Type	TK36FW-NS1.0



Terminal No.	Color of Wire	Signal Name [Specification]
1	SHIELD	-
2	G	-
3	W	-
4	GR	- [With VK engine]
4	R	- [With VQ engine]
5	R	- [With VK engine]
5	B	- [With VQ engine]
6	SHIELD	-
7	B	-
8	W	- [With VK engine]
8	Y	- [With VQ engine]
10	L	- [With VK engine]

POWER SUPPLY ROUTING CIRCUIT

< DTC/CIRCUIT DIAGNOSIS >

[POWER SUPPLY & GROUND CIRCUIT]

IGNITION POWER SUPPLY FUSE No. 44

Connector No.	F124
Connector Name	FUEL INJECTOR No. 2
Connector Type	HS02FGY



Terminal No.	Color of Wire	Signal Name [Specification]
1	W	-
2	R	-

Connector No.	F125
Connector Name	FUEL INJECTOR No. 3
Connector Type	HS02FGY



Terminal No.	Color of Wire	Signal Name [Specification]
1	W	-
2	R	-

Connector No.	F126
Connector Name	FUEL INJECTOR No. 4
Connector Type	HS02FGY



Terminal No.	Color of Wire	Signal Name [Specification]
1	W	-
2	R	-

Connector No.	F127
Connector Name	FUEL INJECTOR No. 5
Connector Type	HS02FGY



Terminal No.	Color of Wire	Signal Name [Specification]
1	W	-
2	W	-

Connector No.	F128
Connector Name	FUEL INJECTOR No. 6
Connector Type	HS02FGY



Terminal No.	Color of Wire	Signal Name [Specification]
1	W	-
2	V	-

Connector No.	F129
Connector Name	FUEL INJECTOR No. 7
Connector Type	HS02FGY



Terminal No.	Color of Wire	Signal Name [Specification]
1	W	-
2	O	-

Connector No.	F130
Connector Name	FUEL INJECTOR No. 8
Connector Type	HS02FGY



Terminal No.	Color of Wire	Signal Name [Specification]
1	W	-
2	G	-

A
B
C
D
E
F
G
H
I
J
K
L
N
O
P

PG

JCMWA5115GB

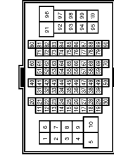
POWER SUPPLY ROUTING CIRCUIT

[POWER SUPPLY & GROUND CIRCUIT]

< DTC/CIRCUIT DIAGNOSIS >

IGNITION POWER SUPPLY FUSE No. 44

Connector No.	M16
Connector Name	WIRE TO WIRE
Connector Type	TH80MW-CS16-1M4



Terminal No.	Color of Wire	Signal Name [Specification]
35	L	-
36	P	-
37	G	-
38	R	-
39	G	-
41	G	-
42	W	-
43	R	-
44	LG	-
45	GR	-
46	W	-
47	L	-
48	P	-
49	O	-
50	LG	-
51	SB	-
52	Y	-
53	O	-
54	BR	-
55	SB	-
56	P	-
59	SB	-
60	SB	-
61	V	- [With VK engine]
62	P	- [With V2 engine]
63	R	- [With VK engine]
64	L	- [With V2 engine]
65	O	-
66	L	-
68	V	-
70	SHIELD	-
71	O	-
72	GR	-
73	W	-
74	SB	-
76	V	-
77	V	-
78	Y	-
80	O	-
81	L	-
82	W	-
83	Y	-
84	L	-
85	P	-
86	BR	-
87	P	-
88	V	-
89	G	-
90	P	-
91	R	-
92	R	-
93	GR	-

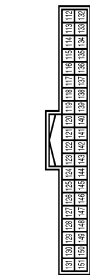
94	L	-
95	G	-
96	W	-
100	Y	-

Connector No.	M16
Connector Name	WIRE TO WIRE
Connector Type	TK38MW-NS10



Terminal No.	Color of Wire	Signal Name [Specification]
1	B	-
2	W	-
3	L	-
4	B	- [With VK engine]
4	R	- [With V2 engine]
5	R	- [With VK engine]
5	B	- [With V2 engine]
6	B	-
7	B	-
9	L	-
9	L	- [With VK engine]
9	R	- [With V2 engine]
10	R	-
17	LG	-
18	R	-
19	O	-
20	Y	-
26	V	-
27	L	-
28	B	-
29	LG	-
31	W	-
34	LG	-
35	BR	-
36	W	-
37	Y	-
38	O	-
43	P	-
44	L	-
45	G	-
46	Y	-

Connector No.	M123
Connector Name	BCM (BODY CONTROL MODULE)
Connector Type	TH40FG-NH



Terminal No.	Color of Wire	Signal Name [Specification]
112	GR	RAIN SENSOR SERIAL LINK
113	P	OPTICAL SENSOR
116	BR	STOP LAMP SW 1
118	P	STOP LAMP SW 2
119	SB	DR DOOR UNLOCK SENSOR
121	BR	KEY SLOT SW
123	W	IGN F/B
124	LG	PASSENGER DOOR SW
132	O	POWER WINDOW SW COMM
134	GR	LOCK IND
137	B	RECEIVER/SENSOR GND
138	Y	SENSOR POWER SUPPLY
140	R	SHIFT N/P
141	G	SECURITY/INDICATOR OUTPUT
142	G	COMBI SW OUTPUT 5
143	P	COMBI SW OUTPUT 1
144	G	COMBI SW OUTPUT 2
145	L	COMBI SW OUTPUT 3
146	SB	COMBI SW OUTPUT 4
150	GR	DRIVER DOOR SW
151	G	REAR WINDOW DEFOGGER RELAY CONT

JCMWA5116GB

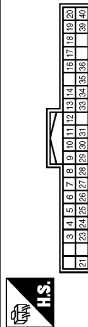
POWER SUPPLY ROUTING CIRCUIT

< DTC/CIRCUIT DIAGNOSIS >

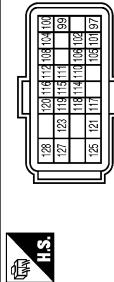
[POWER SUPPLY & GROUND CIRCUIT]

IGNITION POWER SUPPLY FUSE No. 44

Connector No.	M129
Connector Name	TOTAL ILLUMINATION CONTROL UNIT
Connector Type	TH4DFW-14H



Connector No.	M160
Connector Name	ECM
Connector Type	RN24FGY-R26-R-LH-Z



Terminal No.	Color of Wire	Signal Name [Specification]
3	V	DDL2
4	L	TAIL LAMP SIGNAL
5	V	ACC SIGNAL
6	P	BAT SAVER SIGNAL
7	W	IGN SIGNAL
8	G	DOOR SW (AS)
9	O	DOOR SW (RL)
10	SB	MOOD LAMP (FR ARMREST RH)
11	Y	MOOD LAMP (RR ARMREST RH)
12	P	MAP LAMP (AS)
13	G	PERSONAL LAMP (LH)
14	R	PERSONAL LAMP (RH)
15	GR	FOOT LAMP (RH)
16	LG	HSPL ILLUMINATIONS
17	L	MAP LAMP (DR)
18	R	PUSH ENG START SW LED
19	Y	AMBIENCE LAMP
20	R	BAT POWER SUPPLY
21	B	GND
22	B	ILL CONT INPUT
23	O	DOOR SW (RR)
24	BR	MAP LAMP SW (DOOR)
25	BR	MAP LAMP SW (ALL ON)
26	R	ROOM LAMP TIMER
27	SB	DOOR SW (DR)
28	GR	MOOD LAMP (FR ARMREST LH)
29	LG	MOOD LAMP (RR ARMREST LH)
30	W	HSPL POWER SUPPLY 3
31	R	HSPL POWER SUPPLY 2
32	V	HSPL POWER SUPPLY 1
33	L	FOOT LAMP (LH)
34	B	PUDDLE LAMP (RH)
35	O	PUDDLE LAMP (LH)

Terminal No.	Color of Wire	Signal Name [Specification]
97	R	TACHO
98	L	AVCCZ-APSZ [With ICC]
99	G	AVCCZ-APSZ [Without ICC]
100	G	AVCC-APSI [With ICC]
101	L	AVCC-APSI [Without ICC]
102	P	VEHCAN-L
103	SB	ASCDSW
104	R	APSI
105	L	VEHCAN-H
106	L	IGNSW
107	Y	APSZ [With ICC]
108	P	APSZ [Without ICC]
109	P	BRAKE
110	V	GND-ASCDSW
111	LG	FP-ONCK
112	GR	K-LINE
113	BR	GND-APSZ [With ICC]
114	GR	GND-APSZ [Without ICC]
115	GR	NEUT-H
116	G	BNGSW
117	BR	BATT
118	R	GND-APSI
119	W	TF
120	W	VBR
121	GR	GND
122	B	FCOM
123	R	ODCV
124	LG	GND
125	B	GND

JCMWA5117GB

A
B
C
D
E
F
G
H
I
J
K
L
M
N
O
P

PG

POWER SUPPLY ROUTING CIRCUIT

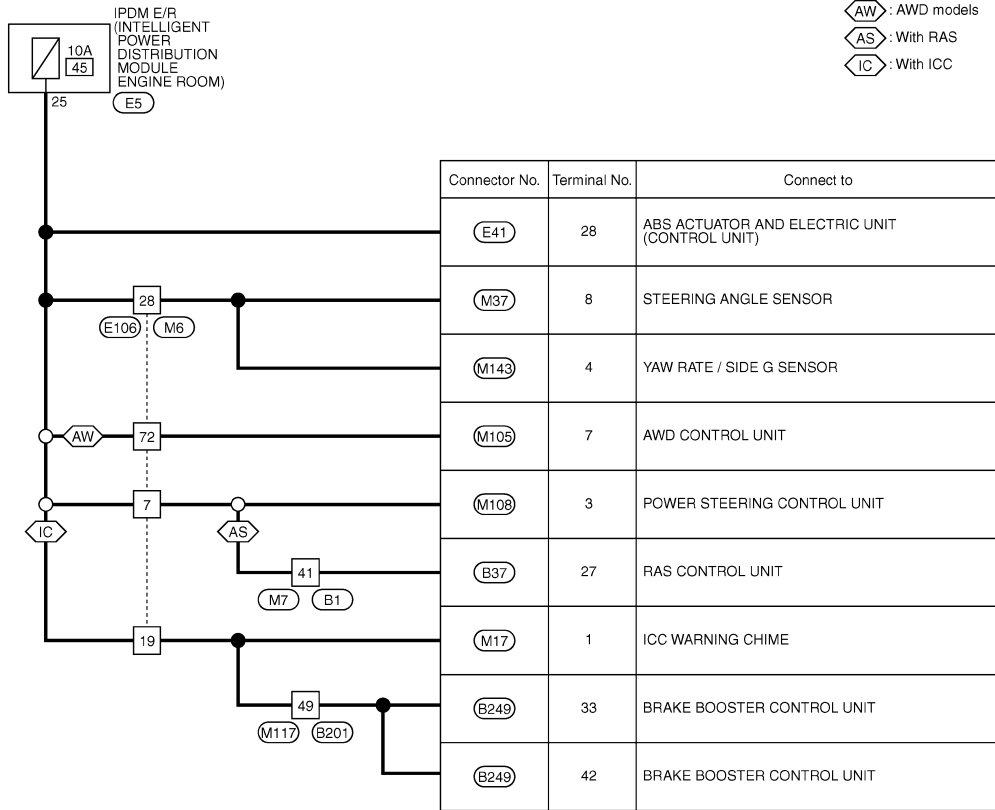
< DTC/CIRCUIT DIAGNOSIS >

[POWER SUPPLY & GROUND CIRCUIT]

Wiring Diagram - IGNITION POWER SUPPLY FUSE No. 45 -

INFOID:000000005550384

IGNITION POWER SUPPLY FUSE No. 45



2009/07/29

JCMWA5118GB

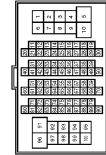
POWER SUPPLY ROUTING CIRCUIT

< DTC/CIRCUIT DIAGNOSIS >

[POWER SUPPLY & GROUND CIRCUIT]

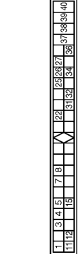
IGNITION POWER SUPPLY FUSE No. 45

Connector No.	B1
Connector Name	WIRE TO WIRE
Connector Type	THBDFW-CS16-TM4



Terminal No.	Color of Wire	Signal Name [Specification]
1	G	-
2	L	-
3	W	-
5	G	-
6	G	-
7	P	-
8	O	-
9	W	-
10	SB	-
11	SB	-
12	B	-
13	G	-
14	R	-
15	W	-
16	SHIELD	-
17	L	-
18	P	-
19	G	-
20	Y	-
21	W	-
23	V	-
24	P	-
25	BR	-
26	GR	-
27	O	-
28	W	-
29	SHIELD	-
38	B	-
39	B	-
40	LG	-
41	G	-
42	GR	-
43	SB	-
44	V	-
45	GR	-
50	B	-
51	V	-
32	SB	-

Connector No.	B37
Connector Name	FRAS CONTROL UNIT
Connector Type	A38FW-M4



Terminal No.	Color of Wire	Signal Name [Specification]
1	L	CAN-H
4	Y	R-ANG SEN MAIN SIG
5	W	R-ANG SEN VCC
7	R	R-ANG SEN SUB SIG
8	P	CAN-L
15	G	R-ANG SEN GND
22	GR	STOP LAMP SW
25	SB	R-MTR RLY
27	G	IGN
34	GR	GND
36	LG	EPS SOL+
37	P	R-MTR PWR SUPPLY
38	C/Y	R-MTR (RM)
39	C/R	R-MTR (LH)
40	B	R-MTR GND

53	SHIELD	-
54	BR	-
55	Y	-
56	SHIELD	-
57	P	-
58	L	-
59	SHIELD	-
60	L	-
61	P	-
62	GR	-
63	G	-
64	O	-
65	W	-
66	V	-
67	LG	-
68	Y	-
69	G	-
70	GR	-
71	G	-
72	B	-
73	W	-
74	V	-
75	O	-
76	LG	-
77	L	-
78	GR	-
79	W	-
80	L	-
81	P	-
82	L	-
83	P	-
84	SB	-
85	R	-
86	Y	-
87	B	-
88	G	-
89	BR	-
90	W	-
91	R	-
92	O	-
93	BR	-
94	V	-
95	Y	-
96	O	-
97	W	-
98	GR	-
99	W	-

JCMWA5119GB

A
B
C
D
E
F
G
H
I
J
K
L
PG
N
O
P

POWER SUPPLY ROUTING CIRCUIT

[POWER SUPPLY & GROUND CIRCUIT]

< DTC/CIRCUIT DIAGNOSIS >

IGNITION POWER SUPPLY FUSE No. 45

Connector No.	E201
Connector Name	WIRE TO WIRE
Connector Type	TH20PW-CS16-1M4

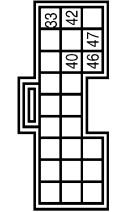


Terminal No.	Color of Wire	Signal Name [Specification]
1	G	-
2	R	-
3	BR	-
4	SB	-
6	O	-
7	GR	-
8	W	-
10	G	-
11	BR	-
12	Y	-
13	SHIELD	-
14	G	-
15	R	-
16	SHIELD	-
17	LG	-
18	GR	-
19	V	-
20	SB	-
21	LG	-
22	B	- [With entertainment system] - [Without entertainment system]
23	GR	- [With entertainment system] - [Without entertainment system]
24	W	- [With entertainment system] - [Without entertainment system]
25	SHIELD	- [With entertainment system] - [Without entertainment system]
26	V	- [With entertainment system] - [Without entertainment system]
27	V	-
28	SHIELD	-
29	O	-
30	P	-
31	W	-
32	GR	-
33	SB	-
40	LG	- [With ICC] - [Without ICC]
41	SB	- [With ICC]

41	Y	- [Without ICC] - [With ICC]
42	V	- [Without ICC] - [With ICC]
43	BR	- [Without ICC] - [With ICC]
44	R	- [Without ICC] - [With ICC]
45	G	-
46	O	- [With ICC] - [Without ICC]
47	L	- [With ICC] - [Without ICC]
48	P	- [With ICC] - [Without ICC]
49	G	- [With ICC] - [Without ICC]
50	SHIELD	- [Without ICC]
51	W	-
52	R	-
53	G	-
54	L	-
55	SB	-
60	GR	-
61	LG	-
62	SB	-
63	P	-
64	BR	-
65	O	-
66	Y	-
67	W	-
68	SHIELD	-
69	G	-
71	SB	-
72	V	-
73	LG	-
74	W	-
75	BR	-
76	V	-
77	LG	-
80	O	-
81	G	-
82	P	-
83	Y	-
84	R	-
85	SB	-
86	GR	-
87	L	-
91	V	-
92	W	-
93	R	-
94	LG	-
95	GR	-
96	W	-

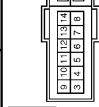
97	G	-
98	O	-
99	L	-
100	Y	-

Connector No.	E249
Connector Name	BRAKE BOOSTER CONTROL UNIT
Connector Type	TK24FGY



Terminal No.	Color of Wire	Signal Name [Specification]
33	G	IGNITION
40	SB	EBA OFF SW
42	G	IGNITION
46	B	GND
47	LG	BRAKE HOLD RLY DRIVE SIGNAL

Connector No.	EE
Connector Name	ENGINE WITH INTELLIGENT POWER DISTRIBUTION MODULE ENGINE ROOM
Connector Type	TH20PW-CS12-M4-1V



Terminal No.	Color of Wire	Signal Name [Specification]
4	V	-
5	L	-
7	R	-
10	SB	-
11	BR	-
12	B	-
13	Y	-
16	LG	-
19	W	-
25	G	-
28	R	-

27	Y	-
28	O	-
30	GR	-
32	SB	-
33	P	-
36	G	-

Connector No.	E41
Connector Name	ABS ACTUATOR AND ELECTRIC UNIT (CONTROL UNIT)
Connector Type	BAA42FB-AH24-LH



Terminal No.	Color of Wire	Signal Name [Specification]
1	B	GND
2	G	LRMR
3	R	LRVR
4	B	GND
5	Y	DS-FL
6	O	DP-RL
7	BR	DP-RR
9	B	DP-FL
10	W	DS-FR
12	L	VAG
14	P	CAN-L
15	SHIELD	AGND
19	P	UST
25	Y	BUS-L
26	R	DP-FL
27	GR	DS-RL
28	G	UZ
29	LG	DS-RR
30	SB	BLS
31	R	VDC OFF SW
35	L	CAN-H
45	B	BUS-H

POWER SUPPLY ROUTING CIRCUIT

< DTC/CIRCUIT DIAGNOSIS >

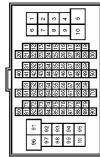
[POWER SUPPLY & GROUND CIRCUIT]

A
B
C
D
E
F
G
H
I
J
K
L
PG
N
O
P

95	Y	-
96	W	-
100	Y	-

IGNITION POWER SUPPLY FUSE No. 45

Connector No.	E106
Connector Name	WIRE TO WIRE
Connector Type	THBDPW-CS16-TM4



Terminal No.	Color of Wire	Signal Name (Specification)
1	G	-
2	O	-
3	SB	-
4	LG	-
5	Y	-
6	W	-
7	G	-
8	V	-
9	R	-
10	BR	-
11	B	-
12	G	-
13	R	-
14	W	-
15	SHIELD	-
16	SB	-
17	L	-
18	P	-
19	G	-
20	Y	- [With ICC] - [Without ICC]
21	BR	- [With ICC] - [Without ICC]
22	R	- [With ICC] - [Without ICC]
23	G	- [With ICC] - [Without ICC]
24	L	- [With ICC] - [Without ICC]
25	Y	- [With ICC] - [Without ICC]
26	SHIELD	-
28	G	-
29	LG	-
30	O	-
31	BR	-
32	W	-
33	Y	-
34	O	-
35	SB	-

36	P	-
37	Y	-
38	GR	-
39	LG	-
41	LG	-
42	V	-
43	R	-
44	G	-
45	GR	-
46	W	-
47	L	-
48	P	-
49	SB	-
50	BR	-
51	B	-
52	Y	-
53	O	-
54	R	-
55	SB	-
56	P	-
59	P	-
60	SB	-
61	V	-
62	P	-
63	LG	-
64	LG	-
65	L	-
66	O	-
68	L	-
69	L	-
70	SHIELD	-
71	G	-
72	G	-
73	R	-
74	BR	-
76	L	-
77	W	-
78	Y	-
80	SB	-
81	L	-
82	W	-
83	LG	-
84	GR	-
85	G	-
86	P	-
87	W	-
88	O	-
89	LG	-
90	BR	-
91	GR	-
92	BR	-
93	SB	-
94	W	-

POWER SUPPLY ROUTING CIRCUIT

< DTC/CIRCUIT DIAGNOSIS >

[POWER SUPPLY & GROUND CIRCUIT]

IGNITION POWER SUPPLY FUSE No. 45

Connector No.	M16
Connector Name	WIRE TO WIRE
Connector Type	TH80MW-CS16-TM4



94	L	-
95	G	-
96	W	-
100	Y	-

35	L	-
36	P	-
37	G	-
38	R	-
39	G	-
41	L	-
42	W	-
43	R	-
44	LG	-
45	GR	-
46	W	-
47	L	-
48	P	-
49	O	-
50	LG	-
51	SB	-
52	Y	-
53	O	-
54	BR	-
55	SB	-
56	P	-
59	SB	-
60	SB	-
61	V	-
62	P	-
63	R	-
64	L	-
65	O	-
66	L	-
68	V	-
70	SHIELD	-
71	O	-
72	GR	-
73	W	-
74	SB	-
76	V	-
77	V	-
78	Y	-
80	O	-
81	L	-
82	W	-
83	Y	-
84	L	-
85	P	-
86	BR	-
87	P	-
88	V	-
89	G	-
90	P	-
91	R	-
92	R	-
93	GR	-

Terminal No.	Color of Wire	Signal Name (Specification)
1	G	-
2	O	-
3	SB	-
4	LG	-
5	GR	-
6	W	-
7	G	-
8	W	-
9	P	-
10	BR	-
11	B	-
12	G	-
13	R	-
14	W	-
15	SHIELD	-
16	BR	-
17	L	-
18	P	-
19	G	-
20	W	- [With ICC]
20	GR	- [Without ICC]
21	BR	- [With ICC]
21	R	- [Without ICC]
22	R	- [With ICC]
22	L	- [Without ICC]
23	G	-
24	L	- [With ICC]
24	P	- [Without ICC]
25	Y	- [With ICC]
25	W	- [Without ICC]
26	SHIELD	-
28	GR	-
29	V	-
30	O	-
31	BR	-
32	W	-
33	Y	-
34	L	-

JCMWA5122GB

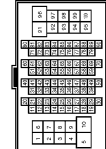
POWER SUPPLY ROUTING CIRCUIT

< DTC/CIRCUIT DIAGNOSIS >

[POWER SUPPLY & GROUND CIRCUIT]

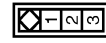
IGNITION POWER SUPPLY FUSE No. 45

Connector No.	M7
Connector Name	WIRE TO WIRE
Connector Type	TH80MW-C516-TM4



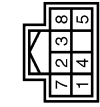
Terminal No.	Color of Wire	Signal Name [Specification]
1	G	-
2	B	-
3	W	-
5	G	-
6	P	-
7	V	-
8	O	-
9	W	-
10	W	-
11	O	-
12	B	-
13	G	-
14	R	-
15	W	-
16	SHIELD	-
17	L	-
18	P	-
19	G	-
20	R	-
21	LG	-
23	V	-
24	P	-
25	BR	-
26	GR	-
27	O	-
28	W	-
29	SHIELD	-
38	B	-
39	B	-
40	LG	-
41	G	-
42	Y	-
43	SB	-
44	W	-
45	B	-
46	B	-
50	B	-
51	V	-
52	LG	-

Connector No.	M17
Connector Name	ICC WARNING CHIME
Connector Type	AG8FW



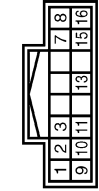
Terminal No.	Color of Wire	Signal Name [Specification]
1	G	-
3	W	-

Connector No.	M37
Connector Name	STEERING ANGLE SENSOR
Connector Type	TH08FW-NH



Terminal No.	Color of Wire	Signal Name [Specification]
1	L	CAN-H
2	P	CAN-L
7	B	GND
8	GR	IGN

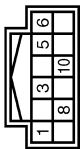
Connector No.	M05
Connector Name	AMD CONTROL UNIT
Connector Type	TH16FW-NH



Terminal No.	Color of Wire	Signal Name [Specification]			
9	10	11	13	15	16
1	2	3	7	8	

1	BR	AMD SOL (+)
2	Y	AMD SOL (-)
3	W	OIL TEMP (-)
7	GR	IGN
8	L	CAN-H
9	O	AMD SOL-BAT
10	B	GND
11	B	GND
13	LG	OIL TEMP (+)
15	Y	VB
16	P	CAN-L

Connector No.	M108
Connector Name	POWER STEERING CONTROL UNIT
Connector Type	TH12FW-NH



Terminal No.	Color of Wire	Signal Name [Specification]
1	LG	EPS-SOL+
3	G	IGN
5	B	EPS-SOL-
6	B	GND
8	L	VEHICLE SPEED (2P)
10	R	ENG TACHO

JCMWA5123GB

A
B
C
D
E
F
G
H
I
J
K
L
N
O
P

PG

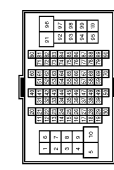
POWER SUPPLY ROUTING CIRCUIT

< DTC/CIRCUIT DIAGNOSIS >

[POWER SUPPLY & GROUND CIRCUIT]

IGNITION POWER SUPPLY FUSE No. 45

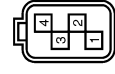
Connector No.	M117
Connector Name	WIRE TO WIRE
Connector Type	TH80MW-CS16-TM4



Terminal No.	Color of Wire	Signal Name [Specification]
1	GR	-
2	BR	-
3	V	-
4	SB	-
6	Y	-
7	B	-
8	W	-
10	W	-
11	BR	-
12	GR	-
13	SHIELD	-
14	L	-
15	P	-
16	SHIELD	-
17	Y	-
18	Y	-
19	LG	-
20	SB	-
21	LG	-
22	B	- [With entertainment system] - [Without entertainment system]
23	GR	- [With entertainment system] - [Without entertainment system]
23	V	- [With entertainment system] - [Without entertainment system]
24	R	- [With entertainment system] - [Without entertainment system]
24	W	- [With entertainment system] - [Without entertainment system]
25	SHIELD	- [With entertainment system] - [Without entertainment system]
25	R	- [With entertainment system] - [Without entertainment system]
26	SB	-
27	V	-
28	SHIELD	-
29	O	-
30	P	-
31	W	-
32	W	-
33	SB	-
40	V	-
41	SB	- [With ICC] - [Without ICC]
41	Y	- [With ICC] - [Without ICC]

95	V	-
96	G	-
97	G	-
98	L	-
99	LG	-
100	Y	-

Connector No.	M143
Connector Name	YAW RATE / SIDE G SENSOR
Connector Type	FAAZMFB



Terminal No.	Color of Wire	Signal Name [Specification]
1	B	GND
2	Y	BUS-L
3	SB	BUS-H
4	G	12V

Terminal No.	Color of Wire	Signal Name [Specification]
42	V	- [With ICC] - [Without ICC]
42	W	- [With ICC] - [Without ICC]
43	P	- [With ICC] - [Without ICC]
43	B	- [With ICC] - [Without ICC]
44	R	- [With ICC] - [Without ICC]
45	L	- [With ICC] - [Without ICC]
45	G	- [With ICC] - [Without ICC]
46	O	- [With ICC] - [Without ICC]
46	SHIELD	- [With ICC] - [Without ICC]
47	L	- [With ICC] - [Without ICC]
47	B	- [With ICC] - [Without ICC]
48	P	- [With ICC] - [Without ICC]
48	R	- [With ICC] - [Without ICC]
49	G	- [With ICC] - [Without ICC]
49	W	- [With ICC] - [Without ICC]
50	SHIELD	-
51	O	-
52	GR	-
53	G	-
54	L	-
55	P	-
60	LG	-
61	R	-
62	SB	-
63	V	-
64	Y	-
65	BR	-
66	O	-
67	W	-
68	SHIELD	-
69	G	-
71	SB	-
72	V	-
73	V	-
74	LG	-
75	R	- [With VK engine] - [With VQ engine]
75	BR	- [With VK engine] - [With VQ engine]
76	V	-
77	LG	-
80	R	-
81	L	-
82	Y	-
83	O	-
84	W	-
85	SB	-
86	B	-
87	P	-
91	L	-
92	L	-
92	G	-
94	W	- [With VK engine] - [With VQ engine]
94	O	- [With VK engine] - [With VQ engine]

POWER SUPPLY ROUTING CIRCUIT

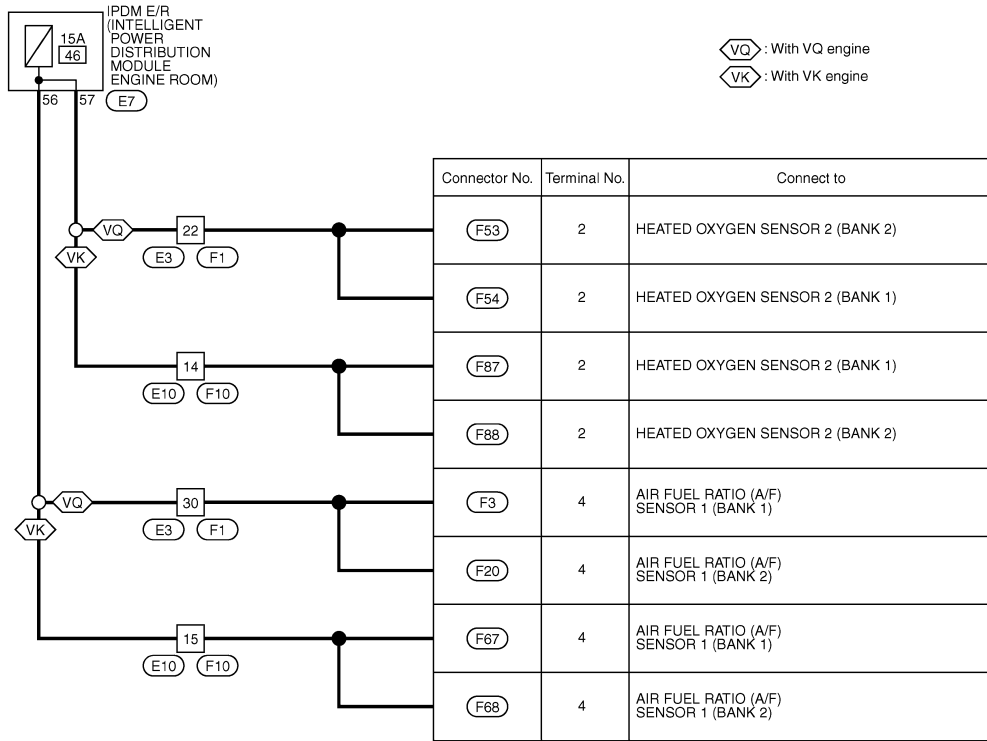
< DTC/CIRCUIT DIAGNOSIS >

[POWER SUPPLY & GROUND CIRCUIT]

Wiring Diagram - IGNITION POWER SUPPLY FUSE No. 46 -

INFOID:000000005550385

IGNITION POWER SUPPLY FUSE No. 46



2008/03/04

JCMWM2111GB

A
B
C
D
E
F
G
H
I
J
K
L
N
O
P

PG

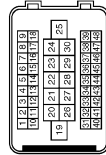
POWER SUPPLY ROUTING CIRCUIT

< DTC/CIRCUIT DIAGNOSIS >

[POWER SUPPLY & GROUND CIRCUIT]

IGNITION POWER SUPPLY FUSE No. 46

Connector No.	E3
Connector Name	WIRE TO WIRE
Connector Type	SAA38MB-RS10-SJZZ



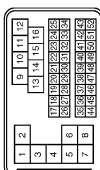
Terminal No.	Color of Wire	Signal Name [Specification]
19	W	-
20	GR	-
21	G	-
22	LG	-
23	W	-
25	BR	-
26	BR	-
27	R	-
28	R	-
29	L	-
30	V	-
31	LG	-
32	L	-
33	P	-
34	G	-
35	Y	-
40	O	-
41	W	-
42	V	-
43	W	-

Connector No.	E7
Connector Name	IPDM E/R INTELLIGENT POWER DISTRIBUTION MODULE (SHANE ROOM)
Connector Type	TH20TW-CS1Z-MA4



Terminal No.	Color of Wire	Signal Name [Specification]
48	L	-
49	W	- [With VK engine]

49	SB	- [With VQ engine]
51	G	-
52	W	-
53	W	-
54	R	-
55	BR	-
56	O	- [With VK engine]
56	V	- [With VQ engine]
57	LG	-
58	Y	-
69	W	-
70	O	-
74	G	-
75	Y	-
76	P	- [With VK engine]
76	V	- [With VQ engine]
77	B	- [With VK engine]
77	L	- [With VQ engine]
80	W	-



Connector No.	E10
Connector Name	WIRE TO WIRE
Connector Type	SAA38MB-RSS-SHZ8

Terminal No.	Color of Wire	Signal Name [Specification]
1	SHIELD	-
2	L	-
3	G	-
4	BR	-
5	G	-
6	BR	-
7	W	-
8	SHIELD	-
9	W	-
10	W	-
11	W	-
12	W	-
13	R	-
14	LG	-
15	O	-
16	W	-
17	P	-

18	W	-
19	W	-
20	BR	-
21	SB	-
22	W	-
23	V	-
24	Y	-
26	LG	-
27	G	-
28	GR	-
29	P	-
30	W	-
31	G	-
32	L	-
33	O	-
35	R	-
36	SHIELD	-
37	Y	-
38	SHIELD	-
39	W	-
40	SHIELD	-
41	Y	-
42	SHIELD	-
43	W	-
44	G	-
45	L	-
46	G	-
47	R	-
48	R	-
49	L	-
50	G	-
51	B	-
52	R	-



Connector No.	FI
Connector Name	WIRE TO WIRE
Connector Type	SAA38FB-RS10-SJZZ

Terminal No.	Color of Wire	Signal Name [Specification]
19	W	-
20	GR	-
21	P	-

22	G	-
23	W	-
25	P	-
26	BR	-
27	R	-
28	R	-
29	L	-
30	V	-
31	V	-
32	LG	-
33	GR	-
34	G	-
35	Y	-
40	O	-
41	SB	-
42	P	-
43	BR	-

Connector No.	F3
Connector Name	AIR FUEL RATIO (AF) SENSOR 1 (BANK 1)
Connector Type	AFZMFDQY



Terminal No.	Color of Wire	Signal Name [Specification]
1	L	-
2	R	-
3	W	-
4	Y	-

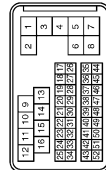
POWER SUPPLY ROUTING CIRCUIT

< DTC/CIRCUIT DIAGNOSIS >

[POWER SUPPLY & GROUND CIRCUIT]

IGNITION POWER SUPPLY FUSE No. 46

Connector No.	F10
Connector Name	WIRE TO WIRE
Connector Type	3A38FB-RS8-SH28



Terminal No.	41	42	43	44	45	46	47	48	49	50	51	52
Color of Wire	Y	SHIELD	W	LG	L	G	B	R	L	G	B	R
Signal Name [Specification]	-	-	-	-	-	-	-	-	-	-	-	-

Terminal No.	1	2	3	4	5	6	7	8	9	10	11	12	13	14	15	16	17	18	19	20	21	22	23	24	26	27	28	29	30	31	32	33	34	35	36	37	38	39	40
Color of Wire	SHIELD	Y	G	BR	B	W	R	SHIELD	W	G	Y	V	P	L	O	R	GR	G	G	O	R	V	B	LG	Y	O	LG	P	GR	BR	G	L	P	SHIELD	Y	SHIELD	W	SHIELD	
Signal Name [Specification]	-	-	-	-	-	-	-	-	-	-	-	-	-	-	-	-	-	-	-	-	-	-	-	-	-	-	-	-	-	-	-	-	-	-	-	-	-	-	-

Connector No.	FE4
Connector Name	HEATED OXYGEN SENSOR 2 (BANK 1)
Connector Type	AFZ04FB



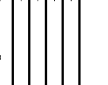
Terminal No.	1	2	3	4
Color of Wire	Y	O	G	R
Signal Name [Specification]	-	-	-	-

Connector No.	FE7
Connector Name	AIR FUEL RATIO (A/F) SENSOR 1 (BANK 1)
Connector Type	AFZ04FBR



Terminal No.	1	2	3	4
Color of Wire	B	G	P	W
Signal Name [Specification]	-	-	-	-

Connector No.	FE7
Connector Name	AIR FUEL RATIO (A/F) SENSOR 1 (BANK 1)
Connector Type	AFZ04FBR



Terminal No.	1	2	3	4
Color of Wire	B	G	P	W
Signal Name [Specification]	-	-	-	-

Connector No.	FE7
Connector Name	AIR FUEL RATIO (A/F) SENSOR 1 (BANK 1)
Connector Type	AFZ04FBR



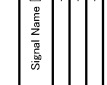
Terminal No.	1	2	3	4
Color of Wire	B	L	R	W
Signal Name [Specification]	-	-	-	-

Connector No.	FE8
Connector Name	AIR FUEL RATIO (A/F) SENSOR 1 (BANK 2)
Connector Type	AFZ04FBR



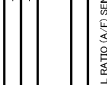
Terminal No.	1	2	3	4
Color of Wire	V	LG	Y	O
Signal Name [Specification]	-	-	-	-

Connector No.	FE8
Connector Name	AIR FUEL RATIO (A/F) SENSOR 1 (BANK 2)
Connector Type	AFZ04FBR



Terminal No.	1	2	3	4
Color of Wire	B	L	P	LG
Signal Name [Specification]	-	-	-	-

Connector No.	FE3
Connector Name	HEATED OXYGEN SENSOR 2 (BANK 2)
Connector Type	AFZ04FE



Terminal No.	1	2	3	4
Color of Wire	B	L	P	LG
Signal Name [Specification]	-	-	-	-

Connector No.	FE8
Connector Name	AIR FUEL RATIO (A/F) SENSOR 1 (BANK 2)
Connector Type	AFZ04FBR



Terminal No.	1	2	3	4
Color of Wire	B	L	P	LG
Signal Name [Specification]	-	-	-	-

JCMWA5126GB

A B C D E F G H I J K L N O P PG

POWER SUPPLY ROUTING CIRCUIT

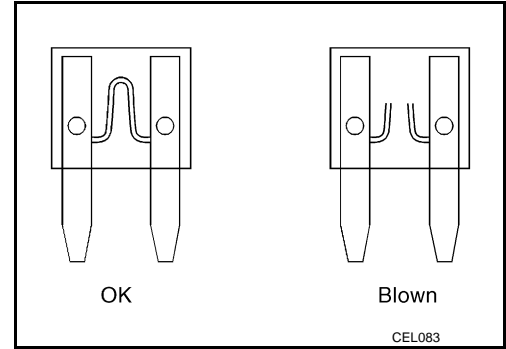
< DTC/CIRCUIT DIAGNOSIS >

[POWER SUPPLY & GROUND CIRCUIT]

Fuse

INFOID:000000005550386

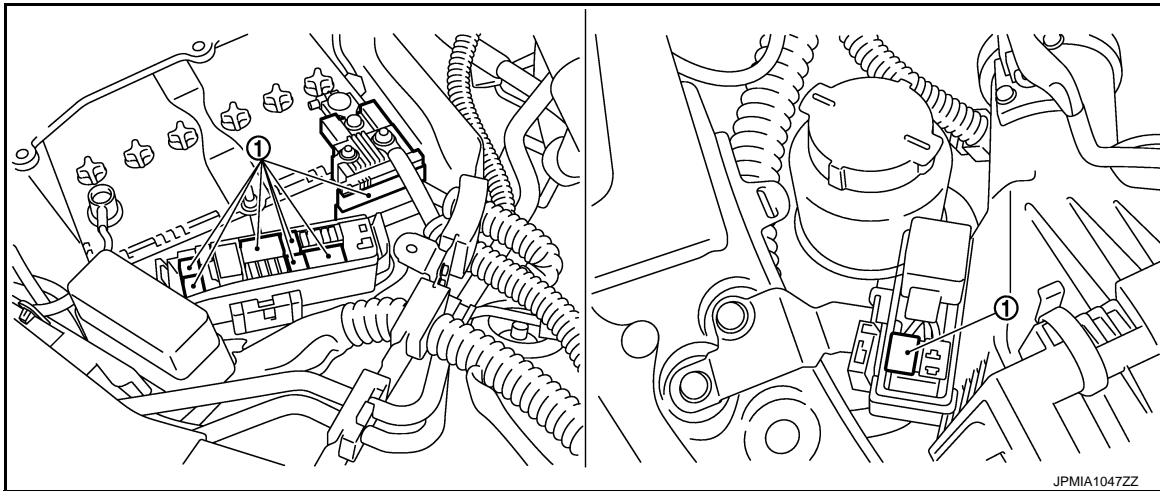
- If fuse is blown, be sure to eliminate cause of malfunction before installing new fuse.
- Use fuse of specified rating. Never use fuse of more than specified rating.
- Do not partially install fuse; always insert it into fuse holder properly.
- Remove fuse for "ELECTRICAL PARTS (BAT)" if vehicle is not used for a long period of time.



Fusible Link

INFOID:000000005550387

A melted fusible link can be detected either by visual inspection or by feeling with finger tip. If its condition is questionable, use circuit tester or test lamp.



1. Fusible link

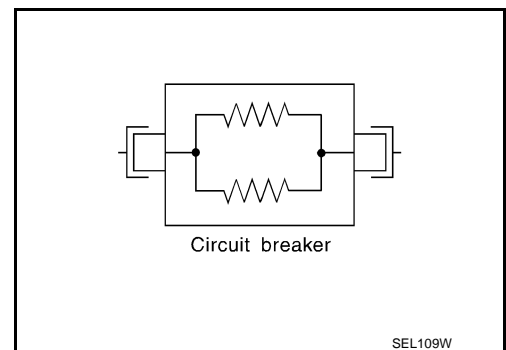
CAUTION:

- If fusible link should melt, it is possible that critical circuit (power supply or large current carrying circuit) is shorted. In such a case, carefully check and eliminate cause of malfunction.
- Never wrap outside of fusible link with vinyl tape. Important: Never let fusible link touch any other wiring harness, vinyl or rubber parts.

Circuit Breaker

INFOID:000000005550388

The PTC thermistor generates heat in response to current flow. The temperature (and resistance) of the thermistor element varies with current flow. Excessive current flow will cause the element's temperature to rise. When the temperature reaches a specified level, the electrical resistance will rise sharply to control the circuit current. Reduced current flow will cause the element to cool. Resistance falls accordingly and normal circuit current flow is allowed to resume.



OPTION HARNESS

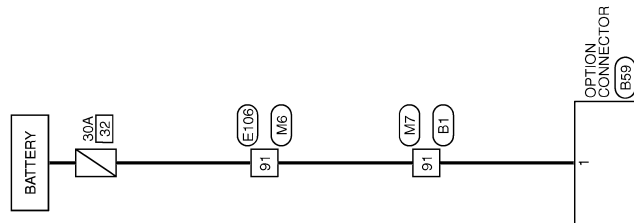
< DTC/CIRCUIT DIAGNOSIS >

[POWER SUPPLY & GROUND CIRCUIT]

OPTION HARNESS

Wiring Diagram - OPTION HARNESS -

INFOID:00000000527553



OPTION HARNESS

2009/07/29

JCMWA5007GB

A
B
C
D
E
F
G
H
I
J
K
L
N
O
P

PG

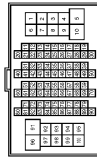
OPTION HARNESS

< DTC/CIRCUIT DIAGNOSIS >

[POWER SUPPLY & GROUND CIRCUIT]

OPTION HARNESS

Connector No.	B1
Connector Name	WIRE TO WIRE
Connector Type	TH00PW-CS16-TM4



Terminal No.	Color of Wire	Signal Name [Specification]
1	G	-
2	L	-
3	W	-
5	G	-
6	G	-
7	P	-
8	O	-
9	W	-
10	SB	-
11	SB	-
12	B	-
13	G	-
14	R	-
15	W	-
16	SHIELD	-
17	L	-
18	P	-
19	G	-
20	Y	-
21	W	-
23	V	-
24	P	-
25	BR	-
26	GR	-
27	O	-
28	W	-
29	SHIELD	-
38	B	-
39	B	-
40	LG	-
41	G	-
42	GR	-
43	SB	-
44	V	-
45	GR	-
50	B	-
51	V	-
52	SB	-

Connector No.	B59
Connector Name	OPTION CONNECTOR
Connector Type	MM1PW-LC



Terminal No.	Color of Wire	Signal Name [Specification]
1	L	-
R	R	-

Terminal No.	Color of Wire	Signal Name [Specification]
53	SHIELD	-
54	BR	-
55	Y	-
56	SHIELD	-
57	P	-
58	L	-
59	SHIELD	-
60	L	-
61	P	-
62	GR	-
63	G	-
64	O	-
65	W	-
66	V	-
67	LG	-
68	Y	-
69	G	-
70	GR	-
71	G	-
72	B	-
73	W	-
74	V	-
75	O	-
76	LG	-
77	L	-
78	GR	-
79	W	-
80	L	-
81	P	-
82	L	-
83	P	-
84	SB	-
85	R	-
86	Y	-
87	B	-
88	G	-
89	BR	-
90	W	-
91	R	-
92	O	-
93	BR	-
94	V	-
95	Y	-
96	O	-
97	W	-
98	GR	-
99	W	-

JCMWA5008GB

OPTION HARNESS

< DTC/CIRCUIT DIAGNOSIS >

[POWER SUPPLY & GROUND CIRCUIT]

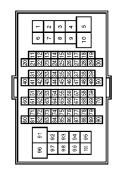
A
B
C
D
E
F
G
H
I
J
K
L
PG
N
O
P

95	Y	-
96	W	-
100	Y	-

36	P	-
37	Y	-
38	GR	-
39	LG	-
41	LG	-
42	V	-
43	R	-
44	G	-
45	GR	-
46	W	-
47	L	-
48	P	-
49	SB	-
50	BR	-
51	B	-
52	Y	-
53	O	-
54	R	-
55	SB	-
56	P	-
59	P	-
60	SB	-
61	V	-
62	P	-
63	LG	-
64	LG	-
65	L	-
66	O	-
68	L	-
69	L	-
70	SHIELD	-
71	G	-
72	G	-
73	R	-
74	BR	-
76	L	-
77	W	-
78	Y	-
80	SB	-
81	L	-
82	W	-
83	LG	-
84	GR	-
85	G	-
86	P	-
87	W	-
88	O	-
89	LG	-
90	BR	-
91	GR	-
92	BR	-
93	SB	-
94	W	-

OPTION HARNESS

Connector No.	E106
Connector Name	WIRE TO WIRE
Connector Type	THBDPW-CS16-TM4



Terminal No.	Color of Wire	Signal Name (Specification)
1	G	-
2	O	-
3	SB	-
4	LG	-
5	Y	-
6	W	-
7	G	-
8	V	-
9	R	-
10	BR	-
11	B	-
12	G	-
13	R	-
14	W	-
15	SHIELD	-
16	SB	-
17	L	-
18	P	-
19	G	-
20	Y	- [With ICC] - [Without ICC]
21	BR	- [With ICC] - [Without ICC]
22	R	- [With ICC] - [Without ICC]
23	G	- [With ICC] - [Without ICC]
24	L	- [With ICC] - [Without ICC]
24	P	- [With ICC] - [Without ICC]
25	Y	- [With ICC] - [Without ICC]
26	L	- [With ICC] - [Without ICC]
26	SHIELD	-
28	G	-
29	LG	-
30	O	-
31	BR	-
32	W	-
33	Y	-
34	O	-
35	SB	-

JCMWA5009GB

OPTION HARNESS

< DTC/CIRCUIT DIAGNOSIS >

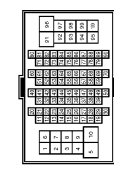
[POWER SUPPLY & GROUND CIRCUIT]

94	L	-
95	G	-
96	W	-
100	Y	-

35	L	-
36	P	-
37	G	-
38	R	-
39	G	-
41	G	-
42	W	-
43	R	-
44	LG	-
45	GR	-
46	W	-
47	L	-
48	P	-
49	O	-
50	LG	-
51	SB	-
52	Y	-
53	O	-
54	BR	-
55	SB	-
56	P	-
59	SB	-
60	SB	-
61	V	-
62	P	-
63	R	-
64	L	-
65	O	-
66	L	-
68	V	-
70	SHIELD	-
71	O	-
72	GR	-
73	W	-
74	SB	-
76	V	-
77	V	-
78	Y	-
80	O	-
81	L	-
82	W	-
83	Y	-
84	L	-
85	P	-
86	BR	-
87	P	-
88	V	-
89	G	-
90	P	-
91	R	-
92	R	-
93	GR	-

OPTION HARNESS

Connector No.	M6
Connector Name	WIRE TO WIRE
Connector Type	TH80MW-CS16-TM4



Terminal No.	Color of Wire	Signal Name (Specification)
1	G	-
2	O	-
3	SB	-
4	LG	-
5	GR	-
6	W	-
7	G	-
8	W	-
9	P	-
10	BR	-
11	B	-
12	G	-
13	R	-
14	W	-
15	SHIELD	-
16	BR	-
17	L	-
18	P	-
19	G	-
20	W	- [With ICC]
20	GR	- [Without ICC]
21	BR	- [With ICC]
21	R	- [Without ICC]
22	R	- [With ICC]
22	L	- [Without ICC]
23	G	-
24	L	- [With ICC]
24	P	- [Without ICC]
25	Y	- [With ICC]
25	W	- [Without ICC]
26	SHIELD	-
28	GR	-
29	V	-
30	O	-
31	BR	-
32	W	-
33	Y	-
34	L	-

JCMWA5010GB

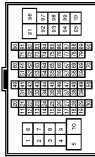
OPTION HARNESS

< DTC/CIRCUIT DIAGNOSIS >

[POWER SUPPLY & GROUND CIRCUIT]

OPTION HARNESS

Connector No.	M7
Connector Name	WIRE TO WIRE
Connector Type	TH80MW-C316-TM4



Terminal No.	Color of Wire	Signal Name [Specification]
1	G	-
2	B	-
3	W	-
5	G	-
6	P	-
7	V	-
8	O	-
9	W	-
10	W	-
11	O	-
12	B	-
13	G	-
14	R	-
15	W	-
16	SHIELD	-
17	L	-
18	P	-
19	G	-
20	R	-
21	LG	-
23	V	-
24	P	-
25	BR	-
26	GR	-
27	O	-
28	W	-
29	SHIELD	-
38	B	-
39	B	-
40	LG	-
41	G	-
42	Y	-
43	SB	-
44	W	-
45	B	-
50	B	-
51	V	-
32	LG	-

53	SHIELD	-
54	BR	-
55	Y	-
56	SHIELD	-
57	P	-
58	L	-
59	SHIELD	-
60	L	-
61	BR	-
62	R	-
63	Y	-
64	L	-
65	W	-
66	V	-
67	LG	-
68	Y	-
69	G	-
70	V	-
71	W	-
72	B	-
73	W	-
74	LG	-
75	P	-
76	LG	-
77	SB	-
78	GR	-
79	R	-
80	L	-
81	P	-
82	L	-
83	P	-
84	SB	-
85	W	-
86	Y	-
87	B	-
88	G	-
89	O	-
90	W	-
91	R	-
92	O	-
93	BR	-
94	V	-
95	Y	-
96	O	-
97	W	-
98	R	-
99	G	-
99	O	-

- [With VK engine]
- [With VG engine]

JCMWA5011GB

A
B
C
D
E
F
G
H
I
J
K
L
N
O
P

PG

HARNESS LAYOUT

< DTC/CIRCUIT DIAGNOSIS >

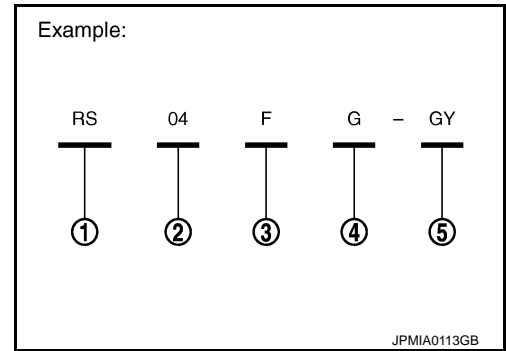
[POWER SUPPLY & GROUND CIRCUIT]

HARNESS LAYOUT

How To Read Harness Layout






INFOID:000000005550389

- 1 : Connector model
- 2 : Cavity
- 3 : Male (M) and female (F) terminals
- 4 : Connector color
- 5 : Special type



CONNECTOR SYMBOL

Main symbols of connector (in Harness Layout) are indicated in the below.

Connector type	Water proof type		Standard type	
	Male	Female	Male	Female
Connector symbol				
Ground terminal etc.	—			

JPMIA0114GB

HARNES LAYOUT

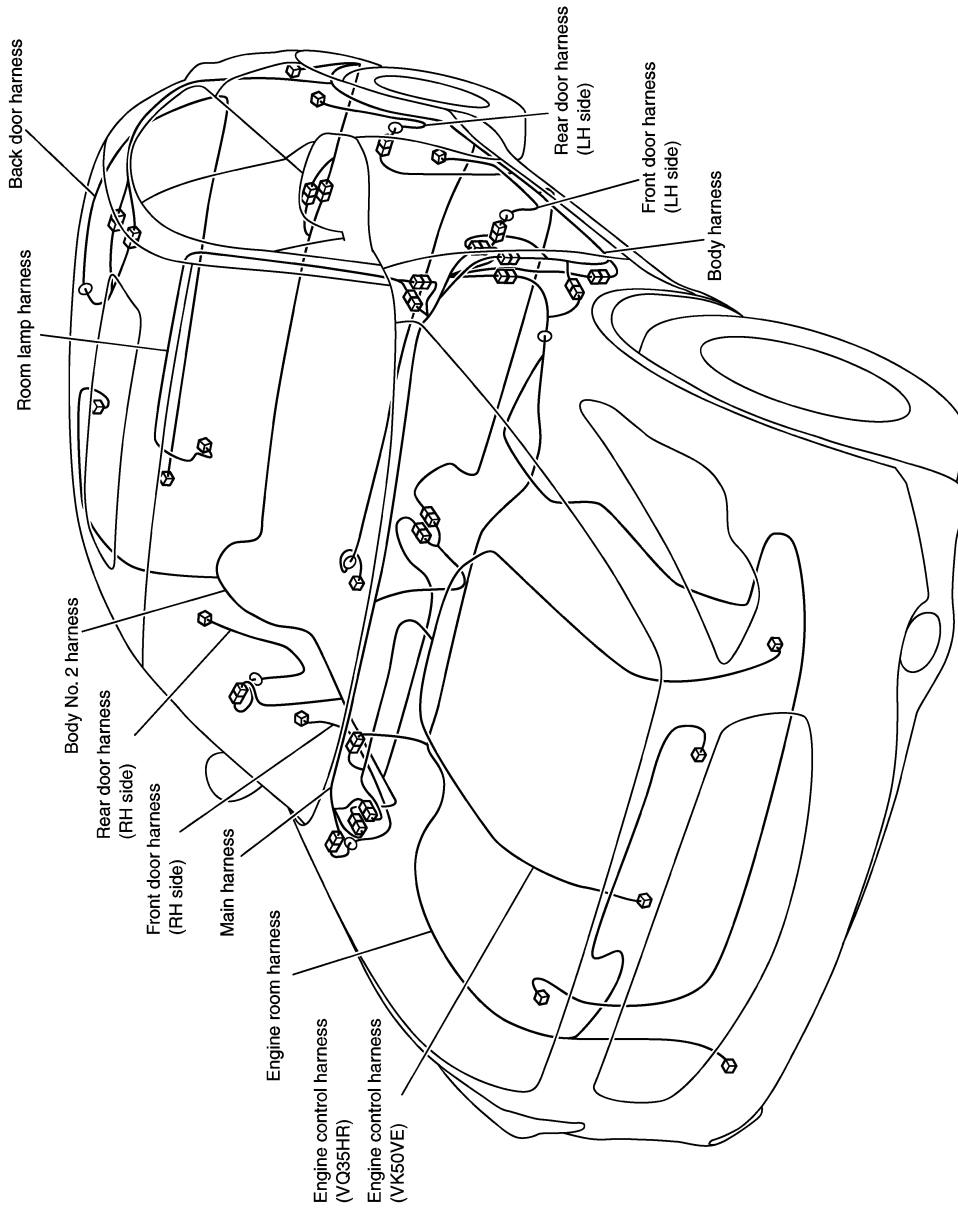
< DTC/CIRCUIT DIAGNOSIS >

[POWER SUPPLY & GROUND CIRCUIT]

Outline

INFOID:000000005550390

OUTLINE



2009/07/29

JCMIA0669GB

A
B
C
D
E
F
G
H
I
J
K
L
PG
N
O
P

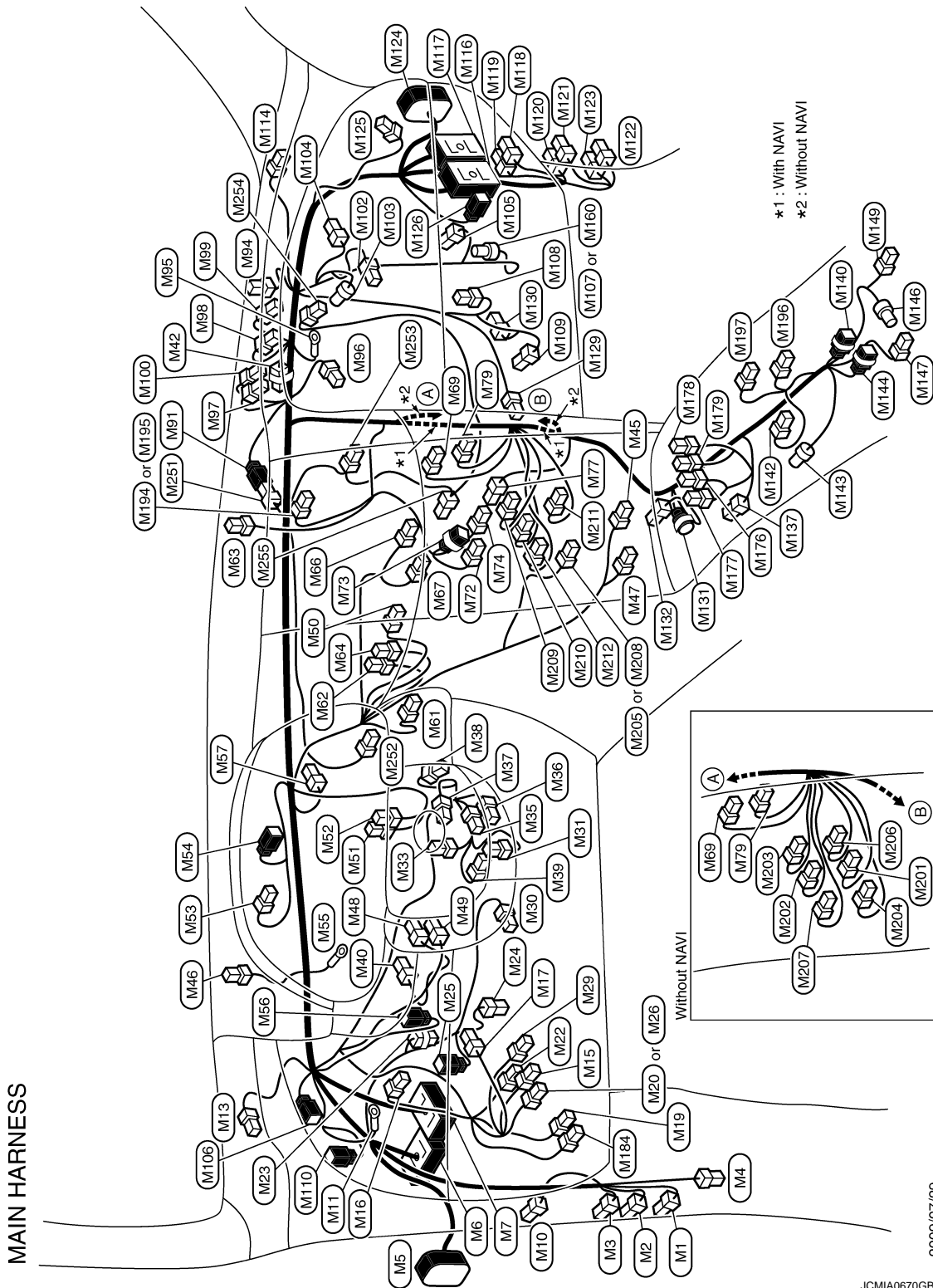
HARNES LAYOUT

< DTC/CIRCUIT DIAGNOSIS >

[POWER SUPPLY & GROUND CIRCUIT]

Main Harness

INFOID:000000005550391



MAIN HARNESS

2009/07/29

JCMIA0670GB

HARNES LAYOUT

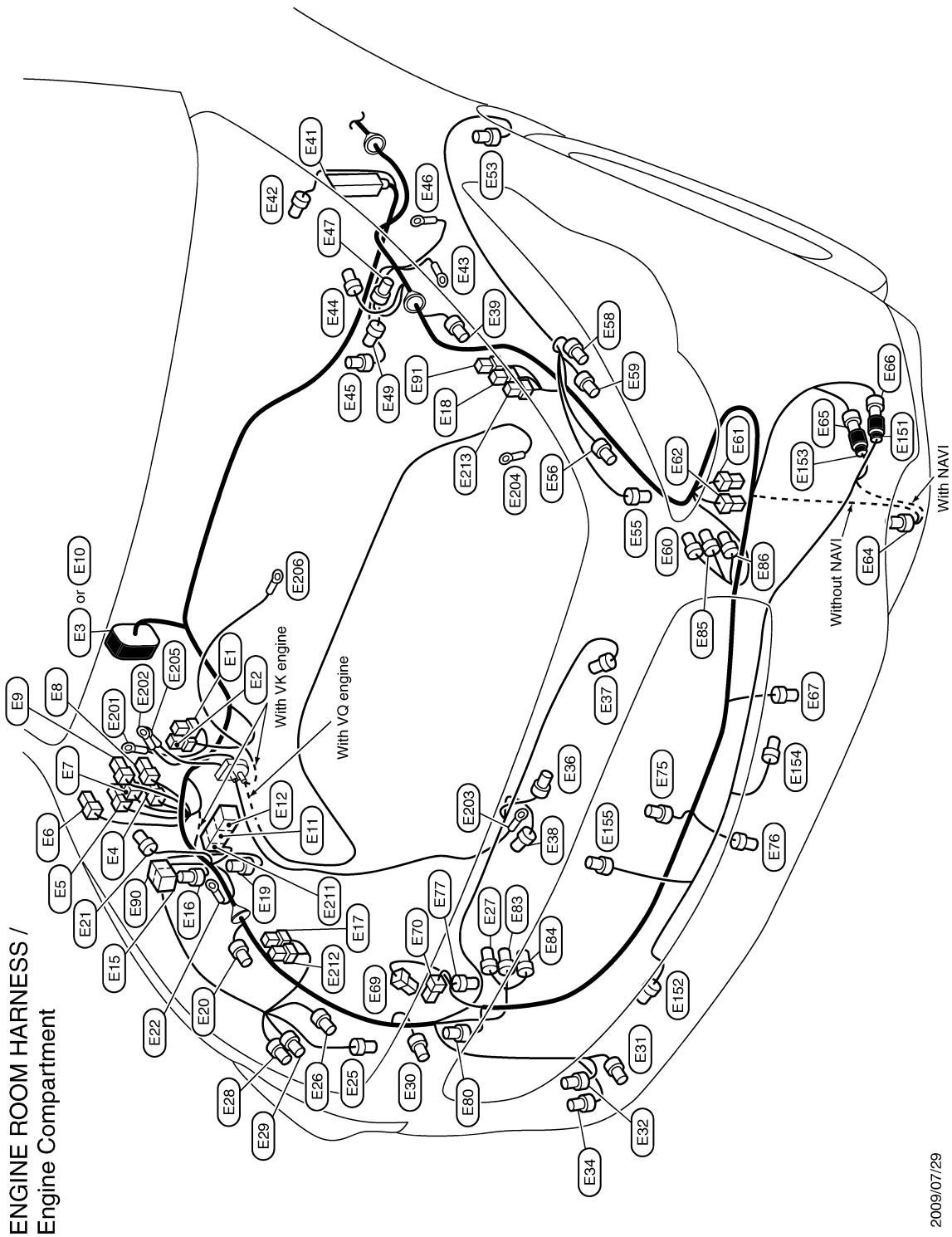
< DTC/CIRCUIT DIAGNOSIS >

[POWER SUPPLY & GROUND CIRCUIT]

Engine Room Harness

INFOID:000000005550392

ENGINE COMPARTMENT



ENGINE ROOM HARNESS /
Engine Compartment

A
B
C
D
E
F
G
H
I
J
K
L
PG
N
O
P

2009/07/29

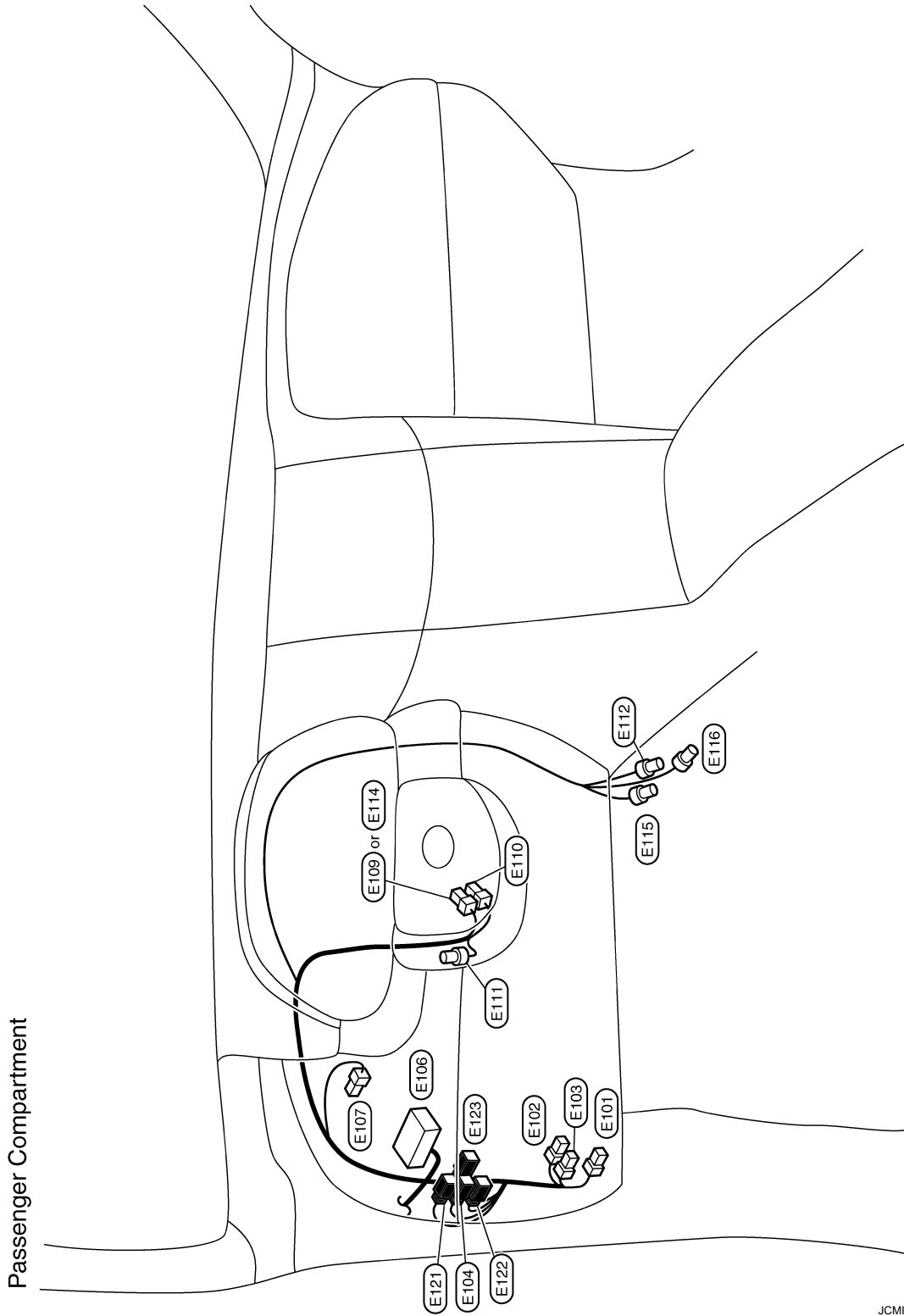
JCMIA0671GB

HARNES LAYOUT

< DTC/CIRCUIT DIAGNOSIS >

[POWER SUPPLY & GROUND CIRCUIT]

PASSENGER COMPARTMENT



2009/07/29

JCMIA0672GB

HARNES LAYOUT

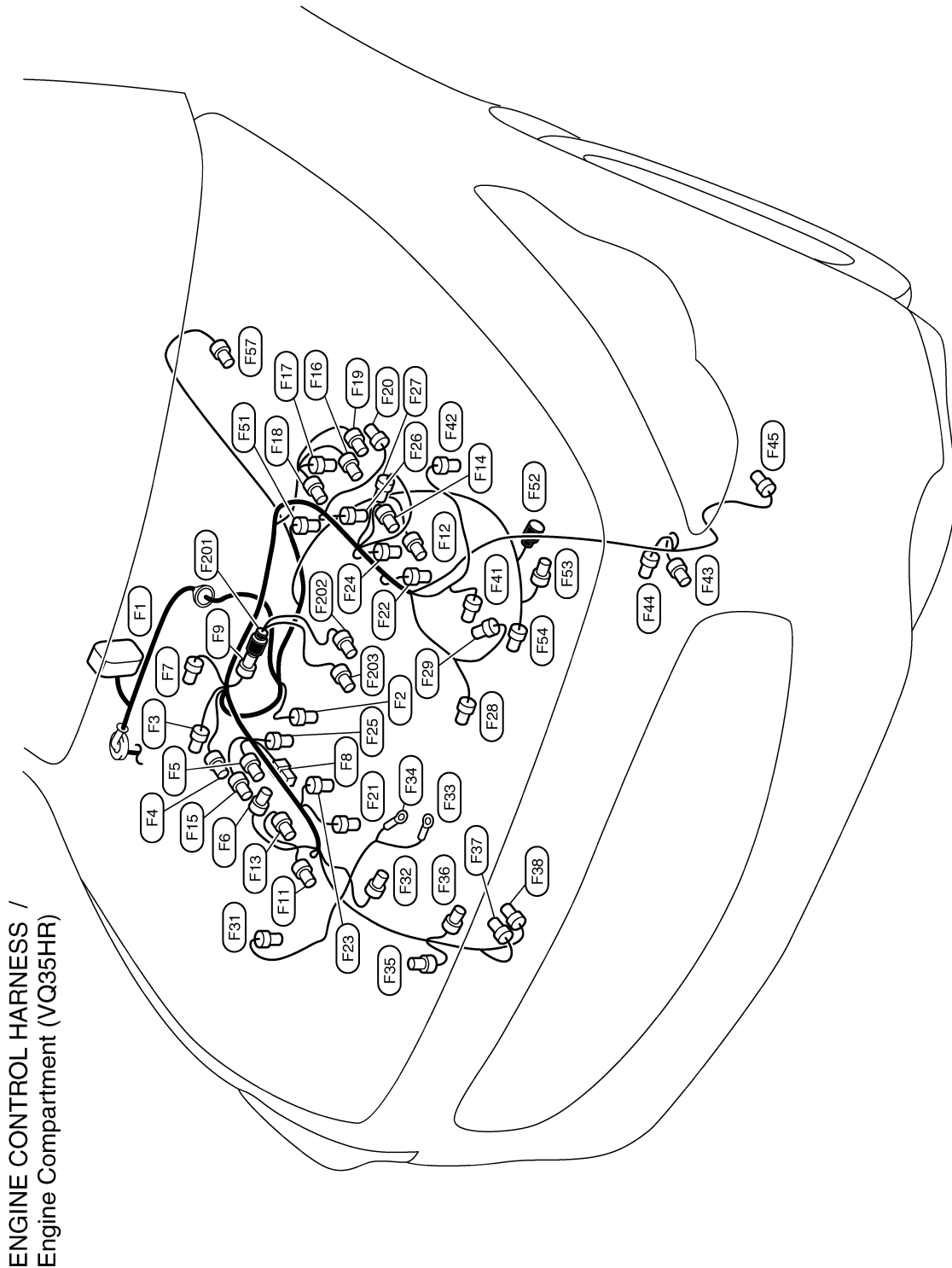
< DTC/CIRCUIT DIAGNOSIS >

[POWER SUPPLY & GROUND CIRCUIT]

Engine Control Harness (VQ35HR)

INFOID:000000005550393

ENGINE COMPARTMENT



ENGINE CONTROL HARNESS /
Engine Compartment (VQ35HR)

A
B
C
D
E
F
G
H
I
J
K
L
N
O
P

PG

2009/07/29

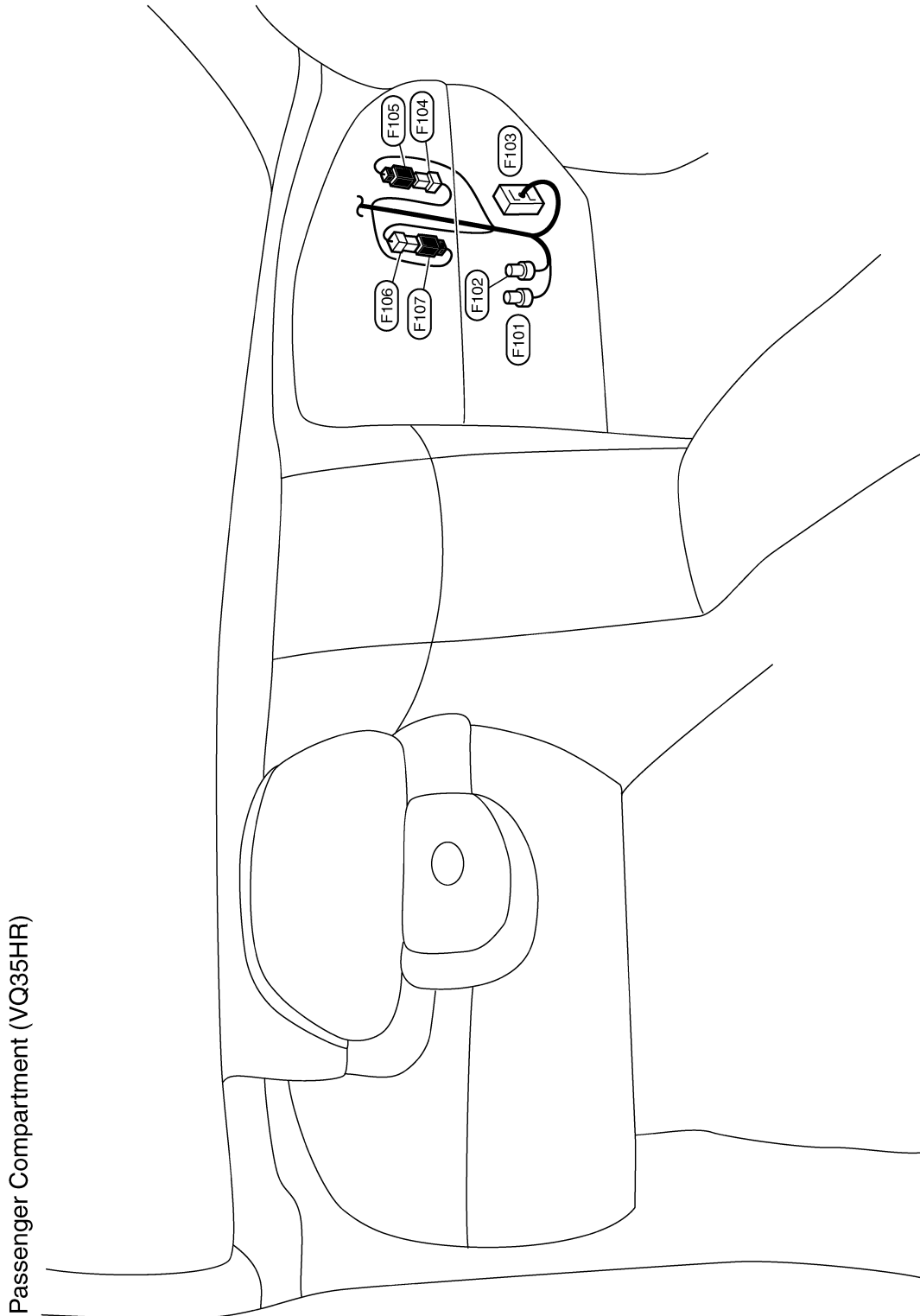
JCMIA0673GB

HARNES LAYOUT

< DTC/CIRCUIT DIAGNOSIS >

[POWER SUPPLY & GROUND CIRCUIT]

PASSENGER COMPARTMENT



Passenger Compartment (VQ35HR)

2009/07/29

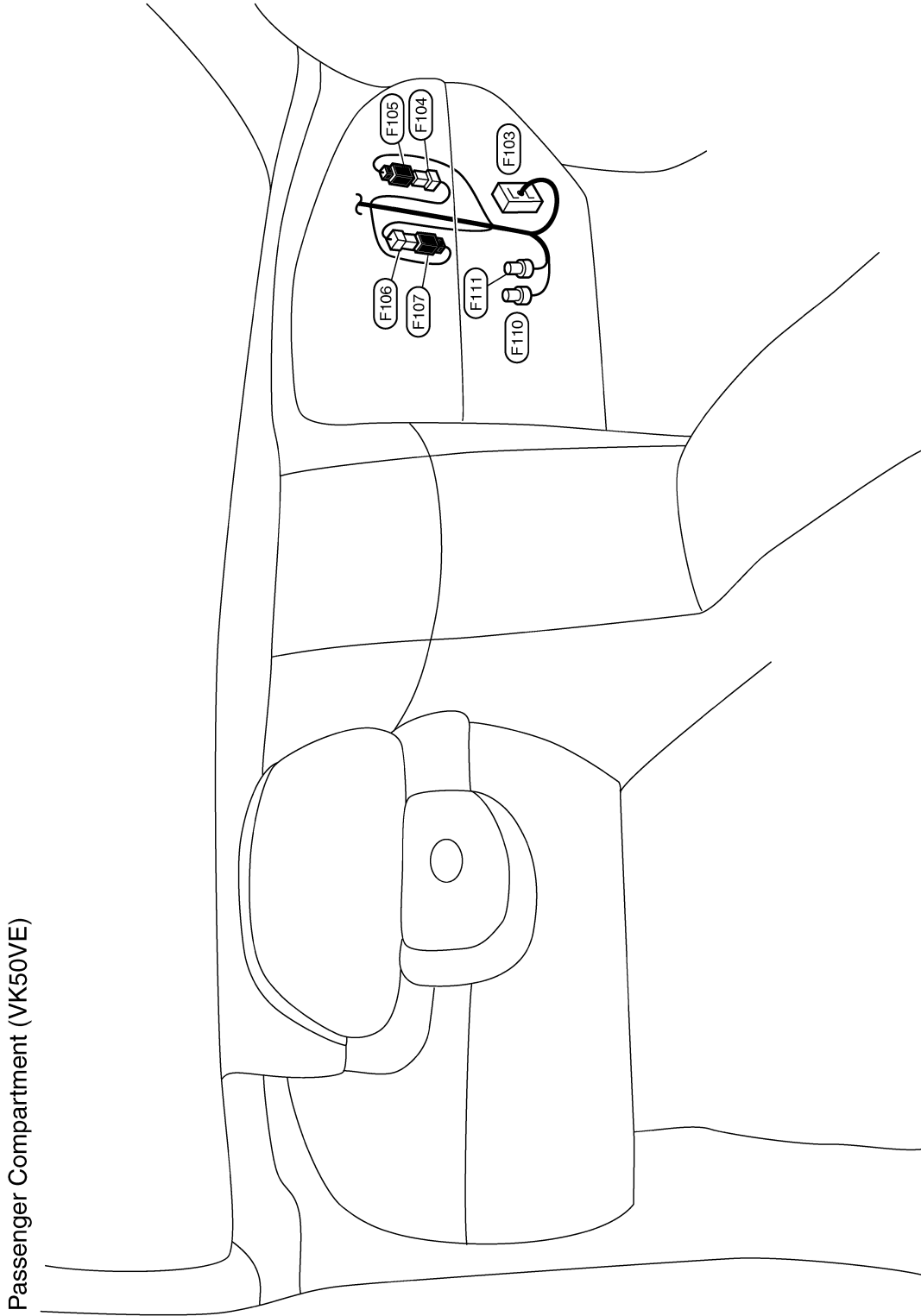
JCMIA0674GB

HARNES LAYOUT

< DTC/CIRCUIT DIAGNOSIS >

[POWER SUPPLY & GROUND CIRCUIT]

PASSENGER COMPARTMENT



Passenger Compartment (VK50VE)

2009/07/29

JCMIA0676GB

HARNESS LAYOUT

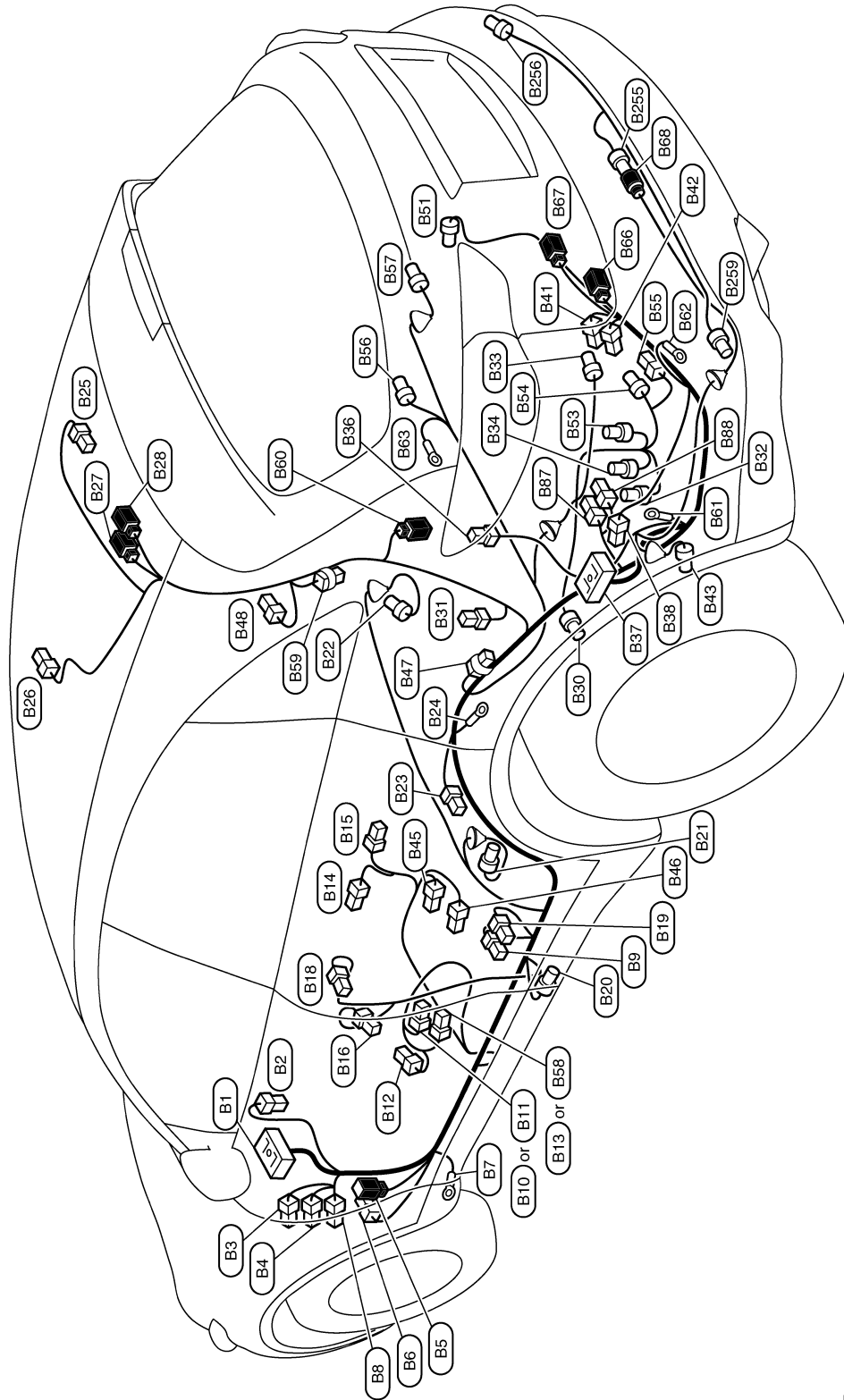
< DTC/CIRCUIT DIAGNOSIS >

[POWER SUPPLY & GROUND CIRCUIT]

Body Harness

INFOID:000000005550395

BODY HARNESS



A
B
C
D
E
F
G
H
I
J
K
L
PG
N
O
P

2009/07/29

JCMIA0677GB

HARNESS LAYOUT

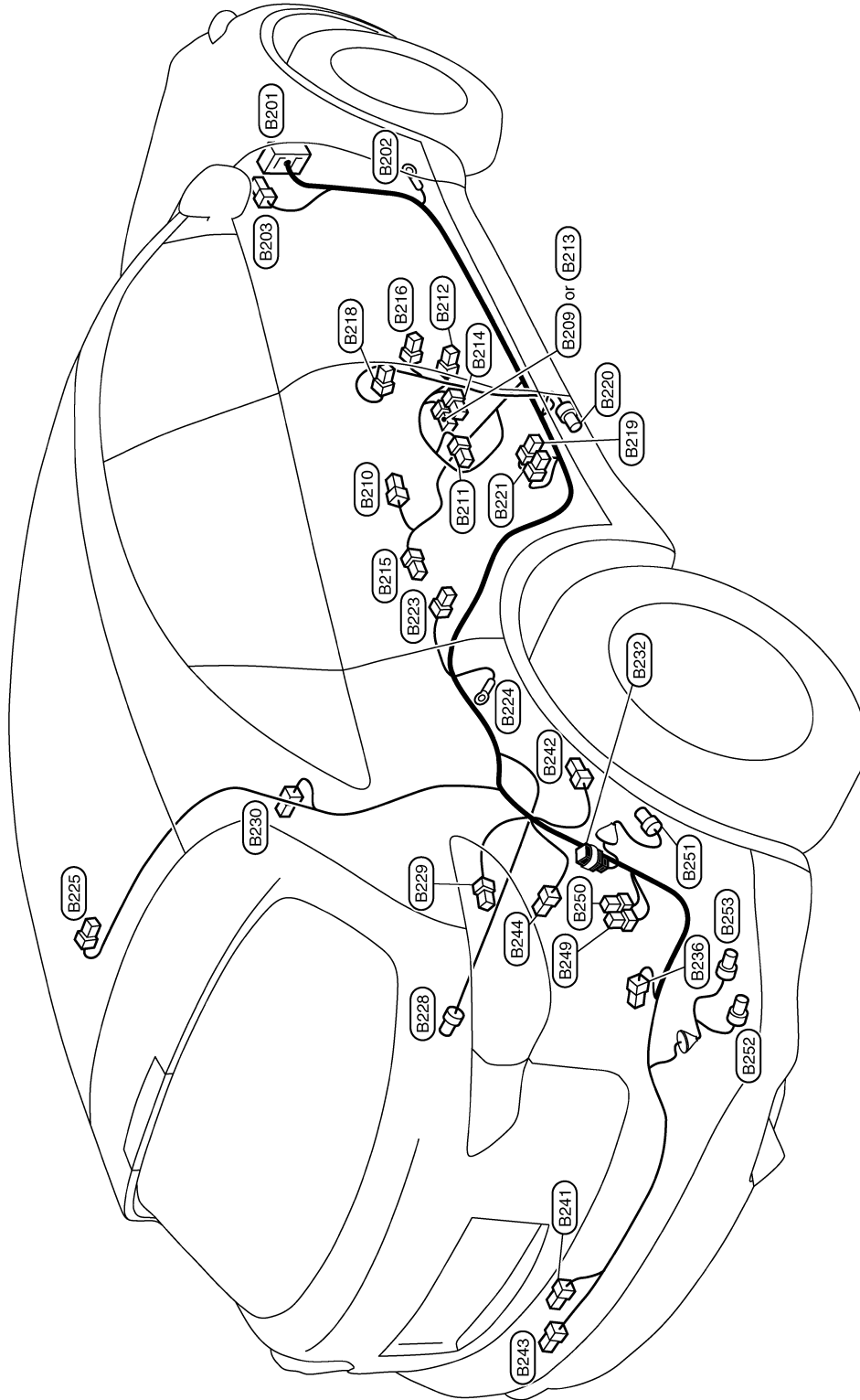
< DTC/CIRCUIT DIAGNOSIS >

[POWER SUPPLY & GROUND CIRCUIT]

Body No. 2 Harness

INFOID:000000005550396

BODY No. 2 HARNESS



2009/07/29

JCMIA0678GB

HARNES LAYOUT

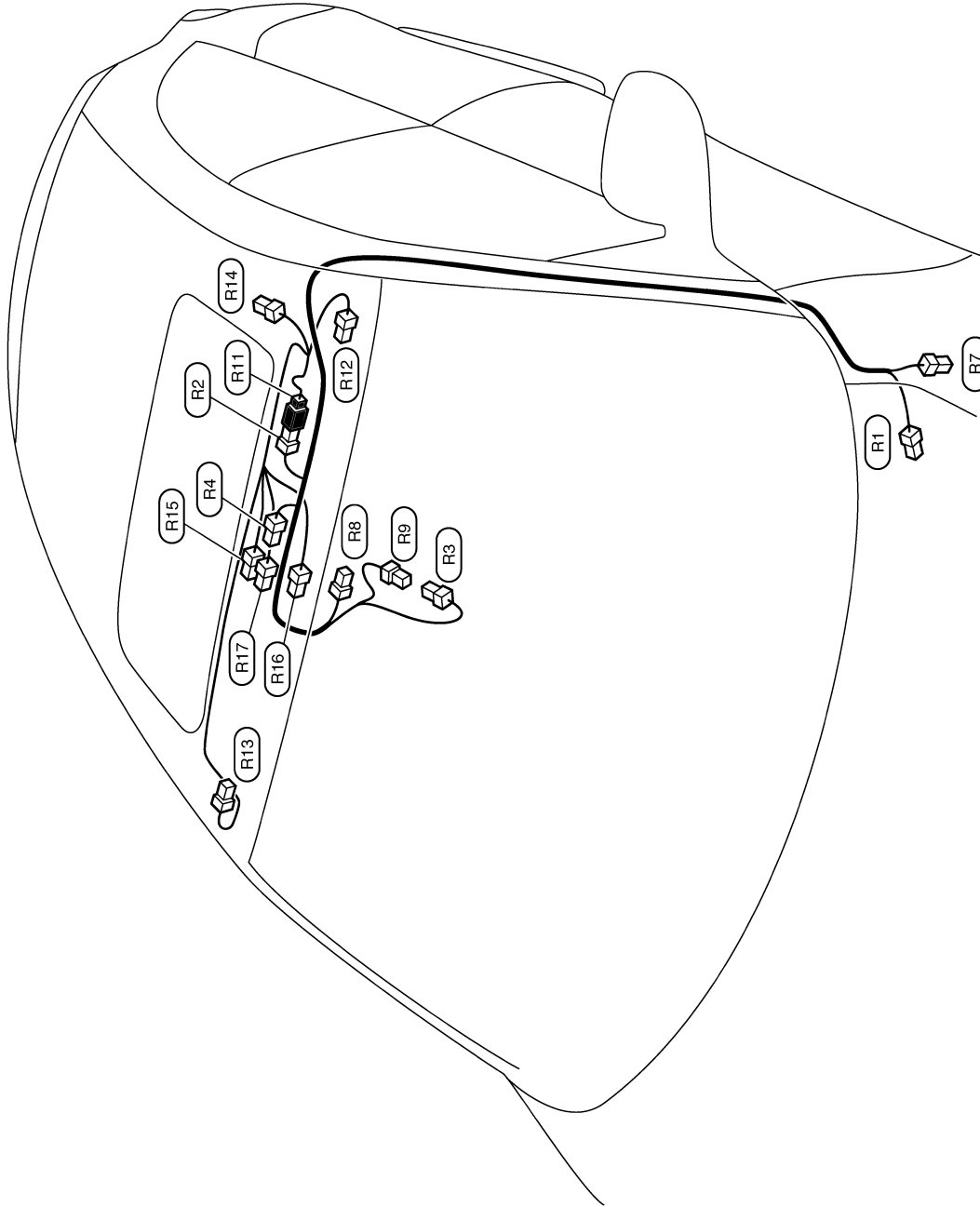
< DTC/CIRCUIT DIAGNOSIS >

[POWER SUPPLY & GROUND CIRCUIT]

Room Lamp Harness

INFOID:000000005550397

ROOM LAMP HARNESS



A
B
C
D
E
F
G
H
I
J
K
L
N
O
P

PG

2008/03/04

JCMIM0390GB

HARNES LAYOUT

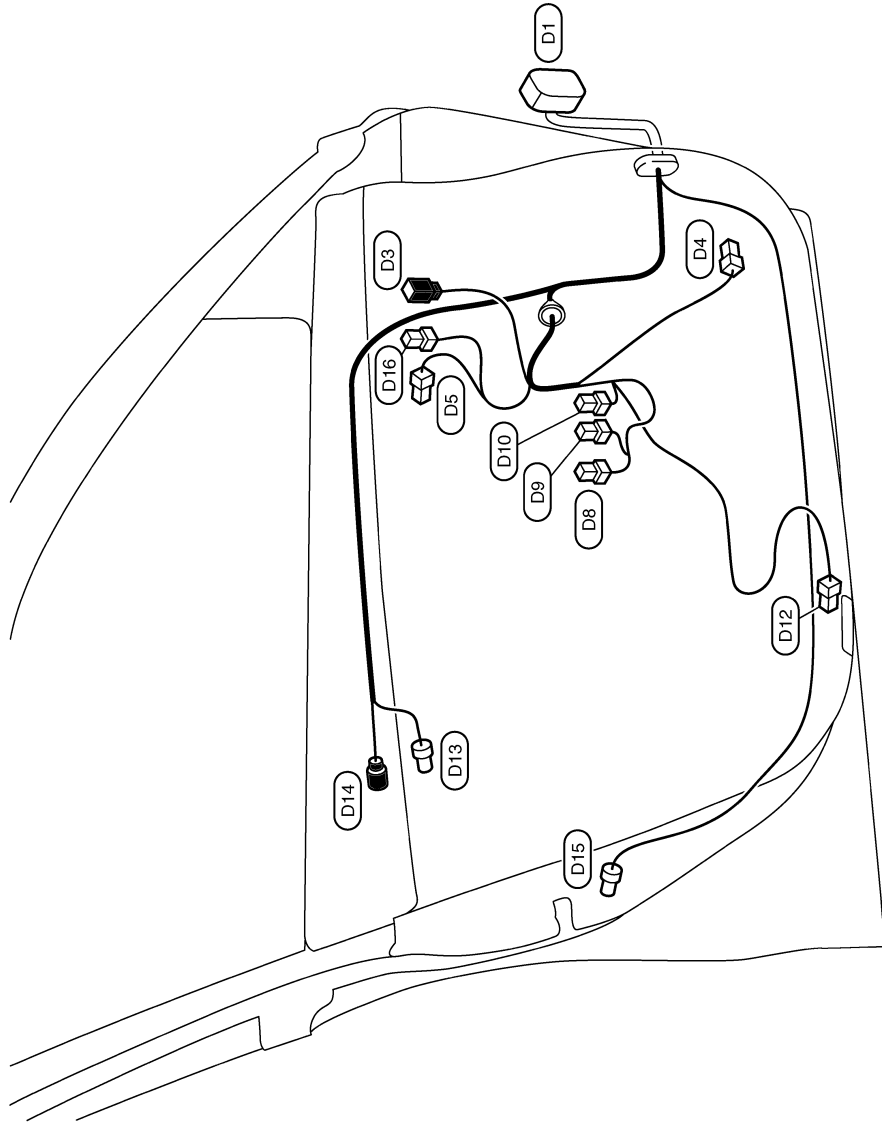
< DTC/CIRCUIT DIAGNOSIS >

[POWER SUPPLY & GROUND CIRCUIT]

Front Door Harness (LH Side)

INFOID:000000005550398

FRONT DOOR HARNESS (LH SIDE)



2008/03/04

JCMIM0391GB

HARNES LAYOUT

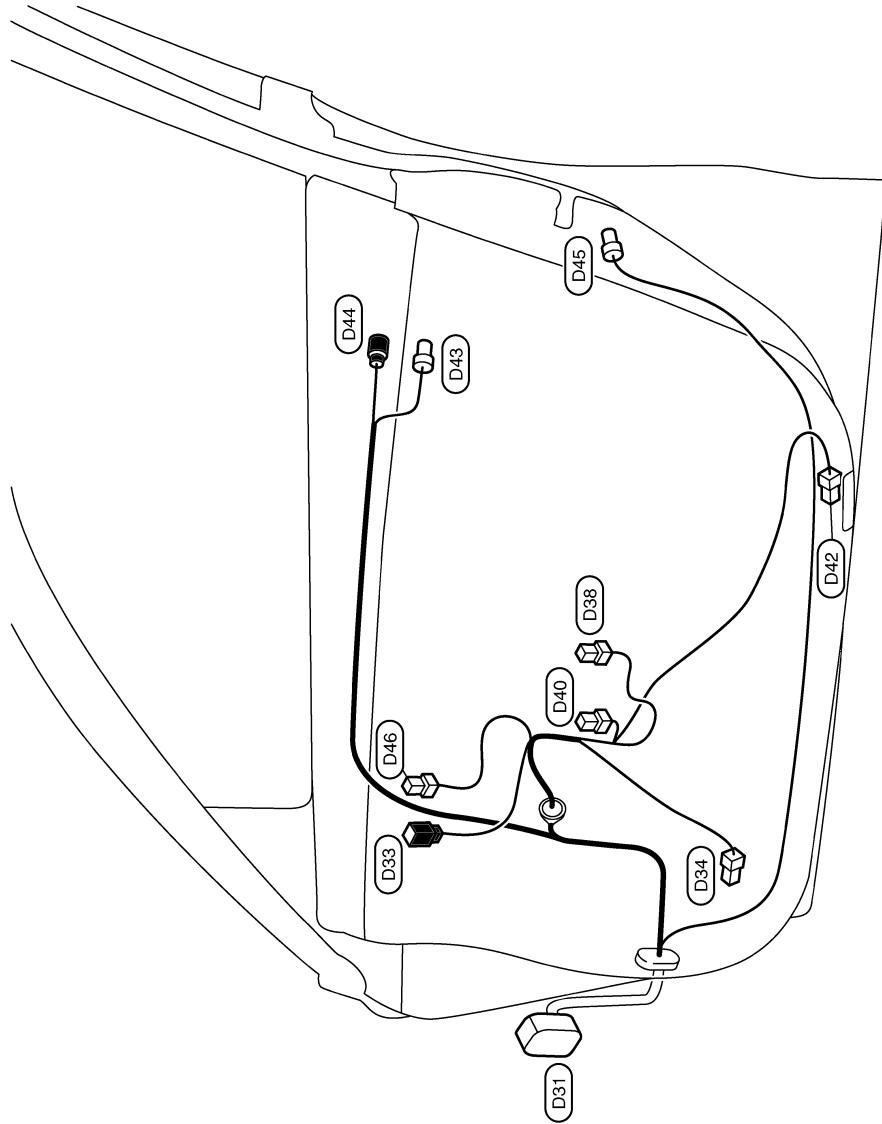
< DTC/CIRCUIT DIAGNOSIS >

[POWER SUPPLY & GROUND CIRCUIT]

Front Door Harness (RH Side)

INFOID:000000005550399

FRONT DOOR HARNESS (RH SIDE)



A
B
C
D
E
F
G
H
I
J
K
L
PG
N
O
P

2008/03/04

JCMIM0392GB

HARNESS LAYOUT

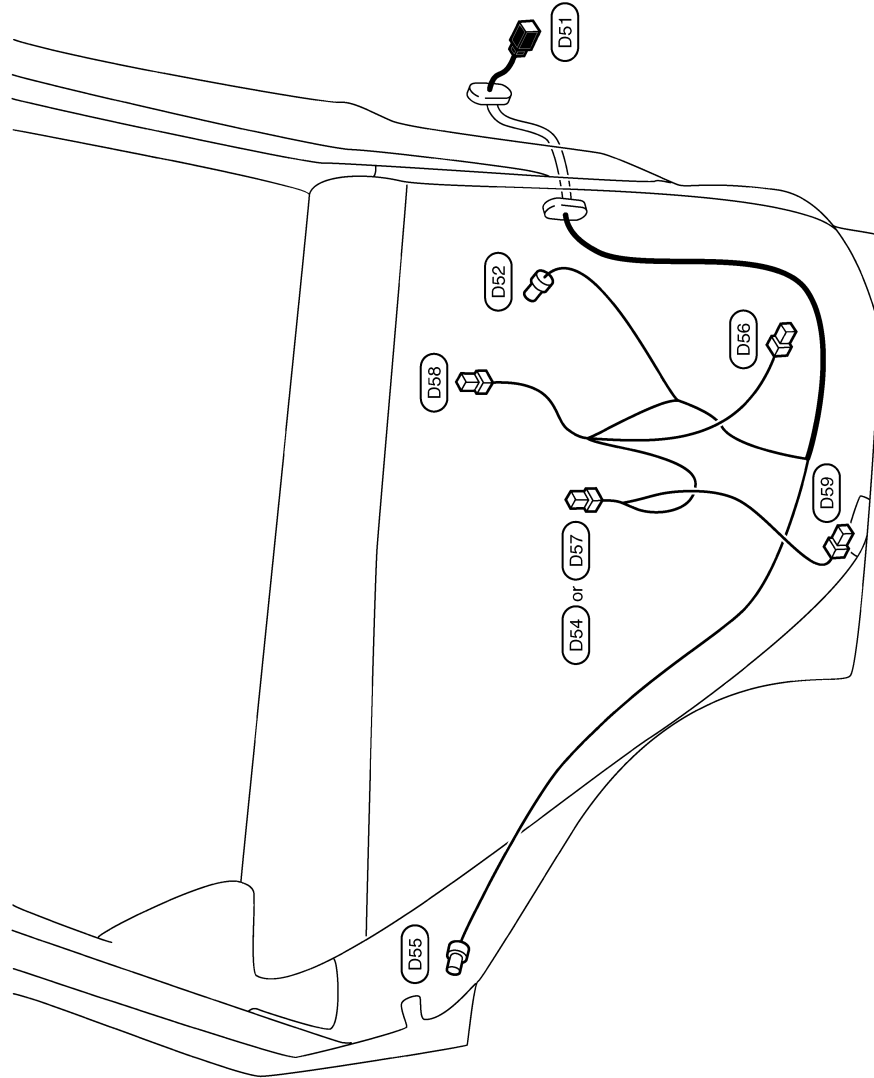
< DTC/CIRCUIT DIAGNOSIS >

[POWER SUPPLY & GROUND CIRCUIT]

Rear Door Harness (LH Side)

INFOID:000000005550400

REAR DOOR HARNESS (LH SIDE)



2008/03/04

JCMIM0393GB

HARNES LAYOUT

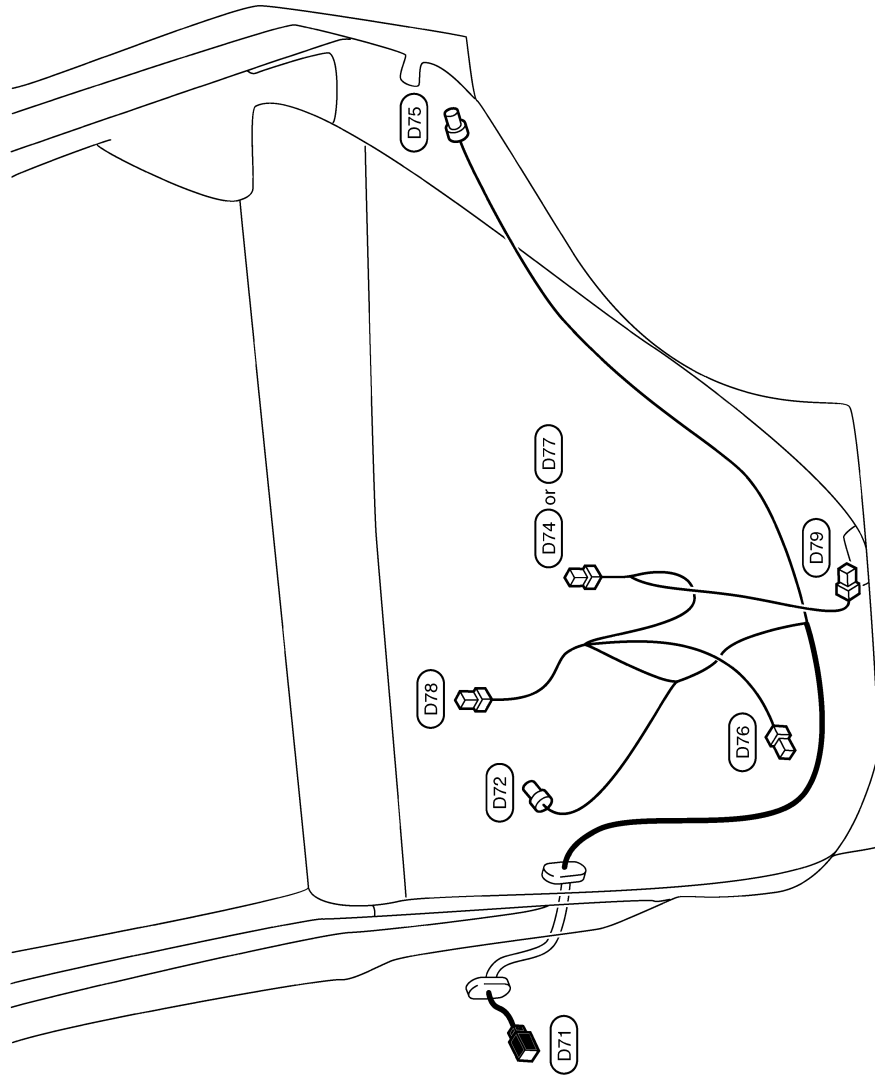
< DTC/CIRCUIT DIAGNOSIS >

[POWER SUPPLY & GROUND CIRCUIT]

Rear Door Harness (RH Side)

INFOID:000000005550401

REAR DOOR HARNESS (RH SIDE)



A
B
C
D
E
F
G
H
I
J
K
L
PG
N
O
P

2008/03/04

JCMIM0394GB

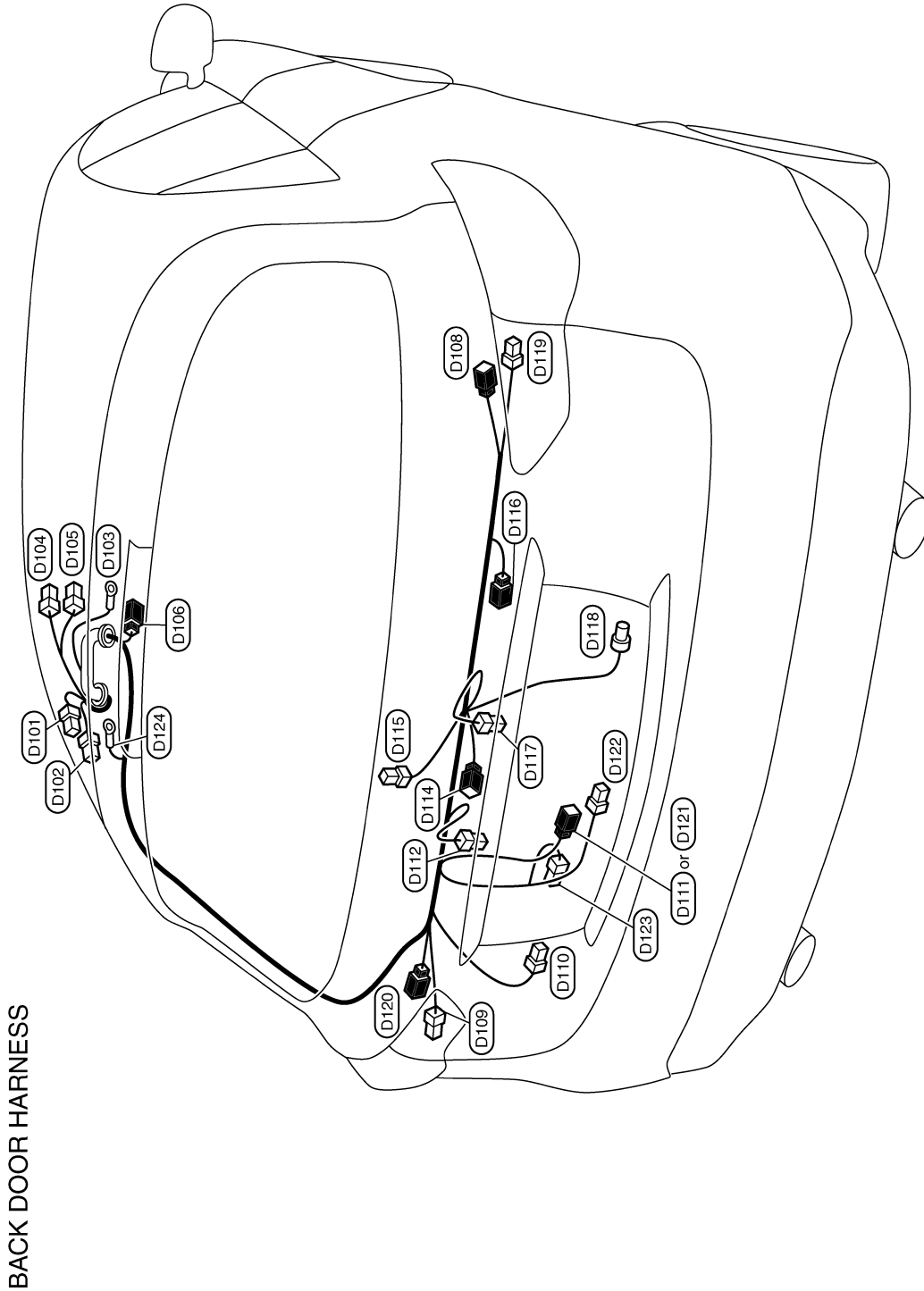
HARNES LAYOUT

< DTC/CIRCUIT DIAGNOSIS >

[POWER SUPPLY & GROUND CIRCUIT]

Back Door Harness

INFOID:000000005550402



BACK DOOR HARNESS

2008/03/04

JCMIM0395GB

HARNESS CONNECTOR

< DTC/CIRCUIT DIAGNOSIS >

[POWER SUPPLY & GROUND CIRCUIT]

HARNESS CONNECTOR

Description

INFOID:000000005240769

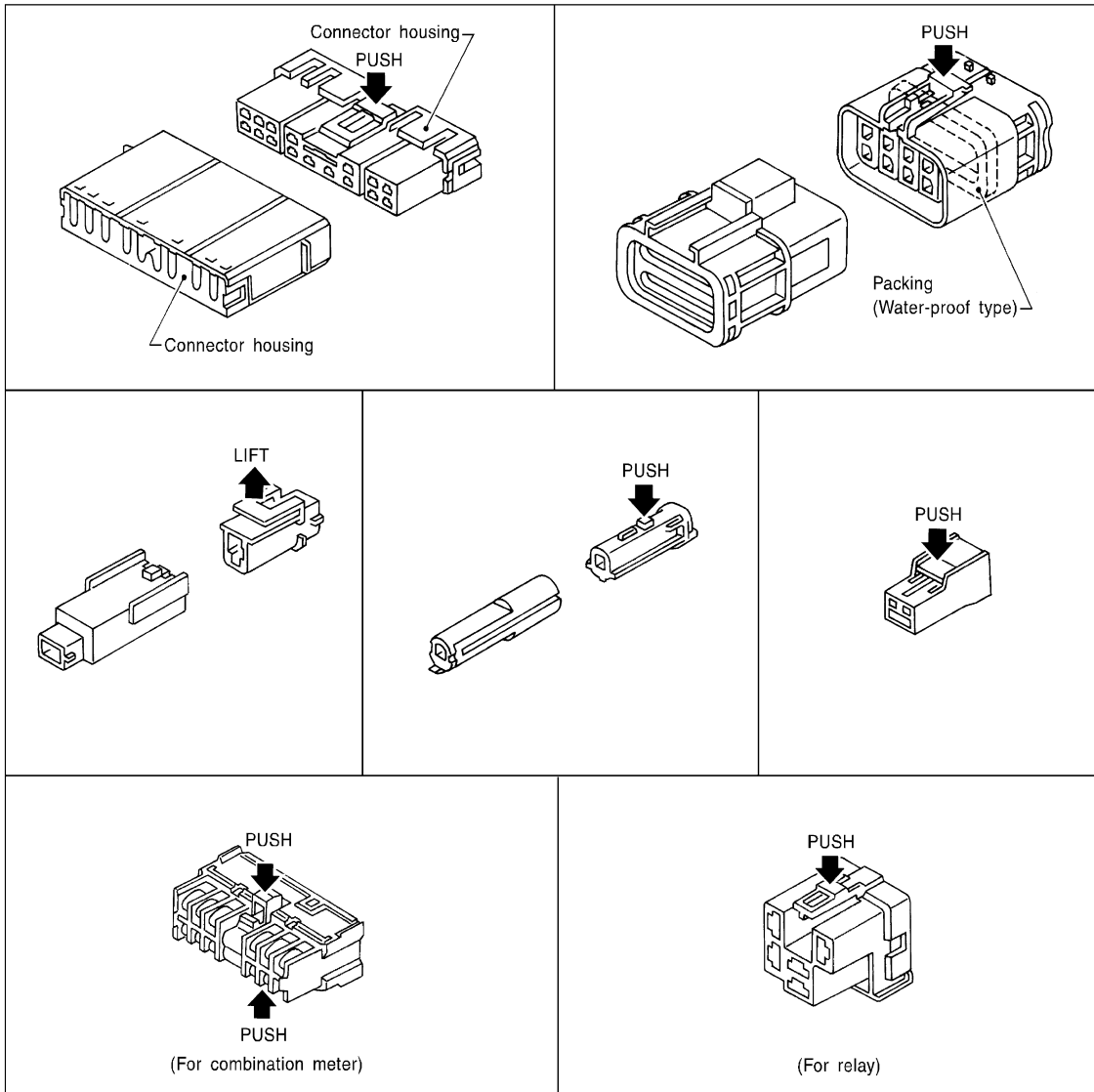
HARNESS CONNECTOR (TAB-LOCKING TYPE)

- The tab-locking type connectors help prevent accidental looseness or disconnection.
- The tab-locking type connectors are disconnected by pushing or lifting the locking tab(s). Refer to the figure below.

CAUTION:

Never pull the harness or wires when disconnecting the connector.

[Example]



SEL769DA

HARNESS CONNECTOR (SLIDE-LOCKING TYPE)

- A new style slide-locking type connector is used on certain systems and components, especially those related to OBD.
- The slide-locking type connectors help prevent incomplete locking and accidental looseness or disconnection.
- The slide-locking type connectors are disconnected by pushing or pulling the slider. Refer to the figure below.

A
B
C
D
E
F
G
H
I
J
K
L
PG
N
O
P

HARNESS CONNECTOR

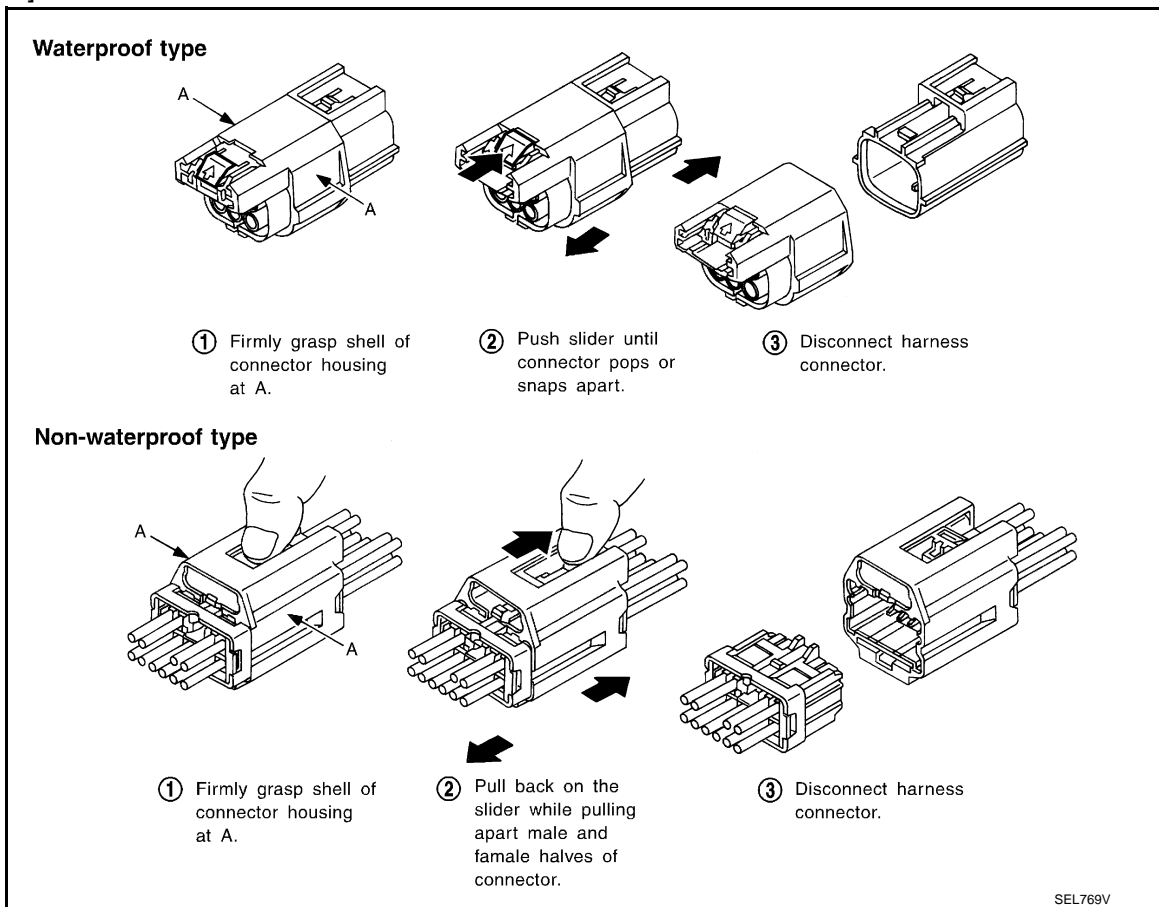
< DTC/CIRCUIT DIAGNOSIS >

[POWER SUPPLY & GROUND CIRCUIT]

CAUTION:

- Never pull the harness or wires when disconnecting the connector.
- Be careful not to damage the connector support bracket when disconnecting the connector.

[Example]



HARNESS CONNECTOR (LEVER LOCKING TYPE)

- Lever locking type harness connectors are used on certain control units and control modules such as ECM, ABS actuator and electric unit (control unit), etc.
- Lever locking type harness connectors are also used on super multiple junction (SMJ) connectors.
- Always confirm the lever is fully locked in place by moving the lever as far as it will go to ensure full connection.

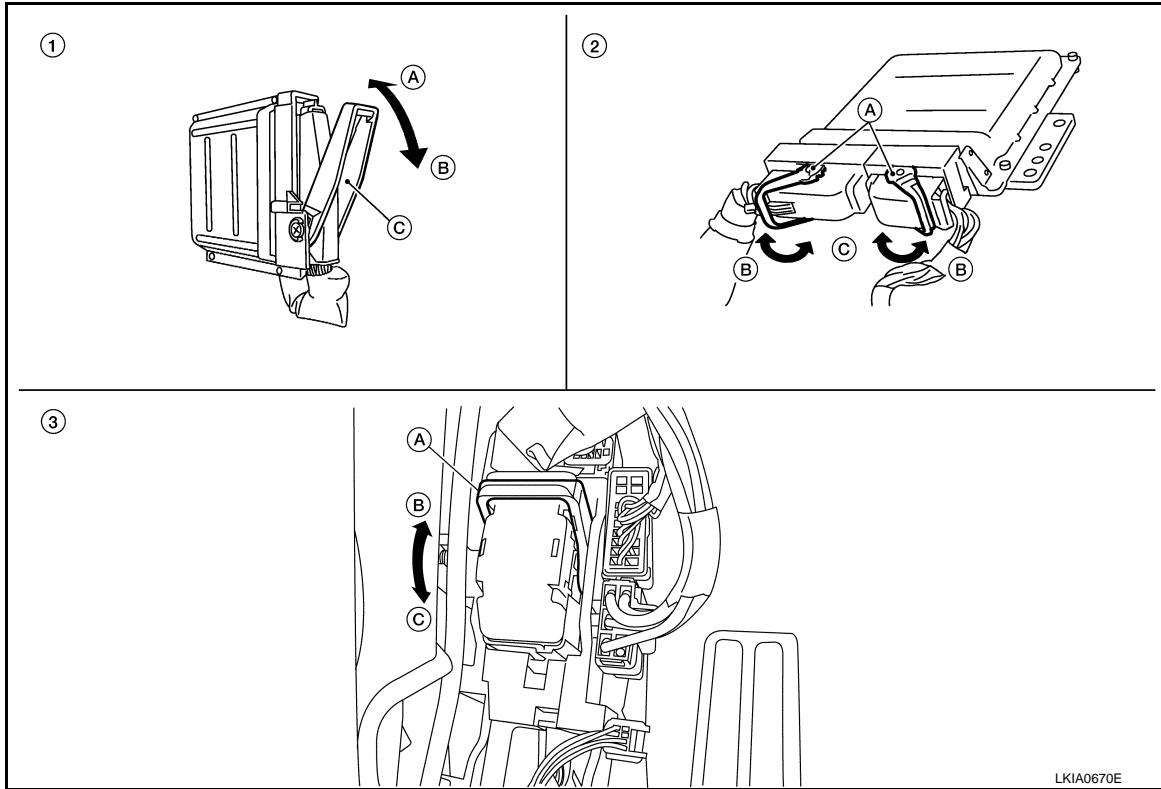
CAUTION:

HARNESS CONNECTOR

< DTC/CIRCUIT DIAGNOSIS >

[POWER SUPPLY & GROUND CIRCUIT]

Always confirm the lever is fully released (loosened) before attempting to disconnect or connect these connectors to avoid damage to the connector housing or terminals.



1. Control unit with single lever
A. Fasten
B. Loosen
C. Lever

2. Control unit with dual levers
A. Levers
B. Fasten
C. Loosen

3. SMJ connector
A. Lever
B. Fasten
C. Loosen

LKIA0670E

A
B
C
D
E
F
G
H
I
J
K
L
N
O
P

PG

STANDARDIZED RELAY

< DTC/CIRCUIT DIAGNOSIS >

[POWER SUPPLY & GROUND CIRCUIT]

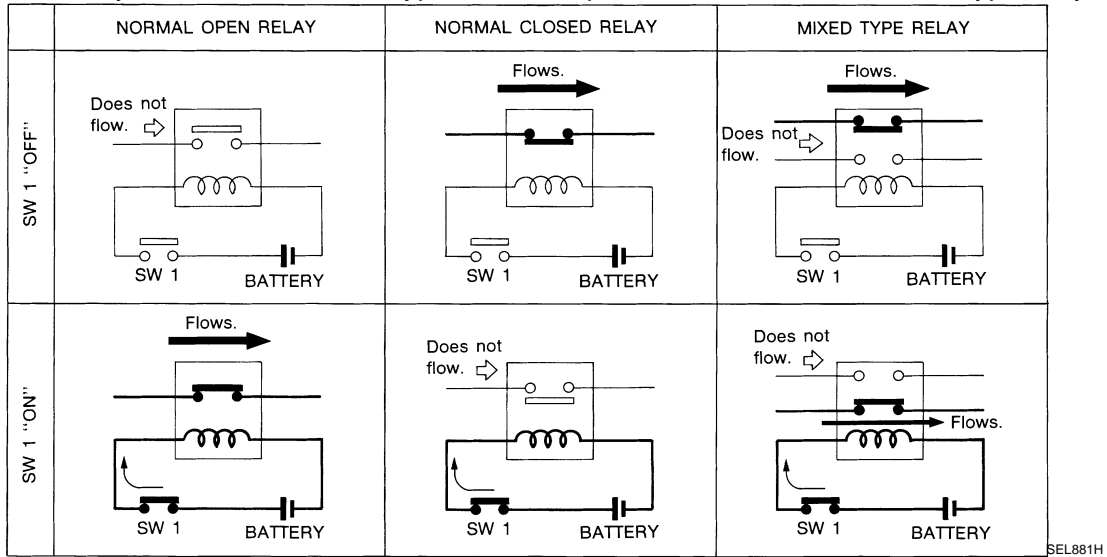
STANDARDIZED RELAY

Description

INFOID:000000005240770

NORMAL OPEN, NORMAL CLOSED AND MIXED TYPE RELAYS

Relays can mainly be divided into three types: normal open, normal closed and mixed type relays.



SEL881H

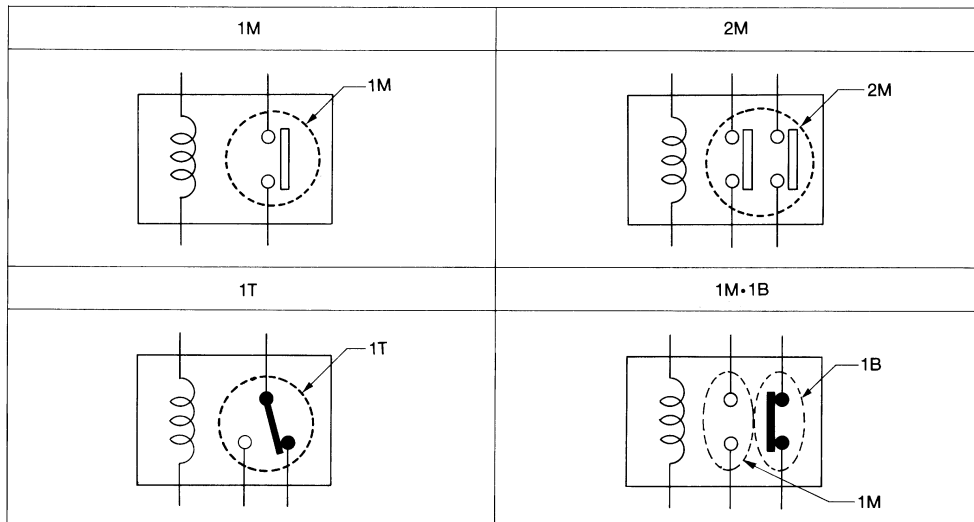
TYPE OF STANDARDIZED RELAYS

1M 1 Make

2M 2 Make

1T 1 Transfer

1M·1B 1 Make 1 Break

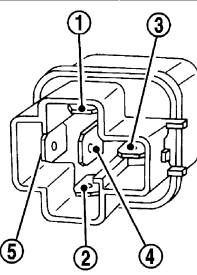
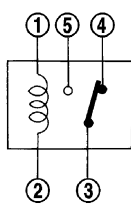
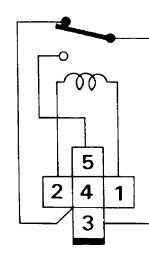
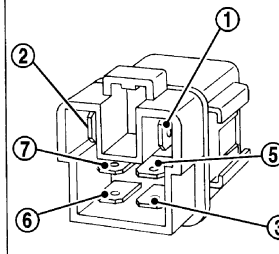
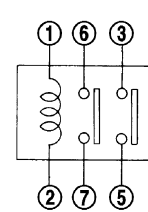
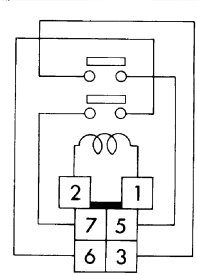
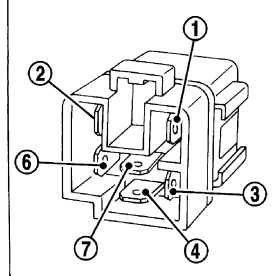
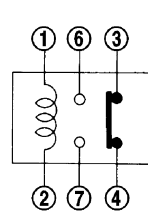
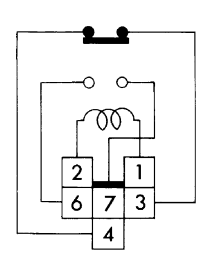
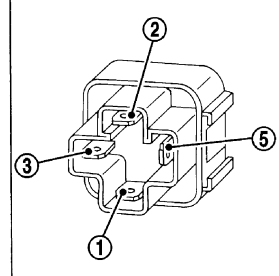
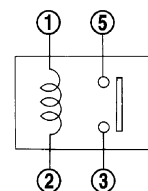
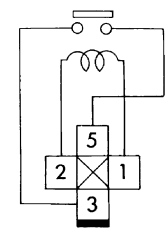
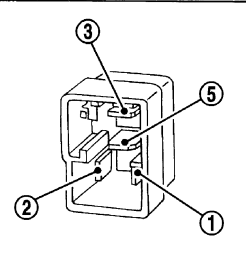
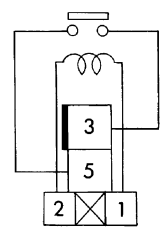


SEL882H

STANDARDIZED RELAY

< DTC/CIRCUIT DIAGNOSIS >

[POWER SUPPLY & GROUND CIRCUIT]

Type	Outer view	Circuit	Connector symbol and connection	Case color
1T				BLACK
2M				BROWN
1M•1B				GRAY
1M				BLUE
				

The arrangement of terminal numbers on the actual relays may differ from those shown above.

SEL188W

A
B
C
D
E
F
G
H
I
J
K
L
PG
N
O
P

FUSE BLOCK - JUNCTION BOX (J/B)

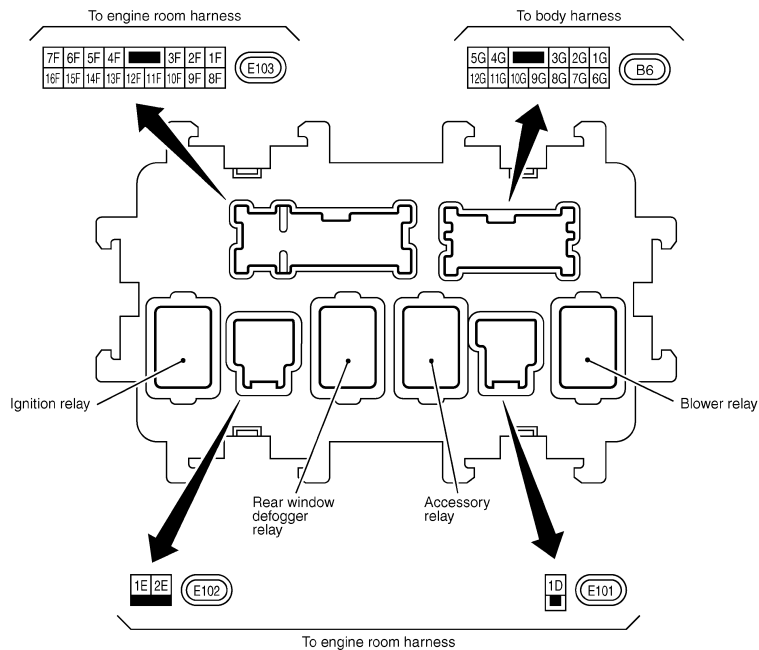
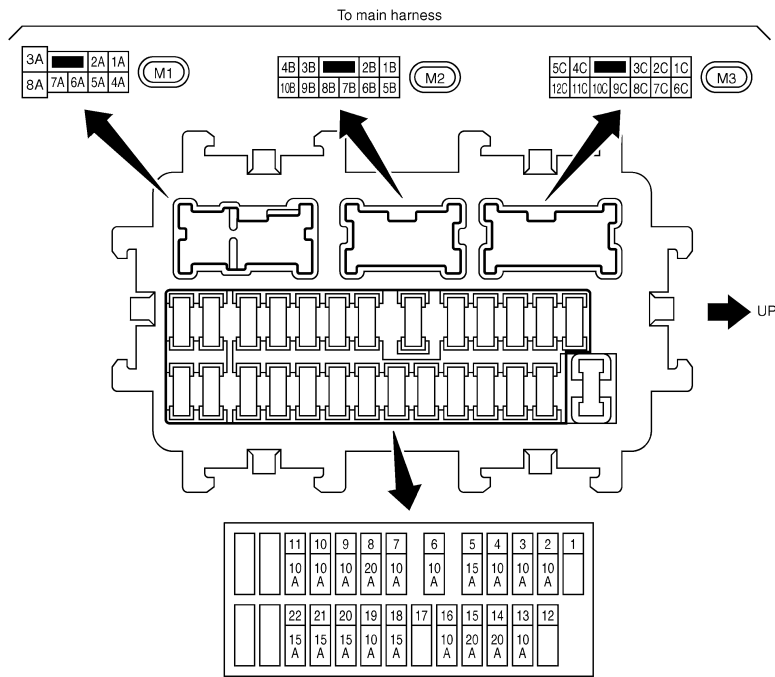
< DTC/CIRCUIT DIAGNOSIS >

[POWER SUPPLY & GROUND CIRCUIT]

FUSE BLOCK - JUNCTION BOX (J/B)

Fuse, Connector and Terminal Arrangement

INFOID:000000005240771



2009/07/29

JCMWA5127GB

FUSE, FUSIBLE LINK AND RELAY BOX

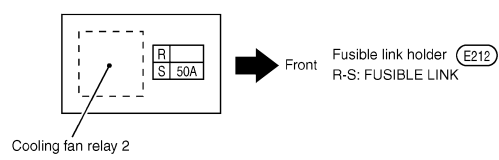
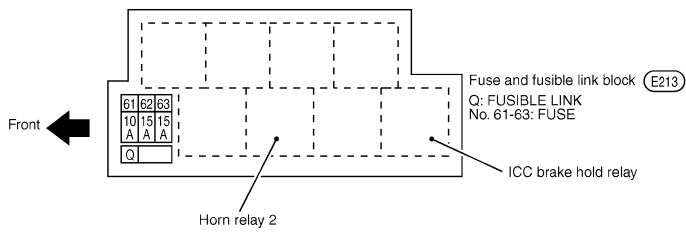
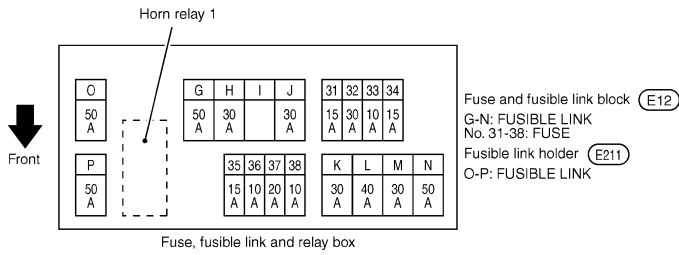
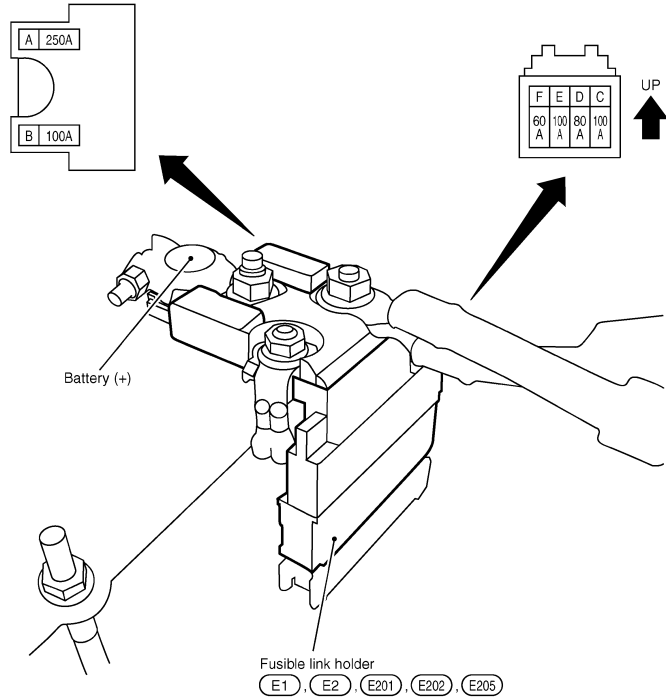
< DTC/CIRCUIT DIAGNOSIS >

[POWER SUPPLY & GROUND CIRCUIT]

FUSE, FUSIBLE LINK AND RELAY BOX

Fuse and Fusible Link Arrangement

INFOID:000000005240772



2009/07/29

JCMWA5128GB

A
B
C
D
E
F
G
H
I
J
K
L
PG
N
O
P

IPDM E/R (INTELLIGENT POWER DISTRIBUTION MODULE ENGINE ROOM)

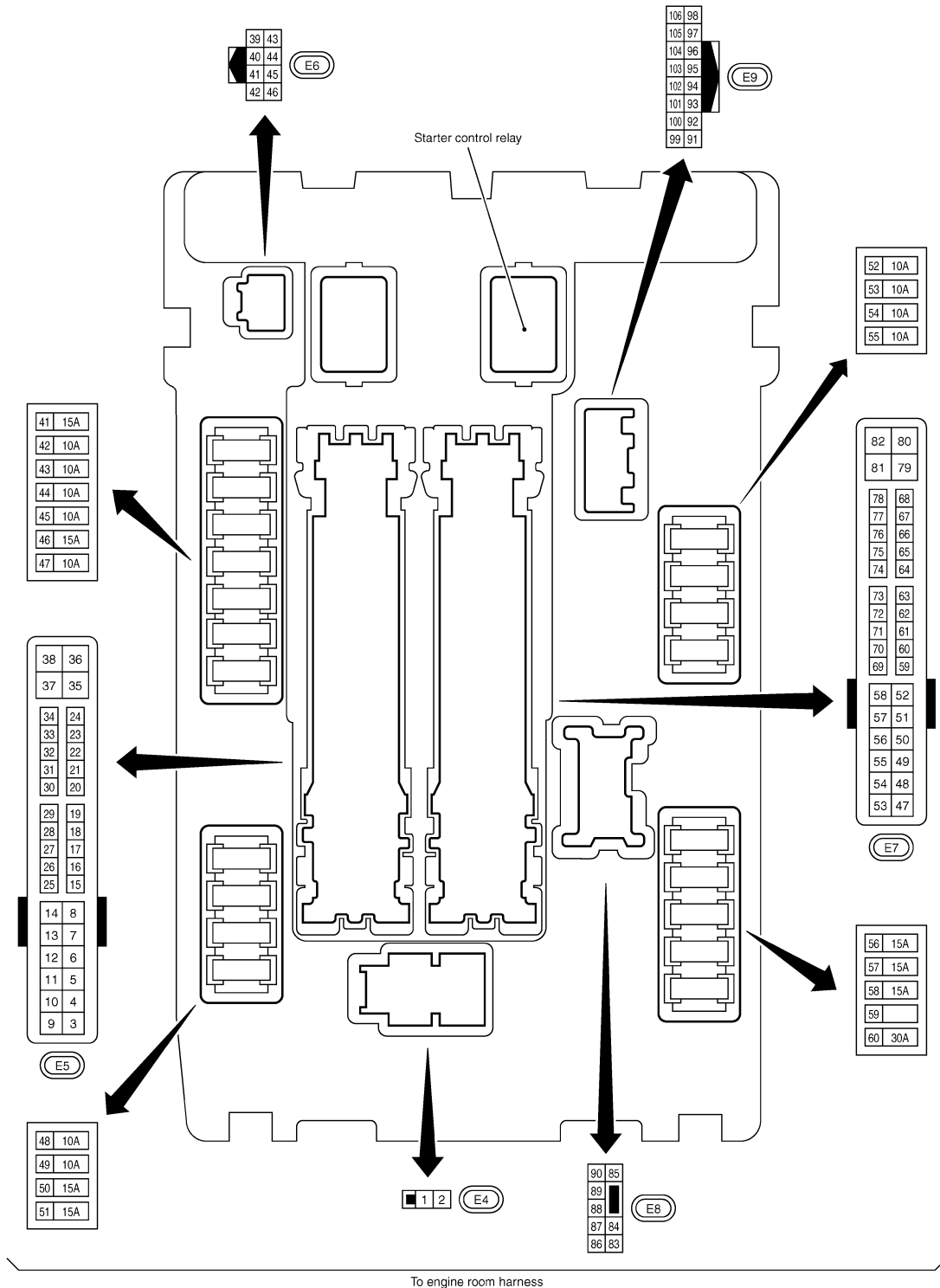
< DTC/CIRCUIT DIAGNOSIS >

[POWER SUPPLY & GROUND CIRCUIT]

IPDM E/R (INTELLIGENT POWER DISTRIBUTION MODULE ENGINE ROOM)

Fuse, Connector and Terminal Arrangement

INFOID:000000005240773



2009/07/29

JCMWA5129GB

PRECAUTIONS

< PRECAUTION >

[POWER SUPPLY & GROUND CIRCUIT]

PRECAUTION

PRECAUTIONS

Precaution for Supplemental Restraint System (SRS) "AIR BAG" and "SEAT BELT PRE-TENSIONER"

INFOID:000000005240774

The Supplemental Restraint System such as "AIR BAG" and "SEAT BELT PRE-TENSIONER", used along with a front seat belt, helps to reduce the risk or severity of injury to the driver and front passenger for certain types of collision. This system includes seat belt switch inputs and dual stage front air bag modules. The SRS system uses the seat belt switches to determine the front air bag deployment, and may only deploy one front air bag, depending on the severity of a collision and whether the front occupants are belted or unbelted. Information necessary to service the system safely is included in the "SRS AIR BAG" and "SEAT BELT" of this Service Manual.

WARNING:

- To avoid rendering the SRS inoperative, which could increase the risk of personal injury or death in the event of a collision which would result in air bag inflation, all maintenance must be performed by an authorized NISSAN/INFINITI dealer.
- Improper maintenance, including incorrect removal and installation of the SRS, can lead to personal injury caused by unintentional activation of the system. For removal of Spiral Cable and Air Bag Module, see the "SRS AIR BAG".
- Do not use electrical test equipment on any circuit related to the SRS unless instructed to in this Service Manual. SRS wiring harnesses can be identified by yellow and/or orange harnesses or harness connectors.

PRECAUTIONS WHEN USING POWER TOOLS (AIR OR ELECTRIC) AND HAMMERS

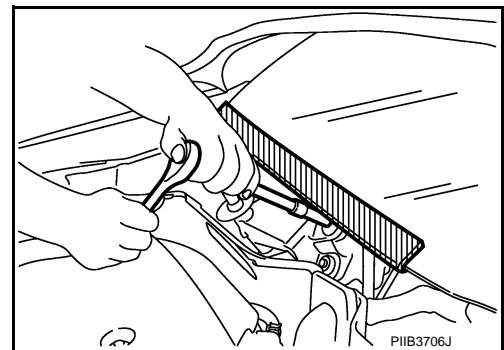
WARNING:

- When working near the Air Bag Diagnosis Sensor Unit or other Air Bag System sensors with the ignition ON or engine running, DO NOT use air or electric power tools or strike near the sensor(s) with a hammer. Heavy vibration could activate the sensor(s) and deploy the air bag(s), possibly causing serious injury.
- When using air or electric power tools or hammers, always switch the ignition OFF, disconnect the battery, and wait at least 3 minutes before performing any service.

Precaution for Procedure without Cowl Top Cover

INFOID:000000005240775

When performing the procedure after removing cowl top cover, cover the lower end of windshield with urethane, etc.



PREPARATION

[POWER SUPPLY & GROUND CIRCUIT]

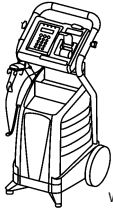
< PREPARATION >

PREPARATION

PREPARATION

Special Service Tools

INFOID:000000005240776

Tool number (Kent-Moore No.) Tool name	Description
<p>— (J-48087) Battery Service Center</p>  <p>WKIA5280E</p>	<p>Tests battery. For operating instructions, refer to Technical Service Bulletin and Battery Service Center User Guide.</p>

BATTERY

< REMOVAL AND INSTALLATION >

[POWER SUPPLY & GROUND CIRCUIT]

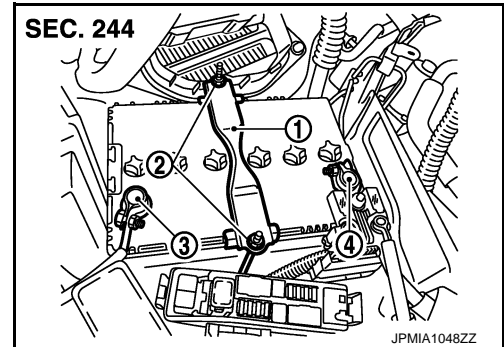
REMOVAL AND INSTALLATION

BATTERY

Exploded View

INFOID:000000005240777

- 1 : Battery fix frame
- 2 : Battery fix frame mounting nuts
- 3 : Battery terminal (-)
- 4 : Battery terminal (+)

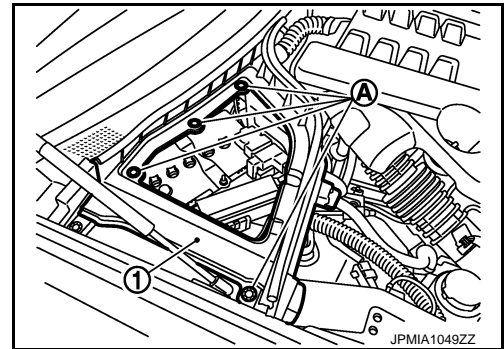


Removal and Installation

INFOID:000000005240778

REMOVAL

1. Remove battery cover.
2. Remove the clips (A), and remove hoodledge cover RH (1).

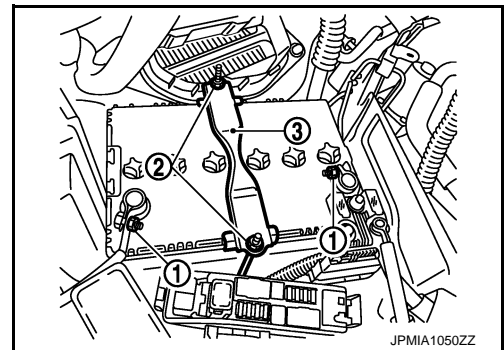


3. Remove cowl top cover RH. Refer to [EXT-22. "Exploded View"](#).
4. Remove cover of battery positive terminal.
5. Loosen battery terminal nuts (1), and disconnect both battery cables from battery terminals.

CAUTION:

When disconnecting, disconnect the battery cable from the negative terminal first.

6. Remove battery fix frame mounting nuts (2) and battery fix frame (3).
7. Remove battery.



INSTALLATION

Install in the reverse order of removal.

CAUTION:

When connecting, connect the battery cable to the positive terminal first.

Battery fix frame mounting nut

: 3.9 N·m (0.40 kg·m, 35 in·lb)

Battery terminal nut

: 5.4 N·m (0.55 kg·m, 48 in·lb)

A
B
C
D
E
F
G
H
I
J
K
L
PG
N
O
P

BATTERY

< REMOVAL AND INSTALLATION >

[POWER SUPPLY & GROUND CIRCUIT]

Reset electronic systems as necessary. Refer to [GI-59. "ADDITIONAL SERVICE WHEN REMOVING BATTERY NEGATIVE TERMINAL : Required Procedure After Battery Disconnection"](#).

BATTERY TERMINAL WITH FUSIBLE LINK

< REMOVAL AND INSTALLATION >

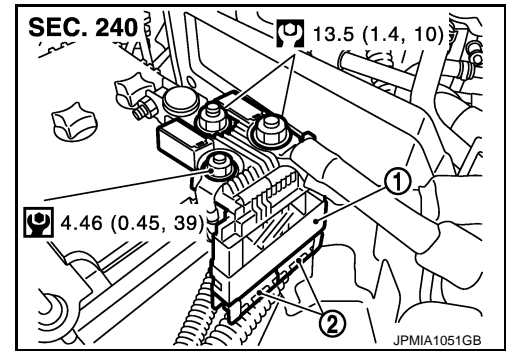
[POWER SUPPLY & GROUND CIRCUIT]

BATTERY TERMINAL WITH FUSIBLE LINK

Exploded View

INFOID:000000005240779

- 1 : Battery terminal with fusible link
 - 2 : Harness connector
- Refer to [GI-4. "Components"](#) for symbols in the figure.

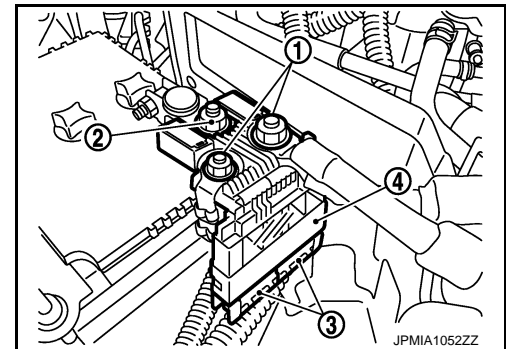


Removal and Installation

INFOID:000000005240780

REMOVAL

1. Remove battery cover.
2. Disconnect the battery cable from the negative terminal.
3. Remove cover of battery positive terminal.
4. Remove harness mounting nuts (1) and battery terminal with fusible link mounting nut (2).
5. Disconnect harness connector (3) and remove battery terminal with fusible link (4).



INSTALLATION

Install in the reverse order of removal.

A
B
C
D
E
F
G
H
I
J
K
L

PG

N
O
P

SERVICE DATA AND SPECIFICATIONS (SDS)

< SERVICE DATA AND SPECIFICATIONS (SDS)

[POWER SUPPLY & GROUND CIRCUIT]

SERVICE DATA AND SPECIFICATIONS (SDS)

SERVICE DATA AND SPECIFICATIONS (SDS)

Battery

INFOID:000000005240781

Engine		VQ35HR	VK50VE
Type		80D23L	110D26L
20 hour rate capacity	[V - Ah]	12 - 62	12 - 75
Cold cranking current (For reference value)	[A]	582	720