

A  
EX  
C  
D  
E  
F  
G  
H  
I  
J  
K  
L  
M  
N  
O  
P

**SECTION EX**  
**EXHAUST SYSTEM**

**CONTENTS**

<b>VQ35HR</b>	<b>VK50VE</b>
<b>PRECAUTION</b> ..... 2	<b>PRECAUTION</b> ..... 7
<b>PRECAUTIONS</b> ..... 2	<b>PRECAUTIONS</b> ..... 7
Removal and Installation .....2	Removal and Installation ..... 7
<b>PREPARATION</b> ..... 3	<b>PREPARATION</b> ..... 8
<b>PREPARATION</b> ..... 3	<b>PREPARATION</b> ..... 8
Commercial Service Tool .....3	Commercial Service Tool ..... 8
<b>PERIODIC MAINTENANCE</b> ..... 4	<b>PERIODIC MAINTENANCE</b> ..... 9
<b>EXHAUST SYSTEM</b> ..... 4	<b>EXHAUST SYSTEM</b> ..... 9
Inspection .....4	Inspection ..... 9
<b>REMOVAL AND INSTALLATION</b> ..... 5	<b>REMOVAL AND INSTALLATION</b> .....10
<b>EXHAUST SYSTEM</b> ..... 5	<b>EXHAUST SYSTEM</b> .....10
Exploded View .....5	Exploded View .....10
Removal and Installation .....5	Removal and Installation .....10
Inspection .....6	Inspection .....11

## PRECAUTION

### PRECAUTIONS

#### Removal and Installation

INFOID:000000007512329

**CAUTION:**

- Be sure to use genuine exhaust system parts or equivalents which are specially designed for heat resistance, corrosion resistance, and shape.
- Perform the operation with the exhaust system fully cooled down because the system will be hot just after engine stops.
- Be careful not to cut your hand on the heat insulator edge.

# PREPARATION

< PREPARATION >

[VQ35HR]

## PREPARATION

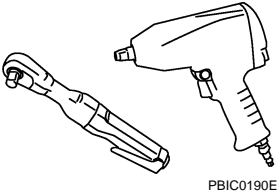
### PREPARATION

#### Commercial Service Tool

INFOID:000000007512330

A

EX

Tool name	Description
<p>Power tool</p>  <p>PBIC0190E</p>	<p>Loosening bolts and nuts</p>

C

D

E

F

G

H

I

J

K

L

M

N

O

P

## PERIODIC MAINTENANCE

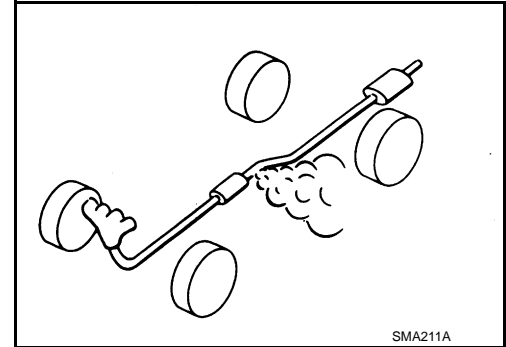
### EXHAUST SYSTEM

#### Inspection

INFOID:000000007512331

Check exhaust pipes, muffler and mounting for improper attachment, leakage, cracks, damage or deterioration.

- If damage is found, repair or replace damaged parts.



# EXHAUST SYSTEM

< REMOVAL AND INSTALLATION >

[VQ35HR]

## REMOVAL AND INSTALLATION

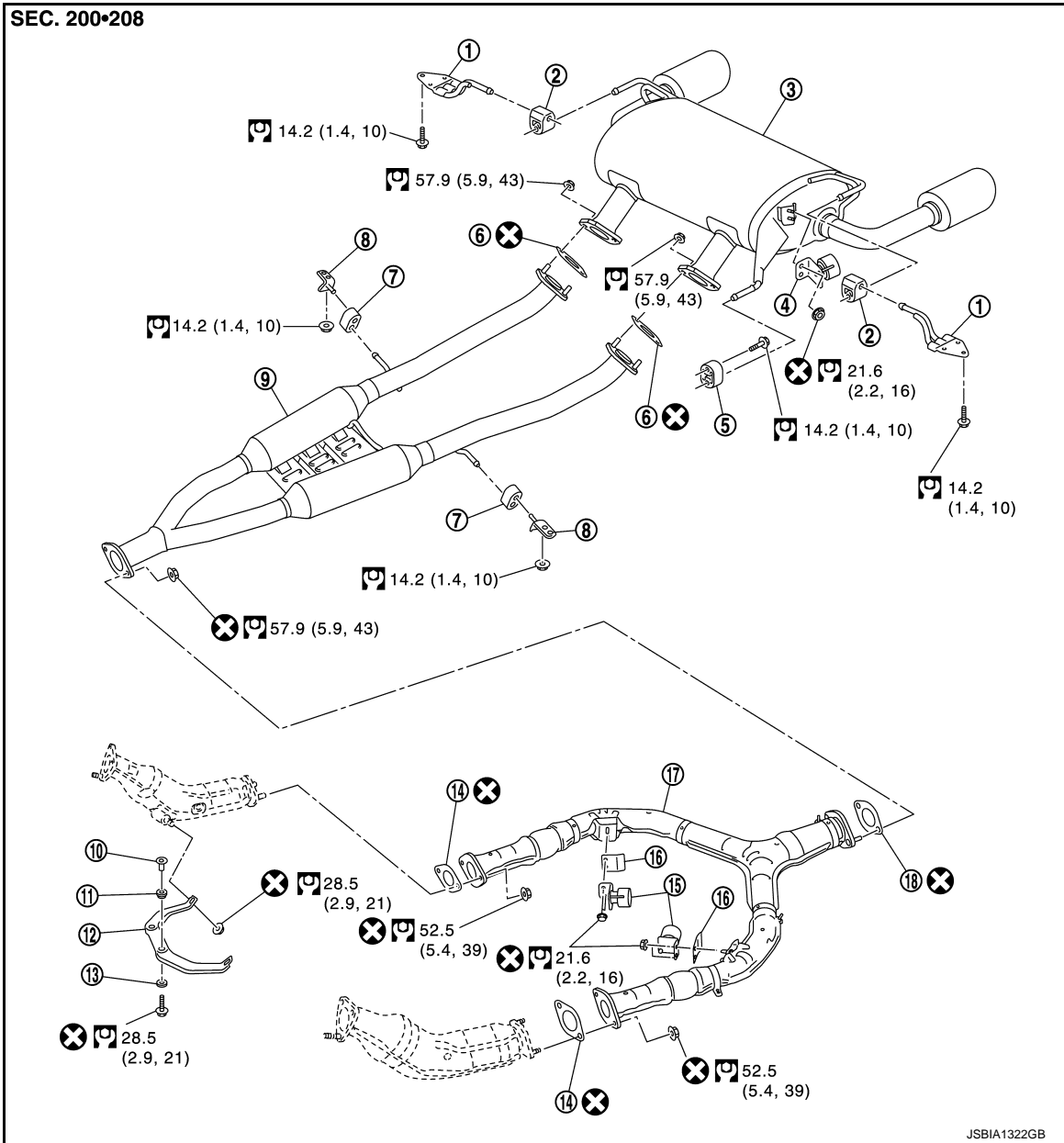
### EXHAUST SYSTEM

Exploded View

INFOID:000000007512332

A

EX



C

D

E

F

G

H

I

J

K

L

M

N

- |                     |                        |                              |
|---------------------|------------------------|------------------------------|
| 1. Mounting bracket | 2. Mounting rubber     | 3. Main muffler              |
| 4. Dynamic damper   | 5. Mounting rubber     | 6. Gasket                    |
| 7. Mounting rubber  | 8. Mounting bracket    | 9. Center muffler            |
| 10. Collar          | 11. Grommet            | 12. Exhaust mounting bracket |
| 13. Grommet         | 14. Gasket             | 15. Dynamic damper           |
| 16. Insulator       | 17. Exhaust front tube | 18. Gasket                   |

Refer to [GI-4, "Components"](#) for symbols in the figure.

### Removal and Installation

INFOID:000000007512333

#### REMOVAL

# EXHAUST SYSTEM

[VQ35HR]

## < REMOVAL AND INSTALLATION >

- Disconnect each joint and mounting using power tool.
- Remove heated oxygen sensor 2, if necessary. Refer to [EM-35, "Exploded View"](#).

## INSTALLATION

Note the following items, and install in the reverse order of removal.

- Check for deformation of the grommets (No. 11 and 13 of Components).
- Insert the collar (No. 10 of Components) vertically.
- Temporarily tighten bolts and nuts when installing exhaust pipe assembly. Tighten them to the specified torque when connecting the vehicle rear to the vehicle front.

### **CAUTION:**

- **Always replace exhaust tube gaskets with new ones when reassembling.**
- **Prevent rust preventives from adhering to the sensor body.**
- **If heat insulator is badly deformed, repair or replace it. If deposits such as mud pile up on the heat insulator, remove them.**
- **When installing heat insulator avoid large gaps or interference between heat insulator and each exhaust pipe.**
- **Remove deposits from the sealing surface of each connection. Connect them securely to avoid gases leakage.**
- **Check each part for unusual interference, and then tighten them to the specified torque.**
- **When installing each mounting rubber, avoid twisting or unusual extension in up/down and right/left directions.**

## Inspection

INFOID:000000007512334

## INSPECTION AFTER INSTALLATION

- Check clearance between tail tube and rear bumper is even.
- With engine running, check exhaust tube joints for gas leakage and unusual noises.
- Check to ensure that mounting brackets and mounting rubbers are installed properly and free from undue stress. Improper installation could result in excessive noise and vibration.

# PRECAUTION

## PRECAUTIONS

### Removal and Installation

INFOID:000000007512335



**CAUTION:**

- Be sure to use genuine exhaust system parts or equivalents which are specially designed for heat resistance, corrosion resistance, and shape.
- Perform the operation with the exhaust system fully cooled down because the system will be hot just after engine stops.
- Be careful not to cut your hand on the heat insulator edge.

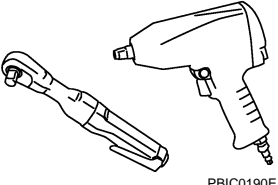
A  
C  
D  
E  
F  
G  
H  
I  
J  
K  
L  
M  
N  
O  
P

PREPARATION

PREPARATION

Commercial Service Tool

INFOID:000000007512336

Tool name	Description
<p data-bbox="162 411 272 441">Power tool</p>  <p data-bbox="828 630 901 646">PBIC0190E</p>	<p data-bbox="1015 411 1263 441">Loosening bolts and nuts</p>



## PERIODIC MAINTENANCE

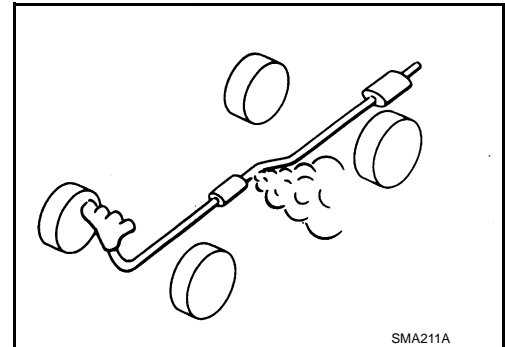
### EXHAUST SYSTEM

#### Inspection

Check exhaust pipes, muffler and mounting for improper attachment, leakage, cracks, damage or deterioration.

- If damage is found, repair or replace damaged parts.

INFOID:000000007512337



A

EX

C

D

E

F

G

H

I

J

K

L

M

N

O

P

# EXHAUST SYSTEM

< REMOVAL AND INSTALLATION >

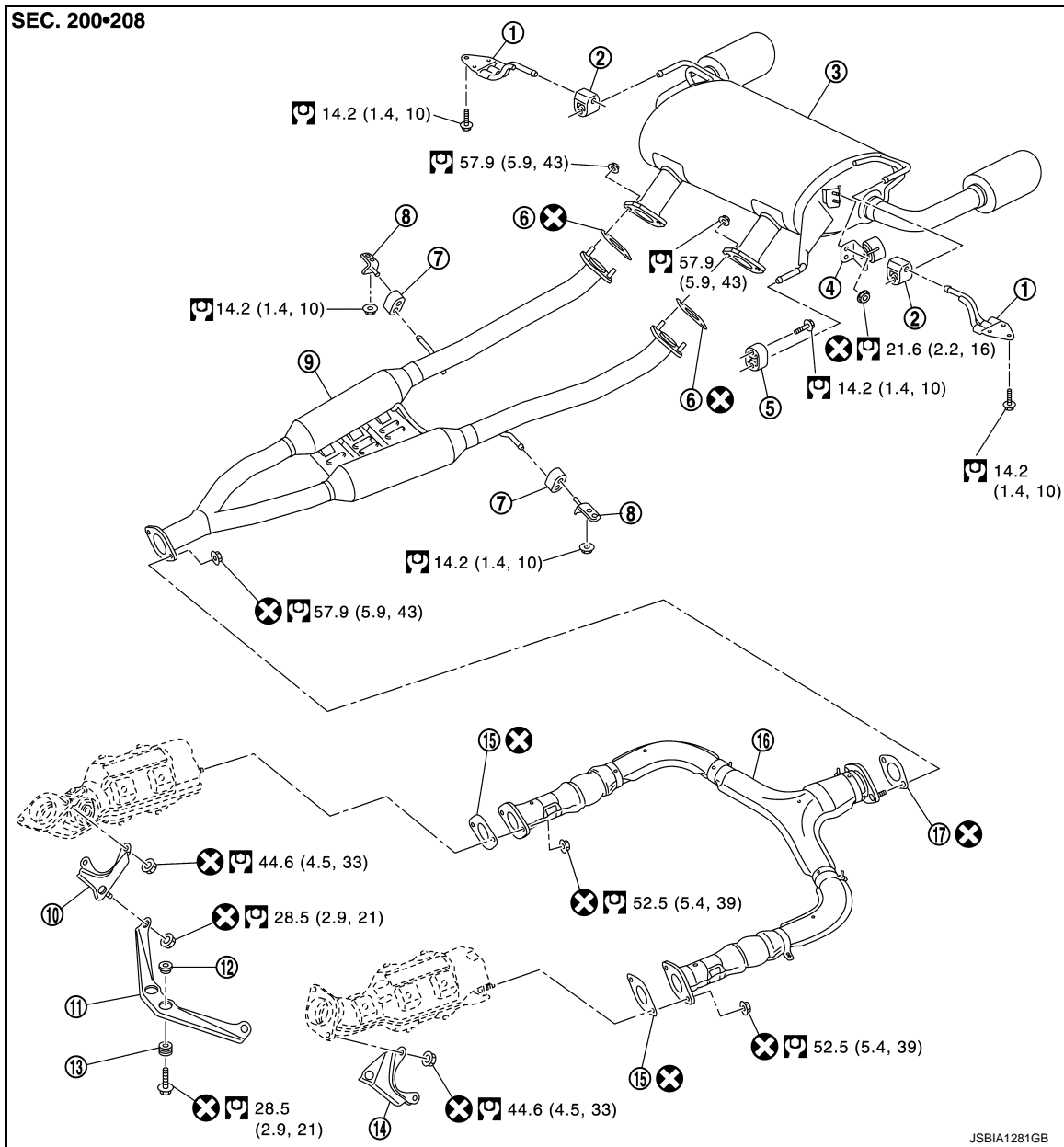
[VK50VE]

## REMOVAL AND INSTALLATION

### EXHAUST SYSTEM

Exploded View

INFOID:000000007512338



JSBIA1281GB

- |                                   |                                   |                   |
|-----------------------------------|-----------------------------------|-------------------|
| 1. Mounting bracket               | 2. Mounting rubber                | 3. Main muffler   |
| 4. Dynamic damper                 | 5. Mounting rubber                | 6. Gasket         |
| 7. Mounting rubber                | 8. Mounting bracket               | 9. Center muffler |
| 10. Exhaust mounting bracket (RH) | 11. Exhaust mounting bracket      | 12. Collar        |
| 13. Grommet                       | 14. Exhaust mounting bracket (LH) | 15. Gasket        |
| 16. Exhaust front tube            | 17. Gasket                        |                   |

Refer to [GI-4. "Components"](#) for symbols in the figure.

## Removal and Installation

INFOID:000000007512339

### REMOVAL

# EXHAUST SYSTEM

< REMOVAL AND INSTALLATION >

[VK50VE]

- Disconnect each joint and mounting using power tool.
- Remove heated oxygen sensor 2, if necessary. Refer to [EM-207, "Exploded View"](#).

A

## INSTALLATION

Note the following items, and install in the reverse order of removal.

- Check for deformation of the grommets (No. 13 of Components).
- Insert the collar (No. 12 of Components) vertically.
- Temporarily tighten bolts and nuts when installing exhaust pipe assembly. Tighten them to the specified torque when connecting the vehicle rear to the vehicle front.

EX

C

### CAUTION:

- **Always replace exhaust tube gaskets with new ones when reassembling.**
- **Prevent rust preventives from adhering to the sensor body.**
- **If heat insulator is badly deformed, repair or replace it. If deposits such as mud pile up on the heat insulator, remove them.**
- **When installing heat insulator avoid large gaps or interference between heat insulator and each exhaust pipe.**
- **Remove deposits from the sealing surface of each connection. Connect them securely to avoid gases leakage.**
- **Check each part for unusual interference, and then tighten them to the specified torque.**
- **When installing each mounting rubber, avoid twisting or unusual extension in up/down and right/left directions.**

D

E

F

## Inspection

INFOID:000000007512340

G

## INSPECTION AFTER INSTALLATION

- Check clearance between tail tube and rear bumper is even.
- With engine running, check exhaust tube joints for gas leakage and unusual noises.
- Check to ensure that mounting brackets and mounting rubbers are installed properly and free from undue stress. Improper installation could result in excessive noise and vibration.

H

I

J

K

L

M

N

O

P