

SECTION **PWO**  
POWER OUTLET

A  
B  
C  
D  
E  
F  
G  
H  
I  
J  
K  
L  
N  
O  
P

CONTENTS

<b>DTC/CIRCUIT DIAGNOSIS</b> .....	2	FRONT POWER SOCKET : Removal and Installation .....	4
<b>POWER SOCKET</b> .....	2	<b>CONSOLE POWER SOCKET</b> .....	4
Wiring Diagram - POWER SOCKET - .....	2	CONSOLE POWER SOCKET : Exploded View .....	5
<b>PRECAUTION</b> .....	3	CONSOLE POWER SOCKET : Removal and Installation .....	5
<b>PRECAUTIONS</b> .....	3	<b>REAR POWER SOCKET</b> .....	5
Precaution for Supplemental Restraint System (SRS) "AIR BAG" and "SEAT BELT PRE-TENSIONER" .....	3	REAR POWER SOCKET : Exploded View .....	5
<b>REMOVAL AND INSTALLATION</b> .....	4	REAR POWER SOCKET : Removal and Installation .....	5
<b>POWER SOCKET</b> .....	4	<b>LUGGAGE ROOM POWER SOCKET</b> .....	6
<b>FRONT POWER SOCKET</b> .....	4	LUGGAGE ROOM POWER SOCKET : Exploded View .....	6
FRONT POWER SOCKET : Exploded View .....	4	LUGGAGE ROOM POWER SOCKET : Removal and Installation .....	6

PWO



# PRECAUTIONS

< PRECAUTION >

## PRECAUTION

### PRECAUTIONS

#### Precaution for Supplemental Restraint System (SRS) "AIR BAG" and "SEAT BELT PRE-TENSIONER"

INFOID:000000007520928

The Supplemental Restraint System such as "AIR BAG" and "SEAT BELT PRE-TENSIONER", used along with a front seat belt, helps to reduce the risk or severity of injury to the driver and front passenger for certain types of collision. This system includes seat belt switch inputs and dual stage front air bag modules. The SRS system uses the seat belt switches to determine the front air bag deployment, and may only deploy one front air bag, depending on the severity of a collision and whether the front occupants are belted or unbelted. Information necessary to service the system safely is included in the "SRS AIR BAG" and "SEAT BELT" of this Service Manual.

#### **WARNING:**

Always observe the following items for preventing accidental activation.

- To avoid rendering the SRS inoperative, which could increase the risk of personal injury or death in the event of a collision that would result in air bag inflation, all maintenance must be performed by an authorized NISSAN/INFINITI dealer.
- Improper maintenance, including incorrect removal and installation of the SRS, can lead to personal injury caused by unintentional activation of the system. For removal of Spiral Cable and Air Bag Module, see "SRS AIR BAG".
- Never use electrical test equipment on any circuit related to the SRS unless instructed to in this Service Manual. SRS wiring harnesses can be identified by yellow and/or orange harnesses or harness connectors.

#### PRECAUTIONS WHEN USING POWER TOOLS (AIR OR ELECTRIC) AND HAMMERS

#### **WARNING:**

Always observe the following items for preventing accidental activation.

- When working near the Air Bag Diagnosis Sensor Unit or other Air Bag System sensors with the ignition ON or engine running, never use air or electric power tools or strike near the sensor(s) with a hammer. Heavy vibration could activate the sensor(s) and deploy the air bag(s), possibly causing serious injury.
- When using air or electric power tools or hammers, always switch the ignition OFF, disconnect the battery, and wait at least 3 minutes before performing any service.

A  
B  
C  
D  
E  
F  
G  
H  
I  
J  
K  
L

PWO

N  
O  
P

# POWER SOCKET

< REMOVAL AND INSTALLATION >

## REMOVAL AND INSTALLATION

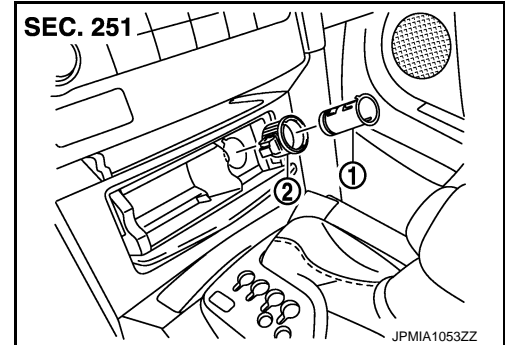
### POWER SOCKET

#### FRONT POWER SOCKET

#### FRONT POWER SOCKET : Exploded View

INFOID:000000007520929

- 1 : Inner socket
- 2 : Ring

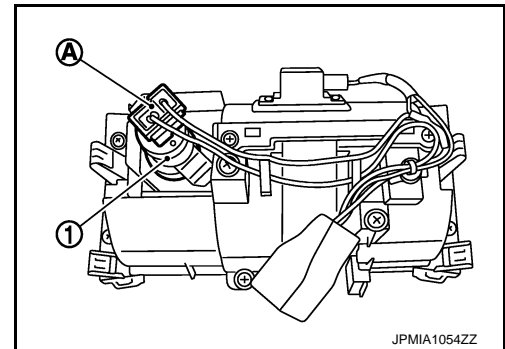


#### FRONT POWER SOCKET : Removal and Installation

INFOID:000000007520930

#### REMOVAL

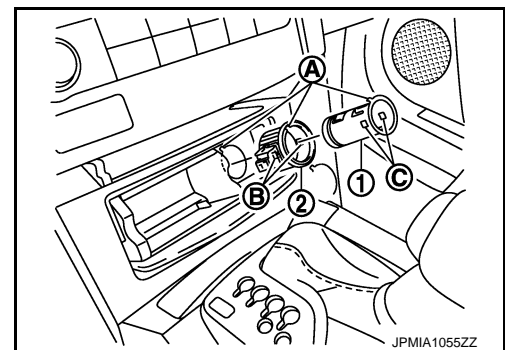
1. Remove console pocket assembly. Refer to [IP-22. "Exploded View"](#).
2. Disconnect power socket connector (A) from reverse side inner socket (1).



3. Pull out inner socket (1) by pushing the ring pawl (B) from the inner socket hole (square) (C).

A : Cut out

4. Remove ring (2) from console pocket assembly while pressing pawls.



#### INSTALLATION

Install in the reverse order of removal.

#### NOTE:

Align the cut outs of inner socket, ring, and console pocket assembly.

#### CONSOLE POWER SOCKET

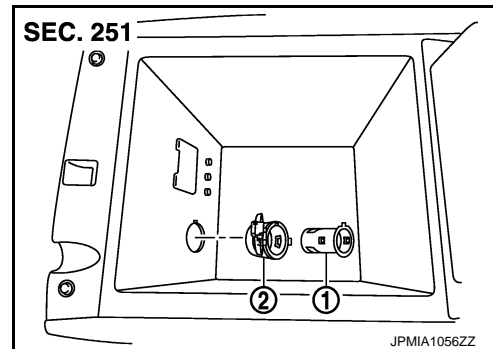
# POWER SOCKET

< REMOVAL AND INSTALLATION >

## CONSOLE POWER SOCKET : Exploded View

INFOID:000000007520931

- 1 : Inner socket
- 2 : Ring



## CONSOLE POWER SOCKET : Removal and Installation

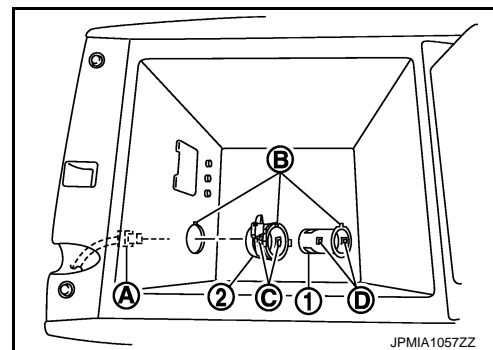
INFOID:000000007520932

### REMOVAL

1. Remove center console assembly. Refer to [IP-22, "Exploded View"](#).
2. Disconnect power socket connector (A).

B : Cut out

3. Pull out inner socket (1) by pushing the ring pawl (C) from the inner socket hole (square) (D).
4. Remove ring (2) from console box assembly while pressing pawls.



### INSTALLATION

Install in the reverse order of removal.

#### NOTE:

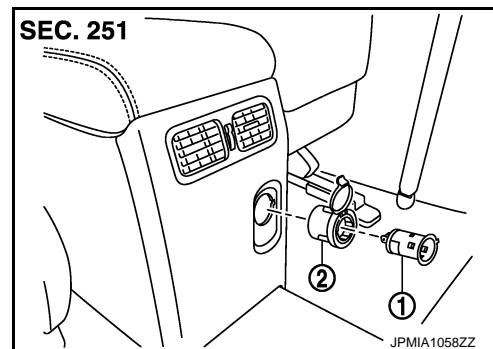
Align the cut outs of inner socket, ring, and console box assembly.

## REAR POWER SOCKET

## REAR POWER SOCKET : Exploded View

INFOID:000000007520933

- 1 : Inner socket
- 2 : Ring



## REAR POWER SOCKET : Removal and Installation

INFOID:000000007520934

### REMOVAL

1. Remove console rear finisher. Refer to [IP-22, "Exploded View"](#).

A  
B  
C  
D  
E  
F  
G  
H  
I  
J  
K  
L  
PWO  
N  
O  
P

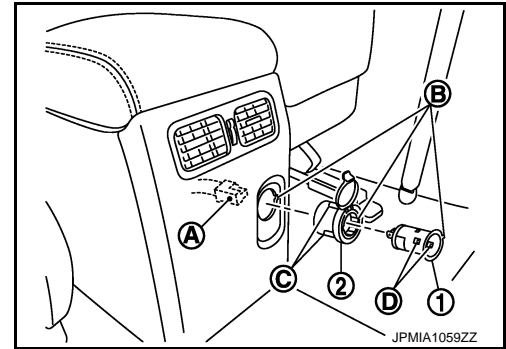
# POWER SOCKET

## < REMOVAL AND INSTALLATION >

2. Disconnect power socket connector (A).

B : Cut out

3. Pull out inner socket (1) by pushing the ring pawl (C) from the inner socket hole (square) (D).
4. Remove ring (2) from console rear finisher while pressing pawls.



## INSTALLATION

Install in the reverse order of removal.

### NOTE:

Align the cut outs of inner socket, ring, and console rear finisher.

## LUGGAGE ROOM POWER SOCKET

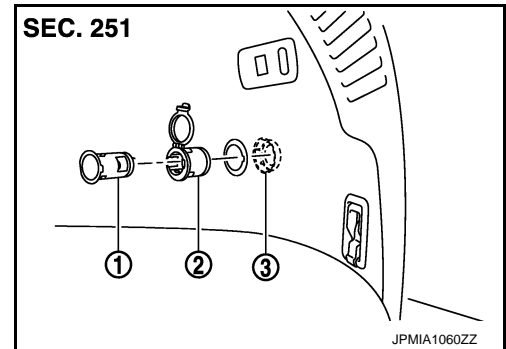
### LUGGAGE ROOM POWER SOCKET : Exploded View

INFOID:000000007520935

1 : Inner socket

2 : Ring

3 : Retainer



### LUGGAGE ROOM POWER SOCKET : Removal and Installation

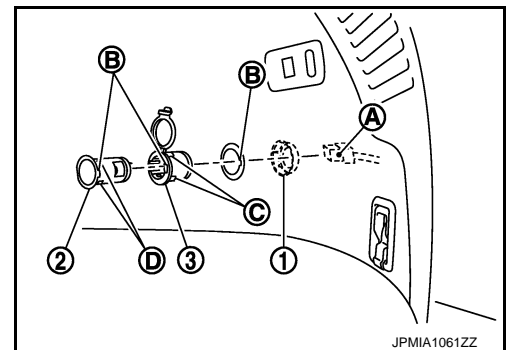
INFOID:000000007520936

## REMOVAL

1. Remove clips on the back of the luggage side finisher lower (RH) to obtain space for work. Refer to [INT-29. "Exploded View"](#).
2. Disconnect power socket connector (A).

B : Cut out

3. Remove retainer (1) and remove power socket assembly.
4. Pull out inner socket (2) by pushing the ring pawl (C) from the inner socket hole (square) (D).
5. Remove ring (3) from luggage side finisher lower (RH) while pressing pawls.



## INSTALLATION

Install in the reverse order of removal.

### NOTE:

Align the cut outs of inner socket, ring, and luggage side finisher lower (RH).