

A  
LU  
C  
D  
E  
F  
G  
H  
I  
J  
K  
L  
M  
N  
O  
P

# SECTION LU

## ENGINE LUBRICATION SYSTEM

### CONTENTS

<b>QR25DE</b>	<b>VQ40DE</b>
<b>PRECAUTION</b> ..... 3	<b>PRECAUTION</b> ..... 17
<b>PRECAUTIONS</b> ..... 3	<b>PRECAUTIONS</b> ..... 17
Caution for Supplemental Restraint System (SRS) "AIR BAG" and "SEAT BELT PRE-TENSIONER" ..... 3	Caution for Supplemental Restraint System (SRS) "AIR BAG" and "SEAT BELT PRE-TENSIONER" ..... 17
Caution for Liquid Gasket ..... 3	Caution for Liquid Gasket ..... 17
<b>PREPARATION</b> ..... 5	<b>PREPARATION</b> ..... 19
<b>PREPARATION</b> ..... 5	<b>PREPARATION</b> ..... 19
Special Service Tool ..... 5	Special Service Tool ..... 19
Commercial Service Tool ..... 5	Commercial Service Tool ..... 19
<b>SYSTEM DESCRIPTION</b> ..... 7	<b>SYSTEM DESCRIPTION</b> ..... 21
<b>LUBRICATION SYSTEM</b> ..... 7	<b>LUBRICATION SYSTEM</b> ..... 21
Lubrication Circuit ..... 7	Lubrication Circuit ..... 21
System Chart ..... 8	System Chart ..... 21
<b>PERIODIC MAINTENANCE</b> ..... 9	<b>PERIODIC MAINTENANCE</b> ..... 22
<b>ENGINE OIL</b> ..... 9	<b>ENGINE OIL</b> ..... 22
Inspection ..... 9	Inspection ..... 22
Changing Engine Oil ..... 10	Changing Engine Oil ..... 23
<b>OIL FILTER</b> ..... 12	<b>OIL FILTER</b> ..... 25
Removal and Installation ..... 12	Removal and Installation ..... 25
<b>REMOVAL AND INSTALLATION</b> ..... 14	<b>REMOVAL AND INSTALLATION</b> ..... 27
<b>OIL COOLER</b> ..... 14	<b>OIL COOLER</b> ..... 27
Exploded View ..... 14	Exploded View ..... 27
Removal and Installation ..... 14	Removal and Installation ..... 27
<b>SERVICE DATA AND SPECIFICATIONS (SDS)</b> ..... 16	<b>OIL PUMP</b> ..... 30
<b>SERVICE DATA AND SPECIFICATIONS (SDS)</b> ..... 16	Exploded View ..... 30
Standard and Limit ..... 16	Removal and Installation ..... 30
	<b>UNIT DISASSEMBLY AND ASSEMBLY</b> ... 32

---

<b>OIL PUMP</b> .....	32	<b>SERVICE DATA AND SPECIFICATIONS</b>	
Disassembly and Assembly .....	32	<b>(SDS)</b> .....	34
<b>SERVICE DATA AND SPECIFICATIONS</b>		Standard and Limit .....	34
<b>(SDS)</b> .....	34		

PRECAUTION

PRECAUTIONS

Precaution for Supplemental Restraint System (SRS) "AIR BAG" and "SEAT BELT PRE-TENSIONER"

INFOID:0000000012567491

The Supplemental Restraint System such as "AIR BAG" and "SEAT BELT PRE-TENSIONER", used along with a front seat belt, helps to reduce the risk or severity of injury to the driver and front passenger for certain types of collision. This system includes seat belt switch inputs and dual stage front air bag modules. The SRS system uses the seat belt switches to determine the front air bag deployment, and may only deploy one front air bag, depending on the severity of a collision and whether the front occupants are belted or unbelted. Information necessary to service the system safely is included in the SR and SB section of this Service Manual.

**WARNING:**

- To avoid rendering the SRS inoperative, which could increase the risk of personal injury or death in the event of a collision which would result in air bag inflation, all maintenance must be performed by an authorized NISSAN/INFINITI dealer.
- Improper maintenance, including incorrect removal and installation of the SRS, can lead to personal injury caused by unintentional activation of the system. For removal of Spiral Cable and Air Bag Module, see the SR section.
- Do not use electrical test equipment on any circuit related to the SRS unless instructed to in this Service Manual. SRS wiring harnesses can be identified by yellow and/or orange harnesses or harness connectors.

PRECAUTIONS WHEN USING POWER TOOLS (AIR OR ELECTRIC) AND HAMMERS

**WARNING:**

- When working near the Airbag Diagnosis Sensor Unit or other Airbag System sensors with the Ignition ON or engine running, DO NOT use air or electric power tools or strike near the sensor(s) with a hammer. Heavy vibration could activate the sensor(s) and deploy the air bag(s), possibly causing serious injury.
- When using air or electric power tools or hammers, always switch the Ignition OFF, disconnect the battery, and wait at least three minutes before performing any service.

Precaution for Liquid Gasket

INFOID:0000000012567492

REMOVAL OF LIQUID GASKET

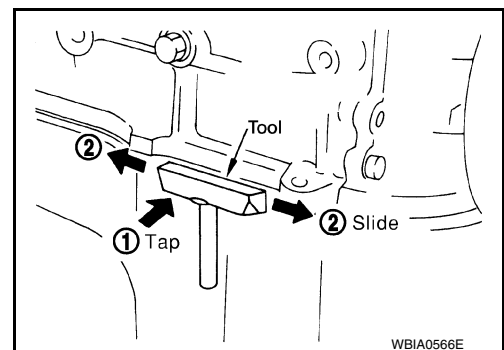
**CAUTION:**

Do not damage the mating surfaces.

- After removing the bolts and nuts, separate the mating surface and remove the old liquid gasket using Tool.

**Tool number : KV10111100 (J-37228)**

- Tap the seal cutter to insert it (1).
- In areas where the Tool is difficult to use, lightly tap to slide it (2).



LIQUID GASKET APPLICATION PROCEDURE

A  
C  
D  
E  
F  
G  
H  
I  
J  
K  
L  
M  
N  
O  
P

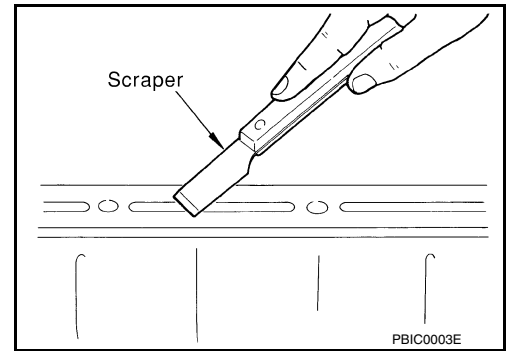
LU

# PRECAUTIONS

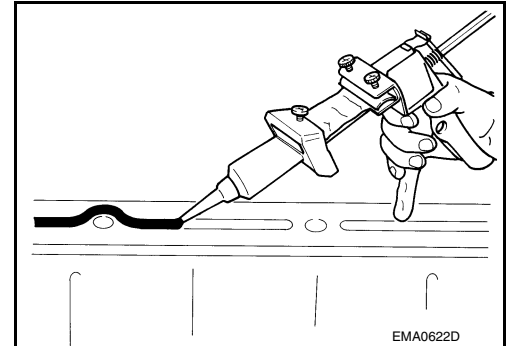
[QR25DE]

## < PRECAUTION >

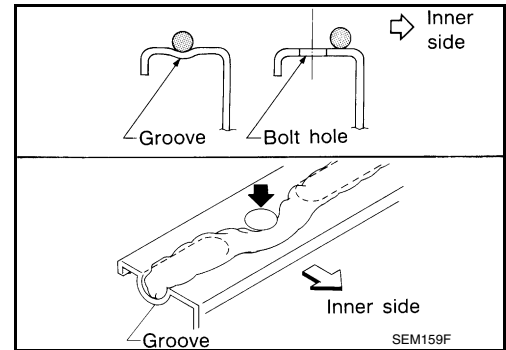
1. Remove the old liquid gasket adhering to the gasket application surface and the mating surface using suitable tool.
  - Remove the liquid gasket completely from the groove of the liquid gasket application surface, bolts, and bolt holes.
2. Thoroughly clean the mating surfaces and remove adhering moisture, grease and foreign material.



3. Attach the liquid gasket tube to the suitable tool.  
**Use Genuine RTV Silicone Sealant or equivalent. Refer to [GI-21, "Recommended Chemical Products and Sealants"](#).**
4. Apply the liquid gasket without breaks to the specified location with the specified dimensions.



- If there is a groove for the liquid gasket application, apply the liquid gasket to the groove.
- Normally apply the liquid gasket on the inside edge of the bolt holes. Also apply to the outside edge of the bolt holes when specified in the procedure.
- Within five minutes of liquid gasket application, install the mating component.
- If the liquid gasket protrudes, wipe it off immediately.
- Do not retighten after the installation.
- Wait 30 minutes or more after installation before refilling the engine with oil or coolant.



### **CAUTION:**

**If there are more specific instructions in the procedures contained in this manual concerning liquid gasket application, observe them.**

# PREPARATION

< PREPARATION >

[QR25DE]

## PREPARATION

### PREPARATION

#### Special Service Tool

INFOID:0000000012567493

A

LU

The actual shape of the tools may differ from those illustrated here.

Tool number (TechMate No.) Tool name	Description
ST25051001 (J-25695-1) Oil pressure gauge	Measuring oil pressure <b>Maximum measuring range:</b> <b>2,452 kPa (25 kg/cm<sup>2</sup>, 356 psi)</b>
ST25052000 (J-25695-2) Hose	Adapting oil pressure gauge to oil pan (upper)
KV10111100 (J-37228) Seal cutter	Removing oil pan and front cover, etc.
KV10115801 (J-38956) Oil filter wrench	Removing and installing oil filter <b>a: 64.3 mm (2.531 in)</b>

C

D

E

F

G

H

I

J

K

L

M

N

O

P


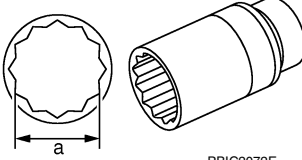
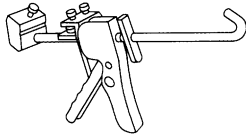
#### Commercial Service Tool

INFOID:0000000012567494

# PREPARATION

< PREPARATION >

[QR25DE]

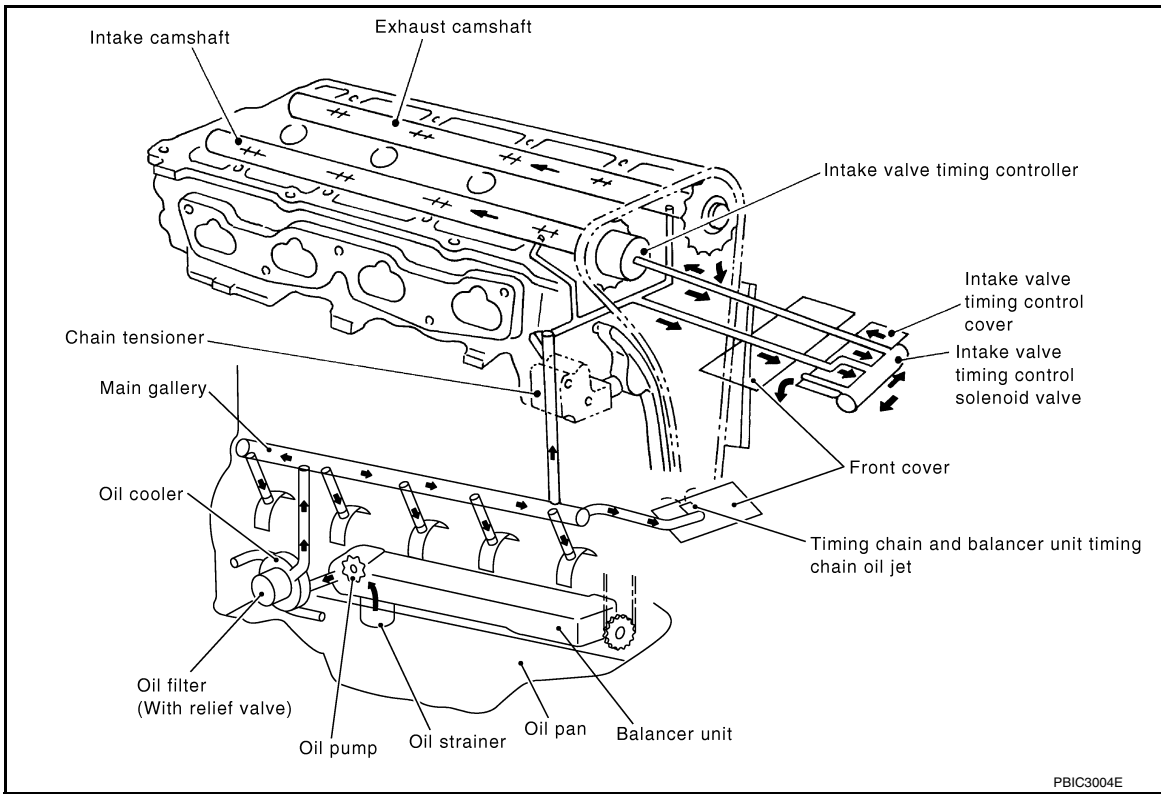
Tool name	Description
<p>Power tool</p>  <p style="text-align: right;">PIIB1407E</p>	<p>Loosening nuts, screws and bolts</p>
<p>Deep socket</p>  <p style="text-align: right;">PBIC2072E</p>	<p>Removing and installing oil pressure switch  <b>a: 24 mm (0.94 in)</b></p>
<p>Tube presser</p>  <p style="text-align: right;">NT052</p>	<p>Pressing the tube of liquid gasket</p>

## SYSTEM DESCRIPTION

### LUBRICATION SYSTEM

#### Lubrication Circuit

INFOID:0000000012567495



A

LU

C

D

E

F

G

H

I

J

K

L

M

N

O

P

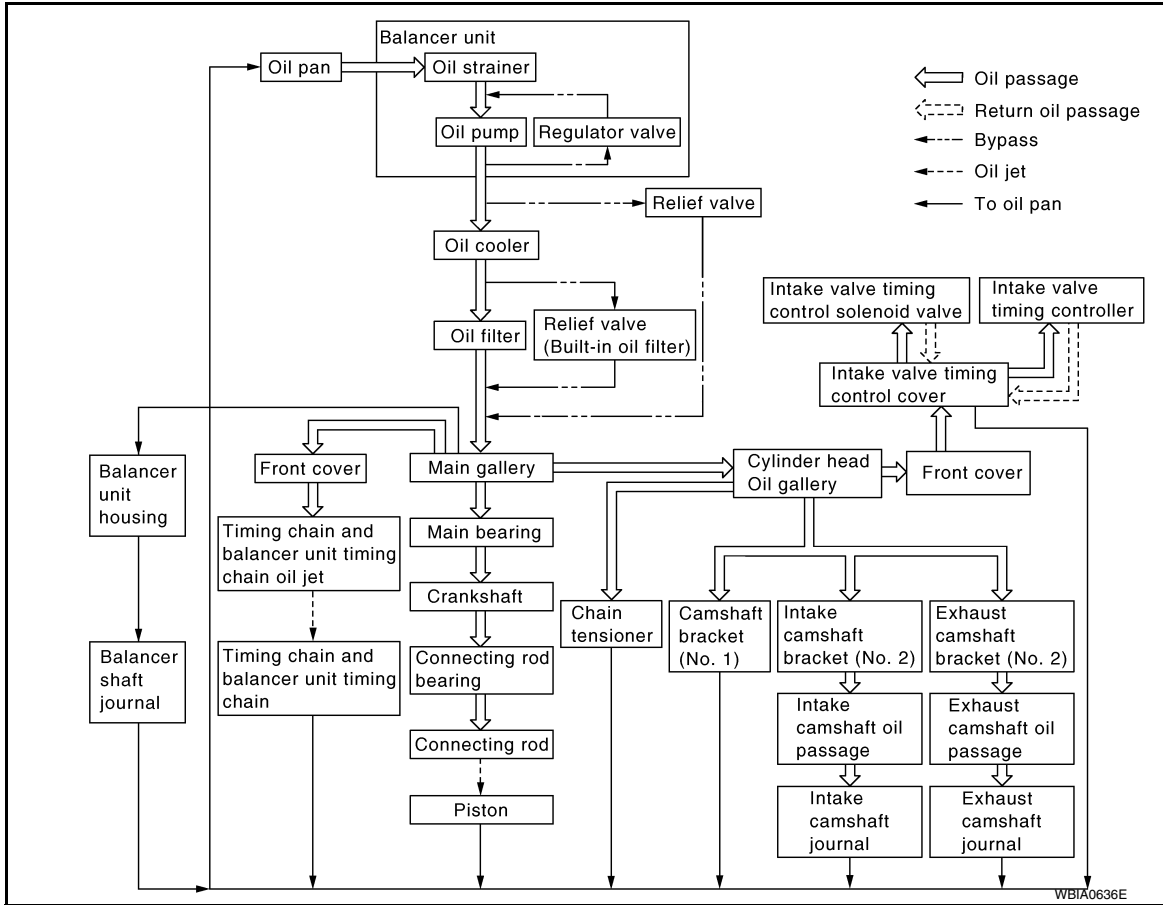
# LUBRICATION SYSTEM

< SYSTEM DESCRIPTION >

[QR25DE]

## System Chart

INFOID:000000012567496





# PERIODIC MAINTENANCE

## ENGINE OIL

### Inspection

INFOID:0000000012567497

LU

#### OIL LEVEL

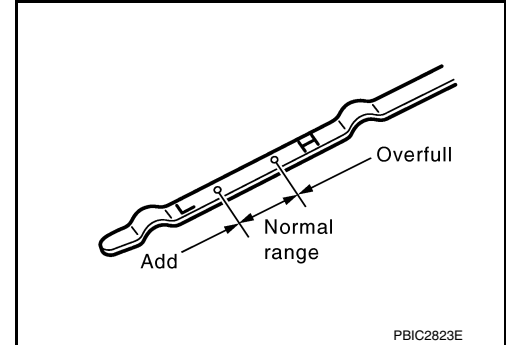
- Before starting the engine make sure the vehicle is parked on a flat and level surface, then check the oil level. If the engine is already running, turn it off and allow 10 minutes before checking.
- Pull out oil level gauge and wipe clean.
- Insert oil level gauge.
- Check that the oil level is within the low (L) and high (H) range as indicated on the dipstick.
- If the engine oil level is out of range, add oil as necessary. Refer to [MA-18, "FOR USA AND CANADA : Fluids and Lubricants"](#).

#### CAUTION:

**Do not overfill the engine with oil.**

#### NOTE:

It is normal to add some oil between oil maintenance intervals or during the break-in period, depending on the severity of the operating conditions.



#### OIL APPEARANCE

- Check the engine oil for a white milky appearance or excessive contamination.
- If the engine oil is milky, it is highly probable that it is contaminated with engine coolant. Repair or replace damaged parts.

#### OIL LEAKAGE

Check for engine oil leakage around the following area.

- Oil pan
- Oil pan drain plug
- Oil pressure switch
- Oil filter
- Oil cooler
- Intake valve timing control cover and intake valve timing control solenoid valve
- Front cover
- Mating surface between cylinder block and lower cylinder block
- Mating surface between cylinder block and cylinder head
- Mating surface between cylinder head and rocker cover
- Crankshaft oil seals (front and rear)

#### OIL PRESSURE CHECK

#### WARNING:

- **Be careful not to burn yourself, as the engine and engine oil may be hot.**
- **Put the A/T shift selector in the Park (P) position (A/T models) or Neutral position (M/T models), and apply parking brake securely.**

1. Check engine oil level. Refer to [LU-9, "Inspection"](#).
2. Disconnect the harness connector from oil pressure switch.
3. Remove oil pressure switch using a suitable tool. Refer to [EM-81, "Exploded View"](#).

#### CAUTION:

**Do not drop or shock oil pressure switch.**

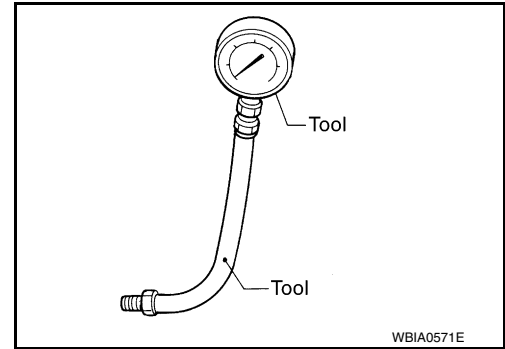
# ENGINE OIL

< PERIODIC MAINTENANCE >

[QR25DE]

## 4. Install Tools.

**Tool numbers** : ST25051001 (J-25695-1)  
: ST25052000 (J-25695-2)



5. Start the engine and warm it up to normal operating temperature.
6. Check the engine oil pressure with engine running under no-load. Refer to [LU-16, "Standard and Limit"](#).  
**CAUTION:**
  - If the difference between the test results and the specification is extreme, check the oil passages and oil pump for leaks and blockages.
  - The oil pump and balancer must be replaced as a unit.
7. After the inspections, install oil pressure switch as follows:
  - a. Remove old liquid gasket adhering to oil pressure switch and the engine.
  - b. Apply liquid gasket and tighten oil pressure switch to the specification.  
**Use Genuine RTV Silicone Sealant or equivalent. Refer to [GI-21, "Recommended Chemical Products and Sealants"](#).**

**Oil pressure switch torque** : 14.7 N·m (1.5 kg·m, 11 ft·lb)

- c. After warming up engine, make sure there are no engine oil leaks.

## Changing Engine Oil

INFOID:000000012567498

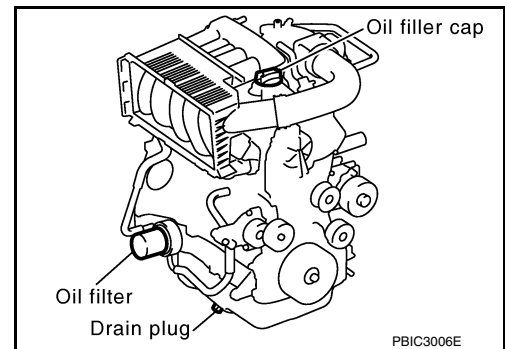
### **WARNING:**

- Be careful not to burn yourself, as the engine and engine oil may be hot.
  - Prolonged and repeated contact with used engine oil may cause skin cancer; try to avoid direct skin contact with used oil. If skin contact is made, wash thoroughly with soap or hand cleaner as soon as possible.
1. Warm up the engine and check for oil leaks
  2. Stop the engine and wait for at least 10 minutes.
  3. Remove the oil drain plug and oil filler cap to drain the old oil.
  4. Install a new washer on the oil drain plug, then install the oil drain plug in the oil pan.

### **CAUTION:**

- Clean the drain plug and install with new washer.
- Do not reuse copper sealing washers.

**Oil drain plug:** : Refer to [EM-34, "Exploded View"](#).



5. Refill the engine with new specified engine oil.

**Oil grade and viscosity** : Refer to [MA-18, "FOR USA AND CANADA : Fluids and Lubricants"](#).

**Oil capacity** : Refer to [LU-16, "Standard and Limit"](#).

### **CAUTION:**

The refill capacity depends on the oil temperature and drain time. Use the "Refill oil capacity" values as a reference and check the oil level using the dipstick when filling the engine with oil.

# ENGINE OIL

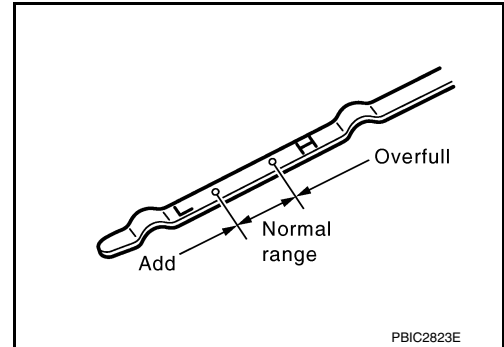
[QR25DE]

## < PERIODIC MAINTENANCE >

6. Warm up the engine and check the area around the drain plug and oil filter for oil leaks. Repair as necessary.
7. Stop the engine and wait for more than 10 minutes.
8. Check the oil level using the dipstick as shown. Add oil as necessary and install the oil filler cap. Refer to [LU-9, "Inspection"](#).

**CAUTION:**

**Do not overfill the engine with oil.**



A

LU

C

D

E

F

G

H

I

J

K

L

M

N

O

P

## OIL FILTER

### Removal and Installation

INFOID:000000012567499

#### REMOVAL

1. Drain the engine oil. Refer to [LU-10, "Changing Engine Oil"](#).
2. Remove the oil filter using Tool as shown.

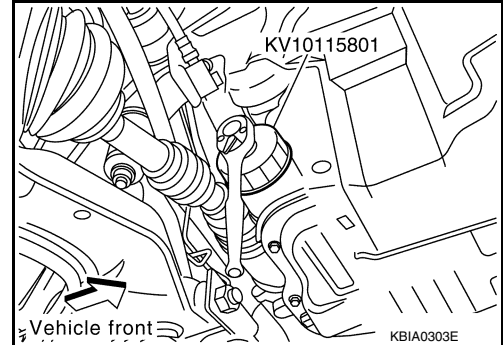
**Tool number** : KV10115801 (J-38956)

**WARNING:**

Be careful not to burn yourself, as the engine and engine oil may be hot.

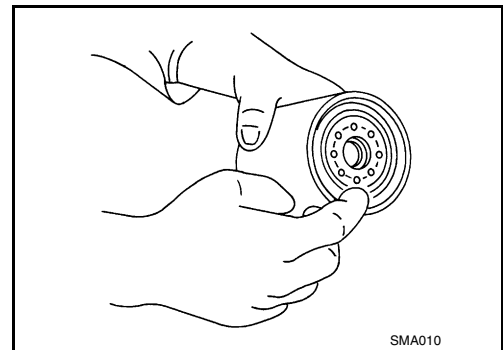
**CAUTION:**

- Oil filter is equipped with a pressure relief valve.
- Use Genuine NISSAN Oil Filter or equivalent.
- When removing, position a shop cloth to absorb engine oil leaks or spills.
- Do not allow engine oil to adhere to drive belts.
- Completely wipe off any engine oil that adheres to the engine and the vehicle.



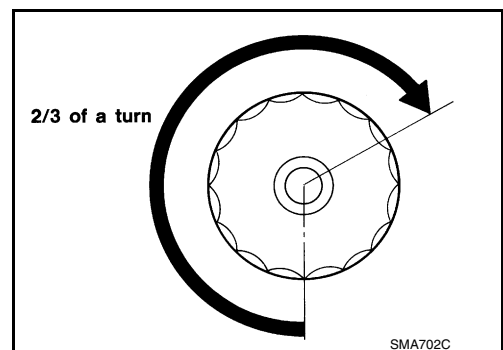
#### INSTALLATION

1. Remove foreign materials adhering to the oil filter seal mating surface.
2. Apply clean engine oil to the oil filter seal circumference of the new oil filter as shown.



3. Screw on the oil filter manually until it touches the installation surface, then tighten it by 2/3 turn as shown. Or tighten to specification.

**Oil filter** : 17.7 N·m (1.8 kg·m, 13 ft·lb)



4. Refill the engine with new engine oil. Refer to [LU-10, "Changing Engine Oil"](#).
5. Inspect the engine for oil leaks. Refer to [LU-9, "Inspection"](#).

#### INSPECTION AFTER INSTALLATION

- Before starting engine, check oil/fluid levels including engine coolant and engine oil. If less than required quantity, fill to the specified level. Refer to [MA-18, "FOR USA AND CANADA : Fluids and Lubricants"](#).
- Use procedure below to check for fuel leakage.
- Turn ignition switch ON (with engine stopped). With fuel pressure applied to fuel piping, check for fuel leakage at connection points.
- Start engine. With engine speed increased, check again for fuel leakage at connection points.
- Run engine to check for unusual noise and vibration.

**NOTE:**

# OIL FILTER

[QR25DE]

< PERIODIC MAINTENANCE >

A  
B  
**LU**  
C  
D  
E  
F  
G  
H  
I  
J  
K  
L  
M  
N  
O  
P

If hydraulic pressure inside timing chain tensioner drops after removal and installation, slack in the guide may generate a pounding noise during and just after engine start. However, this is normal. Noise will stop after hydraulic pressure rises.

- Warm up engine thoroughly to make sure there is no leakage of fuel, exhaust gas, or any oils/fluids including engine oil and engine coolant.
- Bleed air from passages in lines and hoses, such as in cooling system.
- After cooling down engine, again check oil/fluid levels including engine oil and engine coolant. Refill to specified level, if necessary.
- Summary of the inspection items:

Item		Before starting engine	Engine running	After engine stopped
Engine coolant		Level	Leakage	Level
Engine oil		Level	Leakage	Level
Transmission/ transaxle fluid	A/T and CVT Models	Leakage	Level/Leakage	Leakage
	M/T Models	Level/Leakage	Leakage	Level/Leakage
Other oils and fluids*		Level	Leakage	Level
Fuel		Leakage	Leakage	Leakage
Exhaust gas		—	Leakage	—

\*Power steering fluid, brake fluid, etc.

# OIL COOLER

< REMOVAL AND INSTALLATION >

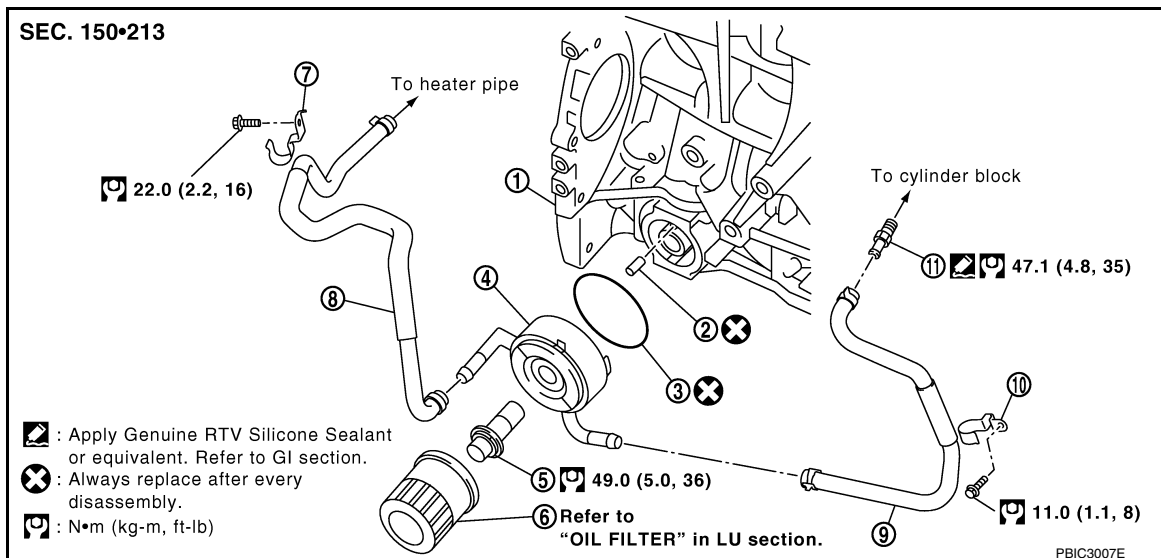
[QR25DE]

## REMOVAL AND INSTALLATION

### OIL COOLER

#### Exploded View

INFOID:000000012567500



- |                   |                     |               |
|-------------------|---------------------|---------------|
| 1. Cylinder block | 2. Relief valve     | 3. O-ring     |
| 4. Oil cooler     | 5. Connector bolt   | 6. Oil filter |
| 7. Bracket        | 8. Water hose       | 9. Water hose |
| 10. Bracket       | 11. Water connector |               |

#### Removal and Installation

INFOID:000000012567501

##### **WARNING:**

Be careful not to burn yourself, as the engine oil and engine coolant may be hot.

##### **CAUTION:**

- Do not spill engine coolant on the drive belts.
- Do not spill engine oil on rubber parts such as drive belts and engine mounting insulator.

##### **NOTE:**

When removing components such as hoses, tubes/lines, etc., cap or plug openings to prevent fluid from spilling.

##### REMOVAL

1. Drain engine coolant from radiator drain plug at the bottom of radiator and from water drain plug on cylinder block. Refer to [CO-12, "Changing Engine Coolant"](#) and [EM-81, "Exploded View"](#).

##### **NOTE:**

Perform this step only when removing water hoses.

2. Disconnect water hoses from oil cooler.

##### **CAUTION:**

Perform this step when engine is cold.

3. Remove oil filter. Refer to [LU-12, "Removal and Installation"](#).
4. Remove water hoses, brackets and water connector (if necessary).
5. Remove connector bolt, oil cooler, and O-ring.

##### **CAUTION:**

Do not reuse O-ring.

##### INSPECTION AFTER REMOVAL

###### Oil Cooler

Check oil cooler for cracks. Check oil cooler for clogging by blowing compressed air through engine coolant inlet. If necessary, replace oil cooler assembly.

# OIL COOLER

[QR25DE]

## < REMOVAL AND INSTALLATION >

### Relief Valve

Check relief valve for movement, cracks and breaks by pushing the ball. If necessary, replace relief valve.

### INSTALLATION

Installation is in the reverse order of removal.

- If replacement of the relief valve is necessary, install the new relief valve in place by tapping it in using suitable tool.

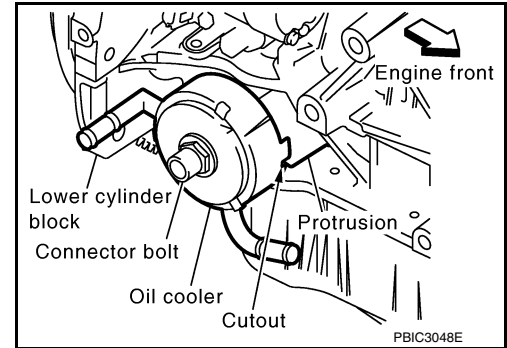
**CAUTION:**

**Do not reuse relief valve.**

- Confirm that no foreign objects are adhering to the sealing surfaces of the oil cooler and oil pan (upper).
- Tighten connector bolt after aligning cutout on oil cooler with protrusion on oil pan (upper) side.

**CAUTION:**

**Do not reuse O-ring.**



### INSPECTION AFTER INSTALLATION

- Before starting engine, check oil/fluid levels including engine coolant and engine oil. If less than required quantity, fill to the specified level. Refer to [MA-18. "FOR USA AND CANADA : Fluids and Lubricants"](#).
- Use procedure below to check for fuel leakage.
- Turn ignition switch ON (with engine stopped). With fuel pressure applied to fuel piping, check for fuel leakage at connection points.
- Start engine. With engine speed increased, check again for fuel leakage at connection points.
- Run engine to check for unusual noise and vibration.

**NOTE:**

If hydraulic pressure inside timing chain tensioner drops after removal and installation, slack in the guide may generate a pounding noise during and just after engine start. However, this is normal. Noise will stop after hydraulic pressure rises.

- Warm up engine thoroughly to make sure there is no leakage of fuel, exhaust gas, or any oils/fluids including engine oil and engine coolant.
- Bleed air from passages in lines and hoses, such as in cooling system.
- After cooling down engine, again check oil/fluid levels including engine oil and engine coolant. Refill to specified level, if necessary.
- Summary of the inspection items:

Item		Before starting engine	Engine running	After engine stopped
Engine coolant		Level	Leakage	Level
Engine oil		Level	Leakage	Level
Transmission/transaxle fluid	A/T and CVT Models	Leakage	Level/Leakage	Leakage
	M/T Models	Level/Leakage	Leakage	Level/Leakage
Other oils and fluids*		Level	Leakage	Level
Fuel		Leakage	Leakage	Leakage
Exhaust gas		—	Leakage	—

\*Power steering fluid, brake fluid, etc.

# SERVICE DATA AND SPECIFICATIONS (SDS)

< SERVICE DATA AND SPECIFICATIONS (SDS)

[QR25DE]

## SERVICE DATA AND SPECIFICATIONS (SDS)

### SERVICE DATA AND SPECIFICATIONS (SDS)

#### Standard and Limit

INFOID:0000000012567502

#### OIL PRESSURE

Unit: kPa (kg/cm<sup>2</sup>, psi)

Engine speed	Approximate discharge oil pressure*
Idle speed	More than 98 (1.0, 14)
2,000 rpm	More than 294 (3.0, 43)

\*: Engine oil temperature at 80° (176°F)

#### ENGINE OIL CAPACITY (APPROXIMATE)

Unit: ℓ (US qt, Imp qt)

Drain and refill	With oil filter change	4.6 (4-7/8, 4)
	Without oil filter change	4.3 (4-1/2, 3-3/4)
Dry engine (Overhaul)		5.0 (5-1/4, 4-3/8)



PRECAUTION

PRECAUTIONS

Precaution for Supplemental Restraint System (SRS) "AIR BAG" and "SEAT BELT PRE-TENSIONER"

INFOID:000000012567503

The Supplemental Restraint System such as "AIR BAG" and "SEAT BELT PRE-TENSIONER", used along with a front seat belt, helps to reduce the risk or severity of injury to the driver and front passenger for certain types of collision. This system includes seat belt switch inputs and dual stage front air bag modules. The SRS system uses the seat belt switches to determine the front air bag deployment, and may only deploy one front air bag, depending on the severity of a collision and whether the front occupants are belted or unbelted. Information necessary to service the system safely is included in the SR and SB section of this Service Manual.

**WARNING:**

- To avoid rendering the SRS inoperative, which could increase the risk of personal injury or death in the event of a collision which would result in air bag inflation, all maintenance must be performed by an authorized NISSAN/INFINITI dealer.
- Improper maintenance, including incorrect removal and installation of the SRS, can lead to personal injury caused by unintentional activation of the system. For removal of Spiral Cable and Air Bag Module, see the SR section.
- Do not use electrical test equipment on any circuit related to the SRS unless instructed to in this Service Manual. SRS wiring harnesses can be identified by yellow and/or orange harnesses or harness connectors.

PRECAUTIONS WHEN USING POWER TOOLS (AIR OR ELECTRIC) AND HAMMERS

**WARNING:**

- When working near the Airbag Diagnosis Sensor Unit or other Airbag System sensors with the Ignition ON or engine running, DO NOT use air or electric power tools or strike near the sensor(s) with a hammer. Heavy vibration could activate the sensor(s) and deploy the air bag(s), possibly causing serious injury.
- When using air or electric power tools or hammers, always switch the Ignition OFF, disconnect the battery, and wait at least three minutes before performing any service.

Precaution for Liquid Gasket

INFOID:000000012567504

REMOVAL OF LIQUID GASKET

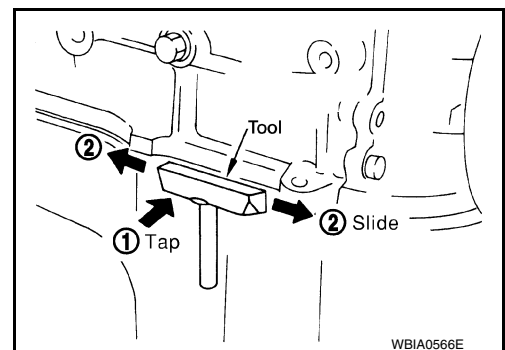
**CAUTION:**

Do not damage the mating surfaces.

- After removing the bolts and nuts, separate the mating surface and remove the old liquid gasket using Tool.

**Tool number : KV10111100 (J-37228)**

- Tap the seal cutter to insert it (1).
- In areas where the Tool is difficult to use, lightly tap to slide it (2).



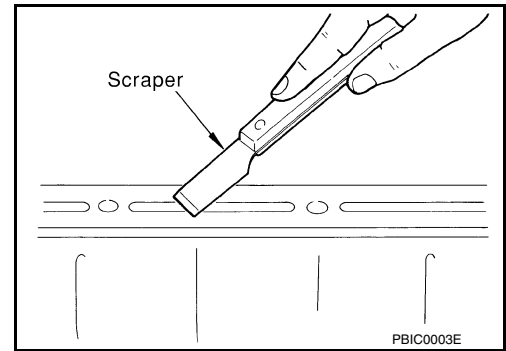
LIQUID GASKET APPLICATION PROCEDURE

# PRECAUTIONS

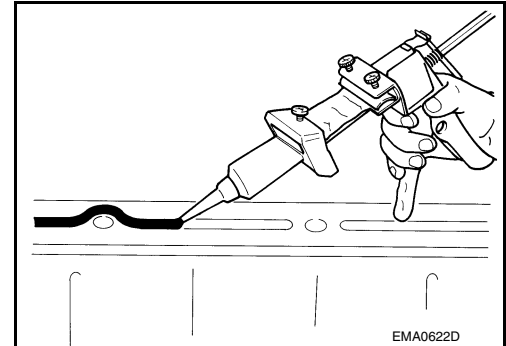
[VQ40DE]

## < PRECAUTION >

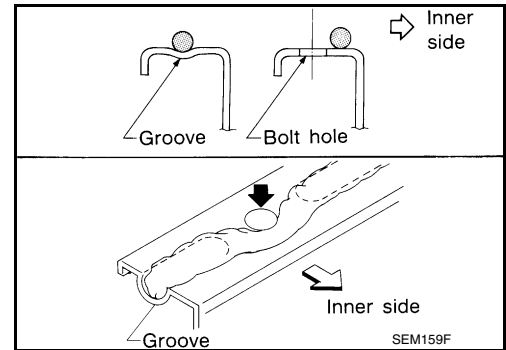
1. Remove the old liquid gasket adhering to the gasket application surface and the mating surface using suitable tool.
  - Remove the liquid gasket completely from the groove of the liquid gasket application surface, bolts, and bolt holes.
2. Thoroughly clean the mating surfaces and remove adhering moisture, grease and foreign material.



3. Attach the liquid gasket tube to the suitable tool.  
**Use Genuine RTV Silicone Sealant or equivalent. Refer to [GI-21, "Recommended Chemical Products and Sealants"](#).**
4. Apply the liquid gasket without breaks to the specified location with the specified dimensions.



- If there is a groove for the liquid gasket application, apply the liquid gasket to the groove.
- Normally apply the liquid gasket on the inside edge of the bolt holes. Also apply to the outside edge of the bolt holes when specified in the procedure.
- Within five minutes of liquid gasket application, install the mating component.
- If the liquid gasket protrudes, wipe it off immediately.
- Do not retighten after the installation.
- Wait 30 minutes or more after installation before refilling the engine with oil or coolant.



### CAUTION:

If there are more specific instructions in the procedures contained in this manual concerning liquid gasket application, observe them.

# PREPARATION

< PREPARATION >

[VQ40DE]

## PREPARATION

### PREPARATION

#### Special Service Tool

INFOID:0000000012567505

A

LU

The actual shape of the tools may differ from those illustrated here.

Tool number (TechMate No.) Tool name	Description
ST25051001 (J-25695-1) Oil pressure gauge	Measuring oil pressure <b>Maximum measuring range:</b> <b>2,452 kPa (25 kg/cm<sup>2</sup>, 356 psi)</b>
ST25052000 (J-25695-2) Hose	Adapting oil pressure gauge to cylinder block
KV10111100 (J-37228) Seal cutter	Removing steel oil pan and rear timing chain case
KV10115801 (J-38956) Oil filter wrench	Removing and installing oil filter <b>a: 64.3 mm (2.531 in)</b>

C

D

E

F

G

H

I

J

K

L

M

#### Commercial Service Tool

INFOID:0000000012567506

N


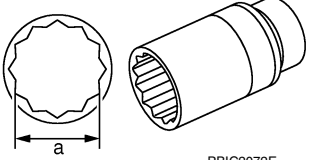
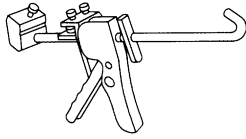
O

P

# PREPARATION

< PREPARATION >

[VQ40DE]

Tool name	Description
<p>Power tool</p>  <p style="text-align: right;">PIIB1407E</p>	<p>Loosening nuts, screws and bolts</p>
<p>Deep socket</p>  <p style="text-align: right;">PBIC2072E</p>	<p>Removing and installing oil pressure switch  <b>a: 24 mm (0.94 in)</b></p>
<p>Tube presser</p>  <p style="text-align: right;">S-NT052</p>	<p>Pressing the tube of liquid gasket</p>

# LUBRICATION SYSTEM

< SYSTEM DESCRIPTION >

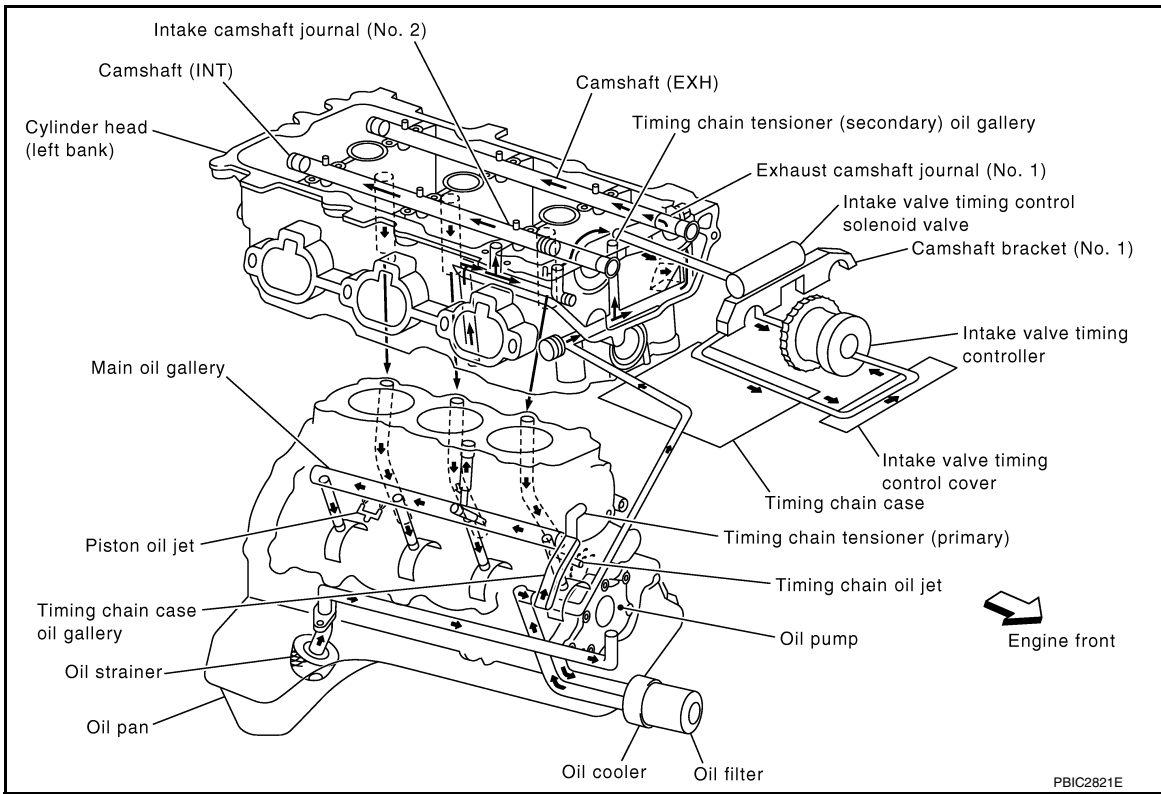
[VQ40DE]

## SYSTEM DESCRIPTION

### LUBRICATION SYSTEM

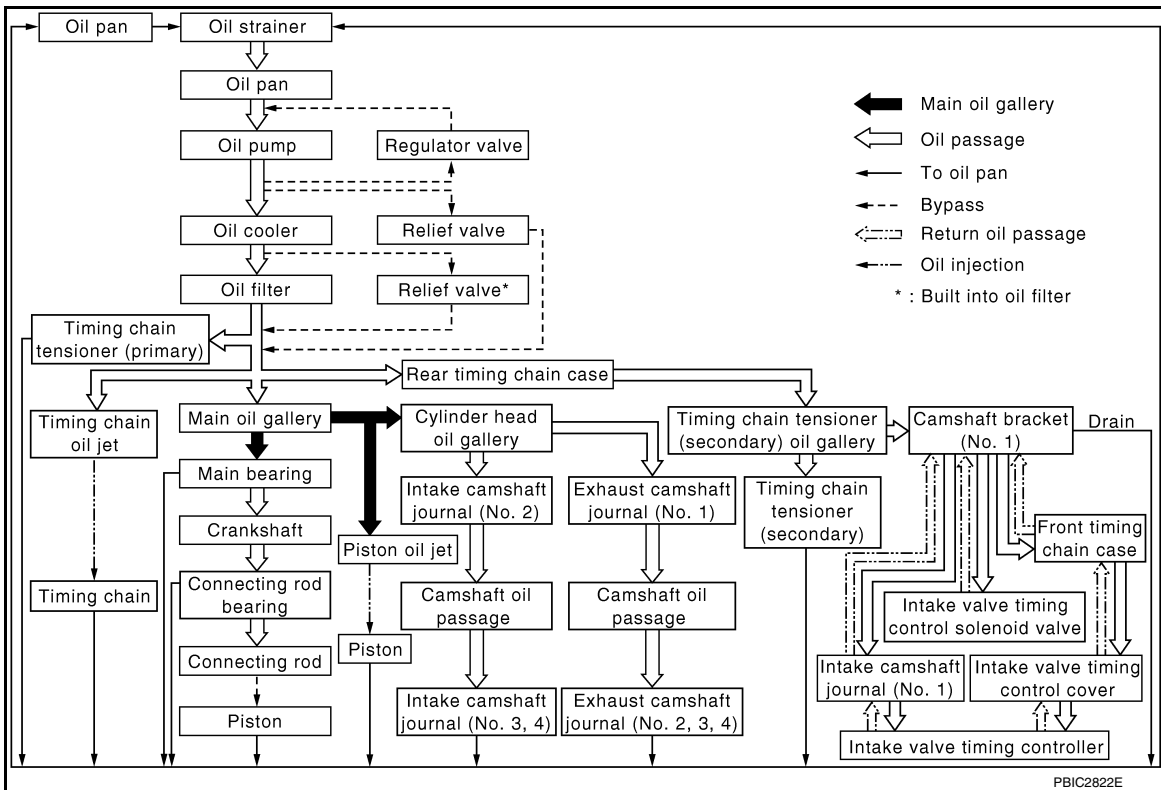
#### Lubrication Circuit

INFOID:000000012567507



#### System Chart

INFOID:000000012567508



## PERIODIC MAINTENANCE

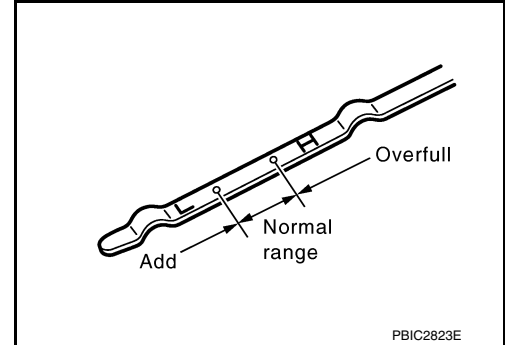
### ENGINE OIL

#### Inspection

INFOID:000000012567509

#### OIL LEVEL

- Before starting the engine make sure the vehicle is parked on a flat and level surface, then check the oil level. If the engine is already running, turn it off and allow 10 minutes before checking.
- Pull out oil level gauge and wipe clean.
- Insert oil level gauge.
- Check that the oil level is within the low (L) and high (H) range as indicated on the dipstick.
- If the engine oil level is out of range, add oil as necessary. Refer to [MA-18, "FOR USA AND CANADA : Fluids and Lubricants"](#) (United States and Canada) and [MA-21, "FOR MEXICO : Fluids and Lubricants"](#) (Mexico).



**CAUTION:**

**Do not overfill the engine with oil.**

**NOTE:**

It is normal to add some oil between oil maintenance intervals or during the break-in period, depending on the severity of the operating conditions.

#### OIL APPEARANCE

- Check the engine oil for a white milky appearance or excessive contamination.
- If the engine oil is milky, it is highly probable that it is contaminated with engine coolant. Repair or replace damaged parts.

#### OIL LEAKAGE

Check for oil leakage around the following areas:

- Oil pans (lower and upper)
- Oil pan drain plug
- Oil pressure switch
- Oil filter
- Oil cooler
- Water pump cover
- Chain tensioner cover
- Intake valve timing control cover and intake valve timing control solenoid valve
- Mating surface between cylinder block and cylinder head
- Mating surface between lower cylinder block and cylinder block
- Mating surface between cylinder head and rocker cover
- Mating surface between front timing chain case and rear timing chain case
- Mating surface between rear timing chain case and cylinder head
- Mating surface between rear timing chain case and cylinder block
- Mating surface between rear timing chain case and lower cylinder block
- Mating surface between rear timing chain case and oil pan (upper)
- Crankshaft oil seals (front and rear)
- Oil level gauge guide
- Camshaft position sensor (PHASE)

#### OIL PRESSURE CHECK

**WARNING:**

- **Be careful not to burn yourself, as the engine and engine oil may be hot.**
  - **Put the A/T shift selector in the Park (P) position (A/T models) or Neutral position (M/T models), and apply parking brake securely.**
1. Check engine oil level. Refer to [LU-22, "Inspection"](#).
  2. Remove engine under cover (if equipped). Refer to [EXT-15, "Removal and Installation"](#).

# ENGINE OIL

[VQ40DE]

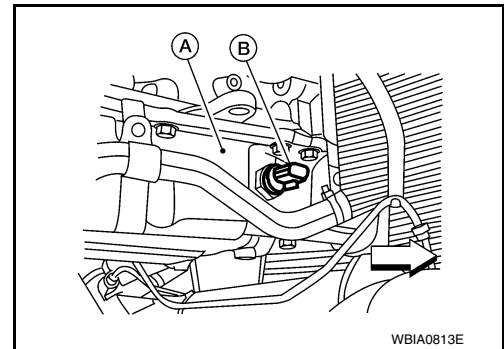
## < PERIODIC MAINTENANCE >

3. Disconnect the harness connector from oil pressure switch (B).  
A : Oil pan (upper)  
⇐: Front

4. Remove the oil pressure switch (B).

**CAUTION:**

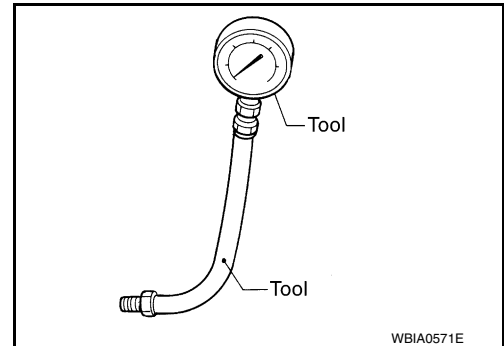
**Do not drop or shock oil pressure switch.**



5. Install Tools.

**Tool numbers** : ST25051001 (J-25695-1)

: ST25052000 (J-25695-2)



6. Start the engine and warm it up to normal operating temperature.

7. Check the engine oil pressure with engine running under no-load. Refer to [LU-34. "Standard and Limit"](#).

**CAUTION:**

**If the difference between the test results and the specification is extreme, check the oil passages and oil pump for leaks and blockages.**

8. After the inspections, install oil pressure switch as follows:

- a. Remove old liquid gasket adhering to oil pressure switch and engine.
- b. Apply liquid gasket and tighten oil pressure switch to the specification.

**Use Genuine RTV Silicone Sealant or equivalent. Refer to [GI-21. "Recommended Chemical Products and Sealants"](#).**

**Oil pressure switch torque** : 14.7 N·m (1.5 kg-m, 11 ft-lb)

- c. After warming up engine, make sure there are no engine oil leaks.

9. Install engine under cover (if equipped). Refer to [EXT-15. "Removal and Installation"](#).

## Changing Engine Oil

INFOID:000000012567510

**WARNING:**

- Be careful not to burn yourself, as the engine and engine oil may be hot.
- Prolonged and repeated contact with used engine oil may cause skin cancer; try to avoid direct skin contact with used oil. If skin contact is made, wash thoroughly with soap or hand cleaner as soon as possible.

1. Warm up the engine, and check for oil leaks.
2. Stop the engine and wait for at least 10 minutes.
3. Remove the oil drain plug and oil filler cap to drain the old oil.
4. Install a new washer on the oil drain plug, then install the oil drain plug in the oil pan.

**CAUTION:**

- Clean the drain plug and install with new washer.
- Do not reuse copper sealing washers.

**Oil drain plug** : Refer to [EM-153. "Removal and Installation"](#).

5. Refill the engine with new specified engine oil.

**Oil grade and viscosity** : Refer to [MA-18, "FOR USA AND CANADA : Fluids and Lubricants"](#) (United States and Canada) or [MA-21, "FOR MEXICO : Fluids and Lubricants"](#) (Mexico).

**Oil capacity** : Refer to [LU-34, "Standard and Limit"](#).

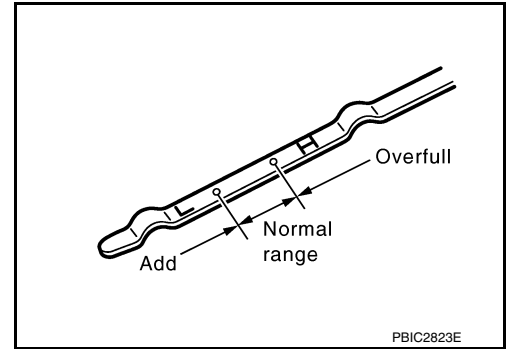
**CAUTION:**

The refill capacity depends on the oil temperature and drain time. Use the "Refill oil capacity" values as a reference and check the oil level using the dipstick when filling the engine with oil.

6. Warm up the engine and check the area around the drain plug and oil filter for oil leaks. Repair as necessary.
7. Stop the engine and wait for more than 10 minutes.
8. Check the oil level using the dipstick as shown. Add oil as necessary and install the oil filler cap. Refer to [LU-22, "Inspection"](#).

**CAUTION:**

**Do not overfill the engine with oil.**





# OIL FILTER

< PERIODIC MAINTENANCE >

[VQ40DE]

## OIL FILTER

### Removal and Installation

INFOID:000000012567511

#### REMOVAL

1. Remove the engine under cover (if equipped). Refer to [EXT-15, "Removal and Installation"](#).
2. Drain engine oil. Refer to [LU-23, "Changing Engine Oil"](#).
3. Remove the oil filter using Tool as shown.

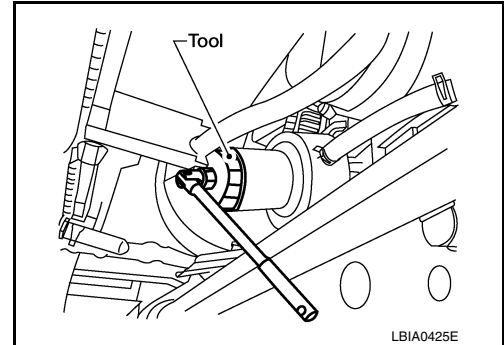
**Tool number** : KV10115801 (J-38956)

#### **WARNING:**

Be careful not to burn yourself, as the engine and engine oil may be hot.

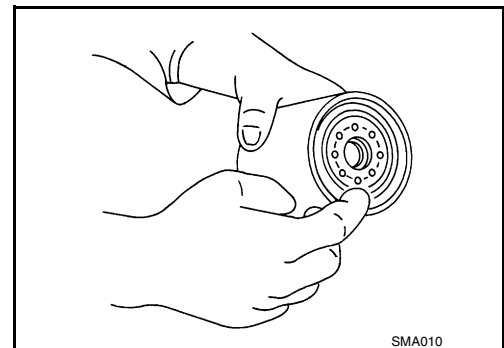
#### **CAUTION:**

- Oil filter is equipped with a pressure relief valve.
- Use Genuine NISSAN Oil Filter or equivalent.
- When removing, position a shop cloth to absorb engine oil leaks or spills.
- Do not allow engine oil to adhere to drive belts.
- Completely wipe off any engine oil that adheres to the engine and the vehicle.



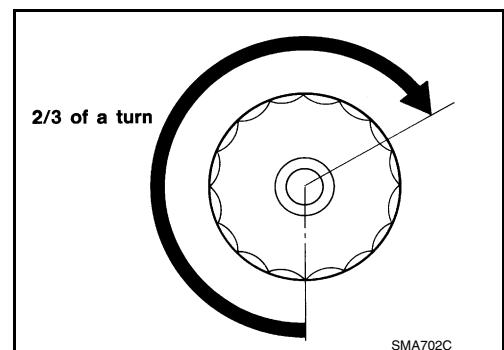
#### INSTALLATION

1. Remove foreign materials adhering to the oil filter seal mating surface.
2. Apply clean engine oil to the oil filter seal circumference of the new oil filter as shown.



3. Screw on the oil filter manually until it touches the installation surface, then tighten it by 2/3 turn as shown. Or tighten to specification.

**Oil filter** : 17.7 N·m (1.8 kg-m, 13 ft-lb)



4. Refill engine with new engine oil. Refer to [LU-23, "Changing Engine Oil"](#).
5. Inspect the engine for oil leaks. Refer to [LU-22, "Inspection"](#).
6. Install the engine under cover (if equipped). Refer to [EXT-15, "Removal and Installation"](#).

#### INSPECTION AFTER INSTALLATION

- Before starting engine, check oil/fluid levels including engine coolant and engine oil. If less than required quantity, fill to the specified level. Refer to [MA-18, "FOR USA AND CANADA : Fluids and Lubricants"](#) (United States and Canada) and [MA-21, "FOR MEXICO : Fluids and Lubricants"](#) (Mexico).
- Use procedure below to check for fuel leakage.

# OIL FILTER

< PERIODIC MAINTENANCE >

[VQ40DE]

- Turn ignition switch ON (with engine stopped). With fuel pressure applied to fuel piping, check for fuel leakage at connection points.
- Start engine. With engine speed increased, check again for fuel leakage at connection points.
- Run engine to check for unusual noise and vibration.

**NOTE:**

If hydraulic pressure inside timing chain tensioner drops after removal and installation, slack in the guide may generate a pounding noise during and just after engine start. However, this is normal. Noise will stop after hydraulic pressure rises.

- Warm up engine thoroughly to make sure there is no leakage of fuel, exhaust gas, or any oils/fluids including engine oil and engine coolant.
- Bleed air from passages in lines and hoses, such as in cooling system.
- After cooling down engine, again check oil/fluid levels including engine oil and engine coolant. Refill to specified level, if necessary.
- Summary of the inspection items:

Item		Before starting engine	Engine running	After engine stopped
Engine coolant		Level	Leakage	Level
Engine oil		Level	Leakage	Level
Transmission/ transaxle fluid	A/T and CVT Models	Leakage	Level/Leakage	Leakage
	M/T Models	Level/Leakage	Leakage	Level/Leakage
Other oils and fluids*		Level	Leakage	Level
Fuel		Leakage	Leakage	Leakage
Exhaust gas		—	Leakage	—

\*Power steering fluid, brake fluid, etc.

# OIL COOLER

< REMOVAL AND INSTALLATION >

[VQ40DE]

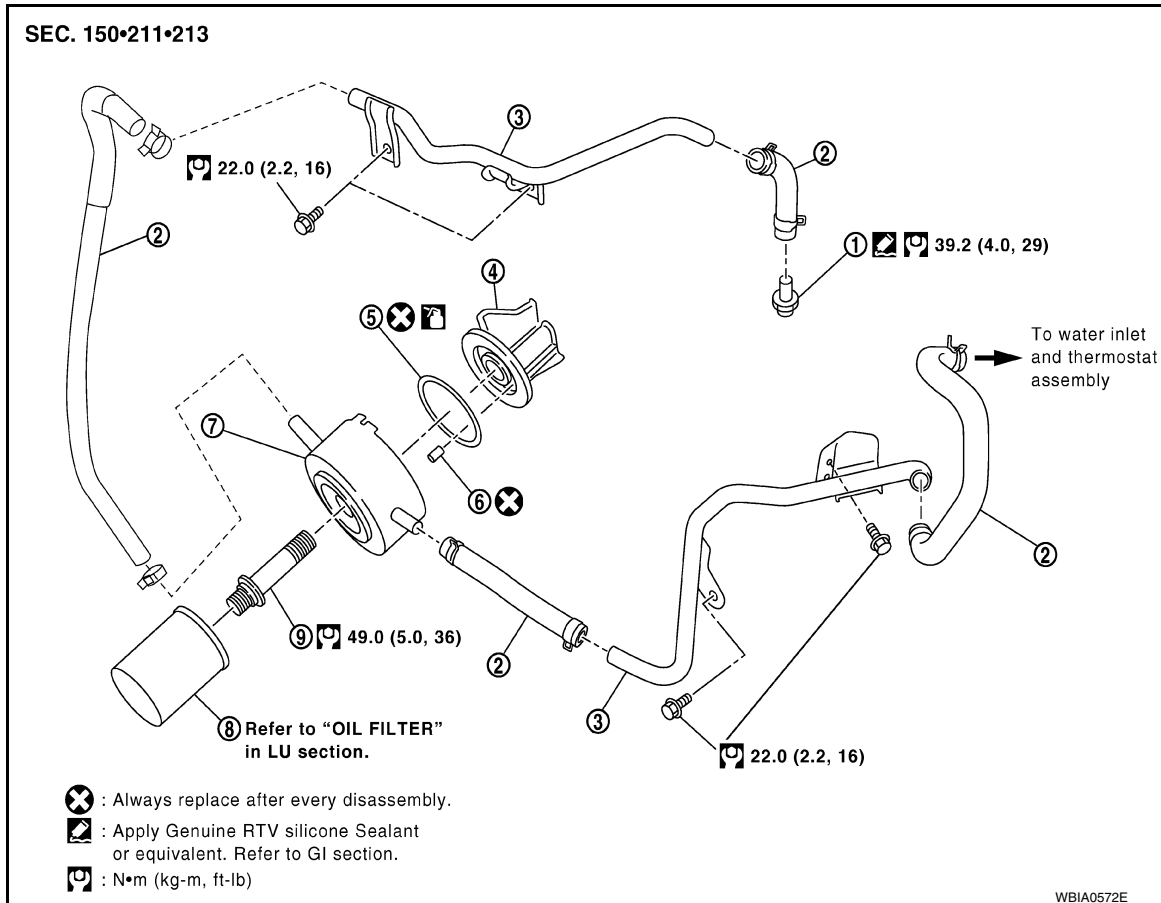
## REMOVAL AND INSTALLATION

### OIL COOLER

#### Exploded View

INFOID:0000000012567512

LU



- |                               |               |                   |
|-------------------------------|---------------|-------------------|
| 1. Water connector            | 2. Water hose | 3. Water pipe     |
| 4. Oil pan (upper) front side | 5. O-ring     | 6. Relief valve   |
| 7. Oil cooler                 | 8. Oil filter | 9. Connector bolt |

### Removal and Installation

INFOID:0000000012567513

#### WARNING:

Be careful not to burn yourself, as the engine oil and engine coolant may be hot.

#### CAUTION:

- Do not spill engine coolant on the drive belt.
- Do not spill engine oil on rubber parts such as drive belts and engine mounting insulator.

#### NOTE:

When removing components such as hoses, tubes/lines, etc., cap or plug openings to prevent fluid from spilling.

#### REMOVAL

1. Drain engine coolant from radiator and cylinder block. Refer to [CO-40. "Changing Engine Coolant"](#) and [EM-223. "Disassembly and Assembly"](#).

#### NOTE:

Perform this step only when removing water pipes and hoses.

2. Remove engine under cover (if equipped). Refer to [EXT-15. "Removal and Installation"](#).
3. Disconnect water hoses from oil cooler.

# OIL COOLER

[VQ40DE]

## < REMOVAL AND INSTALLATION >

**CAUTION:**

**Perform this step when engine is cold.**

4. Remove oil filter. Refer to [LU-25, "Removal and Installation"](#).
5. Remove connector bolt, oil cooler, and O-ring.

**CAUTION:**

**Do not reuse O-ring.**

### INSPECTION AFTER REMOVAL

#### Oil Cooler

Check oil cooler for cracks. Check oil cooler for clogging by blowing compressed air through engine coolant inlet. If necessary, replace oil cooler assembly.

#### Relief Valve

Check relief valve for movement, cracks and breaks by pushing the ball. If necessary, replace relief valve.

### INSTALLATION

Installation is in the reverse order of removal.

- If replacement of the relief valve is necessary, install the new relief valve in place by tapping it in using suitable tool.

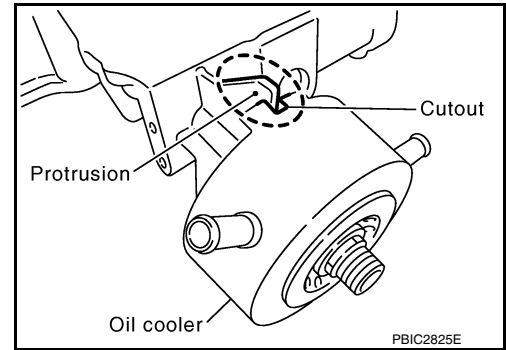
**CAUTION:**

**Do not reuse relief valve.**

- Confirm that no foreign objects are adhering to the sealing surfaces of the oil cooler and oil pan (upper).
- Tighten connector bolt after aligning cutout on oil cooler with protrusion on oil pan (upper) side.

**CAUTION:**

**Do not reuse O-ring.**



### INSPECTION AFTER INSTALLATION

- Before starting engine, check oil/fluid levels including engine coolant and engine oil. If less than required quantity, fill to the specified level. Refer to [MA-18, "FOR USA AND CANADA : Fluids and Lubricants"](#) (United States and Canada) and [MA-21, "FOR MEXICO : Fluids and Lubricants"](#) (Mexico).
- Use procedure below to check for fuel leakage.
- Turn ignition switch ON (with engine stopped). With fuel pressure applied to fuel piping, check for fuel leakage at connection points.
- Start engine. With engine speed increased, check again for fuel leakage at connection points.
- Run engine to check for unusual noise and vibration.

**NOTE:**

If hydraulic pressure inside timing chain tensioner drops after removal and installation, slack in the guide may generate a pounding noise during and just after engine start. However, this is normal. Noise will stop after hydraulic pressure rises.

- Warm up engine thoroughly to make sure there is no leakage of fuel, exhaust gas, or any oils/fluids including engine oil and engine coolant.
- Bleed air from passages in lines and hoses, such as in cooling system.
- After cooling down engine, again check oil/fluid levels including engine oil and engine coolant. Refill to specified level, if necessary.
- Summary of the inspection items:

Item		Before starting engine	Engine running	After engine stopped
Engine coolant		Level	Leakage	Level
Engine oil		Level	Leakage	Level
Transmission/transaxle fluid	A/T and CVT Models	Leakage	Level/Leakage	Leakage
	M/T Models	Level/Leakage	Leakage	Level/Leakage
Other oils and fluids*		Level	Leakage	Level

# OIL COOLER

< REMOVAL AND INSTALLATION >

[VQ40DE]

Item	Before starting engine	Engine running	After engine stopped
Fuel	Leakage	Leakage	Leakage
Exhaust gas	—	Leakage	—

A

LU

C

D

E

F

G

H

I

J

K

L

M

N

O

P

\*Power steering fluid, brake fluid, etc.

# OIL PUMP

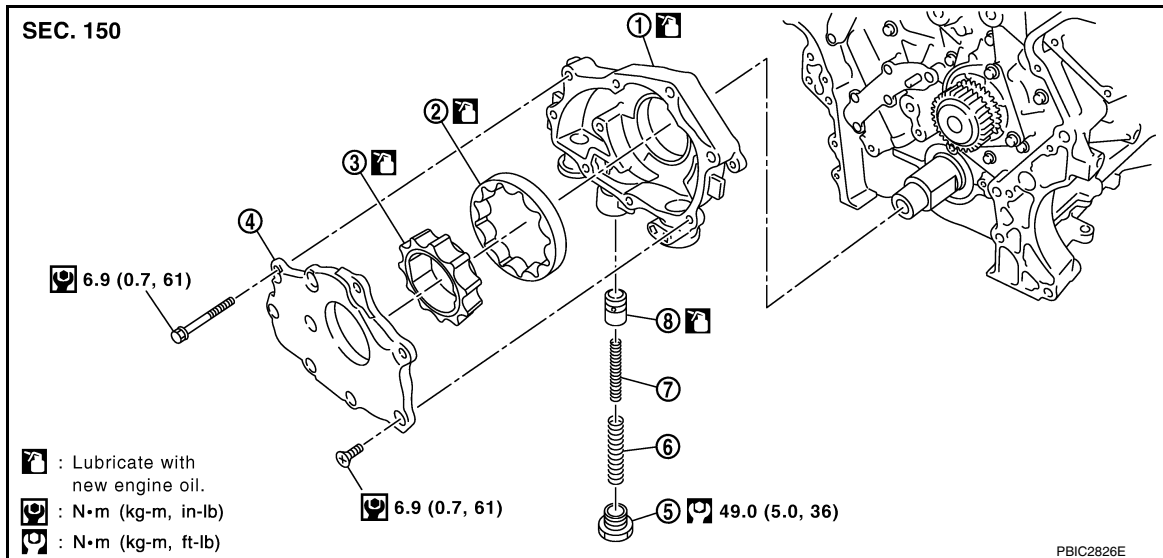
< REMOVAL AND INSTALLATION >

[VQ40DE]

## OIL PUMP

### Exploded View

INFOID:000000012567514



- |                           |                         |                           |
|---------------------------|-------------------------|---------------------------|
| 1. Oil pump body          | 2. Oil pump outer rotor | 3. Oil pump inner rotor   |
| 4. Oil pump cover         | 5. Regulator valve plug | 6. Regulator valve spring |
| 7. Regulator valve spring | 8. Regulator valve      |                           |

## Removal and Installation

INFOID:000000012567515

### REMOVAL

1. Disconnect the battery negative terminal. Refer to [PG-89, "Removal and Installation"](#).
2. Remove the front wheels and tires using power tool. Refer to [WT-48, "Adjustment"](#).
3. Remove the front fender protectors (LH/RH). Refer to [EXT-27, "Removal and Installation of Front Fender Protector"](#).
4. Remove the air duct and resonator assembly and the air cleaner case (upper). Refer to [EM-142, "Exploded View"](#).
5. Remove timing chain (primary) only. Refer to [EM-179, "Removal and Installation"](#).
6. Remove the oil pump assembly.

### INSTALLATION

Installation is in the reverse order of removal.

- When installing, align crankshaft flat faces with inner rotor flat faces.

### INSPECTION AFTER INSTALLATION

- Before starting engine, check oil/fluid levels including engine coolant and engine oil. If less than required quantity, fill to the specified level. Refer to [MA-18, "FOR USA AND CANADA : Fluids and Lubricants"](#) (United States and Canada) and [MA-21, "FOR MEXICO : Fluids and Lubricants"](#) (Mexico).
- Use procedure below to check for fuel leakage.
- Turn ignition switch ON (with engine stopped). With fuel pressure applied to fuel piping, check for fuel leakage at connection points.
- Start engine. With engine speed increased, check again for fuel leakage at connection points.
- Run engine to check for unusual noise and vibration.

#### NOTE:

- If hydraulic pressure inside timing chain tensioner drops after removal and installation, slack in the guide may generate a pounding noise during and just after engine start. However, this is normal. Noise will stop after hydraulic pressure rises.
- Warm up engine thoroughly to make sure there is no leakage of fuel, exhaust gas, or any oils/fluids including engine oil and engine coolant.

# OIL PUMP

< REMOVAL AND INSTALLATION >

[VQ40DE]

- Bleed air from passages in lines and hoses, such as in cooling system.
- After cooling down engine, again check oil/fluid levels including engine oil and engine coolant. Refill to specified level, if necessary.
- Summary of the inspection items:

Item	Before starting engine	Engine running	After engine stopped
Engine coolant	Level	Leakage	Level
Engine oil	Level	Leakage	Level
Transmission/ transaxle fluid	A/T and CVT Models	Leakage	Level/Leakage
	M/T Models	Level/Leakage	Leakage
Other oils and fluids*	Level	Leakage	Level
Fuel	Leakage	Leakage	Leakage
Exhaust gas	—	Leakage	—

\*Power steering fluid, brake fluid, etc.

LU

A

C

D

E

F

G

H

I

J

K

L

M

N

O

P

## UNIT DISASSEMBLY AND ASSEMBLY

### OIL PUMP

#### Disassembly and Assembly

INFOID:000000012567516

#### DISASSEMBLY

1. Remove oil pump cover.
2. Remove inner rotor and outer rotor from oil pump body.
3. Remove the regulator valve plug, regulator valve spring and regulator valve.

#### INSPECTION AFTER DISASSEMBLY

##### Clearance of Oil Pump Parts

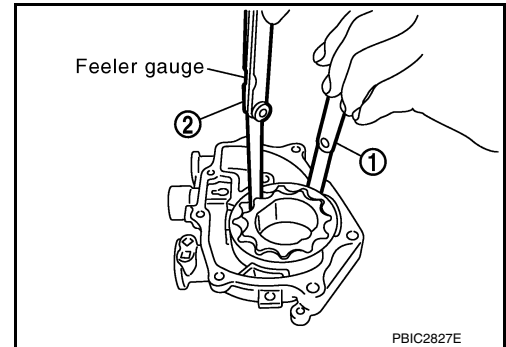
- Measure radial clearance using a suitable tool.

**Body to outer rotor (position 1)**

: Refer to [LU-34, "Standard and Limit"](#).

**Inner rotor to outer rotor tip (position 2)**

: Refer to [LU-34, "Standard and Limit"](#).



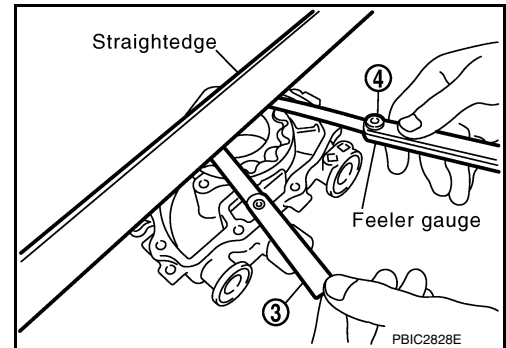
- Measure side clearance using suitable tools.

**Body to inner rotor (position 3)**

: Refer to [LU-34, "Standard and Limit"](#).

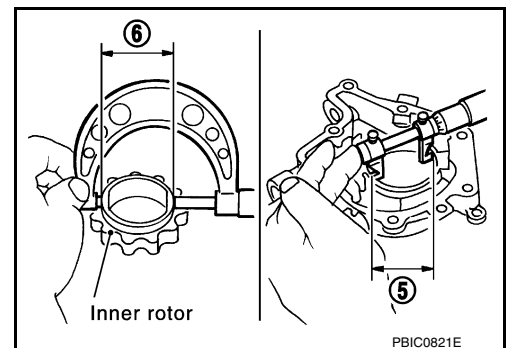
**Body to outer rotor (position 4)**

: Refer to [LU-34, "Standard and Limit"](#).



- Calculate the clearance between inner rotor and oil pump body as follows.

1. Measure the inner diameter of oil pump body to brazed portion (position 5) using suitable tool.
2. Measure the outer diameter of protruded portion of inner rotor (position 6) using suitable tool.



3. Calculate the clearance using the following formula.
  - (Clearance) = (Inner diameter of oil pump body) - (Outer diameter of inner rotor)

**Inner rotor to brazed portion of housing clearance**

: Refer to [LU-34, "Standard and Limit"](#).

#### Regulator Valve Clearance



# OIL PUMP

## < UNIT DISASSEMBLY AND ASSEMBLY >

[VQ40DE]

Check regulator valve to oil pump cover clearance using the following formula.

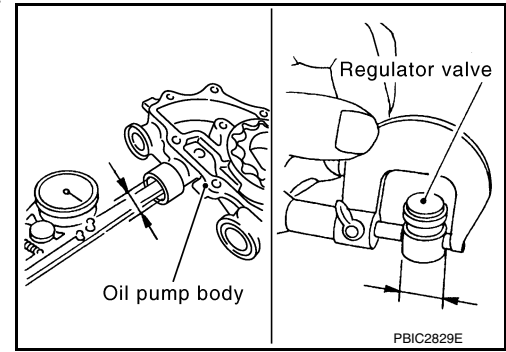
- (Clearance) = D1 (Valve hole diameter) - D2 (Outer Diameter of valve)

**Regulator valve to oil pump cover**

: Refer to [LU-34, "Standard and Limit"](#).

### CAUTION:

- Coat regulator valve with engine oil.
- Check that it falls smoothly into the regulator valve hole by its own weight.

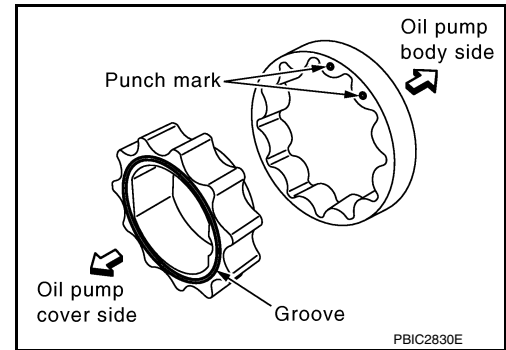


### ASSEMBLY

Assembly is in the reverse order of disassembly.

### NOTE:

- Install oil pump inner rotor with the groove facing the oil pump cover side.
- Install the oil pump outer rotor with the punch mark facing the oil pump cover side.



A  
LU  
C  
D  
E  
F  
G  
H  
I  
J  
K  
L  
M  
N  
O  
P

# SERVICE DATA AND SPECIFICATIONS (SDS)

< SERVICE DATA AND SPECIFICATIONS (SDS)

[VQ40DE]

## SERVICE DATA AND SPECIFICATIONS (SDS)

### SERVICE DATA AND SPECIFICATIONS (SDS)

#### Standard and Limit

INFOID:0000000012567517

#### OIL PRESSURE

Unit: kPa (kg/cm<sup>2</sup>, psi)

Engine speed	Approximate discharge oil pressure*
Idle speed	More than 98 (1.0, 14)
2,000 rpm	More than 294 (3.0, 43)
6,000 rpm	More than 392 (4.0, 56.8)

\*: Engine oil temperature at 80°C (176°F)

#### OIL PUMP

Unit: mm (in)

Body to outer rotor (Position 1)	0.120 - 0.195 (0.0047 - 0.0077)
Inner rotor to outer rotor tip (Position 2)	0.060 - 0.160 (0.0024 - 0.0063)
Body to inner rotor (Position 3)	0.030 - 0.070 (0.0012 - 0.0028)
Body to outer rotor (Position 4)	0.050 - 0.090 (0.0020 - 0.0035)
Inner rotor to brazed portion of housing	0.045 - 0.091 (0.0018 - 0.0036)

#### REGULATOR VALVE

Unit: mm (in)

Regulator valve to oil pump cover	0.025 - 0.070 (0.0010 - 0.0028)
-----------------------------------	---------------------------------

#### ENGINE OIL CAPACITY (APPROXIMATE)

Unit: ℓ (US qt, Imp qt)

Drain and refill	With oil filter change	5.1 (5-3/8, 4-1/2)
	Without oil filter change	4.8 (5-1/8, 4-1/4)
Dry engine (Overhaul)		6.3 (6-5/8, 5-1/2)