

SECTION **RSU**  
 REAR SUSPENSION

A  
 B  
 C  
 D  
 E  
 F  
 G  
 H  
 I  
 J  
 K  
 L  
 M  
 N  
 O  
 P

RSU

CONTENTS

<b>PRECAUTION</b> .....	2	On-Vehicle Inspection and Service .....	5	F
<b>PRECAUTIONS</b> .....	2	<b>ON-VEHICLE REPAIR</b> .....	6	
Precaution for Supplemental Restraint System (SRS) "AIR BAG" and "SEAT BELT PRE-TENSIONER" .....	2	<b>REAR SUSPENSION ASSEMBLY</b> .....	6	G
Precaution for Rear Suspension .....	2	Component .....	6	
<b>PREPARATION</b> .....	3	<b>REMOVAL AND INSTALLATION</b> .....	8	H
<b>PREPARATION</b> .....	3	<b>SHOCK ABSORBER</b> .....	8	
Commercial Service Tool .....	3	Removal and Installation .....	8	I
<b>SYMPTOM DIAGNOSIS</b> .....	4	<b>LEAF SPRING</b> .....	9	
<b>NOISE, VIBRATION, AND HARSHNESS (NVH) TROUBLESHOOTING</b> .....	4	Removal and Installation .....	9	J
NVH Troubleshooting Chart .....	4	<b>SERVICE DATA AND SPECIFICATIONS (SDS)</b> .....	12	
<b>ON-VEHICLE MAINTENANCE</b> .....	5	<b>SERVICE DATA AND SPECIFICATIONS (SDS)</b> .....	12	K
<b>REAR SUSPENSION ASSEMBLY</b> .....	5	General Specification (Rear) .....	12	L
		Wheelarch Height (Unladen* <sup>1</sup> ) .....	12	

# PRECAUTIONS

< PRECAUTION >

## PRECAUTION

### PRECAUTIONS

#### Precaution for Supplemental Restraint System (SRS) "AIR BAG" and "SEAT BELT PRE-TENSIONER"

INFOID:000000003220925

The Supplemental Restraint System such as "AIR BAG" and "SEAT BELT PRE-TENSIONER", used along with a front seat belt, helps to reduce the risk or severity of injury to the driver and front passenger for certain types of collision. This system includes seat belt switch inputs and dual stage front air bag modules. The SRS system uses the seat belt switches to determine the front air bag deployment, and may only deploy one front air bag, depending on the severity of a collision and whether the front occupants are belted or unbelted. Information necessary to service the system safely is included in the SR and SB section of this Service Manual.

#### **WARNING:**

- **To avoid rendering the SRS inoperative, which could increase the risk of personal injury or death in the event of a collision which would result in air bag inflation, all maintenance must be performed by an authorized NISSAN/INFINITI dealer.**
- **Improper maintenance, including incorrect removal and installation of the SRS, can lead to personal injury caused by unintentional activation of the system. For removal of Spiral Cable and Air Bag Module, see the SR section.**
- **Do not use electrical test equipment on any circuit related to the SRS unless instructed to in this Service Manual. SRS wiring harnesses can be identified by yellow and/or orange harnesses or harness connectors.**

#### Precaution for Rear Suspension

INFOID:000000003220926

- When installing the rubber bushings, the final tightening must be done under unladen condition and with the tires on level ground. Oil will shorten the life of the rubber bushings, so wipe off any spilled oil immediately.
- Unladen condition means the fuel tank, engine coolant and lubricants are at the full specification. The spare tire, jack, hand tools, and mats are in their designated positions. There are no passengers in the vehicle.
- After installing suspension components, check the wheel alignment.
- Caulking nuts are not reusable. Always use new caulking nuts for installation. New caulking nuts are pre-oiled, do not apply any additional lubrication.

# PREPARATION

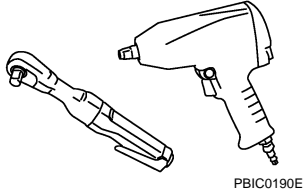
< PREPARATION >

## PREPARATION

### PREPARATION

#### Commercial Service Tool

INFOID:000000003220927

Tool name	Description
Power tool  PBIC0190E	Removing bolts and nuts

A

B

C

D

RSU

F

G

H

I

J

K

L

M

N

O

P

# NOISE, VIBRATION, AND HARSHNESS (NVH) TROUBLESHOOTING

< SYMPTOM DIAGNOSIS >

## SYMPTOM DIAGNOSIS

### NOISE, VIBRATION, AND HARSHNESS (NVH) TROUBLESHOOTING

#### NVH Troubleshooting Chart

INFOID:000000003301883

Use the chart below to help you find the cause of the symptom. If necessary, repair or replace the parts.

Reference page		RSU-6	RSU-8	RSU-6	RSU-6	RSU-9	RSU-6	DLN-160. "NVH Troubleshooting Chart"	DLN-271. "NVH Troubleshooting Chart"	RAX-6. "NVH Troubleshooting Chart" (C200), RAX-18. "NVH Troubleshooting Chart" (M226)	WT-30. "NVH Troubleshooting Chart"	WT-30. "NVH Troubleshooting Chart"	BR-5. "NVH Troubleshooting Chart"	ST-5. "NVH Troubleshooting Chart"
Possible cause and SUSPECTED PARTS		Improper installation, looseness	Shock absorber deformation, damage or deflection	Bushing or mounting deterioration	Parts interference	Spring fatigue	Suspension looseness	PROPELLER SHAFT	REAR FINAL DRIVE	AXLE	TIRES	ROAD WHEEL	BRAKES	STEERING
Symptoms	Noise	x	x	x	x	x	x	x	x	x	x	x	x	x
	Shake	x	x	x	x		x	x		x	x	x	x	x
	Vibration	x	x	x	x	x		x		x	x			x
	Shimmy	x	x	x	x					x	x	x	x	x
	Shudder	x	x	x						x	x	x	x	x
	Poor quality ride or handling	x	x	x	x	x	x			x	x	x		

x: Applicable

# REAR SUSPENSION ASSEMBLY

< ON-VEHICLE MAINTENANCE >

## ON-VEHICLE MAINTENANCE

### REAR SUSPENSION ASSEMBLY

#### On-Vehicle Inspection and Service

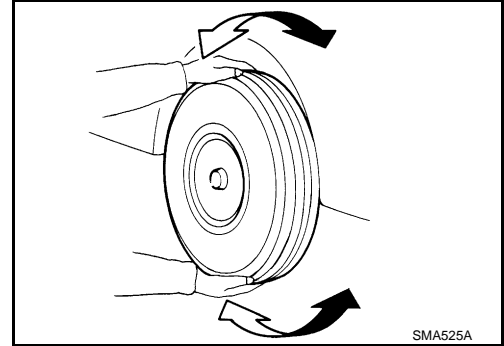
INFOID:000000003301885

- Check the rear suspension parts for any excessive play, cracks, wear, and other damage.
- Shake each rear wheel to check for any excessive play as shown.
- Tighten all of the nuts and bolts to the specified torque.

**CAUTION:**

**When installing the components with rubber bushings, the final tightening of the nuts and bolts must be done with the vehicle in an unladen condition (the fuel, engine coolant, and engine oil full; the spare tire, jack, hand tools and mats in their designated positions) with the tires on the ground.**

- Check the shock absorbers for oil leaks, deformation, and other damage.
- Check the shock absorber bushings for excessive wear and other damage.



A

B

C

D

RSU

F

G

H

I

J

K

L

M

N

O

P

# REAR SUSPENSION ASSEMBLY

< ON-VEHICLE REPAIR >

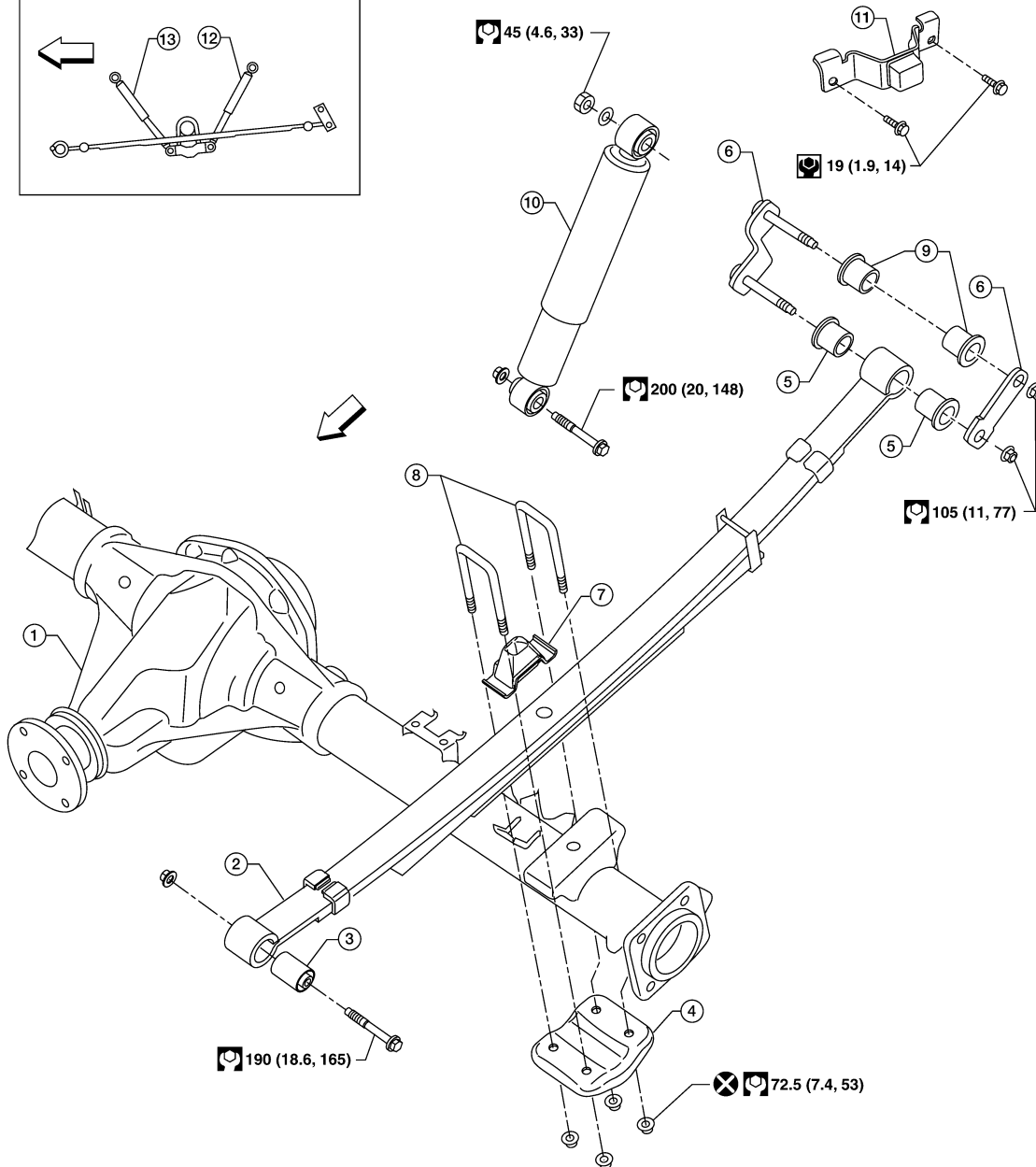
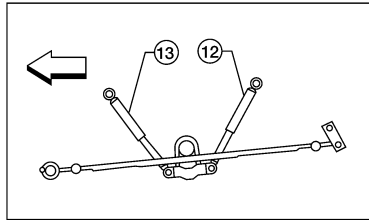
## ON-VEHICLE REPAIR

### REAR SUSPENSION ASSEMBLY

Component

INFOID:000000003301884

SEC. 431



WEIA0203E

- |                                 |                               |                                |
|---------------------------------|-------------------------------|--------------------------------|
| 1. Rear final drive             | 2. Rear leaf spring           | 3. Rear spring bushing (front) |
| 4. Rear spring pad              | 5. Rear spring bushing (rear) | 6. Rear spring shackle         |
| 7. Bumper                       | 8. Rear spring clip U-bolts   | 9. Rear spring shackle bushing |
| 10. Shock absorber              | 11. Bumper                    | 12. Shock absorber (left side) |
| 13. Shock absorber (right side) | ← Front                       |                                |

RSU-6

# REAR SUSPENSION ASSEMBLY

< ON-VEHICLE REPAIR >

---

**CAUTION:**

When installing the components with rubber bushings, the final tightening of the nuts and bolts must be done with the vehicle in an unladen condition (the fuel, engine coolant, and engine oil full; the spare tire, jack, hand tools and mats in their designated positions) with the tires on the ground.

A

B

C

D

RSU

F

G

H

I

J

K

L

M

N

O

P

# SHOCK ABSORBER

< REMOVAL AND INSTALLATION >

## REMOVAL AND INSTALLATION

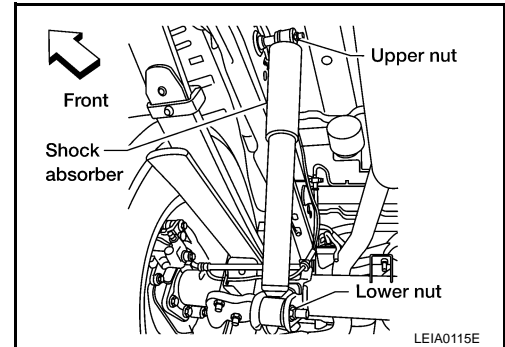
### SHOCK ABSORBER

#### Removal and Installation

INFOID:000000003301886

#### REMOVAL

1. Support the rear final drive and suspension assembly using a suitable jack.
2. Remove the shock absorber upper and lower nuts and bolts using power tool.



3. Remove the shock absorber.

#### INSPECTION AFTER REMOVAL

Inspect the shock absorber for any oil leaks, cracks, or deformations. Replace the shock absorber as necessary.

#### INSTALLATION

Installation is in the reverse order of removal.

**Shock absorber upper and lower nuts** : Refer to [RSU-6, "Component"](#).



# LEAF SPRING

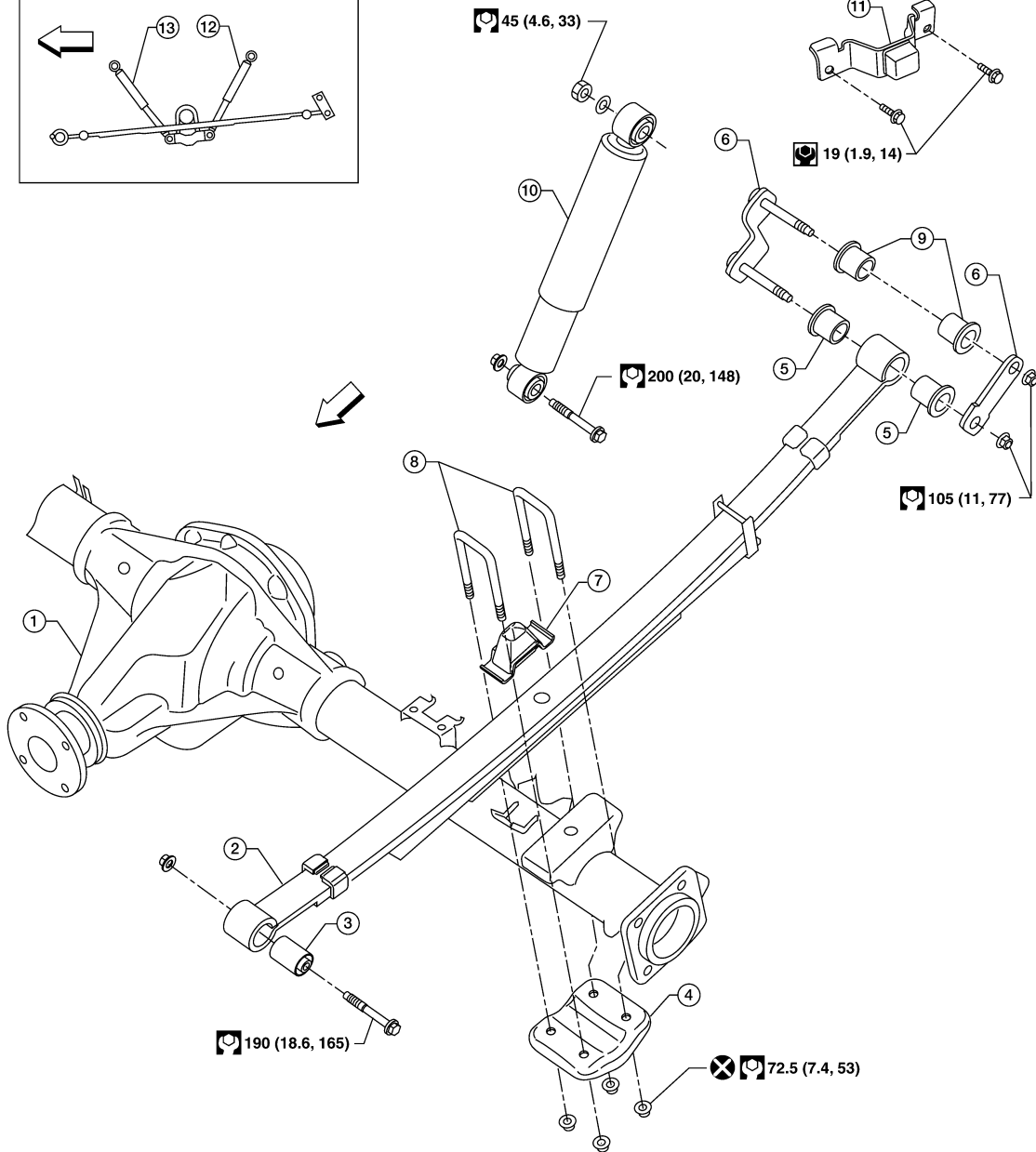
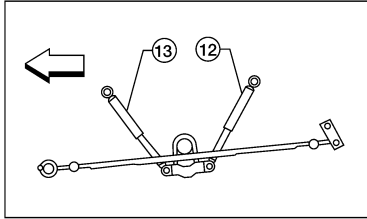
< REMOVAL AND INSTALLATION >

## LEAF SPRING

### Removal and Installation

INFOID:000000003301887

SEC. 431



- |                                 |                               |                                |
|---------------------------------|-------------------------------|--------------------------------|
| 1. Rear final drive             | 2. Rear leaf spring           | 3. Rear spring bushing (front) |
| 4. Rear spring pad              | 5. Rear spring bushing (rear) | 6. Rear spring shackle         |
| 7. Bumper                       | 8. Rear spring clip U-bolts   | 9. Rear spring shackle bushing |
| 10. Shock absorber              | 11. Bumper                    | 12. Shock absorber (left side) |
| 13. Shock absorber (right side) | ← Front                       |                                |

**CAUTION:**

RSU-9

WEIA0203E

A  
B  
C  
D  
RSU  
F  
G  
H  
I  
J  
K  
L  
M  
N  
O  
P

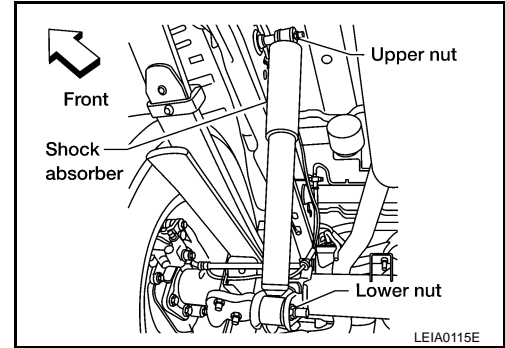
# LEAF SPRING

## < REMOVAL AND INSTALLATION >

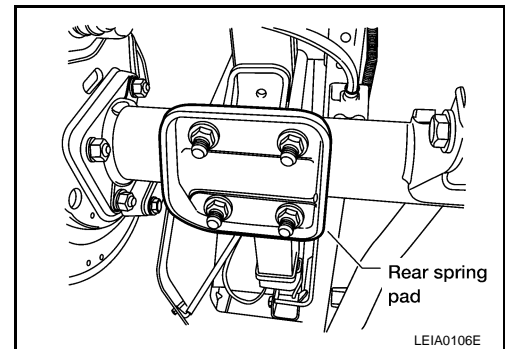
When installing the components with rubber bushings, the final tightening of the nuts and bolts must be done with the vehicle in an unladen condition (the fuel, engine coolant, and engine oil full; the spare tire, jack, hand tools and mats in their designated positions) with the tires on the ground.

### REMOVAL

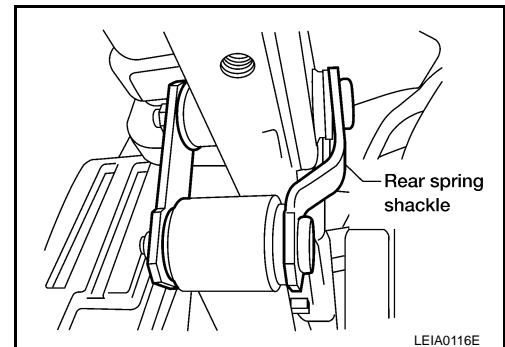
1. Support the rear final drive assembly with a suitable jack to relieve the tension from the rear leaf spring.
  - The axle weight should be supported, but there should be no compression in the rear leaf spring.
2. Remove the shock absorber lower nut and bolt using power tool.



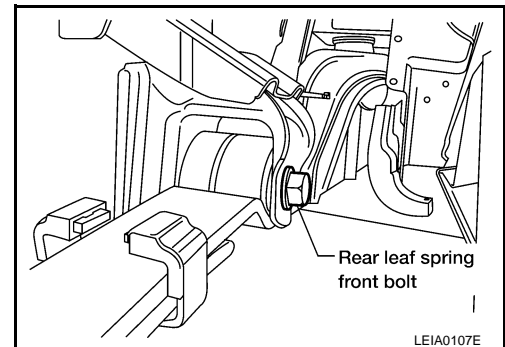
3. Remove the four rear spring clip U-bolt nuts using power tool, then remove the rear spring pad.



4. Remove the rear spring shackle and bushings using power tool.



5. Remove the rear leaf spring front nut and bolt using power tool.
6. Remove the rear leaf spring.



### INSPECTION AFTER REMOVAL

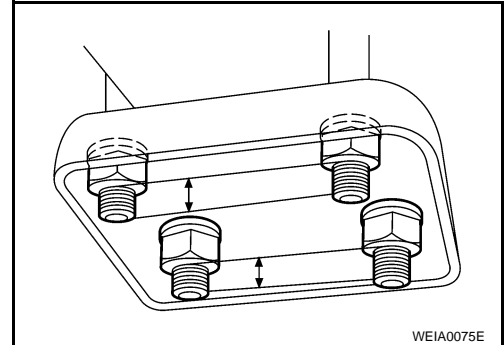
- Check the rear leaf spring for any cracks or damage. Replace the rear leaf spring if necessary.
- Check the rear spring shackle, rear spring clip U-bolts, bumper, and rear spring pad for excessive wear, cracks, straightness, and damage. Replace any components if necessary.
- Check all bushings for deformation and cracks. Replace any bushings if necessary.

# LEAF SPRING

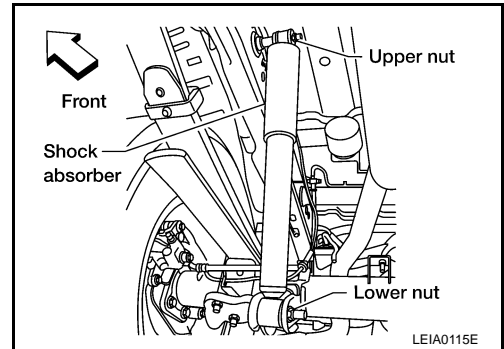
## < REMOVAL AND INSTALLATION >

### INSTALLATION

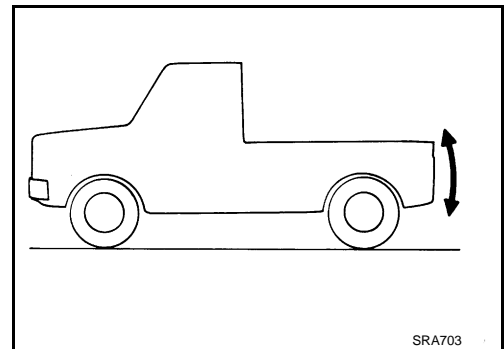
1. Apply soapsuds to all of the rubber bushings.
2. Install the rear spring shackle and rear leaf spring front nut and bolt. Finger-tighten the nuts.
3. Install the rear spring clip U-bolts and bumper on top of the rear leaf spring.
4. Install the rear spring pad, and nuts under the axle case.
5. Tighten the rear spring clip U-bolt nuts diagonally and evenly to specification.
  - Tighten the rear spring clip U-bolt nuts so the lengths of all the exposed rear spring clip U-bolt threads under spring pad are equal in length within a tolerance of 3 mm (0.12 in), as shown.



6. Install the shock absorber, and finger-tighten the nuts.



7. Remove the jack supporting the rear final drive assembly and bounce the rear of the vehicle to stabilize the suspension.



8. Tighten the rear spring shackle nuts, rear leaf spring front nut, and shock absorber nuts to specification.
  - When installing the components with rubber bushings, the final nut tightening must be carried out under unladen\* conditions with the tires on level ground.
  - \* (Fuel, radiator coolant and engine oil full. Spare tire, jack, hand tools and mats in designated positions.)

# SERVICE DATA AND SPECIFICATIONS (SDS)

< SERVICE DATA AND SPECIFICATIONS (SDS)

## SERVICE DATA AND SPECIFICATIONS (SDS)

### SERVICE DATA AND SPECIFICATIONS (SDS)

#### General Specification (Rear)

INFOID:000000003301888

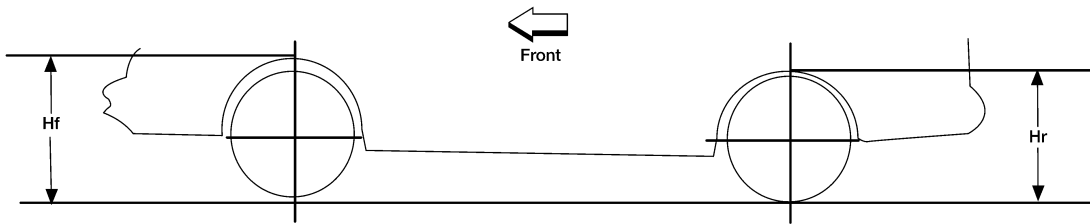
Suspension type	Rigid axle with semi-elliptic leaf springs
Shock absorber type	Double-acting hydraulic

#### Wheelarch Height (Unladen\*1)

INFOID:000000003301889

King Cab

Unit: mm (in)



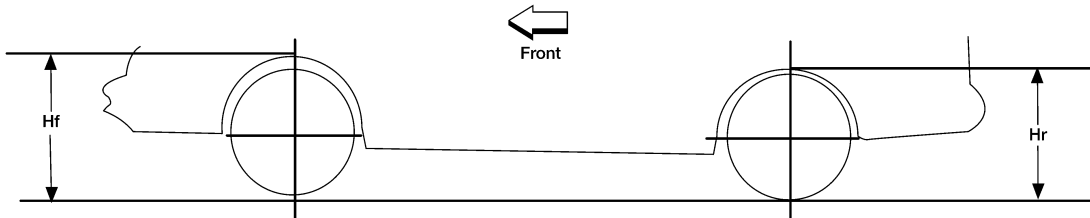
LEIA0085E

Engine type	QR25DE	VQ40DE					
	2WD	2WD			4WD		
Applied model	XE	SE	OR	LE	SE	OR	LE
Tire size	235/75R15	265/70R16	265/75R16	265/65R17	265/70R16	265/75R16	265/65R17
Front wheelarch height (Hf)	866 (34.09)	868 (34.17)	880 (34.65)	869 (34.21)	880 (34.65)	892 (35.12)	881 (34.68)
Rear wheelarch height (Hr)	886 (34.88)	894 (35.20)	905 (35.63)	895 (35.24)	903 (35.55)	915 (36.02)	904 (35.59)

\*1: Fuel, radiator coolant and engine oil full. Spare tire, jack, hand tools and mats in designated positions.

Crew Cab

Unit: mm (in)



LEIA0085E

Engine type	VQ40DE					
	2WD			4WD		
Applied model	SE	OR	LE	SE	OR	LE
Tire size	265/70R16	265/75R16	265/65R17	265/70R16	265/75R16	265/65R17
Front wheelarch height (Hf)	868 (34.17)	880 (34.65)	869 (34.21)	880 (34.65)	892 (35.12)	881 (34.68)
Rear wheelarch height (Hr)	891 (35.08)	903 (35.55)	892 (35.12)	901 (35.47)	913 (35.94)	902 (35.51)

# SERVICE DATA AND SPECIFICATIONS (SDS)

## < SERVICE DATA AND SPECIFICATIONS (SDS)

---

\*1: Fuel, radiator coolant and engine oil full. Spare tire, jack, hand tools and mats in designated positions.

A

B

C

D

**RSU**

F

G

H

I

J

K

L

M

N

O

P