

A
SECTION FL
FUEL SYSTEM C

D
CONTENTS E

PRECAUTION	2	FUEL TANK	6	F
PRECAUTIONS	2	Removal and Installation	6	
Precaution for Supplemental Restraint System (SRS) "AIR BAG" and "SEAT BELT PRE-TENSIONER"	2	FUEL LEVEL SENSOR UNIT, FUEL FILTER AND FUEL PUMP ASSEMBLY	10	G
General Precaution	2	Removal and Installation	10	
PREPARATION	4	DISASSEMBLY AND ASSEMBLY	14	H
PREPARATION	4	FUEL LEVEL SENSOR UNIT, FUEL FILTER AND FUEL PUMP ASSEMBLY	14	I
Special Service Tool	4	Disassembly and Assembly	14	
Commercial Service Tool	4	SERVICE DATA AND SPECIFICATIONS (SDS)	15	J
ON-VEHICLE MAINTENANCE	5	SERVICE DATA AND SPECIFICATIONS (SDS)	15	K
FUEL SYSTEM	5	Standard and Limit	15	
Checking Fuel Line	5			L
ON-VEHICLE REPAIR	6			M

PRECAUTIONS

< PRECAUTION >

PRECAUTION

PRECAUTIONS

Precaution for Supplemental Restraint System (SRS) "AIR BAG" and "SEAT BELT PRE-TENSIONER"

INFOID:000000005530135

The Supplemental Restraint System such as "AIR BAG" and "SEAT BELT PRE-TENSIONER", used along with a front seat belt, helps to reduce the risk or severity of injury to the driver and front passenger for certain types of collision. This system includes seat belt switch inputs and dual stage front air bag modules. The SRS system uses the seat belt switches to determine the front air bag deployment, and may only deploy one front air bag, depending on the severity of a collision and whether the front occupants are belted or unbelted. Information necessary to service the system safely is included in the SR and SB section of this Service Manual.

WARNING:

- To avoid rendering the SRS inoperative, which could increase the risk of personal injury or death in the event of a collision which would result in air bag inflation, all maintenance must be performed by an authorized NISSAN/INFINITI dealer.
- Improper maintenance, including incorrect removal and installation of the SRS, can lead to personal injury caused by unintentional activation of the system. For removal of Spiral Cable and Air Bag Module, see the SR section.
- Do not use electrical test equipment on any circuit related to the SRS unless instructed to in this Service Manual. SRS wiring harnesses can be identified by yellow and/or orange harnesses or harness connectors.

PRECAUTIONS WHEN USING POWER TOOLS (AIR OR ELECTRIC) AND HAMMERS

WARNING:

- When working near the Airbag Diagnosis Sensor Unit or other Airbag System sensors with the Ignition ON or engine running, DO NOT use air or electric power tools or strike near the sensor(s) with a hammer. Heavy vibration could activate the sensor(s) and deploy the air bag(s), possibly causing serious injury.
- When using air or electric power tools or hammers, always switch the Ignition OFF, disconnect the battery, and wait at least 3 minutes before performing any service.

General Precaution

INFOID:000000005275649

WARNING:

When replacing fuel line parts, be sure to observe the following.

- Put a "CAUTION: FLAMMABLE" sign in the workshop.
- Be sure to work in a well ventilated area and furnish the workshop with a CO₂ fire extinguisher.
- Do not smoke while servicing the fuel system. Keep open flames and sparks away from the work area.

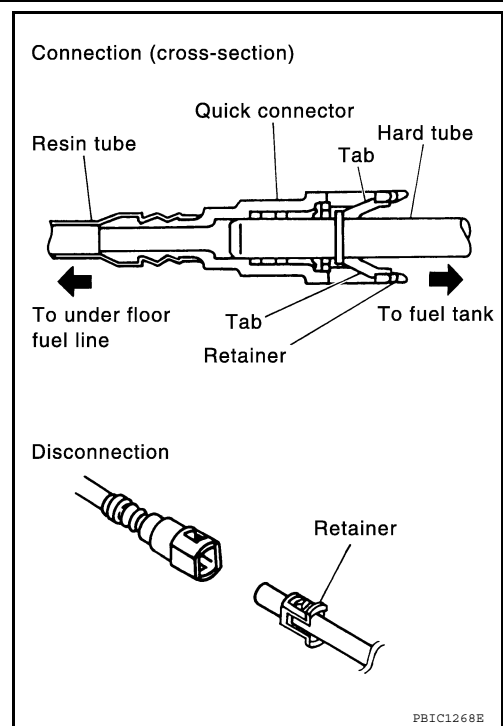
CAUTION:

- Before removing fuel line parts, carry out the following procedures:
 - Put drained fuel in an explosion-proof container and put the lid on securely. Keep the container in safe area.
 - Release fuel pressure from the fuel lines. Refer to [EC-454, "Fuel Pressure Check"](#) (QR25DE), [EC-954, "Fuel Pressure Check"](#) (VQ40DE).
 - Disconnect the battery negative terminal.
- Always replace O-rings and clamps with new ones.
- Do not kink or twist hoses when they are being installed.
- Do not tighten hose clamps excessively to avoid damaging hoses.
- Tighten high-pressure rubber hose clamp so that clamp end is 3 mm (0.12 in) from hose end.
- Ensure that clamp screw does not contact adjacent parts.

PRECAUTIONS

< PRECAUTION >

- After connecting the fuel tube quick connectors, make sure the quick connectors are secure. Ensure that the connector and resin tube do not contact any adjacent parts.
- After installing tubes, make sure there is no fuel leakage at connections in the following steps.
 - Apply fuel pressure to fuel lines with turning ignition switch ON (with engine stopped). Then check for fuel leaks at connections.
 - Start the engine and rev it up and check for fuel leaks at connections.
- Use only a Genuine NISSAN fuel filler cap as a replacement. If an incorrect fuel filler cap is used, the MIL may come on.
- For servicing "Evaporative Emission System" parts, refer to [EC-459, "Removal and Installation" \(QR25DE\)](#), [EC-957, "Removal and Installation" \(VQ40DE\)](#).
- For servicing "On Board Refueling Vapor Recovery (ORVR)" parts, refer to [EC-457, "How to Detect Fuel Vapor Leakage" \(QR25DE\)](#), [EC-956, "How to Detect Fuel Vapor Leakage" \(VQ40DE\)](#).



A

FL

C

D

E

F

G

H

I

J

K

L

M

N

O

P

PREPARATION

< PREPARATION >

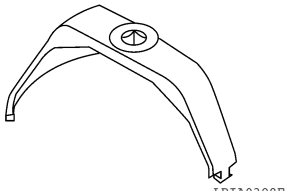
PREPARATION

PREPARATION

Special Service Tool

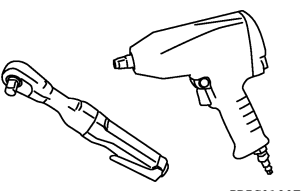
INFOID:000000005275650

The actual shapes of the Kent-Moore tools may differ from those of the special tools illustrated here.

Tool number (Kent-Moore No.) Tool name	Description
— (J-45722) 130 mm lock ring tool 	Removing and installing fuel tank lock ring

Commercial Service Tool

INFOID:000000005275651

Tool name	Description
Power tool 	Loosening bolts and nuts

FUEL SYSTEM

< ON-VEHICLE MAINTENANCE >

ON-VEHICLE MAINTENANCE

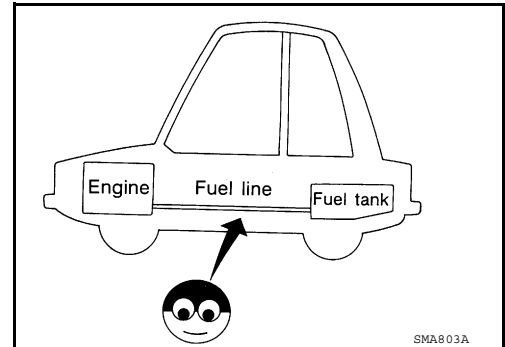
FUEL SYSTEM

Checking Fuel Line

INFOID:000000005275652

Inspect fuel lines, fuel filler cap and fuel tank for improper attachment, leaks, cracks, damage, loose connections, chafing or deterioration.

If necessary, repair or replace damaged parts.



A

FL

C

D

E

F

G

H

I

J

K

L

M

N

O

P

FUEL TANK

< ON-VEHICLE REPAIR >

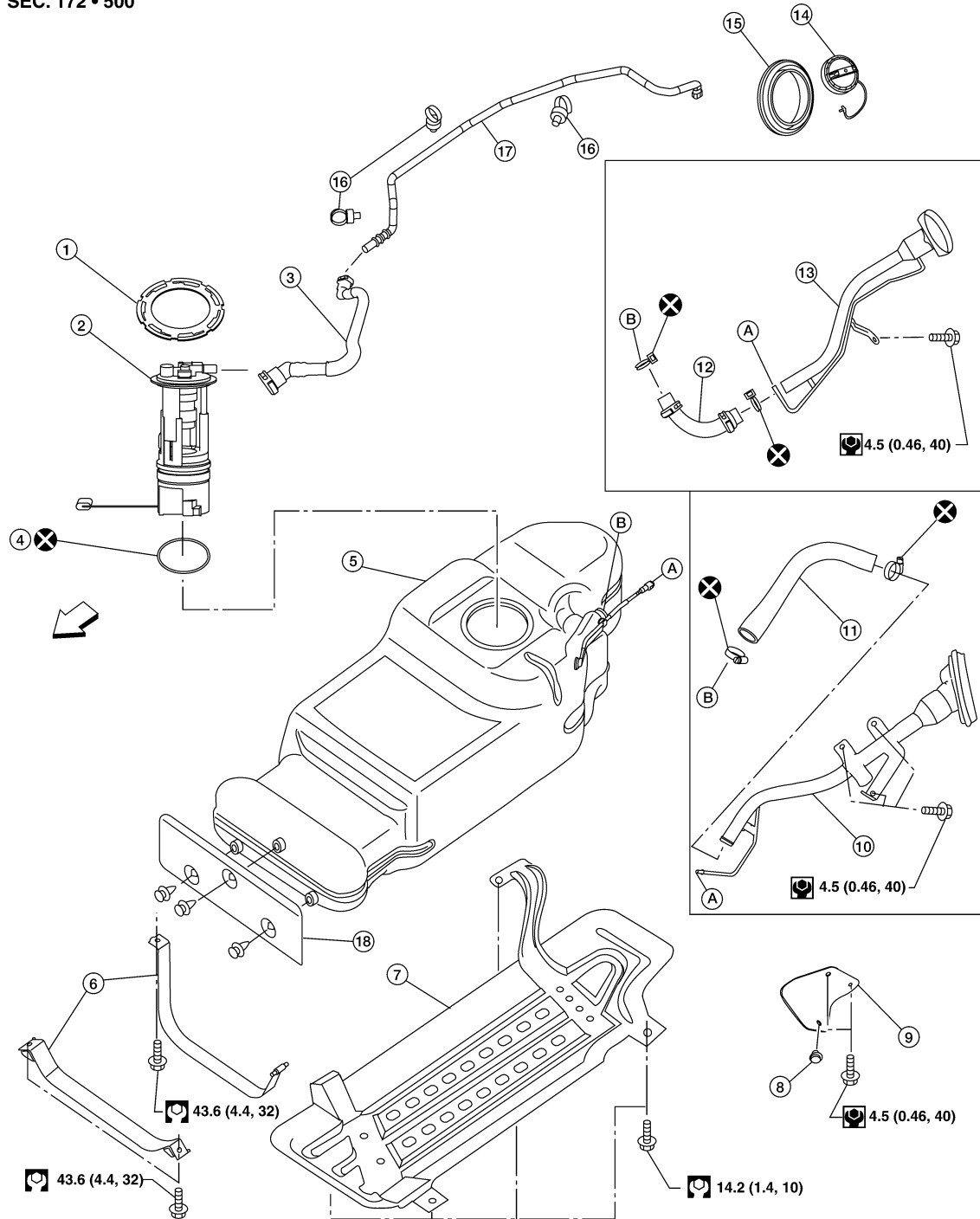
ON-VEHICLE REPAIR

FUEL TANK

Removal and Installation

INFOID:000000005275653

SEC. 172 • 500



AWBIA0866GB

- | | | |
|--|---|----------------------------|
| 1. Lock ring | 2. Fuel level sensor, fuel filter, and fuel pump assembly | 3. EVAP hose |
| 4. Fuel level sensor, fuel filter, and fuel pump assembly O-ring | 5. Fuel tank | 6. Fuel tank straps |
| 7. Fuel tank shield | 8. Clip | 9. Fuel filler pipe shield |

FUEL TANK

< ON-VEHICLE REPAIR >

- | | | |
|-------------------------------------|------------------------|--------------------------------|
| 10. Fuel filler pipe (crew cab) | 11. Fuel filler hose | 12. Fuel filler hose |
| 13. Fuel filler pipe (king cab) | 14. Fuel filler cap | 15. Fuel filler pipe grommet |
| 16. Clamp | 17. EVAP canister hose | B. Fuel filler hose connection |
| A. Fuel filler hose vent connection | ↩ Front | |

REMOVAL

WARNING:

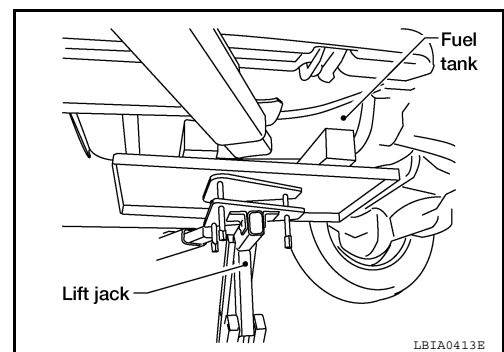
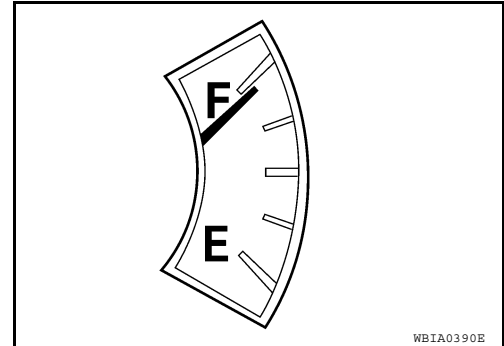
Follow the "General Precautions" before working on the fuel system. Refer to [FL-2, "General Precaution"](#).

1. Remove the fuel filler cap to release the pressure from inside the fuel tank.
2. Remove the LH rear wheel and tire. Refer to [WT-46, "Rotation"](#).
3. Check the fuel level on level gauge. If the fuel gauge indicates more than the level as shown (full or almost full), drain the fuel from the fuel tank until the fuel gauge indicates the level as shown, or less.

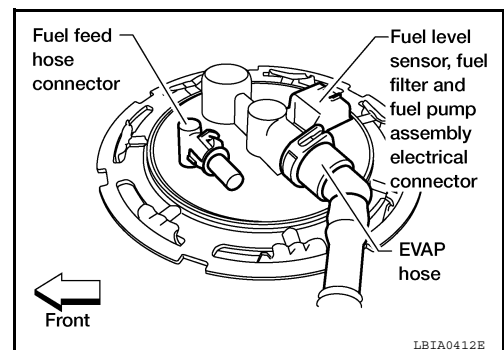
NOTE:

Fuel will be spilled when removing the fuel level sensor, fuel filter, and fuel pump assembly for the fuel level is above the fuel level sensor, fuel filter, and fuel pump assembly fuel tank opening.

- As a guide, the fuel level reaches the fuel gauge position as shown, or less, when approximately 15 ℓ (4 US gal, 3 1/4 Imp gal) of fuel are drained from the fuel tank.
 - If the fuel pump does not operate, use the following procedure to drain the fuel to the specified level.
- a. Insert a suitable hose of less than 15 mm (0.59 in) diameter into the fuel filler pipe through the fuel filler opening to drain the fuel from fuel filler pipe.
 - b. Remove the fuel filler pipe shield.
 - c. Disconnect the fuel filler hose from the fuel filler pipe.
 - d. Insert a suitable hose into the fuel tank through the fuel filler hose to drain the fuel from the fuel tank.
4. Release the fuel pressure from the fuel lines. Refer to [EC-454, "Fuel Pressure Check"](#) (QR25DE), [EC-954, "Fuel Pressure Check"](#) (VQ40DE).
 5. Disconnect the battery negative terminal.
 6. Remove the fuel tank shield.
 7. Remove the fuel tank strap bolts while supporting the fuel tank with a suitable lift jack.
 8. Lower the fuel tank using a suitable lift jack to access the top of the fuel level sensor, fuel filter, and fuel pump assembly.



9. Disconnect the fuel level sensor, fuel filter, and fuel pump assembly electrical connector, EVAP hose, and the fuel feed hose.
 - Disconnect the fuel feed hose from the molded clip in the side of the fuel tank.

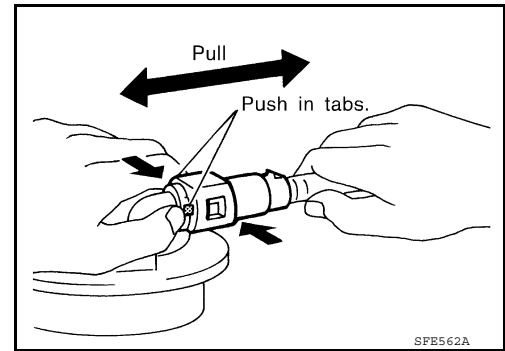


FUEL TANK

< ON-VEHICLE REPAIR >

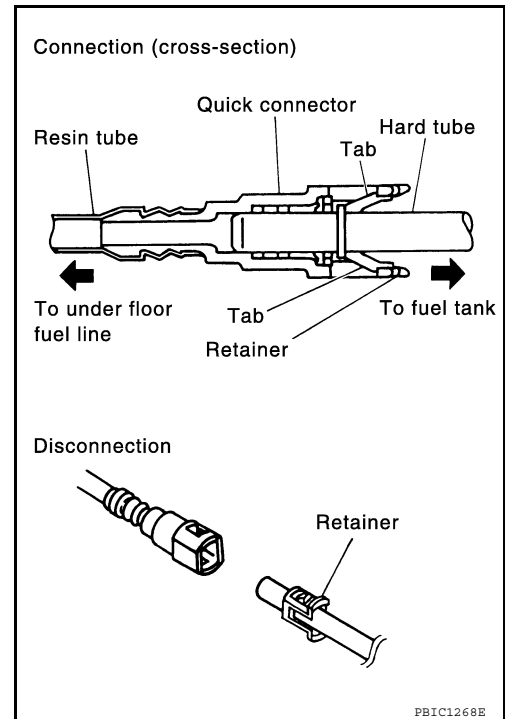
Disconnect the quick connector as follows:

- Hold the sides of the connector, push in tabs and pull out the tube.
- If the connector and the tube are stuck together, push and pull several times until they start to move. Then disconnect them by pulling.

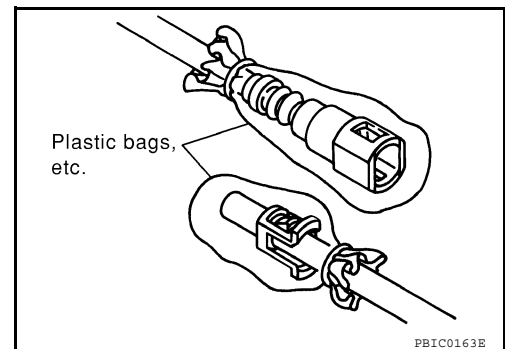


CAUTION:

- The quick connector can be disconnected when the tabs are completely depressed. Do not twist the quick connector more than necessary.
- Do not use any tools to disconnect the quick connector.
- Keep the resin tube away from heat. Be especially careful when welding near the tube.
- Prevent any acid liquids such as battery electrolyte, from getting on the resin tube.
- Do not bend or twist the resin tube during connection.
- Do not remove the remaining retainer on the hard tube (or the equivalent) except when the resin tube or the retainer is replaced.
- When the resin tube or hard tube, or the equivalent, is replaced, also replace the retainer with a new one (semi-transparent retainer).



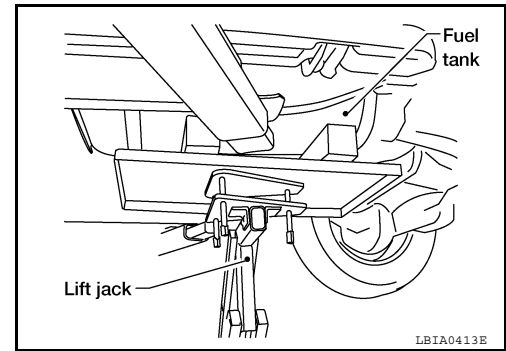
- To keep the quick connector clean and to avoid damage and contamination from foreign materials, cover the quick connector with plastic bags or suitable material as shown.



FUEL TANK

< ON-VEHICLE REPAIR >

10. Lower the fuel tank using a suitable lift jack and remove it from the vehicle.



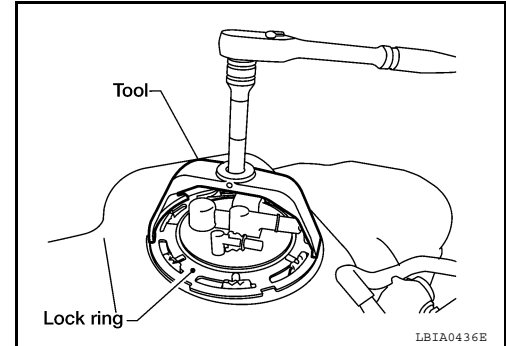
11. Remove the lock ring using Tool as shown.

Tool number : — (J-45722)

12. Disconnect the EVAP hose from the molded clip in the top of the fuel tank.
13. Remove the fuel level sensor, fuel filter, and fuel pump assembly. Remove and discard the fuel level sensor, fuel filter, and fuel pump assembly O-ring.

CAUTION:

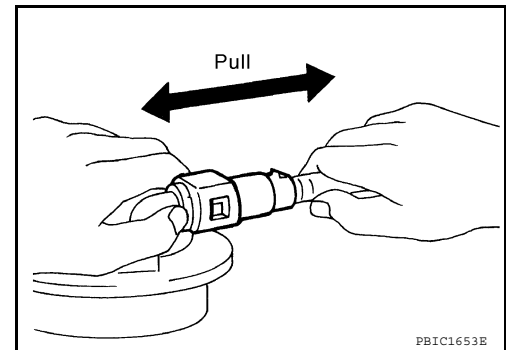
- Do not bend the float arm during removal.
- Avoid impacts such as dropping when handling the components.



INSTALLATION

Installation is in the reverse order of removal.

- For installation, use a new fuel level sensor, fuel filter, and fuel pump assembly O-ring.
- Connect the quick connector as follows:
 - Check the connection for any damage or foreign materials.
 - Align the connector with the pipe, then insert the connector straight into the pipe until a click is heard.
 - After connecting the quick connector, make sure that the connection is secure by checking as follows:
 - Pull the tube and the connector to make sure they are securely connected.
 - Visually inspect the connector to make sure the two retainer tabs are securely connected.



INSPECTION AFTER INSTALLATION

1. Turn the ignition switch ON but do not start engine, then check the fuel pipes and hose connections for leaks while applying fuel pressure to the system.
2. Start the engine and rev it above idle speed, then check that there are no fuel leaks at any of the fuel pipe and hose connections.

FUEL LEVEL SENSOR UNIT, FUEL FILTER AND FUEL PUMP ASSEMBLY

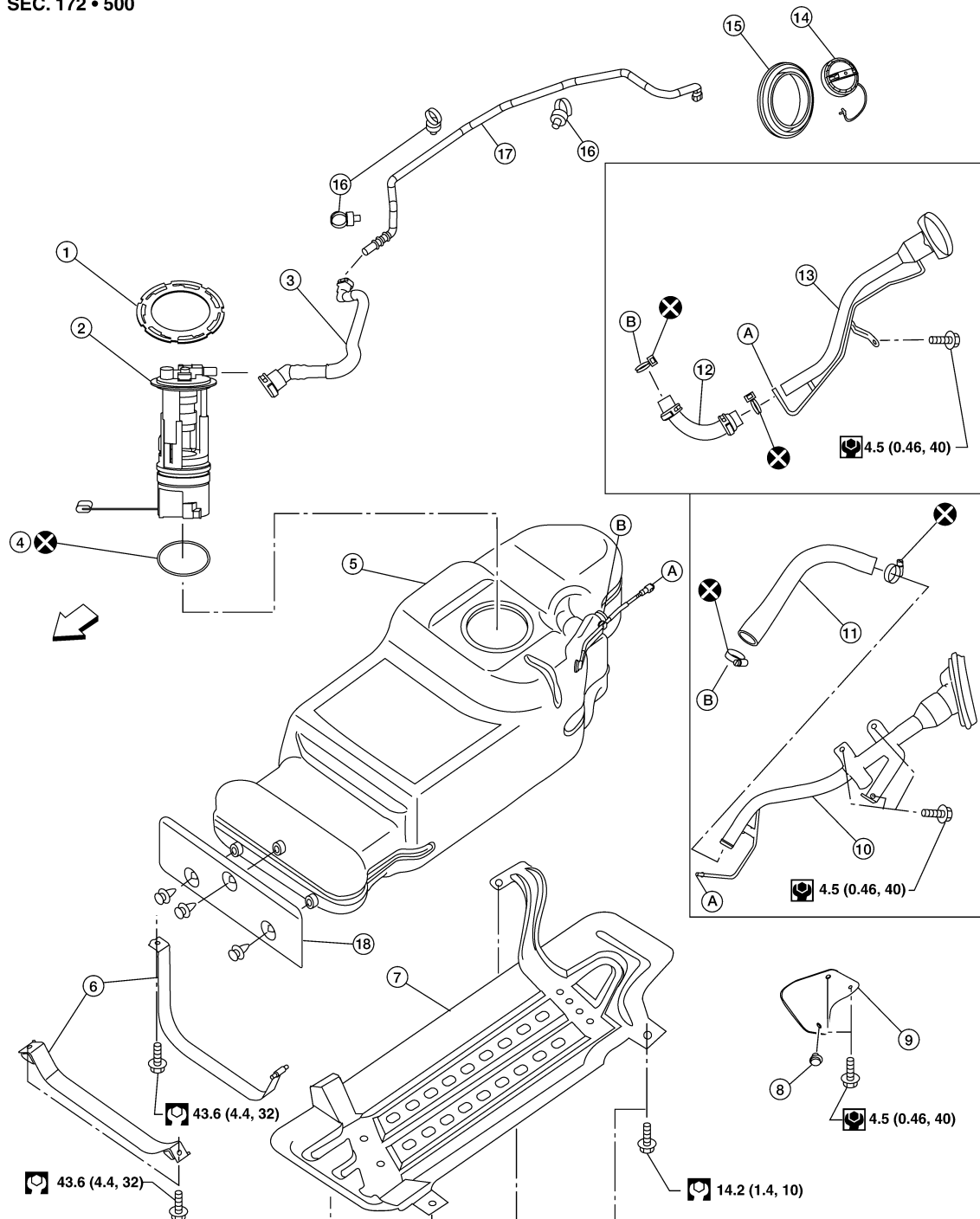
< ON-VEHICLE REPAIR >

FUEL LEVEL SENSOR UNIT, FUEL FILTER AND FUEL PUMP ASSEMBLY

Removal and Installation

INFOID:000000005275654

SEC. 172 • 500



AWBIA0866GB

- | | | |
|--|---|------------------------------|
| 1. Lock ring | 2. Fuel level sensor, fuel filter, and fuel pump assembly | 3. EVAP hose |
| 4. Fuel level sensor, fuel filter, and fuel pump assembly O-ring | 5. Fuel tank | 6. Fuel tank straps |
| 7. Fuel tank shield (If equipped) | 8. Clip | 9. Fuel filler pipe shield |
| 10. Fuel filler pipe (crew cab) | 11. Fuel filler hose | 12. Fuel filler hose |
| 13. Fuel filler pipe (king cab) | 14. Fuel filler cap | 15. Fuel filler pipe grommet |

FUEL LEVEL SENSOR UNIT, FUEL FILTER AND FUEL PUMP ASSEMBLY

< ON-VEHICLE REPAIR >

16. Clamp

17. EVAP canister hose

B. Fuel filler hose connection

A. Fuel filler hose vent connection

← Front

REMOVAL

WARNING:

Follow the "General Precautions" before working on the fuel system. Refer to [FL-2. "General Precaution"](#).

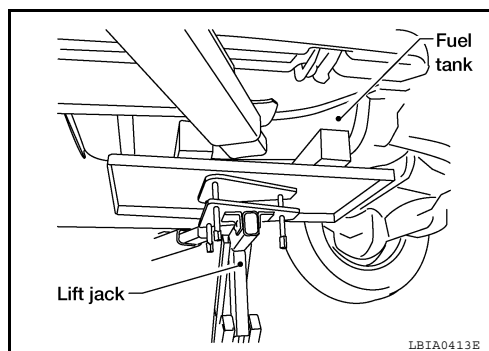
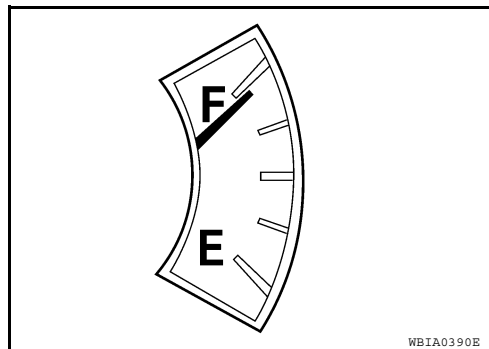
1. Remove the fuel filler cap to release the pressure from inside the fuel tank.
2. Remove the LH rear wheel and tire. Refer to [WT-46. "Rotation"](#).

3. Check the fuel level on level gauge. If the fuel gauge indicates more than the level as shown (full or almost full), drain the fuel from the fuel tank until the fuel gauge indicates the level as shown, or less.

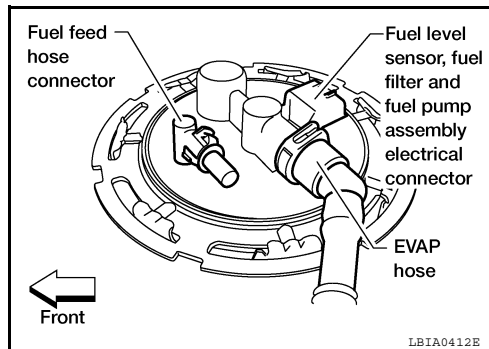
NOTE:

Fuel will be spilled when removing the fuel level sensor, fuel filter, and fuel pump assembly for the fuel level is above the fuel level sensor, fuel filter, and fuel pump assembly fuel tank opening.

- As a guide, the fuel level reaches the fuel gauge position as shown, or less, when approximately 15 ℓ (4 US gal, 3 1/4 Imp gal) of fuel are drained from the fuel tank.
 - If the fuel pump does not operate, use the following procedure to drain the fuel to the specified level.
 - a. Insert a suitable hose of less than 15 mm (0.59 in) diameter into the fuel filler pipe through the fuel filler opening to drain the fuel from fuel filler pipe.
 - b. Remove the fuel filler pipe shield.
 - c. Disconnect the fuel filler hose from the fuel filler pipe.
 - d. Insert a suitable hose into the fuel tank through the fuel filler hose to drain the fuel from the fuel tank.
4. Release the fuel pressure from the fuel lines. Refer to [EC-454. "Fuel Pressure Check"](#) (QR25DE), [EC-954. "Fuel Pressure Check"](#) (VQ40DE).
 5. Disconnect the battery negative terminal.
 6. Remove the fuel tank shield.
 7. Remove the fuel tank strap bolts while supporting the fuel tank with a suitable lift jack.
 8. Lower the fuel tank using a suitable lift jack to access the top of the fuel level sensor, fuel filter, and fuel pump assembly.



9. Disconnect the fuel level sensor, fuel filter, and fuel pump assembly electrical connector, EVAP hose, and the fuel feed hose.
 - Disconnect the fuel feed hose from the molded clip in the side of the fuel tank.

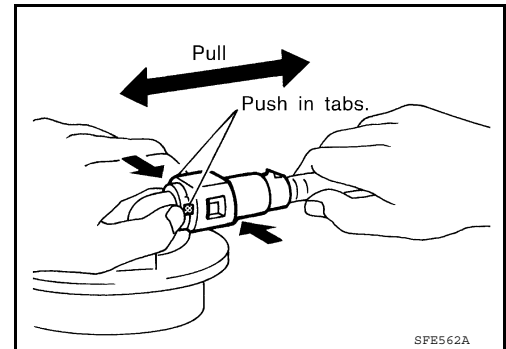


FUEL LEVEL SENSOR UNIT, FUEL FILTER AND FUEL PUMP ASSEMBLY

< ON-VEHICLE REPAIR >

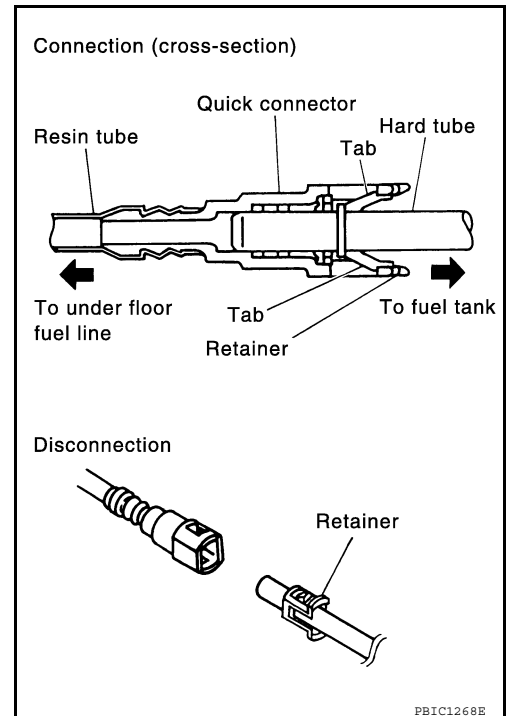
Disconnect the quick connector as follows:

- Hold the sides of the connector, push in tabs and pull out the tube.
- If the connector and the tube are stuck together, push and pull several times until they start to move. Then disconnect them by pulling.

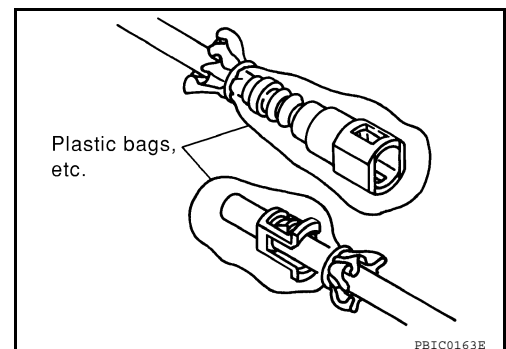


CAUTION:

- The quick connector can be disconnected when the tabs are completely depressed. Do not twist the quick connector more than necessary.
- Do not use any tools to disconnect the quick connector.
- Keep the resin tube away from heat. Be especially careful when welding near the tube.
- Prevent any acid liquids such as battery electrolyte, from getting on the resin tube.
- Do not bend or twist the resin tube during connection.
- Do not remove the remaining retainer on the hard tube (or the equivalent) except when the resin tube or the retainer is replaced.
- When the resin tube or hard tube, or the equivalent, is replaced, also replace the retainer with a new one (semi-transparent retainer).



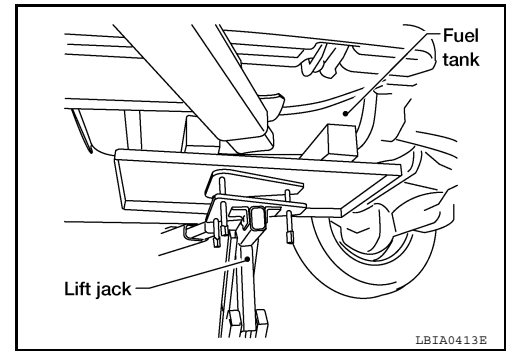
- To keep the quick connector clean and to avoid damage and contamination from foreign materials, cover the quick connector with plastic bags or suitable material as shown.



FUEL LEVEL SENSOR UNIT, FUEL FILTER AND FUEL PUMP ASSEMBLY

< ON-VEHICLE REPAIR >

10. Lower the fuel tank using a suitable lift jack and remove it from the vehicle to access the fuel level sensor, fuel filter, and fuel pump assembly.



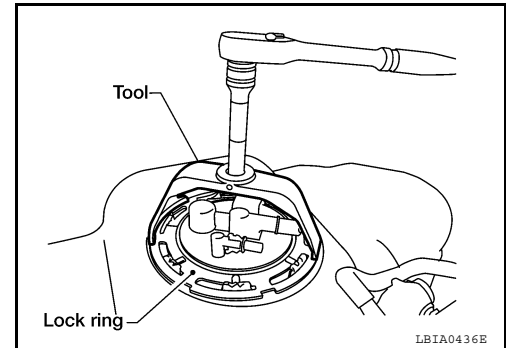
11. Remove the lock ring using Tool as shown.

Tool number : — (J-45722)

12. Disconnect the EVAP hose from the molded clip in the top of the fuel tank.
13. Remove the fuel level sensor, fuel filter, and fuel pump assembly. Remove and discard the fuel level sensor, fuel filter, and fuel pump assembly O-ring.

CAUTION:

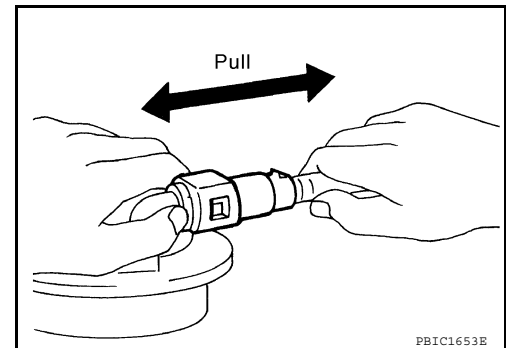
- Do not bend the float arm during removal.
- Avoid impacts such as dropping when handling the components.



INSTALLATION

Installation is in the reverse order of removal.

- For installation, use a new fuel level sensor, fuel filter, and fuel pump assembly O-ring.
- Connect the quick connector as follows:
 - Check the connection for any damage or foreign materials.
 - Align the connector with the pipe, then insert the connector straight into the pipe until a click is heard.
 - After connecting the quick connector, make sure that the connection is secure by checking as follows:
 - Pull the tube and the connector to make sure they are securely connected.
 - Visually inspect the connector to make sure the two retainer tabs are securely connected.



INSPECTION AFTER INSTALLATION

1. Turn the ignition switch ON but do not start engine, then check the fuel pipes and hose connections for leaks while applying fuel pressure to the system.
2. Start the engine and rev it above idle speed, then check that there are no fuel leaks at any of the fuel pipe and hose connections.

A
FL
C
D
E
F
G
H
I
J
K
L
M
N
O
P

FUEL LEVEL SENSOR UNIT, FUEL FILTER AND FUEL PUMP ASSEMBLY

< DISASSEMBLY AND ASSEMBLY >

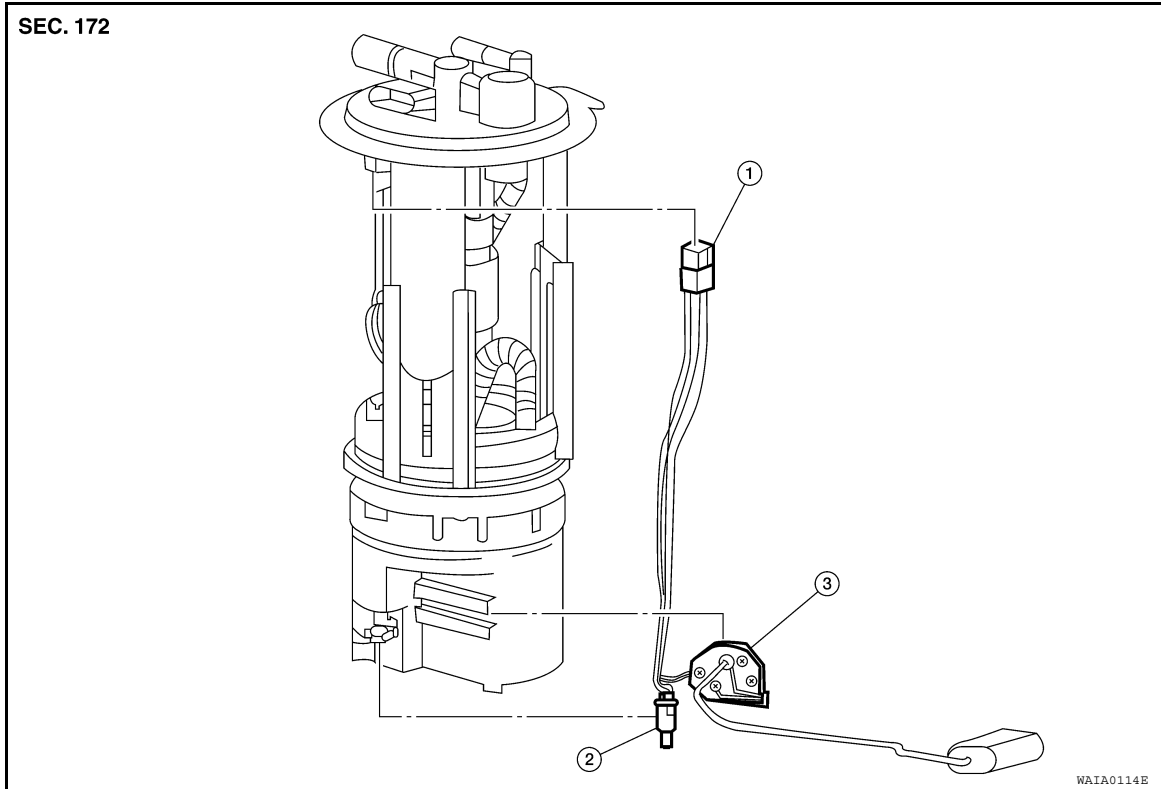
DISASSEMBLY AND ASSEMBLY

FUEL LEVEL SENSOR UNIT, FUEL FILTER AND FUEL PUMP ASSEMBLY

Disassembly and Assembly

INFOID:000000005275655

Fuel Level Sender Unit Assembly



1. Harness connector

2. Fuel sensor

3. Fuel level sender unit assembly

Disassembly

1. Disconnect the harness connector.
2. Remove the fuel sensor.
3. Remove the fuel level sender unit assembly.

Assembly

Assembly is the reverse order of disassembly.

SERVICE DATA AND SPECIFICATIONS (SDS)

< SERVICE DATA AND SPECIFICATIONS (SDS)

SERVICE DATA AND SPECIFICATIONS (SDS)

SERVICE DATA AND SPECIFICATIONS (SDS)

Standard and Limit

INFOID:000000005275656

A

FL

Fuel tank capacity	80 ℓ (21 1/8 US gal, 17 5/8 Imp gal)
--------------------	--------------------------------------

C

D

E

F

G

H

I

J

K

L

M

N

O

P