

SECTION **SB**
SEAT BELT

A
B
C
D
E
F
G
SB
I
J
K
L
M
N
O
P

CONTENTS

PRECAUTION	2	Seat Belt Inspection	7
PRECAUTIONS	2	REAR SEAT BELT	10
Precaution for Supplemental Restraint System (SRS) "AIR BAG" and "SEAT BELT PRE-TEN- SIONER"	2	Exploded View	10
Precaution for Seat Belt Service	2	Removal and Installation	11
ON-VEHICLE REPAIR	4	Seat Belt Inspection	12
FRONT SEAT BELT	4	LATCH (LOWER ANCHORS AND TETHER FOR CHILDREN) SYSTEM	15
Exploded View	4	Removal and Installation	15
Removal and Installation	5	TOP TETHER STRAP CHILD RESTRAINT	16
		Removal and Installation	16

PRECAUTIONS

< PRECAUTION >

PRECAUTION

PRECAUTIONS

Precaution for Supplemental Restraint System (SRS) "AIR BAG" and "SEAT BELT PRE-TENSIONER"

INFOID:00000000531166

The Supplemental Restraint System such as "AIR BAG" and "SEAT BELT PRE-TENSIONER", used along with a front seat belt, helps to reduce the risk or severity of injury to the driver and front passenger for certain types of collision. This system includes seat belt switch inputs and dual stage front air bag modules. The SRS system uses the seat belt switches to determine the front air bag deployment, and may only deploy one front air bag, depending on the severity of a collision and whether the front occupants are belted or unbelted. Information necessary to service the system safely is included in the SR and SB section of this Service Manual.

WARNING:

- To avoid rendering the SRS inoperative, which could increase the risk of personal injury or death in the event of a collision which would result in air bag inflation, all maintenance must be performed by an authorized NISSAN/INFINITI dealer.
- Improper maintenance, including incorrect removal and installation of the SRS, can lead to personal injury caused by unintentional activation of the system. For removal of Spiral Cable and Air Bag Module, see the SR section.
- Do not use electrical test equipment on any circuit related to the SRS unless instructed to in this Service Manual. SRS wiring harnesses can be identified by yellow and/or orange harnesses or harness connectors.

PRECAUTIONS WHEN USING POWER TOOLS (AIR OR ELECTRIC) AND HAMMERS

WARNING:

- When working near the Airbag Diagnosis Sensor Unit or other Airbag System sensors with the Ignition ON or engine running, DO NOT use air or electric power tools or strike near the sensor(s) with a hammer. Heavy vibration could activate the sensor(s) and deploy the air bag(s), possibly causing serious injury.
- When using air or electric power tools or hammers, always switch the Ignition OFF, disconnect the battery, and wait at least 3 minutes before performing any service.

Precaution for Seat Belt Service

INFOID:000000005272883

CAUTION:

- Before removing the seat belt pre-tensioner assembly, turn the ignition switch OFF, disconnect both battery cables and wait at least 3 minutes.
- After replacing or reinstalling seat belt pre-tensioner assembly, or reconnecting seat belt pre-tensioner assembly connector, ensure entire SRS operates properly. Refer to [SRC-13, "SRS Operation Check"](#).
- Do not disassemble buckle or seat belt assembly.
- Do not reuse seat belt anchor bolts after removal. Replace with new ones.
- Replace anchor bolts if they are deformed or worn out.
- Never oil tongue and buckle.
- If any component of seat belt assembly is questionable, do not repair. Replace the whole seat belt assembly.
- If webbing is cut, frayed, or damaged, replace seat belt assembly.
- When replacing seat belt assembly, use a genuine NISSAN seat belt assembly.

AFTER A COLLISION

WARNING:

- Inspect all seat belt assemblies including retractors and attaching hardware after any collision.
- NISSAN recommends that all seat belt assemblies in use during a collision be replaced unless the collision was minor and the belts show no damage and continue to operate properly. Failure to do so could result in serious personal injury in an accident. Seat belt assemblies not in use during a collision should also be replaced if either damage or improper operation is noted. Seat belt pre-tensioner should be replaced even if the seat belts are not in use during a frontal collision in which the air bags are deployed.

Replace any seat belt assembly (including anchor bolts) if:

PRECAUTIONS

< PRECAUTION >

- The seat belt was in use at the time of a collision (except for minor collisions and the belts, retractors and buckles show no damage and continue to operate properly).
- The seat belt was damaged in an accident. (i.e., torn webbing, bent retractor or guide, etc.)
- The seat belt attaching point was damaged in an accident. Inspect the seat belt attaching area for damage or distortion and repair as necessary before installing a new seat belt assembly.
- Anchor bolts are deformed or worn out.
- The seat belt pre-tensioner should be replaced even if the seat belts are not in use during the collision in which the air bags are deployed.

A

B

C

D

E

F

G

SB

I

J

K

L

M

N

O

P

FRONT SEAT BELT

< ON-VEHICLE REPAIR >

ON-VEHICLE REPAIR

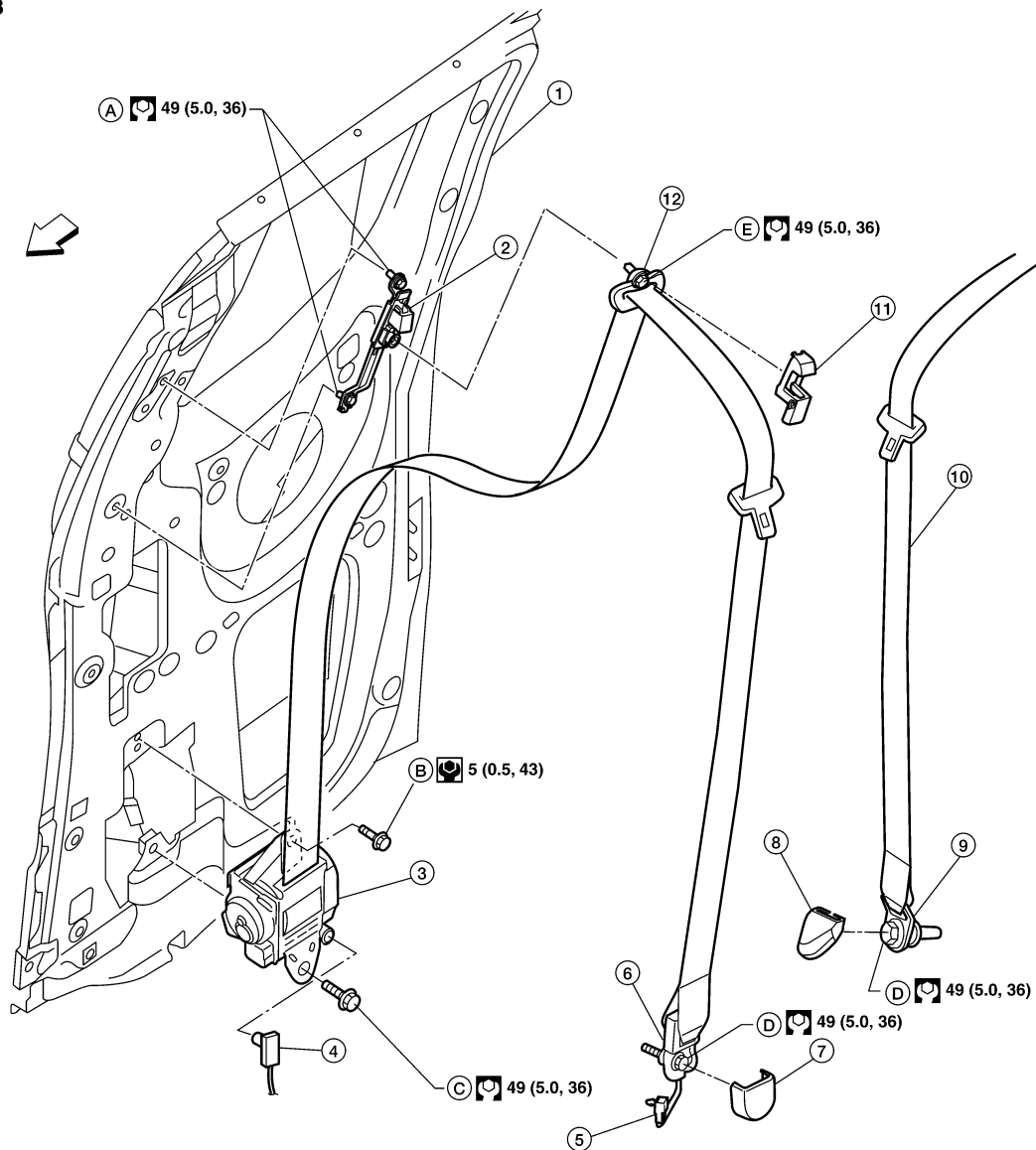
FRONT SEAT BELT

Exploded View

INFOID:000000005272884

King Cab Models

SEC. 868



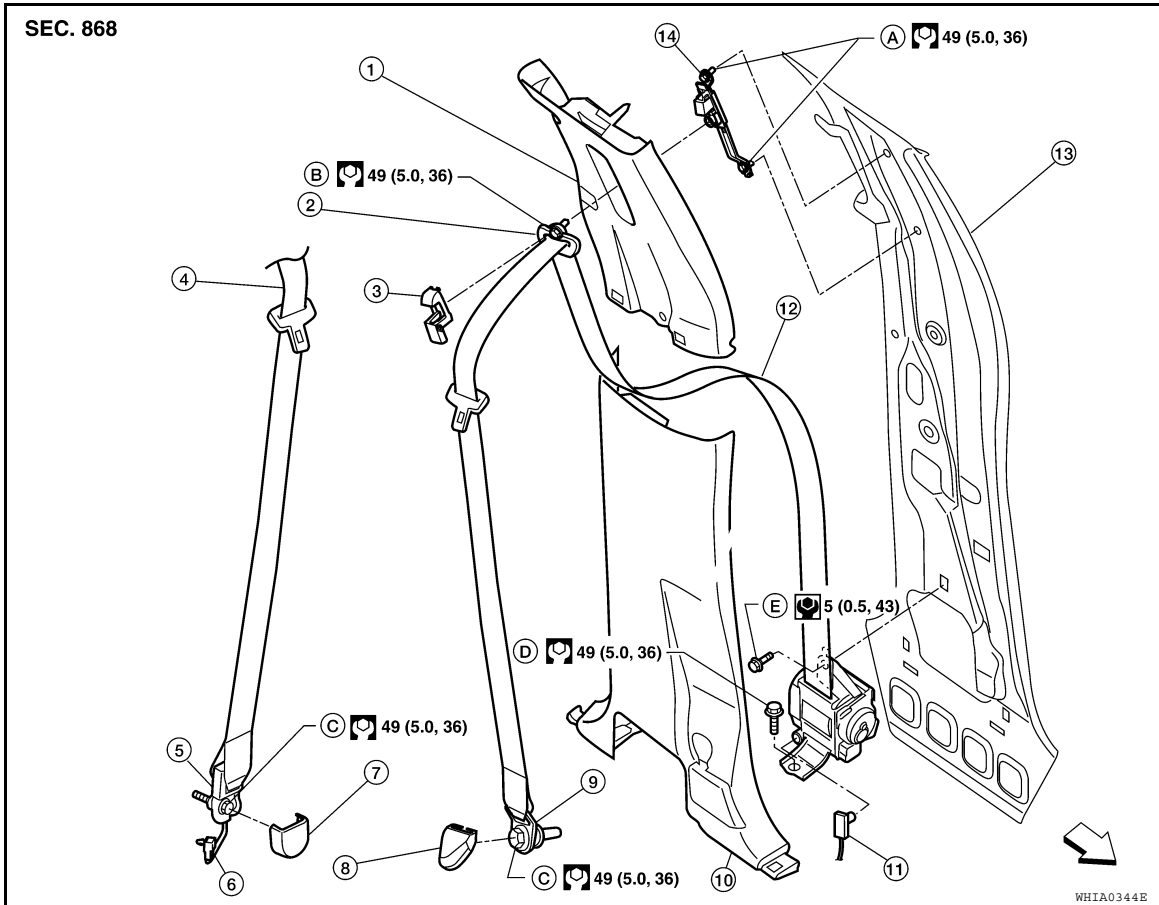
WH1A0345E

- | | | |
|--|---------------------------------------|---|
| 1. Center pillar | 2. Seat belt height adjuster | 3. Seat belt retractor and belt assembly RH |
| 4. Seat belt pre-tensioner connector | 5. Seat belt tension sensor connector | 6. Seat belt lower anchor RH (seat belt tension sensor) |
| 7. Anchor cover RH | 8. Anchor cover LH | 9. Seat belt lower anchor LH |
| 10. Seat belt retractor and belt assembly LH | 11. D-ring anchor bolt cover | 12. D-ring anchor |
| A. Height adjuster anchor bolt | B. Retractor bolt upper | C. Retractor anchor bolt |
| D. Seat belt lower anchor bolt | E. D-ring anchor bolt | ↙ Vehicle front |

FRONT SEAT BELT

< ON-VEHICLE REPAIR >

Crew Cab Models



- | | | |
|---|---|--|
| 1. Center pillar upper finisher | 2. D-ring anchor | 3. D-ring anchor bolt cover |
| 4. Seat belt retractor and belt assembly RH | 5. Seat belt lower anchor RH (seat belt tension sensor) | 6. Seat belt tension sensor connector |
| 7. Anchor cover RH | 8. Anchor cover LH | 9. Seat belt lower anchor LH |
| 10. Center pillar lower finisher | 11. Seat belt pre-tensioner connector | 12. Seat belt retractor and belt assembly LH |
| 13. Center pillar | 14. Seat belt height adjuster | A. Height adjuster anchor bolt |
| B. D-ring anchor bolt | C. Seat belt lower anchor bolt | D. Retractor anchor bolt |
| E. Retractor bolt upper | ↶ Vehicle front | |

Removal and Installation

INFOID:000000005272885

REMOVAL OF SEAT BELT RETRACTOR - KING CAB

CAUTION:

- Before servicing SRS, turn the ignition switch off, disconnect both battery terminals and wait at least three minutes.

1. Disconnect both the negative and positive battery terminals, then wait at least three minutes.
2. Remove the rear door finishers. Refer to [INT-14, "Removal and Installation"](#).
3. Remove the retractor anchor bolt, retractor bolt upper, then remove the retractor and belt assembly.
 - On RH side, disconnect the seat belt tension sensor.

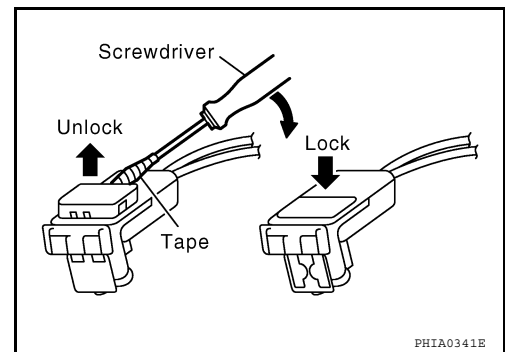
FRONT SEAT BELT

< ON-VEHICLE REPAIR >

4. Disconnect the seat belt pre-tensioner harness connector.

CAUTION:

- For installing/removing seat belt pre-tensioner connector, insert a thin screwdriver wrapped in tape into the notch, lift the lock and remove the connector.
- Install the connector with the lock raised, and push the lock into the connector.



INSTALLATION OF SEAT BELT RETRACTOR - KING CAB

CAUTION:

Hold belt tension sensor harness away from being caught or twisted during installation.

Installation is in the reverse order of removal.

- Install the seat belt retractor upper bolt first.
- Ensure that seat belt height adjuster is locked in the lowest position during installation.

REMOVAL OF SEAT BELT RETRACTOR - CREW CAB

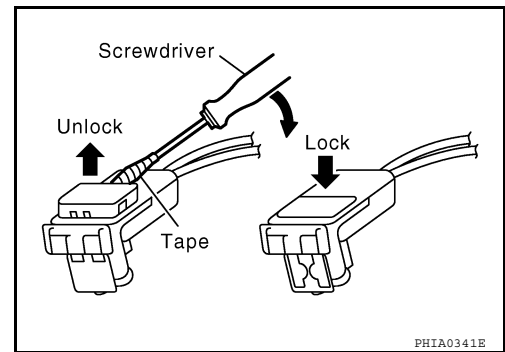
CAUTION:

- Before servicing SRS, turn the ignition switch off, disconnect both battery terminals and wait at least three minutes.

1. Disconnect both the negative and positive battery terminals, then wait at least three minutes.
2. Remove the center pillar upper/lower finishers. Refer to [INT-18, "Removal and Installation"](#).
3. Remove the seat belt retractor and belt bolts and assembly.
 - On RH side, disconnect the seat belt tension sensor.
4. Disconnect the seat belt pre-tensioner harness connector.

CAUTION:

- For installing/removing seat belt pre-tensioner connector, insert a thin screwdriver wrapped in tape into the notch, lift the lock and remove the connector.
- Install the connector with the lock raised, and push the lock into the connector.



INSTALLATION OF SEAT BELT RETRACTOR - CREW CAB

CAUTION:

Hold belt tension sensor harness away from being caught or twisted during installation.

Installation is in the reverse order of removal.

- Install the seat belt retractor and belt assembly upper bolt first.
- Ensure that seat belt height adjuster is locked in the lowest position during installation.

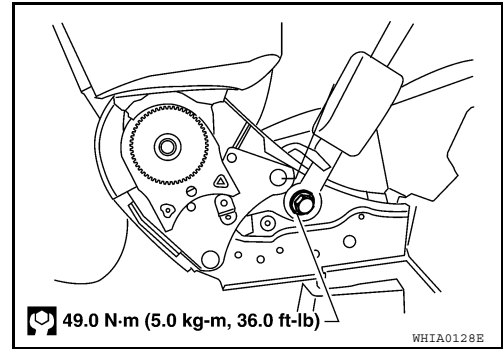
REMOVAL OF SEAT BELT BUCKLE

1. Remove the front seat. Refer to [SE-28, "Removal and Installation"](#).

FRONT SEAT BELT

< ON-VEHICLE REPAIR >

2. Remove screw and seat cushion inner finisher.
3. Remove the anchor bolt and buckle.
4. Disconnect the buckle switch connector from the seat connector.



INSTALLATION OF SEAT BELT BUCKLE

Installation is in the reverse order of removal.

Seat Belt Inspection

INFOID:000000005272886

AFTER A COLLISION

WARNING:

Inspect all seat belt assemblies including retractors and attaching hardware after any collision. NISSAN recommends that all seat belt assemblies in use during a collision be replaced unless the collision was minor and the belts show no damage and continue to operate properly. Failure to do so could result in serious personal injury in an accident. Seat belt assemblies not in use during a collision should also be replaced if either damage or improper operation is noted. Seat belt pre-tensioners should be replaced even if the seat belts are not in use during a frontal collision in which the air bags are deployed.

Replace any seat belt assembly (including anchor bolts) if:

- The seat belt was in use at the time of a collision (except for minor collisions and the belts, retractors and buckles show no damage and continue to operate properly).
- The seat belt was damaged in an accident. (i.e. torn webbing, bent retractor or guide).
- The seat belt attaching point was damaged in an accident. Inspect the seat belt attaching area for damage or distortion and repair as necessary before installing a new seat belt assembly.
- Anchor bolts are deformed or worn out.
- The seat belt pre-tensioner should be replaced even if the seat belts are not in use during the collision in which the air bags are deployed.

PRELIMINARY CHECKS

1. Check the seat belt warning lamp/chime for proper operation as follows:
 - a. Switch ignition ON. The seat belt warning lamp should illuminate. Also, the seat belt warning chime should sound for about seven seconds.
 - b. Fasten driver's seat belt. The seat belt warning lamp should go out and the chime (if sounding) should stop.
2. If the air bag warning lamp is blinking, conduct self-diagnosis using CONSULT-III, and air bag warning lamp. Refer to [SRC-13, "SRS Operation Check"](#).
3. Check that the seat belt retractor, seat belt anchor and buckle bolts are securely attached.
4. Check the shoulder seat belt guide and shoulder belt height adjuster for front seats. Ensure guide swivels freely and that belt lays flat and does not bind in guide. Ensure height adjuster operates properly and holds securely.
5. Check retractor operation:
 - a. Fully extend the seat belt webbing and check for twists, tears or other damage.
 - b. Allow the seat belt to retract. Ensure that belt returns smoothly and completely into the retractor. If the seat belt does not return smoothly, wipe the inside of the loops with a clean paper cloth, because dirt built up in the loops of the upper anchors can cause the seat belts to retract slowly.
 - c. Fasten the seat belt. Check the seat belt returns smoothly and completely to the retractor. If the belt does not return smoothly, the cause may be an accumulation of dust or dirt. Use the "SEAT BELT TAPE SET" and perform the following steps.

FRONT SEAT BELT

< ON-VEHICLE REPAIR >

Inspect the front seat belt through-anchor:

1. Pull the seat belt out to a length of 500 mm (19.69 in) or more.
2. Use a clip or other device to hold the seat belt at the center pillar belt opening.
3. Pass a thin wire through the through-anchor belt opening. Hold both ends of the wire and pull taut while moving it up and down several times along the belt opening surface to remove dirt.
4. Any dirt that cannot be removed with the wire can be removed by cleaning the opening with a clean cloth.
5. Apply tape at the point where the belt contacts the through-anchor belt opening.

NOTE:

Apply the tape so that there is no looseness or wrinkling.

6. Remove the clip holding the seat belt and check that the belt returns smoothly.
7. Repeat steps above as necessary to check the other seat belts.

SEAT BELT RETRACTOR ON-VEHICLE CHECK

Emergency Locking Retractors (ELR) and Automatic Locking Retractors (ALR)

NOTE:

All seat belt retractors are of the Emergency Locking Retractors (ELR) type. In an emergency (sudden stop) the retractor will lock and prevent the belt from extending any further. All 3-point type seat belt retractors except the driver's seat belt also have an Automatic Locking Retractors (ALR) mode. The ALR mode (also called child restraint mode) is used when installing child seats. The ALR mode is activated when the seat belt is fully extended. When the belt is then retracted partially, the ALR mode automatically locks the seat belt in a specific position so the belt cannot be extended any further. To cancel the ALR mode, allow the seat belt to fully wind back into the retractor.

Check the seat belt retractors using the following test(s) to determine if a retractor assembly is operating properly.

ELR Function Stationary Check

Grasp the shoulder belt and pull forward quickly. The retractor should lock and prevent the belt from extending further.

ALR Function Stationary Check

1. Pull out entire length of seat belt from retractor until a click is heard.
2. Retract the belt partially. A clicking noise should be heard as the belt retracts indicating that the retractor is in the Automatic Locking Retractor (ALR) mode.
3. Grasp the seat belt and try to pull out the retractor. The belt must lock and not extend any further. If necessary replace the retractor assembly.
4. Allow the entire length of the belt to retract to cancel the automatic locking mode.

ELR Function Moving Check

WARNING:

Perform the following test in a safe, open area clear of other vehicles and obstructions (for example, a large, empty parking lot). Road surface must be paved and dry. DO NOT perform the following test on wet or gravel roads or on public streets and highways. This could result in an accident and serious personal injury. The driver and passenger must be prepared to brace themselves in the event the retractor does not lock.

1. Fasten drivers seat belt. Buckle a passenger into the seat for the belt that is to be tested.
2. Proceed to the designated safe area.
3. Drive the vehicle at approximately 16 km/h (10 MPH). Notify any passengers of a pending sudden stop. The driver and passenger must be prepared to brace themselves in the event the retractor does not lock. Apply brakes firmly and make a very hard stop.

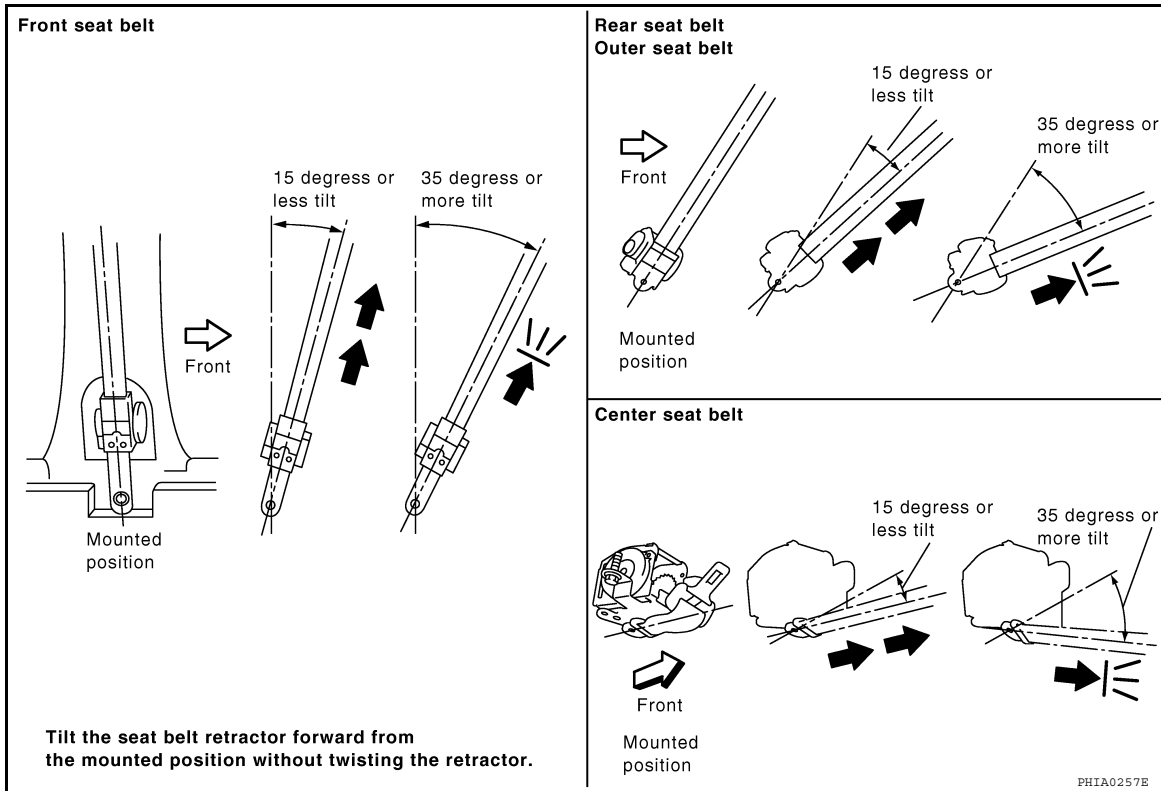
During stop, seat belts should lock and not be extended. If the seat belt retractor assembly does not lock, perform the retractor off-vehicle check.

SEAT BELT RETRACTOR OFF-VEHICLE CHECK

1. Remove the seat belt retractor assembly.
2. Slowly pull out belt while tilting the retractor assembly forward from the mounted position without twisting the retractor assembly as shown in the illustration.

FRONT SEAT BELT

< ON-VEHICLE REPAIR >



15 degrees or less tilt : Belt can be pulled out.

35 degrees or more tilt : Belt locks and cannot be pulled out.

If the seat belt does not operate within specifications, replace the seat belt retractor assembly.

A
B
C
D
E
F
G
SB
I
J
K
L
M
N
O
P

REAR SEAT BELT

< ON-VEHICLE REPAIR >

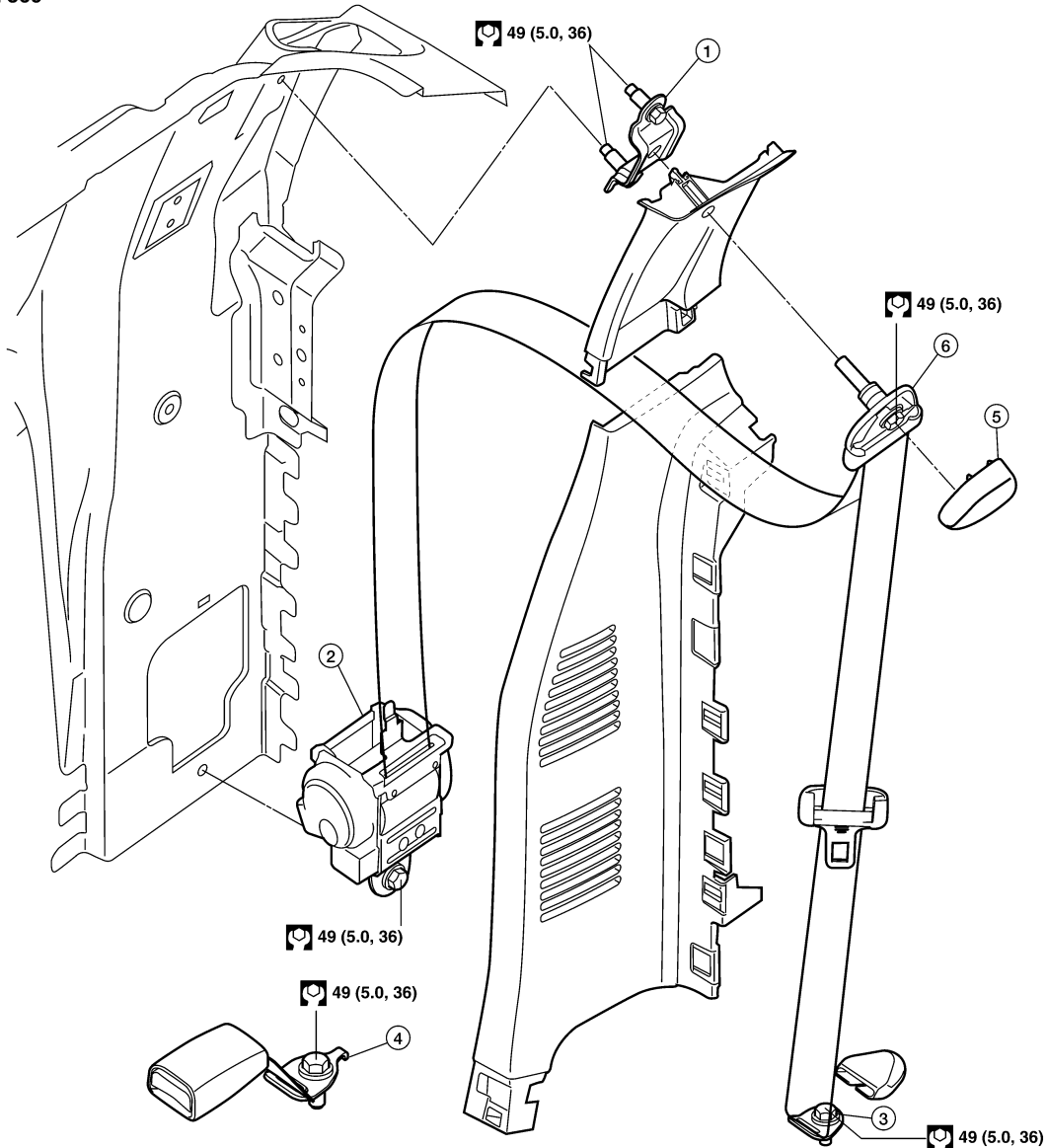
REAR SEAT BELT

Exploded View

INFOID:000000005272887

KING CAB MODELS

SEC. 869



N·m (kg·m, ft·lb)

LH1A0096E

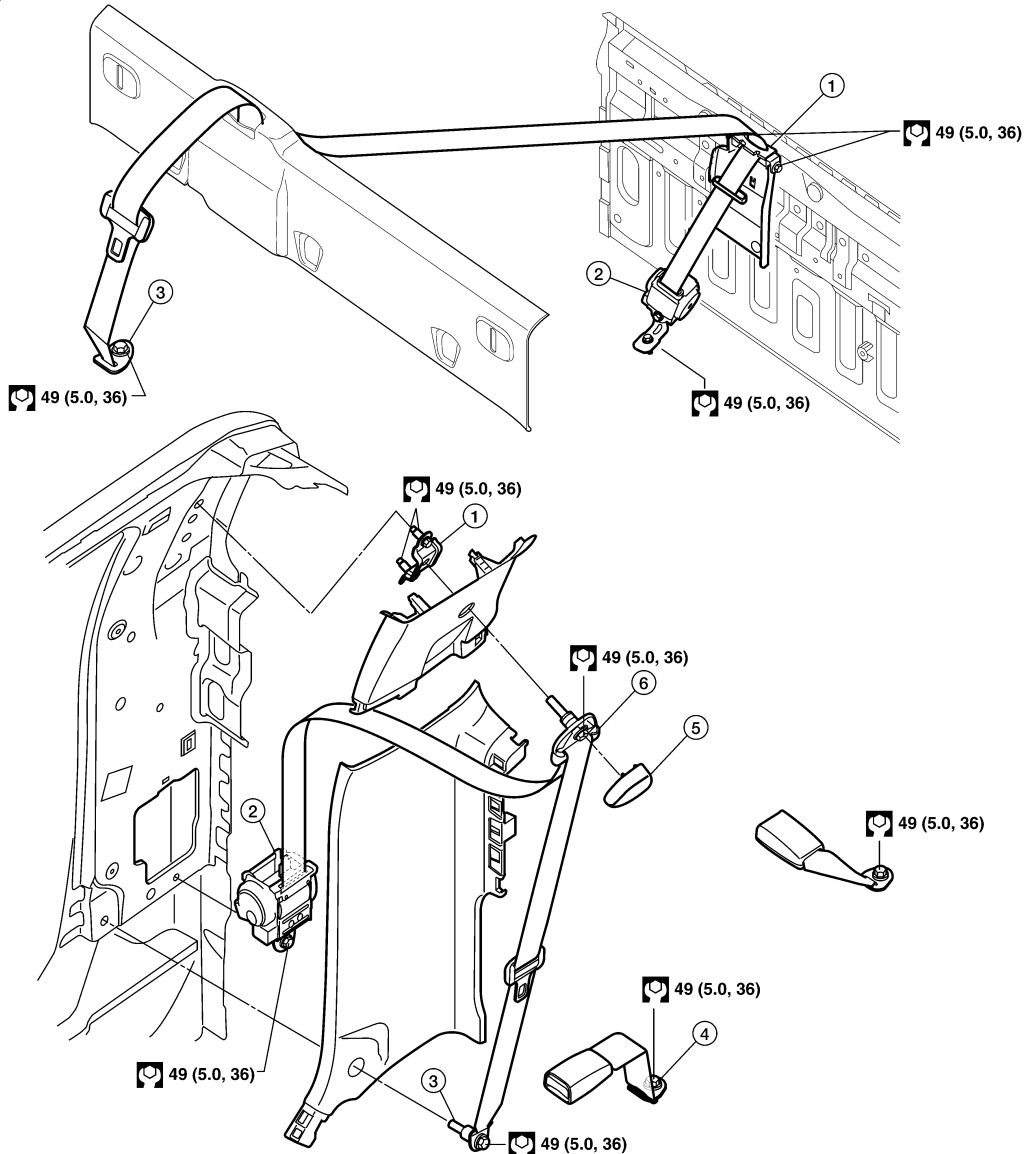
- | | | |
|----------------------|--|---------------------------|
| 1. Seat belt bracket | 2. Seat belt retractor and belt assembly | 3. Seat belt lower anchor |
| 4. Seat belt buckle | 5. D-ring anchor bolt cover | 6. D-ring anchor |

REAR SEAT BELT

< ON-VEHICLE REPAIR >

CREW CAB MODELS

SEC. 869



N-m (kg-m, ft-lb)

LHIA0099E

- | | | |
|-------------------------------|--|---------------------------|
| 1. Center belt shoulder guide | 2. Seat belt retractor and belt assembly | 3. Seat belt lower anchor |
| 4. Seat belt buckle | 5. D-ring anchor bolt cover | 6. D-ring anchor |

Removal and Installation

INFOID:000000005272888

REMOVAL OF SEAT BELT RETRACTOR - KING CAB

1. Remove seat belt lower anchor cover and bolt.
2. Remove the D-ring anchor bolt cover and D-ring anchor bolt.
3. Remove the upper and lower rear pillar finishers. Refer to [INT-18, "Removal and Installation"](#).
4. Remove seat belt retractor and belt assembly bolt.

INSTALLATION OF SEAT BELT RETRACTOR - KING CAB

Installation is in the reverse order of removal.

REMOVAL OF SEAT BELT RETRACTOR - CREW CAB OUTBOARD

1. Remove seat belt lower anchor cover and bolt.

A
B
C
D
E
F
G
SB
I
J
K
L
M
N
P

REAR SEAT BELT

< ON-VEHICLE REPAIR >

2. Remove the D-ring anchor bolt cover and D-ring anchor bolt.
3. Remove the upper and lower rear pillar finishers. Refer to [INT-18, "Removal and Installation"](#).
4. Remove seat belt retractor and belt bolt and assembly from vehicle.

INSTALLATION OF SEAT BELT RETRACTOR - CREW CAB OUTBOARD

Installation is in the reverse order of removal.

REMOVAL OF SEAT BELT RETRACTOR - CREW CAB CENTER

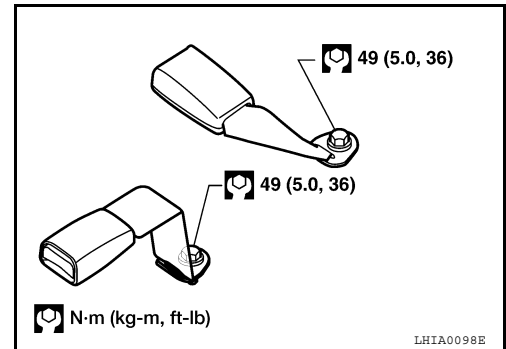
1. Position the rear seat cushion in the folded up position.
2. Remove seat belt lower anchor cover and bolt.
3. Remove rear panel upper finisher. Refer to [INT-18, "Removal and Installation"](#).
4. Remove center belt shoulder guide bolts.
5. Remove seat belt retractor and belt bolt and assembly from vehicle.

INSTALLATION OF SEAT BELT RETRACTOR - CREW CAB CENTER

Installation is in the reverse order of removal.

REMOVAL OF SEAT BELT BUCKLE

1. Position rear seat cushion in the folded up position.
2. Remove the anchor bolt and seat belt buckle.



INSTALLATION OF SEAT BELT BUCKLE

Installation is in the reverse order of removal.

Seat Belt Inspection

INFOID:000000005272889

AFTER A COLLISION

WARNING:

Inspect all seat belt assemblies including retractors and attaching hardware after any collision. NISSAN recommends that all seat belt assemblies in use during a collision be replaced unless the collision was minor and the belts show no damage and continue to operate properly. Failure to do so could result in serious personal injury in an accident. Seat belt assemblies not in use during a collision should also be replaced if either damage or improper operation is noted. Seat belt pre-tensioners should be replaced even if the seat belts are not in use during a frontal collision in which the air bags are deployed.

Replace any seat belt assembly (including anchor bolts) if:

- The seat belt was in use at the time of a collision (except for minor collisions and the belts, retractors and buckles show no damage and continue to operate properly).
- The seat belt was damaged in an accident. (i.e. torn webbing, bent retractor or guide).
- The seat belt attaching point was damaged in an accident. Inspect the seat belt attaching area for damage or distortion and repair as necessary before installing a new seat belt assembly.
- Anchor bolts are deformed or worn out.
- The seat belt pre-tensioner should be replaced even if the seat belts are not in use during the collision in which the air bags are deployed.

PRELIMINARY CHECKS

1. Check the seat belt warning lamp/chime for proper operation as follows:
 - a. Switch ignition ON. The seat belt warning lamp should illuminate. Also, the seat belt warning chime should sound for about seven seconds.

REAR SEAT BELT

< ON-VEHICLE REPAIR >

- b. Fasten driver's seat belt. The seat belt warning lamp should go out and the chime (if sounding) should stop. A
2. If the air bag warning lamp is blinking, conduct self-diagnosis using CONSULT-III, and air bag warning lamp. Refer to [SRC-13. "SRS Operation Check"](#). B
3. Check that the seat belt retractor, seat belt anchor and buckle bolts are securely attached. C
4. Check the shoulder seat belt guide and shoulder belt height adjuster for front seats. Ensure guide swivels freely and that belt lays flat and does not bind in guide. Ensure height adjuster operates properly and holds securely. D
5. Check retractor operation: E
 - a. Fully extend the seat belt webbing and check for twists, tears or other damage. F
 - b. Allow the seat belt to retract. Ensure that belt returns smoothly and completely into the retractor. If the seat belt does not return smoothly, wipe the inside of the loops with a clean paper cloth, because dirt built up in the loops of the upper anchors can cause the seat belts to retract slowly. G
 - c. Fasten the seat belt. Check the seat belt returns smoothly and completely to the retractor. If the belt does not return smoothly, the cause may be an accumulation of dust or dirt. Use the "SEAT BELT TAPE SET" and perform the following steps. SB

Inspect the front seat belt through-anchor:

1. Pull the seat belt out to a length of 500 mm (19.69 in) or more. I
2. Use a clip or other device to hold the seat belt at the center pillar belt opening. J
3. Pass a thin wire through the through-anchor belt opening. Hold both ends of the wire and pull taut while moving it up and down several times along the belt opening surface to remove dirt. K
4. Any dirt that cannot be removed with the wire can be removed by cleaning the opening with a clean cloth. L
5. Apply tape at the point where the belt contacts the through-anchor belt opening. M

NOTE:

Apply the tape so that there is no looseness or wrinkling.

6. Remove the clip holding the seat belt and check that the belt returns smoothly. N
7. Repeat steps above as necessary to check the other seat belts. O

SEAT BELT RETRACTOR ON-VEHICLE CHECK

Emergency Locking Retractors (ELR) and Automatic Locking Retractors (ALR)

NOTE:

All seat belt retractors are of the Emergency Locking Retractors (ELR) type. In an emergency (sudden stop) the retractor will lock and prevent the belt from extending any further. All 3-point type seat belt retractors except the driver's seat belt also have an Automatic Locking Retractors (ALR) mode. The ALR mode (also called child restraint mode) is used when installing child seats. The ALR mode is activated when the seat belt is fully extended. When the belt is then retracted partially, the ALR mode automatically locks the seat belt in a specific position so the belt cannot be extended any further. To cancel the ALR mode, allow the seat belt to fully wind back into the retractor. P

Check the seat belt retractors using the following test(s) to determine if a retractor assembly is operating properly. Q

ELR Function Stationary Check

Grasp the shoulder belt and pull forward quickly. The retractor should lock and prevent the belt from extending further. R

ALR Function Stationary Check

1. Pull out entire length of seat belt from retractor until a click is heard. S
2. Retract the belt partially. A clicking noise should be heard as the belt retracts indicating that the retractor is in the Automatic Locking Retractor (ALR) mode. T
3. Grasp the seat belt and try to pull out the retractor. The belt must lock and not extend any further. If necessary replace the retractor assembly. U
4. Allow the entire length of the belt to retract to cancel the automatic locking mode. V

ELR Function Moving Check

WARNING:

REAR SEAT BELT

< ON-VEHICLE REPAIR >

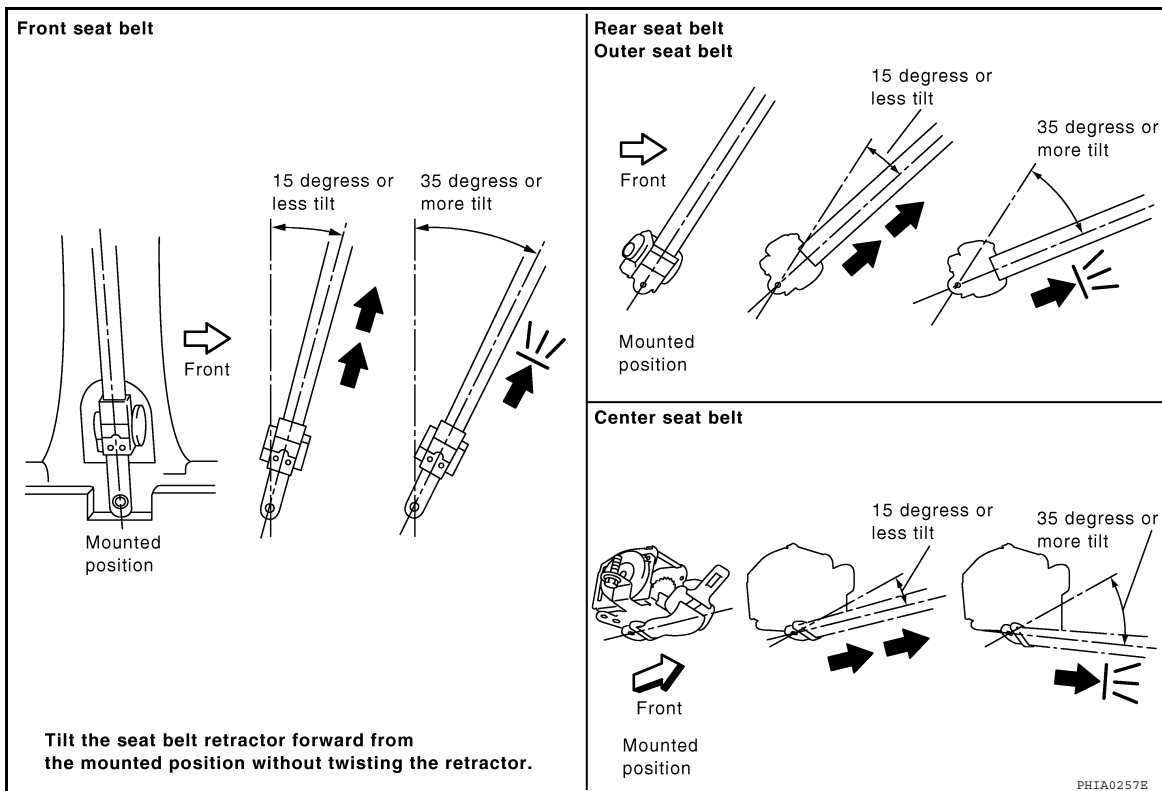
Perform the following test in a safe, open area clear of other vehicles and obstructions (for example, a large, empty parking lot). Road surface must be paved and dry. **DO NOT** perform the following test on wet or gravel roads or on public streets and highways. This could result in an accident and serious personal injury. The driver and passenger must be prepared to brace themselves in the event the retractor does not lock.

1. Fasten driver's seat belt. Buckle a passenger into the seat for the belt that is to be tested.
2. Proceed to the designated safe area.
3. Drive the vehicle at approximately 16 km/h (10 MPH). Notify any passengers of a pending sudden stop. The driver and passenger must be prepared to brace themselves in the event the retractor does not lock. Apply brakes firmly and make a very hard stop.

During stop, seat belts should lock and not be extended. If the seat belt retractor assembly does not lock, perform the retractor off-vehicle check.

SEAT BELT RETRACTOR OFF-VEHICLE CHECK

1. Remove the seat belt retractor assembly.
2. Slowly pull out belt while tilting the retractor assembly forward from the mounted position without twisting the retractor assembly as shown in the illustration.



15 degrees or less tilt : Belt can be pulled out.

35 degrees or more tilt : Belt locks and cannot be pulled out.

If the seat belt does not operate within specifications, replace the seat belt retractor assembly.

LATCH (LOWER ANCHORS AND TETHER FOR CHILDREN) SYSTEM

< ON-VEHICLE REPAIR >

LATCH (LOWER ANCHORS AND TETHER FOR CHILDREN) SYSTEM

Removal and Installation

INFOID:000000005272890

NOTE:

The LATCH (Lower Anchors and Tether for Children) system is not serviceable.

- A
- B
- C
- D
- E
- F
- G
- SB**
- I
- J
- K
- L
- M
- N
- O
- P

TOP TETHER STRAP CHILD RESTRAINT

< ON-VEHICLE REPAIR >

TOP TETHER STRAP CHILD RESTRAINT

Removal and Installation

INFOID:000000005272891

NOTE:

The Top Tether Strap Child Restraint system is not serviceable.