

SECTION **WCS**

WARNING CHIME SYSTEM

A
B
C
D
E
F
G
H
I
J
K
L
M
WCS
O
P

CONTENTS

<p>BASIC INSPECTION 3</p> <p>DIAGNOSIS AND REPAIR WORKFLOW 3</p> <p style="padding-left: 20px;">Work Flow3</p> <p>SYSTEM DESCRIPTION 4</p> <p>WARNING CHIME SYSTEM 4</p> <p>WARNING CHIME SYSTEM4</p> <p style="padding-left: 20px;">WARNING CHIME SYSTEM : System Diagram4</p> <p style="padding-left: 20px;">WARNING CHIME SYSTEM : System Description4</p> <p style="padding-left: 20px;">WARNING CHIME SYSTEM : Component Parts Location5</p> <p style="padding-left: 20px;">WARNING CHIME SYSTEM : Component Description5</p> <p>LIGHT REMINDER WARNING CHIME5</p> <p style="padding-left: 20px;">LIGHT REMINDER WARNING CHIME : System Diagram6</p> <p style="padding-left: 20px;">LIGHT REMINDER WARNING CHIME : System Description6</p> <p style="padding-left: 20px;">LIGHT REMINDER WARNING CHIME : Component Parts Location7</p> <p style="padding-left: 20px;">LIGHT REMINDER WARNING CHIME : Component Description7</p> <p>SEAT BELT WARNING CHIME7</p> <p style="padding-left: 20px;">SEAT BELT WARNING CHIME : System Diagram7</p> <p style="padding-left: 20px;">SEAT BELT WARNING CHIME : System Description8</p> <p style="padding-left: 20px;">SEAT BELT WARNING CHIME : Component Parts Location8</p> <p style="padding-left: 20px;">SEAT BELT WARNING CHIME : Component Description9</p> <p>KEY WARNING CHIME9</p> <p style="padding-left: 20px;">KEY WARNING CHIME : System Diagram9</p> <p style="padding-left: 20px;">KEY WARNING CHIME : System Description9</p>	<p style="padding-left: 20px;">KEY WARNING CHIME : Component Parts Location10</p> <p style="padding-left: 20px;">KEY WARNING CHIME : Component Description...10</p> <p>DIAGNOSIS SYSTEM (METER)11</p> <p style="padding-left: 20px;">Diagnosis Description11</p> <p style="padding-left: 20px;">CONSULT-III Function (METER/M&A)13</p> <p>DIAGNOSIS SYSTEM (BCM)15</p> <p>BUZZER15</p> <p style="padding-left: 20px;">BUZZER : CONSULT-III Function (BCM - BUZZER)15</p> <p>DTC/CIRCUIT DIAGNOSIS16</p> <p>POWER SUPPLY AND GROUND CIRCUIT16</p> <p>COMBINATION METER16</p> <p style="padding-left: 20px;">COMBINATION METER : Diagnosis Procedure16</p> <p>BCM (BODY CONTROL MODULE)16</p> <p style="padding-left: 20px;">BCM (BODY CONTROL MODULE) : Diagnosis Procedure17</p> <p>METER BUZZER CIRCUIT18</p> <p style="padding-left: 20px;">Description18</p> <p style="padding-left: 20px;">Component Function Check18</p> <p style="padding-left: 20px;">Diagnosis Procedure18</p> <p>SEAT BELT BUCKLE SWITCH SIGNAL CIRCUIT19</p> <p style="padding-left: 20px;">Description19</p> <p style="padding-left: 20px;">Component Function Check19</p> <p style="padding-left: 20px;">Diagnosis Procedure19</p> <p style="padding-left: 20px;">Component Inspection20</p> <p>KEY SWITCH SIGNAL CIRCUIT21</p> <p style="padding-left: 20px;">Description21</p> <p style="padding-left: 20px;">Component Function Check21</p> <p style="padding-left: 20px;">Diagnosis Procedure21</p> <p style="padding-left: 20px;">Component Inspection22</p>
---	---

ECU DIAGNOSIS INFORMATION	23	THE LIGHT REMINDER WARNING DOES NOT SOUND	43
COMBINATION METER	23	Description	43
Reference Value	23	Diagnosis Procedure	43
Fail Safe	24	THE SEAT BELT WARNING CONTINUES SOUNDING, OR DOES NOT SOUND	44
DTC Index	25	Description	44
BCM (BODY CONTROL MODULE)	26	Diagnosis Procedure	44
Reference Value	26	THE KEY WARNING DOES NOT SOUND	45
Terminal Layout	29	Description	45
Physical Values	29	Diagnosis Procedure	45
Fail Safe	34	PRECAUTION	46
DTC Inspection Priority Chart	34	PRECAUTIONS	46
DTC Index	35	Precaution for Supplemental Restraint System (SRS) "AIR BAG" and "SEAT BELT PRE-TENSIONER"	46
WIRING DIAGRAM	37		
WARNING CHIME SYSTEM	37		
Wiring Diagram	37		
SYMPTOM DIAGNOSIS	43		

DIAGNOSIS AND REPAIR WORKFLOW

< BASIC INSPECTION >

BASIC INSPECTION

DIAGNOSIS AND REPAIR WORKFLOW

Work Flow

INFOID:000000006250682

DETAILED FLOW

1.OBTAIN INFORMATION ABOUT SYMPTOM

Interview the customer to obtain as much information as possible about the conditions and environment under which the malfunction occurred.

>> GO TO 2

2.CHECK SYMPTOM

- Check the symptom based on the information obtained from the customer.
- Check to see if any other malfunctions are present.

>> GO TO 3

3.CHECK CONSULT-III SELF-DIAGNOSIS RESULTS

Connect CONSULT-III and perform "SELF-DIAGNOSIS". Refer to [MWI-27, "CONSULT-III Function \(METER/M&A\)"](#).

Are self-diagnosis results normal?

YES >> GO TO 4

NO >> Repair or replace the malfunctioning parts, GO TO 5

4.NARROW DOWN MALFUNCTIONING PARTS THROUGH SYMPTOM DIAGNOSIS

Perform symptom diagnosis and repair or replace the identified malfunctioning parts.

>> GO TO 5

5.FINAL CHECK

Check that the warning buzzer in the combination meter operates normally.

Does it operate normally?

YES >> Inspection End.

NO >> GO TO 1

A
B
C
D
E
F
G
H
I
J
K
L
M
O
P

WCS

WARNING CHIME SYSTEM

< SYSTEM DESCRIPTION >

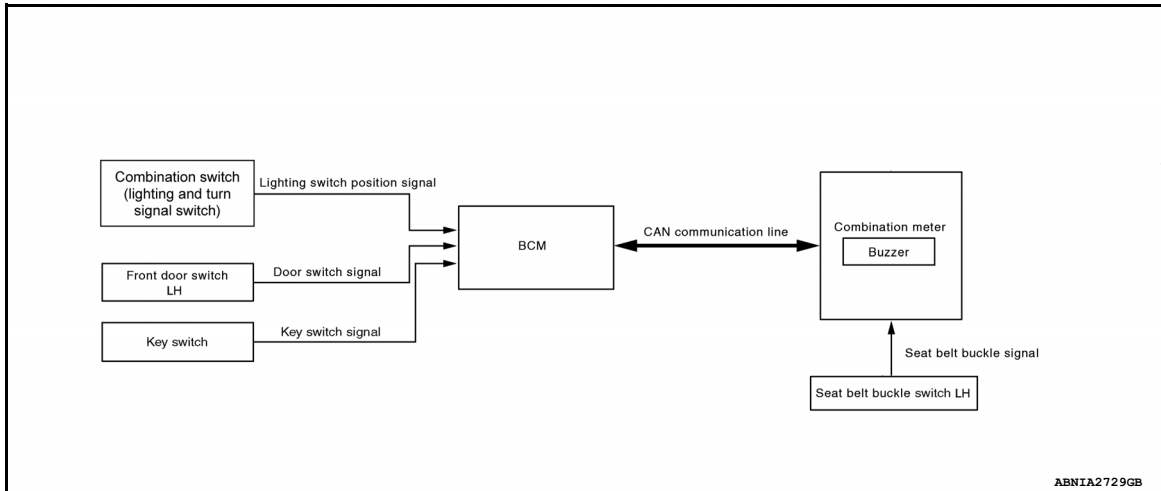
SYSTEM DESCRIPTION

WARNING CHIME SYSTEM

WARNING CHIME SYSTEM

WARNING CHIME SYSTEM : System Diagram

INFOID:0000000006250683



WARNING CHIME SYSTEM : System Description

INFOID:0000000006250684

COMBINATION METER

- The buzzer for warning chime system is installed in the combination meter.
- The buzzer sounds when the combination meter receives a buzzer output signal from each unit.

BCM

BCM receives signals from various units and transmits a buzzer output signal to the combination meter with CAN communication line if it judges that the warning buzzer should be activated.

BCM warning function list

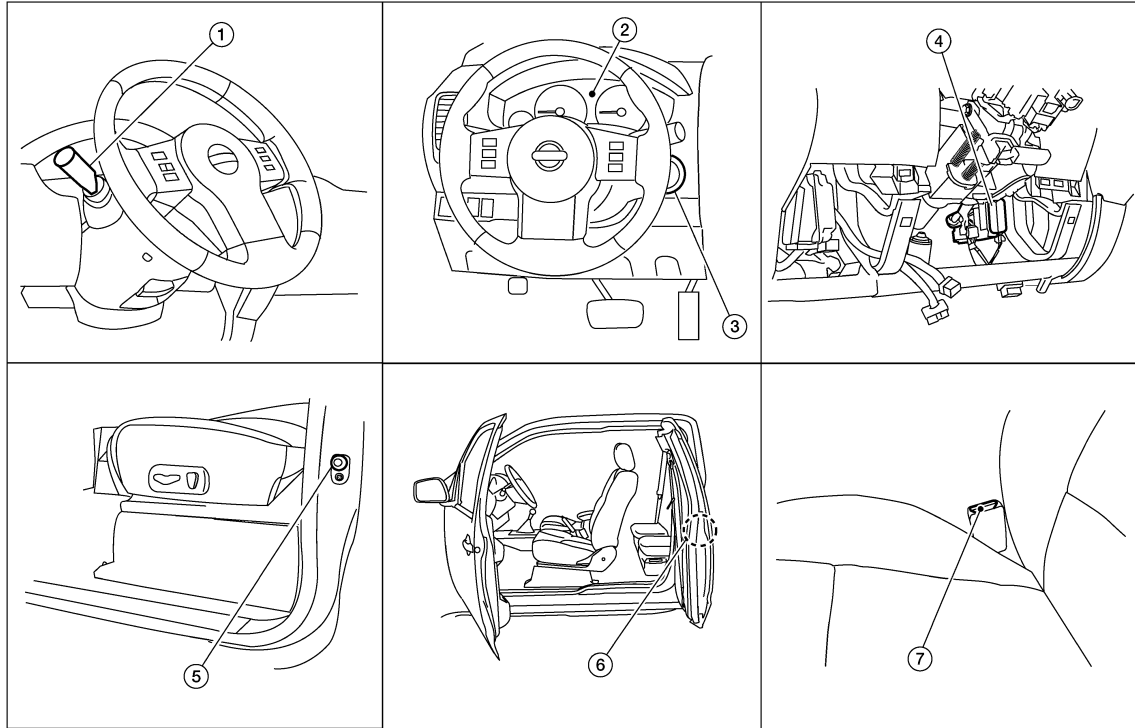
Warning functions	Signal name
Light reminder warning chime	<ul style="list-style-type: none"> • Lighting switch position signal • Door switch signal
Seat belt warning chime	Seat belt buckle switch signal
Key warning chime	<ul style="list-style-type: none"> • Key switch signal • Door switch signal

WARNING CHIME SYSTEM

< SYSTEM DESCRIPTION >

WARNING CHIME SYSTEM : Component Parts Location

INFOID:000000006250685



WKIA4988E

- | | | |
|--|---------------------------------------|---|
| 1. Combination switch (lighting and turn signal switch) M28 | 2. Combination meter M24 | 3. Key switch M27 |
| 4. BCM M18, M19, M20 (view with instrument lower panel LH removed) | 5. Front door switch LH B8 (crew cab) | 6. Front door switch LH D213 (king cab) |
| 7. Seat belt buckle switch LH B12 | | |

WARNING CHIME SYSTEM : Component Description

INFOID:000000006250686

Unit	Description
Combination meter	<ul style="list-style-type: none"> Receives the seat belt buckle switch signal from the seat belt buckle switch LH and transmits it to BCM with CAN communication line. Receives a buzzer output signal from BCM with CAN communication line.
BCM	Transmits signals provided by various units to the combination meter with CAN communication line.
Key switch	Transmits key switch signal to BCM.
Seat belt buckle switch LH	Transmits a seat belt buckle switch signal to the combination meter.
Combination switch (lighting and turn signal switch)	Transmits the lighting switch position signal to BCM.
Front door switch LH	Transmits the door switch signal to BCM.

LIGHT REMINDER WARNING CHIME

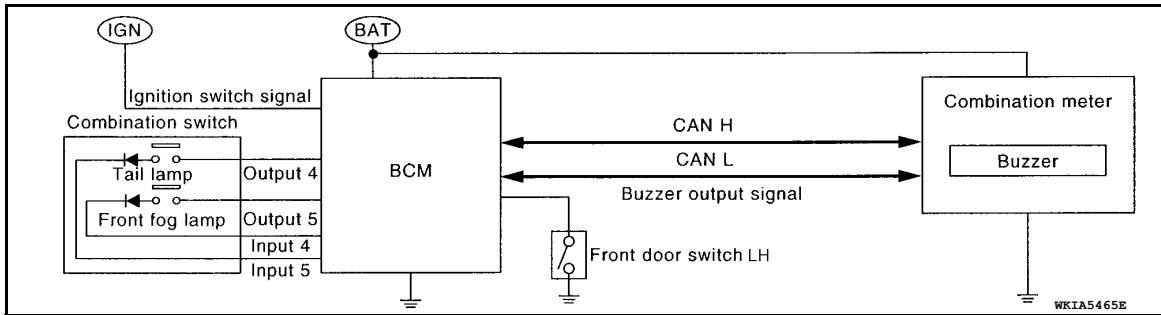
A
B
C
D
E
F
G
H
I
J
K
L
M
WCS
O
P

WARNING CHIME SYSTEM

< SYSTEM DESCRIPTION >

LIGHT REMINDER WARNING CHIME : System Diagram

INFOID:000000006250687



LIGHT REMINDER WARNING CHIME : System Description

INFOID:000000006250688

DESCRIPTION

With ignition switch in OFF or ACC position, driver door open, and lighting switch in 1ST or 2ND position, the light warning chime will sound.

- BCM detects ignition switch in OFF or ACC position, front door switch LH ON, and lighting switch in 1ST or 2ND position. And then transmits buzzer output signal (light reminder warning chime) to combination meter with CAN communication line.
- When combination meter receives buzzer output signal (light reminder warning chime), it sounds the buzzer.

WARNING OPERATION CONDITIONS

If all of the following conditions are fulfilled

- Lighting switch is at 1st or 2nd position
- Ignition switch is at OFF or ACC
- Front door switch LH is ON

WARNING CANCEL CONDITIONS

Warning is canceled if any of the following conditions is fulfilled.

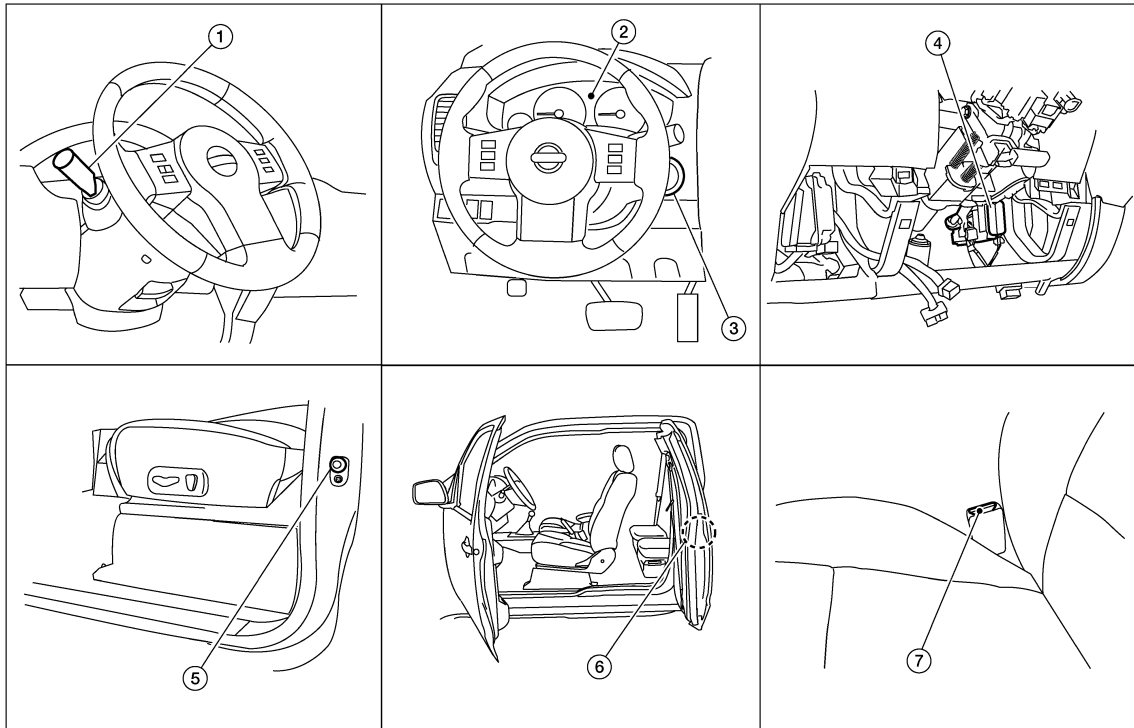
- Lighting switch OFF
- Ignition switch ON
- Front door switch LH is OFF

WARNING CHIME SYSTEM

< SYSTEM DESCRIPTION >

LIGHT REMINDER WARNING CHIME : Component Parts Location

INFOID:000000006250689



WKIA4988E

- | | | |
|--|---------------------------------------|---|
| 1. Combination switch (lighting and turn signal switch) M28 | 2. Combination meter M24 | 3. Key switch M27 |
| 4. BCM M18, M19, M20 (view with instrument lower panel LH removed) | 5. Front door switch LH B8 (crew cab) | 6. Front door switch LH D213 (king cab) |
| 7. Seat belt buckle switch LH B12 | | |

LIGHT REMINDER WARNING CHIME : Component Description

INFOID:000000006250690

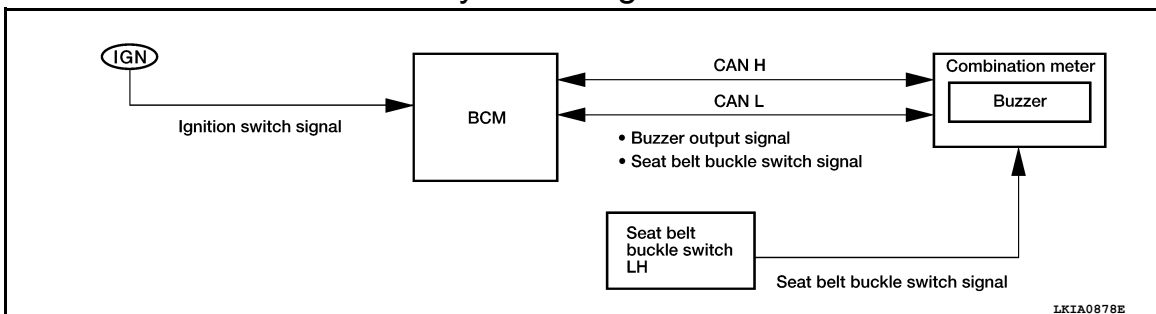
Unit	Description
Combination meter	Receives a buzzer output signal from BCM via CAN communication line and sounds the buzzer.
BCM	Judges the light warning conditions from the signals provided by various switches and transmits a buzzer output signal to the combination meter via CAN communication line if necessary.
Combination switch (lighting and turn signal switch)	Transmits the lighting switch position signal to BCM.
Front door switch LH	Transmits the door switch signal to BCM.

SEAT BELT WARNING CHIME

WCS

SEAT BELT WARNING CHIME : System Diagram

INFOID:000000006250691



LKIA0878E

WARNING CHIME SYSTEM

< SYSTEM DESCRIPTION >

SEAT BELT WARNING CHIME : System Description

INFOID:000000006250692

DESCRIPTION

With ignition switch turned ON and driver seat belt unfastened, seat belt warning chime will sound for approximately 6 seconds.

- BCM receives seat belt buckle switch signal from combination meter with CAN communication line.
- BCM detects ignition switch turned ON and seat belt buckle switch LH ON. And then transmits buzzer output signal (seat belt warning chime) to combination meter with CAN communication line.
- When combination meter receives buzzer output signal (seat belt warning chime), it sounds the buzzer.

WARNING OPERATION CONDITIONS

If all of the following conditions are fulfilled

- Ignition switch OFF→ON
- Seat belt buckle switch LH is ON (driver seat belt not fastened)

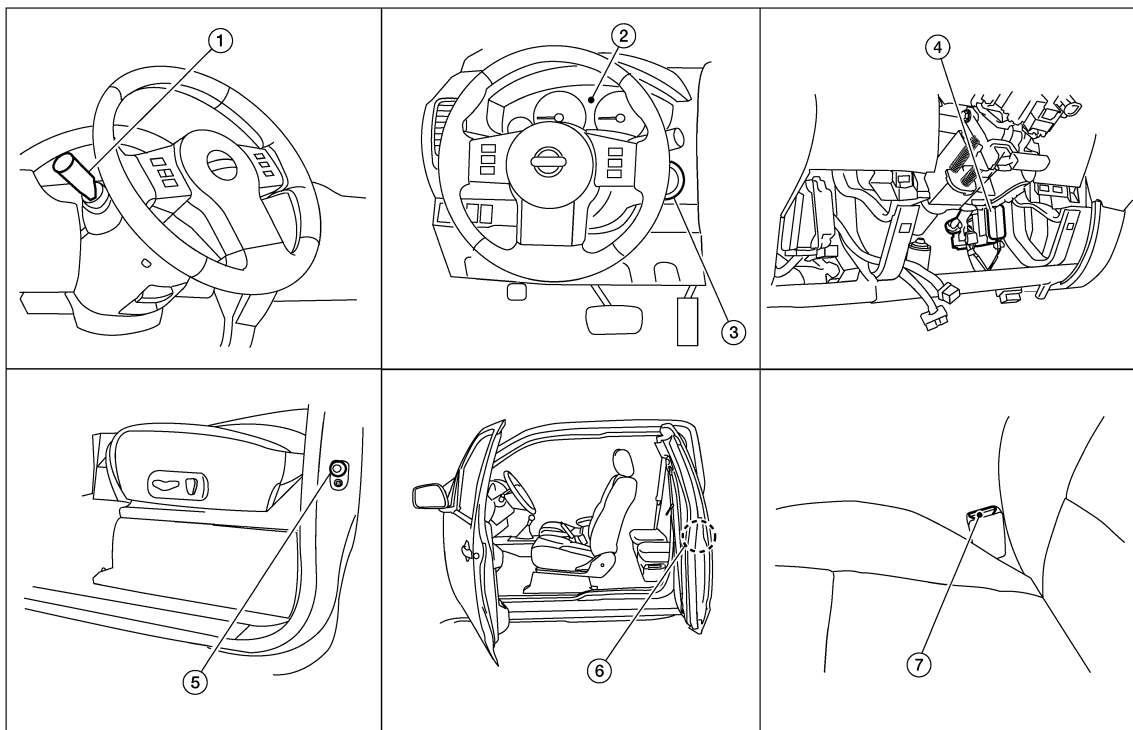
WARNING CANCEL CONDITIONS

Cancels the warning if any of the following conditions is fulfilled.

- Ignition switch OFF
- Seat belt buckle switch LH is OFF (driver seat belt fastened)

SEAT BELT WARNING CHIME : Component Parts Location

INFOID:000000006250693



WKIA4988E

- | | | |
|--|---------------------------------------|---|
| 1. Combination switch (lighting and turn signal switch) M28 | 2. Combination meter M24 | 3. Key switch M27 |
| 4. BCM M18, M19, M20 (view with instrument lower panel LH removed) | 5. Front door switch LH B8 (crew cab) | 6. Front door switch LH D213 (king cab) |
| 7. Seat belt buckle switch LH B12 | | |

WARNING CHIME SYSTEM

< SYSTEM DESCRIPTION >

SEAT BELT WARNING CHIME : Component Description

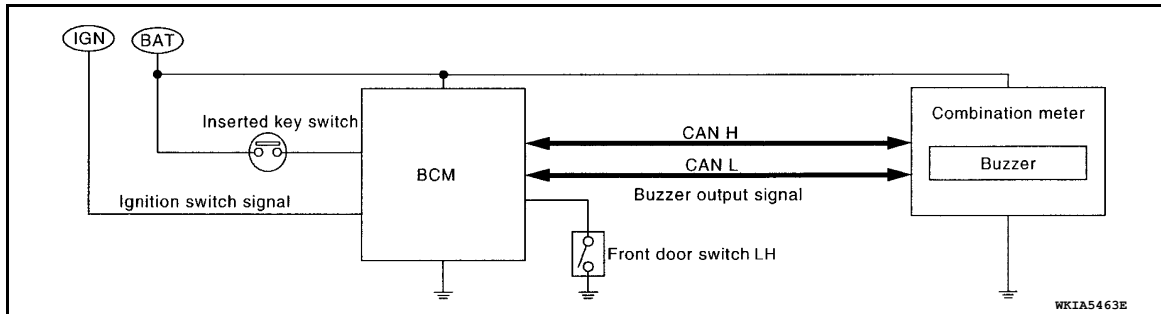
INFOID:000000006250694

Unit	Description
Combination meter	<ul style="list-style-type: none"> Receives the seat belt buckle switch signal from the seat belt buckle switch and transmits it to BCM via CAN communication line. Receives a buzzer output signal from BCM via CAN communication line and sounds the buzzer.
BCM	Judges the seat belt warning condition from the seat belt buckle switch signal received from the combination meter and transmits a buzzer output signal to the combination meter via CAN communication line if necessary.
Seat belt buckle switch LH	Transmits seat belt buckle switch signal to combination meter.

KEY WARNING CHIME

KEY WARNING CHIME : System Diagram

INFOID:000000006250695



KEY WARNING CHIME : System Description

INFOID:000000006250696

With the key inserted into the key switch, and the ignition switch in the OFF or ACC position, when driver's door is opened, the warning chime will sound.

- BCM detects key inserted into the ignition switch, and sends key warning signal to combination meter with CAN communication line.
- When combination meter receives key warning signal, it sounds warning chime.

A
B
C
D
E
F
G
H
I
J
K
L
M

WCS

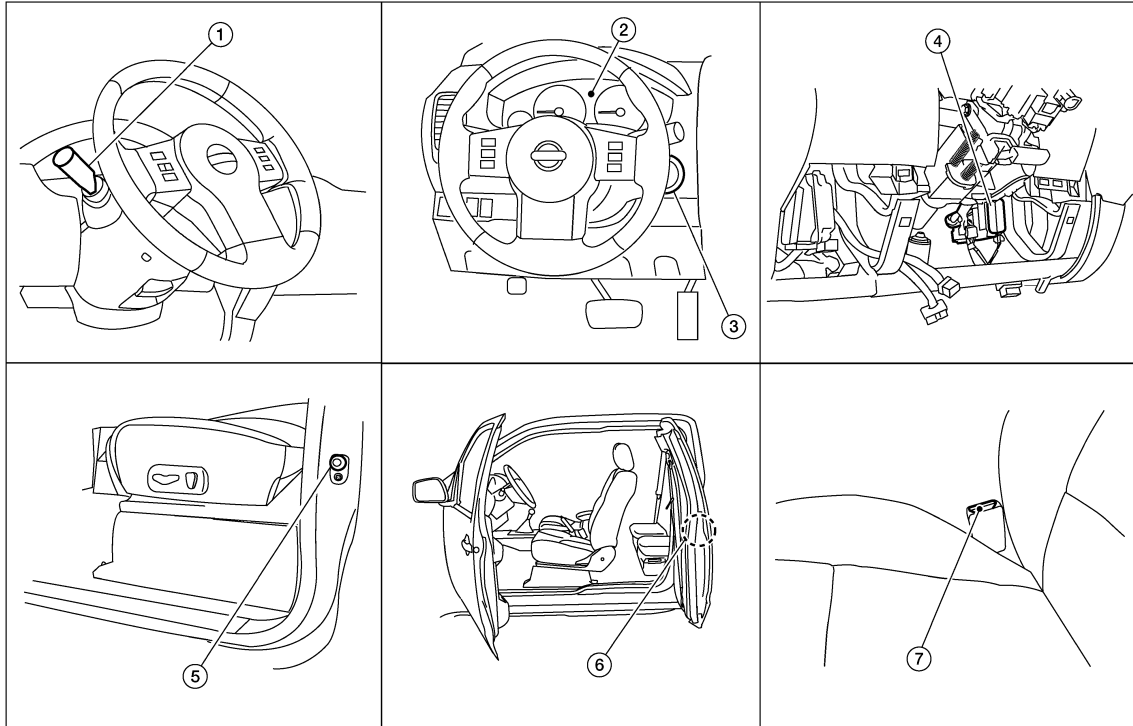
O
P

WARNING CHIME SYSTEM

< SYSTEM DESCRIPTION >

KEY WARNING CHIME : Component Parts Location

INFOID:000000006250697



WKIA4988E

- | | | |
|--|---------------------------------------|---|
| 1. Combination switch (lighting and turn signal switch) M28 | 2. Combination meter M24 | 3. Key switch M27 |
| 4. BCM M18, M19, M20 (view with instrument lower panel LH removed) | 5. Front door switch LH B8 (crew cab) | 6. Front door switch LH D213 (king cab) |
| 7. Seat belt buckle switch LH B12 | | |

KEY WARNING CHIME : Component Description

INFOID:000000006250698

Unit	Description
Combination meter	Receives key warning signal from BCM via CAN communication line and sounds the buzzer.
BCM	Judges the key warning condition from the door switch signal received from the front door switch LH, and the key switch signal received from the key switch. It then transmits a buzzer output signal to the combination meter via CAN communication line if necessary.
Front door switch LH	Transmits door switch signal to BCM.
Key switch	Transmits key switch signal to BCM.

DIAGNOSIS SYSTEM (METER)

< SYSTEM DESCRIPTION >

DIAGNOSIS SYSTEM (METER)

Diagnosis Description

INFOID:000000006716967

SELF-DIAGNOSIS MODE

The following items can be checked during Combination Meter Self-Diagnosis Mode.

- Gauge sweep and present gauge values.
- Illuminates all odometer/trip meters and A/T indicator segments.
- Illuminates all micro controlled lamps/LEDs regardless of switch position.
- Displays estimated present battery voltage.
- Displays seat belt buckle switch LH status.

OPERATION PROCEDURE

NOTE:

- Once entered, combination meter self-diagnosis mode will function with the ignition switch in ON or START. Combination meter self-diagnosis mode will exit upon turning the ignition switch to OFF or ACC.
- If the diagnosis function is activated with trip A displayed, the mileage on trip A is reset to 0000.0. (Trip B operates the same way.)

To initiate combination meter self-diagnosis mode, refer to the following procedure.

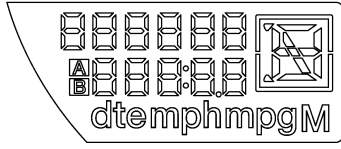
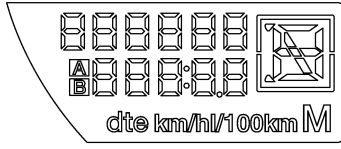
1. Turn the ignition switch ON, while pressing the odometer/trip meter switch for 5 - 8 seconds. When the diagnosis function is activated, the odometer/trip meter will display tEst.

NOTE:

Check combination meter power supply and ground circuit when self-diagnosis mode of combination meter does not start. Refer to [MWI-31, "COMBINATION METER : Diagnosis Procedure"](#). Replace combination meter if normal. Refer to [MWI-90, "Removal and Installation"](#).

COMBINATION METER SELF-DIAGNOSIS MODE FUNCTIONS

To interpret combination meter self-diagnosis mode functions, refer to the following table.

Event	Odometer Display	Description of Test/Data	Notes:
Odometer/trip meter A/B switch held from 5 to 8 seconds (or until released)	tEst		Initiating self-diagnosis mode
Switch released	GAGE	Performs sweep of all gauges, then displays present gauge values.	Gauges sweep within 10 seconds
Switch pressed	(All segments illuminated)	Lights all LCD segments. Compare with picture.	USA  Except USA 
Switch pressed	bulb	Illuminates all micro-controlled lamps/LEDs.	Part may not be configured for all lamps (functions) that turn on during test. This is normal.
Switch pressed	r XXXX, FAIL	Return to normal operation of all lamps/LEDs and displays "r XXXX".	If a malfunction exists, "FAIL" will flash.

DIAGNOSIS SYSTEM (METER)

< SYSTEM DESCRIPTION >

Event	Odometer Display	Description of Test/Data	Notes:
Switch pressed	nrXXXX	Displays Hex ROM rev as stored in NVM.	
Switch pressed	EE XX, FAIL	Displays "EE XX".	If a malfunction exists, "FAIL" will flash.
Switch pressed	dtXXXX	Hex coding of final manufacturing test date.	
Switch pressed (3 times)	Sc1 XX through Epr XX	Displays 8 bit software configuration value in Hex format	
Switch pressed	1nF XX	Displays 8-bit market info value in Hex format.	\$31 = USA \$2A = Canada \$23 = EUR-R \$1C = EUR-L \$38 = Japan \$15 = Australia \$0E = Middle East \$FF = Other
Switch pressed (3 times)	cYL XX through tF	N/A	
Switch pressed	ot1 XX	Displays oil pressure tell-tale "" in Hex format.	
Switch pressed	ot0 XX	Displays oil pressure tell-tale "" in Hex format.	
Switch pressed	XXXXXX	"Corrected" speed value in hundredths of MPH. Gauge indication may be slightly higher. This is normal.	Will display "----" if message is not received. Will display "99999" if data received is invalid.
Switch pressed	XXXXXX	"Corrected" speed value in hundredths of KPH. Gauge indication may be slightly different. This is normal.	Will display "----" if message is not received. Will display "99999" if data received is invalid.
Switch pressed	t XXXX	Tachometer value in RPM. Gauge indication may be higher at higher RPM. This is normal.	Will display "----" if message is not received.
Switch pressed	F1XXXX	Present fuel level A/D input. This input represents fuel sender input.	000-009 = Short circuit 010-254 = Normal range 255 = Open circuit
Switch pressed	XXXXC	Last temperature gauge input value in degrees C. Temperature gauge indicates present temperature per indication standard.	Will display "---"C if message is not received. Will display "999" if data received is invalid. High = 130 deg C Normal = 70 - 105 deg C Low = less than 50 deg C
Switch pressed	BAtXX.X	Estimated present battery voltage.	
Switch pressed	rES -X	Seat belt buckle switch LH status.	1= Buckled 0 = Unbuckled
Switch pressed (30 times)	PA -XX through PA1-XX	N/A	
Switch pressed	GAGE		Return to beginning of self-diagnosis cycle.

DIAGNOSIS SYSTEM (METER)

< SYSTEM DESCRIPTION >

CONSULT-III Function (METER/M&A)

INFOID:000000006716968

CONSULT-III can display each diagnostic item using the diagnostic test modes shown following.

METER/M&A diagnosis mode	Description
SELF DIAGNOSTIC RESULT	Displays combination meter self-diagnosis results.
DATA MONITOR	Displays combination meter input/output data in real time.
CAN DIAG SUPPORT MNTR	The result of transmit/receive diagnosis of CAN communication can be read.

SELF-DIAG RESULTS

Display Item List

Refer to [MWI-40, "DTC Index"](#).

DATA MONITOR

Display Item List

X: Applicable

Display item [Unit]	MAIN SIGNALS	SELECTION FROM MENU	Description
SPEED METER [km/h] or [mph]	X	X	Displays the value of vehicle speed signal.
SPEED OUTPUT [km/h] or [mph]	X	X	Displays the value of vehicle speed signal, which is transmitted to each unit with CAN communication.
TACHO METER [rpm]	X	X	Displays the value of engine speed signal, which is input from ECM.
W TEMP METER [°C] or [°F]	X	X	Displays the value of engine coolant temperature signal, which is input from ECM.
FUEL METER [lit.]	X	X	Displays the value, which processes a resistance signal from fuel gauge.
DISTANCE [km] or [mile]	X	X	Displays the value, which is calculated by vehicle speed signal, fuel gauge and fuel consumption from ECM.
FUEL W/L [ON/OFF]	X	X	Displays [ON/OFF] condition of low-fuel warning lamp.
C-ENG W/L [ON/OFF]		X	Displays [ON/OFF] condition of malfunction indicator lamp.
AIR PRES W/L [ON/OFF]		X	Displays [ON/OFF] condition of tire pressure warning lamp.
SEAT BELT W/L [ON/OFF]		X	Indicates [ON/OFF] condition of seat belt warning lamp.
BUZZER [ON/OFF]	X	X	Displays [ON/OFF] condition of buzzer.
DOOR W/L [ON/OFF]		X	Displays [ON/OFF] condition of door warning lamp.
HI-BEAM IND [ON/OFF]		X	Displays [ON/OFF] condition of high beam indicator.
TURN IND [ON/OFF]		X	Displays [ON/OFF] condition of turn indicator.
OIL W/L [ON/OFF]		X	Displays [ON/OFF] condition of oil pressure warning lamp.
VDC/TCS IND [ON/OFF]		X	Displays [ON/OFF] condition of VDC OFF indicator lamp.
ABS W/L [ON/OFF]		X	Displays [ON/OFF] condition of ABS warning lamp.
SLIP IND [ON/OFF]		X	Displays [ON/OFF] condition of SLIP indicator lamp.
BRAKE W/L [ON/OFF]		X	Displays [ON/OFF] condition of brake warning lamp.*
O/D OFF SW [ON/OFF]		X	Indicates [ON/OFF] condition of O/D OFF switch.
BRAKE SW [ON/OFF]		X	Indicates [ON/OFF] condition of parking brake switch.
P RANGE IND [ON/OFF]	X	X	Indicates [ON/OFF] condition of A/T shift P range indicator.
R RANGE IND [ON/OFF]	X	X	Indicates [ON/OFF] condition of A/T shift R range indicator.
N RANGE IND [ON/OFF]	X	X	Indicates [ON/OFF] condition of A/T shift N range indicator.
D RANGE IND [ON/OFF]	X	X	Indicates [ON/OFF] condition of A/T shift D range indicator.
4 RANGE IND [ON/OFF]	X	X	Indicates [ON/OFF] condition of A/T shift 4 range indicator.
3 RANGE IND [ON/OFF]	X	X	Indicates [ON/OFF] condition of A/T shift 3 range indicator.

DIAGNOSIS SYSTEM (METER)

< SYSTEM DESCRIPTION >

Display item [Unit]	MAIN SIGNALS	SELECTION FROM MENU	Description
2 RANGE IND [ON/OFF]	X	X	Indicates [ON/OFF] condition of A/T shift 2 range indicator.
1 RANGE IND [ON/OFF]	X	X	Indicates [ON/OFF] condition of A/T shift 1 range indicator.
O/D OFF W/L [ON/OFF]		X	Displays [ON/OFF] condition of AT CHECK (with manual mode) or O/D OFF (without manual mode) warning lamp.
CRUISE IND [ON/OFF]		X	Displays [ON/OFF] condition of CRUISE indicator.
SET IND [ON/OFF]		X	Displays [ON/OFF] condition of SET indicator.
4WD LOCK SW [ON/OFF]		X	Indicates [ON/OFF] condition of 4WD lock switch.
4WD LOCK IND [ON/OFF]		X	Indicates [ON/OFF] condition of 4WD lock indicator.
FUEL CAP W/L [ON/OFF]		X	Displays [ON/OFF] condition of loose fuel cap indicator.
TPMS PRESS L [ON/OFF]		X	Displays [ON/OFF] condition of check tire pressure indicator.

NOTE:

Some items are not available due to vehicle specification.

*: The monitor will indicate "OFF" even though the brake warning lamp is on if either of the following conditions exist.

- The parking brake is engaged
- The brake fluid level is low

DIAGNOSIS SYSTEM (BCM)

< SYSTEM DESCRIPTION >

DIAGNOSIS SYSTEM (BCM)

BUZZER

BUZZER : CONSULT-III Function (BCM - BUZZER)

INFOID:000000006716975

DATA MONITOR

Monitor Item [Unit]	Description
DOOR SW-DR [On/Off]	Indicates condition of front door switch LH.
IGN ON SW [On/Off]	Indicates condition of ignition switch ON position.
KEY ON SW [On/Off]	Indicates condition of key switch.
LIGHT SW 1ST [On/Off]	Indicates condition of combination switch.
BUCKLE SW [On/Off]	Indicates condition of seat belt buckle switch.

ACTIVE TEST

Test Item	Description
SEAT BELT WARN TEST	This test is able to check seat belt warning operation [Off/On].
LIGHT WARN ALM	This test is able to check light reminder warning operation [Off/On].
IGN KEY WARN ALM	This test is able to check key warning chime operation [Off/On].

A
B
C
D
E
F
G
H
I
J
K
L
M
O
P

WCS

POWER SUPPLY AND GROUND CIRCUIT

< DTC/CIRCUIT DIAGNOSIS >

DTC/CIRCUIT DIAGNOSIS

POWER SUPPLY AND GROUND CIRCUIT COMBINATION METER

COMBINATION METER : Diagnosis Procedure

INFOID:000000006716976

Regarding Wiring Diagram information, refer to [MWI-65, "Wiring Diagram"](#).

1. CHECK FUSES

Check for blown combination meter fuses.

Unit	Power source	Fuse No.
Combination meter	Battery	19
	Ignition switch ON or START	14

Is the inspection result normal?

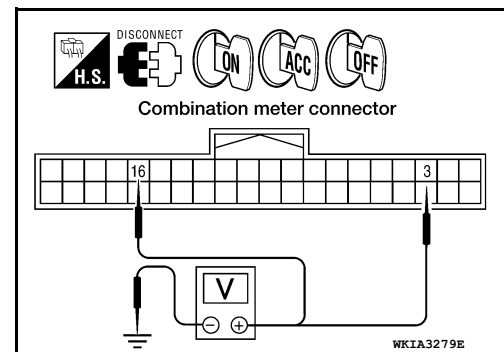
YES >> GO TO 2

NO >> If fuse is blown, be sure to eliminate cause of malfunction before installing new fuse.

2. POWER SUPPLY CIRCUIT CHECK

1. Disconnect combination meter connector M24.
2. Check voltage between combination meter harness connector M24 terminals 3, 16 and ground.

Terminals		(-)	Ignition switch position		
(+)			OFF	ACC	ON
Connector	Terminal				
M24	3	Ground	Battery voltage	Battery voltage	Battery voltage
	16		0V	0V	Battery voltage



Is the inspection result normal?

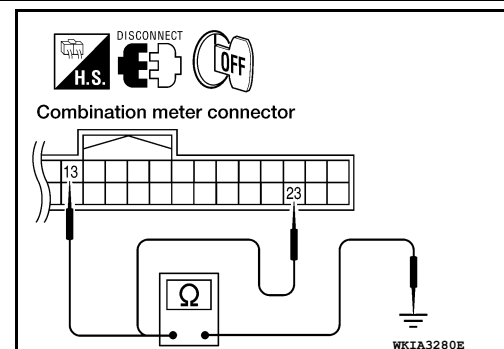
YES >> GO TO 3

NO >> Check harness for open between combination meter and fuse.

3. GROUND CIRCUIT CHECK

1. Turn ignition switch OFF.
2. Check continuity between combination meter harness connector M24 terminals 13, 23 and ground.

Terminals		(-)	Continuity
(+)			
Connector	Terminal		
M24	13	Ground	Yes
	23		



Is the inspection result normal?

YES >> Inspection End.

NO >> Check ground harness.

BCM (BODY CONTROL MODULE)

POWER SUPPLY AND GROUND CIRCUIT

< DTC/CIRCUIT DIAGNOSIS >

BCM (BODY CONTROL MODULE) : Diagnosis Procedure

INFOID:000000006716977

Regarding Wiring Diagram information, refer to [BCS-45. "Wiring Diagram"](#).

1. CHECK FUSES AND FUSIBLE LINK

Check that the following fuses and fusible link are not blown.

Terminal No.	Signal name	Fuses and fusible link No.
57	Battery power supply	21 (10A)
70		G (50A)
11	Ignition ACC or ON	4 (10A)
38	Ignition ON or START	1 (10A)

Is the fuse blown?

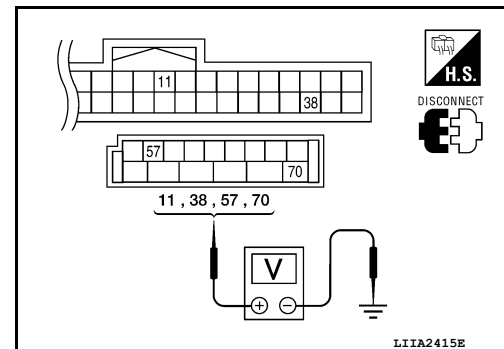
YES >> Replace the blown fuse or fusible link after repairing the affected circuit.

NO >> GO TO 2

2. CHECK POWER SUPPLY CIRCUIT

1. Turn ignition switch OFF.
2. Disconnect BCM.
3. Check voltage between BCM harness connector and ground.

Connector	Terminals		Power source	Condition	Voltage (V) (Approx.)
	(+)	(-)			
M18	11	Ground	ACC power supply	Ignition switch ACC or ON	Battery voltage
	38	Ground	Ignition power supply	Ignition switch ON or START	Battery voltage
M20	57	Ground	Battery power supply	Ignition switch OFF	Battery voltage
	70	Ground	Battery power supply	Ignition switch OFF	Battery voltage



Is the measurement value normal?

YES >> GO TO 3

NO >> Repair or replace harness.

3. CHECK GROUND CIRCUIT

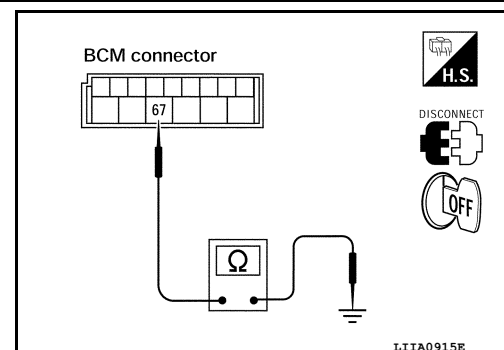
Check continuity between BCM harness connector and ground.

BCM		Ground	Continuity
Connector	Terminal		
M20	67		Yes

Does continuity exist?

YES >> Inspection End.

NO >> Repair or replace harness.



A
B
C
D
E
F
G
H
I
J
K
L
M

WCS

O
P

METER BUZZER CIRCUIT

< DTC/CIRCUIT DIAGNOSIS >

METER BUZZER CIRCUIT

Description

INFOID:000000006250704

- The buzzer for warning chime system is installed in the combination meter.
- The combination meter sounds the alarm buzzer based on the signals transmitted from various units.

Component Function Check

INFOID:000000006250705

1. CHECK OPERATION OF METER BUZZER

1. Select "BUZZER" of "BCM" on CONSULT-III.
2. Perform "LIGHT WARN ALM" of "ACTIVE TEST".

Does meter buzzer activate?

- YES >> Inspection End.
NO >> Replace combination meter. Refer to [MWI-90. "Removal and Installation"](#).

Diagnosis Procedure

INFOID:000000006250706

1. CHECK POWER SUPPLY OF COMBINATION METER

Check power supply of combination meter. Refer to [MWI-31. "COMBINATION METER : Diagnosis Procedure"](#).

Is the inspection result normal?

- YES >> Inspection End.
NO >> Repair or replace harness.

SEAT BELT BUCKLE SWITCH SIGNAL CIRCUIT

< DTC/CIRCUIT DIAGNOSIS >

SEAT BELT BUCKLE SWITCH SIGNAL CIRCUIT

Description

INFOID:000000006250707

Transmits a seat belt buckle switch signal to the combination meter.

Component Function Check

INFOID:000000006250708

1. CHECK COMBINATION METER INPUT SIGNAL

Select "DATA MONITOR" for "METER/M&A" and check the "SEAT BELT W/L" monitor value.

SEAT BELT W/L

When seat belt is fastened : OFF

When seat belt is unfastened : ON

Is the inspection result normal?

YES >> Inspection End.

NO >> Refer to [WCS-19, "Diagnosis Procedure"](#).

Diagnosis Procedure

INFOID:000000006250709

Regarding Wiring Diagram information, refer to [WCS-37, "Wiring Diagram"](#).

1. CHECK COMBINATION METER INPUT SIGNAL

1. Turn ignition switch ON.
2. Check voltage between combination meter harness connector M24 terminal 24 and ground.

24 - Ground

When driver seat belt is fastened : Approx. 12V

When driver seat belt is unfastened : Approx. 0V

Is the inspection result normal?

YES >> Replace combination meter. Refer to [MWI-90, "Removal and Installation"](#).

NO >> GO TO 2

2. CHECK SEAT BELT BUCKLE SWITCH CIRCUIT

1. Turn ignition switch OFF.
2. Disconnect combination meter connector and seat belt buckle switch LH connector.
3. Check continuity between combination meter harness connector M24 terminal 24 and seat belt buckle switch LH harness connector B12 terminal 1.

24 - 1 : Continuity should exist.

4. Check continuity between combination meter harness connector M24 terminal 24 and ground.

24 - Ground : Continuity should not exist.

Is the inspection result normal?

YES >> GO TO 3

NO >> Repair or replace harness.

3. CHECK SEAT BELT BUCKLE SWITCH GROUND CIRCUIT

Check continuity between seat belt buckle switch LH harness connector B12 terminal 2 and ground.

2 - Ground : Continuity should exist.

Is the inspection result normal?

A
B
C
D
E
F
G
H
I
J
K
L
M
O
P

WCS

SEAT BELT BUCKLE SWITCH SIGNAL CIRCUIT

< DTC/CIRCUIT DIAGNOSIS >

- YES >> Inspection End.
NO >> Repair or replace harness.

Component Inspection

INFOID:000000006250710

1. CHECK SEAT BELT BUCKLE SWITCH

1. Turn ignition switch OFF.
2. Disconnect the seat belt buckle switch LH connector.
3. Check continuity between the seat belt buckle switch LH terminals 1 and 2.

1- 2

When seat belt is fastened : Continuity should not exist.

When seat belt is unfastened : Continuity should exist.

Is the inspection result normal?

- YES >> Inspection End.
NO >> Replace the seat belt buckle switch LH.

KEY SWITCH SIGNAL CIRCUIT

< DTC/CIRCUIT DIAGNOSIS >

KEY SWITCH SIGNAL CIRCUIT

Description

INFOID:000000006250711

Transmits a key switch signal to the BCM.

Component Function Check

INFOID:000000006250712

1. CHECK BCM INPUT SIGNAL

Select "DATA MONITOR" for "BCM" and check the "KEY ON SW" monitor value.

KEY ON SW

When key is inserted into key cylinder : ON

When key is removed from key cylinder : OFF

Is the inspection result normal?

YES >> Inspection End.

NO >> Refer to [WCS-21, "Diagnosis Procedure"](#).

Diagnosis Procedure

INFOID:000000006250713

Regarding Wiring Diagram information, refer to [WCS-37, "Wiring Diagram"](#).

1. CHECK FUSE

Check if the key switch 10A fuse [No. 25, located in the fuse and fusible link box] is blown.

Is the fuse blown?

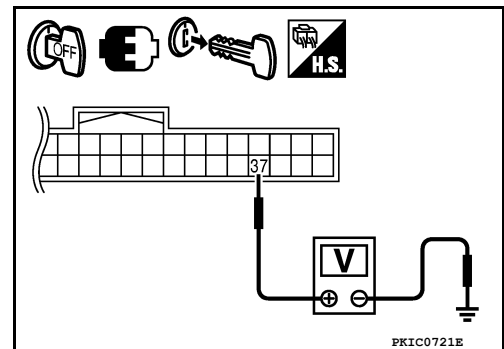
YES >> Be sure to repair the cause of malfunction before installing new fuse.

NO >> GO TO 2

2. CHECK BCM INPUT SIGNAL

Check voltage between BCM harness connector M18 terminal 37 and ground.

Terminals		Condition	Voltage (Approx.)
(+)	(-)		
BCM connector	Terminal		
M18	37	Key is inserted	Battery voltage
		Key is removed	0



Is the inspection result normal?

YES >> Inspection End.

NO >> GO TO 3

3. CHECK KEY SWITCH CIRCUIT

A
B
C
D
E
F
G
H
I
J
K
L
M
N
O
P

WCS

KEY SWITCH SIGNAL CIRCUIT

< DTC/CIRCUIT DIAGNOSIS >

1. Disconnect BCM connector M18 and key switch connector.
2. Check continuity between BCM harness connector M18 (A) terminal 37 and key switch harness connector M27 (B) terminal 1.

BCM		Key switch		Continuity
Connector	Terminal	Connector	Terminal	
M18 (A)	37	M27 (B)	1	Yes

3. Check continuity between BCM harness connector M18 (A) terminal 37 and ground.

BCM		Ground	Continuity
Connector	Terminal		
M18 (A)	37		No

Is the inspection result normal?

- YES >> GO TO 4
 NO >> Repair or replace harness.

4. CHECK KEY SWITCH POWER SUPPLY CIRCUIT

Check voltage between key switch harness connector M27 terminal 2 and ground.

Terminals			Voltage (Approx.)
(+)		(-)	
Key switch	Terminal		
M27	2	Ground	Battery voltage

Is the inspection result normal?

- YES >> Replace key switch.
 NO >> Repair or replace harness.

Component Inspection

1. CHECK KEY SWITCH

1. Turn ignition switch OFF.
2. Disconnect key switch.
3. Check continuity between key switch terminals 1 and 2.

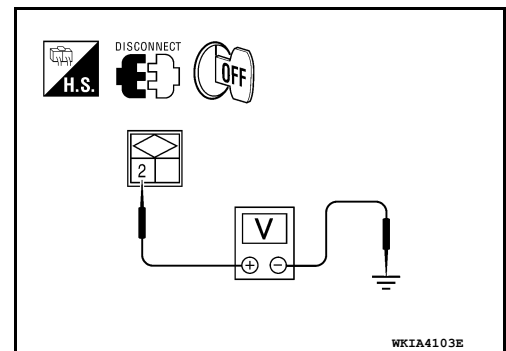
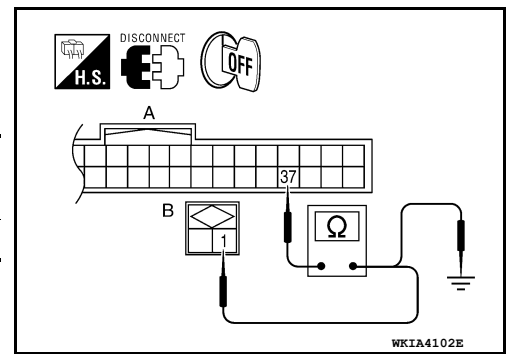
1 – 2

When key is inserted into key cylinder : Continuity should exist.

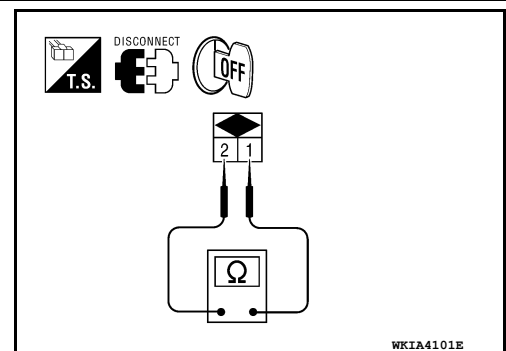
When key is removed from key cylinder : Continuity should not exist.

Is the inspection result normal?

- YES >> Inspection End.
 NO >> Replace key switch.



INFOID:000000006250714



COMBINATION METER

< ECU DIAGNOSIS INFORMATION >

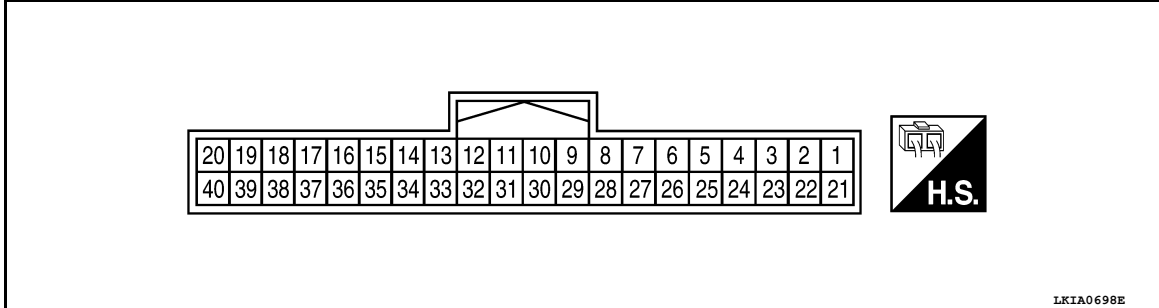
ECU DIAGNOSIS INFORMATION

COMBINATION METER

Reference Value

INFOID:000000006717009

TERMINAL LAYOUT



PHYSICAL VALUES

Terminal	Wire color	Item	Condition		Reference value (V) (Approx.)
			Ignition switch	Operation or condition	
2	P	Generator	ON	Generator voltage low	0
				Generator voltage normal	Battery voltage
3	R/Y	Battery power supply	—	—	Battery voltage
4	B/Y	Fuel level sensor ground	ON	—	0
5	W	Vehicle speed signal output (2-pulse)	ON	Speedometer operated [When vehicle speed is approx. 20 km/h (12 MPH)]	240 Hz
6	SB	Vehicle speed signal output (8-pulse)	ON	Speedometer operated [When vehicle speed is approx. 40 km/h (25 MPH)]	<p>NOTE: Maximum voltage may be 12V due to specifications (connected units).</p>
9	BR	Fuel level sensor signal	—	—	Refer to MWI-12, "FUEL GAUGE : System Description" .
11	P	CAN-L	—	—	—
12	L	CAN-H	—	—	—
13	GR	Ground	—	—	0
16	W/G	Ignition switch ON or START	ON	—	Battery voltage
22	BR	Illumination control switch	—	—	Refer to INL-71, "System Description" .
23	B	Ground	—	—	0
24	V	Seat belt buckle switch LH	ON	Unfastened (ON)	0
				Fastened (OFF)	Battery voltage
25	SB	DIFF LOCK indicator input	ON	DIFF LOCK indicator ON	0
				DIFF LOCK indicator OFF	Battery voltage

COMBINATION METER

< ECU DIAGNOSIS INFORMATION >

Terminal	Wire color	Item	Condition		Reference value (V) (Approx.)
			Ignition switch	Operation or condition	
31	G	Parking brake switch	ON	Parking brake applied	0
				Parking brake released	Battery voltage
32	SB	Brake fluid level switch	ON	Brake fluid level low	0
				Brake fluid level normal	Battery voltage
33	LG	Stop lamp switch	—	Brake pedal depressed	Battery voltage
				Brake pedal released	0
34	L	Washer fluid level switch	ON	Washer fluid level low	0
				Washer fluid level normal	Battery voltage
37	SB	Air bag warning lamp input	ON	Air bag warning lamp ON	4
				Air bag warning lamp OFF	0
39	G	Security indicator input	OFF	Security indicator ON	0
				Security indicator OFF	Battery voltage
40	LG	Seat belt buckle switch RH	ON	Unfastened (ON)	0
				Fastened (OFF)	Battery voltage

Fail Safe

INFOID:000000006717011

The combination meter performs a fail-safe operation for the functions listed below when communication is lost.

Function		Specifications
Speedometer		Zero indication.
Tachometer		
Fuel gauge		
Engine coolant temperature gauge		
Engine oil pressure gauge (with VQ40DE)		
Voltage gauge (with VQ40DE)		
Illumination control	Meter illumination	Change to nighttime mode when communication is lost.
Segment LCD	Odometer	Freeze current indication.
	A/T position	Display turns off.
Buzzer		Buzzer turns off.

COMBINATION METER

< ECU DIAGNOSIS INFORMATION >

	Function	Specifications	
Warning lamp/indicator lamp	ABS warning lamp	Lamp turns on when communication is lost.	A
	Brake warning lamp		B
	VDC OFF indicator lamp		
	Malfunction indicator lamp		
	SLIP indicator lamp		
	AT oil temp warning lamp	Lamp turns off when communication is lost.	C
	Low washer fluid warning lamp		
	Hill descent control indicator lamp		D
	Door open warning lamp		
	CRUISE indicator lamp		
	SET indicator lamp		E
	O/D OFF indicator lamp		
	Oil pressure warning lamp		F
	Air bag warning lamp		
	High beam indicator		
	Turn signal indicator lamp	G	
	Driver and passenger seat belt warning lamp	Lamp turns off when disconnected.	H
	Charge warning lamp		
	Security indicator lamp		
	4WD indicator lamp		I
ATP indicator lamp			
Differential lock indicator lamp		J	
Low tire pressure warning lamp	Lamp will flash every second for 1 minute and then stay on continuously thereafter.		

DTC Index

INFOID:000000006717012

CONSULT-III display	Malfunction	Reference page
CAN COMM CIRC [U1000]	Malfunction is detected in CAN communication. CAUTION: Even when there is no malfunction on CAN communication system, malfunction may be misinterpreted when battery has low voltage (when maintaining 7 - 8 V for about 2 seconds) or 10A fuse [No. 19, located in the fuse block (J/B)] is disconnected.	MWI-29
VEHICLE SPEED CIRC [B2205]	Malfunction is detected when an erroneous speed signal is input. CAUTION: Even when there is no malfunction on speed signal system, malfunction may be misinterpreted when battery has low voltage (when maintaining 7 - 8 V for about 2 seconds).	MWI-30

NOTE:

“TIME” indicates the following.

- 0: Indicates that a malfunction is detected at present.
- 1-63: Indicates that a malfunction was detected in the past. (Displays number of ignition switch OFF → ON cycles after malfunction is detected. Self-diagnosis result is erased when “63” is exceeded.)

BCM (BODY CONTROL MODULE)

< ECU DIAGNOSIS INFORMATION >

BCM (BODY CONTROL MODULE)

Reference Value

INFOID:000000006717013

NOTE:

The Signal Tech II Tool (J-50190) can be used to perform the following functions. Refer to the Signal Tech II User Guide for additional information.

- Activate and display TPMS transmitter IDs
- Display tire pressure reported by the TPMS transmitter
- Read TPMS DTCs
- Register TPMS transmitter IDs
- Test remote keyless entry keyfob relative signal strength

VALUES ON THE DIAGNOSIS TOOL

Monitor Item	Condition	Value/Status
ACC ON SW	Ignition switch OFF or ON	Off
	Ignition switch ACC	On
AIR COND SW	A/C switch OFF	Off
	A/C switch ON	On
AIR PRESS FL	Front left tire air pressure value	kPa, kg/cm ² , psi
AIR PRESS FR	Front right tire air pressure value	kPa, kg/cm ² , psi
AIR PRESS RL	Rear left tire air pressure value	kPa, kg/cm ² , psi
AIR PRESS RR	Rear right tire air pressure value	kPa, kg/cm ² , psi
BRAKE SW	Brake pedal released	Off
	Brake pedal applied	On
BUCKLE SW	Seat belt buckle unfastened	Off
	Seat belt buckle fastened	On
BUZZER	Buzzer in combination meter OFF	Off
	Buzzer in combination meter ON	On
CARGO LAMP SW	Cargo lamp switch OFF	Off
	Cargo lamp switch ON	On
CDL LOCK SW	Door lock/unlock switch does not operate	Off
	Press door lock/unlock switch to the LOCK side	On
CDL UNLOCK SW	Door lock/unlock switch does not operate	Off
	Press door lock/unlock switch to the UNLOCK side	On
DOOR SW-AS	Front door RH closed	Off
	Front door RH opened	On
DOOR SW-DR	Front door LH closed	Off
	Front door LH opened	On
DOOR SW-RL	Rear door LH closed	Off
	Rear door LH opened	On
DOOR SW-RR	Rear door RH closed	Off
	Rear door RH opened	On
FAN ON SIG	Blower motor fan switch OFF	Off
	Blower motor fan switch ON	On
FR FOG SW	Front fog lamp switch OFF	Off
	Front fog lamp switch ON	On

BCM (BODY CONTROL MODULE)

< ECU DIAGNOSIS INFORMATION >

Monitor Item	Condition	Value/Status	
FR WASHER SW	Front washer switch OFF	Off	A
	Front washer switch ON	On	
FR WIPER LOW	Front wiper switch OFF	Off	B
	Front wiper switch LO	On	
FR WIPER HI	Front wiper switch OFF	Off	C
	Front wiper switch HI	On	
FR WIPER INT	Front wiper switch OFF	Off	D
	Front wiper switch INT	On	
FR WIPER STOP	Any position other than front wiper stop position	Off	E
	Front wiper stop position	On	
HAZARD SW	When hazard switch is not pressed	Off	F
	When hazard switch is pressed	On	
HEAD LAMP SW 1	Headlamp switch OFF	Off	G
	Headlamp switch 1st	On	
HEAD LAMP SW 2	Headlamp switch OFF	Off	H
	Headlamp switch 1st	On	
HI BEAM SW	High beam switch OFF	Off	I
	High beam switch HI	On	
ID REGST FL1	ID registration of front left tire incomplete	YET	J
	ID registration of front left tire complete	DONE	
ID REGST FR1	ID registration of front right tire incomplete	YET	K
	ID registration of front right tire complete	DONE	
ID REGST RL1	ID registration of rear left tire incomplete	YET	L
	ID registration of rear left tire complete	DONE	
ID REGST RR1	ID registration of rear right tire incomplete	YET	M
	ID registration of rear right tire complete	DONE	
IGN ON SW	Ignition switch OFF or ACC	Off	
	Ignition switch ON	On	
IGN SW CAN	Ignition switch OFF or ACC	Off	
	Ignition switch ON	On	
INT VOLUME	Wiper intermittent dial is in a dial position 1 - 7	1 - 7	
KEY CYL LK-SW	Door key cylinder LOCK position	Off	
	Door key cylinder other than LOCK position	On	
KEY CYL UN-SW	Door key cylinder UNLOCK position	Off	WCS
	Door key cylinder other than UNLOCK position	On	
KEY ON SW	Mechanical key is removed from key cylinder	Off	O
	Mechanical key is inserted to key cylinder	On	
KEYLESS LOCK	LOCK button of key fob is not pressed	Off	P
	LOCK button of key fob is pressed	On	
KEYLESS PANIC	PANIC button of key fob is not pressed	Off	
	PANIC button of key fob is pressed	On	
KEYLESS UNLOCK	UNLOCK button of key fob is not pressed	Off	
	UNLOCK button of key fob is pressed	On	

BCM (BODY CONTROL MODULE)

< ECU DIAGNOSIS INFORMATION >

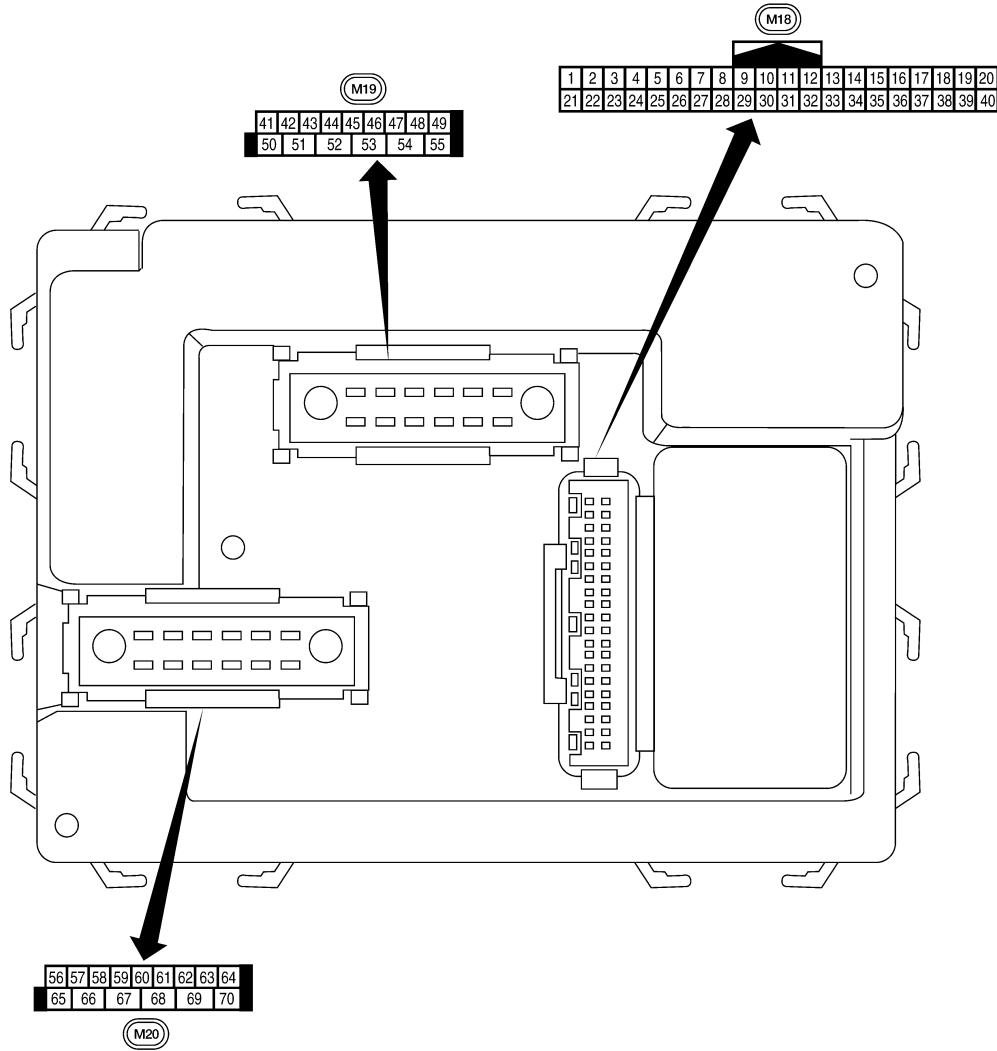
Monitor Item	Condition	Value/Status
LIGHT SW 1ST	Lighting switch OFF	Off
	Lighting switch 1st	On
OIL PRESS SW	<ul style="list-style-type: none">Ignition switch OFF or ACCEngine running	Off
	Ignition switch ON	On
PASSING SW	Other than lighting switch PASS	Off
	Lighting switch PASS	On
REAR DEF SW	Rear window defogger switch OFF	Off
	Rear window defogger switch ON	On
TURN SIGNAL L	Turn signal switch OFF	Off
	Turn signal switch LH	On
TURN SIGNAL R	Turn signal switch OFF	Off
	Turn signal switch RH	On
VEHICLE SPEED	While driving	Equivalent to speedometer reading
WARNING LAMP	Low tire pressure warning lamp in combination meter OFF	Off
	Low tire pressure warning lamp in combination meter ON	On

BCM (BODY CONTROL MODULE)

< ECU DIAGNOSIS INFORMATION >

Terminal Layout

INFOID:000000006717014



A
B
C
D
E
F
G
H
I
J
K
L
M

WCS


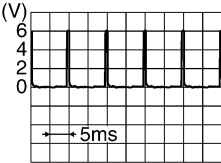

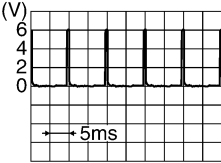
Physical Values

LIIA2443E

INFOID:000000006717015

BCM (BODY CONTROL MODULE)

< ECU DIAGNOSIS INFORMATION >

Terminal	Wire color	Item	Signal input/output	Measuring condition		Reference value or waveform (Approx.)
				Ignition switch	Operation or condition	
1	BR	Ignition keyhole illumination	Output	OFF	Door is locked (SW OFF)	Battery voltage
					Door is unlocked (SW ON)	0V
2	P	Combination switch input 5	Input	ON	Lighting, turn, wiper OFF Wiper dial position 4	 <p style="text-align: right; font-size: small;">SKIA5291E</p>
3	SB	Combination switch input 4	Input	ON	Lighting, turn, wiper OFF Wiper dial position 4	 <p style="text-align: right; font-size: small;">SKIA5292E</p>
4	V	Combination switch input 3	Input	ON	Lighting, turn, wiper OFF Wiper dial position 4	 <p style="text-align: right; font-size: small;">SKIA5291E</p>
5	L	Combination switch input 2	Input	ON	Lighting, turn, wiper OFF Wiper dial position 4	 <p style="text-align: right; font-size: small;">SKIA5292E</p>
6	R	Combination switch input 1				
7	GR	Front door lock assembly LH (key cylinder switch) unlock	Input	OFF	ON (open, 2nd turn)	Momentary 1.5V
8	SB	Front door lock assembly LH (key cylinder switch) lock			OFF (closed)	0V
			On (open)	Momentary 1.5V		
9	Y	Rear window defogger switch	Input	ON	Rear window defogger switch ON	0V
					Rear window defogger switch OFF	5V
11	G/B	Ignition switch (ACC or ON)	Input	ACC or ON	Ignition switch ACC or ON	Battery voltage
12	LG	Front door switch RH (All)	Input	OFF	ON (open)	0V
		Rear door switch upper RH (King Cab)			OFF (closed)	Battery voltage
		Rear door switch lower RH (King Cab)				

BCM (BODY CONTROL MODULE)

< ECU DIAGNOSIS INFORMATION >

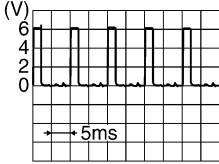

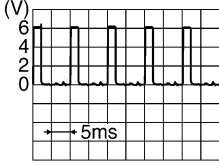

Terminal	Wire color	Item	Signal input/output	Measuring condition		Reference value or waveform (Approx.)
				Ignition switch	Operation or condition	
13	L	Rear door switch RH (Crew Cab)	Input	OFF	ON (open)	0V
					OFF (closed)	Battery voltage
15	W	Tire pressure warning check connector	Input	OFF	—	5V
18	BR	Remote keyless entry receiver (Ground)	Output	OFF	—	0V
19	V	Remote keyless entry receiver (power supply)	Output	OFF	Ignition switch OFF	<p style="text-align: right; font-size: small;">LIIA1893E</p>
20	G	Remote keyless entry receiver signal (Signal)	Input	OFF	Stand-by (keyfob buttons released)	<p style="text-align: right; font-size: small;">LIIA1894E</p>
					When remote keyless entry receiver receives signal from keyfob (keyfob buttons pressed)	<p style="text-align: right; font-size: small;">LIIA1895E</p>
21	GR	NATS antenna amp.	Input	OFF → ON	Ignition switch (OFF → ON)	Just after turning ignition switch ON: Pointer of tester should move.
23	G	Security indicator lamp	Output	OFF	Goes OFF → illuminates (Every 2.4 seconds)	Battery voltage → 0V
25	BR	NATS antenna amp.	Input	OFF → ON	Ignition switch (OFF → ON)	Just after turning ignition switch ON: Pointer of tester should move.
27	W	Compressor ON signal	Input	ON	A/C switch OFF	5V
					A/C switch ON	0V
28	R	Front blower monitor	Input	ON	Front blower motor OFF	Battery voltage
					Front blower motor ON	0V
29	G	Hazard switch	Input	OFF	ON	0V
					OFF	5V
31	GR	Cargo lamp switch	Input	OFF	ON	0V
					OFF	Battery voltage

A
B
C
D
E
F
G
H
I
J
K
L
M
O
P

WCS

BCM (BODY CONTROL MODULE)

< ECU DIAGNOSIS INFORMATION >

Terminal	Wire color	Item	Signal input/output	Measuring condition		Reference value or waveform (Approx.)
				Ignition switch	Operation or condition	
32	O	Combination switch output 5	Output	ON	Lighting, turn, wiper OFF Wiper dial position 4	 <p style="text-align: right; font-size: small;">SKIA5291E</p>
33	GR	Combination switch output 4	Output	ON	Lighting, turn, wiper OFF Wiper dial position 4	 <p style="text-align: right; font-size: small;">SKIA5292E</p>
34	G	Combination switch output 3	Output	ON	Lighting, turn, wiper OFF Wiper dial position 4	 <p style="text-align: right; font-size: small;">SKIA5291E</p>
35	BR	Combination switch output 2	Output	ON	Lighting, turn, wiper OFF Wiper dial position 4	 <p style="text-align: right; font-size: small;">SKIA5292E</p>
36	LG	Combination switch output 1				
37	B	Key switch	Input	OFF	Key inserted	Battery voltage
					Key removed	0V
38	W/R	Ignition switch (ON)	Input	ON	—	Battery voltage
39	L	CAN-H	—	—	—	—
40	P	CAN-L	—	—	—	—
45	V	Lock switch	Input	OFF	ON (lock)	0V
					OFF	Battery voltage
46	LG	Unlock switch	Input	OFF	ON (unlock)	0V
					OFF	Battery voltage
47	GR	Front door switch LH (All)	Input	OFF	ON (open)	0V
		Rear door switch upper LH (King Cab)			OFF (closed)	Battery voltage
		Rear door switch lower LH (King Cab)				
48	P	Rear door switch LH (Crew Cab)	Input	OFF	ON (open)	0V
					OFF (closed)	Battery voltage
50	P	Cargo lamp	Output	OFF	Any door open (ON)	0V
					All doors closed (OFF)	Battery voltage

BCM (BODY CONTROL MODULE)

< ECU DIAGNOSIS INFORMATION >

Terminal	Wire color	Item	Signal input/output	Measuring condition		Reference value or waveform (Approx.)
				Ignition switch	Operation or condition	
51	O	Trailer turn signal (right)	Output	ON	Turn right ON	<p style="text-align: right; font-size: small;">SKIA3009J</p>
52	LG	Trailer turn signal (left)	Output	ON	Turn left ON	<p style="text-align: right; font-size: small;">SKIA3009J</p>
56	R/Y	Battery saver output	Output	OFF	15 minutes after ignition switch is turned OFF	0V
				ON	—	Battery voltage
57	R/Y	Battery power supply	Input	—	—	Battery voltage
58	W	Optical sensor	Input	ON	When optical sensor is illuminated	3.1V or more
					When optical sensor is not illuminated	0.6V or less
59	GR	Front door lock assembly LH (unlock)	Output	OFF	OFF (neutral)	0V
					ON (unlock)	Battery voltage
60	LG	Turn signal (left)	Output	ON	Turn left ON	<p style="text-align: right; font-size: small;">SKIA3009J</p>
61	G	Turn signal (right)	Output	ON	Turn right ON	<p style="text-align: right; font-size: small;">SKIA3009J</p>
63	BR	Interior room/map lamp	Output	OFF	Any door switch	ON (open) 0V OFF (closed) Battery voltage
65	V	All door lock actuators (lock)	Output	OFF	OFF (neutral)	0V
					ON (lock)	Battery voltage
66	L	Front door lock actuator RH, rear door lock actuators LH/RH (unlock)	Output	OFF	OFF (neutral)	0V
					ON (unlock)	Battery voltage
67	B	Ground	Input	ON	—	0V

A
B
C
D
E
F
G
H
I
J
K
L
M

WCS

BCM (BODY CONTROL MODULE)

< ECU DIAGNOSIS INFORMATION >

Terminal	Wire color	Item	Signal input/output	Measuring condition		Reference value or waveform (Approx.)
				Ignition switch	Operation or condition	
68 ¹	O	Power window power supply (RAP)	Output	—	Ignition switch ON	Battery voltage
					Within 45 seconds after ignition switch OFF	Battery voltage
					More than 45 seconds after ignition switch OFF	0V
					When front door LH or RH is open or power window timer operates	0V
68 ²	SB	Power window power supply (RAP)	Output	—	Ignition switch ON	Battery voltage
					Within 45 seconds after ignition switch OFF	Battery voltage
					More than 45 seconds after ignition switch OFF	0V
					When front door LH or RH is open or power window timer operates	0V
69	P	Power window power supply (BAT)	Output	OFF	—	Battery voltage
70	W	Battery power supply	Input	OFF	—	Battery voltage

1: King cab (with power door lock system)

2: Crew cab (with power door lock system)

Fail Safe

INFOID:000000006717016

Fail-safe index

BCM performs fail-safe control when any DTC listed below is detected.

Display contents of CONSULT	Fail-safe	Cancellation
U1000: CAN COMM CIRCUIT	Inhibit engine cranking	When the BCM re-establishes communication with the other modules.

DTC Inspection Priority Chart

INFOID:000000006717017

If some DTCs are displayed at the same time, perform inspections one by one based on the following priority chart.

Priority	DTC
1	<ul style="list-style-type: none"> U1000: CAN COMM CIRCUIT
2	<ul style="list-style-type: none"> B2190: NATS ANTENNA AMP B2191: DIFFERENCE OF KEY B2192: ID DISCORD BCM-ECM B2193: CHAIN OF BCM-ECM

BCM (BODY CONTROL MODULE)

< ECU DIAGNOSIS INFORMATION >

Priority	DTC	
3	<ul style="list-style-type: none"> • C1729: VHCL SPEED SIG ERR • C1735: IGNITION SIGNAL 	A
4	<ul style="list-style-type: none"> • C1704: LOW PRESSURE FL • C1705: LOW PRESSURE FR • C1706: LOW PRESSURE RR • C1707: LOW PRESSURE RL • C1708: [NO DATA] FL • C1709: [NO DATA] FR • C1710: [NO DATA] RR • C1711: [NO DATA] RL • C1712: [CHECKSUM ERR] FL • C1713: [CHECKSUM ERR] FR • C1714: [CHECKSUM ERR] RR • C1715: [CHECKSUM ERR] RL • C1716: [PRESSDATA ERR] FL • C1717: [PRESSDATA ERR] FR • C1718: [PRESSDATA ERR] RR • C1719: [PRESSDATA ERR] RL • C1720: [CODE ERR] FL • C1721: [CODE ERR] FR • C1722: [CODE ERR] RR • C1723: [CODE ERR] RL • C1724: [BATT VOLT LOW] FL • C1725: [BATT VOLT LOW] FR • C1726: [BATT VOLT LOW] RR • C1727: [BATT VOLT LOW] RL 	B C D E F G H

DTC Index

INFOID:000000006717018

NOTE:

- Details of time display
- CRNT: Displays when there is a malfunction now or after returning to the normal condition until turning ignition switch OFF → ON again.
- 1 - 39: Displayed if any previous malfunction is present when current condition is normal. It increases like 1 → 2 → 3...38 → 39 after returning to the normal condition whenever ignition switch OFF → ON. The counter remains at 39 even if the number of cycles exceeds it. It is counted from 1 again when turning ignition switch OFF → ON after returning to the normal condition if the malfunction is detected again.

CONSULT display	Fail-safe	Tire pressure monitor warning lamp ON	Reference page
No DTC is detected. further testing may be required.	—	—	—
U1000: CAN COMM CIRCUIT	—	—	BCS-25
B2190: NATS ANTENA AMP	—	—	SEC-18
B2191: DIFFERENCE OF KEY	—	—	SEC-21
B2192: ID DISCORD BCM-ECM	—	—	SEC-22
B2193: CHAIN OF BCM-ECM	—	—	SEC-24
C1708: [NO DATA] FL	—	—	WT-14
C1709: [NO DATA] FR	—	—	WT-14
C1710: [NO DATA] RR	—	—	WT-14
C1711: [NO DATA] RL	—	—	WT-14
C1712: [CHECKSUM ERR] FL	—	—	WT-16
C1713: [CHECKSUM ERR] FR	—	—	WT-16
C1714: [CHECKSUM ERR] RR	—	—	WT-16
C1715: [CHECKSUM ERR] RL	—	—	WT-16

BCM (BODY CONTROL MODULE)

< ECU DIAGNOSIS INFORMATION >

CONSULT display	Fail-safe	Tire pressure monitor warning lamp ON	Reference page
C1716: [PRESSDATA ERR] FL	—	—	WT-18
C1717: [PRESSDATA ERR] FR	—	—	WT-18
C1718: [PRESSDATA ERR] RR	—	—	WT-18
C1719: [PRESSDATA ERR] RL	—	—	WT-18
C1720: [CODE ERR] FL	—	—	WT-16
C1721: [CODE ERR] FR	—	—	WT-16
C1722: [CODE ERR] RR	—	—	WT-16
C1723: [CODE ERR] RL	—	—	WT-16
C1724: [BATT VOLT LOW] FL	—	—	WT-16
C1725: [BATT VOLT LOW] FR	—	—	WT-16
C1726: [BATT VOLT LOW] RR	—	—	WT-16
C1727: [BATT VOLT LOW] RL	—	—	WT-16
C1729: VHCL SPEED SIG ERR	—	—	WT-20
C1735: IGNITION SIGNAL	—	—	—

WARNING CHIME SYSTEM

< WIRING DIAGRAM >

WIRING DIAGRAM

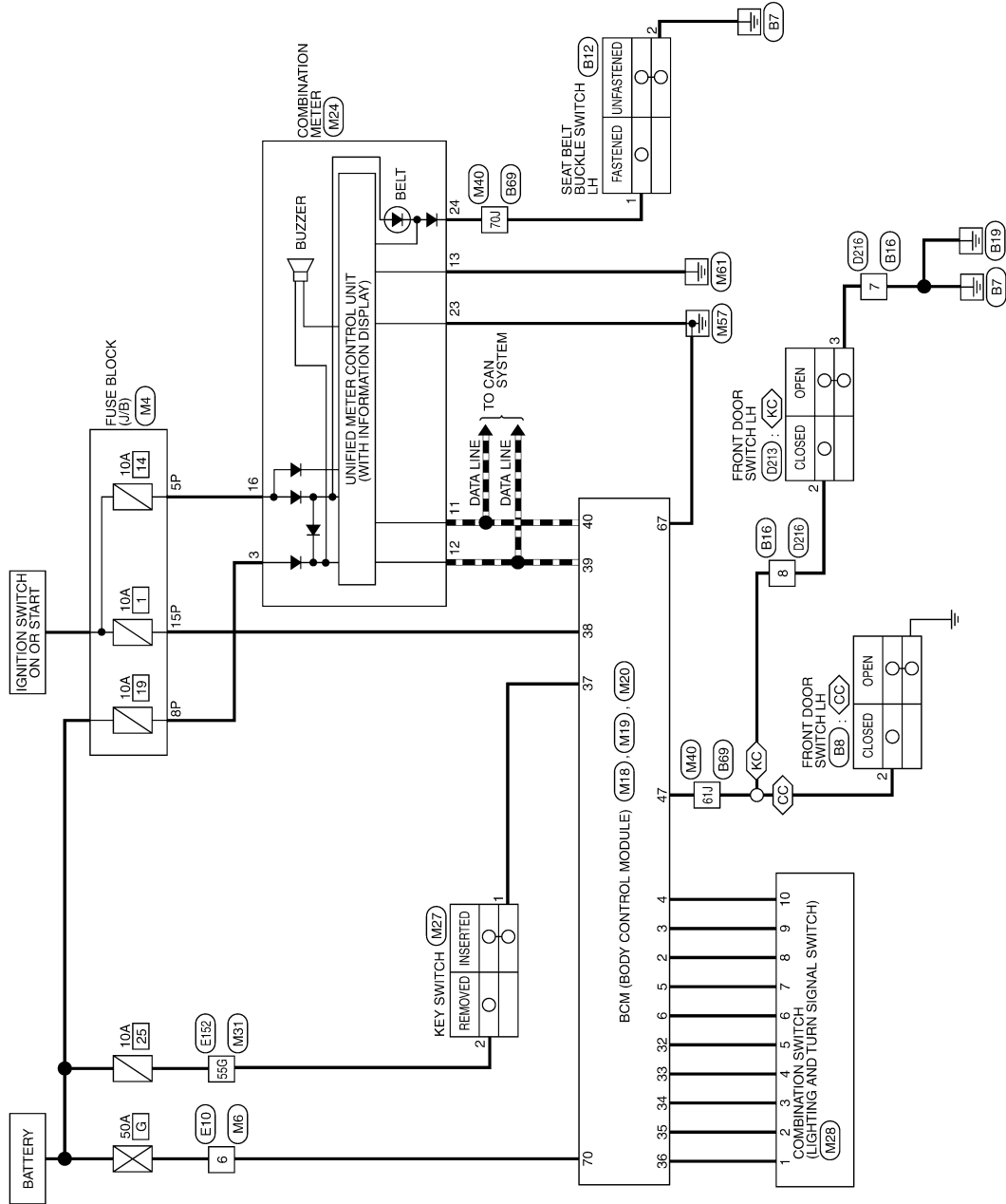
WARNING CHIME SYSTEM

Wiring Diagram

INFOID:000000006648948

◁CC> : CREW CAB
 ◁KC> : KING CAB

WARNING CHIME SYSTEM



A
B
C
D
E
F
G
H
I
J
K
L
M
N
O
P

WCS

ABNWA1042GB

WARNING CHIME SYSTEM

< WIRING DIAGRAM >

WARNING CHIME SYSTEM CONNECTORS

Connector No.	M4
Connector Name	FUSE BLOCK (J/B)
Connector Color	WHITE

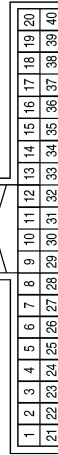


Connector No.	M6
Connector Name	WIRE TO WIRE
Connector Color	WHITE

Terminal No.	Color of Wire	Signal Name
5P	W/G	-
8P	R/Y	-
15P	W/R	-

Terminal No.	Color of Wire	Signal Name
6	W	-

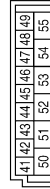
Connector No.	M18
Connector Name	BCM (BODY CONTROL MODULE)
Connector Color	WHITE



Terminal No.	Color of Wire	Signal Name
2	P	INPUT 5
3	SB	INPUT 4

Terminal No.	Color of Wire	Signal Name
4	V	INPUT 3
5	L	INPUT 2
6	R	INPUT 1
32	O	OUTPUT 5
33	GR	OUTPUT 4
34	G	OUTPUT 3
35	BR	OUTPUT 2
36	LG	OUTPUT 1
37	B	KEY SW
38	W/R	IGN SW
39	L	CAN-H
40	P	CAN-L

Connector No.	M19
Connector Name	BCM (BODY CONTROL MODULE)
Connector Color	WHITE



Terminal No.	Color of Wire	Signal Name
47	GR	DOOR SW (DR)

WARNING CHIME SYSTEM

< WIRING DIAGRAM >

Connector No.	M27
Connector Name	KEY SWITCH
Connector Color	WHITE



Terminal No.	Color of Wire	Signal Name
1	B	-
2	Y	-

Connector No.	M24
Connector Name	COMBINATION METER
Connector Color	WHITE



20	19	18	17	16	15	14	13	12	11	10	9	8	7	6	5	4	3	2	1
40	39	38	37	36	35	34	33	32	31	30	29	28	27	26	25	24	23	22	21

Terminal No.	Color of Wire	Signal Name
3	R/Y	BATTERY
11	P	CAN-L
12	L	CAN-H
13	GR	GROUND
16	W/G	RUN START
23	B	POWER GND
24	V	BUCKLE (SEATBELT) SW

Connector No.	M20
Connector Name	BCM (BODY CONTROL MODULE)
Connector Color	BLACK



56	57	58	59	60	61	62	63	64
65	66	67	68	69	70			

Terminal No.	Color of Wire	Signal Name
67	B	GND (POWER)
70	W	BAT (F/L)

Connector No.	M28
Connector Name	COMBINATION SWITCH
Connector Color	WHITE



12	13	10	9	8	7		
14	11	1	2	3	4	5	6

Terminal No.	Color of Wire	Signal Name
1	LG	INPUT 1

Terminal No.	Color of Wire	Signal Name
2	BR	INPUT 2
3	G	INPUT 3
4	GR	INPUT 4
5	O	INPUT 5
6	R	OUTPUT 1
7	L	OUTPUT 2
8	P	OUTPUT 5
9	SB	OUTPUT 4
10	V	OUTPUT 3

A
B
C
D
E
F
G
H
I
J
K
L
M
O
P

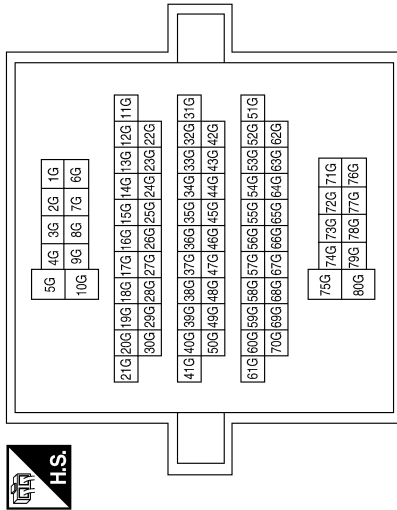
WCS

WARNING CHIME SYSTEM

< WIRING DIAGRAM >

Terminal No.	Color of Wire	Signal Name
55G	Y	-

Connector No.	M31
Connector Name	WIRE TO WIRE
Connector Color	WHITE



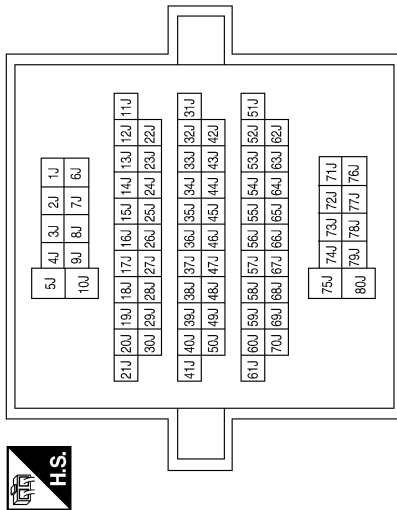
Connector No.	E10
Connector Name	WIRE TO WIRE
Connector Color	WHITE



Terminal No.	Color of Wire	Signal Name
6	W	-

Terminal No.	Color of Wire	Signal Name
61J	GR	-
70J	V	-

Connector No.	M40
Connector Name	WIRE TO WIRE
Connector Color	WHITE

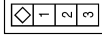


ABNIA0537GB

WARNING CHIME SYSTEM

< WIRING DIAGRAM >

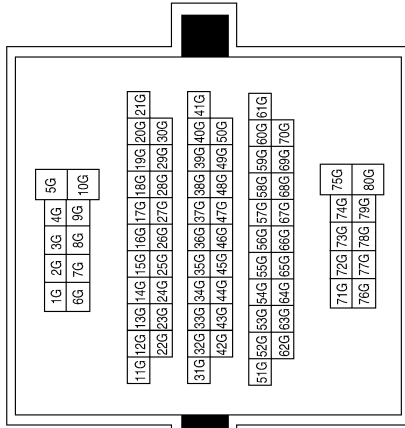
Connector No.	B8
Connector Name	FRONT DOOR SWITCH LH (CREW CAB)
Connector Color	WHITE



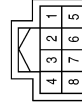
Terminal No.	2	Color of Wire	GR	Signal Name	-
--------------	---	---------------	----	-------------	---

Terminal No.	55G	Color of Wire	Y	Signal Name	-
--------------	-----	---------------	---	-------------	---

Connector No.	E152
Connector Name	WIRE TO WIRE
Connector Color	WHITE

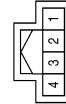


Connector No.	B16
Connector Name	WIRE TO WIRE
Connector Color	WHITE



Terminal No.	7	Color of Wire	B	Signal Name	-
Terminal No.	8	Color of Wire	GR	Signal Name	-

Connector No.	B12
Connector Name	SEAT BELT BUCKLE SWITCH LH
Connector Color	WHITE



Terminal No.	1	Color of Wire	O	Signal Name	-
Terminal No.	2	Color of Wire	B	Signal Name	-

ABNIA2668GB

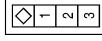
A
B
C
D
E
F
G
H
I
J
K
L
M
N
O
P

WCS

WARNING CHIME SYSTEM

< WIRING DIAGRAM >

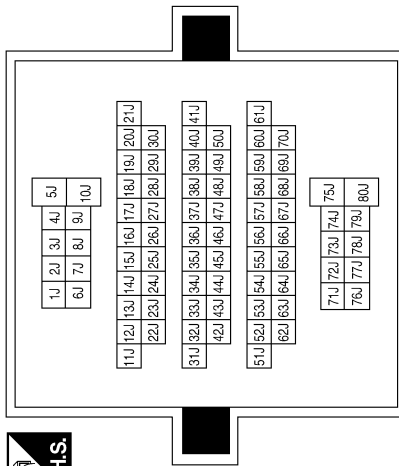
Connector No.	D213
Connector Name	FRONT DOOR SWITCH LH (KING CAB)
Connector Color	WHITE



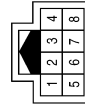
Terminal No.	Color of Wire	Signal Name
2	LG	-
3	B	-

Terminal No.	Color of Wire	Signal Name
61J	GR	-
70J	V	-

Connector No.	B69
Connector Name	WIRE TO WIRE
Connector Color	WHITE



Connector No.	D216
Connector Name	WIRE TO WIRE
Connector Color	WHITE



Terminal No.	Color of Wire	Signal Name
7	B	-
8	LG	-

ABN1A16796B

THE LIGHT REMINDER WARNING DOES NOT SOUND

< SYMPTOM DIAGNOSIS >

SYMPTOM DIAGNOSIS

THE LIGHT REMINDER WARNING DOES NOT SOUND

Description

INFOID:000000006250727

Light reminder warning does not sound even though headlamp is illuminated.

Diagnosis Procedure

INFOID:000000006250728

1. CHECK COMBINATION SWITCH (LIGHTING AND TURN SIGNAL SWITCH) OPERATION

Check that the headlamps operate normally by operating the combination switch (lighting and turn signal switch).

Do they operate normally?

YES >> GO TO 2

NO >> Refer to [EXL-4, "Work Flow"](#).

2. CHECK FRONT DOOR SWITCH LH SIGNAL CIRCUIT

Perform a unit inspection for the front door switch LH. Refer to [DLK-29, "CREW CAB : Component Function Check"](#) (Crew Cab) or [DLK-27, "KING CAB : Component Function Check"](#) (King Cab).

Is the inspection result normal?

YES >> Replace the BCM. Refer to [BCS-51, "Removal and Installation"](#).

NO >> Refer to [DLK-29, "CREW CAB : Diagnosis Procedure"](#) (Crew Cab) or [DLK-27, "KING CAB : Diagnosis Procedure"](#) (King Cab).

A
B
C
D
E
F
G
H
I
J
K
L
M
O
P

WCS

THE SEAT BELT WARNING CONTINUES SOUNDING, OR DOES NOT SOUND

< SYMPTOM DIAGNOSIS >

THE SEAT BELT WARNING CONTINUES SOUNDING, OR DOES NOT SOUND

Description

INFOID:000000006250729

- Seat belt warning does not sound even though driver seat belt is not fastened.
- Seat belt warning sounds even though driver seat belt is fastened.

Diagnosis Procedure

INFOID:000000006250730

1. CHECK WARNING CHIME OPERATION

1. With key removed from key switch and the front door LH open, turn lighting switch to 1st or 2nd position.
2. Return lighting switch to off position, and insert key into key switch.

Does warning chime sound for both steps?

YES >> GO TO 2

- NO >> • If both light reminder warning and key warning do not sound, replace combination meter. Refer to [MWI-90, "Removal and Installation"](#).
- If the light reminder warning does not sound only, refer to [WCS-43, "Diagnosis Procedure"](#).
 - If the key warning does not sound only, refer to [WCS-45, "Diagnosis Procedure"](#).

2. CHECK SEAT BELT WARNING LAMP

1. Turn ignition switch ON.
2. Check the operation of the seat belt warning lamp in the combination meter.

Seat belt fastened : OFF

Seat belt not fastened : ON

Is the inspection result normal?

YES >> Replace BCM. Refer to [BCS-51, "Removal and Installation"](#).

NO >> GO TO 3

3. CHECK SEAT BELT BUCKLE SWITCH CIRCUIT

Perform inspection of the seat belt buckle switch circuit. Refer to [WCS-19, "Diagnosis Procedure"](#).

Is the inspection result normal?

YES >> GO TO 4

NO >> Repair harness or connector.

4. CHECK SEAT BELT BUCKLE SWITCH UNIT

Perform a unit inspection for the seat belt buckle switch. Refer to [WCS-20, "Component Inspection"](#).

Is the inspection result normal?

YES >> Replace the combination meter. Refer to [MWI-90, "Removal and Installation"](#).

NO >> Replace the seat belt buckle switch LH.

THE KEY WARNING DOES NOT SOUND

< SYMPTOM DIAGNOSIS >

THE KEY WARNING DOES NOT SOUND

Description

INFOID:000000006250731

Key warning does not sound even though key is in ignition and front door LH is opened.

Diagnosis Procedure

INFOID:000000006250732

1.CHECK WARNING CHIME OPERATION

With key removed from the ignition and the front door LH open, turn the lighting switch to 1st or 2nd position.

Does warning chime sound?

YES >> GO TO 2

NO >> Replace combination meter. Refer to [MWI-90, "Removal and Installation"](#).

2.CHECK KEY SWITCH CIRCUIT

Perform inspection of the key switch circuit. Refer to [WCS-21, "Diagnosis Procedure"](#).

Is the inspection result normal?

YES >> GO TO 3

NO >> Repair harness or connector.

3.CHECK KEY SWITCH

Perform a unit inspection for the key switch. Refer to [WCS-22, "Component Inspection"](#).

Is the inspection result normal?

YES >> Replace the BCM. Refer to [BCS-51, "Removal and Installation"](#).

NO >> Replace the key switch.

A
B
C
D
E
F
G
H
I
J
K
L
M
O
P

WCS

PRECAUTIONS

< PRECAUTION >

PRECAUTION

PRECAUTIONS

Precaution for Supplemental Restraint System (SRS) "AIR BAG" and "SEAT BELT PRE-TENSIONER"

INFOID:000000006250733

The Supplemental Restraint System such as "AIR BAG" and "SEAT BELT PRE-TENSIONER", used along with a front seat belt, helps to reduce the risk or severity of injury to the driver and front passenger for certain types of collision. This system includes seat belt switch inputs and dual stage front air bag modules. The SRS system uses the seat belt switches to determine the front air bag deployment, and may only deploy one front air bag, depending on the severity of a collision and whether the front occupants are belted or unbelted. Information necessary to service the system safely is included in the SR and SB section of this Service Manual.

WARNING:

- To avoid rendering the SRS inoperative, which could increase the risk of personal injury or death in the event of a collision which would result in air bag inflation, all maintenance must be performed by an authorized NISSAN/INFINITI dealer.
- Improper maintenance, including incorrect removal and installation of the SRS, can lead to personal injury caused by unintentional activation of the system. For removal of Spiral Cable and Air Bag Module, see the SR section.
- Do not use electrical test equipment on any circuit related to the SRS unless instructed to in this Service Manual. SRS wiring harnesses can be identified by yellow and/or orange harnesses or harness connectors.

PRECAUTIONS WHEN USING POWER TOOLS (AIR OR ELECTRIC) AND HAMMERS

WARNING:

- When working near the Airbag Diagnosis Sensor Unit or other Airbag System sensors with the Ignition ON or engine running, DO NOT use air or electric power tools or strike near the sensor(s) with a hammer. Heavy vibration could activate the sensor(s) and deploy the air bag(s), possibly causing serious injury.
- When using air or electric power tools or hammers, always switch the Ignition OFF, disconnect the battery, and wait at least 3 minutes before performing any service.