

SECTION **DLK**
DOOR & LOCK

A
B
C

CONTENTS

BASIC INSPECTION	4	REMOTE KEYLESS ENTRY : Component Parts	F
DIAGNOSIS AND REPAIR WORKFLOW	4	Location - King Cab	17
Work Flow	4	REMOTE KEYLESS ENTRY : Component Parts	G
INSPECTION AND ADJUSTMENT	7	Location - Crew Cab	18
ADDITIONAL SERVICE WHEN REPLACING CONTROL UNIT	7	REMOTE KEYLESS ENTRY : Component Description	18
ADDITIONAL SERVICE WHEN REPLACING CONTROL UNIT : Description	7	HOMELINK UNIVERSAL TRANSCEIVER	19
ADDITIONAL SERVICE WHEN REPLACING CONTROL UNIT : Special Repair Requirement	7	Component Description	19
SYSTEM DESCRIPTION	8	DIAGNOSIS SYSTEM (BCM)	20
AUTOMATIC DOOR LOCKS	8	COMMON ITEM	20
System Diagram	8	COMMON ITEM : CONSULT Function (BCM - COMMON ITEM)	20
System Description	8	DOOR LOCK	20
Component Parts Location - King Cab	10	DOOR LOCK : CONSULT Function (BCM - DOOR LOCK)	21
Component Parts Location - Crew Cab	11	MULTI REMOTE ENT	21
Component Description	11	MULTI REMOTE ENT : CONSULT Function (BCM - MULTI REMOTE ENT)	21
DOOR LOCK FUNCTION	12	DTC/CIRCUIT DIAGNOSIS	23
DOOR LOCK AND UNLOCK SWITCH	12	U1000 CAN COMM CIRCUIT	23
DOOR LOCK AND UNLOCK SWITCH : System Diagram	12	Description	23
DOOR LOCK AND UNLOCK SWITCH : System Description	12	DTC Logic	23
DOOR LOCK AND UNLOCK SWITCH : Component Parts Location - King Cab	13	Diagnosis Procedure	23
DOOR LOCK AND UNLOCK SWITCH : Component Parts Location - Crew Cab	14	U1010 CONTROL UNIT (CAN)	24
DOOR LOCK AND UNLOCK SWITCH : Component Description	14	DTC Logic	24
REMOTE KEYLESS ENTRY	14	Diagnosis Procedure	24
REMOTE KEYLESS ENTRY : System Diagram	14	Special Repair Requirement	24
REMOTE KEYLESS ENTRY : System Description	15	POWER SUPPLY AND GROUND CIRCUIT	25
		Diagnosis Procedure	25
		DOOR SWITCH	27
		KING CAB	27
		KING CAB : Description	27

DLK

D
E
F
G
H
I
J
L
M
N
O
P

KING CAB : Component Function Check	27	HORN FUNCTION	53
KING CAB : Diagnosis Procedure	27	Description	53
CREW CAB	29	Component Function Check	53
CREW CAB : Description	29	Diagnosis Procedure	53
CREW CAB : Component Function Check	29	WARNING CHIME FUNCTION	55
CREW CAB : Diagnosis Procedure	29	Description	55
DOOR LOCK AND UNLOCK SWITCH	32	Component Function Check	55
KING CAB	32	Diagnosis Procedure	55
KING CAB : Description	32	HAZARD FUNCTION	56
KING CAB : Component Function Check	32	Description	56
KING CAB : Diagnosis Procedure	32	Component Function Check	56
CREW CAB	35	Diagnosis Procedure	56
CREW CAB : Description	35	HEADLAMP FUNCTION	57
CREW CAB : Component Function Check	35	Diagnosis Procedure	57
CREW CAB : Diagnosis Procedure	35	MAP LAMP AND IGNITION KEYHOLE ILLU- MINATION FUNCTION	58
KEY CYLINDER SWITCH	39	Diagnosis Procedure	58
DRIVER SIDE	39	KEYFOB ID SET UP WITH CONSULT	59
DRIVER SIDE : Description	39	ID Code Entry Procedure	59
DRIVER SIDE : Component Function Check	39	KEYFOB ID SET UP WITHOUT CONSULT	60
DRIVER SIDE : Diagnosis Procedure	39	ID Code Entry Procedure	60
KEY SWITCH (BCM INPUT)	42	HOMELINK UNIVERSAL TRANSCEIVER	62
Diagnosis Procedure	42	Description	62
DOOR LOCK ACTUATOR	43	Component Function Check	62
DRIVER SIDE	43	Diagnosis Procedure	62
DRIVER SIDE : Description	43	ECU DIAGNOSIS INFORMATION	64
DRIVER SIDE : Component Function Check	43	BCM (BODY CONTROL MODULE)	64
DRIVER SIDE : Diagnosis Procedure	43	Reference Value	64
PASSENGER SIDE	44	Terminal Layout	67
PASSENGER SIDE : Description	44	Physical Values	67
PASSENGER SIDE :		Fail Safe	72
Component Function Check	44	DTC Inspection Priority Chart	72
PASSENGER SIDE : Diagnosis Procedure	44	DTC Index	73
REAR LH	45	WIRING DIAGRAM	75
REAR LH : Description	45	INTEGRATED HOMELINK TRANSMITTER	75
REAR LH : Component Function Check	45	Wiring Diagram	75
REAR LH : Diagnosis Procedure	45	POWER DOOR LOCK SYSTEM	77
REAR RH	46	Wiring Diagram - King Cab	77
REAR RH : Description	47	Wiring Diagram - Crew Cab	87
REAR RH : Component Function Check	47	REMOTE KEYLESS ENTRY SYSTEM	99
REAR RH : Diagnosis Procedure	47	Wiring Diagram - King Cab	99
REMOTE KEYLESS ENTRY RECEIVER	49	Wiring Diagram - Crew Cab	109
Description	49	SYMPTOM DIAGNOSIS	118
Component Function Check	49	DOOR LOCK	118
Diagnosis Procedure	49	Symptom Table	118
KEYFOB BATTERY AND FUNCTION	51	REMOTE KEYLESS ENTRY SYSTEM	119
Description	51		
Component Function Check	51		
Diagnosis Procedure	51		

Symptom Table	119		
SQUEAK AND RATTLE TROUBLE DIAG- NOSES	121	HOOD	130
Work Flow	121	Fitting Adjustment	130
Generic Squeak and Rattle Troubleshooting	123	Removal and Installation of Hood Assembly	131
Diagnostic Worksheet	125	Removal and Installation of Hood Lock Control ...	132
PRECAUTION	127	Hood Lock Control Inspection	133
PRECAUTIONS	127	DOOR	134
Precaution for Supplemental Restraint System (SRS) "AIR BAG" and "SEAT BELT PRE-TEN- SIONER"	127	Fitting Adjustment	134
Precaution for Servicing Doors and Locks	127	Removal and Installation	136
PREPARATION	128	FRONT DOOR LOCK	139
PREPARATION	128	Component Structure	139
Special Service Tool	128	Removal and Installation	139
Commercial Service Tool	129	Disassembly and Assembly	141
REMOVAL AND INSTALLATION	130	REAR DOOR LOCK	142
		Component Structure	142
		Removal and Installation	143
		TAIL GATE	146
		Removal and Installation	146

A
B
C
D
E
F
G
H
I
J
L
M
N
O
P

DLK

DIAGNOSIS AND REPAIR WORKFLOW

< BASIC INSPECTION >

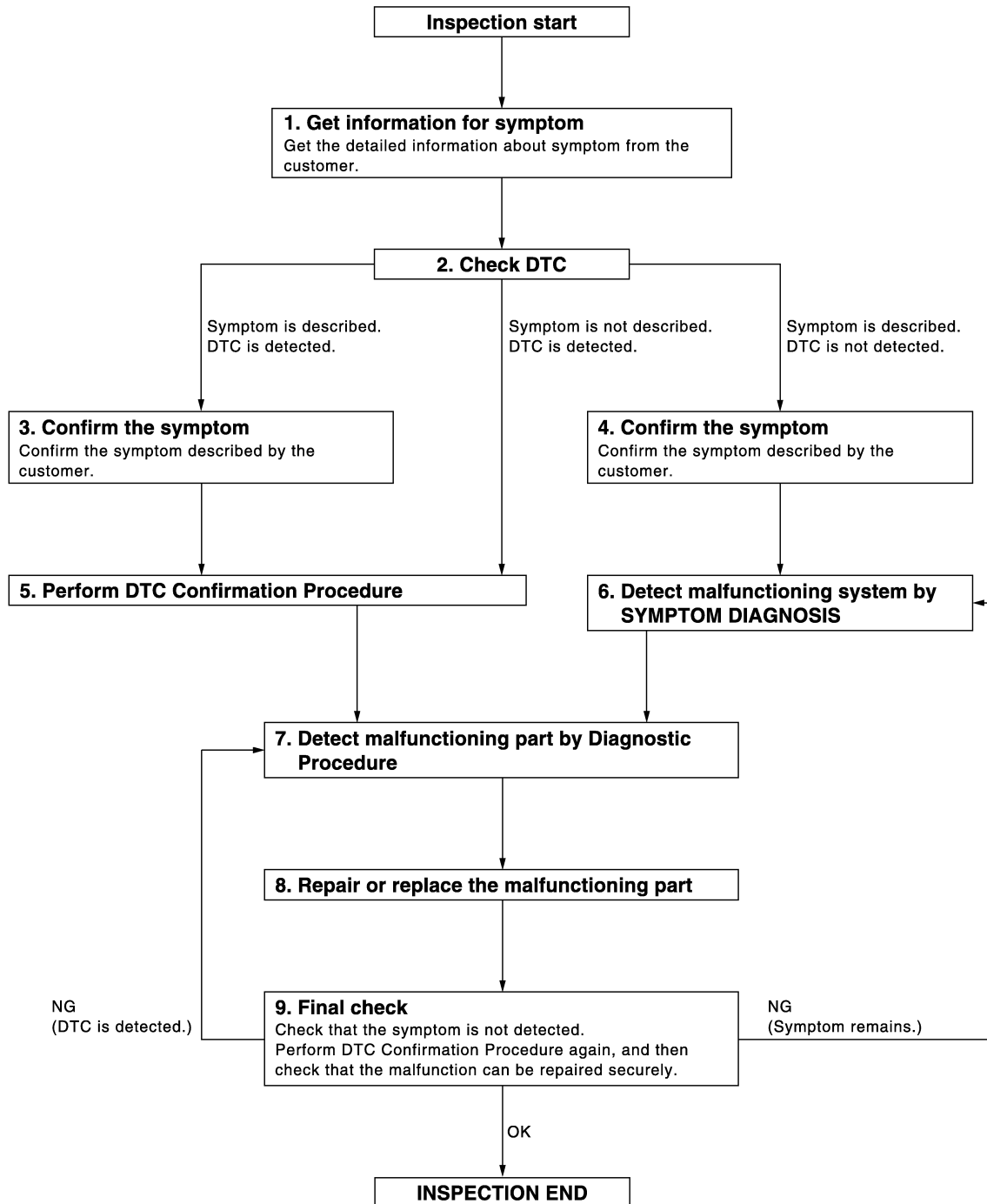
BASIC INSPECTION

DIAGNOSIS AND REPAIR WORKFLOW

Work Flow

INFOID:000000007327219

OVERALL SEQUENCE



JMKIA2270GB

DETAILED FLOW

DIAGNOSIS AND REPAIR WORKFLOW

< BASIC INSPECTION >

1.GET INFORMATION FOR SYMPTOM

Get the detailed information from the customer about the symptom (the condition and the environment when the incident/malfunction occurred).

>> GO TO 2

2.CHECK DTC

1. Check DTC.
2. Perform the following procedure if DTC is displayed.
 - Record DTC and freeze frame data (Print them out with CONSULT).
 - Erase DTC.
 - Study the relationship between the cause detected by DTC and the symptom described by the customer.
3. Check related service bulletins for information.

Is any symptom described and any DTC detected?

Symptom is described, DTC is displayed>>GO TO 3

Symptom is described, DTC is not displayed>>GO TO 4

Symptom is not described, DTC is displayed>>GO TO 5

3.CONFIRM THE SYMPTOM

Confirm the symptom described by the customer.

Connect CONSULT to the vehicle in "DATA MONITOR" mode and check real time diagnosis results. Verify relation between the symptom and the condition when the symptom is detected.

>> GO TO 5

4.CONFIRM THE SYMPTOM

Confirm the symptom described by the customer.

Connect CONSULT to the vehicle in "DATA MONITOR" mode and check real time diagnosis results. Verify relation between the symptom and the condition when the symptom is detected.

>> GO TO 6

5.PERFORM DTC CONFIRMATION PROCEDURE

Perform DTC Confirmation Procedure for the displayed DTC, and then check that DTC is detected again. At this time, always connect CONSULT to the vehicle, and check diagnostic results in real time.

If two or more DTCs are detected, refer to [DLK-72. "DTC Inspection Priority Chart"](#) and determine trouble diagnosis order.

NOTE:

- Freeze frame data is useful if the DTC is not detected.
- Perform Component Function Check if DTC Confirmation Procedure is not included in Service Manual. This simplified check procedure is an effective alternative though DTC cannot be detected during this check. If the result of Component Function Check is NG, it is the same as the detection of DTC by DTC Confirmation Procedure.

Is DTC detected?

YES >> GO TO 7

NO >> Refer to [GI-46. "Intermittent Incident"](#).

6.DETECT MALFUNCTIONING SYSTEM BY SYMPTOM TABLE

Detect malfunctioning system according to SYMPTOM DIAGNOSIS based on the confirmed symptom in step 4, and determine the trouble diagnosis order based on possible causes and symptom.

>> GO TO 7

7.DETECT MALFUNCTIONING PART BY DIAGNOSTIC PROCEDURE

Inspect according to Diagnostic Procedure of the system.

NOTE:

A
B
C
D
E
F
G
H
I
J
L
M
N
O
P

DLK

DIAGNOSIS AND REPAIR WORKFLOW

< BASIC INSPECTION >

The Diagnostic Procedure described based on open circuit inspection. A short circuit inspection is also required for the circuit check in the Diagnostic Procedure.

Is malfunctioning part detected?

YES >> GO TO 8

NO >> Check voltage of related BCM terminals using CONSULT.

8. REPAIR OR REPLACE THE MALFUNCTIONING PART

1. Repair or replace the malfunctioning part.
2. Reconnect parts or connectors disconnected during Diagnostic Procedure again after repair and replacement.
3. Check DTC. If DTC is displayed, erase it.

>> GO TO 9

9. FINAL CHECK

When DTC was detected in step 2, perform DTC Confirmation Procedure or Component Function Check again, and then check that the malfunction have been repaired securely.

When symptom was described from the customer, refer to confirmed symptom in step 3 or 4, and check that the symptom is not detected.

Is the inspection result normal?

NO (DTC is detected)>>GO TO 7

NO (Symptom remains)>>GO TO 6

YES >> Inspection End.

INSPECTION AND ADJUSTMENT

< BASIC INSPECTION >

INSPECTION AND ADJUSTMENT

ADDITIONAL SERVICE WHEN REPLACING CONTROL UNIT

A

ADDITIONAL SERVICE WHEN REPLACING CONTROL UNIT : Description

INFOID:000000007327220

B

Perform the system initialization when replacing BCM, replacing a keyfob or registering an additional keyfob.

ADDITIONAL SERVICE WHEN REPLACING CONTROL UNIT : Special Repair Requirement

INFOID:000000007327221

C

Refer to [DLK-59. "ID Code Entry Procedure"](#) (with CONSULT) or [DLK-60. "ID Code Entry Procedure"](#) (without CONSULT).

D

E

F

G

H

I

J

DLK

L

M

N

O

P

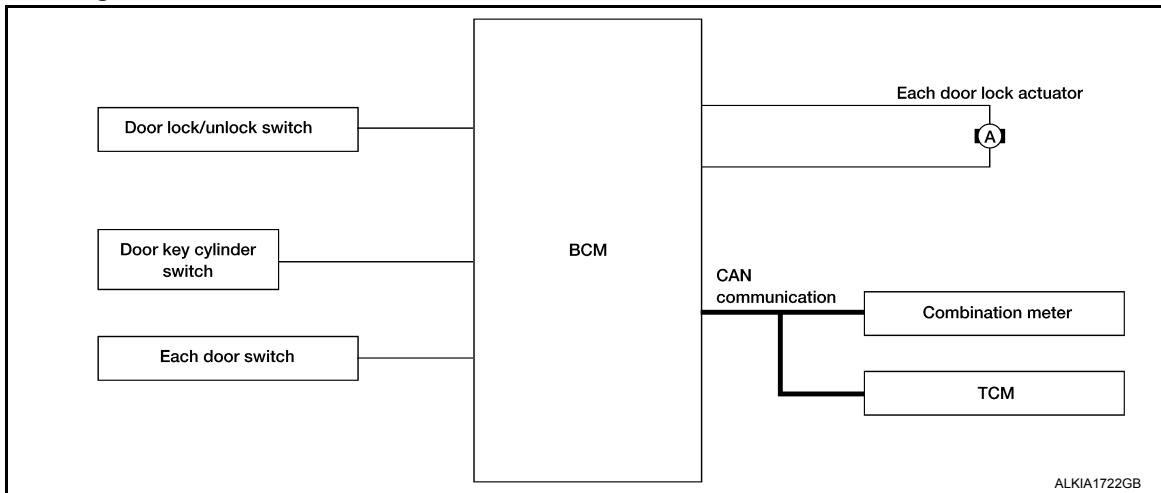
AUTOMATIC DOOR LOCKS

< SYSTEM DESCRIPTION >

SYSTEM DESCRIPTION

AUTOMATIC DOOR LOCKS

System Diagram



System Description

INFOID:000000007327223

Input	Single	Function	Actuator
Door lock/unlock switch	Door lock/unlock signal	Door lock function	Each door lock actuator
Door key cylinder switch			
Each door switch	Door open/close signal	Key reminder function	
Combination meter	Warning buzzer signal		
	Vehicle speed signal	Automatic door lock/unlock function	
TCM	Shift position signal		

DOOR LOCK FUNCTION

- The door lock and unlock switch (driver side) is built into power window main switch.
- The door lock and unlock switch (passenger side) is on door trim.
- Interlocked with the locking operation of door lock and unlock switch, door lock actuators of all doors are locked.
- Interlocked with the unlocking operation of door lock and unlock switch, door lock actuators of all doors are unlocked.

Door Key Cylinder

- With the door key inserted in the door key cylinder on driver side, turning it to "LOCK", will lock door lock actuator of all doors.
- With the door key inserted in the door key cylinder on driver side, turning it to "UNLOCK" once unlocks the driver side door lock actuator; turning it to "UNLOCK" again within 5 seconds after the first unlock operation unlocks all of the other doors. - (SELECTIVE UNLOCK OPERATION)

Selective unlock operation mode can be changed using "DOOR LOCK-UNLOCK SET" mode in "WORK SUPPORT". Refer to [DLK-21. "DOOR LOCK : CONSULT Function \(BCM - DOOR LOCK\)".](#)

AUTOMATIC DOOR LOCKS (LOCK OPERATION)

The interlock door lock function is the function that locks all doors linked with the vehicle speed.

Vehicle Speed Sensing Auto Door Lock*1

All doors are locked when the vehicle speed reaches 24 km/h (15 MPH) or more.

BCM outputs the lock signal to all door lock actuators when it detects that the ignition switch is turned ON, all doors are closed and the vehicle speed received from the combination meter via CAN communication becomes 15 MPH (24 km/h) or more.

AUTOMATIC DOOR LOCKS

< SYSTEM DESCRIPTION >

If a door is opened and closed at any time during one ignition cycle (OFF → ON), even after initial auto door lock has taken place, the BCM will relock all doors when the vehicle speed reaches 15 MPH (24 km/h) or more again.

Setting change of Automatic Door Locks (LOCK) Function

The lock operation setting of the automatic door locks function can be changed.

With CONSULT

The ON/OFF switching of the automatic door locks (LOCK) function and the type selection of the automatic door locks (LOCK) function can be performed at the WORK SUPPORT setting of CONSULT. Refer to [DLK-21, "DOOR LOCK : CONSULT Function \(BCM - DOOR LOCK\)"](#).

Without CONSULT

The automatic door locks (LOCK) function can be switched ON/OFF by performing the following operation.

1. Close all doors (door switch OFF).
2. Turn ignition switch ON.
3. Within 20 seconds of turning the ignition switch ON, press and hold the door lock and unlock switch to the LOCK position for more than 5 seconds.
4. The switching is completed when the hazard lamps blink.

OFF → ON : 2 blinks

ON → OFF : 1 blink

5. The ignition switch must be turned OFF and ON again between each setting change.

AUTOMATIC DOOR LOCKS (UNLOCK OPERATION)

The automatic door locks (UNLOCK) function is the function that unlocks all doors linked with the key position.

IGN OFF Interlock Door Unlock*1

All doors are unlocked when the power supply position is changed from ON to OFF.

BCM outputs the unlock signal to all door lock actuators when it detects that the power supply position is changed from ignition switch ON to OFF.

Setting change of Automatic Door Locks (UNLOCK) Function

The lock operation setting of the automatic door locks function can be changed.

With CONSULT

The ON/OFF switching of the automatic door locks (UNLOCK) function and the type selection of the automatic door locks (UNLOCK) function can be performed at the WORK SUPPORT setting of CONSULT. Refer to [DLK-21, "DOOR LOCK : CONSULT Function \(BCM - DOOR LOCK\)"](#).

Without CONSULT

The automatic door locks (UNLOCK) function can be switched ON/OFF by performing the following operation.

1. Close all doors (door switch OFF).
2. Turn ignition switch ON.
3. Within 20 seconds of turning the ignition switch ON, press and hold the door lock and unlock switch to the UNLOCK position for more than 5 seconds.
4. The switching is completed when the hazard lamps blink.

OFF → ON : 2 blinks

ON → OFF : 1 blink

5. The ignition switch must be turned OFF and ON again between each setting change.

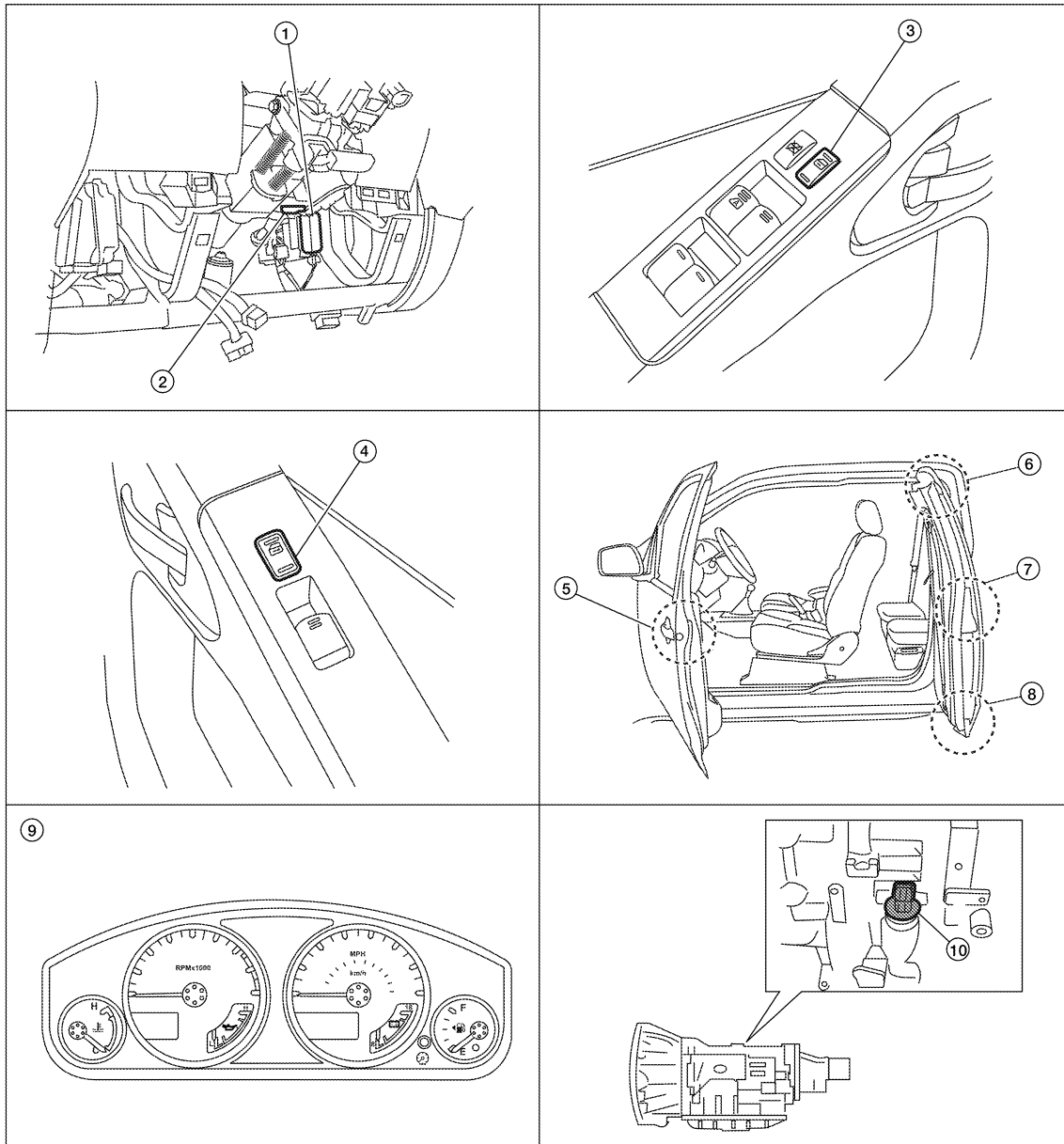
*1: This function is set to ON before delivery.

AUTOMATIC DOOR LOCKS

< SYSTEM DESCRIPTION >

Component Parts Location - King Cab

INFOID:000000007327224



ALKIA1723ZZ

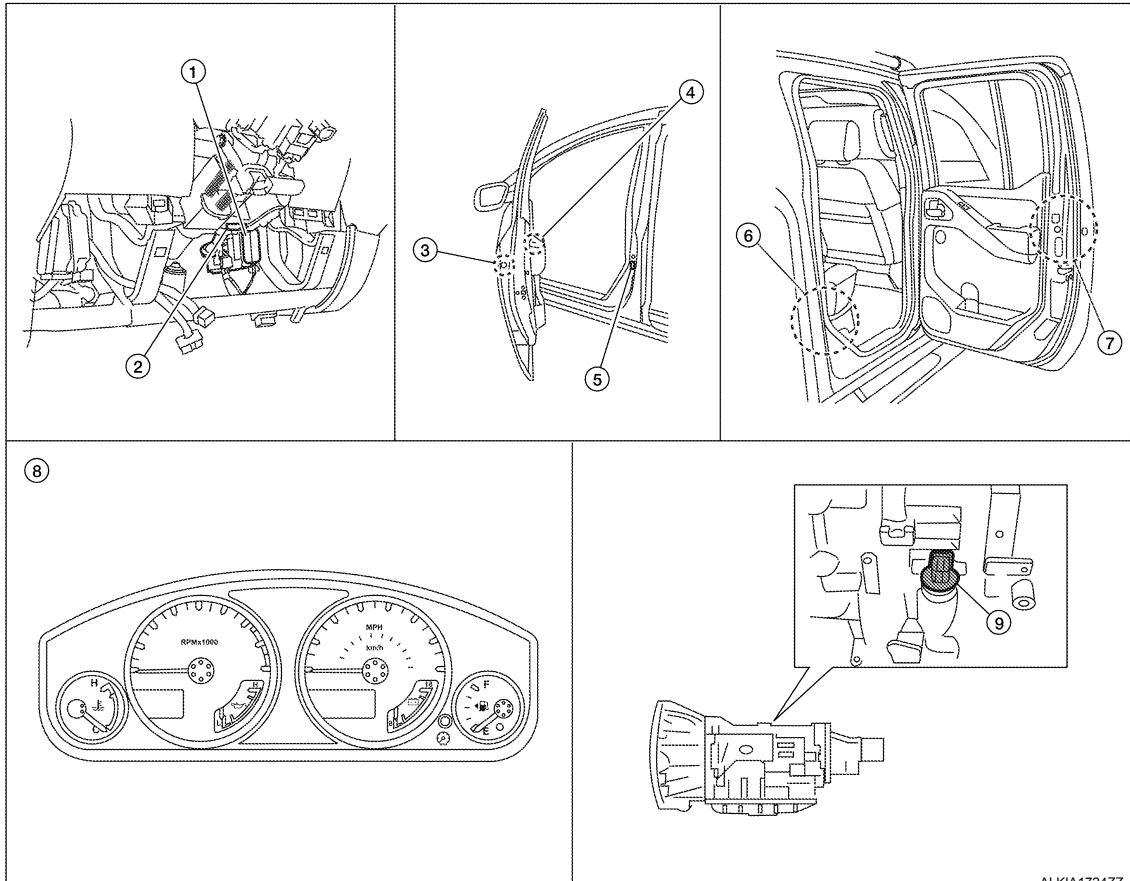
- | | | |
|---|--|---|
| 1. BCM M18, M19, M20
(view with lower instrument panel LH removed) | 2. Key switch M27 | 3. Main power window and door lock/unlock switch D7 |
| 4. Power window and door lock/unlock switch RH D105 | 5. Front door lock assembly LH (key cylinder switch) D14
Front door lock actuator RH D114 | 6. Rear door switch upper LH D211
RH D312 |
| 7. Front door switch
LH D213
RH D314 | 8. Rear door switch lower
LH D212
RH D313 | 9. Combination meter M24 |
| 10. A/T assembly (TCM) F9 | | |

AUTOMATIC DOOR LOCKS

< SYSTEM DESCRIPTION >

Component Parts Location - Crew Cab

INFOID:000000007327225



ALIGA1724ZZ

- | | | |
|---|---------------------------------------|--|
| 1. BCM M18, M19, M20
(view with lower instrument panel LH removed) | 2. Key switch M27 | 3. Front door lock assembly LH (key cylinder switch) D14
Front door lock actuator RH D114 |
| 4. Main power window and door lock/unlock switch D7
Power window and door lock/unlock switch RH D105 | 5. Front door switch LH B8
RH B108 | 6. Rear door switch LH B18
RH B116 |
| 7. Rear door lock actuator LH D205
RH D305 | 8. Combination meter M24 | 9. A/T assembly (TCM) F9 |

DLK

Component Description

INFOID:000000007327226

Item	Function
BCM	Controls the door lock function and room lamp function.
Door lock and unlock switch	Input lock or unlock signal to BCM.
Door lock actuator	Output lock/unlock signal from BCM and locks/unlocks each door.
Door switch	Input door open/close condition to BCM.
Door key cylinder switch	<ul style="list-style-type: none"> Input lock or unlock signal to main power window and door lock/unlock switch. Main power window and door lock/unlock switch transmits door lock/unlock signal to BCM.
Combination meter	<ul style="list-style-type: none"> Receive buzzer signal from BCM via CAN communication line, and sounds the buzzer. Transmits vehicle speed signal to CAN communication line.
TCM	Transmit shift position signal to BCM via CAN communication line.

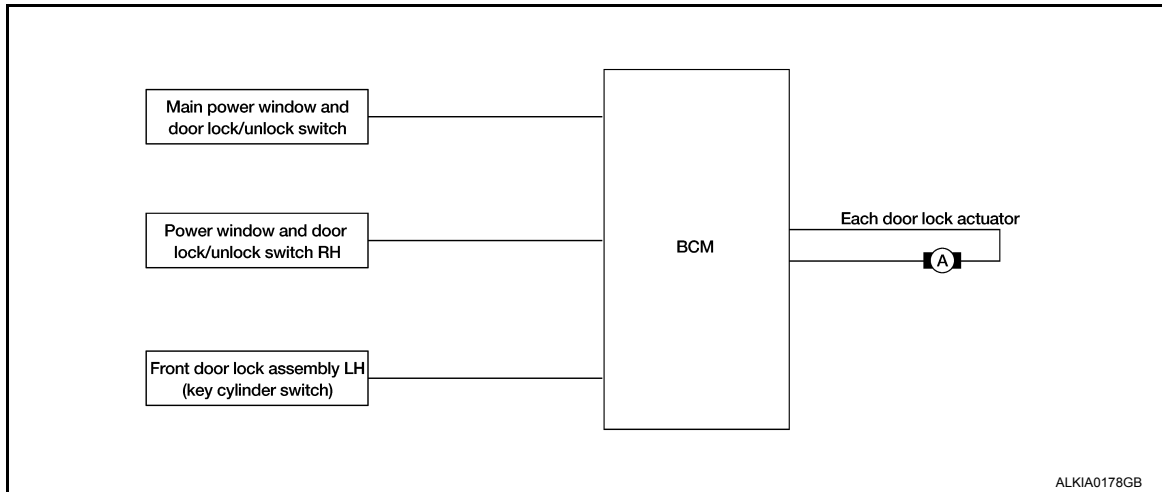
DOOR LOCK FUNCTION

< SYSTEM DESCRIPTION >

DOOR LOCK FUNCTION DOOR LOCK AND UNLOCK SWITCH

DOOR LOCK AND UNLOCK SWITCH : System Diagram

INFOID:000000007327227



ALKIA0178GB

DOOR LOCK AND UNLOCK SWITCH : System Description

INFOID:000000007327228

Switch	Input/output signal to BCM	BCM function	Actuator
Main power window and door lock/unlock switch	Door lock/unlock signal	Door lock/unlock control	Door lock actuator
Power window and door lock/unlock switch			
Front door key cylinder switch			

DOOR LOCK FUNCTION

Functions Available by Operating the Door Lock and Unlock Switches on Driver Door and Passenger Door

- Interlocked with the locking operation of door lock and unlock switch, door lock actuators of all door lock actuators are locked.
- Interlocked with the unlocking operation of door lock and unlock switch, door lock actuators of all door lock actuators are unlocked.

Functions Available by Operating the Key Cylinder Switch on Driver Door

- Interlocked with the locking operation of door key cylinder, door lock actuators of all door lock actuators are locked.

Selective Unlock Operation

- When driver door key cylinder is unlocked, door lock actuator driver side is unlocked.
- When driver door key cylinder is unlocked for the second time within 5 seconds after the first operation, door lock actuators on all doors are unlocked.

Select unlock operation mode can be changed using AUTOMATIC DOOR UNLOCK SELECT mode in "WORK SUPPORT". Refer to [DLK-21, "DOOR LOCK : CONSULT Function \(BCM - DOOR LOCK\)"](#).

Key Reminder System

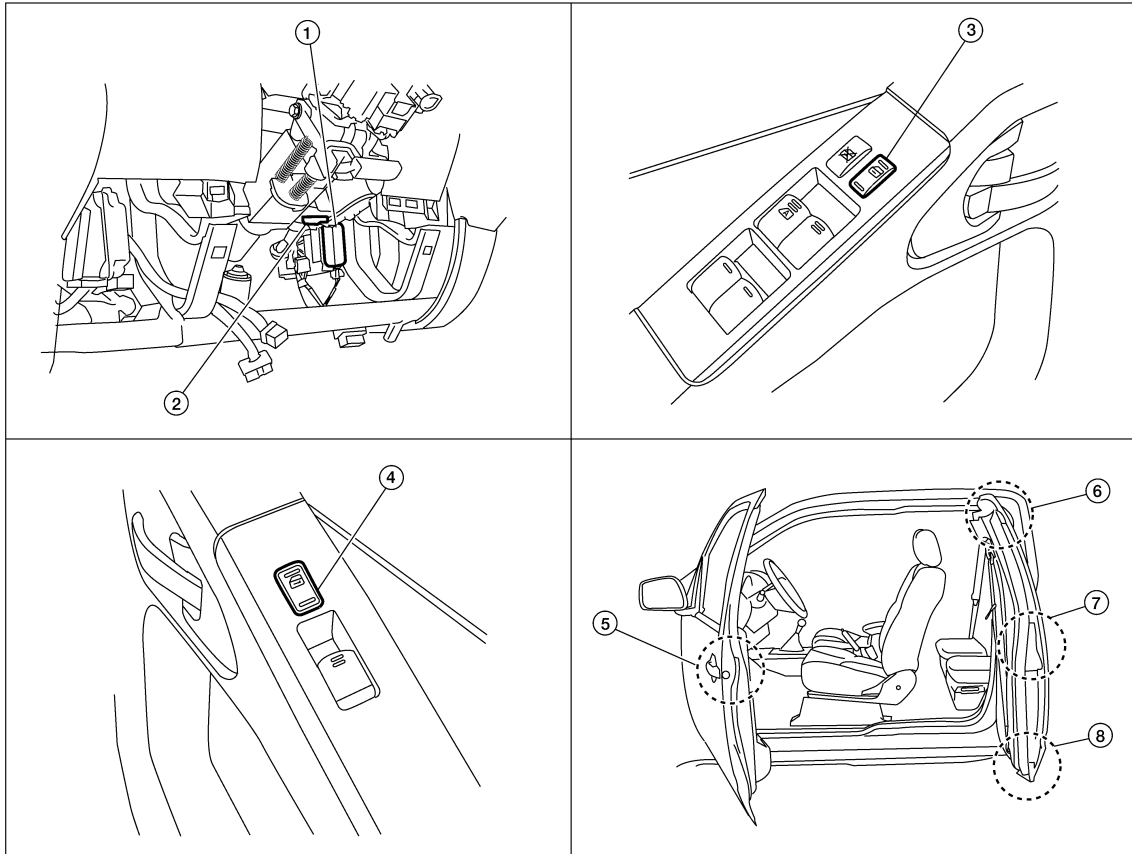
Refer to [DLK-42, "Diagnosis Procedure"](#).

DOOR LOCK FUNCTION

< SYSTEM DESCRIPTION >

DOOR LOCK AND UNLOCK SWITCH : Component Parts Location - King Cab

INFOID:000000007327229



ALKIA1383ZZ

- | | | |
|---|--|---|
| 1. BCM M18, M19, M20
(view with lower instrument panel LH removed) | 2. Key switch M27 | 3. Main power window and door lock/unlock switch D7 |
| 4. Power window and door lock/unlock switch RH D105 | 5. Front door lock assembly LH (key cylinder switch) D14
Front door lock actuator RH D114 | 6. Rear door switch upper LH D211
RH D312 |
| 7. Front door switch
LH D213
RH D314 | 8. Rear door switch lower
LH D212
RH D313 | |

A
B
C
D
E
F
G
H
I
J

DLK

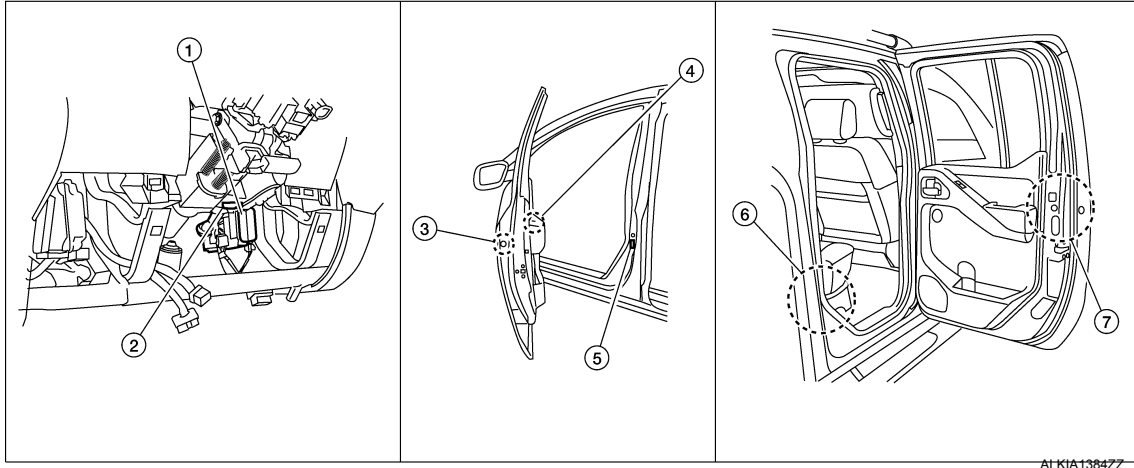
L
M
N
O
P

DOOR LOCK FUNCTION

< SYSTEM DESCRIPTION >

DOOR LOCK AND UNLOCK SWITCH : Component Parts Location - Crew Cab

INFOID:000000007327230



ALKIA1384ZZ

- | | | |
|---|--|--|
| <p>1. BCM M18, M19, M20
(view with lower instrument panel LH removed)</p> <p>4. Main power window and door lock/unlock switch D7
Power window and door lock/unlock switch RH D105</p> <p>7. Rear door lock actuator
LH D205
RH D305</p> | <p>2. Key switch M27</p> <p>5. Front door switch
LH B8
RH B108</p> | <p>3. Front door lock assembly LH (key cylinder switch) D14
Front door lock actuator RH D114</p> <p>6. Rear door switch
LH B18
RH B116</p> |
|---|--|--|

DOOR LOCK AND UNLOCK SWITCH : Component Description

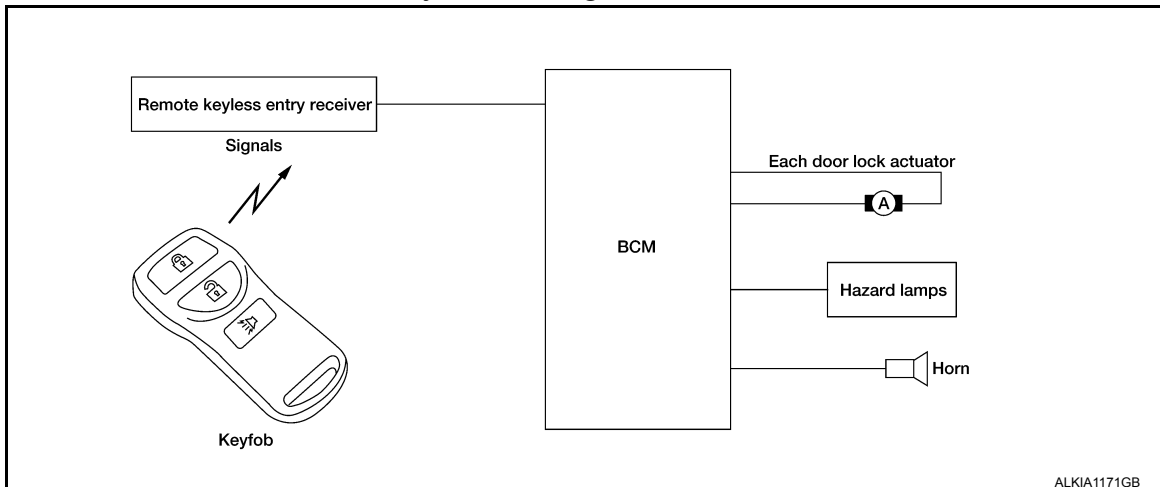
INFOID:000000007327231

Item	Function
BCM	Controls the door lock function and room lamp function.
Door lock and unlock switch	Transmits lock or unlock signal to BCM.
Door lock actuator	Receives lock/unlock signal from BCM and locks/unlocks each door.
Door switch	Transmits door open/close condition to BCM.

REMOTE KEYLESS ENTRY

REMOTE KEYLESS ENTRY : System Diagram

INFOID:000000007327232



ALKIA1171GB

DOOR LOCK FUNCTION

< SYSTEM DESCRIPTION >

REMOTE KEYLESS ENTRY : System Description

INFOID:000000007327233

OPERATED PROCEDURE

- When the keyfob is operated, the signal from the keyfob is sent and the remote keyless entry receiver receives the signal and sends it to the BCM. The BCM only locks/unlocks the doors if the ID number matches. (Remote control entry functions)
- Using the keyfob, the transmitter sends radio waves to the remote keyless entry receiver, which then sends the received waves to the BCM. Only if the ID number matches does the BCM lock/unlock the doors. (Remote control door function)
- Unless the key is inserted into the ignition key cylinder or one of the doors is opened within 1 minute after the UNLOCK switch on the keyfob is pressed, all the doors are automatically locked. (Auto lock function)
- When a door is locked or unlocked, the vehicle turn signal lamps flash and the horn sounds to verify operation. (Active check function)
- When the key is in the ignition key cylinder (when the key switch is ON) and one of the doors is open, the door lock function does not work even when the door lock is operated with the keyfob.
- Keyfob ID set up is available.
- If a keyfob is lost, a new keyfob can be set up. A maximum of 5 IDs can be set up simultaneously.

REMOTE CONTROL ENTRY FUNCTIONS

- When a button on the keyfob is operated, the signal is sent from the keyfob and received by the remote keyless entry receiver.
- The received signal is sent to the BCM and compared with the registered ID number.
- If the ID number matches, the BCM sends the lock/unlock signal to each door lock actuator.
- When the door lock actuators receive this signal, each operates to lock/unlock its door.
- BCM locks all doors with input of LOCK signal from keyfob.
- When an UNLOCK signal is sent from keyfob once, driver's door will be unlocked.
- Then, if an UNLOCK signal is sent from keyfob again within 5 seconds, all other doors will be unlocked.

REMOTE CONTROL ENTRY OPERATION CONDITIONS

Keyfob operation	Operation condition
Door lock operation (locking)	<ul style="list-style-type: none">• With key removed (key switch: OFF)• Closing all doors (door switch: OFF)
Door lock operation (unlocking)	With key removed (key switch: OFF)

AUTO LOCK FUNCTION

Operation Description

- Unless the key is inserted into the ignition key cylinder, one of the doors is opened, or the keyfob is operated within 1 minute after a door lock is unlocked by keyfob operation, all the doors are automatically locked. The 1 minute timer count is executed by the BCM and after 1 minute, the BCM sends the lock signal to all doors. Lock operations are the same as for the remote control entry function.

ACTIVE CHECK FUNCTION

Operation Description

- When a door is locked or unlocked by keyfob operation, the vehicle turn signals flash and the horn sounds to verify operation.
- When a button on the keyfob is operated, the signal is sent from the remote controller and received by the keyless remote entry receiver.
 - The received signal is sent to the BCM and compared with the registered ID number.
 - If the ID number matches, the BCM uses communication to send the turn signal flashing and horn signal to the IPDM E/R.
 - The IPDM E/R flashes the turn signal lamps and sounds the horn for each keyfob operation.

A
B
C
D
E
F
G
H
I
J
L
M
N
O
P

DLK

DOOR LOCK FUNCTION

< SYSTEM DESCRIPTION >

Operating function of hazard and horn reminder

	MODE 1 (C mode)		MODE 2 (S mode)	
	Lock	Unlock	Lock	Unlock
Keyfob operation	Lock	Unlock	Lock	Unlock
Hazard warning lamp flash	Twice	Once	Twice	—
Horn sound	Once	—	—	—

HAZARD AND HORN REMINDER

BCM output to IPDM E/R for horn reminder signal as DATA LINE (CAN-H line and CAN-L line).

The hazard and horn reminder has C mode (horn chirp mode) and S mode (non-horn chirp mode).

How to change hazard and horn reminder mode

Ⓟ With CONSULT

Hazard and horn reminder can be changed using "WORK SUPPORT" mode in "MULTI ANSWER BACK SET".

Refer to [DLK-21, "MULTI REMOTE ENT : CONSULT Function \(BCM - MULTI REMOTE ENT\)"](#).

ⓧ Without CONSULT

Refer to Owner's Manual for instructions.

INTERIOR LAMP OPERATION

When the following input signals are both supplied:

- all door switches are in the OFF position. (when all the doors are closed);
- interior lamp switch is in DOOR position.

Remote keyless entry system turns on interior lamp and ignition keyhole illumination (for 30 seconds) with input of UNLOCK signal from keyfob.

PANIC ALARM OPERATION

When key switch is OFF (when ignition key is not inserted in key cylinder), remote keyless entry system turns on and off horn and headlamp intermittently with input of PANIC ALARM signal from keyfob.

The alarm automatically turns off after 25 seconds or when BCM receives any signal from keyfob.

KEYLESS POWER WINDOW DOWN (OPEN) OPERATION

When keyfob unlock switch is turned ON with ignition switch OFF, and the switch is detected to be ON continuously for more than 1 second, the driver's door and passenger's door power windows are simultaneously opened.

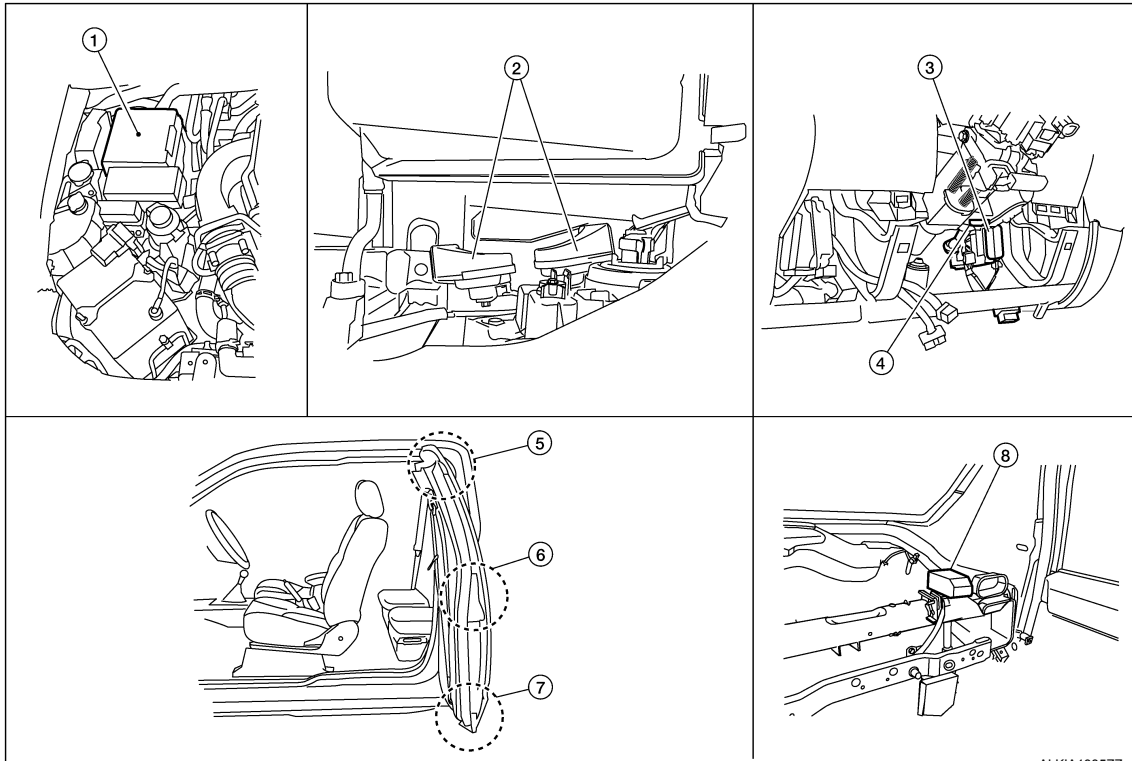
Power window is operated to open and the operation continues as long as the keyfob unlock switch is pressed.

DOOR LOCK FUNCTION

< SYSTEM DESCRIPTION >

REMOTE KEYLESS ENTRY : Component Parts Location - King Cab

INFOID:000000007327234



ALKIA1385ZZ

- | | | |
|---|---|--|
| 1. IPDM E/R E122, E124 | 2. Horns E6 (with dual note horn)
E3, E162 (with single note horn)
(behind front combination lamp LH) | 3. BCM M18, M19, M20
(view with lower instrument panel LH
removed) |
| 4. Key switch M27 | 5. Rear door switch upper
LH D211
RH D312 | 6. Front door switch
LH D213
RH D314 |
| 7. Rear door switch lower
LH D212
RH D313 | 8. Remote keyless entry receiver M120
(view with instrument panel RH re-
moved) | |

A
B
C
D
E
F
G
H
I
J
L
M
N
O
P

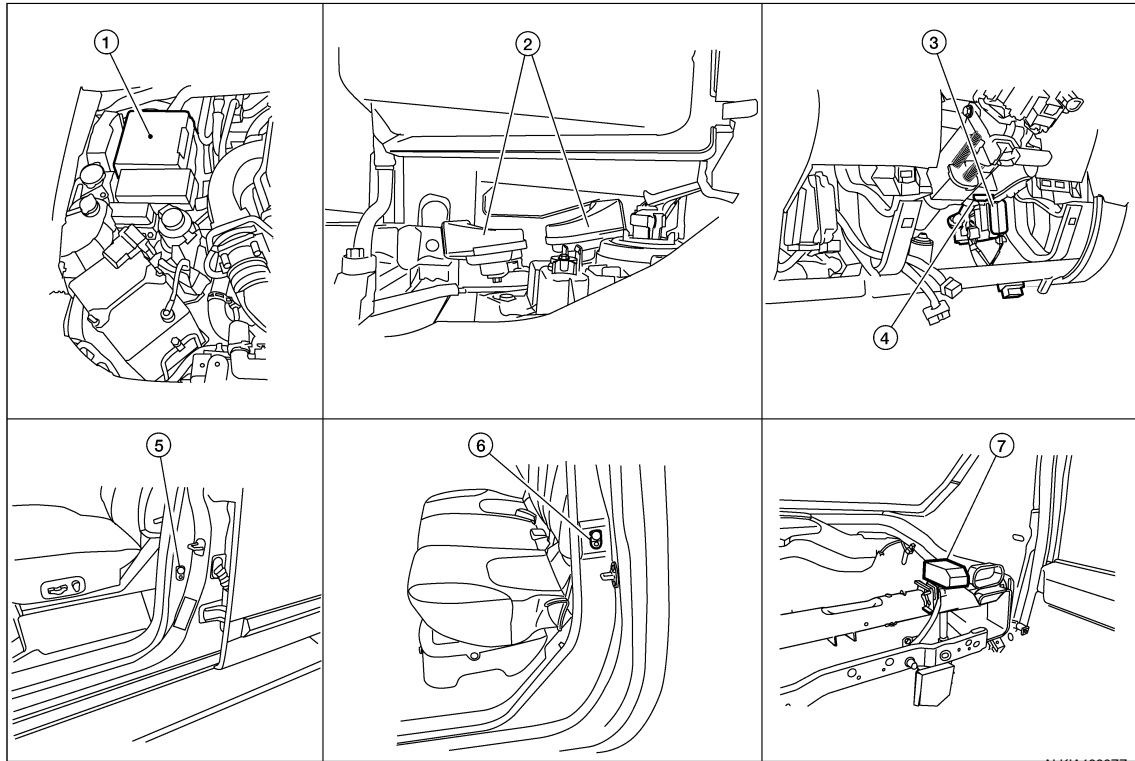
DLK

DOOR LOCK FUNCTION

< SYSTEM DESCRIPTION >

REMOTE KEYLESS ENTRY : Component Parts Location - Crew Cab

INFOID:000000007327235



ALKIAT386ZZ

- | | | |
|---|---|---|
| <p>1. IPDM E/R E122, E124</p> <p>4. Key switch M27</p> <p>7. Remote keyless entry receiver M120
(view with instrument panel RH removed)</p> | <p>2. Horns E6
(behind front combination lamp LH)</p> <p>5. Front door switch
LH B8
RH B108</p> | <p>3. BCM M18, M19, M20
(view with lower instrument lower panel LH removed)</p> <p>6. Rear door switch
LH B18
RH B116</p> |
|---|---|---|

REMOTE KEYLESS ENTRY : Component Description

INFOID:000000007327236

Item	Function
BCM	Controls the door lock function and room lamp function.
Door lock and unlock switch	Transmits lock or unlock signal to BCM.
Door switch	Transmits door open/close condition to BCM.
Remote keyless entry receiver	Receives lock/unlock signal from the keyfob, and then transmits to BCM.

HOMELINK UNIVERSAL TRANSCEIVER

< SYSTEM DESCRIPTION >

HOMELINK UNIVERSAL TRANSCEIVER

Component Description

INFOID:000000007327237

Item	Function	Reference page
Homelink universal transceiver	A maximum of 3 radio signals can be stored and transmitted to operate the garage door, etc.	Refer to Owner's Manual

A
B
C
D
E
F
G
H
I
J
DLK
L
M
N
O
P

DIAGNOSIS SYSTEM (BCM)

< SYSTEM DESCRIPTION >

DIAGNOSIS SYSTEM (BCM)

COMMON ITEM

COMMON ITEM : CONSULT Function (BCM - COMMON ITEM)

INFOID:000000007818514

APPLICATION ITEM

CONSULT performs the following functions via CAN communication with BCM.

Direct Diagnostic Mode	Description
Ecu Identification	The BCM part number is displayed.
Self Diagnostic Result	The BCM self diagnostic results are displayed.
Data Monitor	The BCM input/output data is displayed in real time.
Active Test	The BCM activates outputs to test components.
Work support	The settings for BCM functions can be changed.
Configuration	<ul style="list-style-type: none"> • The vehicle specification can be read and saved. • The vehicle specification can be written when replacing BCM.
CAN Diag Support Mntr	The result of transmit/receive diagnosis of CAN communication is displayed.

SYSTEM APPLICATION

BCM can perform the following functions.

System	Sub System	Direct Diagnostic Mode						
		Ecu Identification	Self Diagnostic Result	Data Monitor	Active Test	Work support	Configuration	CAN Diag Support Mntr
Door lock	DOOR LOCK			x	x	x		
Rear window defogger	REAR DEFOGGER			x	x			
Warning chime	BUZZER			x	x			
Interior room lamp timer	INT LAMP			x	x	x		
Remote keyless entry system	MULTI REMOTE ENT			x	x	x		
Exterior lamp	HEAD LAMP			x	x	x		
Wiper and washer	WIPER			x	x	x		
Turn signal and hazard warning lamps	FLASHER			x	x			
Air conditioner	AIR CONDITIONER			x				
Combination switch	COMB SW			x				
BCM	BCM	x	x			x	x	x
Immobilizer	IMMU		x	x	x			
Interior room lamp battery saver	BATTERY SAVER			x	x	x		
Vehicle security system	THEFT ALM			x	x	x		
RAP system	RETAINED PWR			x	x	x		
Signal buffer system	SIGNAL BUFFER			x	x			
TPMS	AIR PRESSURE MONITOR		x	x	x	x		
Panic alarm system	PANIC ALARM				x			

DOOR LOCK

DIAGNOSIS SYSTEM (BCM)

< SYSTEM DESCRIPTION >

DOOR LOCK : CONSULT Function (BCM - DOOR LOCK)

INFOID:000000007818515

DATA MONITOR

Monitor Item [Unit]	Description
IGN ON SW [On/Off]	Indicates condition of ignition switch ON position.
KEY ON SW [On/Off]	Indicates condition of key switch.
CDL LOCK SW [On/Off]	Indicates condition of lock signal from door lock and unlock switch.
CDL UNLOCK SW [On/Off]	Indicates condition of unlock signal from door lock and unlock switch.
DOOR SW-DR [On/Off]	Indicates condition of front door switch LH.
DOOR SW-AS [On/Off]	Indicates condition of front door switch RH.
DOOR SW-RR [On/Off]	Indicates condition of rear door switch RH.
DOOR SW-RL [On/Off]	Indicates condition of rear door switch LH.
KEY CYL LK-SW [On/Off]	Indicates condition of lock signal from door key cylinder switch.
KEY CYL UN-SW [On/Off]	Indicates condition of unlock signal from door key cylinder switch.
KEYLESS LOCK [On/Off]	Indicates condition of lock signal from keyfob.
KEYLESS UNLOCK [On/Off]	Indicates condition of unlock signal from keyfob.

ACTIVE TEST

Test Item	Description
DOOR LOCK	This test is able to check door lock operation [OTR ULK/DR UNLK/ALL ULK/ALL LCK].

WORK SUPPORT

Support Item	Setting	Description
DOOR LOCK-UNLOCK SET	On*	Automatic door locks function ON.
	Off	Automatic door locks function OFF.
ANTI-LOCK OUT SET	Off	Anti lock out function OFF.
	On*	Anti lock out function ON.
AUTOMATIC DOOR LOCK SELECT	SHIFT OUT OF P	Doors lock automatically when shifted out of park (P).
	VH SPD*	Doors lock automatically when vehicle speed reaches 24 km/h (15 mph).
AUTOMATIC DOOR UNLOCK SELECT	MODE6	Drivers door unlocks automatically when key is removed.
	MODE5	Drivers door unlocks automatically when shifted into park (P).
	MODE4	Drivers door unlocks automatically when ignition is switched from ON to OFF.
	MODE3	Doors unlock automatically when key is removed.
	MODE2*	Doors unlock automatically when shifted into park (P).
AUTOMATIC LOCK/UNLOCK SELECT	On	Automatic lock/unlock function ON.
	Off*	Automatic lock/unlock function OFF.

* : Initial setting

MULTI REMOTE ENT

MULTI REMOTE ENT : CONSULT Function (BCM - MULTI REMOTE ENT)

INFOID:000000007818516

DATA MONITOR

A
B
C
D
E
F
G
H
I
J
K
L
M
N
O
P

DLK

DIAGNOSIS SYSTEM (BCM)

< SYSTEM DESCRIPTION >

Monitor Item [Unit]	Description
IGN ON SW [On/Off]	Indicates condition of ignition switch ON position.
KEY ON SW [On/Off]	Indicates condition of key switch.
ACC ON SW [On/Off]	Indicates condition of ignition switch ACC position.
KEYLESS LOCK [On/Off]	Indicates condition of lock signal from keyfob.
KEYLESS UNLOCK [On/Off]	Indicates condition of unlock signal from keyfob.
KEYLESS PANIC [On/Off]	Indicates condition of panic signal from keyfob.
DOOR SW-DR [On/Off]	Indicates condition of front door switch LH.
DOOR SW-AS [On/Off]	Indicates condition of front door switch RH.
DOOR SW-RR [On/Off]	Indicates condition of rear door switch RH.
DOOR SW-RL [On/Off]	Indicates condition of rear door switch LH.
CDL LOCK SW [On/Off]	Indicates condition of lock signal from door lock and unlock switch.
CDL UNLOCK SW [On/Off]	Indicates condition of unlock signal from door lock and unlock switch.
KEY CYL LK SW [On/Off]	Indicates condition of lock signal from door key cylinder switch.

ACTIVE TEST

Test Item	Description
DOOR LOCK	This test is able to check door lock operation [OTR ULK/DR UNLK/ALL ULK/ALL LCK].
FLASHER	This test is able to check hazard reminder operation [Off/LH/RH].
HORN	This test is able to check horn operation [On].

WORK SUPPORT

Support Item	Setting	Description	
HORN CHIRP SET	Off	Horn chirp function can be changed in this mode.	
	On*		
HAZARD LAMP SET	MODE4*	Lock and Unlock	Hazard warning lamp function can be changed in this mode.
	MODE3	Lock Only	
	MODE2	Unlock Only	
	MODE1	OFF	
MULTI ANSWER BACK SET	MODE2*	Lock	Hazard warning lamps flash twice and horn does not sound.
		Unlock	Hazard warning lamps do not flash and horn does not sound.
	MODE1	Lock	Hazard warning lamps flash twice and horn sounds once.
		Unlock	Hazard warning lamps flash once and horn does not sound.
AUTO LOCK SET	MODE3	1 min	Auto locking function can be changed in this mode.
	MODE2	OFF	
	MODE1*	5 min	
PANIC ALRM SET	MODE3	1.5 sec	Panic alarm operation can be changed in this mode.
	MODE2	OFF	
	MODE1*	0.5 sec	
REMO CONT ID REGIST	—	Keyfob ID code can be registered.	
REMO CONT ID ERASUR	—	Keyfob ID code can be erased.	
REMO CONT ID CONFIR	—	Keyfob ID code registration is displayed.	

*: Initial setting

U1000 CAN COMM CIRCUIT

< DTC/CIRCUIT DIAGNOSIS >

DTC/CIRCUIT DIAGNOSIS

U1000 CAN COMM CIRCUIT

Description

INFOID:000000007327241

Refer to [LAN-48, "CAN Communication Signal Chart"](#).

DTC Logic

INFOID:000000007327242

DTC DETECTION LOGIC

DTC	CONSULT display description	DTC Detection Condition	Possible cause
U1000	CAN COMM CIRCUIT	When BCM cannot communicate CAN communication signal continuously for 2 seconds or more.	Any item (or items) of the following listed below is malfunctioning in CAN communication system. <ul style="list-style-type: none">• Transmission• Receiving (ECM)• Receiving (METER/M&A)• Receiving (TCM)• Receiving (IPDM E/R)

Diagnosis Procedure

INFOID:000000007327243

1. PERFORM SELF DIAGNOSTIC

1. Turn ignition switch ON and wait for 2 seconds or more.
2. Check "Self Diagnostic Result" of BCM.

Is "CAN COMM CIRCUIT" displayed?

- YES >> Refer to [LAN-14, "Trouble Diagnosis Flow Chart"](#).
NO >> Refer to [GI-46, "Intermittent Incident"](#).

A
B
C
D
E
F
G
H
I
J
L
M
N
O
P

DLK

U1010 CONTROL UNIT (CAN)

< DTC/CIRCUIT DIAGNOSIS >

U1010 CONTROL UNIT (CAN)

DTC Logic

INFOID:000000007327244

DTC DETECTION LOGIC

DTC	CONSULT display description	DTC Detection Condition	Possible cause
U1010	CONTROL UNIT (CAN)	BCM detected internal CAN communication circuit malfunction.	BCM

Diagnosis Procedure

INFOID:000000007327245

1. REPLACE BCM

When DTC [U1010] is detected, replace BCM.

>> Replace BCM. Refer to [BCS-49. "Removal and Installation"](#).

Special Repair Requirement

INFOID:000000007327246

1. REQUIRED WORK WHEN REPLACING BCM

The BCM must be initialized when replaced. Refer to (Body Control System) for BCM configuration. Initialize NVIS by CONSULT. Refer to CONSULT Immobilizer mode and follow the on-screen instructions.

>> Work End.

POWER SUPPLY AND GROUND CIRCUIT

< DTC/CIRCUIT DIAGNOSIS >

POWER SUPPLY AND GROUND CIRCUIT

Diagnosis Procedure

INFOID:000000007818517

Regarding Wiring Diagram information, refer to [BCS-43. "Wiring Diagram"](#).

1. CHECK FUSES AND FUSIBLE LINK

Check that the following fuses and fusible link are not blown.

Terminal No.	Signal name	Fuses and fusible link No.
57	Battery power supply	21 (10A)
70		G (50A)
11	Ignition ACC or ON	4 (10A)
38	Ignition ON or START	1 (10A)

Is the fuse blown?

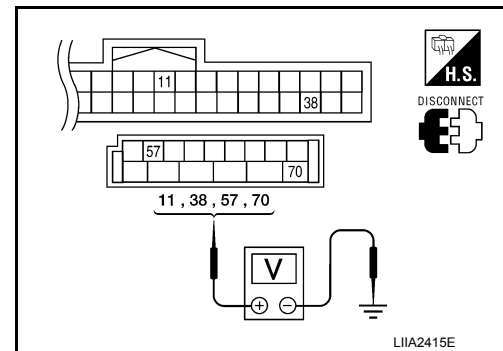
YES >> Replace the blown fuse or fusible link after repairing the affected circuit.

NO >> GO TO 2

2. CHECK POWER SUPPLY CIRCUIT

1. Turn ignition switch OFF.
2. Disconnect BCM.
3. Check voltage between BCM harness connector and ground.

Connector	Terminals		Power source	Condition	Voltage (V) (Approx.)
	(+)	(-)			
M18	11	Ground	ACC power supply	Ignition switch ACC or ON	Battery voltage
	38	Ground	Ignition power supply	Ignition switch ON or START	Battery voltage
M20	57	Ground	Battery power supply	Ignition switch OFF	Battery voltage
	70	Ground	Battery power supply	Ignition switch OFF	Battery voltage



Is the measurement value normal?

YES >> GO TO 3

NO >> Repair or replace harness.

3. CHECK GROUND CIRCUIT

A
B
C
D
E
F
G
H
I
J
DLK
L
M
N
O
P

POWER SUPPLY AND GROUND CIRCUIT

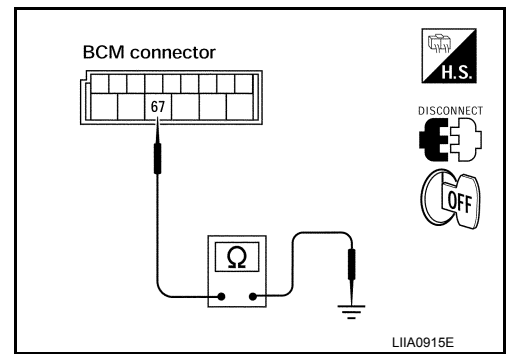
< DTC/CIRCUIT DIAGNOSIS >

Check continuity between BCM harness connector and ground.

BCM		Ground	Continuity
Connector	Terminal		
M20	67		Yes

Does continuity exist?

- YES >> Inspection End.
- NO >> Repair or replace harness.



DOOR SWITCH

< DTC/CIRCUIT DIAGNOSIS >

DOOR SWITCH

KING CAB

KING CAB : Description

INFOID:000000007327248

Detects door open/close condition.

KING CAB : Component Function Check

INFOID:000000007327249

1.CHECK FUNCTION

With CONSULT

Check door switches in Data Monitor mode with CONSULT.

Monitor item	Condition
DOOR SW-DR	CLOSE → OPEN: OFF → ON
DOOR SW-AS	

Is the inspection result normal?

YES >> Door switch is OK.

NO >> Refer to [DLK-27. "KING CAB : Diagnosis Procedure"](#).

KING CAB : Diagnosis Procedure

INFOID:000000007327250

Regarding Wiring Diagram information, refer to [DLK-77. "Wiring Diagram - King Cab"](#).

1.CHECK DOOR SWITCHES INPUT SIGNAL

With CONSULT

Check door switches ("DOOR SW-DR", "DOOR SW-AS") in DATA MONITOR mode with CONSULT. Refer to [DLK-21. "DOOR LOCK : CONSULT Function \(BCM - DOOR LOCK\)"](#).

• When any doors are open:

DOOR SW-DR :ON

DOOR SW-AS :ON

• When any doors are closed:

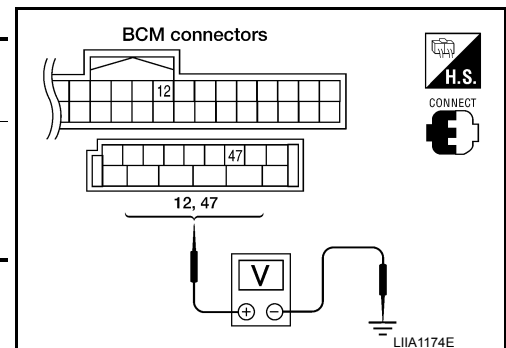
DOOR SW-DR :OFF

DOOR SW-AS :OFF

Without CONSULT

Check voltage between BCM connector M18 or M19 terminals 12, 47 and ground.

Connector	Item	Terminals		Condition	Voltage (V) (Approx.)
		(+)	(-)		
M19	Door switches LH	47	Ground	Open	0
M18	Door switches RH	12		Closed	Battery voltage



Is the inspection result normal?

YES >> Door switch circuit is OK.

NO >> GO TO 2

2.CHECK BCM OUTPUT VOLTAGE

A
B
C
D
E
F
G
H
I
J
L
M
N
O
P

DLK

DOOR SWITCH

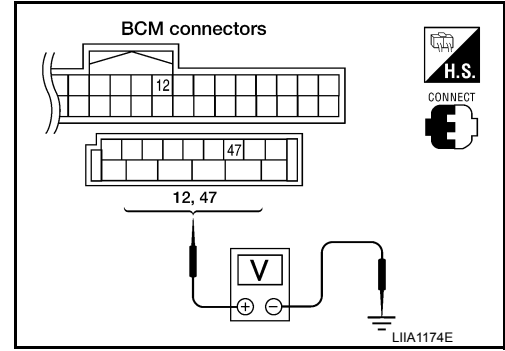
< DTC/CIRCUIT DIAGNOSIS >

1. Turn ignition switch OFF.
2. Disconnect door switches.
3. Check voltage between BCM connector M18, M19 terminals 12, 47 and ground.

12 - Ground : Battery voltage
47 - Ground : Battery voltage

Is the inspection result normal?

- YES >> GO TO 3
 NO >> Replace BCM. Refer to [BCS-49, "Removal and Installation"](#).



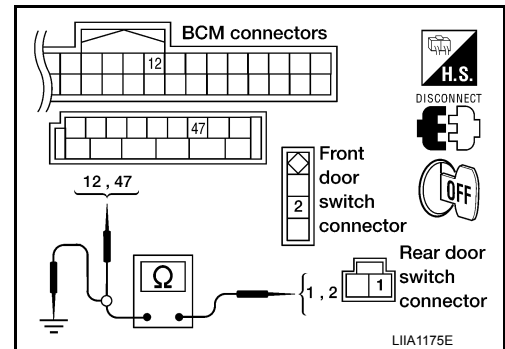
3. CHECK DOOR SWITCH CIRCUIT

1. Disconnect BCM.
2. Check continuity between door switch connector D213 (Front LH), D314 (Front RH) terminal 2, D211 (Rear upper LH), D312 (Rear upper RH), D212 (Rear lower LH), D313 (Rear lower RH) terminal 1 and BCM connector M18, M19 terminals 12, and 47.

2 - 47 : Continuity should exist
2 - 12 : Continuity should exist
1 - 47 : Continuity should exist
1 - 12 : Continuity should exist

3. Check continuity between door switch connector D213 (Front LH), D314 (Front RH) terminal 2, D211 (Rear upper LH), D312 (Rear upper RH), D212 (Rear lower LH), D313 (Rear lower RH) terminal 1 and ground.

2 - Ground : Continuity should not exist
1 - Ground : Continuity should not exist



Is the inspection result normal?

- YES >> GO TO 4
 NO >> Repair or replace harness.

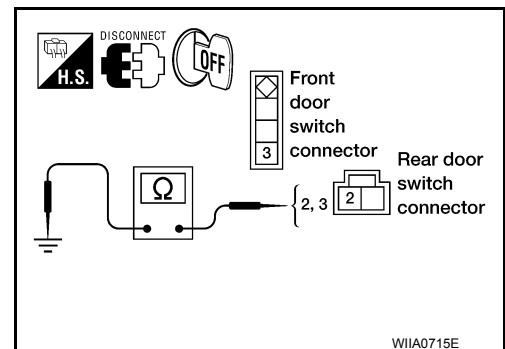
4. CHECK DOOR SWITCHES GROUND CIRCUIT

Check continuity between door switch connector D213 (Front LH), D314 (Front RH) terminal 3, D211 (Rear upper LH), D312 (Rear upper RH), D212 (Rear lower LH), D313 (Rear lower RH) terminal 2 and ground.

3 - Ground : Continuity should exist
2 - Ground : Continuity should exist

Is the inspection result normal?

- YES >> GO TO 5
 NO >> Repair or replace harness.



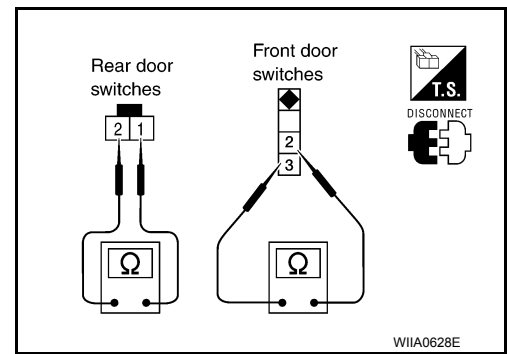
5. CHECK DOOR SWITCHES

Check continuity between door switch terminals.

DOOR SWITCH

< DTC/CIRCUIT DIAGNOSIS >

Item	Terminal	Condition	Continuity
Door switches (front)	2 - 3	Open	Yes
		Closed	No
Door switches (rear upper and lower)	1 - 2	Open	Yes
		Closed	No



Is the inspection result normal?

- YES >> Check condition of harness and connector.
- NO >> Replace door switch.

CREW CAB

CREW CAB : Description

INFOID:000000007327251

Detects door open/close condition.

CREW CAB : Component Function Check

INFOID:000000007327252

1. CHECK FUNCTION

With CONSULT

Check door switches in Data Monitor mode with CONSULT.

Monitor item	Condition
DOOR SW-DR	CLOSE → OPEN: OFF → ON
DOOR SW-AS	
DOOR SW-RL	
DOOR SW-RR	

Is the inspection result normal?

- YES >> Door switch is OK.
- NO >> Refer to [DLK-29. "CREW CAB : Diagnosis Procedure"](#).

CREW CAB : Diagnosis Procedure

INFOID:000000007327253

Regarding Wiring Diagram information, refer to [DLK-87. "Wiring Diagram - Crew Cab"](#).

1. CHECK DOOR SWITCHES INPUT SIGNAL

With CONSULT

Check door switches ("DOOR SW-DR", "DOOR SW-AS", "DOOR SW-RL", "DOOR SW-RR") in DATA MONITOR mode with CONSULT. Refer to [DLK-21. "DOOR LOCK : CONSULT Function \(BCM - DOOR LOCK\)"](#).

• When any doors are open:

DOOR SW-DR : ON
DOOR SW-AS : ON
DOOR SW-RL : ON
DOOR SW-RR : ON

• When any doors are closed:

DOOR SW-DR : OFF
DOOR SW-AS : OFF
DOOR SW-RL : OFF
DOOR SW-RR : OFF

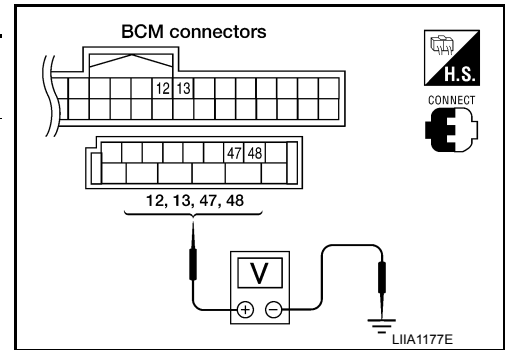
DOOR SWITCH

< DTC/CIRCUIT DIAGNOSIS >

Without CONSULT

Check voltage between BCM connector M18 or M19 terminals 12, 13, 47, 48 and ground.

Connector	Item	Terminals		Condition	Voltage (V) (Approx.)
		(+)	(-)		
M19	Front door switch LH	47	Ground	Open ↓ Closed	0 ↓ Battery voltage
	Rear door switch LH	48			
M18	Front door switch RH	12			
	Rear door switch RH	13			



Is the inspection result normal?

- YES >> Door switch circuit is OK.
NO >> GO TO 2

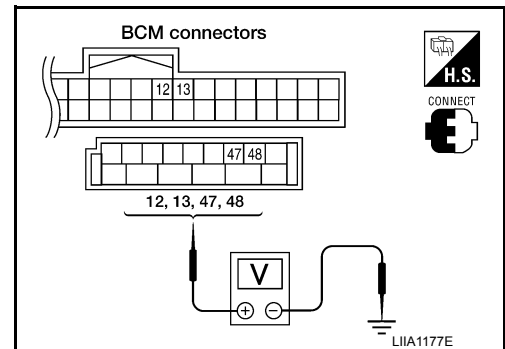
2. CHECK BCM OUTPUT VOLTAGE

- Turn ignition switch OFF.
- Disconnect door switches.
- Check voltage between BCM connector M18, M19 terminals 12, 13, 47, 48 and ground.

12 - Ground : Battery voltage
13 - Ground : Battery voltage
47 - Ground : Battery voltage
48 - Ground : Battery voltage

Is the inspection result normal?

- YES >> GO TO 3
NO >> Replace BCM. Refer to [BCS-49, "Removal and Installation"](#).



3. CHECK DOOR SWITCH CIRCUIT

- Disconnect door switch and BCM.
- Check continuity between door switch connector B8 (Front LH), B108 (Front RH), B18 (Rear LH), B116 (Rear RH) terminal 2 and BCM connector M18, M19 terminals 12, 13, 47 and 48.

2 - 47 : Continuity should exist.
2 - 12 : Continuity should exist.
2 - 48 : Continuity should exist.
2 - 13 : Continuity should exist.

- Check continuity between door switch connector B8 (Front LH), B108 (Front RH), B18 (Rear LH), B116 (Rear RH) terminal 2 and ground.

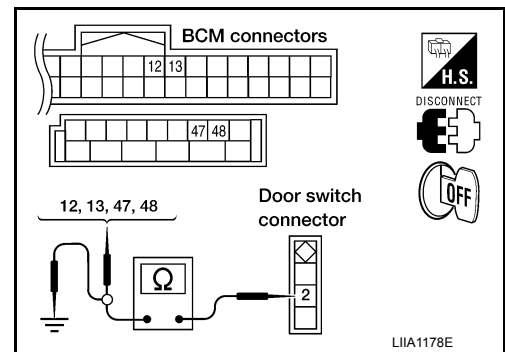
2 - Ground : Continuity should not exist.

Is the inspection result normal?

- YES >> GO TO 4
NO >> Repair or replace harness.

4. CHECK DOOR SWITCHES

- Disconnect door switch.
- Check continuity between door switch terminals.



DOOR SWITCH

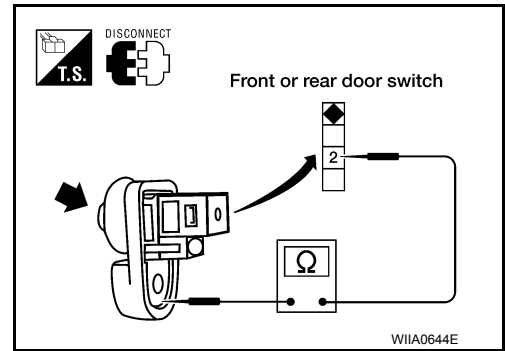
< DTC/CIRCUIT DIAGNOSIS >

	Terminal	Condition	Continuity
Door switch	2 – Ground	Open	Yes
		Closed	No

Is the inspection result normal?

YES >> Check switch case ground condition.

NO >> Replace door switch.



A
B
C
D
E
F
G
H
I
J
L
M
N
O
P

DLK

DOOR LOCK AND UNLOCK SWITCH

< DTC/CIRCUIT DIAGNOSIS >

DOOR LOCK AND UNLOCK SWITCH KING CAB

KING CAB : Description

INFOID:000000007327254

Transmits door lock/unlock operation to BCM.

KING CAB : Component Function Check

INFOID:000000007327255

1. CHECK FUNCTION

With CONSULT

Check CDL LOCK SW, CDL UNLOCK SW in Data Monitor mode with CONSULT.

Monitor item	Condition
CDL LOCK SW	LOCK : ON
	UNLOCK : OFF
CDL UNLOCK SW	LOCK : OFF
	UNLOCK : ON

Is the inspection result normal?

- YES >> Door lock and unlock switch is OK.
- NO >> refer to [DLK-32, "KING CAB : Diagnosis Procedure"](#).

KING CAB : Diagnosis Procedure

INFOID:000000007327256

Regarding Wiring Diagram information, refer to [DLK-77, "Wiring Diagram - King Cab"](#).

1. CHECK DOOR LOCK/UNLOCK SWITCH INPUT SIGNAL

With CONSULT-III

Check door lock/unlock switch ("CDL LOCK SW", "CDL UNLOCK SW") in DATA MONITOR mode in CONSULT-III. Refer to [DLK-21, "DOOR LOCK : CONSULT Function \(BCM - DOOR LOCK\)"](#).

- When door lock/unlock switch is turned to LOCK:

CDL LOCK SW : ON

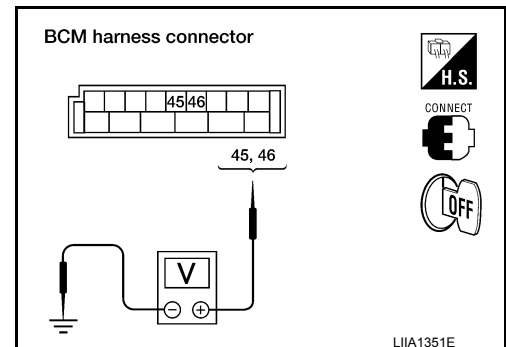
- When door lock/unlock switch is turned to UNLOCK:

CDL UNLOCK SW : ON

Without CONSULT-III

Check voltage between BCM connector M19 terminals 45, 46 and ground.

Connector	Terminals		Condition	Voltage (V) (Approx.)
	(+)	(-)		
M19	46	Ground	Door lock/unlock switch is neutral.	Battery voltage
			Door lock/unlock switch is turned to UNLOCK.	0
	45	Ground	Door lock/unlock switch is neutral.	Battery voltage
			Door lock/unlock switch is turned to LOCK.	0



Is the inspection result normal?

DOOR LOCK AND UNLOCK SWITCH

< DTC/CIRCUIT DIAGNOSIS >

- YES >> Door lock/unlock switch circuit is OK.
 NO >> GO TO 2

2.CHECK DOOR LOCK/UNLOCK SWITCH

1. Turn ignition switch OFF.
2. Disconnect door lock/unlock switch.
3. Check continuity between main power window and door lock/unlock switch terminals 10, 11 and 14.

Terminal	Condition	Continuity
10	Lock	Yes
	Unlock/Neutral	No
11	Unlock	Yes
	Lock/Neutral	No

4. Check continuity between power window and door lock/unlock switch RH terminals 1, 2 and 3.

Terminal	Condition	Continuity
1	Lock	Yes
	Unlock/Neutral	No
2	Unlock	Yes
	Lock/Neutral	No

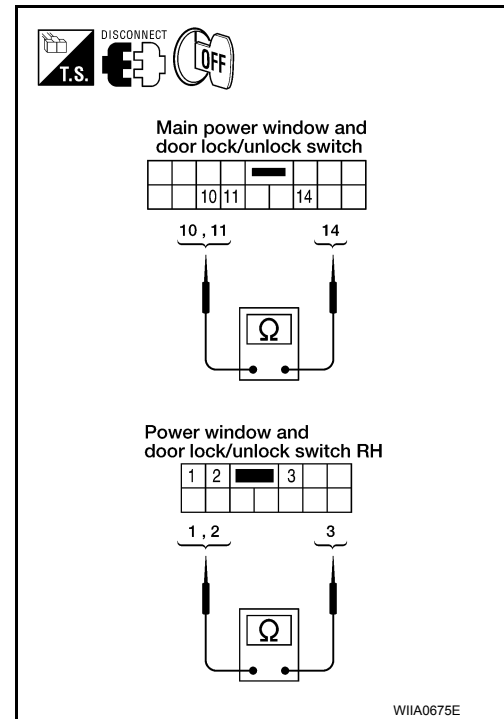
Is the inspection result normal?

- YES >> GO TO 3
 NO >> Replace door lock/unlock switch.

3.CHECK DOOR LOCK/UNLOCK SWITCH GROUND HARNESS

1. Disconnect main power window and door lock/unlock switch or power window and door lock/unlock switch RH.
2. Check continuity between main power window and door lock/unlock switch connector D7 terminal 14 and ground.

14 - Ground : Continuity should exist.

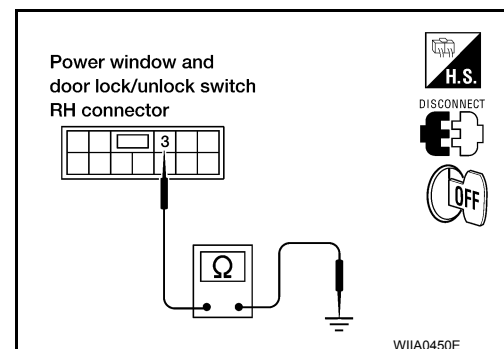
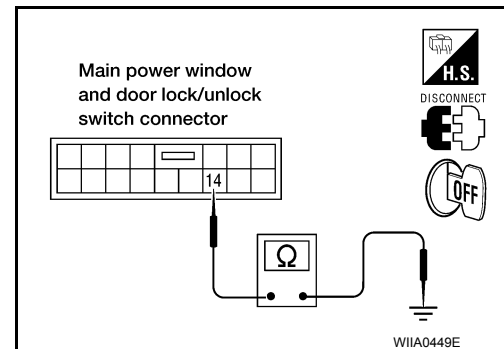


3. Check continuity between power window and door lock/unlock switch RH connector D105 terminal 3 and ground

3 - Ground : Continuity should exist.

Is the inspection result normal?

- YES >> GO TO 4
 NO >> Repair or replace harness.



4.CHECK DOOR LOCK SWITCH CIRCUIT

1. Disconnect BCM.

A
B
C
D
E
F
G
H
I
J
L
M
N
O
P

DLK

DOOR LOCK AND UNLOCK SWITCH

< DTC/CIRCUIT DIAGNOSIS >

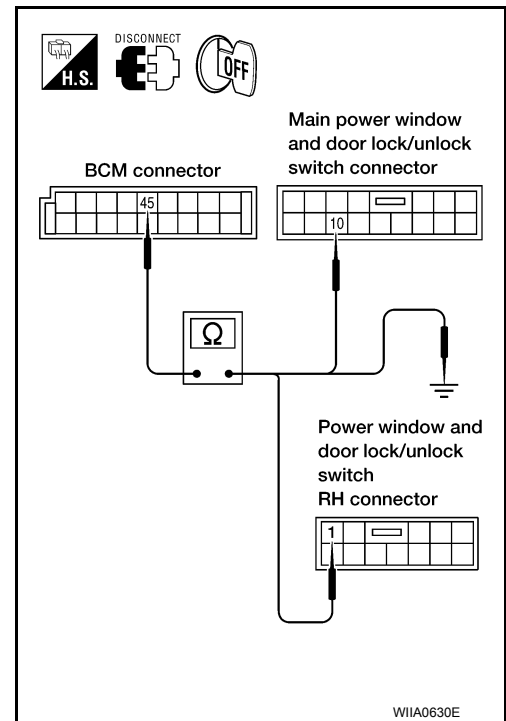
- Check continuity between BCM connector M19 terminal 45 and main power window and door lock/unlock switch connector D7 terminal 10 or power window and door lock/unlock switch RH connector D105 terminal 1.

1 - 45 : Continuity should exist.

10 - 45 : Continuity should exist.

- Check continuity between BCM connector M19 terminal 45 and ground.

45 - Ground : Continuity should not exist.



- Check continuity between BCM connector M19 terminal 46 and main power window and door lock/unlock switch LH connector D7 terminal 11 or power window and door lock/unlock switch RH connector D105 terminal 2.

2 - 46 : Continuity should exist.

11 - 46 : Continuity should exist.

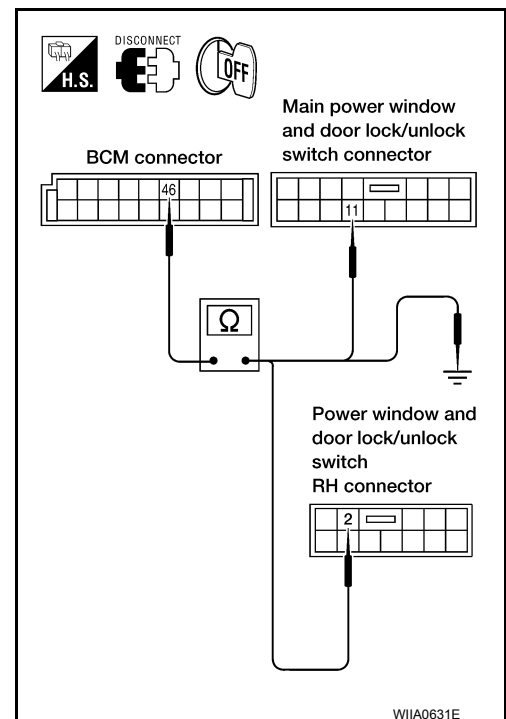
- Check continuity between BCM connector M19 terminal 46 and ground.

46 - Ground : Continuity should not exist.

Is the inspection result normal?

YES >> GO TO 5

NO >> Repair or replace harness.



5. CHECK BCM OUTPUT VOLTAGE

- Connect BCM.

DOOR LOCK AND UNLOCK SWITCH

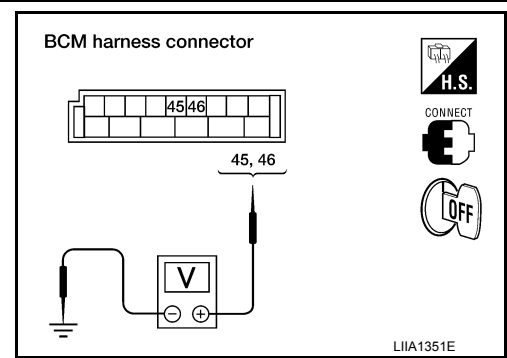
< DTC/CIRCUIT DIAGNOSIS >

2. Check voltage between BCM connector M19 terminals 45, 46 and ground.

45 - Ground : Battery voltage
46 - Ground : Battery voltage

Is the inspection result normal?

- YES >> Check condition of the harness and connector.
- NO >> Replace BCM. Refer to [BCS-49, "Removal and Installation"](#).



CREW CAB

CREW CAB : Description

INFOID:000000007327257

Transmits door lock/unlock operation to BCM.

CREW CAB : Component Function Check

INFOID:000000007327258

1.CHECK FUNCTION

With CONSULT

Check CDL LOCK SW, CDL UNLOCK SW in Data Monitor mode with CONSULT.

Monitor item	Condition
CDL LOCK SW	LOCK : ON
	UNLOCK : OFF
CDL UNLOCK SW	LOCK : OFF
	UNLOCK : ON

Is the inspection result normal?

- YES >> Door lock and unlock switch is OK.
- NO >> Refer to [DLK-35, "CREW CAB : Diagnosis Procedure"](#).

CREW CAB : Diagnosis Procedure

INFOID:000000007327259

Regarding Wiring Diagram information, refer to [DLK-87, "Wiring Diagram - Crew Cab"](#).

1.CHECK DOOR LOCK/UNLOCK SWITCH INPUT SIGNAL

With CONSULT

Check door lock/unlock switch ("CDL LOCK SW", "CDL UNLOCK SW") in DATA MONITOR mode in CONSULT. Refer to [DLK-21, "DOOR LOCK : CONSULT Function \(BCM - DOOR LOCK\)"](#).

- When door lock/unlock switch is turned to LOCK:

CDL LOCK SW : ON

- When door lock/unlock switch is turned to UNLOCK:

CDL UNLOCK SW : ON

Without CONSULT

Check voltage between BCM connector M19 terminals 45, 46 and ground.

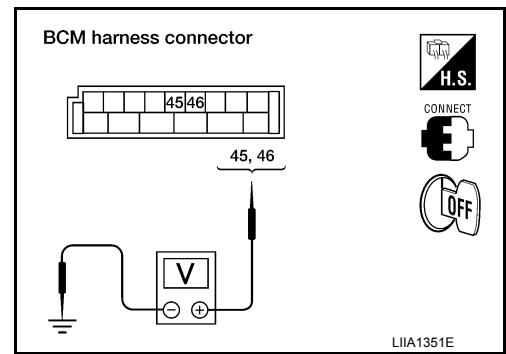
A
B
C
D
E
F
G
H
I
J
L
M
N
O
P

DLK

DOOR LOCK AND UNLOCK SWITCH

< DTC/CIRCUIT DIAGNOSIS >

Connector	Terminals		Condition	Voltage (V) (Approx.)
	(+)	(-)		
M19	46	Ground	Door lock/unlock switch is neutral.	Battery voltage
			Door lock/unlock switch is turned to UNLOCK.	0
	45	Ground	Door lock/unlock switch is neutral.	Battery voltage
			Door lock/unlock switch is turned to LOCK.	0



Is the inspection result normal?

YES >> Door lock/unlock switch circuit is OK.

NO >> GO TO 2

2. CHECK DOOR LOCK/UNLOCK SWITCH

1. Turn ignition switch OFF.
2. Disconnect door lock/unlock switch.
3. Check continuity between main power window and door lock/unlock switch terminals 10, 11 and 14.

Terminal	Condition	Continuity
10	Lock	Yes
	Unlock/Neutral	No
11	Unlock	Yes
	Lock/Neutral	No

4. Check continuity between power window and door lock/unlock switch RH terminals 1, 2 and 3.

Terminal	Condition	Continuity
1	Lock	Yes
	Unlock/Neutral	No
2	Unlock	Yes
	Lock/Neutral	No

Is the inspection result normal?

YES >> GO TO 3

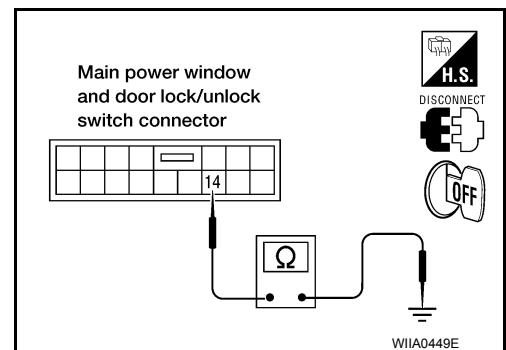
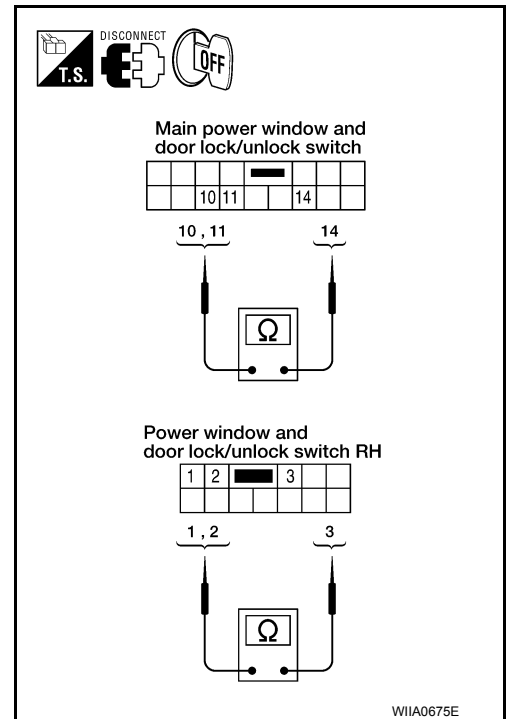
NO >> Replace door lock/unlock switch.

3. CHECK DOOR LOCK/UNLOCK SWITCH GROUND HARNESS

1. Disconnect main power window and door lock/unlock switch or power window and door lock/unlock switch RH.
2. Check continuity between main power window and door lock/unlock switch connector D7 terminal 14 and ground.

14 - Ground

: Continuity should exist.



DOOR LOCK AND UNLOCK SWITCH

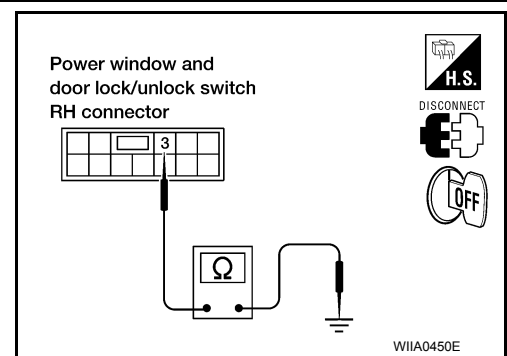
< DTC/CIRCUIT DIAGNOSIS >

3. Check continuity between power window and door lock/unlock switch RH connector D105 terminal 3 and ground

3 - Ground : Continuity should exist.

Is the inspection result normal?

- YES >> GO TO 4
 NO >> Repair or replace harness.



4. CHECK DOOR LOCK SWITCH CIRCUIT

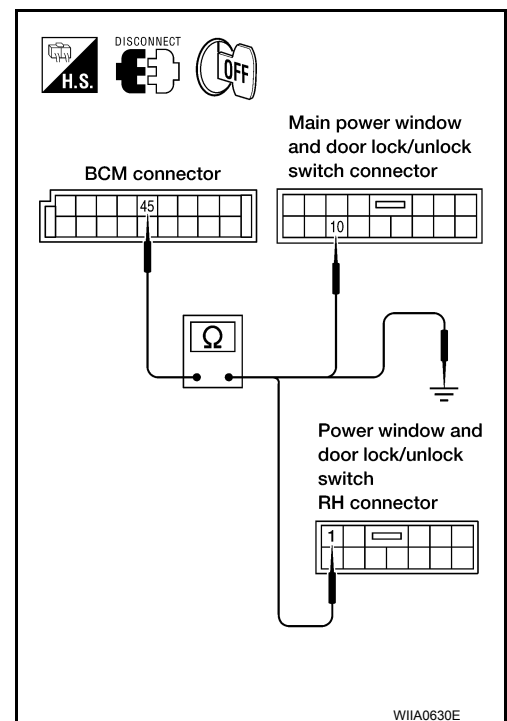
1. Disconnect BCM.
2. Check continuity between BCM connector M19 terminal 45 and main power window and door lock/unlock switch connector D7 terminal 10 or power window and door lock/unlock switch RH connector D105 terminal 1.

1 - 45 : Continuity should exist.

10 - 45 : Continuity should exist.

3. Check continuity between BCM connector M19 terminal 45 and ground.

45 - Ground : Continuity should not exist.



4. Check continuity between BCM connector M19 terminal 46 and main power window and door lock/unlock switch LH connector D7 terminal 11 or power window and door lock/unlock switch RH connector D105 terminal 2.

A
B
C
D
E
F
G
H
I
J
K
L
M
N
O
P

DLK

DOOR LOCK AND UNLOCK SWITCH

< DTC/CIRCUIT DIAGNOSIS >

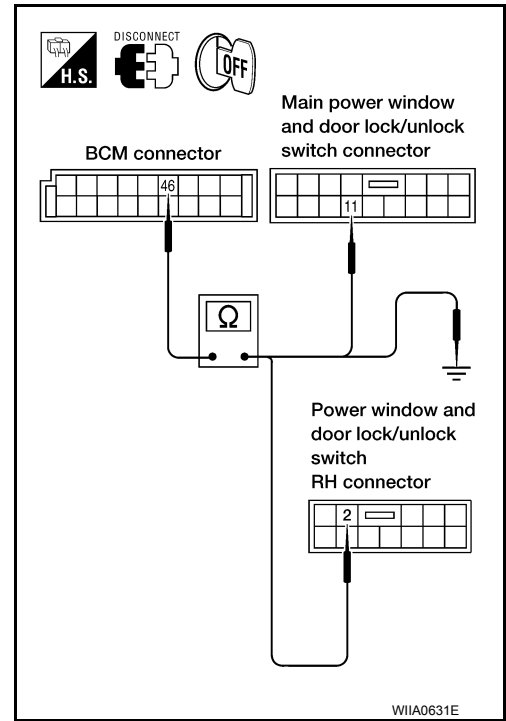
- 2 - 46 : Continuity should exist.**
- 11 - 46 : Continuity should exist.**

5. Check continuity between BCM connector M19 terminal 46 and ground.

- 46 - Ground : Continuity should not exist.**

Is the inspection result normal?

- YES >> GO TO 5
- NO >> Repair or replace harness.



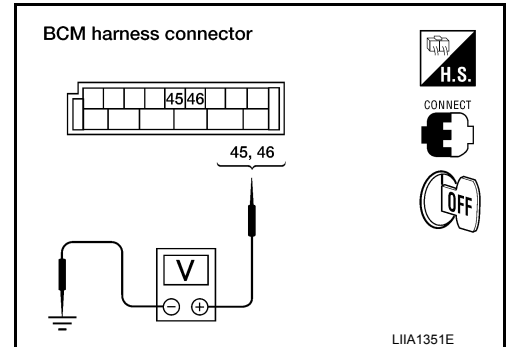
5. CHECK BCM OUTPUT VOLTAGE

1. Connect BCM.
2. Check voltage between BCM connector M19 terminals 45, 46 and ground.

- 45 - Ground : Battery voltage**
- 46 - Ground : Battery voltage**

Is the inspection result normal?

- YES >> Check condition of the harness and connector.
- NO >> Replace BCM. Refer to [BCS-49, "Removal and Installation"](#).



KEY CYLINDER SWITCH

< DTC/CIRCUIT DIAGNOSIS >

KEY CYLINDER SWITCH DRIVER SIDE

DRIVER SIDE : Description

INFOID:000000007327260

The main power window and door lock/unlock switch detects condition of the door key cylinder switch and transmits to BCM as the LOCK or UNLOCK signal.

DRIVER SIDE : Component Function Check

INFOID:000000007327261

1.CHECK DOOR KEY CYLINDER SWITCH INPUT SIGNAL

Check "KEY CYL LK-SW" AND "KEY CYL UN-SW" in Data Monitor mode for "DOOR LOCK" with CONSULT.

Monitor item	Condition
KEY CYL LK-SW	Lock : ON
	Neutral / Unlock : OFF
KEY CYL UN-SW	Unlock : ON
	Neutral / Lock : OFF

Is the inspection result normal?

YES >> Key cylinder switch is OK.

NO >> Refer to [DLK-39, "DRIVER SIDE : Diagnosis Procedure"](#).

DRIVER SIDE : Diagnosis Procedure

INFOID:000000007327262

Regarding Wiring Diagram information, refer to [DLK-77, "Wiring Diagram - King Cab"](#) or [DLK-87, "Wiring Diagram - Crew Cab"](#).

1.CHECK DOOR KEY CYLINDER SWITCH LH

Ⓜ With CONSULT

Check front door lock assembly LH (key cylinder switch) ("KEY CYL LK-SW") and ("KEY CYL UN-SW) in DATA MONITOR mode in CONSULT. Refer to [DLK-21, "DOOR LOCK : CONSULT Function \(BCM - DOOR LOCK\)"](#).

- When key inserted in front key cylinder is turned to LOCK:

KEY CYL LK-SW : ON

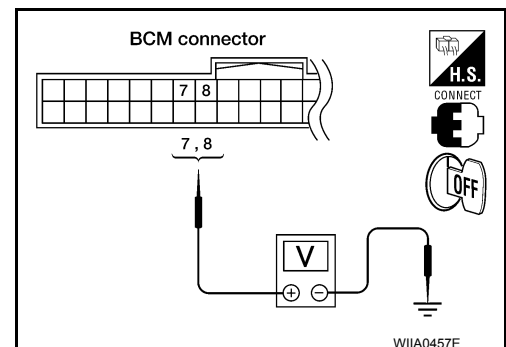
- When key inserted in front key cylinder is turned to UNLOCK:

KEY CYL UN-SW : ON

Ⓧ Without CONSULT

Check voltage between BCM connector M18 terminals 7, 8 and ground.

Connector	Terminals		Condition	Voltage (V) (Approx.)
	(+)	(-)		
M18	7	Ground	Neutral/Lock	5
			Unlock	0
	8		Neutral/Unlock	5
			Lock	0



A
B
C
D
E
F
G
H
I
J
L
M
N
O
P

DLK

KEY CYLINDER SWITCH

< DTC/CIRCUIT DIAGNOSIS >

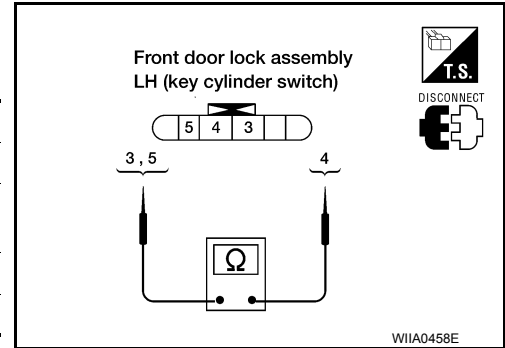
Is the inspection result normal?

- YES >> Front door lock assembly LH (key cylinder switch) signal is OK.
- NO >> GO TO 2

2. CHECK FRONT DOOR LOCK ASSEMBLY LH (KEY CYLINDER SWITCH)

1. Turn ignition switch OFF.
2. Disconnect front door lock assembly LH (key cylinder switch).
3. Check continuity between front door lock assembly LH (key cylinder switch) connector terminals 3, 4 and 5.

Terminals	Condition	Continuity
4 - 5	Key is turned to LOCK.	Yes
	Key is in N position or turned to UNLOCK	No
3 - 4	Key is turned to UNLOCK.	Yes
	Key is in N position or turned to LOCK	No



Is the inspection result normal?

- YES >> GO TO 3
- NO >> Replace front door lock assembly LH (key cylinder switch). Refer to [DLK-139, "Removal and Installation"](#).

3. CHECK FRONT DOOR LOCK ASSEMBLY LH HARNESS

1. Disconnect BCM.
2. Check continuity between BCM connector M18 terminals 7, 8 and front door lock assembly LH connector D14 terminals 3, 5.

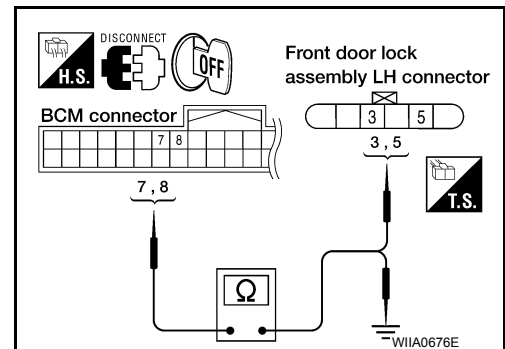
7 - 3 : Continuity should exist.

8 - 5 : Continuity should exist.

3. Check continuity between BCM connector M18 terminals 7, 8 and ground.

7 - Ground : Continuity should not exist.

8 - Ground : Continuity should not exist.



Is the inspection result normal?

- YES >> GO TO 4
- NO >> Repair or replace harness.

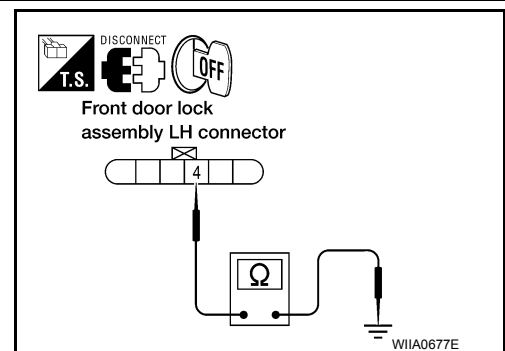
4. CHECK FRONT DOOR LOCK ASSEMBLY LH GROUND

Check continuity between front door lock assembly LH connector D14 terminal 4 and ground.

4 - Ground : Continuity should exist.

Is the inspection result normal?

- YES >> GO TO 5
- NO >> Repair or replace harness.



5. CHECK BCM OUTPUT VOLTAGE

1. Connect BCM.

KEY CYLINDER SWITCH

< DTC/CIRCUIT DIAGNOSIS >

2. Check voltage between BCM connector M18 terminals 7, 8 and ground.

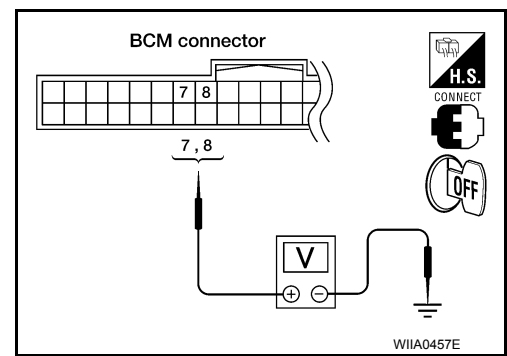
7 - Ground : Approx. 5V

8 - Ground : Approx. 5V

Is the inspection result normal?

YES >> Check condition of the harness and connector.

NO >> Replace BCM. Refer to [BCS-49, "Removal and Installation"](#).



A
B
C
D
E
F
G
H
I
J
DLK
L
M
N
O
P

KEY SWITCH (BCM INPUT)

< DTC/CIRCUIT DIAGNOSIS >

KEY SWITCH (BCM INPUT)

Diagnosis Procedure

INFOID:000000007327263

Regarding Wiring Diagram information, refer to [DLK-77. "Wiring Diagram - King Cab"](#) or [DLK-87. "Wiring Diagram - Crew Cab"](#).

1. CHECK KEY SWITCH INPUT SIGNAL

With CONSULT

Check key switch "KEY ON SW" in DATA MONITOR mode with CONSULT. Refer to [DLK-21. "DOOR LOCK : CONSULT Function \(BCM - DOOR LOCK\)"](#).

- When key is inserted to ignition key cylinder:

KEY ON SW : ON

- When key is removed from ignition key cylinder:

KEY ON SW : OFF

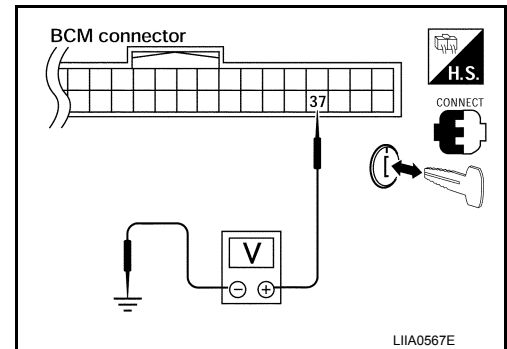
Without CONSULT

Check voltage between BCM connector M18 terminal 37 and ground.

Connector	Terminal		Condition	Voltage (V)
	(+)	(-)		
M18	37	Ground	Key is inserted.	Battery voltage
			Key is removed.	0

Is the inspection result normal?

- YES >> Key switch (insert) circuit is OK.
- NO >> GO TO 2



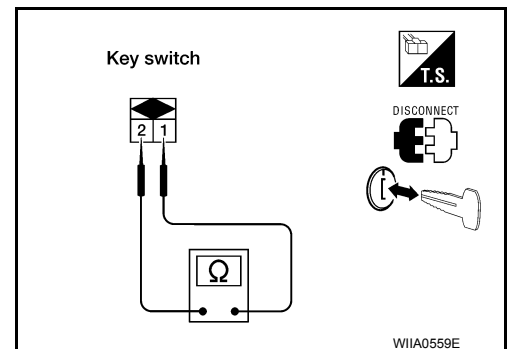
2. CHECK KEY SWITCH (INSERT)

1. Turn ignition switch OFF.
2. Disconnect key switch connector.
3. Check continuity between key switch terminals.

Terminals	Condition	Continuity
1 - 2	Key is inserted.	Yes
	Key is removed.	No

Is the inspection result normal?

- YES >> Repair or replace harness or fuse.
- NO >> Replace key switch.



DOOR LOCK ACTUATOR

< DTC/CIRCUIT DIAGNOSIS >

DOOR LOCK ACTUATOR DRIVER SIDE

DRIVER SIDE : Description

INFOID:000000007327264

Locks/unlocks the door with the signal from BCM.

DRIVER SIDE : Component Function Check

INFOID:000000007327265

1. CHECK FUNCTION

1. Use CONSULT to perform Active Test "DOOR LOCK".
2. Touch "ALL LCK" or "ALL ULK" to check that it works normally.

Is the inspection result normal?

- YES >> Door lock actuator is OK.
NO >> Refer to [DLK-43. "DRIVER SIDE : Diagnosis Procedure"](#).

DRIVER SIDE : Diagnosis Procedure

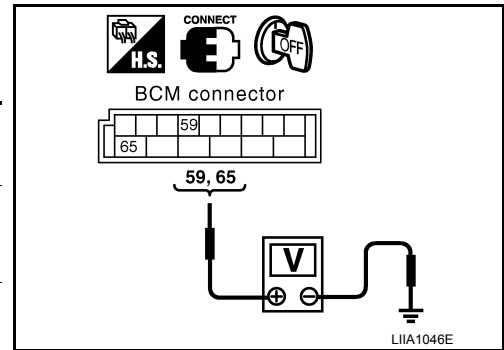
INFOID:000000007327266

Regarding Wiring Diagram information, refer to [DLK-77. "Wiring Diagram - King Cab"](#) or [DLK-87. "Wiring Diagram - Crew Cab"](#).

1. CHECK DOOR LOCK ACTUATOR SIGNAL

1. Turn ignition switch OFF.
2. Check voltage between BCM connector M20 terminals 59, 65 and ground.

Connector	Terminals		Condition	Voltage (V) (Approx.)
	(+)	(-)		
M20	59	Ground	Driver door lock/unlock switch is turned to UN-LOCK	0 → Battery voltage
	65		Driver door lock/unlock switch is turned to LOCK	0 → Battery voltage



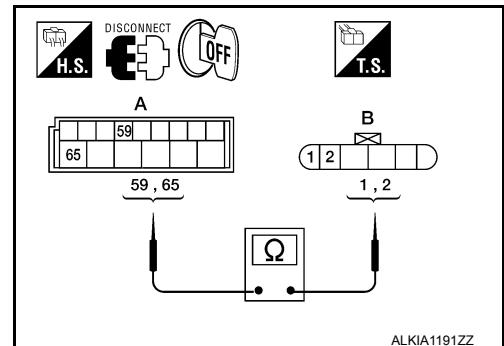
Is the inspection result normal?

- YES >> GO TO 2
NO >> GO TO 3

2. CHECK DOOR LOCK ACTUATOR HARNESS

1. Disconnect BCM and front door lock assembly LH (actuator).
2. Check continuity between BCM connector (A) M20 terminals 59, 65 and front door lock assembly LH (actuator) connector (B) D14 terminals 1, 2.

Connector	Terminals	Connector	Terminals	Continuity
M20	59	D14	2	Yes
	65		1	



Is the inspection result normal?

- YES >> Replace front door lock assembly LH (actuator).

A
B
C
D
E
F
G
H
I
J
K
L
M
N
O
P

DLK

DOOR LOCK ACTUATOR

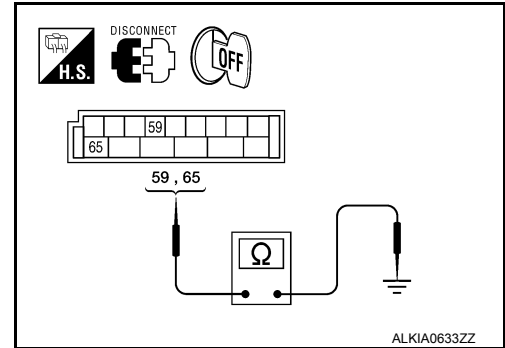
< DTC/CIRCUIT DIAGNOSIS >

NO >> Repair or replace harness.

3. CHECK DOOR LOCK ACTUATOR HARNESS

1. Disconnect BCM and front door lock assembly LH (actuator).
2. Check continuity between BCM connector M20 terminals 59, 65 and ground.

Connector	Terminals		Continuity
M20	59	Ground	No
	65		



Is the inspection result normal?

YES >> Replace BCM. Refer to [BCS-49. "Removal and Installation"](#).

NO >> Repair or replace harness.

PASSENGER SIDE

PASSENGER SIDE : Description

INFOID:000000007327267

Locks/unlocks the door with the signal from BCM.

PASSENGER SIDE : Component Function Check

INFOID:000000007327268

1. CHECK FUNCTION

1. Use CONSULT to perform Active Test "DOOR LOCK".
2. Touch "ALL LCK" or "ALL ULK" to check that it works normally.

Is the inspection result normal?

YES >> Door lock actuator is OK.

NO >> Refer to [DLK-44. "PASSENGER SIDE : Diagnosis Procedure"](#).

PASSENGER SIDE : Diagnosis Procedure

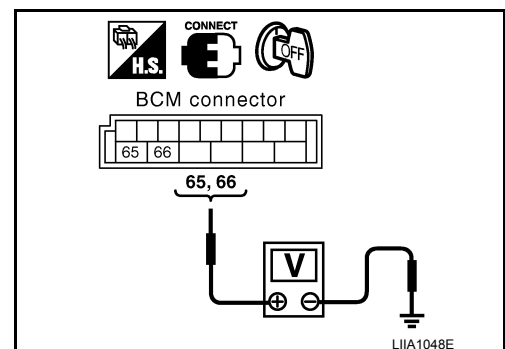
INFOID:000000007327269

Regarding Wiring Diagram information, refer to [DLK-77. "Wiring Diagram - King Cab"](#) or [DLK-87. "Wiring Diagram - Crew Cab"](#).

1. CHECK FRONT DOOR LOCK ACTUATOR RH SIGNAL

1. Turn ignition switch OFF.
2. Check voltage between BCM connector M20 terminals 65, 66 and ground.

Connector	Terminals		Condition	Voltage (V) (Approx.)
	(+)	(-)		
M20	65	Ground	Door lock/unlock switch is turned to LOCK	0 → Battery voltage for 300 ms
	66		Door lock/unlock switch is turned to UNLOCK	



Is the inspection result normal?

YES >> GO TO 2

DOOR LOCK ACTUATOR

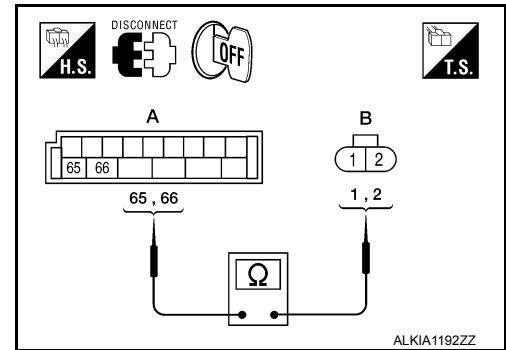
< DTC/CIRCUIT DIAGNOSIS >

NO >> GO TO 3

2.CHECK DOOR LOCK ACTUATOR HARNESS

1. Disconnect BCM and front door lock actuator RH.
2. Check continuity between BCM connector (A) M20 terminals 65, 66 and front door lock actuator RH (B) D114 terminals 1, 2.

Terminal		Continuity
65	2	Yes
66	1	



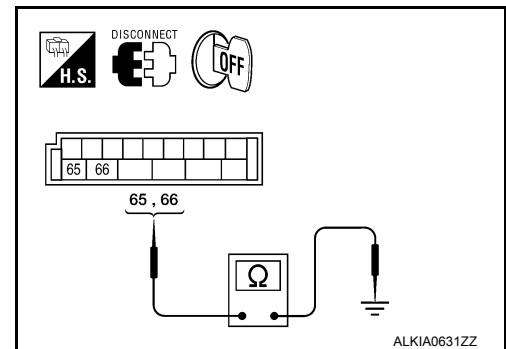
Is the inspection result normal?

- YES >> Replace front door lock actuator RH. Refer to [DLK-139. "Removal and Installation"](#).
 NO >> Repair or replace harness.

3.CHECK DOOR LOCK ACTUATOR HARNESS

1. Disconnect BCM and front door lock actuator RH.
2. Check continuity between BCM connector M19 terminals 65, 66 and ground.

Terminals		Continuity
65	Ground	No
66		



Is the inspection result normal?

- YES >> Replace BCM. Refer to [BCS-49. "Removal and Installation"](#).
 NO >> Repair or replace harness.

REAR LH

REAR LH : Description

Locks/unlocks the door with the signal from BCM.

INFOID:000000007327270

REAR LH : Component Function Check

INFOID:000000007327271

1.CHECK FUNCTION

1. Use CONSULT to perform Active Test "DOOR LOCK".
2. Touch "ALL LCK" or "ALL ULK" to check that it works normally.

Is the inspection result normal?

- YES >> Door lock actuator is OK.
 NO >> Refer to [DLK-45. "REAR LH : Diagnosis Procedure"](#).

REAR LH : Diagnosis Procedure

INFOID:000000007327272

Regarding Wiring Diagram information, refer to [DLK-87. "Wiring Diagram - Crew Cab"](#).

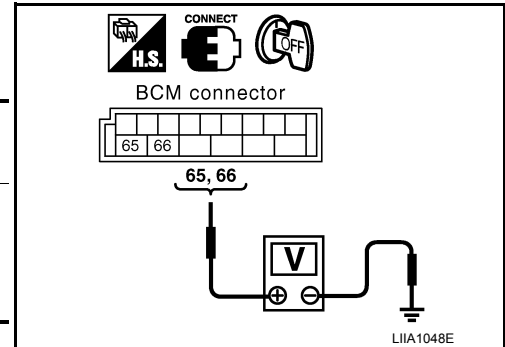
DOOR LOCK ACTUATOR

< DTC/CIRCUIT DIAGNOSIS >

1. CHECK DOOR LOCK ACTUATOR SIGNAL

1. Turn ignition switch OFF.
2. Check voltage between BCM connector M20 terminals 65, 66 and ground.

Connector	Terminals		Condition	Voltage (V) (Approx.)
	(+)	(-)		
M20	65	Ground	Door lock/unlock switch is turned to LOCK	0 → Battery voltage for 300 ms
	66		Door lock/unlock switch is turned to UNLOCK	



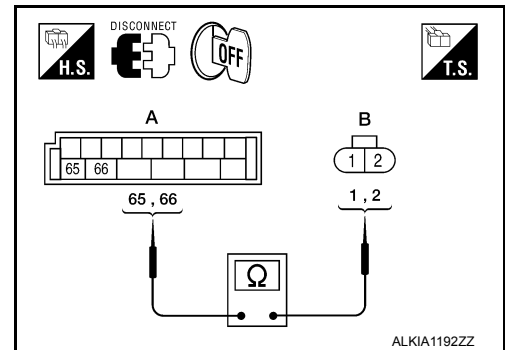
Is the inspection result normal?

- YES >> GO TO 2
NO >> GO TO 3

2. CHECK DOOR LOCK ACTUATOR HARNESS

1. Disconnect BCM and rear door lock actuator LH.
2. Check continuity between BCM connector (A) M20 terminals 65, 66 and rear door lock actuator LH connector (B) D205 terminals 1, 2.

Terminals		Continuity
65	2	
66	1	



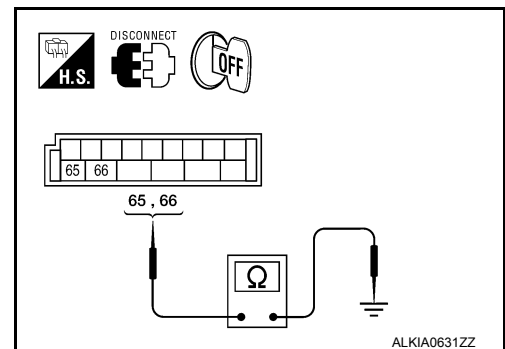
Is the inspection result normal?

- YES >> Replace rear door lock actuator LH.
NO >> Repair or replace harness.

3. CHECK DOOR LOCK ACTUATOR HARNESS

1. Disconnect BCM and each door lock actuator.
2. Check continuity between BCM connector M20 terminals 65, 66 and ground.

Terminals		Continuity
65	Ground	
66		No



Is the inspection result normal?

- YES >> Replace BCM. Refer to [BCS-49. "Removal and Installation"](#).
NO >> Repair or replace harness.

REAR RH

DOOR LOCK ACTUATOR

< DTC/CIRCUIT DIAGNOSIS >

REAR RH : Description

INFOID:000000007327273

Locks/unlocks the door with the signal from BCM.

REAR RH : Component Function Check

INFOID:000000007327274

1.CHECK FUNCTION

1. Use CONSULT to perform Active Test "DOOR LOCK".
2. Touch "ALL LCK" or "ALL ULK" to check that it works normally.

Is the inspection result normal?

- YES >> Door lock actuator is OK.
 NO >> Refer to [DLK-47, "REAR RH : Diagnosis Procedure"](#).

REAR RH : Diagnosis Procedure

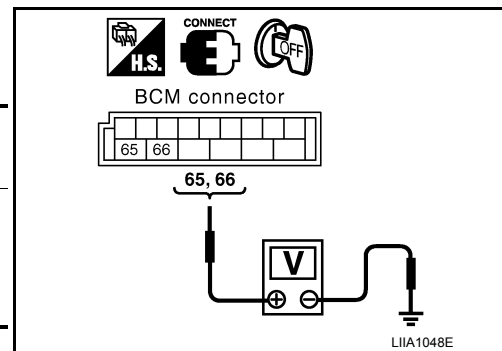
INFOID:000000007327275

Regarding Wiring Diagram information, refer to [DLK-87, "Wiring Diagram - Crew Cab"](#).

1.CHECK DOOR LOCK ACTUATOR SIGNAL

1. Turn ignition switch OFF.
2. Check voltage between BCM connector M20 terminals 65, 66 and ground.

Connector	Terminals		Condition	Voltage (V) (Approx.)
	(+)	(-)		
M20	65	Ground	Door lock/unlock switch is turned to LOCK	0 → Battery voltage for 300 ms
	66		Door lock/unlock switch is turned to UNLOCK	



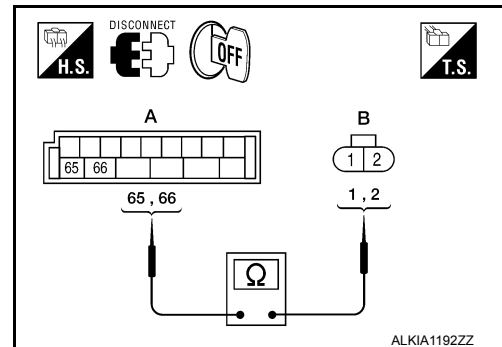
Is the inspection result normal?

- YES >> GO TO 2
 NO >> GO TO 3

2.CHECK DOOR LOCK ACTUATOR HARNESS

1. Disconnect BCM and rear door lock actuator RH.
2. Check continuity between BCM connector (A) M20 terminals 65, 66 and rear door lock actuator RH connector (B) D305 terminals 1, 2.

Terminals		Continuity
(+)	(-)	
65	2	Yes
66	1	



Is the inspection result normal?

- YES >> Replace rear door lock actuator RH.
 NO >> Repair or replace harness.

3.CHECK DOOR LOCK ACTUATOR HARNESS

1. Disconnect BCM and rear door lock actuator RH.

A
B
C
D
E
F
G
H
I
J
K
L
M
N
O
P

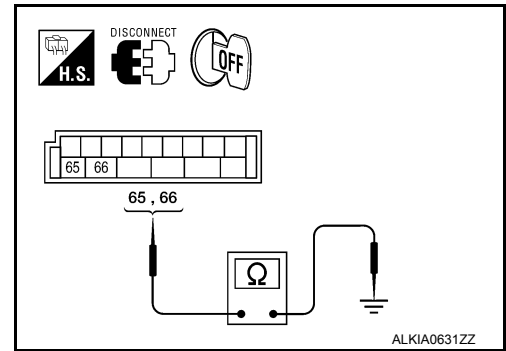
DLK

DOOR LOCK ACTUATOR

< DTC/CIRCUIT DIAGNOSIS >

2. Check continuity between BCM connector (A) M20 terminals 65, 66 and ground.

Terminals		Continuity
65	Ground	No
66		



Is the inspection result normal?

YES >> Replace BCM. Refer to [BCS-49. "Removal and Installation"](#).

NO >> Repair or replace harness.

REMOTE KEYLESS ENTRY RECEIVER

< DTC/CIRCUIT DIAGNOSIS >

REMOTE KEYLESS ENTRY RECEIVER

Description

INFOID:000000007327276

Receives keyfob operation and transmits to BCM.

Component Function Check

INFOID:000000007327277

1. CHECK FUNCTION

With CONSULT

Check remote keyless entry receiver by pressing the keyfob lock and unlock buttons then monitoring "KEYLESS LOCK" and "KEYLESS UNLOCK" in Data Monitor mode "DOOR LOCK" with CONSULT.

Monitor item	Condition
KEYLESS LOCK	LOCK : ON
	UNLOCK : OFF
KEYLESS UNLOCK	LOCK : OFF
	UNLOCK : ON

Is the inspection result normal?

- YES >> Remote keyless entry receiver is OK.
- NO >> Refer to [DLK-49. "Diagnosis Procedure"](#).

Diagnosis Procedure

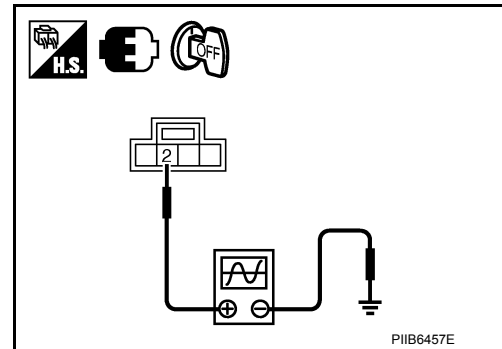
INFOID:000000007327278

Regarding Wiring Diagram information, refer to [DLK-99. "Wiring Diagram - King Cab"](#) or [DLK-109. "Wiring Diagram - Crew Cab"](#).

1. CHECK REMOTE KEYLESS ENTRY RECEIVER OUTPUT SIGNAL

1. Turn ignition switch OFF.
2. Check remote keyless entry receiver signal with an oscilloscope.

Terminals		Keyfob condition	Signal (Reference value)
(+)	(-)		
Remote keyless entry receiver connector	Terminal		
M120	2	Ground	
		Any button is pressed	



A
B
C
D
E
F
G
H
I
J
L
M
N
O
P

DLK

REMOTE KEYLESS ENTRY RECEIVER

< DTC/CIRCUIT DIAGNOSIS >

Is the inspection result normal?

- YES >> GO TO 2
- NO >> GO TO 4

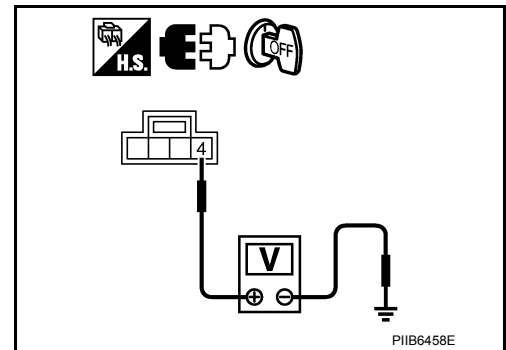
2. REMOTE KEYLESS ENTRY RECEIVER 5-VOLT CIRCUIT INSPECTION

Check voltage between remote keyless entry receiver connector M120 terminal 4 and ground.

4 - Ground : Approx. 5 volt.

Is the inspection result normal?

- YES >> GO TO 3
- NO >> GO TO 4



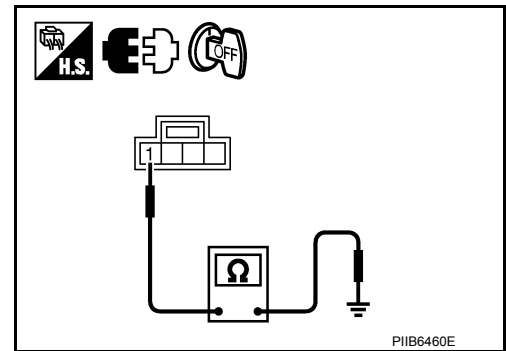
3. REMOTE KEYLESS ENTRY RECEIVER GROUND CIRCUIT INSPECTION

Check continuity between remote keyless entry receiver connector M120 terminal 1 and ground.

1 - Ground : Continuity should exist.

Is the inspection result normal?

- YES >> Replace remote keyless entry receiver.
- NO >> GO TO 4



4. HARNESS INSPECTION BETWEEN BCM AND RKE RECEIVER

1. Disconnect remote keyless entry receiver and BCM connectors.
2. Check continuity between BCM connector M18 terminals 18, 19, 20 and remote keyless entry receiver connector M120 terminals 1, 2, 4.

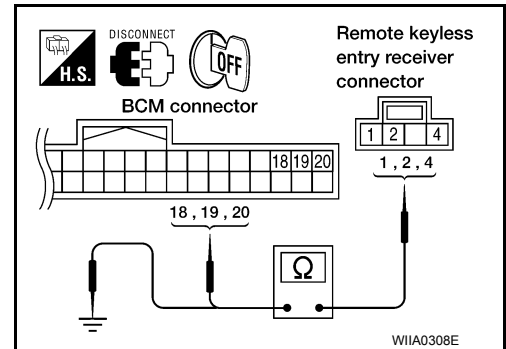
1 - 18 : Continuity should exist.
2 - 20 : Continuity should exist.
4 - 19 : Continuity should exist.

3. Check continuity between remote keyless entry receiver connector M120 terminals 1, 2, 4 and ground.

1 - Ground : Continuity should not exist.
2 - Ground : Continuity should not exist.
4 - Ground : Continuity should not exist.

Is the inspection result normal?

- YES >> Replace remote keyless entry receiver.
- NO >> Repair or replace the harness between the remote keyless entry receiver and BCM.



KEYFOB BATTERY AND FUNCTION

< DTC/CIRCUIT DIAGNOSIS >

KEYFOB BATTERY AND FUNCTION

Description

INFOID:000000007327279

The following functions are available when having and carrying electronic ID.

- Door lock/unlock
- Panic alarm

Remote control entry function and panic alarm function are available when operating the remote buttons.

Component Function Check

INFOID:000000007327280

NOTE:

The Signal Tech II (J-50190) can be used to test the remote keyless entry keyfob relative signal strength. Refer to the Signal Tech II User Guide for additional information.

1. CHECK FUNCTION

With CONSULT

Check remote keyless entry receiver by pressing the keyfob lock and unlock buttons then monitoring "KEYLESS LOCK" and "KEYLESS UNLOCK" in Data Monitor mode "DOOR LOCK" with CONSULT.

Monitor item	Condition
KEYLESS LOCK	LOCK : ON
	UNLOCK : OFF
KEYLESS UNLOCK	LOCK : OFF
	UNLOCK : ON

Is the inspection result normal?

- YES >> Keyfob is OK.
NO >> Refer to [DLK-51, "Diagnosis Procedure"](#).

Diagnosis Procedure

INFOID:000000007327281

NOTE:

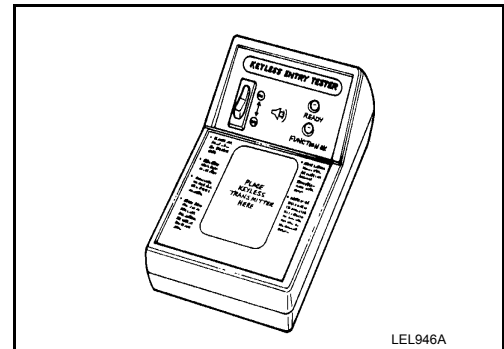
The Signal Tech II (J-50190) can be used to test the remote keyless entry keyfob relative signal strength. Refer to the Signal Tech II User Guide for additional information.

1. CHECK KEYFOB FUNCTION

Check keyfob function using Signal Tech II Tool J-50190 or Remote Keyless Entry Tester J-43241 (shown).

Does the test pass?

- YES >> Keyfob is OK.
NO >> GO TO 2

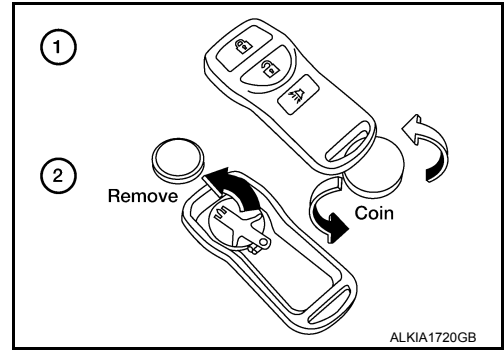


2. CHECK KEYFOB COMPONENTS

KEYFOB BATTERY AND FUNCTION

< DTC/CIRCUIT DIAGNOSIS >

1. Open the lid using a coin.
 - CAUTION:**
 - Do not touch the circuit board or battery terminal.
 - The keyfob is water-resistant. However, if it does get wet, immediately wipe it dry.
2. Remove the keyfob battery.
 - CAUTION:**
 - Keep dirt, grease, and other foreign materials off the electrode contact area.
3. Visually inspect keyfob internal components.



Is the inspection result normal?

- YES >> GO TO 3
- NO >> Repair or replace malfunctioning parts.

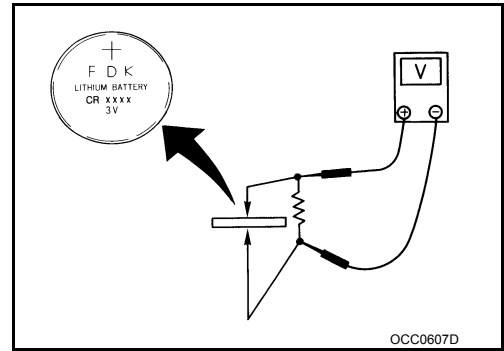
3. CHECK KEYFOB BATTERY

Check by connecting a resistance (approximately 300Ω) so that the current value becomes about 10 mA.

Standard : Approx. 2.5 - 3.0V

Is the measurement value within specification?

- YES >> Keyfob battery is OK. Check remote keyless entry receiver. Refer to [DLK-49](#).
"Component Function Check".
- NO >> GO TO 4.

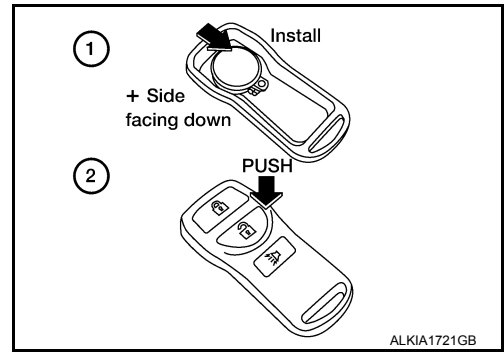


4. REPLACE KEYFOB BATTERY

1. Replace the keyfob battery, positive side down.
2. Align the tips of the upper and lower parts, and then push them together until it is securely closed.
 - CAUTION:**
 - When replacing battery, keep dirt, grease, and other foreign materials off the electrode contact area.
3. After replacing the battery, check that all keyfob functions work properly.

Is the inspection result normal?

- YES >> Keyfob is OK.
- NO >> Check remote keyless entry receiver. Refer to [DLK-49](#).
"Component Function Check".



HORN FUNCTION

< DTC/CIRCUIT DIAGNOSIS >

HORN FUNCTION

Description

INFOID:000000007327282

Perform answer-back for each operation with horn.

Component Function Check

INFOID:000000007327283

1.CHECK FUNCTION

1. Use CONSULT to perform Active Test "MULTIREMOTE ENT".
2. Touch "HORN" to check that it works normally.

Test item		Description	
HORN	ON	Horn relay	ON (for 20 ms)

Is the operation normal?

- YES >> Inspection End.
 NO >> Refer to [DLK-53, "Diagnosis Procedure"](#).

Diagnosis Procedure

INFOID:000000007327284

Regarding Wiring Diagram information, refer to [DLK-99, "Wiring Diagram - King Cab"](#) or [DLK-109, "Wiring Diagram - Crew Cab"](#).

1.CHECK HORN FUNCTION

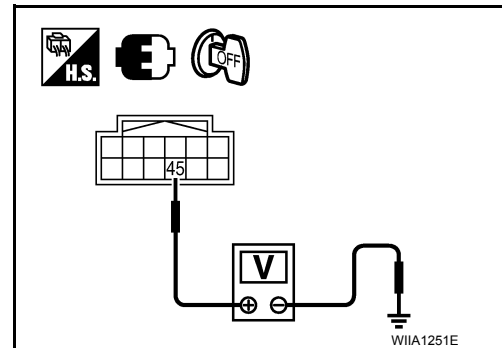
Check horn function with horn switch

Do the horns sound?

- YES >> GO TO 2
 NO >> Refer to [HRN-3, "Wiring Diagram"](#).

2.CHECK HORN RELAY POWER SUPPLY

1. Turn ignition switch ON.
2. Perform "HORN" in Active Test mode for "MULTIREMOTE ENT" with CONSULT.
3. Using an oscilloscope or analog voltmeter, check voltage between IPDM E/R connector E122 terminal 45 and ground.



IPDM E/R		Ground	Test item	Voltage (V) (Approx.)
Connector	Terminal			
E122	45	Ground	HORN	OFF → ON → OFF
				Other than above
				Battery voltage → 0 → Battery voltage
				Battery voltage

Is the inspection result normal?

- YES >> Refer to [GI-46, "Intermittent Incident"](#).
 NO >> GO TO 3

3.CHECK HORN RELAY CIRCUIT

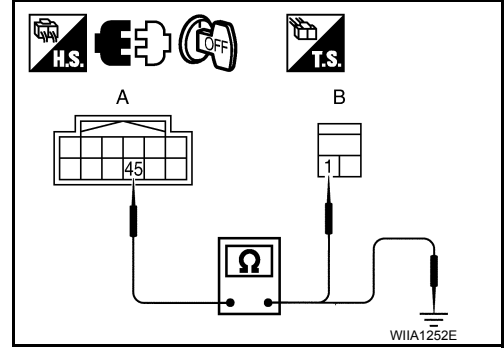
A
B
C
D
E
F
G
H
I
J
L
M
N
O
P

DLK

HORN FUNCTION

< DTC/CIRCUIT DIAGNOSIS >

1. Turn ignition switch OFF.
2. Disconnect IPDM E/R and horn relay connector.
3. Check continuity between IPDM E/R harness connector and horn relay harness connector.



IPDM E/R		Horn relay		Continuity
Connector	Terminal	Connector	Terminal	
A: E122	45	B: H-1	1	Yes

4. Check continuity between IPDM E/R harness connector and ground.

IPDM E/R		Ground	Continuity
Connector	Terminal		
E122	45	Ground	No

Is the inspection result normal?

- YES >> GO TO 4
 NO >> Repair or replace harness.

4. CHECK INTERMITTENT INCIDENT

Refer to [GI-46. "Intermittent Incident"](#).

Is the inspection result normal?

- YES >> Replace IPDM E/R. Refer to [PCS-28. "Removal and Installation of IPDM E/R"](#).
 NO >> Repair or replace the malfunctioning part.

WARNING CHIME FUNCTION

< DTC/CIRCUIT DIAGNOSIS >

WARNING CHIME FUNCTION

Description

INFOID:000000007327285

Performs operation method guide and warning with buzzer.

Component Function Check

INFOID:000000007327286

1.CHECK FUNCTION

1. Use CONSULT to perform Active Test "BUZZER".
2. Touch "IGN KEY WARN ALM" to check that it works normally.

Is the inspection result normal?

- Yes >> Warning buzzer in combination meter is OK.
- No >> Refer to [DLK-55. "Diagnosis Procedure"](#).

Diagnosis Procedure

INFOID:000000007327287

1.CHECK METER BUZZER CIRCUIT

The inoperative warning chime is contained inside the combination meter. Refer to [MWI-4. "Work Flow"](#).

>> Inspection End.

A
B
C
D
E
F
G
H
I
J
L
M
N
O
P

DLK

HAZARD FUNCTION

< DTC/CIRCUIT DIAGNOSIS >

HAZARD FUNCTION

Description

INFOID:000000007327288

Perform answer-back for each operation with number of blinks.

Component Function Check

INFOID:000000007327289

1.CHECK FUNCTION

1. Use CONSULT to perform Active Test "FLASHER".
2. Touch "RH" and "LH" to check that it works normally.

Is the inspection result normal?

- YES >> Hazard warning lamp circuit is OK.
NO >> Refer to [DLK-56, "Diagnosis Procedure"](#).

Diagnosis Procedure

INFOID:000000007327290

1.CHECK HAZARD SWITCH CIRCUIT

Operate the hazard lights by turning ON the hazard warning switch.

Do the lights operate normally?

- YES >> Replace the BCM. Refer to [BCS-49, "Removal and Installation"](#).
NO >> Repair or replace hazard warning switch circuit. Refer to [EXL-93, "Wiring Diagram"](#).

HEADLAMP FUNCTION

< DTC/CIRCUIT DIAGNOSIS >

HEADLAMP FUNCTION

Diagnosis Procedure

INFOID:000000007327291

1. CHECK HEADLAMP OPERATION

Do headlamps operate with headlamp switch?

YES or NO

YES >> Headlamp circuit is OK.

NO >> Check headlamp circuit. Refer to [EXL-72, "Wiring Diagram"](#).

A
B
C
D
E
F
G
H
I
J
DLK
L
M
N
O
P

DLK

MAP LAMP AND IGNITION KEYHOLE ILLUMINATION FUNCTION

< DTC/CIRCUIT DIAGNOSIS >

MAP LAMP AND IGNITION KEYHOLE ILLUMINATION FUNCTION

Diagnosis Procedure

INFOID:000000007327292

1. CHECK MAP LAMP OPERATION

When room lamp switch is in "DOOR" position, open the driver or passenger door.
Map lamp and ignition keyhole illumination should illuminate.

Is the inspection result normal?

YES >> Map lamp circuit is OK.

NO >> Check map lamp circuit. Refer to [INL-24. "Description"](#).

KEYFOB ID SET UP WITH CONSULT

< DTC/CIRCUIT DIAGNOSIS >

KEYFOB ID SET UP WITH CONSULT

ID Code Entry Procedure

INFOID:000000007327293

KEYFOB ID SET UP WITH CONSULT

NOTE:

- If a keyfob is lost, the ID code of the lost keyfob must be erased to prevent unauthorized use. A specific ID code can be erased with CONSULT. However, when the ID code of a lost keyfob is not known, all controller ID codes should be erased. After all ID codes are erased, the ID codes of all remaining and/or new keyfobs must be re-registered.
- When registering an additional keyfob, the existing ID codes in memory may or may not be erased. If five ID codes are stored in memory when an additional code is registered, only the oldest code is erased. If less than five codes are stored in memory when an additional code is registered, the new ID code is added and no ID codes are erased.
- Entry of a maximum of five ID codes is allowed. When more than five codes are entered, the oldest ID code will be erased.
- Even if the same ID code that is already in memory is input, the same ID code can be entered. The code is counted as an additional code.

1. Turn ignition switch ON.
2. Select "BCM".
3. Select "MULTIREMOTE ENT".
4. Select "WORK SUPPORT".
5. You can register, erase or confirm a keyfob ID code. To register a new code, select the following option and follow CONSULT instructions:
 - "REMO CONT ID REGIST"
Use this item to register a keyfob ID code.

NOTE:

Register the ID code when keyfob or BCM is replaced, or when an additional keyfob is required.

- "REMO CONT ID ERASUR"
Use this item to erase a keyfob ID code.
- "REMO CONT ID CONFIR"
Use this item to confirm if a keyfob ID code is registered or not.

A
B
C
D
E
F
G
H
I
J
DLK
L
M
N
O
P

KEYFOB ID SET UP WITHOUT CONSULT

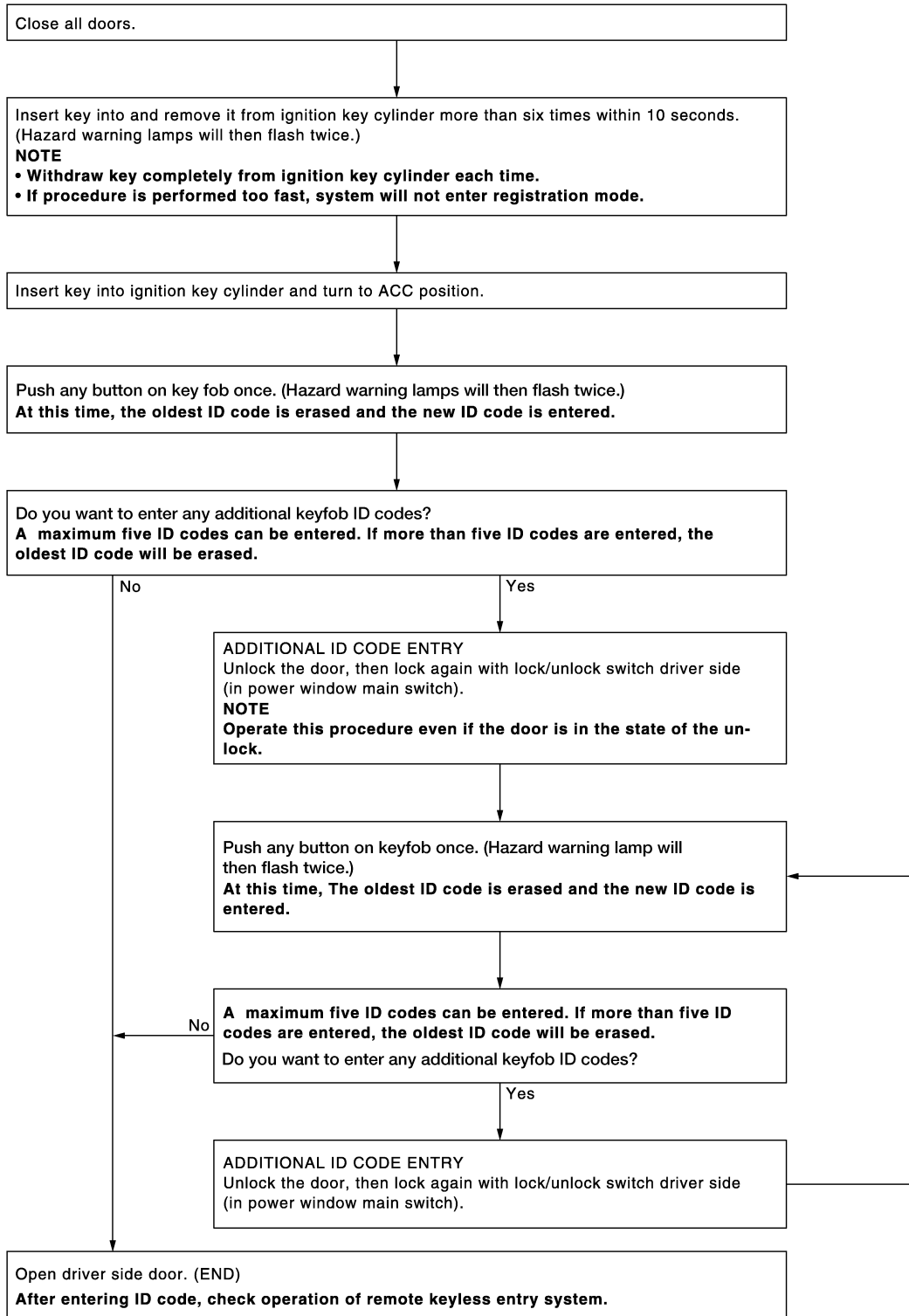
< DTC/CIRCUIT DIAGNOSIS >

KEYFOB ID SET UP WITHOUT CONSULT

ID Code Entry Procedure

INFOID:000000007327294

KEYFOB ID SET UP WITHOUT CONSULT



LIIA1670E

NOTE:

- If a keyfob is lost, the ID code of the lost keyfob must be erased to prevent unauthorized use. A specific ID code can be erased with CONSULT. However, when the ID code of a lost keyfob is not known, all controller

KEYFOB ID SET UP WITHOUT CONSULT

< DTC/CIRCUIT DIAGNOSIS >

ID codes should be erased. After all ID codes are erased, the ID codes of all remaining and/or new keyfobs must be re-registered.

To erase all ID codes in memory, register one ID code (keyfob) five times. After all ID codes are erased, the ID codes of all remaining and/or new keyfobs must be re-registered.

- When registering an additional keyfob, the existing ID codes in memory may or may not be erased. If five ID codes are stored in memory, when an additional code is registered, only the oldest code is erased. If less than five ID codes are stored in memory, when an additional ID code is registered, the new ID code is added and no ID codes are erased.
- If you need to activate more than two additional new keyfobs, repeat the procedure “Additional ID code entry” for each new keyfob.
- Entry of maximum five ID codes is allowed. When more than five ID codes are entered, the oldest ID code will be erased.
- Even if same ID code that is already in the memory is input, the same ID code can be entered. The code is counted as an additional code.

A

B

C

D

E

F

G

H

I

J

DLK

L

M

N

O

P

HOMELINK UNIVERSAL TRANSCEIVER

< DTC/CIRCUIT DIAGNOSIS >

HOMELINK UNIVERSAL TRANSCEIVER

Description

INFOID:000000007327295

Homelink universal transceiver can store and transmit a maximum of 3 radio signals. Allows operation of garage doors, gates, home and office lighting, entry door locks and security system, etc. Homelink universal transceiver power supply uses vehicle battery, which enables it to maintain every program in case battery is discharged or removed.

Component Function Check

INFOID:000000007327296

1. CHECK FUNCTION

Check that system receiver (garage door opener, etc.) operates with original hand-held transmitter.

Is the inspection result normal?

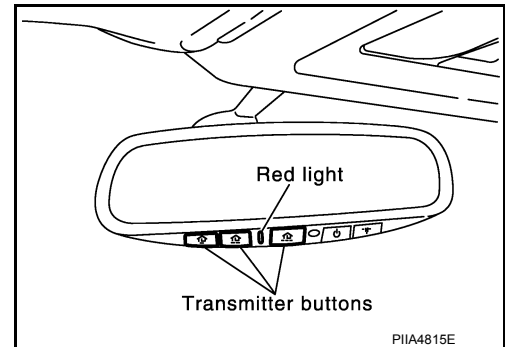
- YES >> GO TO 2
- NO >> Receiver or hand-held transmitter is malfunctioning.

2. CHECK ILLUMINATION

1. Turn ignition switch "OFF".
2. Press each of the transmitter buttons and watch for the red light to illuminate with each button.

Is the inspection result normal?

- YES >> GO TO 3
- NO >> Refer to [DLK-62, "Diagnosis Procedure"](#).



3. CHECK TRANSMITTER

Check transmitter with Tool*.

*:For details, refer to Technical Service Bulletin.

Is the inspection result normal?

- YES >> Receiver or hand-held transmitter malfunction, not vehicle related.
- NO >> Replace auto anti-dazzling inside mirror (homelink universal transceiver).

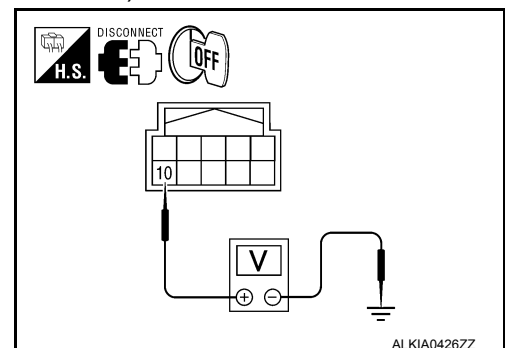
Diagnosis Procedure

INFOID:000000007327297

Regarding Wiring Diagram information, refer to [DLK-75, "Wiring Diagram"](#).

1. CHECK POWER SUPPLY

1. Disconnect auto anti-dazzling inside mirror (homelink universal transceiver) connector.
2. Check voltage between auto anti-dazzling inside mirror (homelink universal transceiver) harness connector and ground.



HOMELINK UNIVERSAL TRANSCEIVER

< DTC/CIRCUIT DIAGNOSIS >

Auto anti-dazzling inside mirror (Homelink universal transceiver) connector	Terminal		Condition	Voltage (V) (Approx.)
R7	10	Ground	Ignition switch position: LOCK	Battery voltage

Is the inspection result normal?

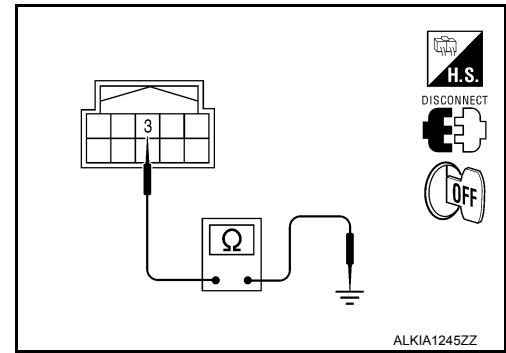
YES >> GO TO 2

NO >> Check the following.

- 10A fuse [No. 19 located in the fuse block (J/B)]
- Harness for open or short between fuse and auto anti-dazzling inside mirror (homelink universal transceiver).

2.CHECK GROUND CIRCUIT

Check continuity between auto anti-dazzling inside mirror (homelink universal transceiver) harness connector and ground.



Auto anti-dazzling inside mirror (Homelink universal transceiver) connector	Terminal	Ground	Continuity
R7	3		Yes

Is the inspection result normal?

YES >> GO TO 3

NO >> Repair harness.

3.CHECK INTERMITTENT INCIDENT

Refer to [GI-46. "Intermittent Incident"](#).

>> Inspection End.

A
B
C
D
E
F
G
H
I
J
L
M
N
O
P

DLK

BCM (BODY CONTROL MODULE)

< ECU DIAGNOSIS INFORMATION >

ECU DIAGNOSIS INFORMATION

BCM (BODY CONTROL MODULE)

Reference Value

INFOID:000000007818518

NOTE:

The Signal Tech II Tool (J-50190) can be used to perform the following functions. Refer to the Signal Tech II User Guide for additional information.

- Activate and display TPMS transmitter IDs
- Display tire pressure reported by the TPMS transmitter
- Read TPMS DTCs
- Register TPMS transmitter IDs
- Test remote keyless entry keyfob relative signal strength

VALUES ON THE DIAGNOSIS TOOL

Monitor Item	Condition	Value/Status
ACC ON SW	Ignition switch OFF or ON	Off
	Ignition switch ACC	On
AIR COND SW	A/C switch OFF	Off
	A/C switch ON	On
AIR PRESS FL	Front left tire air pressure value	kPa, kg/cm ² , psi
AIR PRESS FR	Front right tire air pressure value	kPa, kg/cm ² , psi
AIR PRESS RL	Rear left tire air pressure value	kPa, kg/cm ² , psi
AIR PRESS RR	Rear right tire air pressure value	kPa, kg/cm ² , psi
BRAKE SW	Brake pedal released	Off
	Brake pedal applied	On
BUCKLE SW	Seat belt buckle unfastened	Off
	Seat belt buckle fastened	On
BUZZER	Buzzer in combination meter OFF	Off
	Buzzer in combination meter ON	On
CARGO LAMP SW	Cargo lamp switch OFF	Off
	Cargo lamp switch ON	On
CDL LOCK SW	Door lock/unlock switch does not operate	Off
	Press door lock/unlock switch to the LOCK side	On
CDL UNLOCK SW	Door lock/unlock switch does not operate	Off
	Press door lock/unlock switch to the UNLOCK side	On
DOOR SW-AS	Front door RH closed	Off
	Front door RH opened	On
DOOR SW-DR	Front door LH closed	Off
	Front door LH opened	On
DOOR SW-RL	Rear door LH closed	Off
	Rear door LH opened	On
DOOR SW-RR	Rear door RH closed	Off
	Rear door RH opened	On
FAN ON SIG	Blower motor fan switch OFF	Off
	Blower motor fan switch ON	On

BCM (BODY CONTROL MODULE)

< ECU DIAGNOSIS INFORMATION >

Monitor Item	Condition	Value/Status	
FR FOG SW	Front fog lamp switch OFF	Off	A
	Front fog lamp switch ON	On	
FR WASHER SW	Front washer switch OFF	Off	B
	Front washer switch ON	On	
FR WIPER LOW	Front wiper switch OFF	Off	C
	Front wiper switch LO	On	
FR WIPER HI	Front wiper switch OFF	Off	D
	Front wiper switch HI	On	
FR WIPER INT	Front wiper switch OFF	Off	E
	Front wiper switch INT	On	
FR WIPER STOP	Any position other than front wiper stop position	Off	E
	Front wiper stop position	On	
HAZARD SW	When hazard switch is not pressed	Off	F
	When hazard switch is pressed	On	
HEAD LAMP SW 1	Headlamp switch OFF	Off	G
	Headlamp switch 1st	On	
HEAD LAMP SW 2	Headlamp switch OFF	Off	H
	Headlamp switch 1st	On	
HI BEAM SW	High beam switch OFF	Off	H
	High beam switch HI	On	
ID REGST FL1	ID registration of front left tire incomplete	YET	I
	ID registration of front left tire complete	DONE	
ID REGST FR1	ID registration of front right tire incomplete	YET	J
	ID registration of front right tire complete	DONE	
ID REGST RL1	ID registration of rear left tire incomplete	YET	
	ID registration of rear left tire complete	DONE	DLK
ID REGST RR1	ID registration of rear right tire incomplete	YET	
	ID registration of rear right tire complete	DONE	
IGN ON SW	Ignition switch OFF or ACC	Off	L
	Ignition switch ON	On	
IGN SW CAN	Ignition switch OFF or ACC	Off	M
	Ignition switch ON	On	
INT VOLUME	Wiper intermittent dial is in a dial position 1 - 7	1 - 7	
KEY CYL LK-SW	Door key cylinder LOCK position	Off	N
	Door key cylinder other than LOCK position	On	
KEY CYL UN-SW	Door key cylinder UNLOCK position	Off	O
	Door key cylinder other than UNLOCK position	On	
KEY ON SW	Mechanical key is removed from key cylinder	Off	P
	Mechanical key is inserted to key cylinder	On	
KEYLESS LOCK	LOCK button of key fob is not pressed	Off	
	LOCK button of key fob is pressed	On	
KEYLESS PANIC	PANIC button of key fob is not pressed	Off	
	PANIC button of key fob is pressed	On	

BCM (BODY CONTROL MODULE)

< ECU DIAGNOSIS INFORMATION >

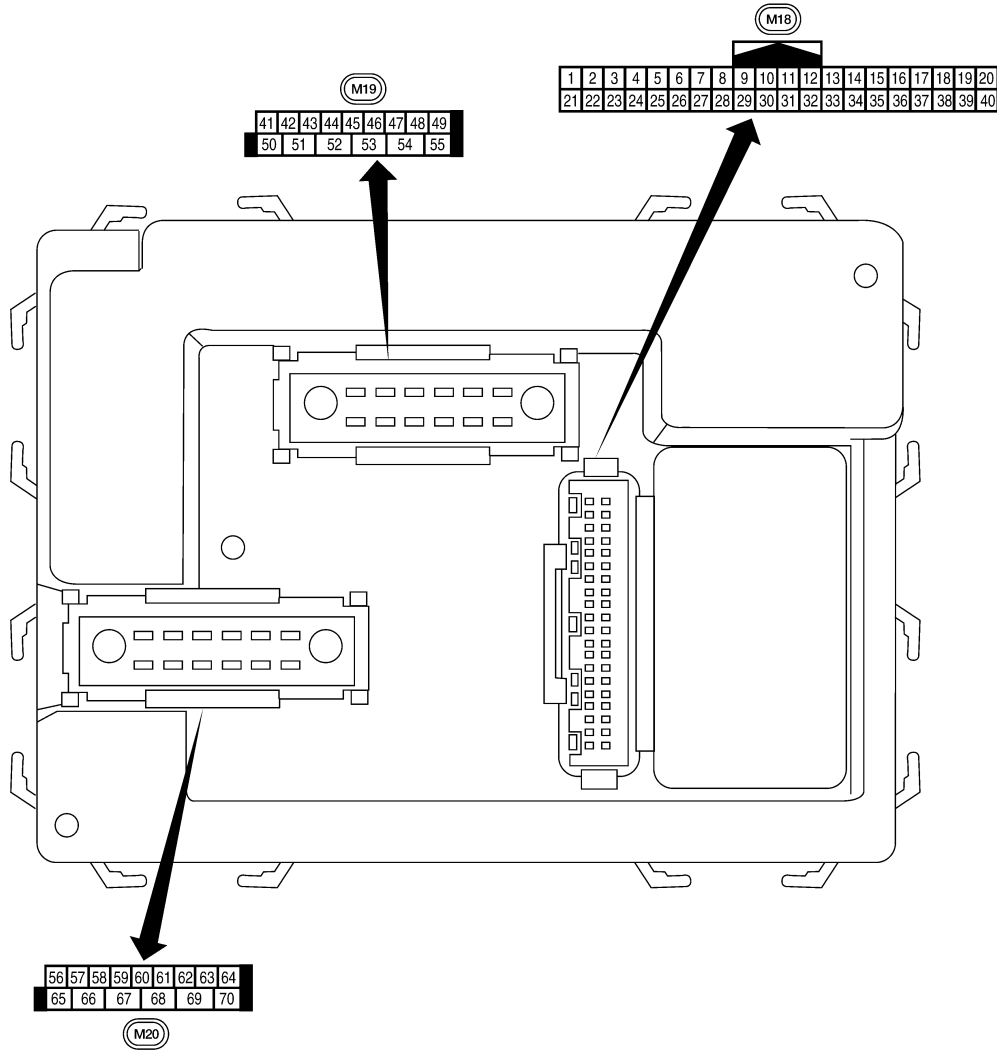
Monitor Item	Condition	Value/Status
KEYLESS UNLOCK	UNLOCK button of key fob is not pressed	Off
	UNLOCK button of key fob is pressed	On
LIGHT SW 1ST	Lighting switch OFF	Off
	Lighting switch 1st	On
OIL PRESS SW	• Ignition switch OFF or ACC • Engine running	Off
	Ignition switch ON	On
PASSING SW	Other than lighting switch PASS	Off
	Lighting switch PASS	On
REAR DEF SW	Rear window defogger switch OFF	Off
	Rear window defogger switch ON	On
TURN SIGNAL L	Turn signal switch OFF	Off
	Turn signal switch LH	On
TURN SIGNAL R	Turn signal switch OFF	Off
	Turn signal switch RH	On
VEHICLE SPEED	While driving	Equivalent to speedometer reading
WARNING LAMP	Low tire pressure warning lamp in combination meter OFF	Off
	Low tire pressure warning lamp in combination meter ON	On

BCM (BODY CONTROL MODULE)

< ECU DIAGNOSIS INFORMATION >

Terminal Layout

INFOID:000000007818519



A
B
C
D
E
F
G
H
I
J
DLK
L
M
N
O
P

DLK


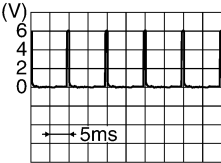

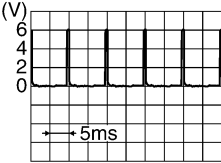
LIA2443E

Physical Values

INFOID:000000007818520

BCM (BODY CONTROL MODULE)

< ECU DIAGNOSIS INFORMATION >

Terminal	Wire color	Item	Signal input/output	Measuring condition		Reference value or waveform (Approx.)
				Ignition switch	Operation or condition	
1	BR	Ignition keyhole illumination	Output	OFF	Door is locked (SW OFF)	Battery voltage
					Door is unlocked (SW ON)	0V
2	P	Combination switch input 5	Input	ON	Lighting, turn, wiper OFF Wiper dial position 4	 <p style="text-align: right; font-size: small;">SKIA5291E</p>
3	SB	Combination switch input 4	Input	ON	Lighting, turn, wiper OFF Wiper dial position 4	 <p style="text-align: right; font-size: small;">SKIA5292E</p>
4	V	Combination switch input 3	Input	ON	Lighting, turn, wiper OFF Wiper dial position 4	 <p style="text-align: right; font-size: small;">SKIA5291E</p>
5	L	Combination switch input 2	Input	ON	Lighting, turn, wiper OFF Wiper dial position 4	 <p style="text-align: right; font-size: small;">SKIA5292E</p>
6	R	Combination switch input 1				
7	GR	Front door lock assembly LH (key cylinder switch) unlock	Input	OFF	ON (open, 2nd turn)	Momentary 1.5V
8	SB	Front door lock assembly LH (key cylinder switch) lock			OFF (closed)	0V
			On (open)	Momentary 1.5V		
9	Y	Rear window defogger switch	Input	ON	Rear window defogger switch ON	0V
					Rear window defogger switch OFF	5V
11	G/B	Ignition switch (ACC or ON)	Input	ACC or ON	Ignition switch ACC or ON	Battery voltage
12	LG	Front door switch RH (All)	Input	OFF	ON (open)	0V
		Rear door switch upper RH (King Cab)			OFF (closed)	Battery voltage
		Rear door switch lower RH (King Cab)				

BCM (BODY CONTROL MODULE)

< ECU DIAGNOSIS INFORMATION >

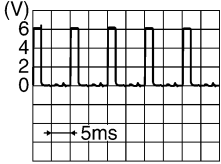
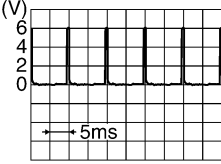
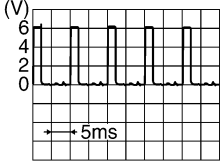
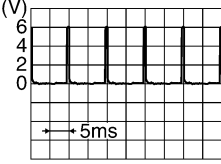
Terminal	Wire color	Item	Signal input/output	Measuring condition		Reference value or waveform (Approx.)
				Ignition switch	Operation or condition	
13	L	Rear door switch RH (Crew Cab)	Input	OFF	ON (open)	0V
					OFF (closed)	Battery voltage
15	W	Tire pressure warning check connector	Input	OFF	—	5V
18	BR	Remote keyless entry receiver (Ground)	Output	OFF	—	0V
19	V	Remote keyless entry receiver (power supply)	Output	OFF	Ignition switch OFF	
20	G	Remote keyless entry receiver signal (Signal)	Input	OFF	Stand-by (keyfob buttons released)	
					When remote keyless entry receiver receives signal from keyfob (keyfob buttons pressed)	
21	GR	NATS antenna amp.	Input	OFF → ON	Ignition switch (OFF → ON)	Just after turning ignition switch ON: Pointer of tester should move.
23	G	Security indicator lamp	Output	OFF	Goes OFF → illuminates (Every 2.4 seconds)	Battery voltage → 0V
25	BR	NATS antenna amp.	Input	OFF → ON	Ignition switch (OFF → ON)	Just after turning ignition switch ON: Pointer of tester should move.
27	W	Compressor ON signal	Input	ON	A/C switch OFF	5V
					A/C switch ON	0V
28	R	Front blower monitor	Input	ON	Front blower motor OFF	Battery voltage
					Front blower motor ON	0V
29	G	Hazard switch	Input	OFF	ON	0V
					OFF	5V
31	GR	Cargo lamp switch	Input	OFF	ON	0V
					OFF	Battery voltage

A
B
C
D
E
F
G
H
I
J
L
M
N
O
P

DLK

BCM (BODY CONTROL MODULE)

< ECU DIAGNOSIS INFORMATION >

Terminal	Wire color	Item	Signal input/output	Measuring condition		Reference value or waveform (Approx.)
				Ignition switch	Operation or condition	
32	O	Combination switch output 5	Output	ON	Lighting, turn, wiper OFF Wiper dial position 4	 <p style="text-align: right; font-size: small;">SKIA5291E</p>
33	GR	Combination switch output 4	Output	ON	Lighting, turn, wiper OFF Wiper dial position 4	 <p style="text-align: right; font-size: small;">SKIA5292E</p>
34	G	Combination switch output 3	Output	ON	Lighting, turn, wiper OFF Wiper dial position 4	 <p style="text-align: right; font-size: small;">SKIA5291E</p>
35	BR	Combination switch output 2	Output	ON	Lighting, turn, wiper OFF Wiper dial position 4	 <p style="text-align: right; font-size: small;">SKIA5292E</p>
36	LG	Combination switch output 1				
37	B	Key switch	Input	OFF	Key inserted	Battery voltage
					Key removed	0V
38	W/R	Ignition switch (ON)	Input	ON	—	Battery voltage
39	L	CAN-H	—	—	—	—
40	P	CAN-L	—	—	—	—
45	V	Lock switch	Input	OFF	ON (lock)	0V
					OFF	Battery voltage
46	LG	Unlock switch	Input	OFF	ON (unlock)	0V
					OFF	Battery voltage
47	GR	Front door switch LH (All)	Input	OFF	ON (open)	0V
		Rear door switch upper LH (King Cab)			OFF (closed)	Battery voltage
		Rear door switch lower LH (King Cab)				
48	P	Rear door switch LH (Crew Cab)	Input	OFF	ON (open)	0V
					OFF (closed)	Battery voltage
50	P	Cargo lamp	Output	OFF	Any door open (ON)	0V
					All doors closed (OFF)	Battery voltage

BCM (BODY CONTROL MODULE)

< ECU DIAGNOSIS INFORMATION >

Terminal	Wire color	Item	Signal input/output	Measuring condition		Reference value or waveform (Approx.)	
				Ignition switch	Operation or condition		
51	O	Trailer turn signal (right)	Output	ON	Turn right ON	<p style="text-align: right; font-size: small;">SKIA3009J</p>	
52	LG	Trailer turn signal (left)	Output	ON	Turn left ON	<p style="text-align: right; font-size: small;">SKIA3009J</p>	
56	R/Y	Battery saver output	Output	OFF	15 minutes (early production) or 10 minutes (late production) after ignition switch is turned OFF	0V	
				ON	—	Battery voltage	
57	R/Y	Battery power supply	Input	—	—	Battery voltage	
58	W	Optical sensor	Input	ON	When optical sensor is illuminated	3.1V or more	
					When optical sensor is not illuminated	0.6V or less	
59	GR	Front door lock assembly LH (unlock)	Output	OFF	OFF (neutral)	0V	
					ON (unlock)	Battery voltage	
60	LG	Turn signal (left)	Output	ON	Turn left ON	<p style="text-align: right; font-size: small;">SKIA3009J</p>	
61	G	Turn signal (right)	Output	ON	Turn right ON	<p style="text-align: right; font-size: small;">SKIA3009J</p>	
63	BR	Interior room/map lamp	Output	OFF	Any door switch	ON (open)	0V
					OFF (closed)	Battery voltage	
65	V	All door lock actuators (lock)	Output	OFF	OFF (neutral)	0V	
					ON (lock)	Battery voltage	
66	L	Front door lock actuator RH, rear door lock actuators LH/RH (unlock)	Output	OFF	OFF (neutral)	0V	
					ON (unlock)	Battery voltage	
67	B	Ground	Input	ON	—	0V	

A
B
C
D
E
F
G
H
I
J
K
L
M
N
O
P

DLK

BCM (BODY CONTROL MODULE)

< ECU DIAGNOSIS INFORMATION >

Terminal	Wire color	Item	Signal input/output	Measuring condition		Reference value or waveform (Approx.)
				Ignition switch	Operation or condition	
68 ¹	O	Power window power supply (RAP)	Output	—	Ignition switch ON	Battery voltage
					Within 45 seconds after ignition switch OFF	Battery voltage
					More than 45 seconds after ignition switch OFF	0V
					When front door LH or RH is open or power window timer operates	0V
68 ²	SB	Power window power supply (RAP)	Output	—	Ignition switch ON	Battery voltage
					Within 45 seconds after ignition switch OFF	Battery voltage
					More than 45 seconds after ignition switch OFF	0V
					When front door LH or RH is open or power window timer operates	0V
69	P	Power window power supply (BAT)	Output	OFF	—	Battery voltage
70	W	Battery power supply	Input	OFF	—	Battery voltage

1: King cab (with power door lock system)

2: Crew cab (without power door lock system)

Fail Safe

INFOID:000000007818521

Fail-safe index

BCM performs fail-safe control when any DTC listed below is detected.

Display contents of CONSULT	Fail-safe	Cancellation
U1000: CAN COMM CIRCUIT	Inhibit engine cranking	When the BCM re-establishes communication with the other modules.

DTC Inspection Priority Chart

INFOID:000000007818522

If some DTCs are displayed at the same time, perform inspections one by one based on the following priority chart.

Priority	DTC
1	<ul style="list-style-type: none"> U1000: CAN COMM CIRCUIT
2	<ul style="list-style-type: none"> B2190: NATS ANTENNA AMP B2191: DIFFERENCE OF KEY B2192: ID DISCORD BCM-ECM B2193: CHAIN OF BCM-ECM

BCM (BODY CONTROL MODULE)

< ECU DIAGNOSIS INFORMATION >

Priority	DTC
3	<ul style="list-style-type: none"> • C1729: VHCL SPEED SIG ERR • C1735: IGNITION SIGNAL
4	<ul style="list-style-type: none"> • C1704: LOW PRESSURE FL • C1705: LOW PRESSURE FR • C1706: LOW PRESSURE RR • C1707: LOW PRESSURE RL • C1708: [NO DATA] FL • C1709: [NO DATA] FR • C1710: [NO DATA] RR • C1711: [NO DATA] RL • C1712: [CHECKSUM ERR] FL • C1713: [CHECKSUM ERR] FR • C1714: [CHECKSUM ERR] RR • C1715: [CHECKSUM ERR] RL • C1716: [PRESSDATA ERR] FL • C1717: [PRESSDATA ERR] FR • C1718: [PRESSDATA ERR] RR • C1719: [PRESSDATA ERR] RL • C1720: [CODE ERR] FL • C1721: [CODE ERR] FR • C1722: [CODE ERR] RR • C1723: [CODE ERR] RL • C1724: [BATT VOLT LOW] FL • C1725: [BATT VOLT LOW] FR • C1726: [BATT VOLT LOW] RR • C1727: [BATT VOLT LOW] RL

DTC Index

INFOID:000000007818523

NOTE:

- Details of time display
- CRNT: Displays when there is a malfunction now or after returning to the normal condition until turning ignition switch OFF → ON again.
- 1 - 39: Displayed if any previous malfunction is present when current condition is normal. It increases like 1 → 2 → 3...38 → 39 after returning to the normal condition whenever ignition switch OFF → ON. The counter remains at 39 even if the number of cycles exceeds it. It is counted from 1 again when turning ignition switch OFF → ON after returning to the normal condition if the malfunction is detected again.

CONSULT display	Fail-safe	Low tire pressure warning lamp ON	Reference page
No DTC is detected. further testing may be required.	—	—	—
U1000: CAN COMM CIRCUIT	—	—	BCS-26
B2190: NATS ANTENA AMP	—	—	SEC-18
B2191: DIFFERENCE OF KEY	—	—	SEC-21
B2192: ID DISCORD BCM-ECM	—	—	SEC-22
B2193: CHAIN OF BCM-ECM	—	—	SEC-24
C1708: [NO DATA] FL	—	X	WT-14
C1709: [NO DATA] FR	—	X	WT-14
C1710: [NO DATA] RR	—	X	WT-14
C1711: [NO DATA] RL	—	X	WT-14
C1712: [CHECKSUM ERR] FL	—	X	WT-16
C1713: [CHECKSUM ERR] FR	—	X	WT-16
C1714: [CHECKSUM ERR] RR	—	X	WT-16
C1715: [CHECKSUM ERR] RL	—	X	WT-16

BCM (BODY CONTROL MODULE)

< ECU DIAGNOSIS INFORMATION >

CONSULT display	Fail-safe	Low tire pressure warning lamp ON	Reference page
C1716: [PRESSDATA ERR] FL	—	X	WT-18
C1717: [PRESSDATA ERR] FR	—	X	WT-18
C1718: [PRESSDATA ERR] RR	—	X	WT-18
C1719: [PRESSDATA ERR] RL	—	X	WT-18
C1720: [CODE ERR] FL	—	X	WT-16
C1721: [CODE ERR] FR	—	X	WT-16
C1722: [CODE ERR] RR	—	X	WT-16
C1723: [CODE ERR] RL	—	X	WT-16
C1724: [BATT VOLT LOW] FL	—	X	WT-16
C1725: [BATT VOLT LOW] FR	—	X	WT-16
C1726: [BATT VOLT LOW] RR	—	X	WT-16
C1727: [BATT VOLT LOW] RL	—	X	WT-16
C1729: VHCL SPEED SIG ERR	—	X	WT-20
C1735: IGNITION SIGNAL	—	X	WT-21

INTEGRATED HOMELINK TRANSMITTER

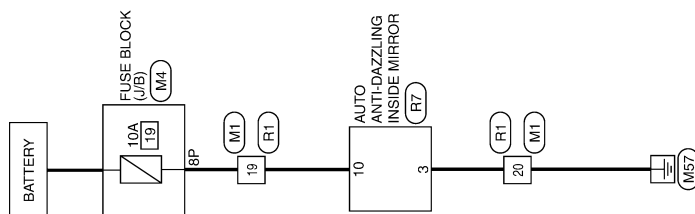
< WIRING DIAGRAM >

WIRING DIAGRAM

INTEGRATED HOMELINK TRANSMITTER

Wiring Diagram

INFOID:000000007327304



INTEGRATED HOMELINK TRANSMITTER

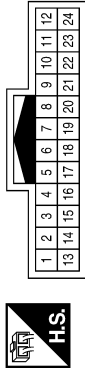
DLK

INTEGRATED HOMELINK TRANSMITTER

< WIRING DIAGRAM >

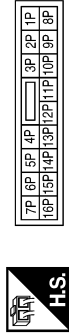
INTEGRATED HOMELINK TRANSMITTER CONNECTORS

Connector No.	M1
Connector Name	WIRE TO WIRE
Connector Color	WHITE



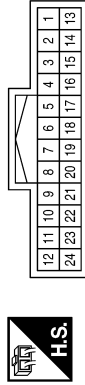
Terminal No.	Color of Wire	Signal Name
19	R/Y	-
20	B	-

Connector No.	M4
Connector Name	FUSE BLOCK (J/B)
Connector Color	WHITE



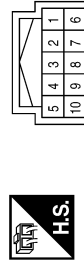
Terminal No.	Color of Wire	Signal Name
8P	R/Y	-

Connector No.	R1
Connector Name	WIRE TO WIRE
Connector Color	WHITE



Terminal No.	Color of Wire	Signal Name
19	R/Y	-
20	B	-

Connector No.	R7
Connector Name	AUTO ANTI-DAZZLING INSIDE MIRROR (WITH HOMELINK UNIVERSAL TRANSCIEVER)
Connector Color	BLACK



Terminal No.	Color of Wire	Signal Name
3	B	GND
10	R/Y	B

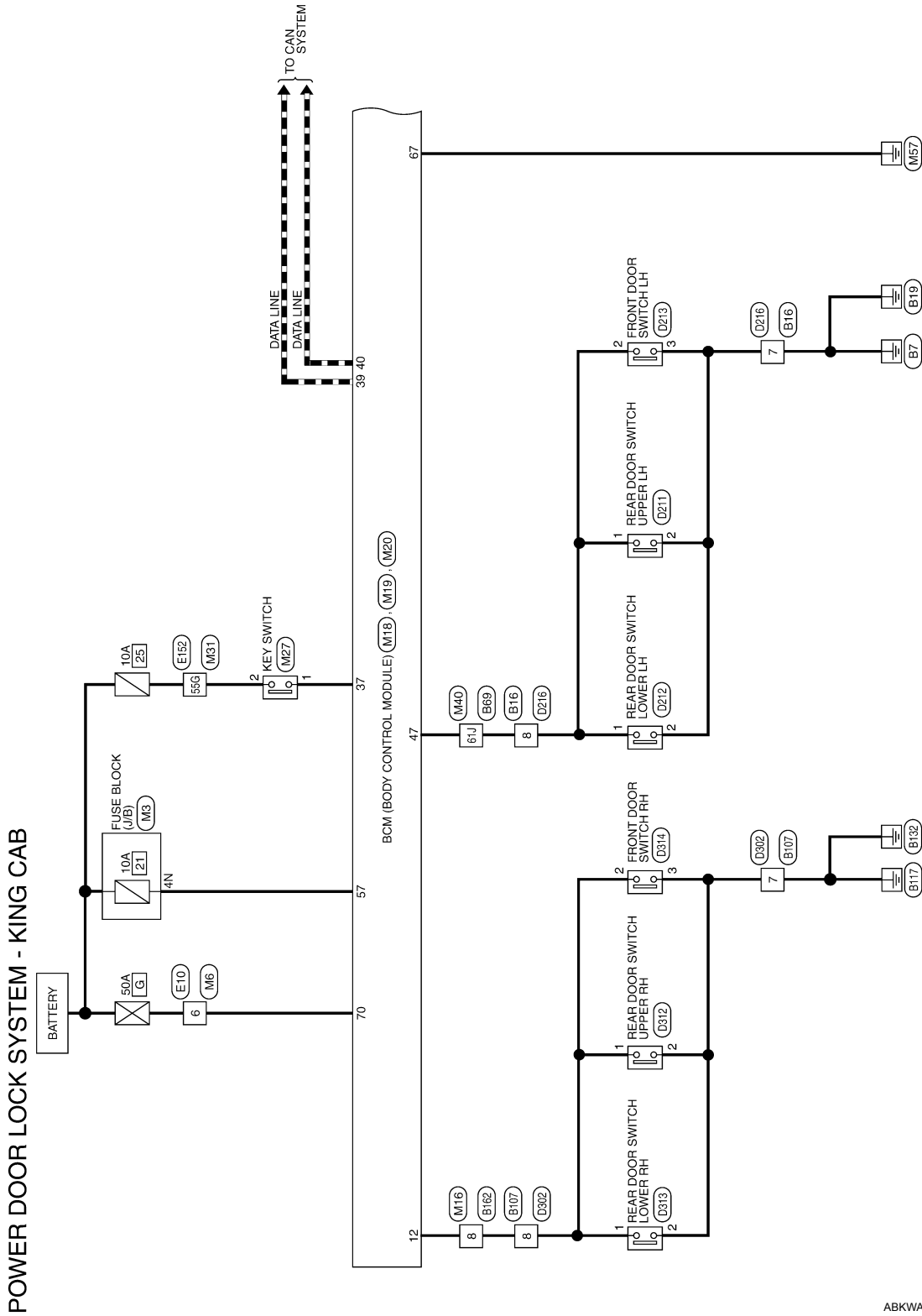
POWER DOOR LOCK SYSTEM

< WIRING DIAGRAM >

POWER DOOR LOCK SYSTEM

Wiring Diagram - King Cab

INFOID:000000007327305

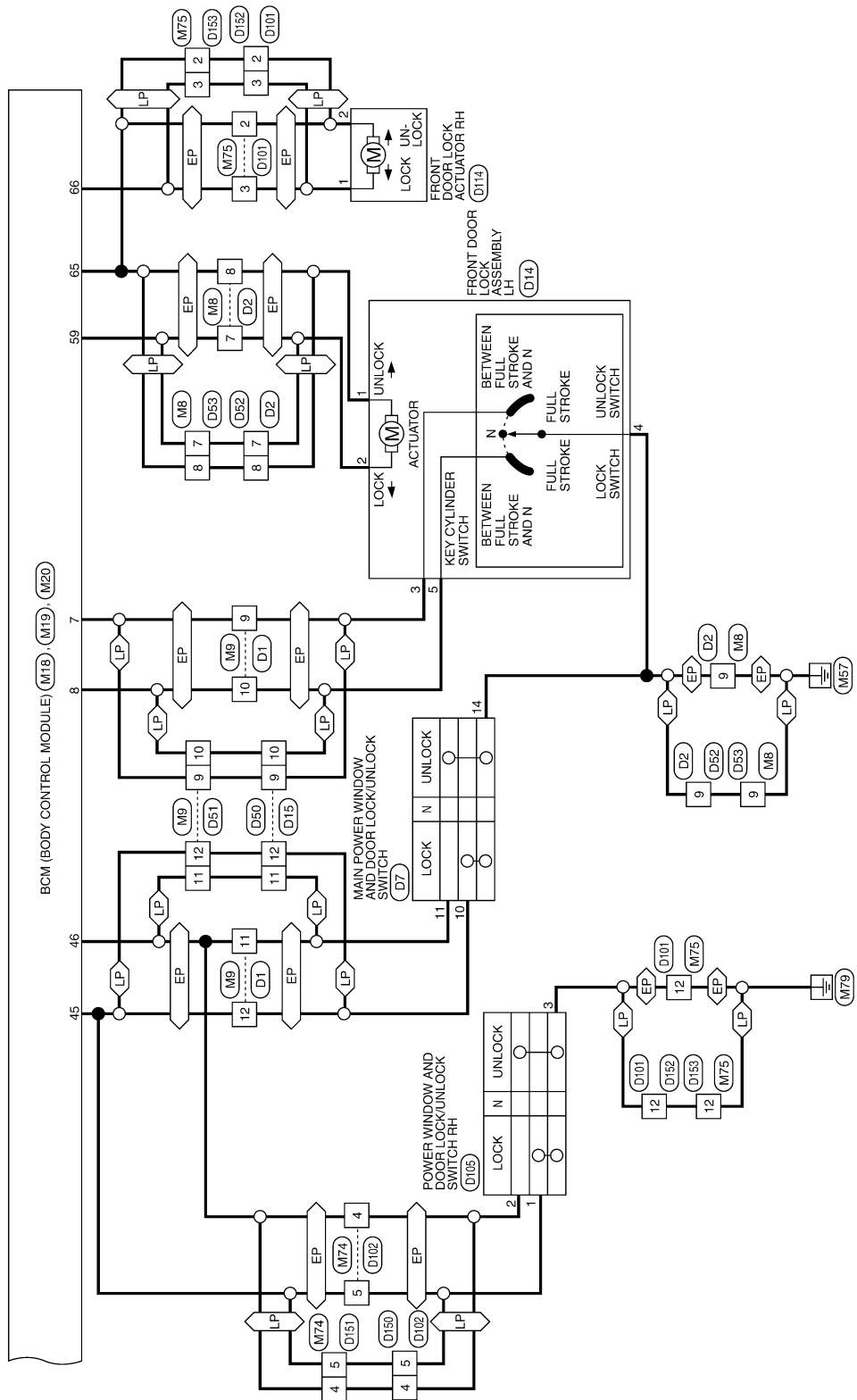


A
B
C
D
E
F
G
H
I
J
DLK
L
M
N
O
P

ABKWA1567GB

POWER DOOR LOCK SYSTEM

< WIRING DIAGRAM >



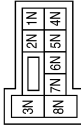
AAKWA0556GB

POWER DOOR LOCK SYSTEM

< WIRING DIAGRAM >

POWER DOOR LOCK SYSTEM CONNECTORS - KING CAB

Connector No.	M3
Connector Name	FUSE BLOCK (J/B)
Connector Color	WHITE



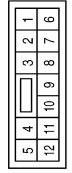
Terminal No.	Color of Wire	Signal Name
4N	R/Y	-

Connector No.	M6
Connector Name	WIRE TO WIRE
Connector Color	WHITE



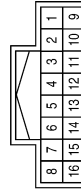
Terminal No.	Color of Wire	Signal Name
6	W	-

Connector No.	M8
Connector Name	WIRE TO WIRE
Connector Color	BROWN



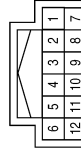
Terminal No.	Color of Wire	Signal Name
7	GR	-
8	V	-
9	B	-

Connector No.	M9
Connector Name	WIRE TO WIRE
Connector Color	WHITE



Terminal No.	Color of Wire	Signal Name
9	GR	-
10	SB	-
11	LG	-
12	V	-

Connector No.	M16
Connector Name	WIRE TO WIRE
Connector Color	WHITE



Terminal No.	Color of Wire	Signal Name
8	LG	-

AWKIA0497GB

A
B
C
D
E
F
G
H
I
J
DLK
L
M
N
O
P

POWER DOOR LOCK SYSTEM

< WIRING DIAGRAM >

Connector No.	M19
Connector Name	BCM (BODY CONTROL MODULE)
Connector Color	WHITE



41	42	43	44	45	46	47	48	49
50	51	52	53	54	55			

Terminal No.	Color of Wire	Signal Name
45	V	CDL LOCK SW
46	LG	CDL UNLOCK SW
47	GR	DOOR SW (DR)

Terminal No.	Color of Wire	Signal Name
7	GR	KEY CYLINDER UNLOCK SW
8	SB	KEY CYLINDER LOCK SW
12	LG	DOOR SW (AS)
37	B	KEY SW
39	L	CAN-H
40	P	CAN-L

Connector No.	M18
Connector Name	BCM (BODY CONTROL MODULE)
Connector Color	WHITE



1	2	3	4	5	6	7	8	9	10	11	12	13	14	15	16	17	18	19	20
21	22	23	24	25	26	27	28	29	30	31	32	33	34	35	36	37	38	39	40

Connector No.	M27
Connector Name	KEY SWITCH
Connector Color	WHITE



2	1
---	---

Terminal No.	Color of Wire	Signal Name
1	B	-
2	Y	-

Connector No.	M20
Connector Name	BCM (BODY CONTROL MODULE)
Connector Color	BLACK



56	57	58	59	60	61	62	63	64
65	66	67	68	69	70			

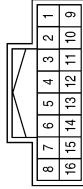
Terminal No.	Color of Wire	Signal Name
57	R/Y	BAT (FUSE)
59	GR	DOOR UNLOCK OUTPUT (DR)
65	V	DOOR LOCK OUTPUT (ALL)
66	L	DOOR UNLOCK OUTPUT (OTHER)
67	B	GND (POWER)
70	W	BAT (F/L)

ABKIA1839GB

POWER DOOR LOCK SYSTEM

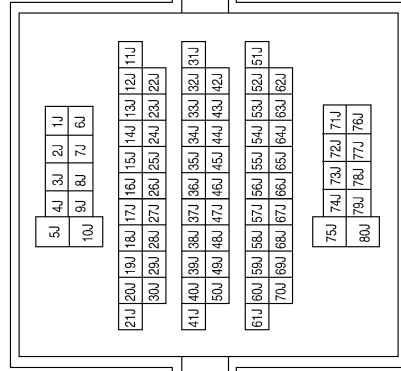
< WIRING DIAGRAM >

Connector No.	M74
Connector Name	WIRE TO WIRE
Connector Color	WHITE



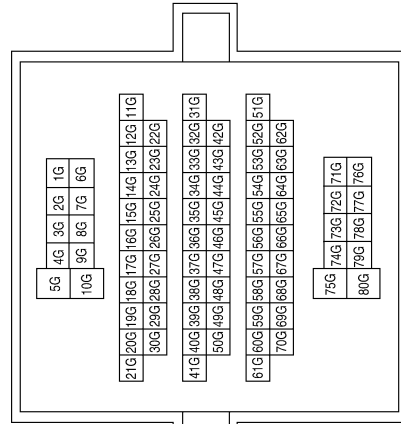
Terminal No.	Color of Wire	Signal Name
4	LG	-
5	P	-

Connector No.	M40
Connector Name	WIRE TO WIRE
Connector Color	WHITE



Terminal No.	Color of Wire	Signal Name
61J	GR	-

Connector No.	M31
Connector Name	WIRE TO WIRE
Connector Color	WHITE



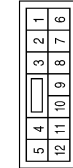
Terminal No.	Color of Wire	Signal Name
55G	Y	-

Connector No.	E10
Connector Name	WIRE TO WIRE
Connector Color	WHITE



Terminal No.	Color of Wire	Signal Name
6	W	-

Connector No.	M75
Connector Name	WIRE TO WIRE
Connector Color	WHITE



Terminal No.	Color of Wire	Signal Name
2	V	-
3	L	-
12	B	-

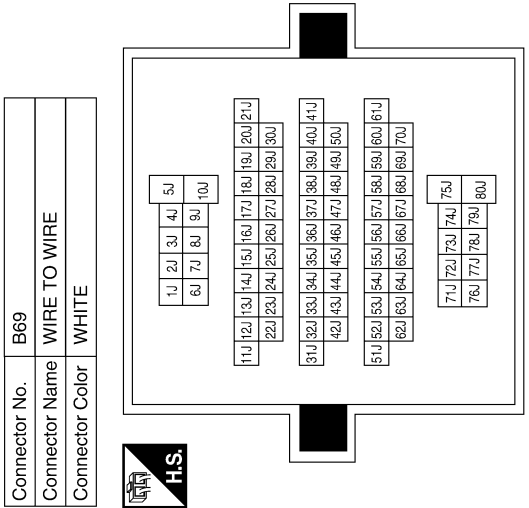
ABKIA0504GB

A
B
C
D
E
F
G
H
I
J
K
L
M
N
O
P

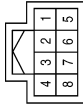
DLK

POWER DOOR LOCK SYSTEM

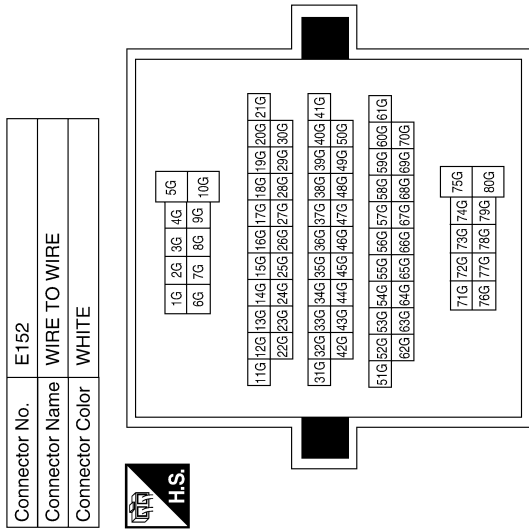
< WIRING DIAGRAM >



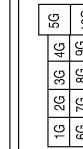
Connector No.	B16
Connector Name	WIRE TO WIRE
Connector Color	WHITE



Terminal No.	Color of Wire	Signal Name
7	B	-
8	GR	-



Connector No.	E152
Connector Name	WIRE TO WIRE
Connector Color	WHITE



Terminal No.	Color of Wire	Signal Name
55G	Y	-



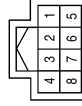
Connector No.	B162
Connector Name	WIRE TO WIRE
Connector Color	WHITE



Terminal No.	Color of Wire	Signal Name
8	LG	-



Connector No.	B107
Connector Name	WIRE TO WIRE
Connector Color	WHITE




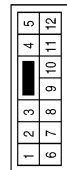
Terminal No.	Color of Wire	Signal Name
7	B	-
8	LG	-

ABKIA0505GB

POWER DOOR LOCK SYSTEM


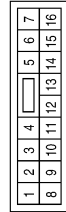
< WIRING DIAGRAM >

Connector No.	D2
Connector Name	WIRE TO WIRE
Connector Color	BROWN


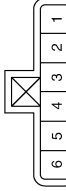
Terminal No.	Color of Wire	Signal Name
7	G	-
8	V	-
9	B	-

Connector No.	D7
Connector Name	MAIN POWER WINDOW AND DOOR LOCK/UNLOCK SWITCH
Connector Color	WHITE


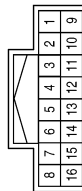
Terminal No.	Color of Wire	Signal Name
10	LG	-
11	W	-
14	B	-

Connector No.	D14
Connector Name	FRONT DOOR LOCK ASSEMBLY LH
Connector Color	GRAY

Terminal No.	Color of Wire	Signal Name
1	V	-
2	G	-
3	R/W	-
4	B	-
5	SB	-

Connector No.	D50
Connector Name	WIRE TO WIRE
Connector Color	WHITE

Terminal No.	Color of Wire	Signal Name
9	GR	-
10	SB	-
11	LG	-
12	V	-

Connector No.	D51
Connector Name	WIRE TO WIRE
Connector Color	WHITE




Terminal No.	Color of Wire	Signal Name
9	GR	-
10	SB	-
11	LG	-
12	V	-

Connector No.	D52
Connector Name	WIRE TO WIRE
Connector Color	BROWN




Terminal No.	Color of Wire	Signal Name
7	GR	-
8	V	-
9	B	-

AAKIA0557GB

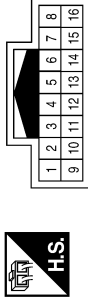
A
B
C
D
E
F
G
H
I
J
K
L
M
N
O
P

DLK

POWER DOOR LOCK SYSTEM

< WIRING DIAGRAM >

Connector No.	D102
Connector Name	WIRE TO WIRE
Connector Color	WHITE



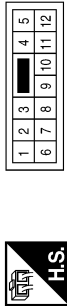
Terminal No.	Color of Wire	Signal Name
4	W	-
5	LG	-

Connector No.	D101
Connector Name	WIRE TO WIRE
Connector Color	WHITE



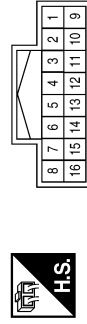
Terminal No.	Color of Wire	Signal Name
2	V	-
3	G/Y	-
12	B	-

Connector No.	D53
Connector Name	WIRE TO WIRE
Connector Color	BROWN



Terminal No.	Color of Wire	Signal Name
7	GR	-
8	V	-
9	B	-

Connector No.	D150
Connector Name	WIRE TO WIRE
Connector Color	WHITE



Terminal No.	Color of Wire	Signal Name
4	LG	-
5	P	-

Connector No.	D114
Connector Name	FRONT DOOR LOCK ACTUATOR RH
Connector Color	BROWN



Terminal No.	Color of Wire	Signal Name
1	G/Y	-
2	V	-

Connector No.	D105
Connector Name	POWER WINDOW AND DOOR LOCK/UNLOCK SWITCH RH
Connector Color	WHITE



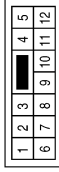
Terminal No.	Color of Wire	Signal Name
1	LG	-
2	W	-
3	B	-

AAKIA0558GB

POWER DOOR LOCK SYSTEM

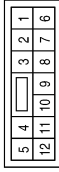
< WIRING DIAGRAM >

Connector No.	D153
Connector Name	WIRE TO WIRE
Connector Color	WHITE



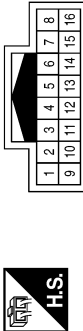
Terminal No.	Color of Wire	Signal Name
2	V	-
3	L	-
12	B	-

Connector No.	D152
Connector Name	WIRE TO WIRE
Connector Color	WHITE



Terminal No.	Color of Wire	Signal Name
2	V	-
3	L	-
12	B	-

Connector No.	D151
Connector Name	WIRE TO WIRE
Connector Color	WHITE



Terminal No.	Color of Wire	Signal Name
4	LG	-
5	P	-

Connector No.	D213
Connector Name	FRONT DOOR SWITCH LH (KING CAB)
Connector Color	WHITE



Terminal No.	Color of Wire	Signal Name
2	LG	-
3	B	-

Connector No.	D212
Connector Name	REAR DOOR SWITCH LOWER LH
Connector Color	BLACK



Terminal No.	Color of Wire	Signal Name
1	L	-
2	B	-

Connector No.	D211
Connector Name	REAR DOOR SWITCH UPPER LH
Connector Color	BLACK



Terminal No.	Color of Wire	Signal Name
1	LG	-
2	B	-

AAKIA0559GB

A
B
C
D
E
F
G
H
I
J
DLK
L
M
N
O
P

POWER DOOR LOCK SYSTEM

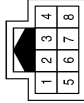
< WIRING DIAGRAM >

Connector No.	D312
Connector Name	REAR DOOR SWITCH UPPER RH
Connector Color	BLACK



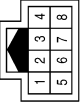
Terminal No.	Color of Wire	Signal Name
1	L	-
2	B	-

Connector No.	D302
Connector Name	WIRE TO WIRE
Connector Color	WHITE



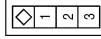
Terminal No.	Color of Wire	Signal Name
7	B	-
8	LG	-

Connector No.	D216
Connector Name	WIRE TO WIRE
Connector Color	WHITE



Terminal No.	Color of Wire	Signal Name
7	B	-
8	LG	-

Connector No.	D314
Connector Name	FRONT DOOR SWITCH RH (KING CAB)
Connector Color	WHITE



Terminal No.	Color of Wire	Signal Name
2	LG	-
3	B	-

Connector No.	D313
Connector Name	REAR DOOR SWITCH LOWER RH
Connector Color	BLACK



Terminal No.	Color of Wire	Signal Name
1	L	-
2	B	-

AAKIA0560GB

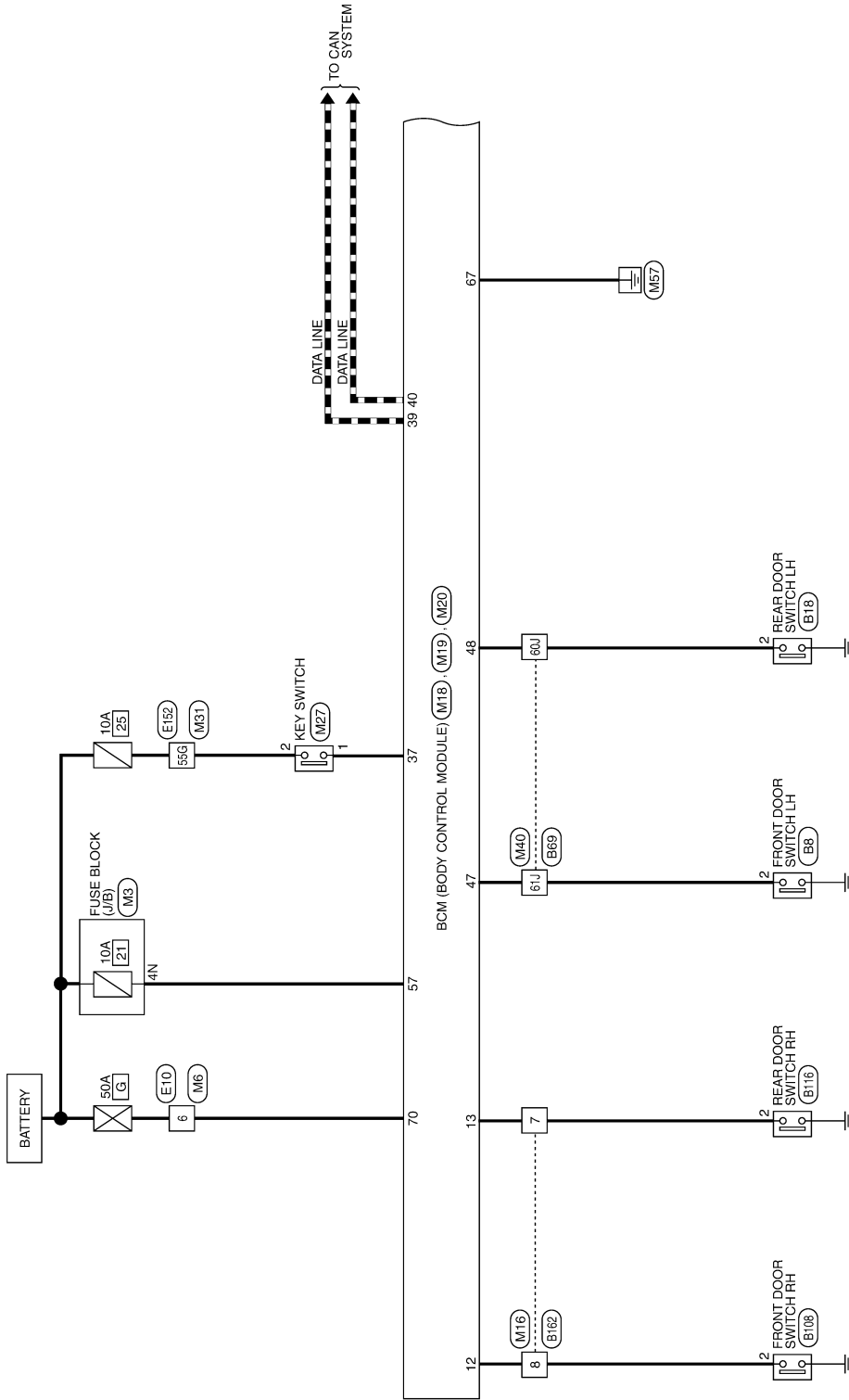
POWER DOOR LOCK SYSTEM

< WIRING DIAGRAM >

Wiring Diagram - Crew Cab

INFOID:000000007327306

POWER DOOR LOCK SYSTEM - CREW CAB

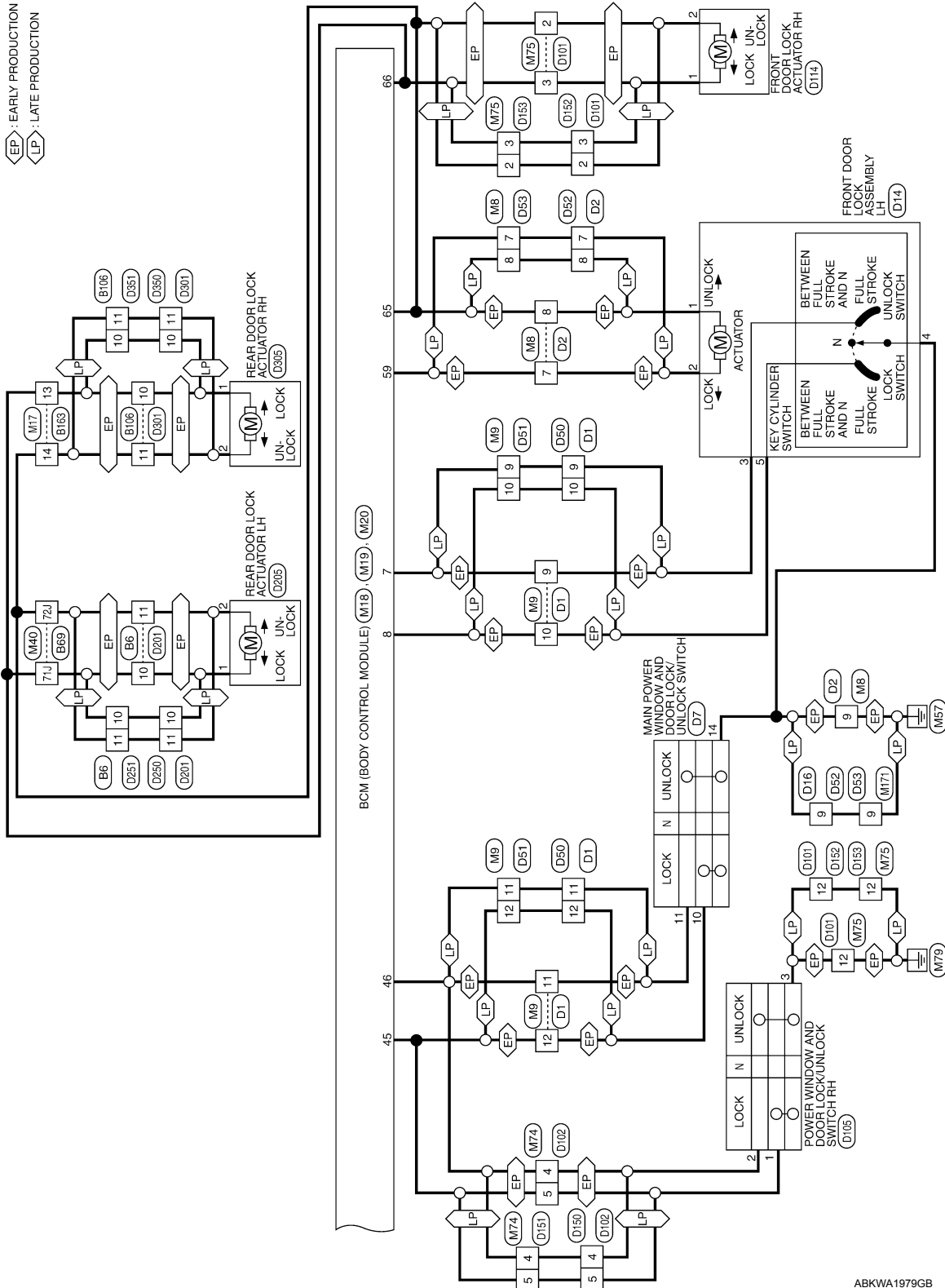


ABKWA1962GB

A
B
C
D
E
F
G
H
I
J
DLK
L
M
N
O
P

POWER DOOR LOCK SYSTEM

< WIRING DIAGRAM >

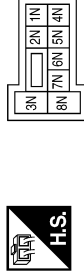


POWER DOOR LOCK SYSTEM

< WIRING DIAGRAM >

POWER DOOR LOCK SYSTEM CONNECTORS - CREW CAB

Connector No.	M3
Connector Name	FUSE BLOCK (J/B)
Connector Color	WHITE



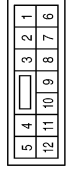
Terminal No.	Color of Wire	Signal Name
4N	R/Y	-

Connector No.	M6
Connector Name	WIRE TO WIRE
Connector Color	WHITE



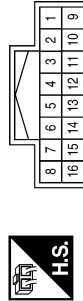
Terminal No.	Color of Wire	Signal Name
6	W	-

Connector No.	M8
Connector Name	WIRE TO WIRE
Connector Color	BROWN



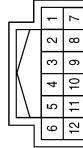
Terminal No.	Color of Wire	Signal Name
7	GR	-
8	V	-
9	B	-

Connector No.	M9
Connector Name	WIRE TO WIRE
Connector Color	WHITE



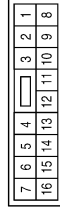
Terminal No.	Color of Wire	Signal Name
9	GR	-
10	SB	-
11	LG	-
12	V	-

Connector No.	M16
Connector Name	WIRE TO WIRE
Connector Color	WHITE



Terminal No.	Color of Wire	Signal Name
7	L	-
8	LG	-

Connector No.	M17
Connector Name	WIRE TO WIRE
Connector Color	WHITE



Terminal No.	Color of Wire	Signal Name
13	SB	-
14	V	-

ABKIA0669GB

A
B
C
D
E
F
G
H
I
J
L
M
N
O
P

DLK

POWER DOOR LOCK SYSTEM

< WIRING DIAGRAM >

Connector No.	M19
Connector Name	BCM (BODY CONTROL MODULE)
Connector Color	WHITE



41	42	43	44	45	46	47	48	49
50	51	52	53	54	55			

Terminal No.	Color of Wire	Signal Name
45	V	CDL LOCK SW
46	LG	CDL UNLOCK SW
47	GR	DOOR SW (DR)
48	P	DOOR SW (RL)

Terminal No.	Color of Wire	Signal Name
7	GR	KEY CYLINDER UNLOCK SW
8	SB	KEY CYLINDER LOCK SW
12	LG	DOOR SW (AS)
13	L	DOOR SW (RR)
37	B	KEY SW
39	L	CAN-H
40	P	CAN-L

Connector No.	M18
Connector Name	BCM (BODY CONTROL MODULE)
Connector Color	WHITE



1	2	3	4	5	6	7	8	9	10	11	12	13	14	15	16	17	18	19	20
21	22	23	24	25	26	27	28	29	30	31	32	33	34	35	36	37	38	39	40

Connector No.	M27
Connector Name	KEY SWITCH
Connector Color	WHITE



2	1
---	---

Terminal No.	Color of Wire	Signal Name
1	B	-
2	Y	-

Connector No.	M20
Connector Name	BCM (BODY CONTROL MODULE)
Connector Color	BLACK



56	57	58	59	60	61	62	63	64
65	66	67	68	69	70			

Terminal No.	Color of Wire	Signal Name
57	R/Y	BAT (FUSE)
59	GR	DOOR UNLOCK OUTPUT (DR)
65	V	DOOR LOCK OUTPUT (ALL)
66	L	DOOR UNLOCK OUTPUT (OTHER)
67	B	GND (POWER)
70	W	BAT (F/L)

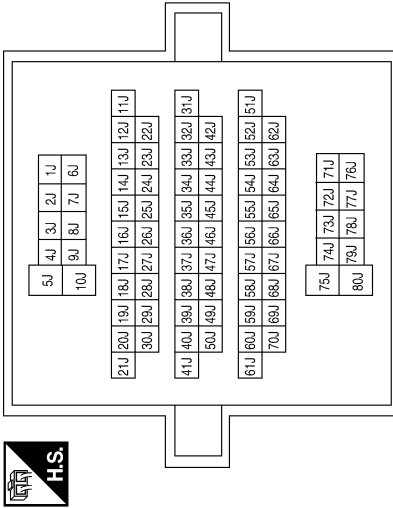
ABKIA1841GB

POWER DOOR LOCK SYSTEM

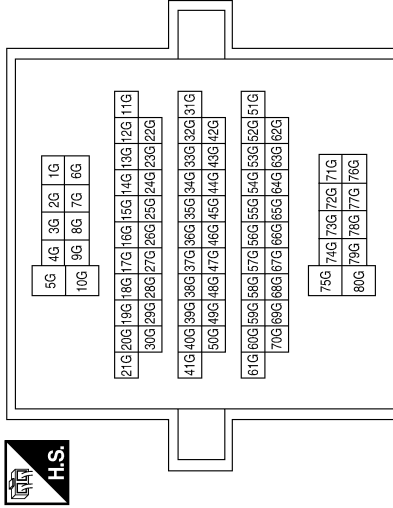
< WIRING DIAGRAM >

Terminal No.	Color of Wire	Signal Name
60J	P	-
61J	GR	-
71J	L	-
72J	V	-

Connector No.	M40
Connector Name	WIRE TO WIRE
Connector Color	WHITE

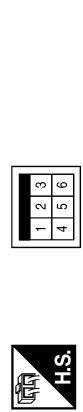


Connector No.	M31
Connector Name	WIRE TO WIRE
Connector Color	WHITE



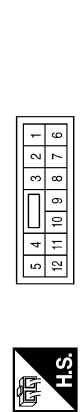
Terminal No.	Color of Wire	Signal Name
55G	Y	-

Connector No.	E10
Connector Name	WIRE TO WIRE
Connector Color	WHITE



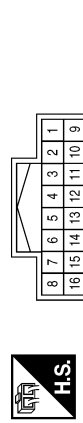
Terminal No.	Color of Wire	Signal Name
6	W	-

Connector No.	M75
Connector Name	WIRE TO WIRE
Connector Color	WHITE



Terminal No.	Color of Wire	Signal Name
2	V	-
3	L	-
12	B	-

Connector No.	M74
Connector Name	WIRE TO WIRE
Connector Color	WHITE



Terminal No.	Color of Wire	Signal Name
4	LG	-
5	P	-

ABKIA0509GB

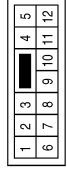
A
B
C
D
E
F
G
H
I
J
K
L
M
N
O
P

DLK

POWER DOOR LOCK SYSTEM

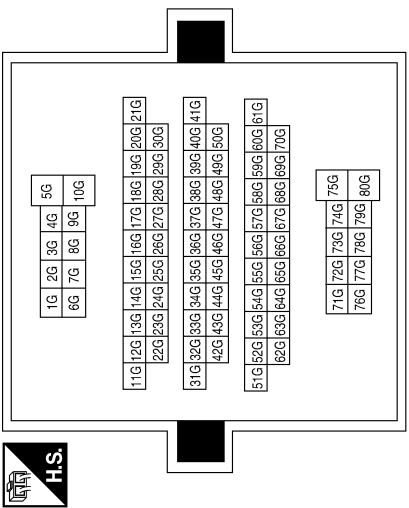
< WIRING DIAGRAM >

Connector No.	B6
Connector Name	WIRE TO WIRE
Connector Color	WHITE

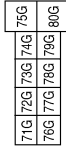
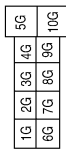


Terminal No.	Color of Wire	Signal Name
10	L	-
11	V	-

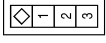
Terminal No.	55G	Color of Wire	Y	Signal Name	-
--------------	-----	---------------	---	-------------	---



Connector No.	E152
Connector Name	WIRE TO WIRE
Connector Color	WHITE

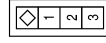


Connector No.	B18
Connector Name	REAR DOOR SWITCH LH
Connector Color	WHITE



Terminal No.	2	Color of Wire	P	Signal Name	-
--------------	---	---------------	---	-------------	---

Connector No.	B8
Connector Name	FRONT DOOR SWITCH LH (CREW CAB)
Connector Color	WHITE



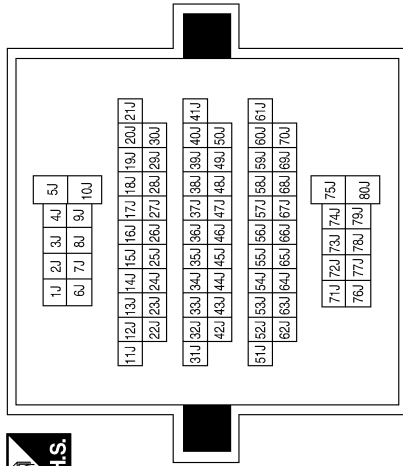
Terminal No.	2	Color of Wire	GR	Signal Name	-
--------------	---	---------------	----	-------------	---

ABKIA0510GB

POWER DOOR LOCK SYSTEM

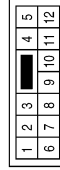
< WIRING DIAGRAM >

Connector No.	B69
Connector Name	WIRE TO WIRE
Connector Color	WHITE



Terminal No.	Color of Wire	Signal Name
60J	P	-
61J	GR	-
71J	L	-
72J	V	-

Connector No.	B106
Connector Name	WIRE TO WIRE
Connector Color	WHITE



Terminal No.	Color of Wire	Signal Name
10	SB	-
11	V	-

Connector No.	B108
Connector Name	FRONT DOOR SWITCH RH (CREW CAB)
Connector Color	WHITE



Terminal No.	Color of Wire	Signal Name
2	LG	-

Connector No.	B116
Connector Name	REAR DOOR SWITCH RH
Connector Color	WHITE



Terminal No.	Color of Wire	Signal Name
2	L	-

Connector No.	B162
Connector Name	WIRE TO WIRE
Connector Color	WHITE



Terminal No.	Color of Wire	Signal Name
7	L	-
8	LG	-

ABKIA0511GB

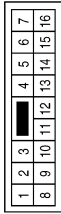
A
B
C
D
E
F
G
H
I
J
K
L
M
N
O
P

DLK

POWER DOOR LOCK SYSTEM

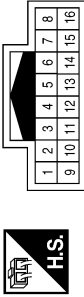
< WIRING DIAGRAM >

Connector No.	B163
Connector Name	WIRE TO WIRE
Connector Color	WHITE



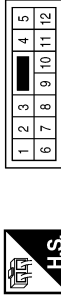
Terminal No.	Color of Wire	Signal Name
13	SB	-
14	V	-

Connector No.	D1
Connector Name	WIRE TO WIRE
Connector Color	WHITE



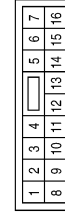
Terminal No.	Color of Wire	Signal Name
9	R/W	-
10	SB	-
11	W	-
12	LG	-

Connector No.	D2
Connector Name	WIRE TO WIRE
Connector Color	BROWN



Terminal No.	Color of Wire	Signal Name
7	G	-
8	V	-
9	B	-

Connector No.	D7
Connector Name	MAIN POWER WINDOW AND DOOR LOCK/UNLOCK SWITCH
Connector Color	WHITE



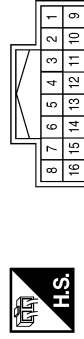
Terminal No.	Color of Wire	Signal Name
10	LG	-
11	W	-
14	B	-

Connector No.	D14
Connector Name	FRONT DOOR LOCK ASSEMBLY LH
Connector Color	GRAY



Terminal No.	Color of Wire	Signal Name
1	V	-
2	G	-
3	R/W	-
4	B	-
5	SB	-

Connector No.	D50
Connector Name	WIRE TO WIRE
Connector Color	WHITE



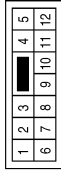
Terminal No.	Color of Wire	Signal Name
9	GR	-
10	SB	-
11	LG	-
12	V	-

ABKIA4291GB

POWER DOOR LOCK SYSTEM

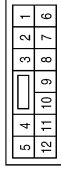
< WIRING DIAGRAM >

Connector No.	D53
Connector Name	WIRE TO WIRE
Connector Color	BROWN



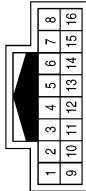
Terminal No.	Color of Wire	Signal Name
7	GR	-
8	V	-
9	B	-

Connector No.	D52
Connector Name	WIRE TO WIRE
Connector Color	BROWN



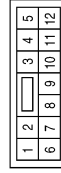
Terminal No.	Color of Wire	Signal Name
7	GR	-
8	V	-
9	B	-

Connector No.	D51
Connector Name	WIRE TO WIRE
Connector Color	WHITE



Terminal No.	Color of Wire	Signal Name
9	GR	-
10	SB	-
11	LG	-
12	V	-

Connector No.	D105
Connector Name	POWER WINDOW AND DOOR LOCK/UNLOCK SWITCH RH
Connector Color	WHITE



Terminal No.	Color of Wire	Signal Name
1	LG	-
2	W	-
3	B	-

Connector No.	D102
Connector Name	WIRE TO WIRE
Connector Color	WHITE



Terminal No.	Color of Wire	Signal Name
4	W	-
5	LG	-

Connector No.	D101
Connector Name	WIRE TO WIRE
Connector Color	WHITE



Terminal No.	Color of Wire	Signal Name
2	V	-
3	G/Y	-
12	B	-

ABKIA4292GB

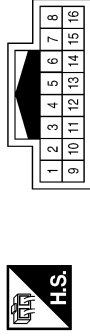
A
B
C
D
E
F
G
H
I
J
K
L
M
N
O
P

DLK

POWER DOOR LOCK SYSTEM

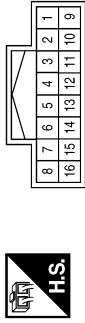
< WIRING DIAGRAM >

Connector No.	D151
Connector Name	WIRE TO WIRE
Connector Color	WHITE



Terminal No.	Color of Wire	Signal Name
4	LG	-
5	P	-

Connector No.	D150
Connector Name	WIRE TO WIRE
Connector Color	WHITE



Terminal No.	Color of Wire	Signal Name
4	LG	-
5	P	-

Connector No.	D114
Connector Name	FRONT DOOR LOCK ACTUATOR RH
Connector Color	BROWN



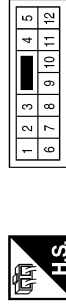
Terminal No.	Color of Wire	Signal Name
1	G/Y	-
2	V	-

Connector No.	D201
Connector Name	WIRE TO WIRE
Connector Color	WHITE



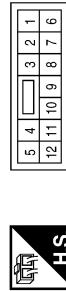
Terminal No.	Color of Wire	Signal Name
10	G	-
11	V	-

Connector No.	D153
Connector Name	WIRE TO WIRE
Connector Color	WHITE



Terminal No.	Color of Wire	Signal Name
2	V	-
3	L	-
12	B	-

Connector No.	D152
Connector Name	WIRE TO WIRE
Connector Color	WHITE



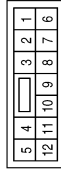
Terminal No.	Color of Wire	Signal Name
2	V	-
3	L	-
12	B	-

ABKIA4293GB

POWER DOOR LOCK SYSTEM

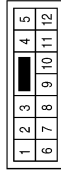
< WIRING DIAGRAM >

Connector No.	D251
Connector Name	WIRE TO WIRE
Connector Color	WHITE



Terminal No.	Color of Wire	Signal Name
10	G	-
11	V	-

Connector No.	D250
Connector Name	WIRE TO WIRE
Connector Color	WHITE



Terminal No.	Color of Wire	Signal Name
10	G	-
11	V	-

Connector No.	D205
Connector Name	REAR DOOR LOCK ACTUATOR LH
Connector Color	BROWN



Terminal No.	Color of Wire	Signal Name
1	G	-
2	V	-

Connector No.	D350
Connector Name	WIRE TO WIRE
Connector Color	WHITE



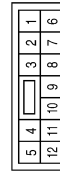
Terminal No.	Color of Wire	Signal Name
10	G	-
11	V	-

Connector No.	D305
Connector Name	REAR DOOR LOCK ACTUATOR RH
Connector Color	BROWN



Terminal No.	Color of Wire	Signal Name
1	G	-
2	V	-

Connector No.	D301
Connector Name	WIRE TO WIRE
Connector Color	WHITE



Terminal No.	Color of Wire	Signal Name
10	G	-
11	V	-

ABKIA4294GB

A
B
C
D
E
F
G
H
I
J
DLK
L
M
N
O
P

POWER DOOR LOCK SYSTEM

< WIRING DIAGRAM >

Connector No.	D351
Connector Name	WIRE TO WIRE
Connector Color	WHITE



5	4	3	2	1
12	11	10	9	8
7	6			

Terminal No.	Color of Wire	Signal Name
10	G	-
11	V	-

ABKIA4345GB

REMOTE KEYLESS ENTRY SYSTEM

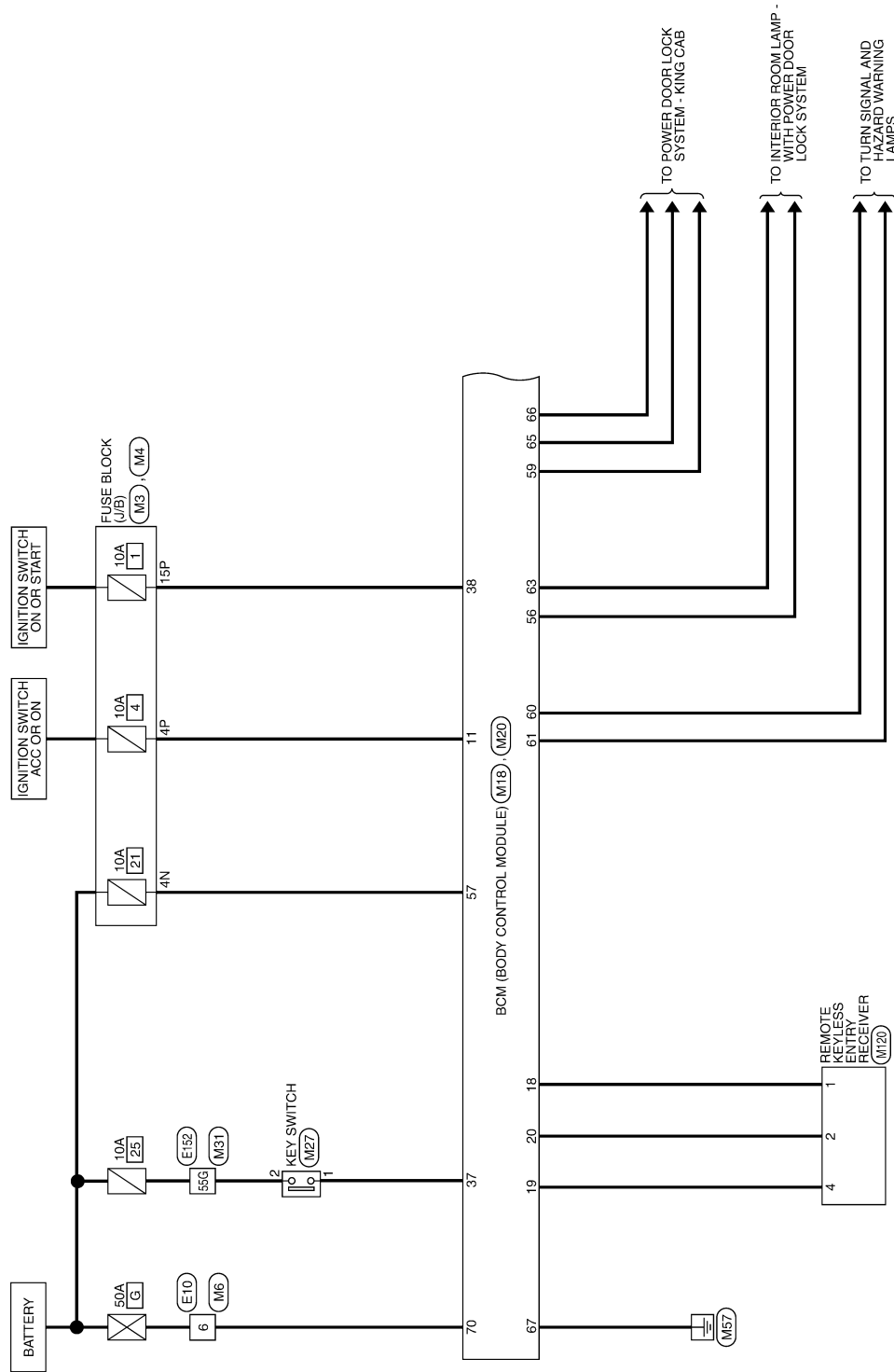
< WIRING DIAGRAM >

REMOTE KEYLESS ENTRY SYSTEM

Wiring Diagram - King Cab

INFOID:000000007327307

REMOTE KEYLESS ENTRY SYSTEM - KING CAB

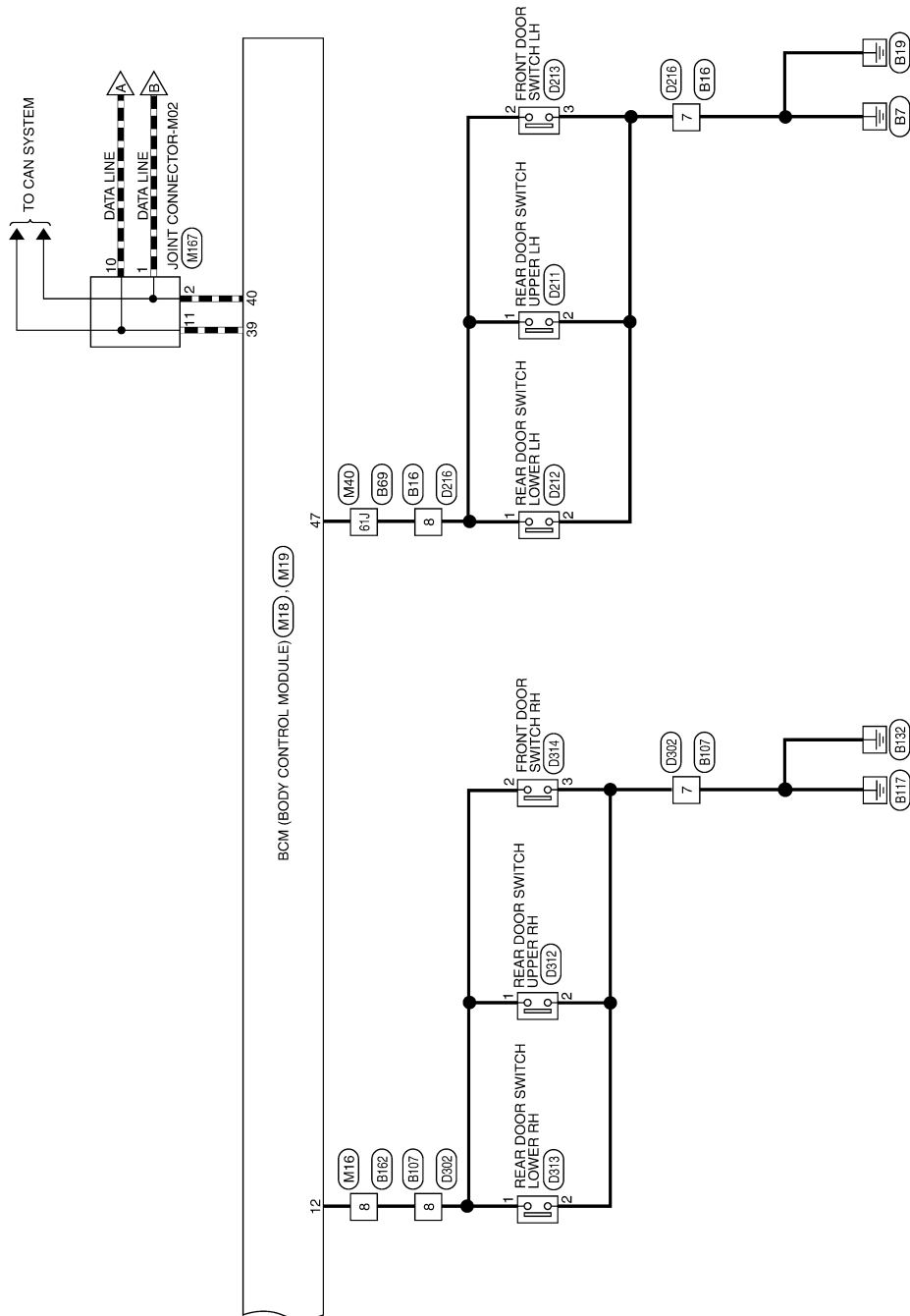


A
B
C
D
E
F
G
H
I
J
DLK
L
M
N
O
P

ABKWA1570GB

REMOTE KEYLESS ENTRY SYSTEM

< WIRING DIAGRAM >

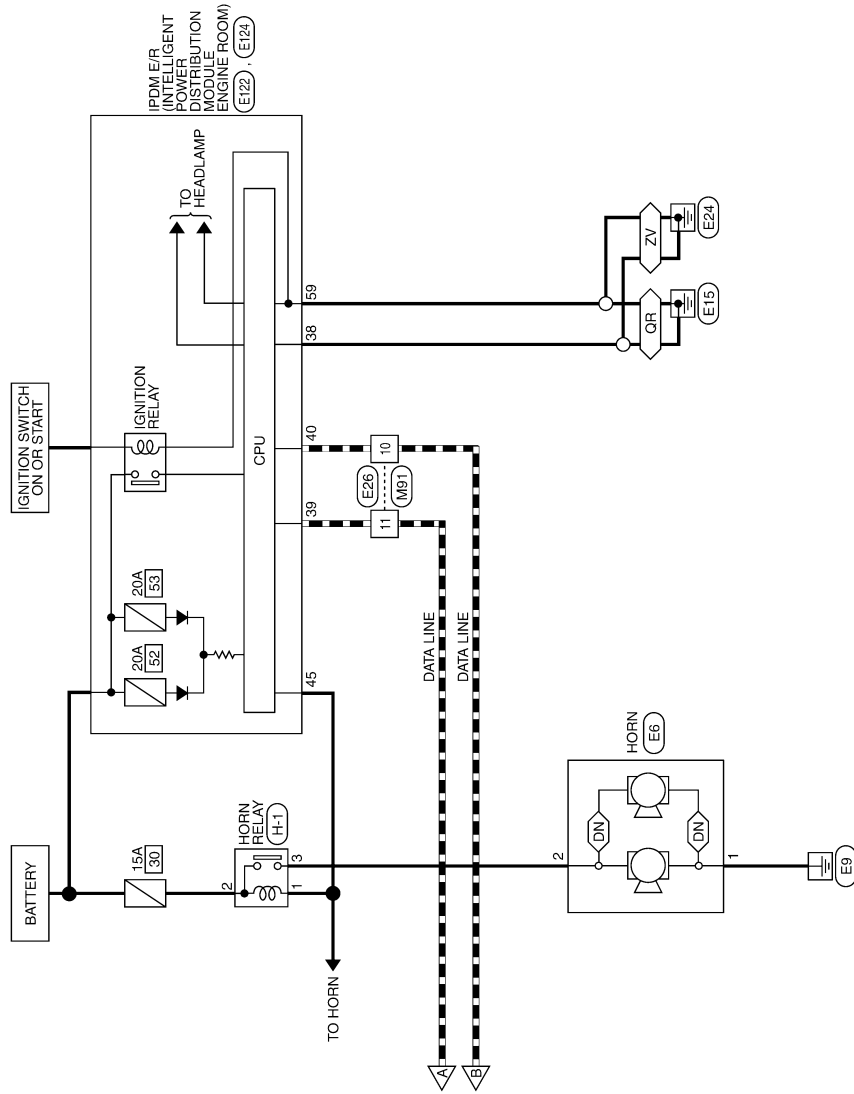


ABKWA1571GB

REMOTE KEYLESS ENTRY SYSTEM

< WIRING DIAGRAM >

DN : WITH DUAL NOTE HORN
QR : WITH QR25DE
ZV : WITH VQ40DE



ABKWA0631GB

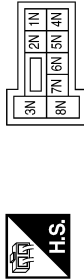
A
B
C
D
E
F
G
H
I
J
DLK
L
M
N
O
P

REMOTE KEYLESS ENTRY SYSTEM

< WIRING DIAGRAM >

REMOTE KEYLESS ENTRY SYSTEM CONNECTORS - KING CAB

Connector No.	M3
Connector Name	FUSE BLOCK (J/B)
Connector Color	WHITE



Terminal No.	4N	Color of Wire	R/Y	Signal Name	-
--------------	----	---------------	-----	-------------	---

Connector No.	M4
Connector Name	FUSE BLOCK (J/B)
Connector Color	WHITE



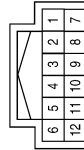
Terminal No.	4P	Color of Wire	G/B	Signal Name	-
15P		W/R			-

Connector No.	M6
Connector Name	WIRE TO WIRE
Connector Color	WHITE



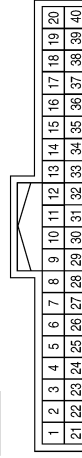
Terminal No.	6	Color of Wire	W	Signal Name	-
--------------	---	---------------	---	-------------	---

Connector No.	M16
Connector Name	WIRE TO WIRE
Connector Color	WHITE



Terminal No.	8	Color of Wire	LG	Signal Name	-
--------------	---	---------------	----	-------------	---

Connector No.	M18
Connector Name	BCM (BODY CONTROL MODULE)
Connector Color	WHITE



Terminal No.	Color of Wire	Signal Name
11	G/B	ACC SW
12	LG	DOOR SW (AS)
18	BR	KEYLESS & AUTO LIGHT SENSOR GND
19	V	KEYLESS TUNER POWER SUPPLY OUTPUT
20	G	KEYLESS TUNER SIGNAL
37	B	KEY SW
38	W/R	IGN SW
39	L	CAN-H
40	P	CAN-L

REMOTE KEYLESS ENTRY SYSTEM

< WIRING DIAGRAM >

Terminal No.	Color of Wire	Signal Name
60	LG	FLASHER OUTPUT (LEFT)
61	G	FLASHER OUTPUT (RIGHT)
63	BR	ROOM LAMP OUTPUT
65	V	DOOR LOCK OUTPUT (ALL)
66	L	DOOR UNLOCK OUTPUT (OTHER)
67	B	GND (POWER)
70	W	BAT (FL)

Connector No.	M20
Connector Name	BCM (BODY CONTROL MODULE)
Connector Color	BLACK



Terminal No.	Color of Wire	Signal Name
56	R/Y	BATTERY SAVER OUTPUT
57	R/Y	BAT (FUSE)
59	GR	DOOR UNLOCK OUTPUT (DR)

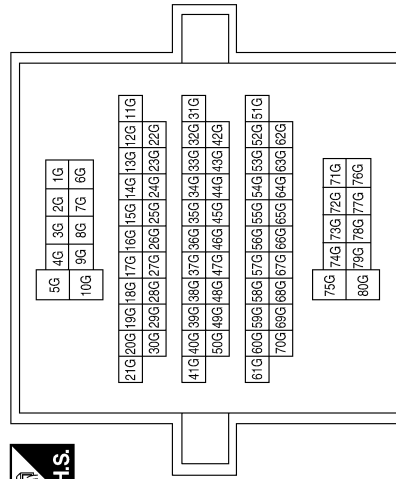
Connector No.	M19
Connector Name	BCM (BODY CONTROL MODULE)
Connector Color	WHITE



Terminal No.	Color of Wire	Signal Name
47	GR	DOOR SW (DR)

Terminal No.	Color of Wire	Signal Name
55G	Y	-

Connector No.	M31
Connector Name	WIRE TO WIRE
Connector Color	WHITE



Connector No.	M27
Connector Name	KEY SWITCH
Connector Color	WHITE



Terminal No.	Color of Wire	Signal Name
1	B	-
2	Y	-

ABKIA1843GB

A B C D E F G H I J L M N O P

DLK

REMOTE KEYLESS ENTRY SYSTEM

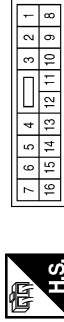
< WIRING DIAGRAM >

Connector No.	M120
Connector Name	REMOTE KEYLESS ENTRY RECEIVER
Connector Color	WHITE



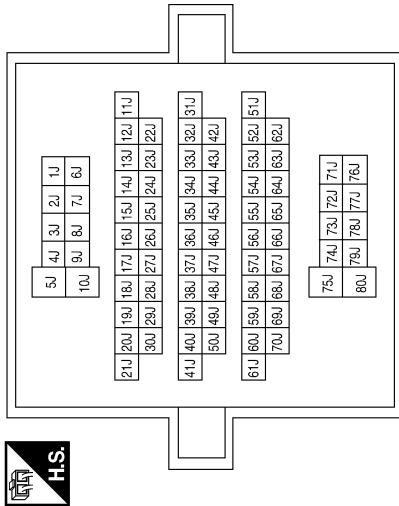
Terminal No.	Color of Wire	Signal Name
1	BR	GND
2	G	SIGNAL
4	V	POWER

Connector No.	M91
Connector Name	WIRE TO WIRE
Connector Color	WHITE



Terminal No.	Color of Wire	Signal Name
10	P	-
11	L	-

Connector No.	M40
Connector Name	WIRE TO WIRE
Connector Color	WHITE



Terminal No.	Color of Wire	Signal Name
61J	GR	-

Connector No.	E10
Connector Name	WIRE TO WIRE
Connector Color	WHITE



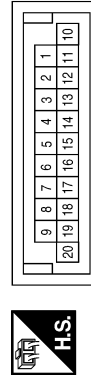
Terminal No.	Color of Wire	Signal Name
6	W	-

Connector No.	E6
Connector Name	HORN
Connector Color	BLACK



Terminal No.	Color of Wire	Signal Name
1	B	-
2	G	-

Connector No.	M167
Connector Name	JOINT CONNECTOR-M02
Connector Color	BLUE



Terminal No.	Color of Wire	Signal Name
1	P	-
2	P	-
10	L	-
11	L	-

ABKIA3337GB

REMOTE KEYLESS ENTRY SYSTEM

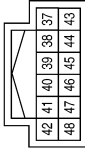
< WIRING DIAGRAM >

Connector No.	E124
Connector Name	IPDM E/R (INTELLIGENT POWER DISTRIBUTION MODULE ENGINE ROOM)
Connector Color	BLACK



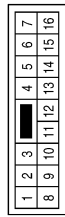
Terminal No.	Color of Wire	Signal Name
59	B	GND (POWER)

Connector No.	E122
Connector Name	IPDM E/R (INTELLIGENT POWER DISTRIBUTION MODULE ENGINE ROOM)
Connector Color	WHITE



Terminal No.	Color of Wire	Signal Name
38	B	GND (SIGNAL)
39	L	CAN-H
40	P	CAN-L
45	LG	ANT THEFT HORN

Connector No.	E26
Connector Name	WIRE TO WIRE
Connector Color	WHITE



Terminal No.	Color of Wire	Signal Name
10	P	-
11	L	-

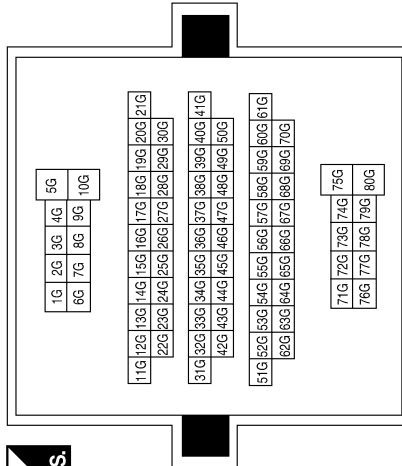
Connector No.	B16
Connector Name	WIRE TO WIRE
Connector Color	WHITE



Terminal No.	Color of Wire	Signal Name
7	B	-
8	GR	-

Terminal No.	55G	Color of Wire	Y	Signal Name	-
--------------	-----	---------------	---	-------------	---

Connector No.	E152
Connector Name	WIRE TO WIRE
Connector Color	WHITE



ABKIA3338GB

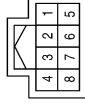
A
B
C
D
E
F
G
H
I
J
K
L
M
N
O
P

DLK

REMOTE KEYLESS ENTRY SYSTEM

< WIRING DIAGRAM >

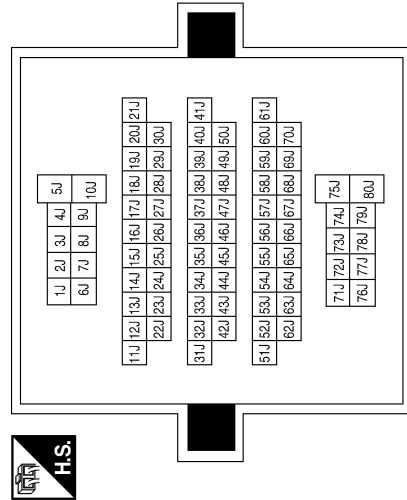
Connector No.	B107
Connector Name	WIRE TO WIRE
Connector Color	WHITE



Terminal No.	Color of Wire	Signal Name
7	B	-
8	LG	-

Terminal No.	Color of Wire	Signal Name
61J	GR	-

Connector No.	B69
Connector Name	WIRE TO WIRE
Connector Color	WHITE

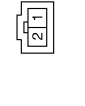


Connector No.	D212
Connector Name	REAR DOOR SWITCH LOWER LH
Connector Color	BLACK



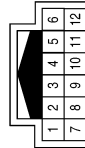
Terminal No.	Color of Wire	Signal Name
1	L	-
2	B	-

Connector No.	D211
Connector Name	REAR DOOR SWITCH UPPER LH
Connector Color	BLACK



Terminal No.	Color of Wire	Signal Name
1	LG	-
2	B	-

Connector No.	B162
Connector Name	WIRE TO WIRE
Connector Color	WHITE



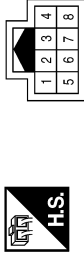
Terminal No.	Color of Wire	Signal Name
8	LG	-

ABKIA3339GB

REMOTE KEYLESS ENTRY SYSTEM

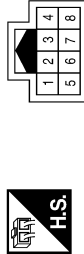
< WIRING DIAGRAM >

Connector No.	D302
Connector Name	WIRE TO WIRE
Connector Color	WHITE



Terminal No.	Color of Wire	Signal Name
7	B	-
8	LG	-

Connector No.	D216
Connector Name	WIRE TO WIRE
Connector Color	WHITE



Terminal No.	Color of Wire	Signal Name
7	B	-
8	LG	-

Connector No.	D213
Connector Name	FRONT DOOR SWITCH LH (KING CAB)
Connector Color	WHITE



Terminal No.	Color of Wire	Signal Name
2	LG	-
3	B	-

Connector No.	D314
Connector Name	FRONT DOOR SWITCH RH (KING CAB)
Connector Color	WHITE



Terminal No.	Color of Wire	Signal Name
2	LG	-
3	B	-

Connector No.	D313
Connector Name	REAR DOOR SWITCH LOWER RH
Connector Color	BLACK



Terminal No.	Color of Wire	Signal Name
1	L	-
2	B	-

Connector No.	D312
Connector Name	REAR DOOR SWITCH UPPER RH
Connector Color	BLACK



Terminal No.	Color of Wire	Signal Name
1	L	-
2	B	-

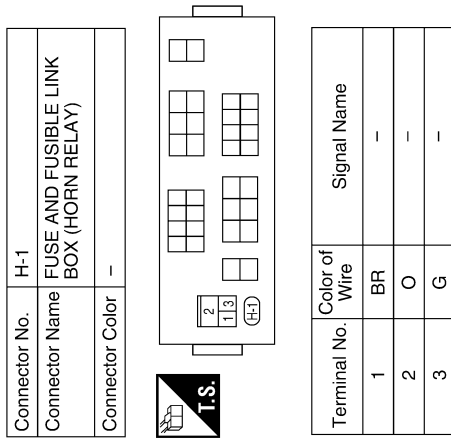
ABKIA3340GB

A B C D E F G H I J L M N O P

DLK

REMOTE KEYLESS ENTRY SYSTEM

< WIRING DIAGRAM >



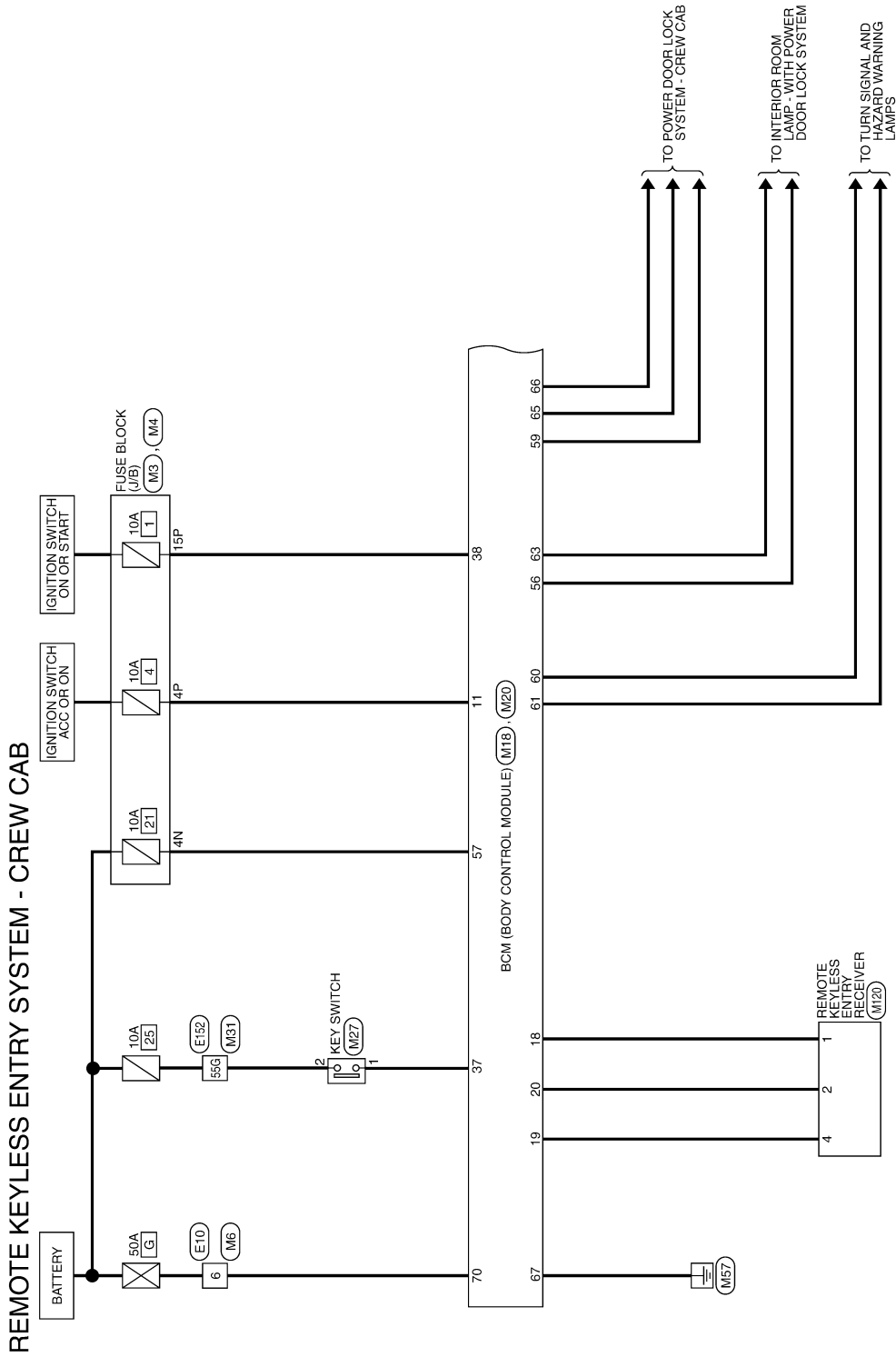
ABKIA3341GB

REMOTE KEYLESS ENTRY SYSTEM

< WIRING DIAGRAM >

Wiring Diagram - Crew Cab

INFOID:000000007327308



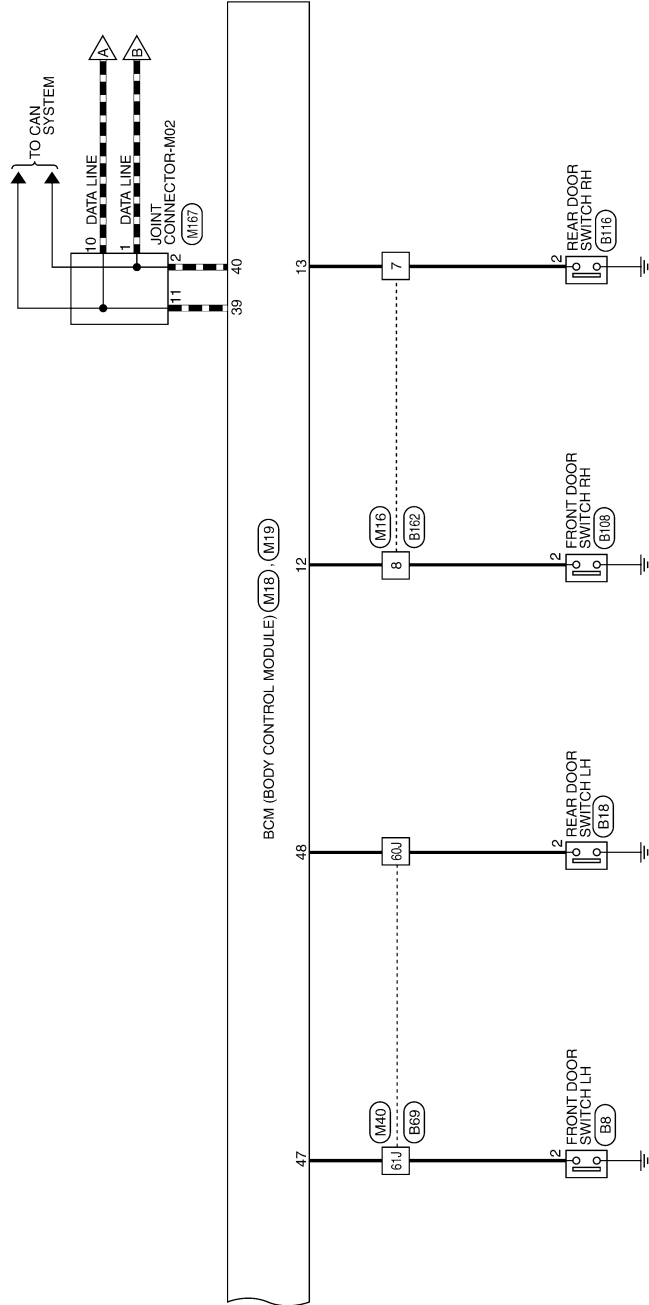
A
B
C
D
E
F
G
H
I
J
DLK
L
M
N
O
P

DLK

ABKWA1572GB

REMOTE KEYLESS ENTRY SYSTEM

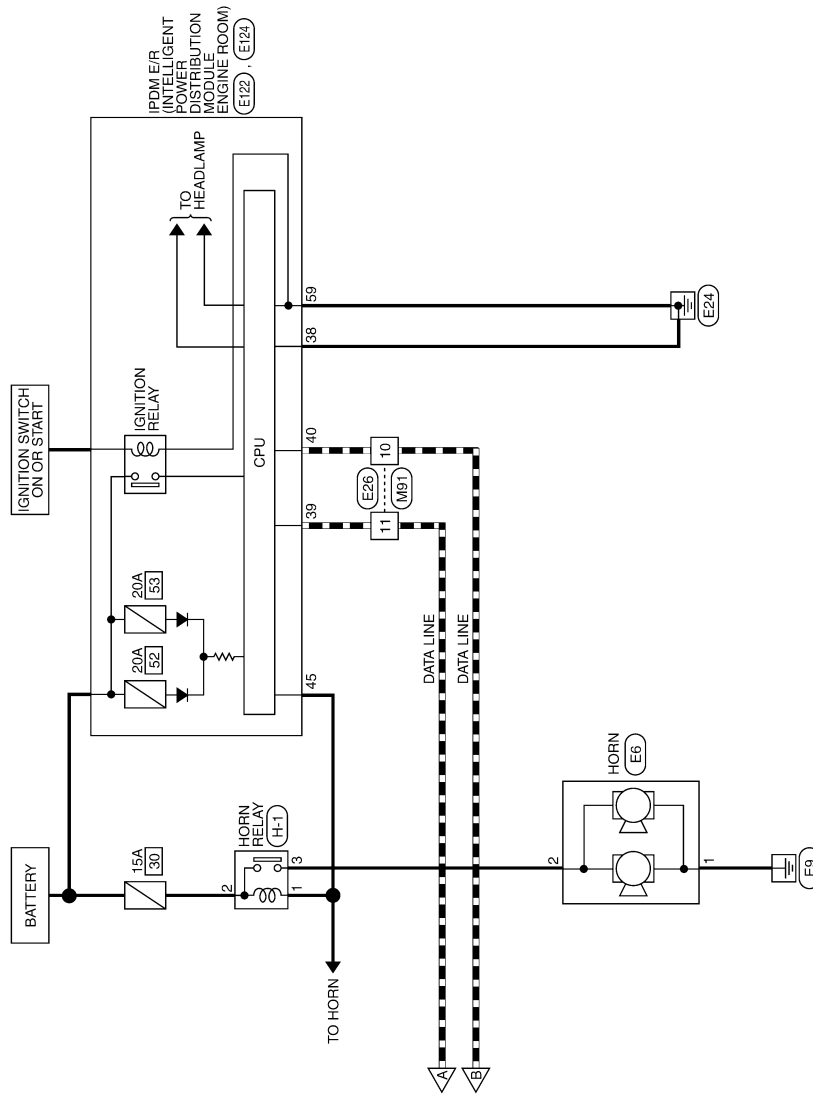
< WIRING DIAGRAM >



ABKWA1573GB

REMOTE KEYLESS ENTRY SYSTEM

< WIRING DIAGRAM >



A
B
C
D
E
F
G
H
I
J
K
L
M
N
O
P

DLK

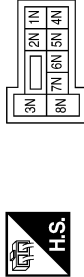
ABKWA0634GB

REMOTE KEYLESS ENTRY SYSTEM

< WIRING DIAGRAM >

REMOTE KEYLESS ENTRY SYSTEM CONNECTORS - CREW CAB

Connector No.	M3
Connector Name	FUSE BLOCK (J/B)
Connector Color	WHITE



Terminal No.	Color of Wire	Signal Name
4N	R/Y	-

Connector No.	M4
Connector Name	FUSE BLOCK (J/B)
Connector Color	WHITE



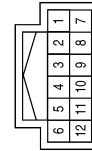
Terminal No.	Color of Wire	Signal Name
4P	G/B	-
15P	W/R	-

Connector No.	M6
Connector Name	WIRE TO WIRE
Connector Color	WHITE



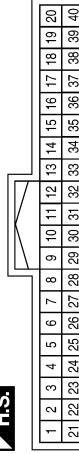
Terminal No.	Color of Wire	Signal Name
6	W	-

Connector No.	M16
Connector Name	WIRE TO WIRE
Connector Color	WHITE



Terminal No.	Color of Wire	Signal Name
7	L	-
8	LG	-

Connector No.	M18
Connector Name	BCM (BODY CONTROL MODULE)
Connector Color	WHITE



Terminal No.	Color of Wire	Signal Name
11	G/B	ACC SW
12	LG	DOOR SW (AS)
13	L	DOOR SW (RR)
18	BR	KEYLESS & AUTO LIGHT SENSOR GND
19	V	KEYLESS TUNER POWER SUPPLY OUTPUT
20	G	KEYLESS TUNER SIGNAL
37	B	KEY SW
38	W/R	IGN SW
39	L	CAN-H
40	P	CAN-L

REMOTE KEYLESS ENTRY SYSTEM

< WIRING DIAGRAM >

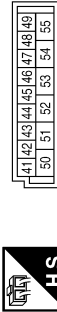
Terminal No.	Color of Wire	Signal Name
60	LG	FLASHER OUTPUT (LEFT)
61	G	FLASHER OUTPUT (RIGHT)
63	BR	ROOM LAMP OUTPUT
65	V	DOOR LOCK OUTPUT (ALL)
66	L	DOOR UNLOCK OUTPUT (OTHER)
67	B	GND (POWER)
70	W	BAT (F/L)

Connector No.	M20
Connector Name	BCM (BODY CONTROL MODULE)
Connector Color	BLACK



Terminal No.	Color of Wire	Signal Name
56	R/Y	BATTERY SAVER OUTPUT
57	R/Y	BAT (FUSE)
59	GR	DOOR UNLOCK OUTPUT (DR)

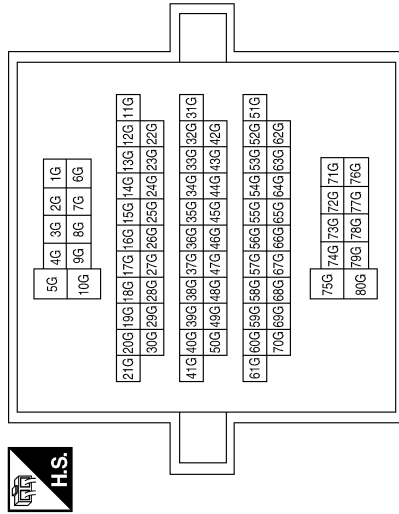
Connector No.	M19
Connector Name	BCM (BODY CONTROL MODULE)
Connector Color	WHITE



Terminal No.	Color of Wire	Signal Name
47	GR	DOOR SW (DR)
48	P	DOOR SW (RL)

Terminal No.	Color of Wire	Signal Name
55G	Y	-

Connector No.	M31
Connector Name	WIRE TO WIRE
Connector Color	WHITE



Connector No.	M27
Connector Name	KEY SWITCH
Connector Color	WHITE



Terminal No.	Color of Wire	Signal Name
1	B	-
2	Y	-

ABKIA1846GB

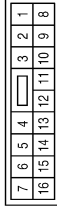
A B C D E F G H I J L M N O P

DLK

REMOTE KEYLESS ENTRY SYSTEM

< WIRING DIAGRAM >

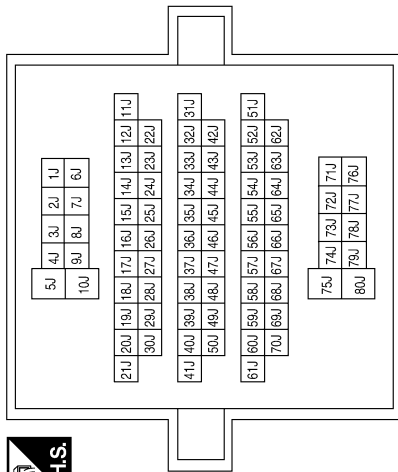
Connector No.	M91
Connector Name	WIRE TO WIRE
Connector Color	WHITE



Terminal No.	Color of Wire	Signal Name
10	P	-
11	L	-

Terminal No.	Color of Wire	Signal Name
60J	P	-
61J	GR	-

Connector No.	M40
Connector Name	WIRE TO WIRE
Connector Color	WHITE

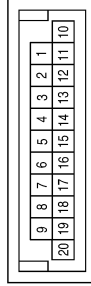


Connector No.	E6
Connector Name	HORN
Connector Color	BLACK



Terminal No.	Color of Wire	Signal Name
1	B	-
2	G	-

Connector No.	M167
Connector Name	JOINT CONNECTOR-M02
Connector Color	BLUE



Terminal No.	Color of Wire	Signal Name
1	P	-
2	P	-
10	L	-
11	L	-

Connector No.	M120
Connector Name	REMOTE KEYLESS ENTRY RECEIVER
Connector Color	WHITE



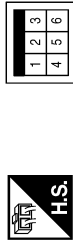
Terminal No.	Color of Wire	Signal Name
1	BR	GND
2	G	SIGNAL
4	V	POWER

ABKIA3342GB

REMOTE KEYLESS ENTRY SYSTEM

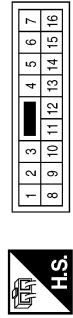
< WIRING DIAGRAM >

Connector No.	E10
Connector Name	WIRE TO WIRE
Connector Color	WHITE



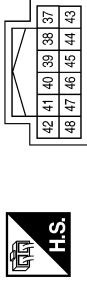
Terminal No.	Color of Wire	Signal Name
6	W	-

Connector No.	E26
Connector Name	WIRE TO WIRE
Connector Color	WHITE



Terminal No.	Color of Wire	Signal Name
10	P	-
11	L	-

Connector No.	E122
Connector Name	IPDM E/R (INTELLIGENT POWER DISTRIBUTION MODULE ENGINE ROOM)
Connector Color	WHITE



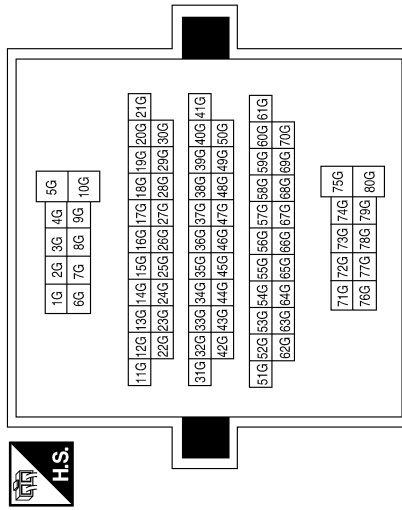
Terminal No.	Color of Wire	Signal Name
38	B	GND (SIGNAL)
39	L	CAN-H
40	P	CAN-L
45	LG	ANT THEFT HORN

Connector No.	E124
Connector Name	IPDM E/R (INTELLIGENT POWER DISTRIBUTION MODULE ENGINE ROOM)
Connector Color	BLACK



Terminal No.	Color of Wire	Signal Name
59	B	GND (POWER)

Connector No.	E152
Connector Name	WIRE TO WIRE
Connector Color	WHITE



Terminal No.	Color of Wire	Signal Name
55G	Y	-

Connector No.	B8
Connector Name	FRONT DOOR SWITCH LH (CREW CAB)
Connector Color	WHITE



Terminal No.	Color of Wire	Signal Name
2	GR	-

ABKIA3343GB

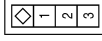
A B C D E F G H I J L M N O P

DLK

REMOTE KEYLESS ENTRY SYSTEM

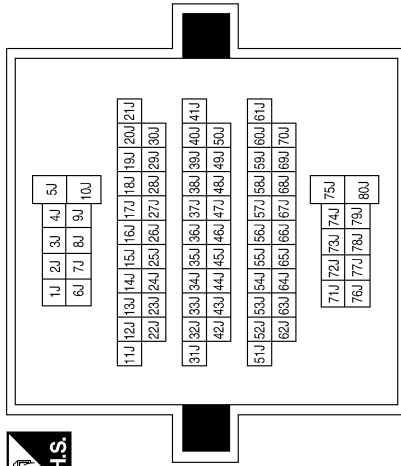
< WIRING DIAGRAM >

Connector No.	B108
Connector Name	FRONT DOOR SWITCH RH (CREW CAB)
Connector Color	WHITE



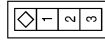
Terminal No.	2	Color of Wire	LG	Signal Name	-
--------------	---	---------------	----	-------------	---

Connector No.	B69
Connector Name	WIRE TO WIRE
Connector Color	WHITE



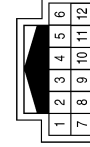
Terminal No.	Color of Wire	Signal Name
60J	P	-
61J	GR	-

Connector No.	B18
Connector Name	REAR DOOR SWITCH LH
Connector Color	WHITE



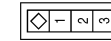
Terminal No.	2	Color of Wire	P	Signal Name	-
--------------	---	---------------	---	-------------	---

Connector No.	B162
Connector Name	WIRE TO WIRE
Connector Color	WHITE



Terminal No.	Color of Wire	Signal Name
7	L	-
8	LG	-

Connector No.	B116
Connector Name	REAR DOOR SWITCH RH
Connector Color	WHITE



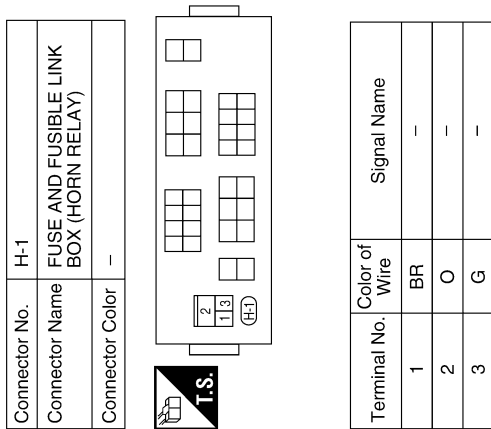
Terminal No.	2	Color of Wire	L	Signal Name	-
--------------	---	---------------	---	-------------	---

ABKIA3344GB

REMOTE KEYLESS ENTRY SYSTEM

< WIRING DIAGRAM >

A
B
C
D
E
F
G
H
I
J
DLK
L
M
N
O
P



ABKIA3345GB

DOOR LOCK

< SYMPTOM DIAGNOSIS >

SYMPTOM DIAGNOSIS

DOOR LOCK

Symptom Table

INFOID:000000007327309

DOOR LOCK SYSTEM

NOTE:

- Before performing the diagnosis in the following table, check “Work flow”. Refer to [DLK-4, "Work Flow"](#).
- If the following symptoms are detected, check systems shown in the “Diagnosis/service procedure” column in this order.

Symptom	Repair order	Refer to page
Key reminder door function does not operate properly.	1a. Door switch check (king cab)	DLK-27
	1b. Door switch check (crew cab)	DLK-29
	2. Key switch (Insert) check	DLK-42
	3. Replace BCM.	BCS-49
Power door lock does not operate with door lock and unlock switch on main power window and door lock/unlock switch or power window and door lock/unlock switch RH.	1a. Door lock/unlock switch check (driver side) (king cab)	DLK-32
	1b. Door lock/unlock switch check (driver side) (crew cab)	DLK-32
	2a. Door lock/unlock switch check (passenger side) (king cab)	DLK-32
	2b. Door lock/unlock switch check (passenger side) (crew cab)	DLK-35
Specific door lock actuator does not operate.	1. Door lock actuator check (driver side)	DLK-43
	2. Door lock actuator check (passenger side)	DLK-44
	3. Door lock actuator check (Rear LH) (crew cab)	DLK-45
	4. Door lock actuator check (Rear RH) (crew cab)	DLK-47
Power door lock does not operate with front door key cylinder LH.	1. Front door lock assembly LH (key cylinder switch) check	DLK-39
	2. Replace BCM.	BCS-49
Power door lock does not operate.	1. BCM power supply and ground circuit check	BCS-27
	2a. Door lock/unlock switch check (driver) (king cab)	DLK-32
	2b. Door lock/unlock switch check (driver) (crew cab)	DLK-35
	3a. Door lock/unlock switch check (passenger) (king cab)	DLK-32
	3b. Door lock/unlock switch check (passenger) (crew cab)	DLK-35
Vehicle speed sensing auto LOCK operation does not operate.	1. Ensure automatic door lock/unlock function (lock operation) is enabled.	DLK-21
	2. Check combination meter vehicle speed signal.	MWI-29
	3. Check intermittent incident.	GI-46
Ignition OFF interlock door UNLOCK function does not operate.	1. Ensure automatic door lock/unlock function (unlock operation) is enabled.	DLK-21
	2. Check BCM for DTCs.	DLK-72
	3. Check intermittent incident.	GI-46

REMOTE KEYLESS ENTRY SYSTEM

< SYMPTOM DIAGNOSIS >

REMOTE KEYLESS ENTRY SYSTEM

Symptom Table

INFOID:000000007327310

REMOTE KEYLESS ENTRY SYSTEM

Symptom	Diagnoses/service procedure	Reference page
All functions of remote keyless entry system do not operate.	1. Keyfob battery and function check (use Remote Keyless Entry Tester J-43241 or Signal Tech II Tool J-50190) NOTE: If the result of keyfob function check is OK, keyfob is not malfunctioning.	DLK-51
	2. Check BCM and remote keyless entry receiver.	DLK-49
The new ID of keyfob cannot be entered.	1. Keyfob battery and function check (use Remote Keyless Entry Tester J-43241 or Signal Tech II Tool J-50190) NOTE: If the result of keyfob function check is OK, keyfob is not malfunctioning.	DLK-51
	2. Key switch (insert) check	DLK-42
	3a. Door switch check (king cab)	DLK-27
	3b. Door switch check (crew cab)	DLK-29
	4. ACC power check	DLK-25
Door lock or unlock does not function. (If the power door lock system does not operate manually, check power door lock system)	1. Keyfob battery and function check (use Remote Keyless Entry Tester J-43241 or Signal Tech II Tool J-50190) NOTE: If the result of keyfob function check is OK, keyfob is not malfunctioning.	DLK-15
	2. Replace BCM.	BCS-49
Hazard and horn reminder does not activate properly when pressing lock or unlock button of keyfob.	1. Check hazard and horn reminder mode with CONSULT NOTE: Hazard and horn reminder mode can be changed. First check the hazard and horn reminder mode setting.	DLK-15
	2a. Door switch check (king cab)	DLK-27
	2b. Door switch check (crew cab)	DLK-29
	3. Replace BCM.	BCS-49
Hazard reminder does not activate properly when pressing lock or unlock button of keyfob. (Horn reminder OK)	1. Check hazard reminder mode with CONSULT NOTE: Hazard reminder mode can be changed. First check the hazard reminder mode setting.	DLK-15
	2. Check hazard function with hazard switch	—
	3. Replace BCM.	BCS-49
Horn reminder does not activate properly when pressing lock or unlock button of keyfob. (Hazard reminder OK)	1. Check horn reminder mode with CONSULT NOTE: Horn reminder mode can be changed. First check the horn reminder mode setting.	DLK-15
	2. Check horn function with horn switch	—
	3. IPDM E/R operation check	DLK-53
	4. Replace BCM.	BCS-49

A

B

C

D

E

F

G

H

I

J

K

L

M

N

O

P

DLK

REMOTE KEYLESS ENTRY SYSTEM

< SYMPTOM DIAGNOSIS >

Symptom	Diagnoses/service procedure	Reference page
Room lamp and ignition keyhole illumination do not operate properly.	1. Room lamp operation check	DLK-58
	2. Ignition keyhole illumination operation check	DLK-58
	3a. Door switch check (king cab)	DLK-27
	3b. Door switch check (crew cab)	DLK-29
	4. Replace BCM.	BCS-49
Panic alarm (horn and headlamp) does not activate when panic alarm button is continuously pressed.	1. Keyfob battery and function check (use Remote Keyless Entry Tester J-43241 or Signal Tech II Tool J-50190) NOTE: If the result of keyfob function check is OK, keyfob is not malfunctioning.	DLK-51
	2. Key switch (insert) check	DLK-42
	3. Replace BCM.	BCS-49
Automatic door lock operation does not activate properly. (All other remote keyless entry functions OK.)	1. Check automatic door lock operation mode with CONSULT NOTE: Automatic door lock operation mode can be changed. First check the automatic door lock operation mode setting.	DLK-12
	2. Replace BCM.	BCS-49

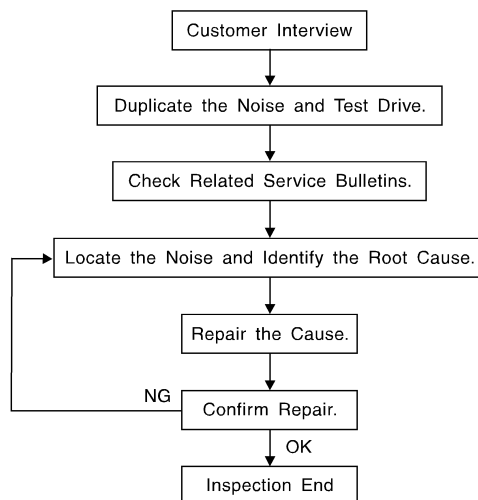
SQUEAK AND RATTLE TROUBLE DIAGNOSES

< SYMPTOM DIAGNOSIS >

SQUEAK AND RATTLE TROUBLE DIAGNOSES

Work Flow

INFOID:000000007818557



SBT842

CUSTOMER INTERVIEW

Interview the customer if possible, to determine the conditions that exist when the noise occurs. Use the Diagnostic Worksheet during the interview to document the facts and conditions when the noise occurs and any customer's comments; refer to [DLK-125, "Diagnostic Worksheet"](#). This information is necessary to duplicate the conditions that exist when the noise occurs.

- The customer may not be able to provide a detailed description or the location of the noise. Attempt to obtain all the facts and conditions that exist when the noise occurs (or does not occur).
- If there is more than one noise in the vehicle, be sure to diagnose and repair the noise that the customer is concerned about. This can be accomplished by test driving the vehicle with the customer.
- After identifying the type of noise, isolate the noise in terms of its characteristics. The noise characteristics are provided so the customer, service adviser and technician are all speaking the same language when defining the noise.
- Squeak —(Like tennis shoes on a clean floor)
Squeak characteristics include the light contact/fast movement/brought on by road conditions/hard surfaces = higher pitch noise/softer surfaces = lower pitch noises/edge to surface = chirping.
- Creak—(Like walking on an old wooden floor)
Creak characteristics include firm contact/slow movement/twisting with a rotational movement/pitch dependent on materials/often brought on by activity.
- Rattle—(Like shaking a baby rattle)
Rattle characteristics include the fast repeated contact/vibration or similar movement/loose parts/missing clip or fastener/incorrect clearance.
- Knock —(Like a knock on a door)
Knock characteristics include hollow sounding/sometimes repeating/often brought on by driver action.
- Tick—(Like a clock second hand)
Tick characteristics include gentle contacting of light materials/loose components/can be caused by driver action or road conditions.
- Thump—(Heavy, muffled knock noise)
Thump characteristics include softer knock/dead sound often brought on by activity.
- Buzz—(Like a bumble bee)
Buzz characteristics include high frequency rattle/firm contact.
- Often the degree of acceptable noise level will vary depending upon the person. A noise that you may judge as acceptable may be very irritating to the customer.
- Weather conditions, especially humidity and temperature, may have a great effect on noise level.

DUPLICATE THE NOISE AND TEST DRIVE

If possible, drive the vehicle with the customer until the noise is duplicated. Note any additional information on the Diagnostic Worksheet regarding the conditions or location of the noise. This information can be used to duplicate the same conditions when you confirm the repair.

SQUEAK AND RATTLE TROUBLE DIAGNOSES

< SYMPTOM DIAGNOSIS >

If the noise can be duplicated easily during the test drive, to help identify the source of the noise, try to duplicate the noise with the vehicle stopped by doing one or all of the following:

- 1) Close a door.
 - 2) Tap or push/pull around the area where the noise appears to be coming from.
 - 3) Rev the engine.
 - 4) Use a floor jack to recreate vehicle "twist".
 - 5) At idle, apply engine load (electrical load, half-clutch on M/T model, drive position on CVT and A/T models).
 - 6) Raise the vehicle on a hoist and hit a tire with a rubber hammer.
- Drive the vehicle and attempt to duplicate the conditions the customer states exist when the noise occurs.
 - If it is difficult to duplicate the noise, drive the vehicle slowly on an undulating or rough road to stress the vehicle body.

CHECK RELATED SERVICE BULLETINS

After verifying the customer concern or symptom, check ASIST for Technical Service Bulletins (TSBs) related to that concern or symptom.

If a TSB relates to the symptom, follow the procedure to repair the noise.

LOCATE THE NOISE AND IDENTIFY THE ROOT CAUSE

1. Narrow down the noise to a general area. To help pinpoint the source of the noise, use a listening tool (Chassis Ear: J-39570, Engine Ear: J-39565 and mechanic's stethoscope).
2. Narrow down the noise to a more specific area and identify the cause of the noise by:
 - removing the components in the area that you suspect the noise is coming from.
Do not use too much force when removing clips and fasteners, otherwise clips and fasteners can be broken or lost during the repair, resulting in the creation of new noise.
 - tapping or pushing/pulling the component that you suspect is causing the noise.
Do not tap or push/pull the component with excessive force, otherwise the noise will be eliminated only temporarily.
 - feeling for a vibration with your hand by touching the component(s) that you suspect is (are) causing the noise.
 - placing a piece of paper between components that you suspect are causing the noise.
 - looking for loose components and contact marks.Refer to [DLK-123. "Generic Squeak and Rattle Troubleshooting"](#).

REPAIR THE CAUSE

- If the cause is a loose component, tighten the component securely.
- If the cause is insufficient clearance between components:
 - separate components by repositioning or loosening and retightening the component, if possible.
 - insulate components with a suitable insulator such as urethane pads, foam blocks, felt cloth tape or urethane tape. A NISSAN Squeak and Rattle Kit (J-43980) is available through your authorized NISSAN Parts Department.

CAUTION:

Do not use excessive force as many components are constructed of plastic and may be damaged.

Always check with the Parts Department for the latest parts information.

The following materials are contained in the NISSAN Squeak and Rattle Kit (J-43980). Each item can be ordered separately as needed.

URETHANE PADS [1.5 mm (0.059 in) thick]

Insulates connectors, harness, etc.

76268-9E005: 100×135 mm (3.94×5.31 in)/76884-71L01: 60×85 mm (2.36×3.35 in)/76884-71L02: 15×25 mm (0.59×0.98 in)

INSULATOR (Foam blocks)

Insulates components from contact. Can be used to fill space behind a panel.

73982-9E000: 45 mm (1.77 in) thick, 50×50 mm (1.97×1.97 in)/73982-50Y00: 10 mm (0.39 in) thick, 50×50 mm (1.97×1.97 in)

INSULATOR (Light foam block)

80845-71L00: 30 mm (1.18 in) thick, 30×50 mm (1.18×1.97 in)

FELT CLOTH TAPE

Used to insulate where movement does not occur. Ideal for instrument panel applications.

68370-4B000: 15×25 mm (0.59×0.98 in) pad/68239-13E00: 5 mm (0.20 in) wide tape roll. The following materials not found in the kit can also be used to repair squeaks and rattles.

UHMW (TEFLON) TAPE

Insulates where slight movement is present. Ideal for instrument panel applications.

SILICONE GREASE

SQUEAK AND RATTLE TROUBLE DIAGNOSES

< SYMPTOM DIAGNOSIS >

Used instead of UHMW tape that will be visible or not fit.

Note: Will only last a few months.

SILICONE SPRAY

Use when grease cannot be applied.

DUCT TAPE

Use to eliminate movement.

CONFIRM THE REPAIR

Confirm that the cause of a noise is repaired by test driving the vehicle. Operate the vehicle under the same conditions as when the noise originally occurred. Refer to the notes on the Diagnostic Worksheet.

Generic Squeak and Rattle Troubleshooting

INFOID:000000007818556

Refer to Table of Contents for specific component removal and installation information.

INSTRUMENT PANEL

Most incidents are caused by contact and movement between:

1. The cluster lid A and instrument panel
2. Acrylic lens and combination meter housing
3. Instrument panel to front pillar garnish
4. Instrument panel to windshield
5. Instrument panel pins
6. Wiring harnesses behind the combination meter
7. A/C defroster duct and duct joint

These incidents can usually be located by tapping or moving the components to duplicate the noise or by pressing on the components while driving to stop the noise. Most of these incidents can be repaired by applying felt cloth tape or silicone spray (in hard to reach areas). Urethane pads can be used to insulate wiring harness.

CAUTION:

Do not use silicone spray to isolate a squeak or rattle. If you saturate the area with silicone, you will not be able to recheck the repair.

CENTER CONSOLE

Components to pay attention to include:

1. Shift selector assembly cover to finisher
2. A/C control unit and cluster lid C
3. Wiring harnesses behind audio and A/C control unit

The instrument panel repair and isolation procedures also apply to the center console.

DOORS

Pay attention to the:

1. Finisher and inner panel making a slapping noise
2. Inside handle escutcheon to door finisher
3. Wiring harnesses tapping
4. Door striker out of alignment causing a popping noise on starts and stops

Tapping or moving the components or pressing on them while driving to duplicate the conditions can isolate many of these incidents. You can usually insulate the areas with felt cloth tape or insulator foam blocks from the NISSAN Squeak and Rattle Kit (J-43980) to repair the noise.

TRUNK

Trunk noises are often caused by a loose jack or loose items put into the trunk by the owner.

In addition look for:

1. Trunk lid bumpers out of adjustment
2. Trunk lid striker out of adjustment
3. The trunk lid torsion bars knocking together
4. A loose license plate or bracket

A
B
C
D
E
F
G
H
I
J
L
M
N
O
P

DLK

SQUEAK AND RATTLE TROUBLE DIAGNOSES

< SYMPTOM DIAGNOSIS >

Most of these incidents can be repaired by adjusting, securing or insulating the item(s) or component(s) causing the noise.

SUNROOF/HEADLINING

Noises in the sunroof/headlining area can often be traced to one of the following:

1. Sunroof lid, rail, linkage or seals making a rattle or light knocking noise
2. Sun visor shaft shaking in the holder
3. Front or rear windshield touching headliner and squeaking

Again, pressing on the components to stop the noise while duplicating the conditions can isolate most of these incidents. Repairs usually consist of insulating with felt cloth tape.

OVERHEAD CONSOLE (FRONT AND REAR)

Overhead console noises are often caused by the console panel clips not being engaged correctly. Most of these incidents are repaired by pushing up on the console at the clip locations until the clips engage.

In addition look for:

1. Loose harness or harness connectors.
2. Front console map/reading lamp lens loose.
3. Loose screws at console attachment points.

SEATS

When isolating seat noise it's important to note the position the seat is in and the load placed on the seat when the noise is present. These conditions should be duplicated when verifying and isolating the cause of the noise.

Cause of seat noise include:

1. Headrest rods and holder
2. A squeak between the seat pad cushion and frame
3. The rear seatback lock and bracket

These noises can be isolated by moving or pressing on the suspected components while duplicating the conditions under which the noise occurs. Most of these incidents can be repaired by repositioning the component or applying urethane tape to the contact area.

UNDERHOOD

Some interior noise may be caused by components under the hood or on the engine wall. The noise is then transmitted into the passenger compartment.

Causes of transmitted underhood noise include:

1. Any component installed to the engine wall
2. Components that pass through the engine wall
3. Engine wall mounts and connectors
4. Loose radiator installation pins
5. Hood bumpers out of adjustment
6. Hood striker out of adjustment

These noises can be difficult to isolate since they cannot be reached from the interior of the vehicle. The best method is to secure, move or insulate one component at a time and test drive the vehicle. Also, engine rpm or load can be changed to isolate the noise. Repairs can usually be made by moving, adjusting, securing, or insulating the component causing the noise.

SQUEAK AND RATTLE TROUBLE DIAGNOSES

< SYMPTOM DIAGNOSIS >

Diagnostic Worksheet

INFOID:000000007818558

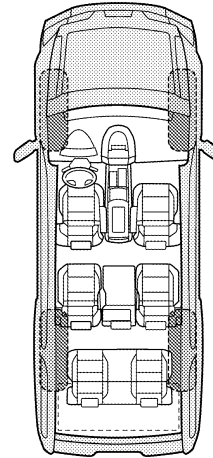
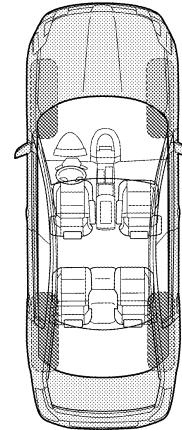
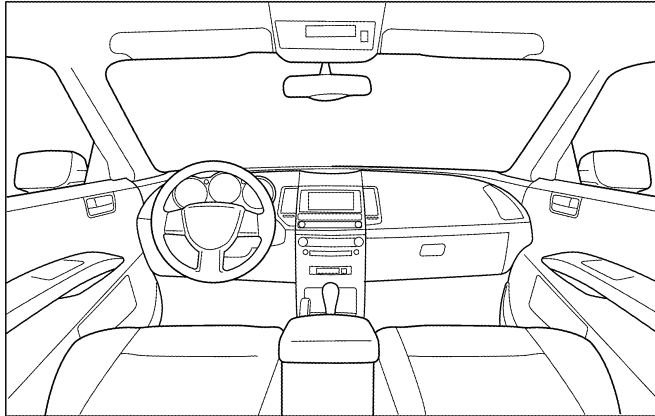
Dear Customer:

We are concerned about your satisfaction with your vehicle. Repairing a squeak or rattle sometimes can be very difficult. To help us fix your vehicle right the first time, please take a moment to note the area of the vehicle where the squeak or rattle occurs and under what conditions. You may be asked to take a test drive with a service advisor or technician to ensure we confirm the noise you are hearing.

SQUEAK & RATTLE DIAGNOSTIC WORKSHEET

I. WHERE DOES THE NOISE COME FROM? (circle the area of the vehicle)

The illustrations are for reference only, and may not reflect the actual configuration of your vehicle.



Continue to page 2 of the worksheet and briefly describe the location of the noise or rattle. In addition, please indicate the conditions which are present when the noise occurs.

A
B
C
D
E
F
G
H
I
J
DLK
L
M
N
O
P

SQUEAK AND RATTLE TROUBLE DIAGNOSES

< SYMPTOM DIAGNOSIS >

SQUEAK & RATTLE DIAGNOSTIC WORKSHEET - page 2

Briefly describe the location where the noise occurs:

II. WHEN DOES IT OCCUR? (please check the boxes that apply)

- | | |
|---|--|
| <input type="checkbox"/> Anytime | <input type="checkbox"/> After sitting out in the rain |
| <input type="checkbox"/> 1st time in the morning | <input type="checkbox"/> When it is raining or wet |
| <input type="checkbox"/> Only when it is cold outside | <input type="checkbox"/> Dry or dusty conditions |
| <input type="checkbox"/> Only when it is hot outside | <input type="checkbox"/> Other: |

III. WHEN DRIVING:

- Through driveways
- Over rough roads
- Over speed bumps
- Only about ____ mph
- On acceleration
- Coming to a stop
- On turns: left, right or either (circle)
- With passengers or cargo
- Other: _____
- After driving ____ miles or ____ minutes

IV. WHAT TYPE OF NOISE

- Squeak (like tennis shoes on a clean floor)
- Creak (like walking on an old wooden floor)
- Rattle (like shaking a baby rattle)
- Knock (like a knock at the door)
- Tick (like a clock second hand)
- Thump (heavy muffled knock noise)
- Buzz (like a bumble bee)

TO BE COMPLETED BY DEALERSHIP PERSONNEL

Test Drive Notes:

	YES	NO	Initials of person performing
Vehicle test driven with customer	<input type="checkbox"/>	<input type="checkbox"/>	_____
- Noise verified on test drive	<input type="checkbox"/>	<input type="checkbox"/>	_____
- Noise source located and repaired	<input type="checkbox"/>	<input type="checkbox"/>	_____
- Follow up test drive performed to confirm repair	<input type="checkbox"/>	<input type="checkbox"/>	_____

VIN: _____ Customer Name _____
W.O.# _____ Date: _____

This form must be attached to Work Order

LAI0071E

PRECAUTIONS

< PRECAUTION >

PRECAUTION

PRECAUTIONS

Precaution for Supplemental Restraint System (SRS) "AIR BAG" and "SEAT BELT PRE-TENSIONER"

INFOID:000000007327314

The Supplemental Restraint System such as "AIR BAG" and "SEAT BELT PRE-TENSIONER", used along with a front seat belt, helps to reduce the risk or severity of injury to the driver and front passenger for certain types of collision. This system includes seat belt switch inputs and dual stage front air bag modules. The SRS system uses the seat belt switches to determine the front air bag deployment, and may only deploy one front air bag, depending on the severity of a collision and whether the front occupants are belted or unbelted. Information necessary to service the system safely is included in the SR and SB section of this Service Manual.

WARNING:

- To avoid rendering the SRS inoperative, which could increase the risk of personal injury or death in the event of a collision which would result in air bag inflation, all maintenance must be performed by an authorized NISSAN/INFINITI dealer.
- Improper maintenance, including incorrect removal and installation of the SRS, can lead to personal injury caused by unintentional activation of the system. For removal of Spiral Cable and Air Bag Module, see the SR section.
- Do not use electrical test equipment on any circuit related to the SRS unless instructed to in this Service Manual. SRS wiring harnesses can be identified by yellow and/or orange harnesses or harness connectors.

PRECAUTIONS WHEN USING POWER TOOLS (AIR OR ELECTRIC) AND HAMMERS

WARNING:

- When working near the Airbag Diagnosis Sensor Unit or other Airbag System sensors with the Ignition ON or engine running, DO NOT use air or electric power tools or strike near the sensor(s) with a hammer. Heavy vibration could activate the sensor(s) and deploy the air bag(s), possibly causing serious injury.
- When using air or electric power tools or hammers, always switch the Ignition OFF, disconnect the battery, and wait at least 3 minutes before performing any service.

Precaution for Servicing Doors and Locks

INFOID:000000009000867

- After removing and installing the opening/closing parts, be sure to carry out fitting adjustments to check their operation.
- Check the lubrication level, damage, and wear of each part. If necessary, grease or replace it.
- When removing or disassembling each component, be careful not to damage or deform it. If a component may be subject to interference, be sure to protect it with a shop cloth.
- When removing (disengaging) components with a screwdriver or similar tool, be sure to wrap the component with a shop cloth or vinyl tape to protect it.
- Protect the removed parts with a shop cloth and prevent them from being dropped.
- Replace a deformed or damaged clip.
- If a part is specified as a non-reusable part, always replace it with a new one.
- Be sure to tighten bolts and nuts securely to the specified torque.
- After installation is complete, be sure to check that each part works properly.
- Follow the steps below to clean components:
 - Water soluble dirt:
 - Dip a soft cloth into lukewarm water, wring the water out of the cloth and wipe the dirty area.
 - Then rub with a soft, dry cloth.
 - Oily dirt:
 - Dip a soft cloth into lukewarm water with mild detergent (concentration: within 2 to 3%) and wipe the dirty area.
 - Then dip a cloth into fresh water, wring the water out of the cloth and wipe the detergent off.
 - Then rub with a soft, dry cloth.
 - Do not use organic solvent such as thinner, benzene, alcohol or gasoline.
 - For genuine leather seats, use a genuine leather seat cleaner.

PREPARATION

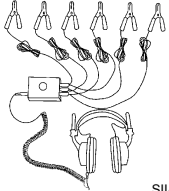
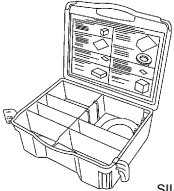
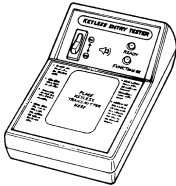

< PREPARATION >

PREPARATION

PREPARATION

Special Service Tool

INFOID:000000007818560

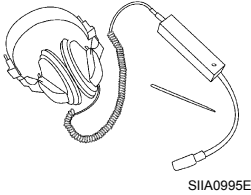
Tool number (Kent-Moore No.) Tool name	Description
<p>— (J-39570) Chassis ear</p>  <p>SIIA0993E</p>	<p>Locating the noise</p>
<p>— (J-43980) NISSAN Squeak and Rattle Kit</p>  <p>SIIA0994E</p>	<p>Repairing the cause of noise</p>
<p>— (J-43241) Remote Keyless Entry Tester</p>  <p>LEL946A</p>	<p>Used to test key fobs</p>
<p>— (J-50190) Signal Tech II</p>  <p>ALEIA0131ZZ</p>	<ul style="list-style-type: none"> • Activate and display TPMS transmitter IDs • Display tire pressure reported by the TPMS transmitter • Read TPMS DTCs • Register TPMS transmitter IDs • Test remote keyless entry keyfob relative signal strength

PREPARATION

< PREPARATION >

Commercial Service Tool

INFOID:000000007327317

(Kent-Moore No.) Tool name	Description
<p data-bbox="191 317 293 373">(J-39565) Engine ear</p>  <p data-bbox="781 533 846 552">SIIA0995E</p>	Locating the noise

A
B
C
D
E
F
G
H
I
J
L
M
N
O
P

DLK

HOOD

< REMOVAL AND INSTALLATION >

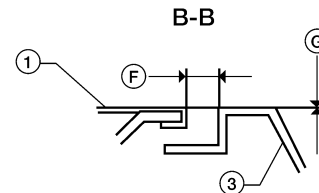
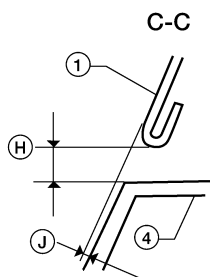
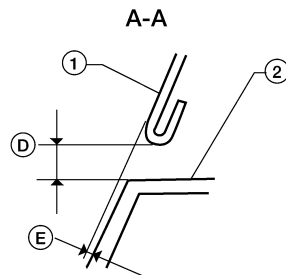
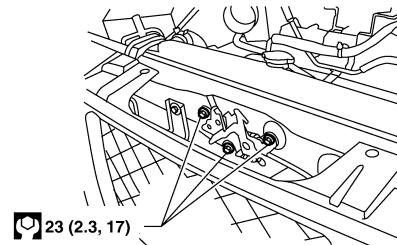
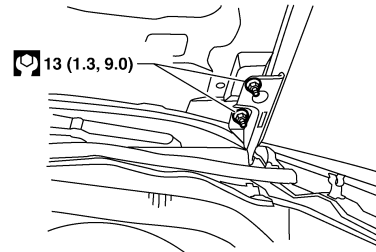
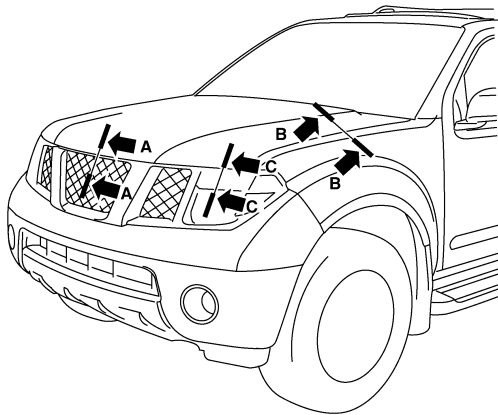
REMOVAL AND INSTALLATION

HOOD

Fitting Adjustment

INFOID:000000007327318

SEC.650



AWKIA0543ZZ

- | | | |
|----------------------|---------------------|---------------------|
| 1. Hood | 2. Front grille | 3. Front fender |
| 4. Headlamp assembly | D. 6.0 mm (0.24 in) | E. 0.7 mm (0.03 in) |
| F. 4.6 mm (0.18 in) | G. 0.0 mm (0.0 in) | H. 6.0 mm (0.24 in) |
| J. 0.7 mm (0.03 in) | | |

CLEARANCE AND SURFACE HEIGHT ADJUSTMENT

1. Remove the front grille. Refer to [EXT-23. "Removal and Installation"](#).
2. Loosen the hood lock assembly and adjust the rubber bumpers until the surface height of the hood becomes 1 mm (0.04 in) lower than the fender.
3. Engage the hood striker and temporarily tighten.
4. Check the lock and striker for looseness.

HOOD

< REMOVAL AND INSTALLATION >

5. Tighten the bolts to specification.
6. Adjust the surface height of the hood according to the fitting standard dimension by rotating right and left rubber bumpers.
7. Install the front grille. Refer to [EXT-23, "Removal and Installation"](#).

HOOD LOCK ADJUSTMENT

1. Remove the front grille. Refer to [EXT-23, "Removal and Installation"](#).
2. Move the hood lock to the left or right so that striker (1) center is vertically aligned with primary latch (4) center (when viewed from vehicle front).

A : More than 5.0 mm (0.197 in)

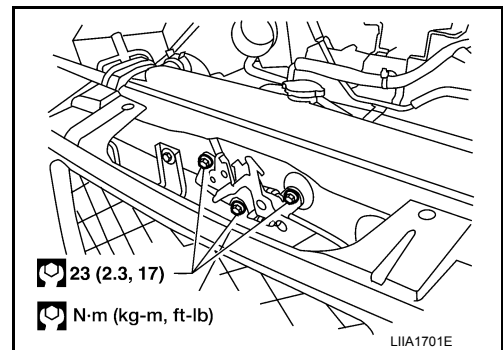
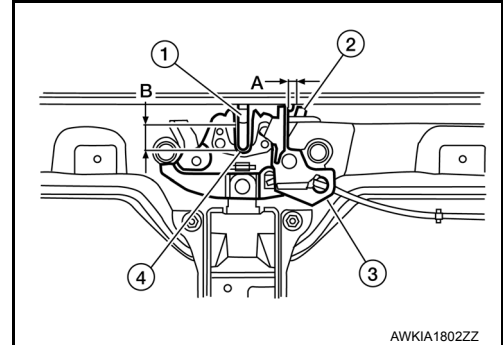
B : 20 mm (0.79 in)

3. Make sure the secondary latch (3) is properly engaged with the secondary striker (2) with hood's own weight by dropping it from approximately 200 mm (7.87 in) height or by pressing it lightly approximately 3 kg (29 N, 7lb).

CAUTION:

Do not drop the hood from 300 mm (11.81 in) height or higher.

4. After adjusting hood lock, tighten the lock bolts to the specified torque.



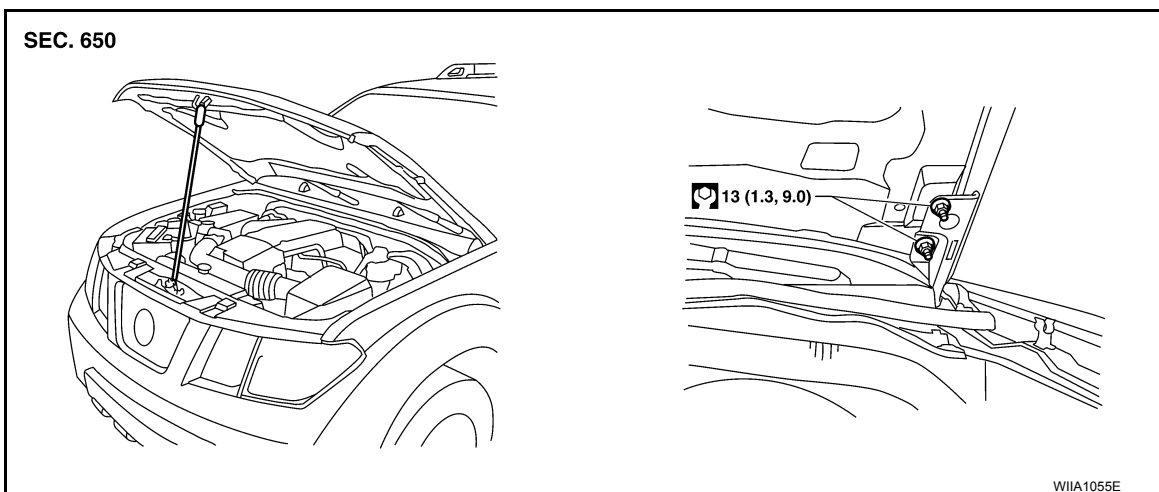
5. Install the front grille. Refer to [EXT-23, "Removal and Installation"](#).

Removal and Installation of Hood Assembly

INFOID:000000007327319

DLK

REMOVAL



1. Support the hood striker with suitable tool to prevent it from falling.
2. Remove the hinge nuts from the hood to remove the hood assembly.

CAUTION:

Operate with two workers, because of its heavy weight.

INSTALLATION

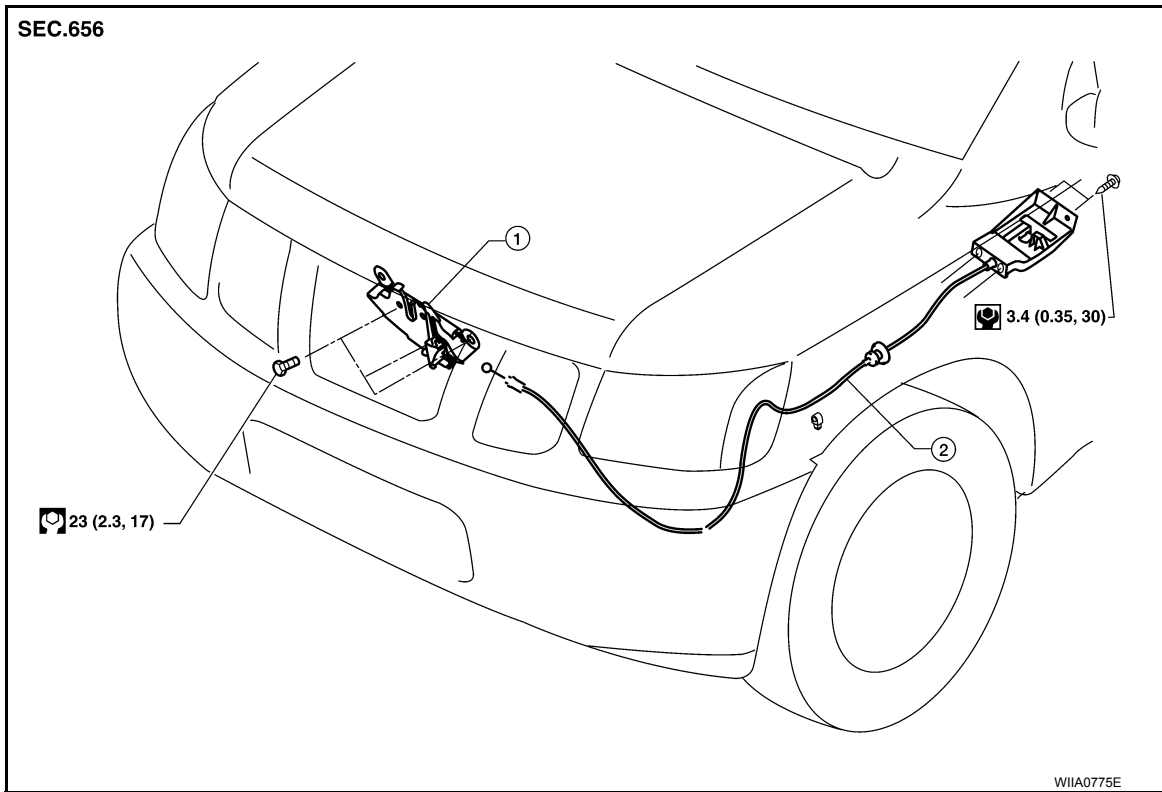
HOOD

< REMOVAL AND INSTALLATION >

Installation is in the reverse order of removal.

Removal and Installation of Hood Lock Control

INFOID:000000007327320



- 1. Hood lock assembly
- 2. Hood lock cable

REMOVAL

1. Disconnect the hood lock cable from the hood lock, and unclip it from the radiator core support upper and hoodledge.
2. Remove the bolts, and the hood release handle.
3. Separate the grommet from the lower dash panel. Pull the hood lock cable out through the passenger compartment.

CAUTION:

While pulling, be careful not to damage the outside of the hood lock cable.

INSTALLATION

1. Pull the hood lock cable through the lower dash panel hole into the engine room.

CAUTION:

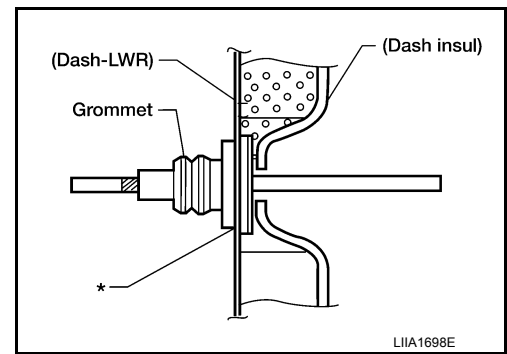
While pulling, be careful not to damage the outside of the hood lock cable.

HOOD

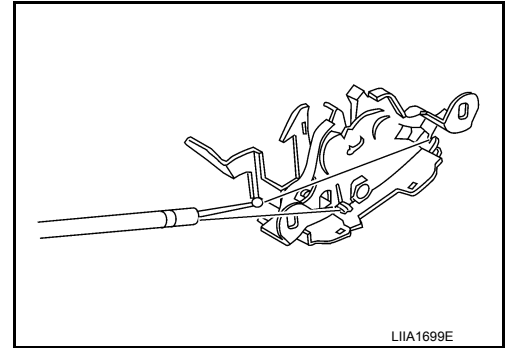
< REMOVAL AND INSTALLATION >

Be careful not to bend the cable too much, keep the radius 100mm (3.94 in) or more.

2. Make sure the cable is not offset from the grommet, and push the grommet into the lower dash panel hole securely.
3. Apply sealant around the grommet at * mark.



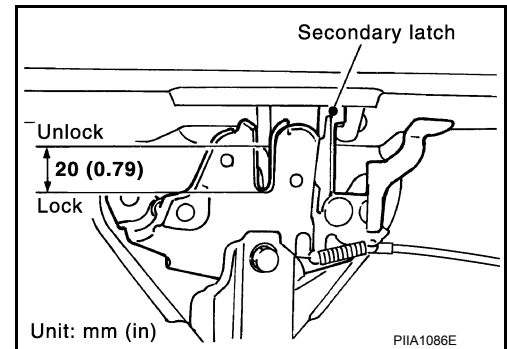
4. Install the cable securely to the lock.
5. Adjust the hood lock. Refer to [DLK-130, "Fitting Adjustment"](#).



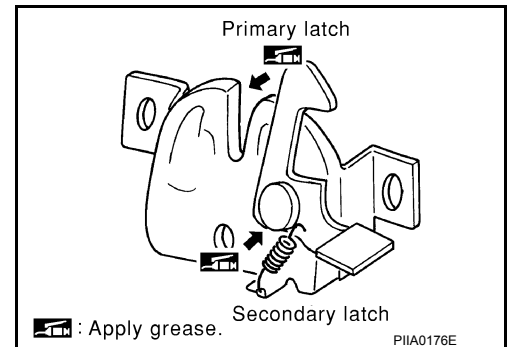
Hood Lock Control Inspection

INFOID:000000007327321

1. Make sure the hood lock cable is not bent or deformed. If the cable is damaged, replace it.
2. Remove the front grille. Refer to [EXT-23](#).
3. Make sure the secondary latch is properly engaged with the secondary striker with hood's own weight by dropping it from approx. 200 mm (7.87 in) height.
4. While operating the hood opener, carefully make sure the front end of the hood is raised by approx. 20 mm (0.79 in). Also make sure the hood opener returns to the original position.



5. Check the hood lock lubrication condition. If necessary, apply "body grease" to the points shown.



6. Install the front grille. Refer to [EXT-23](#).

DOOR

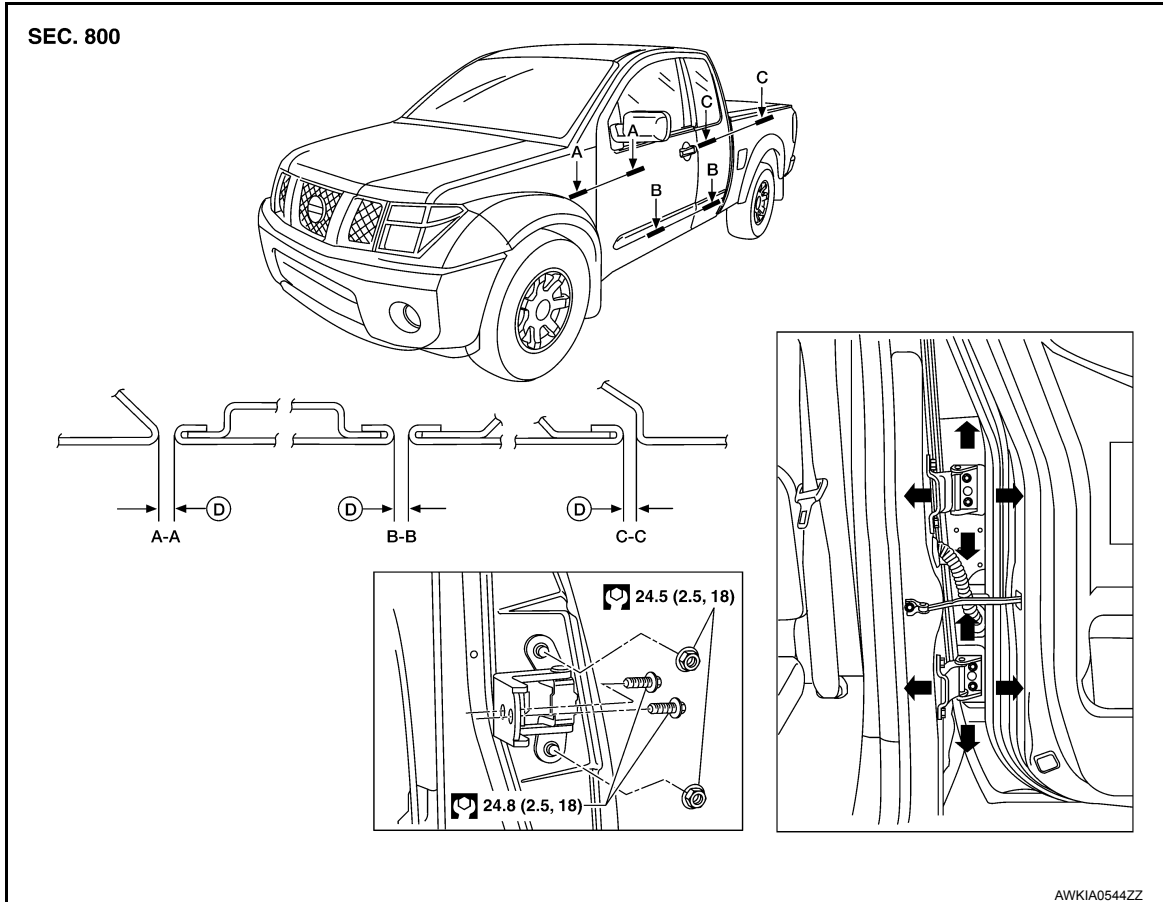
< REMOVAL AND INSTALLATION >

DOOR

Fitting Adjustment

INFOID:000000007327322

KING CAB

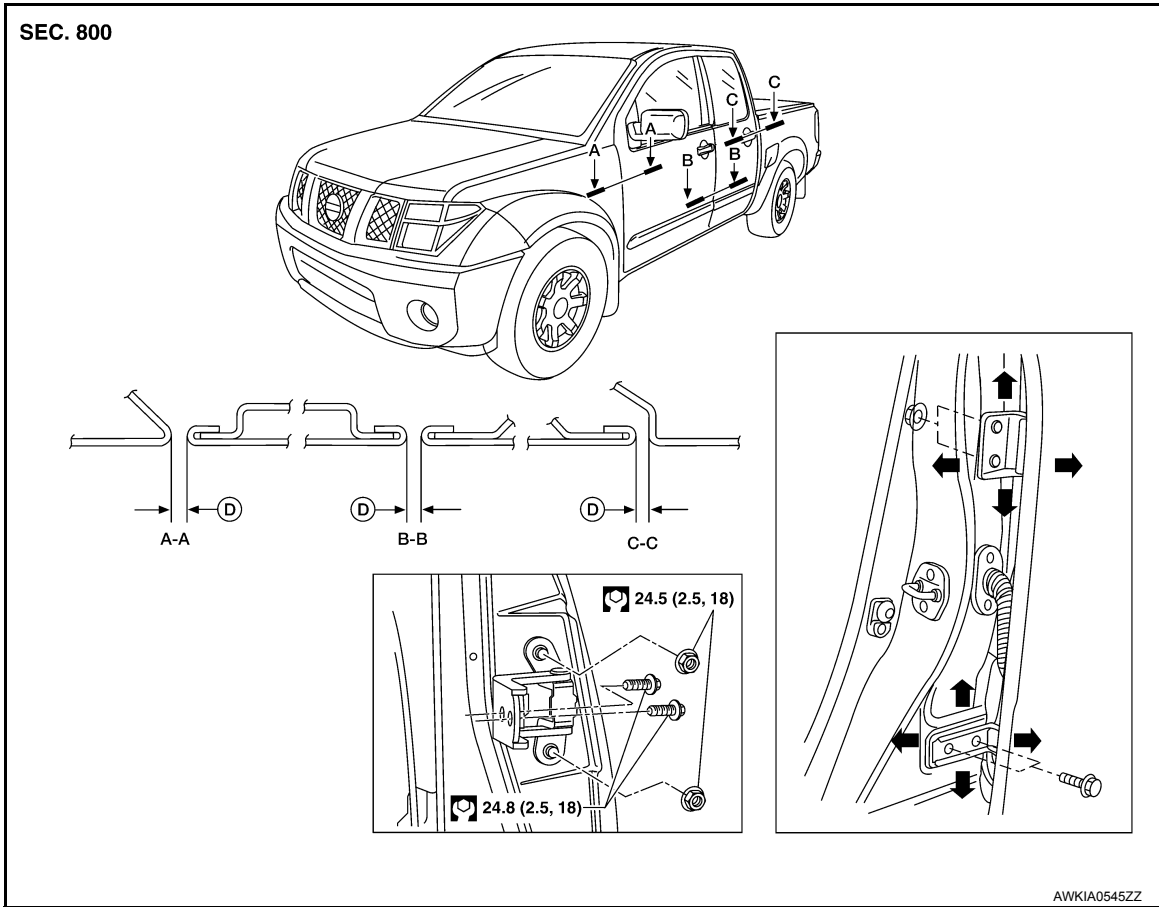


D. 4.5 mm ± 1.0 mm (0.177 in ± 0.039 in)

DOOR

< REMOVAL AND INSTALLATION >

CREW CAB



D. 4.5 mm ± 1.0 mm (0.177 in ± 0.039 in)

FRONT DOOR

Longitudinal clearance and surface height adjustment at front end

1. Remove the front fender. Refer to [EXT-25. "Removal and Installation"](#).
2. Loosen the hinge bolts. Raise the front door at rear end to adjust.
3. Install the front fender. Refer to [EXT-25. "Removal and Installation"](#).

REAR DOOR

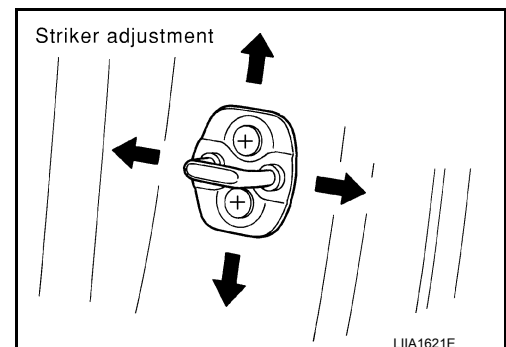
Longitudinal clearance and surface height adjustment at front end

1. Remove the center pillar upper finisher. Refer to [INT-18. "Component"](#).
2. Accessing from inside the vehicle, loosen the nuts. Open the rear door, and raise the rear door at rear end to adjust.
3. Install the center pillar lower finisher. Refer to [INT-18. "Component"](#).

STRIKER ADJUSTMENT

1. Adjust the striker so that it becomes parallel with the lock insertion direction.

Striker bolts : 16.7 N·m (1.7 kg-m, 12 ft-lb)



A
B
C
D
E
F
G
H
I
J
L
M
N
O
P

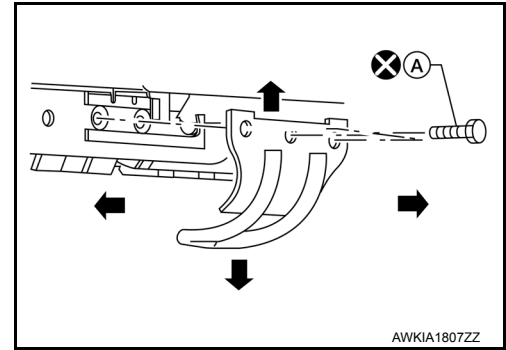
DLK

DOOR

< REMOVAL AND INSTALLATION >

2. Remove the upper striker covers and adjust the striker so that it becomes parallel with the lock insertion direction.

Striker bolts : 16.7 N·m (1.7 kg-m, 12 ft-lb)



Removal and Installation

INFOID:000000007327323

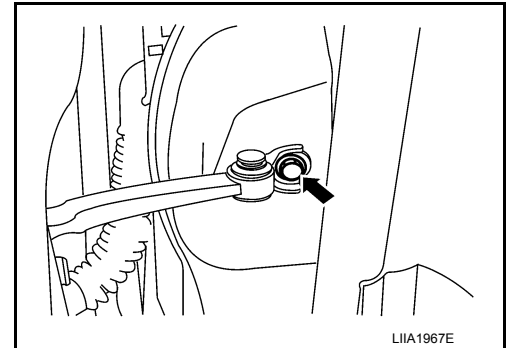
KING CAB

Front Door

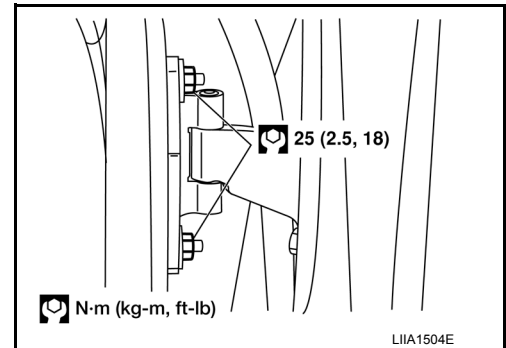
CAUTION:

- When removing and installing the door assembly, support the door with a jack and shop cloth to protect the door and body.
 - When removing and installing door assembly, be sure to carry out the fitting adjustment.
 - Check the hinge rotating part for poor lubrication. If necessary, apply body grease.
1. Remove the front door glass and regulator assembly. Refer to [GW-16, "Front Door Glass Regulator"](#).
 2. Remove the door harness.
 3. Remove the check link cover.
 4. Remove the check link bolt from the hinge pillar.

Check link bolt to hinge pillar : 14.7 N·m (1.5 kg-m, 11 ft-lb)



5. Remove the door-side hinge nuts and bolts, and remove the door assembly.



Installation is in the reverse order of removal.

Rear Door

CAUTION:

- When removing and installing the door assembly, support the door with a jack and shop cloth to protect the door and body.
 - When removing and installing door assembly, be sure to carry out the fitting adjustment.
 - Check the hinge rotating part for poor lubrication. If necessary, apply body grease.
1. Remove the door glass. Refer to [GW-20, "Rear Door Glass"](#).

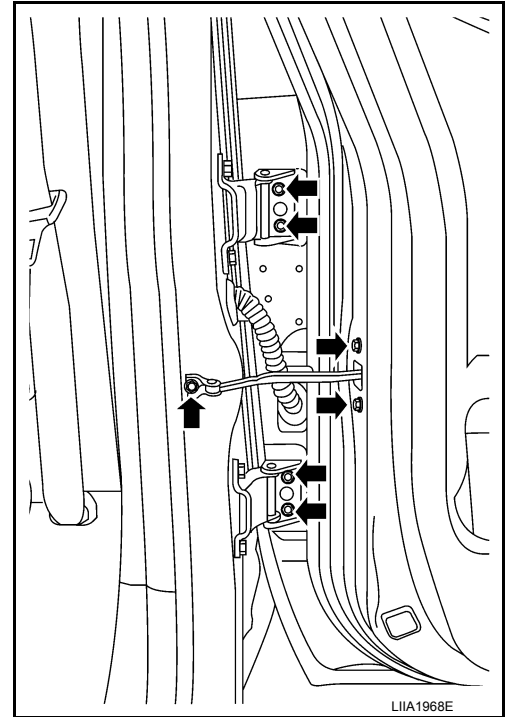
DOOR

< REMOVAL AND INSTALLATION >

2. Remove the speaker.
3. Remove the door handles and latch assembly. Refer to [DLK-142, "Component Structure"](#).
4. Remove the check link.
5. Remove the wire harness.
6. Remove the door assembly.
Installation is in the reverse order of removal.

Door hinge nuts : 24.5 N·m (2.5 kg-m, 18 ft-lb)

Check link bolt to door : 5.1 N·m (0.52 kg-m, 45 in-lb)



CREW CAB

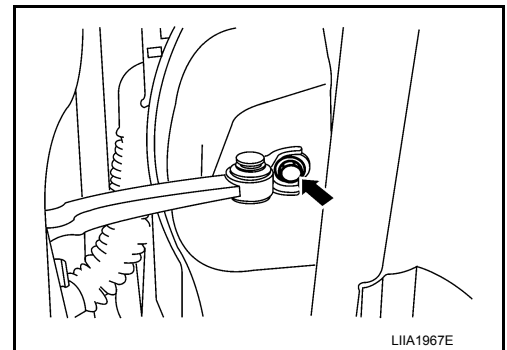
CAUTION:

- When removing and installing the door assembly, support the door with a jack and shop cloth to protect the door and body.
- When removing and installing door assembly, be sure to carry out the fitting adjustment.
- Check the hinge rotating part for poor lubrication. If necessary, apply body grease.

1. Remove the door finisher. Refer to [INT-15, "Removal and Installation"](#).
2. Remove the inner seal.
3. Remove the door glass and regulator assembly. Refer to [GW-16, "Front Door Glass"](#).
4. Remove the door harness.
5. Remove the check link cover.
6. Remove the check link bolt from the hinge pillar.

Front door check link bolt to hinge pillar : 14.7 N·m (1.5 kg-m, 11 ft - lb)

Rear door check link bolt to hinge pillar : 14.7 N·m (1.5 kg-m, 11 ft - lb)



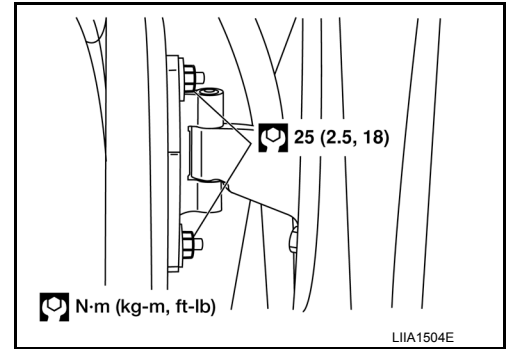
A
B
C
D
E
F
G
H
I
J
L
M
N
O
P

DLK

DOOR

< REMOVAL AND INSTALLATION >

7. Remove the door-side hinge nuts and bolts, and remove the door assembly.



Installation is in the reverse order of removal.

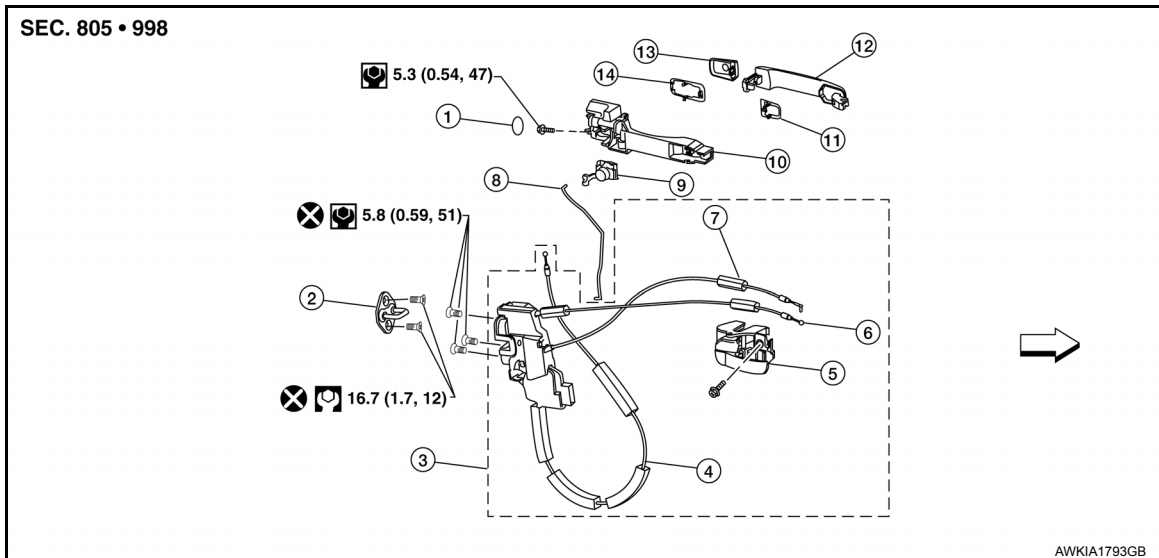
FRONT DOOR LOCK

< REMOVAL AND INSTALLATION >

FRONT DOOR LOCK

Component Structure

INFOID:000000007327324



- | | | |
|--|--|------------------------|
| 1. Grommet | 2. Front door striker | 3. Door lock assembly |
| 4. Outside handle cable | 5. Inside handle assembly | 6. Inside handle cable |
| 7. Door lock cable | 8. Key cylinder rod (Driver side only) | 9. Door key cylinder |
| 10. Outside handle bracket | 11. Front gasket | 12. Outside handle |
| 13. Door key cylinder assembly (Driver side) | 14. Rear gasket | ⇐ Front |
| Outside handle escutcheon (Passenger side) | | |

Removal and Installation

INFOID:000000007327325

REMOVAL

1. Remove the front door window regulator. Refer to [GW-16. "Front Door Glass Regulator"](#).
2. Remove door side grommet, and remove door key cylinder assembly (driver side) or outside handle escutcheon (passenger side) bolts from grommet hole.

CAUTION:

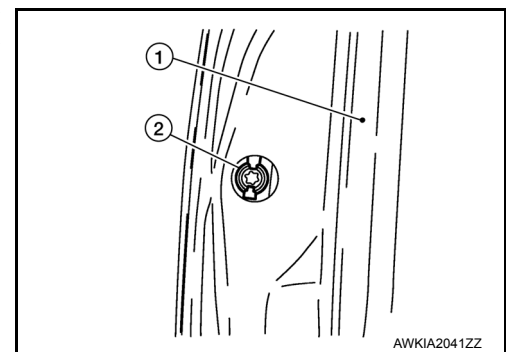
Do not forcibly remove the bolts.

(1): Weatherstrip

(2): Bolt

Bolt

5.3 N·m (0.54 kg·m, 47 in·lb)



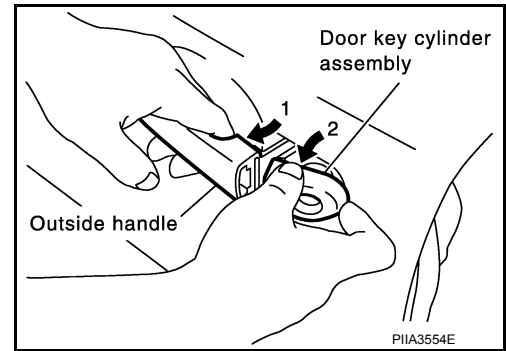
3. Separate the key cylinder rod from the key cylinder assembly.

A
B
C
D
E
F
G
H
I
J
DLK
L
M
N
O
P

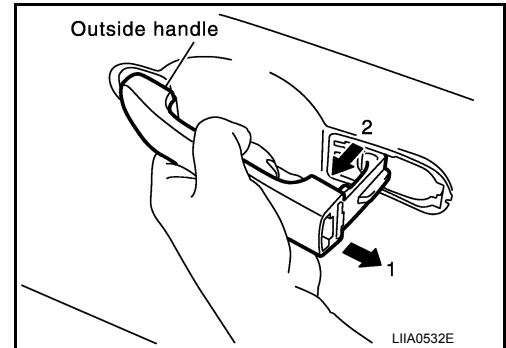
FRONT DOOR LOCK

< REMOVAL AND INSTALLATION >

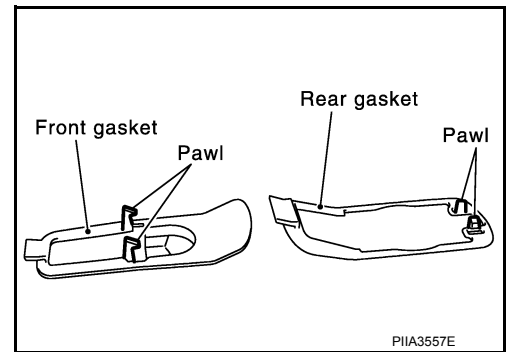
4. While pulling the outside handle (1), remove door key cylinder assembly or escutcheon (2).



5. While pulling outside handle (2), slide toward rear of vehicle to remove outside handle (1).



6. Remove the front gasket and rear gasket.

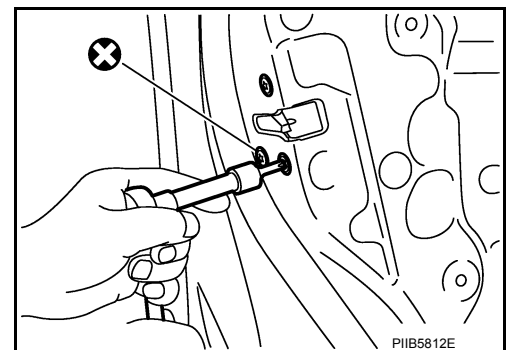


7. Remove the door lock assembly bolts and the door lock assembly.

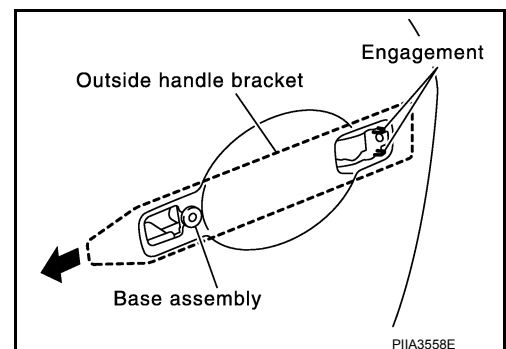
CAUTION:

Do not reuse door lock assembly bolts.

Door lock assembly bolts 5.8 N·m (0.59 kg-m, 51 in-lb)



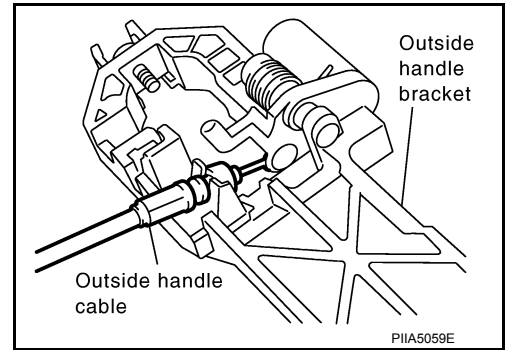
8. While pulling outside handle bracket, slide toward rear of vehicle to remove outside handle bracket and door lock assembly.



FRONT DOOR LOCK

< REMOVAL AND INSTALLATION >

9. Disconnect the door lock actuator connector.
10. Separate the outside handle cable connection from the outside handle bracket.



INSTALLATION

Installation in the reverse order of removal.

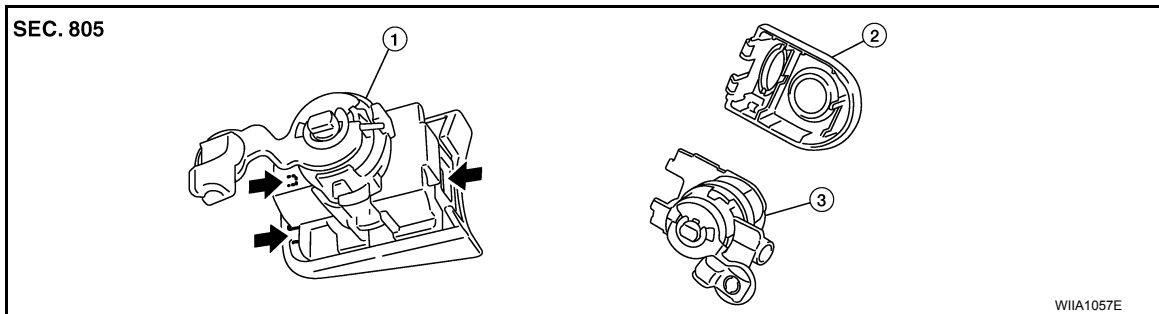
CAUTION:

To install each rod, be sure to rotate the rod holder until a click is felt.

Disassembly and Assembly

INFOID:000000007327326

DOOR KEY CYLINDER ASSEMBLY



1. Door key cylinder assembly

2. Key cylinder escutcheon

3. Door key cylinder

← Pawl

Remove the key cylinder escutcheon pawl and remove the door key cylinder.

A
B
C
D
E
F
G
H
I
J
L
M
N
O
P

DLK

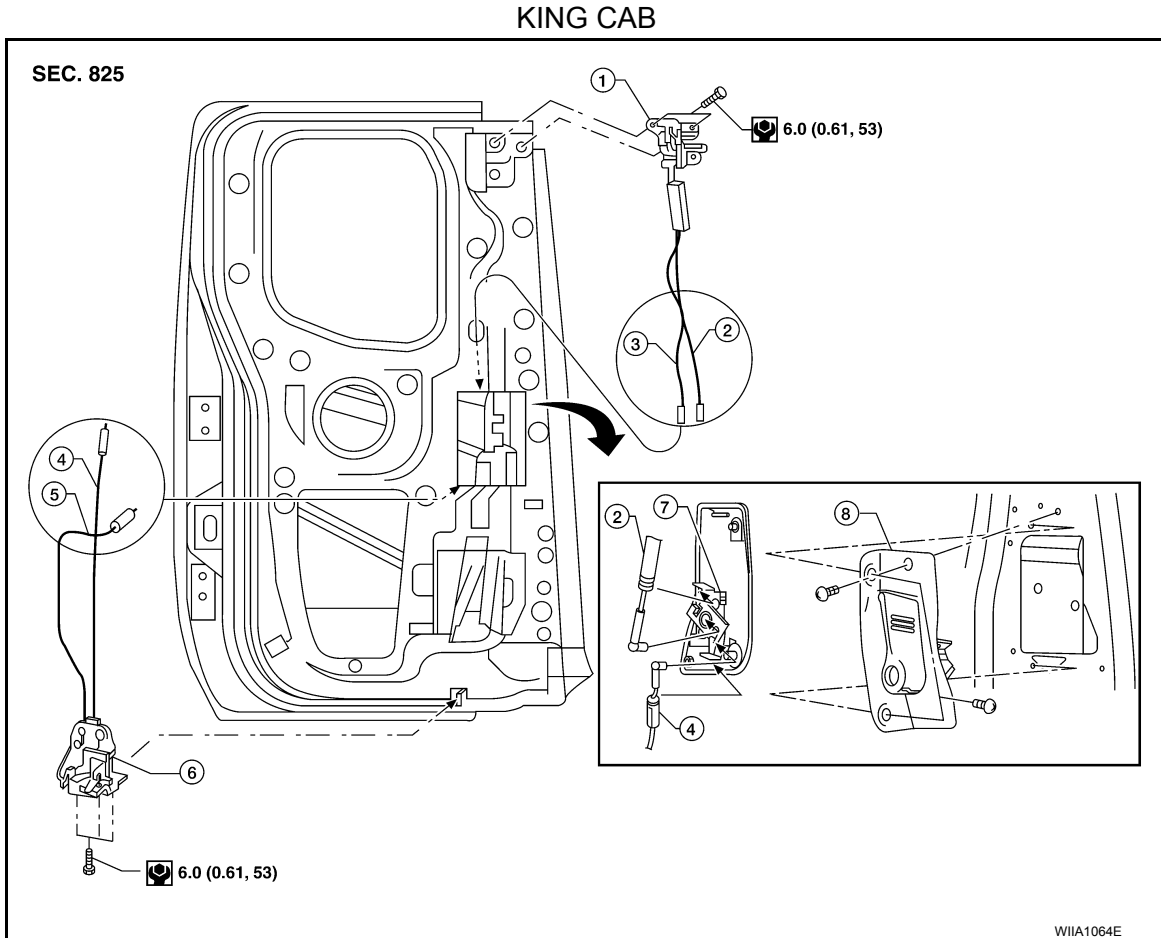
REAR DOOR LOCK

< REMOVAL AND INSTALLATION >

REAR DOOR LOCK

Component Structure

INFOID:000000007327327

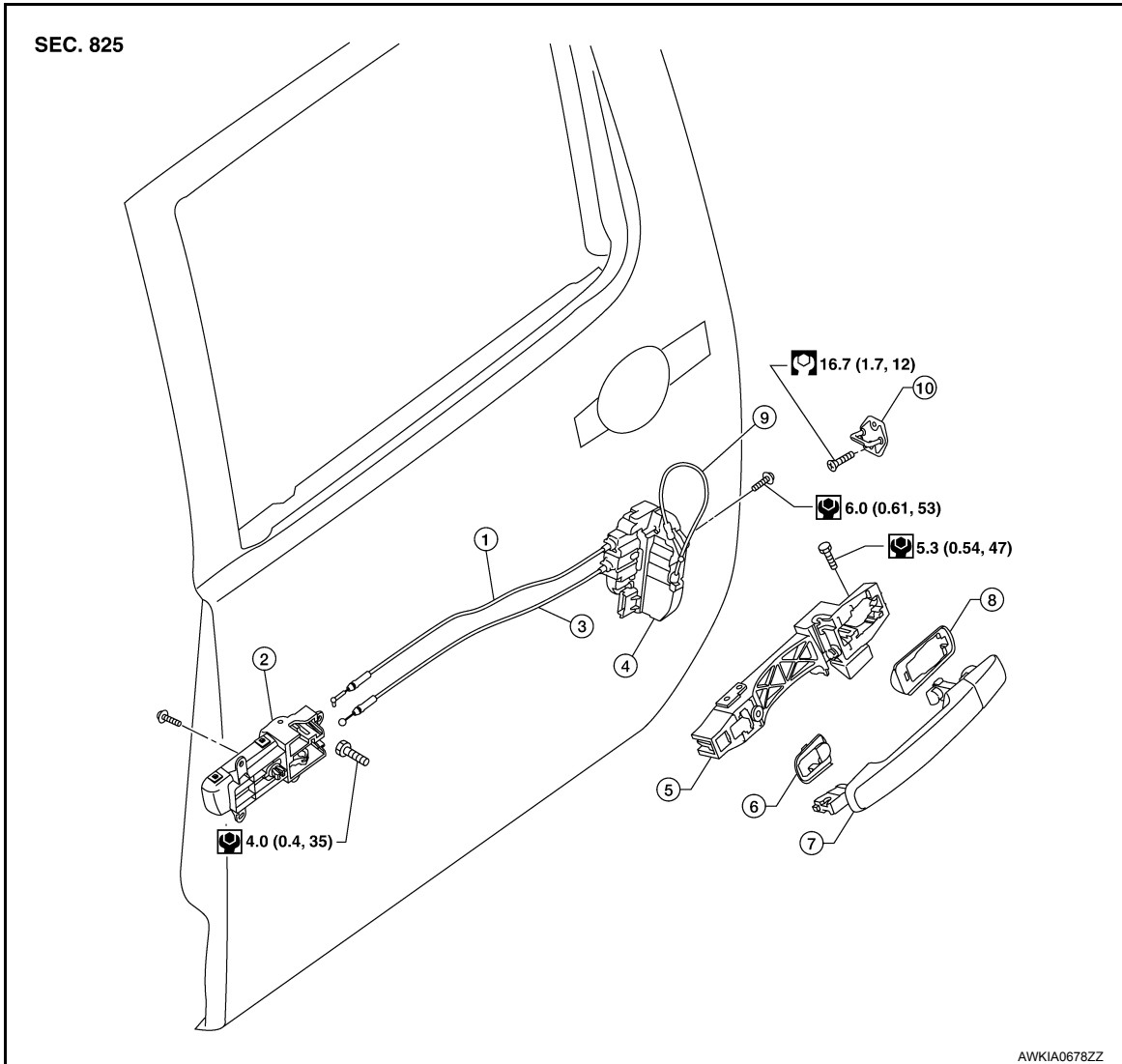


- | | | |
|----------------------------|-----------------------------------|-----------------------------------|
| 1. Rear upper door latch | 2. Upper latch cable | 3. Rear door switch upper harness |
| 4. Lower latch cable | 5. Rear door switch lower harness | 6. Rear lower door latch |
| 7. Rear door lock assembly | 8. Rear door handle | |

REAR DOOR LOCK

< REMOVAL AND INSTALLATION >

CREW CAB



- | | | |
|----------------------------|-------------------------------------|-------------------------|
| 1. Lock knob cable | 2. Rear inside door handle assembly | 3. Inside handle cable |
| 4. Rear door lock assembly | 5. Outside handle bracket | 6. Front gasket |
| 7. Outside handle | 8. Rear gasket | 9. Outside handle cable |
| 10. Rear door striker | | |

Removal and Installation

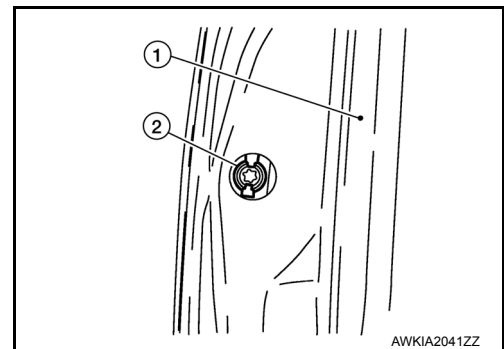
INFOID:000000007327328

REMOVAL

1. Remove the rear door module assembly. Refer to [GW-20, "Rear Door Glass Regulator"](#).
2. Remove the door side grommet and the bolt from the grommet hole.
(1): Weatherstrip
(2): Bolt

Bolt

: 5.3 N·m (0.54 kg-m, 47 in-lb)



A
B
C
D
E
F
G
H
I
J

DLK

L

M

N

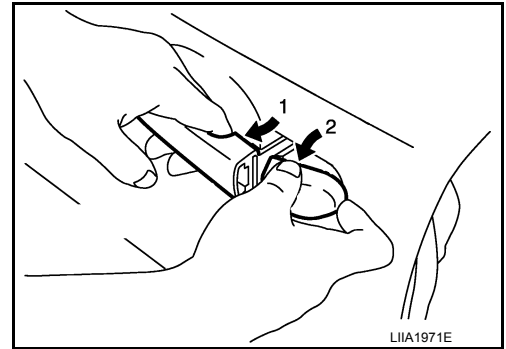
O

P

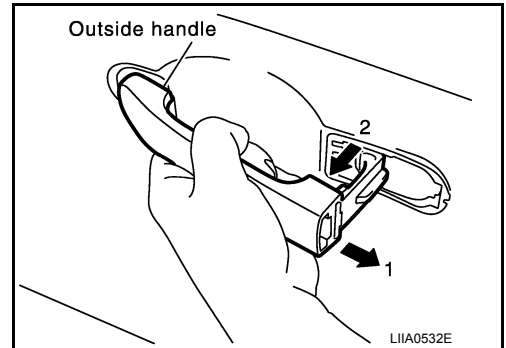
REAR DOOR LOCK

< REMOVAL AND INSTALLATION >

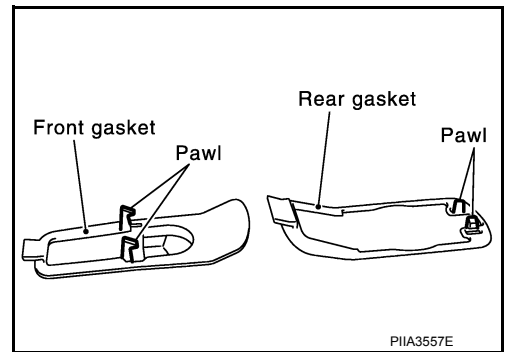
3. While pulling the outside handle (1), remove the door handle escutcheon (2).



4. While pulling the outside handle (2), slide it toward the rear of vehicle to remove (1).



5. Remove the front and rear gaskets.

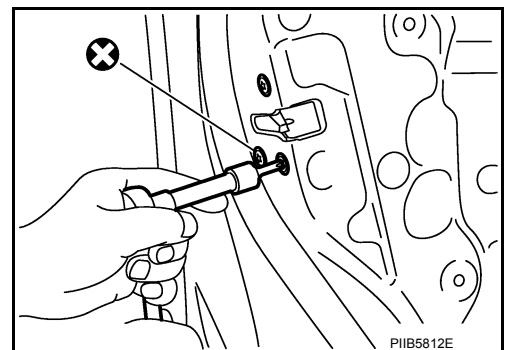


6. Remove the door lock assembly bolts and the door lock assembly.

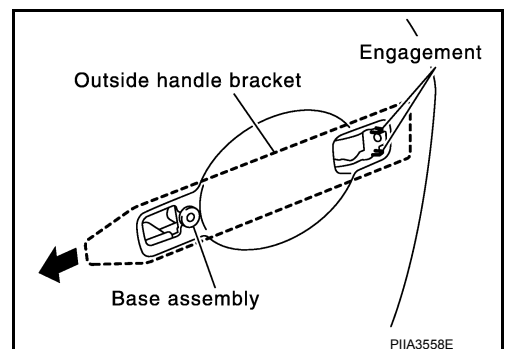
CAUTION:

Do not reuse door lock assembly bolts.

Door lock assembly bolts : 5.8 N·m (0.59 kg-m, 51 in-lb)



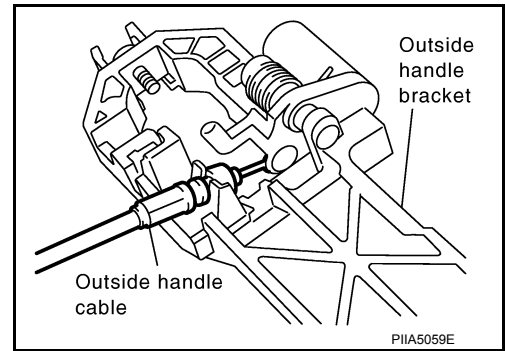
7. While pulling outside handle bracket, slide toward rear of vehicle to remove outside handle bracket and door lock assembly.



REAR DOOR LOCK

< REMOVAL AND INSTALLATION >

8. Disconnect the outside handle cable.



INSTALLATION

Installation is in the reverse order of removal.

A
B
C
D
E
F
G
H
I
J
L
M
N
O
P

DLK

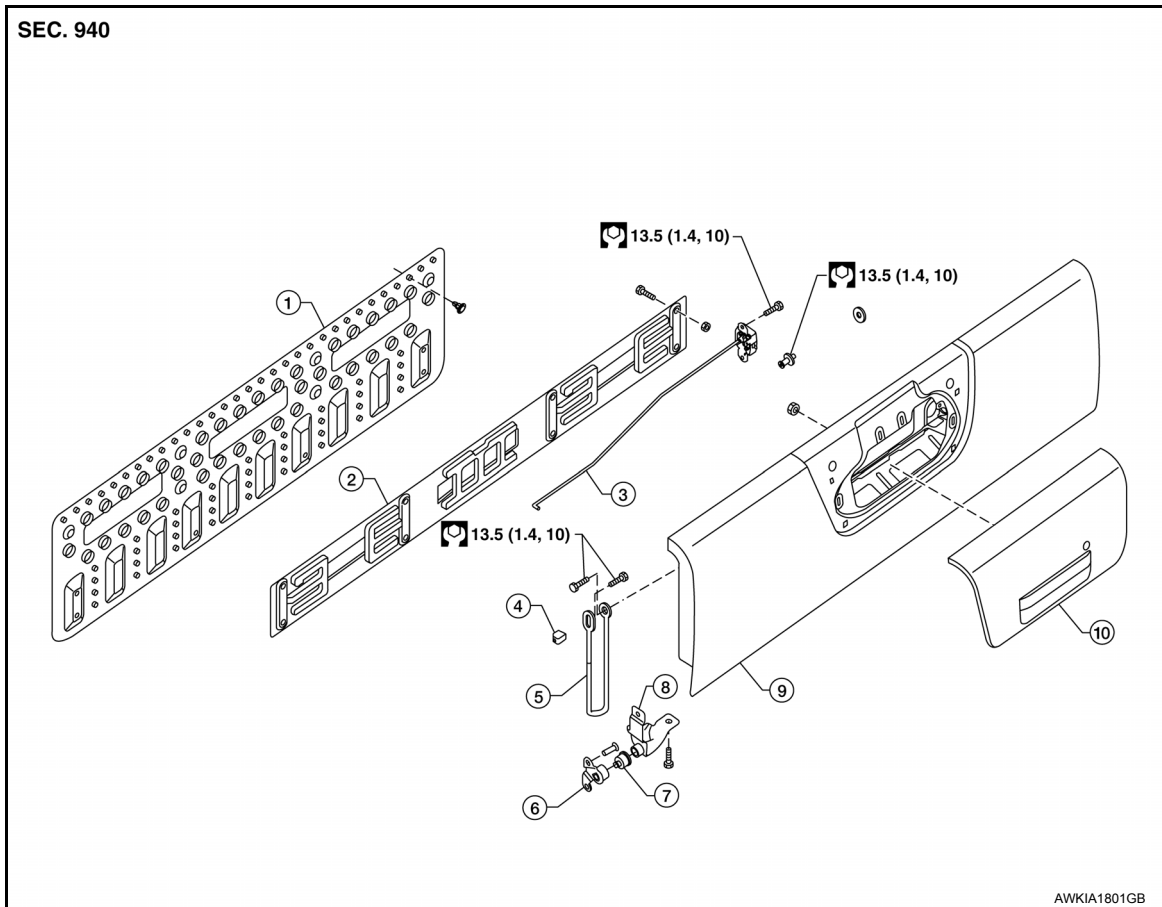
TAIL GATE

< REMOVAL AND INSTALLATION >

TAIL GATE

Removal and Installation

INFOID:000000007327329



- | | | |
|---|--|--|
| 1. Tail gate liner cover (if equipped) | 2. Tail gate inner panel | 3. Tail gate latch assembly (RH/LH) |
| 4. Tail gate rubber bumper | 5. Tail gate stay assembly | 6. Tail gate hinge assembly (RH/LH), body side |
| 7. Tail gate ring (LH) | 8. Tail gate hinge assembly (RH/LH), gate side | 9. Tail gate |
| 10. Tail gate handle and latch assembly | | |