

Edition: September 2013
Revision: May 2014
Pub No. SM14E00D40U2

NISSAN FRONTIER

MODEL D40 SERIES

All rights reserved. No part of this Service Manual may be reproduced or stored in a retrieval system, or transmitted in any form, or by any means, electronic, mechanical, photo-copying, recording or otherwise, without the prior written permission of Nissan North America, Inc.

QUICK REFERENCE INDEX

A GENERAL INFORMATION	GI General Information
B ENGINE	EM Engine Mechanical
	LU Engine Lubrication System
	CO Engine Cooling System
	EC Engine Control System
	FL Fuel System
	EX Exhaust System
	STR Starting System
	ACC Accelerator Control System
	HBC Hybrid Control System
	HBB Hybrid Battery System
C HYBRID	CL Clutch
	TM Transaxle & Transmission
	DLN Driveline
	FAX Front Axle
	RAX Rear Axle
D TRANSMISSION & DRIVE-LINE	FSU Front Suspension
	RSU Rear Suspension
	SCS Suspension Control System
	WT Road Wheels & Tires
	BR Brake System
E SUSPENSION	PB Parking Brake System
	BRC Brake Control System
	ST Steering System
F BRAKES	STC Steering Control System
	SB Seat Belt
G STEERING	SBC Seat Belt Control System
	SR SRS Airbag
H RESTRAINTS	SRC SRS Airbag Control System
	VTL Ventilation System
	HA Heater & Air Conditioning System
I VENTILATION, HEATER & AIR CONDITIONER	HAC Heater & Air Conditioning Control System
	INT Interior
J BODY INTERIOR	IP Instrument Panel
	SE Seat
	ADP Autodrive Positioner System
	AP Adjustable Pedals
K BODY EXTERIOR, DOORS, ROOF & VEHICLE SECURITY	DLK Door & Lock
	SEC Security Control System
	GW Glass & Window System
	PWC Power Window Control System
	RF Roof
	EXT Exterior
	BRM Body Repair Manual
	MIR Mirrors
	EXL Exterior Lighting System
	INL Interior Lighting System
L DRIVER CONTROLS	WW Wiper & Washer
	DEF Defogger
	HRN Horn
	PWO Power Outlet
	BCS Body Control System
	LAN LAN System
	PCS Power Control System
CHG Charging System	
M ELECTRICAL & POWER CONTROL	PG Power Supply, Ground & Circuit Elements
	MWI Meter, Warning Lamp & Indicator
	WCS Warning Chime System
	SN Sonar System
	AV Audio, Visual & Navigation System
O CRUISE CONTROL	CCS Cruise Control System
P MAINTENANCE	MA Maintenance

A

B

C

D

E

F

G

H

I

J

K

L

M

N

O

P

FOREWORD

This manual contains maintenance and repair procedure for the 2014 NISSAN FRONTIER.

In order to assure your safety and the efficient functioning of the vehicle, this manual should be read thoroughly. It is especially important that the PRECAUTIONS in the GI section be completely understood before starting any repair task.

All information in this manual is based on the latest product information at the time of publication. The right is reserved to make changes in specifications and methods at any time without notice.

IMPORTANT SAFETY NOTICE

The proper performance of service is essential for both the safety of the technician and the efficient functioning of the vehicle.

The service methods in this Service Manual are described in such a manner that the service may be performed safely and accurately. Service varies with the procedures used, the skills of the technician and the tools and parts available. Accordingly, anyone using service procedures, tools or parts which are not specifically recommended by NISSAN must first be completely satisfied that neither personal safety nor the vehicle's safety will be jeopardized by the service method selected.



NISSAN NORTH AMERICA, INC.
Technical Publications Department



PLEASE HELP MAKE THIS SERVICE MANUAL BETTER!

Your comments are important to NISSAN and will help us to improve our Service Manuals.
Use this form to report any issues or comments you may have regarding our Service Manuals.

Please print this form and type or write your comments below. Mail or fax to:

Nissan North America, Inc.
Technical Service Information
39001 Sunrise Drive, P.O. Box 9200
Farmington Hills, MI USA 48331
FAX: (248) 488-3880

SERVICE MANUAL: Model: _____ **Year:** _____

PUBLICATION NO. (Refer to Quick Reference Index): _____

Please describe any Service Manual issues or problems in detail:

Page number(s) _____ *Note: Please include a copy of each page, marked with your comments.*

Are the trouble diagnosis procedures logical and easy to use? (circle your answer) YES NO

If no, what page number(s)? _____ *Note: Please include a copy of each page, marked with your comments.*

Please describe the issue or problem in detail: _____

Is the organization of the manual clear and easy to follow? (circle your answer) YES NO

Please comment: _____

What information should be included in NISSAN Service Manuals to better support you in servicing or repairing customer vehicles?

DATE: _____ YOUR NAME: _____ POSITION: _____

DEALER: _____ DEALER NO.: _____ ADDRESS: _____

CITY: _____ STATE/PROV./COUNTRY: _____ ZIP/POSTAL CODE: _____

QUICK REFERENCE GUIDE: FRONTIER

Engine Tune-up Data: QR25DE

INFOID:0000000010288615

GENERAL SPECIFICATIONS

Cylinder arrangement		In-line 4
Displacement	cm ³ (cu in)	2,488 (151.82)
Bore and stroke	mm (in)	89.0 x 100.0 (3.504 x 3.937)
Valve arrangement		DOHC
Firing order		1-3-4-2
Number of piston rings	Compression	2
	Oil	1
Compression ratio		9.5
Compression pressure kPa (kg/cm ² , psi) / 250 rpm	Standard	1,304 (13.3, 189)
	Minimum	1,108 (11.3, 161)
	Differential limit between cylinders	100 (1.0, 14)

DRIVE BELT

Tension of drive belt	Auto adjustment by auto-tensioner
-----------------------	-----------------------------------

SPARK PLUG

Make	NGK
Standard type*	PLZKAR6A-11
Gap (nominal)	1.1 mm (0.043 in)

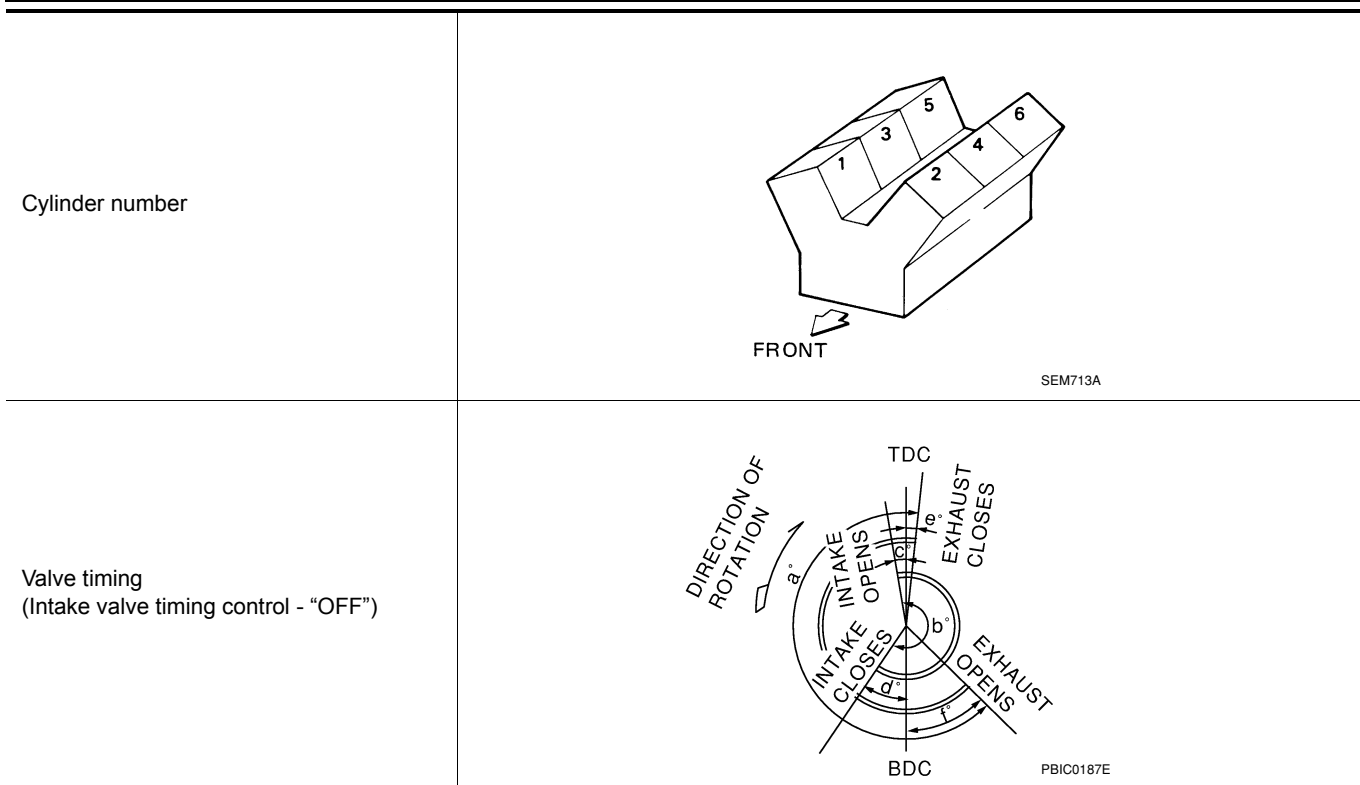
*: Always check with the Parts Department for the latest parts information.

Engine Tune-up Data: VQ40DE

INFOID:0000000010288614

GENERAL SPECIFICATIONS

Cylinder arrangement		V-6
Displacement	cm ³ (cu in)	3,954 (241.30)
Bore and stroke	mm (in)	95.5 × 92.0 (3.76 × 3.622)
Valve arrangement		DOHC
Firing order		1-2-3-4-5-6
Number of piston rings	Compression	2
	Oil	1
Number of main bearings		4
Compression ratio		9.7
Compression pressure kPa (kg/cm ² , psi)/300 rpm	Standard	1,275 (13.0, 185)
	Minimum	981 (10.0, 142)
	Differential limit between cylinders	98 (1.0, 14)



Unit: degree					
a	b	c	d	e	f
244	240	-4	64	6	58

DRIVE BELT

Tension of drive belts	Auto adjustment by auto-tensioner
------------------------	-----------------------------------

SPARK PLUG

Make	NGK
Standard type*	DILFR5A-11
Gap (nominal)	1.1 mm (0.043 in)

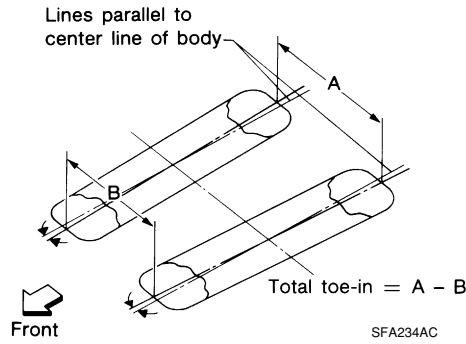
*: Always check with the Parts Department for the latest parts information.

Front Wheel Alignment (Unladen*1)*6

INFOID:0000000010288613

Drive type		2WD	4WD
Camber Degree minute (decimal degree)	Minimum	-0° 30' (-0.50°)	-0° 15' (-0.25°)
	Nominal	0° 15' (0.25°)	0° 30' (0.50°)
	Maximum	1° 0' (1.00°)	1° 15' (1.25°)
	Cross camber	0° 45' (0.75°) or less	0° 45' (0.75°) or less
Caster Degree minute (decimal degree)	Minimum	2° 00' (2.00°)	1° 45' (1.75°)
	Nominal	2° 45' (2.75°)	2° 30' (2.5°)
	Maximum	3° 30' (3.50°)	3° 15' (3.25°)
	Cross caster	0° 45' (0.75°) or less	0° 45' (0.75°) or less
Kingpin inclination Degree minute (decimal degree)	Nominal	13° 0' (13.00°)	12° 45' (12.75°)

Drive type	2WD	4WD
------------	-----	-----



Total toe-in	Distance	Minimum	In 3.0 mm (In 0.12 in)
		Nominal	In 4.0 mm (In 0.16 in)
		Maximum	In 5.0 mm (In 0.20 in)
	Angle Degree minute (Decimal degree)	Minimum	In 0° 7' (In 0.12°)
		Nominal	In 0° 9' (In 0.15°)
		Maximum	In 0° 11' (In 0.18°)
Wheel turning angle (full turn)	Inside Degree minute (Decimal degree)	33° 28' – 35° 28' *2 (33.47° – 35.47°)	33° 38' – 35° 38' *4 (33.63° – 35.63°)
	Outside Degree minute (Decimal degree)	29° 27' – 31° 27' *3 (29.45° – 31.45°)	29° 49' – 31° 49' *5 (29.82° – 31.82°)

*1: Fuel, radiator coolant and engine oil full. Spare tire, jack, hand tools and mats in designated positions.

*2: Target value 35° 28' (35.47°)

*3: Target value 31° 27' (31.45°)

*4: Target value 35° 38' (35.63°)

*5: Target value 31° 49' (31.82°)

*6: Some vehicles may be equipped with straight (non-adjustable) lower link bolts and washers. In order to adjust camber and caster on these vehicles, first replace the lower link bolts and washers with adjustable (cam) bolts and washers.

General Specification (Rear)

INFOID:000000010288611

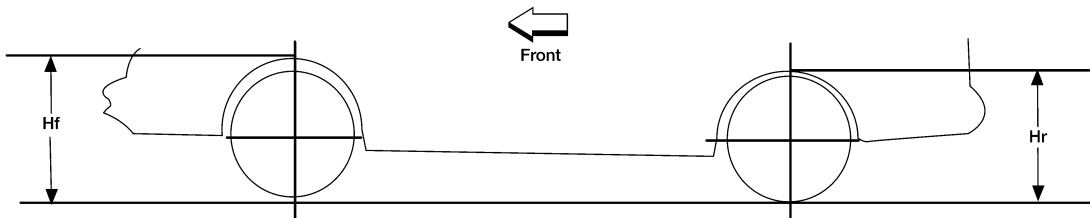
Suspension type	Rigid axle with semi-elliptic leaf springs
Shock absorber type	Double-acting hydraulic

Wheelarch Height (Unladen*1)

INFOID:000000010288612

King Cab

Unit: mm (in)



LEIA0085E

Drive type	2WD			4WD		
Engine type	QR25DE			VQ40DE		
Tire size	P235/75R15	P265/70R16	P265/70R16	P265/75R16	P265/70R16	P265/75R16

QUICK REFERENCE GUIDE: FRONTIER

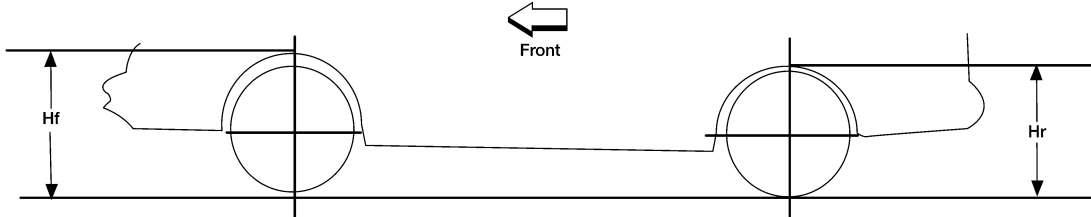
2014

Front wheelarch height (Hf)	850 (33.46)	865 (34.06)	868 (34.17)	880 (34.65)	881 (34.68)	893 (35.16)
Rear wheelarch height (Hr)	878 (34.57)	887 (34.92)	895 (35.24)	907 (35.71)	904 (35.59)	917 (36.10)

*1: Fuel, radiator coolant and engine oil full. Spare tire, jack, hand tools and mats in designated positions.

Crew Cab

Unit: mm (in)



LEIA0085E

Engine type	VQ40DE									
Drive type	2WD					4WD				
Tire size	P265/70R16		P265/75R16	P265/60R18		P265/70R16		P265/75R16	P265/60R18	
Wheel base	Short	Long	Short	Short	Long	Short	Long	Short	Short	Long
Front wheelarch height (Hf)	867 (34.13)	870 (34.25)	879 (34.61)	866 (34.09)	869 (34.21)	879 (34.61)	882 (34.72)	891 (35.08)	879 (34.61)	882 (34.72)
Rear wheelarch height (Hr)	892 (35.12)	892 (35.12)	904 (35.59)	892 (35.12)	892 (35.12)	905 (35.63)	902 (35.51)	918 (36.14)	905 (35.63)	902 (35.51)

*1: Fuel, radiator coolant and engine oil full. Spare tire, jack, hand tools and mats in designated positions.

Brake Specifications

INFOID:0000000010288609

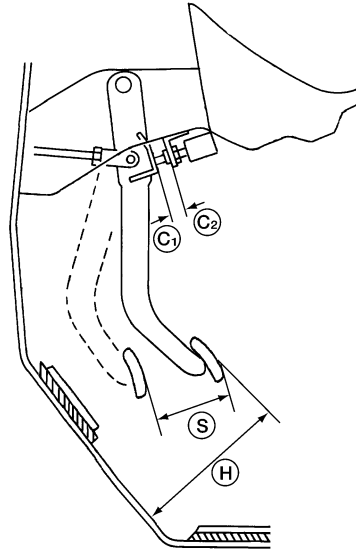
Unit: mm (in)

Engine Type		QR25DE	VQ40DE
Front brake	Brake model	CLZ33VA	
	Rotor outer diameter × thickness	283 × 28 (11.142 × 1.102)	296 × 28 (11.654 × 1.102)
	Pad Length × width × thickness	140 × 50.5 × 10 (5.51 × 1.99 × 0.39)	
	Cylinder bore diameter (each)	46.4 (1.83)	
Rear brake	Brake model	CLZ14VA	
	Rotor outer diameter × thickness	286 × 18 (11.260 × 0.709)	
	Pad length × width × thickness	87.6 × 35.5 × 11.0 (3.449 × 1.398 × 0.433)	
	Cylinder bore diameter	38.1 (1.50)	
Control valve	Valve model	Electric brake force distribution	
Brake booster	Booster model	C215T	
	Diaphragm diameter	215 (8.465)	

Brake Pedal

INFOID:000000010288610

Unit: mm (in)



AWFIA0557ZZ

Pedal free height (H)	M/T	174.7 +10/-0 (6.88 +0.39/-0)
	A/T	182.1 +10/-0 (7.17 +0.39/-0)
Pedal full stroke (S)		153 (6.02)
Clearance between pedal stopper(C1) and threaded end of stop lamp switch and ASCD cancel switch (C2) (if equipped)		0.74 - 1.96 (0.029 - 0.077)

Front Disc Brake

INFOID:000000010288607

Unit: mm (in)

Engine type	QR25DE / VQ40DE	
Brake model	CLZ33VA	
Brake pad	Standard thickness (new)	10.0 (0.394)
	Minimum thickness	2.0 (0.079)
Disc rotor	Standard thickness (new)	28.0 (1.102)
	Minimum thickness	26.0 (1.024)
	Maximum uneven wear (measured at 8 positions)	0.015 (0.0006)
	Runout limit (with it attached to the vehicle)	0.05 (0.0020)

Rear Disc Brake

INFOID:000000010288608

Unit: mm (in)

Engine type	QR25DE / VQ40DE	
Brake model	CLZ14VA	
Brake pad	Standard thickness (new)	11.0 (0.433)
	Minimum thickness	2.0 (0.079)

QUICK REFERENCE GUIDE: FRONTIER

2014

Engine type		QR25DE / VQ40DE
Brake model		CLZ14VA
Disc rotor	Standard thickness (new)	18.0 (0.709)
	Minimum thickness	16.0 (0.630)
	Maximum uneven wear (measured at 8 positions)	0.015 (0.0006)
	Runout limit (with it attached to the vehicle)	0.05 (0.0020)

FOR USA AND CANADA : Fluids and Lubricants

INFOID:000000010288601

QR25DE

Description		Capacity (Approximate)		
		Metric	US measure	Imp measure
Fuel		80 ℓ	21-1/8 gal	17-5/8 gal
Engine oil Drain and refill	With oil filter change	4.6 ℓ	4-7/8 qt	4 qt
	Without oil filter change	4.3 ℓ	4-1/2 qt	3-3/4 qt
Dry engine (engine overhaul)		5.0 ℓ	5-1/4 qt	4-3/8 qt
Cooling system	With reservoir at MAX level	9.4 ℓ	10 qt	8-1/4 qt
Automatic transmission fluid (ATF)		10.3 ℓ	10-7/8 qt	9-1/8 qt
Manual transmission fluid (MTF) (5 M/T)		2.9 ℓ	6-1/8 pt	5-1/8 pt
Rear final drive oil	C200	1.6 ℓ	3-3/8 pt	2-7/8 pt
Power steering fluid (PSF)		1.0 ℓ	2-1/8 pt	1-3/4 pt
Brake and clutch fluids		—	—	—
Multi-purpose grease		—	—	—
Windshield washer fluid		4.5 ℓ	1-1/4 gal	1 gal
Air conditioning system refrigerant		0.70 ± 0.05 kg	1.54 ± 0.11 lb	1.54 ± 0.11 lb
Air conditioning system oil		180 m ℓ	6.1 fl oz	6.3 fl oz

VQ40DE

Description		Capacity (Approximate)		
		Metric	US measure	Imp measure
Fuel		80 ℓ	21-1/8 gal	17-5/8 gal
Engine oil Drain and refill	With oil filter change	5.1 ℓ	5-3/8 qt	4-1/2 qt
	Without oil filter change	4.8 ℓ	5-1/8 qt	4-1/4 qt
Dry engine (engine overhaul)		6.3 ℓ	6 5/8 qt	5-1/2 qt
Cooling system	With reservoir at MAX level	10.2 ℓ	10-3/4 qt	9 qt
Automatic transmission fluid (ATF)		10.3 ℓ	10-7/8 qt	9-1/8 qt
Manual transmission fluid (MTF) (6 M/T)	2WD	4.0 ℓ	8-3/8 pt	7 pt
	4WD	4.2 ℓ	8-7/8 pt	7-3/8 pt

QUICK REFERENCE GUIDE: FRONTIER

2014

Description		Capacity (Approximate)		
		Metric	US measure	Imp measure
Rear final drive oil	C200	1.6 ℓ	3-3/8 pt	2-7/8 pt
	M226	2.0 ℓ	4-1/4 pt	3-1/2 pt
Transfer fluid	TX15B	2.0 ℓ	2-1/8 qt	1-3/4 qt
Front final drive oil		0.85 ℓ	1-3/4 pt	1-1/2 pt
Power steering fluid (PSF)		1.0 ℓ	2-1/8 pt	1-3/4 pt
Brake and clutch fluid		—	—	—
Multi-purpose grease		—	—	—
Windshield washer fluid		4.5 ℓ	1-1/4 gal	1 gal
A/C system refrigerant		0.70 ± 0.05 kg	1.54 ± 0.11 lb	1.54 ± 0.11 lb
A/C system oil		180 m ℓ	6.1 fl oz	6.3 fl oz

FOR MEXICO : Fluids and Lubricants

INFOID:0000000010288604

VQ40DE

Description		Capacity (Approximate)		
		Metric	US measure	Imp measure
Fuel		80 ℓ	21-1/8 gal	17-5/8 gal
Engine oil Drain and refill	With oil filter change	5.1 ℓ	5-3/8 qt	4-1/2 qt
	Without oil filter change	4.8 ℓ	5-1/8 qt	4-1/4 qt
Dry engine (engine overhaul)		6.3 ℓ	6-5/8 qt	5-1/2 qt
Cooling system (with reservoir at "MAX" level)		10.2 ℓ	10-3/4 qt	9 qt
Automatic transmission fluid (ATF)		10.3 ℓ	10-7/8 qt	9-1/8 qt
Rear final drive oil		2.0 ℓ	4-1/4 pt	3-1/2 pt
Transfer fluid		2.0 ℓ	2-1/8 qt	1-3/4 qt
Front final drive oil		0.85 ℓ	1-3/4 pt	1-1/2 pt
Power steering fluid (PSF)		1.0 ℓ	2-1/8 pt	1-3/4 pt
Brake fluid		—	—	—
Multi-purpose grease		—	—	—
Windshield washer fluid		4.5 ℓ	1 1/4 gal	1 gal
A/C system refrigerant		0.70 ± 0.05 kg	1.54 ± 0.11 lb	1.54 ± 0.11 lb
A/C system oil		180 m ℓ	6.1 fl oz	6.3 fl oz