

SECTION **CL**
CLUTCH

A
B
C

CL

CONTENTS

E

SYMPTOM DIAGNOSIS	3	Exploded View	12	F
NOISE, VIBRATION AND HARSHNESS (NVH) TROUBLESHOOTING	3	Removal and Installation	12	
NVH Troubleshooting Chart	3	CLUTCH PIPING	13	G
PRECAUTION	4	Exploded View	13	
PRECAUTIONS	4	Removal and Installation	13	
Caution for Supplemental Restraint System (SRS) "AIR BAG" and "SEAT BELT PRE-TENSIONER"	4	UNIT REMOVAL AND INSTALLATION	14	H
Service Notice or Precautions	4	CLUTCH RELEASE MECHANISM	14	
PREPARATION	5	5M/T	14	I
PREPARATION	5	5M/T : Exploded View	14	
Special Service Tool	5	5M/T : Removal and Installation	14	J
Commercial Service Tool	5	5M/T : Inspection	15	
PERIODIC MAINTENANCE	7	6M/T	15	K
CLUTCH PEDAL	7	6M/T : Exploded View	16	
On-Vehicle Inspection and Adjustment	7	6M/T : Removal and Installation	16	
CLUTCH FLUID	8	6M/T : Inspection	17	
Bleeding	8	CLUTCH DISC, CLUTCH COVER	19	L
REMOVAL AND INSTALLATION	9	5M/T	19	M
CLUTCH PEDAL	9	5M/T : Exploded View	19	
Exploded View	9	5M/T : Removal and Installation	19	
Removal and Installation	9	5M/T : Inspection after Removal	20	
Inspection	9	5M/T : Adjustment after Installation	21	N
CLUTCH MASTER CYLINDER	10	6M/T	21	
Exploded View	10	6M/T : Exploded View	21	
Removal and Installation	10	6M/T : Removal and Installation	22	
CLUTCH RESERVOIR	11	6M/T : Inspection after Removal	22	O
Removal and Installation	11	6M/T : Adjustment after Installation	23	
OPERATING CYLINDER	12	SERVICE DATA AND SPECIFICATIONS (SDS)	25	P
		SERVICE DATA AND SPECIFICATIONS (SDS)	25	
		Clutch Control System	25	
		Clutch Master Cylinder	25	
		Clutch Operating Cylinder	25	

Clutch Disc	25	Clutch Pedal	26
Clutch Cover	25		

NOISE, VIBRATION AND HARSHNESS (NVH) TROUBLESHOOTING

< SYMPTOM DIAGNOSIS >

SYMPTOM DIAGNOSIS

NOISE, VIBRATION AND HARSHNESS (NVH) TROUBLESHOOTING

NVH Troubleshooting Chart

INFOID:000000010709801

Use the chart below to help you find the cause of the symptom. The numbers indicate the order of the inspection. If necessary, repair or replace these parts.

CLUTCH

Symptom		SUSPECTED PARTS (Possible cause)														Reference page					
		CLUTCH PEDAL (Free play out of adjustment)	CLUTCH LINE (Air in line)	MASTER CYLINDER PISTON CUP (Damaged)	OPERATING CYLINDER PISTON CUP (Damaged)	ENGINE MOUNTING (Loose)	RELEASE BEARING (Worn, dirty or damaged)	CLUTCH DISC (Out of true)	CLUTCH DISC (Runout is excessive)	CLUTCH DISC (Lining broken)	CLUTCH DISC (Dirty or burned)	CLUTCH DISC (Oily)	CLUTCH DISC (Worn out)	CLUTCH DISC (Hardened)	CLUTCH DISC (Lack of spline grease)		DIAPHRAGM SPRING (Damaged)	DIAPHRAGM SPRING (Out of tip alignment)	PRESSURE PLATE (Distortion)	FLYWHEEL (Distortion)	
Clutch grabs/chatters	Clutch grabs/chatters					1															CL-7 CL-8 BR-44 CL-12 EM-7Z (QR25DE), EM-216 (VQ40DE) CL-14 (5M/T), CL-16 (6 M/T) CL-19 (5M/T), CL-21 (6M/T) EM-91 (QR25DE), EM-230 (VQ40DE)
	Clutch pedal spongy		1	2	2																
	Clutch noisy						1														
	Clutch slips	1										2	2			3		4	5		
	Clutch does not disengage	1	2	3	4				5	5	5	5			5	6	6	7			

A
B
C
CL
E
F
G
H
I
J
K
L
M
N
O
P

PRECAUTIONS

< PRECAUTION >

PRECAUTION

PRECAUTIONS

Precaution for Supplemental Restraint System (SRS) "AIR BAG" and "SEAT BELT PRE-TENSIONER"

INFOID:000000010709802

The Supplemental Restraint System such as "AIR BAG" and "SEAT BELT PRE-TENSIONER", used along with a front seat belt, helps to reduce the risk or severity of injury to the driver and front passenger for certain types of collision. This system includes seat belt switch inputs and dual stage front air bag modules. The SRS system uses the seat belt switches to determine the front air bag deployment, and may only deploy one front air bag, depending on the severity of a collision and whether the front occupants are belted or unbelted. Information necessary to service the system safely is included in the SR and SB section of this Service Manual.

WARNING:

- To avoid rendering the SRS inoperative, which could increase the risk of personal injury or death in the event of a collision which would result in air bag inflation, all maintenance must be performed by an authorized NISSAN/INFINITI dealer.
- Improper maintenance, including incorrect removal and installation of the SRS, can lead to personal injury caused by unintentional activation of the system. For removal of Spiral Cable and Air Bag Module, see the SR section.
- Do not use electrical test equipment on any circuit related to the SRS unless instructed to in this Service Manual. SRS wiring harnesses can be identified by yellow and/or orange harnesses or harness connectors.

PRECAUTIONS WHEN USING POWER TOOLS (AIR OR ELECTRIC) AND HAMMERS

WARNING:

- When working near the Airbag Diagnosis Sensor Unit or other Airbag System sensors with the Ignition ON or engine running, DO NOT use air or electric power tools or strike near the sensor(s) with a hammer. Heavy vibration could activate the sensor(s) and deploy the air bag(s), possibly causing serious injury.
- When using air or electric power tools or hammers, always switch the Ignition OFF, disconnect the battery and wait at least three minutes before performing any service.

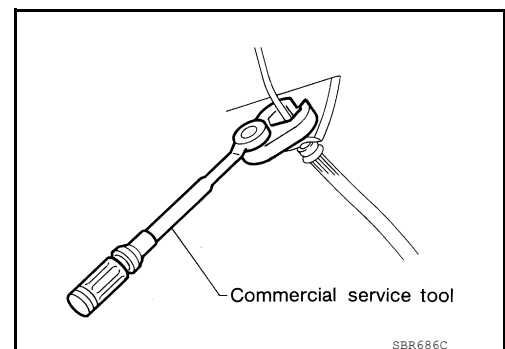
Service Notice or Precautions

INFOID:000000010709803

- Always use recommended fluid. Refer to [MA-16, "FOR USA AND CANADA : Fluids and Lubricants"](#).
- Do not reuse drained fluid.
- Be careful not to splash fluid on painted areas.
- When removing and installing clutch piping, use tool.
- Use new fluid to clean or wash all parts of master cylinder.
- Do not use mineral oils such as gasoline or kerosene. It will ruin the rubber parts of the hydraulic system.

WARNING:

After cleaning clutch disc, wipe it with a dust collector. Do not use compressed air.



SBR686C

PREPARATION

< PREPARATION >


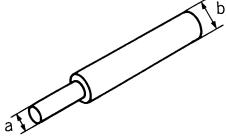
PREPARATION

PREPARATION

Special Service Tool


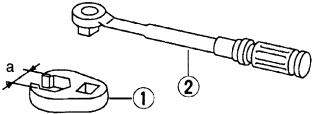
INFOID:0000000010709804

The actual shape of the tools may differ from those illustrated here.

Tool number (TechMate No.) Tool name	Description
ST20050240 (—) Diaphragm adjusting wrench  ZZA0508D	Adjusting unevenness of diaphragm spring of clutch cover
ST20630000 (J-26366) Clutch aligning bar  ZZA1178D	Installing clutch disc a: 15.8 mm (0.622 in) dia. b: 22.9 mm (0.902 in) dia.

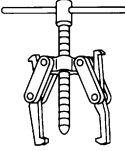
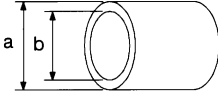
Commercial Service Tool

INFOID:0000000010709805

Tool name	Description
Power tool  PIIB1407E	Loosening nuts, screws and bolts
1. Flare nut crowfoot 2. Torque wrench  S-NT360	Removing and installing clutch piping a: 10 mm (0.39 in)

PREPARATION

< PREPARATION >

Tool name	Description
Bearing puller  NT077	Removing release bearing
Bearing drift  NT474	Installing release bearing a: 52 mm (2.05 in) dia. b: 45 mm (1.77 in) dia.

CLUTCH PEDAL

< PERIODIC MAINTENANCE >

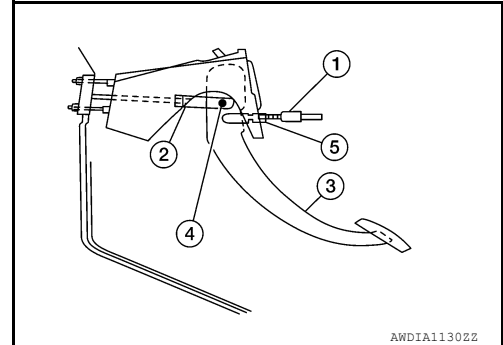
PERIODIC MAINTENANCE

CLUTCH PEDAL

On-Vehicle Inspection and Adjustment

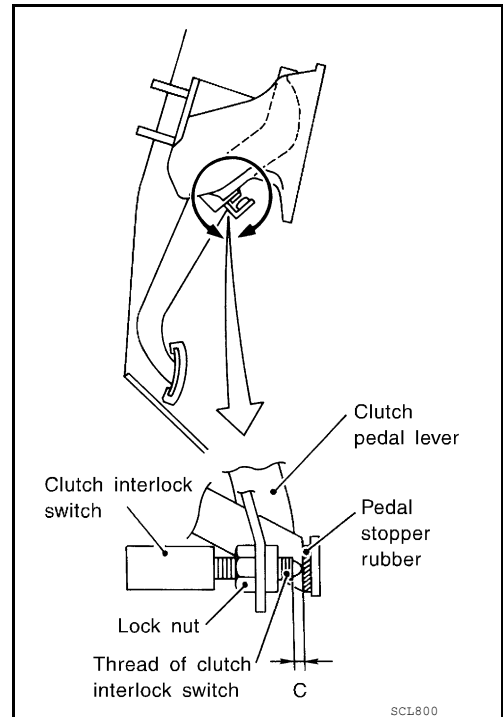
INFOID:000000010709806

1. Check to see if the clevis pin (4) floats freely in the bore of the clutch pedal. It should not be bound by the clevis (2) or clutch pedal.
 - a. If the clevis pin (4) is not free, check that the clutch pedal position switch (if equipped) (1) is not applying pressure to the clutch pedal causing the clevis pin (4) to bind. To adjust, loosen the lock nut and turn the clutch pedal position switch (if equipped) (1).
 - b. Tighten the lock nut(5) to the specified torque. Refer to [CL-9, "Exploded View"](#).
 - c. Verify that the clevis pin (4) floats in the bore of the clutch pedal (3). It should not be bound by the clutch pedal.
 - d. If the clevis pin (4) is still not free, remove the clevis pin and check for deformation or damage. Replace clevis pin if necessary. Leave pin (4) removed for step 2.
2. Check clutch pedal stroke for free range of movement.
 - a. With the clevis pin removed, manually move the clutch pedal up and down to determine if it moves freely.
 - b. If any sticking is noted, replace the assembly.
 3. Adjust clearance (C) while depressing clutch pedal fully. (With clutch interlock switch)



Clearance (C) : 0.1 - 1.0 mm (0.004 - 0.039 in)

4. Check clutch hydraulic and system components (clutch master cylinder, clutch operating cylinder, clutch withdrawal lever and clutch release bearing) for sticking or binding.
 - a. If any sticking or binding noted, repair or replace related parts as necessary.
 - b. If hydraulic system repair was necessary, bleed the clutch hydraulic system. Refer to [CL-8, "Bleeding"](#).



CLUTCH FLUID

< PERIODIC MAINTENANCE >

CLUTCH FLUID

Bleeding

INFOID:000000010709807

WARNING:

Brake and clutch fluid is poison and should be stored carefully in marked containers out of the reach of children.

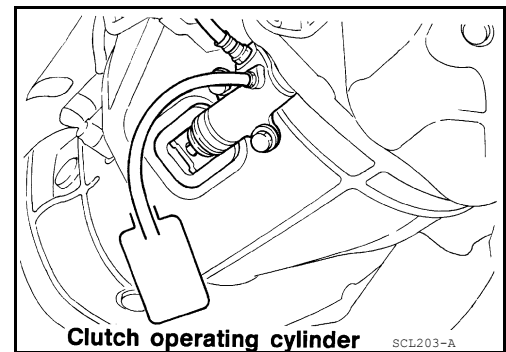
CAUTION:

- Use only new fluid from a sealed container.
- Clean the filler cap before removing (if applicable).
- Do not spill clutch fluid onto painted surfaces. If it spills, wipe up immediately and wash the affected area with water.

NOTE:

Monitor the fluid level in the reservoir tank to make sure it does not empty.

1. Top off reservoir with new recommended brake fluid. Refer to [MA-16. "FOR USA AND CANADA : Fluids and Lubricants"](#).
2. Connect a transparent vinyl tube and container to the air bleeder valve on the clutch operating cylinder.
3. Fully depress the clutch pedal several times.
4. With the clutch pedal depressed, open the bleeder valve to release the air.
5. Close the bleeder valve.
6. Repeat steps 3 to 5 until clear brake fluid comes out of the air bleeder valve.
7. Tighten the air bleeder to the specified torque.



Air bleeder 7.9 N·m (0.81 kg·m, 70 in·lb)

CLUTCH PEDAL

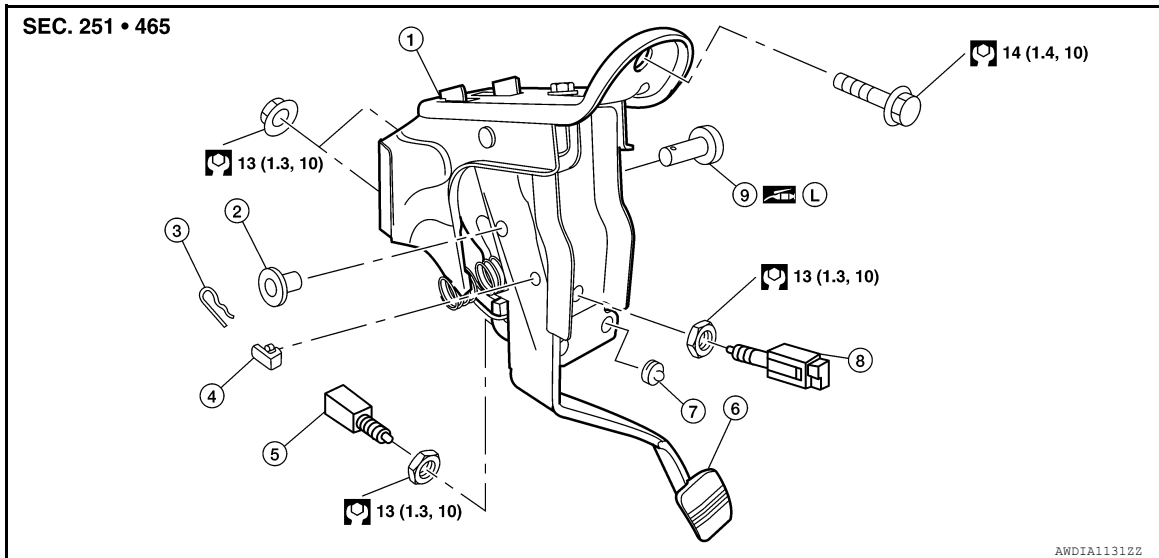
< REMOVAL AND INSTALLATION >

REMOVAL AND INSTALLATION

CLUTCH PEDAL

Exploded View

INFOID:000000010709808



- | | | |
|-------------------------|---|-----------------|
| 1. Bracket | 2. Bushing | 3. Snap pin |
| 4. Pedal stopper rubber | 5. Clutch interlock switch (if equipped) | 6. Clutch pedal |
| 7. Stopper rubber | 8. Clutch pedal position switch (if equipped) | 9. Clevis pin |
- L. Apply wheel bearing grease

Removal and Installation

INFOID:000000010709809

REMOVAL

1. Remove the clutch pedal bracket nuts from inside the engine compartment.
2. Disconnect the clutch interlock switch (if equipped) and clutch pedal position switch (if equipped), then remove the harness from the pedal assembly.
3. Remove the snap pin and clevis pin.
4. Remove the pedal bracket bolt and then remove the clutch pedal assembly.

INSTALLATION

Installation is in the reverse order of removal.

NOTE:

Tighten the clutch pedal position switch lock nut to the specified torque after installing the clutch pedal assembly in the vehicle and adjusting the pedal free play.

Inspection

INFOID:000000010709810

INSPECTION AFTER REMOVAL

- Inspect the clutch pedal for bends, damage, or cracked welds. Replace if necessary.
- Make sure that the assist spring and return spring have not lost their tension. Replace if necessary.

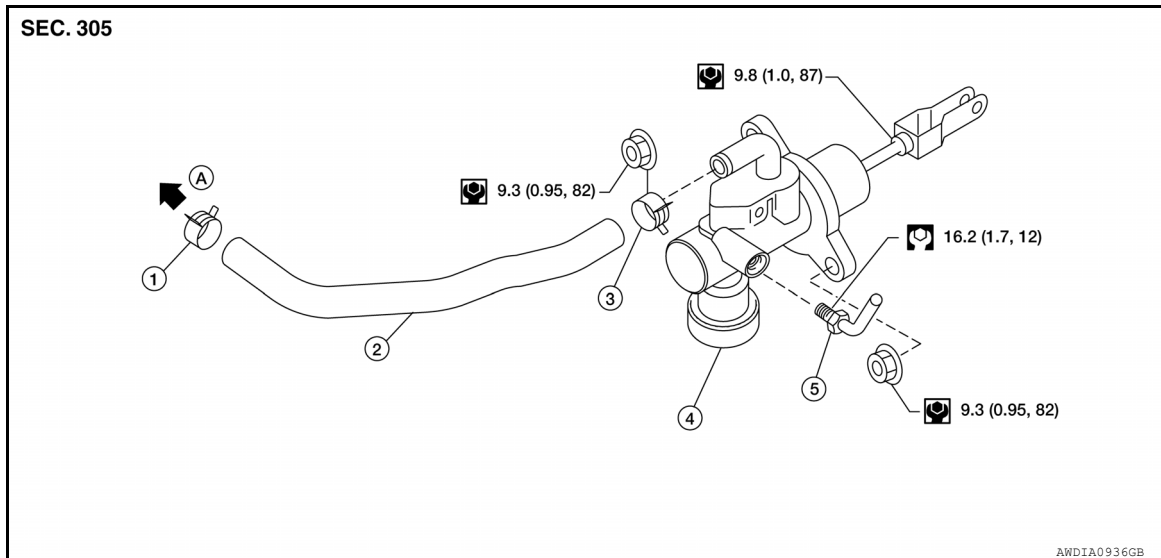
CLUTCH MASTER CYLINDER

< REMOVAL AND INSTALLATION >

CLUTCH MASTER CYLINDER

Exploded View

INFOID:000000010709811



- | | | |
|------------------|-------------------|----------------------|
| 1. Clamp | 2. Reservoir hose | 3. Clamp |
| 4. Cylinder body | 5. Clutch tube | A. To reservoir tank |

Removal and Installation

INFOID:000000010709812

CAUTION:

Do not spill brake fluid onto painted surfaces. If it spills, wipe up immediately and wash the affected area with water.

NOTE:

When removing components such as hoses, tubes/lines, etc., cap or plug openings to prevent fluid from spilling.

REMOVAL

1. Remove the snap pin and clevis pin from the clevis, and separate it from the clutch pedal.
2. Remove the hose clamp and hose from the clutch master cylinder.
3. Remove the clutch tube using suitable tool.
4. Remove the clutch master cylinder nuts, and remove the clutch master cylinder from the vehicle.

INSTALLATION

Installation is in the reverse order of removal.

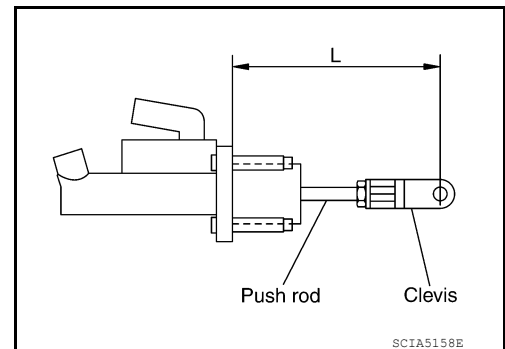
- Before installation, check the position of the clevis and push rod. If (L) is outside standard length, adjust the position of the clevis and push rod.

Length (L)

QR25DE : 119.5 mm (4.70 in)

VQ40DE : 120.5 mm (4.74 in)

- After installation, inspect and adjust the clutch pedal as necessary, then bleed the clutch hydraulic system. Refer to [CL-7. "On-Vehicle Inspection and Adjustment"](#) and [CL-8. "Bleeding"](#).



CLUTCH RESERVOIR

< REMOVAL AND INSTALLATION >

CLUTCH RESERVOIR

Removal and Installation

INFOID:000000010709813

For removal and installation of clutch reservoir, refer to [BR-29, "Removal and Installation"](#).

NOTE:

- Be sure to check clutch fluid after installation. Refer to [BR-19, "Drain and Refill"](#).
- Be sure to bleed clutch system after installation. Refer to [CL-8, "Bleeding"](#).

A

B

C

CL

E

F

G

H

I

J

K

L

M

N

O

P

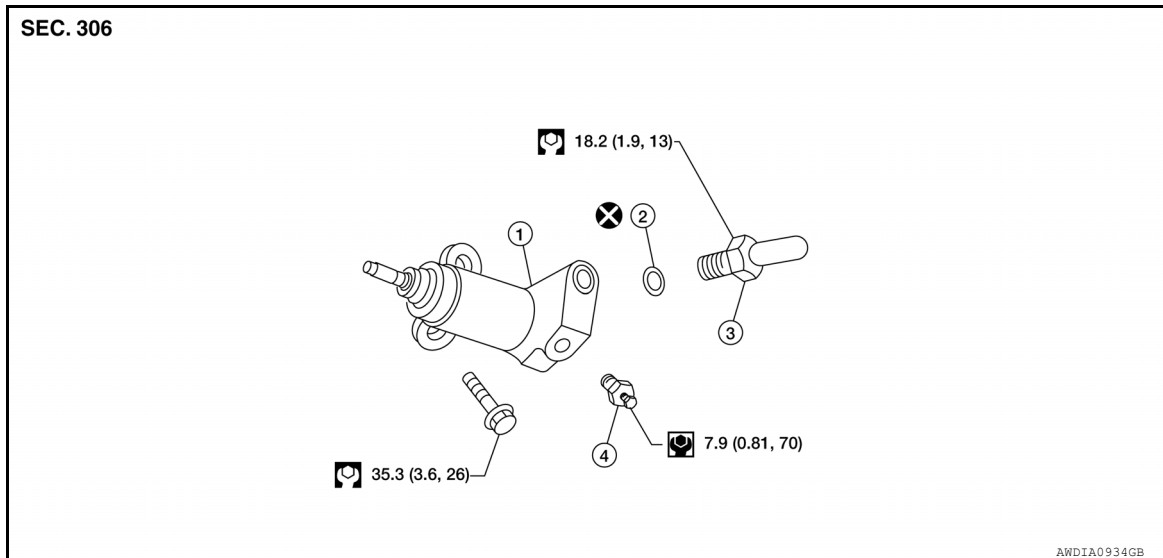
OPERATING CYLINDER

< REMOVAL AND INSTALLATION >

OPERATING CYLINDER

Exploded View

INFOID:000000010709814



1. Operating cylinder
2. Copper sealing washer
3. Clutch hose
4. Air bleeder

Removal and Installation

INFOID:000000010709815

CAUTION:

Do not spill brake fluid on painted surfaces. If it spills, wipe up immediately and wash the affected area with water.

NOTE:

When removing components such as hoses, tubes/lines, etc., cap or plug openings to prevent fluid from spilling.

REMOVAL

1. Remove the clutch hose and copper sealing washer from the operating cylinder.

CAUTION:

Do not reuse copper sealing washer.

2. Remove the operating cylinder bolts, and remove the operating cylinder from the vehicle.

INSTALLATION

Installation is in the reverse order of removal.

- Tighten the clutch hose fitting to the specified torque.

CAUTION:

- **Make sure the clutch hose is not bent or twisted.**
- **Do not reuse copper sealing washer.**
- After installation, bleed the clutch hydraulic system. Refer to [CL-8. "Bleeding"](#).

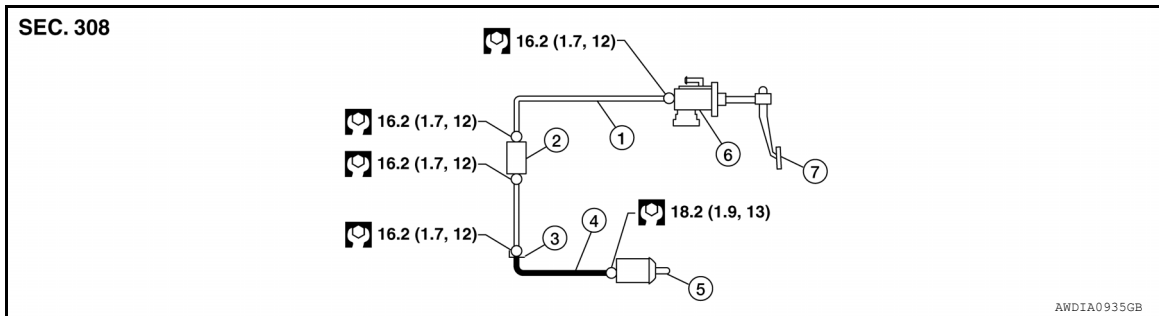
CLUTCH PIPING

< REMOVAL AND INSTALLATION >

CLUTCH PIPING

Exploded View

INFOID:000000010709816



- | | | |
|-----------------|-----------------------|--------------------|
| 1. Clutch tube | 2. Clutch orifice | 3. Lock plate |
| 4. Clutch hose | 5. Operating Cylinder | 6. Master cylinder |
| 7. Clutch pedal | | |

Removal and Installation

INFOID:000000010709817

Carefully observe the following during clutch tube removal and installation.

CAUTION:

Do not spill brake fluid onto painted surfaces. If it spills, wipe up immediately and wash the affected area with water.

NOTE:

When removing components such as hoses, tubes/lines, etc., cap or plug openings to prevent fluid from spilling.

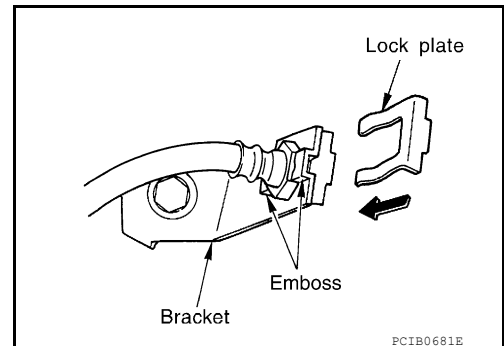
- When installing the clutch hose to the bracket, align the clutch hose metal fittings with the bracket positioning emboss, then install the lock plate to secure.

CAUTION:

- Do not damage the clutch hose.
- Make sure the clutch hose is not bent or twisted.
- Tighten the clutch tube and hose fittings to the specified torque.

CAUTION:

- Do not reuse copper sealing washer.
- Do not damage the clutch tube fittings or clutch tube.
- After installation, bleed the air from the clutch hydraulic system. Refer to [CL-8, "Bleeding"](#).



CLUTCH RELEASE MECHANISM

< UNIT REMOVAL AND INSTALLATION >

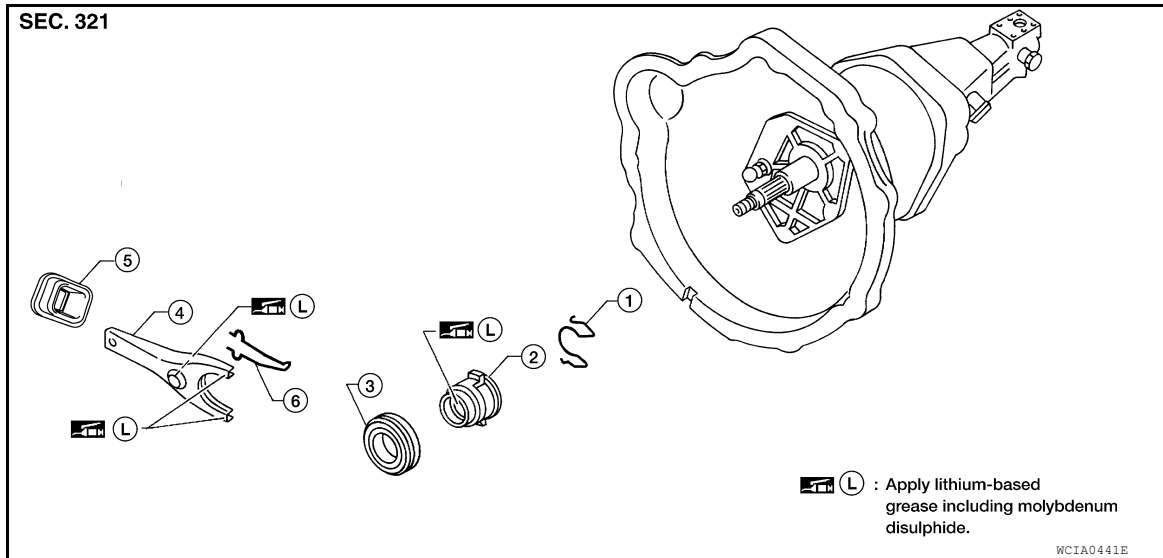
UNIT REMOVAL AND INSTALLATION

CLUTCH RELEASE MECHANISM

5M/T

5M/T : Exploded View

INFOID:000000010709818



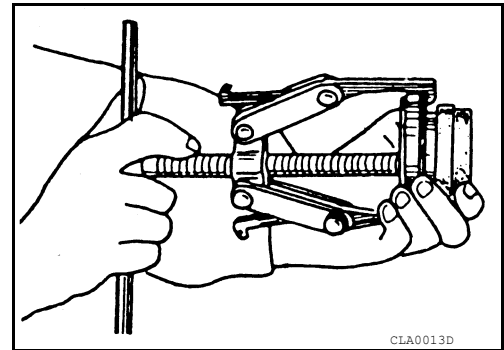
- | | | |
|---------------------|---------------------------|--------------------|
| 1. Holder spring | 2. Release bearing sleeve | 3. Release bearing |
| 4. Withdrawal lever | 5. Dust cover | 6. Retainer spring |

5M/T : Removal and Installation

INFOID:000000010709819

REMOVAL

1. Remove the manual transmission from the vehicle. Refer to [TM-21, "Removal and Installation from Vehicle"](#).
2. Remove the release bearing sleeve assembly, holder spring, and withdrawal lever from inside the clutch housing.
3. Remove the dust cover.
4. Remove the retainer spring from the withdrawal lever.
5. Remove the release bearing from release bearing sleeve using suitable tool.



INSTALLATION

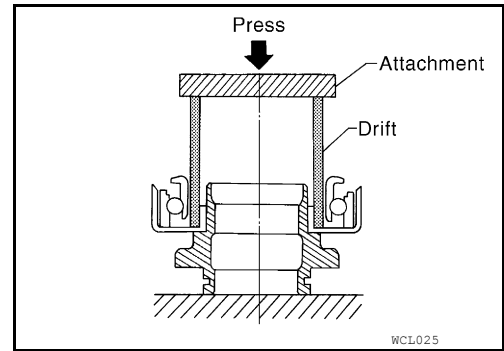
Installation is in the reverse order of removal.

NOTE:

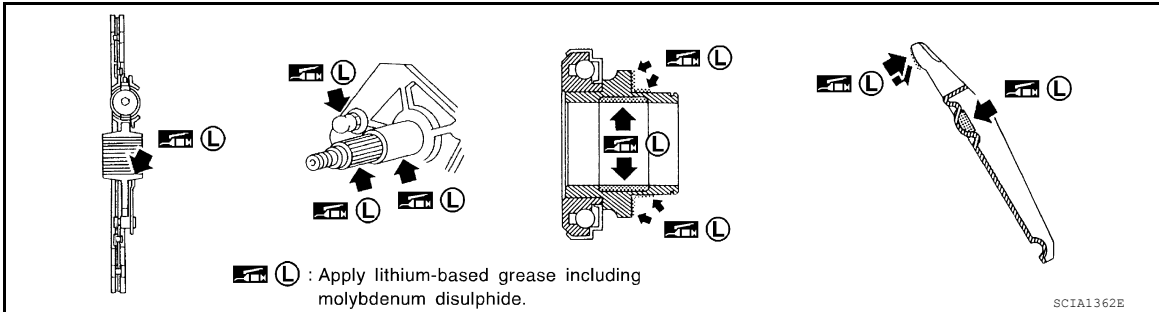
CLUTCH RELEASE MECHANISM

< UNIT REMOVAL AND INSTALLATION >

- Install the release bearing to release bearing sleeve using suitable tool, as shown.



- Clean old grease and abrasive materials off the grease application areas.
- Apply grease to the specified points as shown.



- Apply approximately 1 mm (0.04 in) thick coat of clutch sleeve grease to withdrawal lever and holder spring frictional surfaces.
- Apply a coat of clutch sleeve grease to ball pin contact surface of the withdrawal lever and inner slots of the release bearing. The grease surface should be level with the surrounding area.
- Apply a thin coat of clutch sleeve grease to the release bearing frictional surface. After grease application, install release bearing. Wipe off excess grease forced out during bearing installation.

CAUTION:

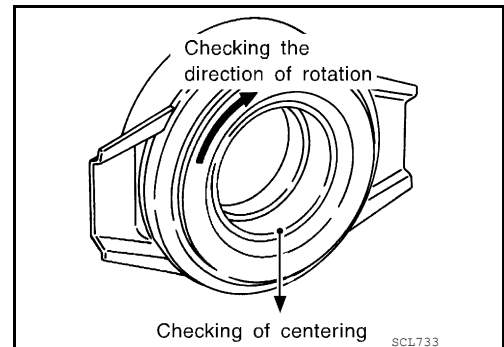
- Be careful not to bring any grease into contact with the clutch disc facing, pressure plate surface, or flywheel surface.
- Before installing manual transmission to the vehicle, check that each sliding surface slides smoothly by operating withdrawal lever.

5M/T : Inspection

INFOID:000000010709820

INSPECTION AFTER REMOVAL

- Replace the release bearing if it is seized, damaged, faulty in rotation direction, or has poor aligning function.
- Replace the withdrawal lever if its contact surface is worn abnormally.
- Replace the dust seal if it is deformed or cracked.



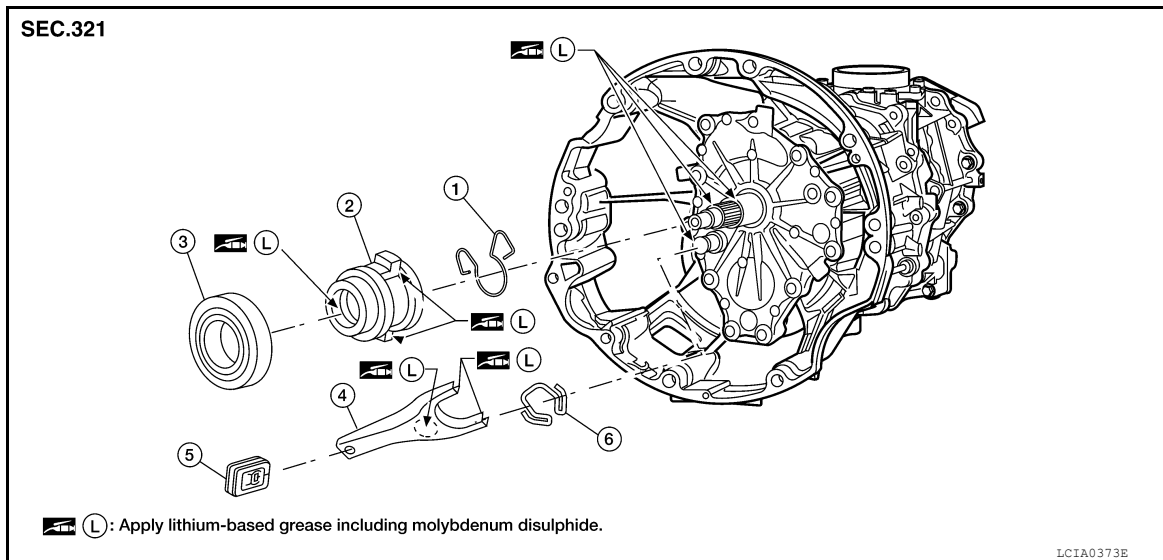
6M/T

CLUTCH RELEASE MECHANISM

< UNIT REMOVAL AND INSTALLATION >

6M/T : Exploded View

INFOID:000000010709821



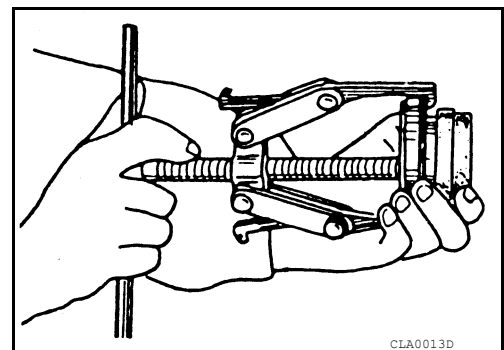
- | | | |
|---------------------|---------------------------|--------------------|
| 1. Holder spring | 2. Release bearing sleeve | 3. Release bearing |
| 4. Withdrawal lever | 5. Dust cover | 6. Snap spring |

6M/T : Removal and Installation

INFOID:000000010709822

REMOVAL

1. Remove the manual transmission from the vehicle. Refer to [TM-72, "Removal and Installation from Vehicle \(For 2WD Models\)"](#) (2WD) or [TM-74, "Removal and Installation from Vehicle \(For 4WD Models\)"](#) (4WD).
2. Remove the release bearing sleeve assembly, holder spring, and withdrawal lever from inside the clutch housing.
3. Remove the dust cover.
4. Remove the snap spring from the withdrawal lever.
5. Remove the release bearing from release bearing sleeve using suitable tool.



INSTALLATION

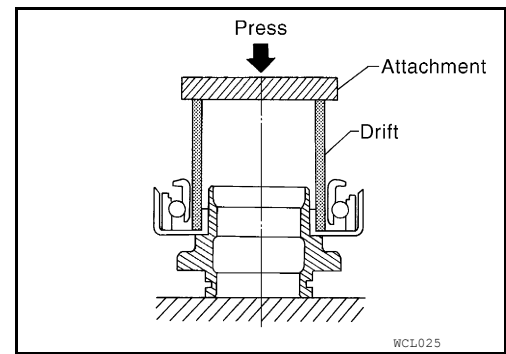
Installation is in the reverse order of removal.

NOTE:

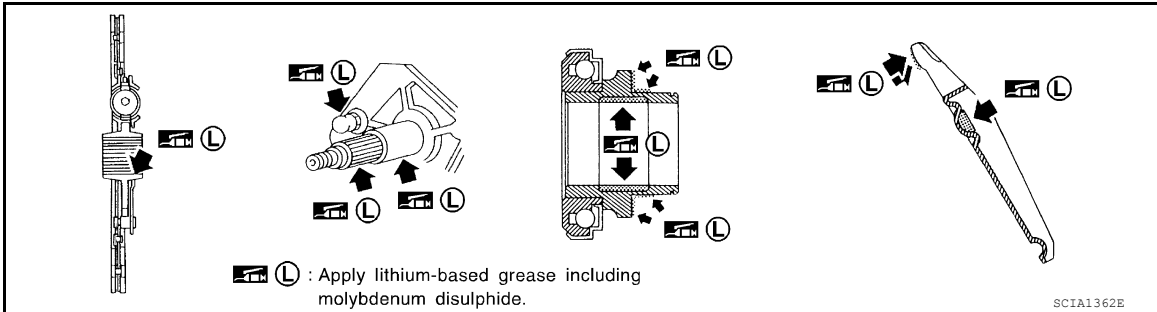
CLUTCH RELEASE MECHANISM

< UNIT REMOVAL AND INSTALLATION >

- Install the release bearing to release bearing sleeve using suitable tool, as shown.



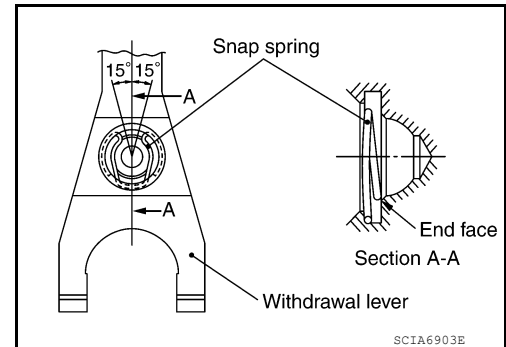
- Clean old grease and abrasive materials off the grease application areas.
- Apply grease to the specified points as shown.



- Apply approximately 1 mm (0.04 in) thick coat of clutch sleeve grease to withdrawal lever and holder spring frictional surfaces.
- Apply a coat of clutch sleeve grease to ball pin contact surface of the withdrawal lever and inner slots of the release bearing. The grease surface should be level with the surrounding area.
- Apply a thin coat of clutch sleeve grease to the release bearing frictional surface. After grease application, install release bearing. Wipe off excess grease forced out during bearing installation.

CAUTION:

- Before installing the manual transmission to the vehicle, check that each sliding surface slides smoothly by operating withdrawal lever.
- Be careful not to bring any grease into contact with the clutch disc facing, pressure plate surface, or flywheel surface.
- When assembling, make sure that both ends of the snap spring touch the end face of the withdrawal lever.
- Be careful with the orientation of the installation.



6M/T : Inspection

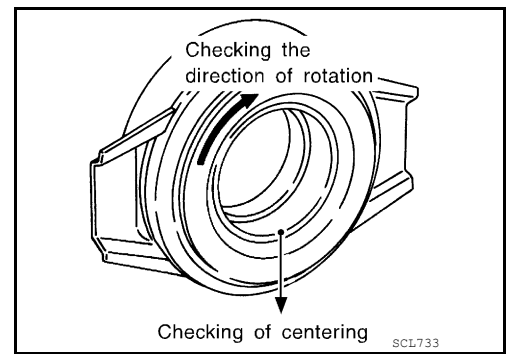
INFOID:000000010709823

INSPECTION AFTER REMOVAL

CLUTCH RELEASE MECHANISM

< UNIT REMOVAL AND INSTALLATION >

- Replace the release bearing if it is seized, damaged, faulty in rotation direction, or has poor aligning function.
- Replace the withdrawal lever if its contact surface is worn abnormally.
- Replace the dust seal if it is deformed or cracked.



CLUTCH DISC, CLUTCH COVER

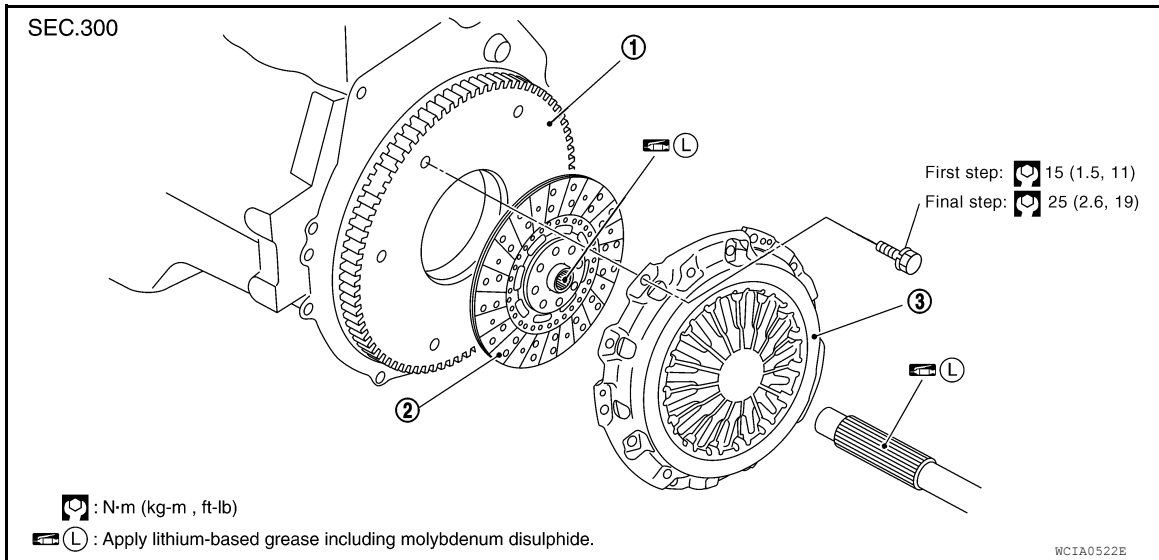
< UNIT REMOVAL AND INSTALLATION >

CLUTCH DISC, CLUTCH COVER

5M/T

5M/T : Exploded View

INFOID:000000010709824



1. Flywheel

2. Clutch disc

3. Clutch cover

5M/T : Removal and Installation

INFOID:000000010709825

CAUTION:

- Do not clean the clutch disc with solvent.
- When installing, do not get grease from the main drive shaft onto the clutch disc friction surface.

REMOVAL

1. Remove the manual transmission from the vehicle. Refer to [TM-21, "Removal and Installation from Vehicle"](#).
2. Remove the clutch cover bolts using power tool. Remove the clutch cover and clutch disc.

INSTALLATION

1. Apply recommended grease to clutch disc and main drive shaft spline.

CAUTION:

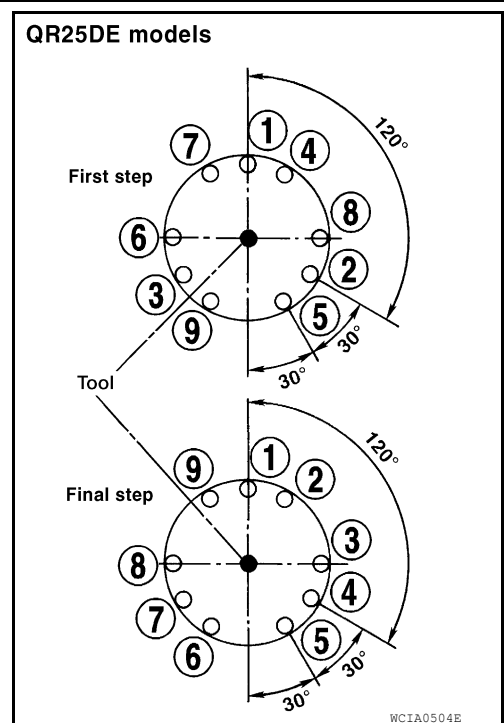
Do not allow grease to contaminate the clutch facing.

CLUTCH DISC, CLUTCH COVER

< UNIT REMOVAL AND INSTALLATION >

- Install clutch disc and clutch cover. Pre-tighten the bolts and install Tool. Then tighten the clutch cover bolts evenly in two steps to the specified torque in the order shown. Refer to [CL-19, "5M/T : Exploded View"](#).

Tool number : ST20630000 (J-26366)



- Install the manual transmission. Refer to [TM-21, "Removal and Installation from Vehicle"](#).

5M/T : Inspection after Removal

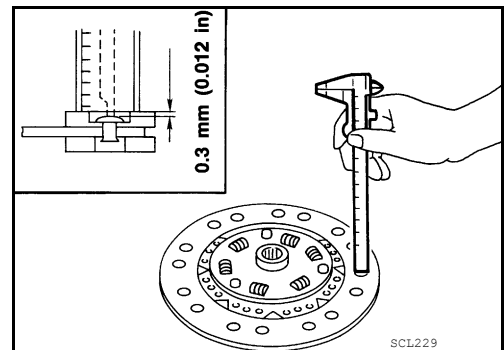
INFOID:000000010709826

INSPECTION AFTER REMOVAL

Clutch Disc

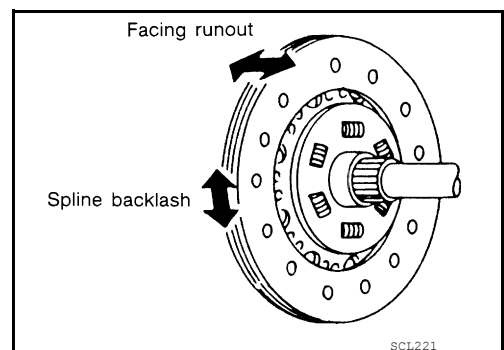
- Check the wear of the clutch disc facing.

Clutch disc facing wear : Refer to [CL-25, "Clutch Disc"](#).



- Check the runout and backlash of the clutch disc. If the measurement exceeds the specification, replace the clutch disc.

Runout and backlash : Refer to [CL-25, "Clutch Disc"](#).



Clutch Cover

- Check clutch cover thrust ring for wear or damage. If wear or damage is found, replace clutch cover assembly.

NOTE:

- Worn thrust ring will generate a beating noise when tapped at the rivet with a hammer.

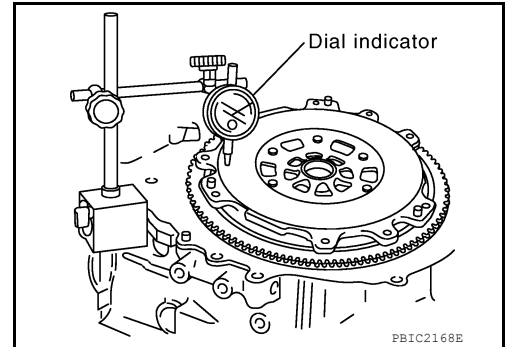
CLUTCH DISC, CLUTCH COVER

< UNIT REMOVAL AND INSTALLATION >

- Broken thrust ring will make a clinking sound when cover is shaken up and down.
- If a trace of burn or discoloration is found on the clutch cover pressure plate to clutch disc contact surface, repair the surface with emery paper. If surface is damaged or distorted, replace the assembly.

Flywheel

- Check contact surface of flywheel for slight burns or discoloration. If any are found, repair flywheel with emery paper.
- Check the flywheel runout. Refer to [EM-91. "Inspection After Dis-assembly"](#).



5M/T : Adjustment after Installation

INFOID:000000010709827

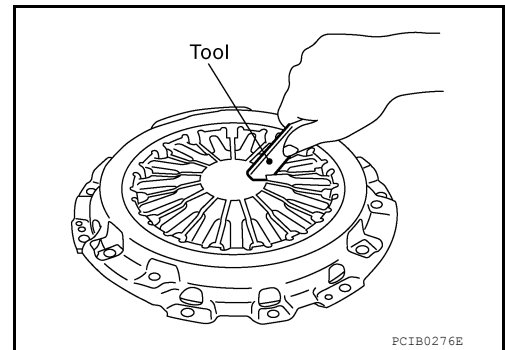
ADJUSTMENT AFTER INSTALLATION

Clutch Cover

With the clutch cover installed on the vehicle, check the diaphragm spring toe height for unevenness. If unevenness exceeds the limit, adjust the diaphragm spring toe height using Tool.

Uneven limit of diaphragm spring toe height : Refer to [CL-25. "Clutch Cover"](#).

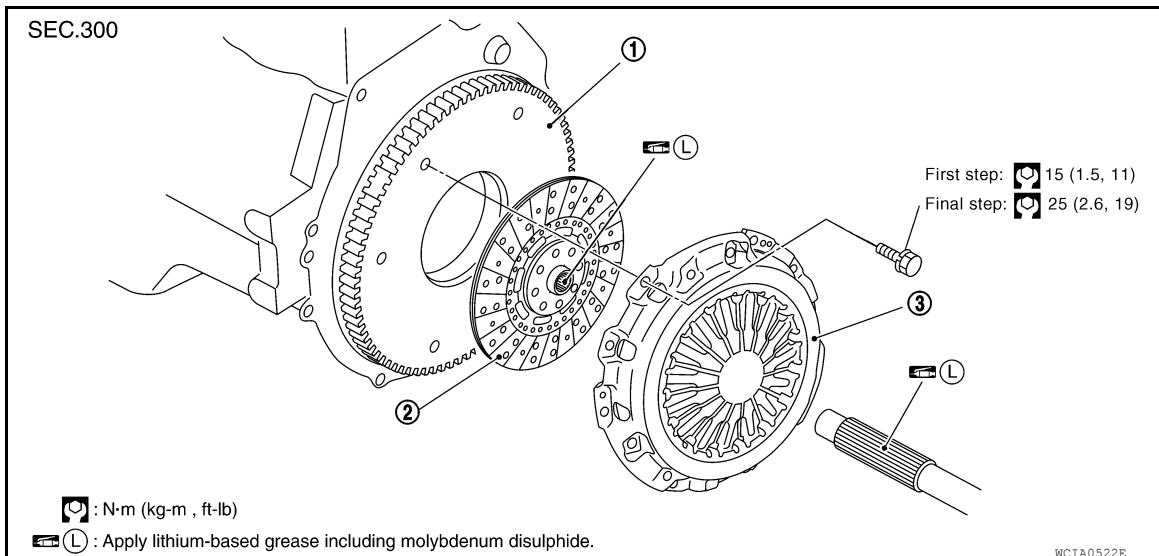
Tool number : ST20050240 (—)



6M/T

6M/T : Exploded View

INFOID:000000010709828



1. Flywheel

2. Clutch disc

3. Clutch cover

CLUTCH DISC, CLUTCH COVER

< UNIT REMOVAL AND INSTALLATION >

6M/T : Removal and Installation

INFOID:000000010709829

CAUTION:

- Do not clean the clutch disc with solvent.
- When installing, do not get grease from the main drive shaft onto the clutch disc friction surface.
- If the flywheel is removed, align the dowel pin with the smallest hole of flywheel. Refer to [EM-220, "Disassembly and Assembly"](#).

REMOVAL

1. Remove the manual transmission from the vehicle. Refer to [TM-72, "Removal and Installation from Vehicle \(For 2WD Models\)"](#) (2WD) or [TM-74, "Removal and Installation from Vehicle \(For 4WD Models\)"](#) (4WD).
2. Remove the clutch cover bolts using power tool. Remove the clutch cover and clutch disc.

INSTALLATION

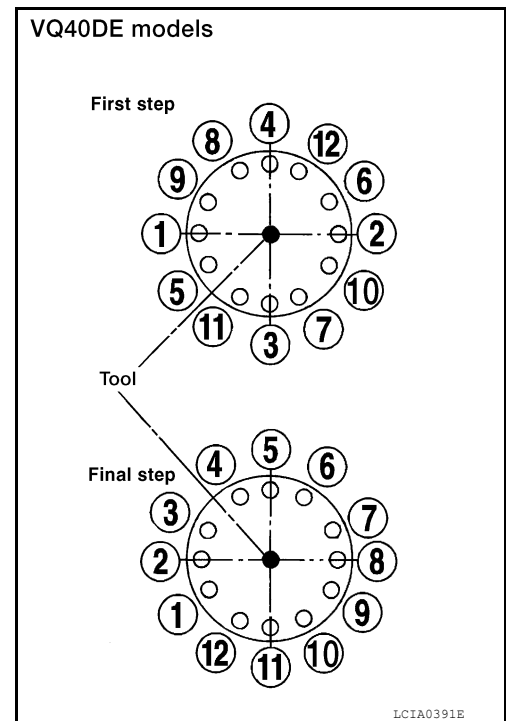
1. Apply recommended grease to clutch disc and main drive shaft spline.

CAUTION:

Do not allow grease to contaminate the clutch facing.

2. Install clutch disc and clutch cover. Pre-tighten the bolts and install Tool. Then tighten the clutch cover bolts evenly in two steps to the specified torque in the order shown. Refer to [CL-21, "6M/T : Exploded View"](#).

Tool number : ST20630000 (J-26366)



3. Install the manual transmission. Refer to [TM-72, "Removal and Installation from Vehicle \(For 2WD Models\)"](#) (2WD) or [TM-74, "Removal and Installation from Vehicle \(For 4WD Models\)"](#) (4WD).

6M/T : Inspection after Removal

INFOID:000000010709830

INSPECTION AFTER REMOVAL

Clutch Disc

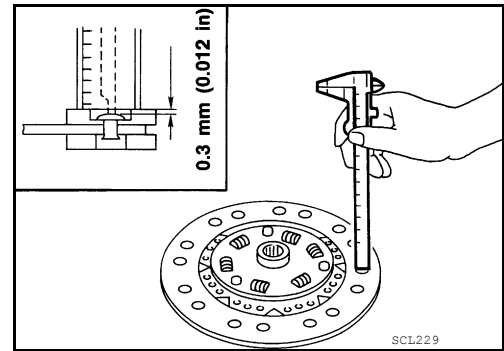
CLUTCH DISC, CLUTCH COVER

< UNIT REMOVAL AND INSTALLATION >

- Check the wear of the clutch disc facing.

Clutch disc facing wear

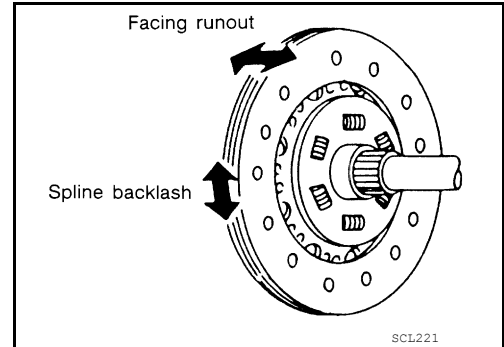
: Refer to [CL-25, "Clutch Disc"](#).



- Check the runout and backlash of the clutch disc. If the measurement exceeds the specification, replace the clutch disc.

Runout and backlash

: Refer to [CL-25, "Clutch Disc"](#).



Clutch Cover

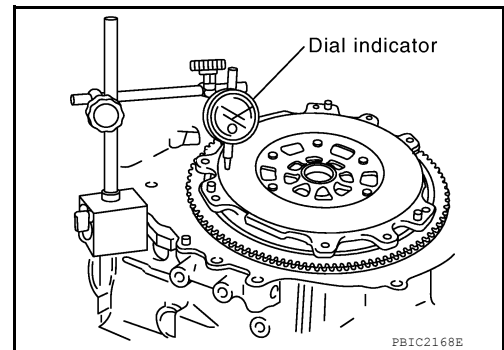
- Check clutch cover thrust ring for wear or damage. If wear or damage is found, replace clutch cover assembly.

NOTE:

- Worn thrust ring will generate a beating noise when tapped at the rivet with a hammer.
- Broken thrust ring will make a clinking sound when cover is shaken up and down.
- If a trace of burn or discoloration is found on the clutch cover pressure plate to clutch disc contact surface, repair the surface with emery paper. If surface is damaged or distorted, replace the assembly.

Flywheel

- Check contact surface of flywheel for slight burns or discoloration. If any are found, repair flywheel with emery paper.
- Check the flywheel runout. Refer to [EM-230, "Inspection After Disassembly"](#).



INFOID:000000010709831

6M/T : Adjustment after Installation

ADJUSTMENT AFTER INSTALLATION

A
B
C
CL
E
F
G
H
I
J
K
L
M
N
O
P

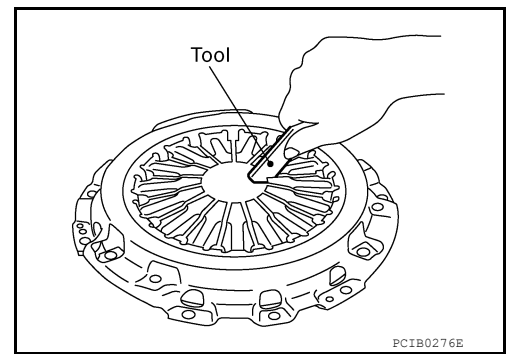
CLUTCH DISC, CLUTCH COVER

< UNIT REMOVAL AND INSTALLATION >

With the clutch cover installed on the vehicle, check the diaphragm spring toe height for unevenness. If unevenness exceeds the limit, adjust the diaphragm spring toe height using Tool.

Uneven limit of diaphragm spring toe height : Refer to [CL-25, "Clutch Cover"](#).

Tool number : ST20050240 (—)



SERVICE DATA AND SPECIFICATIONS (SDS)

< SERVICE DATA AND SPECIFICATIONS (SDS)

SERVICE DATA AND SPECIFICATIONS (SDS)

SERVICE DATA AND SPECIFICATIONS (SDS)

Clutch Control System

INFOID:0000000010709832

Type of clutch control	Hydraulic
------------------------	-----------

Clutch Master Cylinder

INFOID:0000000010709833

Unit: mm (in)

Inner diameter	15.87 (5/8)
----------------	-------------

Clutch Operating Cylinder

INFOID:0000000010709834

Unit: mm (in)

Inner diameter	19.05 (3/4)
----------------	-------------

Clutch Disc

INFOID:0000000010709835

Unit: mm (in)

Engine model	QR25DE	VQ40DE
Model	240	260
Transmission Model	5 M/T	6 M/T
Facing size (Outer dia. × inner dia. × thickness)	240 × 160 × 3.5 (9.45 × 6.30 × 0.138)	260 × 190 × 3.2 (10.24 × 7.48 × 0.126)
Wear limit (depth to rivet head)	0.3 (0.012)	
Runout limit/diameter of the area to be measured	0.7 (0.028) or less/230 (9.06) dia.	1.0 (0.039) or less/250 (9.84) dia.
Maximum backlash of spline (at outer disc edge)	1.0 (0.039)	

Clutch Cover

INFOID:0000000010709836

Unit: mm (in)

Engine model	QR25DE	VQ40DE
Transmission Model	5 M/T	6 M/T
Set-load	5890 N (600 kg, 1324 lb)	8340 N (850 kg, 1875 lb)
Diaphragm spring lever height	37.0 - 39.0 (1.457 - 1.535)	44.0 - 46.0 (1.732 - 1.811)
Uneven limit of diaphragm spring toe height	0.7 (0.028)	

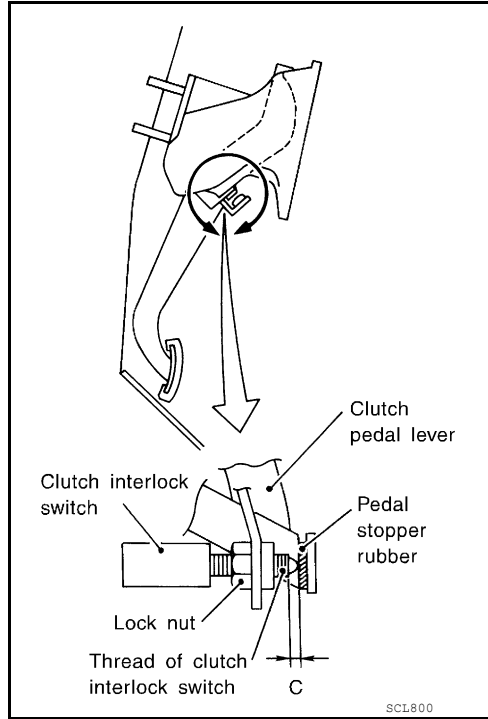
SERVICE DATA AND SPECIFICATIONS (SDS)

< SERVICE DATA AND SPECIFICATIONS (SDS)

Clutch Pedal

INFOID:000000010709837

Unit: mm (in)



Clearance (C) between pedal stopper rubber and clutch interlock switch threaded end while clutch pedal is fully depressed.

0.1 - 1.0 (0.004 - 0.039)