

SECTION **ST**
STEERING SYSTEM

A
 B
 C
 D
 E
 F
ST
 H
 I
 J
 K
 L
 M
 N
 O
 P

CONTENTS

PRECAUTION	2	STEERING COLUMN	12
PRECAUTIONS	2	Removal and Installation	12
Precaution for Supplemental Restraint System (SRS) "AIR BAG" and "SEAT BELT PRE-TENSIONER"	2	POWER STEERING GEAR AND LINKAGE	15
Precaution for Steering System	2	Removal and Installation	15
PREPARATION	3	POWER STEERING OIL PUMP	18
PREPARATION	3	Component	18
Special Service Tool	3	Removal and Installation	19
Commercial Service Tool	4	HYDRAULIC LINE	21
SYMPTOM DIAGNOSIS	5	Removal and Installation	21
NOISE, VIBRATION AND HARSHNESS (NVH) TROUBLESHOOTING	5	UNIT DISASSEMBLY AND ASSEMBLY ...	23
NVH Troubleshooting Chart	5	STEERING COLUMN	23
PERIODIC MAINTENANCE	6	Disassembly and Assembly	23
POWER STEERING FLUID	6	POWER STEERING OIL PUMP	25
Checking Fluid Level	6	Component	25
Checking Fluid Leakage	6	Disassembly and Assembly	26
Air Bleeding Hydraulic System	6	STEERING GEAR AND LINKAGE	28
POWER STEERING OIL PUMP	8	Disassembly and Assembly	28
On-Vehicle Inspection and Service	8	SERVICE DATA AND SPECIFICATIONS (SDS)	31
STEERING WHEEL	9	SERVICE DATA AND SPECIFICATIONS (SDS)	31
On-Vehicle Inspection and Service	9	Steering Wheel	31
REMOVAL AND INSTALLATION	11	Steering Column	31
STEERING WHEEL	11	Steering Gear	31
Removal and Installation	11	Tie-rod	32
		Oil Pump	32
		Steering Fluid	32

PRECAUTIONS

< PRECAUTION >

PRECAUTION

PRECAUTIONS

Precaution for Supplemental Restraint System (SRS) "AIR BAG" and "SEAT BELT PRE-TENSIONER"

INFOID:000000010711229

The Supplemental Restraint System such as "AIR BAG" and "SEAT BELT PRE-TENSIONER", used along with a front seat belt, helps to reduce the risk or severity of injury to the driver and front passenger for certain types of collision. This system includes seat belt switch inputs and dual stage front air bag modules. The SRS system uses the seat belt switches to determine the front air bag deployment, and may only deploy one front air bag, depending on the severity of a collision and whether the front occupants are belted or unbelted. Information necessary to service the system safely is included in the SR and SB section of this Service Manual.

WARNING:

- **To avoid rendering the SRS inoperative, which could increase the risk of personal injury or death in the event of a collision which would result in air bag inflation, all maintenance must be performed by an authorized NISSAN/INFINITI dealer.**
- **Improper maintenance, including incorrect removal and installation of the SRS, can lead to personal injury caused by unintentional activation of the system. For removal of Spiral Cable and Air Bag Module, see the SR section.**
- **Do not use electrical test equipment on any circuit related to the SRS unless instructed to in this Service Manual. SRS wiring harnesses can be identified by yellow and/or orange harnesses or harness connectors.**

PRECAUTIONS WHEN USING POWER TOOLS (AIR OR ELECTRIC) AND HAMMERS

WARNING:

- **When working near the Airbag Diagnosis Sensor Unit or other Airbag System sensors with the Ignition ON or engine running, DO NOT use air or electric power tools or strike near the sensor(s) with a hammer. Heavy vibration could activate the sensor(s) and deploy the air bag(s), possibly causing serious injury.**
- **When using air or electric power tools or hammers, always switch the Ignition OFF, disconnect the battery and wait at least three minutes before performing any service.**

Precaution for Steering System

INFOID:000000010711230

- Before disassembly, thoroughly clean the outside of the unit.
- Disassembly should be done in a clean work area. It is important to prevent the internal parts from becoming contaminated by dirt or other foreign matter.
- For easier and proper assembly, place disassembled parts in order on a parts rack.
- Use nylon cloth or paper towels to clean the parts; common shop rags can leave lint that might interfere with their operation.
- Before inspection or reassembly, carefully clean all parts with a general purpose, non-flammable solvent.
- Before assembly, apply a coat of recommended Genuine NISSAN PSF or equivalent to hydraulic parts. Petroleum jelly may be applied to O-rings and seals. Do not use any grease.
- Replace all gaskets, seals and O-rings. Avoid damaging O-rings, seals and gaskets during installation. Perform functional tests whenever designated.

PREPARATION

< PREPARATION >

PREPARATION

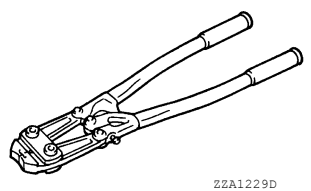
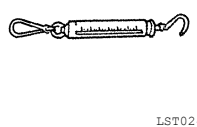
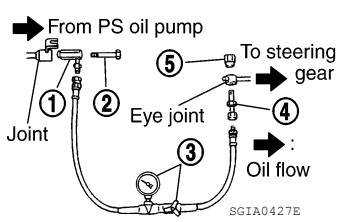
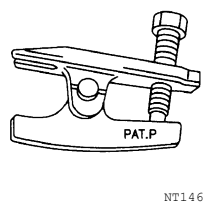
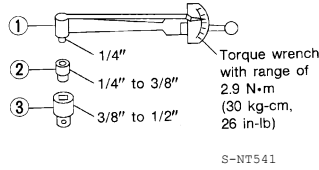
PREPARATION

Special Service Tool

INFOID:000000010711231

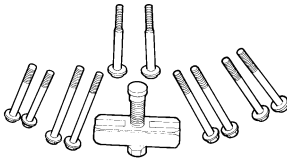
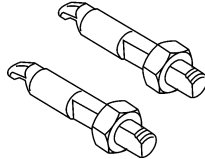
The actual shape of the tools may differ from those illustrated here.

Tool number (TechMate No.) Tool name	Description
ST3127 S000 (J-25765-A) Preload gauge 1. GG9103000 (J-25765-A) Torque wrench 2. HT62940000 (—) Socket adapter 3. HT62900000 (—) Socket adapter	Inspecting of pinion rotating torque and rotational torque for ball joint
HT72520000 (J-25730-A) Ball joint remover	Removing steering outer socket
1. KV48105300-4 and 5295262U10 (—) Connector A and O-ring 2. KV48105300-3 and 5295262U00 (—) Eye-bolt and O-ring 3. KV48103500 (J-26357 and J-26357-10) Pressure gauge and shut-off valve 4. KV48105300-1 and 5295262U00 (—) Connector B and O-ring 5. KV48105300-2 (—) Nut	Measuring oil pump relief pressure
— (J-44372) Spring gauge	Measuring steering wheel turning force
KV40107300 (—) Boot band crimping tool	Crimping boot bands




PREPARATION

< PREPARATION >

Tool number (TechMate No.) Tool name	Description
KV481J0010 (J-1859A) Steering wheel puller  LHA0043E	Removing steering wheel
KV481J0020 (J-42578) Steering wheel puller legs  LHA0044E	Removing steering wheel

Commercial Service Tool

INFOID:000000010711232

Tool name	Description
Power tool  PIIB1407E	Loosening nuts, screws and bolts

NOISE, VIBRATION AND HARSHNESS (NVH) TROUBLESHOOTING

< SYMPTOM DIAGNOSIS >

SYMPTOM DIAGNOSIS

NOISE, VIBRATION AND HARSHNESS (NVH) TROUBLESHOOTING

NVH Troubleshooting Chart

INFOID:000000010711233

Use chart below to help you find the cause of the symptom. If necessary, repair or replace these parts.

Symptom	Possible cause and suspected parts	Reference page	
		SI-6	SI-9
Noise	Fluid level	SI-6	SI-9
	Air in hydraulic system	SI-6	SI-9
	Outer socket ball joint swinging force	SI-28	SI-9
	Outer socket ball joint rotating torque	SI-28	SI-9
	Outer socket ball joint end play	SI-28	SI-9
	Steering fluid leakage	SI-6	SI-9
	Steering wheel play	SI-9	SI-9
	Steering gear rack sliding force	SI-9	SI-9
	Drive belt looseness	EM-14, "Checking Drive Belts." (QR25DE), EM-129, "Checking Drive Belts." (VQ40DE)	SI-9
	Improper steering wheel	SI-9	SI-9
	Improper installation or looseness of tilt lock lever	SI-12	SI-9
	Insulator deterioration	SI-15	SI-9
	Steering column deformation or damage	SI-12	SI-9
	Improper installation or looseness of steering column	SI-12	SI-9
	Steering linkage looseness	SI-15	SI-9
	PROPELLER SHAFT	DLN-132, "NVH Troubleshooting Chart"	SI-9
	DIFFERENTIAL	DLN-184, "NVH Troubleshooting Chart"	SI-9
	AXLE	FAX-4, "NVH Troubleshooting Chart"	SI-9
	SUSPENSION	FSU-5, "NVH Troubleshooting Chart"	SI-9
	TIRES	WT-44, "NVH Troubleshooting Chart"	SI-9
	ROAD WHEEL	WT-44, "NVH Troubleshooting Chart"	SI-9
	DRIVE SHAFT	FAX-4, "NVH Troubleshooting Chart"	SI-9
	BRAKES	BR-6, "NVH Troubleshooting Chart"	SI-9

x: Applicable

A
B
C
D
E
F
ST
H
I
J
K
L
M
N
O
P

POWER STEERING FLUID

< PERIODIC MAINTENANCE >

PERIODIC MAINTENANCE

POWER STEERING FLUID

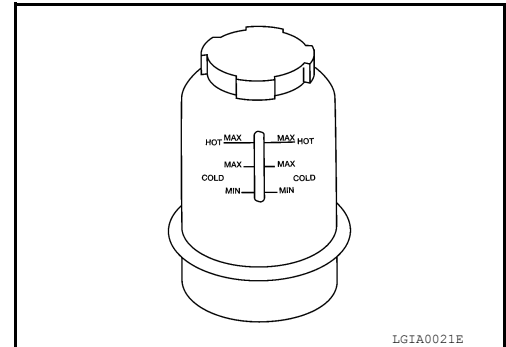
Checking Fluid Level

INFOID:000000010711234

Check fluid level, referring to the scale on the reservoir tank.
Use HOT range for fluid temperatures of 50° – 80°C (122° – 176°F).
Use COLD range for fluid temperatures of 0° – 30°C (32° – 86°F).

CAUTION:

- Do not overfill.
- Do not reuse any power steering fluid.
- Recommended fluid is Genuine NISSAN PSF or equivalent. Refer to [MA-16, "FOR USA AND CANADA : Fluids and Lubricants"](#) (United States and Canada), [MA-19, "FOR MEXICO : Fluids and Lubricants"](#) (Mexico).



LGIA0021E

Checking Fluid Leakage

INFOID:000000010711235

Check the hydraulic piping lines for improper attachment, leaks, cracks, damage, loose connections, chafing and deterioration.

CAUTION:

Do not reuse copper sealing washers.

1. Run the engine until the fluid temperature reaches 50° – 80°C (122° – 176°F) in the reservoir tank. Keep engine speed idle.

CAUTION:

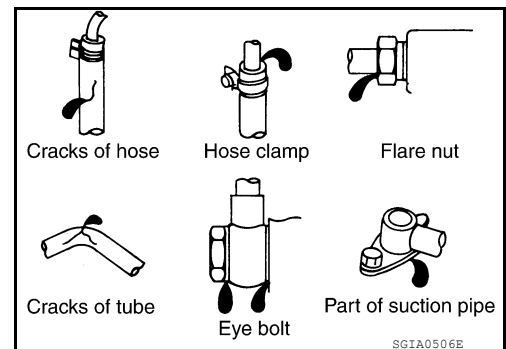
Do not allow steering fluid in the reservoir tank to go below the MIN level line. Check tank frequently and add fluid as needed.

2. Turn the steering wheel to the right and left several times.
3. Hold the steering wheel at each "locked" position for five seconds to check for fluid leakage.

CAUTION:

Do not hold steering wheel in the locked position for more than 10 seconds. (There is the possibility that the oil pump may be damaged.)

4. If fluid leakage at a connection is noticed, loosen the connection and then retighten. Do not over-tighten connector as this can damage O-ring, washer and connector. Refer to [ST-8](#) and [ST-21](#).
5. If fluid leakage from the oil pump is noticed, check the oil pump. Refer to [ST-8](#).
6. Check steering gear boots for accumulation of fluid, indicating a leak from the steering gear.



SGIA0506E

Air Bleeding Hydraulic System

INFOID:000000010711236

Incomplete air bleeding causes the following:

- Air bubbles in reservoir tank
- Clicking noise in oil pump
- Excessive buzzing in oil pump

When this happens bleed the air again.

1. With engine not started, turn steering wheel fully right to left several times. when fluid level is lowered, refill reservoir. Repeat process until fluid level is stabilized.
2. Start the engine and turn the steering wheel fully to the right and left several times.

CAUTION:

Do not allow steering fluid in the reservoir tank to go below the MIN level line. Check tank frequently and add fluid as needed.

NOTE:

When the vehicle is stationary or while the steering wheel is being turned slowly, some noise may be heard from the oil pump or gear. This noise is normal and does not affect any system.

3. Run the engine at idle speed. Hold the steering wheel at each "locked" position for three seconds and check for leakage.

POWER STEERING FLUID

< PERIODIC MAINTENANCE >

CAUTION:

Do not hold steering wheel in the locked position for more than 10 seconds. (There is the possibility that oil pump may be damaged.)

- 4. Repeat step 3 several times at about three second intervals. A
- 5. Check for air bubbles, cloudy fluid and fluid leakage. B
- 6. If air bubbles or cloudiness exists, perform steps 3 and 4 again until air bubbles and cloudiness do not exist.
- 7. Stop the engine and check fluid level. C

D

E

F

ST

H

I

J

K

L

M

N

O

P

POWER STEERING OIL PUMP

< PERIODIC MAINTENANCE >

POWER STEERING OIL PUMP

On-Vehicle Inspection and Service

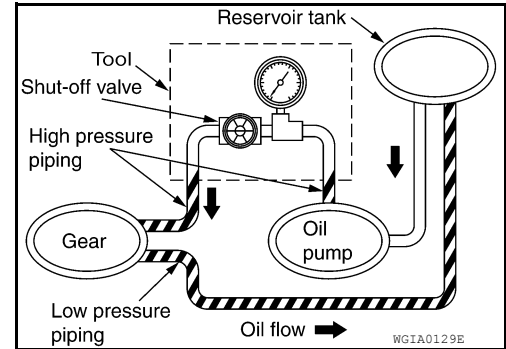
INFOID:000000010711237

CHECKING RELIEF OIL PRESSURE

CAUTION:

Before starting work, confirm that the belt tension is within specification. Refer to [EM-14, "Checking Drive Belts"](#) (QR25DE), [EM-129, "Checking Drive Belts"](#) (VQ40DE).

1. Connect the Tool between the power steering oil pump discharge connector and the high pressure hose, then bleed the air from the hydraulic circuit. Refer to [ST-6, "Air Bleeding Hydraulic System"](#).



Tool number:		
Pressure gauge and shut-off valve		KV48103500 (J-26357 and J-26357-10)
Oil pump side	Connector A and O-ring	KV48105300-4 and 5295262U10 (—)
	Eye-bolt and O-ring	KV48105300-3 and 5295262U00 (—)
High pressure piping side	Connector B and O-ring	KV48105300-1 and 5295262U00 (—)
	Nut	KV48105300-2 (—)

2. Start the engine. Run the engine until the power steering fluid temperature reaches 50° – 80°C (122° – 176°F).

CAUTION:

- Warm up the engine with the shut-off valve fully opened. If the engine is started with the shut-off valve closed, fluid pressure in the power steering oil pump increases to maximum pressure. This will raise fluid temperature excessively.
- Do not contact the belt with the hose while the engine is running.

3. With the engine at idle, close the shut-off valve and read the relief oil pressure.

Relief oil pressure Refer to [ST-32, "Oil Pump"](#)

CAUTION:

Do not close the shut-off valve of the pressure gauge for more than 10 seconds.

4. After measurement, open the shut-off valve slowly.
 - If relief oil pressure is outside the specification, replace the power steering oil pump. Refer to [ST-19, "Removal and Installation"](#).
5. After inspection, disconnect the oil pressure gauge and oil pressure gauge adapter from the hydraulic circuit, then connect the power steering oil pump discharge connector. Add fluid and bleed the air from the hydraulic circuit thoroughly. Refer to [ST-6, "Air Bleeding Hydraulic System"](#).

STEERING WHEEL

< PERIODIC MAINTENANCE >

STEERING WHEEL

On-Vehicle Inspection and Service

INFOID:000000010711238

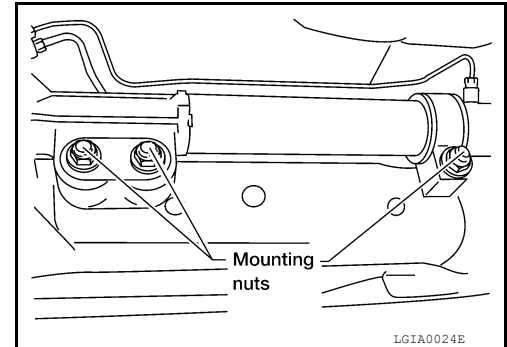
CHECKING CONDITION OF INSTALLATION

- Check the installation condition of the steering gear assembly, front suspension, axle and steering column.
- Check if movement exists when the steering wheel is pushed up and down, left and right and in the axial direction.

End play of the axle direction for steering wheel

Refer to [ST-31, "Steering Wheel"](#)

- Check if the nuts for the steering gear assembly are loose. Refer to [ST-15](#).



CHECKING STEERING WHEEL PLAY

1. Turn the tires straight ahead and start the engine. Lightly turn the steering wheel left and right to the point where the tires start moving, and measure the distance that the outer circumference of the steering wheel travels.

Steering wheel play on the outer circumference

Refer to [ST-31, "Steering Wheel"](#)

CHECKING NEUTRAL POSITION ON STEERING WHEEL

- Check the neutral position on the steering wheel after confirming the front wheel alignment is correct. Refer to [FSU-6, "Front Wheel Alignment"](#).
1. Turn the tires straight ahead, check if the steering wheel is in the neutral position.
 2. If it is not in the neutral position, remove the steering wheel and reinstall it correctly on the steering stem, within two teeth of the original position.
 3. If the neutral position cannot be attained by repositioning the steering wheel within two teeth on the steering stem, loosen the tie-rod lock nuts of the steering outer sockets, then adjust the tie-rods by the same amount in the opposite direction of the steering wheel.

CHECKING STEERING WHEEL TURNING FORCE

1. Park vehicle on a level, dry surface and set parking brake.
2. Start engine.
3. Bring the power steering fluid up to adequate operating temperature. Make sure the fluid temperature is approximately 50° – 80°C (122° – 176°F).
4. Tires need to be inflated to specified pressure. Refer to [WT-53, "Tire"](#).

STEERING WHEEL

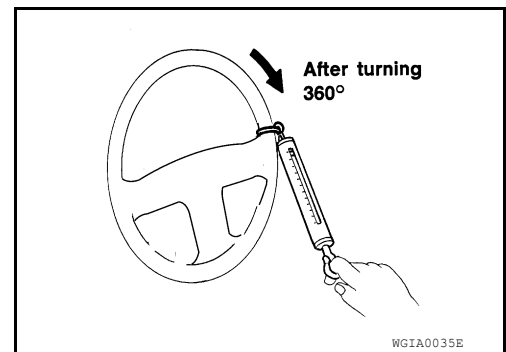
< PERIODIC MAINTENANCE >

5. Check steering wheel turning force using Tool when steering wheel has been turned 360° from the neutral position.

Tool number : — (J-44372)

Steering wheel turning force Refer to [ST-31, "Steering Wheel"](#)

6. If steering wheel turning force is out of specification, inspect the following:
- Steering column. Refer to [ST-12, "Removal and Installation"](#).
 - Power steering oil pump. Refer to [ST-8, "On-Vehicle Inspection and Service"](#).
7. If steering column and power steering oil pump meet specifications, replace steering gear. Refer to [ST-15, "Removal and Installation"](#).



CHECKING FRONT WHEEL TURNING ANGLE

When checking the front wheel turning angle, refer to [FSU-6, "Front Wheel Alignment"](#).

STEERING WHEEL

< REMOVAL AND INSTALLATION >

REMOVAL AND INSTALLATION

STEERING WHEEL

Removal and Installation

INFOID:000000010711239

REMOVAL

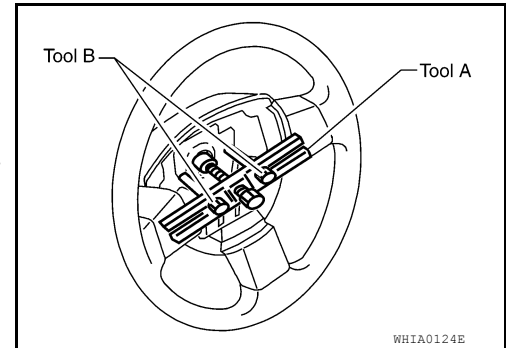
1. Set the front wheels in the straight-ahead position.
2. Remove the driver air bag module. Refer to [SR-11, "Removal and Installation"](#).
3. Disconnect the harness connectors from the steering wheel switches and remove.
4. Remove the steering wheel center nut.
5. Remove the steering wheel, using Tools (A and B).

Tool number (A): KV481J0010 (J-1859A)
(B): KV481J0020 (J-42578)

6. Inspect the steering wheel near the puller holes for damage. If damage is found, replace the steering wheel.
 - Remove the steering wheel rear cover and steering wheel switches (if required).

CAUTION:

Place a piece of tape across the spiral cable so it will not be rotated out of position.



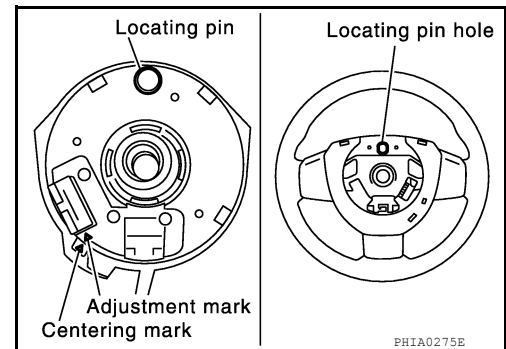
INSTALLATION

Installation is in the reverse order of removal.

- Align spiral cable correctly when installing steering wheel. Make sure that the spiral cable is in the neutral steering position. The neutral position is detected by turning left 2.5 revolutions from the right end position and ending with the locating pin at the top.
- Refer to [BRC-123, "ADJUSTMENT OF STEERING ANGLE SENSOR NEUTRAL POSITION : Special Repair Requirement"](#) for steering angle sensor adjustment.
- After the work is completed, perform self-diagnosis to make sure no malfunction is detected. Refer to [SRC-13, "SRS Operation Check"](#).
- Tighten steering wheel center nut to specification. Refer to [ST-12, "Removal and Installation"](#).

CAUTION:

- The spiral cable may snap due to steering operation if the cable is not installed in the correct position.
- With the steering linkage disconnected, the cable may snap by turning the steering wheel beyond the limited number of turns. The spiral cable can be turned counterclockwise about 2.5 turns from the neutral position.



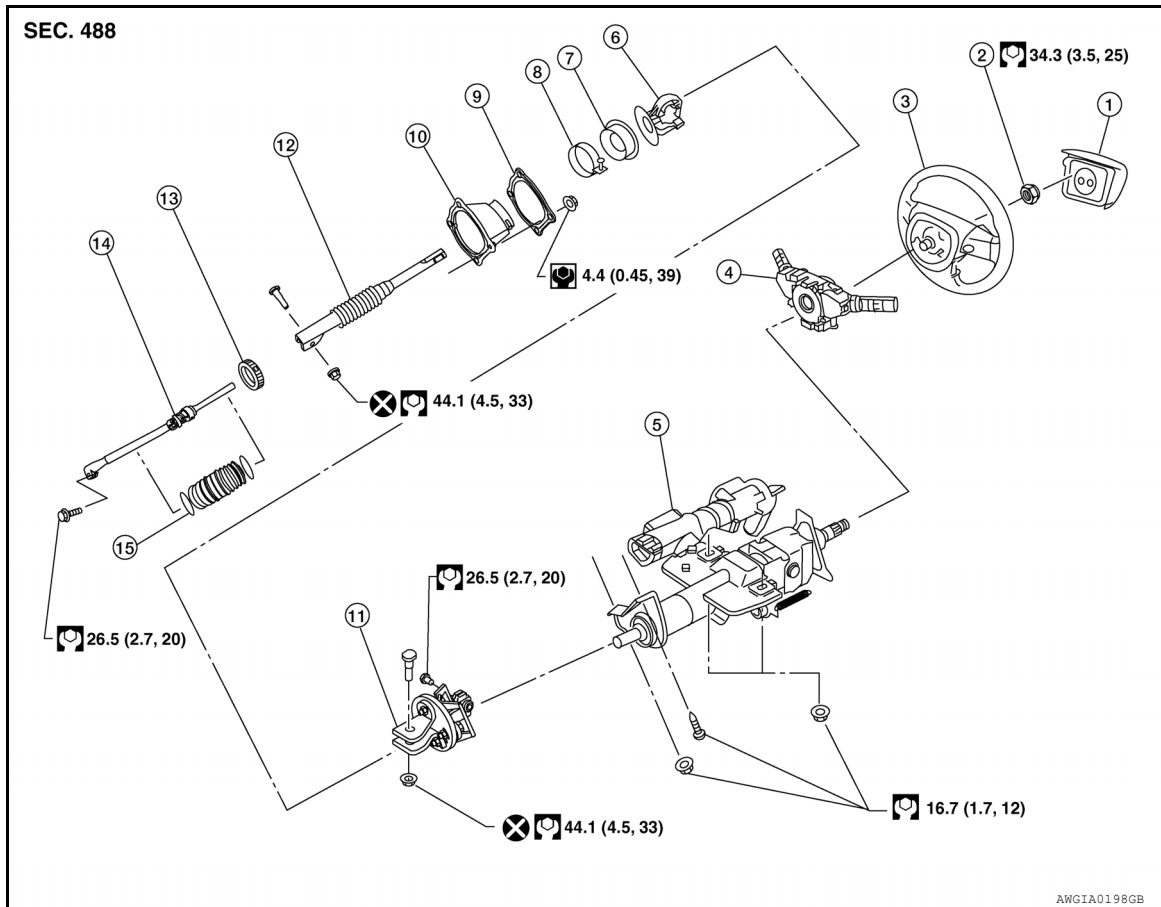
STEERING COLUMN

< REMOVAL AND INSTALLATION >

STEERING COLUMN

Removal and Installation

INFOID:000000010711240



- | | | |
|--|---|------------------------------|
| 1. Driver air bag module | 2. Steering wheel center nut | 3. Steering wheel |
| 4. Combination switch and spiral cable | 5. Steering column assembly and ignition switch | 6. Collar |
| 7. Hole cover seal | 8. Clamp | 9. Hole cover plate |
| 10. Hole cover | 11. Upper joint | 12. Upper shaft |
| 13. Boot clamp | 14. Lower joint shaft | 15. Boot and clips (plastic) |

CAUTION:

- Do not exert any axial load or impact to the steering column.
- Do not move the steering gear while the steering column assembly is removed.
- Any time the ignition switch has been removed or installed, the keys must be re-registered in the BCM. Refer to **CONSULT Immobilizer mode** and follow the on-screen instructions.

REMOVAL

1. Remove the spiral cable with the combination switches attached from the steering column assembly. Refer to [SR-13, "Removal and Installation"](#).
2. Remove the instrument lower panel LH. Refer to [IP-18, "Removal and Installation"](#).
3. Remove the steering column cover and ignition key finisher. Refer to [IP-16, "Removal and Installation"](#).
4. Remove the lower knee protector. Refer to [IP-15, "Removal and Installation"](#).
5. Disconnect key interlock from steering column (if equipped). Refer to [TM-297, "Removal and Installation"](#).

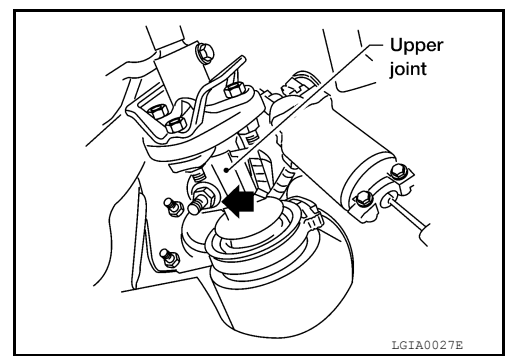
STEERING COLUMN

< REMOVAL AND INSTALLATION >

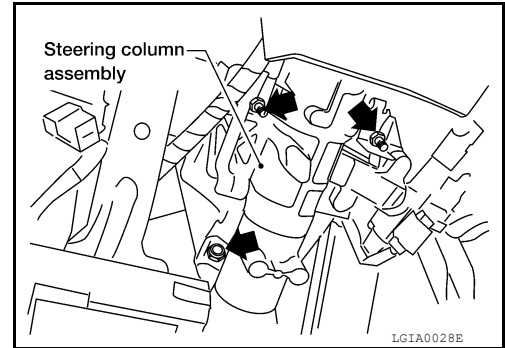
6. Remove the lock nut and bolt from the upper joint, then separate the upper joint from the upper shaft.

CAUTION:

Do not reuse the lock nut.



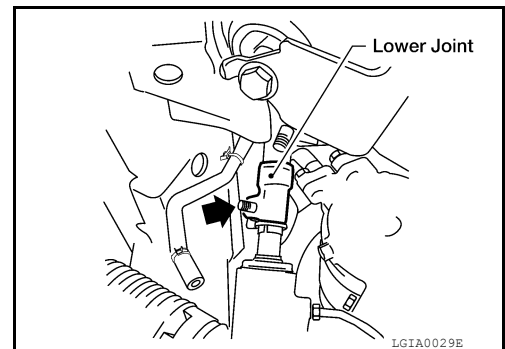
7. Remove the three nuts and bolt from the steering column assembly, then remove the steering column assembly from the steering member.



8. Remove the bolt from the lower joint of the lower joint shaft, then remove the lower joint shaft from the vehicle.

CAUTION:

Do not damage the lower joint.



INSPECTION AFTER REMOVAL

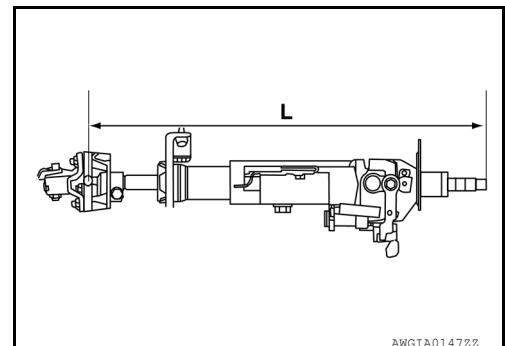
- Check for damage to the steering column jacket tube. If damage is found, replace the steering column with a new one.

CAUTION:

- **Do not exert any axial load or impact to the steering column.**
- **Replace the column if it is depleted of grease, worn, damaged, or if any scratches or coating separation is present on the shaft seal area.**
- If the vehicle has been in a collision, or if noises are heard coming from the steering column, check column length. If out of specification, replace the steering column as an assembly.

Steering column length (L)

Refer to [ST-31, "Steering Column"](#).



INSTALLATION

Installation is in the reverse order of removal.

STEERING COLUMN

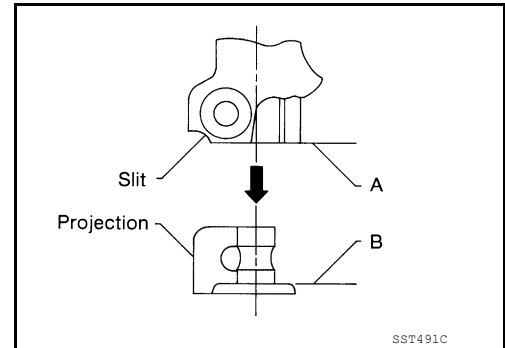
< REMOVAL AND INSTALLATION >

CAUTION:

When installing the steering column, finger-tighten all of the lower bracket and joint bolts; then tighten them to specification. Do not apply undue stress to the steering column.

NOTE:

- With the wheels in the straight ahead position, align the slit of the lower joint with the projection on the dust cover. Insert the joint until surface (A) contacts surface (B).
- After installation, inspect the steering column for proper operation.



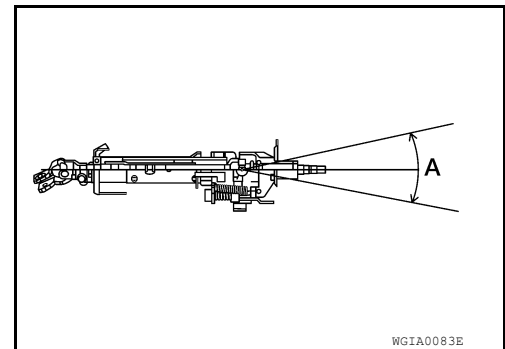
INSPECTION AFTER INSTALLATION

- Check the tilt device for proper tilt range.

Tilt range (A)

Refer to [ST-31, "Steering Column"](#).

- Check that the steering wheel turns smoothly to the left and right locks.
- Check that the number of turns are the same from the straight-forward position to the left and right locks.
- Check that the steering wheel is in the neutral position when driving straight ahead.



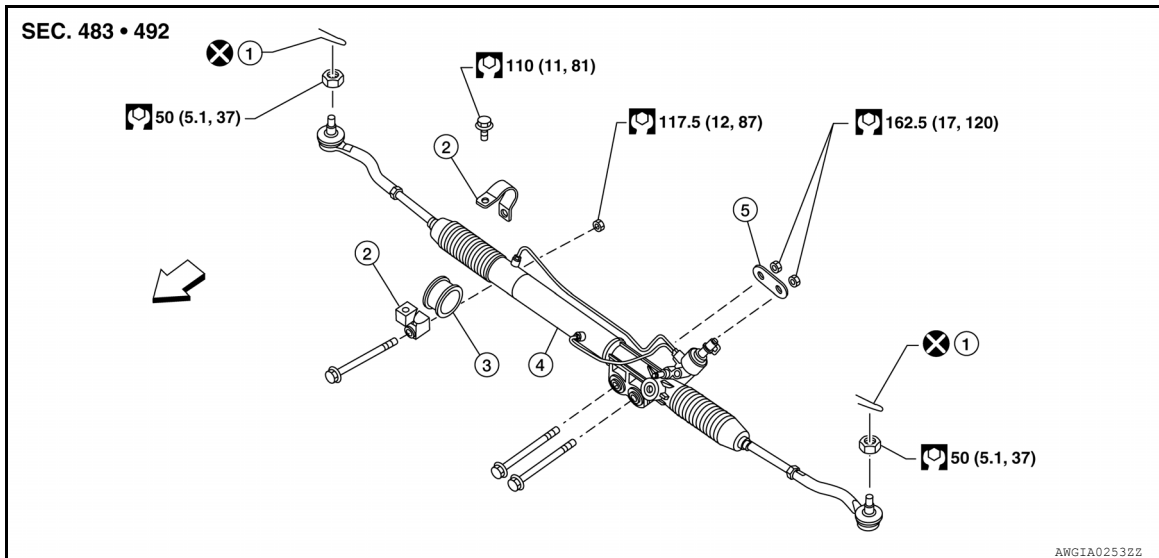
POWER STEERING GEAR AND LINKAGE

< REMOVAL AND INSTALLATION >

POWER STEERING GEAR AND LINKAGE

Removal and Installation

INFOID:000000010711241



- | | | |
|---------------------------|------------|--------------|
| 1. Cotter pin | 2. Bracket | 3. Insulator |
| 4. Steering gear assembly | 5. Washer | ⇐ Front |

CAUTION:

Spiral cable may snap due to steering operation if the steering column is separated from the steering gear assembly. Therefore secure the steering wheel to avoid turning.

NOTE:

When removing components such as hoses, tubes/lines, etc., cap or plug openings to prevent fluid from spilling.

REMOVAL

1. Set front wheels in the straight-ahead position.
2. Remove the front wheels and tires from the vehicle, using power tool. Refer to [WT-48, "Adjustment"](#).
3. Drain the power steering fluid.
4. Remove the engine under cover (if equipped), using power tool. Refer to [EXT-15, "Removal and Installation"](#).
5. On 4WD models, remove the front final drive, then support the drive shafts, using suitable wire. Refer to [DLN-191, "Removal and Installation"](#).
6. Remove the stabilizer bar brackets and reposition the stabilizer bar. Refer to [FSU-15, "Removal and Installation"](#).
7. Remove the cotter pins at the steering outer sockets.
CAUTION:
Do not reuse the cotter pins.
8. Loosen the outer socket nuts.

POWER STEERING GEAR AND LINKAGE

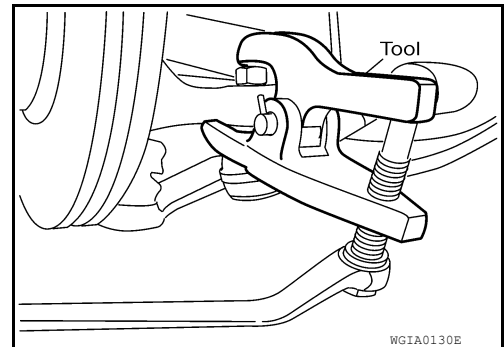
< REMOVAL AND INSTALLATION >

9. Remove the steering outer sockets from the steering knuckles, using Tool, then remove the nuts.

Tool number : HT72520000 (J-25730-A)

CAUTION:

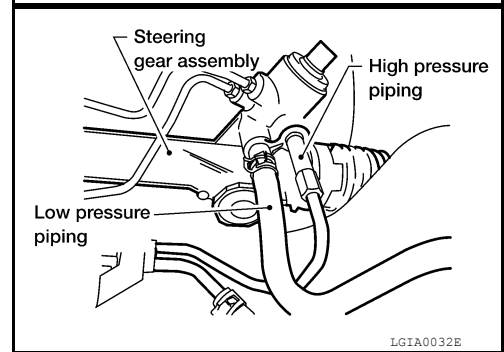
- Do not damage the outer socket boots.
- Do not damage the outer socket threads. Thread the ball joint nut onto the end of the outer socket during removal.



10. Remove the high-pressure and low-pressure piping from the steering gear assembly, then drain the fluid from the piping.

CAUTION:

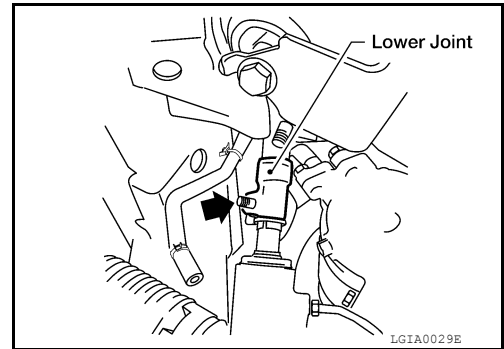
Do not reuse O-ring.



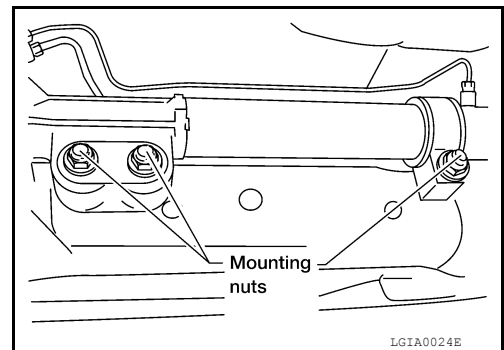
11. Remove the pinch bolt from the lower joint shaft, then separate the lower joint from the steering gear assembly.

CAUTION:

Do not damage the lower joint.



12. Remove the nuts and bolts of the steering gear assembly, using power tool, then remove the steering gear assembly from the vehicle.



INSTALLATION

Installation is in the reverse order of removal.

CAUTION:

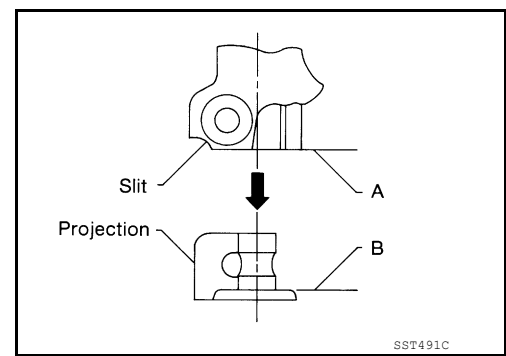
Do not reuse O-ring.

- Bleed the air from the steering hydraulic system before starting engine. Refer to [ST-6, "Air Bleeding Hydraulic System"](#).

POWER STEERING GEAR AND LINKAGE

< REMOVAL AND INSTALLATION >

- With the steering wheel in the straight ahead position, align the slit of the lower joint with the projection on the dust cover. Insert the joint until surface (A) contacts surface (B).
- After removing/installing or replacing steering components, check wheel alignment. Refer to [FSU-6, "Front Wheel Alignment"](#).
- After adjusting wheel alignment, adjust neutral position of the steering angle sensor. Refer to [BRC-123, "ADJUSTMENT OF STEERING ANGLE SENSOR NEUTRAL POSITION : Special Repair Requirement"](#).



INSPECTION AFTER INSTALLATION

- Check that the steering wheel turns smoothly to the left and right locks.
- Check that the number of turns are the same from the straight-forward position to the left and right locks.
- Check that the steering wheel is in the neutral position when driving straight ahead.

A
B
C
D
E
F

ST

H
I
J
K
L
M
N
O
P

POWER STEERING OIL PUMP

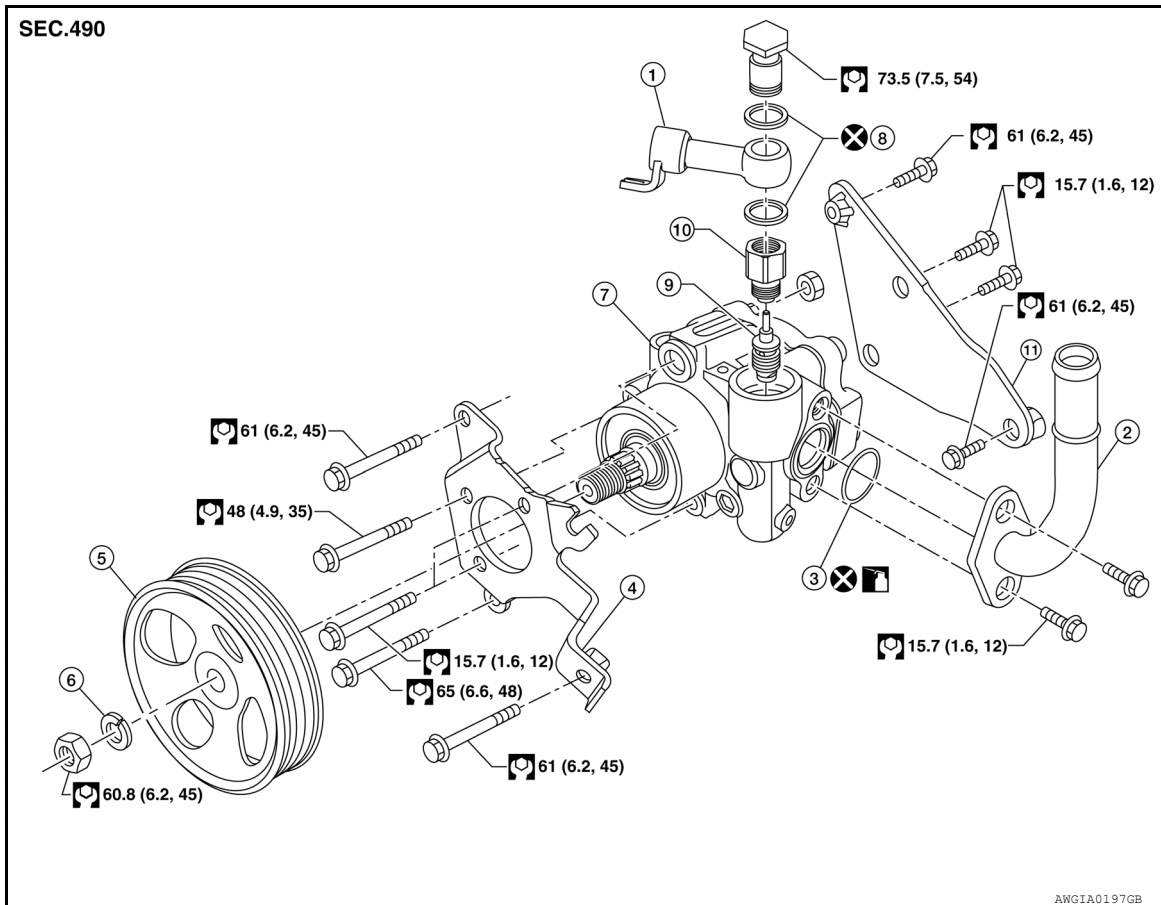
< REMOVAL AND INSTALLATION >


POWER STEERING OIL PUMP

Component

INFOID:000000010711242

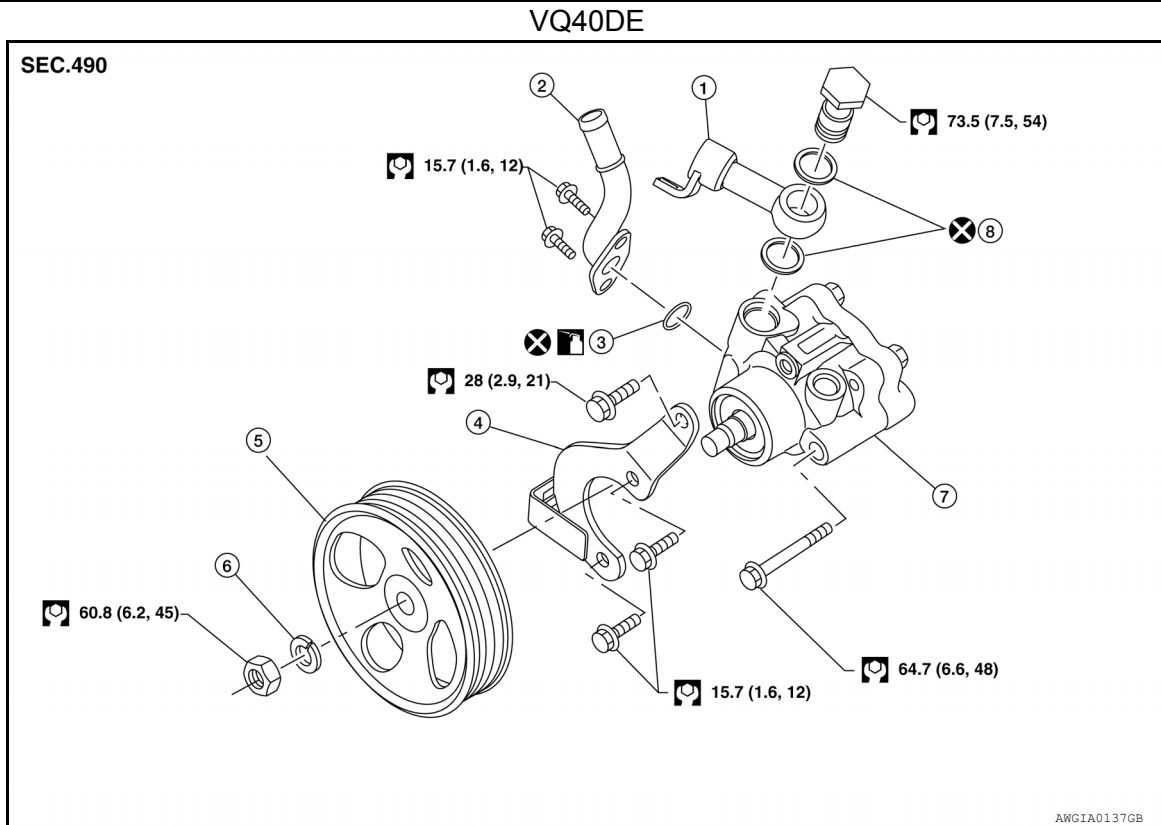
QR25DE



- | | | |
|------------------|---------------------------|--|
| 1. Joint | 2. Suction pipe | 3. O-ring |
| 4. Front bracket | 5. Pulley | 6. Lock washer |
| 7. Body assembly | 8. Copper sealing washers | 9. Flow control valve and spring |
| 10. Connector | 11. Rear bracket |  Apply Genuine Nissan PSF or equivalent |

POWER STEERING OIL PUMP

< REMOVAL AND INSTALLATION >



- | | | |
|------------------|---------------------------|--|
| 1. Joint | 2. Suction pipe | 3. O-ring |
| 4. Front bracket | 5. Pulley | 6. Lock washer |
| 7. Body assembly | 8. Copper sealing washers | Apply Genuine Nissan PSF or equivalent |

Removal and Installation

INFOID:000000010711243

NOTE:

When removing components such as hoses, tubes/lines, etc., cap or plug openings to prevent fluid from spilling.

REMOVAL

1. Drain the power steering fluid from the reservoir tank.
2. On VQ40DE model, remove the engine room cover. Refer to [EM-140, "Removal and Installation"](#).
3. On VQ40DE model, remove cooling fan assembly. Refer to [CO-48, "Removal and Installation \(Motor driven type\)"](#) (VQ40DE).
4. Remove the air duct assembly. Refer to [EM-25, "Exploded View"](#) (QR25DE), [EM-141, "Exploded View"](#) (VQ40DE).
5. Remove the serpentine drive belt from the auto-tensioner and power steering oil pump. Refer to [EM-14, "Removal and Installation"](#) (QR25DE), [EM-129, "Removal and Installation"](#) (VQ40DE).
6. Disconnect the harness connector from pressure sensor.
7. Remove the high pressure and low pressure piping from the power steering oil pump. Refer to [ST-21, "Removal and Installation"](#).
8. Remove the power steering oil pump bolts, then remove the power steering pump.

INSTALLATION

Installation is in the reverse order of removal.

POWER STEERING OIL PUMP

< REMOVAL AND INSTALLATION >

- On VQ40DE, install the bolts to specification in the order shown.
- After installation, bleed the air from the hydraulic circuit thoroughly. Refer to [ST-6. "Air Bleeding Hydraulic System"](#).

Power steering pump to bracket bolt (1) **64.7 Nm (6.6 kg-m, 48 ft-lb)**

Power steering pump to block bolt (2) **28 Nm (2.9 kg-m, 21 ft-lb)**

NOTE:

Belt tension is automatic and requires no adjustment.

POWER STEERING OIL PUMP BRACKET (VQ40DE)

Removal

1. Remove the power steering oil pump.
2. Remove the bolts and the power steering oil pump bracket.

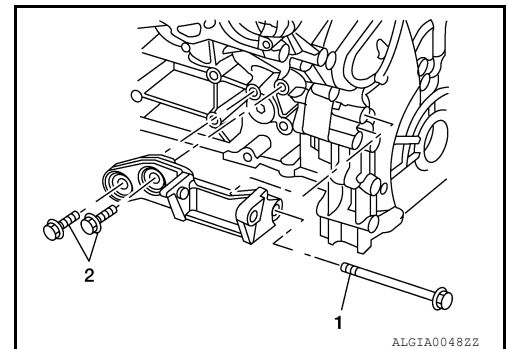
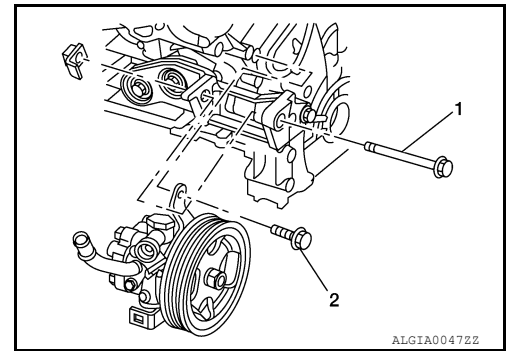
Installation

1. Position the bracket and install the bracket to block bolts finger tight.
2. Tighten the bolts to specification in order as shown.

Bracket to front of block bolt (1) **61.3 Nm (6.3 kg-m, 45 ft-lb)**

Bracket to side of block bolt (2) **61.3 Nm (6.3 kg-m, 45 ft-lb)**

3. Install the power steering oil pump.



HYDRAULIC LINE

< REMOVAL AND INSTALLATION >

HYDRAULIC LINE

Removal and Installation

INFOID:000000010711244

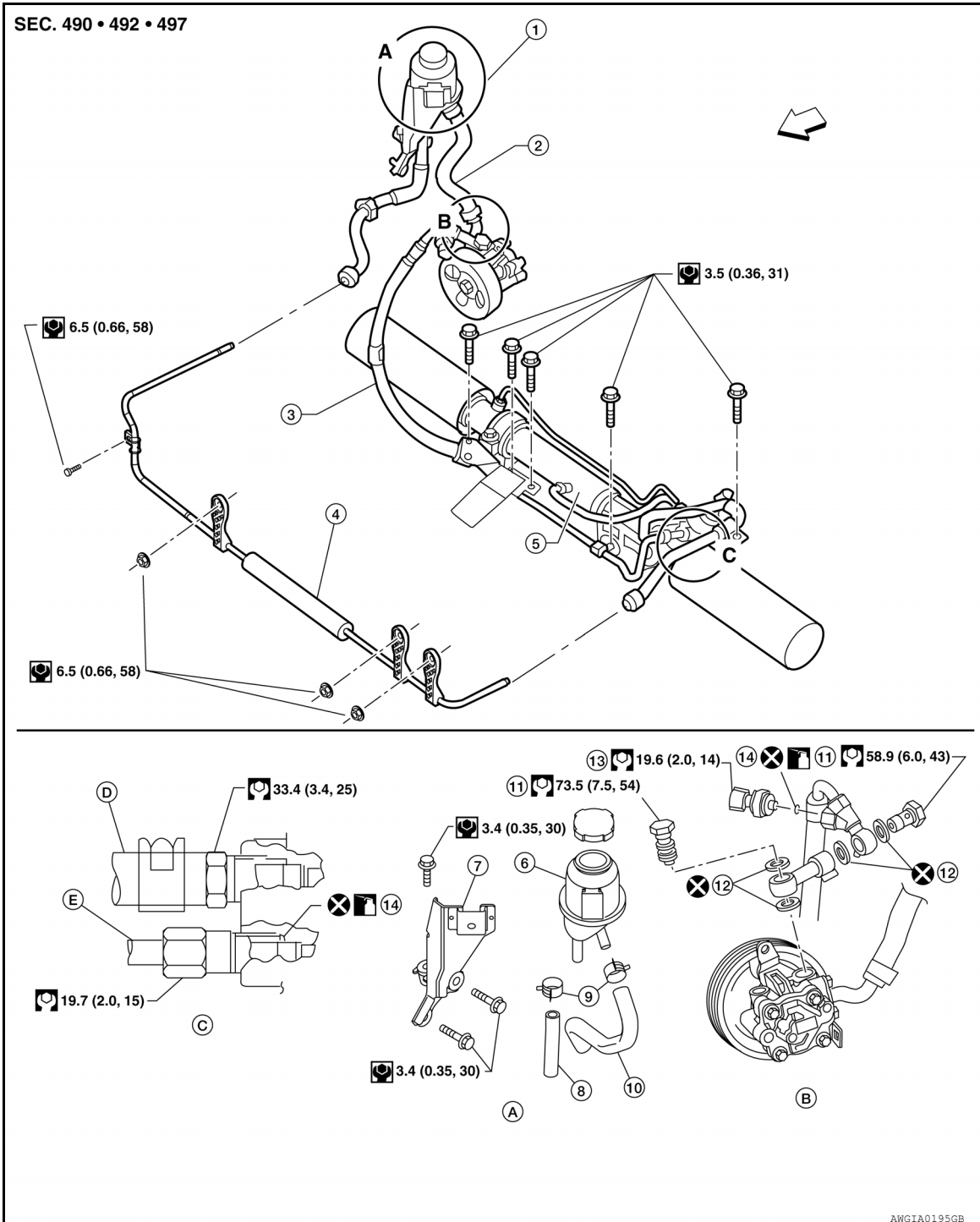
CAUTION:

Do not reuse O-rings or copper sealing washers.

NOTE:

When removing components such as hoses, tubes/lines, etc., cap or plug openings to prevent fluid from spilling.

Refer to the following illustration for hydraulic line removal and installation.



1. Reservoir tank

2. Suction hose

3. High pressure hose



4. Oil cooler

5. Steering gear assembly

6. Reservoir tank

HYDRAULIC LINE

< REMOVAL AND INSTALLATION >

- | | | |
|------------------------------------|--|---|
| 7. Reservoir tank bracket | 8. Return hose | 9. Hose clamps |
| 10. Suction hose | 11. Connector bolts | 12. Copper sealing washers |
| 13. Pressure sensor | 14. O-ring | A. Reservoir tank attachment |
| B. Power steering pump connections | C. Steering gear assembly connections | D. Low pressure hose |
| E. High pressure hose |  Genuine Nissan PSF or equivalent |  Front |

STEERING COLUMN

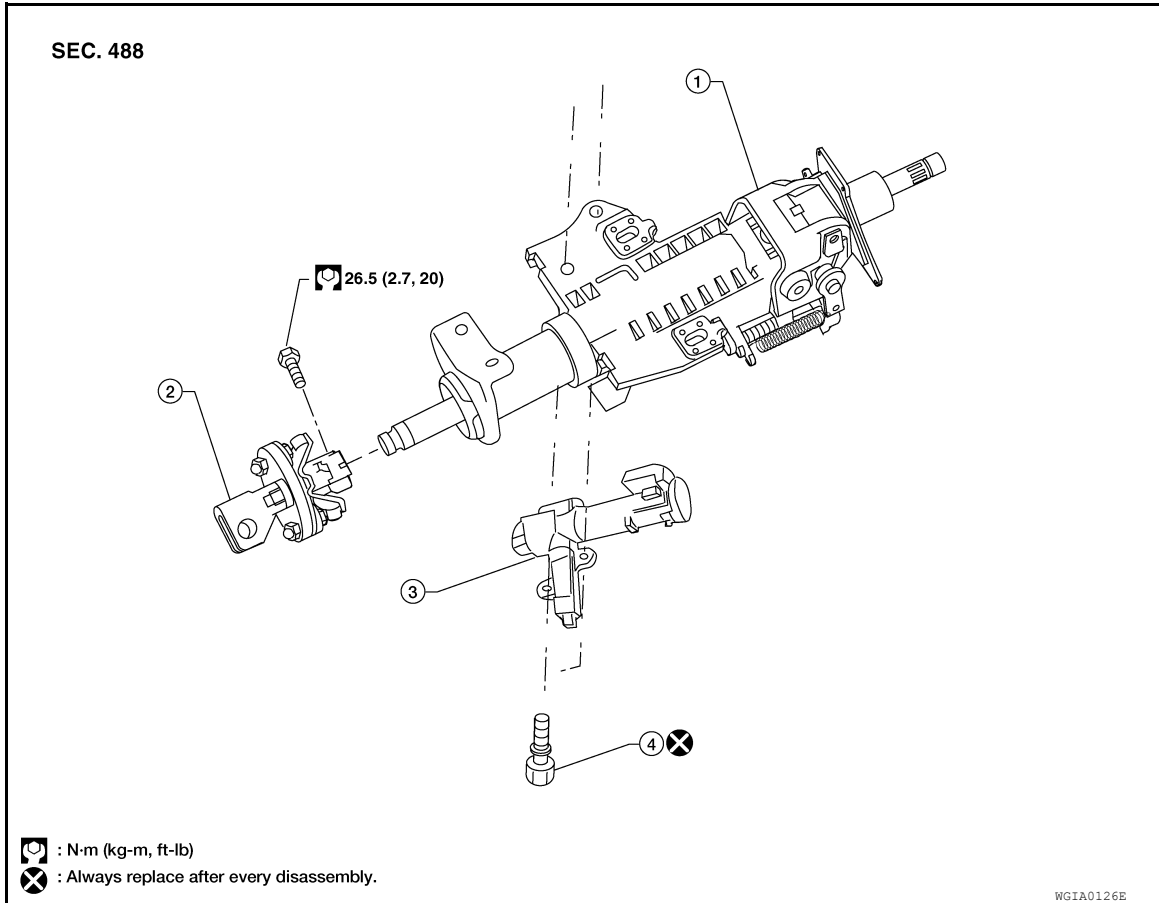
< UNIT DISASSEMBLY AND ASSEMBLY >

UNIT DISASSEMBLY AND ASSEMBLY

STEERING COLUMN

Disassembly and Assembly

INFOID:0000000010711245



1. Steering column assembly
2. Upper joint
3. Ignition switch
4. Self-shear screw

DISASSEMBLY

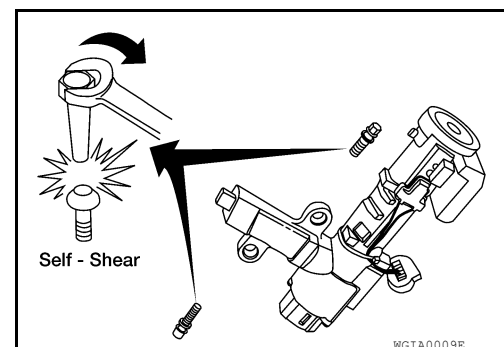
1. Remove the bolt from the upper joint, then remove the upper joint from the steering column assembly.
2. Remove the ignition switch tamper resistant self-shear screws, using a drill.
3. Remove the ignition switch from the steering column.

ASSEMBLY

Assembly is in the reverse order of disassembly.

CAUTION:

- Do not reuse the self-shear screws.
- Any time the ignition switch has been removed and installed, the keys must be re-registered in the BCM. Refer to CONSULT Immobilizer mode and follow the on-screen instructions.



STEERING COLUMN

< UNIT DISASSEMBLY AND ASSEMBLY >

INSPECTION AFTER ASSEMBLY

When the steering wheel does not turn smoothly, check as follows:

1. Check the steering column for the following:
 - Damage to the column tube or bearings
 - Wear around the seal edges
 - Corrosion or pitting around the seal sliding area

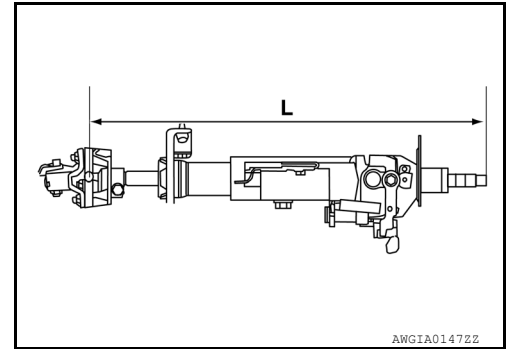
Replace the steering column as an assembly, if necessary.

CAUTION:

- Do not exert any axial load or impact to the steering column.
 - Replace the column if it is depleted of grease, worn, damaged, or if any scratches or coating separation is present on the shaft seal area.
2. If the vehicle has been in a collision, or if noises are heard coming from the steering column, check column length. If out of specification, replace the steering column as an assembly.

Steering column
length (L)

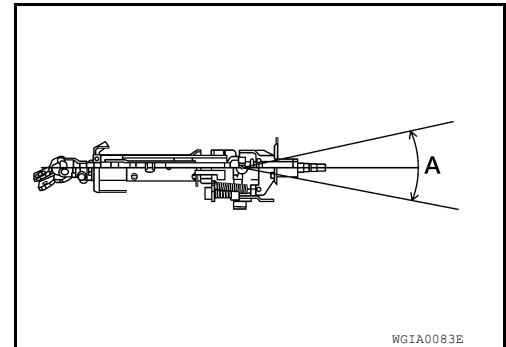
Refer to [ST-31, "Steering Column"](#)



3. Check the tilt device for proper operation range.

Range (A)

Refer to [ST-31, "Steering Column"](#)



POWER STEERING OIL PUMP

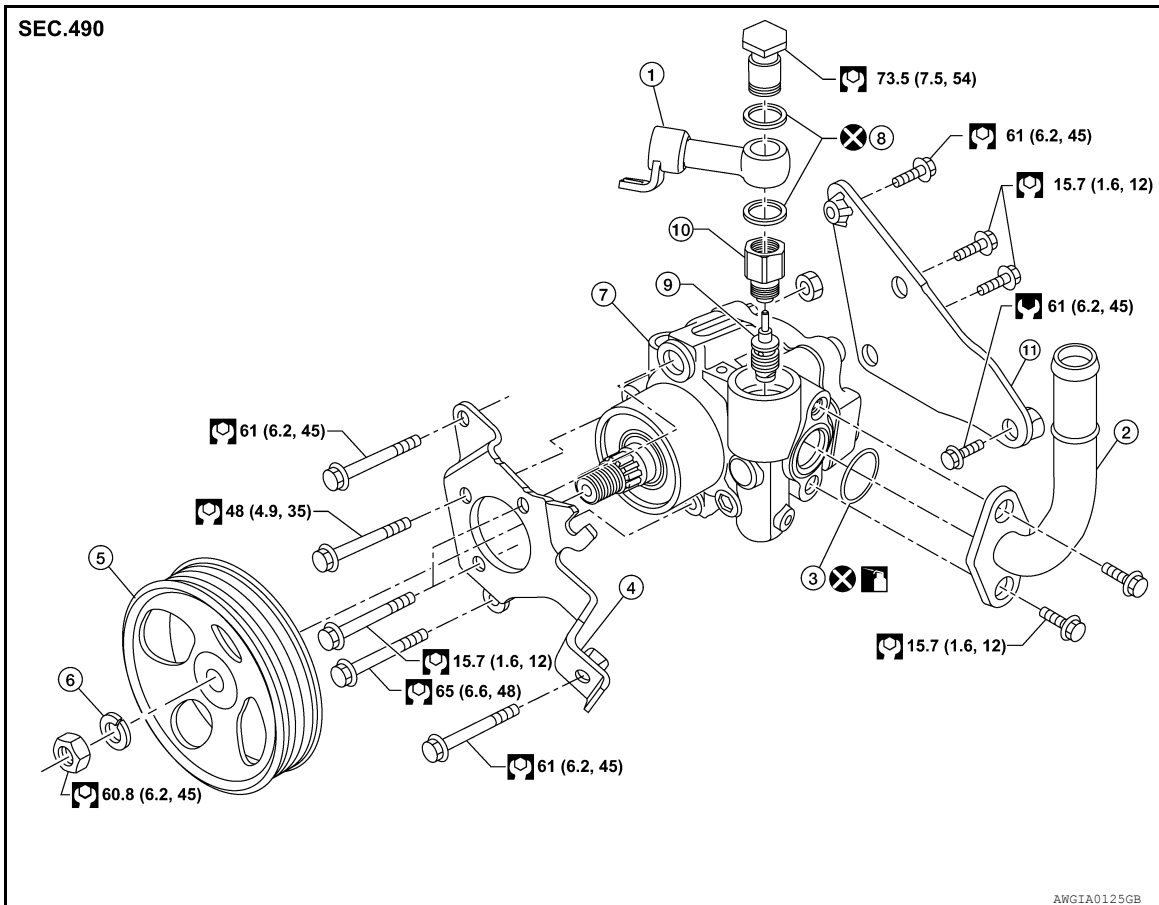
< UNIT DISASSEMBLY AND ASSEMBLY >


POWER STEERING OIL PUMP

Component

INFOID:000000010711246

QR25DE

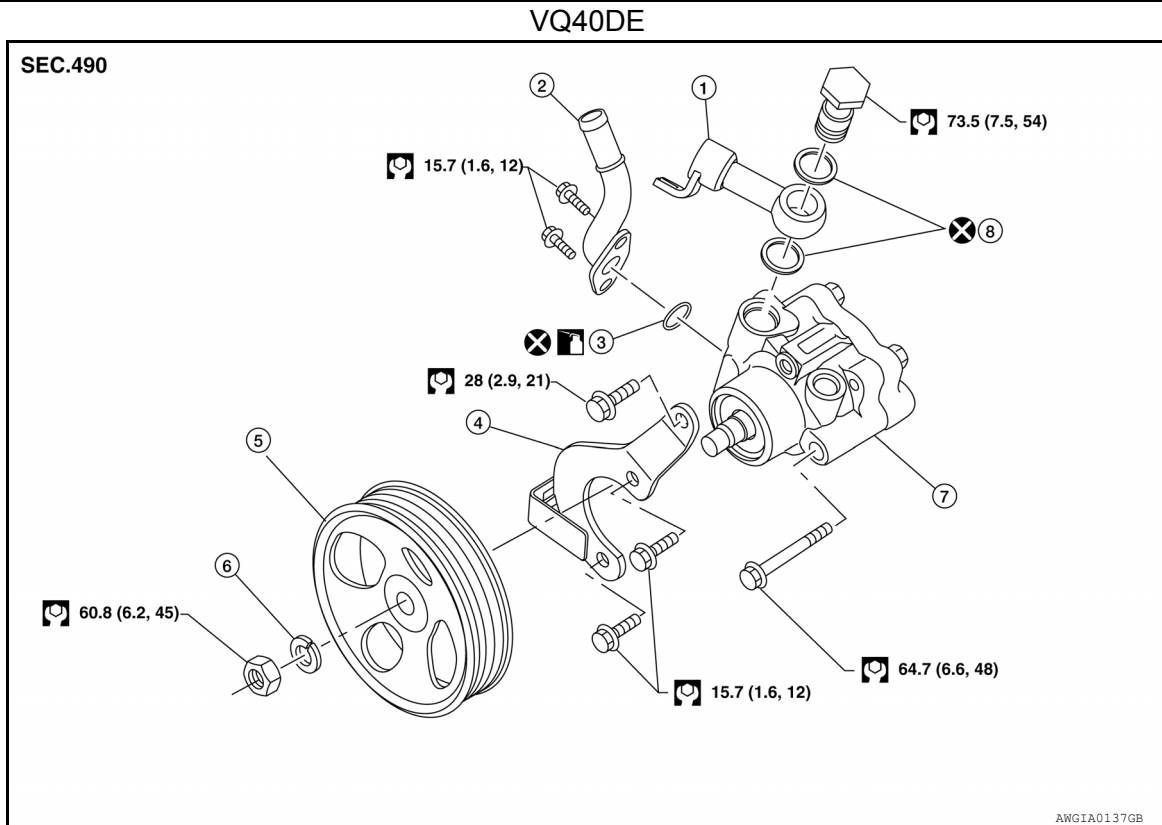


- | | | |
|------------------|---------------------------|--|
| 1. Joint | 2. Suction pipe | 3. O-ring |
| 4. Front bracket | 5. Pulley | 6. Lock washer |
| 7. Body assembly | 8. Copper sealing washers | 9. Flow control valve and spring |
| 10. Connector | 11. Rear bracket |  Apply Genuine Nissan PSF or equivalent |

A
B
C
D
E
F
ST
H
I
J
K
L
M
N
O
P

POWER STEERING OIL PUMP

< UNIT DISASSEMBLY AND ASSEMBLY >



- | | | |
|------------------|---------------------------|--|
| 1. Joint | 2. Suction pipe | 3. O-ring |
| 4. Front bracket | 5. Pulley | 6. Lock washer |
| 7. Body assembly | 8. Copper sealing washers | Apply Genuine Nissan PSF or equivalent |

Disassembly and Assembly

INFOID:000000010711247

INSPECTION BEFORE DISASSEMBLY

Disassemble the power steering oil pump only if the following items are found.

- Deformed or damaged pulley, bracket, connector or suction pipe
- Oil leakage from the suction pipe or connector.

DISASSEMBLY

NOTE:

Mount the power steering oil pump in a vise as needed.

1. Remove the joint bolt, joint and copper sealing washers.
CAUTION:
Do not reuse copper sealing washers.
2. On QR25DE model, remove connector and flow control valve with spring.
3. Remove the suction pipe and O-ring.
CAUTION:
Do not reuse O-ring.
4. Remove the pulley nut and pulley.
5. Remove the bracket bolts and bracket(s).

INSPECTION AFTER DISASSEMBLY

Body Assembly Inspection

Check the power steering oil pump body assembly for damage. If any damage is found, replace with a new power steering oil pump assembly.

ASSEMBLY

Assembly is in the reverse order of disassembly.

POWER STEERING OIL PUMP

< UNIT DISASSEMBLY AND ASSEMBLY >

CAUTION:

- Do not reuse O-ring or copper sealing washers.
- Apply a coat of Genuine NISSAN PSF or equivalent to the O-ring.

A

B

C

D

E

F

ST

H

I

J

K

L

M

N

O

P

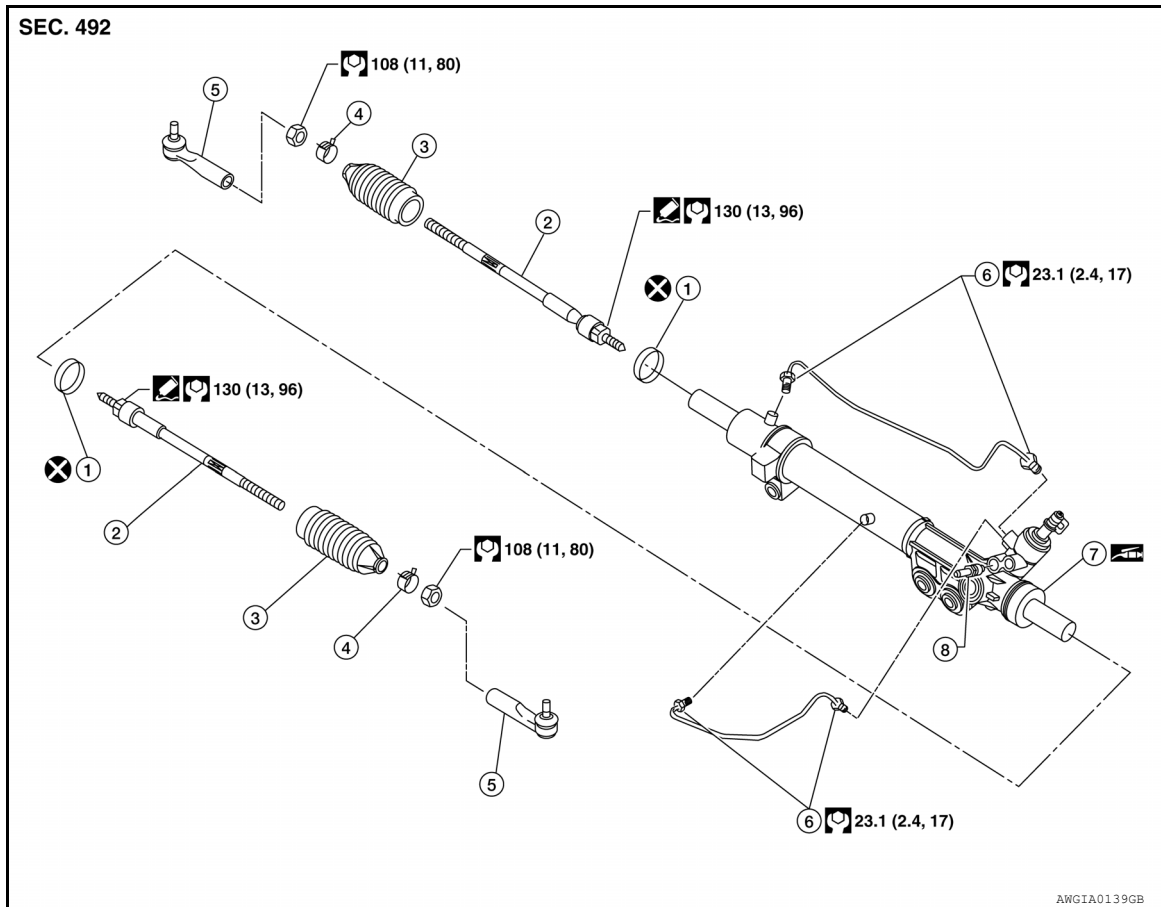
STEERING GEAR AND LINKAGE

< UNIT DISASSEMBLY AND ASSEMBLY >

STEERING GEAR AND LINKAGE

Disassembly and Assembly

INFOID:000000010711248



- | | | |
|--------------------------|-----------------|-------------------|
| 1. Boot clamp | 2. Inner socket | 3. Boot |
| 4. Boot clamp | 5. Outer socket | 6. Cylinder tubes |
| 7. Gear housing assembly | 8. Connector | |

CAUTION:

- Secure the gear housing assembly with a vise. Use copper plates or equivalent to prevent it from being damaged. Do not grip the cylinder with a vise.
- Before performing disassembly, clean the gear housing assembly. Be careful not to allow any cleaner to contact the discharge and return port connectors.

DISASSEMBLY

1. Remove the cylinder tubes from the gear housing assembly.
2. Loosen the lock nuts of the outer sockets, then remove the outer sockets from the inner sockets.
3. Remove the boot clamps from the boots, then remove the boots from the inner sockets and gear housing assembly.

CAUTION:

- Do not reuse the large-diameter boot clamps.
 - Do not damage the boots, inner socket or gear housing assembly. If they are damaged, replace them.
4. Remove the inner sockets.

INSPECTION AFTER DISASSEMBLY

Boot

Check boot for tears, cracks and deformation. Replace if necessary.

STEERING GEAR AND LINKAGE

< UNIT DISASSEMBLY AND ASSEMBLY >

Gear Housing Assembly

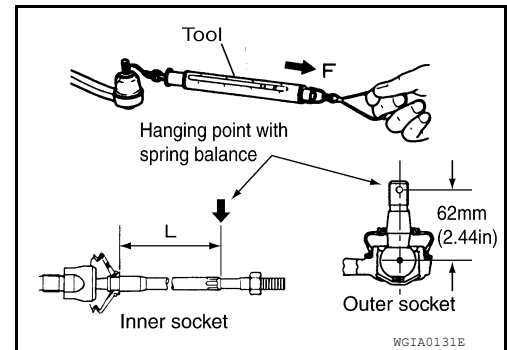
Check gear housing assembly for dents, cracks or damage. Replace as an assembly if necessary.

Outer Socket and Inner Socket

SWING TORQUE

- Measure the swing torque, using Tool. When ball stud and inner socket start moving the measured value must be within the specification. If the reading is outside the specification, replace the socket.

Tool number : — (J-44372)



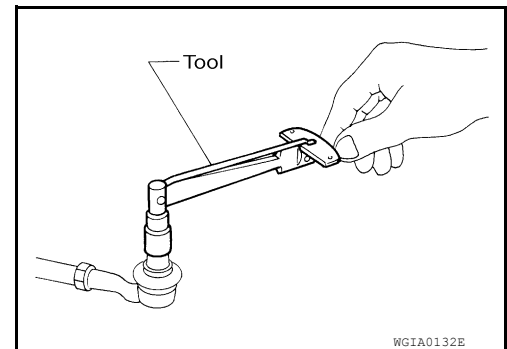
Item	Outer socket	Inner socket
Measuring point	Cotter pin hole of stud	Shown as L: Refer to ST-31, "Steering Gear"
Swing torque	Refer to ST-31, "Steering Gear"	Refer to ST-31, "Steering Gear"
Measuring value	Refer to ST-31, "Steering Gear"	Refer to ST-31, "Steering Gear"

ROTATING TORQUE

- Measure the rotating torque, using Tool. If the value is outside the specification, replace the outer sockets.

Tool number : ST3127S000 (J-25765-A)

**Outer socket Refer to [ST-31, "Steering Gear"](#)
rotating torque**

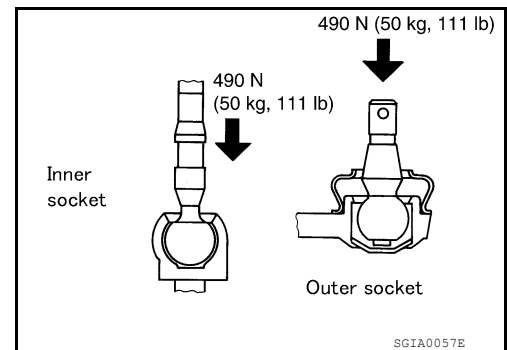


AXIAL END PLAY

- Apply a load of 490 N (50 kg-f, 110 lb-f) to the ball stud axially. Use a dial gauge to measure the amount of the movement that the stud makes. If the value is outside the specification, replace the sockets.

Outer socket Refer to [ST-31, "Steering Gear"](#)

Inner socket Refer to [ST-31, "Steering Gear"](#)



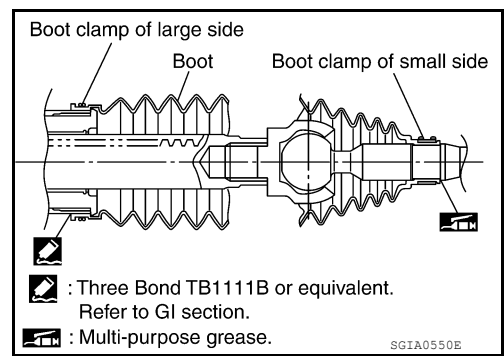
ASSEMBLY

1. Install the inner sockets.

STEERING GEAR AND LINKAGE

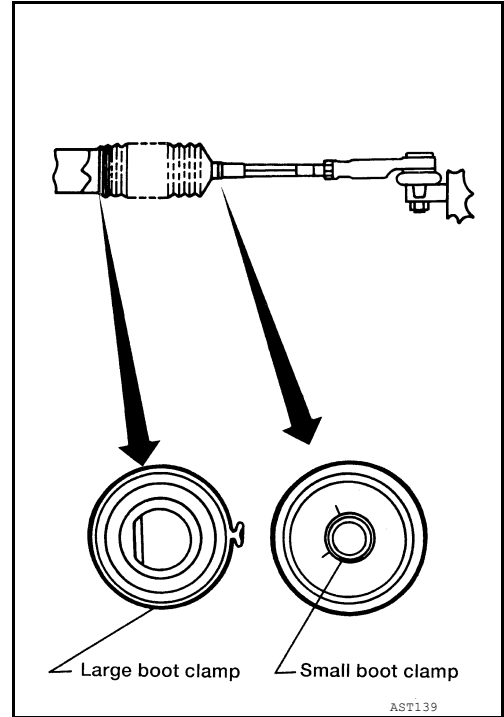
< UNIT DISASSEMBLY AND ASSEMBLY >

2. Install the large-diameter side of the boots to the gear housing assembly.
3. Install the small-diameter side of the boots to the groove of the inner sockets.



4. Install the boot clamps to the boots, as shown.

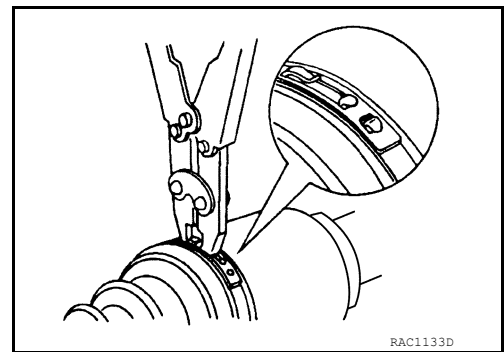
CAUTION:
Do not reuse the large boot clamps.



5. Crimp the large boot clamps, using Tool.

Tool number : KV40107300 (—)

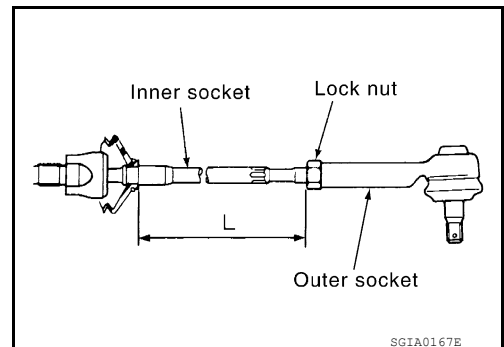
6. Install the cylinder tubes to the gear housing assembly.
7. Install the lock nuts and outer sockets to the inner sockets.



8. Thread the outer sockets onto the inner sockets to the specified length (L) and a minimum thread depth of 18 threads, then tighten the lock nuts to the specified torque. Refer to "Disassembly and Assembly". Reconfirm that the tie-rod length (L) is within specification.

Maximum inner socket length (L)

Refer to [ST-31, "Steering Gear"](#)



SERVICE DATA AND SPECIFICATIONS (SDS)

< SERVICE DATA AND SPECIFICATIONS (SDS)

SERVICE DATA AND SPECIFICATIONS (SDS)

SERVICE DATA AND SPECIFICATIONS (SDS)

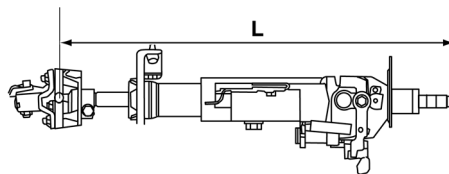
Steering Wheel

INFOID:0000000010711249

End play of the axle direction for steering wheel	0 mm (0 in)
Steering wheel turning force	39 N (4 kg-f, 9 lb-f) or less
Steering wheel play on the outer circumference	0 – 35 mm (0 – 1.38 in)

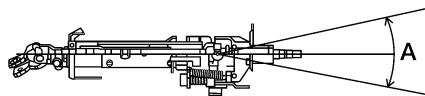
Steering Column

INFOID:0000000010711250



AWGIA01472Z

Steering column length (L)	553.0 mm (21.77 in)
----------------------------	---------------------



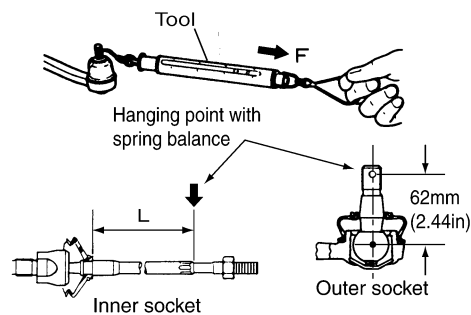
WGIA0083E

Tilt range (A)	18° - 21° of tilt range
----------------	-------------------------

Steering Gear

INFOID:0000000010711251

Steering gear type	PR26AM
--------------------	--------



WGIA0131E

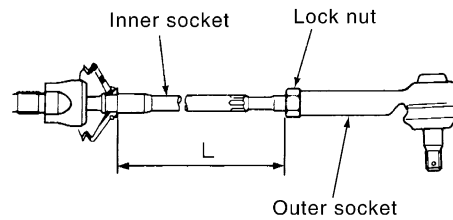
SERVICE DATA AND SPECIFICATIONS (SDS)

< SERVICE DATA AND SPECIFICATIONS (SDS)

Steering gear type		PR26AM
Outer socket	Swinging torque	0.3 – 2.9 N·m (0.03 – 0.29 kg-m, 3 – 25 in-lb)
	Measurement on spring balance • Measuring point: cotter pin hole of stud	4.84 – 46.7 N (0.50 – 4.7 kg-f, 4 – 34 lb-f)
	Rotating torque	0.3 – 2.9 N·m (0.03 – 0.29 kg-m, 3 – 25 in-lb)
	Axial end play	0.5 mm (0.020 in) or less
Inner socket	Swinging torque	1.0 – 7.8 N·m (0.11 – 0.79 kg-m, 9 – 69 in-lb)
	Measurement on spring balance • Measuring point: L mark see above, L=83.2 mm (3.276 in).	12.1 – 93.7 N (1.3 – 9.5 kg-f, 9 – 69 lb-f)
	Axial end play	0.2 mm (0.08 in) or less
Rack sliding force	Standard	280 ± 30 N (28.6 ± 3.1 kg-f, 62.9 ± 6.7 lb-f)
	Minimum	210 N (21.4 kg-f, 47.2 lb-f)

Tie-rod

INFOID:000000010711252



SGIA0167E

Tie-rod maximum length (L)	84 mm (3.31 in)
----------------------------	-----------------

Oil Pump

INFOID:000000010711253

Oil pump relief hydraulic pressure - Maximum	8.8 mPa (89.76 kg/cm ² , 1276 psi)
--	---

Steering Fluid

INFOID:000000010711254

Fluid capacity	Approx. 1.0 ℓ (2 1/8 US pt, 1 3/4 Imp pt)
----------------	---