

WT
SECTION
ROAD WHEELS & TIRES

A
B
C
D

WT

CONTENTS

<p>BASIC INSPECTION 3</p> <p>DIAGNOSIS AND REPAIR WORKFLOW 3</p> <p style="padding-left: 20px;">Repair Work Flow3</p> <p>INSPECTION AND ADJUSTMENT 5</p> <p style="padding-left: 20px;">Preliminary Check5</p> <p>ID REGISTRATION PROCEDURE 6</p> <p style="padding-left: 20px;">Description6</p> <p style="padding-left: 20px;">Work Procedure6</p> <p>SYSTEM DESCRIPTION 9</p> <p>TPMS 9</p> <p style="padding-left: 20px;">System Diagram9</p> <p style="padding-left: 20px;">System Description9</p> <p style="padding-left: 20px;">System Component 11</p> <p>DIAGNOSIS SYSTEM (BCM)12</p> <p style="padding-left: 20px;">CONSULT Function (BCM - COMMON ITEM) 12</p> <p style="padding-left: 20px;">CONSULT Function (BCM - AIR PRESSURE MONITOR) 12</p> <p style="padding-left: 20px;">Self-Diagnosis (Without CONSULT) 13</p> <p>DTC/CIRCUIT DIAGNOSIS15</p> <p>C1708 - C1711 DATA FROM TRANSMITTER NOT BEING RECEIVED15</p> <p style="padding-left: 20px;">Description 15</p> <p style="padding-left: 20px;">DTC Logic 15</p> <p style="padding-left: 20px;">Diagnosis Procedure 15</p> <p style="padding-left: 20px;">Special Repair Requirement 16</p> <p>C1712 - C1715, C1720 - C1723, C1724 - C1727 TRANSMITTER MALFUNCTION17</p> <p style="padding-left: 20px;">Description 17</p> <p style="padding-left: 20px;">DTC Logic 17</p> <p style="padding-left: 20px;">Diagnosis Procedure 17</p> <p style="padding-left: 20px;">Special Repair Requirement 18</p>	<p>C1716 - C1719 TRANSMITTER PRESSURE MALFUNCTION19</p> <p style="padding-left: 20px;">Description19</p> <p style="padding-left: 20px;">DTC Logic19</p> <p style="padding-left: 20px;">Diagnosis Procedure19</p> <p style="padding-left: 20px;">Special Repair Requirement20</p> <p>C1729 VEHICLE SPEED SIGNAL21</p> <p style="padding-left: 20px;">Description21</p> <p style="padding-left: 20px;">DTC Logic21</p> <p style="padding-left: 20px;">Diagnosis Procedure21</p> <p style="padding-left: 20px;">Special Repair Requirement21</p> <p>C1735 IGNITION SIGNAL22</p> <p style="padding-left: 20px;">Description22</p> <p style="padding-left: 20px;">DTC Logic22</p> <p style="padding-left: 20px;">Diagnosis Procedure22</p> <p style="padding-left: 20px;">Special Repair Requirement23</p> <p>ECU DIAGNOSIS INFORMATION24</p> <p>BCM (BODY CONTROL MODULE)24</p> <p style="padding-left: 20px;">Reference Value24</p> <p style="padding-left: 20px;">Terminal Layout27</p> <p style="padding-left: 20px;">Physical Values27</p> <p style="padding-left: 20px;">Self-Diagnosis (With CONSULT)32</p> <p style="padding-left: 20px;">Self-Diagnosis (Without CONSULT)33</p> <p>WIRING DIAGRAM35</p> <p>TIRE PRESSURE MONITORING SYSTEM35</p> <p style="padding-left: 20px;">Wiring Diagram35</p> <p>SYMPTOM DIAGNOSIS38</p> <p>TPMS38</p> <p style="padding-left: 20px;">Symptom Table38</p> <p>LOW TIRE PRESSURE WARNING LAMP DOES NOT TURN ON39</p> <p style="padding-left: 20px;">Low Tire Pressure Warning Lamp Does Not Come On When Ignition Switch Is Turned On39</p>
---	--

F
G
H
I
J
K
L
M
N
P

LOW TIRE PRESSURE WARNING LAMP STAYS ON	40	PREPARATION	46
Low Tire Pressure Warning Lamp Stays On When Ignition Switch Is Turned On	40	PREPARATION	46
		Special Service Tool	46
		Commercial Service Tools	46
LOW TIRE PRESSURE WARNING LAMP BLINKS	41	PERIODIC MAINTENANCE	47
Low Tire Pressure Warning Lamp Flashes When Ignition Switch Is Turned On	41	WHEEL	47
		Inspection	47
HAZARD WARNING LAMPS FLASH	42	WHEEL AND TIRE ASSEMBLY	48
Hazard Warning Lamps Flash When Ignition Switch Is Turned On	42	Adjustment	48
ID REGISTRATION CANNOT BE COMPLETED	43	UNIT REMOVAL AND INSTALLATION	50
ID Registration Cannot Be Completed	43	REMOVAL AND INSTALLATION	50
		Exploded View	50
		Transmitter (Pressure Sensor)	50
NOISE, VIBRATION, AND HARSHNESS (NVH) TROUBLESHOOTING	44	SERVICE DATA AND SPECIFICATIONS (SDS)	53
NVH Troubleshooting Chart	44	SERVICE DATA AND SPECIFICATIONS (SDS)	53
PRECAUTION	45	Road Wheel	53
PRECAUTIONS	45	Tire	53
Precaution for Supplemental Restraint System (SRS) "AIR BAG" and "SEAT BELT PRE-TENSIONER"	45		
Precaution for Road Wheel	45		

DIAGNOSIS AND REPAIR WORKFLOW

< BASIC INSPECTION >

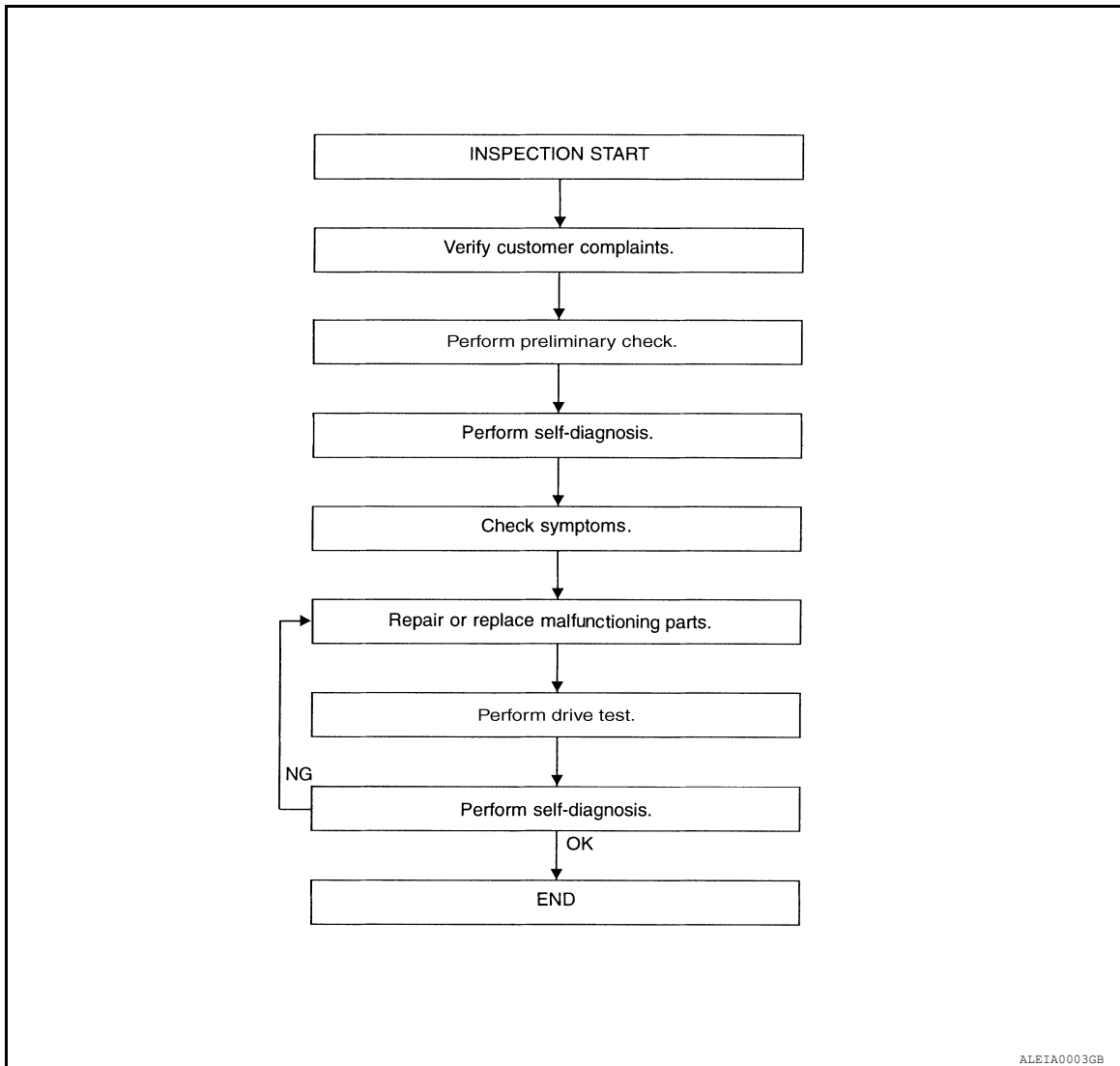
BASIC INSPECTION

DIAGNOSIS AND REPAIR WORKFLOW

Repair Work Flow

INFOID:000000010711502

WORK FLOW



[WT-5. "Preliminary Check"](#)

[WT-32. "Self-Diagnosis \(With CONSULT\)"](#)
[WT-13. "Self-Diagnosis \(Without CONSULT\)"](#)

[WT-38. "Symptom Table"](#)

DETAILED FLOW

1. CUSTOMER INFORMATION

Interview the customer to obtain detailed information about the symptom.

>> GO TO 2.

2. PRELIMINARY CHECK

Perform preliminary check. Refer to [WT-5. "Preliminary Check"](#).

>> GO TO 3.

DIAGNOSIS AND REPAIR WORKFLOW

< BASIC INSPECTION >

3.SELF-DIAGNOSIS

Perform self-diagnosis. Refer to [WT-32. "Self-Diagnosis \(With CONSULT\)"](#) or [WT-13. "Self-Diagnosis \(Without CONSULT\)"](#).

>> GO TO 4.

4.SYMPTOM

Check for symptoms. Refer to [WT-38. "Symptom Table"](#).

>> GO TO 5.

5.MALFUNCTIONING PARTS

Repair or replace the applicable parts.

>> GO TO 6.

6.DRIVE TEST

1. Perform a drive test.
2. Check the low tire pressure warning lamp.

>> GO TO 7.

7.SELF-DIAGNOSIS

Perform self-diagnosis. Refer to [WT-32. "Self-Diagnosis \(With CONSULT\)"](#) or [WT-13. "Self-Diagnosis \(Without CONSULT\)"](#).

Are any DTCs displayed?

- YES >> GO TO 5.
NO >> Inspection End.

INSPECTION AND ADJUSTMENT

< BASIC INSPECTION >

INSPECTION AND ADJUSTMENT

Preliminary Check

INFOID:0000000010711503

NOTE:

The Signal Tech II Tool [– (J-50190)] can be used to perform the following functions. Refer to the Signal Tech II User Guide for additional information.

- Activate and display TPMS transmitter IDs
- Display tire pressure reported by the TPMS transmitter
- Read TPMS DTCs
- Register TPMS transmitter IDs

1. TIRE PRESSURE

Check all tire pressures. Refer to [WT-53, "Tire"](#).

Do tire pressures match specification?

YES >> GO TO 2.

NO >> Adjust tire pressures to specified value.

2. LOW TIRE PRESSURE WARNING LAMP

Check low tire pressure warning lamp activation.

Does the low tire pressure warning lamp activate for one second when ignition switch is turned ON?

YES >> GO TO 3.

NO >> GO TO [WT-39, "Low Tire Pressure Warning Lamp Does Not Come On When Ignition Switch Is Turned On"](#).

3. BCM CONNECTOR

1. Disconnect BCM harness connectors.
2. Check terminals for damage or loose connections.
3. Reconnect harness connectors.

Are BCM connectors damaged or loose?

YES >> Repair or replace damaged parts.

NO >> GO TO 4.

4. TRANSMITTER ACTIVATION TOOL

Check battery in transmitter activation tool.

Is transmitter activation tool battery fully charged?

YES >> Perform self-diagnosis. Refer to [WT-32, "Self-Diagnosis \(With CONSULT\)"](#) or [WT-13, "Self-Diagnosis \(Without CONSULT\)"](#)

NO >> Replace battery in transmitter activation tool.

A
B
C
D
WT
F
G
H
I
J
K
L
M
N
O
P

ID REGISTRATION PROCEDURE

< BASIC INSPECTION >

ID REGISTRATION PROCEDURE

Description

INFOID:000000010711504

This procedure must be performed after replacement of a transmitter, BCM or rotation of the wheels.

Work Procedure

INFOID:000000010711505

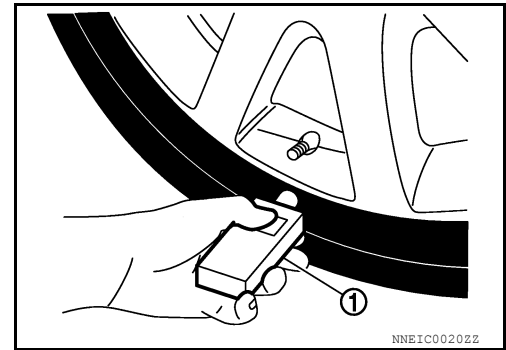
TPMS ID registration can be performed using one of the following procedures:

- Transmitter Activation tool [KV48105501 (J-45295-A)] with CONSULT (preferred method)
- Signal Tech II tool [- (J-50190)] with CONSULT (preferred method)
- Signal Tech II tool [- (J-50190)] without CONSULT
- CONSULT only

TPMS REGISTRATION WITH TRANSMITTER ACTIVATION TOOL [KV48105501 (J-45295-A)]

With CONSULT

1. Turn the ignition switch ON.
2. Using CONSULT, select "WORK SUPPORT" in BCM (AIR PRESSURE MONITOR). Then, select "ID REGIST."
3. Select "Start" on "ID REGIST" screen.
4. Hold the transmitter activation tool [KV48105501 (J-45295-A)] (1) against the side of the left front tire, near the valve stem.
5. With the tool held at a 0 to 15 degree angle to the tire, press and hold the transmitter activation tool button until the indicator lamp turns OFF (approximately 5 seconds).
6. Repeat steps 4 and 5 for the remaining tires in this order: right front, right rear and left rear.



7. When ID registration is complete, check the following pattern at each wheel.

Sequence	ID registration position	Turn signal lamp	CONSULT
1	Front LH	2 blinks	"Yet (red)" ↓ "Done (green)"
2	Front RH		
3	Rear RH		
4	Rear LH		

8. After the ID registration procedure for all wheels is complete, press "End" on the CONSULT to finish ID registration.
9. Test drive the vehicle to ensure that the TPMS lamp is OFF and no warning messages are present.

TPMS REGISTRATION WITH SIGNAL TECH II TOOL [- (J-50190)]

NOTE:

The Signal Tech II must be updated with the newest software version in order to perform the below procedures. The Signal Tech II software updates can only be downloaded from a CONSULT unit with ASIST. Other versions of ASIST will not show the updates.

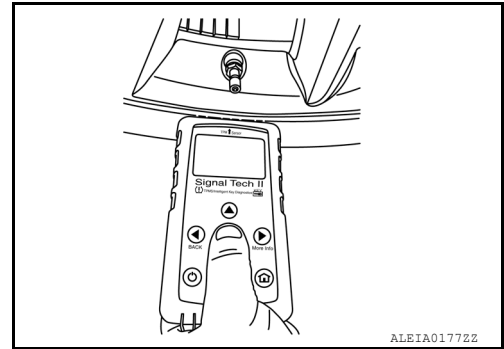
With CONSULT

1. Adjust the tire pressure for all tires to the recommended value. Refer to [WT-53, "Tire"](#).
2. Turn the ignition switch ON.
3. Using CONSULT, select "WORK SUPPORT" in BCM (AIR PRESSURE MONITOR). Then, select "ID REGIST."
4. Select "Start" on "ID REGIST" screen.
5. Turn on the Signal Tech II tool [- (J-50190)].

ID REGISTRATION PROCEDURE

< BASIC INSPECTION >

6. Hold the Signal Tech II against the side of the left front tire, near the valve stem.
7. With the tool held at a 0 to 15 degree angle to the tire, select "Activate Sensor" from the main menu, then press and release the "OK" button to activate the sensor. Once the sensor is activated, the vehicle parking lamps will flash and the sensor ID will appear on the CONSULT screen.
8. Repeat steps 6 and 7 for the remaining tires in this order: right front, right rear and left rear.
9. When ID registration is complete, check the following pattern at each wheel.

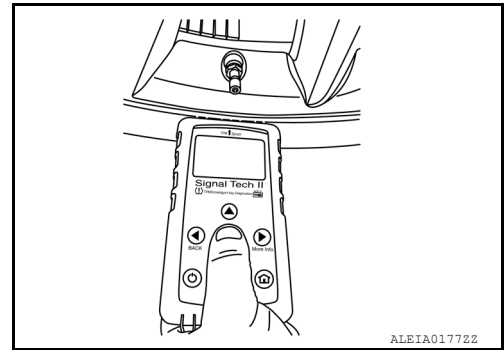


Sequence	ID registration position	Turn signal lamp	CONSULT
1	Front LH	2 blinks	"Yet (red)" ↓ "Done (green)"
2	Front RH		
3	Rear RH		
4	Rear LH		

10. Once all sensors have been activated, select "End" on the CONSULT to finish ID registration.
11. Test drive the vehicle to ensure that the TPMS lamp is OFF and no warning messages are present.

⊗ Without CONSULT

1. Adjust the tire pressure for all tires to the recommended value. Refer to [WT-53, "Tire"](#).
2. Turn on the Signal Tech II tool [- (J-50190)] and select "TPMS Check" from the main menu.
3. Select vehicle model and year.
4. When prompted, hold the Signal Tech II against the side of the left front tire, near the valve stem.
5. With the tool held at a 0 to 15 degree angle to the tire, press and release the "OK" button to activate the sensor. Once the sensor is activated, the tool will sound a tone and the tire pressure will be displayed.
6. Repeat steps 4 and 5 for the remaining tires in this order: right front, right rear and left rear.
7. When prompted, connect the tool to the data link connector. The tool will connect to the BCM, read the VIN, read sensor IDs and check for TPMS DTCs. Along with DTCs detected, one of the following will be displayed next to each wheel:
 - N/A - Not applicable because no ID found by the tool
 - OK - Wheel and sensor are in original position
 - NEW - New ID found compared to BCM
 - RT - Wheel has been rotated
 - Low Press - Low tire pressure
8. If no DTC is present or the repair has been completed, press the "OK" button to register the IDs and clear DTCs.
9. Test drive the vehicle to ensure that the TPMS lamp is OFF and no warning messages are present.
10. Print a Signal Tech II Audit Report for your records. Refer to the Signal Tech II User Guide for instructions.



TPMS REGISTRATION WITH CONSULT ONLY

Ⓟ With CONSULT

1. Adjust the tire pressure for all wheels to match the list below.

Tire position	Tire pressure kPa (kg/cm ² , psi)
Front LH	240 (2.4, 35)
Front RH	220 (2.2, 32)
Rear RH	200 (2.0, 29)
Rear LH	180 (1.8, 26)

ID REGISTRATION PROCEDURE

< BASIC INSPECTION >

2. Turn the ignition switch ON.
3. Using CONSULT, select "WORK SUPPORT" in BCM (AIR PRESSURE MONITOR). Then, select "ID REGIST."
4. Select "Start" on "ID REGIST" screen.
5. Drive the vehicle at a speed greater than 40 km/h (25 MPH) for 3 minutes or more.
6. After ID registration for all wheels is complete, press "End" on the CONSULT to finish ID registration.

ID registration position	CONSULT
Front LH	"Yet (red)" ↓ "Done (green)"
Front RH	
Rear RH	
Rear LH	

7. Adjust the tire pressures for all tires to the recommended value. Refer to [WT-53, "Tire"](#).
8. Test drive the vehicle to ensure that the TPMS lamp is OFF and no warning messages are present.

TPMS

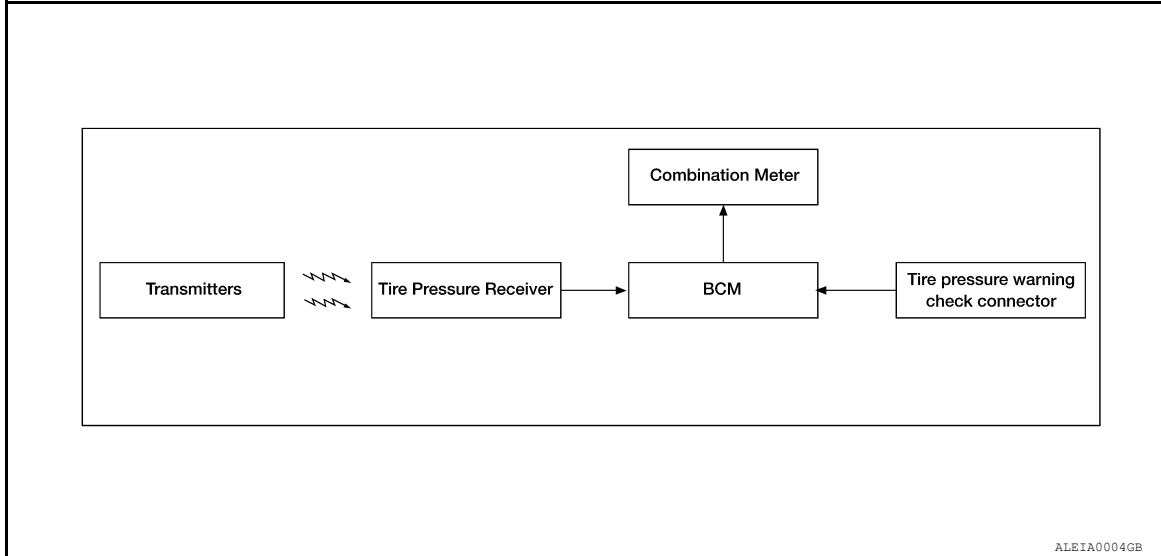
< SYSTEM DESCRIPTION >

SYSTEM DESCRIPTION

TPMS

System Diagram

INFOID:000000010711506



ALEIA0004GB

System Description

INFOID:000000010711507

DESCRIPTION

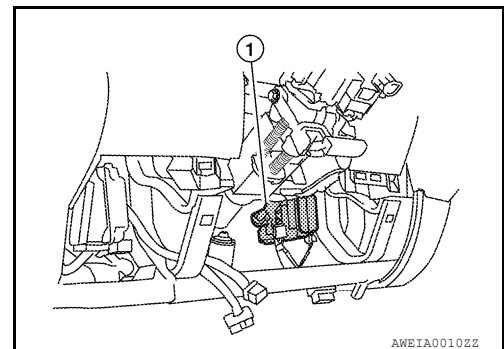
During driving, the tire pressure monitoring system receives the signal transmitted from the transmitter installed in each wheel, and turns on the low tire pressure warning lamp when the tire pressure becomes low. The control unit (BCM) for this system has pressure judgement and self-diagnosis functions.

FUNCTION

When the tire pressure monitoring system detects low inflation pressure or an internal malfunction, the low tire pressure warning lamp in the combination meter comes on. The malfunction is indicated by the low tire pressure warning lamp flashing. A CHECK TIRE PRES warning message will also be displayed in the vehicle information display.

BODY CONTROL MODULE (BCM)

The BCM (1) is shown with the lower instrument panel LH removed. The BCM reads the air pressure signal received by the remote keyless entry receiver, and controls the low tire pressure warning lamp as shown below. It also has a self-diagnosis function to detect a system malfunction.



AWEIA0010ZZ

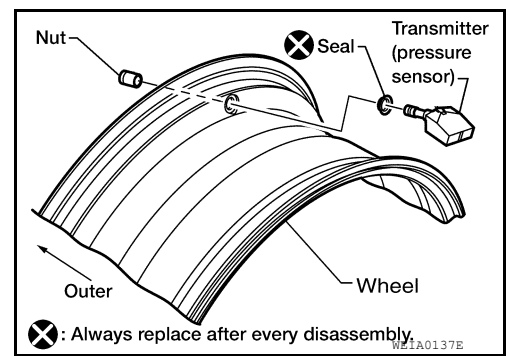
Condition	Low tire pressure warning lamp
System normal	On for 1 second after ignition ON
Tire less than 193 kPa (2.0 kg/cm ² , 28 psi) [Flat tire]	ON
Low tire pressure warning system malfunction	After key ON, flashes once per second for 1 minute, then stays ON

TRANSMITTER

TPMS

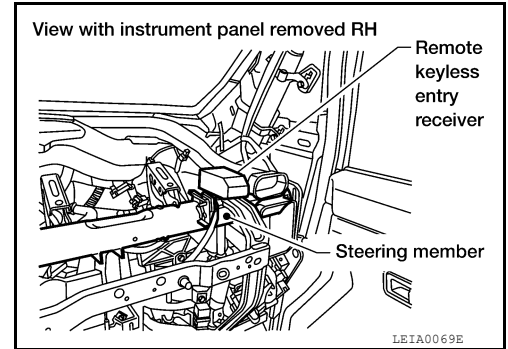
< SYSTEM DESCRIPTION >

A sensor-transmitter integrated with a valve is installed in each wheel, and transmits a detected air pressure signal in the form of a radio wave. The radio signal is received by the remote keyless entry receiver.



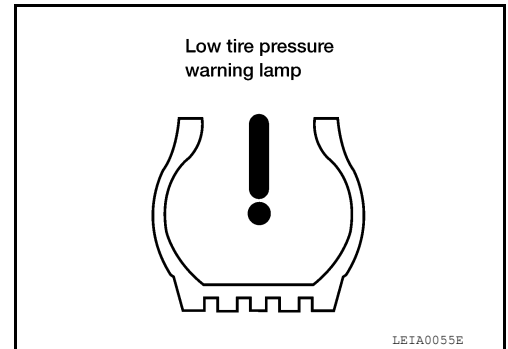
REMOTE KEYLESS ENTRY RECEIVER

The remote keyless entry receiver is shown with the instrument panel RH removed. The remote keyless entry receiver receives the air pressure signal transmitted by the transmitter in each wheel.



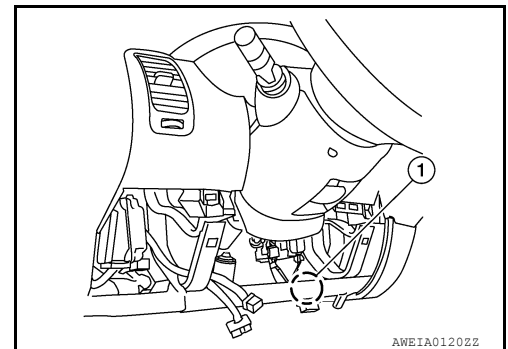
COMBINATION METER

The combination meter receives tire pressure status from the BCM using CAN communication. When a low tire pressure condition is sensed by the BCM, the combination meter low tire pressure warning lamp is activated. A CHECK TIRE PRES warning message will also be displayed in the vehicle information display. Refer to the Owner's Manual for additional information.



TIRE PRESSURE WARNING CHECK CONNECTOR

The tire pressure warning check connector can be grounded in order to initiate self-diagnosis without a CONSULT. Refer to [WT-13. "Self-Diagnosis \(Without CONSULT\)"](#). The tire pressure warning check connector (1) is located behind the lower portion of the instrument panel LH.

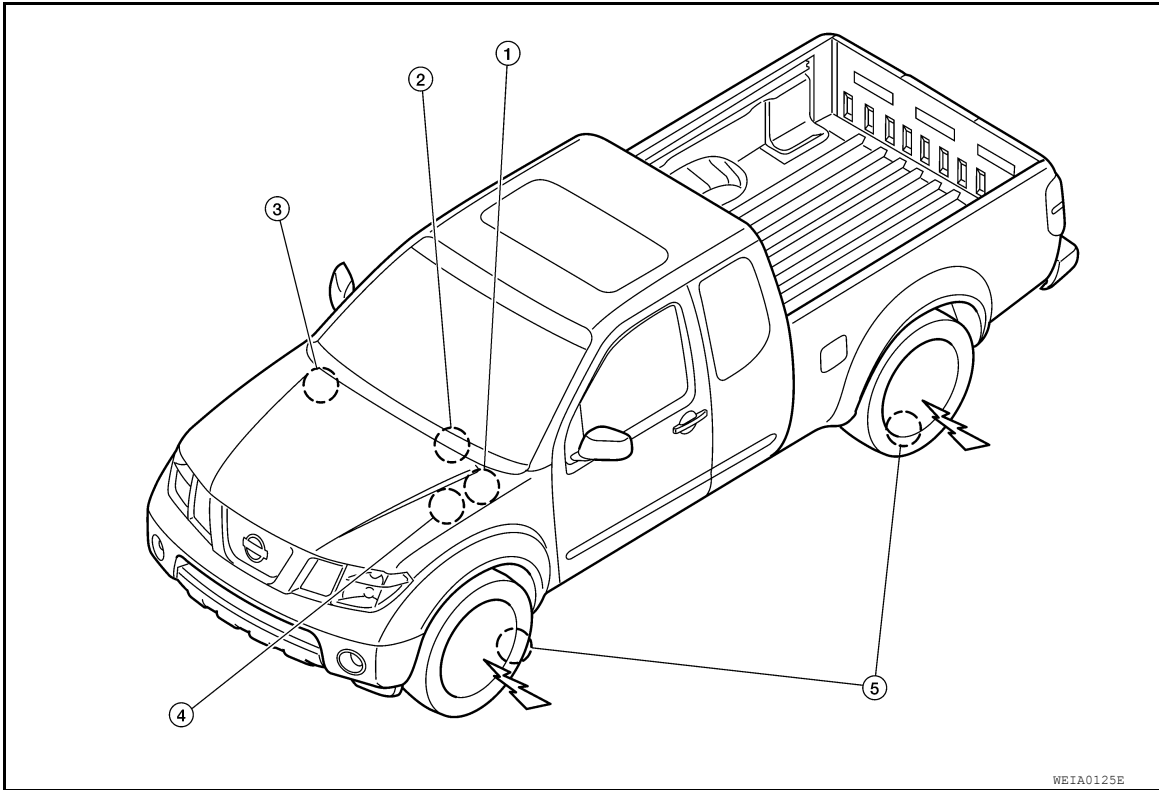


TPMS

< SYSTEM DESCRIPTION >

System Component

INFOID:000000010711508



- | | | |
|---|--------------------------|---------------------------------------|
| 1. BCM M18, M20 | 2. Combination meter M24 | 3. Remote keyless entry receiver M120 |
| 4. Tire pressure warning check connector M123 | 5. Transmitters | |

A
B
C
D
WT
F
G
H
I
J
K
L
M
N
O
P

DIAGNOSIS SYSTEM (BCM)

< SYSTEM DESCRIPTION >

DIAGNOSIS SYSTEM (BCM)

CONSULT Function (BCM - COMMON ITEM)

INFOID:000000011301066

APPLICATION ITEM

CONSULT performs the following functions via CAN communication with BCM.

Direct Diagnostic Mode	Description
ECU Identification	The BCM part number is displayed.
Self Diagnostic Result	The BCM self diagnostic results are displayed.
Data Monitor	The BCM input/output data is displayed in real time.
Active Test	The BCM activates outputs to test components.
Work support	The settings for BCM functions can be changed.
Configuration	<ul style="list-style-type: none"> The vehicle specification can be read and saved. The vehicle specification can be written when replacing BCM.
CAN Diag Support Mntr	The result of transmit/receive diagnosis of CAN communication is displayed.

SYSTEM APPLICATION

BCM can perform the following functions.

System	Sub System	Direct Diagnostic Mode						
		ECU Identification	Self Diagnostic Result	Data Monitor	Active Test	Work support	Configuration	CAN Diag Support Mntr
Door lock	DOOR LOCK			x	x	x		
Rear window defogger	REAR DEFOGGER			x	x			
Warning chime	BUZZER			x	x			
Interior room lamp timer	INT LAMP			x	x	x		
Remote keyless entry system	MULTI REMOTE ENT			x	x	x		
Exterior lamp	HEAD LAMP			x	x	x		
Wiper and washer	WIPER			x	x	x		
Turn signal and hazard warning lamps	FLASHER			x	x			
Air conditioner	AIR CONDITIONER			x				
Combination switch	COMB SW			x				
BCM	BCM	x	x			x	x	x
Immobilizer	IMMU		x	x	x			
Interior room lamp battery saver	BATTERY SAVER			x	x	x		
Vehicle security system	THEFT ALM			x	x	x		
RAP system	RETAINED PWR			x	x	x		
Signal buffer system	SIGNAL BUFFER			x	x			
TPMS	AIR PRESSURE MONITOR		x	x	x	x		
Panic alarm system	PANIC ALARM				x			

CONSULT Function (BCM - AIR PRESSURE MONITOR)

INFOID:000000011301067

NOTE:

DIAGNOSIS SYSTEM (BCM)

< SYSTEM DESCRIPTION >

The Signal Tech II Tool [– (J-50190)] can be used to perform the following functions. Refer to the Signal Tech II User Guide for additional information.

- Activate and display TPMS transmitter IDs
- Display tire pressure reported by the TPMS transmitter
- Read TPMS DTCs
- Register TPMS transmitter IDs

SELF DIAGNOSTIC RESULT

NOTE:

Before performing Self Diagnostic Result, be sure to register the ID, or else the actual malfunction may be different from that displayed on CONSULT.

Refer to [BCS-43. "DTC Index"](#).

DATA MONITOR

Monitor Item	Condition	Specification
VEHICLE SPEED	Drive vehicle.	Vehicle speed (km/h or mph).
AIR PRESS FL	<ul style="list-style-type: none"> • Drive vehicle for a few minutes. <li style="text-align: center;">or • Ignition switch ON and activation tool is transmitting activation signals. 	Tire pressure (kPa, kg/cm ² or psi).
AIR PRESS FR		
AIR PRESS RR		
AIR PRESS RL		
ID REGST FL1	Ignition switch ON.	Registration ID: Green. No registration: Red.
ID REGST FR1		
ID REGST RR1		
ID REGST RL1		
WARNING LAMP	Ignition switch ON.	Low tire pressure warning lamp on: ON. Low tire pressure warning lamp off: OFF.
BUZZER	Ignition switch ON.	Buzzer in combination meter on: ON. Buzzer in combination meter off: OFF.

ACTIVE TEST

Test Item	Description
WARNING LAMP	This test is able to check tire pressure warning lamp operation [Off/On].
ID REGIST WARNING	This test is able to check ID regist warning chime operation [Off/On].
FLAT TIRE WARNING	This test is able to check flat tire warning chime operation [Off/On].
HORN	This test is able to check horn operation [On].
FLASHER	This test is able to check turn signal lamp operation [Off/LH/RH].

WORK SUPPORT

Support Item	Description
ID REGIST	Refer to WT-6. "Description" .
ID READ	The registered ID number is displayed.

Self-Diagnosis (Without CONSULT)

INFOID:000000010711511

NOTE:

The Signal Tech II Tool [– (J-50190)] can be used to perform the following functions. Refer to the Signal Tech II User Guide for additional information.

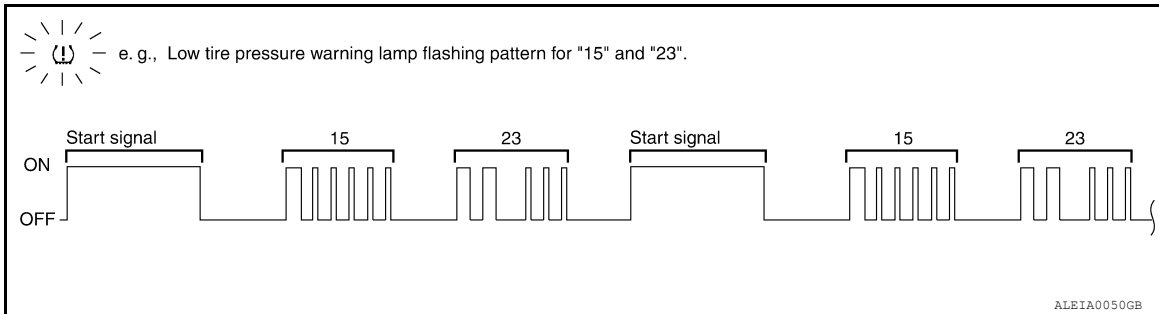
- Activate and display TPMS transmitter IDs
- Display tire pressure reported by the TPMS transmitter
- Read TPMS DTCs
- Register TPMS transmitter IDs

SELF DIAGNOSTIC PROCEDURE (WITHOUT CONSULT)

DIAGNOSIS SYSTEM (BCM)

< SYSTEM DESCRIPTION >

1. Turn ignition switch ON.
2. Ground the tire pressure warning check connector to initiate self diagnosis.
3. Compare the flashing pattern with the flash code chart below.



NOTE:

The system is normal when the low tire pressure warning lamp flashes 5 times and continues repeating. Self-diagnosis results are erased automatically by turning the ignition switch "OFF".

Flash Code	Malfunction part	Reference page
15 16 17 18	Tire pressure dropped below specified value. Refer to WT-9, "System Description" .	—
21 22 23 24	Transmitter no data (FL) Transmitter no data (FR) Transmitter no data (RR) Transmitter no data (RL)	WT-15
31 32 33 34	Transmitter checksum error (FL) Transmitter checksum error (FR) Transmitter checksum error (RR) Transmitter checksum error (RL)	WT-17
35 36 37 38	Transmitter pressure data error (FL) Transmitter pressure data error (FR) Transmitter pressure data error (RR) Transmitter pressure data error (RL)	WT-19
41 42 43 44	Transmitter function code error (FL) Transmitter function code error (FR) Transmitter function code error (RR) Transmitter function code error (RL)	WT-17
45 46 47 48	Transmitter battery voltage low (FL) Transmitter battery voltage low (FR) Transmitter battery voltage low (RR) Transmitter battery voltage low (RL)	WT-17
52	Vehicle speed signal	WT-21
54	Vehicle ignition signal	WT-22

C1708 - C1711 DATA FROM TRANSMITTER NOT BEING RECEIVED

< DTC/CIRCUIT DIAGNOSIS >

DTC/CIRCUIT DIAGNOSIS

C1708 - C1711 DATA FROM TRANSMITTER NOT BEING RECEIVED

Description

INFOID:0000000010711512

Tire pressure data for one or more transmitters is not being received by the BCM.

DTC Logic

INFOID:0000000010711513

NOTE:

The Signal Tech II Tool [– (J-50190)] can be used to perform the following functions. Refer to the Signal Tech II User Guide for additional information.

- Activate and display TPMS transmitter IDs
- Display tire pressure reported by the TPMS transmitter
- Read TPMS DTCs
- Register TPMS transmitter IDs

DTC DETECTION LOGIC

DTC	CONSULT	DTC detecting condition
C1708	[NO - DATA] - FL	Data from FL transmitter cannot be received.
C1709	[NO - DATA] - FR	Data from FR transmitter cannot be received.
C1710	[NO - DATA] - RR	Data from RR transmitter cannot be received.
C1711	[NO - DATA] - RL	Data from RL transmitter cannot be received.

DTC CONFIRMATION PROCEDURE

1.ID REGISTRATION AND VEHICLE DRIVING

1. Carry out ID registration of all transmitters. Refer to [WT-6, "Work Procedure"](#)
2. Drive at a speed of 40 km/h (25 MPH) or more for 3 minutes, and then drive the vehicle at any speed for 10 minutes.
3. Check all tire pressures with CONSULT within 5 minutes.

Does DATA MONITOR ITEM display tire pressure as normal without any warning lamp?

- YES >> Inspection End.
NO >> Refer to [WT-15, "Diagnosis Procedure"](#).

Diagnosis Procedure

INFOID:0000000010711514

NOTE:

The Signal Tech II Tool [– (J-50190)] can be used to perform the following functions. Refer to the Signal Tech II User Guide for additional information.

- Activate and display TPMS transmitter IDs
- Display tire pressure reported by the TPMS transmitter
- Read TPMS DTCs
- Register TPMS transmitter IDs

MALFUNCTION CODE NO. 21, 22, 23 OR 24 (DTC C1708, C1709, C1710 OR C1711)

1.CHECK BCM

Drive for several minutes. Check all tire pressures with CONSULT.

Are all tire pressures displayed as 0 kPa?

- YES >> GO TO 2.
NO >> GO TO 3.

2.CHECK TIRE PRESSURE RECEIVER CONNECTOR

Check tire pressure receiver connector for damage or loose connection.

Is tire pressure receiver connector damaged or loose?

- YES >> Repair or replace tire pressure receiver connector.

C1708 - C1711 DATA FROM TRANSMITTER NOT BEING RECEIVED

< DTC/CIRCUIT DIAGNOSIS >

NO >> Replace BCM, then GO TO 3. Refer to [BCS-51, "Removal and Installation"](#).

3.PERFORM ID REGISTRATION

Carry out ID registration of all transmitters. Refer to [WT-6, "Work Procedure"](#).

Is there a tire that cannot register ID?

YES >> Replace malfunctioning transmitter, then GO TO 5. Refer to [WT-50, "Transmitter \(Pressure Sensor\)"](#).

NO >> GO TO 4.

4.DRIVE VEHICLE

1. Drive at a speed of 40 km/h (25 MPH) or more for several minutes without stopping.
2. Check all tire pressures with CONSULT within 15 minutes after vehicle speed becomes 17 km/h (11 MPH).

Does DATA MONITOR ITEM display tire pressure as normal without any warning lamp?

YES >> Inspection End.

NO >> GO TO 5.

5.ID REGISTRATION AND VEHICLE DRIVING

1. Carry out ID registration of all transmitters. Refer to [WT-6, "Work Procedure"](#)
2. Drive at a speed of 40 km/h (25 MPH) or more for 3 minutes, and then drive the vehicle at any speed for 10 minutes.
3. Check all tire pressures with CONSULT within 5 minutes.

Does DATA MONITOR ITEM display tire pressure as normal without any warning lamp?

YES >> Inspection End.

NO >> Proceed to the inspection applicable to DTC.

Special Repair Requirement

INFOID:000000010711515

Perform preliminary check. Refer to [WT-5, "Preliminary Check"](#).

C1712 - C1715, C1720 - C1723, C1724 - C1727 TRANSMITTER MALFUNCTION

< DTC/CIRCUIT DIAGNOSIS >

C1712 - C1715, C1720 - C1723, C1724 - C1727 TRANSMITTER MALFUNCTION

Description

INFOID:0000000010711516

One or more transmitters are malfunctioning internally.

DTC Logic

INFOID:0000000010711517

NOTE:

The Signal Tech II Tool [– (J-50190)] can be used to perform the following functions. Refer to the Signal Tech II User Guide for additional information.

- Activate and display TPMS transmitter IDs
- Display tire pressure reported by the TPMS transmitter
- Read TPMS DTCs
- Register TPMS transmitter IDs

DTC DETECTION LOGIC

DTC	CONSULT	DTC detecting condition
C1712	[CHECKSUM - ERR] - FL	Checksum data from FL transmitter is malfunctioning.
C1713	[CHECKSUM - ERR] - FR	Checksum data from FR transmitter is malfunctioning.
C1714	[CHECKSUM - ERR] - RR	Checksum data from RR transmitter is malfunctioning.
C1715	[CHECKSUM - ERR] - RL	Checksum data from RL transmitter is malfunctioning.
C1720	[CODE - ERR] - FL	Function code data from FL transmitter is malfunctioning.
C1721	[CODE - ERR] - FR	Function code data from FR transmitter is malfunctioning.
C1722	[CODE - ERR] - RR	Function code data from RR transmitter is malfunctioning.
C1723	[CODE - ERR] - RL	Function code data from RL transmitter is malfunctioning.
C1724	[BATT - VOLT - LOW] - FL	Battery voltage of FL transmitter drops.
C1725	[BATT - VOLT - LOW] - FR	Battery voltage of FR transmitter drops.
C1726	[BATT - VOLT - LOW] - RR	Battery voltage of RR transmitter drops.
C1727	[BATT - VOLT - LOW] - RL	Battery voltage of RL transmitter drops.

DTC CONFIRMATION PROCEDURE

1. DRIVE VEHICLE

1. Drive at a speed of 40 km/h (25 MPH) or more for 3 minutes, and then drive the vehicle at any speed for 10 minutes.
2. Check all tire pressures with CONSULT within 5 minutes.

Does DATA MONITOR ITEM display tire pressure as normal without any warning lamp?

YES >> Inspection End.

NO >> Refer to [WT-17, "Diagnosis Procedure"](#).

Diagnosis Procedure

INFOID:0000000010711518

NOTE:

The Signal Tech II Tool [– (J-50190)] can be used to perform the following functions. Refer to the Signal Tech II User Guide for additional information.

- Activate and display TPMS transmitter IDs
- Display tire pressure reported by the TPMS transmitter
- Read TPMS DTCs
- Register TPMS transmitter IDs

MALFUNCTION CODE NO. 31, 32, 33, 34, 41, 42, 43, 44, 45, 46, 47 OR 48 (DTC C1712, C1713, C1714, C1715, C1720, C1721, C1722, C1723, C1724, C1725, C1726 OR C1727)

1. PERFORM ID REGISTRATION

C1712 - C1715, C1720 - C1723, C1724 - C1727 TRANSMITTER MALFUNCTION

< DTC/CIRCUIT DIAGNOSIS >

1. Carry out ID registration of all transmitters. Refer to [WT-6, "Work Procedure"](#).
2. Drive at a speed of 40 km/h (25 MPH) or more for 3 minutes, and then drive the vehicle at any speed for 10 minutes.

>> GO TO 2.

2. REPLACE TRANSMITTER

1. Check low tire pressure warning lamp again for flashing, replace malfunctioning transmitter. Refer to [WT-50, "Transmitter \(Pressure Sensor\)"](#).
2. Carry out ID registration of all transmitters. Refer to [WT-6, "Work Procedure"](#).

Can ID registration of all transmitters be completed?

YES >> GO TO 3.

NO >> GO TO [WT-15, "Diagnosis Procedure"](#).

3. DRIVE VEHICLE

1. Drive at a speed of 40 km/h (25 MPH) or more for 3 minutes, and then drive the vehicle at any speed for 10 minutes.
2. Check all tire pressures with CONSULT within 5 minutes.

Does DATA MONITOR ITEM display tire pressure as normal without any warning lamp?

YES >> Inspection End.

NO >> Replace malfunctioning transmitter, and perform Step 3 again.

Special Repair Requirement

INFOID:000000010711519

Perform preliminary check. Refer to [WT-5, "Preliminary Check"](#).

C1716 - C1719 TRANSMITTER PRESSURE MALFUNCTION

< DTC/CIRCUIT DIAGNOSIS >

C1716 - C1719 TRANSMITTER PRESSURE MALFUNCTION

Description

INFOID:0000000010711520

Air pressure data from one or more transmitters is out of range.

DTC Logic

INFOID:0000000010711521

NOTE:

The Signal Tech II Tool [– (J-50190)] can be used to perform the following functions. Refer to the Signal Tech II User Guide for additional information.

- Activate and display TPMS transmitter IDs
- Display tire pressure reported by the TPMS transmitter
- Read TPMS DTCs
- Register TPMS transmitter IDs

DTC DETECTION LOGIC

DTC	CONSULT	DTC detecting condition
C1716	[PRESSDATA - ERR] FL	Air pressure data from FL transmitter is malfunctioning.
C1717	[PRESSDATA - ERR] FR	Air pressure data from FR transmitter is malfunctioning.
C1718	[PRESSDATA - ERR] RR	Air pressure data from RR transmitter is malfunctioning.
C1719	[PRESSDATA - ERR] RL	Air pressure data from RL transmitter is malfunctioning.

DTC CONFIRMATION PROCEDURE

1.ID REGISTRATION AND VEHICLE DRIVING

1. Carry out ID registration of all transmitters. Refer to [WT-6, "Work Procedure"](#)
2. Drive at a speed of 40 km/h (25 MPH) or more for 3 minutes, and then drive the vehicle at any speed for 10 minutes.
3. Check all tire pressures with CONSULT within 5 minutes.

Does DATA MONITOR ITEM display tire pressure as normal without any warning lamp?

YES >> Inspection End.

NO >> Refer to [WT-19, "Diagnosis Procedure"](#).

Diagnosis Procedure

INFOID:0000000010711522

NOTE:

The Signal Tech II Tool [– (J-50190)] can be used to perform the following functions. Refer to the Signal Tech II User Guide for additional information.

- Activate and display TPMS transmitter IDs
- Display tire pressure reported by the TPMS transmitter
- Read TPMS DTCs
- Register TPMS transmitter IDs

MALFUNCTION CODE NO. 35, 36, 37 OR 38 (DTC C1716, C1717, C1718 OR C1719)

1.CHECK ALL TIRE PRESSURES

Check all tire pressures. Refer to [WT-53, "Tire"](#).

Are there any tires with pressure of 64 psi or more?

YES >> Adjust tire pressure to specified value.

NO >> GO TO 2.

2.ID REGISTRATION AND VEHICLE DRIVING

1. Carry out ID registration of all transmitters. Refer to [WT-6, "Work Procedure"](#).
2. Drive at a speed of 40 km/h (25 MPH) or more for several minutes without stopping.
3. Check all tire pressures with CONSULT within 15 minutes after vehicle speed becomes 17 km/h (11 MPH).

Does DATA MONITOR ITEM display 64 psi or more?

C1716 - C1719 TRANSMITTER PRESSURE MALFUNCTION

< DTC/CIRCUIT DIAGNOSIS >

- YES >> Replace transmitter. Refer to [WT-50. "Transmitter \(Pressure Sensor\)"](#). GO TO 3.
NO >> GO TO 3.

3.ID REGISTRATION AND VEHICLE DRIVING

1. Carry out ID registration of all transmitters. Refer to [WT-6. "Work Procedure"](#).
2. Drive at a speed of 40 km/h (25 MPH) or more for 3 minutes, and then drive the vehicle at any speed for 10 minutes.
3. Check all tire pressures with CONSULT within 5 minutes.

Does DATA MONITOR ITEM display tire pressure as normal without any warning lamp?

- YES >> Inspection End.
NO >> Proceed to the inspection applicable to DTC.

Special Repair Requirement

INFOID:000000010711523

Perform preliminary check. Refer to [WT-5. "Preliminary Check"](#).

C1729 VEHICLE SPEED SIGNAL

< DTC/CIRCUIT DIAGNOSIS >

C1729 VEHICLE SPEED SIGNAL

Description

INFOID:0000000010711524

The vehicle speed signal is not being detected by the BCM.

DTC Logic

INFOID:0000000010711525

NOTE:

The Signal Tech II Tool [– (J-50190)] can be used to perform the following functions. Refer to the Signal Tech II User Guide for additional information.

- Activate and display TPMS transmitter IDs
- Display tire pressure reported by the TPMS transmitter
- Read TPMS DTCs
- Register TPMS transmitter IDs

DTC DETECTION LOGIC

DTC	CONSULT	DTC detecting condition
C1729	VHCL SPEED SIG ERR	Vehicle speed signal is in error.

DTC CONFIRMATION PROCEDURE

1. CHECK SELF-DIAGNOSTIC RESULTS

1. On SELECT DIAG MODE, select the SELF-DIAG RESULT screen.
2. Check display contents on SELF DIAG RESULT screen.

Is the CAN COMM CIRCUIT displayed in the self-diagnosis display?

- YES >> Refer to [WT-21. "Diagnosis Procedure"](#).
NO >> Inspection end.

Diagnosis Procedure

INFOID:0000000010711526

NOTE:

The Signal Tech II Tool [– (J-50190)] can be used to perform the following functions. Refer to the Signal Tech II User Guide for additional information.

- Activate and display TPMS transmitter IDs
- Display tire pressure reported by the TPMS transmitter
- Read TPMS DTCs
- Register TPMS transmitter IDs

MALFUNCTION CODE NO. 52 (DTC C1729)

1. CHECK SELF-DIAGNOSTIC RESULTS

1. On SELECT DIAG MODE, select the SELF-DIAG RESULT screen.
2. Check display contents on SELF DIAG RESULT screen.

Is the CAN COMM CIRCUIT displayed in the self-diagnosis display?

- YES >> Perform trouble diagnosis for CAN communication system. Refer to [LAN-14. "Trouble Diagnosis Flow Chart"](#).
NO >> Check combination meter. Refer to [MWI-27. "CONSULT Function \(METER/M&A\)"](#).

Special Repair Requirement

INFOID:0000000010711527

Perform preliminary check. Refer to [WT-5. "Preliminary Check"](#).

C1735 IGNITION SIGNAL

< DTC/CIRCUIT DIAGNOSIS >

C1735 IGNITION SIGNAL

Description

INFOID:000000010711528

The BCM monitors the IGN ON signal on the CAN line and compares it to its direct IGN ON signal. When these two signals do not match, the BCM sets C1735.

DTC Logic

INFOID:000000010711529

NOTE:

The Signal Tech II Tool [– (J-50190)] can be used to perform the following functions. Refer to the Signal Tech II User Guide for additional information.

- Activate and display TPMS transmitter IDs
- Display tire pressure reported by the TPMS transmitter
- Read TPMS DTCs
- Register TPMS transmitter IDs

DTC DETECTION LOGIC

DTC	CONSULT	DTC detecting condition
C1735	IGNITION SIGNAL LINE - BCM/TPMS	BCM has detected a mismatch between IGN ON signals.

DTC CONFIRMATION PROCEDURE

1. CHECK SELF-DIAGNOSTIC RESULTS

1. On SELECT DIAG MODE, select the SELF-DIAG RESULT screen.
2. Check display contents on SELF DIAG RESULT screen.

Is C1735 displayed in the self-diagnosis display?

- YES >> Refer to [WT-22, "Diagnosis Procedure"](#).
NO >> Inspection End.

Diagnosis Procedure

INFOID:000000010711530

NOTE:

The Signal Tech II Tool [– (J-50190)] can be used to perform the following functions. Refer to the Signal Tech II User Guide for additional information.

- Activate and display TPMS transmitter IDs
- Display tire pressure reported by the TPMS transmitter
- Read TPMS DTCs
- Register TPMS transmitter IDs

MALFUNCTION CODE NO. 54 (DTC C1735)

1. CAN IGNITION SIGNAL

Check BCM IGN RLY signal with CONSULT. Refer to [BCS-34, "Reference Value"](#).

Are the inspection results normal with the ignition switch ON?

- YES >> GO TO 2.
NO >> Check CAN system. Refer to [LAN-14, "Trouble Diagnosis Flow Chart"](#).

2. BCM POWER SUPPLY

Check BCM power supply (ignition ON). Refer to [BCS-29, "Diagnosis Procedure"](#).

Is the power supply with the ignition switch ON normal?

- YES >> GO TO 3.
NO >> Repair power supply as necessary.

3. DRIVE VEHICLE

Clear DTC and then test drive the vehicle and check the low tire pressure warning lamp.

Does the vehicle operate without any low tire pressure warning lamp?

- YES >> Inspection End.
NO >> Replace BCM. Refer to [BCS-51, "Removal and Installation"](#).

C1735 IGNITION SIGNAL

< DTC/CIRCUIT DIAGNOSIS >

Special Repair Requirement

INFOID:0000000010711531

Perform preliminary check. Refer to [WT-5. "Preliminary Check"](#).

A

B

C

D

WT

F

G

H

I

J

K

L

M

N

O

P

BCM (BODY CONTROL MODULE)

< ECU DIAGNOSIS INFORMATION >

ECU DIAGNOSIS INFORMATION

BCM (BODY CONTROL MODULE)

Reference Value

INFOID:000000011301071

NOTE:

The Signal Tech II Tool [– (J-50190)] can be used to perform the following functions. Refer to the Signal Tech II User Guide for additional information.

- Activate and display TPMS transmitter IDs
- Display tire pressure reported by the TPMS transmitter
- Read TPMS DTCs
- Register TPMS transmitter IDs
- Test remote keyless entry keyfob relative signal strength

VALUES ON THE DIAGNOSIS TOOL

Monitor Item	Condition	Value/Status
ACC ON SW	Ignition switch OFF or ON	Off
	Ignition switch ACC	On
AIR COND SW	A/C switch OFF	Off
	A/C switch ON	On
AIR PRESS FL	Front left tire air pressure value	kPa, kg/cm ² , psi
AIR PRESS FR	Front right tire air pressure value	kPa, kg/cm ² , psi
AIR PRESS RL	Rear left tire air pressure value	kPa, kg/cm ² , psi
AIR PRESS RR	Rear right tire air pressure value	kPa, kg/cm ² , psi
AUTO LIGHT SW	Lighting switch OFF	Off
	Lighting switch AUTO	On
BRAKE SW	Brake pedal released	Off
	Brake pedal applied	On
BUCKLE SW	Seat belt buckle unfastened	Off
	Seat belt buckle fastened	On
BUZZER	Buzzer in combination meter OFF	Off
	Buzzer in combination meter ON	On
CARGO LAMP SW	Cargo lamp switch OFF	Off
	Cargo lamp switch ON	On
CDL LOCK SW	Door lock/unlock switch does not operate	Off
	Press door lock/unlock switch to the LOCK side	On
CDL UNLOCK SW	Door lock/unlock switch does not operate	Off
	Press door lock/unlock switch to the UNLOCK side	On
DOOR SW-AS	Front door RH closed	Off
	Front door RH opened	On
DOOR SW-DR	Front door LH closed	Off
	Front door LH opened	On
DOOR SW-RL	Rear door LH closed	Off
	Rear door LH opened	On
DOOR SW-RR	Rear door RH closed	Off
	Rear door RH opened	On

BCM (BODY CONTROL MODULE)

< ECU DIAGNOSIS INFORMATION >

Monitor Item	Condition	Value/Status	
FAN ON SIG	Blower motor fan switch OFF	Off	A
	Blower motor fan switch ON	On	
FR FOG SW	Front fog lamp switch OFF	Off	B
	Front fog lamp switch ON	On	
FR WASHER SW	Front washer switch OFF	Off	C
	Front washer switch ON	On	
FR WIPER LOW	Front wiper switch OFF	Off	
	Front wiper switch LO	On	D
FR WIPER HI	Front wiper switch OFF	Off	
	Front wiper switch HI	On	
FR WIPER INT	Front wiper switch OFF	Off	WT
	Front wiper switch INT	On	
FR WIPER STOP	Any position other than front wiper stop position	Off	F
	Front wiper stop position	On	
HAZARD SW	When hazard switch is not pressed	Off	
	When hazard switch is pressed	On	G
HEAD LAMP SW 1	Headlamp switch OFF	Off	
	Headlamp switch 1st	On	H
HEAD LAMP SW 2	Headlamp switch OFF	Off	
	Headlamp switch 1st	On	I
HI BEAM SW	High beam switch OFF	Off	
	High beam switch HI	On	J
ID REGST FL1	ID registration of front left tire incomplete	YET	
	ID registration of front left tire complete	DONE	K
ID REGST FR1	ID registration of front right tire incomplete	YET	
	ID registration of front right tire complete	DONE	L
ID REGST RL1	ID registration of rear left tire incomplete	YET	
	ID registration of rear left tire complete	DONE	M
ID REGST RR1	ID registration of rear right tire incomplete	YET	
	ID registration of rear right tire complete	DONE	N
IGN ON SW	Ignition switch OFF or ACC	Off	
	Ignition switch ON	On	O
IGN SW CAN	Ignition switch OFF or ACC	Off	
	Ignition switch ON	On	P
INT VOLUME	Wiper intermittent dial is in a dial position 1 - 7	1 - 7	
KEY CYL LK-SW	Door key cylinder LOCK position	Off	
	Door key cylinder other than LOCK position	On	
KEY CYL UN-SW	Door key cylinder UNLOCK position	Off	
	Door key cylinder other than UNLOCK position	On	
KEY ON SW	Mechanical key is removed from key cylinder	Off	
	Mechanical key is inserted to key cylinder	On	
KEYLESS LOCK	LOCK button of key fob is not pressed	Off	
	LOCK button of key fob is pressed	On	

BCM (BODY CONTROL MODULE)

< ECU DIAGNOSIS INFORMATION >

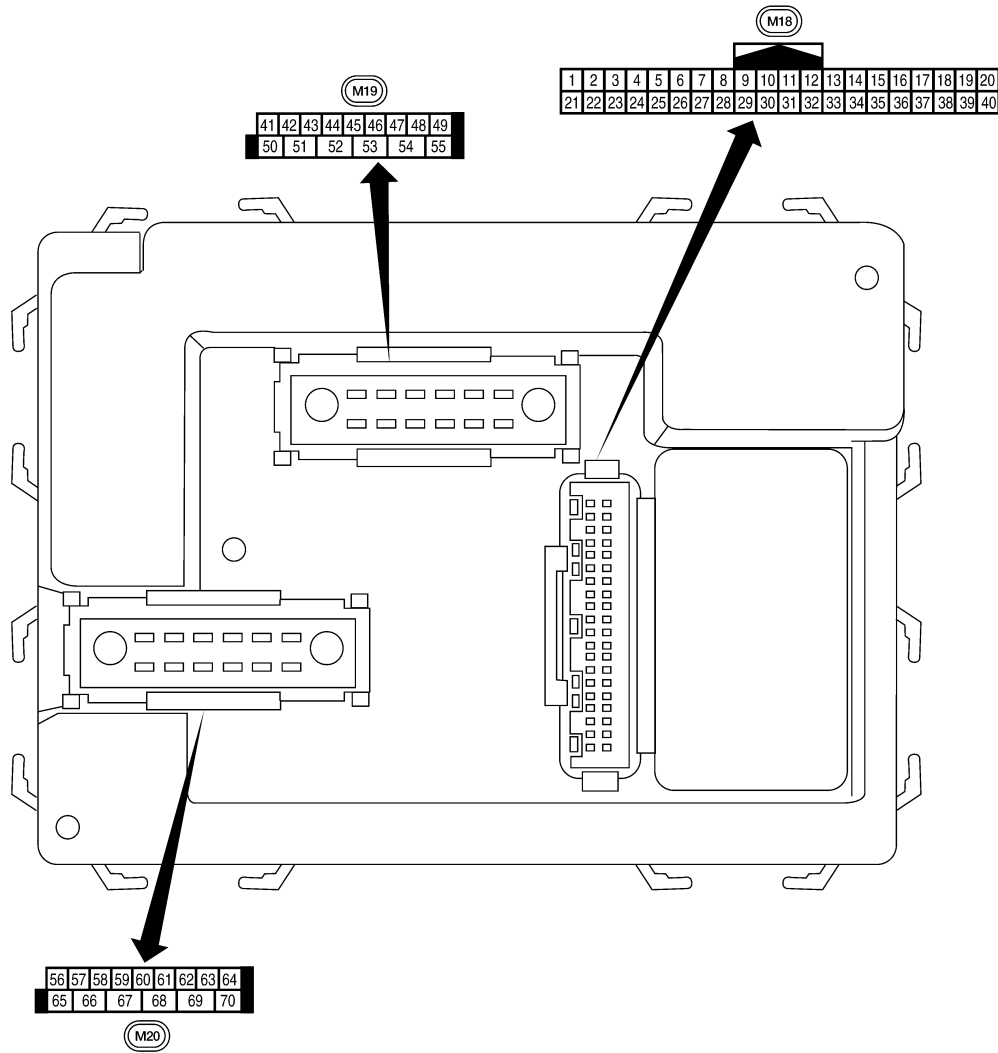
Monitor Item	Condition	Value/Status
KEYLESS PANIC	PANIC button of key fob is not pressed	Off
	PANIC button of key fob is pressed	On
KEYLESS UNLOCK	UNLOCK button of key fob is not pressed	Off
	UNLOCK button of key fob is pressed	On
LIGHT SW 1ST	Lighting switch OFF	Off
	Lighting switch 1st	On
OIL PRESS SW	<ul style="list-style-type: none"> • Ignition switch OFF or ACC • Engine running 	Off
	Ignition switch ON	On
OPTICAL SENSOR	Bright outside of the vehicle	Close to 5V
	Dark outside of the vehicle	Close to 0V
PASSING SW	Other than lighting switch PASS	Off
	Lighting switch PASS	On
REAR DEF SW	Rear window defogger switch OFF	Off
	Rear window defogger switch ON	On
TURN SIGNAL L	Turn signal switch OFF	Off
	Turn signal switch LH	On
TURN SIGNAL R	Turn signal switch OFF	Off
	Turn signal switch RH	On
VEHICLE SPEED	While driving	Equivalent to speedometer reading
WARNING LAMP	Low tire pressure warning lamp in combination meter OFF	Off
	Low tire pressure warning lamp in combination meter ON	On

BCM (BODY CONTROL MODULE)

< ECU DIAGNOSIS INFORMATION >

Terminal Layout

INFOID:000000011301072



A
B
C
D
WT
F
G
H
I
J
K
L
M
N
O
P


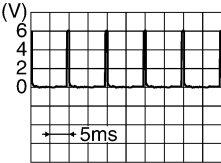

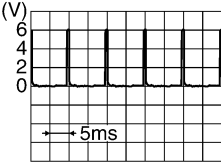
Physical Values

LIIA2443E

INFOID:000000011301073

BCM (BODY CONTROL MODULE)

< ECU DIAGNOSIS INFORMATION >

Terminal	Wire color	Item	Signal input/output	Measuring condition		Reference value or waveform (Approx.)
				Ignition switch	Operation or condition	
1	BR	Ignition keyhole illumination	Output	OFF	Door is locked (SW OFF)	Battery voltage
					Door is unlocked (SW ON)	0V
2	P	Combination switch input 5	Input	ON	Lighting, turn, wiper OFF Wiper dial position 4	 <small>SKIA5291E</small>
3	SB	Combination switch input 4	Input	ON	Lighting, turn, wiper OFF Wiper dial position 4	 <small>SKIA5292E</small>
4	V	Combination switch input 3	Input	ON	Lighting, turn, wiper OFF Wiper dial position 4	 <small>SKIA5291E</small>
5	L	Combination switch input 2	Input	ON	Lighting, turn, wiper OFF Wiper dial position 4	 <small>SKIA5292E</small>
6	R	Combination switch input 1				
7	GR	Front door lock assembly LH (key cylinder switch) unlock	Input	OFF	ON (open, 2nd turn)	Momentary 1.5V
8	SB	Front door lock assembly LH (key cylinder switch) lock			OFF (closed)	0V
			On (open)	Momentary 1.5V		
9	LG	Brake sw	Input	OFF	OFF (brake pedal is not depressed)	0V
					ON (brake pedal is depressed)	Battery voltage
11	G/B	Ignition switch (ACC or ON)	Input	ACC or ON	Ignition switch ACC or ON	Battery voltage
12	LG	Front door switch RH (All)	Input	OFF	ON (open)	0V
		Rear door switch upper RH (King Cab)			OFF (closed)	Battery voltage
		Rear door switch lower RH (King Cab)				

BCM (BODY CONTROL MODULE)

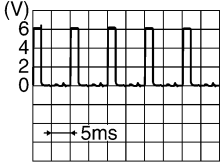
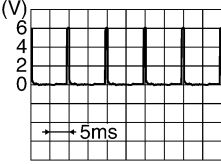
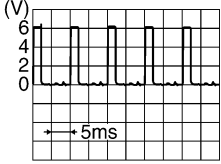
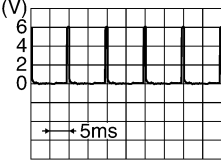
< ECU DIAGNOSIS INFORMATION >

Terminal	Wire color	Item	Signal input/output	Measuring condition		Reference value or waveform (Approx.)
				Ignition switch	Operation or condition	
13	L	Rear door switch RH (Crew Cab)	Input	OFF	ON (open)	0V
					OFF (closed)	Battery voltage
15	W	Tire pressure warning check connector	Input	OFF	—	5V
18	BR	Remote keyless entry receiver and optical sensor (Ground)	Output	OFF	—	0V
19	V	Remote keyless entry receiver (power supply)	Output	OFF	Ignition switch OFF	<p style="text-align: right; font-size: small;">LIIA1893E</p>
20	G	Remote keyless entry receiver signal (Signal)	Input	OFF	Stand-by (keyfob buttons released)	<p style="text-align: right; font-size: small;">LIIA1894E</p>
					When remote keyless entry receiver receives signal from keyfob (keyfob buttons pressed)	<p style="text-align: right; font-size: small;">LIIA1895E</p>
21	GR	NATS antenna amp.	Input	OFF → ON	Ignition switch (OFF → ON)	Just after turning ignition switch ON: Pointer of tester should move.
23	G	Security indicator lamp	Output	OFF	Goes OFF → illuminates (Every 2.4 seconds)	Battery voltage → 0V
25	BR	NATS antenna amp.	Input	OFF → ON	Ignition switch (OFF → ON)	Just after turning ignition switch ON: Pointer of tester should move.
27	W	Compressor ON signal	Input	ON	A/C switch OFF	5V
					A/C switch ON	0V
28	R	Front blower monitor	Input	ON	Front blower motor OFF	Battery voltage
					Front blower motor ON	0V
29	G	Hazard switch	Input	OFF	ON	0V
					OFF	5V
31	GR	Cargo lamp switch	Input	OFF	ON	0V
					OFF	Battery voltage

A
B
C
D
WT
F
G
H
I
J
K
L
M
N
O
P

BCM (BODY CONTROL MODULE)

< ECU DIAGNOSIS INFORMATION >

Terminal	Wire color	Item	Signal input/output	Measuring condition		Reference value or waveform (Approx.)
				Ignition switch	Operation or condition	
32	BG	Combination switch output 5	Output	ON	Lighting, turn, wiper OFF Wiper dial position 4	 <p style="text-align: right; font-size: small;">SKIA5291E</p>
33	GR	Combination switch output 4	Output	ON	Lighting, turn, wiper OFF Wiper dial position 4	 <p style="text-align: right; font-size: small;">SKIA5292E</p>
34	G	Combination switch output 3	Output	ON	Lighting, turn, wiper OFF Wiper dial position 4	 <p style="text-align: right; font-size: small;">SKIA5291E</p>
35	BR	Combination switch output 2	Output	ON	Lighting, turn, wiper OFF Wiper dial position 4	 <p style="text-align: right; font-size: small;">SKIA5292E</p>
36	LG	Combination switch output 1				
37	B	Key switch	Input	OFF	Key inserted	Battery voltage
					Key removed	0V
38	W/R	Ignition switch (ON)	Input	ON	—	Battery voltage
39	L	CAN high	—	—	—	—
40	P	CAN low	—	—	—	—
41	Y	Rear window defogger switch	Input	ON	Rear window defogger switch ON	0V
					Rear window defogger switch OFF	5V
45	V	Lock switch	Input	OFF	ON (lock)	0V
					OFF	Battery voltage
46	LG	Unlock switch	Input	OFF	ON (unlock)	0V
					OFF	Battery voltage
47	GR	Front door switch LH (All)	Input	OFF	ON (open)	0V
		Rear door switch upper LH (King Cab)			OFF (closed)	Battery voltage
		Rear door switch lower LH (King Cab)				

BCM (BODY CONTROL MODULE)

< ECU DIAGNOSIS INFORMATION >

Terminal	Wire color	Item	Signal input/output	Measuring condition		Reference value or waveform (Approx.)	
				Ignition switch	Operation or condition		
48	P	Rear door switch LH (Crew Cab)	Input	OFF	ON (open)	0V	
					OFF (closed)	Battery voltage	
50	P	Cargo lamp	Output	OFF	Any door open (ON)	0V	
					All doors closed (OFF)	Battery voltage	
51	BG	Trailer turn signal (right)	Output	ON	Turn right ON	<p style="text-align: right; font-size: small;">SKIA3009J</p>	
52	LG	Trailer turn signal (left)	Output	ON	Turn left ON	<p style="text-align: right; font-size: small;">SKIA3009J</p>	
56	R/Y	Battery saver output	Output	OFF	10 minutes after ignition switch is turned OFF	0V	
				ON	—	Battery voltage	
57	R/Y	Battery power supply	Input	—	—	Battery voltage	
58	W	Optical sensor	Input	ON	When optical sensor is illuminated	3.1V or more	
					When optical sensor is not illuminated	0.6V or less	
59	GR	Front door lock assembly LH (unlock)	Output	OFF	OFF (neutral)	0V	
					ON (unlock)	Battery voltage	
60	LG	Turn signal (left)	Output	ON	Turn left ON	<p style="text-align: right; font-size: small;">SKIA3009J</p>	
61	G	Turn signal (right)	Output	ON	Turn right ON	<p style="text-align: right; font-size: small;">SKIA3009J</p>	
63	BR	Interior room/map lamp	Output	OFF	Any door switch	ON (open)	0V
					OFF (closed)	Battery voltage	
65	V	All door lock actuators (lock)	Output	OFF	OFF (neutral)	0V	
					ON (lock)	Battery voltage	

A
B
C
D
WT
F
G
H
I
J
K
L
M
N
O
P

BCM (BODY CONTROL MODULE)

< ECU DIAGNOSIS INFORMATION >

Terminal	Wire color	Item	Signal input/output	Measuring condition		Reference value or waveform (Approx.)
				Ignition switch	Operation or condition	
66	L	Front door lock actuator RH, rear door lock actuators LH/RH (unlock)	Output	OFF	OFF (neutral)	0V
					ON (unlock)	Battery voltage
67	B	Ground	Input	ON	—	0V
68 ¹	O	Power window power supply (RAP)	Output	—	Ignition switch ON	Battery voltage
					Within 45 seconds after ignition switch OFF	Battery voltage
					More than 45 seconds after ignition switch OFF	0V
					When front door LH or RH is open or power window timer operates	0V
68 ²	SB	Power window power supply (RAP)	Output	—	Ignition switch ON	Battery voltage
					Within 45 seconds after ignition switch OFF	Battery voltage
					More than 45 seconds after ignition switch OFF	0V
					When front door LH or RH is open or power window timer operates	0V
69	P	Power window power supply (BAT)	Output	OFF	—	Battery voltage
70	W	Battery power supply	Input	OFF	—	Battery voltage

1: King cab

2: Crew cab

Self-Diagnosis (With CONSULT)

INFOID:000000010711535

NOTE:

The Signal Tech II Tool [– (J-50190)] can be used to perform the following functions. Refer to the Signal Tech II User Guide for additional information.

- Activate and display TPMS transmitter IDs
- Display tire pressure reported by the TPMS transmitter
- Read TPMS DTCs
- Register TPMS transmitter IDs

FUNCTION

Self-Diagnostic Results Mode

Diagnostic item	Diagnostic item is detected when ...	Reference page
LOW - PRESSURE - FL [C1704] LOW - PRESSURE - FR [C1705] LOW - PRESSURE - RR [C1706] LOW - PRESSURE - RL [C1707]	Tire pressures dropped below specified value. Refer to WT-9 , " System Description ".	—
[NO-DATA] - FL [C1708] [NO-DATA] - FR [C1709] [NO-DATA] - RR [C1710] [NO-DATA] - RL [C1711]	Data from FL transmitter cannot be received. Data from FR transmitter cannot be received. Data from RR transmitter cannot be received. Data from RL transmitter cannot be received.	WT-15
[CHECKSUM- ERR] - FL [C1712] [CHECKSUM- ERR] - FR [C1713] [CHECKSUM- ERR] - RR [C1714] [CHECKSUM- ERR] - RL [C1715]	Checksum data from FL transmitter is malfunctioning. Checksum data from FR transmitter is malfunctioning. Checksum data from RR transmitter is malfunctioning. Checksum data from RL transmitter is malfunctioning.	WT-17

BCM (BODY CONTROL MODULE)

< ECU DIAGNOSIS INFORMATION >

Diagnostic item	Diagnostic item is detected when ...	Reference page
[PRESSDATA- ERR] - FL [C1716] [PRESSDATA- ERR] - FR [C1717] [PRESSDATA- ERR] - RR [C1718] [PRESSDATA- ERR] - RL [C1719]	Air pressure data from FL transmitter is malfunctioning. Air pressure data from FR transmitter is malfunctioning. Air pressure data from RR transmitter is malfunctioning. Air pressure data from RL transmitter is malfunctioning.	WT-19
[CODE- ERR] - FL [C1720] [CODE- ERR] - FR [C1721] [CODE- ERR] - RR [C1722] [CODE- ERR] - RL [C1723]	Function code data from FL transmitter is malfunctioning. Function code data from FR transmitter is malfunctioning. Function code data from RR transmitter is malfunctioning. Function code data from RL transmitter is malfunctioning.	WT-17
[BATT - VOLT - LOW] - FL [C1724] [BATT - VOLT - LOW] - FR [C1725] [BATT - VOLT - LOW] - RR [C1726] [BATT - VOLT - LOW] - RL [C1727]	Battery voltage of FL transmitter drops. Battery voltage of FR transmitter drops. Battery voltage of RR transmitter drops. Battery voltage of RL transmitter drops.	WT-17
VHCL_SPEED_SIG_ERR [C1729]	Vehicle speed signal is in error.	WT-21
IGN_CIRCUIT_OPEN [C1735]	Vehicle ignition signal is in error.	WT-22

NOTE:

Before performing the self-diagnosis, be sure to register the ID or else the actual malfunction location may be different from that displayed on CONSULT.

Self-Diagnosis (Without CONSULT)

INFOID:000000010711536

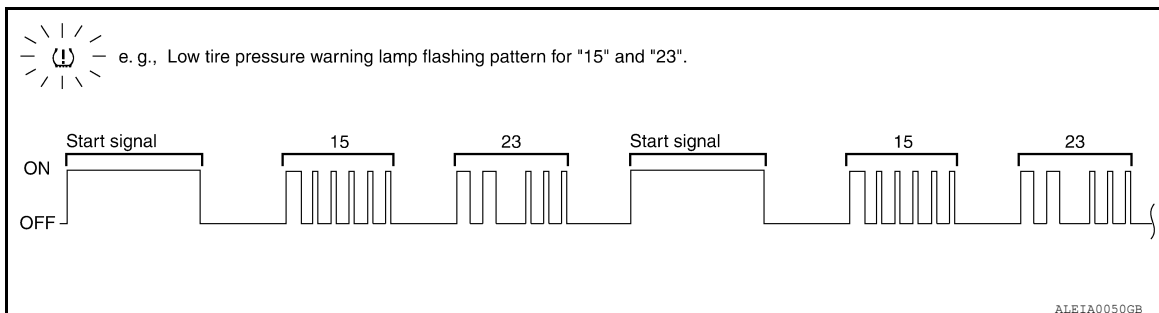
NOTE:

The Signal Tech II Tool [– (J-50190)] can be used to perform the following functions. Refer to the Signal Tech II User Guide for additional information.

- Activate and display TPMS transmitter IDs
- Display tire pressure reported by the TPMS transmitter
- Read TPMS DTCs
- Register TPMS transmitter IDs

SELF DIAGNOSTIC PROCEDURE (WITHOUT CONSULT)

1. Turn ignition switch ON.
2. Ground the tire pressure warning check connector to initiate self diagnosis.
3. Compare the flashing pattern with the flash code chart below.



NOTE:

The system is normal when the low tire pressure warning lamp flashes 5 times and continues repeating. Self-diagnosis results are erased automatically by turning the ignition switch "OFF".

Flash Code	Malfunction part	Reference page
15 16 17 18	Tire pressure dropped below specified value. Refer to WT-9, "System Description" .	—
21 22 23 24	Transmitter no data (FL) Transmitter no data (FR) Transmitter no data (RR) Transmitter no data (RL)	WT-15

BCM (BODY CONTROL MODULE)

< ECU DIAGNOSIS INFORMATION >

Flash Code	Malfunction part	Reference page
31	Transmitter checksum error (FL)	WT-17
32	Transmitter checksum error (FR)	
33	Transmitter checksum error (RR)	
34	Transmitter checksum error (RL)	
35	Transmitter pressure data error (FL)	WT-19
36	Transmitter pressure data error (FR)	
37	Transmitter pressure data error (RR)	
38	Transmitter pressure data error (RL)	
41	Transmitter function code error (FL)	WT-17
42	Transmitter function code error (FR)	
43	Transmitter function code error (RR)	
44	Transmitter function code error (RL)	
45	Transmitter battery voltage low (FL)	WT-17
46	Transmitter battery voltage low (FR)	
47	Transmitter battery voltage low (RR)	
48	Transmitter battery voltage low (RL)	
52	Vehicle speed signal	WT-21
54	Vehicle ignition signal	WT-22

TIRE PRESSURE MONITORING SYSTEM

< WIRING DIAGRAM >

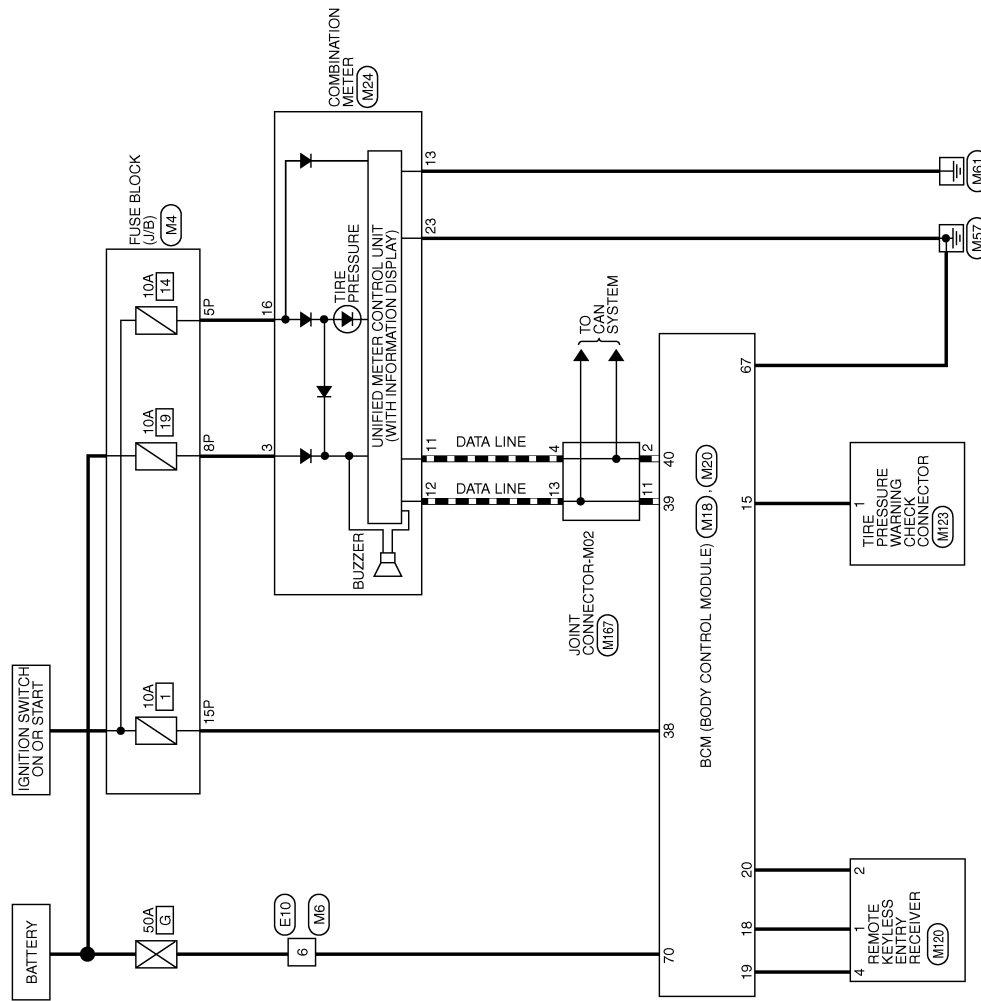
WIRING DIAGRAM

TIRE PRESSURE MONITORING SYSTEM

Wiring Diagram

INFOID:000000010711537

TIRE PRESSURE MONITORING SYSTEM



ABEWA0106GB

A
B
C
D
WT
F
G
H
I
J
K
L
M
N
O
P

TIRE PRESSURE MONITORING SYSTEM

< WIRING DIAGRAM >

TIRE PRESSURE MONITORING SYSTEM CONNECTORS

Connector No.	M4
Connector Name	FUSE BLOCK (J/B)
Connector Color	WHITE



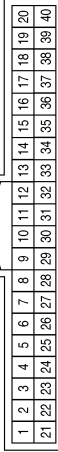
Terminal No.	Color of Wire	Signal Name
5P	W/G	-
8P	R/Y	-
15P	W/R	-

Connector No.	M6
Connector Name	WIRE TO WIRE
Connector Color	WHITE



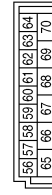
Terminal No.	Color of Wire	Signal Name
6	W	-

Connector No.	M18
Connector Name	BCM (BODY CONTROL MODULE)
Connector Color	WHITE



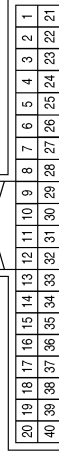
Terminal No.	Color of Wire	Signal Name
15	W	TPMS MODE TRIGGER SW
18	BR	KEYLESS & AUTO LIGHT SENSOR GND
19	V	KEYLESS TUNER POWER SUPPLY OUTPUT
20	G	KEYLESS TUNER SIGNAL
38	W/R	IGN SW
39	L	CAN-H
40	P	CAN-L

Connector No.	M20
Connector Name	BCM (BODY CONTROL MODULE)
Connector Color	BLACK



Terminal No.	Color of Wire	Signal Name
67	B	GND (POWER)
70	W	BAT (F/L)

Connector No.	M24
Connector Name	COMBINATION METER
Connector Color	WHITE

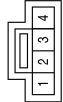


Terminal No.	Color of Wire	Signal Name
3	R/Y	BATTERY
11	P	CAN-L
12	L	CAN-H
13	GR	GROUND
16	W/G	RUN START
23	B	POWER GND

TIRE PRESSURE MONITORING SYSTEM

< WIRING DIAGRAM >

Connector No.	M120
Connector Name	REMOTE KEYLESS ENTRY RECEIVER
Connector Color	WHITE



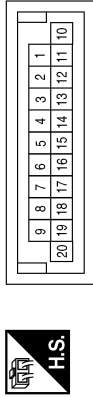
Terminal No.	Color of Wire	Signal Name
1	BR	-
2	G	-
4	V	-

Connector No.	M123
Connector Name	TIRE PRESSURE WARNING CHECK CONNECTOR
Connector Color	WHITE



Terminal No.	Color of Wire	Signal Name
1	W	-

Connector No.	M167
Connector Name	JOINT CONNECTOR-M02
Connector Color	BLUE



Terminal No.	Color of Wire	Signal Name
2	P	-
4	P	-
11	L	-
13	L	-

Connector No.	E10
Connector Name	WIRE TO WIRE
Connector Color	WHITE



Terminal No.	Color of Wire	Signal Name
6	W	-

A
B
C
D
WT
F
G
H
I
J
K
L
M
N
O
P

TPMS

< SYMPTOM DIAGNOSIS >

SYMPTOM DIAGNOSIS

TPMS

Symptom Table

INFOID:0000000010711538

Symptom	Reference
Low tire pressure warning lamp does not come on when ignition switch is turned ON.	WT-39
Low tire pressure warning lamp stays on when ignition switch is turned ON.	WT-40
Low tire pressure warning lamp flashes when ignition switch is turned ON.	WT-41
Hazard warning lamps flash when ignition switch is turned ON.	WT-42
ID registration cannot be completed.	WT-43
NVH troubleshooting chart.	WT-44

LOW TIRE PRESSURE WARNING LAMP DOES NOT TURN ON

< SYMPTOM DIAGNOSIS >

LOW TIRE PRESSURE WARNING LAMP DOES NOT TURN ON

Low Tire Pressure Warning Lamp Does Not Come On When Ignition Switch Is Turned On

INFOID:000000010711539

NOTE:

The Signal Tech II Tool [– (J-50190)] can be used to perform the following functions. Refer to the Signal Tech II User Guide for additional information.

- Activate and display TPMS transmitter IDs
- Display tire pressure reported by the TPMS transmitter
- Read TPMS DTCs
- Register TPMS transmitter IDs

DIAGNOSTIC PROCEDURE

1. SELF-DIAGNOSTIC RESULT CHECK

Using CONSULT, check display contents of BCM in SELF-DIAGNOSIS.

Is CAN COMM CIRCUIT displayed in the self-diagnosis display items?

- YES >> Malfunction in CAN communication system. Refer to [LAN-14, "Trouble Diagnosis Flow Chart"](#).
NO >> GO TO 2.

2. CHECK COMBINATION METER

Check combination meter operation. Refer to [MWI-27, "CONSULT Function \(METER/M&A\)"](#).

Is the inspection result normal?

- YES >> GO TO 3.
NO >> Replace combination meter. Refer to [MWI-91, "Removal and Installation"](#).

3. CHECK LOW TIRE PRESSURE WARNING LAMP

Disconnect BCM harness connector.

Does the low tire pressure warning lamp activate?

- YES >> Replace BCM. Refer to [BCS-51, "Removal and Installation"](#).
NO >> Check combination meter operation.

LOW TIRE PRESSURE WARNING LAMP STAYS ON

< SYMPTOM DIAGNOSIS >

LOW TIRE PRESSURE WARNING LAMP STAYS ON

Low Tire Pressure Warning Lamp Stays On When Ignition Switch Is Turned On

INFOID:000000010711540

DIAGNOSTIC PROCEDURE

1. BCM CONNECTORS

1. Turn ignition switch OFF.
2. Disconnect BCM harness connectors.
3. Check terminals for damage or loose connections.

Is the inspection result normal?

- YES >> GO TO 2.
NO >> Repair or replace damaged parts.

2. BCM POWER SUPPLY AND GROUND CIRCUITS

Check BCM power supply and ground circuits. Refer to [BCS-29. "Diagnosis Procedure"](#).

Is the inspection result normal?

- YES >> Replace BCM. Refer to [BCS-51. "Removal and Installation"](#).
NO >> Repair BCM circuits.

LOW TIRE PRESSURE WARNING LAMP BLINKS

< SYMPTOM DIAGNOSIS >

LOW TIRE PRESSURE WARNING LAMP BLINKS

Low Tire Pressure Warning Lamp Flashes When Ignition Switch Is Turned On

INFOID:0000000010711541

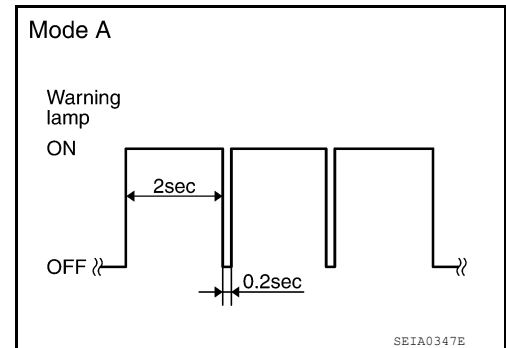
Regarding Wiring Diagram information, refer to [WT-35. "Wiring Diagram"](#).

NOTE:

If low tire pressure warning lamp flashes as shown, the system is normal.

Flash Mode A

- This mode shows transmitter status is OFF-mode. Carry out transmitter wake up operation. Refer to [WT-6. "Work Procedure"](#).



DIAGNOSTIC PROCEDURE

1. CHECK BCM CONNECTORS

- Turn ignition switch OFF.
- Disconnect BCM harness connectors.
- Check terminals for damage or loose connections.

Is the inspection result normal?

- YES >> GO TO 2.
NO >> Repair or replace damaged parts.

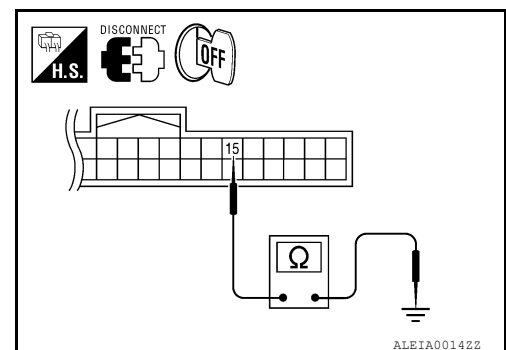
2. CHECK TIRE PRESSURE WARNING CHECK CONNECTOR CIRCUIT

Check continuity between BCM harness connector M18 terminal 15 and ground.

Continuity should not exist.

Is the inspection result normal?

- YES >> Replace BCM. Refer to [BCS-51. "Removal and Installation"](#).
NO >> Repair circuit for short to ground.



HAZARD WARNING LAMPS FLASH

< SYMPTOM DIAGNOSIS >

HAZARD WARNING LAMPS FLASH

Hazard Warning Lamps Flash When Ignition Switch Is Turned On

INFOID:000000010711542

DIAGNOSTIC PROCEDURE

1. CHECK BCM GROUND CIRCUIT

Check BCM ground circuit. Refer to [BCS-29, "Diagnosis Procedure"](#).

Is the inspection result normal?

- YES >> Replace BCM. Refer to [BCS-51, "Removal and Installation"](#).
- NO >> Repair BCM ground circuit.

ID REGISTRATION CANNOT BE COMPLETED

< SYMPTOM DIAGNOSIS >

ID REGISTRATION CANNOT BE COMPLETED

ID Registration Cannot Be Completed

INFOID:0000000010711543

NOTE:

The Signal Tech II Tool [– (J-50190)] can be used to perform the following functions. Refer to the Signal Tech II User Guide for additional information.

- Activate and display TPMS transmitter IDs
- Display tire pressure reported by the TPMS transmitter
- Read TPMS DTCs
- Register TPMS transmitter IDs

DIAGNOSTIC PROCEDURE

1. PERFORM ID REGISTRATION OF ALL TRANSMITTERS

Carry out ID registration of all transmitters. Refer to [WT-6, "Work Procedure"](#).

Can ID registration of all transmitters be completed?

YES >> Inspection End.

NO >> GO TO [WT-15, "Diagnosis Procedure"](#).

A
B
C
D
WT
F
G
H
I
J
K
L
M
N
O
P

NOISE, VIBRATION, AND HARSHNESS (NVH) TROUBLESHOOTING

< SYMPTOM DIAGNOSIS >

NOISE, VIBRATION, AND HARSHNESS (NVH) TROUBLESHOOTING

NVH Troubleshooting Chart

INFOID:000000010711544

Use chart below to help you find the cause of the symptom. If necessary, repair or replace these parts.

Symptom		Possible cause and SUSPECTED PARTS													Reference page			
		Out-of-round	Imbalance	Incorrect tire pressure	Uneven tire wear	Deformation or damage	Non-uniformity	Incorrect tire size	FRONT AND REAR FINAL DRIVE	FRONT AXLE AND FRONT SUSPENSION	REAR AXLE AND REAR SUSPENSION	TIRES	ROAD WHEEL	BRAKE	STEERING			
Symptom	TIRES	Noise	x	x	x	x	x	x		x	x	x	x	x	x	x	WT-47 WT-48, "Adjustment" WT-53 WT-48, "Adjustment" — — WT-53 DLN-184, "NVH Troubleshooting Chart" (R180A) , DLN-218, "NVH Troubleshooting Chart" (C200) , DLN-250, "NVH Troubleshooting Chart" (M226) FAX-4, "NVH Troubleshooting Chart" , FSU-5, "NVH Troubleshooting Chart" RAX-5, "NVH Troubleshooting Chart" , RSU-4, "NVH Troubleshooting Chart" Refer to TIRES in this chart. Refer to ROAD WHEEL in this chart. BR-6, "NVH Troubleshooting Chart" ST-5, "NVH Troubleshooting Chart"	
		Shake	x	x	x	x	x		x		x	x	x	x	x	x		
		Vibration			x				x		x	x	x			x		
		Shimmy	x	x	x	x	x	x	x		x	x	x		x	x		
		Shudder	x	x	x	x	x		x		x	x	x		x	x		
		Poor quality ride or handling	x	x	x	x	x		x		x	x	x					
	ROAD WHEEL	Noise	x	x			x			x	x	x		x	x	x		
		Shake	x	x			x				x	x		x	x	x		
		Shimmy, shudder	x	x			x				x	x		x	x	x		
		Poor quality ride or handling	x	x				x				x		x				

x: Applicable

PRECAUTIONS

< PRECAUTION >

PRECAUTION

PRECAUTIONS

Precaution for Supplemental Restraint System (SRS) "AIR BAG" and "SEAT BELT PRE-TENSIONER"

INFOID:000000010711545

The Supplemental Restraint System such as "AIR BAG" and "SEAT BELT PRE-TENSIONER", used along with a front seat belt, helps to reduce the risk or severity of injury to the driver and front passenger for certain types of collision. This system includes seat belt switch inputs and dual stage front air bag modules. The SRS system uses the seat belt switches to determine the front air bag deployment, and may only deploy one front air bag, depending on the severity of a collision and whether the front occupants are belted or unbelted. Information necessary to service the system safely is included in the SR and SB section of this Service Manual.

WARNING:

- To avoid rendering the SRS inoperative, which could increase the risk of personal injury or death in the event of a collision which would result in air bag inflation, all maintenance must be performed by an authorized NISSAN/INFINITI dealer.
- Improper maintenance, including incorrect removal and installation of the SRS, can lead to personal injury caused by unintentional activation of the system. For removal of Spiral Cable and Air Bag Module, see the SR section.
- Do not use electrical test equipment on any circuit related to the SRS unless instructed to in this Service Manual. SRS wiring harnesses can be identified by yellow and/or orange harnesses or harness connectors.

PRECAUTIONS WHEN USING POWER TOOLS (AIR OR ELECTRIC) AND HAMMERS

WARNING:

- When working near the Airbag Diagnosis Sensor Unit or other Airbag System sensors with the Ignition ON or engine running, DO NOT use air or electric power tools or strike near the sensor(s) with a hammer. Heavy vibration could activate the sensor(s) and deploy the air bag(s), possibly causing serious injury.
- When using air or electric power tools or hammers, always switch the Ignition OFF, disconnect the battery and wait at least three minutes before performing any service.

Precaution for Road Wheel

INFOID:000000010711546

- Genuine NISSAN aluminum wheel is designed for each type of vehicle. Use it on the specified vehicle only.
- Use Genuine NISSAN parts for the wheel nuts.
- Always adjusting the wheel balance prior to using them. For the balance weights, use Genuine NISSAN aluminum wheel weights.
- Use caution when handling the aluminum wheels, because they can be easily scratched. When removing dirt, do not use any abrasives, a wire brush, or other items that may scratch the coating. Use a neutral detergent if a detergent is needed.
- After driving on roads scattered with anti-icing salts, wash off the wheels completely.
- When installing road wheels onto the vehicle, always wipe off any dirt or foreign substances to prevent them from being trapped between the contact surfaces of wheel.
- Do not apply oil to nut and bolt threads.

PREPARATION

< PREPARATION >


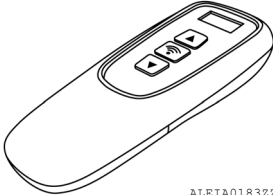
PREPARATION

PREPARATION

Special Service Tool


INFOID:000000010711547

The actual shape of the tools may differ from those illustrated here.

Tool number (TechMate No.) Tool name	Description
<p>— (J-50190) Signal Tech II</p>  <p>ALEIA0131ZZ</p>	<ul style="list-style-type: none"> • Activate and display TPMS transmitter IDs • Display tire pressure reported by the TPMS transmitter • Read TPMS DTCs • Register TPMS transmitter IDs • Test remote keyless entry keyfob relative signal strength • Check Intelligent Key relative signal strength • Confirm vehicle Intelligent Key antenna signal strength • Compatible with future sensors • Equipped with a display
<p>KV48105501 (J-45295-A) Transmitter activation tool</p>  <p>ALEIA0183ZZ</p>	<ul style="list-style-type: none"> • Activate TPMS transmitter IDs • Compatible with future sensors • Equipped with a display (KV48105501 only)

Commercial Service Tools

INFOID:000000010711548

Tool name	Description
<p>Power tool</p>  <p>PIIB1407E</p>	<p>Loosening nuts, screws and bolts</p>

WHEEL

< PERIODIC MAINTENANCE >

PERIODIC MAINTENANCE

WHEEL

Inspection

INFOID:000000010711549

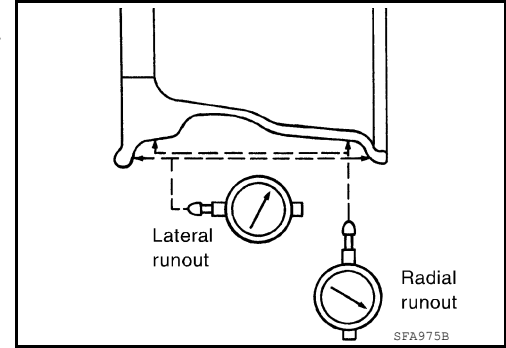
ALUMINUM WHEEL

1. Check tires for wear and improper inflation.
2. Check wheels for deformation, cracks and other damage. If deformed, remove wheel and check wheel runout.

CAUTION:

DO NOT use center hole cone-type clamping machines to hold the wheel assembly during tire removal/installation or balancing or damage to the wheel paint, cladding or chrome may result. Use only rim-type or universal lug-type clamping machines to hold the wheel assembly during servicing.

- a. Remove tire from wheel and mount wheel on a tire balance machine.
- b. Set dial indicator as shown. Refer to [WT-53, "Road Wheel"](#).
3. Check front wheel bearings for looseness.
4. Check front suspension for looseness.



STEEL WHEEL

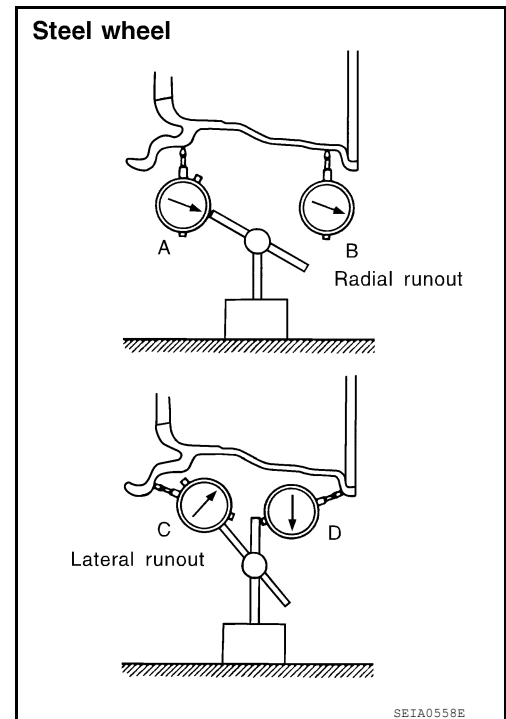
1. Check tires for wear and improper inflation.
 2. Check wheels for deformation, cracks, and other damage. If deformed, remove wheel and check wheel runout.
- a. Remove tire from steel wheel and mount on a tire balance machine.
 - b. Set two dial indicators as shown.
 - c. Set each dial indicator to 0.
 - d. Rotate wheel and check dial indicators at several points around the circumference of the wheel.
 - e. Calculate runout at each point as shown.

$$\text{Radial runout} = (A+B)/2$$

$$\text{Lateral runout} = (C+D)/2$$

- f. Select maximum positive runout value and the maximum negative value. Add the two values to determine total runout. In case a positive or negative value is not available, use the maximum value (negative or positive) for total runout. If the total runout value exceeds the limit, replace the steel wheel.

Wheel runout : Refer to [WT-53, "Road Wheel"](#).



WHEEL AND TIRE ASSEMBLY

< PERIODIC MAINTENANCE >

WHEEL AND TIRE ASSEMBLY

Adjustment

INFOID:000000010711550

BALANCING WHEELS (ADHESIVE WEIGHT TYPE)

Preparation Before Adjustment

Remove inner and outer balance weights from the road wheel. Using releasing agent, remove double-faced adhesive tape from the road wheel.

CAUTION:

- **Be careful not to scratch the road wheel during removal.**
- **After removing double-faced adhesive tape, wipe clean all traces of releasing agent from the road wheel.**

Wheel Balance Adjustment

- If a balancer machine has an adhesive weight mode setting, select the adhesive weight mode setting and skip Step 2. below. If a balancer machine only has the clip-on (rim flange) weight mode setting, follow Step 2. to calculate the correct size adhesive weight.

1. Set road wheel on balancer machine using the center hole as a guide. Start the balancer machine.
2. For balancer machines that only have a clip-on (rim flange) weight mode setting, follow this step to calculate the correct size adhesive weight to use. When inner and outer imbalance values are shown on the balancer machine indicator, multiply outer imbalance value by 5/3 (1.67) to determine balance weight that should be used. Select the outer balance weight with a value closest to the calculated value above and install in to the designated outer position of, or at the designated angle in relation to the road wheel.

- a. Indicated imbalance value $\times 5/3 =$ balance weight to be installed

Calculation example:

$23 \text{ g (0.81 oz)} \times 5/3 (1.67) = 38.33 \text{ g (1.35 oz)} \Rightarrow 40 \text{ g (1.41 oz)}$
balance weight (closer to calculated balance weight value)

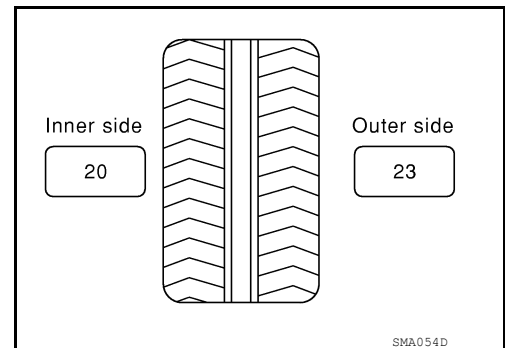
NOTE:

Note that balance weight value must be closer to the calculated balance weight value.

Example:

$37.4 \Rightarrow 35 \text{ g (1.23 oz)}$

$37.5 \Rightarrow 40 \text{ g (1.41 oz)}$



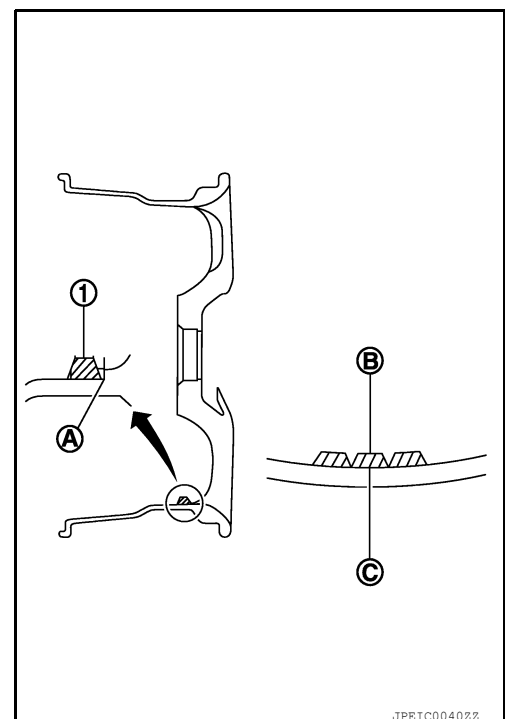
3. Install balance weight in the position shown.

CAUTION:

- **Do not install the inner balance weight before installing the outer balance weight.**
- **Before installing the balance weight, be sure to clean the mating surface of the road wheel.**
- When installing balance weight (1) to road wheel, set it into the grooved area (A) on the inner wall of the road wheel as shown so that the balance weight center (B) is aligned with the balancer machine indication position (angle) (C).

CAUTION:

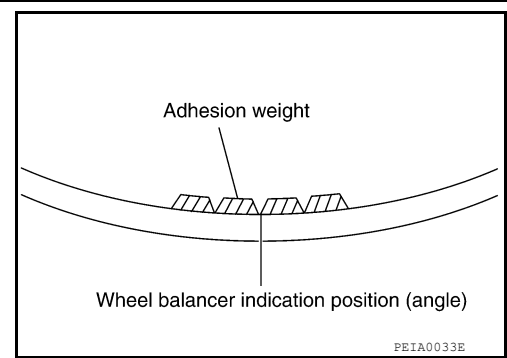
- **Always use Genuine NISSAN adhesive balance weights.**
- **Balance weights are non-reusable; always replace with new ones.**
- **Do not install more than three sheets of balance weight.**



WHEEL AND TIRE ASSEMBLY

< PERIODIC MAINTENANCE >

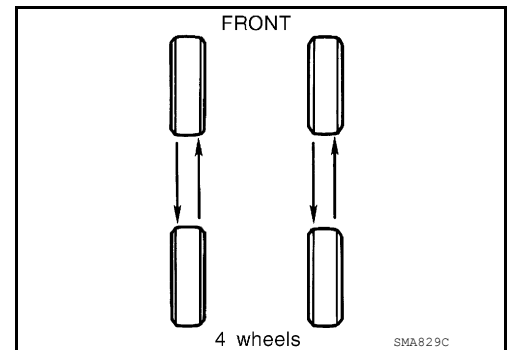
4. If calculated balance weight value exceeds 50 g (1.76 oz), install two balance weight sheets in line with each other as shown.
CAUTION:
Do not install one balance weight sheet on top another.
5. Start balancer machine again.
6. Install balance weight on inner side of road wheel in the balancer machine indication position (angle).
CAUTION:
Do not install more than two balance weights.
7. Start balancer machine. Make sure that inner and outer residual imbalance values are 5 g (0.17 oz) each or below.
8. If either residual imbalance value exceeds 5 g (0.17 oz), repeat installation procedures.



Wheel balance	Dynamic (At flange)	Static (At flange)
Maximum allowable imbalance	Refer to WT-53, "Road Wheel" .	

TIRE ROTATION

- Follow the maintenance schedule for tire rotation service intervals. Refer to [MA-6, "FOR USA AND CANADA : Explanation of General Maintenance"](#) (United States and Canada), or [MA-8, "FOR MEXICO : General Maintenance"](#) (Mexico).
- When installing the wheel, tighten wheel nuts to the specified torque.
CAUTION:
 - Do not include the spare tire when rotating the tires.
 - When installing wheels, tighten them diagonally by dividing the work two to three times in order to prevent the wheels from developing any distortion.
 - Be careful not to tighten wheel nut at torque exceeding the criteria for preventing strain of disc rotor.
 - Use NISSAN genuine wheel nuts for aluminum wheels.



Wheel nut tightening torque : 133 N·m (14 kg-m, 98 ft-lb)

- Perform the ID registration, after tire rotation. Refer to [WT-6, "Work Procedure"](#).

REMOVAL AND INSTALLATION

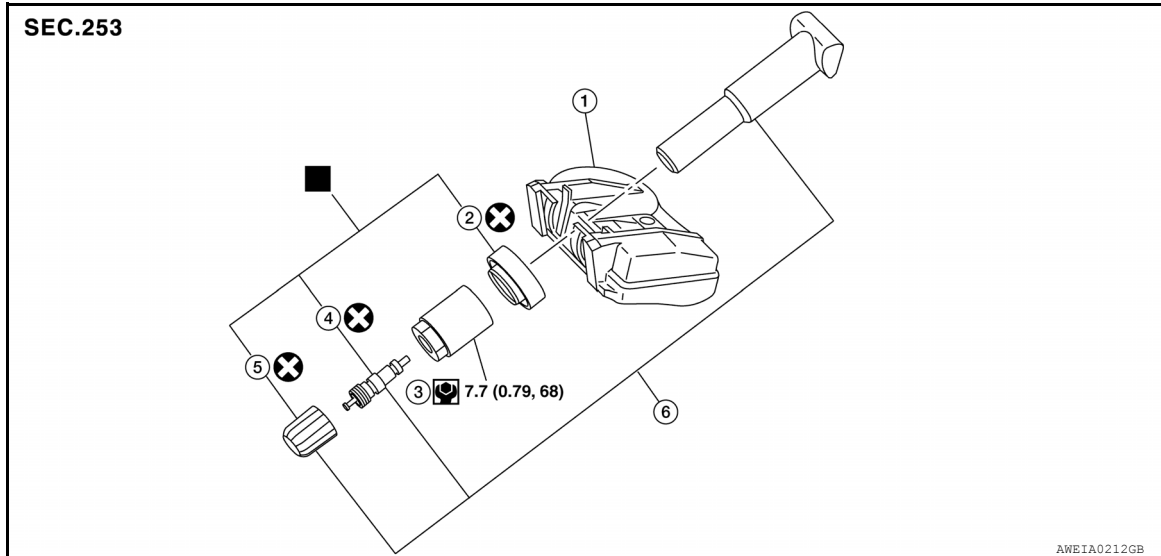
< UNIT REMOVAL AND INSTALLATION >

UNIT REMOVAL AND INSTALLATION

REMOVAL AND INSTALLATION

Exploded View

INFOID:000000010711551



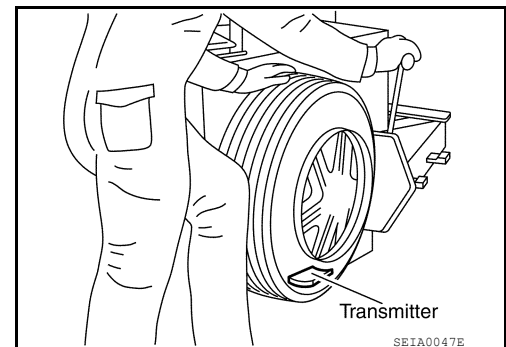
- | | | |
|---------------------------------------|--------------|------------------------|
| 1. Transmitter (tire pressure sensor) | 2. O-ring | 3. Valve stem nut |
| 4. Valve core | 5. Valve cap | 6. Valve stem assembly |
- : Parts that are replaced as a set when the tire is replaced.

Transmitter (Pressure Sensor)

INFOID:000000010711552

REMOVAL

1. Remove wheel and tire using power tool. Refer to [WT-48, "Adjustment"](#).
2. Remove valve cap and valve core to deflate the tire.
NOTE:
If the tire is to be reused, apply a matching mark on the tire in line with the position of the road wheel valve stem assembly for the purpose of road wheel and tire balance adjustment after installation.
3. Remove the valve stem nut and allow transmitter to fall into tire.



4. Lubricate the tire outside bead well with a suitable non-silicone lubricant, and remove outside of tire from the road wheel. Reach inside the tire and remove the transmitter.
CAUTION:
 - Do not use silicone lubricant. Use of silicone lubricant will deteriorate the tire and road wheel.
 - Be sure not to damage the road wheel or transmitter.
 - Do not allow lubricant to make contact with transmitter.
5. Lubricate the tire inside bead well with a suitable non-silicone lubricant, and remove inside of tire from the road wheel.

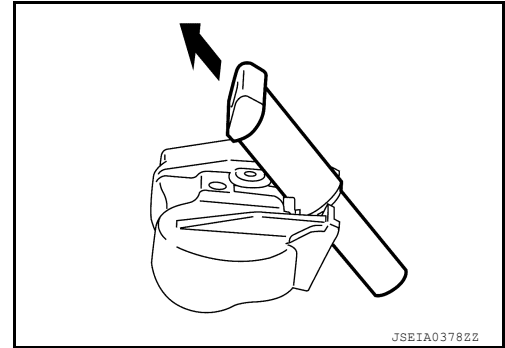
REMOVAL AND INSTALLATION

< UNIT REMOVAL AND INSTALLATION >

CAUTION:

- Do not use silicone lubricant. Use of silicone lubricant will deteriorate the tire and road wheel.
- Be sure not to damage the road wheel.

6. Remove the valve stem from the transmitter as shown.



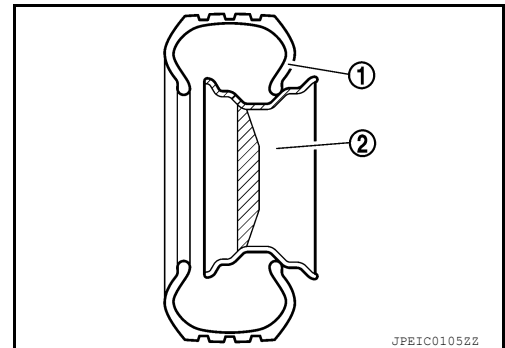
INSTALLATION

1. Apply a suitable non-silicone lubricant to the tire inside bead.

CAUTION:

- Do not use silicone lubricant. Use of silicone lubricant will deteriorate the tire and wheel.

2. Install the tire inside bead (1) onto the road wheel (2) in the position shown.

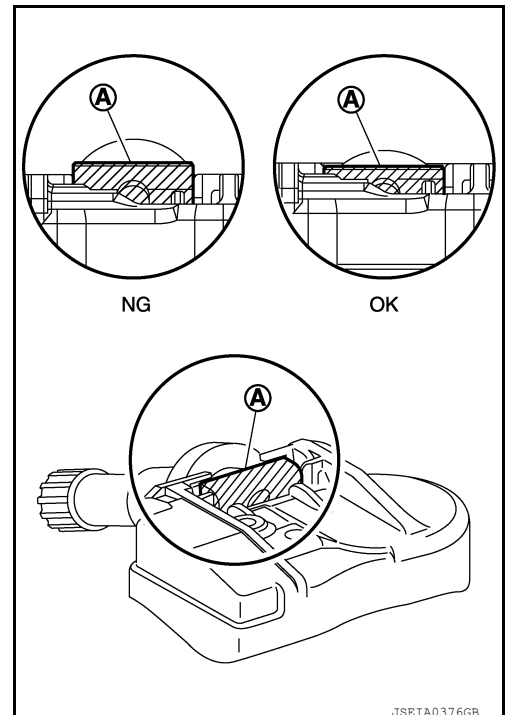


3. Install the valve stem to the transmitter.

4. Install the O-ring to the transmitter.

CAUTION:

- Do not reuse O-ring.
- Insert O-ring to the base of the transmitter.
- The base of the valve stem (A) must be positioned in the groove of the metal plate as shown.



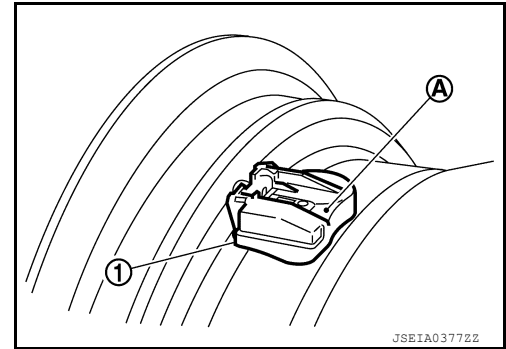
REMOVAL AND INSTALLATION

< UNIT REMOVAL AND INSTALLATION >

5. Install transmitter (1) to road wheel while pressing at position (A).

CAUTION:

- Check that O-ring contacts horizontally with road wheel.
- Check that the base of the valve stem is positioned in the groove of the metal plate.



6. Install and tighten the valve stem nut to the specified torque.

Valve stem nut tightening torque : 7.7 N·m (0.79 kg-m, 68 in-lb)

CAUTION:

Do not use power tool for installation.

7. Place wheel on turntable of tire machine. Ensure that transmitter is 270 degrees from mounting/dismounting head.

NOTE:

Do not touch transmitter with mounting head.

8. Apply a suitable non-silicone lubricant to the tire outside bead.

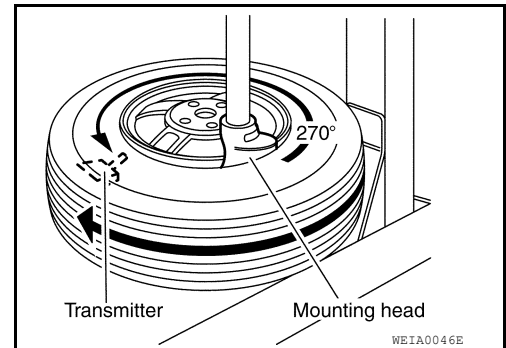
CAUTION:

- Do not use silicone lubricant. Use of silicone lubricant will deteriorate the tire and wheel.
- Do not allow lubricant to make contact with transmitter.

9. Install the tire outside bead onto the road wheel as normal.

NOTE:

If the tire is being reused, align the matching mark applied on the tire with the position of the road wheel valve stem assembly for the purpose of road wheel and tire balance adjustment after installation. Ensure that the tire does not rotate relative to road wheel.



10. Install the valve core and inflate tire.

CAUTION:

Do not reuse valve core.

11. Install the valve cap.

CAUTION:

Do not reuse valve cap.

12. Inflate tire and balance the wheel and tire assembly. Refer to [WT-48, "Adjustment"](#).

13. Install wheel and tire assembly in appropriate wheel position on vehicle. Refer to [WT-48, "Adjustment"](#).

NOTE:

If replacing the transmitter, then transmitter wake up operation must be performed. Refer to [WT-5, "Preliminary Check"](#).

14. Adjust neutral position of steering angle sensor. Refer to [BRC-123, "ADDITIONAL SERVICE WHEN REPLACING CONTROL UNIT : Special Repair Requirement"](#).

SERVICE DATA AND SPECIFICATIONS (SDS)

< SERVICE DATA AND SPECIFICATIONS (SDS)

SERVICE DATA AND SPECIFICATIONS (SDS)

SERVICE DATA AND SPECIFICATIONS (SDS)

Road Wheel

INFOID:0000000010711553

Wheel type		Aluminum	Steel	
			Inside	Outside
Maximum runout limit	Lateral mm (in)	0.3 (0.012) or less	0.8 (0.031) or less	0.8 (0.031) or less
	Radial mm (in)	0.3 (0.012) or less	0.6 (0.024) or less	0.6 (0.024) or less
Maximum allowable imbalance	Dynamic (at rim flange)	Less than 5 g (0.18 oz) (per side)		
	Static (at rim flange)	Less than 10 g (0.35 oz)		

Tire

INFOID:0000000010711554

Unit: kPa (kg/cm², psi)

Tire size	Air pressure	
	Conventional tire	Spare tire
P235/75R15	240 (2.4, 35)	240 (2.4, 35)
P265/70R16	240 (2.4, 35)	240 (2.4, 35)
P265/75R16	240 (2.4, 35)	240 (2.4, 35)
P265/60R18	240 (2.4, 35)	240 (2.4, 35)