

SECTION **HA**

HEATER & AIR CONDITIONING SYSTEM

CONTENTS

PRECAUTION	2	ELECTRICAL LEAK DETECTOR	20	A
PRECAUTIONS	2	Checking of Refrigerant Leaks	20	B
Precaution for Supplemental Restraint System (SRS) "AIR BAG" and "SEAT BELT PRE-TEN- SIONER"	2	Electronic Refrigerant Leak Detector	20	C
Precaution for Working with HFC-134a (R-134a).....	2	REMOVAL AND INSTALLATION	23	D
Contaminated Refrigerant	3	REFRIGERATION SYSTEM	23	E
General Refrigerant Precaution	3	Component	23	F
Precaution for Leak Detection Dye	3	COMPRESSOR	25	G
A/C Identification Label	4	Removal and Installation for Compressor	25	H
Precaution for Refrigerant Connection	4	Removal and Installation for Compressor Clutch	27	HA
Precaution for Service of Compressor	7	HIGH-PRESSURE FLEXIBLE HOSE	30	J
Precaution for Service Equipment	7	Removal and Installation	30	K
PREPARATION	10	HIGH-PRESSURE PIPE	31	L
PREPARATION	10	Removal and Installation	31	M
Special Service Tool	10	LOW-PRESSURE FLEXIBLE HOSE	32	N
HFC-134a (R-134a) Service Tool and Equipment... ..	10	Removal and Installation	32	O
Commercial Service Tool	12	LOW-PRESSURE PIPE	33	P
SYSTEM DESCRIPTION	13	Removal and Installation	33	
REFRIGERATION SYSTEM	13	CONDENSER	34	
Refrigerant Cycle	13	Removal and Installation	34	
Refrigerant System Protection	13	AMBIENT SENSOR	35	
PERIODIC MAINTENANCE	14	Removal and Installation	35	
REFRIGERATION SYSTEM	14	REFRIGERANT PRESSURE SENSOR	36	
HFC-134a (R-134a) Service Procedure	14	Removal and Installation	36	
OIL	16	EXPANSION VALVE	37	
Maintenance of Oil Quantity in Compressor	16	Removal and Installation	37	
FLUORESCENT LEAK DETECTOR	18	SERVICE DATA AND SPECIFICATIONS	38	
Checking of Refrigerant Leaks	18	(SDS)	38	
Checking System for Leaks Using the Fluorescent Dye Leak Detector	18	SERVICE DATA AND SPECIFICATIONS	38	
Dye Injection	18	(SDS)	38	
		Service Data and Specification (SDS)	38	

PRECAUTIONS

< PRECAUTION >

PRECAUTION

PRECAUTIONS

Precaution for Supplemental Restraint System (SRS) "AIR BAG" and "SEAT BELT PRE-TENSIONER"

INFOID:000000012564943

The Supplemental Restraint System such as "AIR BAG" and "SEAT BELT PRE-TENSIONER", used along with a front seat belt, helps to reduce the risk or severity of injury to the driver and front passenger for certain types of collision. This system includes seat belt switch inputs and dual stage front air bag modules. The SRS system uses the seat belt switches to determine the front air bag deployment, and may only deploy one front air bag, depending on the severity of a collision and whether the front occupants are belted or unbelted. Information necessary to service the system safely is included in the SR and SB section of this Service Manual.

WARNING:

- To avoid rendering the SRS inoperative, which could increase the risk of personal injury or death in the event of a collision which would result in air bag inflation, all maintenance must be performed by an authorized NISSAN/INFINITI dealer.
- Improper maintenance, including incorrect removal and installation of the SRS, can lead to personal injury caused by unintentional activation of the system. For removal of Spiral Cable and Air Bag Module, see the SR section.
- Do not use electrical test equipment on any circuit related to the SRS unless instructed to in this Service Manual. SRS wiring harnesses can be identified by yellow and/or orange harnesses or harness connectors.

PRECAUTIONS WHEN USING POWER TOOLS (AIR OR ELECTRIC) AND HAMMERS

WARNING:

- When working near the Airbag Diagnosis Sensor Unit or other Airbag System sensors with the Ignition ON or engine running, DO NOT use air or electric power tools or strike near the sensor(s) with a hammer. Heavy vibration could activate the sensor(s) and deploy the air bag(s), possibly causing serious injury.
- When using air or electric power tools or hammers, always switch the Ignition OFF, disconnect the battery and wait at least three minutes before performing any service.

Precaution for Working with HFC-134a (R-134a)

INFOID:000000012564944

WARNING:

- CFC-12 (R-12) refrigerant and HFC-134a (R-134a) refrigerant are not compatible. If the refrigerants are mixed compressor failure is likely to occur. Refer to [HA-3, "Contaminated Refrigerant"](#). To determine the purity of HFC-134a (R-134a) in the vehicle and recovery tank, use Refrigerant Recovery/ Recycling Recharging equipment and Refrigerant Identifier.
- Use only specified oil for the HFC-134a (R-134a) A/C system and HFC-134a (R-134a) components. If oil other than that specified is used, compressor failure is likely to occur.
- The specified HFC-134a (R-134a) oil rapidly absorbs moisture from the atmosphere. The following handling precautions must be observed:
 - When removing refrigerant components from a vehicle, immediately cap (seal) the component to minimize the entry of moisture from the atmosphere.
 - When installing refrigerant components to a vehicle, do not remove the caps (unseal) until just before connecting the components. Connect all refrigerant loop components as quickly as possible to minimize the entry of moisture into system.
 - Only use the specified oil from a sealed container. Immediately reseal containers of oil. Without proper sealing, oil will become moisture saturated and should not be used.
 - Avoid breathing A/C refrigerant and oil vapor or mist. Exposure may irritate eyes, nose and throat. Remove HFC-134a (R-134a) from the A/C system using certified service equipment meeting requirements of SAE J2210 [HFC-134a (R-134a) recycling equipment], or SAE J2209 [HFC-134a (R-134a) recovery equipment]. If accidental system discharge occurs, ventilate work area before resuming service. Additional health and safety information may be obtained from refrigerant and oil manufacturers.
 - Do not allow oil, Genuine NISSAN A/C System Oil Type R to come in contact with styrofoam parts. Damage may result.

PRECAUTIONS

< PRECAUTION >

Contaminated Refrigerant

INFOID:0000000012564945

If a refrigerant other than pure HFC-134a (R-134a) is identified in a vehicle, your options are:

- Explain to the customer that environmental regulations prohibit the release of contaminated refrigerant into the atmosphere.
- Explain that recovery of the contaminated refrigerant could damage your service equipment and refrigerant supply.
- Suggest the customer return the vehicle to the location of previous service where the contamination may have occurred.
- If you choose to perform the repair, recover the refrigerant using only **dedicated equipment and containers. Do not recover contaminated refrigerant into your existing service equipment.** If your facility does not have dedicated recovery equipment, you may contact a local refrigerant product retailer for available service. This refrigerant must be disposed of in accordance with all federal and local regulations. In addition, replacement of all refrigerant system components on the vehicle is recommended.
- If the vehicle is within the warranty period, the air conditioner warranty is void. Please contact NISSAN Customer Affairs for further assistance.

General Refrigerant Precaution

INFOID:0000000012564946

WARNING:

- **Do not release refrigerant into the air. Use approved recovery/recycling equipment to capture the refrigerant every time an air conditioning system is discharged.**
- **Always wear eye and hand protection (goggles and gloves) when working with any refrigerant or air conditioning system.**
- **Do not store or heat refrigerant containers above 52°C (125°F).**
- **Do not heat a refrigerant container with an open flame; if container warming is required, place the bottom of the container in a warm pail of water.**
- **Do not intentionally drop, puncture, or incinerate refrigerant containers.**
- **Keep refrigerant away from open flames: poisonous gas will be produced if refrigerant burns.**
- **Refrigerant will displace oxygen, therefore be certain to work in well ventilated areas to prevent suffocation.**
- **Do not pressure test or leak test HFC-134a (R-134a) service equipment and/or vehicle air conditioning systems with compressed air during repair. Some mixtures of air and HFC-134a (R-134a) have been shown to be combustible at elevated pressures. These mixtures, if ignited, may cause injury or property damage. Additional health and safety information may be obtained from refrigerant manufacturers.**

Precaution for Leak Detection Dye

INFOID:0000000012564947

- The A/C system contains a fluorescent leak detection dye used for locating refrigerant leaks. An ultraviolet (UV) lamp is required to illuminate the dye when inspecting for leaks.
- Always wear fluorescence enhancing UV safety goggles to protect your eyes and enhance the visibility of the fluorescent dye.
- The fluorescent dye leak detector is not a replacement for an electronic refrigerant leak detector. The fluorescent dye leak detector should be used in conjunction with an electronic refrigerant leak detector (J-41995).
- For your safety and the customer's satisfaction, read and follow all manufacturer's operating instructions and precautions prior to performing work.
- A compressor shaft seal should not be repaired because of dye seepage. The compressor shaft seal should only be repaired after confirming the leak with an electronic refrigerant leak detector (J-41995).
- Always remove any remaining dye from the leak area after repairs are complete to avoid a misdiagnosis during a future service.
- Do not allow dye to come into contact with painted body panels or interior components. If dye is spilled, clean immediately with the approved dye cleaner. Fluorescent dye left on a surface for an extended period of time **cannot be removed.**
- Do not spray the fluorescent dye cleaning agent on hot surfaces (engine exhaust manifold, etc.).
- Do not use more than one refrigerant dye bottle (1/4 ounce / 7.4 cc) per A/C system.
- Leak detection dyes for HFC-134a (R-134a) and CFC-12 (R-12) A/C systems are different. Do not use HFC-134a (R-134a) leak detection dye in CFC-12 (R-12) A/C systems or CFC-12 (R-12) leak detection dye in HFC-134a (R-134a) A/C systems or A/C system damage may result.
- The fluorescent properties of the dye will remain for over three (3) years unless a compressor failure occurs.

PRECAUTIONS

< PRECAUTION >

A/C Identification Label

INFOID:000000012564948

Vehicles with factory installed fluorescent dye have an identification label on the underside of hood.

Precaution for Refrigerant Connection

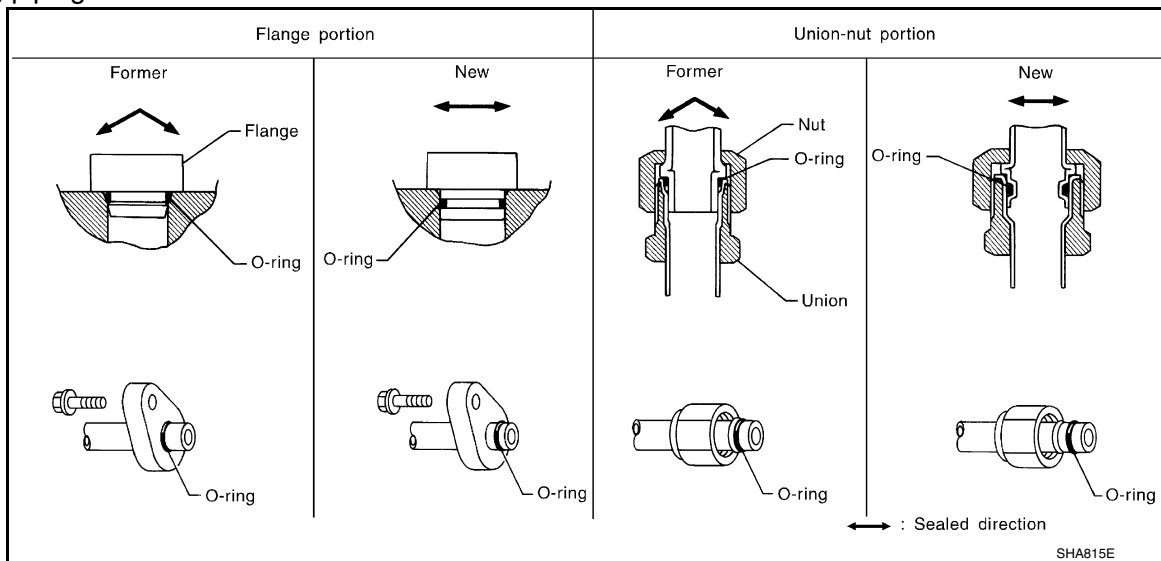
INFOID:000000012564949

A new type refrigerant connection has been introduced to all refrigerant lines except the following locations.

- Expansion valve to cooling unit
- Evaporator pipes to evaporator (inside cooling unit)
- Refrigerant pressure sensor

FEATURES OF NEW TYPE REFRIGERANT CONNECTION

- The O-ring has been relocated. It has also been provided with a groove for proper installation. This reduces the possibility of the O-ring being caught in, or damaged by, the mating part. The sealing direction of the O-ring is now set vertically in relation to the contacting surface of the mating part to improve sealing characteristics.
- The reaction force of the O-ring will not occur in the direction that causes the joint to pull out, thereby facilitating piping connections.



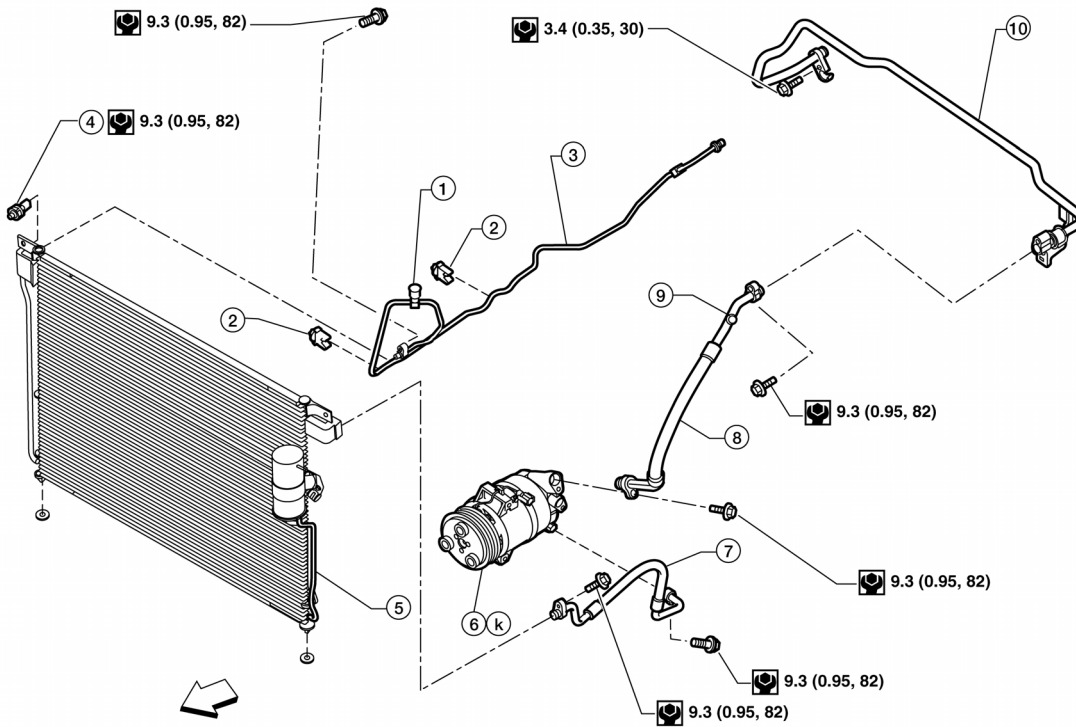
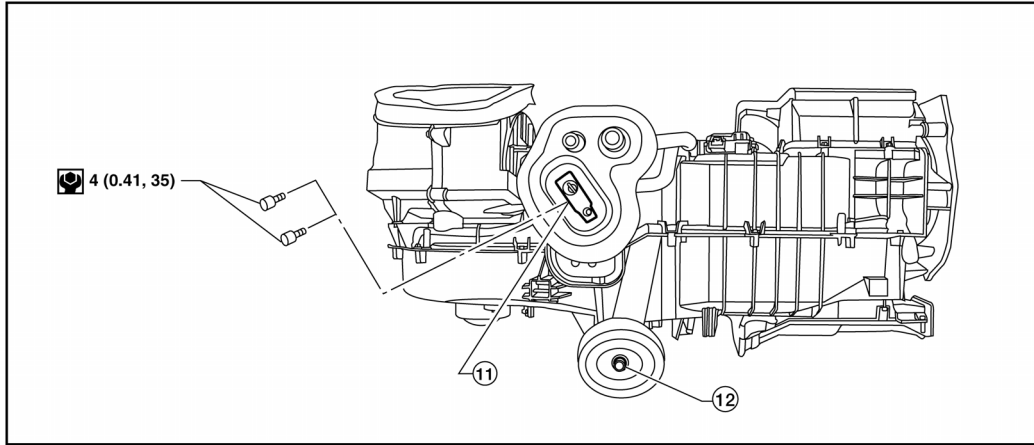
O-RING AND REFRIGERANT CONNECTION

PRECAUTIONS

< PRECAUTION >

A/C Compressor and Condenser

SEC. 270 • 271 • 274 • 276



- | | | |
|------------------------------------|-----------------------------------|-------------------------------|
| 1. High-pressure service valve | 2. Clip | 3. High-pressure A/C pipe |
| 4. Refrigerant pressure sensor | 5. Condenser | 6. Compressor shaft seal |
| 7. High-pressure flexible A/C hose | 8. Low-pressure flexible A/C hose | 9. Low-pressure service valve |
| 10. Low-pressure A/C pipe | 11. Expansion valve | 12. A/C drain hose |

⇐ Front

CAUTION:

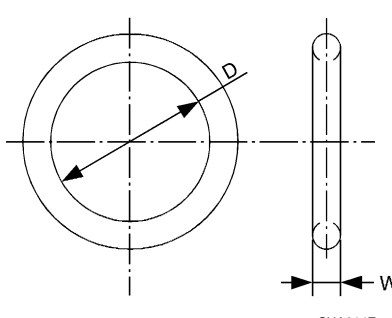
A
B
C
D
E
F
G
H
HA
J
K
L
M
N
O
P

PRECAUTIONS

< PRECAUTION >

The new and former refrigerant connections use different O-ring configurations. Do not confuse O-rings since they are not interchangeable. If a wrong O-ring is installed, refrigerant will leak at or around the connection.

O-Ring Specifications



Connection type	O-ring size	D mm (in)	W mm (in)
New	8	6.8 (0.268)	1.85 (0.0728)
Former	10	9.25 (0.3642)	1.78 (0.0701)
New	12	10.9 (0.429)	2.43 (0.0957)
Former		11.0 (0.433)	2.4 (0.094)
New	16	13.6 (0.535)	2.43 (0.0957)
Former		14.3 (0.563)	2.3 (0.091)
New	19	16.5 (0.650)	2.43 (0.0957)
Former		17.12 (0.6740)	1.78 (0.0701)
New	24	21.8 (0.858)	2.4 (0.094)

*: Always check with the Parts Department for the latest parts information.

WARNING:

Make sure all refrigerant is discharged into the recycling equipment and the pressure in the system is less than atmospheric pressure. Then gradually loosen the discharge side hose fitting and remove it.

CAUTION:

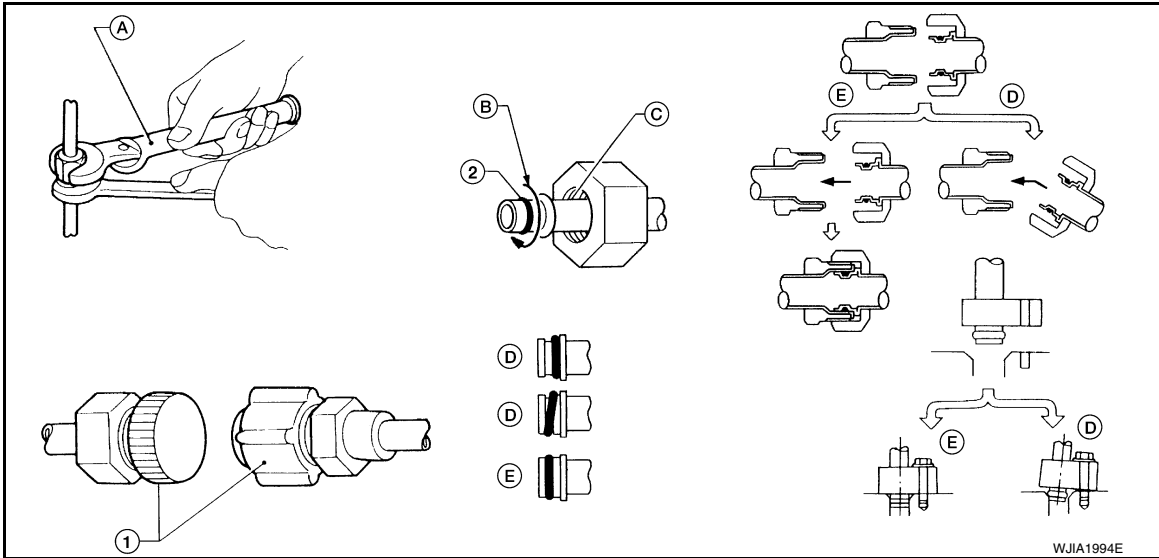
When replacing or cleaning refrigerant cycle components, observe the following.

- When the compressor is removed, store it in the same position as it is when mounted on the car. Failure to do so will cause oil to enter the low pressure chamber.
- When connecting tubes, always use a torque wrench and a back-up wrench.
- After disconnecting tubes, immediately plug all openings to prevent entry of dirt and moisture.
- When installing an air conditioner in the vehicle, connect the pipes as the final stage of the operation. Do not remove the seal caps of pipes and other components until just before required for connection.
- Allow components stored in cool areas to warm to working area temperature before removing seal caps. This prevents condensation from forming inside A/C components.
- Thoroughly remove moisture from the refrigeration system before charging the refrigerant.
- Always replace used O-rings.
- When connecting tube, apply oil to circle of the O-rings shown in illustration. Be careful not to apply oil to threaded portion.
Oil name: Genuine NISSAN A/C System Oil Type R or equivalent.
- O-ring must be closely attached to dented portion of tube.
- When replacing the O-ring, be careful not to damage O-ring and tube.
- Connect tube until you hear it click, then tighten the nut or bolt by hand until snug. Make sure that the O-ring is installed to tube correctly.

PRECAUTIONS

< PRECAUTION >

- After connecting line, conduct leak test and make sure that there is no leakage from connections. When the refrigerant leaking point is found, disconnect that line and replace the O-ring. Then tighten connections of seal seat to the specified torque.



- | | | |
|--------------|-------------------------------|------------------|
| 1. Plug | 2. O-ring | A. Torque wrench |
| B. Apply oil | C. Do not apply oil to thread | D. No good |
| E. Good | | |

Precaution for Service of Compressor

INFOID:000000012564950

- Plug all openings to prevent moisture and foreign matter from entering.
- When the compressor is removed, store it in the same position as it is when mounted on the car.
- When replacing or repairing compressor, follow "Maintenance of Oil Quantity in Compressor" exactly. Refer to [HA-16. "Maintenance of Oil Quantity in Compressor"](#).
- Keep friction surfaces between clutch and pulley clean. If the surface is contaminated with oil, wipe it off by using a clean waste cloth moistened with thinner.
- After compressor service operation, turn the compressor shaft by hand more than 5 turns in both directions. This will equally distribute oil inside the compressor. After the compressor is installed, let the engine idle and operate the compressor for 1 hour.
- After replacing the compressor magnet clutch, apply voltage to the new one and check for normal operation. Refer to [HA-27. "Removal and Installation for Compressor Clutch"](#).

Precaution for Service Equipment

INFOID:000000012564951

RECOVERY/RECYCLING EQUIPMENT

Follow the manufacturer's instructions for machine operation and machine maintenance. Do not introduce any refrigerant other than that specified into the machine.

ELECTRONIC LEAK DETECTOR

Follow the manufacturer's instructions for tester operation and tester maintenance.

VACUUM PUMP

PRECAUTIONS

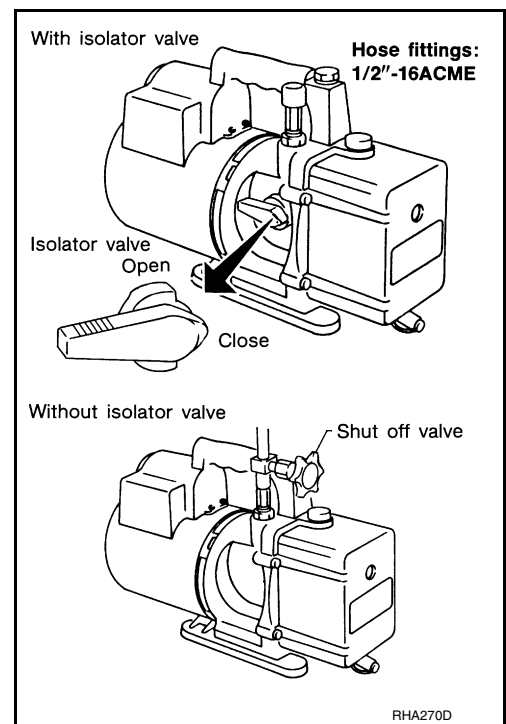
< PRECAUTION >

The oil contained inside the vacuum pump is not compatible with the specified oil for HFC-134a (R-134a) A/C systems. The vent side of the vacuum pump is exposed to atmospheric pressure so the vacuum pump oil may migrate out of the pump into the service hose. This is possible when the pump is switched off after evacuation (vacuuming) and hose is connected to it.

To prevent this migration, use a manual valve situated near the hose-to-pump connection, as follows.

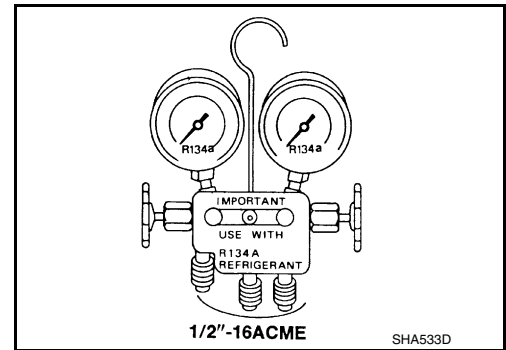
- Usually vacuum pumps have a manual isolator valve as part of the pump. Close this valve to isolate the service hose from the pump.
- For pumps without an isolator, use a hose equipped with a manual shut-off valve near the pump end. Close the valve to isolate the hose from the pump.
- If the hose has an automatic shut off valve, disconnect the hose from the pump: as long as the hose is connected, the valve is open and oil may migrate.

Some one-way valves open when vacuum is applied and close under a no vacuum condition. Such valves may restrict the pump's ability to pull a deep vacuum and are not recommended.



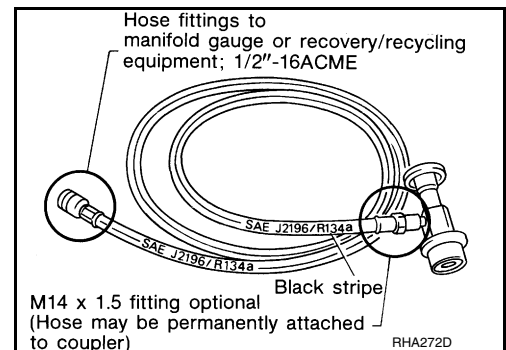
MANIFOLD GAUGE SET

Be certain that the gauge face indicates HFC-134a (R-134a). Make sure the gauge set has 1/2"-16 ACME threaded connections for service hoses. Confirm the set has been used only with refrigerant HFC-134a (R-134a) along with specified oil.



SERVICE HOSES

Be certain that the service hoses display the markings described (colored hose with black stripe). All hoses must include positive shut-off devices (either manual or automatic) near the end of the hoses opposite the manifold gauge.



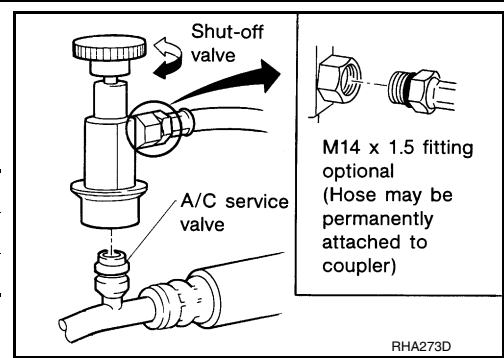
SERVICE COUPLERS

PRECAUTIONS

< PRECAUTION >

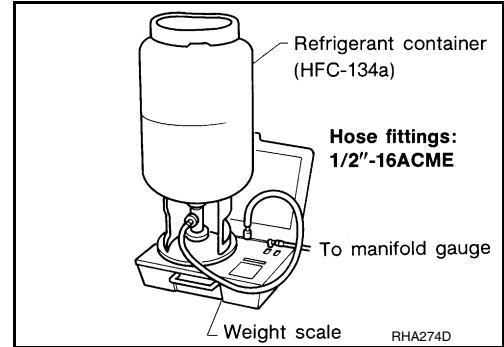
Do not attempt to connect HFC-134a (R-134a) service couplers to a CFC-12 (R-12) A/C system. The HFC-134a (R-134a) couplers will not properly connect to the CFC-12 (R-12) system. If an improper connection is attempted, discharging and contamination may occur.

Shut-off valve rotation	A/C service valve
Clockwise	Open
Counterclockwise	Close



REFRIGERANT WEIGHT SCALE

Verify that no refrigerant other than HFC134a (R-134a) and specified oils have been used with the scale. If the scale controls refrigerant flow electronically, the hose fitting must be 1/2"-16 ACME.



CHARGING CYLINDER

Using a charging cylinder is not recommended. Refrigerant may be vented into air from cylinder's top valve when filling the cylinder with refrigerant. Also, the accuracy of the cylinder is generally less than that of an electronic scale or of quality recycle/recharge equipment.

A
B
C
D
E
F
G
H
HA
J
K
L
M
N
O
P

PREPARATION

< PREPARATION >


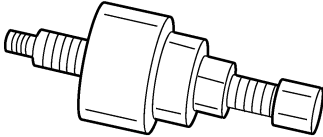
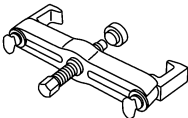
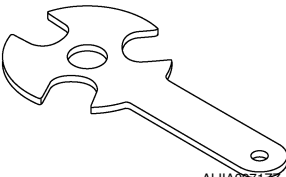
PREPARATION

PREPARATION

Special Service Tool

INFOID:000000012564952

The actual shape of the tools may differ from those illustrated here.

Tool number (TechMate No.) Tool name		Description
— (J-41425-NIS) AL Tubing Repair Kit	 <p style="text-align: right; font-size: small;">ALIIA0390ZZ</p>	Repairing leaks in A/C tubes
— (J-38873-A) Drive plate installer	 <p style="text-align: right; font-size: small;">WJIA0367E</p>	Installing pulley
KV99233130 (J-29884) Pulley puller	 <p style="text-align: right; font-size: small;">LHA172</p>	Removing pulley
— (J-44614) A/C Comp Clutch Wrench	 <p style="text-align: right; font-size: small;">ALIIA0974ZZ</p>	Clutch disc holding tool

HFC-134a (R-134a) Service Tool and Equipment

INFOID:000000012564953

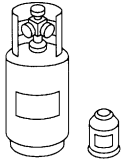

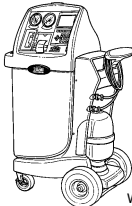
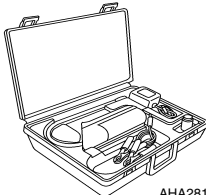
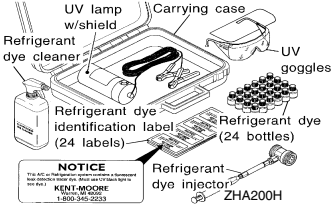
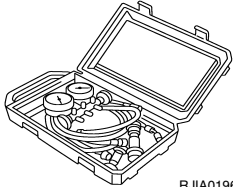
Do not mix HFC-134a (R-134a) refrigerant and/or the specified oil with CFC-12 (R-12) refrigerant and/or the oil.

Separate and non-interchangeable service equipment must be used for handling each type of refrigerant/oil. Refrigerant container fittings, service hose fittings and service equipment fittings (equipment which handles refrigerant and/or oil) are different between CFC-12 (R-12) and HFC-134a (R-134a). This is to avoid mixed use of the refrigerants/oil.

Adapters that convert one size fitting to another must not be used refrigerant/oil contamination will occur and compressor malfunction will result.

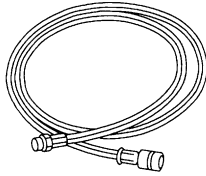
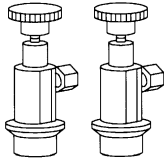
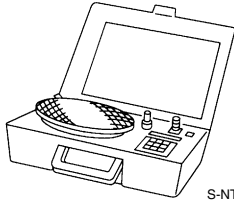
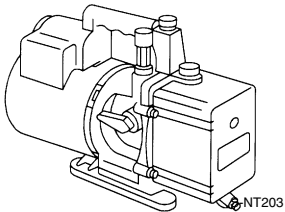
PREPARATION

< PREPARATION >

Tool number (TechMate No.) Tool name	Description	A
<p>— (—) HFC-134a (R-134a) Refrigerant</p>  <p style="text-align: center;">S-NT196</p>	<p>Container color: Light blue Container marking: HFC-134a (R-134a) Fitting size: Thread size</p> <ul style="list-style-type: none"> • large container 1/2"-16 ACME 	B C D
<p>— (—) NISSAN A/C System Oil Type R</p>  <p style="text-align: center;">S-NT197</p>	<p>Type: Poly alkylene glycol oil (PAG), type R Application: HFC-134a (R-134a) vane rotary compressors (NISSAN only) Lubricity: 40 m ℓ (1.4 US fl oz, 1.4 Imp fl oz)</p>	E F
<p>— (J-48710) NISSAN ACR2009 RRR Unit</p>  <p style="text-align: center;">WJIA0293E</p>	<p>Refrigerant Recovery and Recycling and Recharging</p>	G H
<p>— (J-41995) Electronic refrigerant leak detector</p>  <p style="text-align: center;">AHA281A</p>	<p>Power supply: • DC 12V (battery terminal)</p>	HA J K
<p>— (J-43926) A/C Leak Detection Kit Kit includes: (J-42220) UV lamp and UV safety goggles (J-41459) Refrigerant dye injector (J-41447) HFC-134a (R-134a) Fluorescent leak detection dye (box of 24, 1/4 ounce bottles) (J-43872) Refrigerant dye cleaner</p>  <p style="text-align: center;">ZHA200H</p>	<p>Power supply: • DC 12V (battery terminal)</p>	L M N
<p>— (J-39183-C) Manifold gauge set (with hoses and couplers)</p>  <p style="text-align: center;">RJIA0196E</p>	<p>Identification: • The gauge face indicates R-134a. Fitting size-Thread size • 1/2"-16 ACME</p>	O P

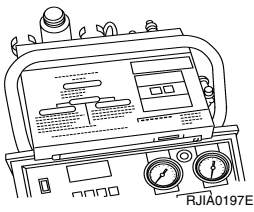

PREPARATION

< PREPARATION >

Tool number (TechMate No.) Tool name	Description
Service hoses: • High side hose (J-39500-72B) • Low side hose (J-39500-72R) • Utility hose (J-39500-72Y)	 <p>Hose color:</p> <ul style="list-style-type: none"> • Low side hose: Blue with black stripe • High side hose: Red with black stripe • Utility hose: Yellow with black stripe or green with black stripe <p>Hose fitting to gauge:</p> <ul style="list-style-type: none"> • 1/2"-16 ACME
Service couplers • High side coupler (J-39500-20A) • Low side coupler (J-39500-24A)	 <p>Hose fitting to service hose:</p> <ul style="list-style-type: none"> • M14 x 1.5 fitting is optional or permanently attached.
— (J-39699) Refrigerant weight scale	 <p>For measuring of refrigerant Fitting size-Thread size</p> <ul style="list-style-type: none"> • 1/2"-16 ACME
— (J-39649) Vacuum pump (Including the isolator valve)	 <p>Capacity:</p> <ul style="list-style-type: none"> • Air displacement: 4 CFM • Micron rating: 20 microns • Oil capacity: 482 g (17 oz) <p>Fitting size-Thread size</p> <ul style="list-style-type: none"> • 1/2"-16 ACME

Commercial Service Tool

INFOID:0000000012564954

Tool number (TechMate No.) Tool name	Description
(J-41810-NI) Refrigerant identifier equipment (R-134a)	 <p>For checking refrigerant purity and system contamination</p>
(—) Power tool	 <p>Loosening nuts, screws and bolts</p>

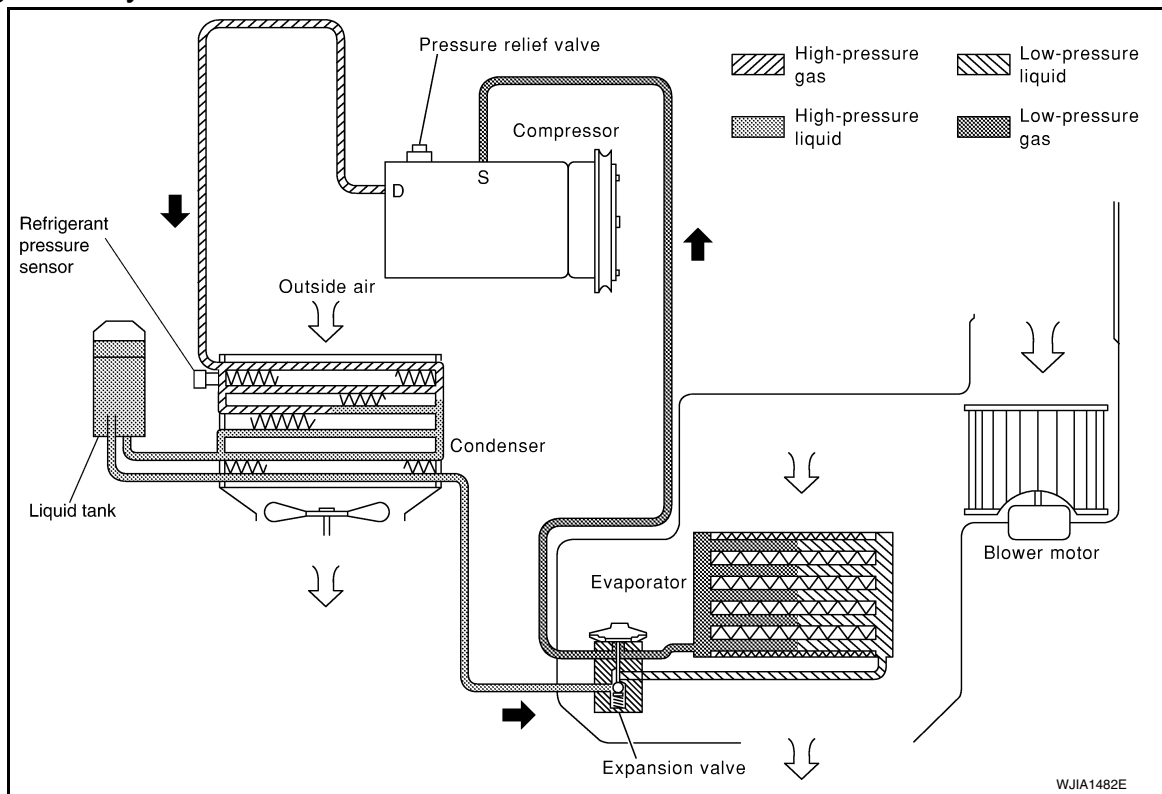
REFRIGERATION SYSTEM

< SYSTEM DESCRIPTION >

SYSTEM DESCRIPTION

REFRIGERATION SYSTEM

Refrigerant Cycle



REFRIGERANT FLOW

The refrigerant flows in the standard pattern. Refrigerant flows through the compressor, condenser, liquid tank, expansion valve, evaporator, and back to the compressor. The refrigerant evaporation through the evaporator coil is controlled by an externally equalized expansion valve, located inside the evaporator case.

FREEZE PROTECTION

The compressor cycles on and off to maintain the evaporator temperature within a specified range. When the evaporator coil temperature falls below a specified point, the intake sensor interrupts the compressor operation. When the evaporator coil temperature rises above the specification, the intake sensor allows compressor operation.

Refrigerant System Protection

INFOID:000000012564956

REFRIGERANT PRESSURE SENSOR

The refrigerant system is protected against excessively high- or low-pressures by the refrigerant pressure sensor, located on the condenser. If the system pressure rises above or falls below the specifications, the refrigerant pressure sensor detects the pressure inside the refrigerant line and sends a voltage signal to the ECM. The ECM de-energizes the A/C relay to disengage the magnetic compressor clutch when pressure on the high pressure side detected by refrigerant pressure sensor is over about 2,746 kPa (28 kg/cm², 398 psi), or below about 120 kPa (1.22 kg/cm², 17.4 psi).

PRESSURE RELIEF VALVE

The refrigerant system is also protected by a pressure relief valve, located in the rear head of the compressor. When the pressure of refrigerant in the system increases to an abnormal level [more than 2,990 kPa (30.5 kg/cm², 433.6 psi)], the release port on the pressure relief valve automatically opens and releases refrigerant into the atmosphere.

REFRIGERATION SYSTEM

< PERIODIC MAINTENANCE >

PERIODIC MAINTENANCE

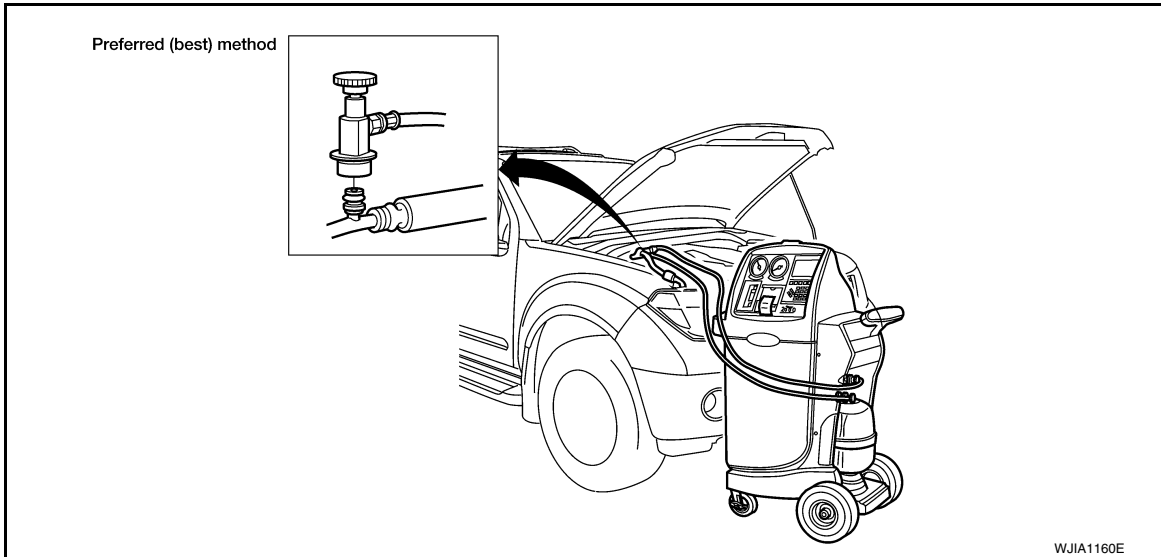
REFRIGERATION SYSTEM

HFC-134a (R-134a) Service Procedure

INFOID:000000012564957

SETTING OF SERVICE TOOLS AND EQUIPMENT

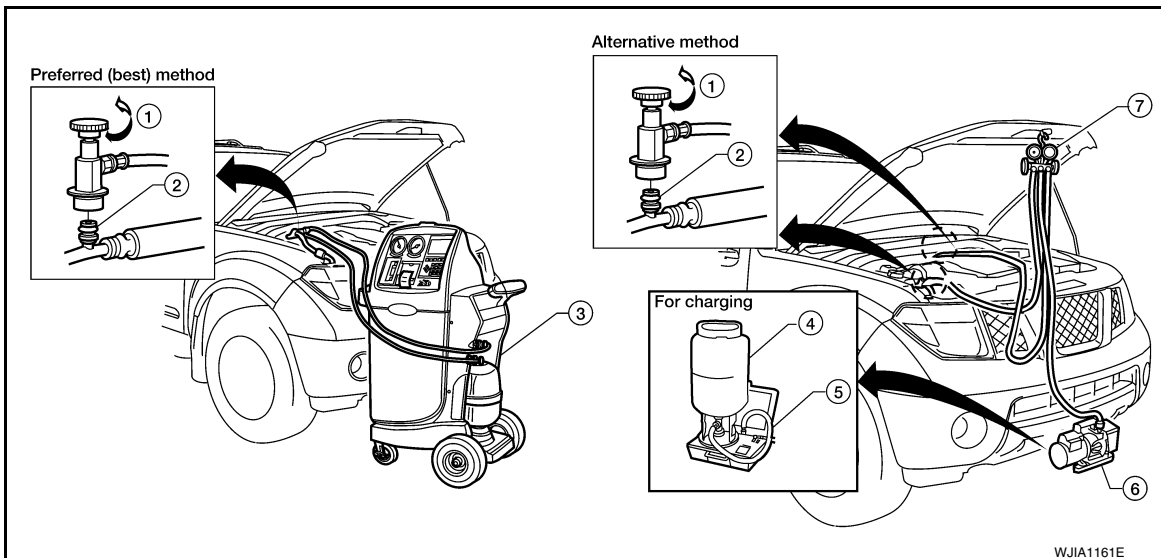
Discharging Refrigerant



WARNING:

Avoid breathing A/C refrigerant and oil vapor or mist. Exposure may irritate eyes, nose and throat. Remove HFC-134a (R-134a) refrigerant from the A/C system using certified service equipment meeting requirements of SAE J2210 HFC-134a (R-134a) recycling equipment or SAE J2201 HFC-134a (R-134a) recovery equipment. If an accidental system discharge occurs, ventilate the work area before resuming service. Additional health and safety information may be obtained from the refrigerant and oil manufacturers.

Evacuating System and Charging Refrigerant



1. Shut-off valve

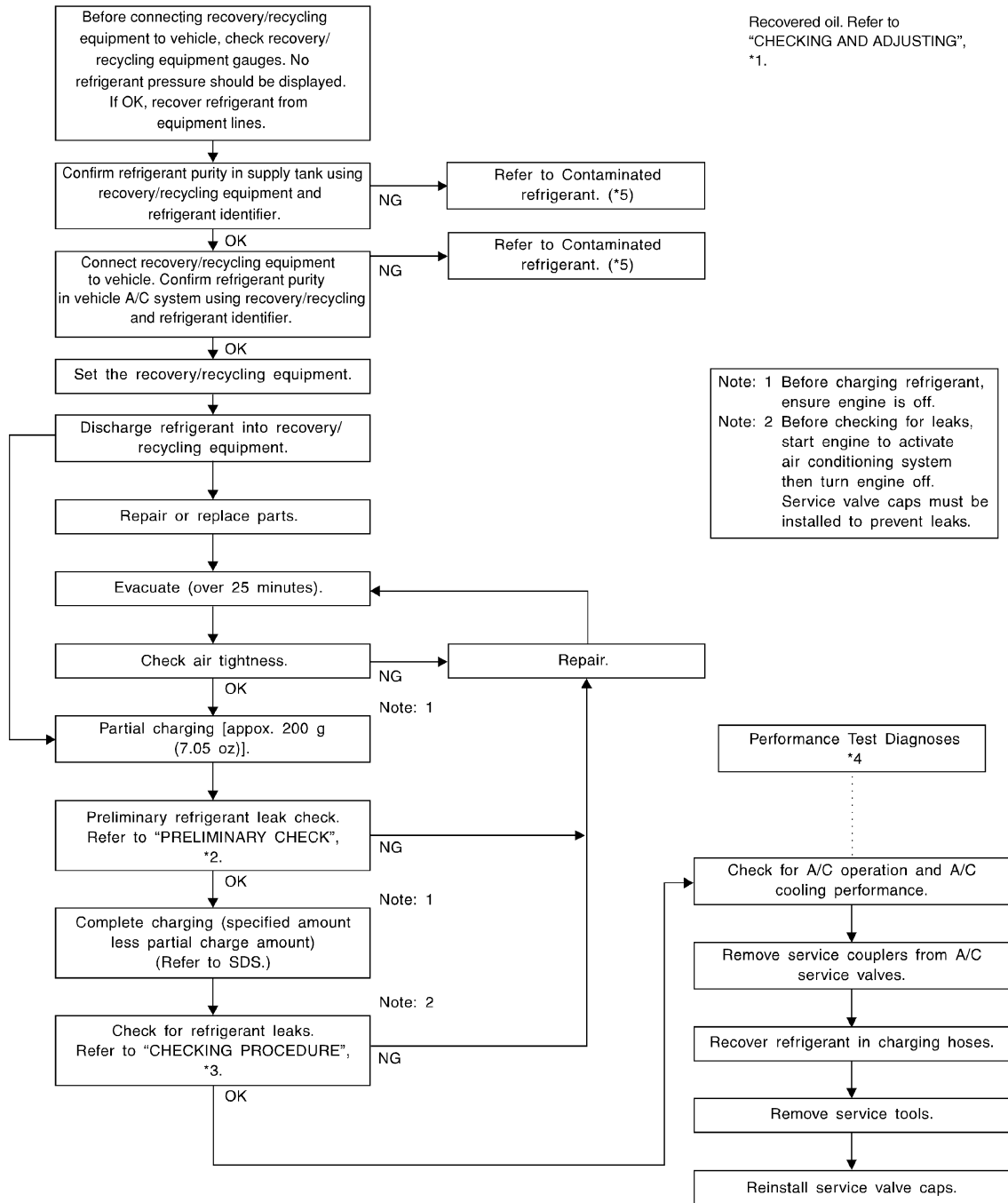
2. A/C service valve

3. Recovery/Recycling equipment

REFRIGERATION SYSTEM

< PERIODIC MAINTENANCE >

- 4. Refrigerant container (HFC-134a)
- 5. Refrigerant weight scale
- 6. Vacuum pump
- 7. Manifold gauge set with hoses and couplers



*1 [HA-14, "HFC-134a \(R-134a\) Service Procedure"](#)

*2 [HA-18, "Checking of Refrigerant Leaks"](#)

*3 [HA-18, "Checking of Refrigerant Leaks"](#)

*4 [HAC-90, "Operational Check"](#)

*5 [HA-3, "Contaminated Refrigerant"](#)

WJIA1923E

OIL

< PERIODIC MAINTENANCE >

OIL

Maintenance of Oil Quantity in Compressor

INFOID:000000012564958

The oil in the compressor circulates through the system with the refrigerant. Add oil to compressor when replacing any component or after a large refrigerant leakage has occurred. It is important to maintain the specified amount.

If oil quantity is not maintained properly, the following malfunctions may result:

- Lack of oil: May lead to a seized compressor
- Excessive oil: Inadequate cooling (thermal exchange interference)

OIL

Name: NISSAN A/C System Oil Type R or equivalent


CHECKING AND ADJUSTING

CAUTION:

- **The use of any other refrigerant or oil will cause severe damage to the air conditioning system and will require the replacement of all air conditioner system components.**
- **If excessive oil leakage is noted, do not perform the oil return operation.**

Start the engine and set the following conditions:

Test Condition

- **Engine speed: Idling to 1,200 rpm**
- **A/C switch: On**
- **Blower fan speed: Max. position**
- **Temp. control: Optional [Set so that intake air temperature is 25° to 30° C (77° to 86°F)]**
- **Intake position: Recirculation ()**
- **Perform oil return operation for about ten minutes**

Adjust the oil quantity according to the following table.

Oil Adjusting Procedure for Components Replacement Except Compressor

After replacing any of the following major components, add the correct amount of oil to the system.

Amount of Oil to be Added

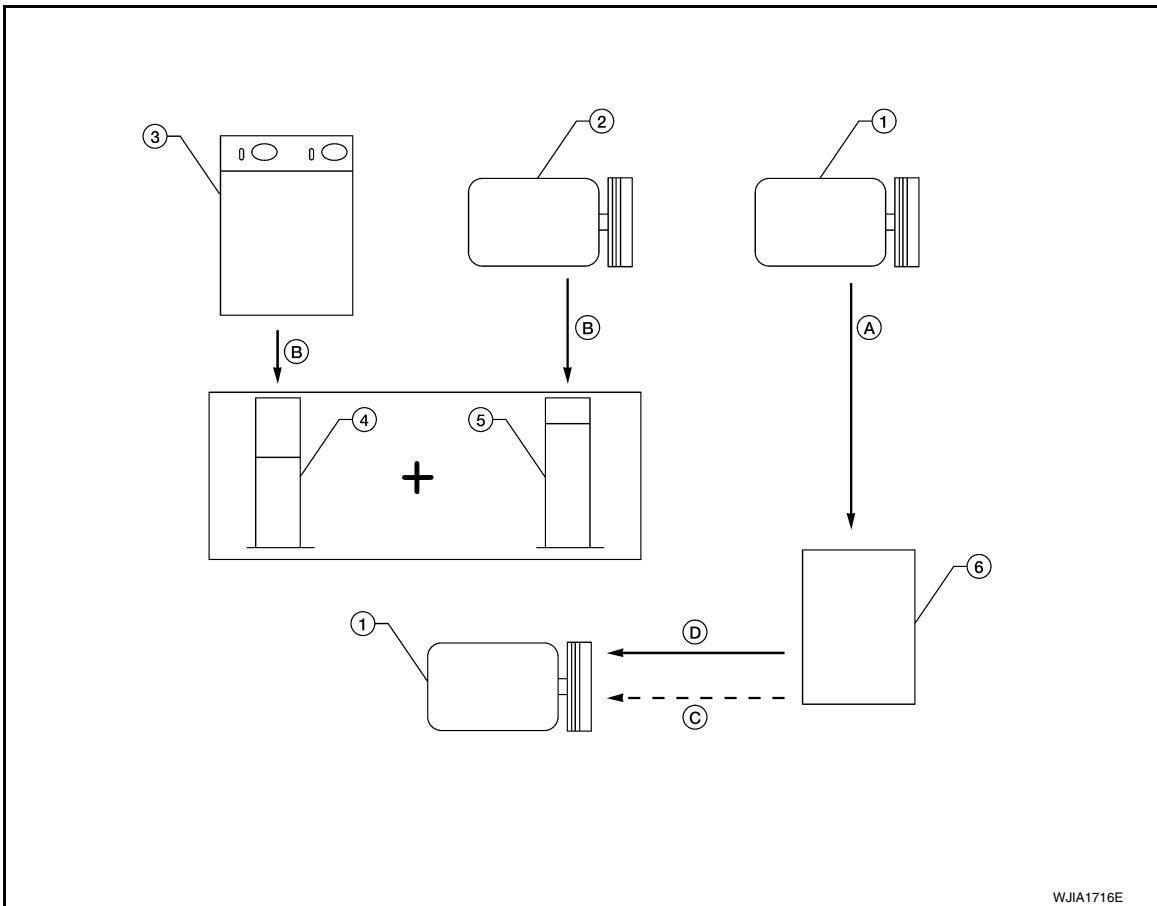
Part replaced	Oil to be added to system	Remarks
	Amount of oil m ℓ (US fl oz, Imp fl oz)	
Evaporator	75 (2.5, 2.6)	—
Condenser	75 (2.5, 2.6)	—
Liquid tank	5 (0.2, 0.2)	Add if compressor is not replaced.
In case of refrigerant leak	30 (1.0, 1.1)	Large leak
	—	Small leak *1

*1: If refrigerant leak is small, no addition of oil is needed.

Oil Adjustment Procedure for Compressor Replacement

OIL

< PERIODIC MAINTENANCE >



- | | | |
|---|-----------------------------------|--|
| 1. New compressor | 2. Old compressor | 3. Recovery/recycling equipment |
| 4. Measuring cup X | 5. Measuring cup Y | 6. New oil |
| A. Drain oil from the new compressor into clean container | B. Record amount of oil recovered | C. Add an additional 5 m ℓ (0.2 US fl oz, 0.2 Imp fl oz) of new oil when replacing liquid tank |
| D. Install new oil equal to recorded amounts in measuring cups X plus Y | | |

- Before connecting recovery/recycling equipment to vehicle, check recovery/recycling equipment gauges. No refrigerant pressure should be displayed. If NG, recover refrigerant from equipment lines.
- Connect recovery/recycling equipment to vehicle. Confirm refrigerant purity in supply tank using recovery/recycling equipment and refrigerant identifier. If NG, refer to [HA-3, "Contaminated Refrigerant"](#).
- Confirm refrigerant purity in vehicle A/C system using recovery/recycling equipment and refrigerant identifier. If NG, refer to [HA-3, "Contaminated Refrigerant"](#).
- Discharge refrigerant into the refrigerant recovery/recycling equipment. Measure oil discharged into the recovery/recycling equipment.
- Drain the oil from the "old" (removed) compressor into a graduated container and recover the amount of oil drained.
- Drain the oil from the "new" compressor into a separate, clean container.
- Measure an amount of new oil installed equal to amount drained from "old" compressor. Add this oil to "new" compressor through the suction port opening.
- Measure an amount of new oil equal to the amount recovered during discharging. Add this oil to "new" compressor through the suction port opening.
- If the liquid tank also needs to be replaced, add an additional 5 m ℓ (0.2 US fl oz, 0.2 Imp fl oz) of oil at this time.
Do not add this 5 m ℓ (0.2 US fl oz, 0.2 Imp fl oz) of oil if only replacing the compressor.

FLUORESCENT LEAK DETECTOR

< PERIODIC MAINTENANCE >

FLUORESCENT LEAK DETECTOR

Checking of Refrigerant Leaks

INFOID:000000012564959

Perform a visual inspection of all refrigeration parts, fittings, hoses and components for signs of A/C oil leakage, damage, and corrosion. Any A/C oil leakage may indicate an area of refrigerant leakage. Allow extra inspection time in these areas when using either an electronic refrigerant leak detector (J-41995) or fluorescent dye leak detector (J-42220).

If any dye is observed using a fluorescent dye leak detector (J-42220), confirm the leak using a electronic refrigerant leak detector (J-41995). It is possible that the dye is from a prior leak that was repaired and not properly cleaned.

When searching for leaks, do not stop when one leak is found but continue to check for additional leaks at all system components and connections.

When searching for refrigerant leaks using an electronic refrigerant leak detector (J-41995), move the probe along the suspected leak area at 25 - 50 mm (1 - 2 in) per second and no further than 6 mm (1/4 in) from the component.

CAUTION:

Moving the electronic refrigerant leak detector probe slower and closer to the suspected leak area will improve the chances of finding a leak.

Checking System for Leaks Using the Fluorescent Dye Leak Detector

INFOID:000000012564960

1. Check the A/C system for leaks using the fluorescent dye leak detector and safety goggles (J-42220) in a low sunlight area (area without windows preferable). Illuminate all components, fittings and lines. The dye will appear as a bright green/yellow area at the point of leakage. Fluorescent dye observed at the evaporator drain opening indicates an evaporator core assembly leak (tubes, core or expansion valve).
2. If the suspected area is difficult to see, use an adjustable mirror or wipe the area with a clean shop rag or cloth, then inspect the shop rag or cloth with the fluorescent dye leak detector (J-42220) for dye residue.
3. After the leak is repaired, remove any residual dye using refrigerant dye cleaner (J-43872) to prevent future misdiagnosis.
4. Perform a system performance check and then verify the leak repair using a electronic refrigerant leak detector (J-41995).

NOTE:

- Other gases in the work area or substances on the A/C components, for example, anti-freeze, windshield washer fluid, solvents and oils, may falsely trigger the leak detector. Make sure the surfaces to be checked are clean.
- Clean with a dry cloth or blow off with shop air.
- Do not allow the sensor tip of the electronic refrigerant leak detector (J-41995) to contact with any substance. This can also cause false readings and may damage the detector.

Dye Injection

INFOID:000000012564961

NOTE:

This procedure is only necessary when recharging the system or when the compressor has seized and must be replaced.

1. Check the A/C system static (at rest) pressure. Pressure must be at least 345 kPa (3.52 kg/cm², 50 psi).
2. Pour one bottle 7.4 cc (1/4 ounce) of the HFC-134a (R-134a) fluorescent leak detection dye (J-41447) into the HFC-134a (R-134a) refrigerant dye injector (J-41459).

CAUTION:

If repairing the A/C system or replacing a component, pour the HFC-134a (R-134a) fluorescent leak detection dye (J-41447) directly into the open system connection and proceed with the service procedures.

3. Connect the refrigerant dye injector (J-41459) to the low-pressure service valve.
4. Start the engine and switch the A/C system ON.
5. When the A/C system is operating (compressor running), inject one bottle 7.4 cc (1/4 ounce) of HFC-134a (R-134a) fluorescent leak detection dye (J-41447) through the low-pressure service valve using HFC-134a (R-134a) refrigerant dye injector (J-41459). Refer to the manufacturer's operating instructions.
6. With the engine still running, disconnect the HFC-134a (R-134a) refrigerant dye injector (J-41459) from the low-pressure service valve.

FLUORESCENT LEAK DETECTOR

< PERIODIC MAINTENANCE >

7. Operate the A/C system for a minimum of 20 minutes to mix the HFC-134a (R-134a) fluorescent leak detection dye (J-41447) with the A/C system oil. Depending on the leak size, operating conditions and location of the leak, it may take from minutes to days for the HFC-134a (R-134a) fluorescent leak detection dye to penetrate an A/C system leak and become visible.

A

B

C

D

E

F

G

H

HA

J

K

L

M

N

O

P

ELECTRICAL LEAK DETECTOR

< PERIODIC MAINTENANCE >

ELECTRICAL LEAK DETECTOR

Checking of Refrigerant Leaks

INFOID:000000012564962

Perform a visual inspection of all refrigeration parts, fittings, hoses and components for signs of A/C oil leakage, damage, and corrosion. Any A/C oil leakage may indicate an area of refrigerant leakage. Allow extra inspection time in these areas when using either an electronic refrigerant leak detector (J-41995) or fluorescent dye leak detector (J-42220).

If any dye is observed using a fluorescent dye leak detector (J-42220), confirm the leak using a electronic refrigerant leak detector (J-41995). It is possible that the dye is from a prior leak that was repaired and not properly cleaned.

When searching for leaks, do not stop when one leak is found but continue to check for additional leaks at all system components and connections.

When searching for refrigerant leaks using an electronic refrigerant leak detector (J-41995), move the probe along the suspected leak area at 25 - 50 mm (1 - 2 in) per second and no further than 6 mm (1/4 in) from the component.

CAUTION:

Moving the electronic refrigerant leak detector probe slower and closer to the suspected leak area will improve the chances of finding a leak.

Electronic Refrigerant Leak Detector

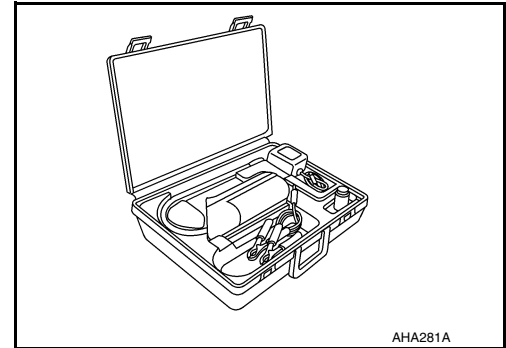
INFOID:000000012564963

PRECAUTIONS FOR HANDLING LEAK DETECTOR

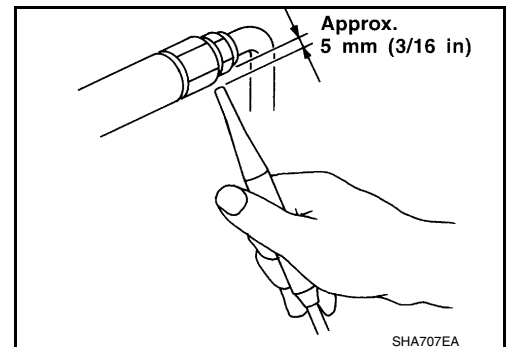
NOTE:

When performing a refrigerant leak check, use a electronic refrigerant leak detector (J-41995) or equivalent. Ensure that the electronic refrigerant leak detector (J-41995) is calibrated and set properly according to the manufacturer's operating instructions.

The electronic refrigerant leak detector (J-41995) is a delicate device. To use the electronic refrigerant leak detector (J-41995) properly, read the manufacturer's operating instructions and perform any specified maintenance.



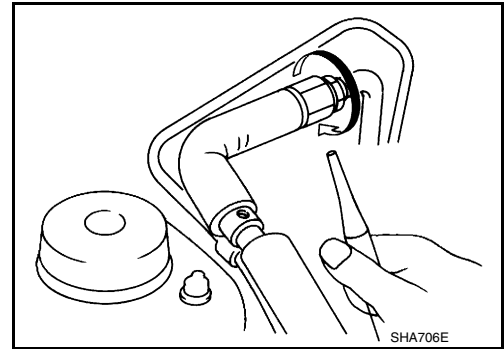
1. Position the probe approximately 5 mm (3/16 in) away from the point to be checked as shown.



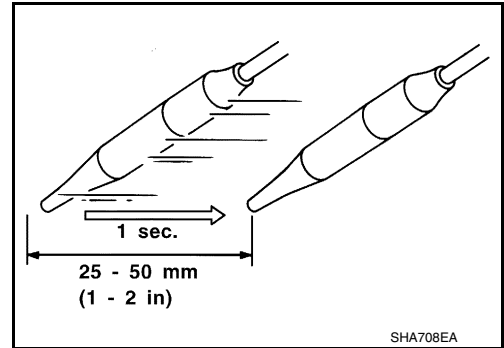
ELECTRICAL LEAK DETECTOR

< PERIODIC MAINTENANCE >

- When checking for leaks, circle each fitting completely with the probe as shown.



- Move the probe along each component at a speed of approximately 25 - 50 mm (1 - 2 in)/second as shown.



CHECKING PROCEDURE

NOTE:

To prevent inaccurate or false readings, make sure there is no refrigerant vapor, shop chemicals, or cigarette smoke in the vicinity of the vehicle. Perform the leak test in a calm area (low air/wind movement) so that the leaking refrigerant is not dispersed.

- Turn the engine OFF.
- Connect the manifold gauge set (J-39183-C) to the A/C service ports. Refer to [HA-7. "Precaution for Service Equipment"](#).
- Check if the A/C refrigerant pressure is at least 345 kPa (3.52 kg/cm², 50 psi) above a temperature of 16°C (61°F). If less than specification, recover/evacuate and recharge the system with the specified amount of refrigerant. Refer to [HA-14. "HFC-134a \(R-134a\) Service Procedure"](#).

NOTE:

At temperatures below 16°C (61°F), leaks may not be detected since the system may not reach 345 kPa (3.52 kg/cm², 50 psi) pressure.

- Perform the leak test from the high-pressure side (A/C compressor discharge "a" to evaporator inlet "f") to the low-pressure side (A/C evaporator drain hose "g" to shaft seal "k"). Refer to [HA-23. "Component"](#). Clean the component to be checked and carefully move the electronic refrigerant leak detector probe completely around the following connections and components.

- Check the compressor shaft seal
- Check the high and low-pressure pipe and hose fittings, relief valve, and compressor shaft seal
- Check the liquid tank
- Check the refrigerant pressure sensor
- Check all around the service valves. Check that the service valve caps are screwed tightly on the service valves (to prevent leaks).

NOTE:

After removing manifold gauge set (J-39183-C) from the service valves, wipe any residue from the service valves to prevent any false readings by the electronic refrigerant leak detector (J-41995).

- Evaporator

With engine OFF, turn blower fan on "High" for at least 15 seconds to dissipate any refrigerant trace in the heater and cooling unit assembly. Wait a minimum of 10 minutes accumulation time (refer to the manufacturer's recommended procedure for actual wait time) before inserting the electronic refrigerant leak detector probe into the heater and cooling unit assembly drain hose.

NOTE:

Keep the probe inserted for at least 10 seconds. Use caution not to contaminate the probe tip with water or dirt that may be in the drain hose.

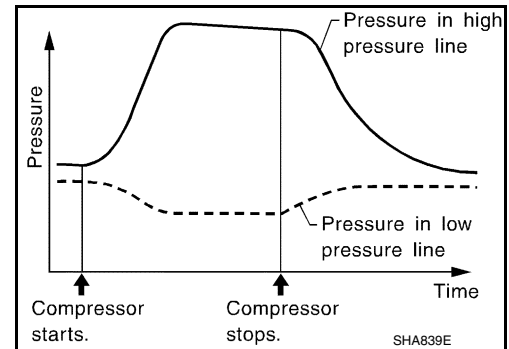
A
B
C
D
E
F
G
H
HA
J
K
L
M
N
O
P

ELECTRICAL LEAK DETECTOR

< PERIODIC MAINTENANCE >

5. If a leak is detected, verify at least once by blowing compressed air into the area of the suspected leak, then repeat the leak check.
6. Do not stop when one leak is found. Continue to check for additional leaks at all system components and connections.
7. If no leaks are found, perform steps 8 - 11.
8. Start the engine.
9. Set the heater A/C controls as follows:
 - a. A/C switch to ON
 - b. Air flow to VENT mode
 - c. Intake position to RECIRCULATION mode
 - d. Temperature to MAX cold
 - e. Blower fan speed to HIGH
10. Run the engine at 1,500 rpm for at least 2 minutes.
11. Turn the engine OFF and perform the leak check again following steps 4 through 6 above.

Refrigerant leaks should be checked immediately after turning the engine OFF. Begin with the leak detector at the compressor. The pressure on the high pressure side will gradually drop after the refrigerant circulation stops and pressure on the low pressure side will gradually rise, as shown in the graph. Some leaks are more easily detected when the pressure is high.



12. Before connecting the recovery/recycling equipment to the vehicle, check the recovery/recycling equipment gauges. No refrigerant pressure should be displayed. If pressure is displayed, recover the refrigerant from the equipment lines and then check the refrigerant purity.
13. Confirm refrigerant purity in supply tank using recovery/recycling equipment and refrigerant identifier equipment.
14. Confirm the refrigerant purity in the vehicle's A/C system using recovery/recycling equipment and refrigerant identifier equipment.
15. Discharge the A/C system using recovery/recycling equipment. Repair the leaking fitting or component as necessary.
16. Evacuate and recharge the A/C system and perform the leak test to confirm that there are no refrigerant leaks.
17. Conduct the Operational Check to ensure system works properly. Refer to [HAC-90. "Operational Check"](#).

REFRIGERATION SYSTEM

< REMOVAL AND INSTALLATION >

REMOVAL AND INSTALLATION

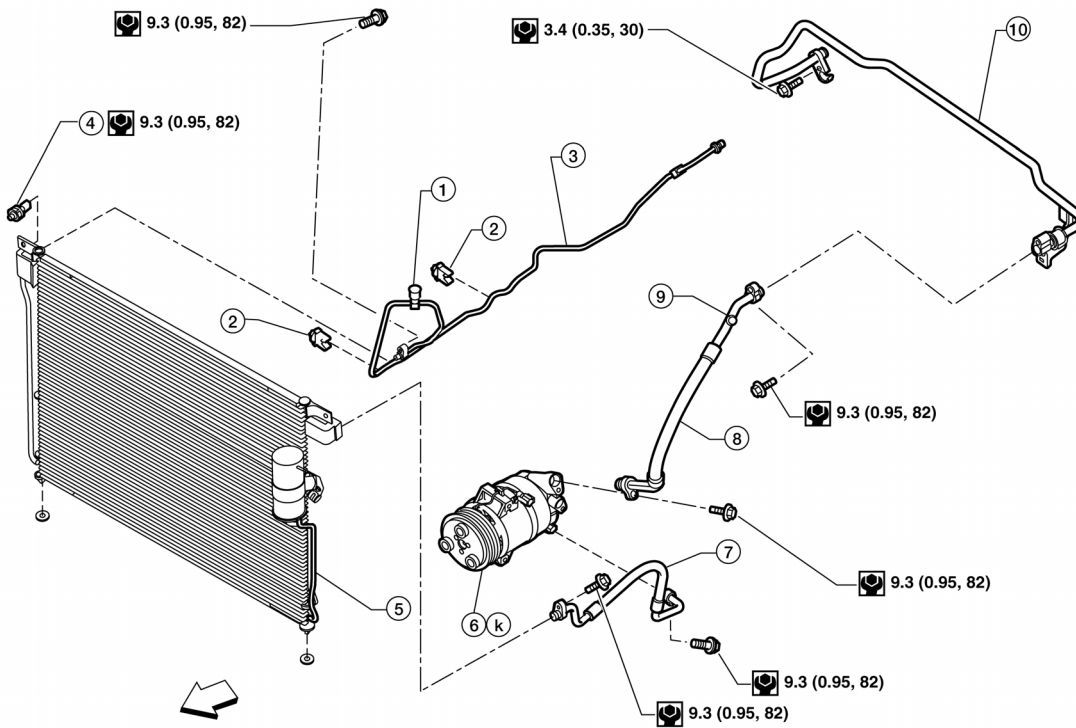
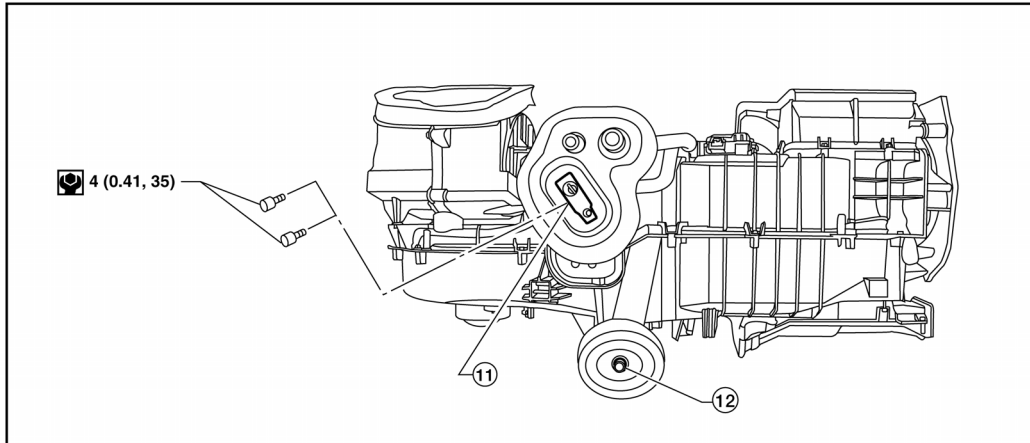
REFRIGERATION SYSTEM

Component

INFOID:000000012564964

A/C Compressor and Condenser

SEC. 270 • 271 • 274 • 276



AWI1A1530GB

A
B
C
D
E
F
G
H
HA
J
K
L
M
N
O
P

REFRIGERATION SYSTEM

< REMOVAL AND INSTALLATION >

- | | | |
|------------------------------------|-----------------------------------|-------------------------------|
| 1. High-pressure service valve | 2. Clip | 3. High-pressure A/C pipe |
| 4. Refrigerant pressure sensor | 5. Condenser | 6. Compressor shaft seal |
| 7. High-pressure flexible A/C hose | 8. Low-pressure flexible A/C hose | 9. Low-pressure service valve |
| 10. Low-pressure A/C pipe | 11. Expansion valve | 12. A/C drain hose |
- ⇐ Front

NOTE:

Refer to [HA-4, "Precaution for Refrigerant Connection"](#).

COMPRESSOR

< REMOVAL AND INSTALLATION >

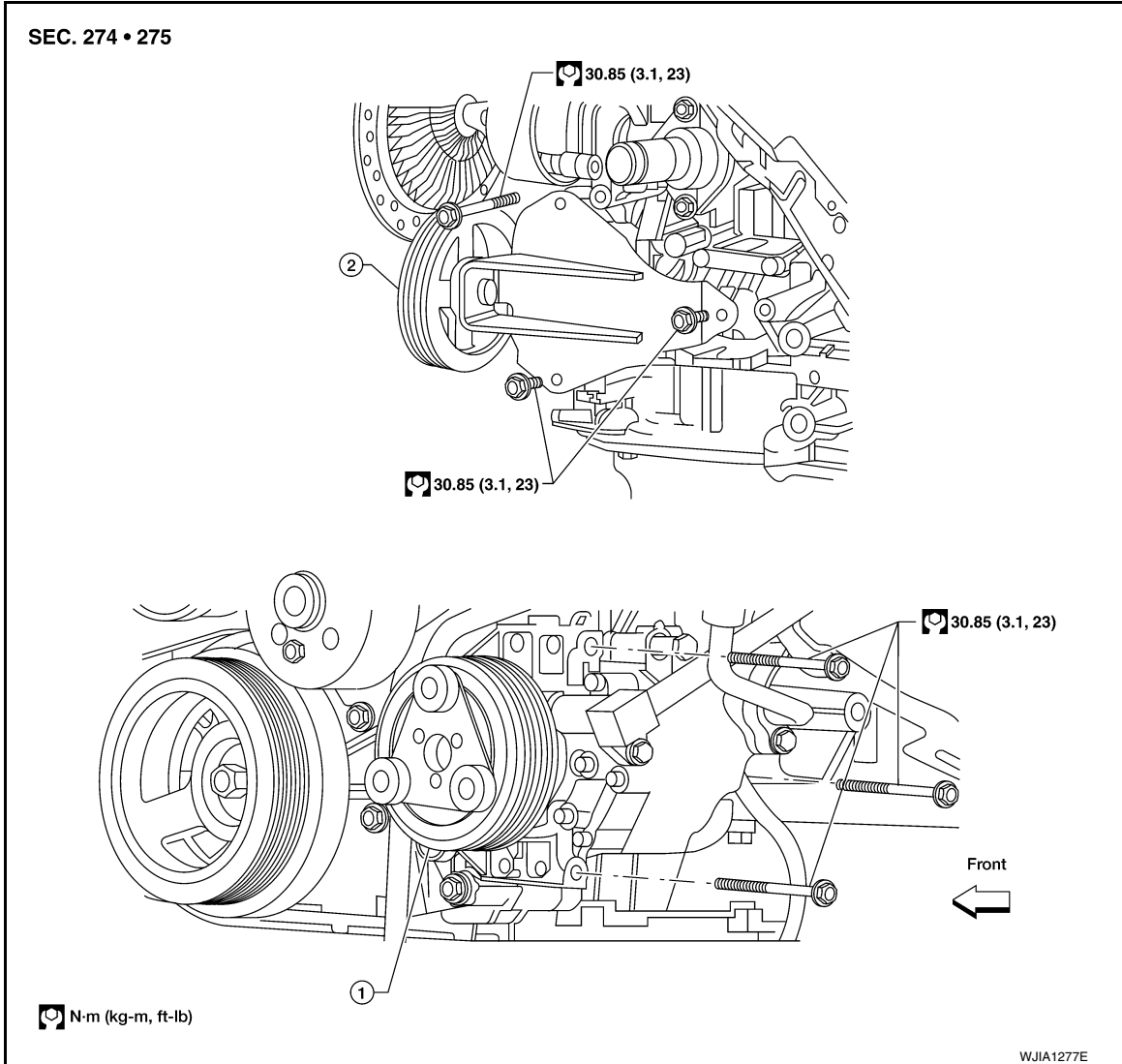
COMPRESSOR

Removal and Installation for Compressor

INFOID:000000012564965

COMPONENTS

A/C Compressor Mounting - QR25DE



1. Compressor

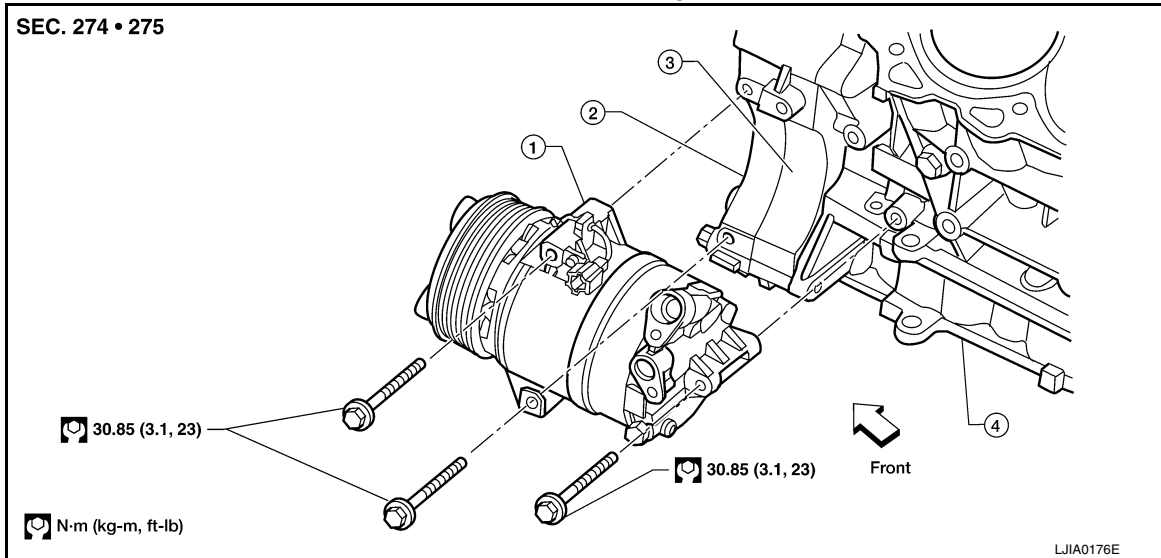
2. Compressor idler bracket

A
B
C
D
E
F
G
H
HA
J
K
L
M
N
O
P

COMPRESSOR

< REMOVAL AND INSTALLATION >

A/C Compressor Mounting - VQ40DE



1. Compressor
2. Front timing chain case
3. Rear timing chain case
4. Cylinder block

REMOVAL

1. Discharge the A/C refrigerant. Refer to [HA-14, "HFC-134a \(R-134a\) Service Procedure"](#).
2. Remove the front wheel and tire (LH) using power tool (for VQ40DE only). Refer to [WT-48, "Adjustment"](#).
3. Remove the front fender protector (LH) (for VQ40DE only). Refer to [EXT-27, "Removal and Installation of Front Fender Protector"](#).
4. Remove the engine room cover (for VQ40DE only). Refer to [EM-141, "Removal and Installation"](#).
5. Remove the drive belt. Refer to [EM-14, "Removal and Installation"](#) (QR25DE), [EM-130, "Removal and Installation"](#) (VQ40DE).
6. Disconnect the harness connector from the compressor.
7. Disconnect both the high-pressure flexible A/C hose and low-pressure flexible A/C hose from the compressor.

CAUTION:

Cap or wrap the joint of the pipe with suitable material such as vinyl tape to avoid the entry of air.

8. Remove the A/C compressor bolts using power tool.

NOTE:

For the QR25DE engine, the upper compressor bolt is longer than the other compressor bolts and can only be removed by repositioning the compressor after all the bolts have been loosened.

INSTALLATION

Installation is in the reverse order of removal.

CAUTION:

- Do not reuse O-rings.
- Apply A/C oil to the O-ring of the low-pressure flexible A/C hose and high-pressure flexible A/C hose for installation.
- After recharging the A/C system with refrigerant, check for leaks. Refer to [HA-18, "Checking of Refrigerant Leaks"](#).

NOTE:

For the QR25DE engine, the upper compressor bolt is longer than the other compressor bolts and must be installed in the compressor before positioning the compressor for installation.

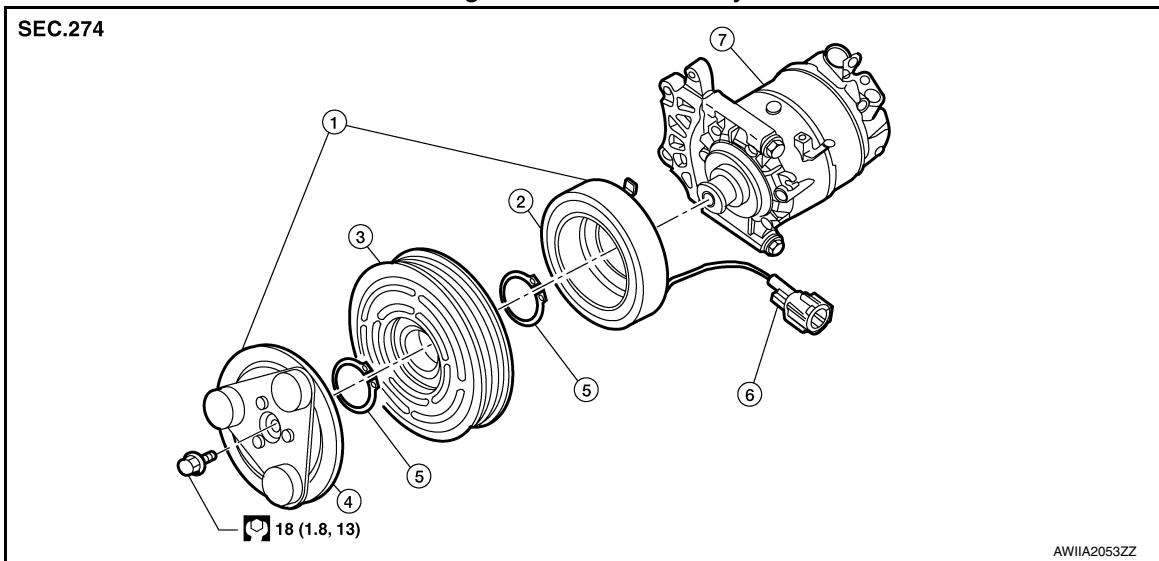
COMPRESSOR

< REMOVAL AND INSTALLATION >

Removal and Installation for Compressor Clutch

INFOID:000000012564966

Magnet Clutch Assembly



- | | | |
|---------------------------|----------------|---------------------------------|
| 1. Magnet clutch assembly | 2. Magnet coil | 3. Pulley |
| 4. Clutch disc | 5. Snap ring | 6. Thermal protector (built in) |
| 7. Compressor | | |

NOTE:

Illustrations for removal and installation are shown with the compressor out of the vehicle for clarity.

REMOVAL

1. Remove the engine room cover (VQ40DE only). Refer to [EM-141, "Removal and Installation"](#).
2. Remove the cooling fan. Refer to [CO-19, "Removal and Installation \(Crankshaft driven type\)"](#) (QR25DE), [CO-47, "Removal and Installation \(Crankshaft driven type\)"](#) (VQ40DE).
3. Remove the center bolt while holding the clutch disc stationary using Tool as shown.

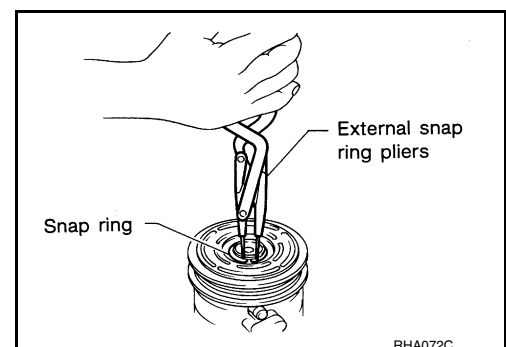
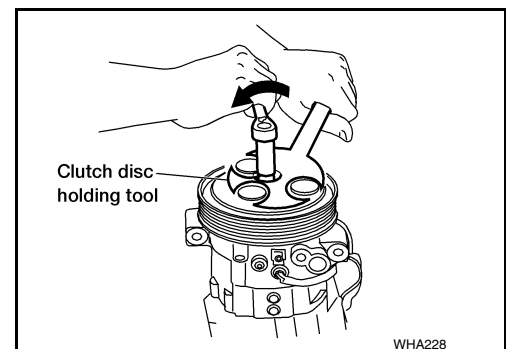
Tool number : — (J-44614)

4. Remove the clutch disc and shims.

CAUTION:

Retain the shims for installation.

5. Remove the snap ring using a suitable tool.



COMPRESSOR

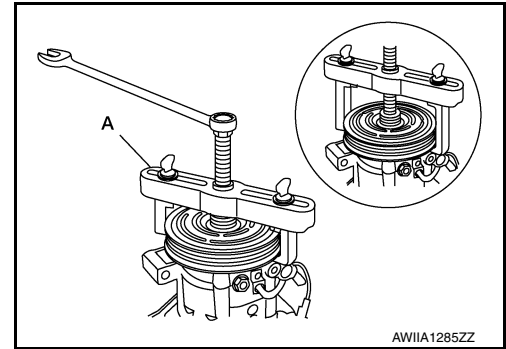
< REMOVAL AND INSTALLATION >

6. Remove the pulley using Tool (A) (QR25DE), or suitable tool (A) (VQ40DE).

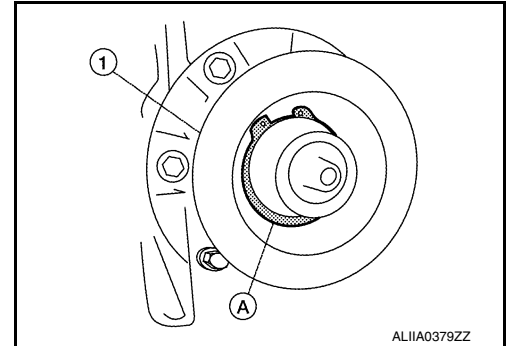
**Tool number (A) : KV99233130 (J-29884)
(QR25DE only)**

CAUTION:

To prevent deformation of the pulley groove, the puller claws should be hooked under the pulley groove and not into the pulley groove.



7. Remove the magnet coil snap ring (A) using a suitable tool and remove the magnet coil (1).



INSPECTION

Clutch Disc

If the contact surface shows signs of damage due to excessive heat, replace clutch disc and pulley.

Pulley

Check the appearance of the pulley assembly. If contact surface of pulley shows signs of excessive grooving, replace clutch disc and pulley. The contact surfaces of the pulley assembly should be cleaned with a suitable solvent before reinstallation.

Coil

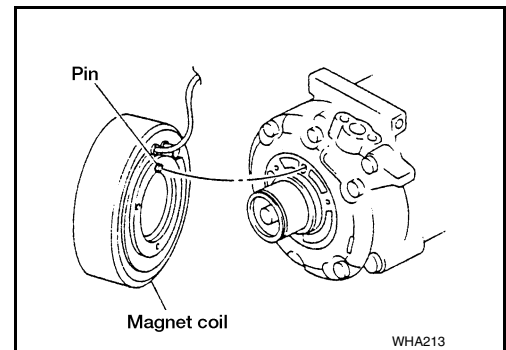
Check magnet coil for loose connections or any cracked insulation. Replace as necessary.

INSTALLATION

1. Install the magnet coil and snap ring using a suitable tool.

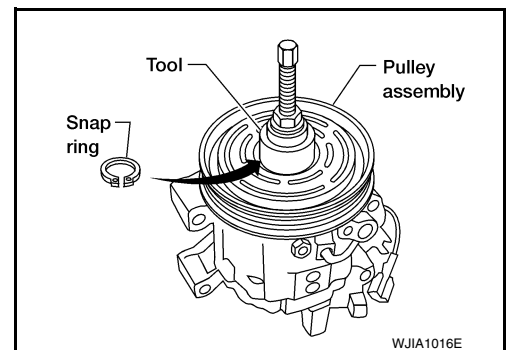
CAUTION:

Be sure to align the magnet coil pin with the hole in the compressor front head.



2. Install the pulley assembly using Tool and a wrench, then install the snap ring using a suitable tool.

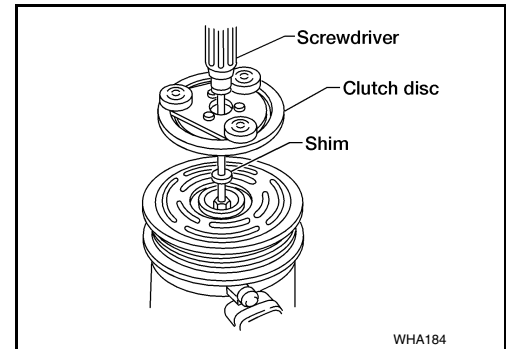
Tool number : — (J-38873-A)



COMPRESSOR

< REMOVAL AND INSTALLATION >

3. Install the clutch disc on the compressor shaft, together with all of the original shim(s) using a suitable tool. Press the clutch disc in by hand.

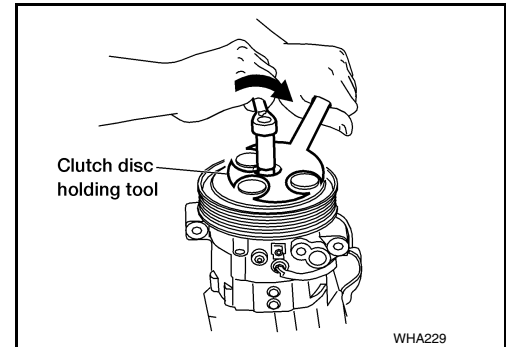


4. Install the clutch pulley bolt while using Tool to prevent the clutch disc from turning and tighten the bolt to specification.

Tool number : — (J-44614)

CAUTION:

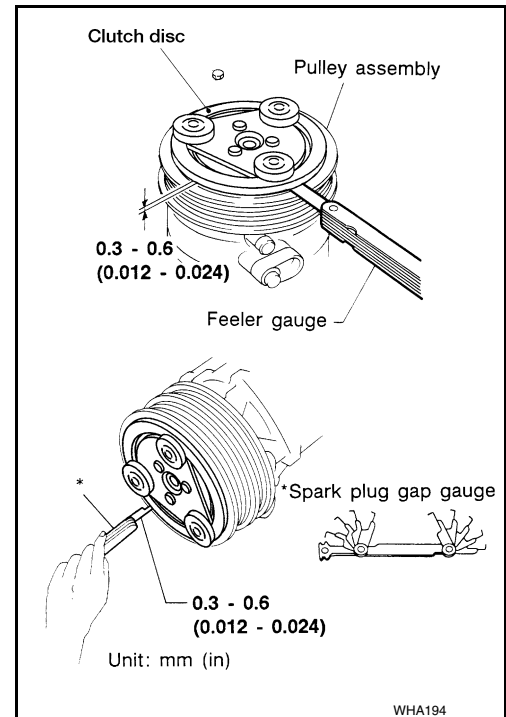
After tightening the clutch pulley bolt, check that the clutch pulley rotates smoothly.



5. Check the pulley clearance all the way around the clutch disc as shown.

Clutch disc-to-pulley clearance : 0.3 - 0.6 mm
(0.012 - 0.024 in)

6. If the specified clearance is not obtained, replace the adjusting spacer to readjust.
7. Install the cooling fan. Refer to [CO-19, "Removal and Installation \(Crankshaft driven type\)"](#) (QR25DE), [CO-47, "Removal and Installation \(Crankshaft driven type\)"](#) (VQ40DE).
8. Install the engine room cover (VQ40DE only). Refer to [EM-141, "Removal and Installation"](#).



BREAK-IN OPERATION

When replacing compressor clutch assembly, always conduct the break-in operation. This is done by engaging and disengaging the clutch about 30 times. Break-in operation raises the level of transmitted torque.

HIGH-PRESSURE FLEXIBLE HOSE

< REMOVAL AND INSTALLATION >

HIGH-PRESSURE FLEXIBLE HOSE

Removal and Installation

INFOID:000000012564967

REMOVAL

1. Remove the front wheel and tire (LH) using power tool. Refer to [WT-48, "Adjustment"](#).
2. Remove the front mudguard (LH). Refer to [EXT-29, "Removal and Installation"](#).
3. Remove the front fender protector (LH). Refer to [EXT-27, "Removal and Installation of Front Fender Protector"](#).
4. Discharge the refrigerant. Refer to [HA-14, "HFC-134a \(R-134a\) Service Procedure"](#).
5. Remove the high-pressure flexible A/C hose.

CAUTION:

Cap or wrap the joint of the pipe with suitable material such as vinyl tape to avoid the entry of air.

INSTALLATION

Installation is in the reverse order of removal.

Refer to [HA-23, "Component"](#).

CAUTION:

- Do not reuse O-rings.
- Apply A/C oil to the O-ring of the high-pressure flexible A/C hose for installation.
- After charging refrigerant, check for leaks.

HIGH-PRESSURE PIPE

< REMOVAL AND INSTALLATION >

HIGH-PRESSURE PIPE

Removal and Installation

INFOID:000000012564968

REMOVAL

1. Remove the front wheel and tire (RH) using power tool (VQ40DE only). Refer to [WT-48, "Adjustment"](#).
2. Remove the front mudguard (RH) (VQ40DE only). Refer to [EXT-29, "Removal and Installation"](#).
3. Remove the front fender protector (RH) (VQ40DE only). Refer to [EXT-27, "Removal and Installation of Front Fender Protector"](#).
4. Discharge the refrigerant. Refer to [HA-14, "HFC-134a \(R-134a\) Service Procedure"](#).
5. Remove the low pressure A/C pipe. Refer to [HA-33, "Removal and Installation"](#).
6. Remove the high-pressure A/C pipe.

CAUTION:

Cap or wrap the joint of the pipe with suitable material such as vinyl tape to avoid the entry of air.

INSTALLATION

Installation is in the reverse order of removal.

Refer to [HA-23, "Component"](#).

CAUTION:

- Do not reuse O-rings.
- Apply A/C oil to the O-ring of the high-pressure A/C pipe for installation.
- After charging refrigerant, check for leaks.

A

B

C

D

E

F

G

H

HA

J

K

L

M

N

O

P

LOW-PRESSURE FLEXIBLE HOSE

< REMOVAL AND INSTALLATION >

LOW-PRESSURE FLEXIBLE HOSE

Removal and Installation

INFOID:000000012564969

REMOVAL

1. Remove the front wheel and tire (RH) using power tool (VQ40DE only). Refer to [WT-48, "Adjustment"](#).
2. Remove the front mudguard (RH) (VQ40DE only). Refer to [EXT-29, "Removal and Installation"](#).
3. Remove the front fender protector (RH) (VQ40DE only). Refer to [EXT-27, "Removal and Installation of Front Fender Protector"](#).
4. Discharge the refrigerant. Refer to [HA-14, "HFC-134a \(R-134a\) Service Procedure"](#).
CAUTION:
Cap or wrap the joint of the pipe with suitable material such as vinyl tape to avoid the entry of air.
5. Remove the low-pressure flexible A/C hose.

INSTALLATION

Installation is in the reverse order of removal.

Refer to [HA-23, "Component"](#).

CAUTION:

- Do not reuse O-rings.
- Apply A/C oil to the O-ring of the low-pressure flexible A/C hose for installation.
- After charging refrigerant, check for leaks.

LOW-PRESSURE PIPE

< REMOVAL AND INSTALLATION >

LOW-PRESSURE PIPE

Removal and Installation

INFOID:000000012564970

REMOVAL

1. Discharge the refrigerant. Refer to [HA-14. "HFC-134a \(R-134a\) Service Procedure"](#).
2. Disconnect the low-pressure flexible A/C hose from the low pressure pipe.
CAUTION:
Cap or wrap the joint of the pipe with suitable material such as vinyl tape to avoid the entry of air.
3. Remove the low pressure pipe from the expansion valve.
CAUTION:
Cap or wrap the joint of the pipe with suitable material such as vinyl tape to avoid the entry of air.
4. Remove the low-pressure A/C pipe.

INSTALLATION

Installation is in the reverse order of removal.
Refer to [HA-23. "Component"](#).

CAUTION:

- Do not reuse O-rings.
- Apply A/C oil to the O-ring of the low-pressure A/C pipe for installation.
- After charging refrigerant, check for leaks.

A
B
C
D
E
F
G
H
HA
J
K
L
M
N
O
P

CONDENSER

< REMOVAL AND INSTALLATION >

CONDENSER

Removal and Installation

INFOID:000000012564971

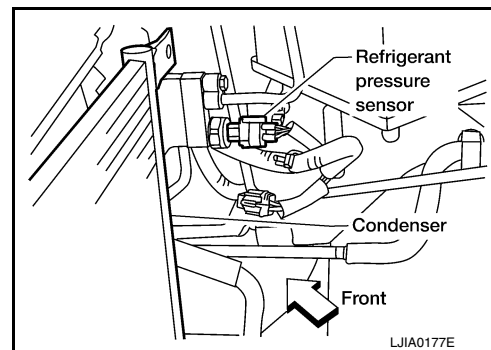
REMOVAL

1. Discharge the refrigerant. Refer to [HA-14, "HFC-134a \(R-134a\) Service Procedure"](#).
2. Disconnect the harness connector from the engine cooling fan (VQ40DE-Motor driven type).
3. Remove the engine cooling fan. Refer to [CO-19, "Removal and Installation \(Crankshaft driven type\)"](#) (QR25DE), or [CO-47, "Removal and Installation \(Crankshaft driven type\)"](#) (VQ40DE - Crankshaft driven type), or [CO-48, "Removal and Installation \(Motor driven type\)"](#) (VQ40DE - Motor driven type).
4. Remove the radiator. Refer to [CO-16, "Removal and Installation"](#) (QR25DE), [CO-44, "Removal and Installation"](#) (VQ40DE).

CAUTION:

Do not damage the core surface of the condenser and the radiator.

5. Disconnect the high-pressure flexible A/C hose and the high-pressure A/C pipe from the condenser.
CAUTION:
Cap or wrap the joint of the pipes with suitable material such as vinyl tape to avoid the entry of air.
6. Disconnect the harness connector from the refrigerant pressure sensor.



7. Remove the refrigerant pressure sensor from the condenser.
8. Lift the condenser out of the mounting grommets and remove the condenser.

INSTALLATION

Installation is in the reverse order of removal.

Refer to [HA-23, "Component"](#).

CAUTION:

- Do not reuse O-rings.
- Apply A/C oil to the O-rings of the high-pressure A/C pipe, refrigerant pressure sensor, and high-pressure flexible A/C hose for installation.
- After charging refrigerant, check for leaks.
- Replace the mounting grommets as necessary.

AMBIENT SENSOR

< REMOVAL AND INSTALLATION >

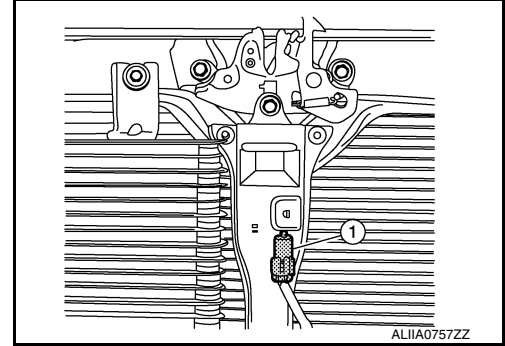
AMBIENT SENSOR

Removal and Installation

INFOID:000000012564972

Removal

1. Remove the front grille. Refer to [EXT-23, "Removal and Installation"](#).
2. Disconnect the harness connector from the ambient sensor (1).
3. Release the ambient sensor (1) clip and remove.



Installation

Installation is in the reverse order of removal.

A

B

C

D

E

F

G

H

HA

J

K

L

M

N

O

P

REFRIGERANT PRESSURE SENSOR

< REMOVAL AND INSTALLATION >

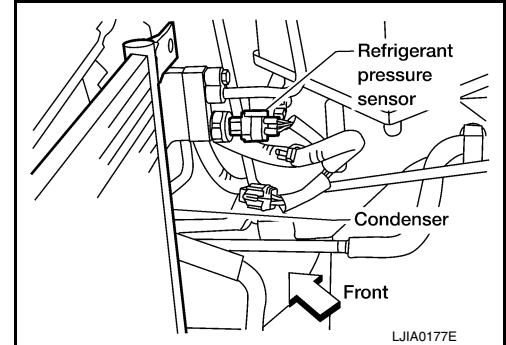
REFRIGERANT PRESSURE SENSOR

Removal and Installation

INFOID:000000012564973

REMOVAL

1. Discharge the refrigerant. Refer to [HA-14. "HFC-134a \(R-134a\) Service Procedure"](#).
2. Disconnect the harness connector from the refrigerant pressure sensor.



3. Remove the refrigerant pressure sensor from the condenser.

CAUTION:

Do not damage the condenser fins.

INSTALLATION

Installation is in the reverse order of removal.

Refer to [HA-23. "Component"](#).

CAUTION:

- Do not damage the condenser fins.
- Do not reuse O-rings.
- Apply A/C oil to the O-ring of the refrigerant pressure sensor for installation.
- After charging refrigerant, check for leaks.

EXPANSION VALVE

< REMOVAL AND INSTALLATION >

EXPANSION VALVE

Removal and Installation

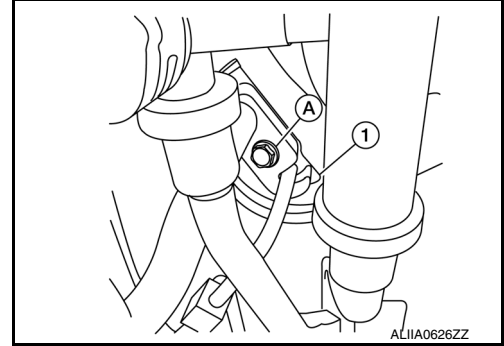
INFOID:000000012564974

REMOVAL

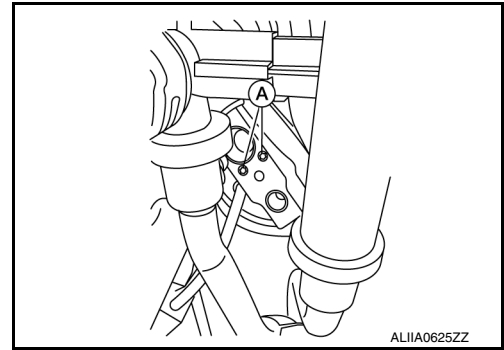
1. Discharge the refrigerant. Refer to [HA-14. "HFC-134a \(R-134a\) Service Procedure"](#).
2. Remove the high-pressure pipe and low-pressure pipe bolt (A) from the expansion valve (1).

CAUTION:

Cap or wrap the A/C refrigerant pipe ends and the evaporator pipe ends with a suitable material such as vinyl tape to avoid the entry of air and contaminants.



3. Remove the expansion valve bolts (A).



4. Remove the expansion valve.

INSTALLATION

Installation is in the reverse order of removal.

Expansion valve bolts : Refer to [HA-23. "Component"](#).

A/C refrigerant pipe to expansion valve bolt : Refer to [HA-23. "Component"](#).

CAUTION:

- Do not reuse O-rings.
- Apply A/C oil to the O-rings on then expansion valve and the A/C refrigerant pipes for installation.
- After charging refrigerant, check for leaks.

A
B
C
D
E
F
G
H
HA
J
K
L
M
N
O
P

SERVICE DATA AND SPECIFICATIONS (SDS)

< SERVICE DATA AND SPECIFICATIONS (SDS)

SERVICE DATA AND SPECIFICATIONS (SDS)

SERVICE DATA AND SPECIFICATIONS (SDS)

Service Data and Specification (SDS)

INFOID:0000000012564975

COMPRESSOR

Make *	CALSONIC KANSEI CO. LTD.
Model	CR-14
Type	Vane rotary (5 vanes)
Displacement	144 cm ³ (8.79 in ³) / revolution
Relief valve set pressure	3800 ± 300 kPa (38.76 ± 3.06 kg/cm ² , 551.0 ± 43.5 psi)
Direction of rotation	Clockwise (viewed from drive end)
Drive belt	Poly V ribbed

OIL

Description	Genuine NISSAN A/C System Oil Type R
Capacity	180 ± 10 mℓ (6.1 ± 0.3 US fl oz, 6.3 ± 0.4 Imp fl oz)

REFRIGERANT

Type	HFC 134a (R-134a)
Capacity	0.70 ± 0.05 kg (1.54 ± 0.11 lb)

*: Always check with the Part Department for latest parts information.