

SCHEDULED SERVICES

1992 Infiniti G20

1991-96 MAINTENANCE
Infiniti Maintenance & Service Intervals

G20

* PLEASE READ THIS FIRST *

NOTE: All SERVICE SCHEDULES are listed for normal service vehicles. If vehicle is operated under severe service conditions, see SEVERE SERVICE REQUIREMENTS (PERFORM W/SERVICE SCHEDULES) for items requiring additional maintenance.

NOTE: This article contains scheduled maintenance service information. Fluid types and capacities listed with each service in this article are only those necessary to perform that scheduled service. For specifications pertaining to fluid capacities for the entire vehicle, fuse and circuit breaker identification, wheel and tire size, battery type, warranty information, or model identification refer to the MAINTENANCE INFORMATION article in this section.

CAUTIONS & WARNINGS

SUPPLEMENTAL RESTRAINT SYSTEM (AIR BAG)

NOTE: See the AIR BAGS article in the ACCESSORIES/SAFETY EQUIPMENT Section.

Modifications or improper maintenance, including incorrect removal and installation of the Supplemental Restraint System (SRS), can adversely affect system performance. DO NOT cover, obstruct or change the steering wheel horn pad in any way, as such action could cause improper function of the system. Use only plain water when cleaning the horn pad. Solvents or cleaners could adversely affect the air bag cover and cause improper deployment of the system.

WARNING: To avoid injury from accidental air bag deployment, read and carefully follow all warnings and service precautions. See appropriate AIR BAGS article in ACCESSORIES/SAFETY EQUIPMENT.

CAUTION: Disconnect negative battery cable before servicing any air bag system, steering column or passenger side dash component. After any repair, turn ignition key to the ON position from passenger's side of vehicle in case of accidental air bag inflation

AIR CONDITIONING SERVICING

CAUTION: Avoid breathing R-134a refrigerant and PAG lubricant vapors, exposure may irritate eyes, nose and throat. To remove R-134a from system use R-134a recycling equipment that meets SAE J2210 specifications. If accidental system discharge occurs, ventilate work area before resuming service.

WARNING: R-134a service equipment or vehicle A/C systems SHOULD NOT be pressure tested or leak tested with compressed air. Some mixtures of air/R134a have shown to be combustible at

elevated pressures. These mixtures are dangerous and may cause fire and/or explosions. See AIR CONDITIONING SERVICE article in GENERAL INFORMATION section.

ANTI-LOCK BRAKE SYSTEM

The anti-lock brake system contains electronic equipment that can be susceptible to interference caused by improperly installed or high output radio transmitting equipment. Since this interference could cause the possible loss of the anti-lock braking capability, such equipment should be installed by qualified professionals.

On models equipped with anti-lock brake systems, ALWAYS observe the following cautions:

- * DO NOT attempt to bleed hydraulic system without first referring to the appropriate ANTI-LOCK BRAKE SYSTEM article in the BRAKES Section.
- * DO NOT mix tire sizes. As long as tires remain close to the original diameter, increasing the width is acceptable. Rolling diameter must be identical for all 4 tires. Some manufacturers recommend tires of the same brand, style and type. Failure to follow this precaution may cause inaccurate wheel speed readings.
- * Use ONLY recommended brake fluids. DO NOT use silicone brake fluids in an ABS-equipped vehicle.

BATTERY WARNING

WARNING: When battery is disconnected, vehicles equipped with computers may lose memory data. When battery power is restored, driveability problems may exist on some vehicles. These vehicles may require a relearn procedure. See COMPUTER RELEARN PROCEDURES article in GENERAL INFORMATION section.

REPLACING BLOWN FUSES

Before replacing a blown fuse, remove ignition key, turn off all lights and accessories to avoid damaging the electrical system. Be sure to use fuse with the correct indicated amperage rating. The use of an incorrect amperage rating fuse may result in a dangerous electrical system overload.

BRAKE PAD WEAR INDICATOR

Indicator will cause a squealing or scraping noise, warning that brake pads need replacement.

CATALYTIC CONVERTER

Continued operation of vehicle with a severe malfunction could cause converter to overheat, resulting in possible damage to converter and vehicle.

ELECTROSTATIC DISCHARGE SENSITIVE (ESD) PARTS

WARNING: Many solid state electrical components can be damaged by static electricity (ESD). Some will display a warning label, but many will not. Discharge personal static electricity by touching a metal ground point on the vehicle prior to servicing any ESD sensitive component.

ENGINE OIL

CAUTION: Never use non-detergent or straight mineral oil.

FUEL SYSTEM SERVICE

WARNING: Relieve fuel system pressure prior to servicing any fuel system component (fuel injection models).

HALOGEN BULBS

Halogen bulbs contain pressurized gas which may explode if overheated. DO NOT touch glass portion of bulb with bare hands. Eye protection should be worn when handling or working around halogen bulbs.

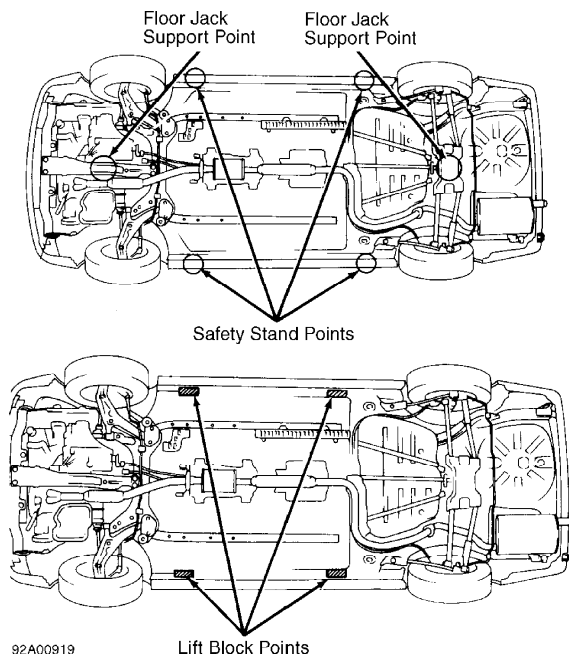
RADIATOR CAP

CAUTION: Always disconnect the fan motor when working near the radiator fan. The fan is temperature controlled and could start at any time even when the ignition key is in the OFF position. DO NOT loosen or remove radiator cap when cooling system is hot.

RADIATOR FAN

WARNING: Keep hands away from radiator fan. Fan is controlled by a thermostatic switch which may come on or run for up to 15 minutes even after engine is turned off.

SERVICE POINTS

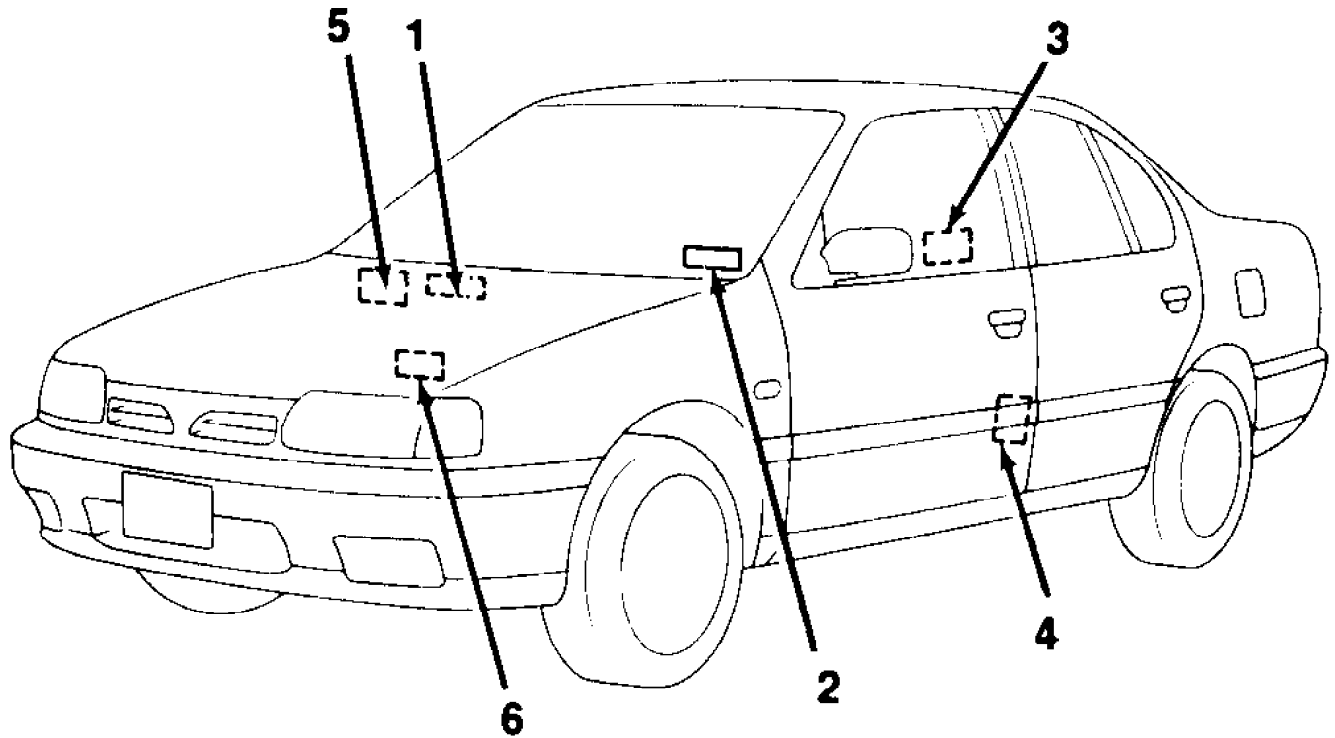


92A00919
Fig. 1: Lift Point Locations
Courtesy of Nissan Motor Co., U.S.A.

NOTE: For more information regarding jacking or hoisting the vehicle, refer to the JACKING & HOISTING article

in the WHEEL ALIGNMENT section.

INFORMATION LABEL LOCATIONS



1. Chassis Number
2. Vehicle Identification Number Plate
3. Tire Placard (center console lid)
4. Federal Motor Vehicle Safety Standard (FMVSS) Certification Label
5. Vehicle Identification Plate
6. Emission Control Information Label (Hood)

Fig. 2: Information Label Locations
Courtesy of Nissan Motor Co., U.S.A.

FUEL FILTER SERVICE

Under extremely adverse weather conditions or in area where ambient temperatures are extremely low or extremely high, the fuel filter may require more frequent inspection or replacement since it may get clogged.

AIR BAG INSPECTION

The air bag system needs to be inspected 10 years after the date of manufacture as noted on the certification label.

SEVERE & NORMAL SERVICE DEFINITIONS

NOTE: Use the Severe Service schedule if the vehicle to be serviced is operated under ANY (one or more) of these conditions:

Service is recommended at mileage intervals based on vehicle operation. Service schedules are based on following primary operating conditions.

Normal Service

- * Driven More Than 10 Miles Daily
- * No Operating Conditions From Severe Service Schedule

Severe Service (Unique Driving Conditions)

- * Frequent Short Trips Of 5 Miles Or Less
- * Frequent Short Trips (Less Than 10 Miles) In Freezing Temperature
- * Towing Or Commercial Use
- * Driving In Rough, Muddy, Salty Or Sandy Areas
- * Severe Dust Conditions
- * Hot Weather, Stop-And-Go Driving
- * Extensive Idling

SEVERE SERVICE REQUIREMENTS (PERFORM W/SERVICE SCHEDULES)

NOTE: The following services are to be performed on vehicles subjected to severe service. See SEVERE & NORMAL SERVICE DEFINITIONS. This service is to be performed in addition to the normal services listed in the NORMAL MAINTENANCE SERVICE SCHEDULES.

SEVERE SERVICE CONDITIONS/ACTIONS TABLE

Condition	Action	Item	Perform Every (1)
Frequent Short Trips Of 5 Miles Or Less	Replace	Engine Oil & Filter	3,750 Miles or 3 Months
	Inspect	Transmission Fluid	15,000 Miles
	Inspect	Differential Fluid	15,000 Miles
Frequent Short Trips (Less Than 10 Miles) In Freezing Temperature	Replace	Engine Oil & Filter	3,750 Miles or 3 Months
	Inspect	Transmission Fluid	15,000 Miles
	Inspect	Differential Fluid	15,000 Miles
Towing	Replace	Engine Oil & Filter	3,750 Miles or 3 Months
	Inspect	Transmission Fluid	15,000 Miles
	Inspect	Differential Fluid	15,000 Miles

Commercial Use	Replace	Engine Oil & Filter	3,750 Miles or 3 Months
	Inspect	Transmission Fluid	15,000 Miles
	Inspect	Differential Fluid	15,000 Miles
	Replace	Transmission Fluid	30,000 Miles or 24 Months
Driving In Rough Or Muddy Areas	Replace	Engine Oil & Filter	3,750 Miles or 3 Months
	Inspect	Transmission Fluid	15,000 Miles
	Inspect	Differential Fluid	15,000 Miles
Driving In Salty Or Sandy Areas	Replace	Engine Oil & Filter	3,750 Miles or 3 Months
	Inspect	Transmission Fluid	15,000 Miles
	Inspect	Differential Fluid	15,000 Miles
	Replace	Transmission Fluid	30,000 Miles or 24 Months
Severe Dust Conditions	Replace	Engine Oil & Filter	3,750 Miles or 3 Months
	Inspect	Transmission Fluid	15,000 Miles
	Inspect	Differential Fluid	15,000 Miles
Hot Weather, Stop-And-Go Driving	Replace	Engine Oil & Filter	3,750 Miles or 3 Months
	Inspect	Transmission Fluid	15,000 Miles
	Inspect	Differential Fluid	15,000 Miles
Extensive Idling	Replace	Engine Oil & Filter	3,750 Miles or 3 Months
	Inspect	Transmission Fluid	15,000 Miles
	Inspect	Differential Fluid	15,000 Miles

(1) - Perform these services at the mileage or number of months

(since the last time), whichever comes first.

NORMAL MAINTENANCE SERVICE SCHEDULES

CAUTION: The following service schedules refer to vehicles driven under normal operating conditions. For vehicles driven under severe conditions, additional services may be necessary. See SEVERE SERVICE REQUIREMENTS (PERFORM W/SERVICE SCHEDULES) above in this article for additional service requirements.

7,500 MILE (12,000 KM) SERVICE

7,500 MILE (12,000 KM) SERVICE

Service Or Inspect	
	Check Fluid Levels
	Inspect Coolant Hoses and Clamps
	Inspect Brake System
	Inspect Exhaust System
	Inspect C/V Joint boots
	Inspect Steering Linkage/Front Suspension
	Lubricate Chassis
	Rotate Tires and Adjust Air Pressure (Including Spare)
Replace	
	Engine Oil
	Oil Filter
Lubrication Specifications	
Application	Specification
Engine Oil (1)	SAE 5W-30 API SG
(1) - SAE 10W-30 and 10W-40 may be used in temperatures greater than 0°F (-18°C), but 5W-30 is preferred for all ambient temperatures.	
Fluid Capacities	
Application	Quantity
Engine Oil	
With Oil Filter	3.6 Qts. (3.4L)
Without Oil Filter	3.4 Qts. (3.2L)

15,000 MILE (24,000 KM) SERVICE

15,000 MILE (24,000 KM) SERVICE

Service Or Inspect	
	Verify Last Major Service Was Performed
	Check Fluid Levels
	Check Cooling System Hoses and Clamps
	Check Coolant Strength
	Inspect Brake System
	Check Exhaust System & Heat Shielding
	Clean Battery and Battery Terminals
	Inspect Fuel/Tank/Cap/Lines
	Check Operation of Horn, Wipers/Washers & All Exterior Lights
	Inspect Condition of Wiper Blades
	Check Headlight Alignment
	Check Seat Belt Webbing and Release Mechanisms
	Check Parking Brake Operation
	Check Shift/Clutch Interlock Operation
	Inspect C/V Joint boots
	Brake Discs & Calipers
	Parking Brake
	Clutch Release Arm Travel
	Inspect Steering Linkage/Front Suspension
	Lubricate Chassis
	Steering Operation, Tie Rods, Gear Box & Boots
	Front Suspension Ball Joints
	Steering Linkage Ball Joints
	Transmission Fluid
	Lubricate Weatherstripping with Silicone
	Lubricate Door Hinges
	Lubricate Door Locks
	Check Body Drain Holes
	Rotate Tires and Adjust Air Pressure
	Replace

Engine Oil	
Oil Filter	
Lubrication Specifications	
Application	Specification
Engine Coolant	Ethylene-Glycol Antifreeze Coolant
Automatic Transaxle Fluid	Nissan ATF Or Dexron IIE ATF
Engine Oil (1)	SAE 5W-30 API SG
Manual Transaxle Gear Oil	SAE 80W-90 API GL-4
(1) - SAE 10W-30 and 10W-40 may be used in temperatures greater than 0°F (-18°C), but 5W-30 is preferred for all ambient temperatures.	
Fluid Capacities	
Application	Quantity
Cooling System (With Reservoir Tank)	
Automatic	6.9 Qts. (6.5L)
Manual	6.5 Qts. (6.1L)
Engine Oil	
With Oil Filter	3.6 Qts. (3.4L)
Without Oil Filter	3.4 Qts. (3.2L)
Automatic Transaxle Fluid	7.4 Qts. (7.0L)
Manual Transaxle Gear Oil	3.7-3.9 Qts. (3.5-3.7L)

22,500 MILE (36,000 KM) SERVICE

22,500 MILE (36,000 KM) SERVICE

Service Or Inspect
Verify Last Major Service Was Performed
Check Fluid Levels
Check Cooling System Hoses and Clamps
Check Exhaust System & Heat Shielding
Inspect C/V Joint boots
Inspect Power Steering System (If Equipped)
Inspect Steering Linkage/Front Suspension
Lubricate Chassis
Inspect Front Brake Pads & Rotors
Inspect Rear Brake Linings & Drums
Inspect Brake System Hoses & Lines
Inspect Shocks/Struts for Leakage
Inspect Tire Wear Pattern

Rotate Tires and Adjust Air Pressure (Including Spare)	
Replace	
Engine Oil	
Oil Filter	
Lubrication Specifications	
Application	Specification
Engine Oil (1)	SAE 5W-30 API SG
(1) - SAE 10W-30 and 10W-40 may be used in temperatures greater than 0°F (-18°C), but 5W-30 is preferred for all ambient temperatures.	
Fluid Capacities	
Application	Quantity
Engine Oil	
With Oil Filter	3.6 Qts. (3.4L)
Without Oil Filter	3.4 Qts. (3.2L)

30,000 MILE (48,000 KM) SERVICE

30,000 MILE (48,000 KM) SERVICE

Service Or Inspect	
Verify Last Major Service Was Performed	
Check Fluid Levels	
Check Cooling System Hoses and Clamps	
Check Exhaust System & Heat Shielding	
Clean Battery and Battery Terminals	
Inspect/Adjust Accessory Drive Belts (Replace if Required)	
Emission Vapor Lines	
Fuel Lines	
Crankcase Emission Control System	
Ignition Wiring	
Brake Hoses & Lines	
Brake Discs & Calipers	
Rear Brake Drums, Wheel Cylinders & Linings	
Parking Brake	

Clutch Release Arm Travel	
Suspension Mounting Bolts	
Repack Rear Wheel Bearings	
Steering Operation, Tie Rods, Gear Box & Boots	
Inspect C/V Joint boots	
Inspect Power Steering System (If Equipped)	
Suspension Bushings, Springs, Arms & Rear Jounce Bumpers	
Parking Brake System	
Inspect Shocks/Struts for Leakage	
Inspect Tire Wear Pattern	
Rotate Tires and Adjust Air Pressure (Including Spare)	
Replace	
Engine Oil	
Oil Filter	
Spark Plugs	
Air Filter Element	
Drain, Refill and Bleed Brake System	
Drain, Flush and Refill Engine Coolant	
Lubrication Specifications	
Application	Specification
Engine Coolant	Ethylene-Glycol Antifreeze Coolant
Automatic Transaxle Fluid	Nissan ATF Or Dexron IIE ATF
Engine Oil (1)	SAE 5W-30 API SG
Manual Transaxle Gear Oil	SAE 80W-90 API GL-4
(1) - SAE 10W-30 and 10W-40 may be used in temperatures greater than 0°F (-18°C), but 5W-30 is preferred for all ambient temperatures.	
Fluid Capacities	
Application	Quantity
Cooling System (With Reservoir Tank)	
Automatic	6.9 Qts. (6.5L)
Manual	6.5 Qts. (6.1L)
Engine Oil	
With Oil Filter	3.6 Qts. (3.4L)
Without Oil Filter	3.4 Qts. (3.2L)
Automatic Transaxle Fluid	7.4 Qts. (7.0L)
Manual Transaxle Gear Oil	3.7-3.9 Qts. (3.5-3.7L)
Service Labor Times	

Application	Hours
Automatic Transaxle	2.0
Manual Transaxle	2.0

37,500 MILE (60,000 KM) SERVICE

37,500 MILE (60,000 KM) SERVICE

Service Or Inspect	
	Verify Last Major Service Was Performed
	Check Fluid Levels
	Check Cooling System Hoses and Clamps
	Check Exhaust System & Heat Shielding
	Inspect Brake System
	Inspect C/V Joint boots
	Inspect Steering Linkage/Front Suspension
	Lubricate Chassis
	Rotate Tires and Adjust Air Pressure (Including Spare)
Replace	
	Engine Oil
	Oil Filter
Lubrication Specifications	
Application	Specification
Engine Oil (1)	SAE 5W-30 API SG
(1) - SAE 10W-30 and 10W-40 may be used in temperatures greater than 0°F (-18°C), but 5W-30 is preferred for all ambient temperatures.	
Fluid Capacities	
Application	Quantity
Engine Oil	
With Oil Filter	3.6 Qts. (3.4L)
Without Oil Filter	3.4 Qts. (3.2L)

45,000 MILE (72,000 KM) SERVICE

45,000 MILE (72,000 KM) SERVICE

Service Or Inspect	
--------------------	--

	Verify Last Major Service Was Performed
	Check Fluid Levels
	Check Cooling System Hoses and Clamps
	Check Coolant Strength
	Clean Battery and Battery Terminals
	Check Exhaust System & Heat Shielding
	Check Operation of Horn, Wipers/Washers & All Exterior Lights
	Inspect Condition of Wiper Blades
	Check Headlight Alignment
	Check Seat Belt Webbing and Release Mechanisms
	Check Parking Brake Operation
	Check Shift/Clutch Interlock Operation
	Inspect Fuel Tank/Cap/Lines
	Inspect C/V Joint boots
	Clutch Release Arm Travel
	Suspension Mounting Bolts
	Front Suspension Ball Joints
	Steering Linkage Ball Joints
	Lubricate Chassis
	Inspect Front Brake Pads & Rotors
	Inspect Rear Brake Linings & Drums
	Inspect Brake System Hoses & Lines
	Inspect Shocks/Struts for Leakage
	Inspect Tire Wear Pattern
	Lubricate Weatherstripping with Silicone
	Lubricate Door Hinges
	Lubricate Door Locks
	Check Body Drain Holes
	Rotate Tires and Adjust Air Pressure
	Replace
	Engine Oil
	Oil Filter

Lubrication Specifications	
Application	Specification
Engine Coolant	Ethylene-Glycol Antifreeze Coolant
Automatic Transaxle Fluid	Nissan ATF Or Dexron IIE ATF
Engine Oil (1)	SAE 5W-30 API SG
Manual Transaxle Gear Oil	SAE 80W-90 API GL-4
(1) - SAE 10W-30 and 10W-40 may be used in temperatures greater than 0°F (-18°C), but 5W-30 is preferred for all ambient temperatures.	
Fluid Capacities	
Application	Quantity
Cooling System (With Reservoir Tank)	
Automatic	6.9 Qts. (6.5L)
Manual	6.5 Qts. (6.1L)
Engine Oil	
With Oil Filter	3.6 Qts. (3.4L)
Without Oil Filter	3.4 Qts. (3.2L)
Automatic Transaxle Fluid	7.4 Qts. (7.0L)
Manual Transaxle Gear Oil	3.7-3.9 Qts. (3.5-3.7L)

52,500 MILE (84,000 KM) SERVICE

52,500 MILE (84,000 KM) SERVICE

Service Or Inspect	
	Verify Last Major Service Was Performed
	Check Fluid Levels
	Check Cooling System Hoses and Clamps
	Check Exhaust System & Heat Shielding
	Brake Pads, Calipers & Rotors
	Inspect Underhood Wiring Harnesses and Connections
	Inspect Emission Control Vacuum Hoses and Connections
	Inspect Fuel/Tank/Cap/Lines
	Inspect C/V Joint boots
Replace	
	Engine Oil
	Oil Filter
Lubrication Specifications	
Application	Specification

Engine Oil (1)	SAE 5W-30 API SG
(1) - SAE 10W-30 and 10W-40 may be used in temperatures greater than 0°F (-18°C), but 5W-30 is preferred for all ambient temperatures.	
Fluid Capacities	
Application	Quantity
Engine Oil	
With Oil Filter	3.6 Qts. (3.4L)
Without Oil Filter	3.4 Qts. (3.2L)

60,000 MILE (96,000 KM) SERVICE

60,000 MILE (96,000 KM) SERVICE

Service Or Inspect
Verify Last Major Service Was Performed
Check Fluid Levels
Check Cooling System Hoses and Clamps
Check Exhaust System & Heat Shielding
Clean Battery and Battery Terminals
Inspect/Adjust Accessory Drive Belts (Replace if Required)
Emission Vapor Lines
Fuel Lines
Distributor Cap & Rotor
Ignition Wiring
PCV Valve
Inspect C/V Joint boots
Inspect Power Steering System (If Equipped)
Suspension Bushings, Springs, Arms & Rear Jounce Bumpers
Lubricate Chassis
Repack Rear Wheel Bearings
Clutch Release Arm Travel
Inspect Brake System
Parking Brake System
Brake Hoses & Lines
Brake Discs & Calipers

Rear Brake Drums, Wheel Cylinders & Linings	
Suspension Mounting Bolts	
Steering Operation, Tie Rods, Gear Box & Boots	
Inspect Shocks/Struts for Leakage	
Inspect Tire Wear Pattern	
Rotate Tires and Adjust Air Pressure (Including Spare)	
Replace	
Engine Oil	
Oil Filter	
Spark Plugs	
Air Filter Element	
Automatic Transmission Fluid	
Manual Transmission Fluid	
Drain, Refill and Bleed Brake System	
Lubrication Specifications	
Application	Specification
Engine Coolant	Ethylene-Glycol Antifreeze Coolant
Automatic Transaxle Fluid	Nissan ATF Or Dexron IIE ATF
Engine Oil (1)	SAE 5W-30 API SG
Manual Transaxle Gear Oil	SAE 80W-90 API GL-4
(1) - SAE 10W-30 and 10W-40 may be used in temperatures greater than 0°F (-18°C), but 5W-30 is preferred for all ambient temperatures.	
Fluid Capacities	
Application	Quantity
Cooling System (With Reservoir Tank)	
Automatic	6.9 Qts. (6.5L)
Manual	6.5 Qts. (6.1L)
Engine Oil	
With Oil Filter	3.6 Qts. (3.4L)
Without Oil Filter	3.4 Qts. (3.2L)
Automatic Transaxle Fluid	7.4 Qts. (7.0L)
Manual Transaxle Gear Oil	3.7-3.9 Qts. (3.5-3.7L)
Service Labor Times	
Application	Hours
Automatic Transaxle	2.5
Manual Transaxle	2.5

67,500 MILE (108,000 KM) SERVICE

67,500 MILE (108,000 KM) SERVICE

Service Or Inspect	
	Verify Last Major Service Was Performed
	Check Fluid Levels
	Check Cooling System Hoses and Clamps
	Check Exhaust System & Heat Shielding
	Lubricate Chassis
	Inspect C/V Joint boots
	Inspect Steering Linkage/Front Suspension
	Inspect Front Brake Pads & Rotors
	Inspect Rear Brake Linings & Drums
	Inspect Brake System Hoses & Lines
	Rotate Tires and Adjust Air Pressure (Including Spare)
Replace	
	Engine Oil
	Oil Filter
Lubrication Specifications	
Application	Specification
Engine Oil (1)	SAE 5W-30 API SG
(1) - SAE 10W-30 and 10W-40 may be used in temperatures greater than 0°F (-18°C), but 5W-30 is preferred for all ambient temperatures.	
Fluid Capacities	
Application	Quantity
Engine Oil	
With Oil Filter	3.6 Qts. (3.4L)
Without Oil Filter	3.4 Qts. (3.2L)

75,000 MILE (120,000 KM) SERVICE

75,000 MILE (120,000 KM) SERVICE

Service Or Inspect	
	Verify Last Major Service Was Performed
	Check Fluid Levels

	Check Cooling System Hoses and Clamps
	Check Coolant Strength
	Check Exhaust System & Heat Shielding
	Clean Battery and Battery Terminals
	Inspect Brake System
	Check Operation of Horn, Wipers/Washers & All Exterior Lights
	Inspect Condition of Wiper Blades
	Check Headlight Alignment
	Check Seat Belt Webbing and Release Mechanisms
	Check Parking Brake Operation
	Check Shift/Clutch Interlock Operation
	Adjust Drive Belt Tension
	Lubricate Chassis
	Inspect C/V Joint boots
	Steering Operation, Tie Rods, Gear Box & Boots
	Axle & Suspension Parts
	Front Suspension Ball Joints
	Steering Linkage Ball Joints
	Brake Discs & Calipers
	Parking Brake
	Clutch Release Arm Travel
	Lubricate Weatherstripping with Silicone
	Lubricate Door Hinges
	Lubricate Door Locks
	Check Body Drain Holes
	Inspect Shocks/Struts for Leakage
	Inspect Tire Wear Pattern
	Rotate Tires and Adjust Air Pressure
	Replace
	Engine Oil
	Oil Filter

Lubrication Specifications

Application	Specification
Engine Coolant	Ethylene-Glycol Antifreeze Coolant
Automatic Transaxle Fluid	Nissan ATF Or Dexron IIE ATF
Engine Oil (1)	SAE 5W-30 API SG
Manual Transaxle Gear Oil	SAE 80W-90 API GL-4

(1) - SAE 10W-30 and 10W-40 may be used in temperatures greater than 0°F (-18°C), but 5W-30 is preferred for all ambient temperatures.

Fluid Capacities

Application	Quantity
Cooling System (With Reservoir Tank)	
Automatic	6.9 Qts. (6.5L)
Manual	6.5 Qts. (6.1L)
Engine Oil	
With Oil Filter	3.6 Qts. (3.4L)
Without Oil Filter	3.4 Qts. (3.2L)
Automatic Transaxle Fluid	7.4 Qts. (7.0L)
Manual Transaxle Gear Oil	3.7-3.9 Qts. (3.5-3.7L)

82,500 MILE (132,000 KM) SERVICE

82,500 MILE (132,000 KM) SERVICE

Service Or Inspect	
	Verify Last Major Service Was Performed
	Check Fluid Levels
	Check Cooling System Hoses and Clamps
	Check Exhaust System & Heat Shielding
	Inspect Brake System
	Lubricate Chassis
	Inspect C/V Joint boots
	Inspect Steering Linkage/Front Suspension
	Rotate Tires and Adjust Air Pressure (Including Spare)
Replace	
	Engine Oil
	Oil Filter
Lubrication Specifications	
Application	Specification
Engine Oil (1)	SAE 5W-30 API SG

(1) - SAE 10W-30 and 10W-40 may be used in temperatures greater than 0°F (-18°C), but 5W-30 is preferred for all ambient temperatures.

Fluid Capacities

Application	Quantity
Engine Oil	
With Oil Filter	3.6 Qts. (3.4L)
Without Oil Filter	3.4 Qts. (3.2L)

90,000 MILE (144,000 KM) SERVICE

90,000 MILE (144,000 KM) SERVICE

Service Or Inspect
Verify Last Major Service Was Performed
Emission Vapor Lines
Fuel Lines
Check Fluid Levels
Check Cooling System Hoses and Clamps
Clean Battery and Battery Terminals
Inspect/Adjust Accessory Drive Belts (Replace if Required)
Check Exhaust System & Heat Shielding
Check Operation of Horn, Wipers/Washers & All Exterior Lights
Inspect Condition of Wiper Blades
Check Headlight Alignment
Check Seat Belt Webbing and Release Mechanisms
Check Parking Brake Operation
Check Shift/Clutch Interlock Operation
Inspect Spark Plug Wires
Inspect Distributor Cap
Inspect Fuel/Tank/Cap/Lines
Inspect C/V Joint boots
Inspect Power Steering System (If Equipped)
Clutch Release Arm Travel
Suspension Mounting Bolts

Steering Operation, Tie Rods, Gear Box & Boots	
Inspect Steering Linkage/Front Suspension	
Lubricate Chassis	
Repack Rear Wheel Bearings	
Brake Discs & Calipers	
Inspect Front Brake Pads & Rotors	
Inspect Rear Brake Linings & Drums	
Inspect Brake System Hoses & Lines	
Inspect Shocks/Struts for Leakage	
Inspect Tire Wear Pattern	
Lubricate Weatherstripping with Silicone	
Lubricate Door Hinges	
Lubricate Door Locks	
Check Body Drain Holes	
Rotate Tires and Adjust Air Pressure	
Replace	
Engine Oil	
Oil Filter	
Air Filter Element	
Spark Plugs	
Automatic Transmission Fluid	
Manual Transmission Fluid	
Drain, Refill and Bleed Brake System	
Drain, Flush and Refill Engine Coolant	
Lubrication Specifications	
Application	Specification
Engine Coolant	Ethylene-Glycol Antifreeze Coolant
Automatic Transaxle Fluid	Nissan ATF Or Dexron IIE ATF
Engine Oil (1)	SAE 5W-30 API SG
Manual Transaxle Gear Oil	SAE 80W-90 API GL-4
(1) - SAE 10W-30 and 10W-40 may be used in temperatures greater than 0°F (-18°C), but 5W-30 is preferred for all ambient temperatures.	
Fluid Capacities	

Application	Quantity
Cooling System (With Reservoir Tank)	
Automatic	6.9 Qts. (6.5L)
Manual	6.5 Qts. (6.1L)
Engine Oil	
With Oil Filter	3.6 Qts. (3.4L)
Without Oil Filter	3.4 Qts. (3.2L)
Automatic Transaxle Fluid	7.4 Qts. (7.0L)
Manual Transaxle Gear Oil	3.7-3.9 Qts. (3.5-3.7L)

Service Labor Times

Application	Hours
Automatic Transaxle	2.0
Manual Transaxle	2.0

97,500 MILE (156,000 KM) SERVICE

97,500 MILE (156,000 KM) SERVICE

Service Or Inspect	
	Verify Last Major Service Was Performed
	Check Fluid Levels
	Check Cooling System Hoses and Clamps
	Check Exhaust System & Heat Shielding
	Inspect Brake System
	Lubricate Chassis
	Inspect C/V Joint boots
	Inspect Steering Linkage/Front Suspension
	Rotate Tires and Adjust Air Pressure (Including Spare)
Replace	
	Engine Oil
	Oil Filter
Lubrication Specifications	
Application	Specification
Engine Oil (1)	SAE 5W-30 API SG
(1) - SAE 10W-30 and 10W-40 may be used in temperatures greater than 0°F (-18°C), but 5W-30 is preferred for all ambient temperatures.	
Fluid Capacities	
Application	Quantity

Engine Oil	
With Oil Filter	3.6 Qts. (3.4L)
Without Oil Filter	3.4 Qts. (3.2L)

105,000 MILE (168,000 KM) SERVICE

105,000 MILE (168,000 KM) SERVICE

Service Or Inspect
Verify Last Major Service Was Performed
Check Fluid Levels
Check Cooling System Hoses and Clamps
Check Coolant Strength
Check Exhaust System & Heat Shielding
Clean Battery and Battery Terminals
Inspect Brake System
Check Operation of Horn, Wipers/Washers & All Exterior Lights
Inspect Condition of Wiper Blades
Check Headlight Alignment
Check Seat Belt Webbing and Release Mechanisms
Check Parking Brake Operation
Inspect Fuel/Tank/Cap/Lines
Check Shift/Clutch Interlock Operation
Inspect C/V Joint boots
Axle & Suspension Parts
Brake Hoses & Lines
Brake Discs & Calipers
Clutch Release Arm Travel
Front Suspension Ball Joints
Steering Linkage Ball Joints
Inspect Steering Linkage/Front Suspension
Lubricate Chassis
Lubricate Weatherstripping with Silicone
Lubricate Door Hinges

Lubricate Door Locks	
Check Body Drain Holes	
Rotate Tires and Adjust Air Pressure	
Replace	
Engine Oil	
Oil Filter	
Lubrication Specifications	
Application	Specification
Engine Coolant	Ethylene-Glycol Antifreeze Coolant
Automatic Transaxle Fluid	Nissan ATF Or Dexron IIE ATF
Engine Oil (1)	SAE 5W-30 API SG
Manual Transaxle Gear Oil	SAE 80W-90 API GL-4
(1) - SAE 10W-30 and 10W-40 may be used in temperatures greater than 0°F (-18°C), but 5W-30 is preferred for all ambient temperatures.	
Fluid Capacities	
Application	Quantity
Cooling System (With Reservoir Tank)	
Automatic	6.9 Qts. (6.5L)
Manual	6.5 Qts. (6.1L)
Engine Oil	
With Oil Filter	3.6 Qts. (3.4L)
Without Oil Filter	3.4 Qts. (3.2L)
Automatic Transaxle Fluid	7.4 Qts. (7.0L)
Manual Transaxle Gear Oil	3.7-3.9 Qts. (3.5-3.7L)

112,500 MILE (180,000 KM) SERVICE

112,500 MILE (180,000 KM) SERVICE

Service Or Inspect
Verify Last Major Service Was Performed
Check Fluid Levels
Check Cooling System Hoses and Clamps
Check Exhaust System & Heat Shielding
Inspect C/V Joint boots
Inspect Steering Linkage/Front Suspension
Lubricate Chassis
Rotate Tires and Adjust Air Pressure
Replace

Engine Oil	
Oil Filter	
Fuel Filter	
Lubrication Specifications	
Application	Specification
Engine Oil (1)	SAE 5W-30 API SG
(1) - SAE 10W-30 and 10W-40 may be used in temperatures greater than 0°F (-18°C), but 5W-30 is preferred for all ambient temperatures.	
Fluid Capacities	
Application	Quantity
Engine Oil	
With Oil Filter	3.6 Qts. (3.4L)
Without Oil Filter	3.4 Qts. (3.2L)

120,000 MILE (192,000 KM) SERVICE

120,000 MILE (192,000 KM) SERVICE

Service Or Inspect
Verify Last Major Service Was Performed
Check Fluid Levels
Check Cooling System Hoses and Clamps
Inspect/Adjust Accessory Drive Belts (Replace if Required)
Check Exhaust System & Heat Shielding
Clean Battery and Battery Terminals
Inspect Underhood Wiring Harnesses and Connections
Inspect Emission Control Vacuum Hoses and Connections
Fuel & Vapor Hoses, Fuel Filler Cap
Evaporative Emission Control System
Ignition Timing & Control System
Distributor Cap & Rotor
Ignition Wiring
PCV Valve
Brake Hoses & Lines

Brake Discs & Calipers	
Rear Brake Drums, Wheel Cylinders & Linings	
Inspect C/V Joint boots	
Axle & Suspension Components	
Clutch Release Arm Travel	
Repack Rear Wheel Bearings	
Steering Operation, Tie Rods, Gear Box & Boots	
Inspect Power Steering System (If Equipped)	
Inspect Steering Linkage/Front Suspension	
Lubricate Chassis	
Suspension Bushings, Springs, Arms & Rear Jounce Bumpers	
Parking Brake System	
Inspect Shocks for Leakage	
Inspect Tire Wear Pattern	
Rotate Tires and Adjust Air Pressure (Including Spare)	
Replace	
Engine Oil	
Oil Filter	
Spark Plugs	
Spark Plug Wires	
Air Filter Element	
Automatic Transmission Fluid	
Manual Transmission Fluid	
Drain, Refill and Bleed Brake System	
Flush and Refill Engine Coolant	
Lubrication Specifications	
Application	Specification
Engine Coolant	Ethylene-Glycol Antifreeze Coolant
Automatic Transaxle Fluid	Nissan ATF or Dexron IIE ATF
Engine Oil (1)	SAE 5W-30 API SG
Manual Transaxle Gear Oil	SAE 80W-90 API GL-4
(1) - SAE 10W-30 and 10W-40 may be used in temperatures greater than 0°F (-18°C), but 5W-30 is preferred for all ambient temperatures.	

Fluid Capacities

Application	Quantity
Cooling System (With Reservoir Tank)	
Automatic	6.9 Qts. (6.5L)
Manual	6.5 Qts. (6.1L)
Engine Oil	
With Oil Filter	3.6 Qts. (3.4L)
Without Oil Filter	3.4 Qts. (3.2L)
Automatic Transaxle Fluid	7.4 Qts. (7.0L)
Manual Transaxle Gear Oil	3.7-3.9 Qts. (3.5-3.7L)
Service Labor Times	
Application	Hours
Automatic Transaxle	2.5
Manual Transaxle	2.5

LUBRICATION SPECIFICATIONS

LUBRICATION SPECIFICATIONS TABLE

Application	Fluid Specifications
Automatic Transaxle	Nissan ATF or Dexron IIE ATF
Brake Fluid	Nissan Brake Fluid Or Dot 3
Engine Coolant	Ethylene-Glycol Antifreeze
Engine Oil (1)	SAE 5W-30 API SG
Manual Transaxle Gear Oil	SAE 80W-90 API GL-4
Power Steering Fluid	Dexron II ATF

(1) - SAE 10W-30 and 10W-40 may be used in temperatures greater than 0°F (-18°C), but 5W-30 is preferred for all ambient temperatures.

FLUID CAPACITIES

FLUID CAPACITIES TABLE

Application	Quantity
A/C System R-12 Refrigerant	
1991-93	24-29 Ozs.
A/C System R-134a Refrigerant (1)	
(3/93) 1993.5-96	24.6-28.2 Ozs.
Cooling System (With Reservoir Tank)	
Automatic Transaxle	6.8 Qts. (6.5L)
Manual Transaxle	6.5 Qts. (6.1L)
Engine Oil	
With Oil Filter	3.6 Qts. (3.4L)
Without Oil Filter	3.4 Qts. (3.2L)
Transaxle	
Automatic	7.4 Qts. (7.0L)
Manual	3.0-3.25 Qts. (3.5-3.7L)
Fuel Tank	15.8 Gals. (60L)

(1) - Use of R12 in a R134a system will result in SEVERE DAMAGE.

