

SECTION **IP**

INSTRUMENT PANEL

A
B
C
D
E
F
G
H
IP
J
K
L
M

CONTENTS

<p>PRECAUTIONS 2</p> <p style="padding-left: 20px;">Precautions for Supplemental Restraint System (SRS) "AIR BAG" and "SEAT BELT PRE-TENSIONER" 2</p> <p style="padding-left: 20px;">Precautions for Battery Service 2</p> <p style="padding-left: 20px;">Precautions 2</p> <p>PREPARATION 3</p> <p style="padding-left: 20px;">Special Service Tools 3</p> <p style="padding-left: 20px;">Commercial Service Tools 3</p> <p>SQUEAK AND RATTLE TROUBLE DIAGNOSES..... 4</p> <p style="padding-left: 20px;">Work Flow 4</p> <p style="padding-left: 40px;">CUSTOMER INTERVIEW 4</p> <p style="padding-left: 40px;">DUPLICATE THE NOISE AND TEST DRIVE 5</p> <p style="padding-left: 40px;">CHECK RELATED SERVICE BULLETINS 5</p> <p style="padding-left: 40px;">LOCATE THE NOISE AND IDENTIFY THE ROOT CAUSE 5</p> <p style="padding-left: 40px;">REPAIR THE CAUSE 5</p> <p style="padding-left: 40px;">CONFIRM THE REPAIR 6</p> <p style="padding-left: 20px;">Generic Squeak and Rattle Troubleshooting 6</p> <p style="padding-left: 40px;">INSTRUMENT PANEL 6</p>	<p style="padding-left: 20px;">CENTER CONSOLE 6</p> <p style="padding-left: 20px;">DOORS 6</p> <p style="padding-left: 20px;">TRUNK 7</p> <p style="padding-left: 20px;">SUNROOF/HEADLINING 7</p> <p style="padding-left: 20px;">SEATS 7</p> <p style="padding-left: 20px;">UNDERHOOD 7</p> <p style="padding-left: 20px;">Diagnostic Worksheet 8</p> <p>INSTRUMENT PANEL ASSEMBLY 10</p> <p style="padding-left: 20px;">Component Parts Drawing 10</p> <p style="padding-left: 20px;">Removal and Installation 11</p> <p style="padding-left: 40px;">WORK STEP 11</p> <p style="padding-left: 40px;">REMOVAL 12</p> <p style="padding-left: 40px;">INSTALLATION 16</p> <p style="padding-left: 20px;">Disassembly and Assembly 17</p> <p style="padding-left: 40px;">CLUSTER LID A 17</p> <p style="padding-left: 40px;">CLUSTER LID C 18</p> <p style="padding-left: 40px;">GLOVE BOX ASSEMBLY 19</p> <p style="padding-left: 40px;">CENTER BOX ASSEMBLY 20</p> <p style="padding-left: 40px;">CENTER CONSOLE (A/T MODELS) 21</p> <p style="padding-left: 40px;">CENTER CONSOLE (M/T MODELS) 22</p>
---	--

PRECAUTIONS

PRECAUTIONS

PFP:00001

Precautions for Supplemental Restraint System (SRS) “AIR BAG” and “SEAT BELT PRE-TENSIONER”

AIS001BT

The Supplemental Restraint System such as “AIR BAG” and “SEAT BELT PRE-TENSIONER”, used along with a front seat belt, helps to reduce the risk or severity of injury to the driver and front passenger for certain types of collision. This system includes seat belt switch inputs and dual stage front air bag modules. The SRS system uses the seat belt switches to determine the front air bag deployment, and may only deploy one front air bag, depending on the severity of a collision and whether the front occupants are belted or unbelted. Information necessary to service the system safely is included in the SRS and SB section of this Service Manual.

WARNING:

- To avoid rendering the SRS inoperative, which could increase the risk of personal injury or death in the event of a collision which would result in air bag inflation, all maintenance must be performed by an authorized NISSAN/INFINITI dealer.
- Improper maintenance, including incorrect removal and installation of the SRS, can lead to personal injury caused by unintentional activation of the system. For removal of Spiral Cable and Air Bag Module, see the SRS section.
- Do not use electrical test equipment on any circuit related to the SRS unless instructed to in this Service Manual. SRS wiring harnesses can be identified by yellow and/or orange harnesses or harness connectors.

Precautions for Battery Service

AIS004ZB

Before disconnecting the battery, lower both the driver and passenger windows. This will prevent any interference between the window edge and the vehicle when the door is opened/closed. During normal operation, the window slightly raises and lowers automatically to prevent any window to vehicle interference. The automatic window function will not work with the battery disconnected.

Precautions

AIS001BU

- Disconnect both battery cables in advance.
- Disconnect air bag system line in advance.
- Never tamper with or force air bag lid open, as this may adversely affect air bag performance.
- Be careful not to scratch pad and other parts.
- When removing or disassembling any part, be careful not to damage or deform it. Protect parts, which may get in the way with cloth.
- When removing parts with a screwdriver or other tool, protect parts by wrapping them with vinyl or tape.
- Keep removed parts protected with cloth.
- If a clip is deformed or damaged, replace it.
- If an un reusable part is removed, replace it with a new one.
- Tighten bolts and nuts firmly to the specified torque.
- After re-assembly has been completed, make sure each part functions correctly.
- Remove stains in the following way.

Water-soluble stains:

Dip a soft cloth in warm water, and then squeeze it tightly. After wiping the stain, wipe with a soft dry cloth.

Oil stain:

Dissolve a synthetic detergent in warm water (density of 2 to 3% or less), dip the cloth, then clean off the stain with the cloth. Next, dip the cloth in fresh water and squeeze it tightly. Then clean off the detergent completely. Then wipe the area with a soft dry cloth.

- Do not use any organic solvent, such as thinner or benzene.

PREPARATION

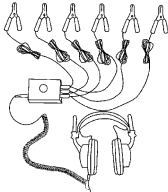
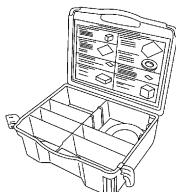
PREPARATION

PF0:00002

Special Service Tools

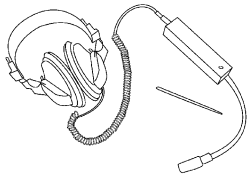

AIS001BV

The actual shapes of Kent-Moore tools may differ from those of special service tools illustrated here.

Tool number (Kent-Moore No.) Tool name	Description
(J39570) Chassis ear  SIIA0993E	Locating the noise
(J43980) NISSAN Squeak and Rattle Kit  SIIA0994E	Repairing the cause of noise

Commercial Service Tools

AIS001BW

Tool name	Description
Engine ear  SIIA0995E	Locating the noise
Power tool  PIIB1407E	

SQUEAK AND RATTLE TROUBLE DIAGNOSES

SQUEAK AND RATTLE TROUBLE DIAGNOSES

PFP:00000

Work Flow

AIS001BX



CUSTOMER INTERVIEW

Interview the customer if possible, to determine the conditions that exist when the noise occurs. Use the Diagnostic Worksheet during the interview to document the facts and conditions when the noise occurs and any customer's comments; refer to [IP-8, "Diagnostic Worksheet"](#). This information is necessary to duplicate the conditions that exist when the noise occurs.

- The customer may not be able to provide a detailed description or the location of the noise. Attempt to obtain all the facts and conditions that exist when the noise occurs (or does not occur).
- If there is more than one noise in the vehicle, be sure to diagnose and repair the noise that the customer is concerned about. This can be accomplished by test driving the vehicle with the customer.
- After identifying the type of noise, isolate the noise in terms of its characteristics. The noise characteristics are provided so the customer, service adviser and technician are all speaking the same language when defining the noise.
- Squeak —(Like tennis shoes on a clean floor)
Squeak characteristics include the light contact/fast movement/brought on by road conditions/hard surfaces=higher pitch noise/softer surfaces=lower pitch noises/edge to surface=chirping
- Creak—(Like walking on an old wooden floor)
Creak characteristics include firm contact/slow movement/twisting with a rotational movement/pitch dependent on materials/often brought on by activity.
- Rattle—(Like shaking a baby rattle)
Rattle characteristics include the fast repeated contact/vibration or similar movement/loose parts/missing clip or fastener/incorrect clearance.
- Knock —(Like a knock on a door)
Knock characteristics include hollow sounding/sometimes repeating/often brought on by driver action.
- Tick—(Like a clock second hand)
Tick characteristics include gentle contacting of light materials/loose components/can be caused by driver action or road conditions.
- Thump—(Heavy, muffled knock noise)
Thump characteristics include softer knock/dead sound often brought on by activity.
- Buzz—(Like a bumble bee)
Buzz characteristics include high frequency rattle/firm contact.
- Often the degree of acceptable noise level will vary depending upon the person. A noise that you may judge as acceptable may be very irritating to the customer.
- Weather conditions, especially humidity and temperature, may have a great effect on noise level.

SQUEAK AND RATTLE TROUBLE DIAGNOSES

DUPLICATE THE NOISE AND TEST DRIVE

If possible, drive the vehicle with the customer until the noise is duplicated. Note any additional information on the Diagnostic Worksheet regarding the conditions or location of the noise. This information can be used to duplicate the same conditions when you confirm the repair.

If the noise can be duplicated easily during the test drive, to help identify the source of the noise, try to duplicate the noise with the vehicle stopped by doing one or all of the following:

- 1) Close a door.
 - 2) Tap or push/pull around the area where the noise appears to be coming from.
 - 3) Rev the engine.
 - 4) Use a floor jack to recreate vehicle "twist".
 - 5) At idle, apply engine load (electrical load, half-clutch on M/T model, drive position on A/T model).
 - 6) Raise the vehicle on a hoist and hit a tire with a rubber hammer.
- Drive the vehicle and attempt to duplicate the conditions the customer states exist when the noise occurs.
 - If it is difficult to duplicate the noise, drive the vehicle slowly on an undulating or rough road to stress the vehicle body.

CHECK RELATED SERVICE BULLETINS

After verifying the customer concern or symptom, check ASIST for Technical Service Bulletins (TSBs) related to that concern or symptom.

If a TSB relates to the symptom, follow the procedure to repair the noise.

LOCATE THE NOISE AND IDENTIFY THE ROOT CAUSE

1. Narrow down the noise to a general area. To help pinpoint the source of the noise, use a listening tool (Chassis Ear: J39570, Engine Ear and mechanics stethoscope).
2. Narrow down the noise to a more specific area and identify the cause of the noise by:
 - removing the components in the area that you suspect the noise is coming from.
Do not use too much force when removing clips and fasteners, otherwise clips and fastener can be broken or lost during the repair, resulting in the creation of new noise.
 - tapping or pushing/pulling the component that you suspect is causing the noise.
Do not tap or push/pull the component with excessive force, otherwise the noise will be eliminated only temporarily.
 - feeling for a vibration with your hand by touching the component(s) that you suspect is (are) causing the noise.
 - placing a piece of paper between components that you suspect are causing the noise.
 - looking for loose components and contact marks.
Refer to [IP-6, "Generic Squeak and Rattle Troubleshooting"](#) .

REPAIR THE CAUSE

- If the cause is a loose component, tighten the component securely.
- If the cause is insufficient clearance between components:
 - separate components by repositioning or loosening and retightening the component, if possible.
 - insulate components with a suitable insulator such as urethane pads, foam blocks, felt cloth tape or urethane tape. A NISSAN Squeak and Rattle Kit (J43980) is available through your authorized NISSAN Parts Department.

CAUTION:

Do not use excessive force as many components are constructed of plastic and may be damaged.

Always check with the Parts Department for the latest parts information.

The following materials are contained in the NISSAN Squeak and Rattle Kit (J43980). Each item can be ordered separately as needed.

URETHANE PADS [1.5 mm (0.059 in) thick]

Insulates connectors, harness, etc.

76268-9E005: 100 × 135 mm (3.94 × 5.31 in)/76884-71L01: 60 × 85 mm (2.36 × 3.35 in)/76884-71L02: 15 × 25 mm (0.59 × 0.98 in)

INSULATOR (Foam blocks)

Insulates components from contact. Can be used to fill space behind a panel.

73982-9E000: 45 mm (1.77 in) thick, 50 × 50 mm (1.97 × 1.97 in)/73982-50Y00: 10 mm (0.39 in) thick, 50 × 50 mm (1.97 × 1.97 in)

SQUEAK AND RATTLE TROUBLE DIAGNOSES

INSULATOR (Light foam block)

80845-71L00: 30 mm (1.18 in) thick, 30 × 50 mm (1.18 × 1.97 in)

FELT CLOTH TAPE

Used to insulate where movement does not occur. Ideal for instrument panel applications.

68370-4B000: 15 × 25 mm (0.59 × 0.98 in) pad/68239-13E00: 5 mm (0.20 in) wide tape roll

The following materials, not found in the kit, can also be used to repair squeaks and rattles.

UHMW (TEFLON) TAPE

Insulates where slight movement is present. Ideal for instrument panel applications.

SILICONE GREASE

Used in place of UHMW tape that will be visible or not fit.

Note: Will only last a few months.

SILICONE SPRAY

Use when grease cannot be applied.

DUCT TAPE

Use to eliminate movement.

CONFIRM THE REPAIR

Confirm that the cause of a noise is repaired by test driving the vehicle. Operate the vehicle under the same conditions as when the noise originally occurred. Refer to the notes on the Diagnostic Worksheet.

Generic Squeak and Rattle Troubleshooting

AIS001BY

Refer to Table of Contents for specific component removal and installation information.

INSTRUMENT PANEL

Most incidents are caused by contact and movement between:

1. The cluster lid A and instrument panel
2. Acrylic lens and combination meter housing
3. Instrument panel to front pillar garnish
4. Instrument panel to windshield
5. Instrument panel mounting pins
6. Wiring harnesses behind the combination meter
7. A/C defroster duct and duct joint

These incidents can usually be located by tapping or moving the components to duplicate the noise or by pressing on the components while driving to stop the noise. Most of these incidents can be repaired by applying felt cloth tape or silicon spray (in hard to reach areas). Urethane pads can be used to insulate wiring harness.

CAUTION:

Do not use silicone spray to isolate a squeak or rattle. If you saturate the area with silicone, you will not be able to recheck the repair.

CENTER CONSOLE

Components to pay attention to include:

1. Shifter assembly cover to finisher
2. A/C control unit and cluster lid C
3. Wiring harnesses behind audio and A/C control unit

The instrument panel repair and isolation procedures also apply to the center console.

DOORS

Pay attention to the:

1. Finisher and inner panel making a slapping noise
2. Inside handle escutcheon to door finisher
3. Wiring harnesses tapping
4. Door striker out of alignment causing a popping noise on starts and stops

Tapping or moving the components or pressing on them while driving to duplicate the conditions can isolate many of these incidents. You can usually insulate the areas with felt cloth tape or insulator foam blocks from the NISSAN Squeak and Rattle Kit (J43980) to repair the noise.

SQUEAK AND RATTLE TROUBLE DIAGNOSES

TRUNK

Trunk noises are often caused by a loose jack or loose items put into the trunk by the owner. In addition look for:

1. Trunk lid dumpers out of adjustment
2. Trunk lid striker out of adjustment
3. The trunk lid torsion bars knocking together
4. A loose license plate or bracket

Most of these incidents can be repaired by adjusting, securing or insulating the item(s) or component(s) causing the noise.

SUNROOF/HEADLINING

Noises in the sunroof/headlining area can often be traced to one of the following:

1. Sunroof lid, rail, linkage or seals making a rattle or light knocking noise
2. Sunvisor shaft shaking in the holder
3. Front or rear windshield touching headlining and squeaking

Again, pressing on the components to stop the noise while duplicating the conditions can isolate most of these incidents. Repairs usually consist of insulating with felt cloth tape.

SEATS

When isolating seat noise it's important to note the position the seat is in and the load placed on the seat when the noise is present. These conditions should be duplicated when verifying and isolating the cause of the noise.

Cause of seat noise include:

1. Headrest rods and holder
2. A squeak between the seat pad cushion and frame
3. The rear seatback lock and bracket

These noises can be isolated by moving or pressing on the suspected components while duplicating the conditions under which the noise occurs. Most of these incidents can be repaired by repositioning the component or applying urethane tape to the contact area.

UNDERHOOD

Some interior noise may be caused by components under the hood or on the engine wall. The noise is then transmitted into the passenger compartment.

Causes of transmitted underhood noise include:

1. Any component mounted to the engine wall
2. Components that pass through the engine wall
3. Engine wall mounts and connectors
4. Loose radiator mounting pins
5. Hood bumpers out of adjustment
6. Hood striker out of adjustment

These noises can be difficult to isolate since they cannot be reached from the interior of the vehicle. The best method is to secure, move or insulate one component at a time and test drive the vehicle. Also, engine RPM or load can be changed to isolate the noise. Repairs can usually be made by moving, adjusting, securing, or insulating the component causing the noise.

A

B

C

D

E

F

G

H

IP

J

K

L

M

SQUEAK AND RATTLE TROUBLE DIAGNOSES

Diagnostic Worksheet

AIS001BZ



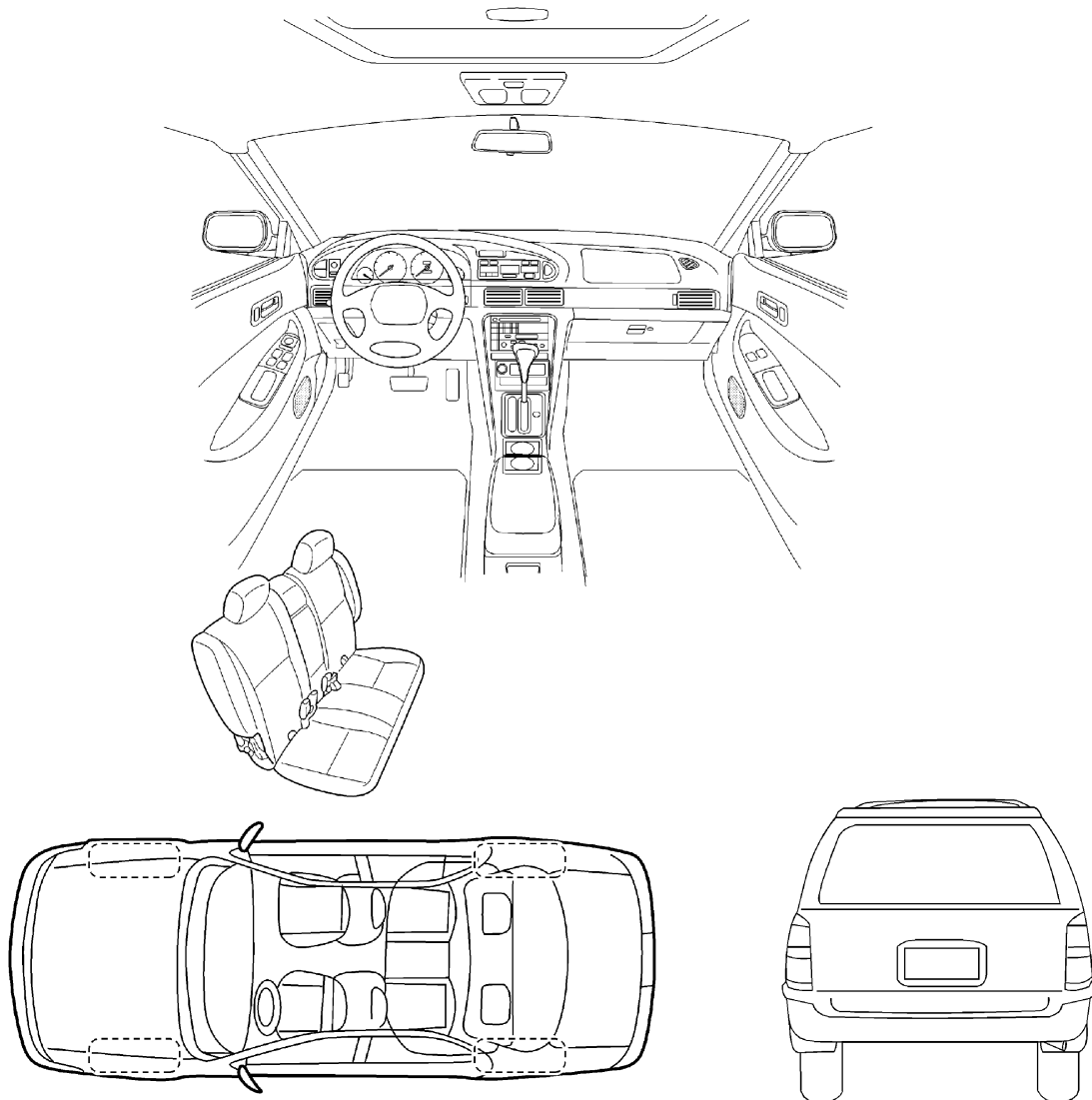
SQUEAK & RATTLE DIAGNOSTIC WORKSHEET

Dear Infiniti Customer:

We are concerned about your satisfaction with your Infiniti vehicle. Repairing a squeak or rattle sometimes can be very difficult. To help us fix your Infiniti right the first time, please take a moment to note the area of the vehicle where the squeak or rattle occurs and under what conditions. You may be asked to take a test drive with a service advisor or technician to ensure we confirm the noise you are hearing.

I. WHERE DOES THE NOISE COME FROM? (circle the area of the vehicle)

The illustrations are for reference only, and may not reflect the actual configuration of your vehicle.



Continue to the back of the worksheet and briefly describe the location of the noise or rattle. In addition, please indicate the conditions which are present when the noise occurs.

SBT860

SQUEAK AND RATTLE TROUBLE DIAGNOSES

SQUEAK & RATTLE DIAGNOSTIC WORKSHEET- page 2

Briefly describe the location where the noise occurs:

II. WHEN DOES IT OCCUR? (check the boxes that apply)

- | | |
|--|---|
| <input type="checkbox"/> anytime | <input type="checkbox"/> after sitting out in the sun |
| <input type="checkbox"/> 1 st time in the morning | <input type="checkbox"/> when it is raining or wet |
| <input type="checkbox"/> only when it is cold outside | <input type="checkbox"/> dry or dusty conditions |
| <input type="checkbox"/> only when it is hot outside | <input type="checkbox"/> other: _____ |

III. WHEN DRIVING:

- through driveways
- over rough roads
- over speed bumps
- only at about ____ mph
- on acceleration
- coming to a stop
- on turns : left, right or either (circle)
- with passengers or cargo
- other: _____
- after driving ____ miles or ____ minutes

IV. WHAT TYPE OF NOISE?

- squeak (like tennis shoes on a clean floor)
- creak (like walking on an old wooden floor)
- rattle (like shaking a baby rattle)
- knock (like a knock on a door)
- tick (like a clock second hand)
- thump (heavy, muffled knock noise)
- buzz (like a bumble bee)

TO BE COMPLETED BY DEALERSHIP PERSONNEL

Test Drive Notes:

	YES	NO	Initials of person performing
Vehicle test driven with customer	<input type="checkbox"/>	<input type="checkbox"/>	_____
- Noise verified on test drive	<input type="checkbox"/>	<input type="checkbox"/>	_____
- Noise source located and repaired	<input type="checkbox"/>	<input type="checkbox"/>	_____
- Follow up test drive performed to confirm repair	<input type="checkbox"/>	<input type="checkbox"/>	_____

VIN: _____ Customer Name: _____

W.O. #: _____ Date: _____

This form must be attached to Work Order

SBT844

INSTRUMENT PANEL ASSEMBLY

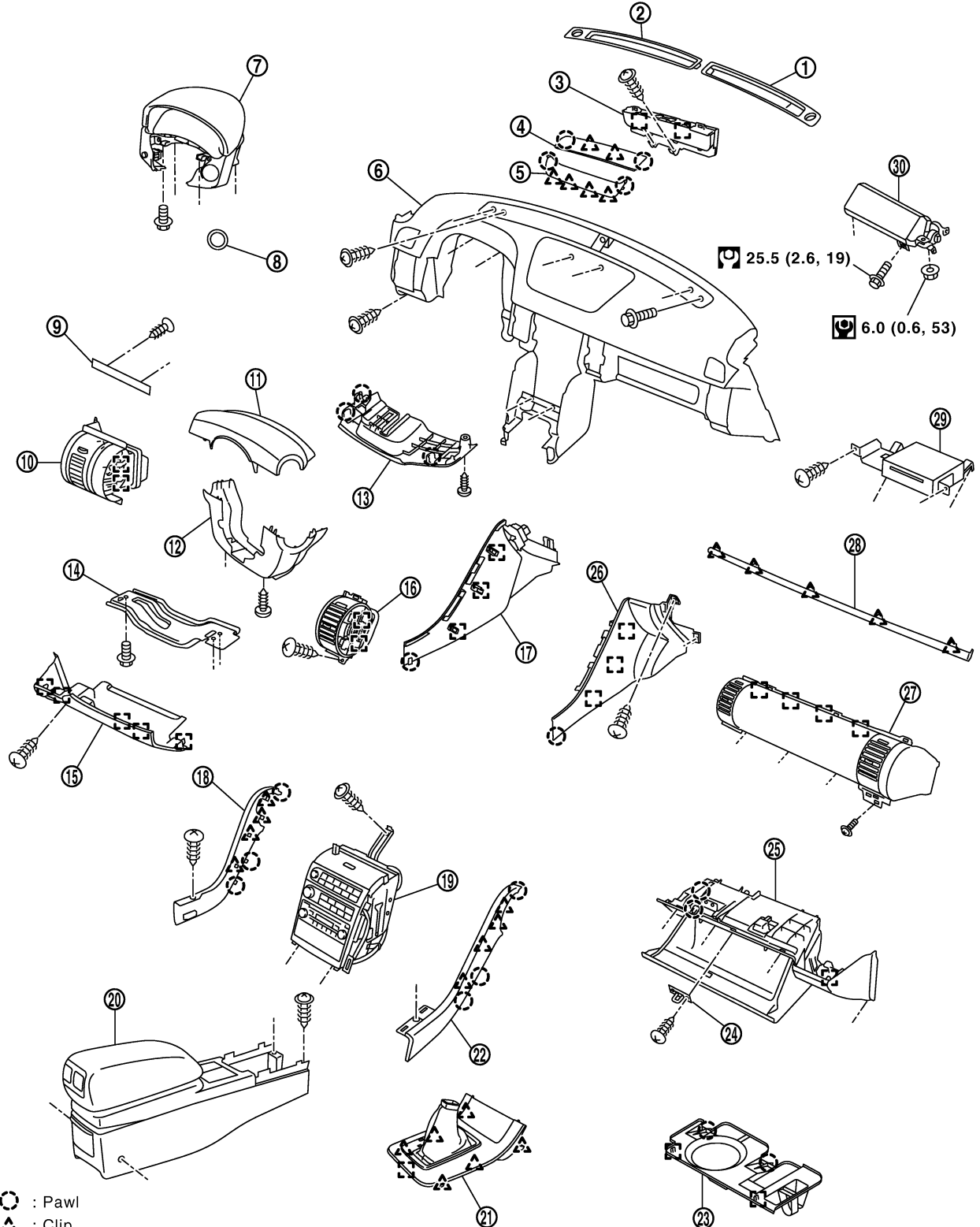
INSTRUMENT PANEL ASSEMBLY






PFP:68200

Component Parts Drawing

AIS006A3

SEC. 251•280•487•680•685•969



-  : Pawl
-  : Clip
-  : Metal clip
-  : N•m (kg-m, ft-lb)
-  : N•m (kg-m, in-lb)

PIIB2701E

INSTRUMENT PANEL ASSEMBLY

- | | | |
|---------------------------------------|---------------------------------|--------------------------------------|
| 1. Front defroster grille (RH) | 2. Front defroster grille (LH) | 3. Display unit & amplifier |
| 4. Cluster lid finisher upper | 5. Cluster lid finisher lower | 6. Instrument panel & pad |
| 7. Cluster lid A | 8. Steering lock escutcheon | 9. Instrument finisher A |
| 10. Side ventilator grille (LH) | 11. Steering column cover upper | 12. Steering column cover lower |
| 13. Steering column cover front lower | 14. Knee protector lower | 15. Instrument driver lower panel |
| 16. Center ventilator grille (LH) | 17. Instrument side panel (LH) | 18. Cluster lid C side finisher (LH) |
| 19. Cluster lid C assembly | 20. Center console assembly | 21. Console finisher |
| 22. Cluster lid C side finisher (RH) | 23. Instrument lower cover | 24. Glove box striker |
| 25. Glove box assembly | 26. Instrument side panel (RH) | 27. Center box assembly |
| 28. Instrument finisher B | 29. NAVI control unit | 30. Passenger air bag module |

A
B
C
D

Removal and Installation WORK STEP

AIS006A4

When removing instrument panel and pad, combination meter, audio and display, NAVI control unit and center console, take steps in the order shown by the numbers below.

E
F

	Parts	Reference page	Instrument panel & pad	Cluster lid C	Cluster lid A	Center console assembly	Glove box assembly	Center box assembly
A	Selector knob (A/T models)	AT-236	1	1		1		1
B	Shift knob (M/T models)	MT-13	1	1		1		1
C	Console finisher (A/T models)	IP-12	2	2		2		2
D	Console boot (M/T models)	IP-12	2	2		2		2
E	Cluster lid C side finisher (RH/LH)	IP-12	3	3		3		3
F	Cluster lid finisher upper	IP-12	4	4				
G	Cluster lid finisher lower	IP-13	5	5				
H	Instrument finisher B	IP-13	6	6				4
I	Cluster lid C side finisher (RH/LH)	IP-13	7	7				
J	Instrument lower driver panel	IP-13	8		1			
K	Steering column covers	IP-13	9		2			
L	Ligting & turn signal switch	LT-128	10		3			
M	Wiper & washer switch	WW-37	11		4			
N	Knee protector lower	IP-14	12		5			
O	Steering lock escutcheon	IP-14	13		6			
P	Cluster lid A	IP-14	14		7			
Q	Front kicking plate(RH/LH)	EI-31	15				1	5
R	Dush side finisher(RH/LH)	EI-31	16				2	6
S	Instrument lower cover	IP-14	17				3	7
T	Glove box assembly	IP-14	18				4	8
U	Instrument side panel (RH/LH)	IP-15	19					9
V	Center box assembly	IP-15	20					10
W	NAVI control unit	AV-101	21					
X	Passenger air bag module	SRS-45	22					
Y	Center console assembly	IP-15	23					
Z	Display unit & amplifier	ATC-119	24					
Aa	Front defroster grille (RH/LH)	ATC-135	25					
Ab	Side ventilator grille (LH)	ATC-135	26					
Ac	Center ventilator grille (LH)	ATC-135	27					

G
H

IP

J
K

L
M

INSTRUMENT PANEL ASSEMBLY

	Parts	Reference page	Instrument panel & pad	Cluster lid C	Cluster lid A	Center console assembly	Glove box assembly	Center box assembly
Ad	Front pillar garnish	EI-31	28					
Ae	Instrument panel & pad	IP-16	29					

REMOVAL

(A) Selector lever Knob (A/T Models)

Remove selector lever knob. Rfer to [AT-236, "Control Device Removal and Installation"](#) .

(B) Shift Knob (M/T Models)

Remove shift knob. Refer to [MT-13, "SHIFT CONTROL"](#) .

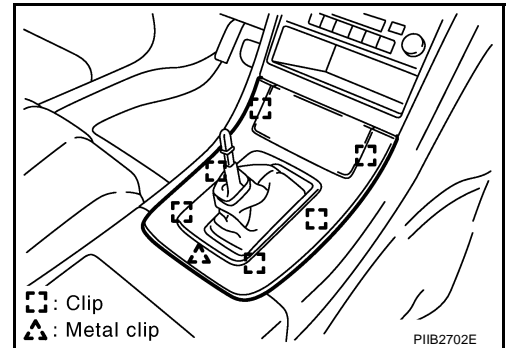
(C) Console Finisher (A/T Models)

1. Put selector lever in drive position.
2. Remove clips from rear of console finisher, then remove clips at front. Pull console finisher upward to disengage from console.

CAUTION:

Guide pin inserted into A/T device guide can be easily broken. Be careful when removing it.

3. Disconnect harness connectors, and remove console finisher.
4. After removing, remove each parts from console finisher.

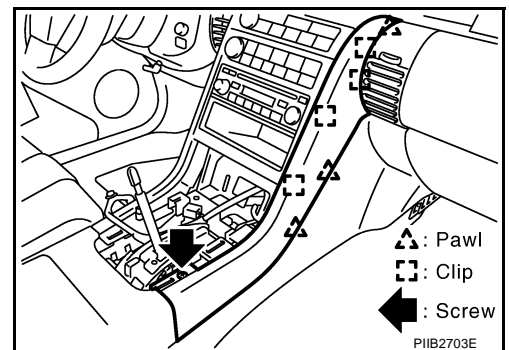


(D) Console Boot (M/T Models)

1. Insert a thin flat-bladed screwdriver wrapped with tape from behind console boot, and remove metal clip on back. Then pull up and back to disengage from front metal clip.
2. Disvonnect hazard switch harness connector, and remove console boot.

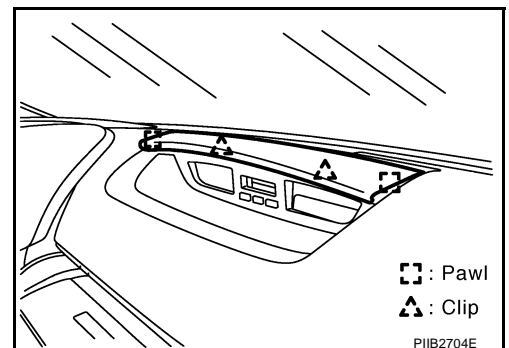
(E) Cluster Lid C Side Finisher (RH/LH)

1. Remove screws.
2. Disconnect pawls, and remove cluster lid C side finisher.



(F) Cluster Lid Finisher Upper

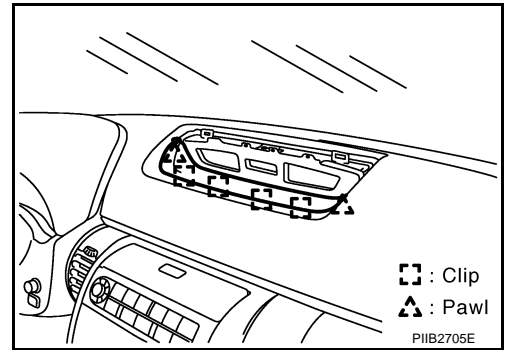
Pull to the backside, disconnect clips and pawls, and remove cluster lid finisher upper.



INSTRUMENT PANEL ASSEMBLY

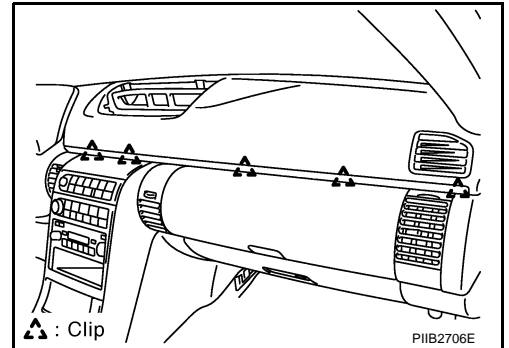
(G) Cluster Lid Finisher Lower

Disconnect pawls and clips, and remove cluster lid finisher lower.



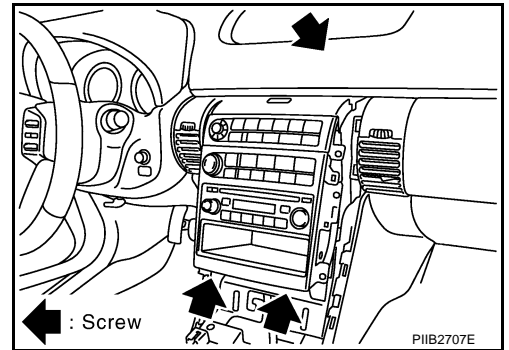
(H) Instrument Finisher B

Disconnect clips, and remove instrument finisher B.



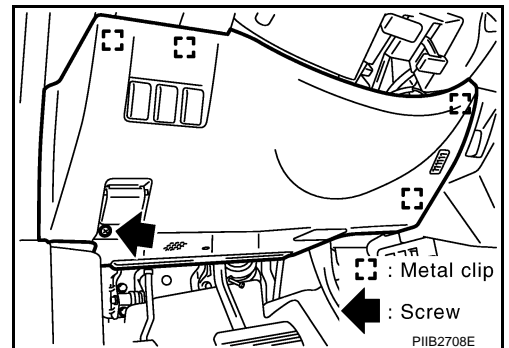
(I) Cluster Lid C

1. Remove screws.
2. Disconnect harness connector of display unit and audio unit, and remove it.



(J) Instrument Lower Driver Panel

1. Remove screws.
2. Pull back to your side, disconnect metal clips and remove instrument lower driver panel.
3. Disconnect in-vehicle sensor and each electrical parts connectors.
4. Remove grommet, and remove hood lock cable.



(K) Steering Column Covers

1. Remove screws and pawls and remove steering column cover front lower.
2. Disconnect pawls, and remove upper and lower side of steering column covers.

(L) Lighting and Turn Signal Switch

Remove lighting and turn signal switch. Refer to [LT-128, "LIGHTING AND TURN SIGNAL SWITCH"](#) .

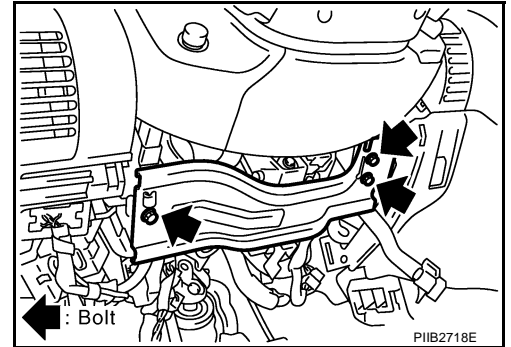
INSTRUMENT PANEL ASSEMBLY

(M) Wiper and Washer Switch

Remove wiper and washer switch. Refer to [WW-37, "Removal and Installation of Front Wiper and Washer Switch"](#)

(N) Knee Protector Lower

Remove bolts and then remove knee protector.

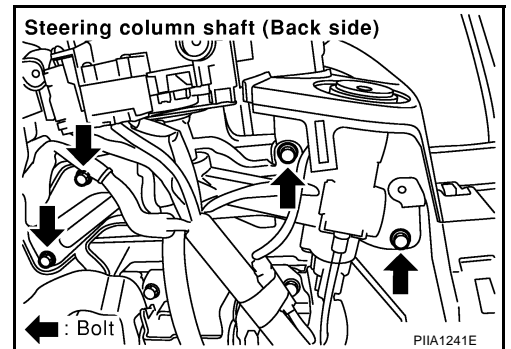


(O) Steering Lock Escutcheon

Pull back to your side, and remove steering lock escutcheon.

(P) Cluster Lid A

After removing bolts, disconnect harness connectors of combination meter and mirror control switch, and remove cluster lid A.



(Q) Front Kicking Plate (RH/LH)

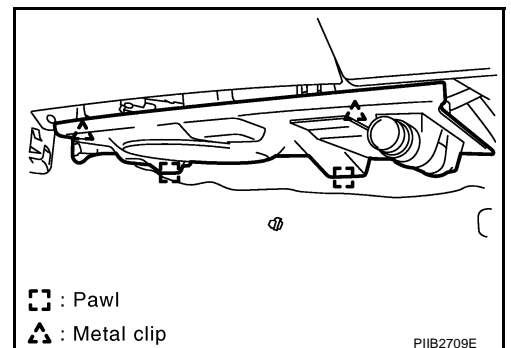
Remove front kicking plate (RH/LH). Refer to [EI-31, "BODY SIDE TRIM"](#) .

(R) Dash Side Finisher (RH/LH)

Remove dash side finisher (RH/LH). Refer to [EI-31, "BODY SIDE TRIM"](#) .

(S) Instrument Lower Cover

Pull downward, disconnect metal clips, and remove instrument lower cover.

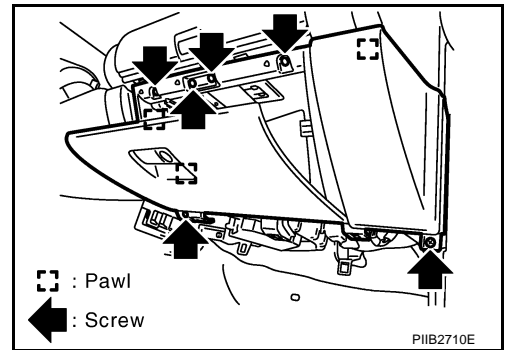


(T) Glove Box Assembly

1. Remove screws with power tool.

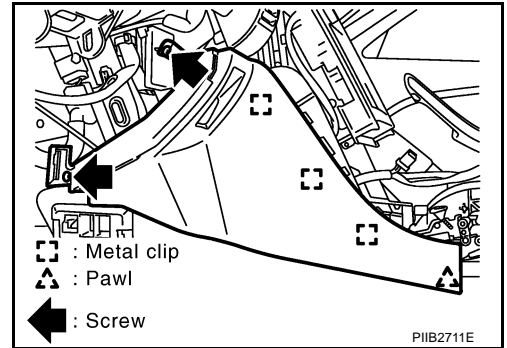
INSTRUMENT PANEL ASSEMBLY

2. Pull back to your side, and disconnect clips, and remove glove box assembly.



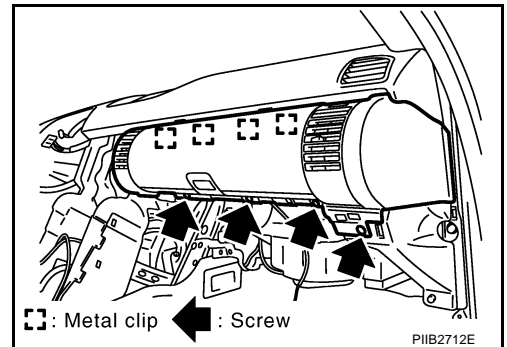
(U) Instrument Side Panel (RH/LH)

1. Remove screws.
2. Pull to the side, disconnect metal clips and harness connector, and remove instrument side panel (RH/LH).



(V) Center Box Assembly

1. Remove screws.
2. Hold left side of center box assembly, pull to outside of vehicle and disconnect metal clips. Remove center box assembly.



(W) NAVI Control Unit

Remove screws, and disconnect harness connector, and remove NAVI control unit. Refer to [AV-101, "Removal and Installation of NAVI Control Unit"](#).

(X) Passenger Air Bag Module

Remove bolts and nuts, and remove passenger air bag module. Refer to [SRS-45, "FRONT PASSENGER AIR BAG MODULE"](#).

(Y) Center Console

Remove screws and remove center console.

(Z) Display unit and Amplifier Assembly

Remove screws, and disconnect harness connector, and remove audio display and amplifier assembly. Refer to [ATC-119, "Removal and Installation of Display and A/C Auto Amp."](#)

(Aa) Front Defroster Grille (RH/LH)

Disconnect pawls with screwdriver wrapped in cloth and remove defroster grille. Refer to [ATC-135, "DUCTS AND GRILLES"](#).

(Ab) Side Ventilator Grille (LH)

Pull back to your side, disconnect metal clips and remove side ventilator grille. Refer to [ATC-135, "DUCTS AND GRILLES"](#).

A
B
C
D
E
F
G
H
IP
J
K
L
M

INSTRUMENT PANEL ASSEMBLY

(Ac) Center Ventilator Grille (LH)

Pull back to your side, disconnect metal clips and remove center ventilator grille. Refer to [ATC-135, "DUCTS AND GRILLES"](#) .

(Ad) Front Pillar Garnish (RH/LH)

Pull to inside of vehicle, disconnect metal clips and remove front pillar garnish. Refer to [EI-31, "BODY SIDE TRIM"](#) .

(Ae) Instrument Panel and Pad

1. Lower steering column.
2. Remove bolts and screws, and remove instrument panel and pad from passenger door opening portion.

INSTALLATION

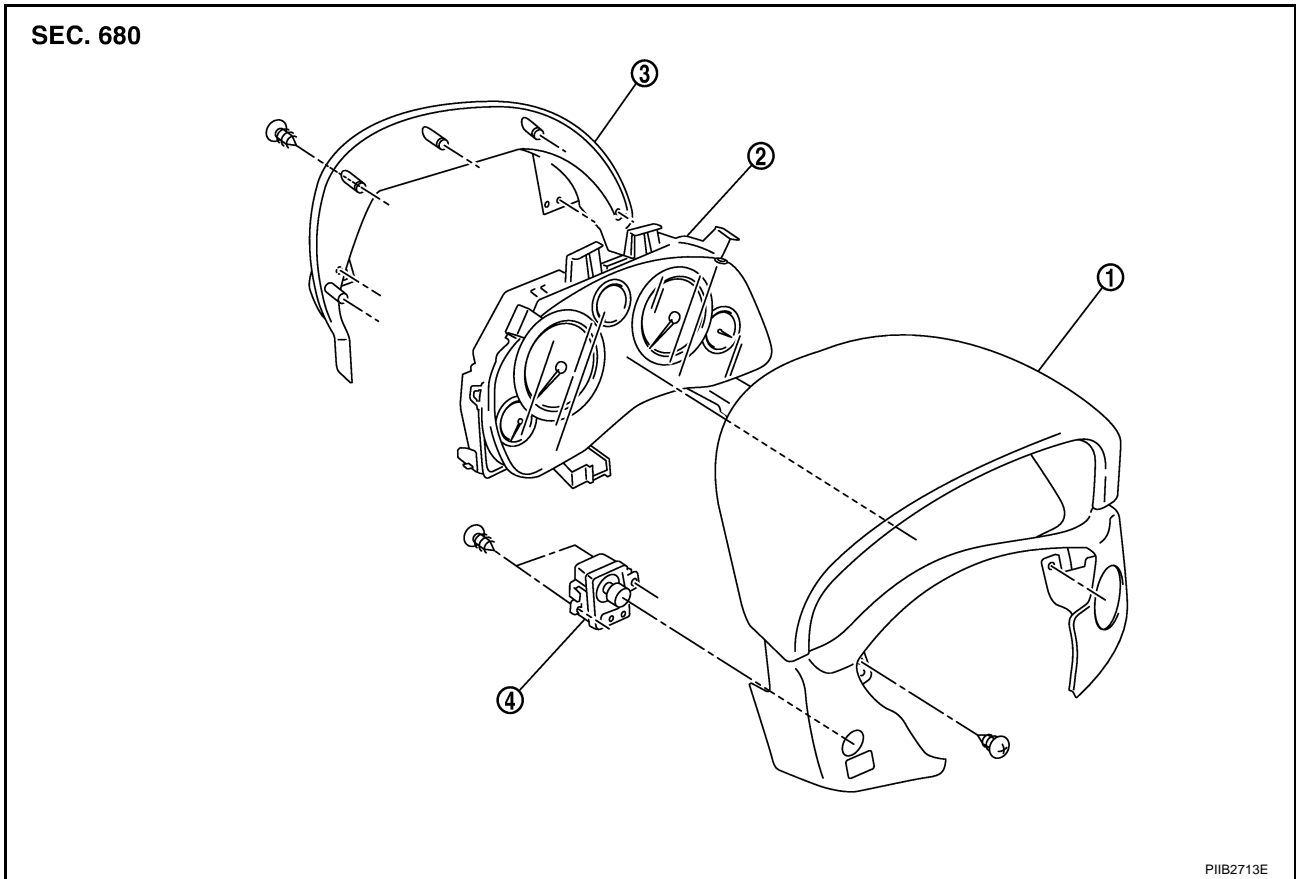
Install in the reverse order of removal.

INSTRUMENT PANEL ASSEMBLY

Disassembly and Assembly CLUSTER LID A

AIS006A5

A
B
C
D
E
F
G
H
IP
J
K
L
M



1. Cluster lid A
2. Combination meter
3. Cluster lid A cover
4. Mirror control switch

Disassembly

1. Remove screws, and then remove mirror control switch.
2. Remove screws, and then remove cluster lid A cover.
3. Remove screws, and then remove combination meter.

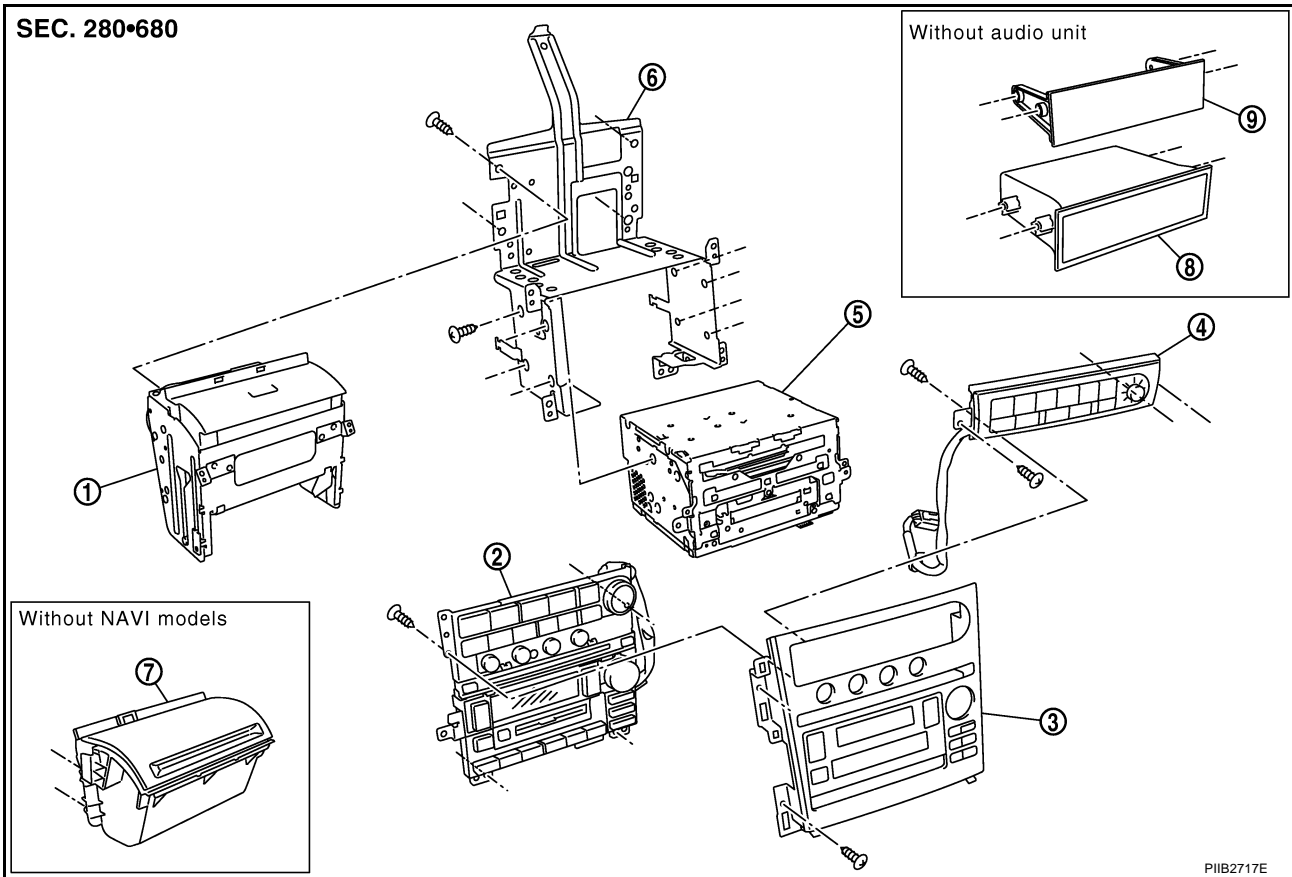
Assembly

Assemble in the reverse order of disassembly.

INSTRUMENT PANEL ASSEMBLY

CLUSTER LID C

SEC. 280•680



- | | | |
|----------------------------|---------------------------|--------------------|
| 1. Display unit assembly | 2. Control panel assembly | 3. Cluster lid C |
| 4. AV&NAVI SW | 5. Audio assembly | 6. Audio bracket |
| 7. Instrument upper pocket | 8. Pcket deck | 9. Instrument mask |

Disassembly

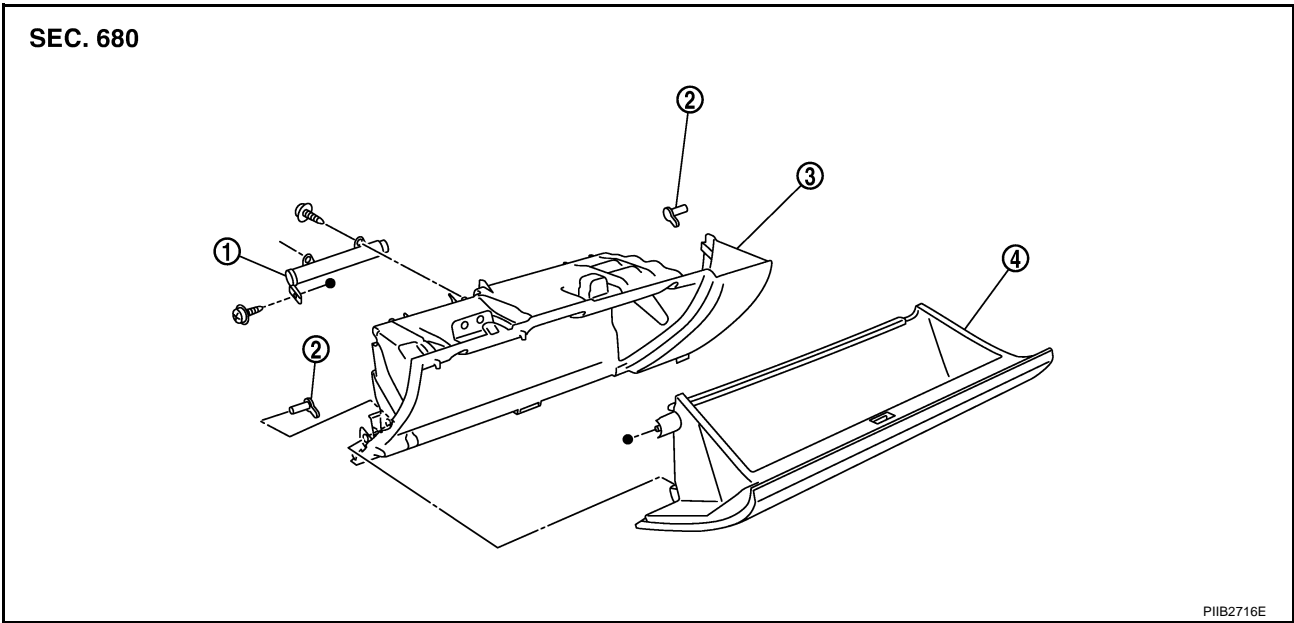
1. Remove cluster lid C panel.
2. Remove AV & NAVI switch.
3. Remove control panel assembly.
4. Remove display unit.
5. Remove instrument upper pocket (without NAVI models).
6. Remove audio assembly.
7. Remove instrument mask (without audio models).
8. Remove pocket deck.

Assembly

Assemble in the reverse order of disassembly.

INSTRUMENT PANEL ASSEMBLY

GLOVE BOX ASSEMBLY



1. Damper
2. Pin
3. Instrument lower passenger panel
4. Glove box

Disassembly

1. Remove screws of damper wire portion.
2. Disconnect glove box pins, and remove glove box.
3. Remove screws on back side of instrument lower passenger panel, and remove damper.

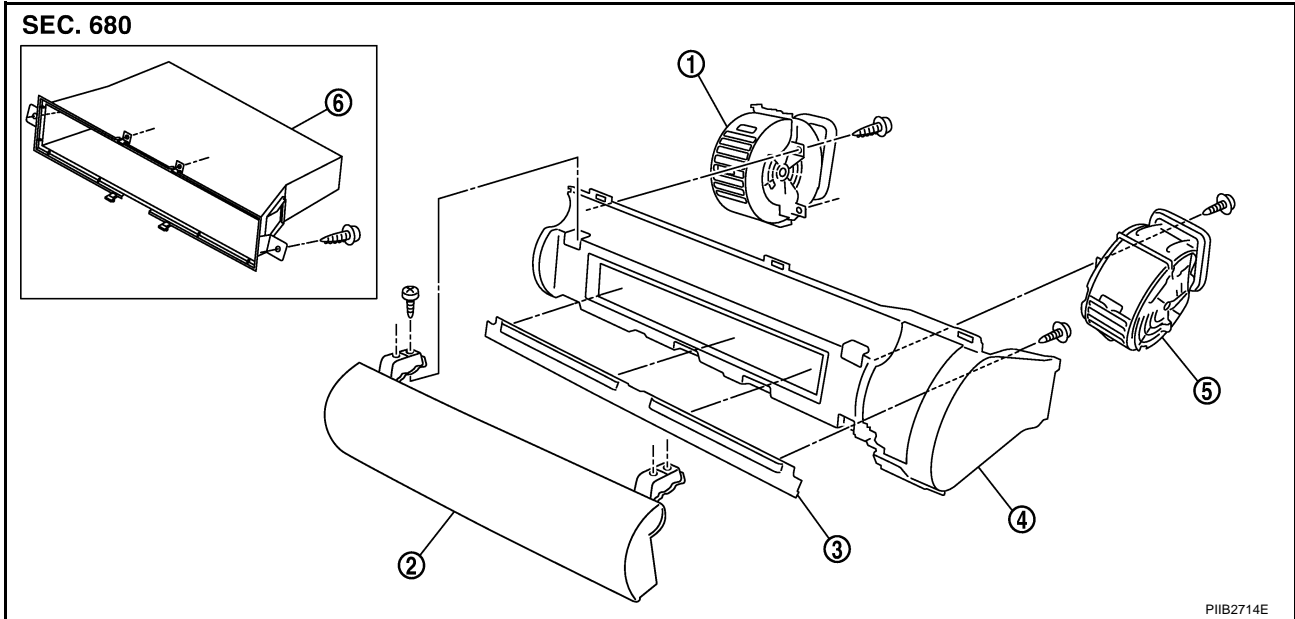
Assembly

Assemble in the reverse order of disassembly.

A
B
C
D
E
F
G
H
IP
J
K
L
M

INSTRUMENT PANEL ASSEMBLY

CENTER BOX ASSEMBLY



- | | | |
|----------------------------------|--------------------------------|-------------------------|
| 1. Center ventilator grille (RH) | 2. Center box upper lid | 3. Center box lower lid |
| 4. Center box | 5. Side ventilator grille (RH) | 6. Pocket |

Disassembly

1. Remove screws and pawls, and then remove side ventilator grille (RH) and center ventilator grille.
2. Remove screws, and then remove NAVI control unit.
3. Remove screws, and then remove pocket (without NAVI models).
4. Remove screws, and then remove center box upper and lower lid.

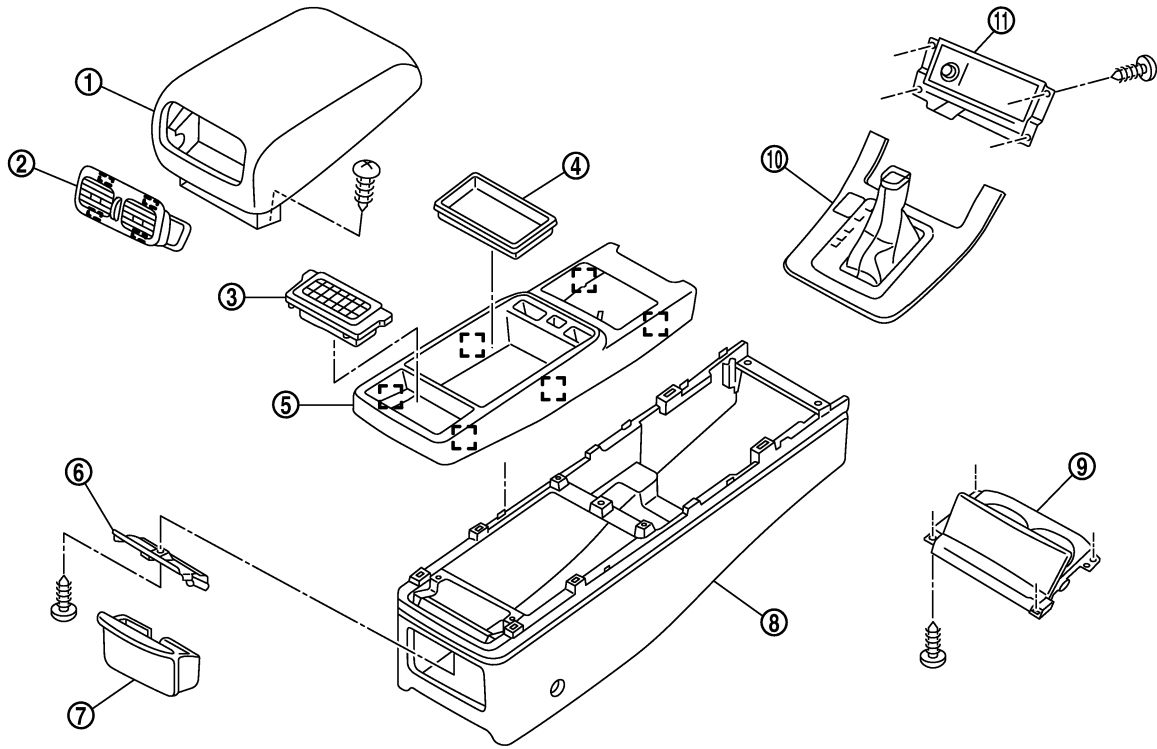
Assembly

Assemble in the reverse order of disassembly.

INSTRUMENT PANEL ASSEMBLY

CENTER CONSOLE (A/T MODELS)

SEC. 969



☐ : Metal clip

PIIB2715E

- | | | |
|----------------------|---------------------------|--------------------|
| 1. Console lid | 2. Rear ventilator grille | 3. Console mask |
| 4. Console pocket | 5. Console tray | 6. Ashtray bracket |
| 7. Ashtray (rear) | 8. Center console | 9. Cup holder |
| 10. Console finisher | 11. Ashtray (front) | |

Disassembly

1. Remove screws of back side (front), and remove ashtray (front portion).
2. Remove console mask.
3. Remove screws and remove console lid.
4. Disconnect metal clips and remove rear ventilator from console lid.
5. Remove ashtray.
6. Remove screws and remove ashtray bracket.
7. Disconnect metal clips (back side), and remove console tray.
8. Remove screws of back side (lower), and remove cup holder.

Assembly

Assemble in the reverse order of disassembly.

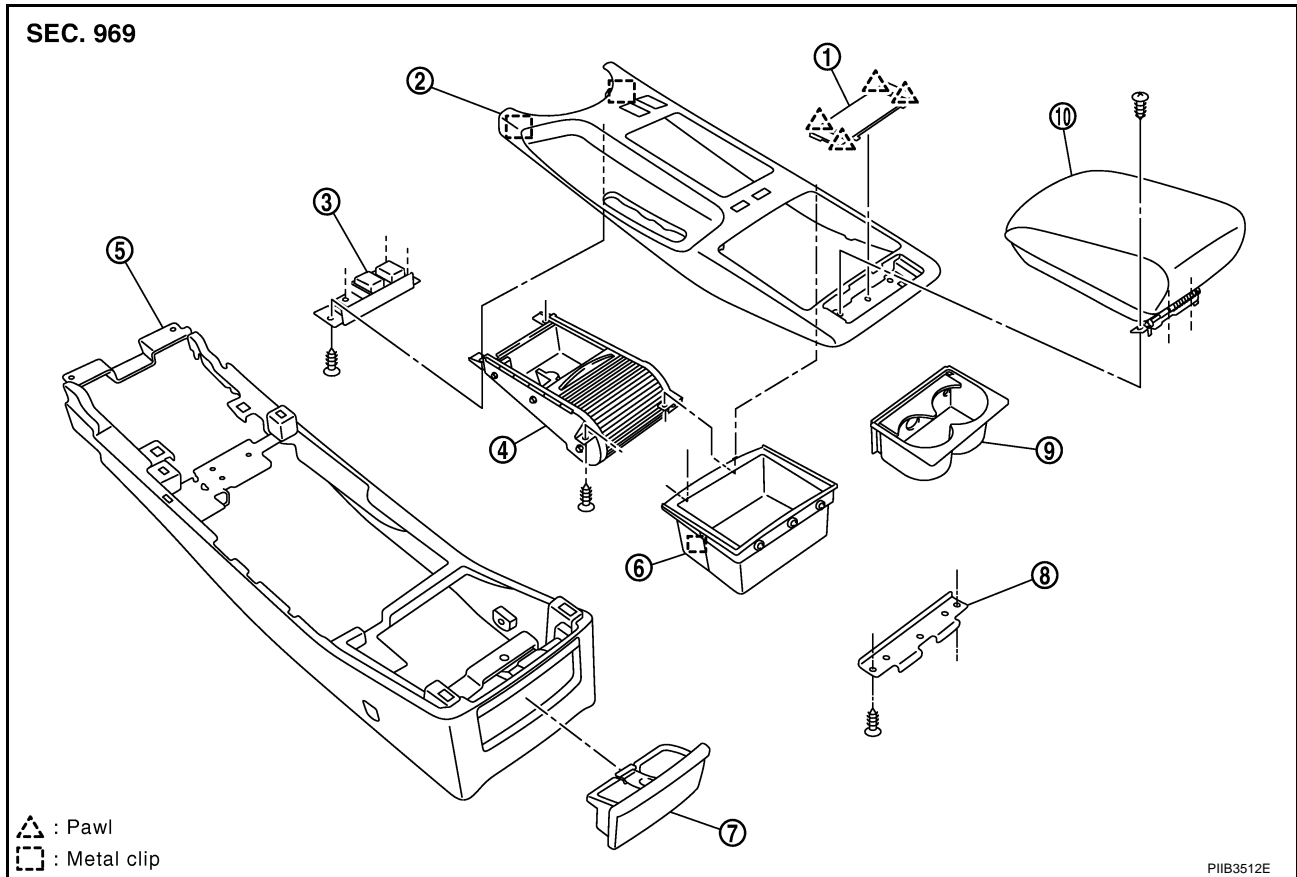
A
B
C
D
E
F
G
H

IP

J
K
L
M

INSTRUMENT PANEL ASSEMBLY

CENTER CONSOLE (M/T MODELS)



- | | | |
|-----------------------------|--------------------|--------------------------------|
| 1. Console mask | 2. Console tray | 3. Switch bezel |
| 4. Cup holder w/shutter | 5. Console body | 6. Console box |
| 7. Ashtray (rear seat side) | 8. Console bracket | 9. Cup holder (detaching type) |
| 10. Console lid | | |

Disassembly

1. Remove console mask.
2. Remove screws and remove console lid.
3. Remove metal clips and remove console tray.
4. Remove ashtray.
5. Remove screws of back side, and remove switch bezel and cup holder w/shutter.
6. Remove screws of back side, and remove console bracket and console box.

Assembly

Assemble in the reverse order of disassembly.