

SECTION **RAX**
REAR AXLE

A
B
C

RAX

CONTENTS

E

PRECAUTIONS	2	INSTALLATION	7	F
Caution	2	Disassembly and Assembly	7	
PREPARATION	3	DISASSEMBLY	7	G
Special Service Tools	3	INSPECTION AFTER DISASSEMBLY	8	
Commercial Service Tools	4	ASSEMBLY	8	H
NOISE, VIBRATION AND HARSHNESS (NVH)		INSPECTION AFTER ASSEMBLY	9	
TROUBLESHOOTING	5	REAR DRIVE SHAFT	10	I
NVH Troubleshooting Chart	5	Removal and Installation	10	J
WHEEL HUB	6	REMOVAL	10	
On-Vehicle Inspection and Service	6	INSPECTION AFTER REMOVAL	10	K
WHEEL BEARING INSPECTION	6	INSTALLATION	10	
Removal and Installation	6	Disassembly and Assembly	11	L
REMOVAL	6	DISASSEMBLY	11	
INSPECTION AFTER REMOVAL	7	INSPECTION AFTER DISASSEMBLY	12	M
		ASSEMBLY	13	
		SERVICE DATA AND SPECIFICATIONS (SDS)	16	
		Wheel Bearing	16	
		Drive Shaft	16	

PRECAUTIONS

PRECAUTIONS

PFP:00001

Caution

NDS0001Z

Observe the following precautions when disassembling and servicing drive shaft.

- Perform work in a location which is as dust-free as possible.
- Before disassembling and servicing, clean the outside of parts.
- Prevention of the entry of foreign objects must be taken into account during disassembly of the service location.
- Disassembled parts must be carefully reassembled in the correct order. If work is interrupted, a clean cover must be placed over parts.
- Paper shop cloths must be used. Fabric shop cloths must not be used because of the danger of lint adhering to parts.
- Disassembled parts (except for rubber parts) should be cleaned with kerosene which shall be removed by blowing with air or wiping with paper shop cloths.

PREPARATION

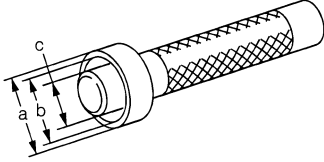
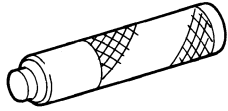
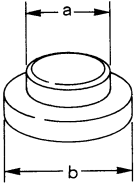
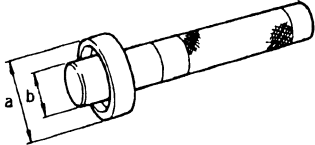
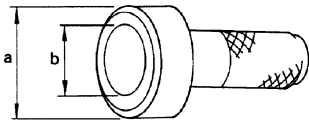
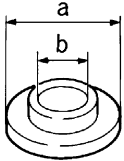
PREPARATION

PF0:00002

Special Service Tools

NDS00068

The actual shapes of Kent-Moore tools may differ from those of special service tools illustrated here.

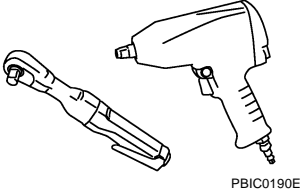
Tool number (Kent-Moore No.) Tool name	Description
ST33220000 (—) Drift a: 37 mm (1.46 in) dia. b: 31 mm (1.22 in) dia. c: 22 mm (0.87 in) dia.	 ZZA1046D <ul style="list-style-type: none"> ● Removing wheel hub ● Removing wheel bearing outer side inner race ● Inspection of wheel bearing rotating torque
ST33251000 (—) Drift	 ZZA0982D <p>Installing wheel hub</p>
ST35300000 (—) Drift a: 45 mm (1.77 in) dia. b: 59 mm (2.32 in) dia.	 ZZA0881D <ul style="list-style-type: none"> ● Installing wheel hub ● Inspection of wheel bearing rotating torque
KV40100900 (—) Drift a: 52 mm (2.05 in) dia. b: —	 ZZA0539D <p>Wheel bearing rotating torque inspection</p>
KV38100500 (—) Drift a: 80 mm (3.15 in) dia. b: 60 mm (2.36 in) dia.	 ZZA0701D <p>Installing drive shaft plug</p>
KV38102200 (—) Drift a: 90 mm (3.54 in) dia. b: 31 mm (1.22 in) dia.	 ZZA0920D <p>Installing drive shaft plug</p>

A
B
C
RAX
E
F
G
H
I
J
K
L
M

PREPARATION

Commercial Service Tools

NDS000G9

Tool name	Description
<p data-bbox="140 259 252 285">Power tool</p>  <p data-bbox="874 463 944 478">PBIC0190E</p>	<p data-bbox="1046 259 1302 285">Loosening bolts and nuts</p>

NOISE, VIBRATION AND HARSHNESS (NVH) TROUBLESHOOTING

NOISE, VIBRATION AND HARSHNESS (NVH) TROUBLESHOOTING

PPF:00003

NVH Troubleshooting Chart

NDS00022

Use chart below to help you find the cause of the symptom. If necessary, repair or replace these parts.

Reference page		Possible cause and SUSPECTED PARTS														
		—	RAX-12	—	RAX-6	—	NVH in PR section.	NVH in RFD section.	NVH in RAX and RSU sections.	Refer to REAR AXLE in this chart.	NVH in WT section.	NVH in WT section.	Refer to DRIVE SHAFT in this chart.	NVH in BR section.	NVH in PS section.	
Symptom	DRIVE SHAFT	Noise	x	x				x	x	x	x	x		x	x	
		Shake	x		x			x		x	x	x		x	x	
	REAR AXLE	Noise				x	x	x	x	x		x	x	x	x	x
		Shake				x	x	x		x		x	x	x	x	x
		Vibration				x	x	x		x		x		x		x
		Shimmy				x	x			x		x	x		x	x
		Judder				x				x		x	x		x	x
		Poor quality ride or handling				x	x			x		x	x			

x: Applicable

A
B
C
RAX
E
F
G
H
I
J
K
L
M

WHEEL HUB

WHEEL HUB

PFP:43202

On-Vehicle Inspection and Service

NDS00023

Make sure the mounting conditions (looseness, back lash) of each component and component status (wear, damage) are normal.

WHEEL BEARING INSPECTION

- Move wheel hub in the axial direction by hand. Make sure there is no looseness of wheel bearing.

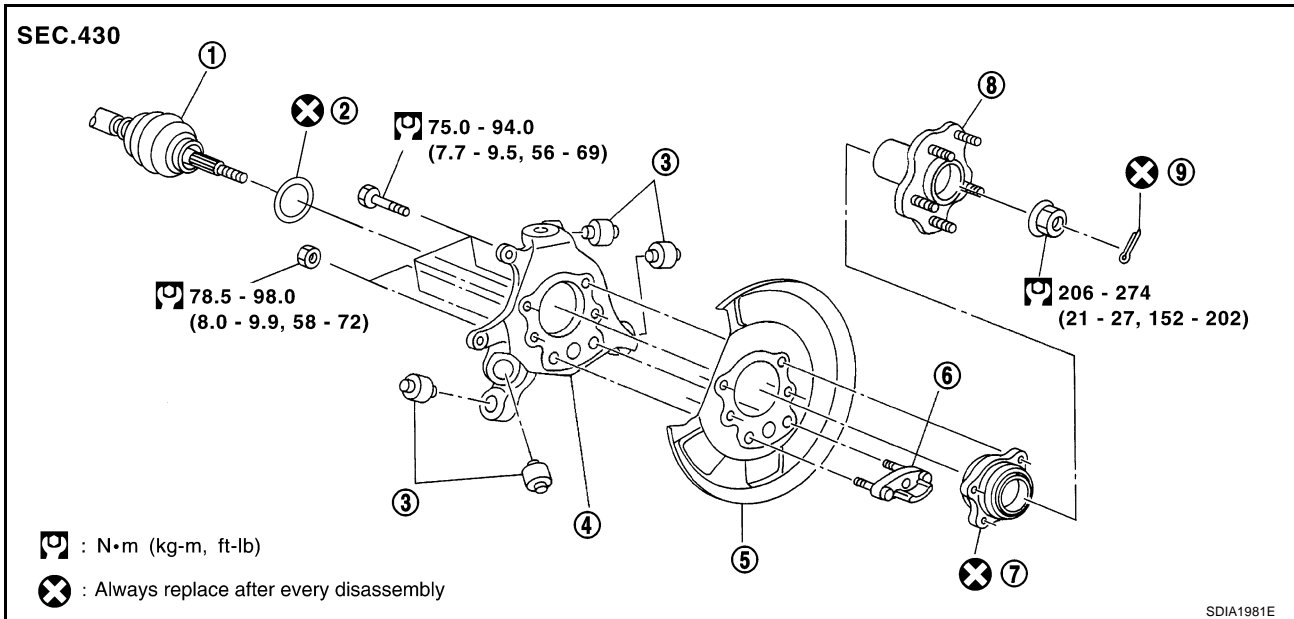
Standard value

Axial end play : 0.05 mm (0.002 in) or less

- Rotate wheel hub and check make sure there is no unusual noise or other irregular conditions. If there are any irregular conditions, replace wheel bearings.

Removal and Installation

NDS00024



- | | | |
|------------------|----------------|-----------------|
| 1. Drive shaft | 2. Dust shield | 3. Bushing |
| 4. Axle | 5. Back plate | 6. Anchor block |
| 7. Wheel bearing | 8. Wheel hub | 9. Cotter pin |

REMOVAL

1. Remove tire from vehicle with power tool.
2. Remove cotter pin. Then remove lock nut from drive shaft.
3. Remove brake caliper with power tool. Hang it in a place where it will not interfere with work. Refer to [BR-27, "REAR DISC BRAKE"](#)

NOTE:

Avoid depressing brake pedal while brake caliper is removed.

4. Remove disc rotor and remove parking cable and parking brake shoe from back plate. Refer to [PB-6, "PARKING BRAKE CONTROL"](#), [PB-8, "PARKING BRAKE SHOE"](#).
5. Remove fixing bolts and nuts in axle side of radius rod, front lower link with power tool.
6. Remove fixing bolt and nut in axle side of rear lower link with power tool. Then remove coil spring. Refer to [RSU-15, "REAR LOWER LINK & COIL SPRING"](#).
7. Remove fixing bolt in axle side of shock absorber with power tool.
8. Using a puller (suitable tool), remove axle from drive shaft.

CAUTION:

- When removing axle, do not apply an excessive angle to drive shaft joint. Also be careful not to excessively extend slide joint.

WHEEL HUB

- Do not allow drive shaft to hang down without support for counter shaft, wheel joints, and other parts.

9. Remove suspension arm and cotter pin at axle, then loosen mounting nut.
10. Use a ball joint remover (suitable tool) to remove suspension arm from axle. Be careful not to damage ball joint boot.

CAUTION:

Tighten temporarily mounting nut to prevent damage to threads and to prevent ball joint remover (suitable tool) from coming off.

INSPECTION AFTER REMOVAL

Ball Joint Inspection

Check for boot breakage, axial looseness, and torque of suspension arm ball joint. Refer to [RSU-11, "SUSPENSION ARM"](#).

INSTALLATION

Refer to [RAX-6, "Removal and Installation"](#) for tightening torque. Install in the reverse order of removal.

NOTE:

Refer to component parts location and do not reuse non-reusable parts.

Disassembly and Assembly

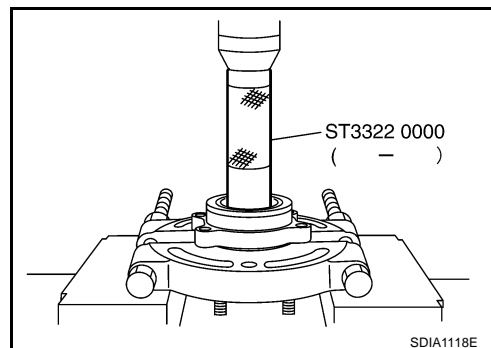
DISASSEMBLY

Wheel Bearing

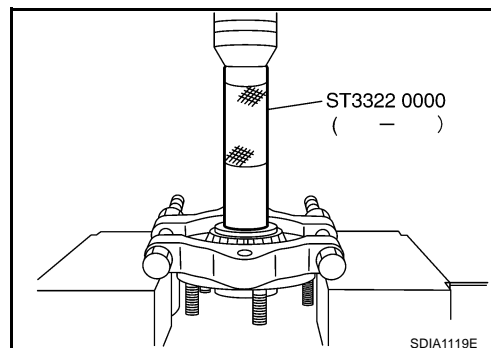
CAUTION:

Do not disassemble if wheel bearing has no trouble.

1. Remove wheel bearing fixing bolts and anchor block fixing nuts, and remove wheel hub and bearing assembly, back plate and anchor block from axle.
2. Using a drift (SST) and a puller (suitable tool), press wheel hub out to remove from wheel bearing.



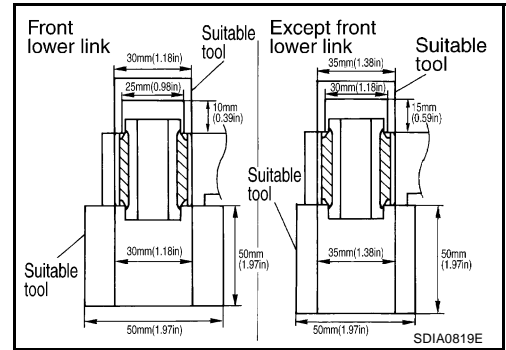
3. Using a drift (SST) and a puller (suitable tool), press wheel bearing outer side inner race out to remove from wheel hub.



WHEEL HUB

Bushing

Using a suitable drift, remove each bushing from axle.



INSPECTION AFTER DISASSEMBLY

Check for deformity, cracks and damage of each parts, replace if necessary.

Wheel Hub

Inspect wheel hub for deformation, cracks, and other damage. If any irregular conditions are found, replace wheel hub.

Axle

Inspect axle for deformation, cracks, and other damage. If any irregular conditions are found, replace axle.

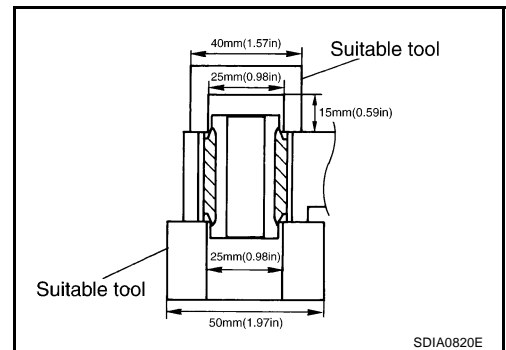
Back Plate

Inspect back plate for deformation, cracks, and other damage. If any irregular conditions are found, replace back plate.

ASSEMBLY

Bushing

Using a suitable drift to install each bushing onto axle.



Wheel Bearing

1. Press fit a wheel hub into wheel bearing with a drift (SST).

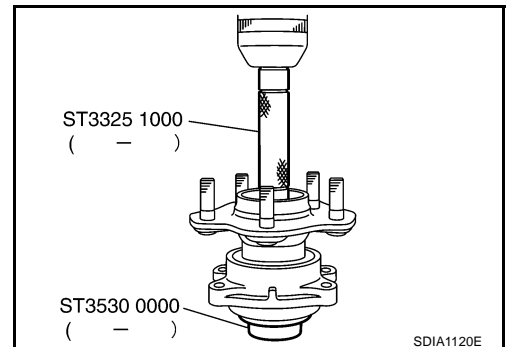
CAUTION:

- Press fit a drift (SST) while holding it against wheel bearing inner side inner race.
- Wheel bearing cannot be reused. Do not attempt to reuse it.

NOTE:

Final press load guideline 49,033 N (5,000 kg, 11,000 lb)

2. Install back plate and wheel hub and bearing assembly.
3. Install anchor block onto axle.



WHEEL HUB

INSPECTION AFTER ASSEMBLY

1. With wheel bearing pressed into axle, apply 49,033 N (5,000 kg, 11,000 lb) to wheel hub and rotate both clockwise and counterclockwise 10 times to minimize resistance.
2. Attach spring balance in the position shown in illustration and pull at a rate of 10 ± 2 rpm to measure rotating torque.

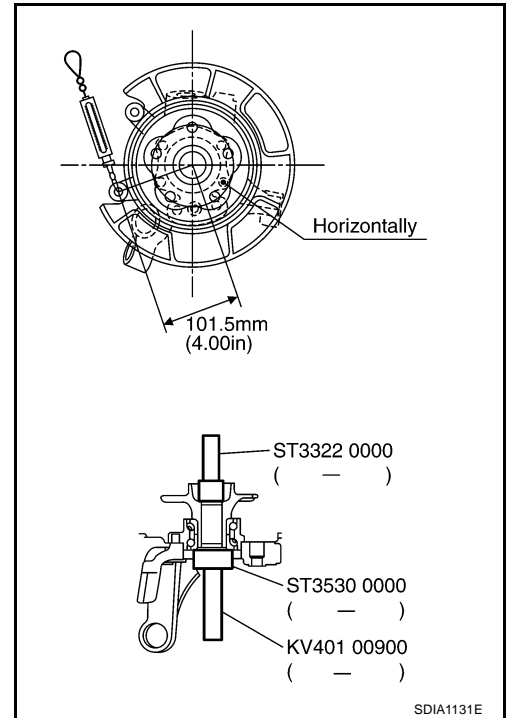
Standard value

Rotating torque:

Less than 1.88 N·m (0.19 kg·m, 17 in·lb)

Spring balance reading:

Less than 18.5 N (1.89 kg, 4.16 lb)



A
B
C
RAX
E
F
G
H
I
J
K
L
M

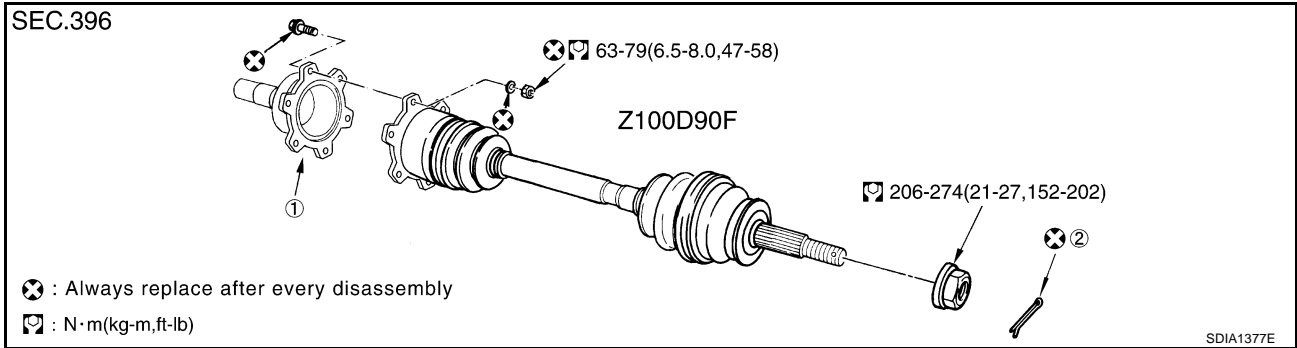
REAR DRIVE SHAFT

PFP:39600

REAR DRIVE SHAFT

Removal and Installation

NDS00026



1. Side flange

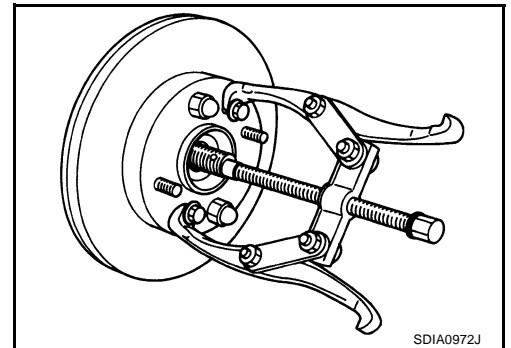
2. Cotter pin

REMOVAL

1. Remove tire from vehicle with power tool.
2. Remove cotter pin. Then remove lock nut from drive shaft.
3. Remove stabilizer connecting rod mounting bracket bolts and free stabilizer connecting rod.
4. Remove fixing nuts and bolts between side flange and drive shaft with power tool.
5. Using a puller (suitable tool), remove drive shaft from axle.

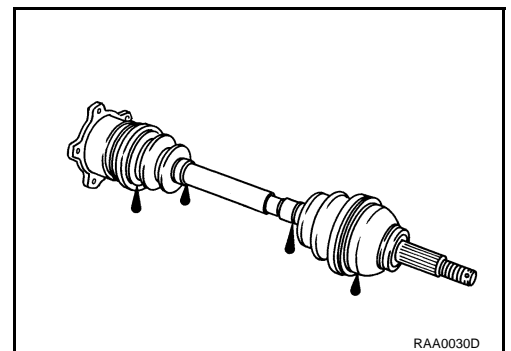
CAUTION:

When removing drive shaft, do not apply an excessive angle to drive shaft joint. Also be careful not to excessively extend slide joint.



INSPECTION AFTER REMOVAL

- Move joint up/down, left/right, and in the axial direction. Check for any rough movement or significant looseness.
- Check boot for cracks or other damage, and also for grease leakage.
- If a trouble is found, disassemble drive shaft, and then replace with new one.



INSTALLATION

Refer to [RAX-10, "Removal and Installation"](#) for tightening torque. Install in the reverse order of removal.

NOTE:

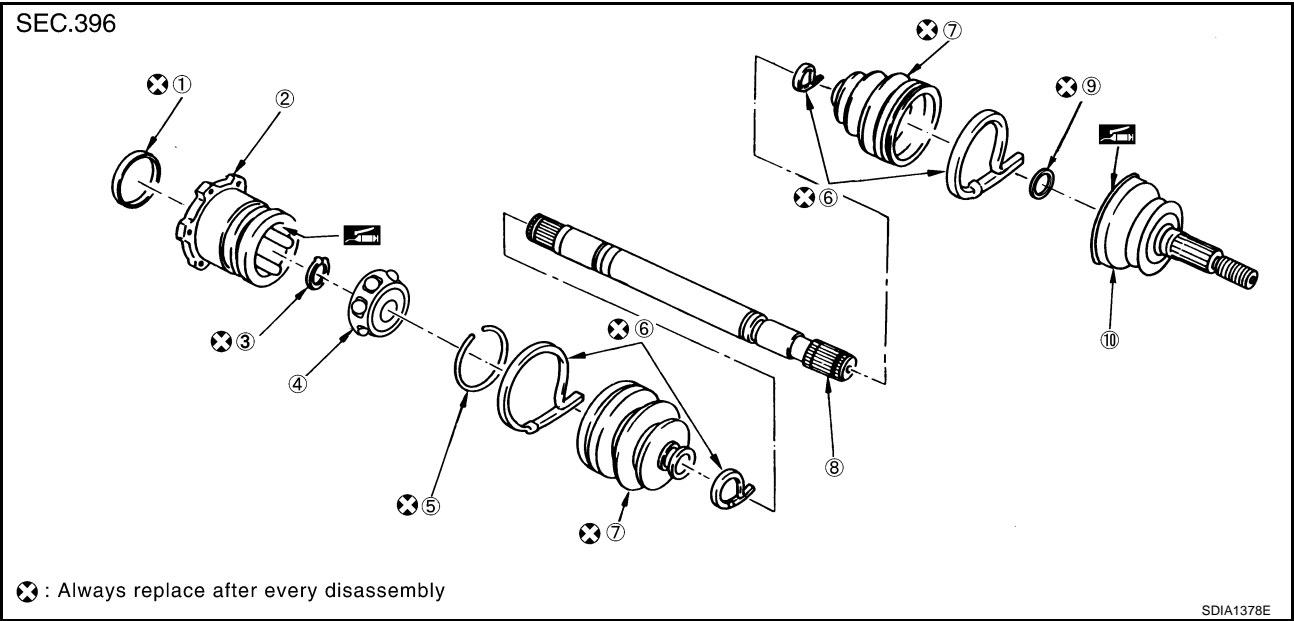
Refer to component parts location and do not reuse non-reusable parts.

REAR DRIVE SHAFT

Disassembly and Assembly

NDS00027

A
B
C
RAX
E
F
G
H
I
J
K
L
M



- | | | |
|---|-----------------|------------------|
| 1. Plug | 2. Housing | 3. Snap ring |
| 4. Ball cage/Steel ball/Inner race assembly | 5. Stopper ring | 6. Boot band |
| 7. Boot | 8. Shaft | 9. Circular clip |
| 10. Joint sub-assembly | | |

DISASSEMBLY

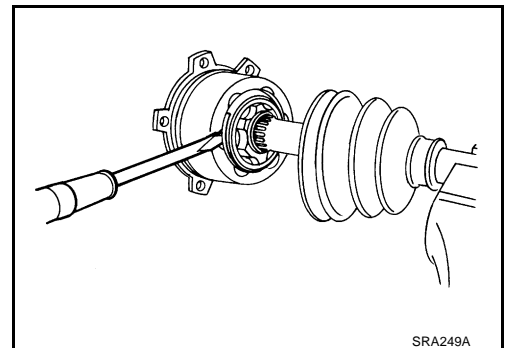
Final Drive Side

1. Press shaft in a vise.

CAUTION:

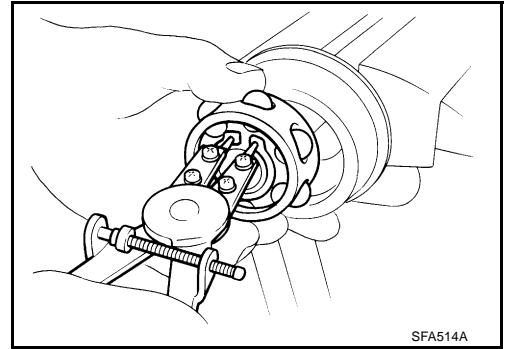
When retaining drive shaft in a vise, always use copper or aluminum plates between vise and shaft.

2. Remove boot bands.
3. If plug needs to be removed, move boot to wheel side, and drive it out with a plastic hammer.
4. Remove stopper ring with a flat-bladed screwdriver, and pull out housing.



REAR DRIVE SHAFT

5. Remove snap ring, then remove ball cage/steel ball/inner race assembly from shaft.
6. Remove boot from shaft.
7. Remove old grease on housing with paper towels.



Wheel Side

1. Place shaft in a vise.

CAUTION:

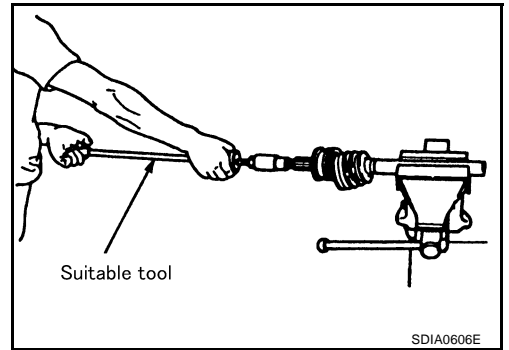
When retaining drive shaft in a vise, always use copper or aluminum plates between vise and shaft.

2. Remove boot bands. Then remove boot from joint sub-assembly.
3. Screw a drive shaft puller 30 mm (1.18 in) or more into threaded part of joint sub-assembly. Pull joint sub-assembly out of shaft.

CAUTION:

- If joint sub-assembly cannot be removed after five or more unsuccessful attempts, replace shaft and joint sub-assembly as a set.
- Align sliding hammer and drive shaft and remove them by pulling directly.

4. Remove boot from shaft.
5. Remove circular clip from shaft.
6. While rotating ball cage, remove old grease on joint sub-assembly with paper towels.



INSPECTION AFTER DISASSEMBLY

Shaft

Replace shaft if there is any runout, cracking, or other damage.

Joint Sub-Assembly

- Make sure there is no rough rotation or unusual axial looseness.
- Make sure there is no foreign material inside joint.
- Check joint sub-assembly for compression scars, cracks, or fractures.

CAUTION:

If there are any irregular conditions of joint sub-assembly components, replace the entire joint sub-assembly.

Sliding Joint Side (Housing)

- Make sure there are compression scars, cracks, fractures or unusual wear of ball rolling surface.
- Make sure there is no damage to shaft screws.
- Make sure there is no deformation of boot installation parts.

Ball Cage

Make sure there are compression scars, cracks, fractures of sliding surface.

Steel Ball

Make sure there are compression scars, cracks, fractures or unusual wear.

Inner Race

- Check ball sliding surface for compression scars, cracks or fractures.
- Make sure there is no damage to serrated part.

REAR DRIVE SHAFT

CAUTION:

If there are any irregular conditions in the component, replace with a new set of housing, ball cage, steel ball and inner race.

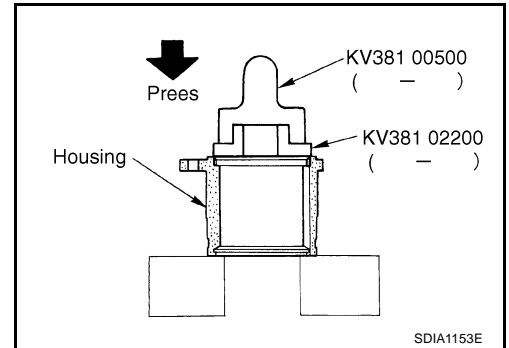
ASSEMBLY

Final Drive Side

1. If plug has been removed, use a drift (SST) to press in a new one.

NOTE:

Discard old plug; replace with new ones.

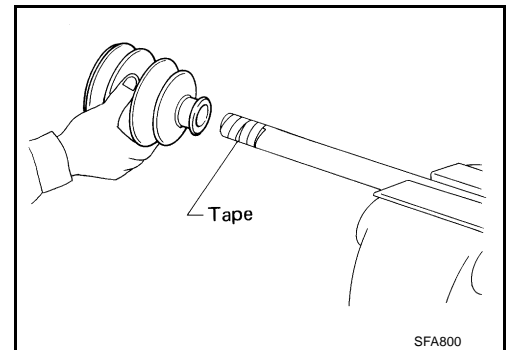


2. Wind serrated part of shaft with tape. Install boot band and boot to shaft. Be careful not to damage boot.

NOTE:

Discard old boot band and boot; replace with new ones.

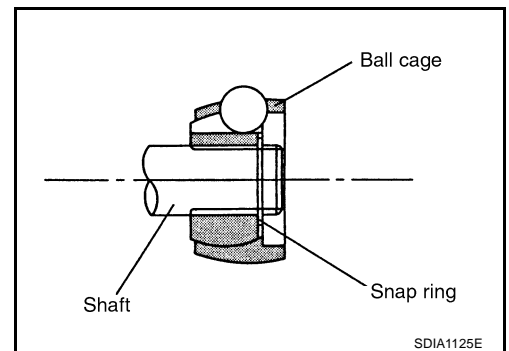
3. Remove protective tape wound around serrated part of shaft.



4. Install ball cage/steel ball/inner race assembly to shaft, and secure them tightly with a snap ring.

NOTE:

Discard old snap ring; with new one.

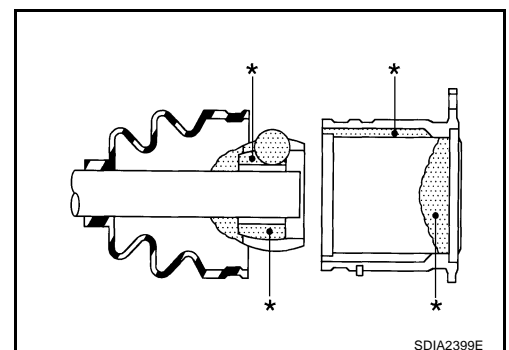


5. Insert the amount grease (NISSAN genuine grease or equivalent) onto housing (* point) to the quantity mentioned below, and install it to shaft.

Reference value

Grease amount : 124 - 134 g (4.37 - 4.73 oz)

6. Install stopper ring to housing.
7. After installed, pull shaft to check engagement between joint sub-assembly and stopper ring.



REAR DRIVE SHAFT

8. Install boot securely into grooves (indicated by * marks) shown in the figure.

CAUTION:

If there is grease on boot mounting surfaces (indicated by * marks) of shaft and housing, boot may come off. Remove all grease from surfaces.

9. Make sure boot installation length "L" is the length indicated below. Insert a flat-bladed screwdriver or similar tool into smaller side of boot. Bleed air from boot to prevent boot deformation.

Standard value

Boot installation length "L" : 93.9 mm (3.697 in)

CAUTION:

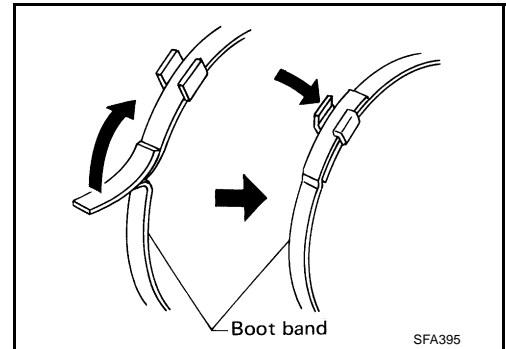
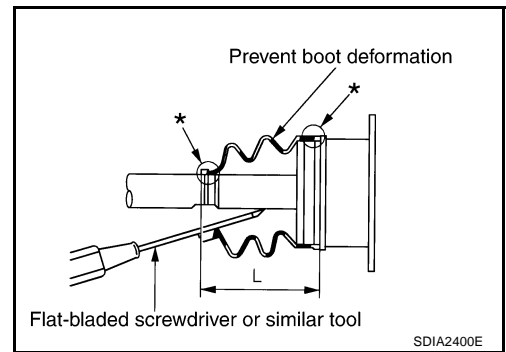
- Boot may break if boot installation length is less than standard value.
- Take care not to touch the tip of screwdriver to inside of boot.

10. Secure big and small ends of boot with new boot bands as shown in the figure.

NOTE:

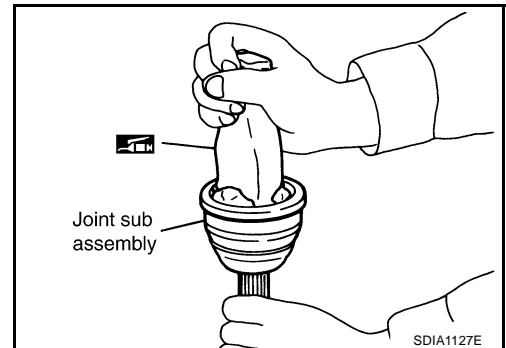
Discard old boot band; replace with new ones.

11. After installing housing and shaft, rotate boot to check whether or not the actual position is correct. If boot position is not correct, secure boot with new boot band again.



Wheel Side

1. Insert the amount grease (NISSAN genuine grease or equivalent) into joint sub-assembly serration hole until grease begins to ooze from ball groove and serration hole. After insert grease, use a shop cloth to wipe off old grease that has oozed out.

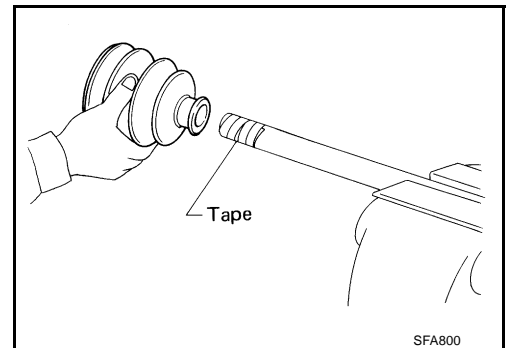


2. Wind serrated part of shaft with tape. Install boot band and boot to shaft. Be careful not to damage boot.

NOTE:

Discard old boot band and boot; replace with each new one.

3. Remove protective tape wound around serrated part of shaft.



REAR DRIVE SHAFT

- Attach circular clip to shaft. At this time, circular clip must fit securely into shaft groove. Attach nut to joint sub-assembly. Use a wooden hammer to press-fit.

NOTE:

Discard old circular clip; replace with a new ones.

- Insert the amount grease (NISSAN genuine grease or equivalent) listed below into housing from large end of boot.

Reference value

Grease amount : 86 - 96 g (3.03 - 3.39 oz)

- Install boot securely into grooves (indicated by * marks) shown in the figure.

CAUTION:

If there is grease on boot mounting surfaces (indicated by * marks) of shaft and housing, boot may come off. Remove all grease from surfaces.

- Make sure boot installation length "L" is the length indicated below. Insert a flat-bladed screwdriver or similar tool into smaller side of boot. Bleed air from boot to prevent boot deformation.

Standard value

Boot installation length "L" : 97 mm (3.82 in)

CAUTION:

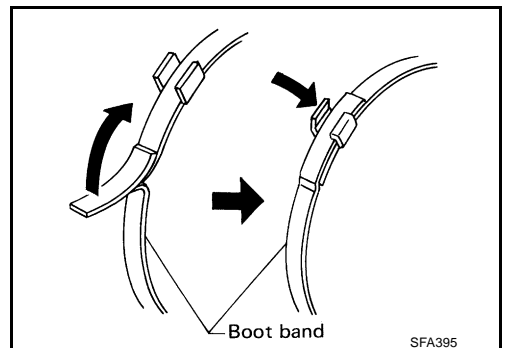
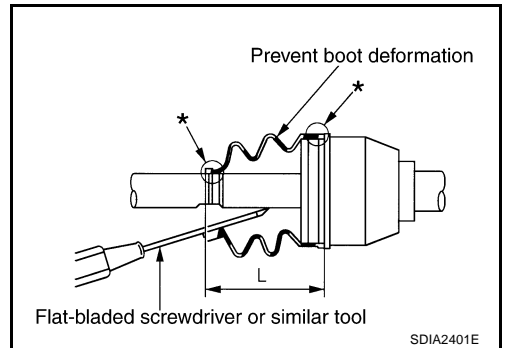
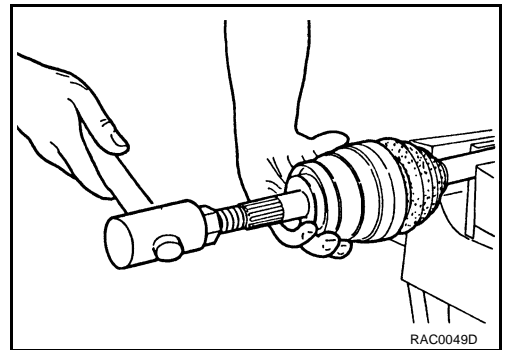
- **Boot may brake if boot installation length is less than standard value.**
- **Be careful that screwdriver tip does not contact inside surface of boot.**

- Secure big and small ends of boot with new boot bands as shown in the figure.

NOTE:

Discard old boot band; replace with new ones.

- After installing joint sub-assembly and shaft, rotate boot to check whether or not the actual position is correct. If boot position is not correct, secure boot with new boot bands again.



A
B
C

RAX

E
F
G

H

I
J
K

L

M

SERVICE DATA AND SPECIFICATIONS (SDS)

SERVICE DATA AND SPECIFICATIONS (SDS)

PFP:00030

Wheel Bearing

NDS000GA

Axial end play	0 mm (0 in)
Rotational torque	At a load of 49,033 N (5,000 kg, 11,000 lb) Less than 1.88 N·m (0.19 kg-m, 17 in-lb)
Measurement of spring balance	Less than 18.5 N (1.89 kg, 4.16 lb)

Drive Shaft

NDS000GB

Joint	Wheel side	Final drive side
Grease quantity	86 – 96 g (3.03 – 3.39 oz)	124 – 134 g (4.37 – 4.73 oz)
Boots installed length	97.0 mm (3.819 in)	93.9 mm (3.697 in)