

SECTION **RSU**
REAR SUSPENSION

A
B
C
D

RSU

CONTENTS

PRECAUTIONS	2	SUSPENSION ARM	11	F
Cautions	2	Removal and Installation	11	
PREPARATION	3	REMOVAL	11	G
Special Service Tools	3	INSPECTION AFTER REMOVAL	11	
Commercial Service Tools	3	INSTALLATION	12	
NOISE, VIBRATION AND HARSHNESS (NVH)		RADIUS ROD	13	H
TROUBLESHOOTING	4	Removal and Installation	13	
NVH Troubleshooting Chart	4	REMOVAL	13	I
REAR SUSPENSION ASSEMBLY	5	INSPECTION AFTER REMOVAL	13	J
On-Vehicle Inspection	5	INSTALLATION	13	
INSPECTION SUSPENSION ARM BALL JOINT		FRONT LOWER LINK	14	K
AXIAL END PLAY	5	Removal and Installation	14	
SHOCK ABSORBER INSPECTION	5	REMOVAL	14	L
Wheel Alignment Inspection	5	INSPECTION AFTER REMOVAL	14	M
DESCRIPTION	5	INSTALLATION	14	
PRELIMINARY INSPECTION	5	REAR LOWER LINK & COIL SPRING	15	
GENERAL INFORMATION AND RECOMMEN-		Removal and Installation	15	
DATIONS	5	REMOVAL	15	
THE ALIGNMENT PROCESS	6	INSPECTION AFTER REMOVAL	15	
CAMBER INSPECTION	6	INSTALLATION	15	
TOE-IN	6	STABILIZER BAR	16	
Components	7	Removal and Installation	16	
Removal and Installation	8	REMOVAL	16	
REMOVAL	8	INSPECTION AFTER REMOVAL	16	
INSTALLATION	8	INSTALLATION	16	
SHOCK ABSORBER	9	REAR SUSPENSION MEMBER	17	
Removal and Installation	9	Removal and Installation	17	
REMOVAL	9	REMOVAL	17	
INSPECTION AFTER REMOVAL	9	INSPECTION AFTER REMOVAL	17	
INSTALLATION	9	INSTALLATION	17	
Disassembly and Assembly	9	SERVICE DATA AND SPECIFICATIONS (SDS)	18	
DISASSEMBLY	9	Wheel Alignment (Unladen*)	18	
INSPECTION AFTER DISASSEMBLY	10	Ball Joint	18	
ASSEMBLY	10	Wheelarch Height (Unladen*)	18	

PRECAUTIONS

PRECAUTIONS

PFP:00001

Cautions

NES0002H

- When installing rubber bushings, final tightening must be carried out under unladen conditions with tires on level ground. Oil will shorten the life of rubber bushings. Be sure to wipe off any spilled oil.
- Unladen conditions means that fuel, engine coolant and lubricant are full. Spare tire, jack, hand tools and mats are in designated positions.
- After servicing suspension parts, be sure to check wheel alignment.
- Caulking nuts are not reusable. Always use new ones when installing. Since new caulking nuts are pre-oiled, tighten as they are.

PREPARATION

PREPARATION

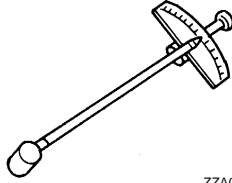
PFP:00002

Special Service Tools

NES0002I

The actual shapes of Kent-Moore tools may differ from those of special service tools illustrated here.

Tool number (Kent-Moore No.) Tool name	Description
ST3127S000 (J-25765-A) Preload gauge	Measuring rotating torque of ball joint

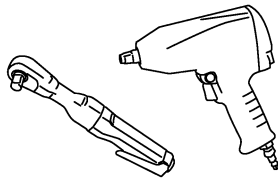


ZZA0806D

Commercial Service Tools

NES0002J

Tool name	Description
Power tool	Loosening bolts and nuts



PBIC0190E

A
B
C
D
RSU
F
G
H
I
J
K
L
M

NOISE, VIBRATION AND HARSHNESS (NVH) TROUBLESHOOTING

NOISE, VIBRATION AND HARSHNESS (NVH) TROUBLESHOOTING

PF0:00003

NVH Troubleshooting Chart

NES0002K

Use chart below to help you find the cause of the symptom. If necessary, repair or replace these parts.

Symptom		REAR SUSPENSION	Possible cause and SUSPECTED PARTS													Reference page			
			Improper installation, looseness	Shock absorber deformation, damage or deflection	Bushing or mounting deterioration	Parts interference	Spring fatigue	Suspension looseness	Incorrect wheel alignment	Stabilizer bar fatigue	PROPELLER SHAFT	DIFFERENTIAL	REAR AXLE AND REAR SUSPENSION	TIRES	ROAD WHEEL		DRIVE SHAFT	BRAKES	STEERING
Noise	REAR SUSPENSION	Noise	x	x	x	x	x	x			x	x	x	x	x	x	x	x	RSU-7
		Shake	x	x	x	x			x			x		x	x	x	x	x	RSU-9
		Vibration	x	x	x	x	x					x		x	x		x		—
		Shimmy	x	x	x	x				x			x	x	x		x	x	—
		Judder	x	x	x								x	x	x		x	x	—
		Poor quality ride or handling	x	x	x	x	x		x	x				x	x	x			
																		FSU-6	
																		RSU-16	
																		NVH in PR section.	
																		NVH in RFD section.	
																		NVH in RAX and RSU sections.	
																		NVH in WT section.	
																		NVH in WT section.	
																		NVH in RAX section.	
																		NVH in BR section.	
																		NVH in PS section.	

x: Applicable

REAR SUSPENSION ASSEMBLY

REAR SUSPENSION ASSEMBLY

PFP:55020

On-Vehicle Inspection

NES0002L

Make sure the mounting conditions (looseness, back lash) of each component and component status (wear, damage) are normal.

INSPECTION SUSPENSION ARM BALL JOINT AXIAL END PLAY

Measure axial end play by placing and moving up/down with an iron pry bar or something similar between suspension arm and axle assembly.

Axial end play : 0 mm (0 in)

CAUTION:

Be careful not to damage ball joint boot.

SHOCK ABSORBER INSPECTION

Check shock absorber for oil leakage, damage and replace if necessary.

Wheel Alignment Inspection

NES000DQ

DESCRIPTION

- Measure wheel alignment under unladen conditions. "Unladen conditions" means that fuel, engine coolant, and lubricant are full. Spare tire, jack, hand tools and mats in designated positions.

PRELIMINARY INSPECTION

- Check tires for improper air pressure and wear.
- Check road wheels for runout.
- Check wheel bearing axial end play.
- Check ball joint axial end play of suspension arm.
- Check shock absorber operation.
- Check each mounting point of axle and suspension for looseness and deformation.
- Check each link, arm and member for cracks, deformation, and other damage.
- Check vehicle posture.

GENERAL INFORMATION AND RECOMMENDATIONS

- A four-wheel thrust alignment should be performed.
 - This type of alignment is recommended for any NISSAN/INFINITI vehicle.
 - The four-wheel "thrust" process helps ensure that the vehicle is properly aligned and the steering wheel is centered.
 - The alignment rack itself should be capable of accepting any NISSAN/INFINITI vehicle.
 - The rack should be checked to ensure that it is level.
- Make sure the machine is properly calibrated.
 - Your alignment equipment should be regularly calibrated in order to give correct information.
 - Check with the manufacturer of your specific equipment for their recommended Service/Calibration Schedule.

REAR SUSPENSION ASSEMBLY

THE ALIGNMENT PROCESS

IMPORTANT:

Use only the alignment specifications listed in this Service Manual.

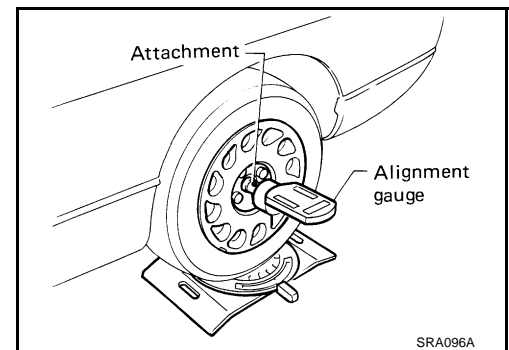
- When displaying the alignment settings, many alignment machines use “indicators”: (Green/red, plus or minus, Go/No Go). **Do not use these indicators.**
- The alignment specifications programmed into your machine that operate these indicators may not be correct.
- This may result in an ERROR.
- Some newer alignment machines are equipped with an optional “Rolling Compensation” method to “compensate” the sensors (alignment targets or head units). **Do not use this “Rolling Compensation” method.**
- Use the “Jacking Compensation Method”. After installing the alignment targets or head units, raise the vehicle and rotate the wheels 1/2 turn both ways.
- See Instructions in the alignment machine you’re using for more information on this.

CAMBER INSPECTION

- Measure camber of both right and left wheels with a suitable alignment gauge and adjust in accordance with the following procedures.

Standard value

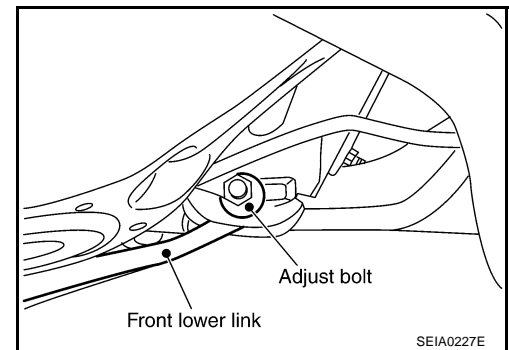
Camber : Refer to [RSU-18, "SERVICE DATA AND SPECIFICATIONS \(SDS\)"](#) .



If outside the standard value, adjust with adjusting bolt in front lower link.

NOTE:

After adjusting camber, be sure to check toe-in.



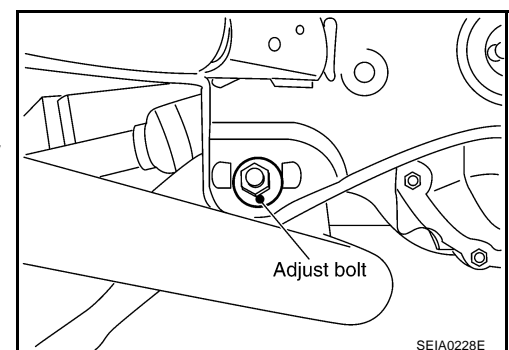
TOE-IN

If toe-in is not within the specification, adjust with adjusting bolt in rear lower link.

CAUTION:

Be sure to adjust equally on RH and LH side with adjusting bolt.

If toe-in is not still within the specification, inspect and replace any damaged or worn rear suspension parts.

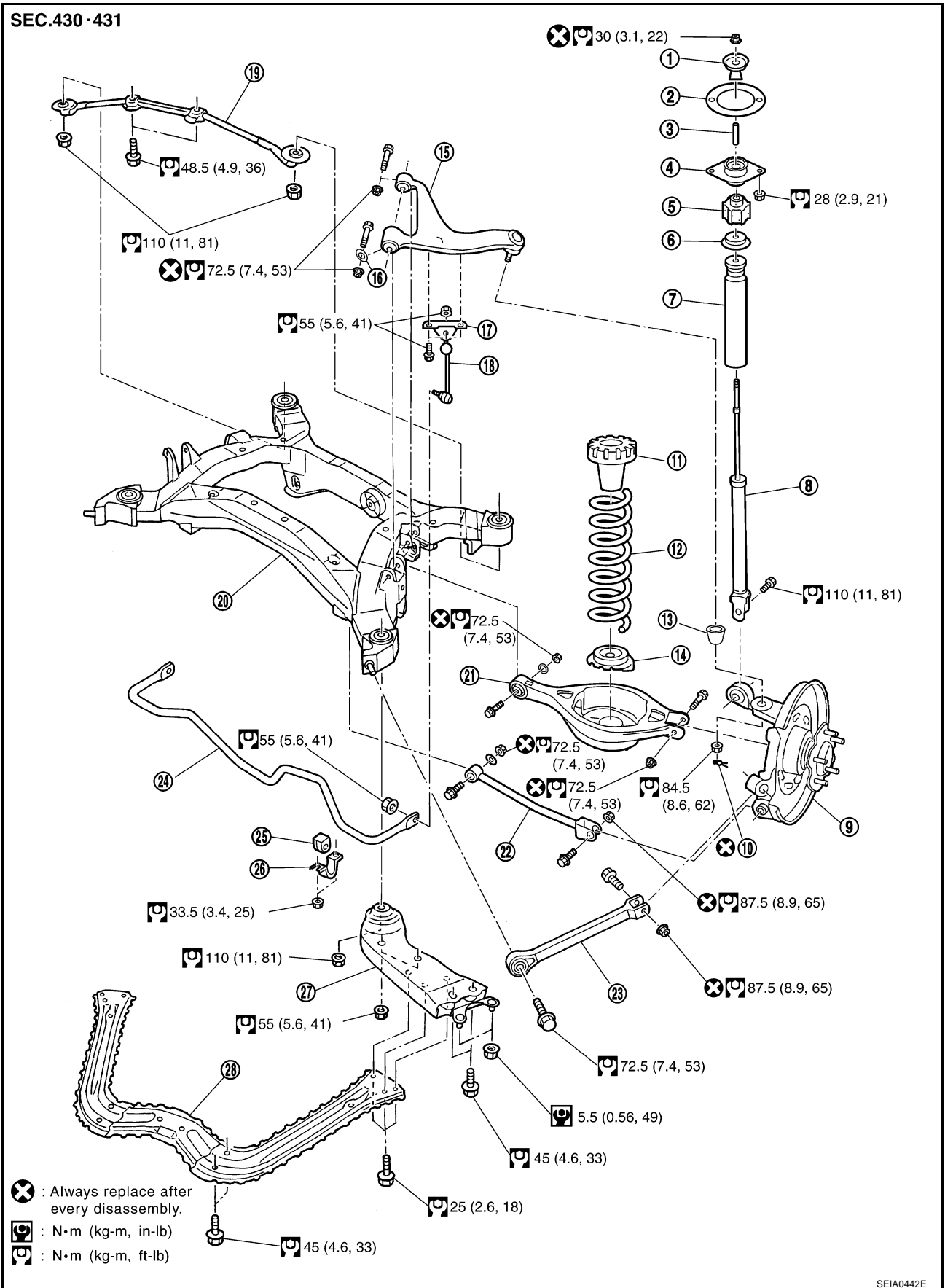


REAR SUSPENSION ASSEMBLY

Components

NES0002N

A
B
C
D
E
F
G
H
I
J
K
L
M



RSU

REAR SUSPENSION ASSEMBLY

- | | | |
|--------------------------|--|-------------------------------|
| 1. Bushing | 2. Mounting seal | 3. Distance tube |
| 4. Mounting seal bracket | 5. Bushing | 6. Bound bumper cover |
| 7. Bound bumper | 8. Shock absorber | 9. Axle |
| 10. Cotter pin | 11. Upper seat | 12. Coil spring |
| 13. Ball seat | 14. Rubber seat | 15. Suspension arm |
| 16. Stopper rubber | 17. Stabilizer connecting rod mounting bracket | 18. Stabilizer connecting rod |
| 19. Rear pin stay | 20. Rear suspension member | 21. Rear lower link |
| 22. Front lower link | 23. Radius rod | 24. Stabilizer bar |
| 25. Stabilizer bushing | 26. Stabilizer clamp | 27. Member stay |
| 28. Tunnel stay | | |

Removal and Installation

NES00020

REMOVAL

1. Remove tires from vehicle with power tool.
2. Remove brake caliper with power tool. Hang it in a place where it will not interfere with work. Refer to [BR-27, "REAR DISC BRAKE"](#) .

NOTE:

Avoid depressing brake pedal while brake caliper is removed.

3. Remove disc rotor. [BR-28, "Removal and Installation of Caliper Assembly"](#) .
4. Remove stabilizer bar. Refer to [RSU-16, "STABILIZER BAR"](#) .
5. Remove exhaust front tube. Refer to [EX-3, "EXHAUST SYSTEM"](#) .
6. Remove propeller shaft. Refer to [PR-4, "REAR PROPELLER SHAFT"](#) .
7. Separate the attachment between parking brake cable and vehicle and rear suspension member. Refer to [PB-6, "PARKING BRAKE CONTROL"](#) .
8. Remove wheel sensor from rear final drive. Refer to [BRC-58, "WHEEL SENSOR"](#) .
9. Remove rear lower link and coil spring. Refer to [RSU-15, "REAR LOWER LINK & COIL SPRING"](#) .
10. Remove mounting nuts in upper side of mounting seal bracket. Refer to [RSU-9, "SHOCK ABSORBER"](#) .
11. Set jack under rear final drive.
12. Remove tunnel stay and member stay from vehicle.
13. Remove mounting bolts and nuts of rear pin stay and then remove rear pin stay from vehicle.
14. Gradually lowering jack, remove rear suspension assembly.

INSTALLATION

- Refer to [RSU-7, "Components"](#) for tightening torque. Install in the reverse order of removal.

NOTE:

Refer to component parts location and do not reuse non-reusable parts.

- Perform final tightening of installation position of links (rubber bushing) under unladen condition with tires on level ground. Check wheel alignment. Refer to [RSU-5, "Wheel Alignment Inspection"](#) .

SHOCK ABSORBER

SHOCK ABSORBER

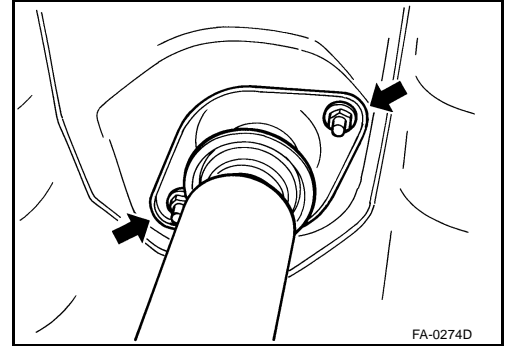
PPF:56210

Removal and Installation

NES0002P

REMOVAL

1. Remove tires from vehicle with power tool.
2. Set jack under rear lower link.
3. Remove mounting bolt in lower side of shock absorber assembly with power tool.
4. Remove mounting seal bracket mounting nuts of shock absorber upper side with power tool and remove shock absorber from vehicle.



INSPECTION AFTER REMOVAL

- Check shock absorber assembly for deformation, cracks, damage, and replace if necessary.
- Check piston rod for damage, uneven wear, distortion, and replace if necessary.
- Check welded and sealed areas for oil leakage, and replace if necessary.

INSTALLATION

- Refer to [RSU-7, "Components"](#) for tightening torque. Install in the reverse order of removal.

NOTE:

Refer to component parts location and do not reuse non-reusable parts.

- Perform final tightening of shock absorber assembly lower side (rubber bushing) under unladen condition with tires on level ground. Check wheel alignment. Refer to [RSU-18, "SERVICE DATA AND SPECIFICATIONS \(SDS\)"](#).

Disassembly and Assembly

DISASSEMBLY

NES0002Q

CAUTION:

Make sure piston rod on shock absorber is not damaged when removing components from shock absorber.

1. Remove mounting seal from mounting seal bracket.
2. Wrap a shop cloth around lower side of shock absorber and fix it in a vise.

CAUTION:

Do not set the cylindrical part of shock absorber in vise.

3. Secure piston rod tip so that piston rod does not turn, and remove piston rod lock nut.
4. Remove bushing (upper side), distance tube, mounting seal bracket, bushing (lower side), bound bumper cover and bound bumper from shock absorber.

SHOCK ABSORBER

INSPECTION AFTER DISASSEMBLY

Bound Bumper and Bushing

Check bound bumper and bushing for cracks, deformation or other damage. Replace if necessary.

ASSEMBLY

Refer to [RSU-7, "Components"](#) for tightening torque. Install in the reverse order of removal.

NOTE:

Refer to component parts location and do not reuse non-reusable parts.

CAUTION:

Make sure piston rod on shock absorber is not damaged when attaching components to shock absorber.

SUSPENSION ARM

SUSPENSION ARM

PFP:55501

Removal and Installation

REMOVAL

1. Remove tires from vehicle with power tool.
2. Remove drive shaft. Refer to [RAX-10, "REAR DRIVE SHAFT"](#).
3. Remove mounting nuts and bolts between suspension arm and rear suspension member.
4. Remove cotter pin of suspension arm ball joint, and loosen nut.
5. Use a ball joint remover (suitable tool) to remove suspension arm from axle. Be careful not to damage ball joint boot.

CAUTION:

Tighten temporarily mounting nut to prevent damage to threads and to prevent ball joint remover (suitable tool) from coming off.

6. Remove suspension arm and stopper rubber from vehicle.

INSPECTION AFTER REMOVAL

Visual Inspection

- Check suspension arm and bushing for deformation, cracks, or damage. If any non-standard condition is found, replace it.
- Check boot of ball joint for cracks, or damage, and also for grease leakage.

Ball Joint Inspection

Manually move ball stud to confirm it moves smoothly with no binding.

Swing Torque Inspection

NOTE:

Before measuring, move ball joint at least 10 times by hand to check for smooth movement.

- Hook a spring balance at cotter pin mounting hole. Confirm spring balance measurement value is within the specifications when ball stud begins moving.

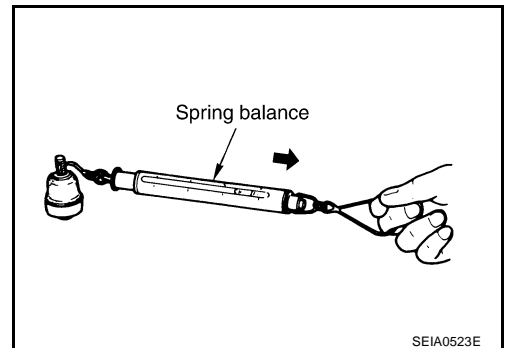
Swing torque:

0.5 - 3.4 N·m (0.06 - 0.34 kg·m, 5 - 30 in-lb)

Measured value of spring balance:

8.06 - 54.8 N (0.83 - 5.5 kg, 1.81 - 12.32 lb)

- If it is outside the specified range, replace suspension arm assembly.



Rotating Torque Inspection

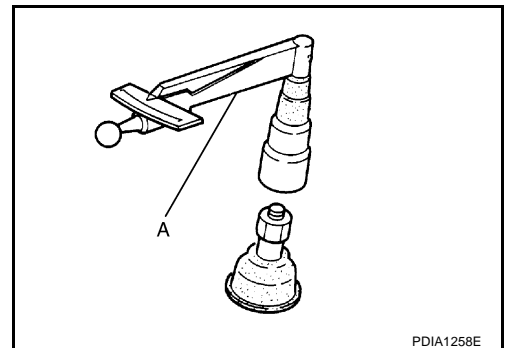
- Attach mounting nut to ball stud. Check that rotating torque is within the specifications with a preload gauge.

Tool number A: ST3127S000 (J-25765-A)

Rotating torque:

0.5 - 3.4 N·m (0.06 - 0.34 kg·m, 5 - 30 in-lb)

- If it is outside the specified range, replace suspension arm assembly.



SUSPENSION ARM

Axial End Play Inspection

- Move tip of ball joint in axial direction to check for looseness.

Axial end play : 0 mm (0 in)

- If it is outside the specified range, replace suspension arm assembly.

INSTALLATION

- Refer to [RSU-7, "Components"](#) for tightening torque. Install in the reverse order of removal.

NOTE:

Refer to component parts location and do not reuse non-reusable parts.

- Perform final tightening of rear suspension member installation position (rubber bushing) under unladen condition with tires on level ground. Check wheel alignment. Refer to [RSU-18, "SERVICE DATA AND SPECIFICATIONS \(SDS\)"](#).

RADIUS ROD

RADIUS ROD

PFP:55110

Removal and Installation

NES0002S

REMOVAL

1. Remove tires from vehicle with power tool.
2. Remove brake caliper with power tool. Hang it in a place where it will not interfere with work. Refer to [BR-27, "REAR DISC BRAKE"](#).

NOTE:

Avoid depressing brake pedal while brake caliper is removed.

3. Remove mounting bolt and nut in axle side of radius rod with power tool.
4. Remove rear lower link and coil spring. Refer to [RSU-15, "REAR LOWER LINK & COIL SPRING"](#).
5. Remove mounting bolt in lower side of shock absorber with power tool. Refer to [RSU-9, "SHOCK ABSORBER"](#).
6. Remove mounting bolt and nut in axle side of front lower link with power tool. Refer to [RSU-14, "FRONT LOWER LINK"](#).
7. Remove mounting bolt in rear suspension member side of radius rod with power tool, then remove radius rod from vehicle.

INSPECTION AFTER REMOVAL

Check radius rod and bushing for any deformation, cracks, or damage. Replace if necessary.

INSTALLATION

- Refer to [RSU-7, "Components"](#) for tightening torque. Install in the reverse order of removal.

NOTE:

Refer to component parts location and do not reuse non-reusable parts.

- Perform final tightening of rear suspension member and axle installation position (rubber bushing) under unladen condition with tires on level ground. Check wheel alignment. Refer to [RSU-18, "SERVICE DATA AND SPECIFICATIONS \(SDS\)"](#).

FRONT LOWER LINK

FRONT LOWER LINK

PFP:55110

Removal and Installation

NES0002T

REMOVAL

1. Remove tires from vehicle with power tool.
2. Set jack under rear lower link.
3. Remove mounting nut and bolt between front lower link and rear suspension member with power tool.
4. Remove mounting nut and bolt between front lower link and axle with power tool.
5. Remove front lower link from vehicle.

INSPECTION AFTER REMOVAL

Check front lower link and bushing for any deformation, cracks, or damage. Replace if necessary.

INSTALLATION

- Refer to [RSU-7, "Components"](#) for tightening torque. Install in the reverse order of removal.

NOTE:

Refer to component parts location and do not reuse non-reusable parts.

- Perform final tightening of rear suspension member and axle installation position (rubber bushing) under unladen condition with tires on level ground. Check wheel alignment. Refer to [RSU-18, "SERVICE DATA AND SPECIFICATIONS \(SDS\)"](#) .

REAR LOWER LINK & COIL SPRING

REAR LOWER LINK & COIL SPRING

PFP:551B0

Removal and Installation

NES0002U

REMOVAL

1. Remove tires from vehicle with power tool.
2. Set jack under rear lower link.
3. Loosen mounting bolt and nut of rear lower link in side of suspension member, and then remove mounting bolt and nut in side of axle with power tool.
4. Slowly lower jack, then remove upper seat, coil spring and rubber sheet from rear lower link.
5. Remove mounting bolt and nut in side of rear suspension member to remove rear lower link with power tool.

INSPECTION AFTER REMOVAL

Check rear lower link, bushing and coil spring for deformation, cracks, and damage. Replace rear lower link and coil spring if necessary.

INSTALLATION

- Refer to [RSU-7, "Components"](#) for tightening torque. Install in the reverse order of removal.

NOTE:

Refer to component parts location and do not reuse non-reusable parts.

- Check that upper seat is attached as shown in the figure.

NOTE:

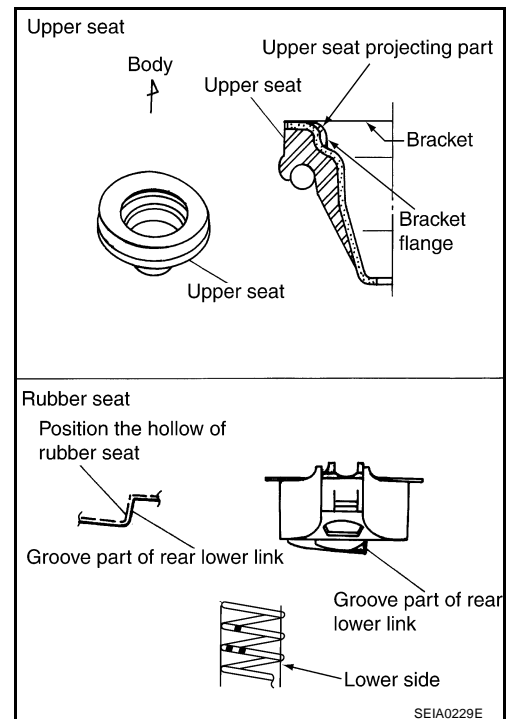
Insert bracket tabs (3) and the inside protrusion on upper seat into each other beforehand as shown in the figure.

- Match up rubber seat indentions and rear lower link grooves and attach.

NOTE:

Make sure spring is not up side down. The top and bottom are indicated by paint color.

- Perform final tightening of rear suspension member and axle installation position (rubber bushing) under unladen condition with tires on level ground. Check wheel alignment. Refer to [RSU-5, "Wheel Alignment Inspection"](#).



STABILIZER BAR

STABILIZER BAR

PFP:56230

Removal and Installation

NES0002V

REMOVAL

1. Remove mounting bolts and remove stabilizer connecting rod mount bracket from suspension arm.
2. Remove lower side mounting nut on stabilizer connecting rod and remove stabilizer connecting rod from stabilizer bar with power tool.
3. Remove mounting nut on stabilizer clamp and remove stabilizer from vehicle with power tool.

INSPECTION AFTER REMOVAL

Check stabilizer bar, stabilizer bushings, stabilizer clamps, stabilizer connecting rod, stabilizer connecting rod mounting bracket for any deformation, crack or damage. Replace if necessary.

INSTALLATION

- Refer to [RSU-7, "Components"](#) for tightening torque. Install in the reverse order of removal.

NOTE:

Refer to component parts location and do not reuse non-reusable parts.

REAR SUSPENSION MEMBER

REAR SUSPENSION MEMBER

PFP:55501

Removal and Installation

NES0002W

REMOVAL

1. Remove tires from vehicle with power tool.
2. Remove brake caliper with power tool. Hang it in a place where it will not interfere with work. Refer to [BR-27, "REAR DISC BRAKE"](#).

NOTE:

Avoid depressing brake pedal while brake caliper is removed.

3. Remove exhaust front tube. Refer to [EX-3, "EXHAUST SYSTEM"](#).
4. Remove stabilizer bar. Refer to [RSU-16, "STABILIZER BAR"](#).
5. Remove drive shaft. Refer to [RAX-10, "REAR DRIVE SHAFT"](#).
6. Remove final drive. Refer to [RFD-17, "REAR FINAL DRIVE ASSEMBLY"](#).
7. Separate the attachment between parking brake cable and vehicle and rear suspension member. Refer to [PB-6, "PARKING BRAKE CONTROL"](#).
8. Remove rear lower link and coil spring. Refer to [RSU-15, "REAR LOWER LINK & COIL SPRING"](#).
9. Remove mounting bolt in lower side of shock absorber. Refer to [RSU-9, "SHOCK ABSORBER"](#).
10. Set jack under rear suspension member.
11. Remove mounting bolts and nuts tunnel stay and member stay from vehicle.
12. Remove mounting bolts and nuts of rear pin stay and then remove rear pin stay from vehicle.
13. Slowly lowering jack, then remove rear suspension member, suspension arm, radius rod, front lower link and axle from vehicle as a unit.
14. Remove mounting bolts and nuts, then remove suspension arm, front lower link, radius rod from rear suspension member.

INSPECTION AFTER REMOVAL

Check rear suspension member for deformation, cracks, and other damage and replace if necessary.

INSTALLATION

- Refer to [RSU-7, "Components"](#), for tightening torque. Install in the reverse order of removal.

NOTE:

Refer to component parts location and do not reuse non-reusable parts.

- Perform final tightening of installation position of links (rubber bushing) under unladen condition with tires on level ground. Check wheel alignment. Refer to [RSU-18, "SERVICE DATA AND SPECIFICATIONS \(SDS\)"](#).

SERVICE DATA AND SPECIFICATIONS (SDS)

SERVICE DATA AND SPECIFICATIONS (SDS)

PFP:00030

Wheel Alignment (Unladen*)

NES000A5

Camber Degree minute (Decimal degree)		Minimum	-1°45' (-1.75°)
		Nominal	-1°15' (-1.25°)
		Maximum	-0°45' (-0.75°)
Total toe-in	Distance	Minimum	0.1 mm (0.004 in)
		Nominal	2.8 mm (0.110 in)
		Maximum	5.5 mm (0.217 in)
	Angle (left wheel or right wheel) Degree minute (Decimal degree)	Minimum	0°00' (0.00°)
		Nominal	0°07' (0.12°)
		Maximum	0°14' (0.23°)

*: Fuel, engine coolant and lubricant are full. Spare tire, jack, hand tools and mats are in designated positions.

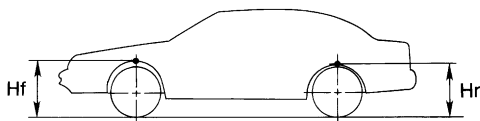
Ball Joint

NES000A6

Axial end play	0 mm (0 in)
Swing torque	0.5 - 3.4 N·m (0.06 - 0.34 kg-m, 5 - 30 in-lb)
Measurement on spring balance (cotter pinhole position)	8.06 - 54.8 N (0.83 - 5.5 kg, 1.81 - 12.32 lb)
Rotating torque	0.5 - 3.4 N·m (0.06 - 0.34 kg-m, 5 - 30 in-lb)

Wheelarch Height (Unladen*)

NES000A7



SFA818A

Applied model	225/50R17 (Front) 235/50R17 (Rear)	225/45R18 (Front) 245/45R18 (Rear)	225/40R19 (Front) 245/40R19 (Rear)
Front (Hf)	691 mm (27.20 in)	694 mm (27.32 in)	699 mm (27.52 in)
Rear (Hr)	702 mm (27.64 in)	710 mm (27.95 in)	

*: Fuel, engine coolant and lubricant are full. Spare tire, jack, hand tools and mats are in designated positions.