

LT
SECTION
LIGHTING SYSTEM

A
B
C
D
E
F
G
H
I
J
LT
L
M

CONTENTS

<p>PRECAUTIONS 5</p> <p> Precautions for Supplemental Restraint System (SRS) "AIR BAG" and "SEAT BELT PRE-TENSIONER" 5</p> <p> General Precautions for Service Operations 5</p> <p> Wiring Diagrams and Trouble Diagnosis 6</p> <p>HEADLAMP (FOR USA) 7</p> <p> Component Parts and Harness Connector Location... 7</p> <p> System Description 7</p> <p> OUTLINE 7</p> <p> COMBINATION SWITCH READING FUNCTION... 9</p> <p> EXTERIOR LAMP BATTERY SAVER CONTROL... 9</p> <p> AUTO LIGHT OPERATION (IF EQUIPPED) 9</p> <p> VEHICLE SECURITY SYSTEM 9</p> <p> XENON HEADLAMP 9</p> <p> CAN Communication System Description 10</p> <p> CAN Communication Unit 10</p> <p> Schematic 11</p> <p> Wiring Diagram — H/LAMP — 12</p> <p> Terminals and Reference Values for BCM 16</p> <p> Terminals and Reference Values for IPDM E/R 17</p> <p> How to Proceed With Trouble Diagnosis 17</p> <p> Preliminary Check 18</p> <p> CHECK POWER SUPPLY AND GROUND CIRCUIT 18</p> <p> CONSULT-II Functions (BCM) 19</p> <p> CONSULT-II BASIC OPERATION 19</p> <p> WORK SUPPORT 20</p> <p> DATA MONITOR 20</p> <p> ACTIVE TEST 21</p> <p> CONSULT-II Functions (IPDM E/R) 22</p> <p> CONSULT-II OPERATION 22</p> <p> DATA MONITOR 23</p> <p> ACTIVE TEST 23</p> <p> SELF-DIAGNOSTIC RESULTS 23</p> <p> Headlamp HI Does Not Illuminate (Both Sides) 24</p> <p> Headlamp HI Does Not Illuminate (One Side) 26</p> <p> High Beam Indicator Lamp Does Not Illuminate ... 27</p> <p> Headlamp Low Beam Does Not Illuminate (Both Sides) 27</p>	<p> Headlamp Low Beam Does Not Illuminate (One Side) 30</p> <p> Headlamps Do Not Turn OFF 31</p> <p> CAUTION: 33</p> <p> Xenon Headlamp Trouble Diagnosis 33</p> <p> Aiming Adjustment 34</p> <p> PREPARATION BEFORE ADJUSTING 34</p> <p> LOW BEAM AND HIGH BEAM 34</p> <p> ADJUSTMENT USING AN ADJUSTMENT SCREEN (LIGHT/DARK BORDERLINE) 35</p> <p> Bulb Replacement 35</p> <p> HEADLAMP (UPPER) LOW BEAM (XENON) ... 35</p> <p> HEADLAMP (UPPER) LOW BEAM (HALOGEN).. 35</p> <p> HEADLAMP (LOWER) HIGH BEAM/FOG LAMP.. 36</p> <p> PARKING LAMPS (CLEARANCE LAMPS) 36</p> <p> FRONT TURN SIGNAL LAMP 36</p> <p> Removal and Installation 36</p> <p> REMOVAL 36</p> <p> INSTALLATION 37</p> <p> Disassembly 37</p> <p> Assembly 38</p> <p> Servicing to Replace Headlamps When Damaged.. 38</p> <p> REMOVAL AND INSTALLATION 38</p> <p>HEADLAMP (FOR CANADA) - DAYTIME LIGHT SYSTEM - 39</p> <p> Component Parts and Harness Connector Location.. 39</p> <p> System Description 39</p> <p> HEADLAMP OPERATION 40</p> <p> COMBINATION SWITCH READING FUNCTION.. 41</p> <p> EXTERIOR LAMP BATTERY SAVER CONTROL.. 41</p> <p> AUTO LIGHT OPERATION (IF EQUIPPED) 41</p> <p> DAYTIME LIGHT OPERATION 42</p> <p> OPERATION 42</p> <p> XENON HEADLAMP 42</p> <p> CAN Communication System Description 43</p> <p> CAN Communication Unit 43</p> <p> Schematic 44</p> <p> Wiring Diagram — DTRL — 45</p> <p> Terminals and Reference Value for Daytime Light Control Unit 51</p>
--	--

Terminals and Reference Values for BCM	52	Optical sensor System Inspection	88
Terminals and Reference Values for IPDM E/R	53	Removal and Installation for Optical Sensor	89
How to Proceed With Trouble Diagnosis	53	REMOVAL	89
Preliminary Check	54	INSTALLATION	89
CHECK POWER SUPPLY AND GROUND CIR- CUIT	54	FRONT FOG LAMP	90
CONSULT-II Functions (BCM)	55	Component Parts and Harness Connector Location ..	90
CONSULT-II BASIC OPERATION	55	System Description	90
WORK SUPPORT	56	OUTLINE	90
DATA MONITOR	56	COMBINATION SWITCH READING FUNCTION ..	91
ACTIVE TEST	57	EXTERIOR LAMP BATTERY SAVER CONTROL ..	92
CONSULT-II Functions (IPDM E/R)	58	CAN Communication System Description	92
CONSULT-II OPERATION	58	CAN Communication Unit	92
DATA MONITOR	59	Wiring Diagram — F/FOG —	93
ACTIVE TEST	59	USA MODELS	93
SELF-DIAGNOSTIC RESULTS	59	CANADA MODELS	95
Daytime Light Control Does Not Operate Properly ..	60	Terminals and Reference Values for BCM	97
Headlamp HI Does Not Illuminate (Both Sides)	62	Terminals and Reference Values for IPDM E/R	98
RH HI Does Not Illuminate But RH LO Illuminates ..	64	How to Proceed With Trouble Diagnosis	98
LH HI Does Not Illuminate But LH LO Illuminates ..	66	Preliminary Check	98
Headlamp Low Beam Does Not Illuminate (Both Sides)	68	CHECK POWER SUPPLY AND GROUND CIR- CUIT	98
RH LO Does Not Illuminate But RH HI Illuminates ..	70	CONSULT-II Functions	99
LH LO Does Not Illuminate But LH HI Illuminates ..	71	Front Fog lamps Does Not Illuminate (Both Sides) (FOR USA)	100
Aiming Adjustment	71	Front Fog Lamp Does Not Illuminate (One Side) (FOR USA)	102
Bulb Replacement	71	Front Fog lamps Does Not Illuminate (Both Sides) (FOR CANADA)	103
Removal and Installation	71	LH Front Fog Lamp Does Not Illuminate (FOR CAN- ADA)	104
Disassembly and Assembly	71	RH Front Fog Lamp Does Not Illuminate (FOR CAN- ADA)	106
AUTO LIGHT SYSTEM	72	Bulb Replacement	107
Component Parts and Harness Connector Location ..	72	TURN SIGNAL AND HAZARD WARNING LAMPS. 108	
System Description	72	Component Parts and Harness Connector Location ..	108
OUTLINE	72	System Description	108
COMBINATION SWITCH READING FUNCTION ..	73	TURN SIGNAL OPERATION	108
EXTERIOR LAMP BATTERY SAVER CONTROL ..	73	HAZARD LAMP OPERATION	109
SHUT OFF DELAY	73	REMOTE KEYLESS ENTRY SYSTEM OPERA- TION	109
CAN Communication System Description	73	COMBINATION SWITCH READING FUNCTION ..	110
CAN Communication Unit	73	CAN Communication System Description	110
Major Components and Functions	73	CAN Communication Unit	110
Schematic	74	Schematic	111
Wiring Diagram — AUTO/L —	75	Wiring Diagram — TURN —	112
Terminals and Reference Values for BCM	78	Terminals and Reference Values for BCM	115
Terminals and Reference Values for IPDM E/R	79	How to Proceed With Trouble Diagnosis	116
How to Proceed With Trouble Diagnosis	80	Preliminary Check	117
Preliminary Check	80	CHECK POWER SUPPLY AND GROUND CIR- CUIT	117
SETTING CHANGE FUNCTIONS	80	CONSULT-II Functions	119
CHECK POWER SUPPLY AND GROUND CIR- CUIT	80	CONSULT-II BASIC OPERATION	119
CONSULT-II Functions (BCM)	81	DATA MONITOR	120
CONSULT-II BASIC OPERATION	82	ACTIVE TEST	120
WORK SUPPORT	82	Turn Signal Lamp Does Not Operate	120
DATA MONITOR	83	Hazard Warning Lamp Does Not Operate But Turn Signal Lamp Operate	122
ACTIVE TEST	84	Turn Signal Indicator Lamp Does Not Operate	123
CONSULT-II Functions (IPDM E/R)	85	Bulb Replacement (Front Turn Signal Lamp)	123
CONSULT-II OPERATION	85		
DATA MONITOR	86		
ACTIVE TEST	86		
SELF-DIAGNOSTIC RESULTS	86		
Trouble Diagnosis Chart by Symptom	87		
Lighting Switch Inspection	87		

Bulb Replacement (Rear Turn Signal Lamp)	123	Terminals and Reference Values for IPDM E/R ...	147
Removal and Installation of Front Turn Signal Lamp	123	How to Proceed With Trouble Diagnosis	147
Removal and Installation of Rear Turn Signal Lamp	123	Preliminary Check	147
LIGHTING AND TURN SIGNAL SWITCH	124	CHECK POWER SUPPLY AND GROUND CIRCUIT	147
Removal and Installation	124	CONSULT-II Functions	148
REMOVAL	124	Parking, License Plate and Tail Lamps Do Not Illuminate	149
INSTALLATION	124	Parking, License Plate and Tail Lamps Do Not Turn OFF (After Approx. 10 Minutes)	154
HAZARD SWITCH	125	Bulb Replacement	154
Removal and Installation (M/T)	125	FRONT SIDE MARKER LAMP	154
REMOVAL	125	LICENSE PLATE LAMP	154
INSTALLATION	125	FRONT TURN SIGNAL (PARKING) LAMP	154
Removal and Installation (A/T)	125	TAIL LAMP	154
REMOVAL	125	Removal and Installation	154
INSTALLATION	125	FRONT SIDE MARKER LAMP	154
COMBINATION SWITCH	126	LICENSE PLATE LAMP	155
Wiring Diagram — COMBSW —	126	FRONT TURN SIGNAL (PARKING) LAMP	155
Combination Switch Reading Function	127	TAIL LAMP	155
CONSULT-II Function	127	REAR COMBINATION LAMP	156
CONSULT-II BASIC OPERATION	127	Bulb Replacement	156
DATA MONITOR	128	REAR FENDER SIDE (REAR TURN SIGNAL LAMP BULB)	156
Combination Switch Inspection	129	TRUNK LID SIDE (BACK-UP LAMP)	156
Removal and Installation	131	Removal and Installation	156
STOP LAMP	132	REMOVAL	156
Component Parts and Harness Connector Location	132	INSTALLATION	157
System Description	132	VANITY MIRROR LAMP	158
Wiring Diagram — STOP/L —	133	Bulb Replacement	158
Bulb Replacement of High-mounted Stop Lamp .	134	MAP LAMP	159
WITH REAR SPOILER	134	Bulb Replacement of Map Lamp	159
WITHOUT REAR SPOILER	134	Removal and Installation of Map Lamp	159
Bulb Replacement of Rear Combination Lamp (Stop Lamp)	134	REMOVAL	159
Removal and Installation of High-mounted Stop Lamp	134	INSTALLATION	159
REMOVAL (WITH REAR SPOILER)	134	TRUNK ROOM LAMP	160
INSTALLATION	134	Bulb Replacement, Removal and Installation of Trunk Room Lamp	160
REMOVAL (WITHOUT REAR SPOILER)	134	PERSONAL LAMP	161
INSTALLATION	134	Bulb Replacement	161
Removal and Installation of Rear Combination Lamp (Stop Lamp)	134	Removal and Installation	161
STEP LAMP	135	REMOVAL	161
Bulb Replacement	135	INSTALLATION	161
Removal and Installation	135	IGNITION KEY HOLE ILLUMINATION	162
REMOVAL	135	Removal and Installation	162
INSTALLATION	135	REMOVAL	162
BACK-UP LAMP	136	INSTALLATION	162
Wiring Diagram — BACK/L —	136	GLOVE BOX LAMP	163
Bulb Replacement	138	Removal and Installation	163
Removal and Installation	138	REMOVAL	163
PARKING, LICENSE PLATE AND TAIL LAMPS ..	139	INSTALLATION	163
Component Parts and Harness Connector Location	139	ASHTRAY ILLUMINATION	164
System Description	139	Bulb Replacement, Removal and Installation (M/T)	164
OPERATION BY LIGHTING SWITCH	140	Bulb Replacement, Removal and Installation (A/T)	164
COMBINATION SWITCH READING FUNCTION	140	CIGARETTE LIGHTER ILLUMINATION	165
EXTERIOR LAMP BATTERY SAVER CONTROL	140	Removal and Installation	165
CAN Communication System Description	141	INTERIOR ROOM LAMP	166
CAN Communication Unit	141	Component Parts and Harness Connector Location	166
Schematic	142	System Description	166
Wiring Diagram — TAIL/L —	143		
Terminals and Reference Values for BCM	146		

A
B
C
D
E
F
G
H
I
J
LT
L
M

POWER SUPPLY AND GROUND	166	All Interior Room Lamps Does Not Operate	186
SWITCH OPERATION	167	Bulb Replacement	186
ROOM LAMP TIMER OPERATION	168	MAP LAMP	186
INTERIOR LAMP BATTERY SAVER CONTROL	169	Removal and Installation	186
Schematic	170	MAP LAMP	186
Wiring Diagram — ROOM/L —	172	ILLUMINATION	187
Terminals and Reference Values for BCM	177	System Description	187
How to Proceed With Trouble Diagnosis	178	ILLUMINATION OPERATION BY LIGHTING	
Preliminary Check	178	SWITCH	187
CHECK POWER SUPPLY AND GROUND CIR-		EXTERIOR LAMP BATTERY SAVER CONTROL	188
CUIT	178	CAN Communication System Description	188
CONSULT-II Functions	179	CAN Communication Unit	188
CONSULT-II BASIC OPERATION	179	Schematic	189
WORK SUPPORT	180	Wiring Diagram — ILL —	191
DATA MONITOR	180	Removal and Installation	198
ACTIVE TEST	181	GLOVE BOX LAMP	198
Map Lamp Control Does Not Operate	182	BULB SPECIFICATIONS	199
Ignition key Hole illumination Control Does Not		Headlamp	199
Operate	183	Exterior Lamp	199
All Step Lamps Does Not Operate	185	Interior Lamp/Illumination	199

PRECAUTIONS

PRECAUTIONS

PPF:00011

Precautions for Supplemental Restraint System (SRS) “AIR BAG” and “SEAT BELT PRE-TENSIONER”

AKS008YH

The Supplemental Restraint System such as “AIR BAG” and “SEAT BELT PRE-TENSIONER”, used along with a front seat belt, helps to reduce the risk or severity of injury to the driver and front passenger for certain types of collision. This system includes seat belt switch inputs and dual stage front air bag modules. The SRS system uses the seat belt switches to determine the front air bag deployment, and may only deploy one front air bag, depending on the severity of a collision and whether the front occupants are belted or unbelted. Information necessary to service the system safely is included in the SRS and SB section of this Service Manual.

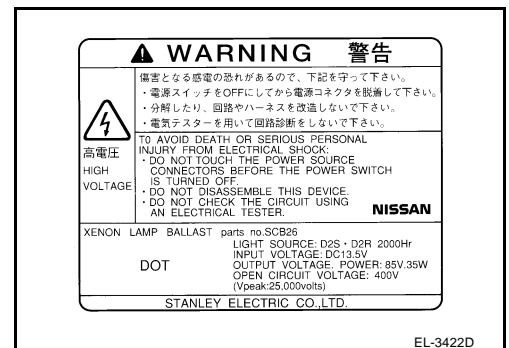
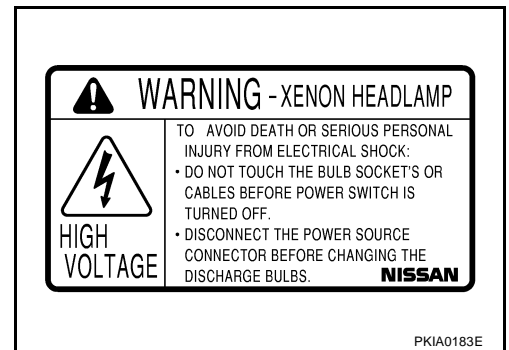
WARNING:

- To avoid rendering the SRS inoperative, which could increase the risk of personal injury or death in the event of a collision which would result in air bag inflation, all maintenance must be performed by an authorized NISSAN/INFINITI dealer.
- Improper maintenance, including incorrect removal and installation of the SRS, can lead to personal injury caused by unintentional activation of the system. For removal of Spiral Cable and Air Bag Module, see the SRS section.
- Do not use electrical test equipment on any circuit related to the SRS unless instructed to in this Service Manual. SRS wiring harnesses can be identified by yellow and/or orange harnesses or harness connectors.

General Precautions for Service Operations

AKS0005S

- Never work with wet hands.
- Xenon headlamp includes high voltage generating part. Be sure to disconnect battery negative cable (negative terminal) or power fuse before removing, installing, or touching the xenon headlamp (including lamp bulb).
- Turn the lighting switch OFF before disconnecting and connecting the connector.
- When turning the xenon headlamp on and while it is illuminated, never touch the harness, bulb, and socket of the headlamp.
- When checking the headlamp on/off operation, check it on vehicle and with the power connected to the vehicle-side connector.
- Do not touch the headlamp bulb glass surface with bare hands or allow oil or grease to get on it. Do not touch the headlamp bulb just after the headlamp is turned off, because it is very hot.
- Install the xenon headlamp bulb socket correctly. If it is installed improperly, high-voltage leak or corona discharge may occur that can melt the bulb, connector, and housing. Do not illuminate the xenon headlamp bulb out of the headlamp housing. Doing so can cause fire and harm your eyes.
- When the bulb has burned out, wrap it in a thick vinyl bag and discard. Do not break the bulb.
- Leaving the bulb removed from the headlamp housing for a long period of time can deteriorate the performance of the lens and reflector (dirt, clouding). Always prepare a new bulb and have it on hand when replacing the bulb.
- When adjusting the headlamp aiming, turn the aiming adjustment screw only in the tightening direction. (If it is necessary to loosen the screw, first fully loosen the screw, and then turn it in the tightening direction.)
- Do not use organic solvent (paint thinner or gasoline) to clean lamps and to remove old sealant.



PRECAUTIONS

AKS0005T

Wiring Diagrams and Trouble Diagnosis

When you read wiring diagrams, refer to the following:

- Refer to [GI-14, "How to Read Wiring Diagrams"](#) in GI section.
- Refer to [PG-3, "POWER SUPPLY ROUTING CIRCUIT"](#) for power distribution in PG section.

When you perform trouble diagnosis, refer to the following:

- Refer to [GI-10, "HOW TO FOLLOW TEST GROUPS IN TROUBLE DIAGNOSES"](#) in GI section.
- Refer to [GI-26, "How to Perform Efficient Diagnosis for an Electrical Incident"](#) in GI section.

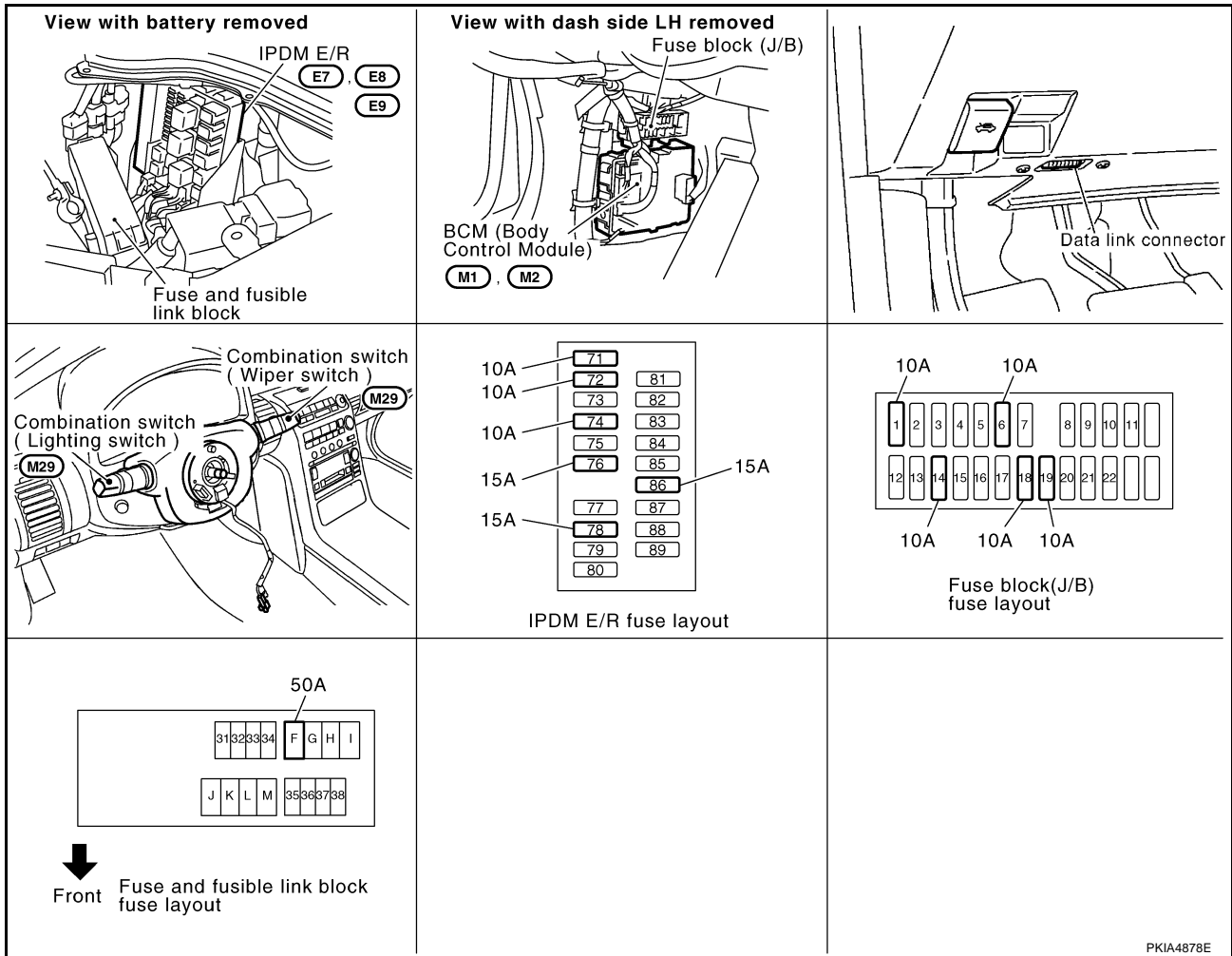
HEADLAMP (FOR USA)

HEADLAMP (FOR USA)

PPF:26010

Component Parts and Harness Connector Location

AKS0091E



System Description

AKS0091F

Control of the headlamp system operation is dependent upon the position of the combination switch (lighting switch). When the lighting switch is placed in the 2ND position, the BCM (body control module) receives input signal requesting the headlamps (and tail lamps) illuminate. This input signal is communicated to the IPDM E/R (intelligent power distribution module engine room) across the CAN communication lines. The CPU (central processing unit) of the IPDM E/R (intelligent power distribution module engine room) controls the headlamp high and headlamp low relay coils. These relays, when energized, direct power to the respective headlamps, which then illuminate.

OUTLINE

Power is supplied at all times

- to headlamp high relay [located in IPDM E/R (intelligent power distribution module engine room)] and
- to headlamp low relay [located in IPDM E/R (intelligent power distribution module engine room)] and
- through 10A fuse [No. 71, located in IPDM E/R (intelligent power distribution module engine room)]
- to CPU (central processing unit) [located in IPDM E/R (intelligent power distribution module engine room)]
- through 15A fuse [No. 78, located in IPDM E/R (intelligent power distribution module engine room)]
- to CPU (central processing unit) [located in IPDM E/R (intelligent power distribution module engine room)]
- through 50A fusible link (letter F, located in fuse and fusible link block)
- to BCM (body control module) terminal 55
- through 10A fuse [No. 18, located in fuse block (J/B)]
- to BCM (body control module) terminal 42

HEADLAMP (FOR USA)

- through 10A fuse [No. 19, located in fuse block (J/B)]
- to combination meter terminal 43.

With the ignition switch in the ON or START position, power is supplied

- through 10A fuse [No. 1, located in fuse block (J/B)]
- to BCM (body control module) terminal 38
- through 10A fuse [No. 14, located in fuse block (J/B)]
- to combination meter terminals 41 and 42.

With the ignition switch in the ACC or ON position, power is supplied

- through 10A fuse [No. 6, located in fuse block (J/B)]
- to BCM (body control module) terminal 11.

Ground is supplied

- to BCM (body control module) terminal 52
- through grounds M30 and M66
- to IPDM E/R (intelligent power distribution module engine room) terminals 38 and 60
- through grounds E17 and E43
- to combination meter terminals 45 and 46
- through grounds M30 and M66.

Low Beam Operation

With the lighting switch in 2ND position, the BCM receives input signal requesting the headlamps to illuminate. This input signal is communicated to the IPDM E/R across the CAN communication lines. The CPU in the IPDM E/R controls the headlamp low relay coil, which when energized, directs power

- to 15A fuse [No. 76, located in IPDM E/R]
- through IPDM E/R terminal 20
- to headlamp RH terminal 3
- to 15A fuse [No. 86, located in IPDM E/R]
- through IPDM E/R terminal 30
- to headlamp LH terminal 3.

Ground is supplied

- to headlamp RH terminal 5
- through grounds E17 and E43
- to headlamp LH terminal 5
- through grounds E17 and E43.

With power and ground supplied, low beam headlamps illuminate.

High Beam Operation/Flash-to-Pass Operation

With the lighting switch in 2ND position and placed in HIGH or PASS position, the BCM receives input signal requesting the headlamp high beams to illuminate. This input signal is communicated to the IPDM E/R across the CAN communication lines. The CPU in the IPDM E/R controls the headlamp high relay coil and low relay coil, which when energized, directs power

- to 15A fuse [No. 76, located in IPDM E/R]
- through IPDM E/R terminal 20
- to headlamp RH terminal 3, and
- to 15A fuse [No. 86, located in IPDM E/R]
- through IPDM E/R terminal 30
- to headlamp LH terminal 3
- to 10A fuse [No. 72, located in IPDM E/R]
- through IPDM E/R terminal 27
- to headlamp RH terminal 2, and
- to 10A fuse [No. 74, located in IPDM E/R]
- through IPDM E/R terminal 28

HEADLAMP (FOR USA)

- to headlamp LH terminal 2.

Ground is supplied

- to headlamp RH terminals 5 and 8
- through grounds E17 and E43
- to headlamp LH terminals 5 and 8
- through grounds E17 and E43.

With power and ground supplied, the high beam headlamps illuminate.

If voltage is applied to a high beam solenoid, the bulb shade will move, even a xenon head lamp bulb comes out, and a high beam and a low beam are changed.

The unified meter and A/C amp that received the high beam request signal by BCM across the CAN communication makes a high beam indicator lamp turn on in combination meter.

COMBINATION SWITCH READING FUNCTION

Refer to [BCS-3, "COMBINATION SWITCH READING FUNCTION"](#) .

EXTERIOR LAMP BATTERY SAVER CONTROL

When the combination switch (lighting switch) is in the 2ND position (ON), and the ignition switch is turned from ON or ACC to OFF, the battery saver control function is activated.

Under this condition, the headlamps remain illuminated for 5 minutes, then the headlamps are turned off.

Exterior lamp battery saver control mode can be changed by the function setting of CONSULT-II.

AUTO LIGHT OPERATION (IF EQUIPPED)

Refer to [LT-72, "System Description"](#) in "AUTO LIGHT SYSTEM".

VEHICLE SECURITY SYSTEM

The vehicle security system will flash the high beams if the system is triggered. Refer to [BL-104, "VEHICLE SECURITY \(THEFT WARNING\) SYSTEM"](#) .

XENON HEADLAMP

Xenon type headlamp is adopted to the low beam headlamps. Xenon bulbs do not use a filament. Instead, they produce light when a high voltage current is passed between two tungsten electrodes through a mixture of xenon (an inert gas) and certain other metal halides. In addition to added lighting power, electronic control of the power supply gives the headlamps stable quality and tone color.

Following are some of the many advantages of the xenon type headlamp.

- The light produced by the headlamps is a white color comparable to sunlight that is easy on the eyes.
- Light output is nearly double that of halogen headlamps, affording increased area of illumination.
- The light features a high relative spectral distribution at wavelengths to which the human eye is most sensitive. This means that even in the rain, more light is reflected back from the road surface toward the vehicle, for added visibility.
- Power consumption is approximately 25 percent less than halogen headlamps, reducing battery load.

A
B
C
D
E
F
G
H
I
J
LT
L
M

HEADLAMP (FOR USA)

CAN Communication System Description

AKS009IG

CAN (Controller Area Network) is a serial communication line for real time application. It is an on-vehicle multiplex communication line with high data communication speed and excellent error detection ability. Many electronic control units are equipped onto a vehicle, and each control unit shares information and links with other control units during operation (not independent). In CAN communication, control units are connected with 2 communication lines (CAN H line, CAN L line) allowing a high rate of information transmission with less wiring. Each control unit transmits/receives data but selectively reads required data only.

CAN Communication Unit

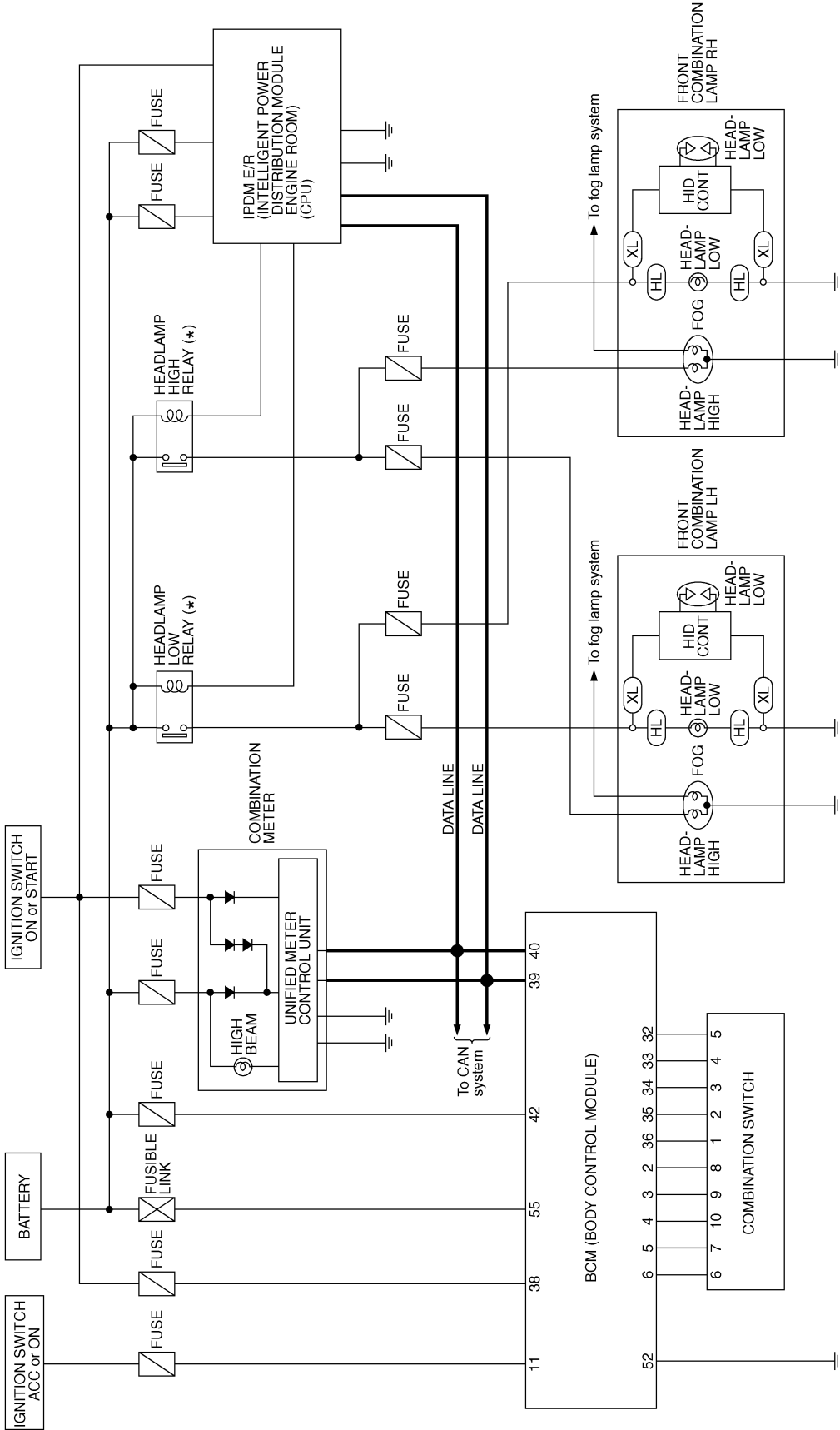
AKS009IH

Refer to [LAN-4, "CAN Communication Unit"](#) .

HEADLAMP (FOR USA)

Schematic

AKS009II



(HL) : With halogen bulb headlamp

(XL) : With xenon bulb headlamp

* : This relay is built into the IPDM E/R (intelligent power distribution module engine room).

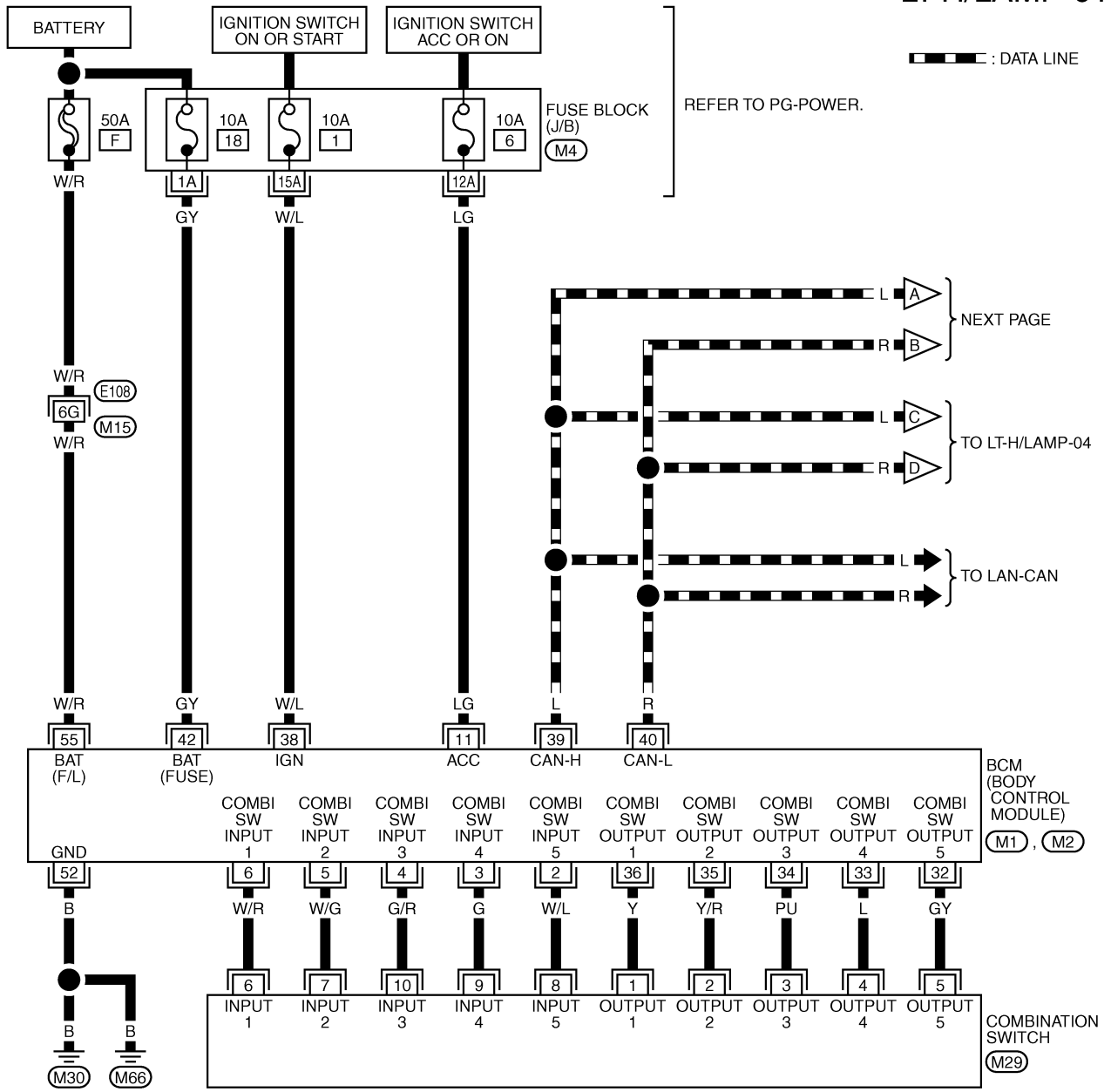
A
B
C
D
E
F
G
H
I
J
LT
L
M

HEADLAMP (FOR USA)

AKS009JJ

Wiring Diagram — H/LAMP —

LT-H/LAMP-01



7	8	9	10	13	12
6	5	4	3	2	1

(M29) W

REFER TO THE FOLLOWING.

(E108) -SUPER MULTIPLE JUNCTION (SMJ)

(M4) -FUSE BLOCK-JUNCTION BOX (J/B)

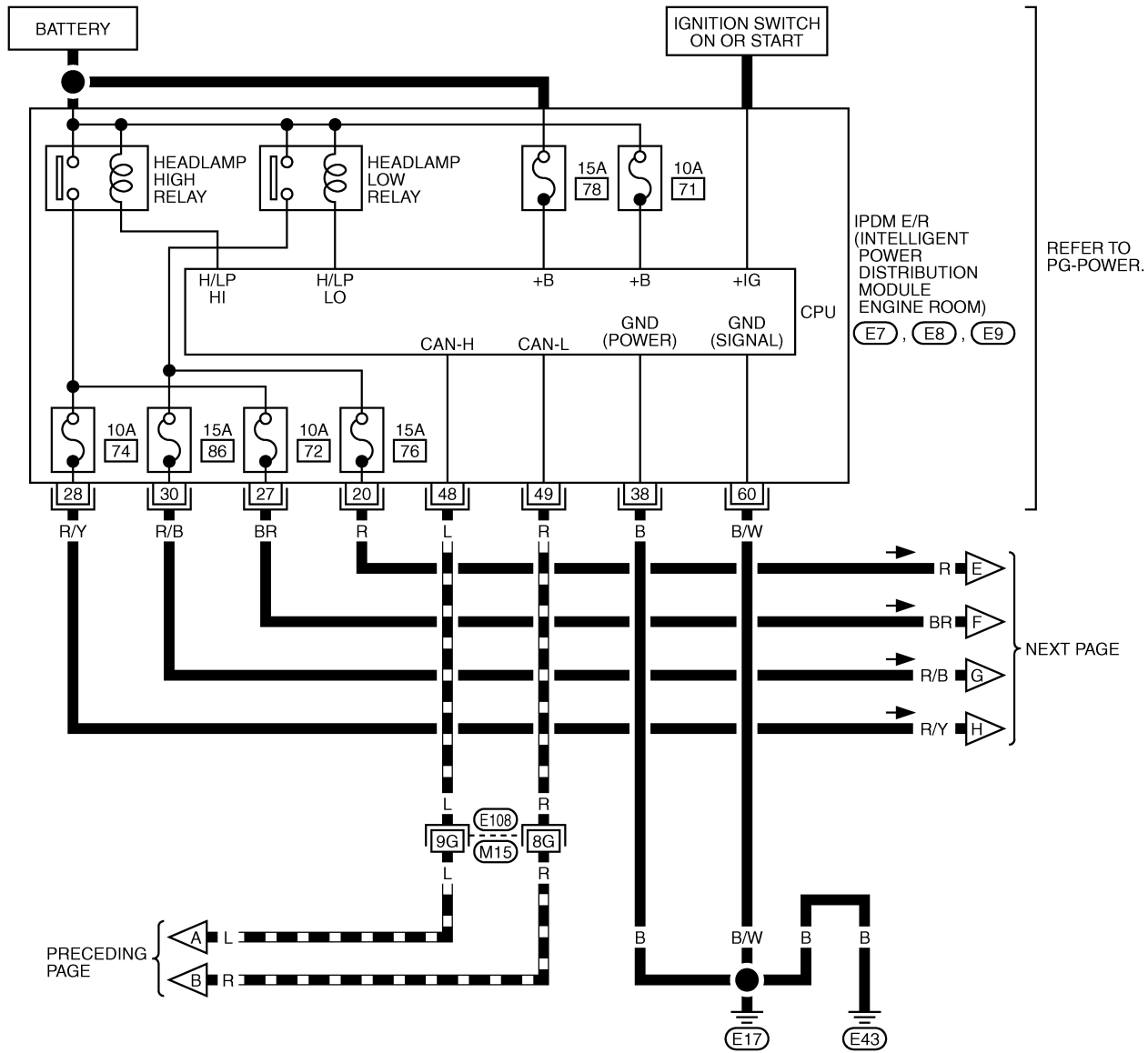
(M1), (M2) -ELECTRICAL UNITS

TKWT1404E

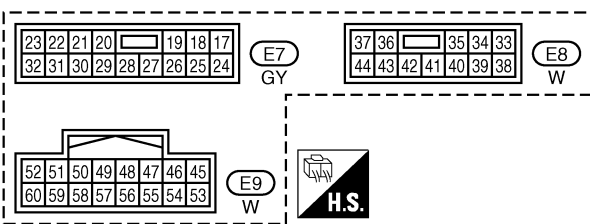
HEADLAMP (FOR USA)

LT-H/LAMP-02

▬ : DATA LINE



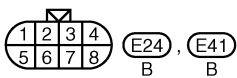
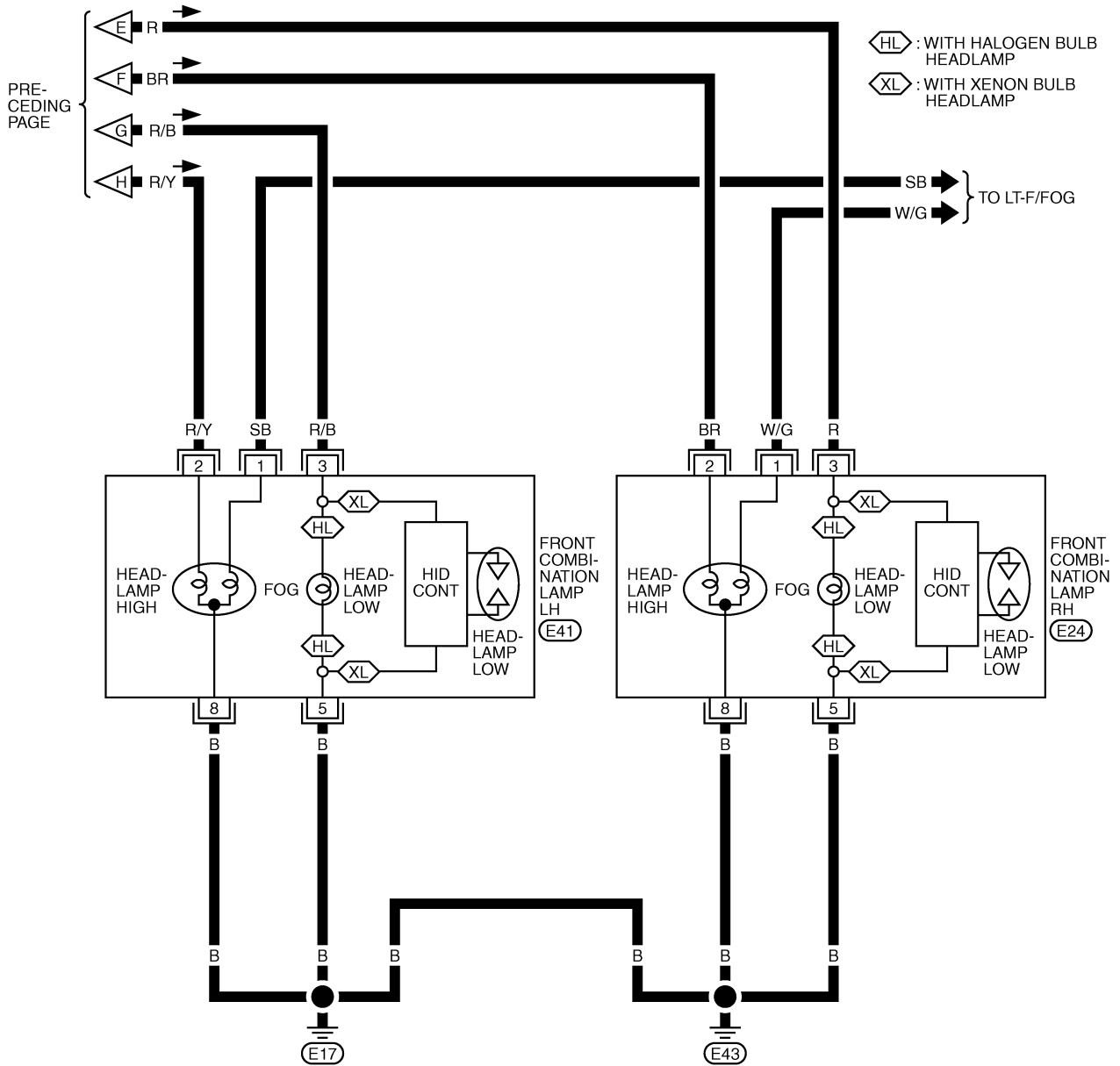
A
B
C
D
E
F
G
H
I
J
LT
L
M



REFER TO THE FOLLOWING.
E108 -SUPER MULTIPLE JUNCTION (SMJ)

HEADLAMP (FOR USA)

LT-H/LAMP-03

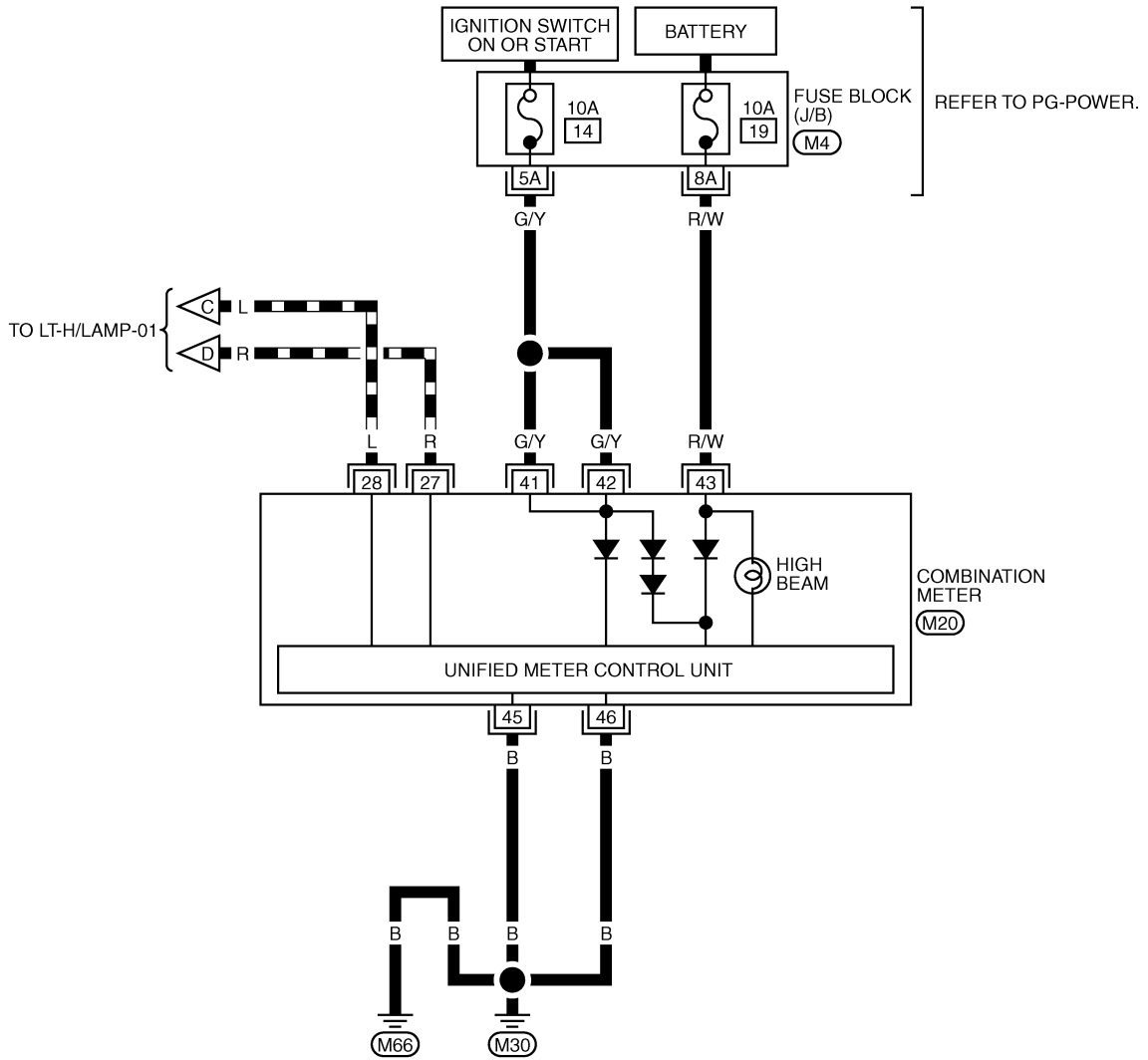


TKWT1406E

HEADLAMP (FOR USA)

LT-H/LAMP-04

▬ : DATA LINE



25	26	27	28	29	30	31	32	33	34	35		
36	37	38	39	40	41	42	43	44	45	46	47	48

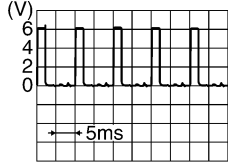

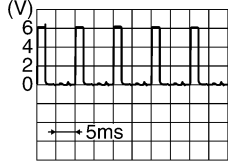
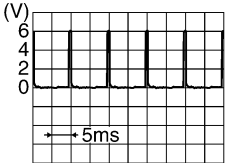
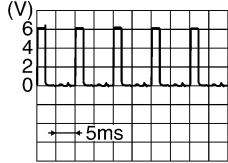
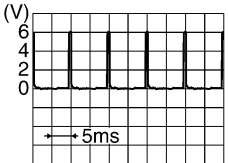
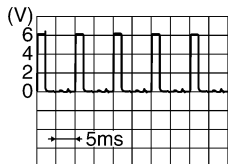
(M20)
W

REFER TO THE FOLLOWING.
(M4) - FUSE BLOCK-JUNCTION BOX (J/B)


HEADLAMP (FOR USA)

Terminals and Reference Values for BCM

AKS009IK

Terminal No.	Wire color	Signal name	Measuring condition		Reference value
			Ignition switch	Operation or condition	
2	W/L	Combination switch input 5	ON	Lighting, turn, wiper OFF Wiper dial position 4	 <p style="text-align: right;">SKIA5291E</p>
3	G	Combination switch input 4	ON	Lighting, turn, wiper OFF Wiper dial position 4	 <p style="text-align: right;">SKIA5292E</p>
4	G/R	Combination switch input 3	ON	Lighting, turn, wiper OFF Wiper dial position 4	 <p style="text-align: right;">SKIA5291E</p>
5	W/G	Combination switch input 2	ON	Lighting, turn, wiper OFF Wiper dial position 4	 <p style="text-align: right;">SKIA5292E</p>
6	W/R	Combination switch input 1			
11	LG	Ignition switch (ACC)	ACC	—	Battery voltage
32	GY	Combination switch output 5	ON	Lighting, turn, wiper OFF Wiper dial position 4	 <p style="text-align: right;">SKIA5291E</p>
33	L	Combination switch output 4	ON	Lighting, turn, wiper OFF Wiper dial position 4	 <p style="text-align: right;">SKIA5292E</p>
34	PU	Combination switch output 3	ON	Lighting, turn, wiper OFF Wiper dial position 4	 <p style="text-align: right;">SKIA5291E</p>

HEADLAMP (FOR USA)

Terminal No.	Wire color	Signal name	Measuring condition		Reference value
			Ignition switch	Operation or condition	
35	Y/R	Combination switch output 2	ON	Lighting, turn, wiper OFF Wiper dial position 4	
36	Y	Combination switch output 1			
38	W/L	Ignition switch (ON)	ON	—	Battery voltage
39	L	CAN- H	—	—	—
40	R	CAN- L	—	—	—
42	GY	Battery power supply	OFF	—	Battery voltage
52	B	Ground	ON	—	Approx. 0V
55	W/R	Battery power supply	OFF	—	Battery voltage

Terminals and Reference Values for IPDM E/R

AKS0091L

Terminal No.	Wire color	Signal name	Measuring condition		Reference value
			Ignition switch	Operation or condition	
20	R	Headlamp low (RH)	ON	Lighting switch 2ND position OFF	Approx. 0V
				ON	Battery voltage
27	BR	Headlamp high (RH)	ON	Lighting switch HIGH or PASS position OFF	Approx. 0V
				ON	Battery voltage
28	R/Y	Headlamp high (LH)	ON	Lighting switch HIGH or PASS position OFF	Approx. 0V
				ON	Battery voltage
30	R/B	Headlamp low (LH)	ON	Lighting switch 2ND position OFF	Approx. 0V
				ON	Battery voltage
38	B	Ground	ON	—	Approx. 0V
48	L	CAN- H	—	—	—
49	R	CAN- L	—	—	—
60	B/W	Ground	ON	—	Approx. 0V

How to Proceed With Trouble Diagnosis

AKS0091M

1. Confirm the symptom or customer complaint.
2. Understand operation description and function description. Refer to [LT-7, "System Description"](#) .
3. Perform the preliminary check. Refer to [LT-18, "Preliminary Check"](#) .
4. Check symptom and repair or replace the cause of malfunction.
5. Does the headlamp operate normally? If YES: GO TO 6. If NO: GO TO 4.
6. INSPECTION END

HEADLAMP (FOR USA)

AKS0091N

Preliminary Check CHECK POWER SUPPLY AND GROUND CIRCUIT

1. CHECK FUSES

- Check fuses for blown-out.

Unit	Power source	Fuse and fusible link No.
BCM	Battery	F
		18
	Ignition switch ON or START position	1
	Ignition switch ACC or ON position	6
IPDM E/R	Battery	72
		74
		76
		86

Refer to [LT-12, "Wiring Diagram — H/LAMP —"](#) .

OK or NG

OK >> GO TO 2.

NG >> If fuse is blown, be sure to eliminate cause of malfunction before installing new fuse. Refer to [PG-3, "POWER SUPPLY ROUTING CIRCUIT"](#) .

2. CHECK POWER SUPPLY CIRCUIT

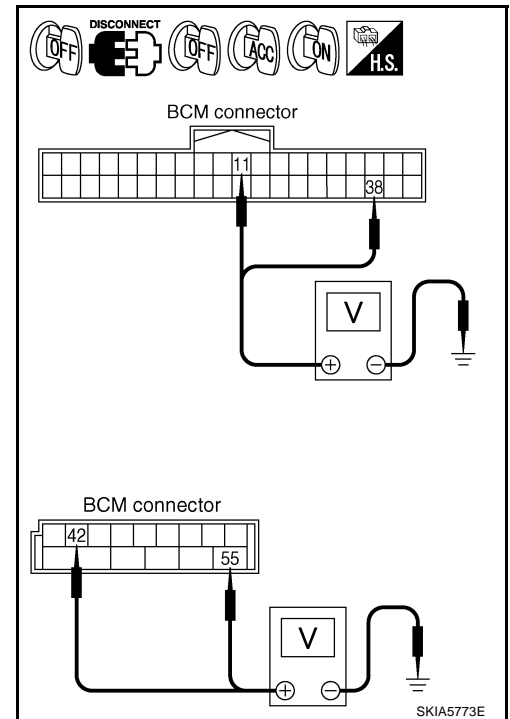
1. Turn ignition switch OFF.
2. Disconnect BCM connector.
3. Check voltage between BCM harness connector and ground.

Terminals		(-)	Ignition switch position		
(+)	Connector		Terminal (Wire color)	OFF	ACC
M1	Ground	11 (LG)	0V	Battery voltage	Battery voltage
		38 (W/L)	0V	0V	Battery voltage
M2	Ground	42 (GY)	Battery voltage	Battery voltage	Battery voltage
		55 (W/R)	Battery voltage	Battery voltage	Battery voltage

OK or NG

OK >> GO TO 3.

NG >> Check harness for open or short between BCM and fuse.



HEADLAMP (FOR USA)

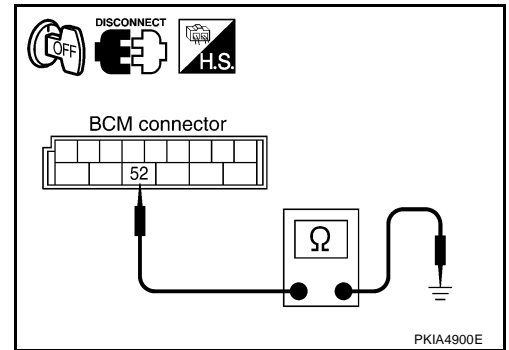
3. CHECK GROUND CIRCUIT

Check continuity between BCM harness connector and ground.

Terminals			Continuity
Connector	Terminal (Wire color)	Ground	
M2	52 (B)	Ground	Yes

OK or NG

- OK >> INSPECTION END
- NG >> Check ground circuit harness.



CONSULT-II Functions (BCM)

- CONSULT-II performs the following functions communicating with BCM.

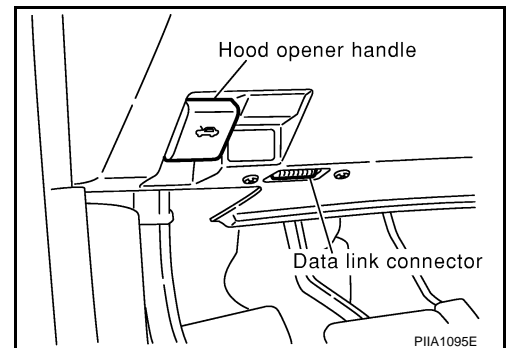
BCM diagnosis part	Check item, diagnosis mode	Description
HEAD LAMP	WORK SUPPORT	Changes the setting for each function.
	DATA MONITOR	Displays BCM input data in real time.
	ACTIVE TEST	Operation of electrical loads can be checked by sending drive signal to them.
BCM	CAN DIAG SUPPORT MNTR	The result of transmit/receive diagnosis of CAN communication can be read.

CONSULT-II BASIC OPERATION

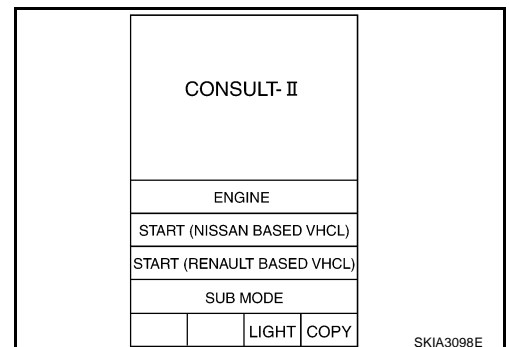
CAUTION:

If CONSULT-II is used with no connection of CONSULT-II CONVERTER, malfunctions might be detected in self-diagnosis depending on control unit which carry out CAN communication.

1. With the ignition switch OFF, connect CONSULT-II and CONSULT-II CONVERTER to the data link connector, then turn ignition switch ON.

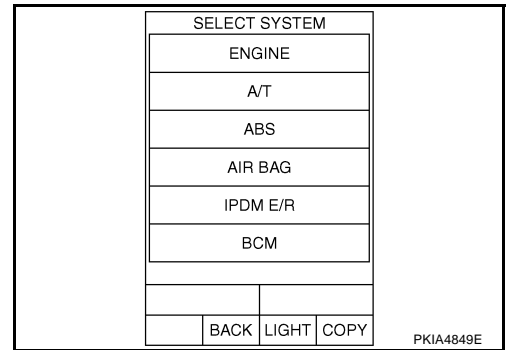


2. Touch "START (NISSAN BASED VHCL)".

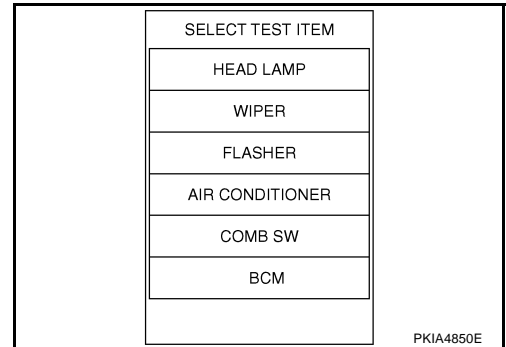


HEADLAMP (FOR USA)

3. Touch "BCM" on "SELECT SYSTEM" screen.
If "BCM" is not indicated, refer to [GI-38, "CONSULT-II Data Link Connector \(DLC\) Circuit"](#).



4. Touch "HEAD LAMP" on "SELECT TEST ITEM" screen.



WORK SUPPORT

Operation Procedure

1. Touch "HEAD LAMP" on "SELECT TEST ITEM" screen.
2. Touch "WORK SUPPORT" on "SELECT DIAG MODE" screen.
3. Touch item on "SELECT WORK ITEM" screen.
4. Touch "START".
5. Touch "CHANGE SET".
6. The setting will be changed and "CUSTOMIZING COMPLETED" will be displayed.
7. Touch "END".

Display Item List

Item	Description	CONSULT-II	Factory setting
BATTERY SAVER SET	Exterior lamp battery saver control mode can be changed in this mode. Selects exterior lamp battery saver control mode between two ON/OFF.	ON	×
		OFF	—

DATA MONITOR

Operation Procedure

1. Touch "HEAD LAMP" on "SELECT TEST ITEM" screen.
2. Touch "DATA MONITOR" on "SELECT DIAG MODE" screen.
3. Touch either "ALL SIGNALS" or "SELECTION FROM MENU" on "DATA MONITOR" screen.

ALL SIGNALS	Monitors all the signals.
SELECTION FROM MENU	Selects and monitors individual signal.

4. Touch "START".
5. When "SELECTION FROM MENU" is selected, touch individual items to be monitored. When "ALL SIGNALS" is selected, all the items will be monitored.
6. Touch "RECORD" while monitoring, then the status of the monitored item can be recorded. To stop recording, touch "STOP".

HEADLAMP (FOR USA)

Display Item List

Monitor item		Contents
IGN ON SW	"ON/OFF"	Displays "IGN position (ON)/OFF, ACC position (OFF)" judged from the ignition switch signal.
ACC ON SW	"ON/OFF"	Displays "ACC (ON)/OFF, Ignition OFF (OFF)" status judged from ignition switch signal.
HI BEAM SW	"ON/OFF"	Displays status (high beam switch: ON/Others: OFF) of high beam switch judged from lighting switch signal.
HEAD LAMP SW 1	"ON/OFF"	Displays status (headlamp switch 1: ON/Others: OFF) of headlamp switch 2 judged from lighting switch signal.
HEAD LAMP SW 2	"ON/OFF"	Displays status (headlamp switch 2: ON/Others: OFF) of headlamp switch 2 judged from lighting switch signal.
LIGHT SW 1 ST	"ON/OFF"	Displays status (lighting switch 1st position: ON/Others: OFF) of lighting switch judged from lighting switch signal.
AUTO LIGHT SW	"ON/OFF"	Displays status of the lighting switch as judged from the lighting switch signal. (AUTO position: ON/Other than AUTO position: OFF)
PASSING SW	"ON/OFF"	Displays status (flash-to-pass switch: ON/Others: OFF) of flash-to-pass switch judged from lighting switch signal.
FR FOG SW	"ON/OFF"	Displays status (front fog lamp switch: ON/Others: OFF) of front fog lamp switch judged from lighting switch signal.
DOOR SW - DR	"ON/OFF"	Displays status of the driver door as judged from the driver door switch signal. (Door is open: ON/Door is closed: OFF)
DOOR SW - AS	"ON/OFF"	Displays status of the passenger door as judged from the passenger door switch signal. (Door is open: ON/Door is closed: OFF)
DOOR SW - RR	"ON/OFF"	Displays status of the rear door as judged from the rear door switch (RH) signal. (Door is open: ON/Door is closed: OFF)
DOOR SW - RL	"ON/OFF"	Displays status of the rear door as judged from the rear door switch (LH) signal. (Door is open: ON/Door is closed: OFF)
BACK DOOR SW ^{Note 1}	"OFF"	—
TURN SIGNAL R	"ON/OFF"	Displays status (Turn right: ON/Others: OFF) as judged from lighting switch signal.
TURN SIGNAL L	"ON/OFF"	Displays status (Turn left: ON/Others: OFF) as judged from lighting switch signal.
CARGO LAMP SW ^{Note 1}	"OFF"	—
OPTICAL SENSOR ^{Note 2}	[0 - 5V]	Displays "ambient light (close to 5V when light/close to 0V when dark)" judged from optical sensor signal.

NOTE:

1. This item is displayed, but cannot monitor it.
2. Vehicles without auto light system display this item, but cannot monitor it.

ACTIVE TEST

Operation Procedure

1. Touch "HEAD LAMP" on "SELECT TEST ITEM" screen.
2. Touch "ACTIVE TEST" on "SELECT DIAG MODE" screen.
3. Touch item to be tested and check operation of the selected item.
4. During the operation check, touching "BACK" deactivates the operation.

Display Item List

Test item	Description
TAIL LAMP	Allows tail lamp relay to operate by switching ON-OFF.
HEAD LAMP	Allows headlamp relay to operate by switching ON-OFF.
FR FOG LAMP	Allows fog lamp relay to operate by switching ON-OFF.
CORNERING LAMP ^{Note}	—
CARGO LAMP ^{Note}	—

HEADLAMP (FOR USA)

NOTE:

This item is displayed, but cannot monitor it.

CONSULT-II Functions (IPDM E/R)

AKS009IP

CONSULT-II performs the following functions communicating with IPDM E/R.

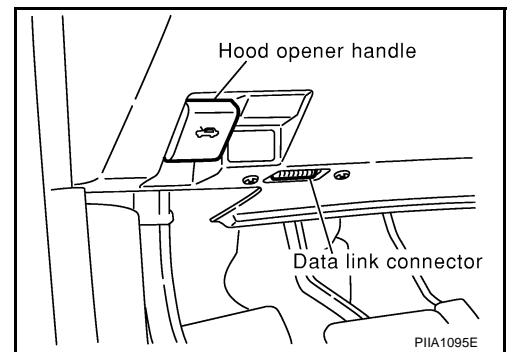
Check Item, Diagnosis Mode	Description
SELF-DIAGNOSTIC RESULTS	The IPDM E/R performs self-diagnosis of CAN communication.
DATA MONITOR	The input/output data of the IPDM E/R is displayed in real time.
CAN DIAG SUPPORT MNTR	The result of transmit/receive diagnosis of CAN communication can be read.
ACTIVE TEST	The IPDM E/R sends a drive signal to electronic components to check their operation.

CONSULT-II OPERATION

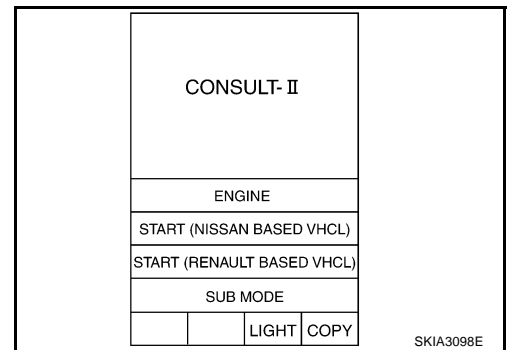
CAUTION:

If CONSULT-II is used with no connection of CONSULT-II CONVERTER, malfunctions might be detected in self-diagnosis depending on control unit which carry out CAN communication.

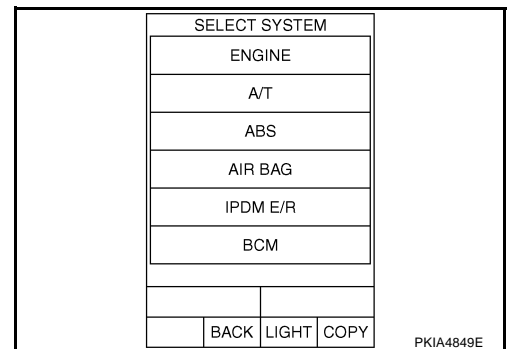
1. With the ignition switch OFF, connect CONSULT-II and CONSULT-II CONVERTER to the data link connector, then turn the ignition switch ON.



2. Touch "START (NISSAN BASED VHCL)".

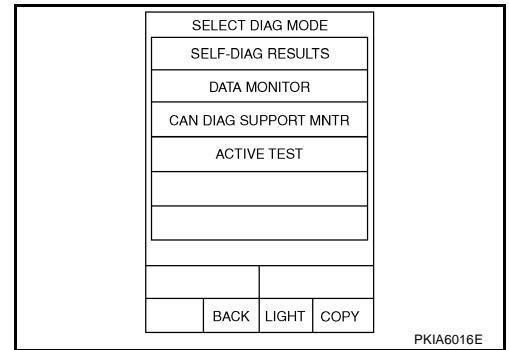


3. Touch "IPDM E/R" on "SELECT SYSTEM" screen.
If "IPDM E/R" is not displayed, print "SELECT SYSTEM" screen, then refer to [GI-38, "CONSULT-II Data Link Connector \(DLC\) Circuit"](#).



HEADLAMP (FOR USA)

- Select the desired part to be diagnosed on "SELECT DIAG MODE" screen.



DATA MONITOR

Operation Procedure

- Touch "DATA MONITOR" on "SELECT DIAG MODE" screen.
- Touch "ALL SIGNALS", "MAIN SIGNALS" or "SELECTION FROM MENU" on "DATA MONITOR" screen.

ALL SIGNALS	All items will be monitored.
MAIN SIGNALS	Monitor the predetermined item.
SELECTION FROM MENU	Select any item for monitoring.

- Touch "START".
- Touch the required monitoring item on "SELECTION FROM MENU". In "ALL SIGNALS", all items are monitored. In "MAIN SIGNALS", predetermined items are monitored.
- Touch "RECORD" while monitoring to record the status of the item being monitored. To stop recording, touch "STOP".

All Signals, Main Signals, Selection From Menu

Item name	CONSULT-II screen display	Display or unit	Monitor item selection			Description
			ALL SIGNALS	MAIN SIGNALS	SELECTION FROM MENU	
Position lights request	TAIL&CLR REQ	ON/OFF	×	×	×	Signal status input from BCM
Headlamp low beam request	HL LO REQ	ON/OFF	×	×	×	Signal status input from BCM
Headlamp high beam request	HL HI REQ	ON/OFF	×	×	×	Signal status input from BCM
Font fog lights request	FR FOG REQ	ON/OFF	×	×	×	Signal status input from BCM

NOTE:

Perform monitoring of IPDM E/R data with the ignition switch ON. When the ignition switch is at ACC, the display may not be correct.

ACTIVE TEST

Operation Procedure

- Touch "ACTIVE TEST" on "SELECT DIAG MODE" screen.
- Touch item to be tested, and check operation.
- Touch "START".
- Touch "STOP" while testing to stop the operation.

Test item	CONSULT-II screen display	Description
Headlamp relay (HI, LO) output	LAMPS	Allows headlamp relay (HI, LO) to operate by switching operation (OFF, HI ON, LO ON) at your option.
Front fog lamp relay output		Allows fog lamp relay to operate by switching operation ON-OFF at your option
Tail lamp relay output	TAIL LAMP	Allows tail lamp relay to operate by switching operation ON-OFF at your option

SELF-DIAGNOSTIC RESULTS

Refer to [PG-19, "SELF-DIAG RESULTS"](#) .

HEADLAMP (FOR USA)

AKS009/Q

Headlamp HI Does Not Illuminate (Both Sides)

1. CHECK COMBINATION SWITCH INPUT SIGNAL

④ With CONSULT-II

Select "BCM" on CONSULT-II. With "HEAD LAMP" data monitor, make sure "HI BEAM SW" turns ON-OFF linked with operation of lighting switch.

**When lighting switch is : HI BEAM SW ON
HIGH position**

DATA MONITOR	
MONITOR	
HI BEAM SW	ON

SKIA4193E

⊗ With out CONSULT-II

Refer to [LT-129, "Combination Switch Inspection"](#) .

OK or NG

OK >> GO TO 2.

NG >> Check lighting switch. Refer to [LT-129, "Combination Switch Inspection"](#) .

2. HEADLAMP ACTIVE TEST

④ With CONSULT-II

1. Select "IPDM E/R" on CONSULT-II. and select "ACTIVE TEST" on "SELECT DIAG MODE" screen.
2. Select "LAMPS" on "SELECT TEST ITEM" screen.
3. Touch "HI" screen.
4. Make sure headlamp high beam operates.

Headlamp high beam should operate

ACTIVE TEST	
LAMPS	OFF
	HI
LO	FOG
MODE	BACK
LIGHT	COPY

SKIA5774E

⊗ With out CONSULT-II

1. Start auto active test. Refer to [PG-22, "Auto Active Test"](#) .
2. Make sure headlamp high beam operates.

Headlamp high beam should operate.

OK or NG

OK >> GO TO 3.

NG >> GO TO 4.

3. CHECK IPDM E/R

1. Select "IPDM E/R" on CONSULT-II. and select "DATA MONITOR" on "SELECT DIAG MODE" screen.
2. Make sure "HL LO REQ" and "HL HI REQ" turns ON when lighting switch is in HI position.

**When lighting switch is : HL LO REQ ON
HIGH position : HL HI REQ ON**

DATA MONITOR	
MONITOR	
HL LO REQ	ON
HL HI REQ	ON
	Page Down
	RECORD
MODE	BACK
LIGHT	COPY

SKIA5775E

OK or NG

OK >> Replace IPDM E/R.

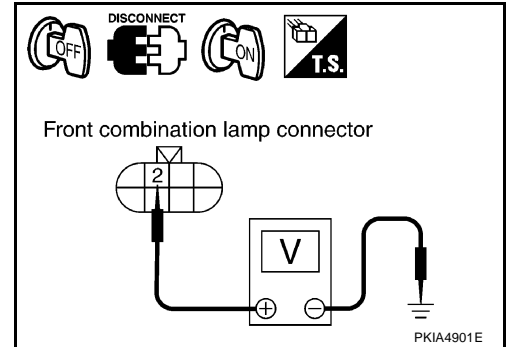
NG >> Replace BCM. Refer to [BCS-15, "Removal and Installation of BCM"](#) .

HEADLAMP (FOR USA)

4. CHECK HEADLAMP INPUT SIGNAL

☑ With CONSULT-II

1. Turn ignition switch OFF.
2. Disconnect front combination lamp RH and LH connector.
3. Select "IPDM E/R" on CONSULT-II, and select "ACTIVE TEST" on "SELECT DIAG MODE" screen.
4. Select "LAMPS" on "SELECT TEST ITEM" screen.
5. Touch "HI" screen.
6. When headlamp high beam is operating, check voltage between front combination lamp RH and LH harness connector and ground.



Terminals			(-)	Voltage
(+)				
Connector		Terminal (Wire color)		
RH	E24	2 (BR)	Ground	Battery voltage
LH	E41	2 (R/Y)		

☒ With out CONSULT-II

1. Turn ignition switch OFF.
2. Disconnect front combination lamp RH and LH connector.
3. Start auto active test. Refer to [PG-22, "Auto Active Test"](#).
4. When headlamp high beam is operating, check voltage between front combination lamp RH and LH harness connector and ground.

Terminals			(-)	Voltage
(+)				
Connector		Terminal (Wire color)		
RH	E24	2 (BR)	Ground	Battery voltage
LH	E41	2 (R/Y)		

OK or NG

- OK >> GO TO 6.
NG >> GO TO 5.

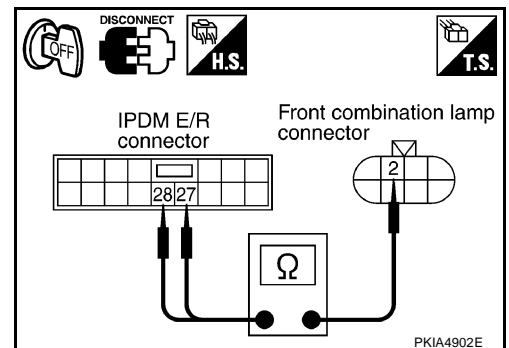
5. CHECK HEADLAMP CIRCUIT

1. Turn ignition switch OFF.
2. Disconnect IPDM E/R connector.
3. Check continuity between IPDM E/R harness connector E7 terminal 27 (BR) and front combination lamp RH harness connector E24 terminal 2 (BR).

27 (BR) – 2 (BR) : Continuity should exist.

4. Check continuity between IPDM E/R harness connector E7 terminal 28 (R/Y) and front combination lamp LH harness connector E41 terminal 2 (R/Y).

28 (R/Y) – 2 (R/Y) : Continuity should exist.



OK or NG

- OK >> Replace IPDM E/R.
NG >> Repair harness or connector.

HEADLAMP (FOR USA)

6. CHECK HEADLAMP GROUND

1. Check continuity between front combination lamp RH harness connector E24 terminal 8 (B) and ground.

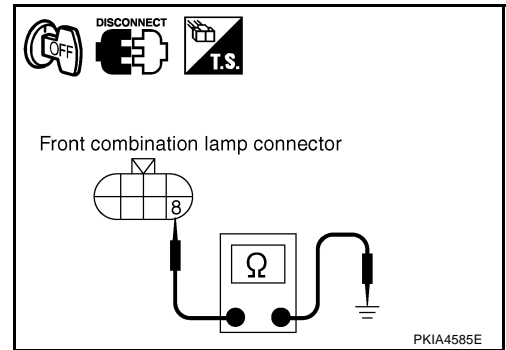
8 (B) – Ground : Continuity should exist.

2. Check continuity between front combination lamp LH harness connector E41 terminal 8 (B) and ground.

8 (B) – Ground : Continuity should exist.

OK or NG

- OK >> Check headlamp bulb.
 NG >> Repair harness or connector.



Headlamp HI Does Not Illuminate (One Side)

AKS009/R

1. CHECK BULB

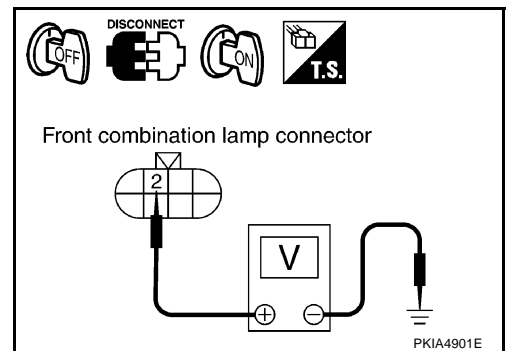
Check bulbs of lamps which do not illuminate.

OK or NG

- OK >> GO TO 2.
 NG >> Replace headlamp bulb.

2. CHECK HEADLAMP INPUT SIGNAL

1. Turn ignition switch OFF.
2. Disconnect front combination lamp RH or LH connector.
3. Turn ignition switch ON.
4. Lighting switch is turned HIGH position.
5. Check voltage between front combination lamp RH or LH harness connector and ground.



Terminals			(-)	Voltage
(+) Connector		Terminal (Wire color)		
RH	E24	2 (BR)	Ground	Battery voltage
LH	E41	2 (R/Y)		

OK or NG

- OK >> GO TO 4.
 NG >> GO TO 3.

HEADLAMP (FOR USA)

3. CHECK HEADLAMP CIRCUIT

1. Turn ignition switch OFF.
2. Disconnect IPDM E/R connector.
3. Check continuity between IPDM E/R harness connector E7 terminal 27 (BR) and front combination lamp RH harness connector E24 terminal 2 (BR).

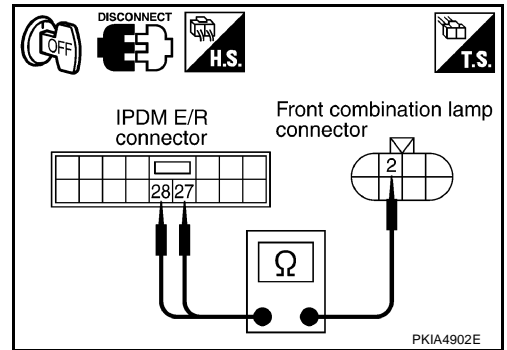
27 (BR) – 2 (BR) : Continuity should exist.

4. Check continuity between IPDM E/R harness connector E7 terminal 28 (R/Y) and front combination lamp LH harness connector E41 terminal 2 (R/Y).

28 (R/Y) – 2 (R/Y) : Continuity should exist.

OK or NG

- OK >> Replace IPDM E/R.
- NG >> Repair harness or connector.



4. CHECK HEADLAMP GROUND

1. Check continuity between front combination lamp RH harness connector E24 terminal 8 (B) and ground.

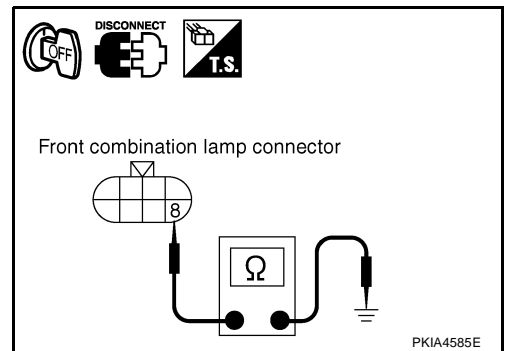
8 (B) – Ground : Continuity should exist.

2. Check continuity between front combination lamp LH harness connector E41 terminal 8 (B) and ground.

8 (B) – Ground : Continuity should exist.

OK or NG

- OK >> Check headlamp harness and connectors.
- NG >> Repair harness or connector.



High Beam Indicator Lamp Does Not Illuminate

AKS009/S

1. CHECK BULB

Check bulb of high beam indicator lamp.

OK or NG

- OK >> Replace combination meter.
- NG >> Replace indicator bulb.

Headlamp Low Beam Does Not Illuminate (Both Sides)

AKS009/T

1. CHECK COMBINATION SWITCH INPUT SIGNAL

Ⓜ With CONSULT-II

Select "BCM" on CONSULT-II. With "HEAD LAMP" data monitor, make sure "HEAD LAMP SW 1" and "HEAD LAMP SW 2" turns ON-OFF linked with operation of lighting switch.

**When lighting switch is 2ND position : HEAD LAMP SW 1 ON
: HEAD LAMP SW 2 ON**

Ⓧ With out CONSULT-II

Refer to [LT-129, "Combination Switch Inspection"](#).

OK or NG

- OK >> GO TO 2.
- NG >> Check lighting switch. Refer to [LT-129, "Combination Switch Inspection"](#).

DATA MONITOR	
MONITOR	
HEAD LAMP SW1	ON
HEAD LAMP SW2	ON

SKIA4194E

HEADLAMP (FOR USA)

2. HEADLAMP ACTIVE TEST

☑ With CONSULT-II

1. Select "IPDM E/R" on CONSULT-II. and select "ACTIVE TEST" on "SELECT DIAG MODE" screen.
2. Select "LAMPS" on "SELECT TEST" ITEM screen.
3. Touch "LO" screen.
4. Make sure headlamp low beam operates.

Headlamp low beam should operate.

☒ With out CONSULT-II

1. Start auto active test. Refer to [PG-22, "Auto Active Test"](#) .
2. Make sure headlamp low beam operates.

Headlamp low beam should operate.

OK or NG

- OK >> GO TO 3.
NG >> GO TO 4.

3. CHECK IPDM E/R

1. Select "IPDM E/R" on CONSULT-II. and select "DATA MONITOR" on "SELECT DIAG MODE" screen.
2. Make sure "HL LO REQ" turns ON when lighting switch is in 2ND position.

When lighting switch is 2ND position : HL LO REQ ON

OK or NG

- OK >> Replace IPDM E/R.
NG >> Replace BCM. Refer to [BCS-15, "Removal and Installation of BCM"](#) .

ACTIVE TEST			
LAMPS		OFF	
		HI	
LO		FOG	
MODE	BACK	LIGHT	COPY

SKIA5774E

DATA MONITOR			
MONITOR			
HL LO REQ		ON	
		Page Down	
RECORD			
MODE	BACK	LIGHT	COPY

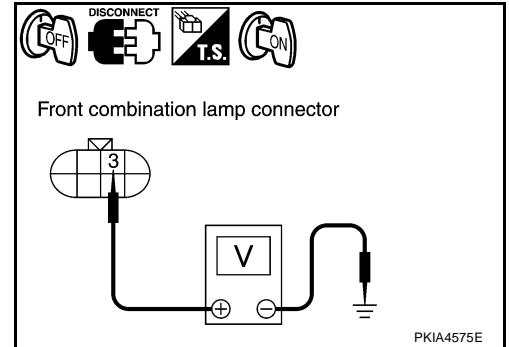
SKIA5780E

HEADLAMP (FOR USA)

4. CHECK HEADLAMP INPUT SIGNAL

☑ With CONSULT-II

1. Turn ignition switch OFF.
2. Disconnect front combination lamp RH and LH connector.
3. Select "IPDM E/R" on CONSULT-II. and select "ACTIVE TEST" on "SELECT DIAG MODE" screen.
4. Select "LAMPS" on "SELECT TEST ITEM" screen.
5. Touch "LO" screen.
6. When headlamp low beam is operating, check voltage between front combination lamp RH and LH harness connector and ground.



Terminals			(-)	Voltage
(+)				
Connector		Terminal (Wire color)		
RH	E24	3 (R)	Ground	Battery voltage
LH	E41	3 (R/B)		

☒ With out CONSULT-II

1. Turn ignition switch OFF.
2. Disconnect front combination lamp RH and LH connector.
3. Start auto active test. Refer to [PG-22, "Auto Active Test"](#).
4. When headlamp low beam is operating, check voltage between front combination lamp RH and LH harness connector and ground.

Terminals			(-)	Voltage
(+)				
Connector		Terminal (Wire color)		
RH	E24	3 (R)	Ground	Battery voltage
LH	E41	3 (R/B)		

OK or NG

- OK >> GO TO 6.
NG >> GO TO 5.

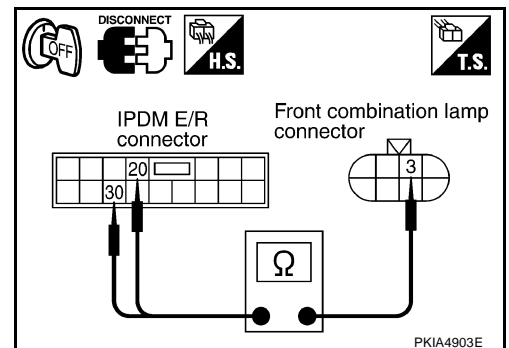
5. CHECK HEADLAMP CIRCUIT

1. Turn ignition switch OFF.
2. Disconnect IPDM E/R connector.
3. Check continuity between IPDM E/R harness connector E7 terminal 20 (R) and front combination lamp RH harness connector E24 terminal 3 (R).

20 (R) – 3 (R) : Continuity should exist.

4. Check continuity between IPDM E/R harness connector E7 terminal 30 (R/B) and front combination lamp LH harness connector E41 terminal 3 (R/B).

30 (R/B) – 3 (R/B) : Continuity should exist.



OK or NG

- OK >> Replace IPDM E/R.
NG >> Repair harness or connector.

HEADLAMP (FOR USA)

6. CHECK HEADLAMP GROUND

1. Turn ignition switch OFF.
2. Check continuity between front combination lamp RH harness connector E24 terminal 5 (B) and ground.

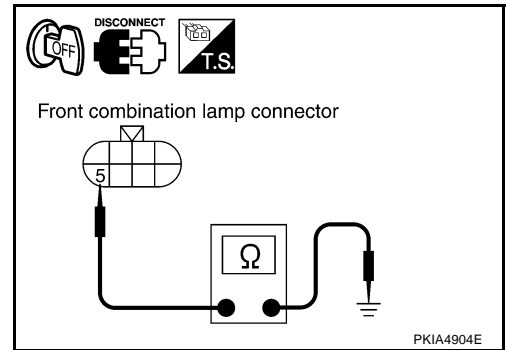
5 (B) – Ground : Continuity should exist.

3. Check continuity between front combination lamp LH harness connector E41 terminal 5 (B) and ground.

5 (B) – Ground : Continuity should exist.

OK or NG

- OK >> Check headlamp harness and connectors, ballasts (HID control unit), and xenon bulbs. Refer to [LT-33, "Xenon Headlamp Trouble Diagnosis"](#) .
- NG >> Repair harness or connector.



Headlamp Low Beam Does Not Illuminate (One Side)

AKS009IU

1. CHECK BULB

Check ballasts (HID control unit) and xenon bulb of lamp which does not illuminate. Refer to [LT-33, "Xenon Headlamp Trouble Diagnosis"](#) .

OK or NG

- OK >> GO TO 2.
- NG >> Repair malfunctioning part.

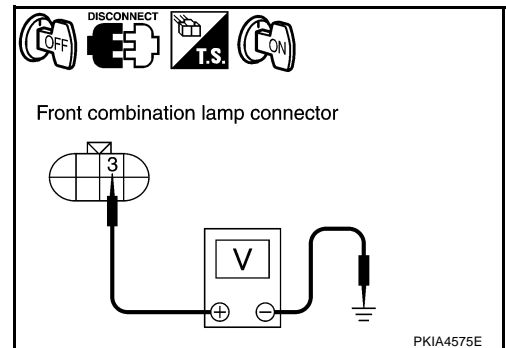
2. CHECK HEADLAMP INPUT SIGNAL

1. Turn ignition switch OFF.
2. Disconnect front combination lamp RH or LH connector.
3. Turn ignition switch ON.
4. Lighting switch is turned 2ND position.
5. Check voltage between front combination lamp RH or LH harness connector and ground.

Terminals			(-)	Voltage
(+)				
Connector		Terminal (Wire color)		
RH	E24	3 (R)	Ground	Battery voltage
LH	E41	3 (R/B)		

OK or NG

- OK >> GO TO 4.
- NG >> GO TO 3.



HEADLAMP (FOR USA)

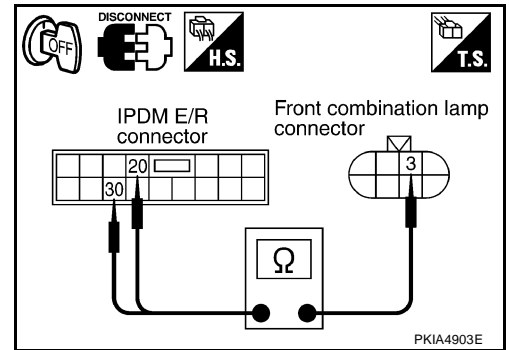
3. CHECK HEADLAMP CIRCUIT

1. Turn ignition switch OFF.
2. Disconnect IPDM E/R connector and front combination lamp RH or LH connector.
3. Check continuity between IPDM E/R harness connector E7 terminal 20 (R) and front combination lamp RH harness connector E24 terminal 3 (R).

20 (R) – 3 (R) : Continuity should exist.

4. Check continuity between IPDM E/R harness connector E7 terminal 30 (R/B) and front combination lamp LH harness connector E41 terminal 3 (R/B).

30 (R/B) – 3 (R/B) : Continuity should exist.



OK or NG

- OK >> Replace IPDM E/R.
- NG >> Repair harness or connector.

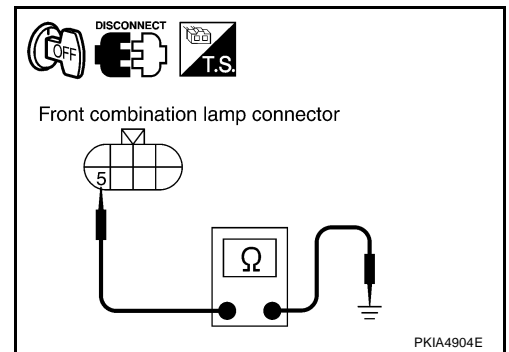
4. CHECK HEADLAMP GROUND

1. Check continuity between front combination lamp RH harness connector E24 terminal 5 (B) and ground.

5 (B) – Ground : Continuity should exist.

2. Check continuity between front combination lamp LH harness connector E41 terminal 5 (B) and ground.

5 (B) – Ground : Continuity should exist.



OK or NG

- OK >> Check headlamp harness and connectors.
- NG >> Repair harness or connector.

Headlamps Do Not Turn OFF

1. CHECK HEADLAMP TURN OFF

Make sure that lighting switch is OFF. And make sure is headlamp turns off when ignition switch is turned OFF.

OK or NG

- OK >> GO TO 3.
- NG >> GO TO 2.

2. CHECK COMBINATION SWITCH INPUT SIGNAL

Select "BCM" on CONSULT-II. With "HEAD LAMP" data monitor, make sure "HEAD LAMP SW 1" and "HEAD LAMP SW 2" turns ON-OFF linked with operation of lighting switch.

When lighting switch is OFF : HEAD LAMP SW 1 OFF position : HEAD LAMP SW 2 OFF

OK or NG

- OK >> Replace IPDM E/R.
- NG >> Check lighting switch. Refer to [LT-129, "Combination Switch Inspection"](#).

DATA MONITOR	
MONITOR	
HEAD LAMP SW 1	OFF
HEAD LAMP SW 2	OFF

HEADLAMP (FOR USA)

3. CHECKING CAN COMMUNICATIONS BETWEEN BCM AND IPDM E/R

Select "BCM" on CONSULT-II, and perform self-diagnosis for "BCM".

Display of self-diagnosis results

NO DTC>> Replace IPDM E/R.

CAN COMM CIRCUIT>> Refer to [BCS-14, "CAN Communication Inspection Using CONSULT-II \(Self-Diagnosis\)"](#).

SELF-DIAG RESULTS			
DTC RESULTS		TIME	
CAN COMM CIRCUIT [U1000]		PAST	
ERASE		PRINT	
MODE	BACK	LIGHT	COPY

SKIA1039E

HEADLAMP (FOR USA)

CAUTION:

AKS009IW

- Installation or removal of the connector must be done with the lighting switch OFF.
- When the lamp is illuminated (when the lighting switch is ON), do not touch the harness, HID control unit, inside of the lamp, or the lamp metal parts.
- To check illumination, temporarily install lamp in the vehicle. Be sure to connect power at the vehicle-side connector.
- If the error can be traced directly to the electrical system, first check for items such as burned-out fuses and fusible links, broken wires or loose connectors, pulled-out terminals, and improper connections.
- Do not work with wet hands.
- Using a tester for HID control unit circuit trouble diagnosis is prohibited.
- Disassembling the HID control unit or harnesses (bulb socket harness, ECM harness) is prohibited.
- Immediately after illumination, the light intensity and color will fluctuate, but there is nothing wrong.
- When the bulb has reached the end of its lifetime, the brightness may drop significantly, it may flash repeatedly, or the light may turn a reddish color.

Xenon Headlamp Trouble Diagnosis

AKS009IX

1. CHECK 1: XENON HEADLAMP LIGHTING

Install normal xenon bulb to corresponding xenon bulb headlamp, and check if lamp lights up.

OK or NG

- OK >> Replace xenon bulb.
- NG >> GO TO 2.

2. CHECK 2: XENON HEADLAMP LIGHTING

Install normal HID control unit to corresponding xenon headlamp, and check if lamp lights up.

OK or NG

- OK >> Replace HID control unit.
- NG >> GO TO 3.

3. CHECK 3: XENON HEADLAMP LIGHTING

Install normal xenon lamp housing assembly to corresponding xenon headlamp, and check if lamp lights up.

OK or NG

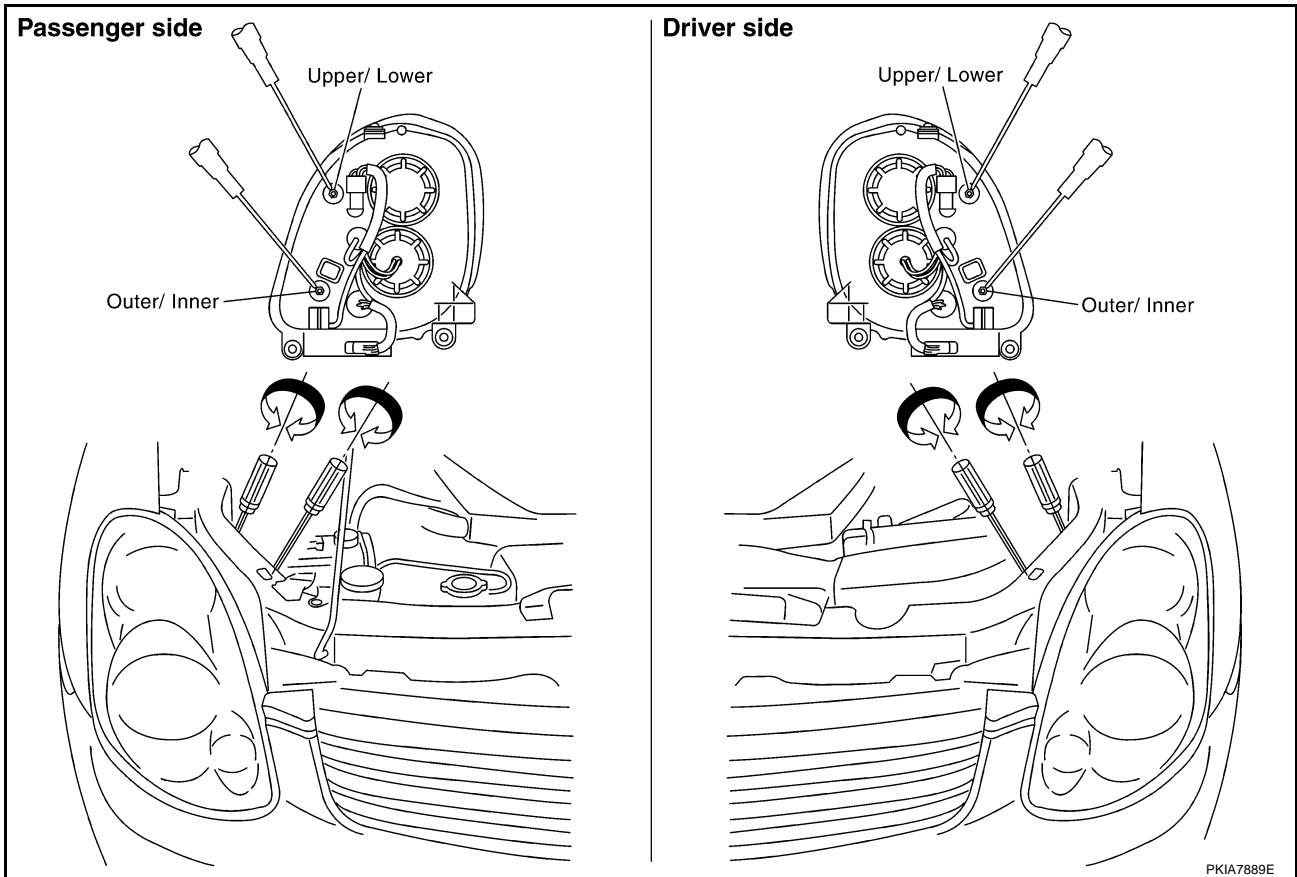
- OK >> Malfunction in starter (boosting circuit) in xenon headlamp housing. (Replace xenon headlamp housing assembly).
- NG >> INSPECTION END

A
B
C
D
E
F
G
H
I
J
LT
L
M

HEADLAMP (FOR USA)

Aiming Adjustment

AKS00517



PREPARATION BEFORE ADJUSTING

For details, refer to the regulations in your own country.

Before performing aiming adjustment, check the following.

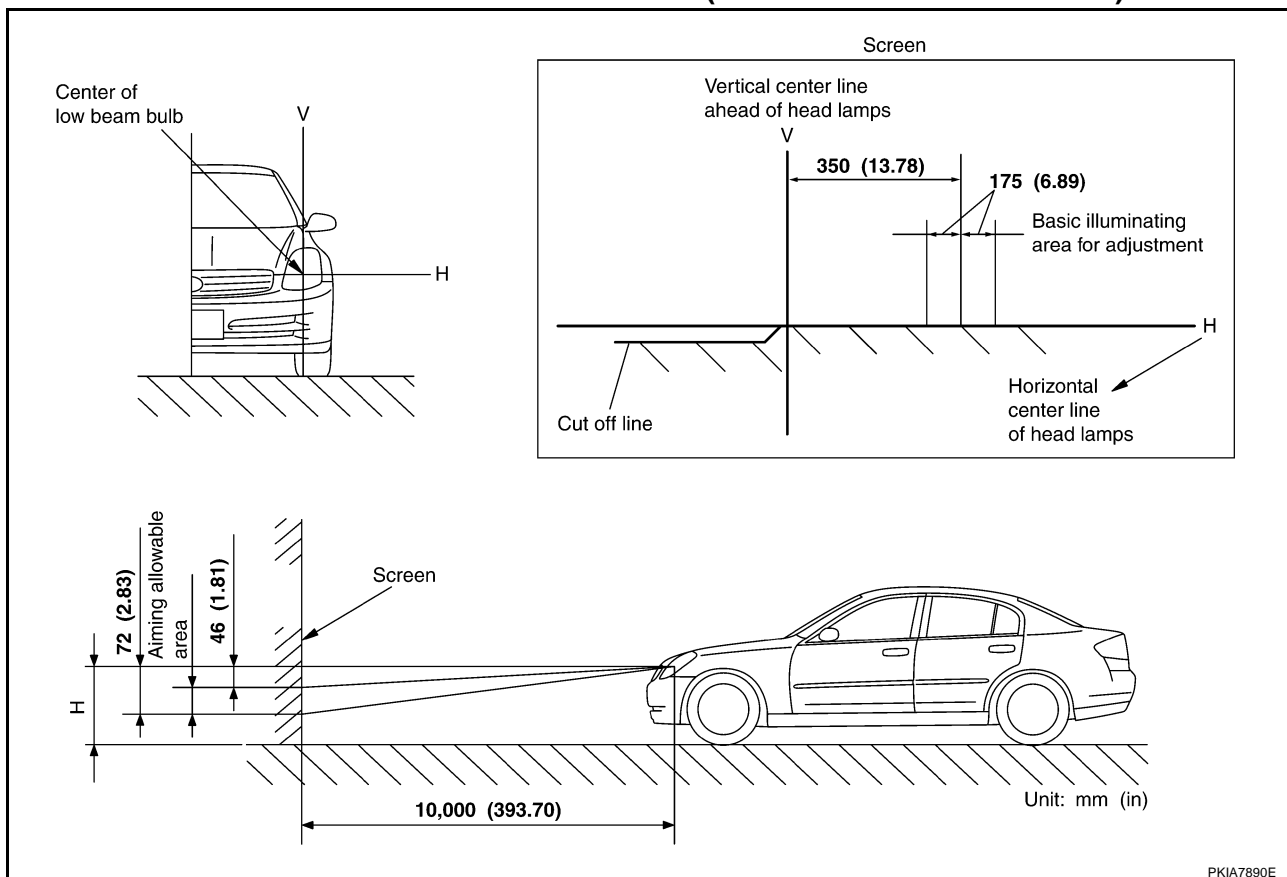
1. Keep all tires inflated to correct pressures.
2. Place vehicle on flat surface.
3. Set that there is no-load in vehicle other than the driver (or equivalent weight placed in driver's position). Coolant, engine oil filled up to correct level and full fuel tank.

LOW BEAM AND HIGH BEAM

1. Turn headlamp low beam on.
2. Use adjusting screws to perform aiming adjustment.

HEADLAMP (FOR USA)

ADJUSTMENT USING AN ADJUSTMENT SCREEN (LIGHT/DARK BORDERLINE)

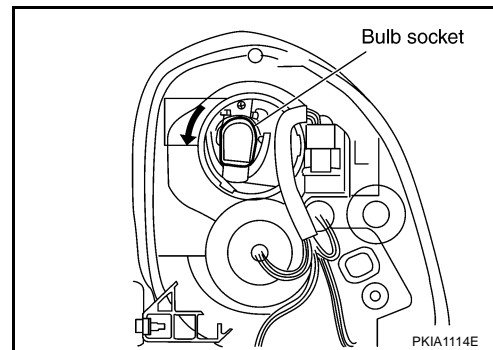


If the vehicle front body has been repaired and/or the headlamp assembly has been replaced, check aiming. Use the aiming chart shown in the figure.

- Basic illumination area for adjustment should be within the range shown on the aiming chart. Adjust headlamp accordingly.

Bulb Replacement HEADLAMP (UPPER) LOW BEAM (XENON)

1. Turn lighting switch OFF.
2. Disconnect negative battery cable or remove power fuse.
3. Remove headlamp. Refer to [LT-36, "Removal and Installation"](#).
4. Turn plastic cap counterclockwise and unlock it.
5. Turn bulb socket counterclockwise and unlock it.
6. Unlock retaining spring and remove bulb from headlamp.
7. Install in reverse order of removal.



HEADLAMP (UPPER) LOW BEAM (HALOGEN)

1. Turn lighting switch OFF.
2. Remove fender protector (front). Refer to [EI-22, "FENDER PROTECTOR"](#) in "EI" section.
3. Turn plastic cap counterclockwise and unlock it.
4. Disconnect bulb terminal.
5. Unlock retaining spring and remove bulb from headlamp.
6. Install in reverse order of removal.

HEADLAMP (FOR USA)

HEADLAMP (LOWER) HIGH BEAM/FOG LAMP

1. Turn lighting switch OFF.
2. Disconnect negative battery cable or remove power fuse.
3. Remove fender protector (front). Refer to [EI-22, "FENDER PROTECTOR"](#) in "EI" section.
4. Turn plastic cap counterclockwise and unlock it.
5. Disconnect bulb terminal.
6. Unlock retaining spring and remove bulb from headlamp.

PARKING LAMPS (CLEARANCE LAMPS)

1. Turn lighting switch OFF.
2. Remove fender protector (front). Refer to [EI-22, "FENDER PROTECTOR"](#) in "EI" section.
3. Turn bulb socket counterclockwise and unlock it.
4. Remove bulb from its socket.

FRONT TURN SIGNAL LAMP

1. Turn lighting switch OFF.
2. Remove fender protector (front). Refer to [EI-22, "FENDER PROTECTOR"](#) in "EI" section.
3. Turn bulb socket counterclockwise and unlock it.
4. Remove bulb from its socket.

Headlamp (upper) low beam (Xenon) : 12V - 35W (D2R)

Headlamp (upper) low beam (Halogen) : 12V - 55W (H1)

Headlamp (lower) high beam/Fog lamp : 12V - 60/55W (HB2)

Parking lamps (Clearance lamps) : 12V - 5W

Front turn signal lamp : 12V - 21W

CAUTION:

After installing bulb, be sure to install plastic cap and bulb socket securely to insure watertightness.

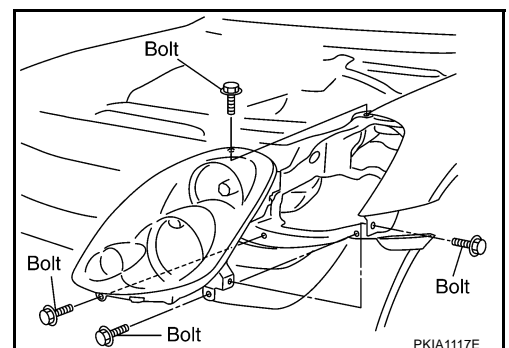
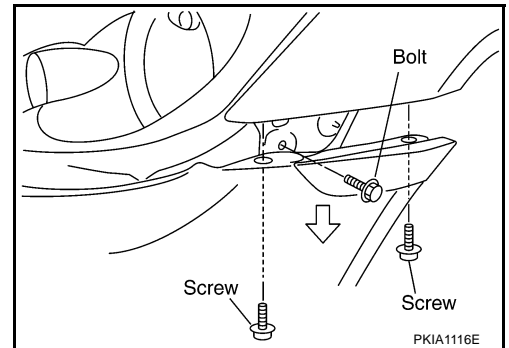
Removal and Installation

REMOVAL

1. Remove front grille. Refer to [EI-20, "FRONT GRILLE"](#) in "EI" section.
2. Remove front undercover and fender protector. Refer to [EI-22, "FENDER PROTECTOR"](#) in "EI" section.
3. Remove mounting clip on top of front bumper and screws on side of front bumper. Refer to [EI-14, "FRONT BUMPER"](#) in "EI" section.
4. Pull side of the front bumper toward the vehicle front and disengage it from clips on the body.
5. Remove headlamp mounting bolts.
6. Pull headlamp toward vehicle front, disconnect connector, and remove headlamp.

CAUTION:

When removing headlamps, put a shop cloth or something similar between headlamps and bumper to protect bumper.



HEADLAMP (FOR USA)

INSTALLATION

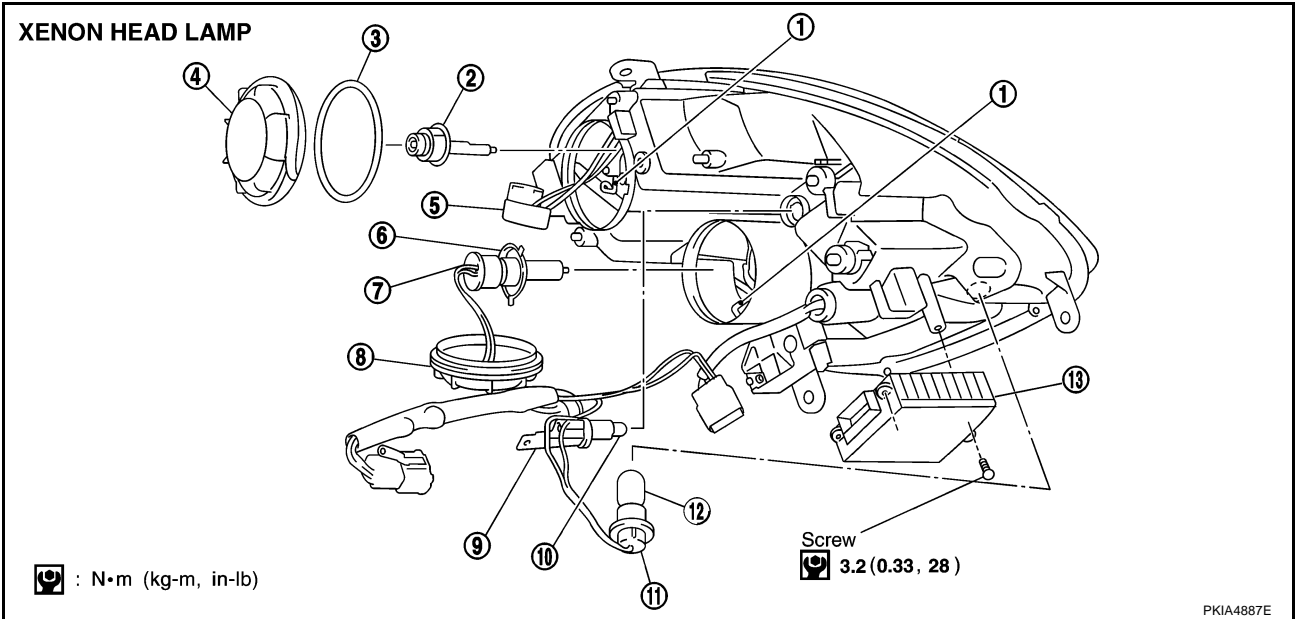
Install in the reverse order of removal. Be careful of the following:

Headlamp mounting bolt:

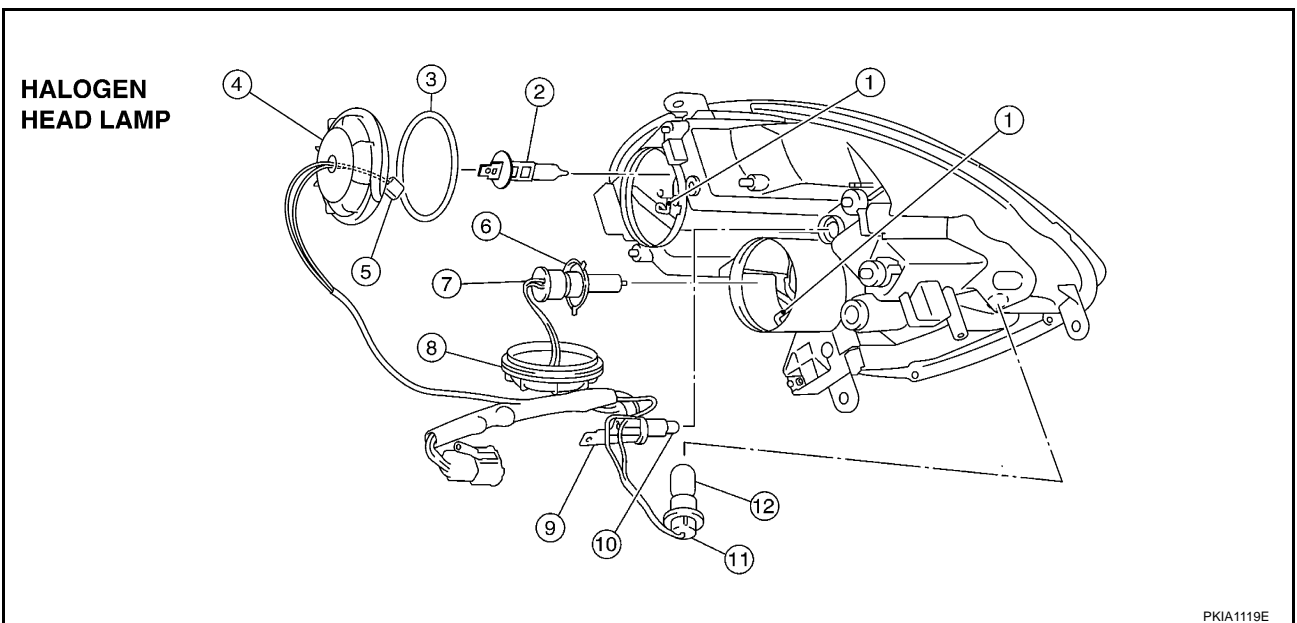
 : 5.5 N·m (0.56 kg·m, 49 in-lb)

Disassembly

AKS0051A



- | | | |
|--|--|--|
| 1. Retaining spring | 2. Xenon bulb | 3. Seal rubber |
| 4. Plastic cap (low) | 5. Xenon bulb socket | 6. Halogen bulb (high/fog) |
| 7. Halogen bulb socket | 8. Plastic cap (high/fog) | 9. Parking lamp (Clearance lamp) bulb socket |
| 10. Parking lamp (Clearance lamp) bulb | 11. Front turn signal lamp bulb socket | 12. Front turn signal lamp bulb |
| 13. HID C/U | | |



- | | | |
|-------------------------|--|---------------------------------|
| 1. Retaining spring | 2. Halogen bulb | 3. Seal rubber |
| 4. Plastic cap (low) | 5. Halogen bulb socket | 6. Halogen bulb (high/fog) |
| 7. Halogen bulb socket | 8. Resin cap (high/fog) | 9. Clearance lamp bulb socket |
| 10. Clearance lamp bulb | 11. Front turn signal lamp bulb socket | 12. Front turn signal lamp bulb |

A
B
C
D
E
F
G
H
J
J
LT
L
M

HEADLAMP (FOR USA)

1. Turn plastic cap (low) counterclockwise and unlock it.
2. Turn xenon bulb socket counterclockwise, and unlock it. (Xenon)
3. Unlock retaining spring, and remove xenon bulb (low). (Xenon)
4. Unlock retaining spring, and remove halogen bulb (low). (Halogen)
5. Disconnect HID control unit connector, and remove HID control unit screws. (Xenon)
6. Turn plastic cap (high/fog) counterclockwise, and unlock it.
7. Disconnect the terminal connected to the halogen bulb.
8. Unlock retaining spring, and remove halogen bulb (high/fog).
9. Turn clearance lamp bulb socket counterclockwise and unlock it.
10. Remove clearance lamp bulb from its socket.
11. Turn front turn signal lamp bulb socket counterclockwise and unlock it.
12. Remove front turn signal lamp bulb from its socket.

Assembly

AKS0051B

Assemble in reverse order of disassembly. Be careful of the following:

HID control unit:



: 3.2 N·m (0.33 kg·m, 28 in·lb)

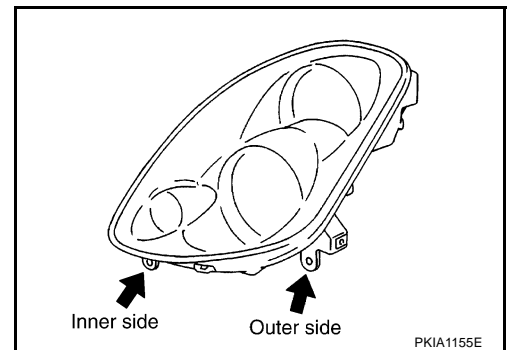
CAUTION:

- When HID control unit is removed, reinstall it securely and avoid any looseness.
- After installing bulb, be sure to install plastic cap and bulb socket securely to insure watertightness.

Servicing to Replace Headlamps When Damaged

AKS0051C

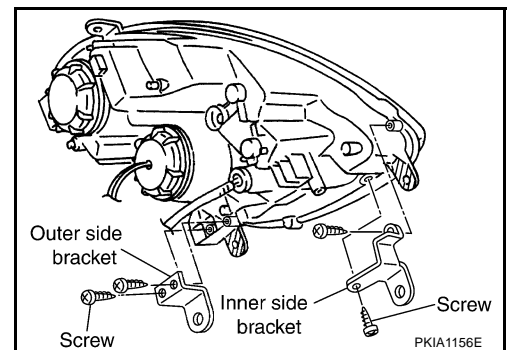
If only installation part as shown in the figure is damaged, and headlamp housing itself is not damaged, repair can be completed easily by installing correction brackets.



REMOVAL AND INSTALLATION

1. Remove headlamps. Refer to [LT-36, "Removal and Installation"](#).
2. Cut damaged section of installation part, then shape with sandpaper.
3. Attach each correction bracket to headlamp housing boss with 2 screws.

RH headlamp	Outer side	26040 AL510
	Inner side	26040 AL500
LH headlamp	Outer side	26040 AL510
	Inner side	26090 AL500



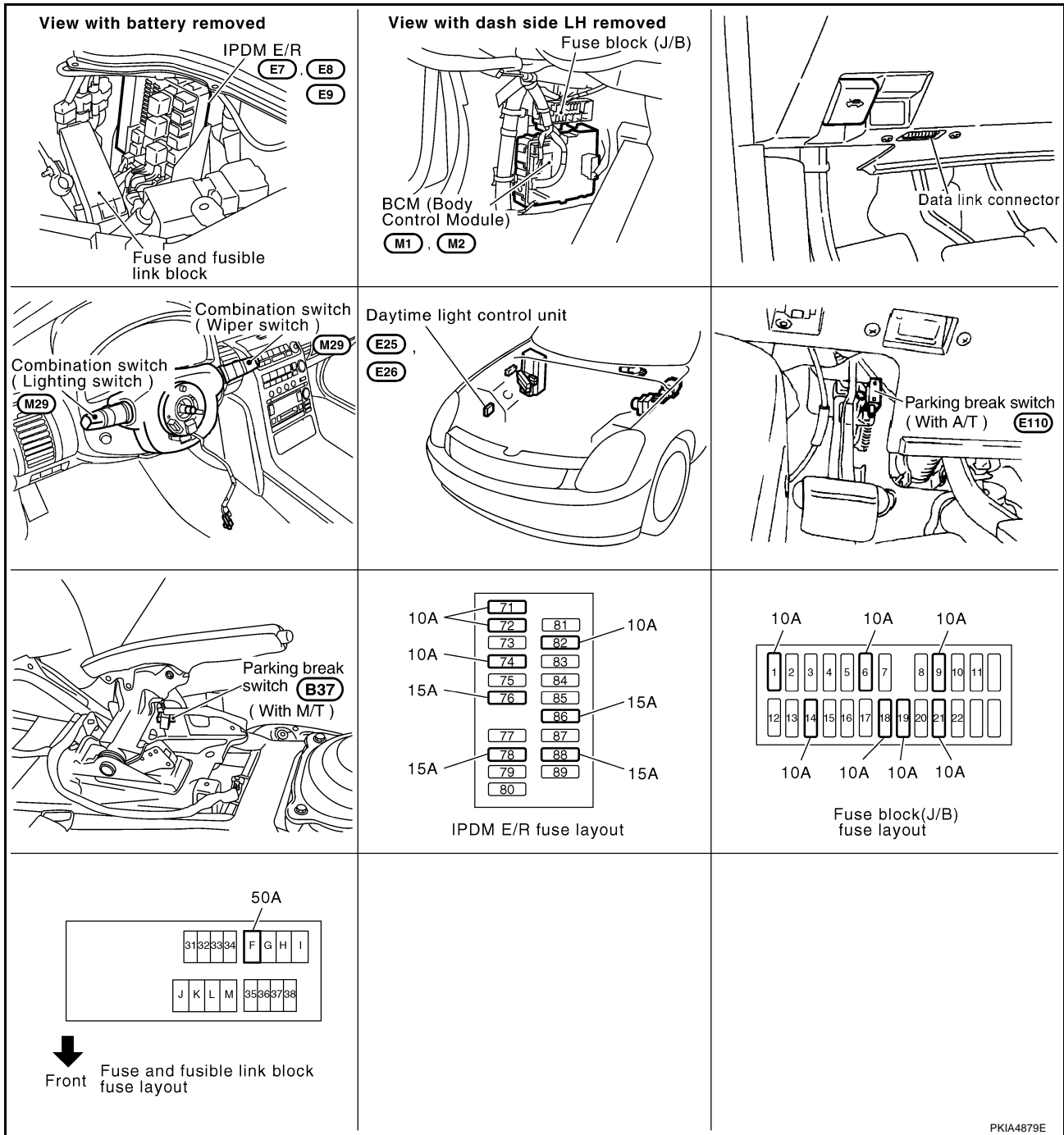
HEADLAMP (FOR CANADA) - DAYTIME LIGHT SYSTEM -

HEADLAMP (FOR CANADA) - DAYTIME LIGHT SYSTEM -

PPF:26010

Component Parts and Harness Connector Location

AKS004Q2



A
B
C
D
E
F
G
H
I
J
LT
L
M

PKIA4879E

System Description

AKS009IY

The headlamp system for Canada vehicles is equipped with a daytime light control unit that activates the high beam headlamps at approximately half illumination whenever the engine is running. If the parking brake is applied before the engine is started the daytime lights will not be illuminated. The daytime lights will illuminate once the parking brake is released. Thereafter, the daytime lights will continue to operate when the parking brake is applied.

And battery saver system is controlled by the BCM (body control module).

Power is supplied at all times

- to headlamp high relay [located in IPDM E/R (intelligent power distribution module engine room)]
- to headlamp low relay [located in IPDM E/R (intelligent power distribution module engine room)]
- to CPU (central processing unit) [located in IPDM E/R (intelligent power distribution module engine room)]

HEADLAMP (FOR CANADA) - DAYTIME LIGHT SYSTEM -

- through 15A fuse [No. 78, located in IPDM E/R (intelligent power distribution module engine room)] and 10A fuse [No. 71, located in IPDM E/R (intelligent power distribution module engine room)]
- to combination meter terminal 43
- through 10A fuse [No. 19, located in IPDM E/R (intelligent power distribution module engine room)]
- to daytime light control unit terminals 2 and 3
- through 10A fuse [No. 21, located in fuse block (J/B)].

Power is also supplied at all times

- to BCM (body control module) terminal 55
- through 50A fusible link [letter F, located in fuse and fusible link block].

With the ignition switch in the ON or START position, power is supplied

- to daytime light control unit terminal 12
- through 10A fuse [No. 82, located in IPDM E/R (intelligent power distribution module engine room)]
- to BCM (body control module) terminal 38
- through 10A fuse [No. 1, located in fuse block (J/B)]
- to CPU (central processing unit) [located in IPDM E/R (intelligent power distribution module engine room)]
- to combination meter terminals 41 and 42
- through 10A fuse [No. 14, located in fuse block (J/B)].

With the ignition switch in the ACC or ON position, power is supplied

- to BCM (body control module) terminal 11
- through 10A fuse [No. 6, located in fuse block (J/B)].

With the ignition switch in the START position, power is supplied

- to daytime light control unit terminal 1
- through 10A fuse [No. 9, located in fuse block (J/B)].

Ground is supplied

- to daytime light control unit terminal 9
- through grounds E17 and E43
- to BCM (body control module) terminal 52
- through grounds M30 and M66
- to IPDM E/R (intelligent power distribution module engine room) terminals 38 and 60
- through grounds E17 and E43
- to combination meter terminals 45 and 46
- through grounds M30 and M66.

HEADLAMP OPERATION

Low Beam Operation

With the lighting switch in 2ND position, the BCM receives input signal requesting the headlamps to illuminate. This input signal is communicated to the IPDM E/R across the CAN communication lines. The CPU in the IPDM E/R controls the headlamp low relay coil, which when energized, directs power

- to 15A fuse (No. 76, located in IPDM E/R)
- through IPDM E/R terminal 20
- to headlamp RH terminal 3 and
- to 15A fuse (No. 86, located in IPDM E/R)
- through IPDM E/R terminal 30
- to headlamp LH terminal 3.

Ground is supplied at all times

- to headlamp RH terminal 5
- through grounds E17 and E43, and
- to headlamp LH terminal 5
- through grounds E17 and E43.

With power and ground supplied, low beam headlamps illuminate.

HEADLAMP (FOR CANADA) - DAYTIME LIGHT SYSTEM -

High Beam Operation (When engine stopped)/Flash-to-Pass Operation

With the lighting switch in 2ND position and placed in HIGH or PASS position, the BCM receives input signal requesting the headlamp high beams to illuminate. This input signal is communicated to the IPDM E/R across the CAN communication lines. The CPU in the IPDM E/R controls the headlamp high relay coil and daytime light relay-2 turned on, which when energized, directs power

- to 10A fuse (No. 74, located in IPDM E/R)
- through IPDM E/R terminal 28
- to daytime light control unit terminal 5
- through daytime light control unit terminal 6
- to headlamp LH terminal 2
- to 10A fuse (No. 72, located in IPDM E/R)
- through IPDM E/R terminal 27
- to daytime light relay-2 terminal 2 and
- to daytime light control unit terminal 1
- to 10A fuse [No. 72, located in IPDM E/R]
- through IPDM E/R terminal 27
- to daytime light relay-2 terminal 5
- through daytime light relay-2 terminal 3
- to headlamp RH terminal 2.

Ground is supplied

- to daytime light relay-2 terminal 1
- through grounds E17 and E43
- to headlamp RH terminal 8
- through grounds E17 and E43
- to headlamp RH terminal 5
- through grounds E17 and E43
- to headlamp LH terminal 5
- through grounds E17 and E43
- to headlamp LH terminal 8
- through daytime light control unit terminal 7
- to daytime light control unit terminal 9
- through grounds E17 and E43.

When power and ground supplied, the high beam headlamps illuminate.

High beam indicator illuminates when combination meter receives input signal requesting high beam indicator to illuminate. This is communicated to BCM across the CAN communication lines.

COMBINATION SWITCH READING FUNCTION

Refer to [BCS-3, "COMBINATION SWITCH READING FUNCTION"](#) .

EXTERIOR LAMP BATTERY SAVER CONTROL

With the combination switch (lighting switch) is in the 2ND position (ON), and the ignition switch is turned from ON or ACC to OFF, the battery saver control function is activated.

Under this condition, the headlamps remain illuminated for 5 minutes, then the headlamps are turned off. Exterior lamp battery saver control made can be changed by the function setting of CONSULT-II.

AUTO LIGHT OPERATION (IF EQUIPPED)

For auto light operation, refer to [LT-72, "System Description"](#) in "AUTO LIGHT SYSTEM".

A
B
C
D
E
F
G
H
I
J
LT
L
M

HEADLAMP (FOR CANADA) - DAYTIME LIGHT SYSTEM -

DAYTIME LIGHT OPERATION

With the engine running, the lighting switch in the OFF or 1ST position and parking brake released, power is supplied

- through daytime light control unit terminal 6
- to headlamp LH terminal 2
- through headlamp LH terminal 8
- to daytime light control unit terminal 7
- through daytime light control unit terminal 8
- to headlamp RH terminal 2.

Ground is supplied

- to headlamp RH terminal 8
- through grounds E17 and E43, and
- to daytime light control unit terminal 9
- through grounds E17 and E43.

Because the high beam headlamps are now wired in series, they operate at half illumination.

If the lighting switch is in the HIGH position, daytime light operation is canceled. On this occasion, power is supplied

- through IPDM E/R terminal 27
- to daytime light control unit terminal 1.

Daytime light control unit is canceled power supplying from headlamp RH terminal 8 to terminal 2 (series power supplying is canceled). And then high beam is ON.

OPERATION

After starting the engine with the lighting switch in the "OFF" or 1ST position, the headlamp high beam automatically turns on. Lighting switch operations other than the above are the same as conventional light systems.

Engine		With engine stopped												With engine running											
Lighting switch		OFF				1ST				2ND				OFF				1ST				2ND			
		Hi	Lo	P	F	Hi	Lo	P	F	Hi	Lo	P	F	Hi	Lo	P	F	Hi	Lo	P	F	Hi	Lo	P	F
Head-lamp	High beam	-	-	x	-	-	-	x	-	x	-	x	-	● *	● *	x	-	● *	● *	x	-	x	-	x	-
	Low beam	-	-	x	-	-	-	x	-	x	x	x	x	-	-	x	-	-	-	x	-	x	x	x	x
Tail lamp		-	-	-	-	x	x	x	x	x	x	x	x	-	-	-	-	x	x	x	x	x	x	x	x
License plate and instrument illumination lamp		-	-	-	-	x	x	x	x	x	x	x	x	-	-	-	-	x	x	x	x	x	x	x	x

- Hi: "HIGH BEAM" position
- Lo: "LOW BEAM" position
- P: "FLASH TO PASS" position
- F: "FOG LAMP" SW is ON
- x: Lamp "ON"
- -: Lamp "OFF"
- ●: Lamp dims. (Added functions)
- *: When starting the engine with the parking brake released, the daytime light will come ON.
When starting the engine with the parking brake pulled, the daytime light will not come ON.

XENON HEADLAMP

Xenon type headlamp is adopted to the low beam headlamps. Xenon bulbs do not use a filament. Instead, they produce light when a high voltage current is passed between two tungsten electrodes through a mixture of xenon (an inert gas) and certain other metal halides. In addition to added lighting power, electronic control of the power supply gives the headlamps stable quality and tone color.

HEADLAMP (FOR CANADA) - DAYTIME LIGHT SYSTEM -

Following are some of the many advantages of the xenon type headlamp.

- The light produced by the headlamps is a white color comparable to sunlight that is easy on the eyes. A
- Light output is nearly double that of halogen headlamps, affording increased area of illumination. B
- The light features a high relative spectral distribution at wavelengths to which the human eye is most sensitive. This means that even in the rain, more light is reflected back from the road surface toward the vehicle, for added visibility. B
- Power consumption is approximately 25 percent less than halogen headlamps, reducing battery load. C

CAN Communication System Description

AKS004Q4

CAN (Controller Area Network) is a serial communication line for real time application. It is an on-vehicle multiplex communication line with high data communication speed and excellent error detection ability. Many electronic control units are equipped onto a vehicle, and each control unit shares information and links with other control units during operation (not independent). In CAN communication, control units are connected with 2 communication lines (CAN H line, CAN L line) allowing a high rate of information transmission with less wiring. Each control unit transmits/receives data but selectively reads required data only. E

CAN Communication Unit

AKS0093K

Refer to [LAN-4, "CAN Communication Unit"](#) . F

G

H

I

J

LT

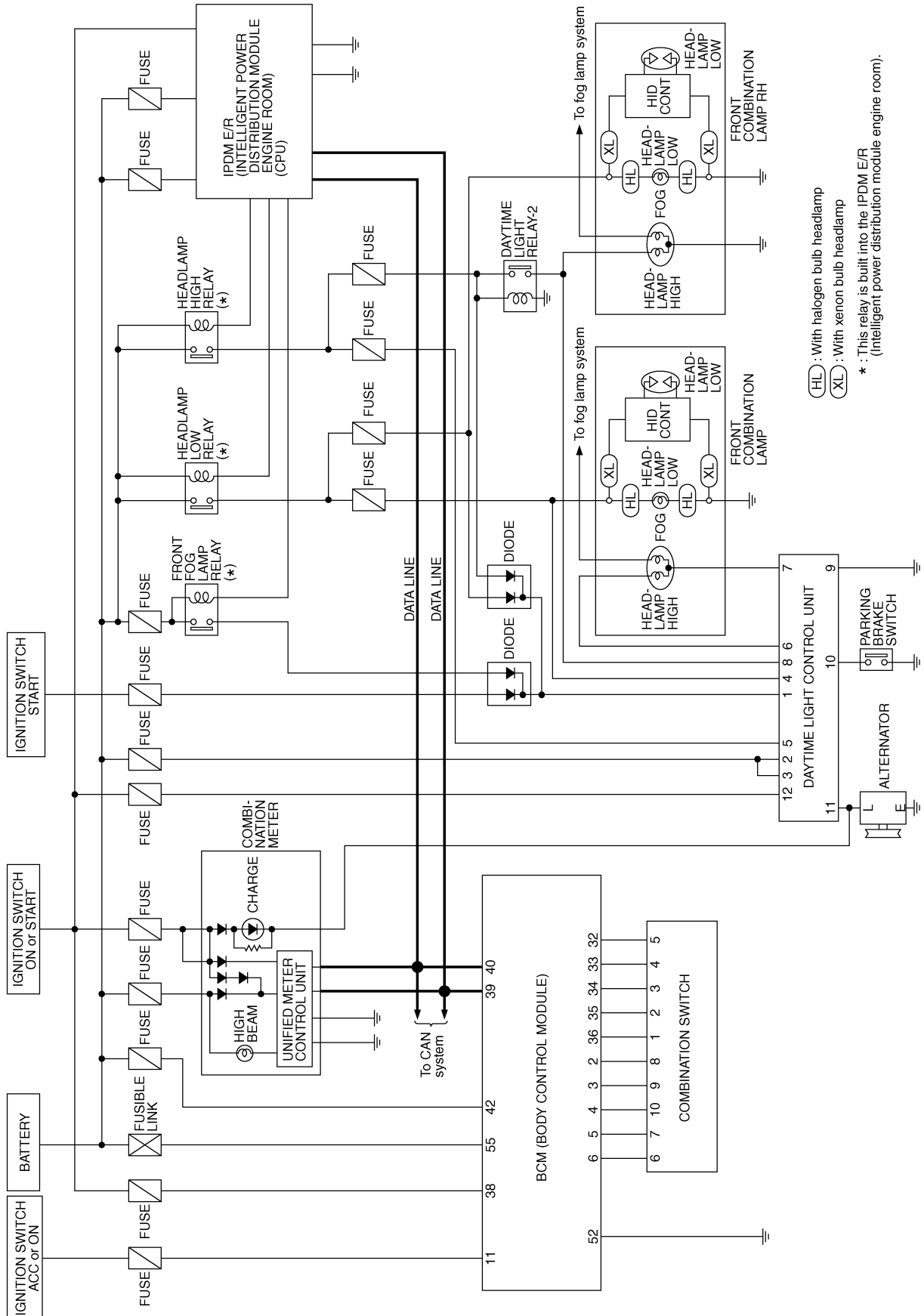
L

M

HEADLAMP (FOR CANADA) - DAYTIME LIGHT SYSTEM -

Schematic

AKS004Q6



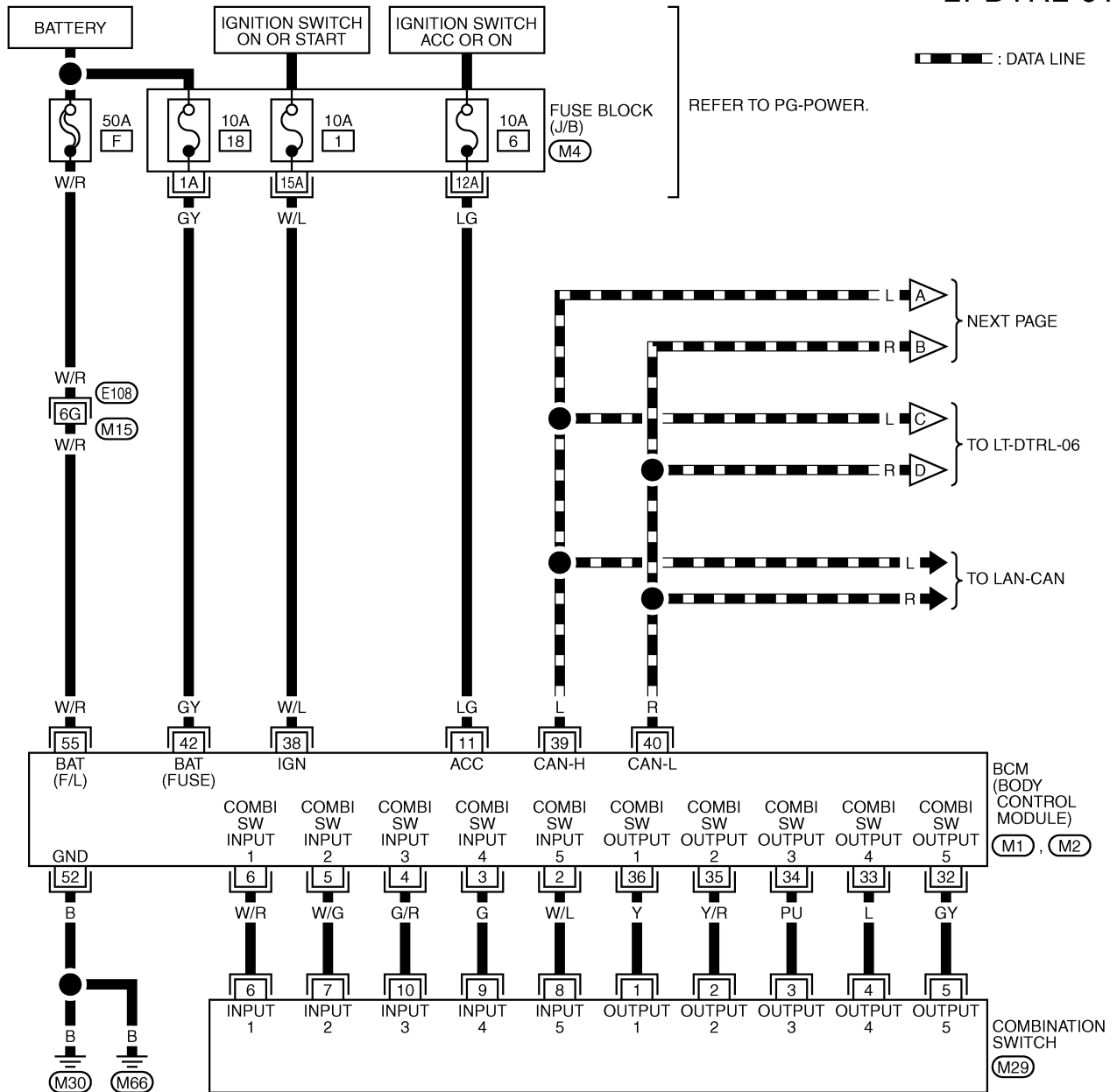
(HL) : With halogen bulb headlamp
 (XL) : With xenon bulb headlamp
 * : This relay is built into the IPDM E/R (intelligent power distribution module engine room).

HEADLAMP (FOR CANADA) - DAYTIME LIGHT SYSTEM -

Wiring Diagram — DTRL —

AKS0091T

LT-DTRL-01



7	8	9	10	13	12
6	5	4	3	2	1

(M29)
W

REFER TO THE FOLLOWING.

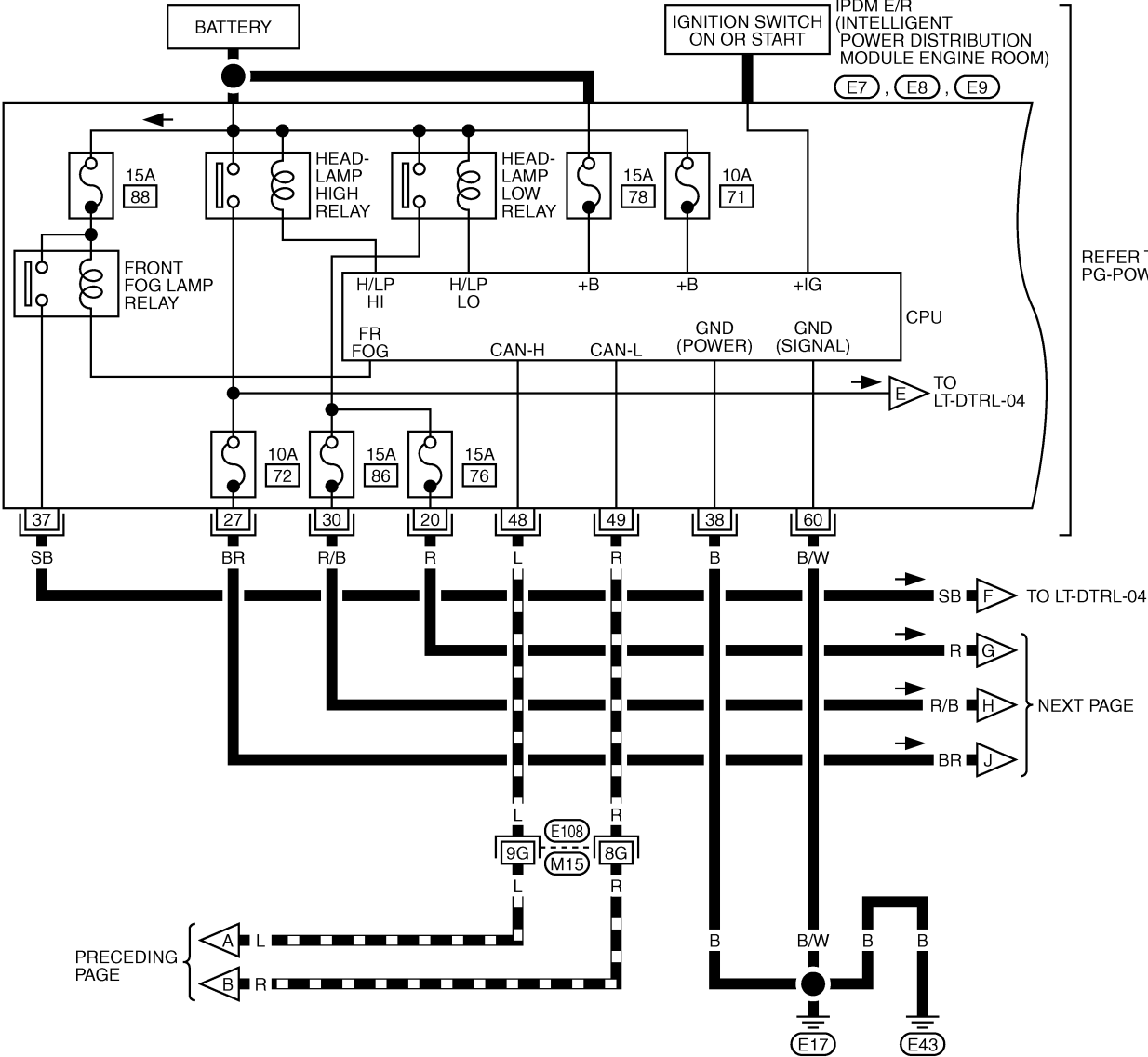
- (E108) -SUPER MULTIPLE JUNCTION (SMJ)
- (M4) -FUSE BLOCK-JUNCTION BOX (J/B)
- (M1), (M2) -ELECTRICAL UNITS

TKWT1409E

HEADLAMP (FOR CANADA) - DAYTIME LIGHT SYSTEM -

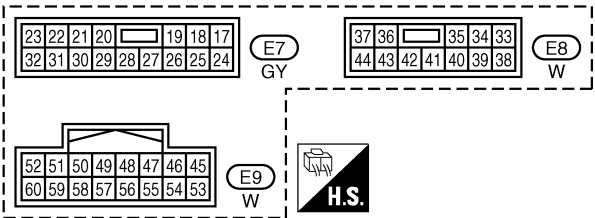
LT-DTRL-02

▬ : DATA LINE



REFER TO PG-POWER.

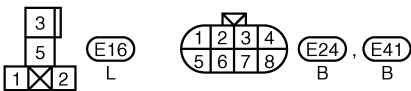
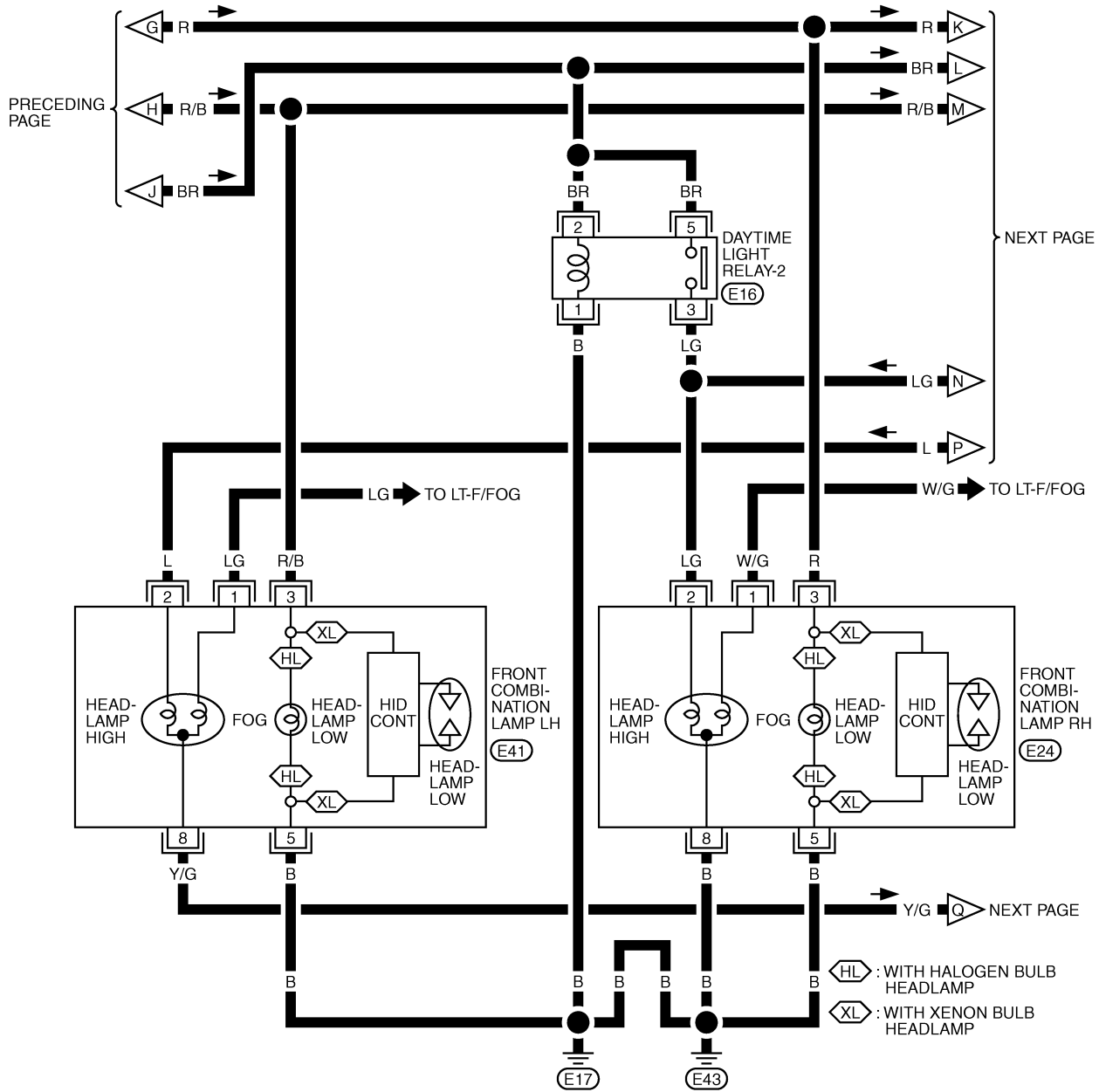
NEXT PAGE



REFER TO THE FOLLOWING.
 (E108) -SUPER MULTIPLE JUNCTION (SMJ)

HEADLAMP (FOR CANADA) - DAYTIME LIGHT SYSTEM -

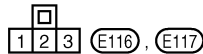
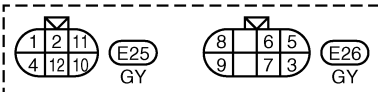
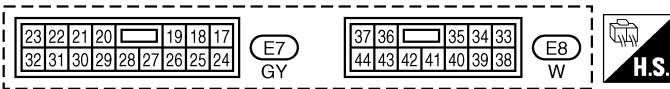
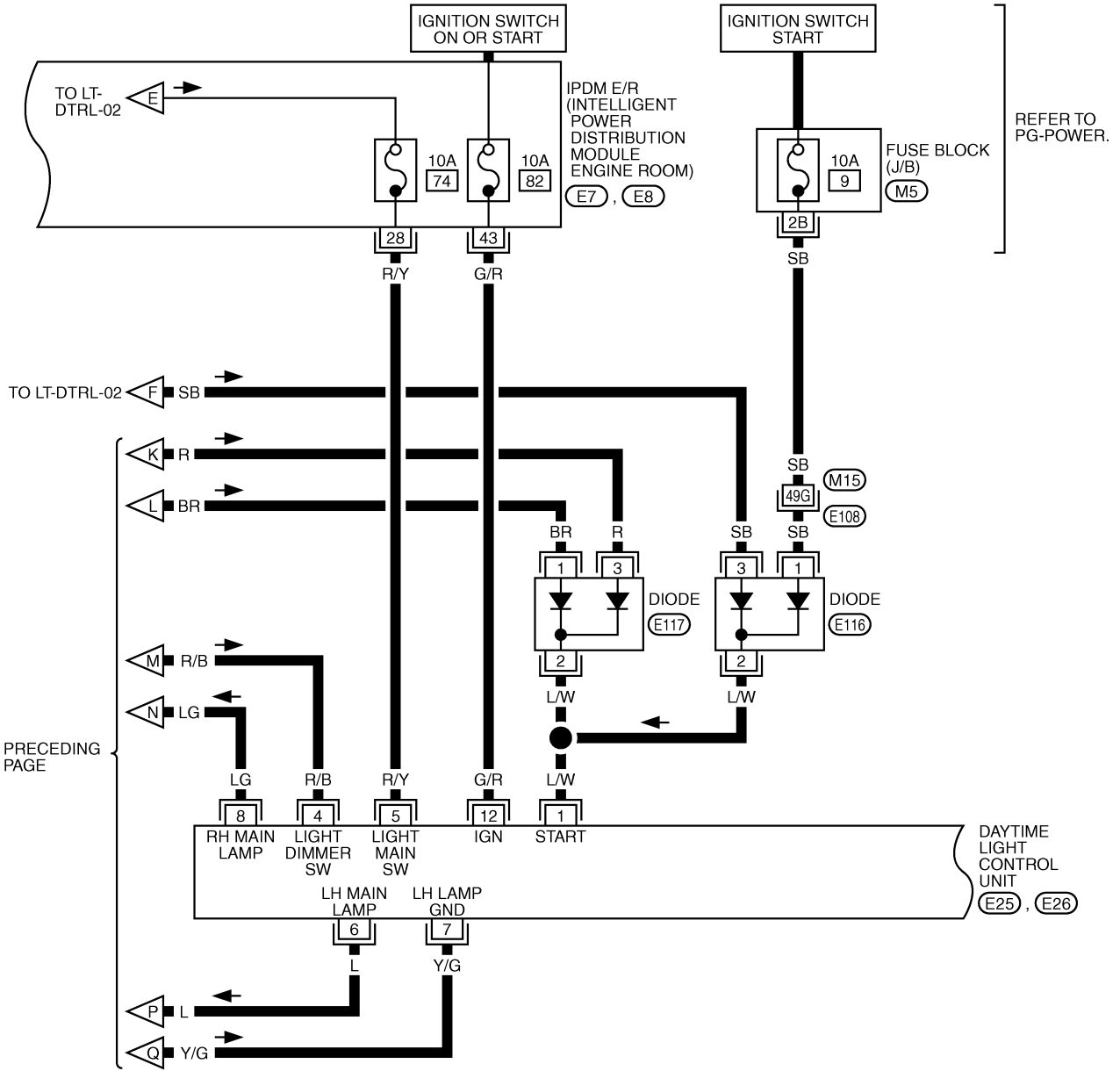
LT-DTRL-03



TKWT1411E

HEADLAMP (FOR CANADA) - DAYTIME LIGHT SYSTEM -

LT-DTRL-04



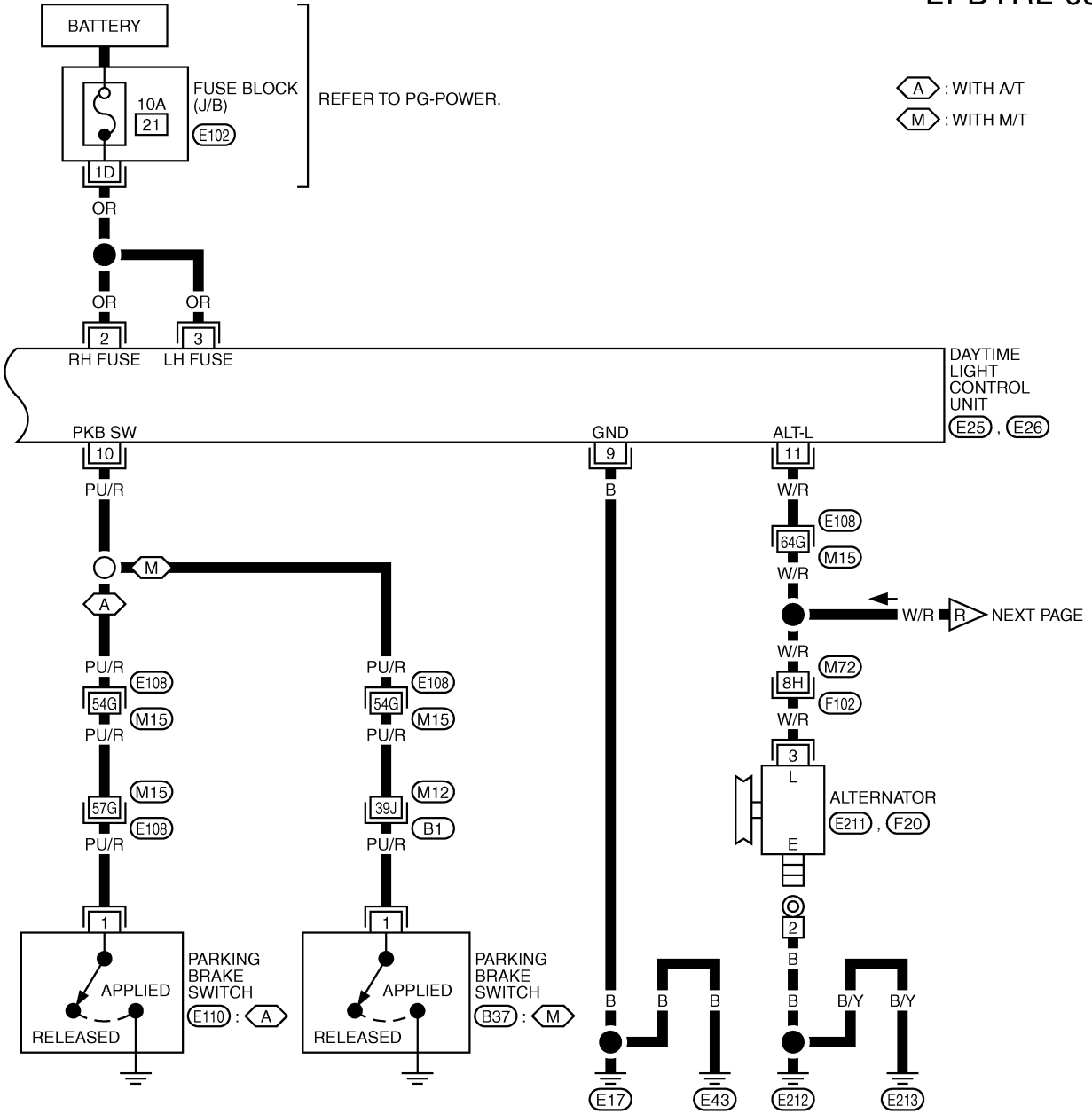
REFER TO THE FOLLOWING.

- (E108) -SUPER MULTIPLE JUNCTION (SMJ)
- (M5) -FUSE BLOCK-JUNCTION BOX (J/B)

TKWT1412E

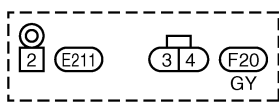
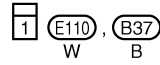
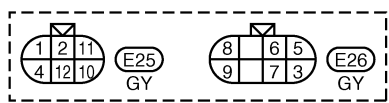
HEADLAMP (FOR CANADA) - DAYTIME LIGHT SYSTEM -

LT-DTRL-05



⬡ : WITH A/T
⬢ : WITH M/T

A
B
C
D
E
F
G
H
I
J
LT
L
M

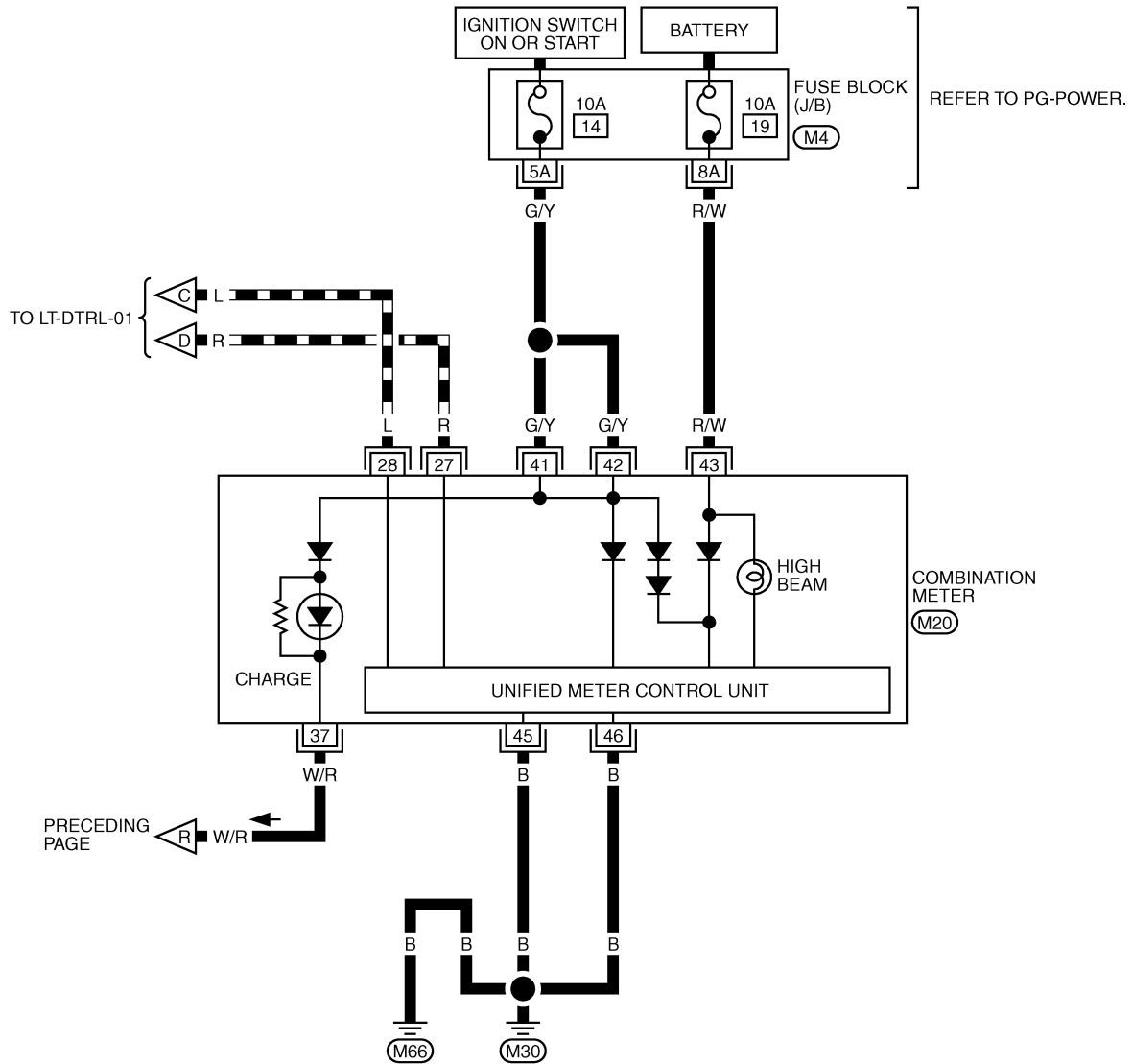


REFER TO THE FOLLOWING.
 (E108), (F102), (B1) -SUPER MULTIPLE JUNCTION (SMJ)
 (E102) -FUSE BLOCK-JUNCTION BOX (J/B)

HEADLAMP (FOR CANADA) - DAYTIME LIGHT SYSTEM -

LT-DTRL-06

▬ : DATA LINE



25	26	27	28	29	30	31	32	33	34	35		
36	37	38	39	40	41	42	43	44	45	46	47	48

(M20)
W

REFER TO THE FOLLOWING.
(M4) - FUSE BLOCK-JUNCTION BOX (J/B)

TKWT1414E

HEADLAMP (FOR CANADA) - DAYTIME LIGHT SYSTEM -

Terminals and Reference Value for Daytime Light Control Unit

AKS00AAV

Terminal No.	Wire color	Item	Condition	Reference value
1	L/W	Start signal	When turning ignition switch to "START"	Battery voltage
			When turning ignition switch to "ON" from "START"	Approx.0V
			When turning ignition switch to "OFF"	Approx.0V
2	OR	RH light fuse	—	Battery voltage
3	OR	LH light fuse	—	Battery voltage
4	R/B	Lighting switch (Low beam)	When turning lighting switch is turned the 2ND position "LOW BEAM" position.	Battery voltage
5	R/Y	Lighting switch (Hi beam)	When turning lighting switch is turned the 2ND position "HI BEAM" position	Battery voltage
6	L	LH Hi beam	When lighting switch is turned to the 2ND position with "HI BEAM" or "FLASH TO PASS" position	Battery voltage
			When releasing parking brake with engine running and turning lighting switch to "OFF" (daytime light operation) CAUTION: Block wheels and ensure selector lever is in N or P position.	Battery voltage
7	Y/G	LH Hi beam (Ground)	When turning lighting switch to the 2ND position with "HI BEAM" or "FLASH TO PASS" position	Approx.0V
			When releasing parking brake with engine running and turning lighting switch to "OFF" (daytime light operation) CAUTION: Block wheels and ensure selector lever is in N or P position.	Approx.0V
8	LG	RH Hi beam	When lighting switch is turned to the 2ND position with "HI BEAM" or "FLASH TO PASS" position	Battery voltage
			When releasing parking brake with engine running and turning lighting switch to "OFF" (daytime light operation) CAUTION: Block wheels and ensure selector lever is in N or P position.	Battery voltage
9	B	Ground	—	—
10	PU/R	Parking brake switch	When parking brake is released	Battery voltage
			When parking brake is applied	Approx.0V
11	W/R	Alternator	When turning ignition switch to "ON"	Approx.0V
			When engine is running	Battery voltage
			When turning ignition switch to "OFF"	Approx.0V
12	G/R	Ignition power supply	When turning ignition switch to "ON"	Battery voltage

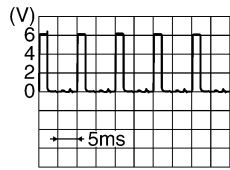
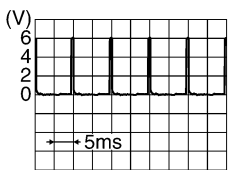
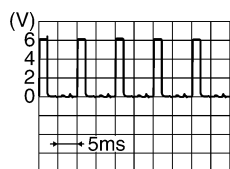
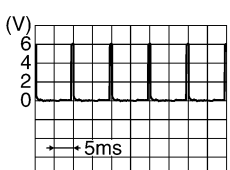
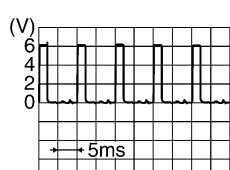

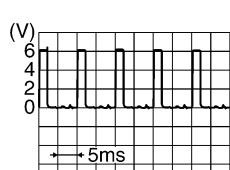
A
B
C
D
E
F
G
H
I
J
L
M

LT

HEADLAMP (FOR CANADA) - DAYTIME LIGHT SYSTEM -

Terminals and Reference Values for BCM

AKS009IZ

Terminal No.	Wire color	Signal name	Measuring condition		Reference value
			Ignition switch	Operation or condition	
2	W/L	Combination switch input 5	ON	Lighting, turn, wiper OFF Wiper dial position 4	 <p style="text-align: right;">SKIA5291E</p>
3	G	Combination switch input 4	ON	Lighting, turn, wiper OFF Wiper dial position 4	 <p style="text-align: right;">SKIA5292E</p>
4	G/R	Combination switch input 3	ON	Lighting, turn, wiper OFF Wiper dial position 4	 <p style="text-align: right;">SKIA5291E</p>
5	W/G	Combination switch input 2	ON	Lighting, turn, wiper OFF Wiper dial position 4	 <p style="text-align: right;">SKIA5292E</p>
6	W/R	Combination switch input 1			
11	LG	Ignition switch (ACC)	ACC	—	Battery voltage
32	GY	Combination switch output 5	ON	Lighting, turn, wiper OFF Wiper dial position 4	 <p style="text-align: right;">SKIA5291E</p>
33	L	Combination switch output 4	ON	Lighting, turn, wiper OFF Wiper dial position 4	 <p style="text-align: right;">SKIA5292E</p>
34	PU	Combination switch output 3	ON	Lighting, turn, wiper OFF Wiper dial position 4	 <p style="text-align: right;">SKIA5291E</p>

HEADLAMP (FOR CANADA) - DAYTIME LIGHT SYSTEM -

Terminal No.	Wire color	Signal name	Measuring condition		Reference value
			Ignition switch	Operation or condition	
35	Y/R	Combination switch output 2	ON	Lighting, turn, wiper OFF Wiper dial position 4	
36	Y	Combination switch output 1			
38	W/L	Ignition switch (ON)	ON	—	Battery voltage
39	L	CAN- H	—	—	—
40	R	CAN- L	—	—	—
42	GY	Battery power supply	OFF	—	Battery voltage
52	B	Ground	ON	—	Approx. 0V
55	W/R	Battery power supply	OFF	—	Battery voltage

Terminals and Reference Values for IPDM E/R

AKS00AAW

Terminal No.	Wire color	Signal name	Measuring condition		Reference value	
			Ignition switch	Operation or condition		
20	R	Headlamp low (RH)	ON	Lighting switch 2ND position	OFF	Approx. 0V
					ON	Battery voltage
27	BR	Headlamp high (RH)	ON	Lighting switch HIGH or PASS position	OFF	Approx. 0V
					ON	Battery voltage
28	R/Y	Headlamp high (LH)	ON	Lighting switch HIGH or PASS position	OFF	Approx. 0V
					ON	Battery voltage
30	R/B	Headlamp low (LH)	ON	Lighting switch 2ND position	OFF	Approx. 0V
					ON	Battery voltage
37	SB	Front fog lamp	ON	Lighting switch must be in the 2ND position or AUTO position (LOW beam is ON) and the front fog lamp switch must be ON	OFF	Approx. 0V
					ON	Battery voltage
38	B	Ground	ON	—	Approx. 0V	
43	G/R	Ignition power supply	ON	When turning ignition switch to "ON"	Battery voltage	
48	L	CAN- H	—	—	—	
49	R	CAN- L	—	—	—	
60	B/W	Ground	ON	—	Approx. 0V	

How to Proceed With Trouble Diagnosis

AKS009J0

1. Confirm the symptom or customer complaint.
2. Understand operation description and function description. Refer to [LT-39, "System Description"](#) .
3. Perform the preliminary check. Refer to [LT-54, "Preliminary Check"](#) .
4. Check symptom and repair or replace the cause of malfunction.
5. Does the headlamp operate normally? If YES: GO TO 6. If NO: GO TO 4.
6. INSPECTION END

HEADLAMP (FOR CANADA) - DAYTIME LIGHT SYSTEM -

AKS009J1

Preliminary Check CHECK POWER SUPPLY AND GROUND CIRCUIT

1. CHECK FUSES

- Check fuses for blown fuses.

Unit	Power source	Fuse and fusible link No.
BCM	Battery	F
		18
	Ignition switch ON or START position	1
	Ignition switch ACC or ON position	6
IPDM E/R	Battery	71
		74
		78
		88
	Ignition switch ON or START position	82
DAYTIME LIGHT CONTROL UNIT	Battery	21
	Ignition switch START position	9

Refer to [LT-45, "Wiring Diagram — DTRL —"](#) .

OK or NG

OK >> GO TO 2.

NG >> If fuse is blown, be sure to eliminate cause of malfunction before installing new fuse. Refer to [PG-3, "POWER SUPPLY ROUTING CIRCUIT"](#) .

2. CHECK POWER SUPPLY CIRCUIT

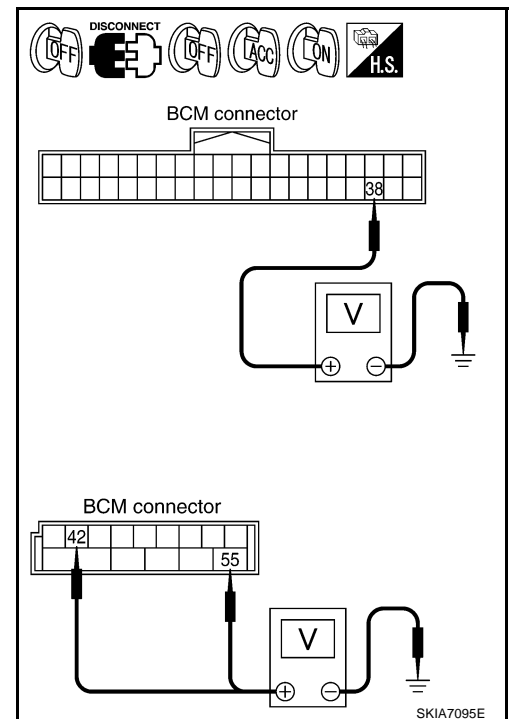
1. Turn ignition switch OFF.
2. Disconnect BCM connector.
3. Check voltage between BCM harness connector and ground.

Terminals		Ignition switch position		
(+)		(-)	OFF	ON
Connector	Terminal (Wire color)		OFF	ON
M1	38 (W/L)	Ground	0V	Battery voltage
M2	42 (GY)		Battery voltage	Battery voltage
	55 (W/R)		Battery voltage	Battery voltage

OK or NG

OK >> GO TO 3.

NG >> Check harness for open or short between BCM and fuse.



HEADLAMP (FOR CANADA) - DAYTIME LIGHT SYSTEM -

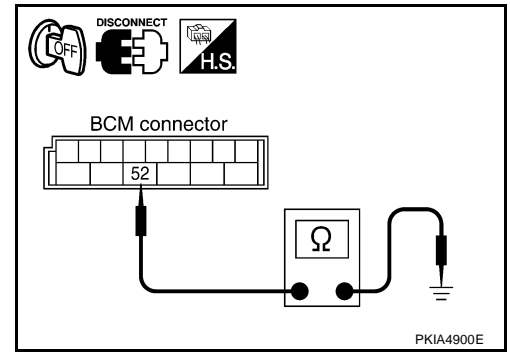
3. CHECK GROUND CIRCUIT

Check continuity between BCM harness connector and ground.

Terminals			Continuity
Connector	Terminal (Wire color)	Ground	
M2	52 (B)	Ground	Yes

OK or NG

- OK >> INSPECTION END
- NG >> Check ground circuit harness.



CONSULT-II Functions (BCM)

- CONSULT-II performs the following functions communicating with BCM.

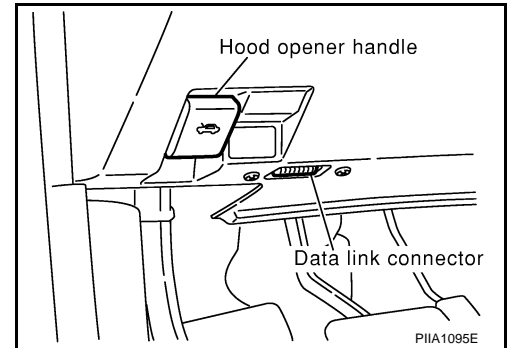
BCM diagnosis part	Check item, diagnosis mode	Description
HEAD LAMP	WORK SUPPORT	Changes the setting for each function.
	DATA MONITOR	Displays BCM input data in real time.
	ACTIVE TEST	Operation of electrical loads can be checked by sending drive signal to them.
BCM	CAN DIAG SUPPORT MNTR	The result of transmit/receive diagnosis of CAN communication can be read.

CONSULT-II BASIC OPERATION

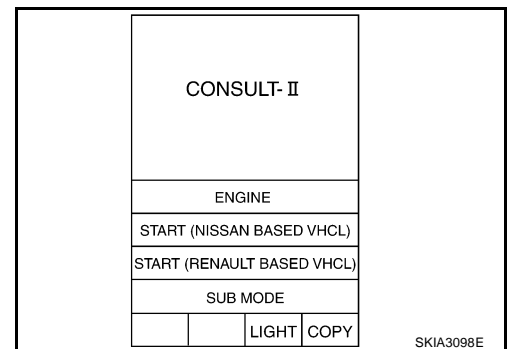
CAUTION:

If CONSULT-II is used with no connection of CONSULT-II CONVERTER, malfunctions might be detected in self-diagnosis depending on control unit which carry out CAN communication.

1. With the ignition switch OFF, connect CONSULT-II and CONSULT-II CONVERTER to the data link connector, then turn ignition switch ON.

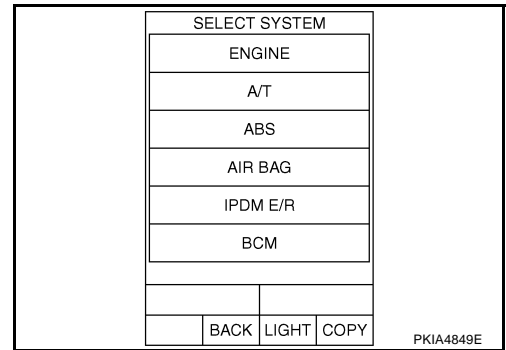


2. Touch "START (NISSAN BASED VHCL)".

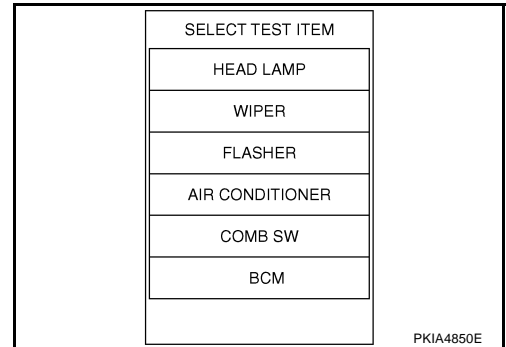


HEADLAMP (FOR CANADA) - DAYTIME LIGHT SYSTEM -

3. Touch "BCM" on "SELECT SYSTEM" screen.
If "BCM" is not indicated, refer to [GI-38, "CONSULT-II Data Link Connector \(DLC\) Circuit"](#).



4. Touch "HEAD LAMP" on "SELECT TEST ITEM" screen.



WORK SUPPORT

Operation Procedure

1. Touch "HEAD LAMP" on "SELECT TEST ITEM" screen.
2. Touch "WORK SUPPORT" on "SELECT DIAG MODE" screen.
3. Touch item on "SELECT WORK ITEM" screen.
4. Touch "START".
5. Touch "CHANGE SET".
6. The setting will be changed and "CUSTOMIZING COMPLETED" will be displayed.
7. Touch "END".

Display Item List

Item	Description	CONSULT-II	Factory setting
BATTERY SAVER SET	Exterior lamp battery saver control mode can be changed in this mode. Selects exterior lamp battery saver control mode between two ON/OFF.	ON	×
		OFF	—

DATA MONITOR

Operation Procedure

1. Touch "HEAD LAMP" on "SELECT TEST ITEM" screen.
2. Touch "DATA MONITOR" on "SELECT DIAG MODE" screen.
3. Touch either "ALL SIGNALS" or "SELECTION FROM MENU" on "DATA MONITOR" screen.

ALL SIGNALS	Monitors all the signals.
SELECTION FROM MENU	Selects and monitors individual signal.

4. Touch "START".
5. When "SELECTION FROM MENU" is selected, touch individual items to be monitored. When "ALL SIGNALS" is selected, all the items will be monitored.
6. Touch "RECORD" while monitoring, then the status of the monitored item can be recorded. To stop recording, touch "STOP".

HEADLAMP (FOR CANADA) - DAYTIME LIGHT SYSTEM -

Display Item List

Monitor item		Contents
IGN ON SW	"ON/OFF"	Displays "IGN position (ON)/OFF, ACC position (OFF)" judged from the ignition switch signal.
ACC ON SW	"ON/OFF"	Displays "ACC (ON)/OFF, Ignition OFF (OFF)" status judged from ignition switch signal.
HI BEAM SW	"ON/OFF"	Displays status (high beam switch: ON/Others: OFF) of high beam switch judged from lighting switch signal.
HEAD LAMP SW 1	"ON/OFF"	Displays status (headlamp switch 1: ON/Others: OFF) of headlamp switch 2 judged from lighting switch signal.
HEAD LAMP SW 2	"ON/OFF"	Displays status (headlamp switch 2: ON/Others: OFF) of headlamp switch 2 judged from lighting switch signal.
LIGHT SW 1 ST	"ON/OFF"	Displays status (lighting switch 1st position: ON/Others: OFF) of lighting switch judged from lighting switch signal.
AUTO LIGHT SW	"ON/OFF"	Displays status of the lighting switch as judged from the lighting switch signal. (AUTO position: ON/Other than AUTO position: OFF)
PASSING SW	"ON/OFF"	Displays status (flash-to-pass switch: ON/Others: OFF) of flash-to-pass switch judged from lighting switch signal.
FR FOG SW	"ON/OFF"	Displays status (front fog lamp switch: ON/Others: OFF) of front fog lamp switch judged from lighting switch signal.
DOOR SW - DR	"ON/OFF"	Displays status of the driver door as judged from the driver door switch signal. (Door is open: ON/Door is closed: OFF)
DOOR SW - AS	"ON/OFF"	Displays status of the passenger door as judged from the passenger door switch signal. (Door is open: ON/Door is closed: OFF)
DOOR SW - RR	"ON/OFF"	Displays status of the rear door as judged from the rear door switch (RH) signal. (Door is open: ON/Door is closed: OFF)
DOOR SW - RL	"ON/OFF"	Displays status of the rear door as judged from the rear door switch (LH) signal. (Door is open: ON/Door is closed: OFF)
BACK DOOR SW ^{Note 1}	"OFF"	—
TURN SIGNAL R	"ON/OFF"	Displays status (Turn right: ON/Others: OFF) as judged from lighting switch signal.
TURN SIGNAL L	"ON/OFF"	Displays status (Turn left: ON/Others: OFF) as judged from lighting switch signal.
CARGO LAMP SW ^{Note 1}	"OFF"	—
OPTICAL SENSOR ^{Note 2}	[0 - 5V]	Displays "ambient light (close to 5V when light/close to 0V when dark)" judged from optical sensor signal.

NOTE:

1. This item is displayed, but cannot monitor it.
2. Vehicles without auto light system display this item, but cannot monitor it.

ACTIVE TEST

Operation Procedure

1. Touch "HEAD LAMP" on "SELECT TEST ITEM" screen.
2. Touch "ACTIVE TEST" on "SELECT DIAG MODE" screen.
3. Touch item to be tested and check operation of the selected item.
4. During the operation check, touching "BACK" deactivates the operation.

Display Item List

Test item	Description
TAIL LAMP	Allows tail lamp relay to operate by switching ON-OFF.
HEAD LAMP	Allows headlamp relay to operate by switching ON-OFF.
FR FOG LAMP	Allows fog lamp relay to operate by switching ON-OFF.
CORNERING LAMP ^{Note}	—
CARGO LAMP ^{Note}	—

HEADLAMP (FOR CANADA) - DAYTIME LIGHT SYSTEM -

NOTE:

This item is displayed, but cannot monitor it.

CONSULT-II Functions (IPDM E/R)

AKS00AB0

CONSULT-II performs the following functions communicating with IPDM E/R.

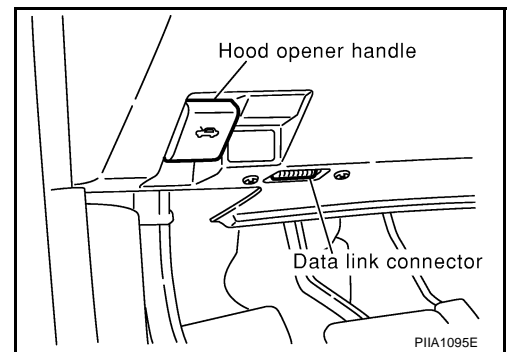
Check Item, Diagnosis Mode	Description
SELF-DIAGNOSTIC RESULTS	The IPDM E/R performs self-diagnosis of CAN communication.
DATA MONITOR	The input/output data of the IPDM E/R is displayed in real time.
CAN DIAG SUPPORT MNTR	The result of transmit/receive diagnosis of CAN communication can be read.
ACTIVE TEST	The IPDM E/R sends a drive signal to electronic components to check their operation.

CONSULT-II OPERATION

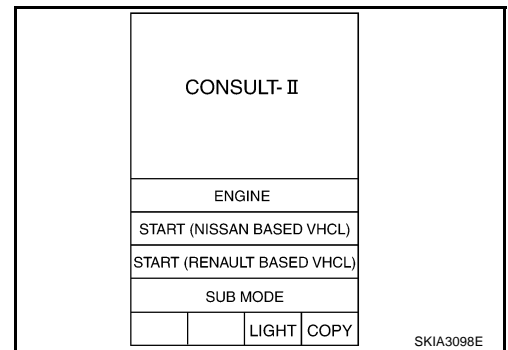
CAUTION:

If CONSULT-II is used with no connection of CONSULT-II CONVERTER, malfunctions might be detected in self-diagnosis depending on control unit which carry out CAN communication.

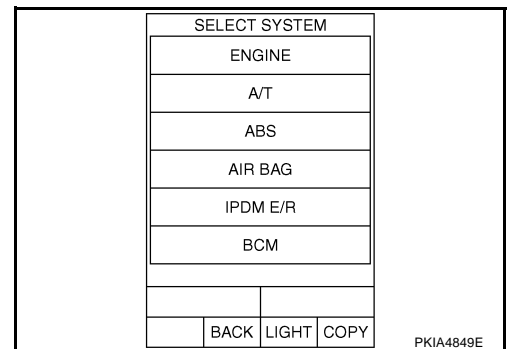
1. With the ignition switch OFF, connect CONSULT-II and CONSULT-II CONVERTER to the data link connector, then turn the ignition switch ON.



2. Touch "START (NISSAN BASED VHCL)".

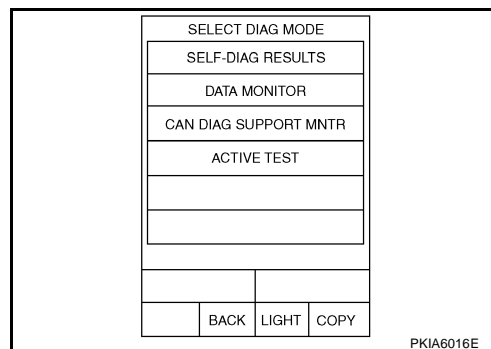


3. Touch "IPDM E/R" on "SELECT SYSTEM" screen. If "IPDM E/R" is not displayed, print "SELECT SYSTEM" screen, then refer to [GI-38, "CONSULT-II Data Link Connector \(DLC\) Circuit"](#).



HEADLAMP (FOR CANADA) - DAYTIME LIGHT SYSTEM -

4. Select the desired part to be diagnosed on “SELECT DIAG MODE” screen.



DATA MONITOR

Operation Procedure

1. Touch “DATA MONITOR” on “SELECT DIAG MODE ” screen.
2. Touch “ALL SIGNALS”, “MAIN SIGNALS” or “SELECTION FROM MENU” on “DATA MONITOR” screen.

ALL SIGNALS	All items will be monitored.
MAIN SIGNALS	Monitor the predetermined item.
SELECTION FROM MENU	Select any item for monitoring.

3. Touch “START”.
4. Touch the required monitoring item on “SELECTION FROM MENU”. In “ALL SIGNALS”, all items are monitored. In “MAIN SIGNALS”, predetermined items are monitored.
5. Touch “RECORD” while monitoring to record the status of the item being monitored. To stop recording, touch “STOP”.

All Signals, Main Signals, Selection From Menu

Item name	CONSULT-II screen display	Display or unit	Monitor item selection			Description
			ALL SIGNALS	MAIN SIGNALS	SELECTION FROM MENU	
Position lights request	TAIL&CLR REQ	ON/OFF	×	×	×	Signal status input from BCM
Headlamp low beam request	HL LO REQ	ON/OFF	×	×	×	Signal status input from BCM
Headlamp high beam request	HL HI REQ	ON/OFF	×	×	×	Signal status input from BCM
Font fog lights request	FR FOG REQ	ON/OFF	×	×	×	Signal status input from BCM

NOTE:

Perform monitoring of IPDM E/R data with the ignition switch ON. When the ignition switch is at ACC, the display may not be correct.

ACTIVE TEST

Operation Procedure

1. Touch “ACTIVE TEST” on “SELECT DIAG MODE” screen.
2. Touch item to be tested, and check operation.
3. Touch “START”.
4. Touch “STOP” while testing to stop the operation.

Test item	CONSULT-II screen display	Description
Headlamp relay (HI, LO) output	LAMPS	Allows headlamp relay (HI, LO) to operate by switching operation (OFF, HI ON, LO ON) at your option.
Front fog lamp relay output		Allows fog lamp relay to operate by switching operation ON-OFF at your option
Tail lamp relay output	TAIL LAMP	Allows tail lamp relay to operate by switching operation ON-OFF at your option

SELF-DIAGNOSTIC RESULTS

Refer to [PG-19, "SELF-DIAG RESULTS"](#) .

HEADLAMP (FOR CANADA) - DAYTIME LIGHT SYSTEM -

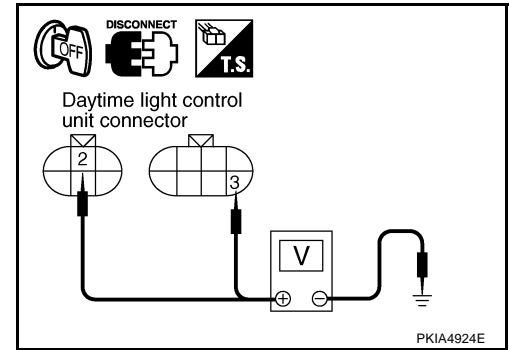
AKS004QE

Daytime Light Control Does Not Operate Properly

1. CHECK DAYTIME LIGHT CONTROL UNIT

1. Turn ignition switch OFF.
2. Disconnect daytime light control unit connector.
3. Check voltage between daytime light control unit harness connector and ground.

Terminals		Ground	Voltage
Daytime light control unit Connector	Terminal (Wire color)		
E25	2 (OR)		Battery voltage
E26	3 (OR)		



OK or NG

OK >> GO TO 2.

NG >> Repair or replace daytime light control unit power supply circuit harness.

2. CHECK GROUND FOR DAYTIME LIGHT CONTROL UNIT

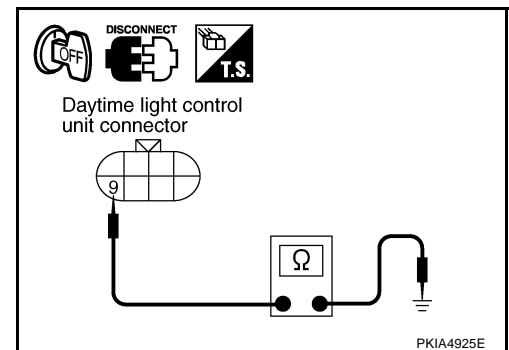
Check continuity between daytime light control unit harness connector E26 terminal 9 (B) and ground.

9 (B) – ground : Continuity should exist.

OK or NG

OK >> GO TO 3.

NG >> Repair harness or connector.



3. CHECK PARKING BRAKE SWITCH CIRCUIT

1. Disconnect parking brake switch connector.
2. Check continuity between daytime light control unit harness connector E25 terminal 10 (PU/R) and parking brake switch harness connector B37*1 or E110*2 terminal 1 (PU/R).

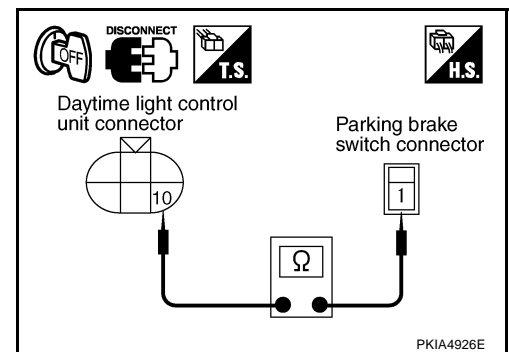
10 (PU/R) – 1 (PU/R) : Continuity should exist.

*1: M/T, *2: A/T

OK or NG

OK >> GO TO 4.

NG >> Repair harness or connector.



HEADLAMP (FOR CANADA) - DAYTIME LIGHT SYSTEM -

4. CHECK PARKING BRAKE SWITCH

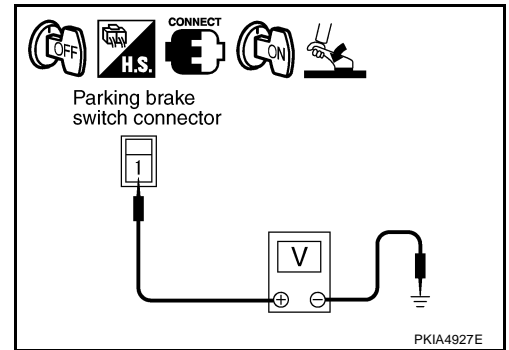
1. Connect daytime light control unit connector and parking brake switch connector.
2. Turn ignition switch ON.
3. Check voltage between parking brake switch harness connector B37*1 or E110*2 terminal 1 (PU/R) and ground, when parking brake is released.

1 (PU/R) – Ground : Battery voltage should exist.

*1: M/T, *2: A/T

OK or NG

- OK >> GO TO 5.
NG >> Replace parking brake switch.



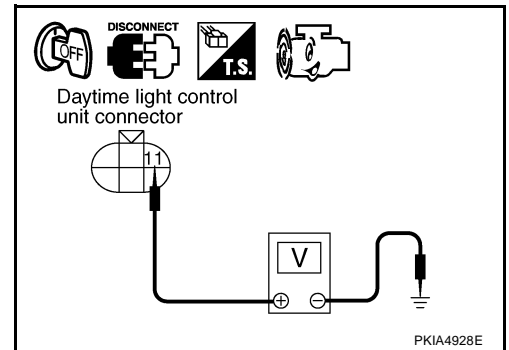
5. CHECK ALTERNATOR CIRCUIT

1. Turn ignition switch OFF.
2. Disconnect daytime light control unit connector.
3. Start engine running.
4. Check voltage between daytime light control unit harness connector E25 terminal 11 (W/R) and ground.

11 (W/R) – Ground : Battery voltage should exist.

OK or NG

- OK >> GO TO 6.
NG >> Repair harness or connector.



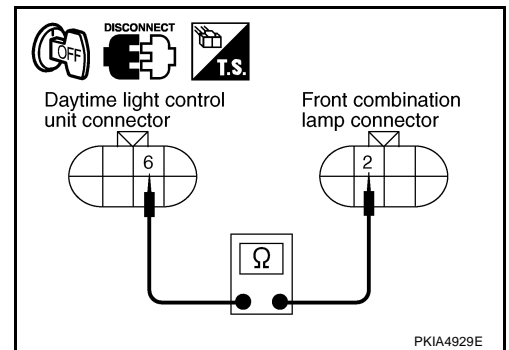
6. CHECK POWER CIRCUIT BETWEEN DAYTIME LIGHT CONTROL UNIT AND HEADLAMP LH

1. Turn ignition switch OFF.
2. Disconnect daytime light control unit connector and LH front combination lamp connector.
3. Check continuity between daytime light control unit harness connector E26 terminal 6 (L) and front combination lamp LH harness connector E41 terminal 2 (L).

6 (L) – 2 (L) : Continuity should exist.

OK or NG

- OK >> GO TO 7.
NG >> Repair harness or connector.



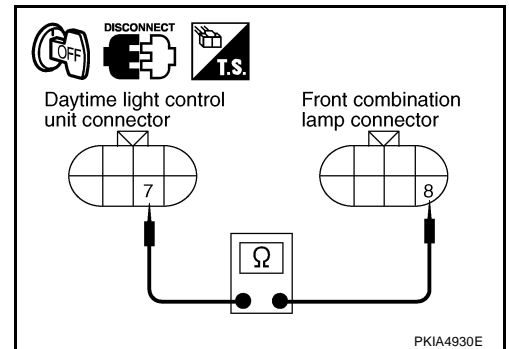
7. CHECK GROUND CIRCUIT BETWEEN DAYTIME LIGHT CONTROL UNIT AND HEADLAMP LH

Check continuity between daytime light control unit harness connector E26 terminal 7 (Y/G) and front combination lamp LH harness connector E41 terminal 8 (Y/G).

7 (Y/G) – 8 (Y/G) : Continuity should exist.

OK or NG

- OK >> GO TO 8.
NG >> Repair harness or connector.



HEADLAMP (FOR CANADA) - DAYTIME LIGHT SYSTEM -

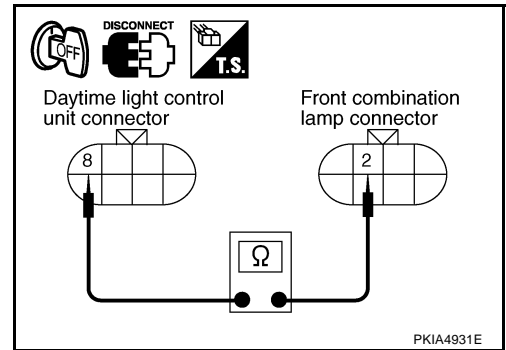
8. CHECK POWER CIRCUIT BETWEEN DAYTIME LIGHT CONTROL UNIT AND HEADLAMP RH

1. Turn ignition switch OFF.
2. Disconnect RH front combination lamp connector.
3. Check continuity between daytime light control unit harness connector E26 terminal 8 (LG) and front combination lamp RH harness connector E24 terminal 2 (LG).

8 (LG) – 2 (LG) : Continuity should exist.

OK or NG

- OK >> GO TO 9.
 NG >> Repair harness or connector.



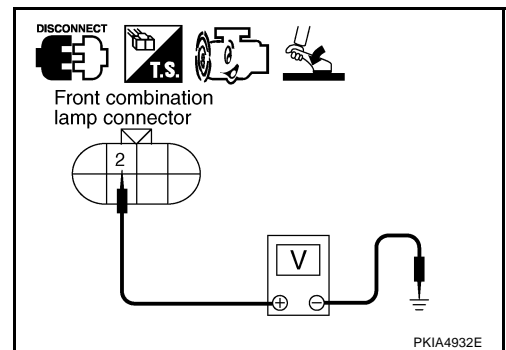
9. CHECK DAYTIME LIGHT CONTROL UNIT

1. Connect daytime light control unit connector.
2. Check voltage between front combination lamp RH harness connector E24 terminal 2 (LG) and ground, when releasing parking brake with engine running and turning lighting switch to "OFF".

2 (LG) – Ground : Battery voltage should exist.

OK or NG

- OK >> Check headlamp bulb.
 NG >> Replace daytime light control unit.



Headlamp HI Does Not Illuminate (Both Sides)

1. CHECK COMBINATION SWITCH INPUT SIGNAL

☑ With CONSULT-II

Select "BCM" on CONSULT-II. With "HEAD LAMP" data monitor, make sure "HI BEAM SW" turns ON-OFF linked with operation of lighting switch.

When lighting switch is : HI BEAM SW ON HIGH position

☒ With out CONSULT-II

Refer to [LT-129, "Combination Switch Inspection"](#) .

OK or NG

- OK >> GO TO 2.
 NG >> Check lighting switch. Refer to [LT-129, "Combination Switch Inspection"](#) .

DATA MONITOR			
MONITOR		NO DTC	
HI BEAM SW		ON	
RECORD			
MODE	BACK	LIGHT	COPY

PKIA7743E

HEADLAMP (FOR CANADA) - DAYTIME LIGHT SYSTEM -

2. HEADLAMP ACTIVE TEST

④ With CONSULT-II

1. Select "IPDM E/R" on CONSULT-II. and select "ACTIVE TEST" on "SELECT DIAG MODE" screen.
2. Select "LAMPS" on "SELECT TEST ITEM" screen.
3. Touch "HI" screen.
4. Make sure headlamp high beam operates.

Headlamp high beam should operate

⊗ With out CONSULT-II

1. Start auto active test. Refer to [PG-22, "Auto Active Test"](#) .
2. Make sure headlamp high beam operates.

Headlamp high beam should operate.

ACTIVE TEST			
LAMPS		HI	
OFF			
LO		FOG	
MODE	BACK	LIGHT	COPY

PKIA7741E

OK or NG

- OK >> GO TO 3.
 NG >> GO TO 4.

3. CHECK IPDM E/R

1. Select "IPDM E/R" on CONSULT-II. and select "DATA MONITOR" on "SELECT DIAG MODE" screen.
2. Make sure "HL LO REQ" and "HL HI REQ" turns ON when lighting switch is in HI position.

**When lighting switch is HIGH position : HL LO REQ ON
 : HL HI REQ ON**

OK or NG

- OK >> Replace IPDM E/R.
 NG >> Replace BCM. Refer to [BCS-15, "Removal and Installation of BCM"](#) .

DATA MONITOR			
MONITOR			
HL LO REQ		ON	
HL HI REQ		ON	
RECORD			
MODE	BACK	LIGHT	COPY

PKIA7638E

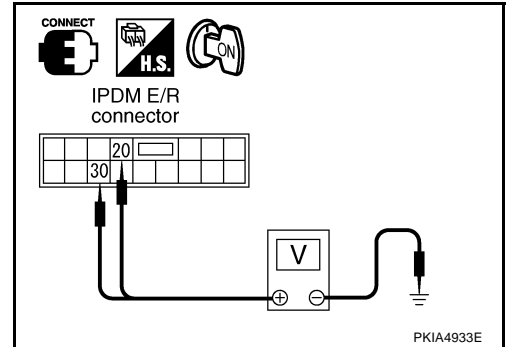
A
B
C
D
E
F
G
H
I
J
LT
L
M

HEADLAMP (FOR CANADA) - DAYTIME LIGHT SYSTEM -

4. CHECK HEADLAMP INPUT SIGNAL

④ With CONSULT-II

1. Select "IPDM E/R" on CONSULT-II, and select "ACTIVE TEST" on "SELECT DIAG MODE" screen.
2. Select "LAMPS" on "SELECT TEST ITEM" screen.
3. Touch "HI" screen.
4. When headlamp high beam is operating, check voltage between front combination lamp RH and LH harness connector and ground.



Terminals		(-)	Voltage
(+) Connector			
Connector	Terminal (Wire color)		
E7	20 (R)	Ground	Battery voltage
	30 (R/B)		

⊗ With out CONSULT-II

1. Start auto active test. Refer to [PG-22, "Auto Active Test"](#).
2. When headlamp high beam is operating, check voltage between front combination lamp RH and LH harness connector and ground.

Terminals		(-)	Voltage
(+) Connector			
Connector	Terminal (Wire color)		
E7	20 (R)	Ground	Battery voltage
	30 (R/B)		

OK or NG

- OK >> Check headlamp bulbs.
 NG >> Replace IPDM E/R.

RH HI Does Not Illuminate But RH LO Illuminates

AKS004QG

1. CHECK BULB

Check bulb of lamp.

OK or NG

- OK >> GO TO 2.
 NG >> Replace bulb of lamp.

HEADLAMP (FOR CANADA) - DAYTIME LIGHT SYSTEM -

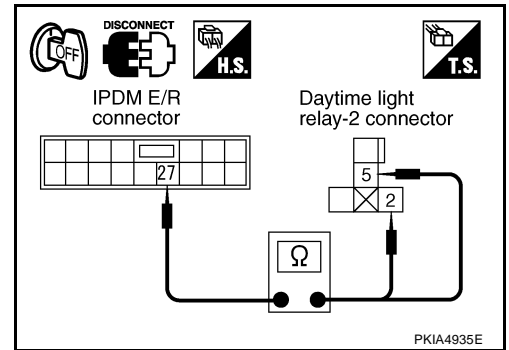
2. CHECK CIRCUIT BETWEEN IPDM E/R AND DAYTIME LIGHT RELAY-2

1. Turn ignition switch OFF.
2. Disconnect IPDM E/R connector and daytime light relay-2.
3. Check continuity between IPDM E/R harness connector E7 terminal 27 (BR) and daytime light relay-2 harness connector E16 terminal 2 (BR).

27 (BR) – 2 (BR) : Continuity should exist.

4. Check continuity between IPDM E/R harness connector E7 terminal 27 (BR) and daytime light relay-2 harness connector E16 terminal 5 (BR).

27 (BR) – 5 (BR) : Continuity should exist.



OK or NG

OK >> GO TO 3.

NG >> Repair harness or connector.

3. CHECK DAYTIME LIGHT RELAY-2 GROUND

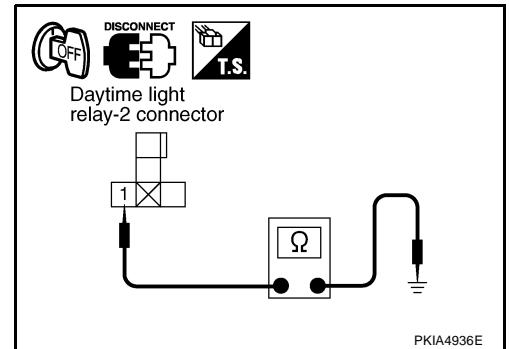
Check continuity between daytime light relay-2 harness connector E16 terminal 1 (B) and ground.

1 (B) – Ground : Continuity should exist.

OK or NG

OK >> GO TO 4.

NG >> Repair harness or connector.



4. CHECK CIRCUIT BETWEEN DAYTIME LIGHT RELAY-2 AND HEADLAMP RH

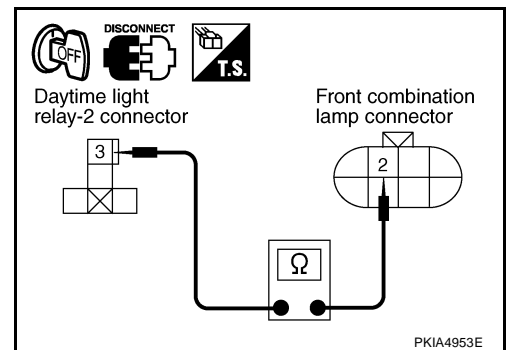
1. Disconnect RH front combination lamp connector.
2. Check continuity between daytime light relay-2 harness connector E16 terminal 3 (LG) and front combination lamp RH harness connector E24 terminal 2 (LG).

3 (LG) – 2 (LG) : Continuity should exist.

OK or NG

OK >> GO TO 5.

NG >> Repair harness or connector.



5. CHECK HEADLAMP RH GROUND CIRCUIT

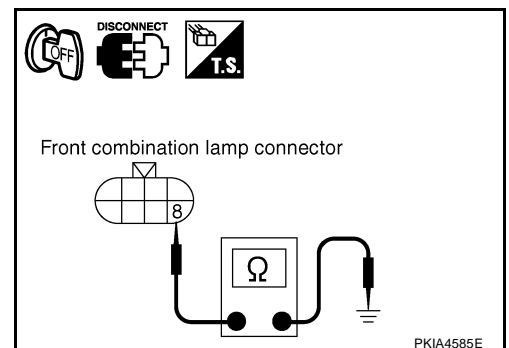
Check continuity between RH front combination lamp harness connector E24 terminal 8 (B) and ground.

8 (B) – Ground : Continuity should exist.

OK or NG

OK >> GO TO 6.

NG >> Repair harness or connector.



HEADLAMP (FOR CANADA) - DAYTIME LIGHT SYSTEM -

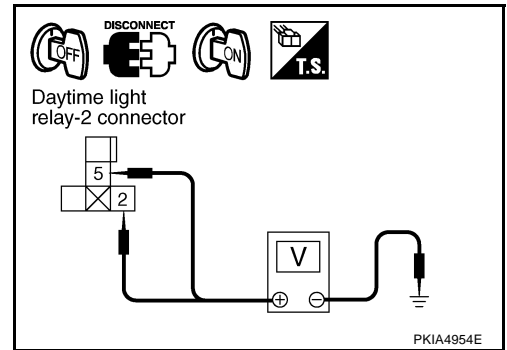
6. CHECK IPDM E/R

1. Connect IPDM E/R connector.
2. Turn ignition switch ON.
3. Lighting switch is turned HIGH position.
4. Check voltage between daytime light relay-2 harness connector E16 terminal 2 (BR) and ground.

2 (BR) – Ground : Battery voltage should exist.

5. Check voltage between daytime light relay-2 harness connector E16 terminal 5 (BR) and ground.

5 (BR) – Ground : Battery voltage should exist.



OK or NG

- OK >> Replace daytime light relay-2.
NG >> Replace IPDM E/R.

LH HI Does Not Illuminate But LH LO Illuminates

AKS004QH

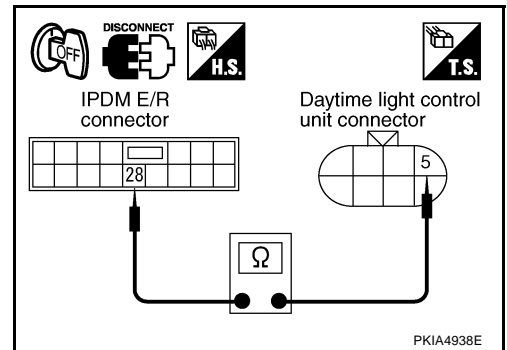
1. CHECK CIRCUIT BETWEEN IPDM E/R AND DAYTIME LIGHT CONTROL UNIT

1. Turn ignition switch OFF.
2. Disconnect IPDM E/R connector and daytime light control unit connector.
3. Check continuity between IPDM E/R harness connector E7 terminal 28 (R/Y) and daytime light control unit harness connector E26 terminal 5 (R/Y).

28 (R/Y) – 5 (R/Y) : Continuity should exist.

OK or NG

- OK >> GO TO 2.
NG >> Repair harness or connector.



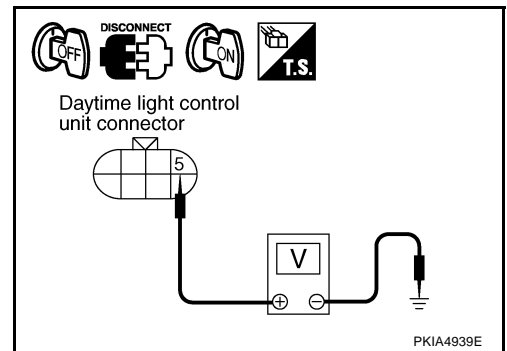
2. CHECK IPDM E/R

1. Connect IPDM E/R connector.
2. Turn ignition switch ON.
3. Lighting switch is turned HIGH position.
4. Check voltage between daytime light control unit harness connector E26 terminal 5 (R/Y) and ground.

5 (R/Y) – Ground : Battery voltage should exist.

OK or NG

- OK >> GO TO 3.
NG >> Replace IPDM E/R.



HEADLAMP (FOR CANADA) - DAYTIME LIGHT SYSTEM -

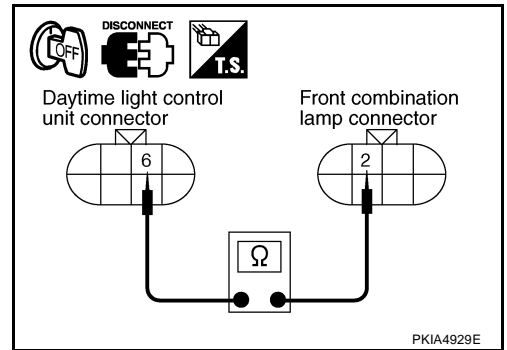
3. CHECK POWER CIRCUIT BETWEEN DAYTIME LIGHT CONTROL UNIT AND HEADLAMP LH

1. Turn ignition switch OFF.
2. Disconnect daytime light control unit connector and LH front combination lamp connector.
3. Check continuity between daytime light control unit harness connector E26 terminal 6 (L) and front combination lamp LH harness connector E41 terminal 2 (L).

6 (L) – 2 (L) : Continuity should exist.

OK or NG

- OK >> GO TO 4.
NG >> Repair harness or connector.



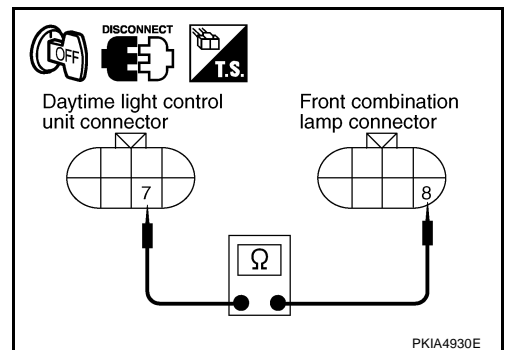
4. CHECK CIRCUIT BETWEEN DAYTIME LIGHT CONTROL UNIT AND HEADLAMP LH

Check continuity between daytime light control unit harness connector E26 terminal 7 (Y/G) and front combination lamp LH harness connector E41 terminal 8 (Y/G).

7 (Y/G) – 8 (Y/G) : Continuity should exist.

OK or NG

- OK >> GO TO 5.
NG >> Repair harness or connector.



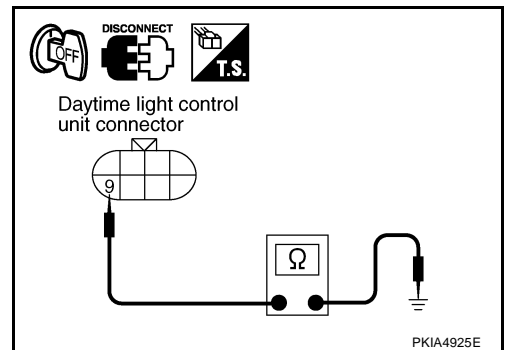
5. CHECK DAYTIME LIGHT CONTROL UNIT AND GROUND

Check continuity between daytime light control unit harness connector E26 terminal 9 (B) and ground.

9 (B) – Ground : Continuity should exist.

OK or NG

- OK >> GO TO 6.
NG >> Repair harness or connector.



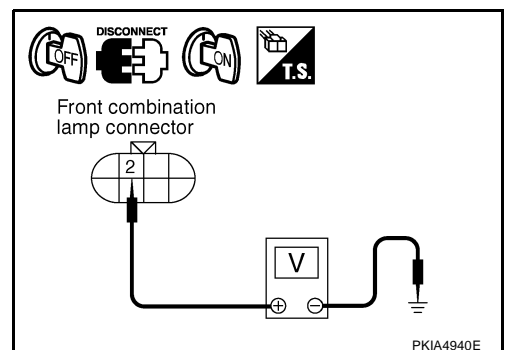
6. CHECK DAYTIME LIGHT CONTROL UNIT

1. Connect daytime light control unit connector.
2. Turn ignition switch ON.
3. Lighting switch is turned HIGH position.
4. Check voltage between front combination lamp LH harness connector E41 terminal 2 (L) and ground.

2 (L) – Ground : Battery voltage should exist.

OK or NG

- OK >> Check headlamp bulb.
NG >> Replace daytime light control unit.



HEADLAMP (FOR CANADA) - DAYTIME LIGHT SYSTEM -

AKS00AB1

Headlamp Low Beam Does Not Illuminate (Both Sides)

1. CHECK COMBINATION SWITCH INPUT SIGNAL

④ With CONSULT-II

Select "BCM" on CONSULT-II. With "HEAD LAMP" data monitor, make sure "HEAD LAMP SW 1" and "HEAD LAMP SW 2" turns ON-OFF linked with operation of lighting switch.

**When lighting switch is 2ND position : HEAD LAMP SW 1 ON
: HEAD LAMP SW 2 ON**

⊗ With out CONSULT-II

Refer to [LT-129, "Combination Switch Inspection"](#) .

OK or NG

OK >> GO TO 2.

NG >> Check lighting switch. Refer to [LT-129, "Combination Switch Inspection"](#) .

DATA MONITOR			
MONITOR		NO DTC	
HEAD LAMP SW1		ON	
HEAD LAMP SW2		ON	
RECORD			
MODE	BACK	LIGHT	COPY

PKIA7744E

2. HEADLAMP ACTIVE TEST

④ With CONSULT-II

1. Select "IPDM E/R" on CONSULT-II. and select "ACTIVE TEST" on "SELECT DIAG MODE" screen.
2. Select "LAMPS" on "SELECT TEST" ITEM screen.
3. Touch "LO" screen.
4. Make sure headlamp low beam operates.

Headlamp low beam should operate.

⊗ With out CONSULT-II

1. Start auto active test. Refer to [PG-22, "Auto Active Test"](#) .
2. Make sure headlamp low beam operates.

Headlamp low beam should operate.

OK or NG

OK >> GO TO 3.

NG >> GO TO 4.

3. CHECK IPDM E/R

1. Select "IPDM E/R" on CONSULT-II. and select "DATA MONITOR" on "SELECT DIAG MODE" screen.
2. Make sure "HL LO REQ" turns ON when lighting switch is in 2ND position.

When lighting switch is 2ND position : HL LO REQ ON

OK or NG

OK >> Replace IPDM E/R.

NG >> Replace BCM.

ACTIVE TEST			
LAMPS		LO	
OFF		HI	
FOG			
MODE	BACK	LIGHT	COPY

PKIA7742E

DATA MONITOR			
MONITOR		NO DTC	
HL LO REQ		ON	
RECORD			
MODE	BACK	LIGHT	COPY

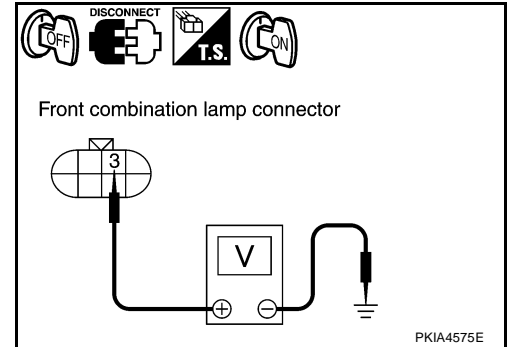
PKIA7644E

HEADLAMP (FOR CANADA) - DAYTIME LIGHT SYSTEM -

4. CHECK HEADLAMP INPUT SIGNAL

☑ With CONSULT-II

1. Turn ignition switch OFF.
2. Disconnect front combination lamp RH and LH connector.
3. Select "IPDM E/R" on CONSULT-II. and select "ACTIVE TEST" on "SELECT DIAG MODE" screen.
4. Select "LAMPS" on "SELECT TEST ITEM" screen.
5. Touch "LO" screen.
6. When headlamp low beam is operating, check voltage between front combination lamp RH and LH harness connector and ground.



Terminals			(-)	Voltage
(+)				
Connector		Terminal (Wire color)		
RH	E24	3 (R)	Ground	Battery voltage
LH	E41	3 (R/B)		

☒ With out CONSULT-II

1. Turn ignition switch OFF.
2. Disconnect front combination lamp RH and LH connector.
3. Start auto active test. Refer to [PG-22, "Auto Active Test"](#).
4. When headlamp low beam is operating, check voltage between front combination lamp RH and LH harness connector and ground.

Terminals			(-)	Voltage
(+)				
Connector		Terminal (Wire color)		
RH	E24	3 (R)	Ground	Battery voltage
LH	E41	3 (R/B)		

OK or NG

- OK >> GO TO 6.
NG >> GO TO 5.

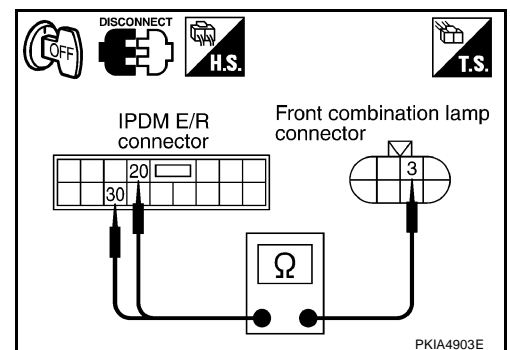
5. CHECK HEADLAMP CIRCUIT

1. Turn ignition switch OFF.
2. Disconnect IPDM E/R connector.
3. Check continuity between IPDM E/R harness connector E7 terminal 20 (R) and front combination lamp RH harness connector E24 terminal 3 (R).

20 (R) – 3 (R) : Continuity should exist.

4. Check continuity between IPDM E/R harness connector E7 terminal 30 (R/B) and front combination lamp LH harness connector E41 terminal 3 (R/B).

30 (R/B) – 3 (R/B) : Continuity should exist.



OK or NG

- OK >> Replace IPDM E/R.
NG >> Repair harness or connector.

HEADLAMP (FOR CANADA) - DAYTIME LIGHT SYSTEM -

6. CHECK HEADLAMP GROUND

1. Turn ignition switch OFF.
2. Check continuity between front combination lamp RH harness connector E24 terminal 5 (B) and ground.

5 (B) – Ground : Continuity should exist.

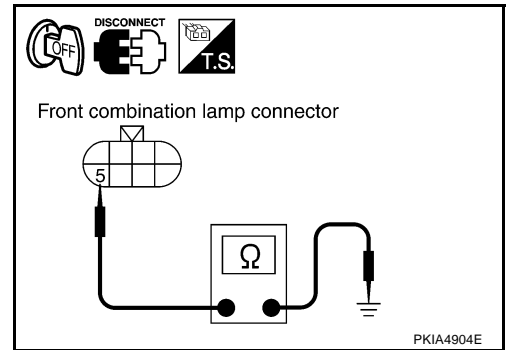
3. Check continuity between front combination lamp LH harness connector E41 terminal 5 (B) and ground.

5 (B) – Ground : Continuity should exist.

OK or NG

OK >> Check headlamp harness and connectors, ballasts (HID control unit), and xenon bulbs. Refer to [LT-33, "Xenon Headlamp Trouble Diagnosis"](#).

NG >> Repair harness or connector.



RH LO Does Not Illuminate But RH HI Illuminates

AKS004QJ

1. CHECK BULB

- Check bulb of lamp which does not illuminate. (Standard models)
- Check ballasts (HID control unit) and xenon bulb of lamp which does not illuminate. (Xenon models)

OK or NG

OK >> GO TO 2.

NG >> ● Standard models:
Check headlamp harness and connectors, and halogen bulbs.

- Xenon models:
Check headlamp harness and connectors, ballasts (HID control unit), and xenon bulbs. Refer to [LT-33, "Xenon Headlamp Trouble Diagnosis"](#).

2. CHECK CIRCUIT BETWEEN IPDM E/R AND HEADLAMP RH

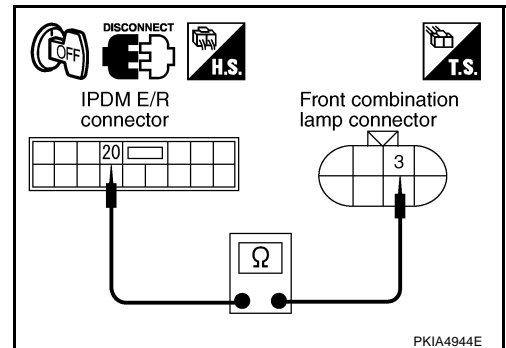
1. Turn ignition switch OFF.
2. Disconnect IPDM E/R connector and RH front combination lamp connector.
3. Check continuity between IPDM E/R harness connector E7 terminal 20 (R) and front combination lamp RH harness connector E24 terminal 3 (R).

20 (R) – 3 (R) : Continuity should exist.

OK or NG

OK >> GO TO 3.

NG >> Repair harness or connector.



3. CHECK HEADLAMP RH GROUND CIRCUIT

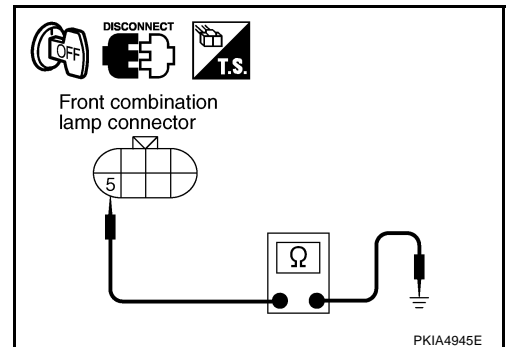
Check continuity between front combination lamp RH harness connector E24 terminal 5 (B) and ground.

5 (B) – Ground : Continuity should exist.

OK or NG

OK >> Replace IPDM E/R.

NG >> Repair harness or connector.



HEADLAMP (FOR CANADA) - DAYTIME LIGHT SYSTEM -

AKS004QK

LH LO Does Not Illuminate But LH HI Illuminates

1. CHECK BULB

- Check bulb of lamp which does not illuminate. (Standard models)
- Check ballasts (HID control unit) and xenon bulb of lamp which does not illuminate. (Xenon models)

OK or NG

OK >> GO TO 2.

NG >> ● Standard models:

Check headlamp harness and connectors, and halogen bulbs.

- Xenon models:

Check headlamp harness and connectors, ballasts (HID control unit), and xenon bulbs. Refer to [LT-33, "Xenon Headlamp Trouble Diagnosis"](#).

2. CHECK CIRCUIT BETWEEN IPDM E/R AND HEADLAMP LH

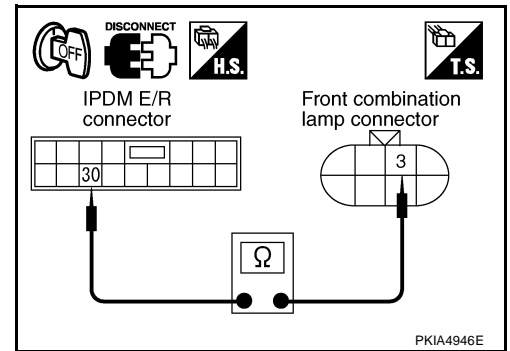
1. Turn ignition switch OFF.
2. Disconnect IPDM E/R connector and front combination lamp LH connector.
3. Check continuity between IPDM E/R harness connector E7 terminal 30 (R/B) and front combination lamp harness LH connector E41 terminal 3 (R/B).

30 (R/B) – 3 (R/B) : Continuity should exist.

OK or NG

OK >> GO TO 3.

NG >> Repair harness or connector.



3. CHECK HEADLAMP AND GROUND

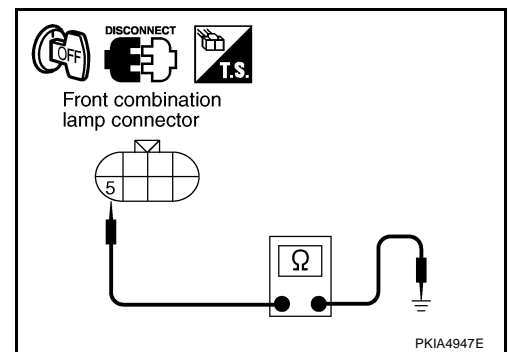
Check continuity between front combination lamp LH harness connector E41 terminal 5 (B) and ground.

5 (B) – Ground : Continuity should exist.

OK or NG

OK >> Replace IPDM E/R.

NG >> Repair harness or connector.



Aiming Adjustment

Refer to [LT-34, "Aiming Adjustment"](#) in "HEAD LAMP (FOR USA)".

Bulb Replacement

Refer to [LT-35, "Bulb Replacement"](#) in "HEAD LAMP (FOR USA)".

Removal and Installation

Refer to [LT-36, "Removal and Installation"](#) in "HEAD LAMP (FOR USA)".

Disassembly and Assembly

Refer to [LT-37, "Disassembly"](#), [LT-38, "Assembly"](#) in "HEAD LAMP (FOR USA)".

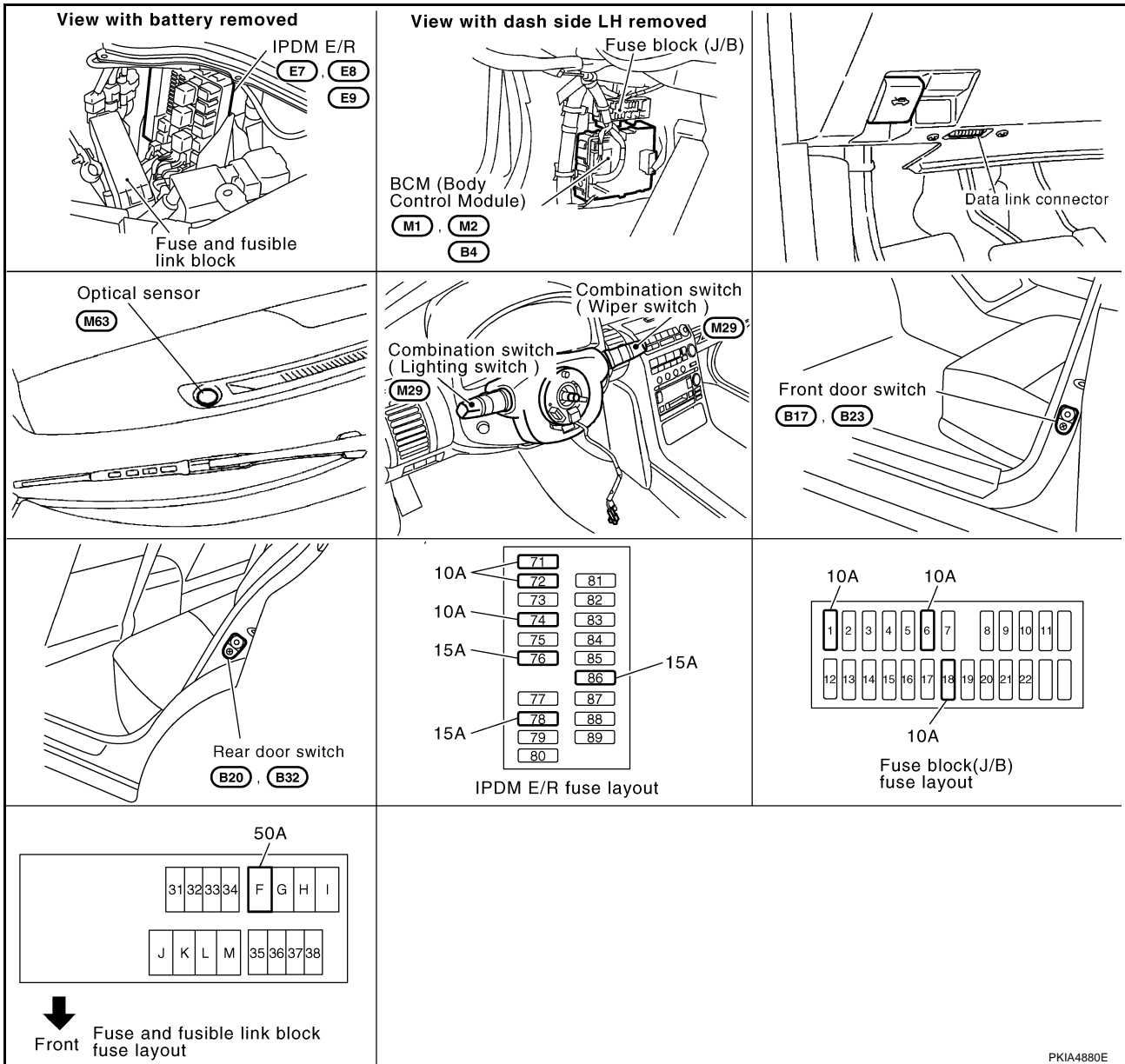
AUTO LIGHT SYSTEM

PFP:28491

AUTO LIGHT SYSTEM

Component Parts and Harness Connector Location

AKS009LA



PKIA4880E

System Description

AKS009LB

Automatically turns on/off the parking lamps and the headlamps in accordance with ambient light. Timing for when the lamps turn on/off can be selected using four modes.

OUTLINE

The auto light control system has an optical sensor inside it that detects outside brightness. When the lighting switch is in "AUTO" position, it automatically turns on/off the parking lamps and the headlamps in accordance with the ambient light. Sensitivity can be adjusted in four steps. For the details of the setting, Refer to [LT-80, "SETTING CHANGE FUNCTIONS"](#).

Optical sensor, power is supplied

- from BCM (body control module) terminal 17
- to optical sensor terminal 1.

Optical sensor, ground is supplied

- from BCM (body control module) terminal 18
- to optical sensor terminal 3.

When ignition switch is turn to "ON" position, and

AUTO LIGHT SYSTEM

When outside brightness is darker than prescribed level, input is supplied

- to BCM (body control module) terminal 14
- from optical sensor terminal 2.

The headlamps will then illuminate. For a description of headlamp operation, Refer to [LT-72. "System Description"](#).

COMBINATION SWITCH READING FUNCTION

Refer to [BCS-3. "COMBINATION SWITCH READING FUNCTION"](#).

EXTERIOR LAMP BATTERY SAVER CONTROL

When a lighting switch changes into the state of off of an ignition switch from the state of ACC or ON by 1st position, a function in case a lighting switch is except AUTO or OFF in the state of ignition carries out the timer operation of the output of headlamp, fog lamp, and tail lamp for 5 minutes, is not based on the input conditions of a combination switch after that, but is set to OFF.

Exterior lamp battery saver control mode can be changed by the function setting of CONSULT-II.

SHUT OFF DELAY

When ignition switch is in the state of ON or ACC and a lighting switch is an AUTO position, after OFF and a door switch (a driver, passenger) serve as ON from the state of ON of headlamp in an ignition switch, a headlamp is turned on for 5 minutes, and headlamp, parking lamp, and fog lamp are set OFF after that.

When a door switch (a driver, passenger) is turned on from OFF during 45 seconds or a 5 minute timer operation, the present timer stops, newly turns on a headlamp for 5 minutes, and sets headlamp, parking lamp, and fog lamp to OFF after that.

When a door switch (a driver, passenger) is turned off from ON during 45 seconds or a 5 minute timer operation, the present timer stops, newly turns on a head lamp for 45 seconds, and sets a headlamp, parking lamp, and fog lamp to OFF after that.

When an ignition switch is turned off from ON during the above mentioned timer operation, the function, which stopped the timer and followed each lighting switch, is performed.

Shut off delay control mode can be changed by the function setting of CONSULT-II.

CAN Communication System Description

AKS009LC

CAN (Controller Area Network) is a serial communication line for real time application. It is an on-vehicle multiplex communication line with high data communication speed and excellent error detection ability. Many electronic control units are equipped onto a vehicle, and each control unit shares information and links with other control units during operation (not independent). In CAN communication, control units are connected with 2 communication lines (CAN H line, CAN L line) allowing a high rate of information transmission with less wiring. Each control unit transmits/receives data but selectively reads required data only.

CAN Communication Unit

AKS009LD

Refer to [LAN-4. "CAN Communication Unit"](#).

Major Components and Functions

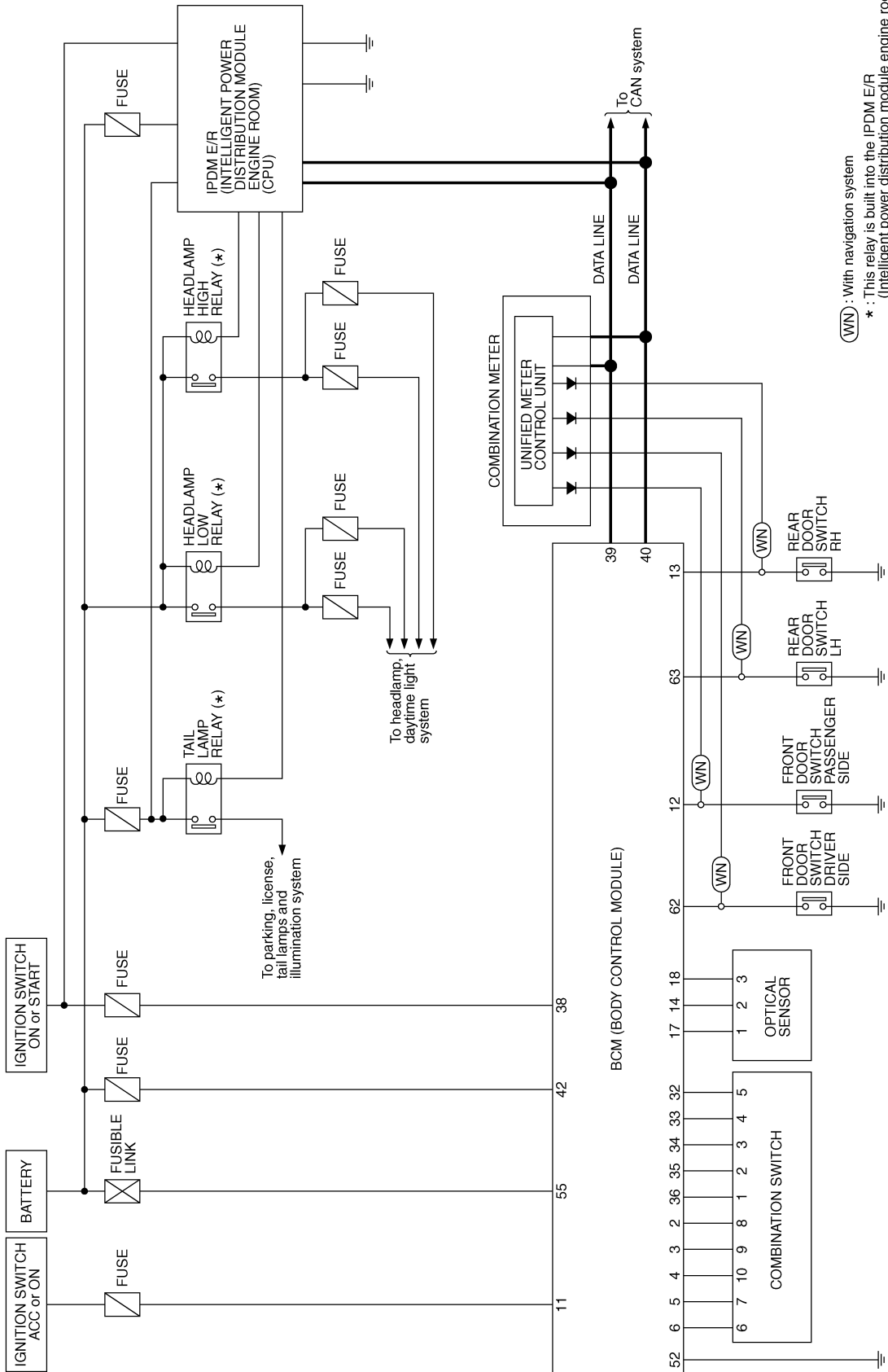
AKS009LE

Components	Functions
BCM	● Turns on/off circuits of tail light and headlamp according to signals from light sensor, lighting switch (AUTO), driver door switch, passenger door switch, rear door switch, and ignition switch (ON, OFF).
Optical sensor	● Converts ambient light (lux) to voltage, and sends it to BCM. (Detects lightness of 50 to 1,300 lux)

AUTO LIGHT SYSTEM

Schematic

AKS009LF



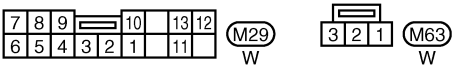
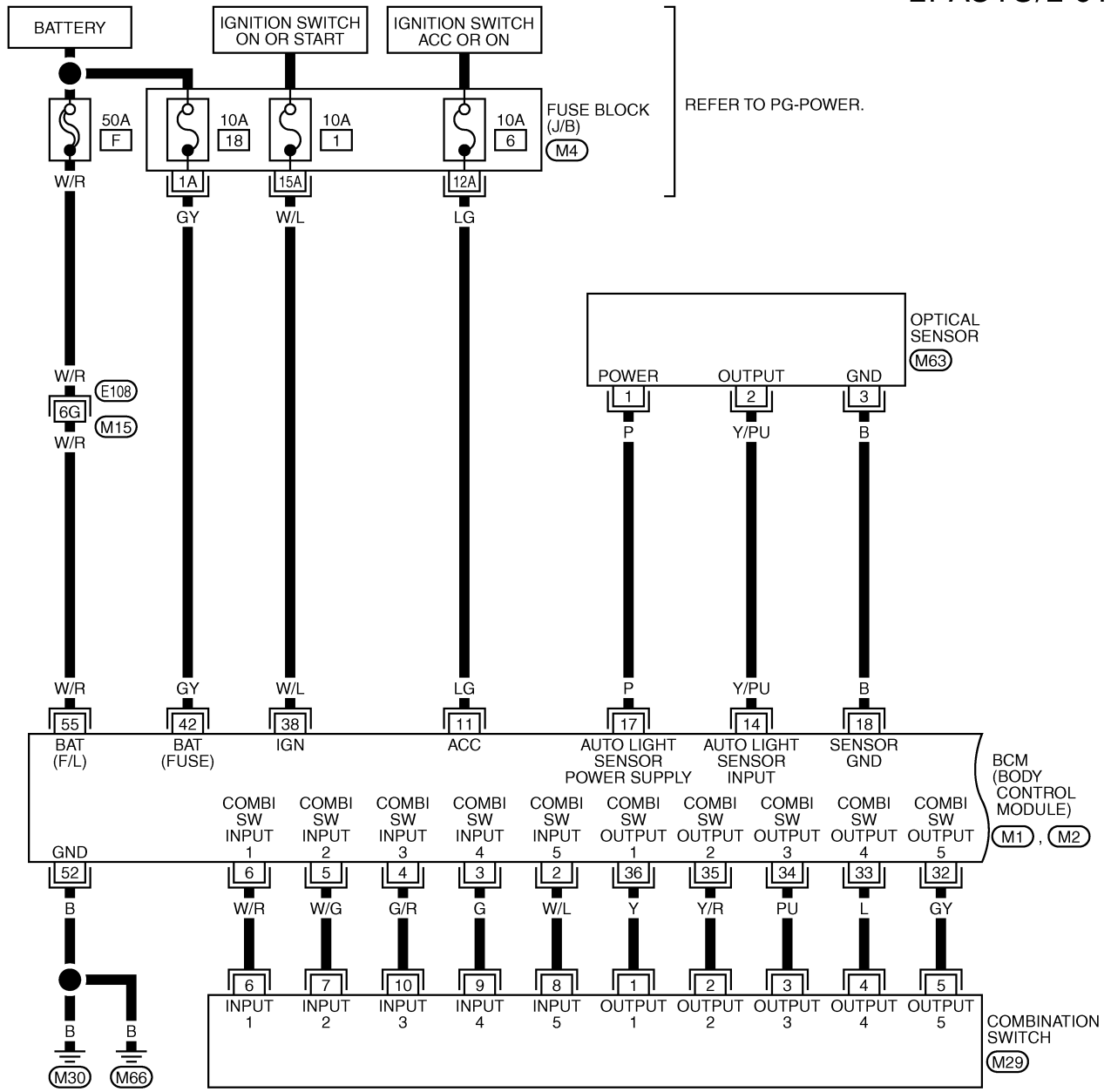
(WN) : With navigation system
 * : This relay is built into the IPDM E/R (intelligent power distribution module engine room).

AUTO LIGHT SYSTEM

Wiring Diagram — AUTO/L —

AKS009LG

LT-AUTO/L-01



REFER TO THE FOLLOWING.

- (E108) -SUPER MULTIPLE JUNCTION (SMJ)
- (M4) -FUSE BLOCK-JUNCTION BOX (J/B)
- (M1), (M2) -ELECTRICAL UNITS

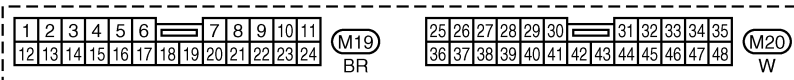
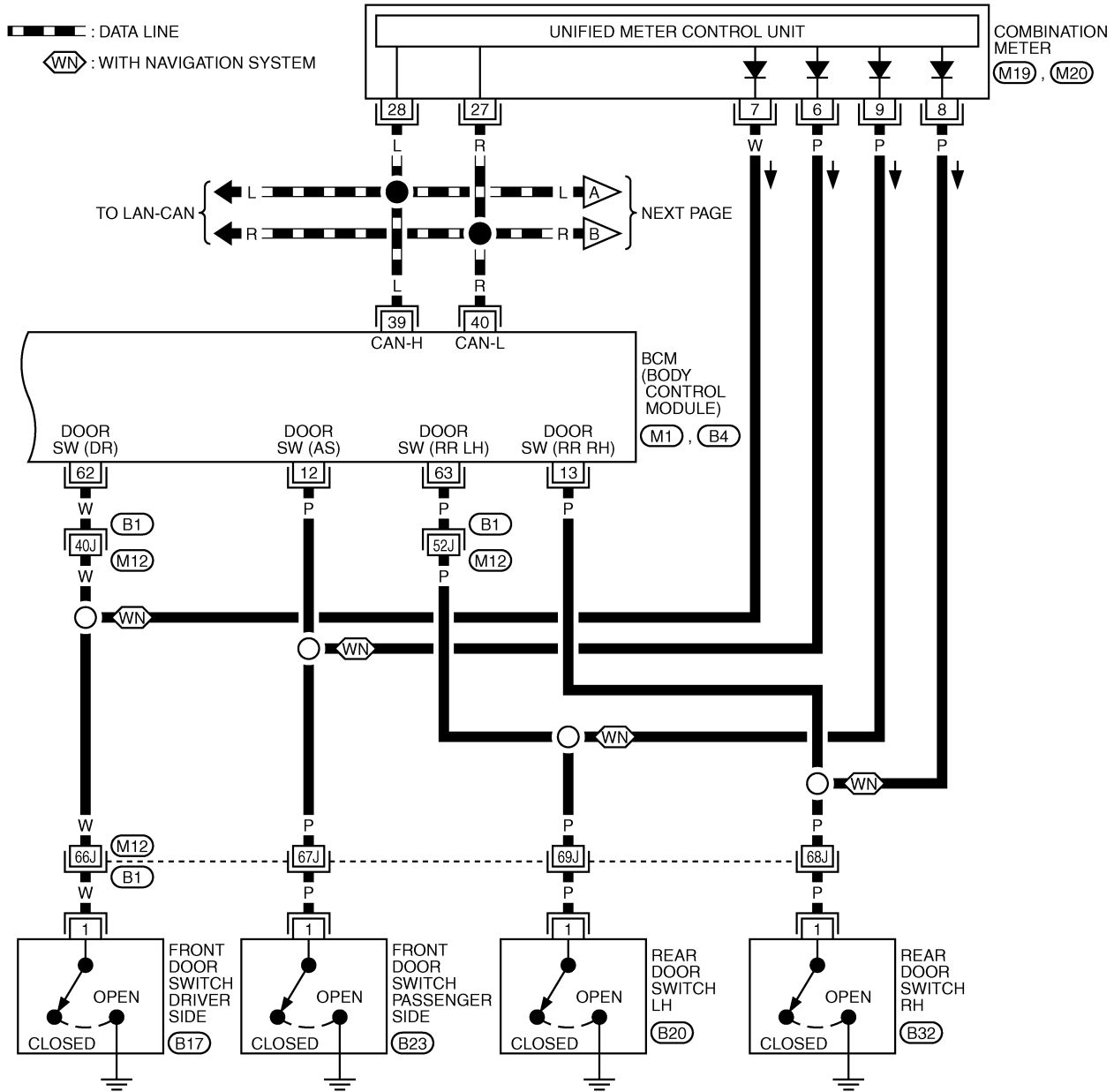
A
B
C
D
E
F
G
H
I
J
LT
L
M

AUTO LIGHT SYSTEM

LT-AUTO/L-02

▬ : DATA LINE

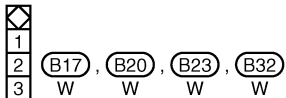
◊WN◊ : WITH NAVIGATION SYSTEM



REFER TO THE FOLLOWING.

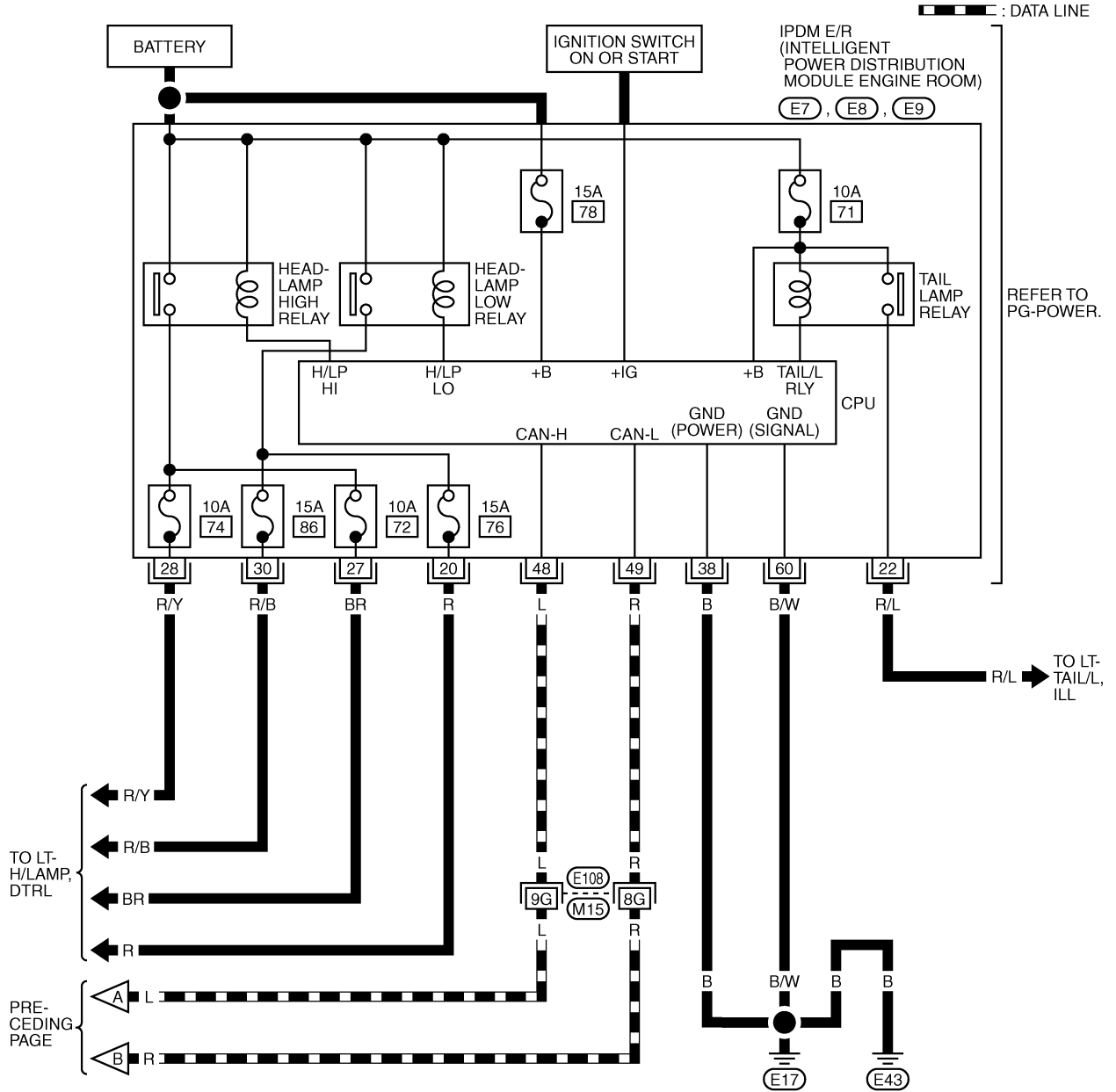
(B1) -SUPER MULTIPLE JUNCTION (SMJ)

(M1), (B4) -ELECTRICAL UNITS



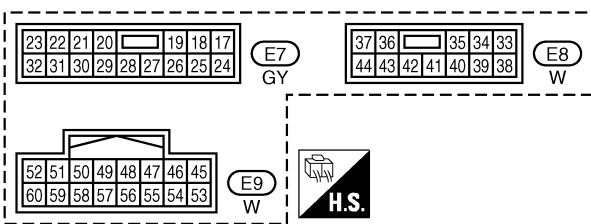
AUTO LIGHT SYSTEM

LT-AUTO/L-03



A
B
C
D
E
F
G
H
I
J
K
L
M

LT

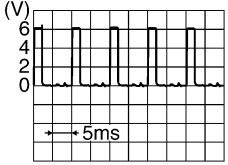
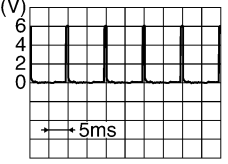
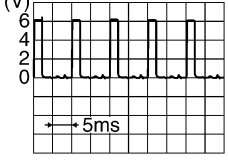

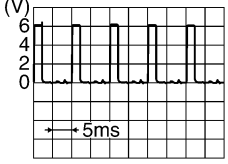


REFER TO THE FOLLOWING.
 (E108) -SUPER MULTIPLE JUNCTION (SMJ)

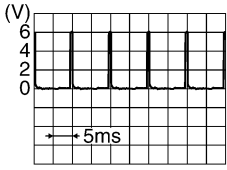
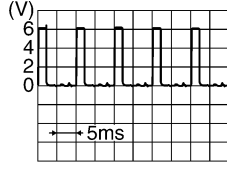

AUTO LIGHT SYSTEM

Terminals and Reference Values for BCM

AKS009LH

Terminal No.	Wire color	Signal name	Measuring condition		Reference value	
			Ignition switch	Operation or condition		
2	W/L	Combination switch input 5	ON	Lighting, turn, wiper OFF Wiper dial position 4	 <p style="text-align: right;">SKIA5291E</p>	
3	G	Combination switch input 4	ON	Lighting, turn, wiper OFF Wiper dial position 4	 <p style="text-align: right;">SKIA5292E</p>	
4	G/R	Combination switch input 3	ON	Lighting, turn, wiper OFF Wiper dial position 4	 <p style="text-align: right;">SKIA5291E</p>	
5	W/G	Combination switch input 2	ON	Lighting, turn, wiper OFF Wiper dial position 4	 <p style="text-align: right;">SKIA5292E</p>	
6	W/R	Combination switch input 1				
11	LG	Ignition switch (ACC)	ACC	—	Battery voltage	
12	P	Front door switch passenger side signal	OFF	Front door switch passenger side	ON (open)	Approx. 0V
					OFF (closed)	Battery voltage
13	P	Rear door switch RH signal	OFF	Rear door switch RH	ON (open)	Approx. 0V
					OFF (closed)	Battery voltage
14	Y/PU	Optical sensor signal	ON	When optical sensor is illuminated	3.1 V or more ^{Note}	
				When optical sensor is not illuminated	0.6 V or less	
17	P	Optical sensor power supply	ON	—	Approx. 5V	
18	B	Sensor ground	ON	—	Approx. 0V	
32	GY	Combination switch output 5	ON	Lighting, turn, wiper OFF Wiper dial position 4	 <p style="text-align: right;">SKIA5291E</p>	

AUTO LIGHT SYSTEM

Terminal No.	Wire color	Signal name	Measuring condition		Reference value	
			Ignition switch	Operation or condition		
33	L	Combination switch output 4	ON	Lighting, turn, wiper OFF Wiper dial position 4	 SKIA5292E	
34	PU	Combination switch output 3	ON	Lighting, turn, wiper OFF Wiper dial position 4	 SKIA5291E	
35	Y/R	Combination switch output 2	ON	Lighting, turn, wiper OFF Wiper dial position 4	 SKIA5292E	
36	Y	Combination switch output 1				
38	W/L	Ignition switch (ON)	ON	—	Battery voltage	
39	L	CAN- H	—	—	—	
40	R	CAN- L	—	—	—	
42	GY	Battery power supply	OFF	—	Battery voltage	
52	B	Ground	ON	—	Approx. 0V	
55	W/R	Battery power supply	OFF	—	Battery voltage	
62	W	Front door switch driver side signal	OFF	Front door switch driver side	ON (open)	Approx. 0V
					OFF (closed)	Battery voltage
63	P	Rear door switch LH signal	OFF	Rear door switch LH	ON (open)	Approx. 0V
					OFF (closed)	Battery voltage

NOTE:

Optical sensor must be securely subjected to work lamp light. If the optical sensor is insufficiently illuminated, the measured value may not satisfy standard.

Terminals and Reference Values for IPDM E/R

AKS009LI

Terminal No.	Wire color	Signal name	Measuring condition		Reference value	
			Ignition switch	Operation or condition		
20	R	Headlamp low (RH)	ON	Lighting switch 2ND position	OFF	Approx. 0V
					ON	Battery voltage
22	R/L	Parking, license, and tail lamp	ON	Lighting switch 1ST position	OFF	Approx. 0V
					ON	Battery voltage
27	BR	Headlamp high (RH)	ON	Lighting switch HIGH or PASS position	OFF	Approx. 0V
					ON	Battery voltage
28	R/Y	Headlamp high (LH)	ON	Lighting switch HIGH or PASS position	OFF	Approx. 0V
					ON	Battery voltage

AUTO LIGHT SYSTEM

Terminal No.	Wire color	Signal name	Measuring condition		Reference value	
			Ignition switch	Operation or condition		
30	R/B	Headlamp low (LH)	ON	Lighting switch 2ND position	OFF	Approx. 0V
					ON	Battery voltage
38	B	Ground	ON	—	Approx. 0V	
48	L	CAN- H	—	—	—	
49	R	CAN- L	—	—	—	
60	B/W	Ground	ON	—	Approx. 0V	

How to Proceed With Trouble Diagnosis

AKS009LJ

1. Confirm the symptom or customer complaint.
2. Understand operation description and function description. Refer to [LT-72, "System Description"](#) .
3. Perform the preliminary check. Refer to [LT-80, "Preliminary Check"](#) .
4. Check symptom and repair or replace the cause of malfunction. Refer to [LT-87, "Trouble Diagnosis Chart by Symptom"](#) .
5. Does the auto light system operate normally? If YES: GO TO 6. If NO: GO TO 4.
6. INSPECTION END.

Preliminary Check

AKS009LK

SETTING CHANGE FUNCTIONS

- Sensitivity of auto light system can be adjusted using CONSULT-II. Refer to [LT-82, "WORK SUPPORT"](#) .

CHECK POWER SUPPLY AND GROUND CIRCUIT

1. CHECK FUSES

- Check fuses for blown-out.

Unit	Power source	Fuse and fusible link No.
BCM	Battery	F
		18
	Ignition switch ON or START position	1
	Ignition switch ACC or ON position	6
IPDM E/R	Battery	72
		74
		76
		86

Refer to [LT-75, "Wiring Diagram — AUTO/L —"](#) .

OK or NG

OK >> GO TO 2.

NG >> If fuse is blown, be sure to eliminate cause of malfunction before installing new fuse. Refer to [PG-3, "POWER SUPPLY ROUTING CIRCUIT"](#) .

AUTO LIGHT SYSTEM

2. CHECK POWER SUPPLY CIRCUIT

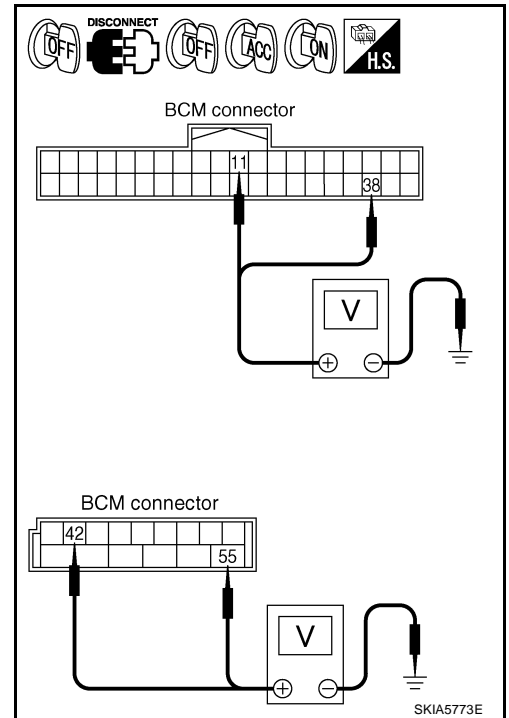
1. Turn ignition switch OFF.
2. Disconnect BCM connector.
3. Check voltage between BCM harness connector and ground.

Terminals		(-)	Ignition switch position		
(+)	Connector		Terminal (Wire color)	OFF	ACC
M1	11 (LG)	Ground	0V	Battery voltage	Battery voltage
	38 (W/L)		0V	0V	Battery voltage
M4	42 (GY)		Battery voltage	Battery voltage	Battery voltage
	55 (W/R)		Battery voltage	Battery voltage	Battery voltage

OK or NG

OK >> GO TO 3.

NG >> Check harness for open or short between BCM and fuse.



3. CHECK GROUND CIRCUIT

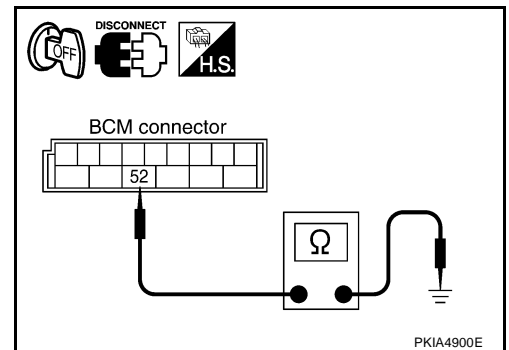
Check continuity between BCM harness connector and ground.

Terminals		Continuity
Connector	Terminal (Wire color)	
M2	52 (B)	Ground Yes

OK or NG

OK >> INSPECTION END

NG >> Check ground circuit harness.



CONSULT-II Functions (BCM)

- CONSULT-II performs the following functions communicating with BCM.

BCM diagnosis part	Check item, diagnosis mode	Description
HEAD LAMP	WORK SUPPORT	Changes the setting for each function.
	DATA MONITOR	Displays BCM input data in real time.
	ACTIVE TEST	Operation of electrical loads can be checked by sending drive signal to them.
BCM	CAN DIAG SUPPORT MNTR	The result of transmit/receive diagnosis of CAN communication can be read.

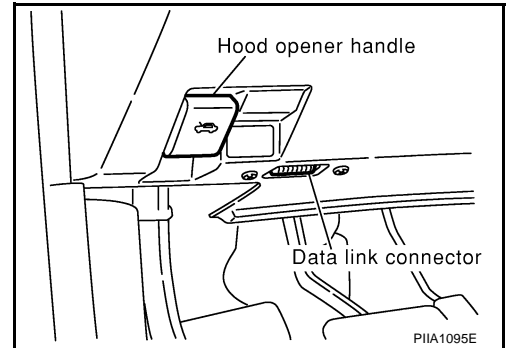
AUTO LIGHT SYSTEM

CONSULT-II BASIC OPERATION

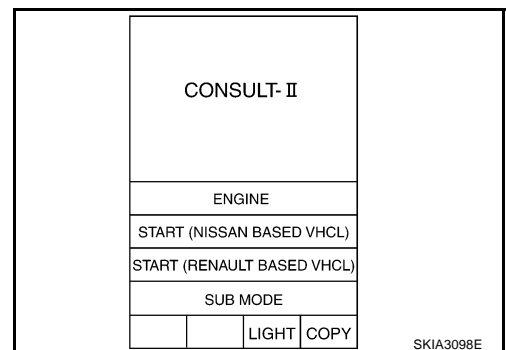
CAUTION:

If CONSULT-II is used with no connection of CONSULT-II CONVERTER, malfunctions might be detected in self-diagnosis depending on control unit which carry out CAN communication.

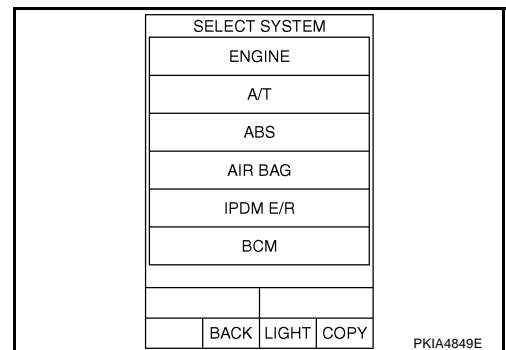
1. With the ignition switch OFF, connect CONSULT-II and CONSULT-II CONVERTER to the data link connector, then turn ignition switch ON.



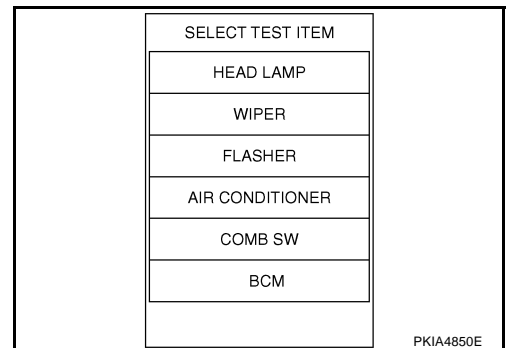
2. Touch "START (NISSAN BASED VHCL)".



3. Touch "BCM" on "SELECT SYSTEM" screen.
If "BCM" is not indicated, refer to [GI-38, "CONSULT-II Data Link Connector \(DLC\) Circuit"](#).



4. Touch "HEAD LAMP" on "SELECT TEST ITEM" screen.



WORK SUPPORT

Operation Procedure

1. Touch "HEAD LAMP" on "SELECT TEST ITEM" screen.
2. Touch "WORK SUPPORT" on "SELECT DIAG MODE" screen.
3. Touch "CUSTOM A/LIGHT SETTING" or "ILL DELAY SET" on "SELECT WORK ITEM" screen.
4. Touch "START".

AUTO LIGHT SYSTEM

5. Touch “NORMAL” or “MODE 2 - 4” of setting to be changed (CUSTOM A/LIGHT SETTING), Touch “MODE1–8” of setting to be changed. (ILL DELAY SET)
6. Touch “SETTING CHANGE”.
7. The setting will be changed and “CUSTOMIZING COMPLETED” will be displayed.
8. Touch “END”.

Work Support Setting Item

- Sensitivity of auto light can be selected and set from four modes.

Work item	Description
CUSTOM A/LIGHT SETTING	Auto light sensitivity can be changed in this mode. Sensitivity can be adjusted in four modes. ● MODE 1 (Normal)/ MODE 2 (sensitive)/MODE 3 (Desensitized)/MODE4 (Insensitive)
ILL DELAY SET	Auto light delay off timer period can be changed in this mode. Selects auto light delay off timer period among eight modes. ● MODE 1 (45 sec.)/MODE 2 (OFF)/MODE 3 (30 sec.)/MODE 4 (60 sec.)/MODE 5 (90 sec.)/MODE 6 (120 sec.)/MODE 7 (150 sec.)/MODE 8 (180 sec.)

DATA MONITOR

Operation Procedure

1. Touch “HEAD LAMP” on “SELECT TEST ITEM” screen.
2. Touch “DATA MONITOR” on “SELECT DIAG MODE” screen.
3. Touch either “ALL SIGNALS” or “SELECTION FROM MENU” on “DATA MONITOR” screen.

ALL SIGNALS	Monitors all the signals.
SELECTION FROM MENU	Selects and monitors individual signal.

4. Touch “START”.
5. When “SELECTION FROM MENU” is selected, touch individual items to be monitored. When “ALL SIGNALS” is selected, all the items will be monitored.
6. Touch “RECORD” while monitoring, then the status of the monitored item can be recorded. To stop recording, touch “STOP”.

Display Item List

Monitor item	Contents
IGN ON SW “ON/OFF”	Displays “IGN position (ON)/OFF, ACC position (OFF)” judged from the ignition switch signal.
ACC ON SW “ON/OFF”	Displays “ACC (ON)/OFF, Ignition OFF (OFF)” status judged from ignition switch signal.
HI BEAM SW “ON/OFF”	Displays status (high beam switch: ON/Others: OFF) of high beam switch judged from lighting switch signal.
HEAD LAMP SW 1 “ON/OFF”	Displays status (headlamp switch 1: ON/Others: OFF) of headlamp switch 2 judged from lighting switch signal.
HEAD LAMP SW 2 “ON/OFF”	Displays status (headlamp switch 2: ON/Others: OFF) of headlamp switch 2 judged from lighting switch signal.
LIGHT SW 1 ST “ON/OFF”	Displays status (lighting switch 1st position: ON/Others: OFF) of lighting switch judged from lighting switch signal.
AUTO LIGHT SW “ON/OFF”	Displays status of the lighting switch as judged from the lighting switch signal. (AUTO position: ON/Other than AUTO position: OFF)
PASSING SW “ON/OFF”	Displays status (flash-to-pass switch: ON/Others: OFF) of flash-to-pass switch judged from lighting switch signal.
FR FOG SW “ON/OFF”	Displays status (front fog lamp switch: ON/Others: OFF) of front fog lamp switch judged from lighting switch signal.
DOOR SW - DR “ON/OFF”	Displays status of the driver door as judged from the driver door switch signal. (Door is open: ON/Door is closed: OFF)
DOOR SW - AS “ON/OFF”	Displays status of the passenger door as judged from the passenger door switch signal. (Door is open: ON/Door is closed: OFF)

AUTO LIGHT SYSTEM

Monitor item	Contents
DOOR SW - RR "ON/OFF"	Displays status of the rear door as judged from the rear door switch (RH) signal. (Door is open: ON/Door is closed: OFF)
DOOR SW - RL "ON/OFF"	Displays status of the rear door as judged from the rear door switch (LH) signal. (Door is open: ON/Door is closed: OFF)
BACK DOOR SW ^{Note 1} "OFF"	—
TURN SIGNAL R "ON/OFF"	Displays status (Turn right: ON/Others: OFF) as judged from lighting switch signal.
TURN SIGNAL L "ON/OFF"	Displays status (Turn left: ON/Others: OFF) as judged from lighting switch signal.
CARGO LAMP SW ^{Note 1} "OFF"	—
OPTICAL SENSOR ^{Note 2} [0 - 5V]	Displays "ambient light (close to 5V when light/close to 0V when dark)" judged from optical sensor signal.

NOTE:

1. This item is displayed, but cannot monitor it.
2. Vehicles without auto light system display this item, but cannot monitor it.

ACTIVE TEST

Operation Procedure

1. Touch "HEAD LAMP" on "SELECT TEST ITEM" screen.
2. Touch "ACTIVE TEST" on "SELECT DIAG MODE" screen.
3. Touch item to be tested and check operation of the selected item.
4. During the operation check, touching "BACK" deactivates the operation.

Display Item List

Test item	Description
TAIL LAMP	Allows tail lamp relay to operate by switching ON-OFF.
HEAD LAMP	Allows headlamp relay to operate by switching ON-OFF.
FR FOG LAMP	Allows fog lamp relay to operate by switching ON-OFF.
CORNERING LAMP ^{Note}	—
CARGO LAMP ^{Note}	—

NOTE:

This item is displayed, but cannot monitor it.

AUTO LIGHT SYSTEM

CONSULT-II Functions (IPDM E/R)

AKS009LM

CONSULT-II performs the following functions communicating with IPDM E/R.

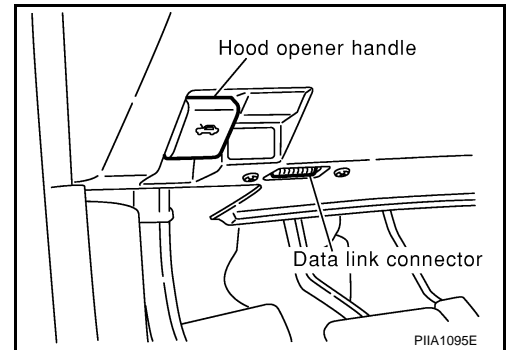
Check Item, Diagnosis Mode	Description
SELF-DIAGNOSTIC RESULTS	The IPDM E/R performs self-diagnosis of CAN communication.
DATA MONITOR	The input/output data of the IPDM E/R is displayed in real time.
CAN DIAG SUPPORT MNTR	The result of transmit/receive diagnosis of CAN communication can be read.
ACTIVE TEST	The IPDM E/R sends a drive signal to electronic components to check their operation.

CONSULT-II OPERATION

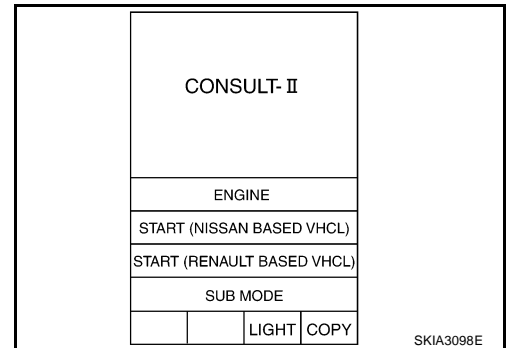
CAUTION:

If CONSULT-II is used with no connection of CONSULT-II CONVERTER, malfunctions might be detected in self-diagnosis depending on control unit which carry out CAN communication.

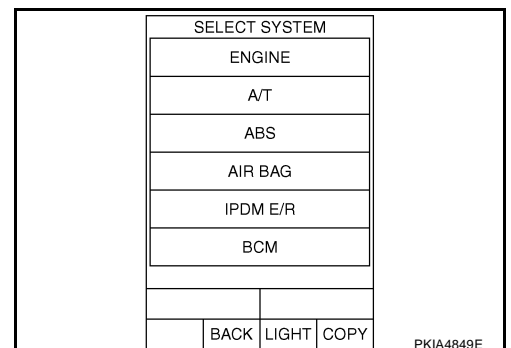
1. With the ignition switch OFF, connect CONSULT-II and CONSULT-II CONVERTER to the data link connector, then turn the ignition switch ON.



2. Touch "START (NISSAN BASED VHCL)".

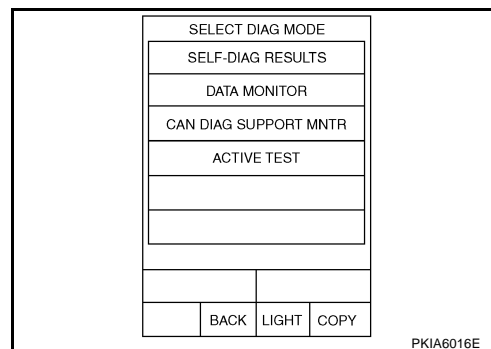


3. Touch "IPDM E/R" on "SELECT SYSTEM" screen. If "IPDM E/R" is not displayed, print "SELECT SYSTEM" screen, then refer to [GI-38, "CONSULT-II Data Link Connector \(DLC\) Circuit"](#).



AUTO LIGHT SYSTEM

- Select the desired part to be diagnosed on the “SELECT DIAG MODE” screen.



DATA MONITOR

Operation Procedure

- Touch “DATA MONITOR” on “SELECT DIAG MODE ” screen.
- Touch “ALL SIGNALS”, “MAIN SIGNALS” or “SELECTION FROM MENU” on “DATA MONITOR” screen.

ALL SIGNALS	All items will be monitored.
MAIN SIGNALS	Monitor the predetermined item.
SELECTION FROM MENU	Select any item for monitoring.

- Touch “START”.
- Touch the required monitoring item on “SELECTION FROM MENU”. In “ALL SIGNALS”, all items are monitored. In “MAIN SIGNALS”, predetermined items are monitored.
- Touch “RECORD” while monitoring to record the status of the item being monitored. To stop recording, touch “STOP”.

All Signals, Main Signals, Selection From Menu

Item name	CONSULT-II screen display	Display or unit	Monitor item selection			Description
			ALL SIGNALS	MAIN SIGNALS	SELECTION FROM MENU	
Position lights request	TAIL & CLR REQ	ON/OFF	×	×	×	Signal status input from BCM
Headlamp low beam request	HL LO REQ	ON/OFF	×	×	×	Signal status input from BCM
Headlamp high beam request	HL HI REQ	ON/OFF	×	×	×	Signal status input from BCM
Front fog lights request	FR FOG REQ	ON/OFF	×	×	×	Signal status input from BCM

NOTE:

Perform monitoring of IPDM E/R data with the ignition switch ON. When the ignition switch is at ACC, the display may not be correct.

ACTIVE TEST

Operation Procedure

- Touch “ACTIVE TEST” on “SELECT DIAG MODE” screen.
- Touch item to be tested, and check operation.
- Touch “START”.
- Touch “STOP” while testing to stop the operation.

Test item	CONSULT-II screen display	Description
Headlamp relay (HI, LO) output	LAMPS	Allows headlamp relay (HI, LO) to operate by switching operation (OFF, HI ON, LO ON) at your option.
Front fog lamp relay output		Allows fog lamp relay to operate by switching operation ON-OFF at your option
Tail lamp relay output	TAIL LAMP	Allows tail lamp relay to operate by switching operation ON-OFF at your option

SELF-DIAGNOSTIC RESULTS

Refer to [PG-19, "SELF-DIAG RESULTS"](#) .

AUTO LIGHT SYSTEM

Trouble Diagnosis Chart by Symptom

AKS009LN

Trouble phenomenon	Malfunction system and reference
<ul style="list-style-type: none"> ● Parking lamps and headlamps will not illuminate when outside of the vehicle becomes dark. (Lighting switch 1st position and 2nd position operate normally.) ● Parking lamps and headlamp will not go out when outside of the vehicle becomes light. (Lighting switch 1st position and 2nd position operate normally.) ● Headlamps go out when outside of the vehicle becomes light, but parking lamps stay on. 	<ul style="list-style-type: none"> ● Refer to LT-82, "WORK SUPPORT" . ● Refer to LT-87, "Lighting Switch Inspection" . ● Refer to LT-88, "Optical sensor System Inspection" . <p>If above systems are normal, replace BCM.</p>
<p>Parking lamps illuminate when outside of the vehicle becomes dark, but headlamps stay off. (Lighting switch 1st position and 2nd position operate normally.)</p>	<ul style="list-style-type: none"> ● Refer to LT-82, "WORK SUPPORT" . ● Refer to LT-88, "Optical sensor System Inspection" . <p>If above systems are normal, replace BCM.</p>
<p>Auto light adjustment system will not operate. (Lighting switch AUTO, 1st position and 2nd position operate normally.)</p>	<ul style="list-style-type: none"> ● Refer to LT-88, "Optical sensor System Inspection" . <p>If above system is normal, replace BCM.</p>
<p>Auto light adjustment system of combination meter will not operate.</p>	<ul style="list-style-type: none"> ● CAN communication line inspection between BCM and combination meter. Refer to BCS-14, "CAN Communication Inspection Using CONSULT-II (Self-Diagnosis)" .
<p>Shut off delay feature will not operate.</p>	<ul style="list-style-type: none"> ● CAN communication line inspection between BCM and combination meter. Refer to BCS-14, "CAN Communication Inspection Using CONSULT-II (Self-Diagnosis)" . ● Refer to BL-69, "Check Door Switch" . <p>If above system is normal, replace BCM.</p>

Lighting Switch Inspection

AKS009LO

1. CHECK LIGHTING SWITCH INPUT SIGNAL

Ⓟ With CONSULT-II

Select "BCM" on CONSULT-II. With "HEAD LAMP" data monitor, make sure "AUTO LIGHT SW" turns ON-OFF linked with operation of lighting switch.

When lighting switch is AUTO : AUTO LIGHT SW ON position

ⓧ With out CONSULT-II

Refer to [LT-129, "Combination Switch Inspection"](#) .

OK or NG

OK >> INSPECTION END

NG >> Check lighting switch. Refer to [LT-129, "Combination Switch Inspection"](#) .

DATA MONITOR			
MONITOR		NO DTC	
AUTO LIGHT SW		ON	
RECORD			
MODE	BACK	LIGHT	COPY

PKIA7745E

AUTO LIGHT SYSTEM

AKS009LP

Optical sensor System Inspection

1. CHECK OPTICAL SENSOR INPUT SIGNAL

④ With CONSULT-II

Select "BCM" on CONSULT-II. With "HEAD LAMP" data monitor, make sure "OPTICAL SENSOR", check difference in the voltage when the auto light sensor is illuminated and not illuminated.

Illuminated

OPTICAL SENSOR : 3.1V or more

Not illuminated

OPTICAL SENSOR : 0.6V or less

CAUTION:

Optical sensor must be securely subjected to work lamp light. If the optical sensor is insufficiently illuminated, the measured value may not satisfy the standard.

⊗ With out CONSULT-II

GO TO 2.

OK or NG

OK >> INSPECTION END

NG >> GO TO 2.

DATA MONITOR			
MONITOR		NO DTC	
OPTICAL SENSOR		0.75V	
RECORD			
MODE	BACK	LIGHT	COPY

PKIA7746E

2. CHECK OPTICAL SENSOR POWER SUPPLY CIRCUIT

1. Turn ignition switch OFF.
2. Disconnect BCM connector and optical sensor connector.
3. Check continuity (open circuit) between BCM harness connector M1 terminal 17 (P) and optical sensor harness connector M63 terminal 1 (P).

17 (P) – 1 (P) : Continuity should exist.

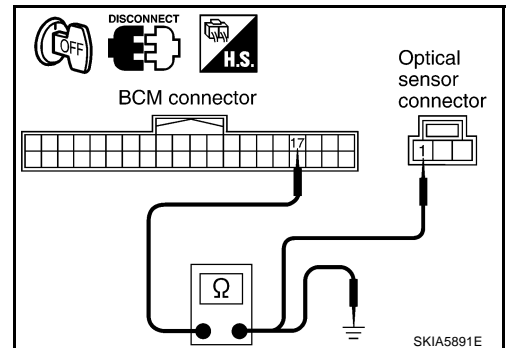
4. Check continuity (short circuit) between BCM harness connector M3 terminal 17 (P) and ground.

17 (P) – Ground : Continuity should not exist.

OK or NG

OK >> GO TO 3.

NG >> Repair harness or connector.



3. CHECK OPTICAL SENSOR POWER SUPPLY CIRCUIT

1. Check continuity (open circuit) between BCM harness connector M1 terminal 14 (Y/PU) and optical sensor harness connector M63 terminal 2 (Y/PU).

14 (Y/PU) – 2 (Y/PU) : Continuity should exist.

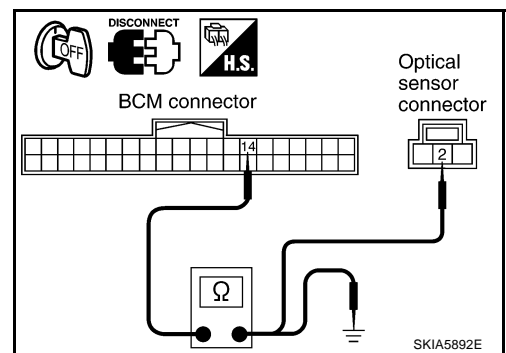
2. Check continuity (short circuit) between BCM harness connector M1 terminal 14 (Y/PU) and ground.

14 (Y/PU) – Ground : Continuity should not exist.

OK or NG

OK >> GO TO 4.

NG >> Repair harness or connector.



AUTO LIGHT SYSTEM

4. CHECK OPTICAL SENSOR POWER SUPPLY CIRCUIT

1. Check continuity (open circuit) between BCM harness connector M1 terminal 18 (B) and optical sensor harness connector M63 terminal 3 (B).

18 (B) – 3 (B) : Continuity should exist.

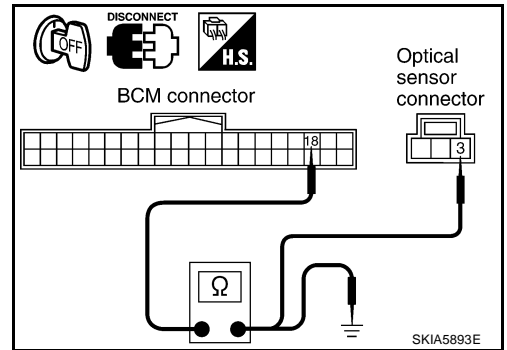
2. Check continuity (short circuit) between BCM harness connector M1 terminal 18 (B) and ground.

18 (B) – Ground : Continuity should not exist.

OK or NG

OK >> GO TO 5.

NG >> Repair harness or connector.



5. CHECK OPTICAL SENSOR VOLTAGE

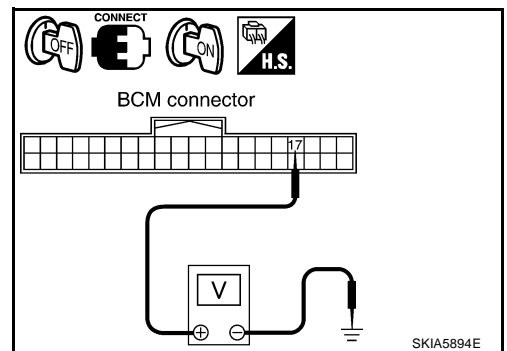
1. Connect BCM connector.
2. Turn ignition switch ON.
3. Check voltage between BCM harness connector M1 terminal 17 (P) and ground.

17 (P) – Ground : Approx. 5V should exist.

OK or NG

OK >> Replace the optical sensor.

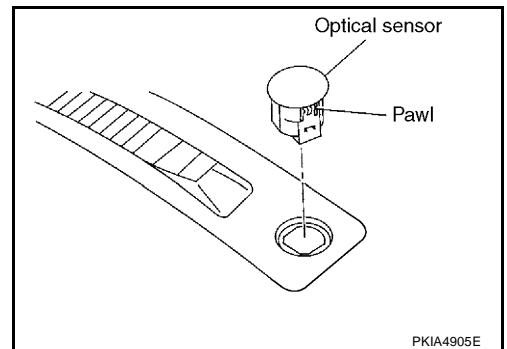
NG >> Replace BCM. Refer to [BCS-15, "Removal and Installation of BCM"](#).



Removal and Installation for Optical Sensor

REMOVAL

1. Insert a screwdriver or similar tool and remove front defroster grill (LH). Refer to [IP-15, "\(W\) Front Defroster Grille \(RH/LH\)"](#) in "IP" section.
2. Disconnect optical sensor connector.
3. Remove optical sensor.



INSTALLATION

Install in the reverse order of removal.

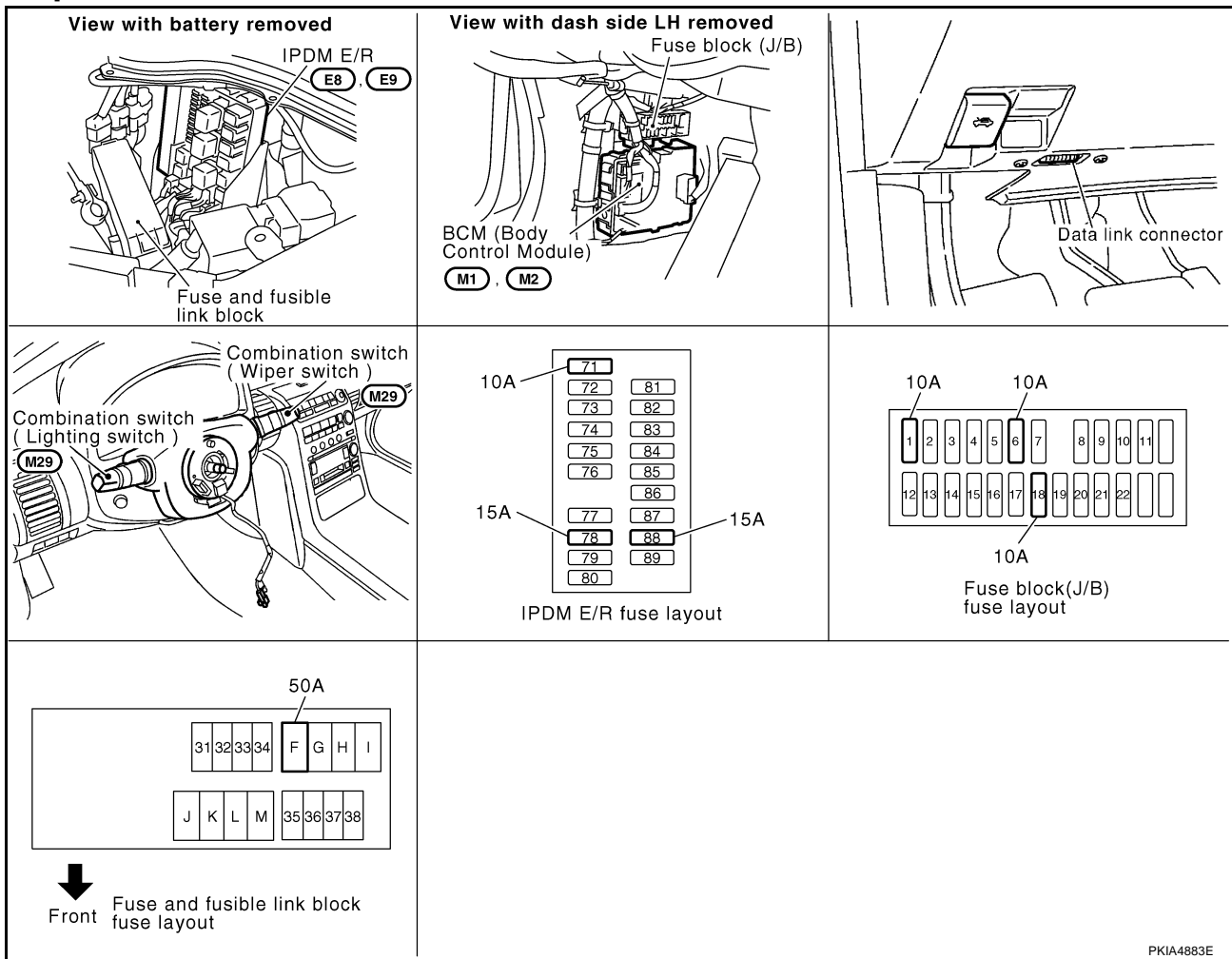
FRONT FOG LAMP

FRONT FOG LAMP

PFP:26150

Component Parts and Harness Connector Location

AKS009KJ



PKIA4883E

System Description

AKS009KK

Control of the fog lamps is dependent upon the position of the combination switch (lighting switch). The lighting switch must be in the 2ND position or AUTO position (LOW beam is ON) for front fog lamp operation. When the lighting switch is placed in the fog lamp position the BCM (body control module) receives input signal requesting the fog lamps to illuminate. When the headlamps are illuminated, this input signal is communicated to the IPDM E/R (intelligent power distribution module engine room) across the CAN communication lines. The CPU (central processing unit) of the IPDM E/R (intelligent power distribution module engine room) controls the front fog lamp relay coil. When activated, this relay directs power to the front fog lamps.

OUTLINE

Power is supplied at all times

- through 15A fuse [No. 88, located in IPDM E/R (intelligent power distribution module engine room)]
- to front fog lamp relay [located in IPDM E/R (intelligent power distribution module engine room)]
- through 15A fuse [No. 78, located in IPDM E/R (intelligent power distribution module engine room)]
- to CPU (central processing unit) [located in IPDM E/R (intelligent power distribution module engine room)]
- through 10A fuse [No. 71, located in IPDM E/R (intelligent power distribution module engine room)]
- to CPU (central processing unit) [located in IPDM E/R (intelligent power distribution module engine room)].

Power is also supplied at all times

- through 50A fusible link (letter F, located in fuse and fusible link block)
- to BCM (body control module) terminal 55
- through 10A fuse [No. 18, located in fuse block (J/B)]

FRONT FOG LAMP

- to BCM (body control module) terminal 42.

When the ignition switch is in ON or START position, power is supplied

- through 10A fuse [No. 1 located in fuse block (J/B)]
- to BCM (body control module) terminal 38.

When the ignition switch is in ACC or ON position, power is supplied

- through 10A fuse [No. 6, located in fuse block (J/B)]
- to BCM (body control module) terminal 11.

Ground is supplied

- to BCM (body control module) terminal 52
- through grounds M30 and M66
- to IPDM E/R (intelligent power distribution module engine room) terminals 38 and 60
- through grounds E17 and E43.

Fog Lamp Operation (For USA)

The fog lamp switch is built into the combination switch. The lighting switch must be in the 2ND position or AUTO position (LOW beam is ON) and the fog lamp switch must be ON for fog lamp operation.

With the fog lamp switch in the ON position, the CPU of the IPDM E/R grounds the coil side of the fog lamp relay. The fog lamp relay then directs power

- through IPDM E/R terminal 37
- to front fog lamp LH terminal 1
- through IPDM E/R terminal 36
- to front fog lamp RH terminal 1.

Ground is supplied

- to front fog lamp LH terminal 8
- through grounds E17 and E43, and
- to front fog lamp RH terminal 8
- through grounds E17 and E43.

With power and grounds supplied, the front fog lamps illuminate.

Fog Lamp Operation (For CANADA)

The fog lamp switch is built into the combination switch. The lighting switch must be in the 2ND position or AUTO position (LOW beam is ON) and the fog lamp switch must be ON for fog lamp operation.

With the fog lamp switch in the ON position, the CPU of the IPDM E/R grounds the coil side of the fog lamp relay. The fog lamp relay then directs power

- to front combination lamp LH terminal 1
- through daytime light relay-1 terminal 3
- to daytime light relay-1 terminal 2 and 5
- through IPDM E/R terminal 37
- to front combination lamp RH terminal 1
- through IPDM E/R terminal 36.

Ground is supplied

- to front combination lamp LH terminal 8
- through daytime light control unit terminal 7
- to daytime light control unit terminal 9
- through grounds E17 and E43
- to front combination lamp RH terminal 8
- through grounds E17 and E43.

With power and grounds supplied, the front fog lamps illuminate.

COMBINATION SWITCH READING FUNCTION

Refer to [BCS-3. "COMBINATION SWITCH READING FUNCTION"](#) .

FRONT FOG LAMP

EXTERIOR LAMP BATTERY SAVER CONTROL

When the combination switch (lighting switch) is in the 2ND position (ON), the fog lamp switch is ON, and the ignition switch is turned from ON or ACC to OFF, the battery saver control feature is activated.

Under this condition, the fog lamps (and headlamps) remain illuminated for 5 minutes, then the fog lamps (and headlamps) are turned off.

Exterior lamp battery saver control mode can be changed by the function setting of CONSULT-II.

CAN Communication System Description

AKS009KL

CAN (Controller Area Network) is a serial communication line for real time application. It is an on-vehicle multiplex communication line with high data communication speed and excellent error detection ability. Many electronic control units are equipped onto a vehicle, and each control unit shares information and links with other control units during operation (not independent). In CAN communication, control units are connected with 2 communication lines (CAN H line, CAN L line) allowing a high rate of information transmission with less wiring. Each control unit transmits/receives data but selectively reads required data only.

CAN Communication Unit

AKS009KM

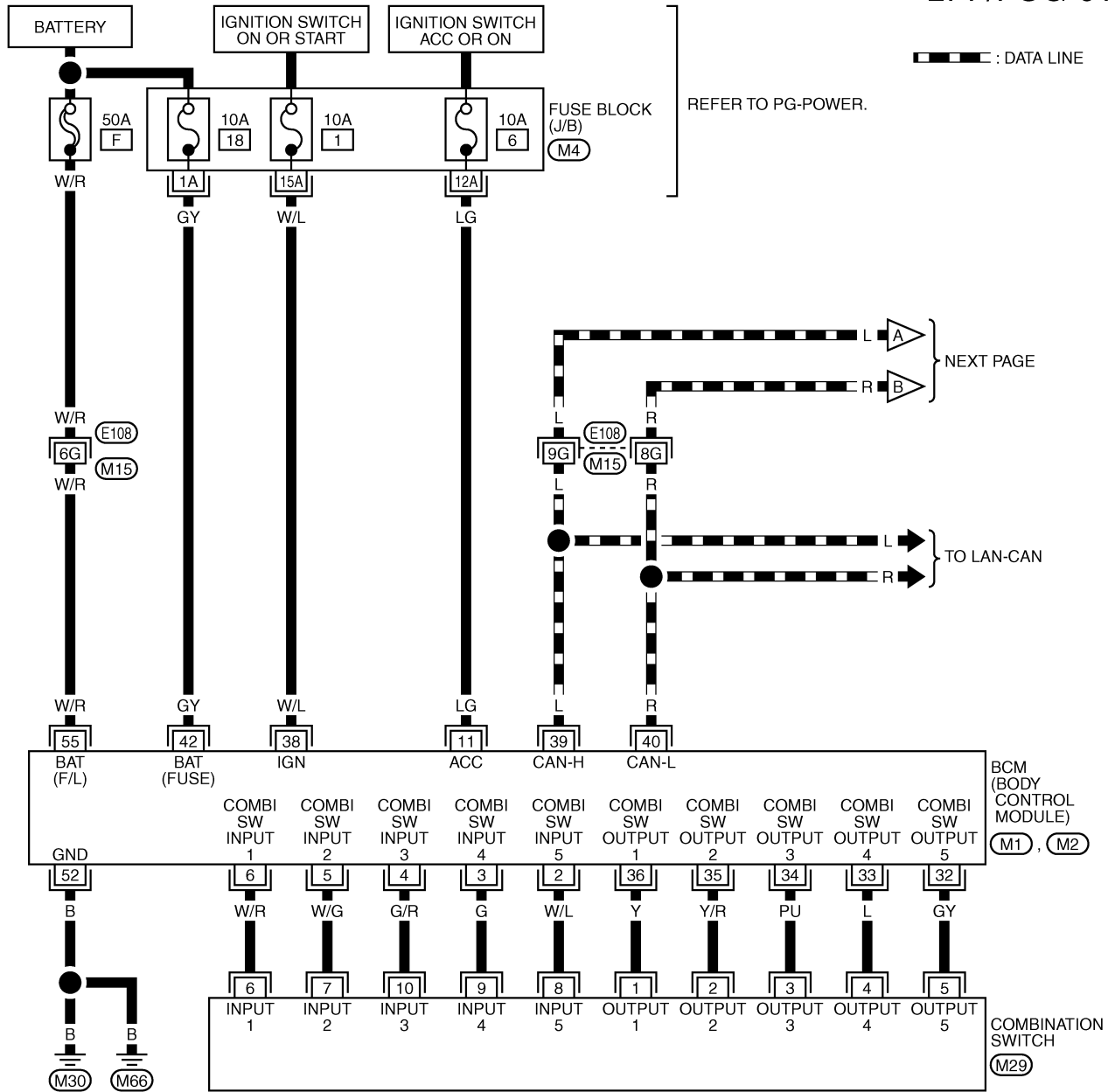
Refer to [LAN-4, "CAN Communication Unit"](#) .

FRONT FOG LAMP

Wiring Diagram — F/FOG — USA MODELS

AKS009KN

LT-F/FOG-01



7	8	9	10	13	12	
6	5	4	3	2	1	11

M29
W

REFER TO THE FOLLOWING.

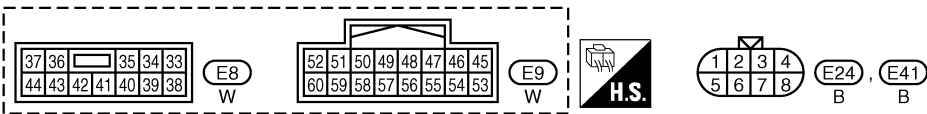
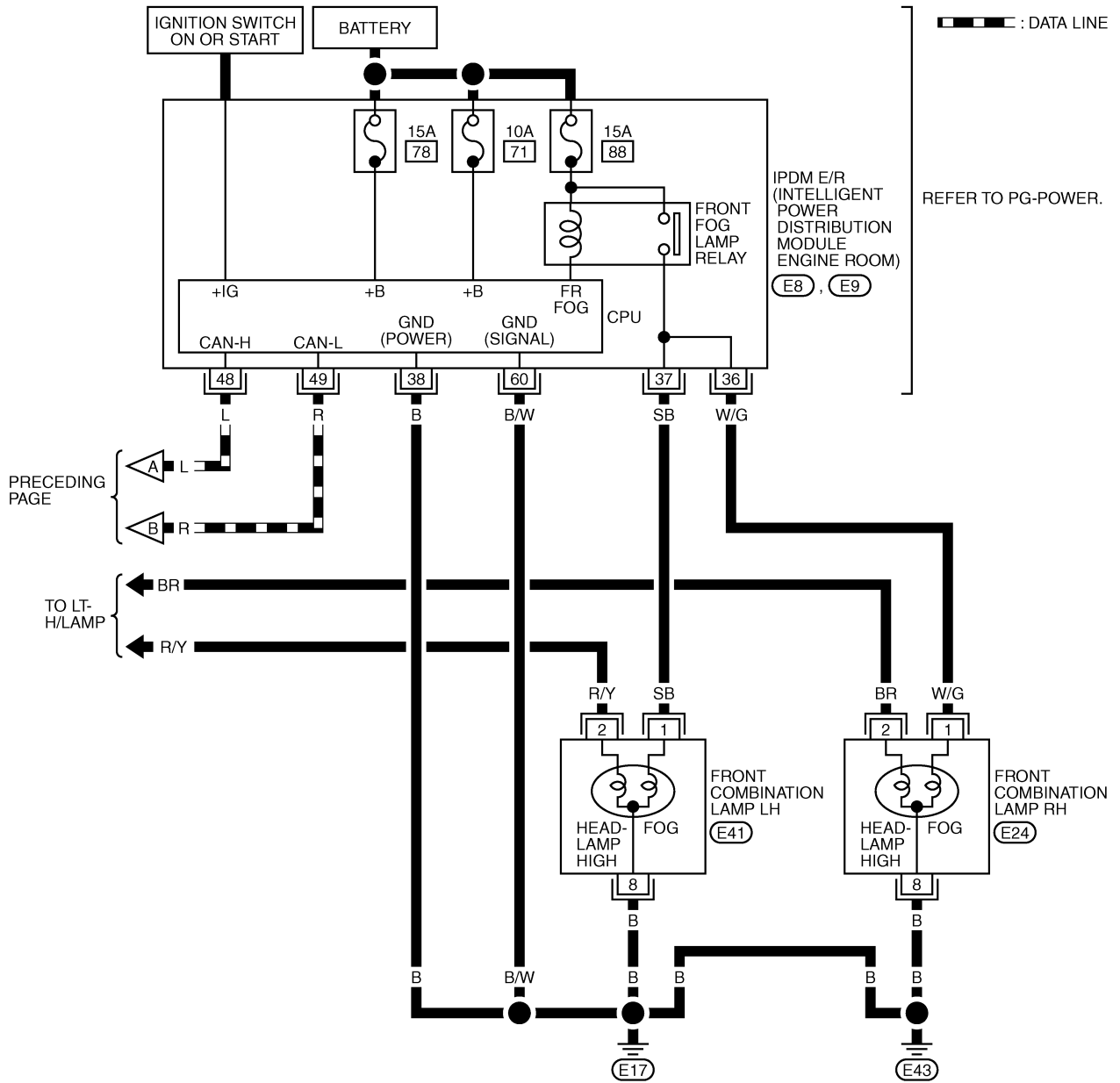
E108 -SUPER MULTIPLE JUNCTION (SMJ)

M4 -FUSE BLOCK-JUNCTION BOX (J/B)

M1, M2 -ELECTRICAL UNITS

FRONT FOG LAMP

LT-F/FOG-02

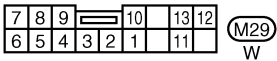
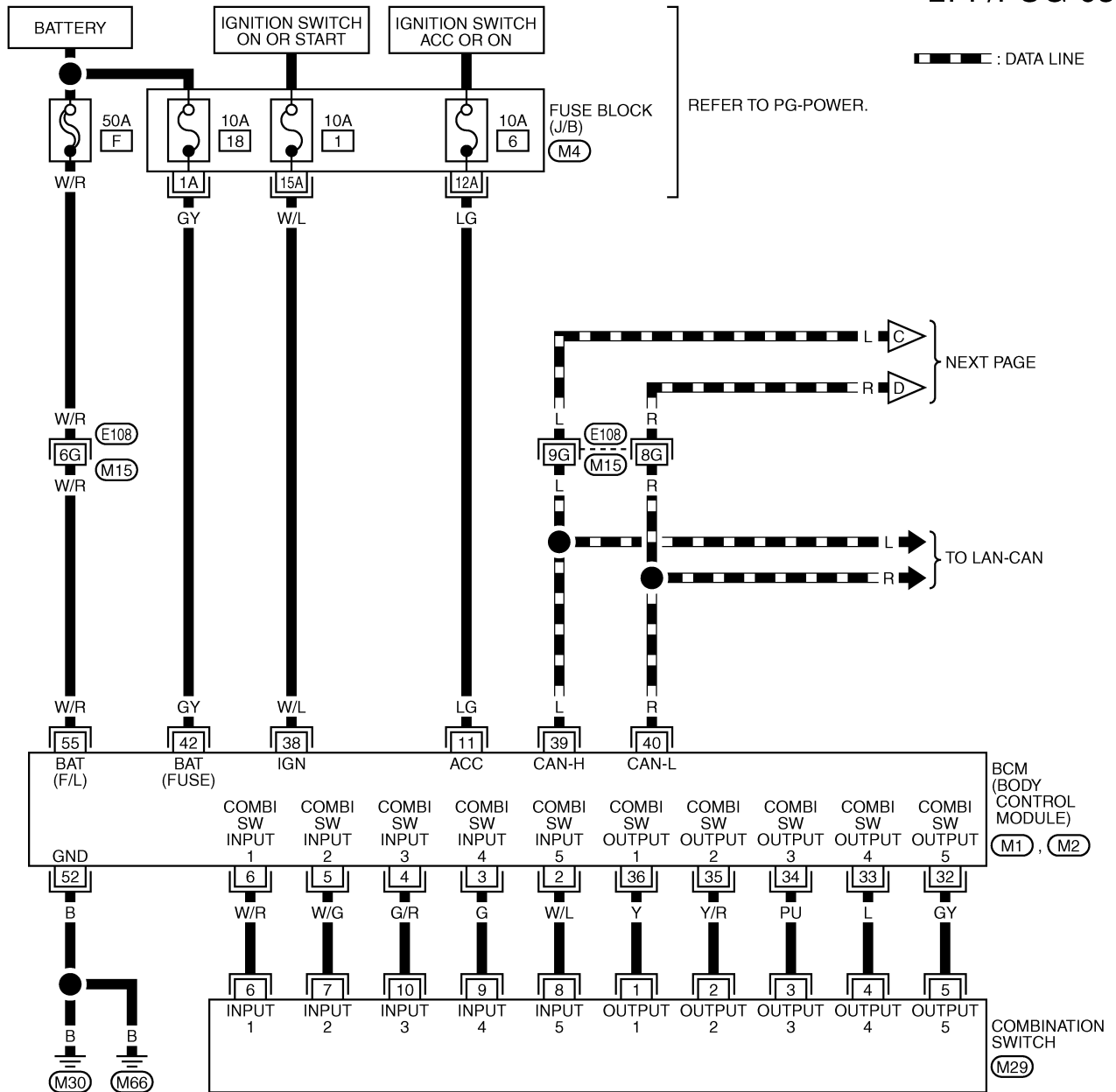


TKWT1420E

FRONT FOG LAMP

CANADA MODELS

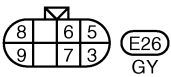
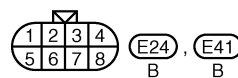
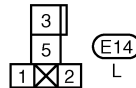
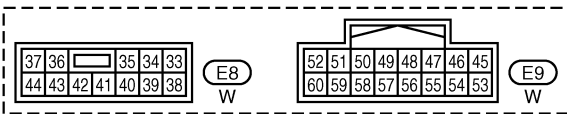
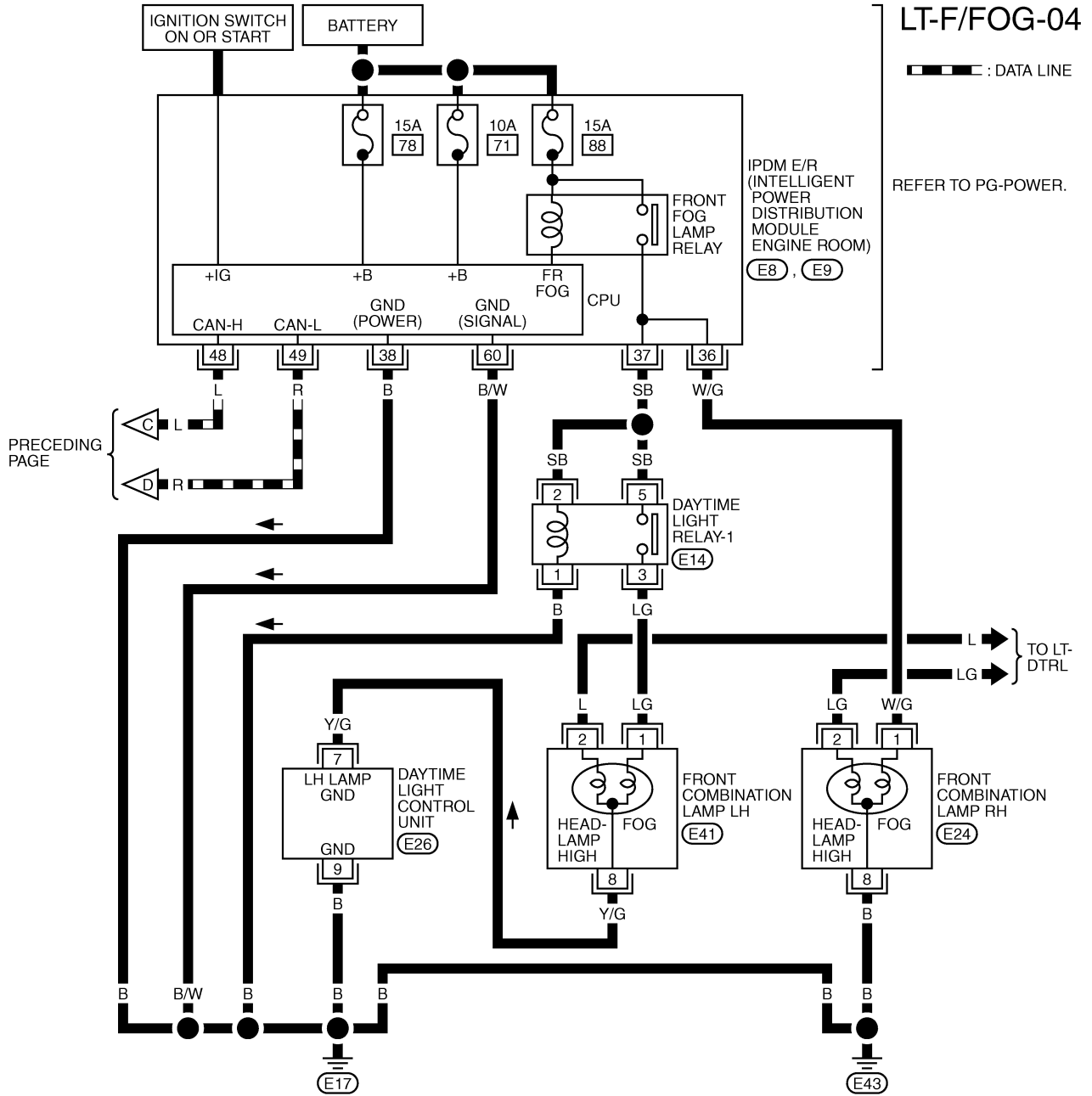
LT-F/FOG-03



REFER TO THE FOLLOWING.

- (E108) -SUPER MULTIPLE JUNCTION (SMJ)
- (M4) -FUSE BLOCK-JUNCTION BOX (J/B)
- (M1), (M2) -ELECTRICAL UNITS



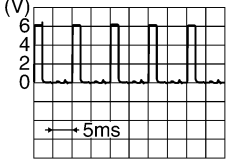
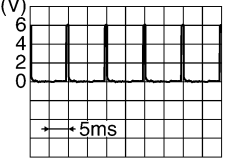



FRONT FOG LAMP



FRONT FOG LAMP

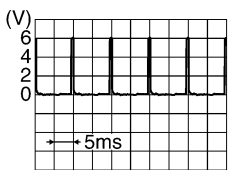
Terminals and Reference Values for BCM

AKS009KO

Terminal No.	Wire color	Signal name	Measuring condition		Reference value
			Ignition switch	Operation or condition	
2	W/L	Combination switch input 5	ON	Lighting, turn, wiper OFF Wiper dial position 4	 <p style="text-align: right;">SKIA5291E</p>
3	G	Combination switch input 4	ON	Lighting, turn, wiper OFF Wiper dial position 4	 <p style="text-align: right;">SKIA5292E</p>
4	G/R	Combination switch input 3	ON	Lighting, turn, wiper OFF Wiper dial position 4	 <p style="text-align: right;">SKIA5291E</p>
5	W/G	Combination switch input 2	ON	Lighting, turn, wiper OFF Wiper dial position 4	 <p style="text-align: right;">SKIA5292E</p>
6	W/R	Combination switch input 1			
11	LG	Ignition switch (ACC)	ACC	—	Battery voltage
32	GY	Combination switch output 5	ON	Lighting, turn, wiper OFF Wiper dial position 4	 <p style="text-align: right;">SKIA5291E</p>
33	L	Combination switch output 4	ON	Lighting, turn, wiper OFF Wiper dial position 4	 <p style="text-align: right;">SKIA5292E</p>
34	PU	Combination switch output 3	ON	Lighting, turn, wiper OFF Wiper dial position 4	 <p style="text-align: right;">SKIA5291E</p>

A
B
C
D
E
F
G
H
I
J
LT
L
M

FRONT FOG LAMP

Terminal No.	Wire color	Signal name	Measuring condition		Reference value
			Ignition switch	Operation or condition	
35	Y/R	Combination switch output 2	ON	Lighting, turn, wiper OFF Wiper dial position 4	 SKIA5292E
36	Y	Combination switch output 1			
38	W/L	Ignition switch (ON)	ON	—	Battery voltage
39	L	CAN- H	—	—	—
40	R	CAN- L	—	—	—
42	GY	Battery power supply	OFF	—	Battery voltage
52	B	Ground	ON	—	Approx. 0V
55	W/R	Battery power supply	OFF	—	Battery voltage

Terminals and Reference Values for IPDM E/R

AKS009KP

Terminal No.	Wire color	Signal name	Measuring condition			Reference value
			Ignition switch	Operation or condition		
36	W/G	Front fog lamp (RH)	ON	Lighting switch must be in the 2ND position or AUTO position (LOW beam is ON) and the front fog lamp switch must be ON	OFF	Approx. 0V
					ON	Battery voltage
37	SB	Front fog lamp (LH)	ON	Lighting switch must be in the 2ND position or AUTO position (LOW beam is ON) and the front fog lamp switch must be ON	OFF	Approx. 0V
					ON	Battery voltage
38	B	Ground	ON	—	Approx. 0V	
48	L	CAN- H	—	—	—	
49	R	CAN- L	—	—	—	
60	B/W	Ground	ON	—	Approx. 0V	

How to Proceed With Trouble Diagnosis

AKS009KQ

1. Confirm the symptom or customer complaint.
2. Understand operation description and function description. Refer to [LT-90, "System Description"](#) .
3. Perform the Preliminary Check. Refer to [LT-98, "Preliminary Check"](#) .
4. Check symptom and repair or replace the cause of malfunction.
5. Does the front fog lamp operate normally? If YES: GO TO 6. If NO: GO TO 4.
6. INSPECTION END

Preliminary Check

AKS009KR

CHECK POWER SUPPLY AND GROUND CIRCUIT

1. CHECK FUSES

- Check fuses for blown-out.

Unit	Power source	Fuse and fusible link No.
BCM	Battery	F
		18
	Ignition switch ON or START position	1
	Ignition switch ACC or ON position	6

FRONT FOG LAMP

Unit	Power source	Fuse and fusible link No.
IPDM E/R	Battery	71
		78
		88

Refer to [LT-93, "Wiring Diagram — F/FOG —"](#) .

OK or NG

OK >> GO TO 2.

NG >> If fuse is blown, be sure to eliminate cause of malfunction before installing new fuse. Refer to [PG-3, "POWER SUPPLY ROUTING CIRCUIT"](#) .

2. CHECK POWER SUPPLY CIRCUIT

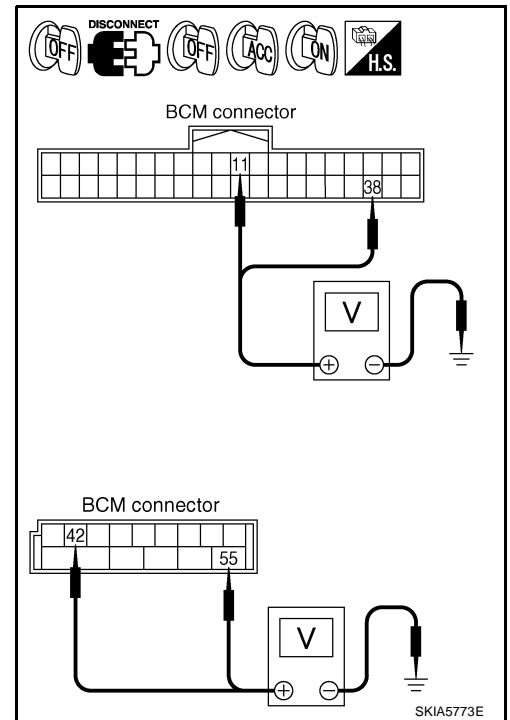
1. Turn ignition switch OFF.
2. Disconnect BCM connector.
3. Check voltage between BCM harness connector and ground.

Terminals		(-)	Ignition switch position		
(+)	Terminal (Wire color)		OFF	ACC	ON
M1	11 (LG)	Ground	0V	Battery voltage	Battery voltage
	38 (W/L)		0V	0V	Battery voltage
M2	42 (GY)		Battery voltage	Battery voltage	Battery voltage
	55 (W/R)		Battery voltage	Battery voltage	Battery voltage

OK or NG

OK >> GO TO 3.

NG >> Check harness for open or short between BCM and fuse.



3. CHECK GROUND CIRCUIT

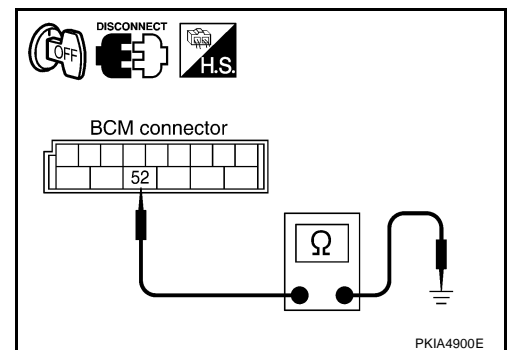
Check continuity between BCM harness connector and ground.

Terminals		Ground	Continuity
Connector	Terminal (Wire color)		
M2	52 (B)	Ground	Yes

OK or NG

OK >> INSPECTION END

NG >> Check ground circuit harness.



CONSULT-II Functions

Refer to [LT-19, "CONSULT-II Functions \(BCM\)"](#) in HEAD LAMP (FOR USA).

Refer to [LT-22, "CONSULT-II Functions \(IPDM E/R\)"](#) in HEAD LAMP (FOR USA).

Refer to [LT-55, "CONSULT-II Functions \(BCM\)"](#) in HEADLAMP (FOR CANADA).

Refer to [LT-58, "CONSULT-II Functions \(IPDM E/R\)"](#) in HEADLAMP (FOR CANADA).

FRONT FOG LAMP

Front Fog lamps Does Not Illuminate (Both Sides) (FOR USA)

AKS009KT

1. CHECK COMBINATION SWITCH INPUT SIGNAL

④ With CONSULT-II

Select "BCM" on CONSULT-II. With "HEAD LAMP" data monitor, make sure "FR FOG SW" turns ON-OFF linked with operation of lighting switch.

When lighting switch is FOG : FR FOG SW ON position

⊗ With out CONSULT-II

Refer to [LT-129, "Combination Switch Inspection"](#) .

OK or NG

OK >> GO TO 2.

NG >> Check lighting switch. Refer to [LT-129, "Combination Switch Inspection"](#) .

DATA MONITOR			
MONITOR		NO DTC	
FR FOG SW		ON	
RECORD			
MODE	BACK	LIGHT	COPY

PKIA7747E

2. FOG LAMP ACTIVE TEST

④ With CONSULT-II

1. Select "IPDM E/R" on CONSULT-II. and select "ACTIVE TEST" on "SELECT DIAG MODE" screen.
2. Select "LAMPS" on "SELECT TEST ITEM" screen.
3. Touch "FOG" screen.
4. Make sure fog lamp operates.

Fog lamp should operate.

⊗ With out CONSULT-II

1. Start auto active test. Refer to [PG-22, "Auto Active Test"](#) .
2. Make sure fog lamp operates.

Fog lamp should operate.

OK or NG

OK >> GO TO 3.

NG >> GO TO 4.

3. CHECK IPDM E/R

1. Select "IPDM E/R" on CONSULT-II. and select "DATA MONITOR" on "SELECT DIAG MODE" screen.
2. Make sure "FR FOG REQ" turns ON when lighting switch is in FOG position.

When lighting switch is FOG : FR FOG REQ ON position

OK or NG

OK >> Replace IPDM E/R.

NG >> Replace BCM. Refer to [BCS-15, "Removal and Installation of BCM"](#) .

ACTIVE TEST			
LAMPS		FOG	
OFF		HI	
LO			
MODE	BACK	LIGHT	COPY

PKIA7748E

DATA MONITOR			
MONITOR		NO DTC	
FR FOG REQ		ON	
Page Down			
RECORD			
MODE	BACK	LIGHT	COPY

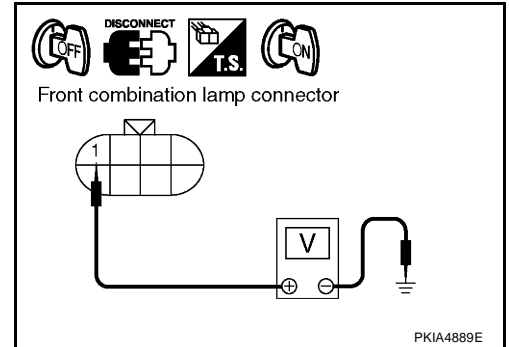
SKIA5898E

FRONT FOG LAMP

4. CHECK FOG LAMP INPUT SIGNAL

☑ With CONSULT-II

1. Turn ignition switch OFF.
2. Disconnect front combination lamp RH and LH connector.
3. Select "IPDM E/R" on CONSULT-II. and select "ACTIVE TEST" on "SELECT DIAG MODE" screen.
4. Select "TAIL LAMP" on "SELECT TEST ITEM" screen.
5. Touch "FOG" screen.
6. When fog lamp is operating, check voltage between front combination lamp RH and LH harness connector and ground.



Terminals			(-)	Voltage
(+)				
Connector	Terminal (Wire color)			
RH	E24	1 (W/G)	Ground	Battery voltage
LH	E41	1 (SB)		

☒ With out CONSULT-II

1. Turn ignition switch OFF.
2. Disconnect front combination lamp RH and LH connector.
3. Start auto active test. Refer to [PG-22, "Auto Active Test"](#) .
4. When fog lamp is operating, check voltage between front combination lamp RH and LH harness connector and ground.

Terminals			(-)	Voltage
(+)				
Connector	Terminal (Wire color)			
RH	E24	1 (W/G)	Ground	Battery voltage
LH	E41	1 (SB)		

OK or NG

- OK >> GO TO 6.
 NG >> GO TO 5.

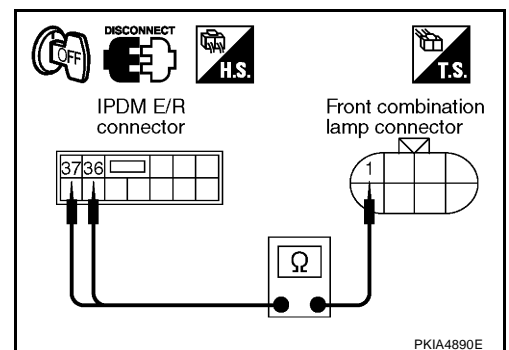
5. CHECK FOG LAMP CIRCUIT

1. Turn ignition switch OFF.
2. Disconnect IPDM E/R connector.
3. Check continuity between IPDM E/R harness connector E8 terminal 36 (W/G) and front combination lamp RH harness connector E24 terminal 1 (W/G).

36 (W/G) – 1 (W/G) : Continuity should exist.

4. Check continuity between IPDM E/R harness connector E8 terminal 37 (SB) and front combination lamp LH harness connector E41 terminal 1 (SB).

37 (SB) – 1(SB) : Continuity should exist.



OK or NG

- OK >> Replace IPDM E/R.
 NG >> Repair harness or connector.

FRONT FOG LAMP

6. CHECK FOG LAMP GROUND

1. Check continuity between front combination lamp RH harness connector E24 terminal 8 (B) and ground.

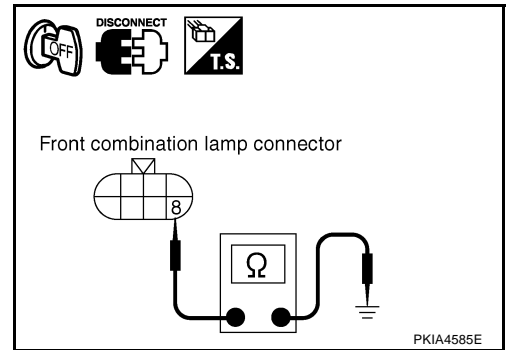
8 (B) – Ground : Continuity should exist.

2. Check continuity between front combination lamp LH harness connector E41 terminal 8 (B) and ground.

8 (B) – Ground : Continuity should exist.

OK or NG

- OK >> Check front fog lamp bulbs.
NG >> Repair harness or connector.



Front Fog Lamp Does Not Illuminate (One Side) (FOR USA)

AKS009KU

1. CHECK BULB

Check bulb of lamp which do not illuminate.

OK or NG

- OK >> GO TO 2.
NG >> Replace front fog lamp bulb.

2. CHECK FOG LAMP CIRCUIT

1. Disconnect IPDM E/R connector and front combination lamp RH or LH connector.

2. Check continuity between IPDM E/R harness connector E8 terminal 36 (W/G) and front combination lamp RH harness connector E24 terminal 1 (W/G).

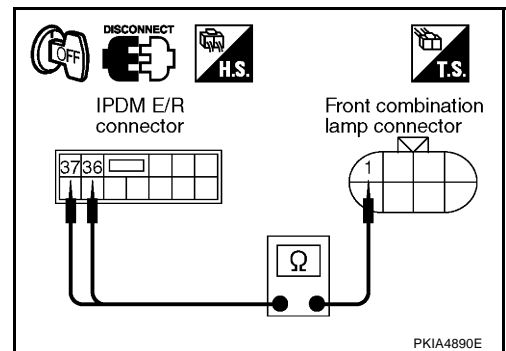
36 (W/G) – 1 (W/G) : Continuity should exist.

3. Check continuity between IPDM E/R harness connector E8 terminal 37 (SB) and front combination lamp LH harness connector E41 terminal 1 (SB).

37 (SB) – 1 (SB) : Continuity should exist.

OK or NG

- OK >> GO TO 3.
NG >> Repair harness or connector.



3. CHECK FOG LAMP GROUND

1. Check continuity between front combination lamp RH harness connector E24 terminal 8 (B) and ground.

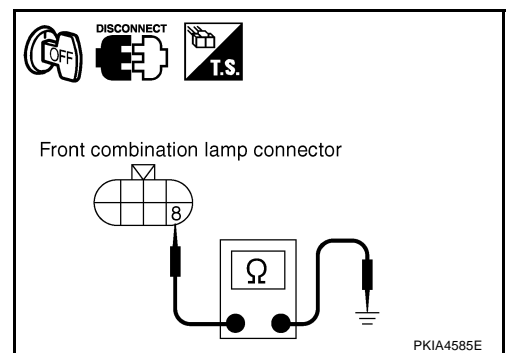
8 (B) – Ground : Continuity should exist.

2. Check continuity between front combination lamp LH harness connector E41 terminal 8 (B) and ground.

8 (B) – Ground : Continuity should exist.

OK or NG

- OK >> Replace IPDM E/R.
NG >> Repair harness or connector.



FRONT FOG LAMP

Front Fog lamps Does Not Illuminate (Both Sides) (FOR CANADA)

AKS009KV

1. CHECK COMBINATION SWITCH INPUT SIGNAL

④ With CONSULT-II

Select "BCM" on CONSULT-II. With "HEAD LAMP" data monitor, make sure "FR FOG SW" turns ON-OFF linked with operation of lighting switch.

When lighting switch is FOG : FR FOG SW ON position

⊗ With out CONSULT-II

Refer to [LT-129, "Combination Switch Inspection"](#) .

OK or NG

OK >> GO TO 2.

NG >> Check lighting switch. Refer to [LT-129, "Combination Switch Inspection"](#) .

DATA MONITOR			
MONITOR		NO DTC	
FR FOG SW		ON	
MODE	BACK	LIGHT	COPY

PKIA6346E

2. FOG LAMP ACTIVE TEST

④ With CONSULT-II

1. Select "IPDM E/R" on CONSULT-II. and select "ACTIVE TEST" on "SELECT DIAG MODE" screen.
2. Select "LAMPS" on "SELECT TEST ITEM" screen.
3. Touch "FOG" screen.
4. Make sure fog lamp operates.

Fog lamp should operate.

⊗ With out CONSULT-II

1. Start auto active test. Refer to [PG-22, "Auto Active Test"](#) .
2. Make sure fog lamp operates.

Fog lamp should operate.

OK or NG

OK >> GO TO 3.

NG >> GO TO 4.

ACTIVE TEST			
LAMPS		OFF	
		HI	
LO		FOG	
MODE	BACK	LIGHT	COPY

SKIA5774E

3. CHECK IPDM E/R

1. Select "IPDM E/R" on CONSULT-II. and select "DATA MONITOR" on "SELECT DIAG MODE" screen.
2. Make sure "FR FOG REQ" turns ON when lighting switch is in FOG position.

When lighting switch is FOG : FR FOG REQ ON position

OK or NG

OK >> Replace IPDM E/R.

NG >> Replace BCM. Refer to [BCS-15, "Removal and Installation of BCM"](#) .

DATA MONITOR			
MONITOR			
FR FOG REQ		ON	
		Page Down	
		RECORD	
MODE	BACK	LIGHT	COPY

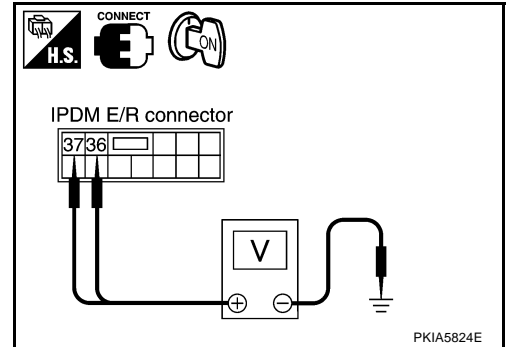
SKIA5898E

FRONT FOG LAMP

4. CHECK IPDM E/R

☑ With CONSULT-II

1. Select "IPDM E/R" on CONSULT-II. and select "ACTIVE TEST" on "SELECT DIAG MODE" screen.
2. Select "TAIL LAMP" on "SELECT TEST ITEM" screen.
3. Touch "FOG" screen.
4. When fog lamp is operating, check voltage between IPDM E/R and LH harness connector and ground.



Terminals				Voltage
(+)		(-)		
Connector	Terminal (Wire color)			
RH	E8	36 (W/G)	Ground	Battery voltage
LH		37 (LG)		

☒ With out CONSULT-II

1. Start auto active test. Refer to [PG-22, "Auto Active Test"](#) .
2. When fog lamp is operating, check voltage between IPDM E/R harness connector and ground.

Terminals				Voltage
(+)		(-)		
Connector	Terminal (Wire color)			
RH	E8	36 (W/G)	Ground	Battery voltage
LH		37 (LG)		

OK or NG

- OK >> Check front fog lamp bulbs.
 NG >> Replace IPDM E/R.

LH Front Fog Lamp Does Not Illuminate (FOR CANADA)

AKS009KW

1. CHECK BULB

Check bulb of lamps which do not illuminate.

OK or NG

- OK >> GO TO 2.
 NG >> Replace front fog lamp bulb.

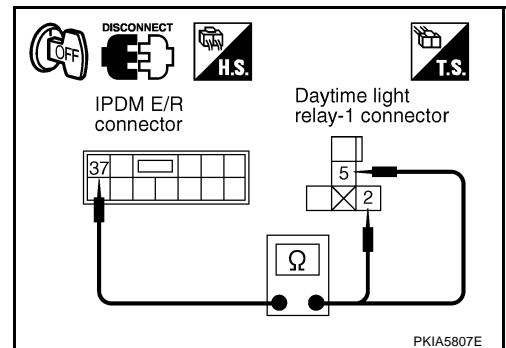
2. CHECK CIRCUIT BETWEEN IPDM E/R AND DAYTIME LIGHT RELAY-1

1. Disconnect IPDM E/R connector and daytime light relay-1.
2. Check continuity between harness connector of IPDM E/R and harness connector of daytime light relay-1.

Terminals				Continuity
IPDM E/R		Daytime light relay-1		
Connector	Terminal (Wire color)	Connector	Terminal (Wire color)	
E8	37 (SB)	E14	2 (SB)	Yes
			5 (SB)	

OK or NG

- OK >> GO TO 3.
 NG >> Repair harness or connector.



FRONT FOG LAMP

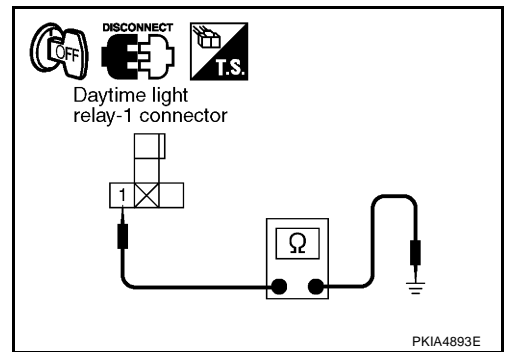
3. CHECK DAYTIME LIGHT RELAY-1 AND GROUND

Check continuity between daytime light relay-1 harness connector E14 terminal 1 (B) and ground.

1 (B) – Ground : Continuity should exist.

OK or NG

- OK >> GO TO 4.
- NG >> Repair harness or connector.



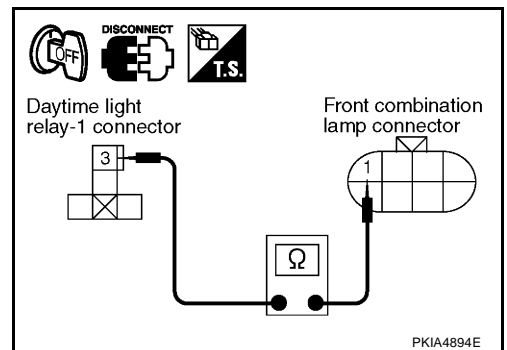
4. CHECK CIRCUIT DAYTIME LIGHT RELAY-1 AND HEADLAMP

1. Disconnect LH front combination lamp connector.
2. Check continuity between daytime light relay-1 harness connector E14 terminal 3 (LG) and LH front combination lamp harness connector E41 terminal 1 (LG).

3 (LG) – 1 (LG) : Continuity should exist.

OK or NG

- OK >> GO TO 5.
- NG >> Repair harness or connector.



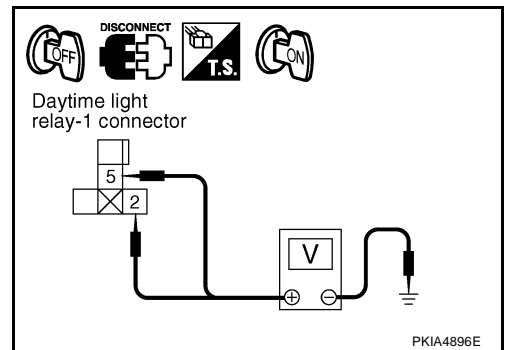
5. CHECK IPDM E/R

1. Connect IPDM E/R connector.
2. Turn ignition switch ON.
3. Lighting switch is turned FOG ON position.
4. Check voltage between daytime light relay-1 harness connector E14 terminal 2 (SB) and 5 (SB) and ground.

2 (SB), 5 (SB) – Ground : Battery voltage should exist.

OK or NG

- OK >> GO TO 6.
- NG >> Replace IPDM E/R.



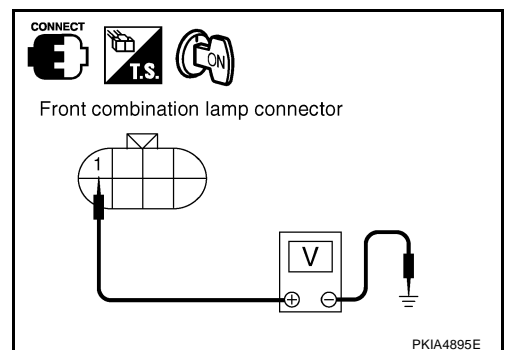
6. CHECK DAYTIME LIGHT RELAY-1

1. Turn ignition switch OFF.
2. Connect daytime light relay-1.
3. Turn ignition switch ON.
4. Lighting switch is turned FOG ON position.
5. Check voltage between front combination lamp LH harness connector E41 terminal 1 (G) and ground.

1 (LG) – Ground : Battery voltage should exist.

OK or NG

- OK >> GO TO 7.
- NG >> Replace daytime light relay-1.



FRONT FOG LAMP

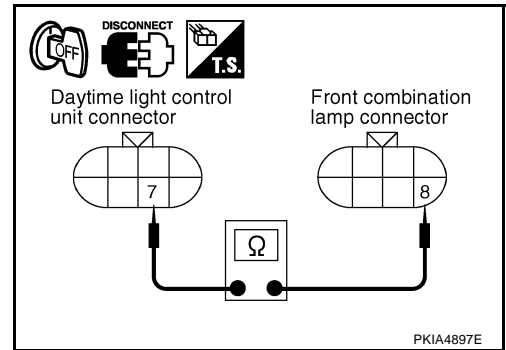
7. CHECK CIRCUIT BETWEEN HEADLAMP AND DAYTIME LIGHT CONTROL UNIT

1. Turn ignition switch OFF.
2. Disconnect daytime light control unit connector.
3. Check continuity between front combination lamp LH harness connector E41 terminal 8 (Y/G) and daytime light control unit harness connector E26 terminal 7 (Y/G).

8 (Y/G) – 7 (Y/G) : Continuity should exist.

OK or NG

- OK >> GO TO 8.
NG >> Repair harness or connector.



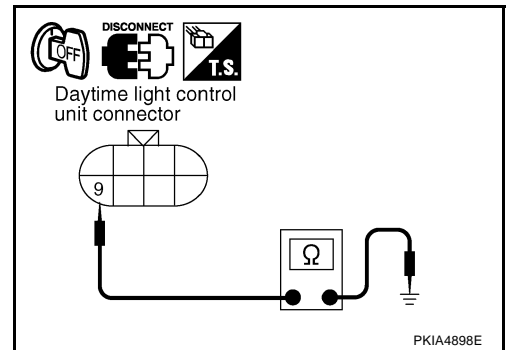
8. CHECK CIRCUIT BETWEEN HEADLAMP AND DAYTIME LIGHT CONTROL UNIT

Check continuity between daytime light control unit harness connector E26 terminal 9 (B) and ground.

9 (B) – Ground : Continuity should exist.

OK or NG

- OK >> Replace daytime light control unit.
NG >> Repair harness or connector.



RH Front Fog Lamp Does Not Illuminate (FOR CANADA)

1. CHECK BULB

Check bulbs of lamps which do not illuminate.

OK or NG

- OK >> GO TO 2.
NG >> Replace front fog lamp bulb.

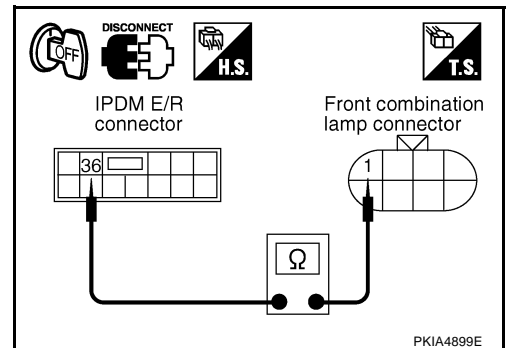
2. CHECK CIRCUIT BETWEEN IPDM E/R AND FRONT FOG LAMP

1. Turn ignition switch OFF.
2. Disconnect IPDM E/R connector and RH front combination lamp connector.
3. Check continuity between harness IPDM E/R harness connector E8 terminal 36 (W/G) and front combination lamp RH harness connector E24 terminal 1 (W/G).

36 (W/G) – 1 (W/G) : Continuity should exist.

OK or NG

- OK >> GO TO 3.
NG >> Repair harness or connector.



FRONT FOG LAMP

3. CHECK FRONT FOG LAMP GROUND

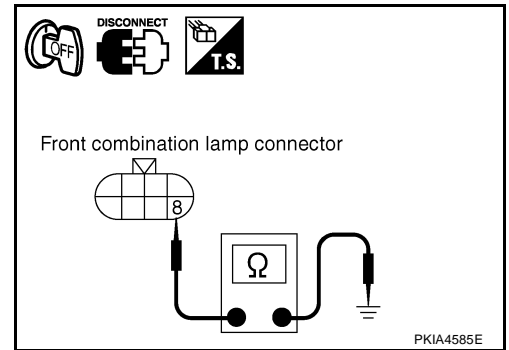
Check continuity between front combination lamp RH harness connector E24 terminal 8 (B) and ground.

8 (G) – Ground : Continuity should exist.

OK or NG

OK >> Replace IPDM E/R.

NG >> Repair harness or connector.



Bulb Replacement

Refer to [LT-35, "Bulb Replacement"](#) in "HEAD LAMP".

AKS009KX

A
B
C
D
E
F
G
H
I
J
LT
L
M

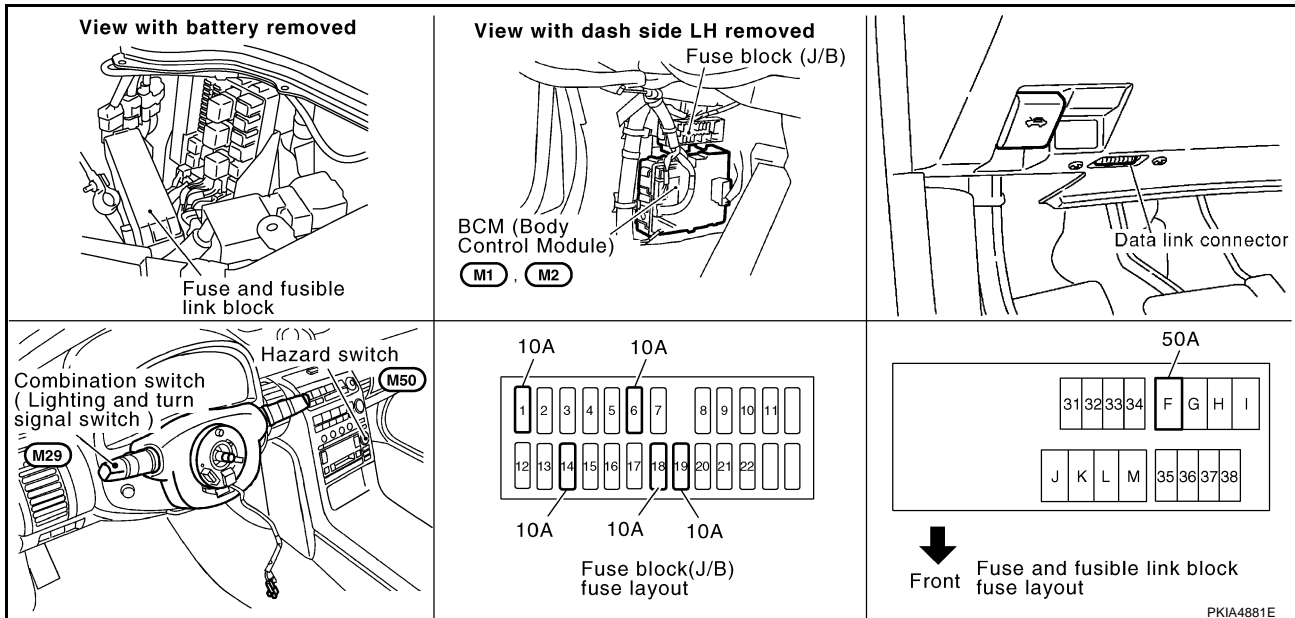
TURN SIGNAL AND HAZARD WARNING LAMPS

TURN SIGNAL AND HAZARD WARNING LAMPS

PFP:26120

Component Parts and Harness Connector Location

AKS009MF



PKIA4881E

System Description

TURN SIGNAL OPERATION

AKS005KK

When the ignition switch is in the ON or START position, power is supplied

- to BCM (body control module) terminal 38
- through 10A fuse [No. 1, located in the fuse block (J/B)]
- to combination meter terminals 41 and 42
- through 10A fuse [No. 14, located in the fuse block (J/B)].

Ground is supplied

- to BCM (body control module) terminal 52
- through grounds M30 and M66,
- to combination meter terminals 45 and 46
- through grounds M30 and M66.

LH Turn

When the turn signal switch (combination switch) is moved to the left position, the BCM (body control module) receives input signal requesting the left turn signals to flash. The BCM then supplies power

- through BCM (body control module) terminal 45
- to front combination lamp LH terminal 6
- to rear combination lamp LH terminal 3.

Ground is supplied to the front combination lamp LH terminal 4 through grounds E17 and E43.

Ground is supplied to the rear combination lamp LH terminal 4 through ground B103.

The BCM also supplies input to combination meter terminals 27 and 28 across the CAN communication lines. This input is processed by the unified meter control unit in the combination meter, which in turn supplies ground to the left turn signal indicator lamp.

With power and input supplied, the BCM (body control module) controls the flashing of the LH turn signal lamps.

RH Turn

When the turn signal switch (combination switch) is moved to the right position, the BCM (body control module) receives input signal requesting the right turn signals to flash. The BCM then supplies power

- through BCM (body control module) terminal 46
- to front combination lamp RH terminal 6
- to rear combination lamp RH terminal 3.

TURN SIGNAL AND HAZARD WARNING LAMPS

Ground is supplied to the front combination lamp RH terminal 4 through grounds E17 and E43.

Ground is supplied to the rear combination lamp RH terminal 4 through ground B103.

The BCM also supplies input to combination meter terminals 27 and 28 across the CAN communication lines. This input is processed by the unified meter control unit in the combination meter, which in turn supplies ground to the right turn signal indicator lamp.

With power and input supplied, the BCM (body control module) controls the flashing of the RH turn signal lamps.

HAZARD LAMP OPERATION

Power is supplied at all times

- to BCM terminal 55
- through 50A fusible link [letter F, located in fuse and fusible link block], and
- to combination meter terminal 43
- through 10A fuse [No. 19, located in fuse block (J/B)].

Ground is supplied

- to hazard switch terminal 3
- through grounds M30 and M66,
- to BCM terminal 52,
- through grounds M30 and M66, and
- to combination meter terminals 45 and 46
- through grounds M30 and M66.

When the hazard switch is depressed, ground is supplied

- to BCM terminal 29
- through hazard switch terminal 1.

The BCM then supplies power

- through BCM terminal 45
- to front combination lamp LH terminal 6
- to rear combination lamp LH terminal 3
- through BCM terminal 46
- to front combination lamp RH terminal 6
- to rear combination lamp RH terminal 3.

Ground is supplied

- to the front combination lamp LH terminal 4 through grounds E17 and E43
- to the front combination lamp RH terminal 4 through grounds E17 and E43
- to the rear combination lamp LH terminal 4 through ground B103
- to the rear combination lamp RH terminal 4 through ground B103.

The BCM also supplies input to combination meter terminals 27 and 28 across the CAN communication lines. This input is processed by the unified meter control unit in the combination meter, which in turn supplies ground to the left and right turn signal indicator lamps.

With power and input supplied, the BCM controls the flashing of the hazard warning lamps.

REMOTE KEYLESS ENTRY SYSTEM OPERATION

Power is supplied at all times

- to BCM (body control module) terminal 55
- through 50A fusible link [letter F, located in fuse and fusible link block], and
- to combination meter terminal 43
- through 10A fuse [No. 19, located in fuse block (J/B)].

Ground is supplied

- to BCM terminal 52
- through grounds M30 and M66, and
- to combination meter terminals 45 and 46
- through grounds M30 and M66.

A
B
C
D
E
F
G
H
I
J
LT
L
M

TURN SIGNAL AND HAZARD WARNING LAMPS

When the remote keyless entry system is triggered by input from the keyfob, the BCM supplies power

- through BCM terminal 45
- to front combination lamp LH terminal 6
- to rear combination lamp LH terminal 3
- through BCM terminal 46
- to front combination lamp RH terminal 6
- to rear combination lamp RH terminal 3.

Ground is supplied

- to the front combination lamp LH terminal 4 through grounds E17 and E43.
- to the front combination lamp RH terminal 4 through grounds E17 and E43.
- to the rear combination lamp LH terminal 4 through ground B103.
- to the rear combination lamp RH terminal 4 through ground B103.

The BCM also supplies input to combination meter terminals 27 and 28 across the CAN communication lines. This input is processed by the unified meter control unit in the combination meter, which in turn supplies ground to the left and right turn signal indicator lamps.

With power and ground supplied, the BCM controls the flashing of the hazard warning lamps when key fob is used to activate the remote keyless entry system.

COMBINATION SWITCH READING FUNCTION

Refer to [BCS-3, "COMBINATION SWITCH READING FUNCTION"](#) .

CAN Communication System Description

AKS009MG

CAN (Controller Area Network) is a serial communication line for real time application. It is an on-vehicle multiplex communication line with high data communication speed and excellent error detection ability. Many electronic control units are equipped onto a vehicle, and each control unit shares information and links with other control units during operation (not independent). In CAN communication, control units are connected with 2 communication lines (CAN H line, CAN L line) allowing a high rate of information transmission with less wiring. Each control unit transmits/receives data but selectively reads required data only.

CAN Communication Unit

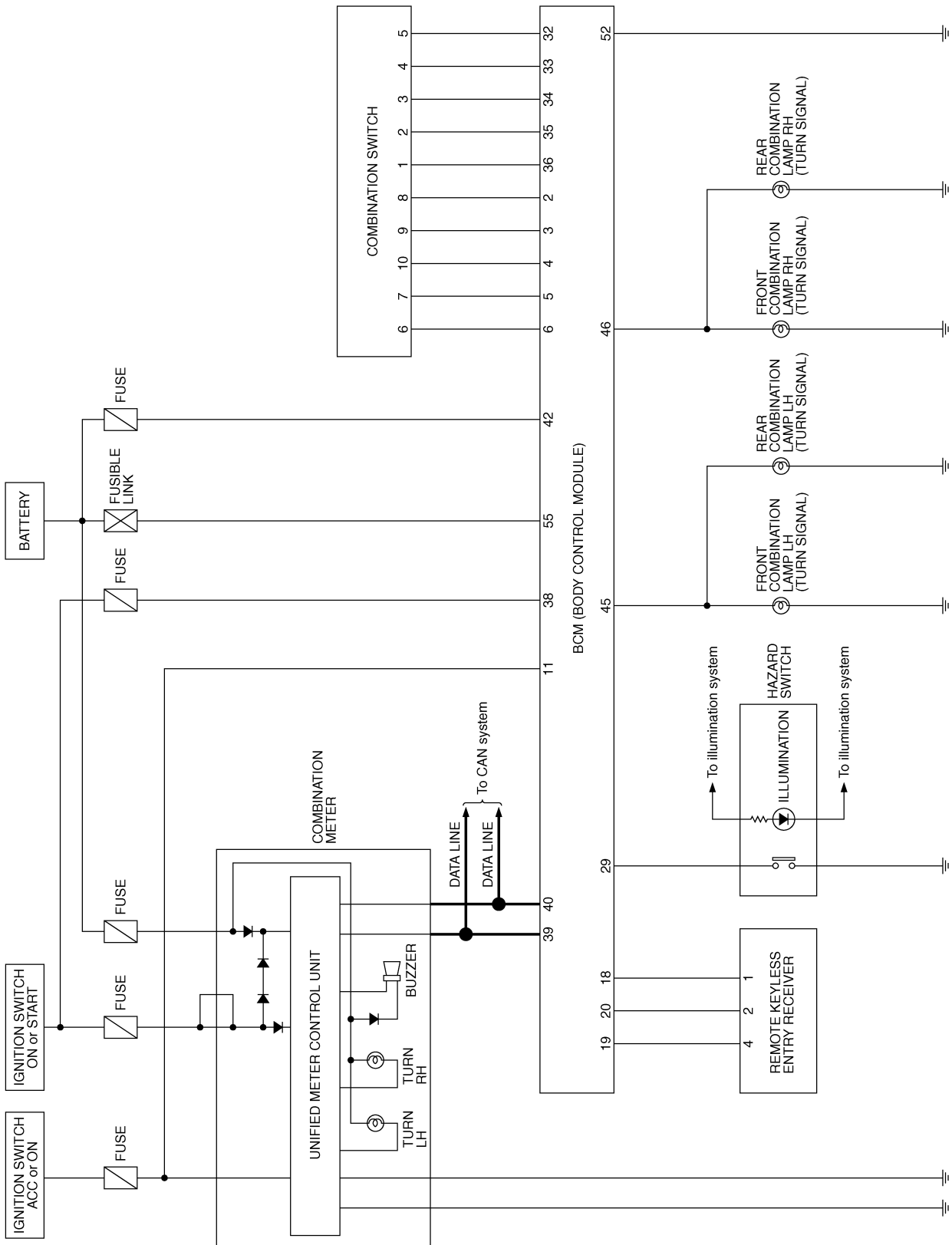
AKS009MH

Refer to [LAN-4, "CAN Communication Unit"](#) .

TURN SIGNAL AND HAZARD WARNING LAMPS

Schematic

AKS009MI



A
B
C
D
E
F
G
H
I
J
LT
L
M

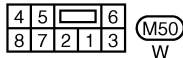
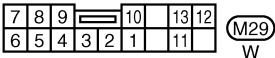
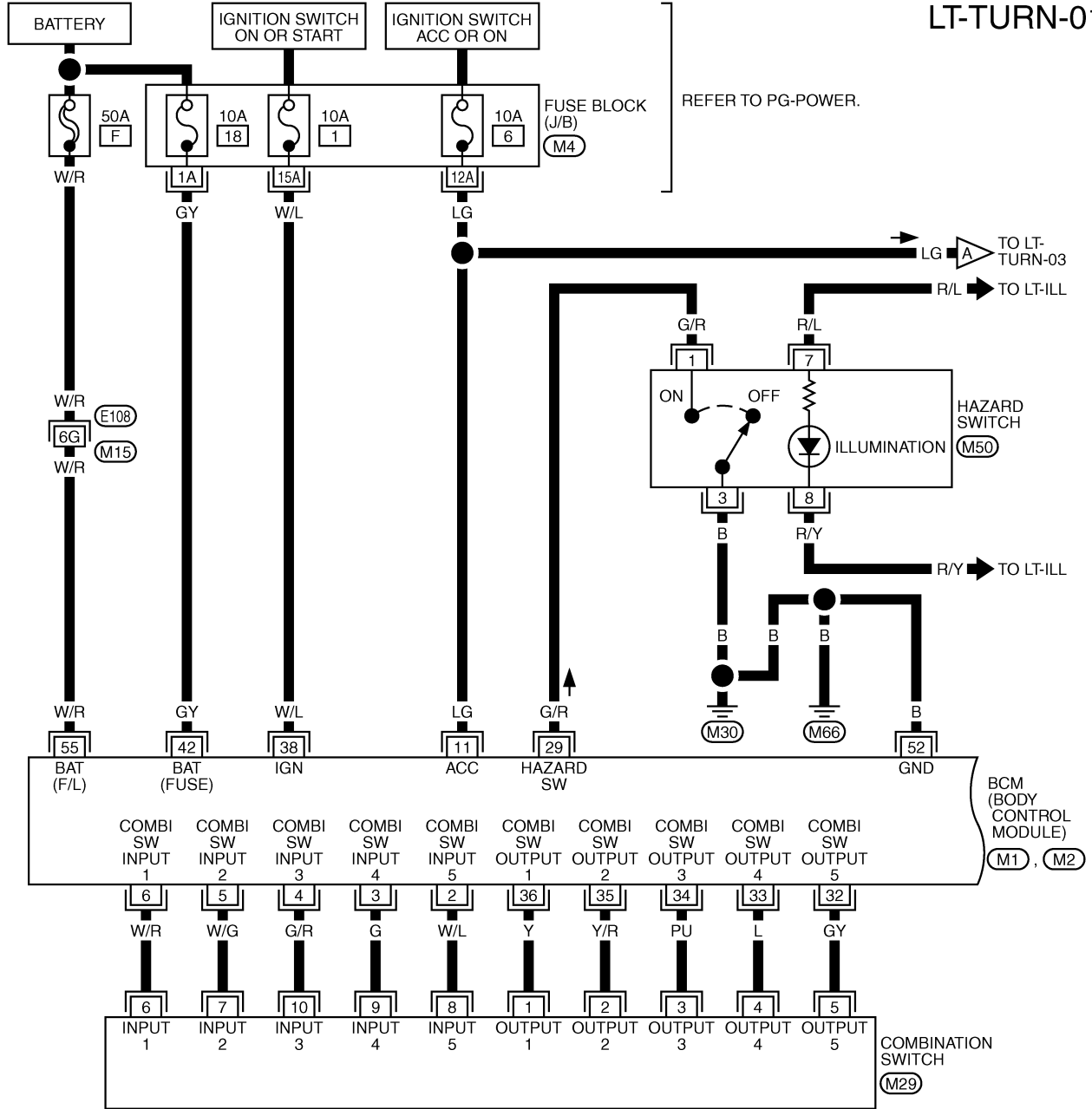
TKWT1423E

TURN SIGNAL AND HAZARD WARNING LAMPS

AKS009MJ

Wiring Diagram — TURN —

LT-TURN-01



REFER TO THE FOLLOWING.

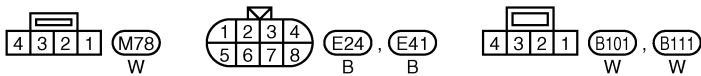
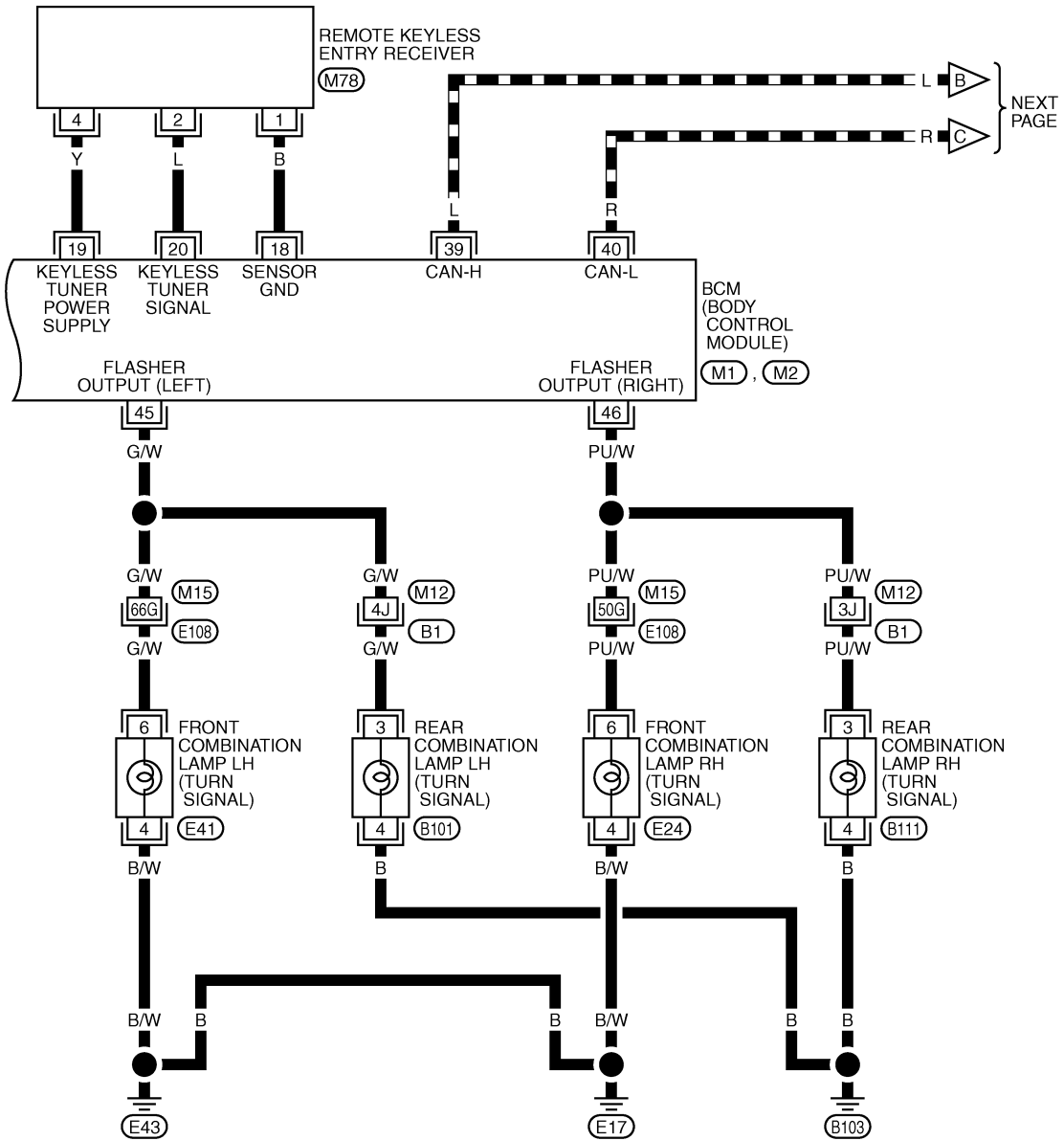
- (E108) -SUPER MULTIPLE JUNCTION (SMJ)
- (M4) -FUSE BLOCK-JUNCTION BOX (J/B)
- (M1), (M2) -ELECTRICAL UNITS

TKWT1424E

TURN SIGNAL AND HAZARD WARNING LAMPS

LT-TURN-02

▬ : DATA LINE



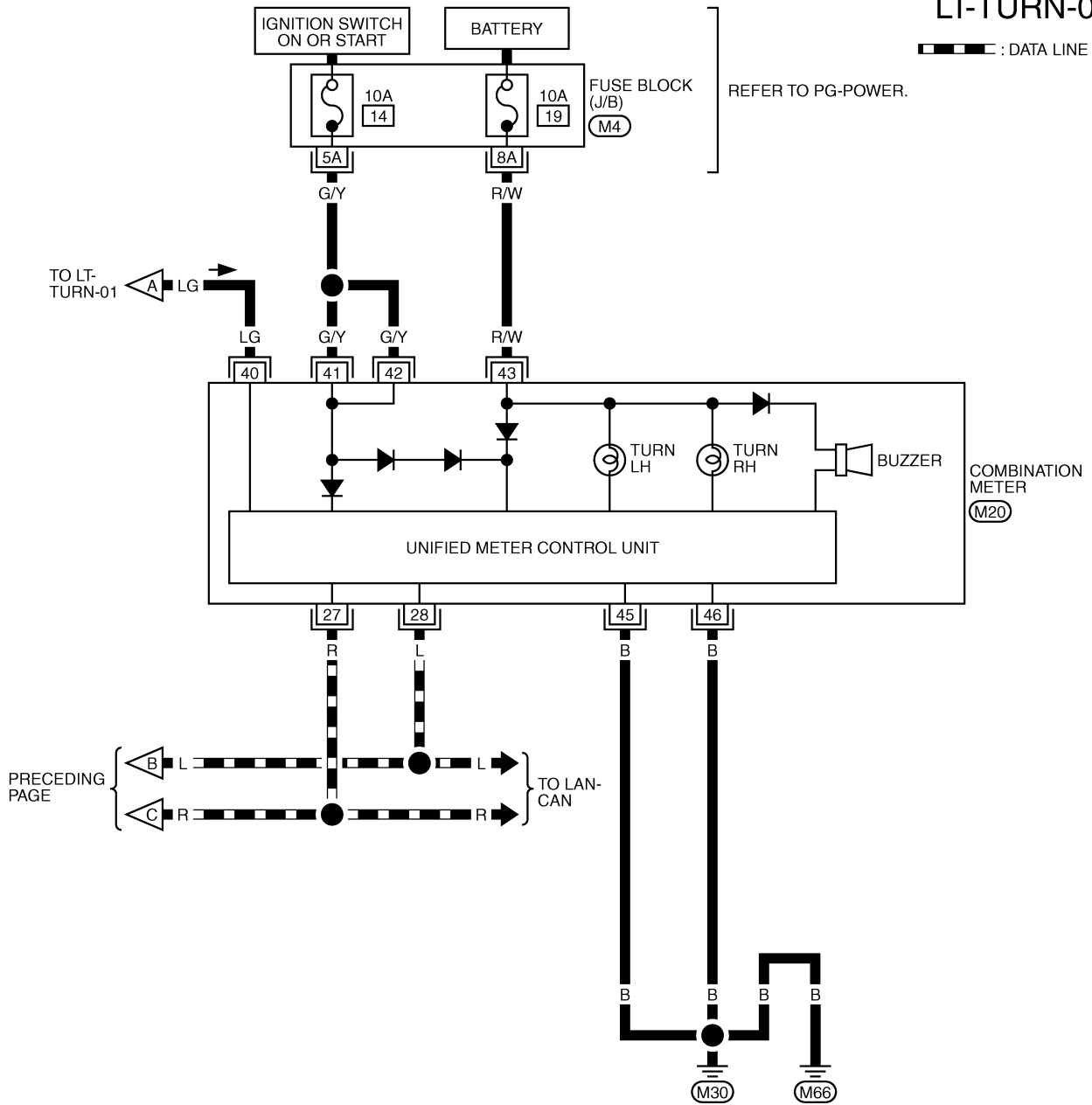
REFER TO THE FOLLOWING.
 (E108), (B1) -SUPER MULTIPLE JUNCTION (SMJ)
 (M1), (M2) -ELECTRICAL UNITS

A
B
C
D
E
F
G
H
I
J
LT
L
M

TURN SIGNAL AND HAZARD WARNING LAMPS

LT-TURN-03

▬ : DATA LINE



25	26	27	28	29	30	31	32	33	34	35		
36	37	38	39	40	41	42	43	44	45	46	47	48

(M20)
W

REFER TO THE FOLLOWING.
(M4) - FUSE BLOCK-JUNCTION BOX (J/B)

TURN SIGNAL AND HAZARD WARNING LAMPS



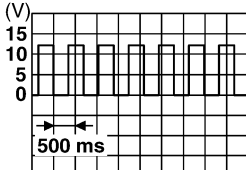
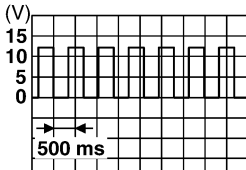
Terminals and Reference Values for BCM

AKS009MK

Terminal No.	Wire color	Signal name	Measuring condition		Reference value	
			Ignition switch	Operation or condition		
2	W/L	Combination switch input 5	ON	Lighting, turn, wiper OFF Wiper dial position 4	<p style="text-align: right;">SKIA5291E</p>	
3	G	Combination switch input 4	ON	Lighting, turn, wiper OFF Wiper dial position 4	<p style="text-align: right;">SKIA5292E</p>	
4	G/R	Combination switch input 3	ON	Lighting, turn, wiper OFF Wiper dial position 4	<p style="text-align: right;">SKIA5291E</p>	
5	W/G	Combination switch input 2	ON	Lighting, turn, wiper OFF Wiper dial position 4	<p style="text-align: right;">SKIA5292E</p>	
6	W/R	Combination switch input 1				
11	LG	Ignition switch (ACC)	ACC	—	Battery voltage	
29	G/R	Hazard switch signal	OFF	Hazard switch	ON	Approx. 0V
					OFF	Battery voltage
32	GY	Combination switch output 5	ON	Lighting, turn, wiper OFF Wiper dial position 4	<p style="text-align: right;">SKIA5291E</p>	
33	L	Combination switch output 4	ON	Lighting, turn, wiper OFF Wiper dial position 4	<p style="text-align: right;">SKIA5292E</p>	

A
B
C
D
E
F
G
H
I
J
LT
L
M

TURN SIGNAL AND HAZARD WARNING LAMPS

Terminal No.	Wire color	Signal name	Measuring condition		Reference value	
			Ignition switch	Operation or condition		
34	PU	Combination switch output 3	ON	Lighting, turn, wiper OFF Wiper dial position 4	 <p style="text-align: right; font-size: small;">SKIA5291E</p>	
35	Y/R	Combination switch output 2	ON	Lighting, turn, wiper OFF Wiper dial position 4	 <p style="text-align: right; font-size: small;">SKIA5292E</p>	
36	Y	Combination switch output 1				
38	W/L	Ignition switch (ON)	ON	—	Battery voltage	
39	L	CAN-H	—	—	—	
40	R	CAN-L	—	—	—	
42	GY	Battery power supply	OFF	—	Battery voltage	
45	G/W	Turn signal (left)	ON	Combina- tion switch	Turn left ON	 <p style="text-align: right; font-size: small;">SKIA3009J</p>
46	PU/W	Turn signal (right)	ON	Combina- tion switch	Turn right ON	 <p style="text-align: right; font-size: small;">SKIA3009J</p>
52	B	Ground	ON	—	Approx. 0V	
55	W/R	Battery power supply	OFF	—	Battery voltage	

How to Proceed With Trouble Diagnosis

AKS009ML

1. Confirm the symptom or customer complaint.
2. Understand operation description and function description. Refer to [LT-108, "System Description"](#) .
3. Perform the preliminary check. Refer to [LT-117, "Preliminary Check"](#) .
4. Check symptom and repair or replace the cause of malfunction.
5. Do turn signal and hazard warning lamps operate normally? If YES: GO TO 6. If NO: GO TO 4.
6. INSPECTION END

TURN SIGNAL AND HAZARD WARNING LAMPS

AKS009MM

Preliminary Check CHECK POWER SUPPLY AND GROUND CIRCUIT

1. CHECK FUSES

- Check fuses for blown-out.

Unit	Power source	Fuse and fusible link No.
BCM	Battery	F
		18
	Ignition switch ON or START position	1
	Ignition switch ACC or ON position	6
Combination meter	Battery	19
	Ignition switch ON or START position	14

Refer to [LT-112, "Wiring Diagram — TURN —"](#) .

OK or NG

OK >> GO TO 2.

NG >> If fuse is blown, be sure to eliminate cause of malfunction before installing new fuse. Refer to [PG-3, "POWER SUPPLY ROUTING CIRCUIT"](#) .

2. CHECK POWER SUPPLY CIRCUIT

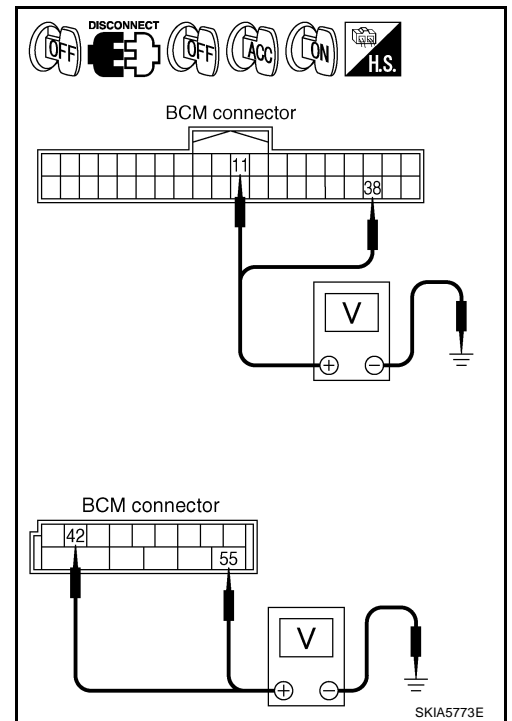
1. Turn ignition switch OFF.
2. Disconnect BCM connector.
3. Check voltage between BCM harness connector and ground.

Terminals		(-)	Ignition switch position		
Connector	Terminal (Wire color)		OFF	ACC	ON
M1	11 (LG)	Ground	0V	Battery voltage	Battery voltage
	38 (W/L)		0V	0V	Battery voltage
M2	42 (GY)		Battery voltage	Battery voltage	Battery voltage
	55 (W/R)		Battery voltage	Battery voltage	Battery voltage

OK or NG

OK >> GO TO 3.

NG >> Check harness for open or short between BCM and fuse.



TURN SIGNAL AND HAZARD WARNING LAMPS

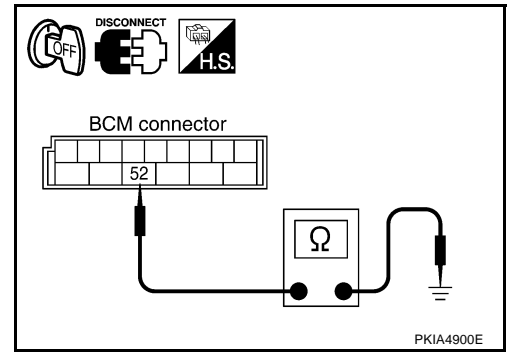
3. CHECK GROUND CIRCUIT

Check continuity between BCM harness connector and ground.

Terminals			Continuity
Connector	Terminal (Wire color)	Ground	
M2	52 (B)	Ground	Yes

OK or NG

- OK >> INSPECTION END
- NG >> Check ground circuit harness.



TURN SIGNAL AND HAZARD WARNING LAMPS

CONSULT-II Functions

AKS009MN

CONSULT-II performs the following functions communicating with BCM.

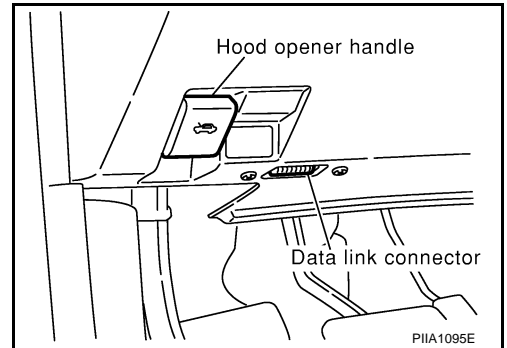
BCM diagnosis part	Check item, diagnosis mode	Description
FLASHER	DATA MONITOR	Displays BCM input data in real time.
	ACTIVE TEST	Operation of electrical loads can be checked by sending driving signal to them.

CONSULT-II BASIC OPERATION

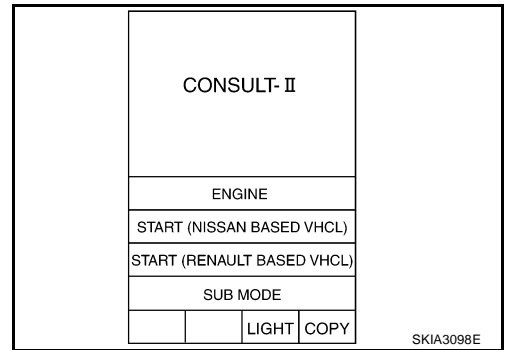
CAUTION:

If CONSULT-II is used with no connection of CONSULT-II CONVERTER, malfunctions might be detected in self-diagnosis depending on control unit which carry out CAN communication.

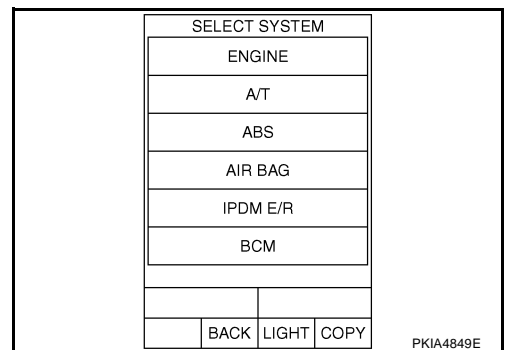
1. With the ignition switch OFF, connect CONSULT-II and CONSULT-II CONVERTER to the data link connector, then turn ignition switch ON.



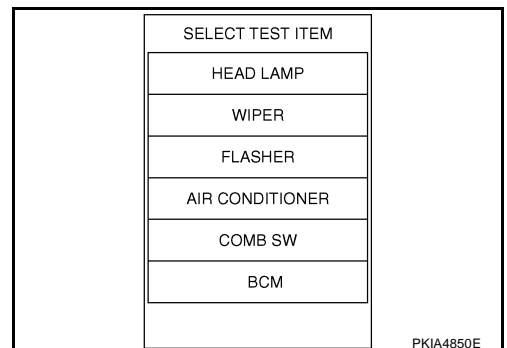
2. Touch "START (NISSAN BASED VHCL)".



3. Touch "BCM" on "SELECT SYSTEM" screen. If "BCM" is not indicated, refer to [GI-38, "CONSULT-II Data Link Connector \(DLC\) Circuit"](#).



4. Touch "HEAD LAMP" on "SELECT TEST ITEM" screen.



TURN SIGNAL AND HAZARD WARNING LAMPS

DATA MONITOR

Operation Procedure

1. Touch "FLASHER" on "SELECT TEST ITEM" screen.
2. Touch "DATA MONITOR" on "SELECT DIAG MODE" screen.
3. Touch either "ALL SIGNALS" or "SELECTION FROM MENU" on the "DATA MONITOR" screen.

ALL SIGNALS	Monitors all the signals.
SELECTION FROM MENU	Selects and monitors the individual signal.

4. Touch "START".
5. When "SELECTION FROM MENU" is selected, touch items to be monitored. When "ALL SIGNALS" is selected, all the items will be monitored.
6. Touch "RECORD" while monitoring, then the status of the monitored item can be recorded. To stop recording, touch "STOP".

Display Item List

Monitor item	Contents
IGN ON SW "ON/OFF"	Displays "IGN position (ON)/OFF, ACC position (OFF)" judged from the ignition switch signal.
HAZARD SW "ON/OFF"	Displays "Hazard ON (ON)/Hazard OFF (OFF)" status, determined from hazard switch signal.
TURN SIGNAL R "ON/OFF"	Displays "Turn right (ON)/Other (OFF)" status, determined from lighting switch signal.
TURN SIGNAL L "ON/OFF"	Displays "Turn left (ON)/Other (OFF)" status, determined from lighting switch signal.
BRAKE SW ^{Note} "OFF"	—

NOTE:

This item is displayed, but cannot monitor it.

ACTIVE TEST

Operation Procedure

1. Touch "FLASHER" on "SELECT TEST ITEM" screen.
2. Touch "ACTIVE TEST" on "SELECT DIAG MODE" screen.
3. Touch item to be tested and check operation of the selected item.
4. During the operation check, touching "BACK" deactivates the operation.

Display Item List

Test item	Description
FLASHER (RIGHT)	Turn signal lamp (right) can be operated by any ON-OFF operations.
FLASHER (LEFT)	Turn signal lamp (left) can be operated by any ON-OFF operations.

Turn Signal Lamp Does Not Operate

AKS009MO

1. CHECK BULB

Check bulb standard of each turn signal lamp is correct.

OK or NG

- OK >> GO TO 2.
NG >> Replace turn signal lamp bulb.

TURN SIGNAL AND HAZARD WARNING LAMPS

2. CHECK COMBINATION SWITCH INPUT SIGNAL

Ⓜ With CONSULT-II
 Select "BCM" on CONSULT-II. With "FLASHER" data monitor, make sure "TURN SIGNAL R" and "TURN SIGNAL L" turns ON-OFF linked with operation of lighting switch.

- When lighting switch is : TURN SIGNAL R ON**
TURN RH position
- When lighting switch is : TURN SIGNAL L ON**
TURN LH position

ⓧ With out CONSULT-II
 Refer to [LT-129, "Combination Switch Inspection"](#) .

OK or NG

- OK >> GO TO 3.
- NG >> Check lighting switch. Refer to [LT-129, "Combination Switch Inspection"](#) .

DATA MONITOR			
MONITOR			
TURN SIGNAL R	ON		
TURN SIGNAL L	ON		
		RECORD	
MODE	BACK	LIGHT	COPY

PKIA7600E

3. ACTIVE TEST

- Ⓜ With CONSULT-II
- Select "FLASHER" during active test. Refer to [LT-120, "ACTIVE TEST"](#) .
 - Make sure "FLASHER RIGHT" and "FLASHER LEFT" operates.

Turn signal lamp should operate

ⓧ With out CONSULT-II
 GO TO 4.

OK or NG

- OK >> Replace BCM. Refer to [BCS-15, "Removal and Installation of BCM"](#) .
- NG >> GO TO 4.

ACTIVE TEST			
FLASHER	OFF		
RH	LH	OFF	
MODE	BACK	LIGHT	COPY

PKIA5276E

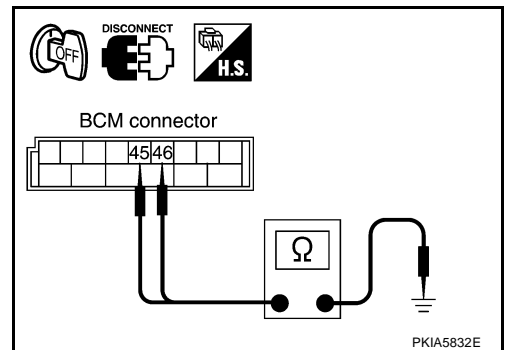
4. CHECK SHORT CIRCUIT

- Turn ignition switch OFF.
- Disconnect BCM connector and all turn signal lamp connectors.
- Check continuity (short circuit) between harness connector of BCM and ground.

Terminals			Continuity
BCM		Ground	
Connector	Terminal (Wire color)		
RH	M2	46 (PU/W)	No
LH		45 (G/W)	

OK or NG

- OK >> Replace BCM if turn signal lamps does not work after setting the connector again. Refer to [BCS-15, "Removal and Installation of BCM"](#) .
- NG >> Repair harness or connector.



TURN SIGNAL AND HAZARD WARNING LAMPS

Hazard Warning Lamp Does Not Operate But Turn Signal Lamp Operate

AKS009MQ

1. CHECK BULB

Make sure bulb standard of each turn signal lamp is correct.

OK or NG

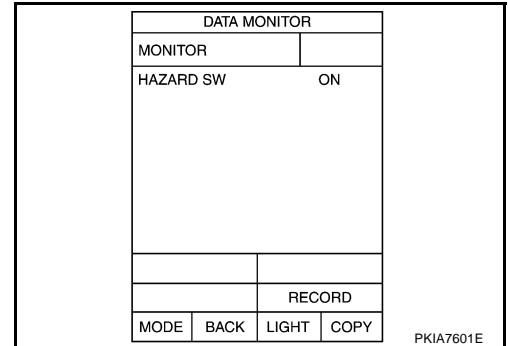
- OK >> GO TO 2.
- NG >> Replace bulb.

2. CHECK HAZARD SWITCH INPUT SIGNAL

☑ With CONSULT-II

Select "BCM" on CONSULT-II. With "FLASHER" data monitor to make sure "HAZARD SW" turns ON-OFF linked with operation of hazard switch.

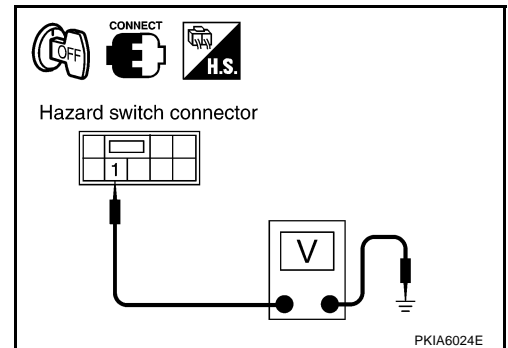
When hazard switch is ON : HAZARD SW ON position



☒ With out CONSULT-II

Check voltage between BCM harness connector M50 terminal 1 (G/R) and ground.

Terminals			Condition	Voltage
Connector	Terminal (Wire color)	(-)		
M50	1 (G/R)	Ground	Hazard switch is ON	Approx. 0V
			Hazard switch is OFF	Approx. 12V



OK or NG

- OK >> Replace BCM. Refer to [BCS-15, "Removal and Installation of BCM"](#).
- NG >> GO TO 3.

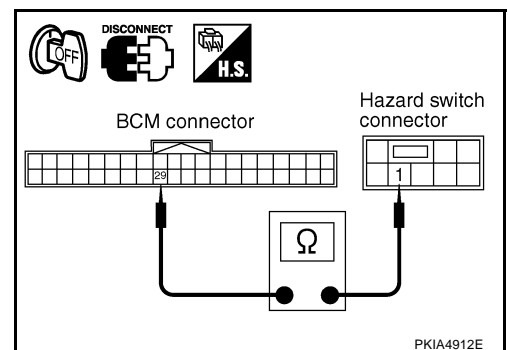
3. CHECK HAZARD SWITCH CIRCUIT

1. Turn ignition switch OFF.
2. Disconnect BCM connector and hazard switch connector.
3. Check continuity BCM harness connector M1 terminal 29 (G/R) and hazard switch harness connector M50 terminal 1 (G/R).

29 (G/R) – 1 (G/R) : Continuity should exist.

OK or NG

- OK >> GO TO 4.
- NG >> Repair harness or connector.



TURN SIGNAL AND HAZARD WARNING LAMPS

4. CHECK GROUND

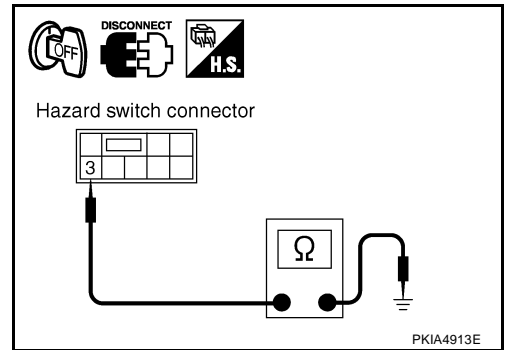
Check continuity hazard switch harness connector M50 terminal 3 (B) and ground.

3 (B) – Ground : Continuity should exist.

OK or NG

OK >> GO TO 5.

NG >> Repair harness or connector.



5. CHECK HAZARD SWITCH

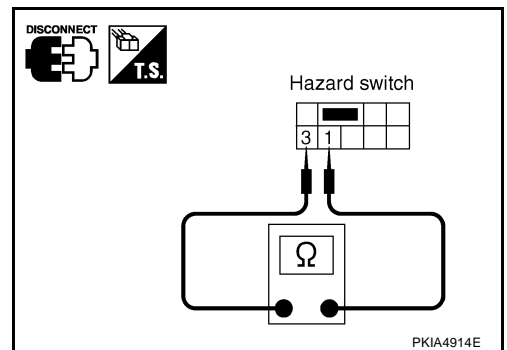
1. Disconnect hazard switch connector.
2. Check continuity hazard switch.

Terminal		Condition	Continuity
Hazard switch			
1	3	Hazard switch is ON	Yes
		Hazard switch is OFF	No

OK or NG

OK >> Replace BCM if turn signal lamps does not work after setting the connector again. Refer to [BCS-15, "Removal and Installation of BCM"](#) .

NG >> Replace hazard switch.



Turn Signal Indicator Lamp Does Not Operate

1. CHECK BULB

Check bulb of turn signal indicator lamp in combination meter.

OK or NG

OK >> Replace combination meter.

NG >> Replace indicator bulb.

Bulb Replacement (Front Turn Signal Lamp)

Refer to [LT-35, "Bulb Replacement"](#) in "HEAD LAMP (FOR USA)".

Bulb Replacement (Rear Turn Signal Lamp)

Refer to [LT-156, "Bulb Replacement"](#) in "REAR COMBINATION LAMP".

Removal and Installation of Front Turn Signal Lamp

Refer to [LT-36, "Removal and Installation"](#) in "HEAD LAMP (FOR USA)".

Removal and Installation of Rear Turn Signal Lamp

Refer to [LT-156, "Removal and Installation"](#) in "REAR COMBINATION LAMP".

LIGHTING AND TURN SIGNAL SWITCH

LIGHTING AND TURN SIGNAL SWITCH

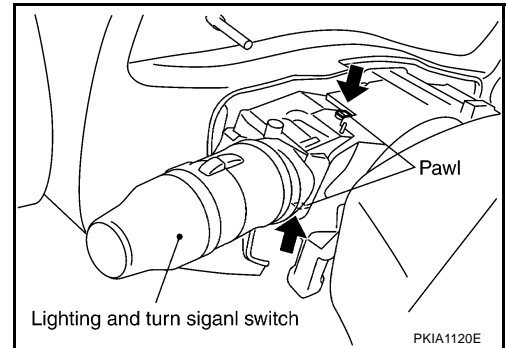
PFP:25540

Removal and Installation

AKS000M4

REMOVAL

1. Remove steering column cover. Refer to [IP-10, "INSTRUMENT PANEL ASSEMBLY"](#) in "IP" section.
2. Remove mounting bolts of cluster lid A and combination meter. Refer to [IP-10, "INSTRUMENT PANEL ASSEMBLY"](#) in "IP" section.
3. While pressing pawls in direction as shown in the figure, pull lighting and turn signal switch toward driver door and disconnect from the base.
4. Disconnect lighting and turn signal switch connector.



INSTALLATION

Install in the reverse order of removal.

HAZARD SWITCH

HAZARD SWITCH

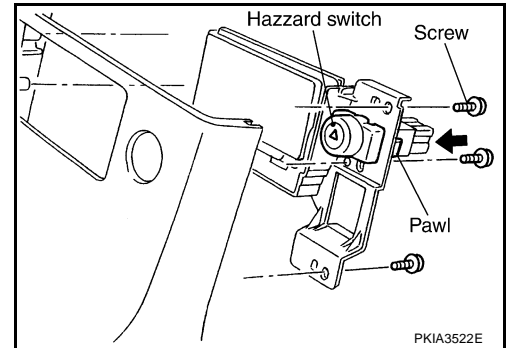
PFP:25290

Removal and Installation (M/T)

AKS0081D

REMOVAL

1. Remove console boot (M/T). Refer to [IP-10, "INSTRUMENT PANEL ASSEMBLY"](#) in "IP" section.
2. Remove connector.
3. Remove screws (5) and remove bracket from console boot (M/T).
4. Press pawl on reverse side and remove the hazard switch.



INSTALLATION

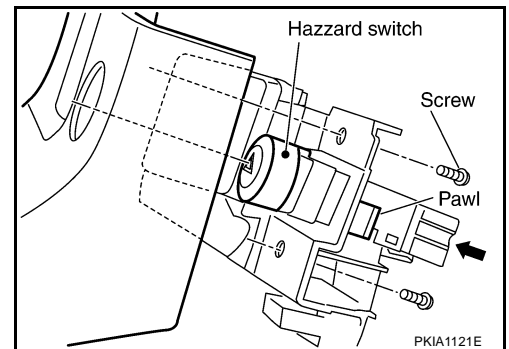
Install in the reverse order of removal.

Removal and Installation (A/T)

AKS0081E

REMOVAL

1. Remove console finisher (A/T). Refer to [IP-10, "INSTRUMENT PANEL ASSEMBLY"](#) in "IP" section.
2. Remove connector.
3. Remove screws and remove ashtray assembly from console finisher (A/T).
4. Press pawl on reverse side and remove the hazard switch.



INSTALLATION

Install in the reverse order of removal.

A
B
C
D
E
F
G
H
I
J
LT
L
M

COMBINATION SWITCH

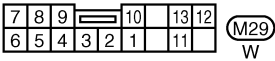
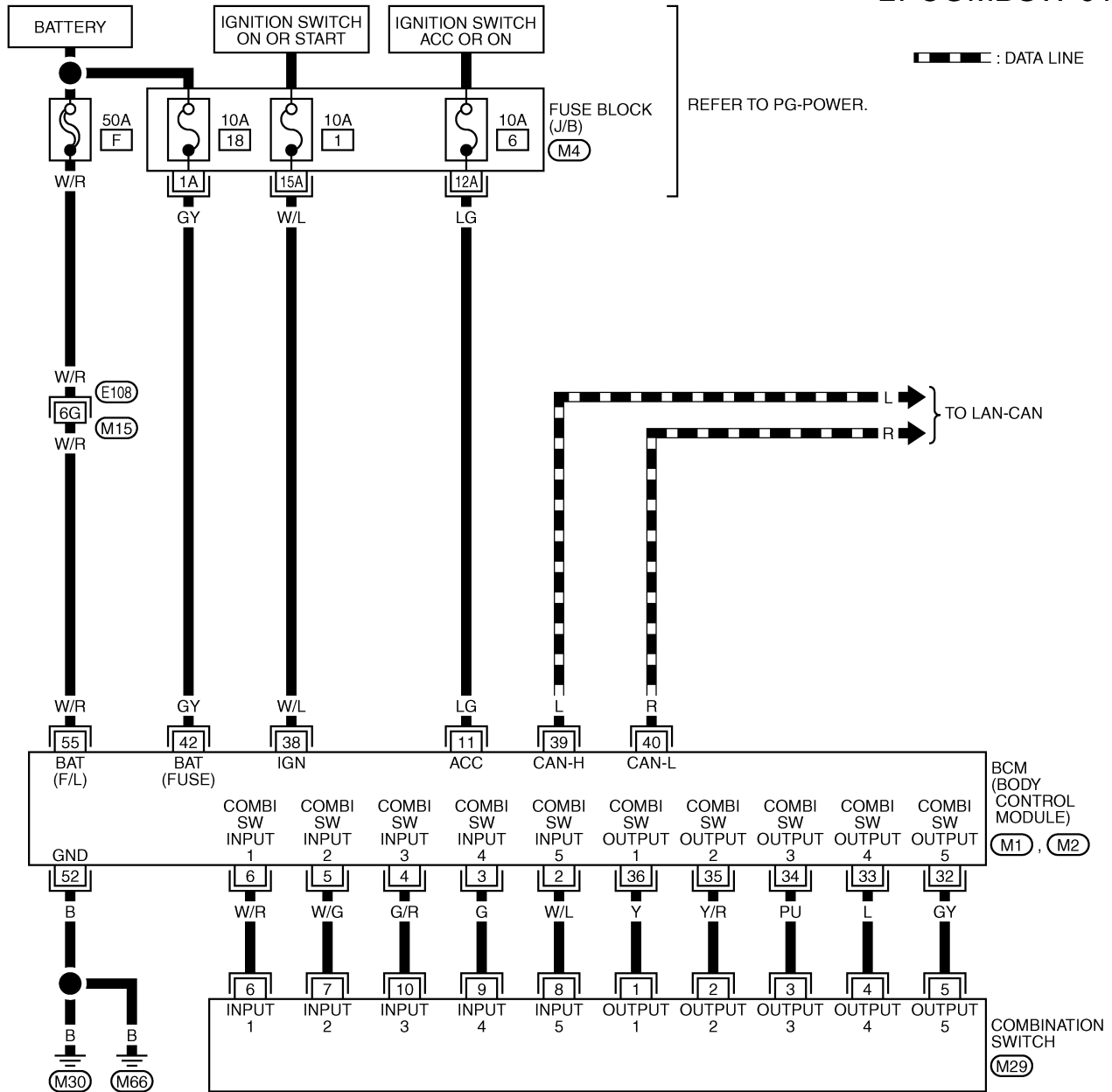
PFP:25567

COMBINATION SWITCH

Wiring Diagram — COMBSW —

AKS009M3

LT-COMBSW-01



REFER TO THE FOLLOWING.

- (E108) -SUPER MULTIPLE JUNCTION (SMJ)
- (M4) -FUSE BLOCK-JUNCTION BOX (J/B)
- (M1), (M2) -ELECTRICAL UNITS

TKWT1426E

COMBINATION SWITCH

Combination Switch Reading Function

AKS009M4

For details, refer to [BCS-3, "COMBINATION SWITCH READING FUNCTION"](#) in "BCS" section.

CONSULT-II Function

AKS009M5

CONSULT-II performs the following functions communicating with the BCM.

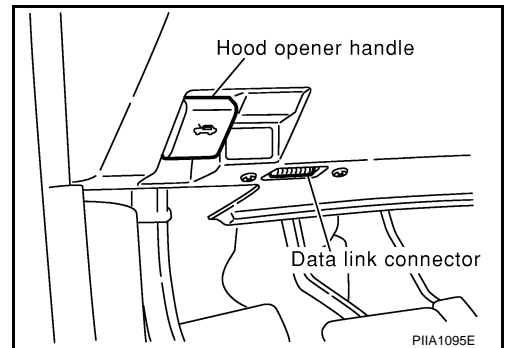
BCM diagnosis part	Check item, diagnosis mode	Description
Combination switch	DATA MONITOR	Displays BCM input data in real time.

CONSULT-II BASIC OPERATION

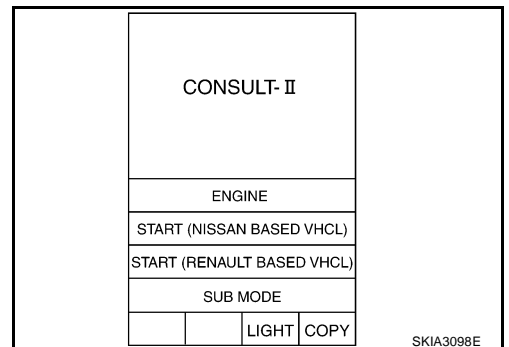
CAUTION:

If CONSULT-II is used with no connection of CONSULT-II CONVERTER, malfunctions might be detected in self-diagnosis depending on control unit which carry out CAN communication.

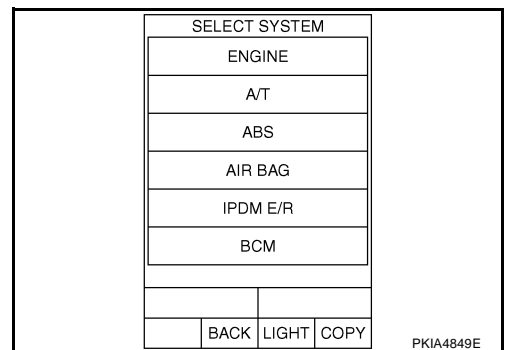
1. With the ignition switch OFF, connect CONSULT-II and CONSULT-II CONVERTER to the data link connector, then turn ignition switch ON.



2. Touch "START (NISSAN BASED VHCL)".

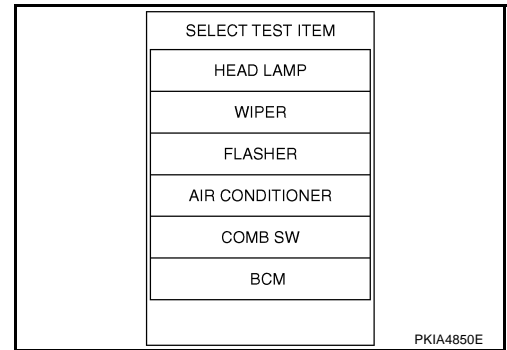


3. Touch "BCM" on "SELECT SYSTEM" screen.
If "BCM" is not indicated, refer to [GI-38, "CONSULT-II Data Link Connector \(DLC\) Circuit"](#).



COMBINATION SWITCH

4. Touch "COMB SW".



DATA MONITOR

Operation Procedure

1. Touch "COMB SW" on "SELECT TEST ITEM" screen.
2. Touch "DATA MONITOR" on "SELECT DIAG MODE" screen.
3. Touch either "ALL SIGNALS" or "SELECTION FROM MENU" on "DATA MONITOR" screen.

ALL SIGNALS	Monitors all the signals.
SELECTION FROM MENU	Selects and monitors individual signal.

4. Touch "START".
5. When "SELECTION FROM MENU" is selected, touch items to be monitored. When "ALL SIGNALS" is selected, all the signals will be monitored.
6. Touch "RECORD" while monitoring, then the status of the monitored item can be recorded. To stop recording, touch "STOP".

Display Item List

Monitor item name "OPERATION OR UNIT"	Contents
TURN SIGNAL R "ON/OFF"	Displays "Turn Right (ON)/Other (OFF)" status, determined from lighting switch signal.
TURN SIGNAL L "ON/OFF"	Displays "Turn Left (ON)/Other (OFF)" status, determined from lighting switch signal.
HI BEAM SW "ON/OFF"	Displays status (high beam switch: ON/Others: OFF) of high beam switch judged from lighting switch signal.
HEAD LAMP SW 1 "ON/OFF"	Displays "Headlamp switch 1 (ON)/Other (OFF)" status, determined from lighting switch signal.
HEAD LAMP SW 2 "ON/OFF"	Displays status (headlamp switch 2: ON/Others: OFF) of headlamp switch 2 judged from lighting switch signal.
LIGHT SW 1ST "ON/OFF"	Displays status (lighting switch 1st position: ON/Others: OFF) of lighting switch judged from lighting switch signal.
PASSING SW "ON/OFF"	Displays status (flash-to-pass switch: ON/Others: OFF) of flash-to-pass switch judged from lighting switch signal.
AUTO LIGHT SW "ON/OFF"	Displays "Auto light switch (ON)/Other (OFF)" status, determined from lighting switch signal.
FR FOG SW "ON/OFF"	Displays "Front fog lamp switch (ON)/Other (OFF)" status, determined from lighting switch signal.
FR WIPER HI "ON/OFF"	Displays "Front Wiper HI (ON)/Other (OFF)" status, determined from wiper switch signal.
FR WIPER LOW "ON/OFF"	Displays "Front Wiper LOW (ON)/Other (OFF)" status, determined from wiper switch signal.
FR WIPER INT "ON/OFF"	Displays "Front Wiper INT (ON)/Other (OFF)" status, determined from wiper switch signal.
FR WASHER SW "ON/OFF"	Displays "Front Washer Switch (ON)/Other (OFF)" status, determined from wiper switch signal.
INT VOLUME [1 - 7]	Displays intermittent operation knob setting (1 - 7), determined from wiper switch signal.
RR WIPER ON "ON/OFF"	Displays "Rear Wiper (ON)/Other (OFF)" status as judged from wiper switch signal.
RR WIPER INT "ON/OFF"	Displays "Rear Wiper INT (ON)/Other (OFF)" status as judged from wiper switch signal.
RR WASHER SW "ON/OFF"	Displays "Rear Washer Switch (ON)/Other (OFF)" status as judged from wiper switch signal.

NOTE:

This item is displayed, but cannot monitor it.

COMBINATION SWITCH

Combination Switch Inspection

AKS009M6

1. SYSTEM CHECK

1. Referring to table below, check which system malfunctioning switch belongs to.

System 1	System 2	System 3	System 4	System 5
—	FR WASHER	FR WIPER LO	TURN LH	TURN RH
FR WIPER HI	—	FR WIPER INT	PASSING	HEAD LAMP1
INT VOLUME 1	RR WASHER	—	HEAD LAMP2	HI BEAM
RR WIPER INT	INT VOLUME 3	AUTO LIGHT	—	LIGHT SW 1ST
INT VOLUME 2	RR WIPER ON	—	FR FOG	—

>> Check the system to which malfunctioning switch belongs, and GO TO 2.

2. SYSTEM CHECK

 With CONSULT-II

CAUTION:

If CONSULT-II is used with no connection of CONSULT-II CONVERTER, malfunctions might be detected in self-diagnosis depending on control unit which carry out CAN communication.

1. Connect CONSULT-II, and select "COMB SW" on "SELECT TEST ITEM" screen.
2. Select "DATA MONITOR".
3. Select "START", and confirm that other switches in malfunctioning system operate normally.

Example: When auto light switch is malfunctioning, confirm that "FRONT WIPER LOW" and "FRONT WIPER INT" in System 3, to which the auto light switch belongs, turn ON-OFF normally.

DATA MONITOR	
MONITOR	
TURN SIGNAL R	OFF
TURN SIGNAL L	OFF
HIBEAM SW	OFF
HEAD LAMP SW1	OFF
HEAD LAMP SW2	OFF
LIGHT SW 1ST	OFF
PASSING SW	OFF
AUTO LIGHT SW	OFF
FR FOG SW	OFF
	Page Down
	RECORD
MODE	BACK
LIGHT	COPY

PKIA7602E

 Without CONSULT-II

Operating combination switch, and confirm that other switches in malfunctioning system operate normally.
Example: When auto light switch is malfunctioning, confirm that FRONT WIPER LOW and FRONT WIPER INT in System 3, to which the auto light switch belongs, operate normally.

Check results

Other switches in malfunctioning system operate normally.>>Replace lighting switch or wiper switch.

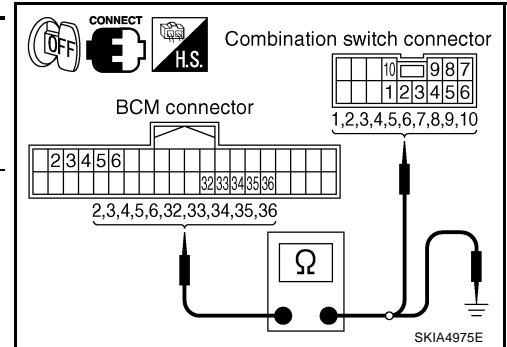
Other switches in malfunctioning system do not operate normally.>>GO TO 3.

COMBINATION SWITCH

3. HARNESS INSPECTION

1. Disconnect BCM and combination switch connectors.
2. Check for continuity between BCM harness connector of the suspect system and the corresponding combination switch connector terminals.

Suspect system	Terminals				Continuity	
	BCM		Combination switch			
	Connector	Terminal (Wire color)	Connector	Terminal (Wire color)		
1	M1	Input 1	6 (W/R)	M29	6 (W/R)	Yes
		Output 1	36 (Y)		1 (Y)	
2		Input 2	5 (W/G)		7 (W/G)	
		Output 2	35 (Y/R)		2 (Y/R)	
3		Input 3	4 (G/R)		10 (G/R)	
		Output 3	34 (PU)		3 (PU)	
4		Input 4	3 (G)		9 (G)	
		Output 4	33 (L)		4 (L)	
5		Input 5	2 (W/L)		8 (W/L)	
		Output 5	32 (GY)		5 (GY)	



3. Check for continuity between each terminal of BCM harness connector in suspect malfunctioning system and ground.

Suspect system	Terminals			Continuity
	BCM		Ground	
	Connector	Terminal (Wire color)		
1	M1	Input 1	6 (W/R)	No
		Output 1	36 (Y)	
2		Input 2	5 (W/G)	
		Output 2	35 (Y/R)	
3		Input 3	4 (G/R)	
		Output 3	34 (PU)	
4		Input 4	3 (G)	
		Output 4	33 (L)	
5		Input 5	2 (W/L)	
		Output 5	32 (GY)	

OK or NG

OK >> GO TO 4.

NG >> Check harness between BCM and combination switch for open or short circuit.

COMBINATION SWITCH

4. BCM OUTPUT TERMINAL INSPECTION

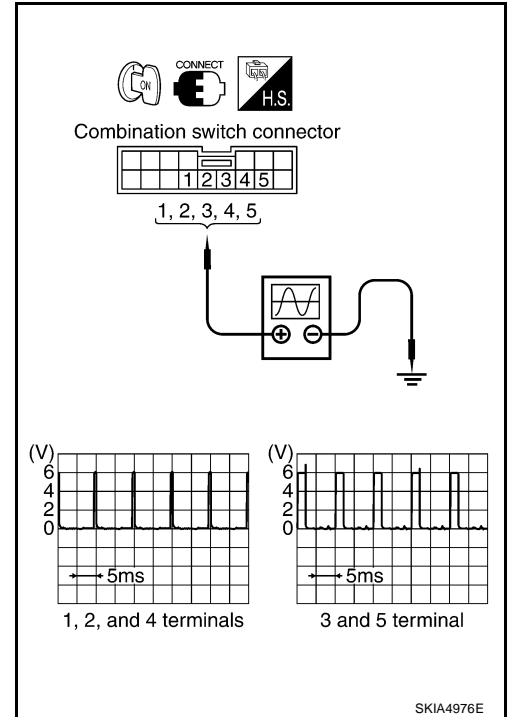
1. Turn lighting switch and wiper switch into OFF.
2. Set wiper dial position 4.
3. Connect BCM and combination switch connectors, and check BCM output terminal voltage waveform of suspect malfunctioning system.

Suspect system	Terminals	
	Combination switch(+)	
	Connector	Terminal (Wire color)
1	M29	1 (Y)
2		2 (Y/R)
3		3 (PU)
4		4 (L)
5		5 (GY)

OK or NG

OK >> Open circuit in combination switch, GO TO 5.

NG >> Replace BCM.



5. COMBINATION SWITCH INSPECTION

Referring to table below, perform combination switch inspection.

Procedure									
1	2	3	4	5	6	7			
Replace lighting switch.	Confirm check results.	OK	INSPECTION END	Confirm check results.	OK	INSPECTION END	Confirm check results.	OK	INSPECTION END
		NG	Replace wiper switch.		NG	Replace switch base.		NG	Confirm symptom again.

>> INSPECTION END

Removal and Installation

For details, refer to [LT-124, "LIGHTING AND TURN SIGNAL SWITCH"](#).

AKS009M7

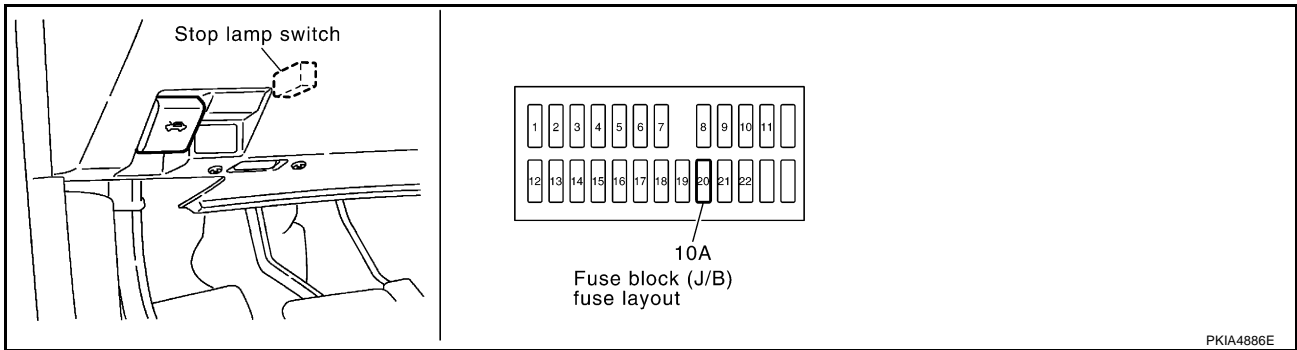
STOP LAMP

STOP LAMP

PFP:26550

Component Parts and Harness Connector Location

AKS009M8



System Description

AKS009M9

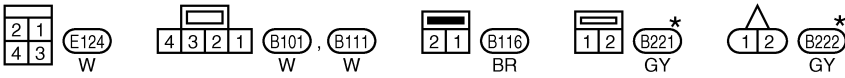
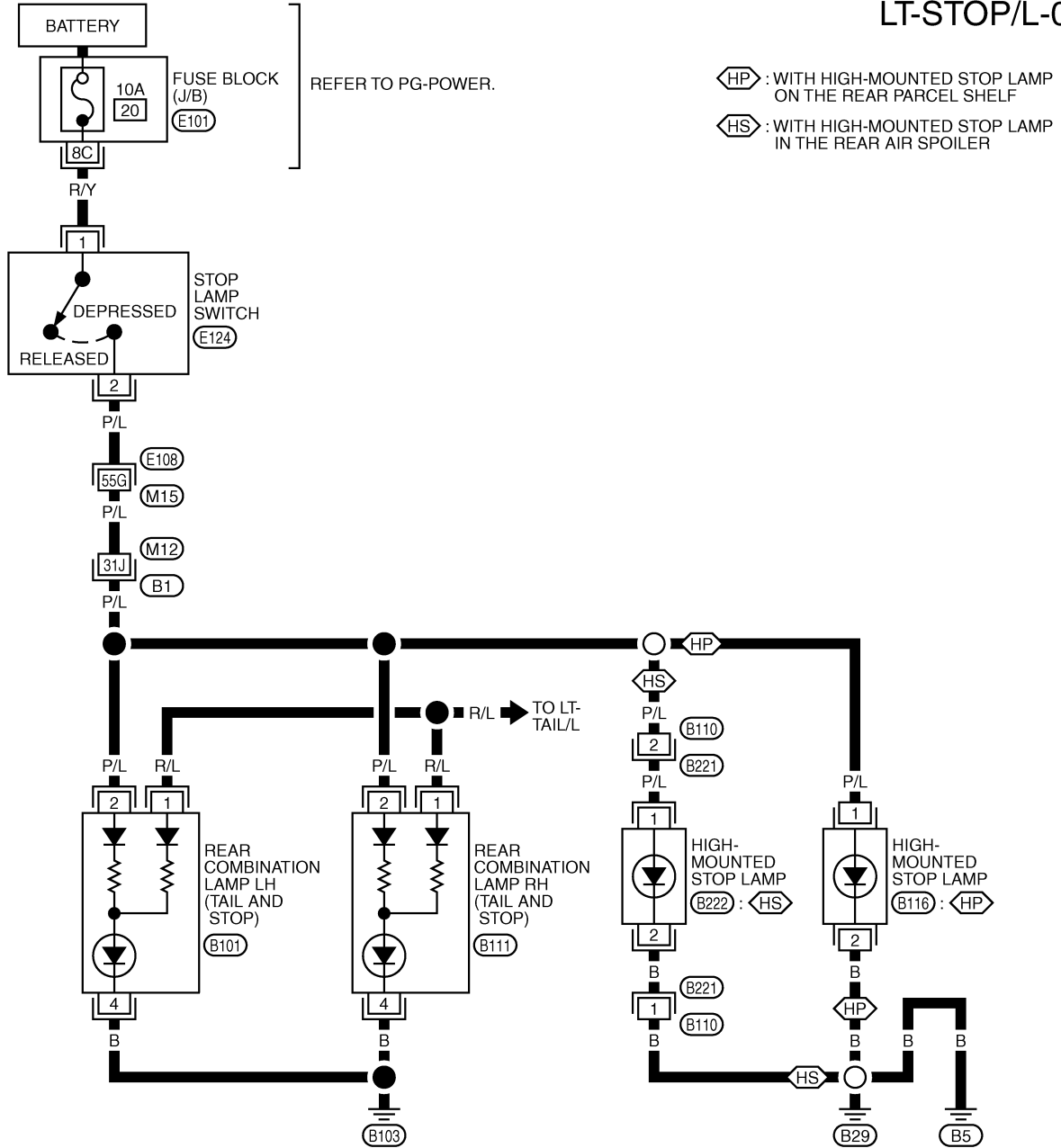
The current that flows by Rear combination lamp unit is controlled, and a stop lamp (LED) is made to turn on.

STOP LAMP

Wiring Diagram — STOP/L —

AKS009MA

LT-STOP/L-01



*: THIS CONNECTOR IS NOT SHOWN IN "HARNESS LAYOUT", PG SECTION.

REFER TO THE FOLLOWING.
 E108, B1 -SUPER MULTIPLE JUNCTION (SMJ)
 E101 -FUSE BLOCK-JUNCTION BOX (J/B)

A
B
C
D
E
F
G
H
I
J
LT
L
M

STOP LAMP

Bulb Replacement of High-mounted Stop Lamp WITH REAR SPOILER

AKS009MB

1. Remove high-mounted stop lamp. Refer to [LT-134, "Removal and Installation of High-mounted Stop Lamp"](#) .
2. Replace together with high-mounted stop lamp.

High-mounted stop lamp : LED

WITHOUT REAR SPOILER

1. Remove high-mounted stop lamp. Refer to [LT-134, "Removal and Installation of High-mounted Stop Lamp"](#) .
2. Replace together with high-mounted stop lamp.

High-mounted stop lamp : LED

Bulb Replacement of Rear Combination Lamp (Stop Lamp)

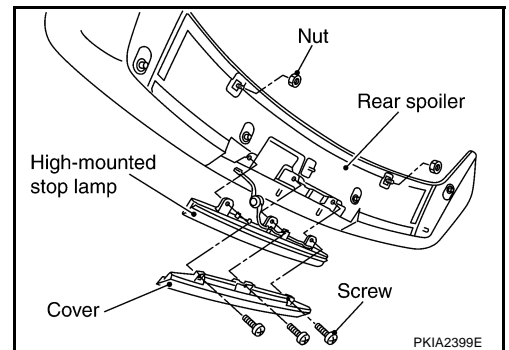
AKS009MC

Refer to [LT-156, "Bulb Replacement"](#) in "REAR COMBINATION LAMP".

Removal and Installation of High-mounted Stop Lamp REMOVAL (WITH REAR SPOILER)

AKS009MD

1. Remove rear spoiler. Refer to [EI-35, "REAR SPOILER"](#) in "EI" section.
2. Remove screws and remove high-mounted stop lamp from rear spoiler.
3. Disconnect high-mounted stop lamp connector.

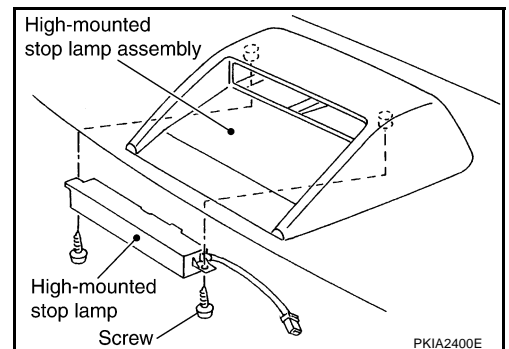


INSTALLATION

Install in the reverse order of removal.

REMOVAL (WITHOUT REAR SPOILER)

1. Remove rear parcel shelf finisher. Refer to [EI-41, "REAR PARCEL SHELF FINISHER"](#) in "EI" section.
2. Remove screws and remove high-mounted stop lamp from rear parcel shelf finisher.
3. Disconnect high-mounted stop lamp connector.



INSTALLATION

Install in the reverse order of removal.

Removal and Installation of Rear Combination Lamp (Stop Lamp)

AKS009ME

Refer to [LT-156, "Removal and Installation"](#) in "REAR COMBINATION LAMP".

STEP LAMP

STEP LAMP

PFP:26420

Bulb Replacement

AKS000M5

1. Remove step lamp. Refer to [LT-135, "Removal and Installation"](#).
2. Remove bulb.

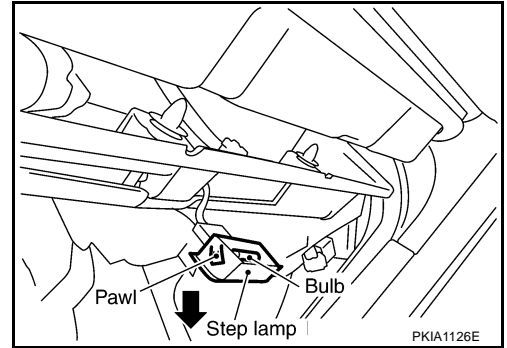
Step lamp : 12V - 5W

Removal and Installation

AKS000M6

REMOVAL

1. Undo clips on lower part of front door finisher and lift finisher up.
2. Disconnect step lamp connector.
3. Press pawl on reverse side and remove the step lamp.



INSTALLATION

Install in the reverse order of removal.

A

B

C

D

E

F

G

H

I

J

LT

L

M

BACK-UP LAMP

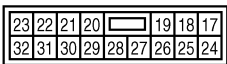
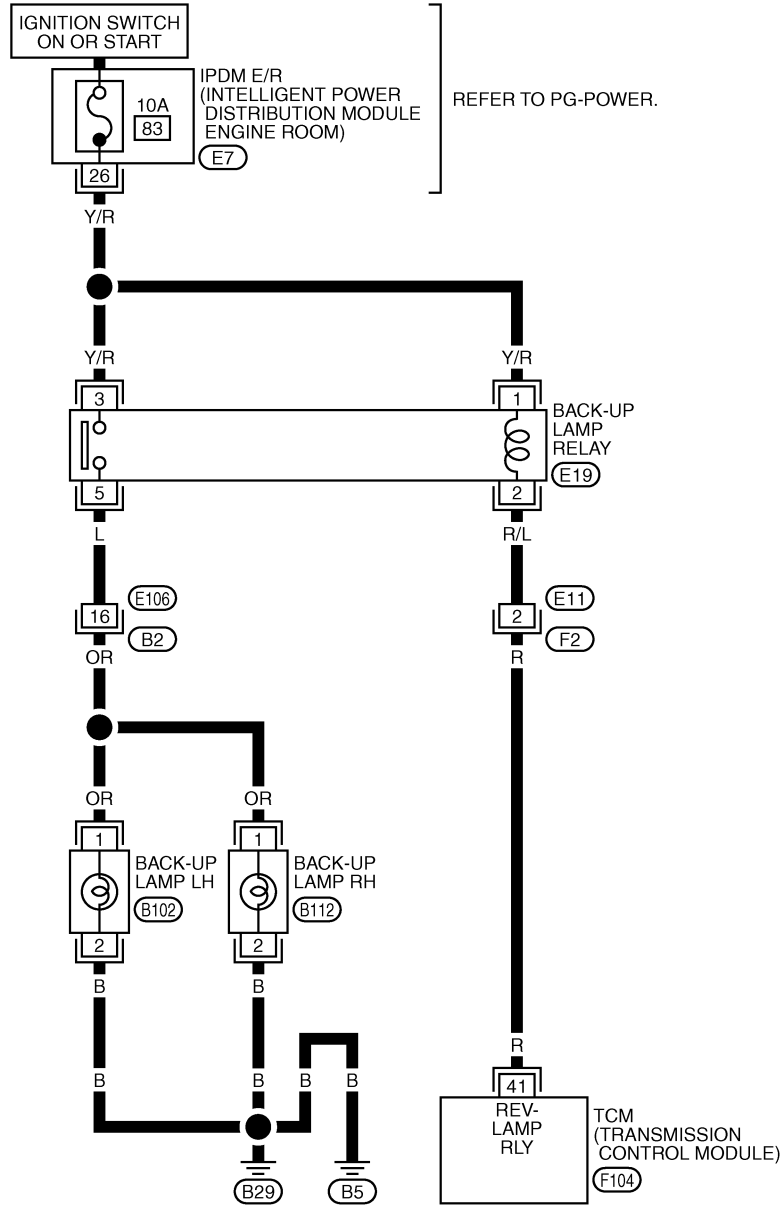
PFP:26550

AKS0007X

LT-BACK/L-01

BACK-UP LAMP

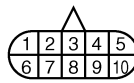
Wiring Diagram — BACK/L —



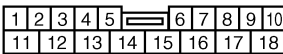
E7
GY



E19
L



F2
GY



B2
W



B102
W

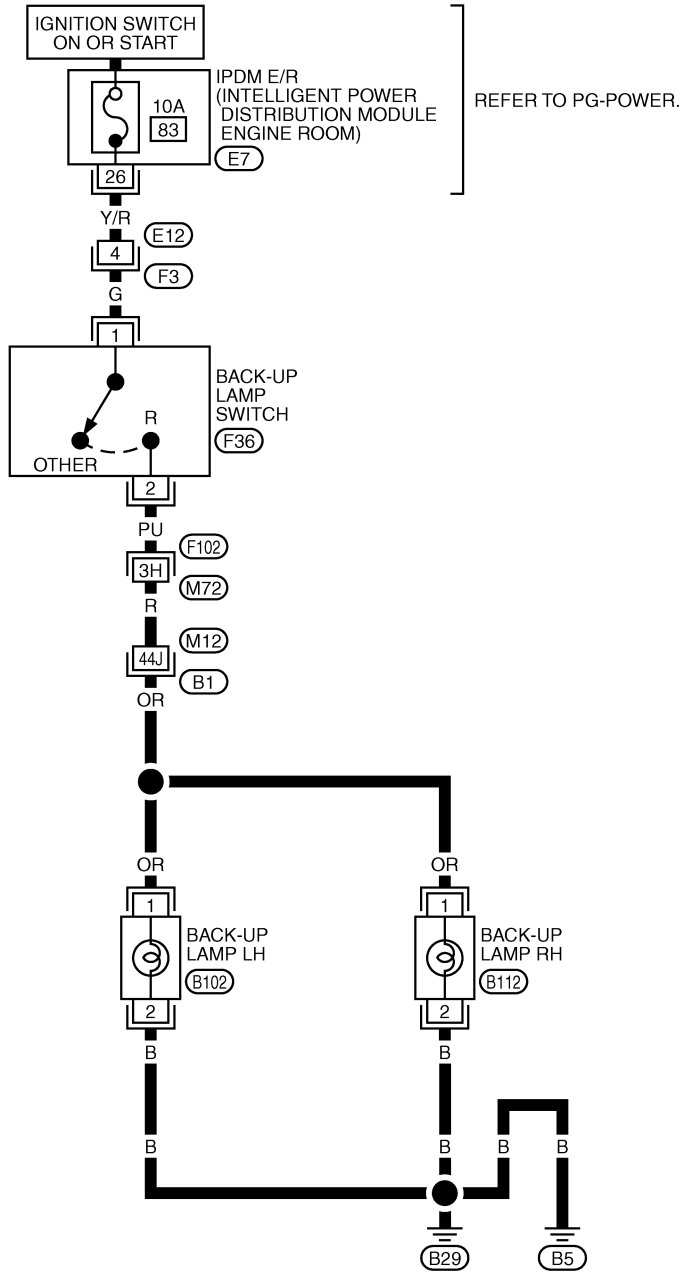
B112
W

REFER TO THE FOLLOWING.

F104 -ELECTRICAL UNITS

BACK-UP LAMP

LT-BACK/L-02



REFER TO PG-POWER.

A
B
C
D
E
F
G
H
I
J
LT
L
M

23	22	21	20	19	18	17
32	31	30	29	28	27	26
25	24					

E7 GY

F3 B

F36 B

B102, B112 W W

REFER TO THE FOLLOWING.
 , -SUPER MULTIPLE JUNCTION (SMJ)

BACK-UP LAMP

Bulb Replacement

AKS0007Y

Refer to [LT-156, "Bulb Replacement"](#) in "REAR COMBINATION LAMP".

Removal and Installation

AKS0007Z

Refer to [LT-156, "Removal and Installation"](#) in "REAR COMBINATION LAMP".

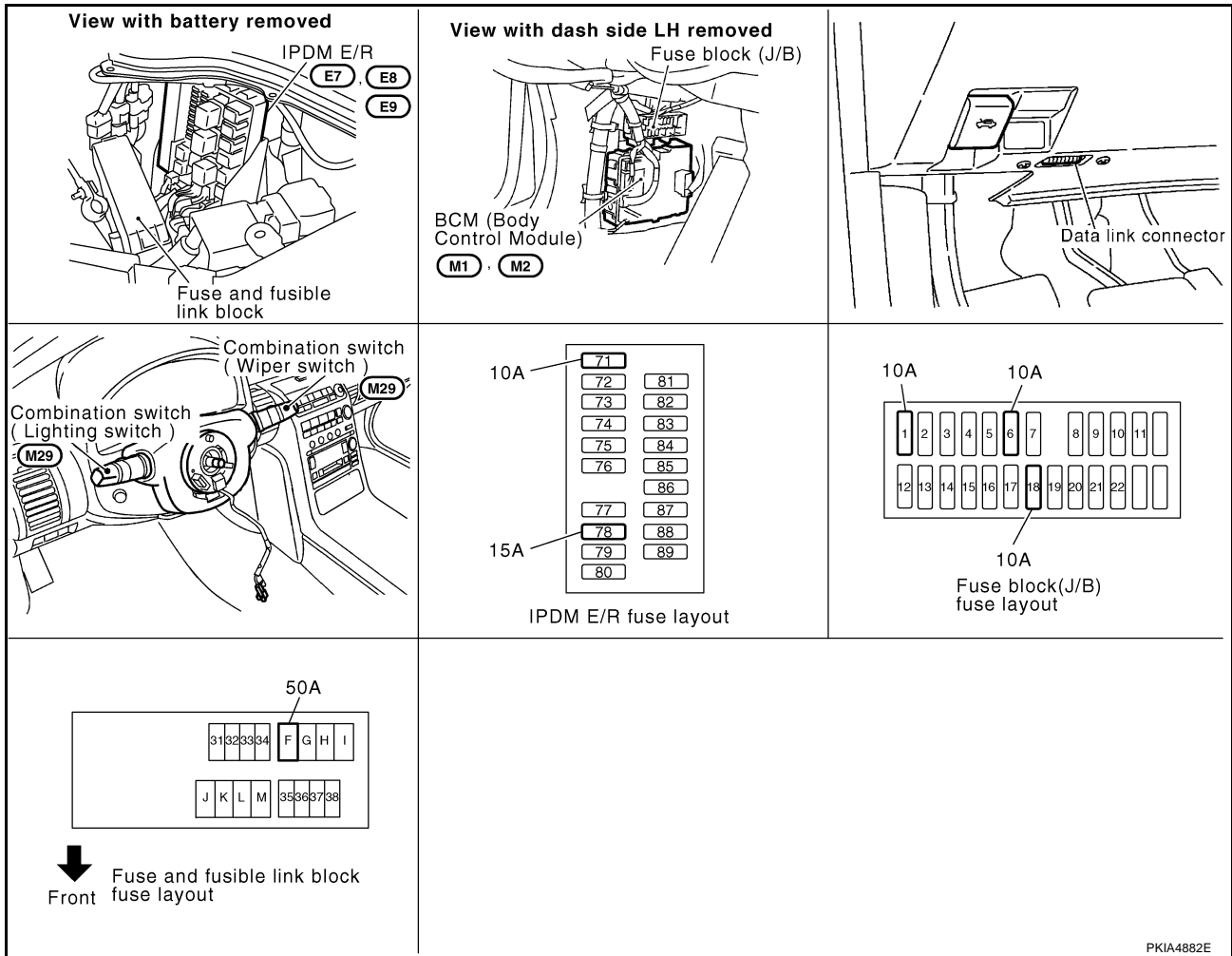
PARKING, LICENSE PLATE AND TAIL LAMPS

PARKING, LICENSE PLATE AND TAIL LAMPS

PDF:26550

Component Parts and Harness Connector Location

AKS009K2



PKIA4882E

System Description

AKS009K6

Control of the parking, license plate, and tail lamp operation is dependent upon the position of the lighting switch (combination switch). When the lighting switch is placed in the 1ST position, the BCM (body control module) receives input signal requesting the parking, license plate, side marker and tail lamps to illuminate. This input signal is communicated to the IPDM E/R (intelligent power distribution module engine room) across the CAN communication lines. The CPU (central processing unit) of the IPDM E/R (intelligent power distribution module engine room) controls the tail lamp relay coil. This relay, when energized, directs power to the parking, license plate, side marker and tail lamps, which then illuminate.

Power is supplied at all times

- through 10A fuse [No. 71, located in IPDM E/R (intelligent power distribution module engine room)]
- to tail lamp relay [located in IPDM E/R (intelligent power distribution module engine room)]
- through 15A fuse [No. 78 located in IPDM E/R (intelligent power distribution module engine room)]
- to CPU (central processing unit) [located in IPDM E/R (intelligent power distribution module engine room)].

Power is also supplied at all times

- through 50A fusible link (letter F, located in the fuse and fusible link block)
- to BCM (body control module) terminal 55
- through 10A fuse [No. 18, located in fuse block (J/B)]
- to BCM (body control module) terminal 42.

With the ignition switch in the ON or START position, power is supplied

- through 10A fuse [No. 1, located in fuse block (J/B)]

A
B
C
D
E
F
G
H
I
J

LT

L
M

PARKING, LICENSE PLATE AND TAIL LAMPS

- to BCM (body control module) terminal 38 and
- to CPU (central processing unit) [located in IPDM E/R (intelligent power distribution module engine room)].

With the ignition switch in the ACC or ON position, power is supplied

- through 10A fuse [No. 6, located in fuse block (J/B)]
- to BCM (body control module) terminal 11.

Ground is supplied

- to BCM (body control module) terminal 52
- through grounds M30 and M66
- to IPDM E/R (intelligent power distribution module engine room) terminals 38 and 60
- through grounds E17 and E43.

OPERATION BY LIGHTING SWITCH

With the lighting switch in the 1ST or 2ND position (or if the auto light system is activated), the BCM receives input signal requesting the parking, license plate, side marker and tail lamps to illuminate. This input signal is communicated to the IPDM E/R across the CAN communication lines. The CPU in the IPDM E/R controls the tail lamp relay coil, which when energized, directs power

- through IPDM E/R terminal 22
- to front side marker lamp LH terminal 1
- to front combination lamp LH terminal 7
- to license plate lamp terminal 1
- to rear combination lamp LH terminal 1
- to front side marker lamp RH terminal 1
- to front combination lamp RH terminal 7
- to rear combination lamp RH terminal 1.

Ground is supplied at all times

- to front side marker lamp LH terminal 2
- through grounds E17 and E43
- to front combination lamp LH terminal 4
- through grounds E17 and E43
- to license plate lamp terminal 2
- through grounds B5 and B29
- to rear combination lamp LH terminal 4
- through ground B103
- to front side marker lamp RH terminal 2
- through grounds E17 and E43
- to front combination lamp RH terminal 4
- through grounds E17 and E43
- to rear combination lamp RH terminal 4
- through ground B103.

With power and ground supplied, the parking, license plate, side marker and tail lamps illuminate.

COMBINATION SWITCH READING FUNCTION

Refer to [BCS-3, "COMBINATION SWITCH READING FUNCTION"](#) .

EXTERIOR LAMP BATTERY SAVER CONTROL

When the combination switch (lighting switch) is in the 1ST (or 2ND) position, and the ignition switch is turned from ON or ACC to OFF, the battery saver control feature is activated.

Under this condition, the parking, license, side marker and tail lamps remain illuminated for 5 minutes, then the parking, license plate, side marker and tail lamps are turned off.

Exterior lamp battery saver control mode can be changed by the function setting of CONSULT-II.

PARKING, LICENSE PLATE AND TAIL LAMPS

CAN Communication System Description

AKS009K7

CAN (Controller Area Network) is a serial communication line for real time application. It is an on-vehicle multiplex communication line with high data communication speed and excellent error detection ability. Many electronic control units are equipped onto a vehicle, and each control unit shares information and links with other control units during operation (not independent). In CAN communication, control units are connected with 2 communication lines (CAN H line, CAN L line) allowing a high rate of information transmission with less wiring. Each control unit transmits/receives data but selectively reads required data only.

CAN Communication Unit

AKS009K8

Refer to [LAN-4, "CAN Communication Unit"](#) .

A

B

C

D

E

F

G

H

I

J

LT

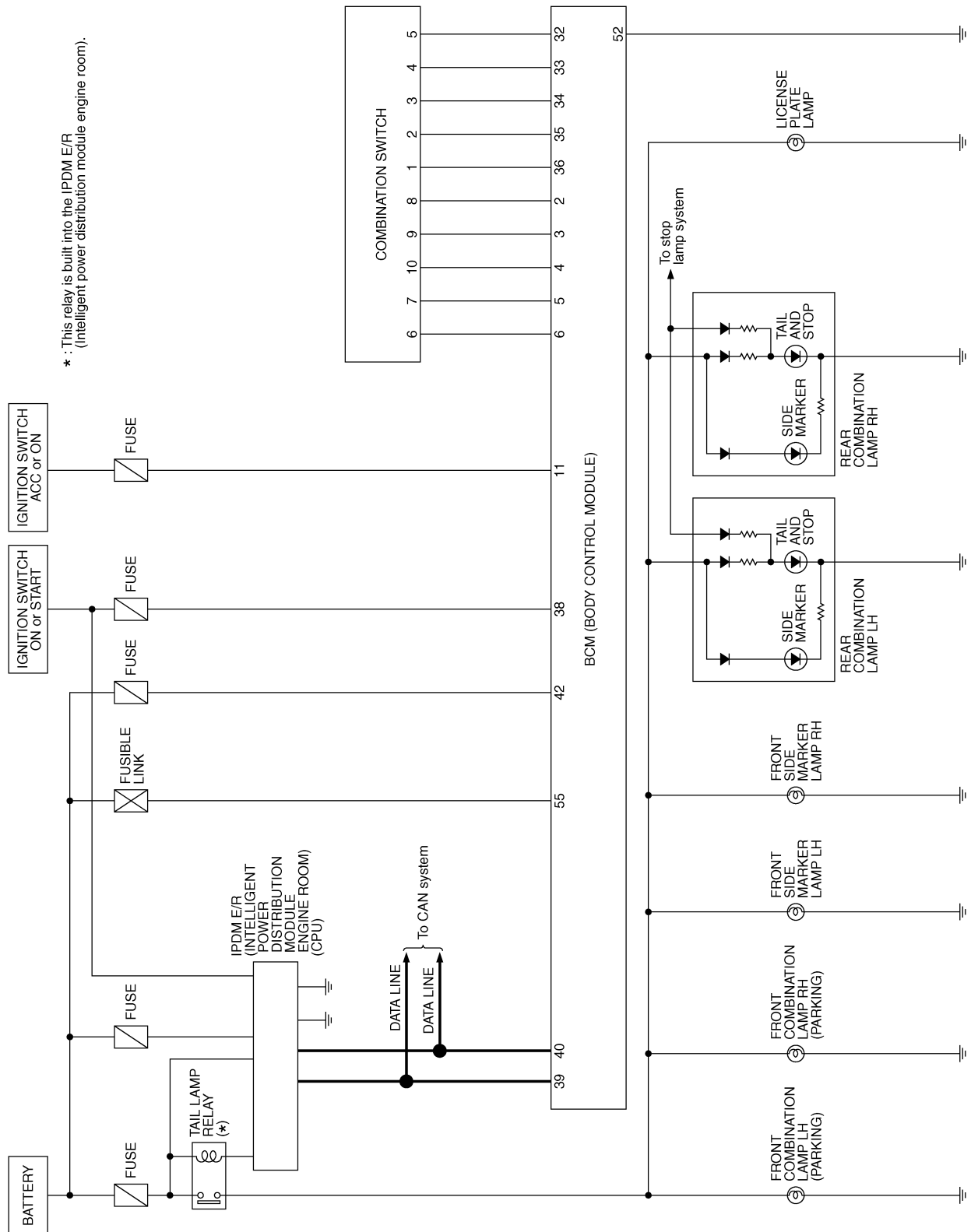
L

M

PARKING, LICENSE PLATE AND TAIL LAMPS

Schematic

AKS009K9



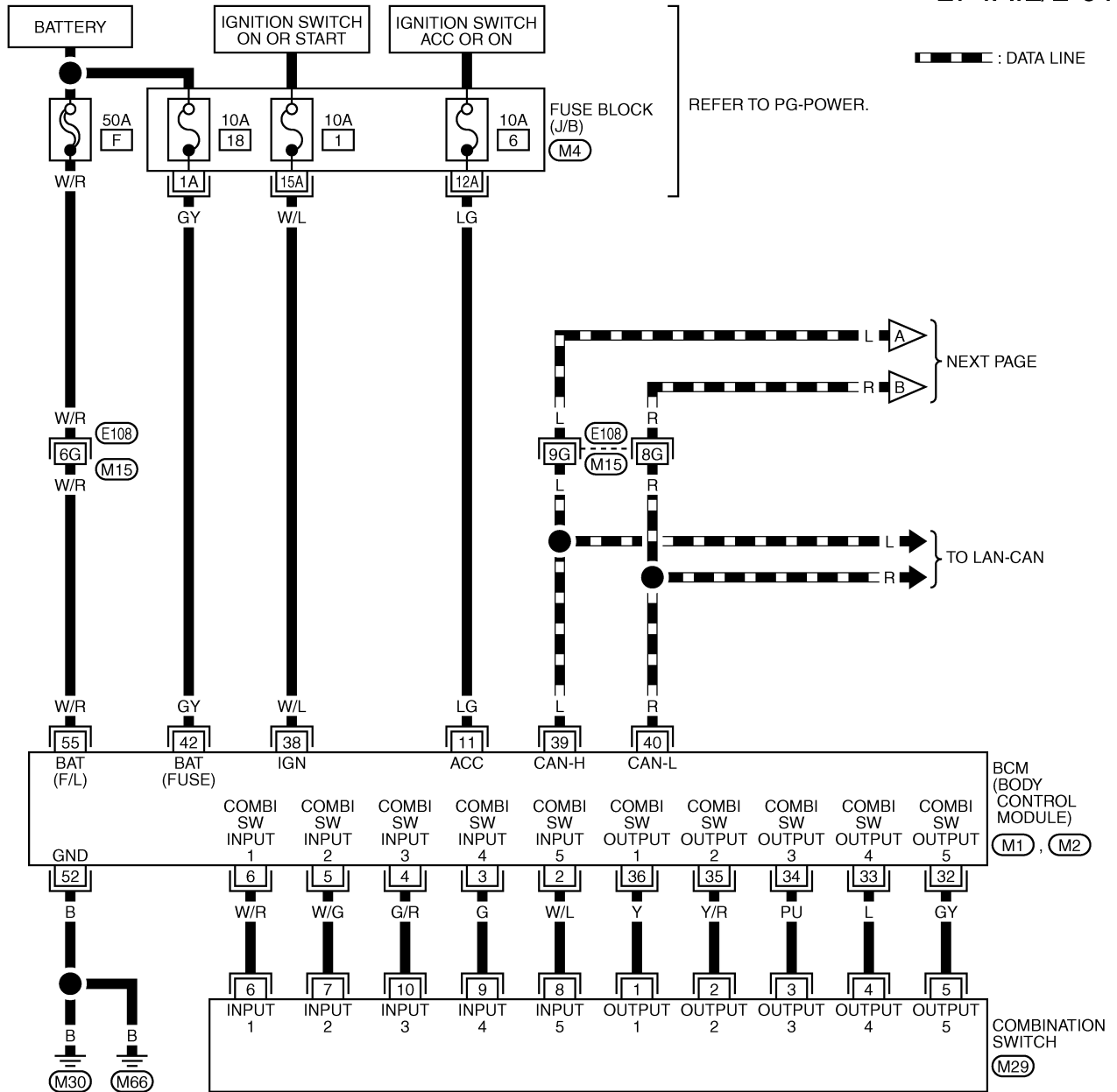
TKWT1430E

PARKING, LICENSE PLATE AND TAIL LAMPS

Wiring Diagram — TAIL/L —

AKS009KA

LT-TAIL/L-01



7	8	9	10	13	12	
6	5	4	3	2	1	11

(M29) W

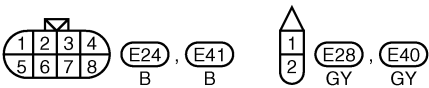
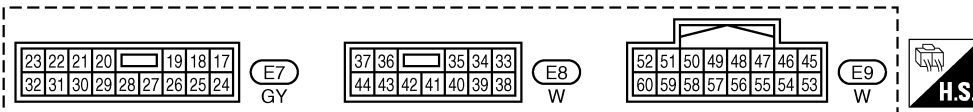
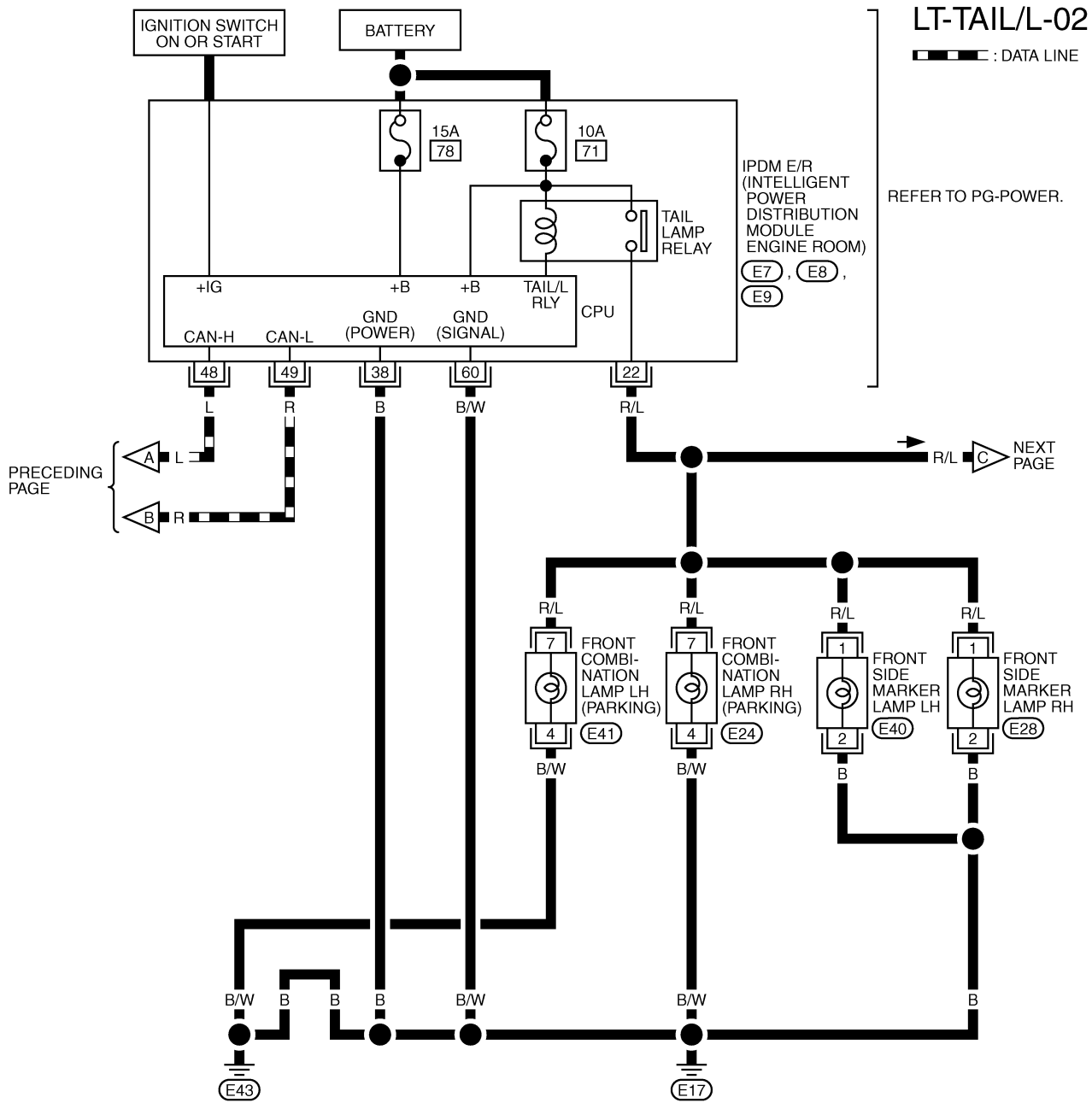
REFER TO THE FOLLOWING.

(E108) -SUPER MULTIPLE JUNCTION (SMJ)

(M4) -FUSE BLOCK-JUNCTION BOX (J/B)

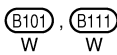
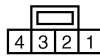
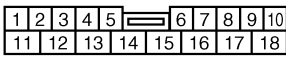
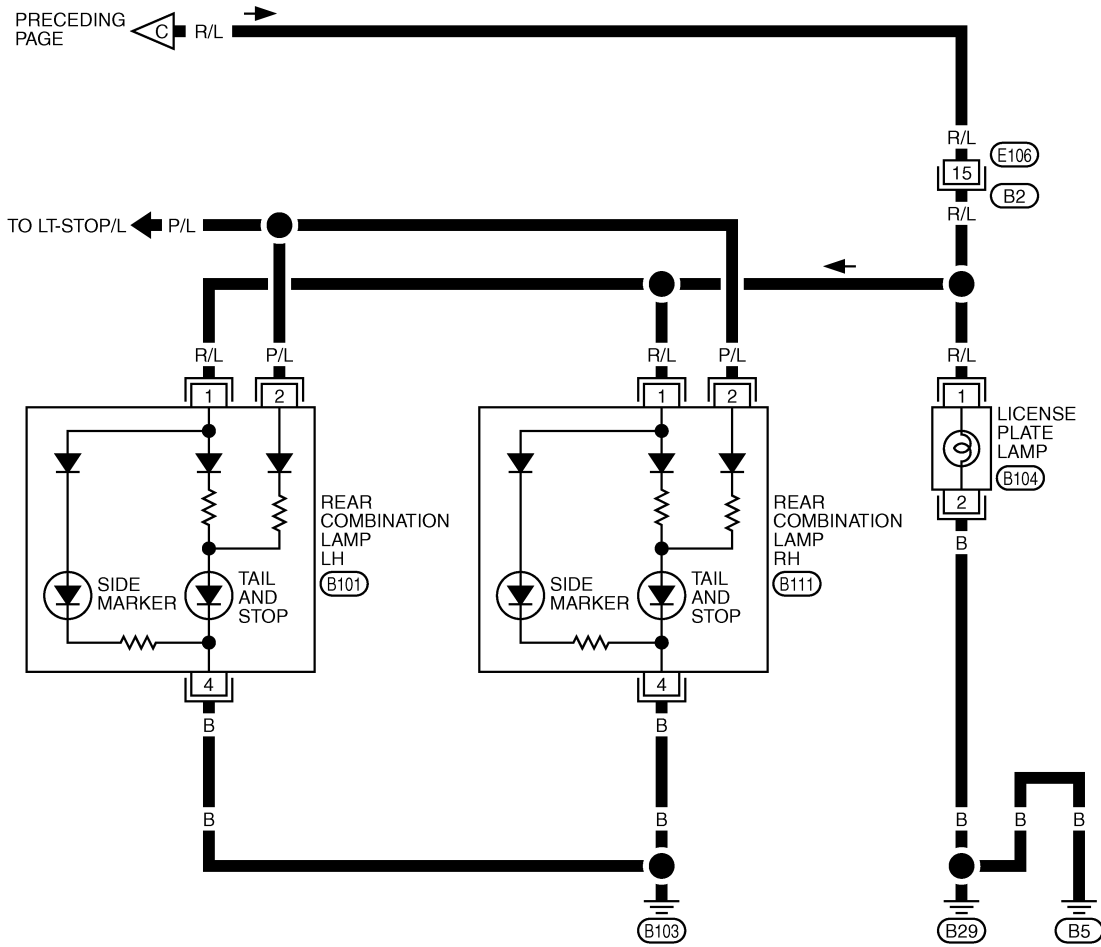
(M1), (M2) -ELECTRICAL UNITS

PARKING, LICENSE PLATE AND TAIL LAMPS



PARKING, LICENSE PLATE AND TAIL LAMPS

LT-TAIL/L-03



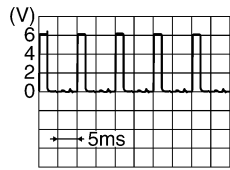
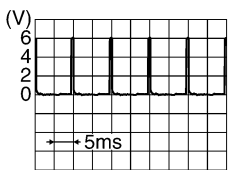
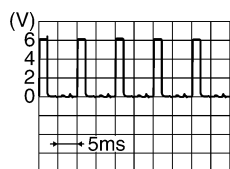
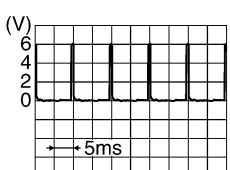
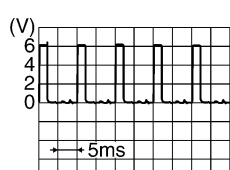

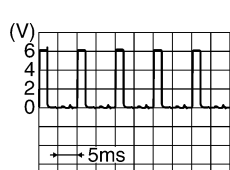
A
B
C
D
E
F
G
H
I
J
K
L
M

LT

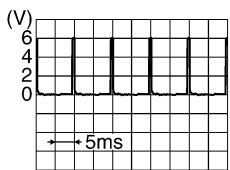
PARKING, LICENSE PLATE AND TAIL LAMPS

Terminals and Reference Values for BCM

AKS009KB

Terminal No.	Wire color	Signal name	Measuring condition		Reference value
			Ignition switch	Operation or condition	
2	W/L	Combination switch input 5	ON	Lighting, turn, wiper OFF Wiper dial position 4	 <p style="text-align: right;">SKIA5291E</p>
3	G	Combination switch input 4	ON	Lighting, turn, wiper OFF Wiper dial position 4	 <p style="text-align: right;">SKIA5292E</p>
4	G/R	Combination switch input 3	ON	Lighting, turn, wiper OFF Wiper dial position 4	 <p style="text-align: right;">SKIA5291E</p>
5	W/G	Combination switch input 2	ON	Lighting, turn, wiper OFF Wiper dial position 4	 <p style="text-align: right;">SKIA5292E</p>
6	W/R	Combination switch input 1			
11	LG	Ignition switch (ACC)	ACC	—	Battery voltage
32	GY	Combination switch output 5	ON	Lighting, turn, wiper OFF Wiper dial position 4	 <p style="text-align: right;">SKIA5291E</p>
33	L	Combination switch output 4	ON	Lighting, turn, wiper OFF Wiper dial position 4	 <p style="text-align: right;">SKIA5292E</p>
34	PU	Combination switch output 3	ON	Lighting, turn, wiper OFF Wiper dial position 4	 <p style="text-align: right;">SKIA5291E</p>

PARKING, LICENSE PLATE AND TAIL LAMPS

Terminal No.	Wire color	Signal name	Measuring condition		Reference value
			Ignition switch	Operation or condition	
35	Y/R	Combination switch output 2	ON	Lighting, turn, wiper OFF Wiper dial position 4	 SKIA5292E
36	Y	Combination switch output 1			
38	W/L	Ignition switch (ON)	ON	—	Battery voltage
39	L	CAN- H	—	—	—
40	R	CAN- L	—	—	—
42	GY	Battery power supply	OFF	—	Battery voltage
52	B	Ground	ON	—	Approx. 0V
55	W/R	Battery power supply	OFF	—	Battery voltage

Terminals and Reference Values for IPDM E/R

AKS009KC

Terminal No.	Wire color	Signal name	Measuring condition		Reference value	
			Ignition switch	Operation or condition		
22	R/L	Parking, license, and tail lamp	ON	Lighting switch 1ST position	OFF	Approx. 0V
					ON	Battery voltage
38	B	Ground	ON	—	Approx. 0V	
48	L	CAN- H	—	—	—	
49	R	CAN- L	—	—	—	
60	B/W	Ground	ON	—	Approx. 0V	

How to Proceed With Trouble Diagnosis

AKS009KD

1. Confirm the symptom or customer complaint.
2. Understand operation description and function description. Refer to [LT-139, "System Description"](#).
3. Perform the preliminary check. Refer to [LT-147, "Preliminary Check"](#).
4. Check symptom and repair or replace the cause of malfunction.
5. Do the parking, license and tail lamps operate normally? If YES: GO TO 6. If NO: GO TO 4.
6. INSPECTION END

Preliminary Check

AKS009KE

CHECK POWER SUPPLY AND GROUND CIRCUIT

1. CHECK FUSES

- Check fuses for blown-out.

Unit	Power source	Fuse and fusible link No.
BCM	Battery	F
		18
	Ignition switch ON or START position	1
	Ignition switch ACC or ON position	6
IPDM E/R	Battery	71
		78

PARKING, LICENSE PLATE AND TAIL LAMPS

Refer to [LT-143, "Wiring Diagram — TAIL/L —"](#).

OK or NG

OK >> GO TO 2.

NG >> If fuse is blown, be sure to eliminate cause of malfunction before installing new fuse. Refer to [PG-3, "POWER SUPPLY ROUTING CIRCUIT"](#).

2. CHECK POWER SUPPLY CIRCUIT

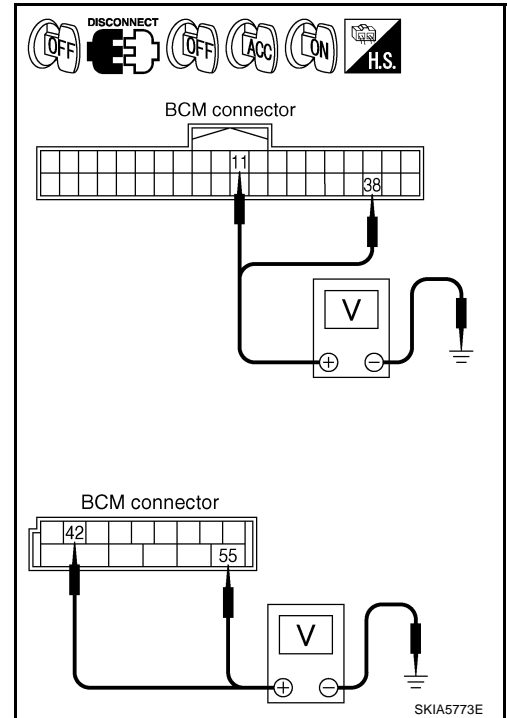
1. Turn ignition switch OFF.
2. Disconnect BCM connector.
3. Check voltage between BCM harness connector and ground.

Terminals		(-)	Ignition switch position		
(+)	Connector		Terminal (Wire color)	OFF	ACC
M1	11 (LG)	Ground	0V	Battery voltage	Battery voltage
	38 (W/L)		0V	0V	Battery voltage
M2	42 (GY)		Battery voltage	Battery voltage	Battery voltage
	55 (W/R)		Battery voltage	Battery voltage	Battery voltage

OK or NG

OK >> GO TO 3.

NG >> Check harness for open or short between BCM and fuse.



3. CHECK GROUND CIRCUIT

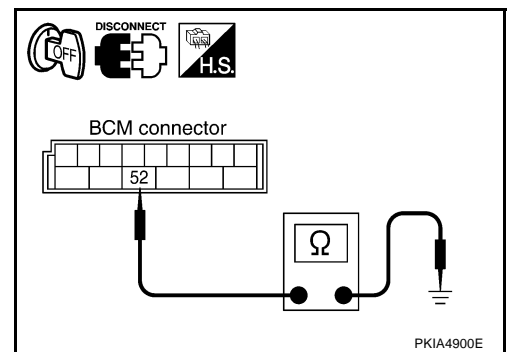
Check continuity between BCM harness connector and ground.

Terminals		Ground	Continuity
Connector	Terminal (Wire color)		Yes
M2	52 (B)		Yes

OK or NG

OK >> INSPECTION END

NG >> Check ground circuit harness.



CONSULT-II Functions

Refer to [LT-19, "CONSULT-II Functions \(BCM\)"](#) in HEAD LAMP.

Refer to [LT-22, "CONSULT-II Functions \(IPDM E/R\)"](#) in HEAD LAMP.

Refer to [LT-55, "CONSULT-II Functions \(BCM\)"](#) in HEADLAMP (FOR CANADA).

Refer to [LT-58, "CONSULT-II Functions \(IPDM E/R\)"](#) in HEADLAMP (FOR CANADA).

PARKING, LICENSE PLATE AND TAIL LAMPS

Parking, License Plate and Tail Lamps Do Not Illuminate

AKS009KG

1. CHECK COMBINATION SWITCH INPUT SIGNAL

④ With CONSULT-II

Select "BCM" on CONSULT-II. With "HEAD LAMP" data monitor, make sure "LIGHT SW 1 ST" turns ON-OFF linked with operation of lighting switch.

When lighting switch is 1ST : LIGHT SW 1 ST ON position

⊗ With out CONSULT-II

Refer to [LT-129, "Combination Switch Inspection"](#) .

OK or NG

OK >> GO TO 2.

NG >> Check lighting switch. Refer to [LT-129, "Combination Switch Inspection"](#) .

DATA MONITOR			
MONITOR		NO DTC	
LIGHT SW 1ST		ON	
RECORD			
MODE	BACK	LIGHT	COPY

PKIA7752E

2. ACTIVE TEST

④ With CONSULT-II

1. Select "IPDM E/R" on CONSULT-II. and select "ACTIVE TEST" on "SELECT DIAG MODE" screen.
2. Select "TAIL LAMP" on "SELECT TEST ITEM" screen.
3. Touch "ON" screen.
4. Make sure parking, license plate, side marker and tail lamp operation.

Parking, license plate, side marker and tail lamp should operate

⊗ With out CONSULT-II

1. Start auto active test. Refer to [PG-22, "Auto Active Test"](#) .
2. Make sure parking, license plate, side marker and tail lamp operation.

Parking, license plate, side marker and tail lamp should operate

OK or NG

OK >> GO TO 3.

NG >> GO TO 4.

ACTIVE TEST			
TAIL LAMP		ON	
OFF			
MODE	BACK	LIGHT	COPY

PKIA7753E

3. CHECK IPDM E/R

1. Select "IPDM E/R" on CONSULT-II. and select "DATA MONITOR" on "SELECT DIAG MODE" screen.
2. Make sure "TAIL & CLR REQ" turns ON when lighting switch is in 1ST position.

When lighting switch is 1ST : TAIL & CLR REQ ON position

OK or NG

OK >> Replace IPDM E/R.

NG >> Replace BCM. Refer to [BCS-15, "Removal and Installation of BCM"](#) .

DATA MONITOR			
MONITOR		NO DTC	
TAIL&CLR REQ		ON	
RECORD			
MODE	BACK	LIGHT	COPY

SKIA5958E

PARKING, LICENSE PLATE AND TAIL LAMPS

4. CHECK INPUT SIGNAL

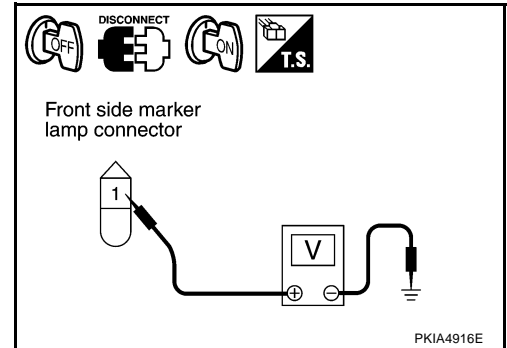
☑ With CONSULT-II

1. Turn ignition switch OFF.
2. Disconnect front side marker, clearance lamp, license plate lamp and rear combination lamp connectors.
3. Select "IPDM E/R" on CONSULT-II. and select "ACTIVE TEST" on "SELECT DIAG MODE" screen.
4. Select "TAIL LAMP" on "SELECT TEST ITEM" screen.
5. Touch "ON" screen.
6. When tail lamp relay is operating, check voltage between front side marker lamp, clearance lamp, license plate lamp, rear combination lamp harness connector and ground.

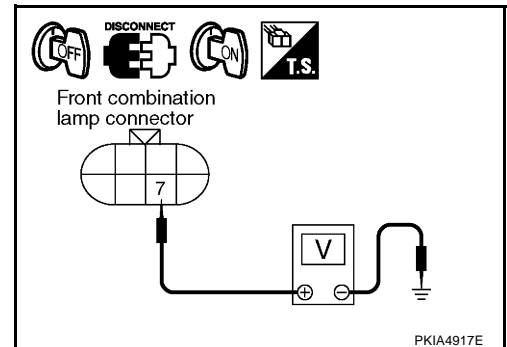
☒ With out CONSULT-II

1. Turn ignition switch OFF.
2. Disconnect front side marker, clearance lamp, license plate lamp and rear combination lamp connectors.
3. Start auto active test. Refer to [PG-22, "Auto Active Test"](#) .
4. When tail lamp relay is operating, check voltage between front side marker lamp, clearance lamp, license plate lamp, rear combination lamp harness connector and ground.

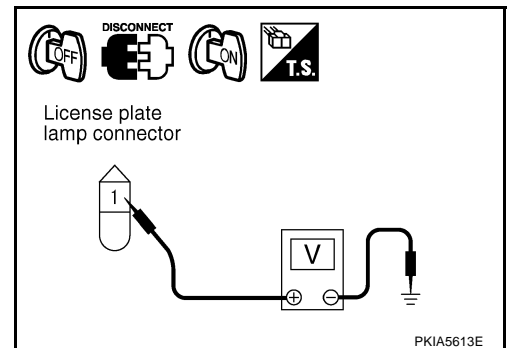
Terminals				Voltage
Front side marker lamp (+)		Terminal (Wire color)	(-)	
Connector				
RH	E28	1 (R/L)	Ground	Battery voltage
LH	E40			



Terminals				Voltage
Front combination lamp (+) (Parking)		Terminal (Wire color)	(-)	
Connector				
RH	E24	7 (R/L)	Ground	Battery voltage
LH	E41			



Terminals				Voltage
License plate lamp (+)		Terminal (Wire color)	(-)	
Connector				
B104		1 (R/L)	Ground	Battery voltage

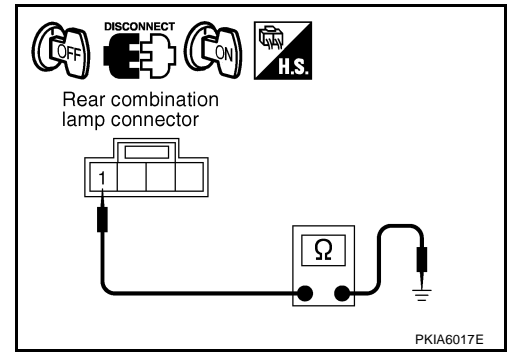


PARKING, LICENSE PLATE AND TAIL LAMPS

Terminals		Terminal (Wire color)	(-)	Voltage
Rear combination lamp (+) (Tail and side marker)				
Connector				
RH	B111			
LH	B101			

OK or NG

- OK >> GO TO 6.
- NG >> GO TO 5.



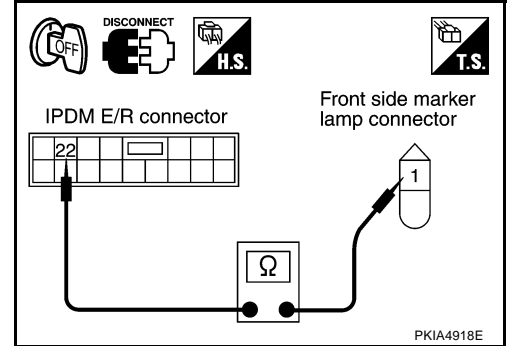
A
B
C
D
E
F
G
H
I
J
LT
L
M

PARKING, LICENSE PLATE AND TAIL LAMPS

5. CHECK PARKING, LICENSE PLATE AND TAIL LAMP CIRCUIT

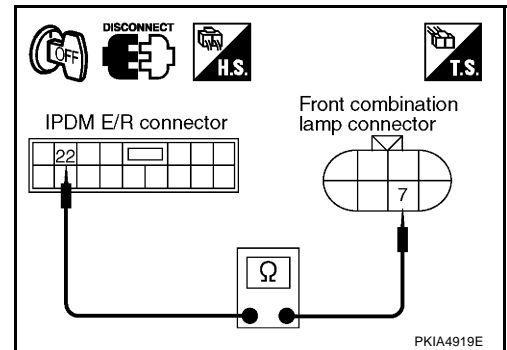
1. Turn ignition switch OFF.
2. Disconnect IPDM E/R connector.
3. Check continuity between IPDM E/R harness connector and front side marker lamp harness connector.

Terminals					Continuity
IPDM E/R		Front side marker lamp			
Connector	Terminal (Wire color)	Connector	Terminal (Wire color)		
E7	22 (R/L)	RH	E28	1 (R/L)	Yes
		LH	E40		



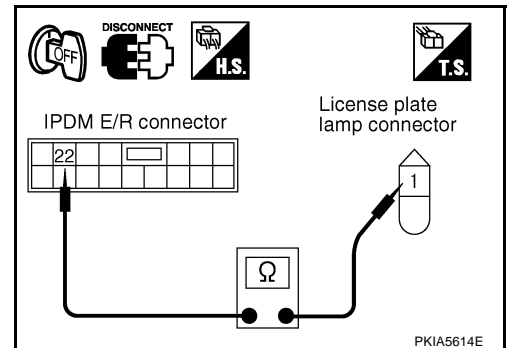
4. Check continuity between IPDM E/R harness connector and front combination lamp harness connector.

Terminals					Continuity
IPDM E/R		Front combination lamp (Parking)			
Connector	Terminal (Wire color)	Connector	Terminal (Wire color)		
E7	22 (R/L)	RH	E24	7 (R/L)	Yes
		LH	E41		



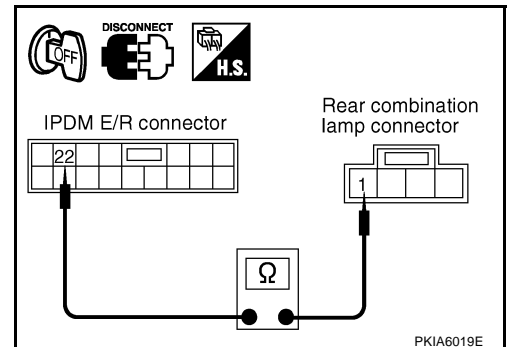
5. Check continuity between IPDM E/R harness connector and license plate lamp harness connector.

Terminals					Continuity
IPDM E/R		License plate lamp			
Connector	Terminal (Wire color)	Connector	Terminal (Wire color)		
E7	22 (R/L)	B104	1 (R/L)		Yes



6. Check continuity between IPDM E/R harness connector and rear combination lamp harness connector.

Terminals					Continuity
IPDM E/R		Rear combination lamp (Tail and side marker)			
Connector	Terminal (Wire color)	Connector	Terminal (Wire color)		
E7	22 (R/L)	RH	B111	1 (R/L)	Yes
		LH	B101		



OK or NG

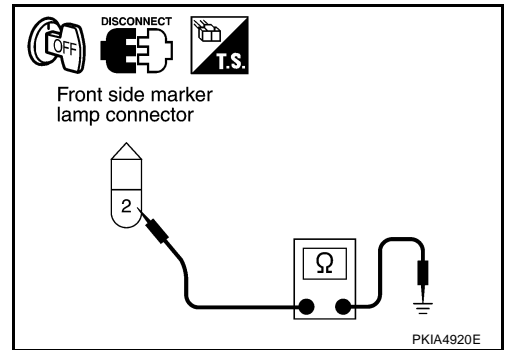
- OK >> Replace IPDM E/R.
 NG >> Repair harness or connector.

PARKING, LICENSE PLATE AND TAIL LAMPS

6. CHECK GROUND

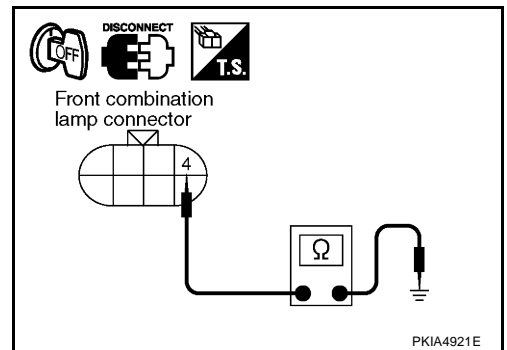
1. Check continuity between front side marker lamp harness connector and ground.

Terminals			Ground	Continuity
Front side marker lamp				
Connector		Terminal (Wire color)	Ground	Yes
RH	E28	2 (B)		
LH	E40			



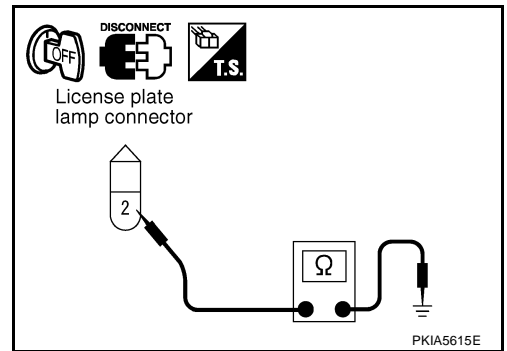
2. Check continuity between front combination lamp harness connector and ground.

Terminals			Ground	Continuity
Front combination lamp (Parking)				
Connector		Terminal (Wire color)	Ground	Yes
RH	E24	4 (B/W)		
LH	E41			



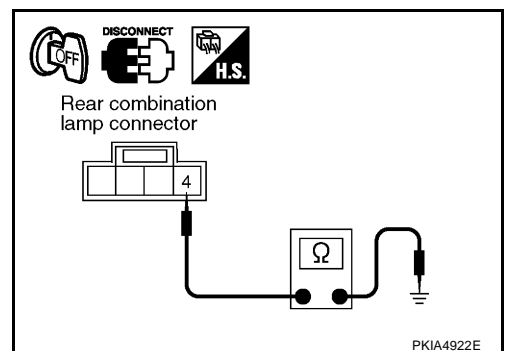
3. Check continuity between license plate lamp harness connector and ground.

Terminals			Ground	Continuity
License plate lamp				
Connector		Terminal (Wire color)	Ground	Yes
B104		2 (B)		



4. Check continuity between rear combination lamp harness connector and ground.

Terminals			Ground	Continuity
Rear combination lamp (Tail and side marker)				
Connector		Terminal (Wire color)	Ground	Yes
RH	B111	4 (B)		
LH	B101			



OK or NG

- OK >> Check bulb or replace rear combination lamp.
 NG >> Repair harness or connector.

A
B
C
D
E
F
G
H
I
J
LT
L
M

PARKING, LICENSE PLATE AND TAIL LAMPS

Parking, License Plate and Tail Lamps Do Not Turn OFF (After Approx. 10 Minutes)

AKS004R0

1. CHECK IPDM E/R

1. Turn the ignition switch ON. Place the combination switch (lighting switch) in the ON position. Turn the ignition switch OFF.
2. make sure the parking, license plate, and tail lamps turn OFF after approximately 10 minutes.

OK or NG

OK >> INSPECTION END.

NG >> Ignition relay malfunction. Refer to [PG-17, "Function of Detecting Ignition Relay Malfunction"](#).

Bulb Replacement

AKS005ID

FRONT SIDE MARKER LAMP

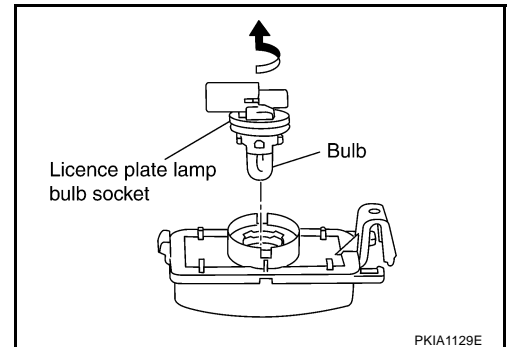
1. Remove front side marker lamp. Refer to [LT-154, "FRONT SIDE MARKER LAMP"](#).
2. Turn bulb socket left to release lock and remove it.
3. Remove bulb.

Front side marker lamp : 12V - 3.8W

LICENSE PLATE LAMP

1. Remove license plate lamp. Refer to [LT-155, "Removal"](#).
2. Turn bulb socket counterclockwise and unlock it.
3. Remove bulb from it's socket.

License plate lamp : 12V - 5W



FRONT TURN SIGNAL (PARKING) LAMP

For bulb replacement, refer to [LT-35, "Bulb Replacement"](#) in "HEAD LAMP (FOR USA)".

TAIL LAMP

For bulb replacement, refer to [LT-156, "Bulb Replacement"](#) in "REAR COMBINATION LAMP".

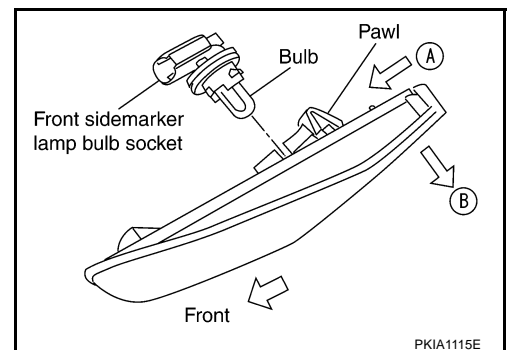
Removal and Installation

FRONT SIDE MARKER LAMP

AKS005IE

Removal

1. Insert a slotted screwdriver or similar tool into fender protector gap to push front side marker lamp pawl in direction A (see figure) while pulling in direction B. Remove from vehicle.
2. Disconnect connectors of front side marker lamp.



Installation

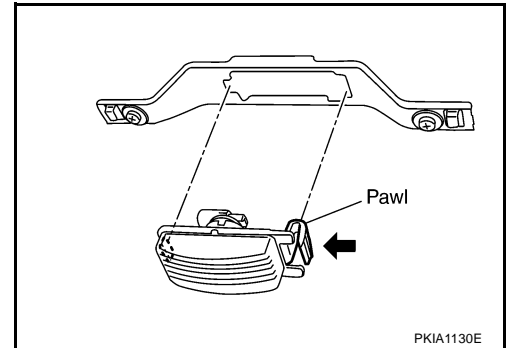
Install in the reverse order of removal.

PARKING, LICENSE PLATE AND TAIL LAMPS

LICENSE PLATE LAMP

Removal

1. While pressing pawl on reverse side, push license plate towards you to remove.
2. Disconnect the license plate lamp connector.



Installation

Install in the reverse order of removal.

FRONT TURN SIGNAL (PARKING) LAMP

For front turn signal (parking) lamp removal and installation procedures, refer to [LT-36, "Removal and Installation"](#) in "HEAD LAMP (FOR USA)".

TAIL LAMP

Removal

For tail lamp removal and installation procedures, refer to [LT-156, "Removal and Installation"](#) in "REAR COMBINATION LAMP".

A
B
C
D
E
F
G
H
I
J
LT
L
M

LT

REAR COMBINATION LAMP

REAR COMBINATION LAMP

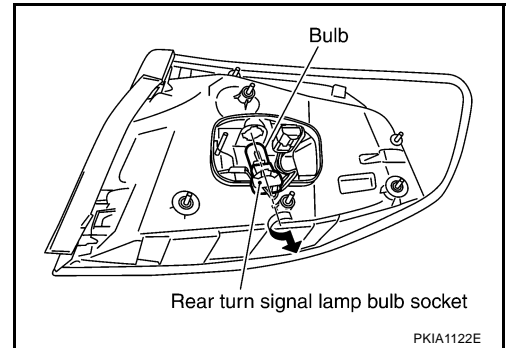
PFP:26554

Bulb Replacement

AKS00AB3

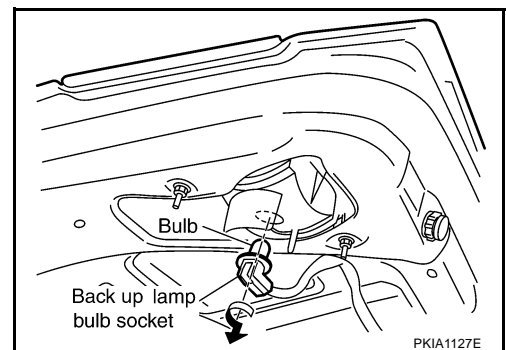
REAR FENDER SIDE (REAR TURN SIGNAL LAMP BULB)

1. Open trunk and remove trunk rear finisher. Refer to [EI-47, "TRUNK ROOM TRIM & TRUNK LID FINISHER"](#) in "EI" section.
2. Turn bulb socket counterclockwise and unlock it.
3. Remove bulb.



TRUNK LID SIDE (BACK-UP LAMP)

1. Remove trunk lid finisher. Refer to [EI-47, "TRUNK ROOM TRIM & TRUNK LID FINISHER"](#) in "EI" section.
2. Turn bulb socket counterclockwise and unlock it.
3. Remove bulb.



Stop/tail lamp (rear fender side)

: LED (Replace together with rear combination lamp assembly.)

Rear turn signal lamp (rear fender side)

: 12V - 21W

Back-up lamp (trunk lid side)

: 12V - 18W

Rear side marker lamp (rear fender side)

: LED (Replace together with rear combination lamp assembly.)

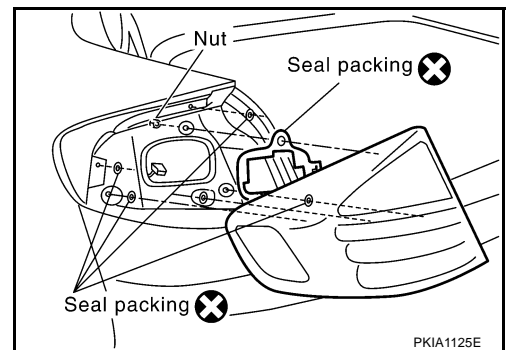
Removal and Installation

REMOVAL

AKS00AB4

Rear Fender Side

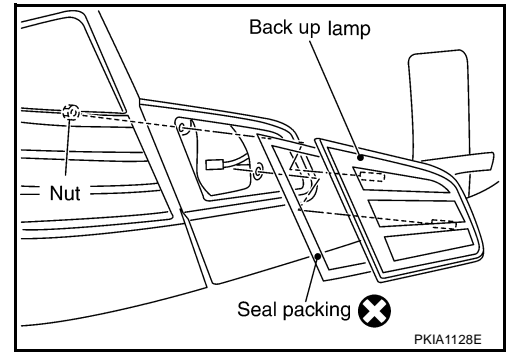
1. Open trunk and remove trunk rear finisher. Refer to [EI-47, "TRUNK ROOM TRIM & TRUNK LID FINISHER"](#) in "EI" section.
2. Disconnect rear combination lamp connector.
3. Remove rear combination lamp installation nuts.
4. Pull the rear combination lamp toward rear of the vehicle and remove from the vehicle.
5. Remove seal packing from the vehicle.



REAR COMBINATION LAMP

Trunk Lid Side

1. Remove trunk lid finisher. Refer to [EI-47, "TRUNK ROOM TRIM & TRUNK LID FINISHER"](#) in "EI" section.
2. Disconnect rear combination lamp connector.
3. Remove rear combination lamp installation nuts.
4. Remove rear combination lamp from trunk lid.
5. Remove seal packing from trunk lid.



INSTALLATION

Install in the reverse order of removal. Be careful of the following:

- Install a new seal packing to the rear combination lamp.

CAUTION:

Seal packing cannot be reused.

Rear combination lamp mounting nut:



: 3.2 N·m (0.33 kg·m, 28 in·lb)

A

B

C

D

E

F

G

H

I

J

LT

L

M

VANITY MIRROR LAMP

VANITY MIRROR LAMP

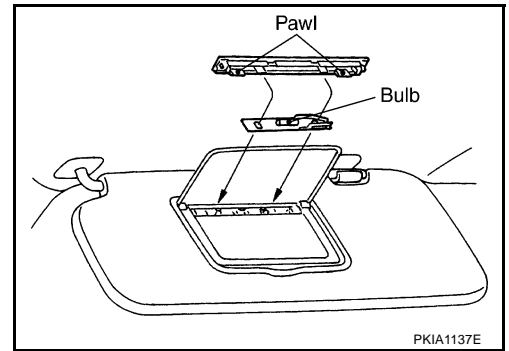
PFP:96400

Bulb Replacement

AKS000N3

1. Insert a thin screwdriver in the lens end and remove lens.
2. Remove bulb together with substrate.

Vanity mirror lamp : 12V - 1.32W



MAP LAMP

MAP LAMP

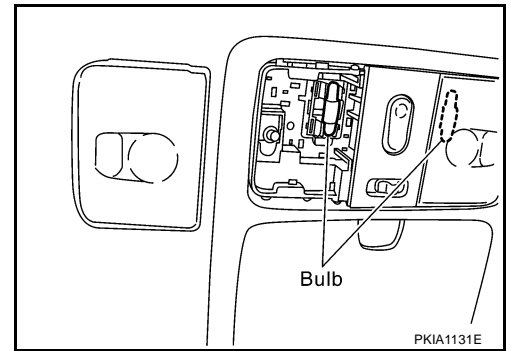
PFP:26430

Bulb Replacement of Map Lamp

AKS0092S

1. Insert a small screwdriver into the lens hinge gap and remove lens.
2. Remove bulb.

Map lamp : 12V - 8W

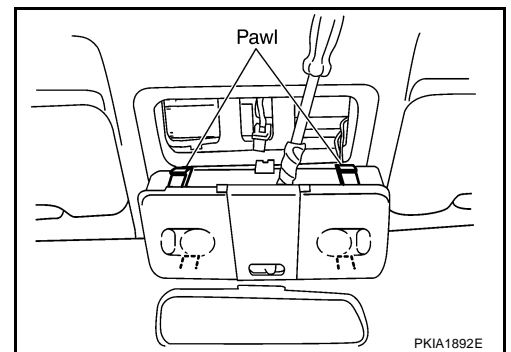


Removal and Installation of Map Lamp

REMOVAL

1. Insert a clip driver or a suitable tool and disengage the pawl fittings of the map lamp.
2. Disconnect connector and remove map lamp.

AKS0092T



INSTALLATION

Install in the reverse order of removal.

A
B
C
D
E
F
G
H
I
J
LT
L
M

TRUNK ROOM LAMP

TRUNK ROOM LAMP

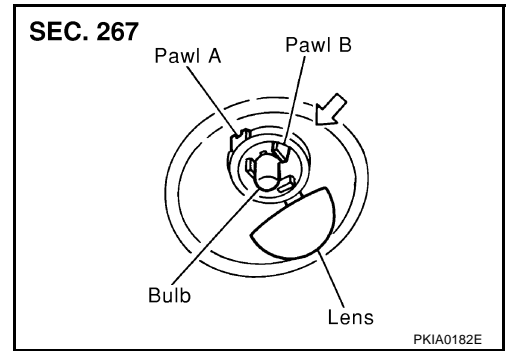
PFP:26470

Bulb Replacement, Removal and Installation of Trunk Room Lamp

AKS0092V

1. Unfold pawl A and remove lens.
2. Remove trunk room lamp while pressing pawl B in the direction of the arrow.
3. Disconnect trunk room lamp connector.

Trunk room lamp : 12V - 3.4W



PERSONAL LAMP

PERSONAL LAMP

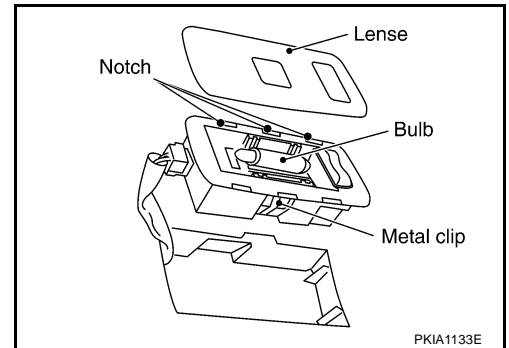
PFP:26415

Bulb Replacement

AKS000MY

1. Remove personal lamp. Refer to [LT-161, "Removal and Installation"](#).
2. Insert a screwdriver or similar tool and remove lens.
3. Remove bulb.

Personal lamp : 12V - 8W



AKS000MZ

Removal and Installation

REMOVAL

1. Use a clip driver or similar tool to press metal clip and remove personal lamp.
2. Disconnect personal lamp connector.

INSTALLATION

Install in the reverse order of removal.

A
B
C
D
E
F
G
H
I
J
LT
L
M

IGNITION KEY HOLE ILLUMINATION

IGNITION KEY HOLE ILLUMINATION

PFP:48476

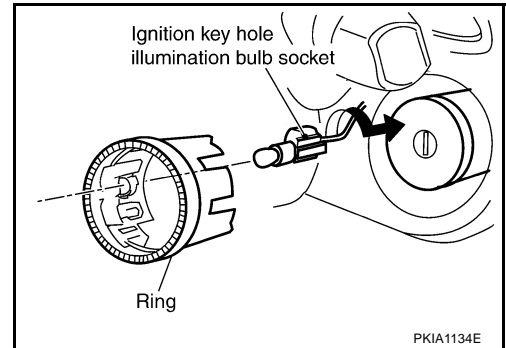
Removal and Installation

AKS000JY

REMOVAL

1. Remove cluster lid A and steering lock escutcheon. Refer to [IP-10. "INSTRUMENT PANEL ASSEMBLY"](#) in "IP" section.
2. Pull out ring and turn bulb socket to left to release lock.

Key cylinder illumination : 12V - 1.4W



INSTALLATION

Install in the reverse order of removal.

GLOVE BOX LAMP

GLOVE BOX LAMP

PFP:68520

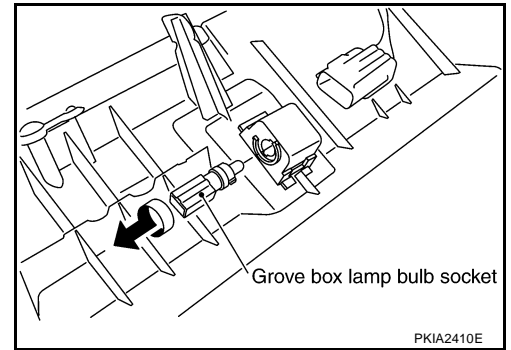
Removal and Installation

AKS000JZ

REMOVAL

1. Remove instrument lower passenger panel. Refer to [IP-10](#), "[INSTRUMENT PANEL ASSEMBLY](#)" in "IP" section.
2. Turn bulb socket left to release lock and remove it.

Glove box lamp : 12V - 1.4W



INSTALLATION

Install in the reverse order of removal.

A
B
C
D
E
F
G
H
I
J
LT
L
M

ASHTRAY ILLUMINATION

ASHTRAY ILLUMINATION

PFP:25860

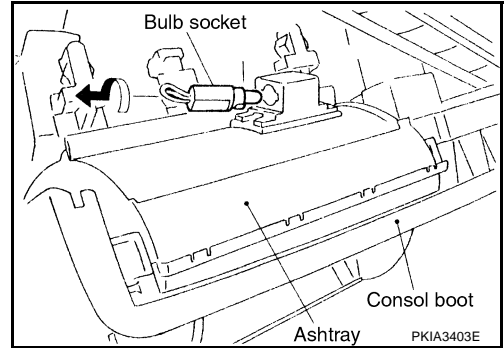
Bulb Replacement, Removal and Installation (M/T)

AKS00AB5

1. Remove console boot. Refer to [IP-10, "INSTRUMENT PANEL ASSEMBLY"](#) in "IP" section.
2. Turn bulb socket counterclockwise to undo lock and remove bulb socket.

Ashtray illumination : 12V - 1.4W

3. Install in the reverse order of removal.



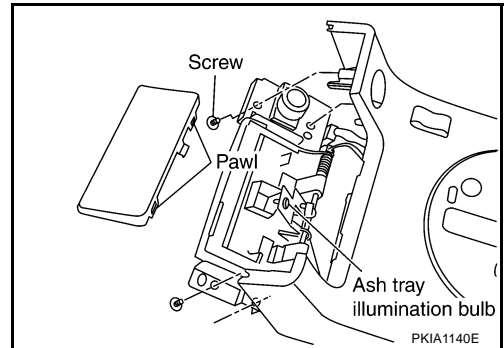
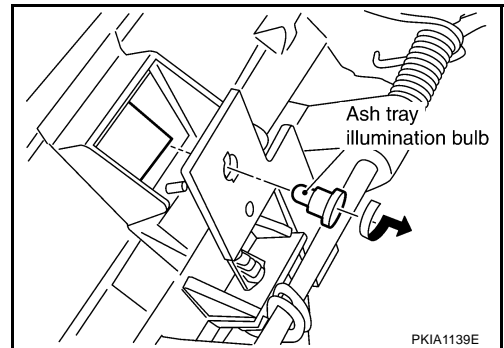
Bulb Replacement, Removal and Installation (A/T)

AKS00AB6

1. Remove console finisher (A/T). Refer to [IP-10, "INSTRUMENT PANEL ASSEMBLY"](#) in "IP" section.
2. Remove instrument panel ashtray. Refer to [IP-10, "INSTRUMENT PANEL ASSEMBLY"](#) in "IP" section.
3. Use a screwdriver to undo ashtray finisher hooks.
4. Turn bulb socket on circuit board to left to undo lock. Remove bulb socket.

Ashtray illumination : 12V - 1.4W

5. Install in the reverse order of removal.



CIGARETTE LIGHTER ILLUMINATION

CIGARETTE LIGHTER ILLUMINATION

PPF:25331

Removal and Installation

AKS000K1

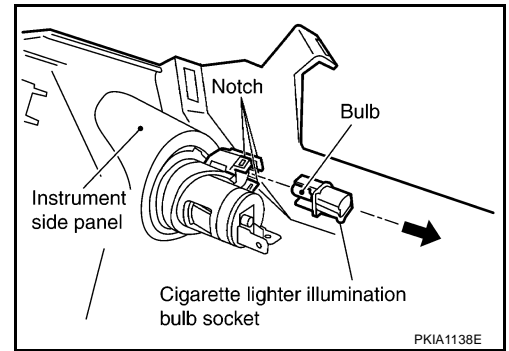
1. Remove instrument side panel. Refer to [IP-10, "INSTRUMENT PANEL ASSEMBLY"](#) in "IP" section.
2. Open hooks and remove bulb socket.

Cigarette lighter illumination : 12V - 1.4W

CAUTION:

When replacing bulb, replace assembly together with illumination ring.

3. Install in the reverse order of removal.



A

B

C

D

E

F

G

H

I

J

LT

L

M

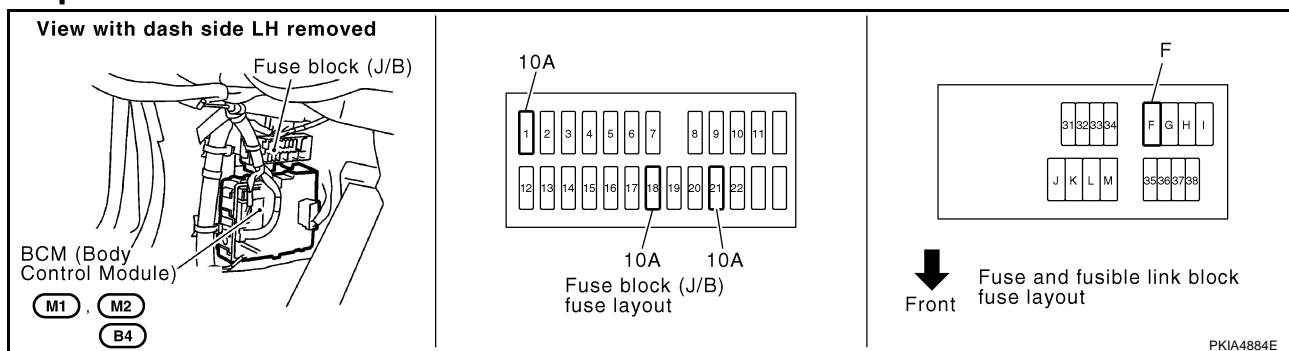
INTERIOR ROOM LAMP

INTERIOR ROOM LAMP

PFP:26410

Component Parts and Harness Connector Location

AKS005PZ



System Description

AKS009KY

When map lamp switch is in DOOR position, map lamp ON/OFF is controlled by timer according to signals from switches including key switch, front door switch driver side, unlock signal from keyfob, door lock and unlock switch, key cylinder lock and unlock switch, ignition switch.

When map lamp turns ON, there is a gradual brightening over 1 second. When map lamp turns OFF, there is a gradual dimming over 1 second.

The map lamp timer is controlled by the BCM (body control module).

Map lamp timer control settings can be changed with CONSULT-II.

Ignition keyhole illumination turns ON at time when driver door is opened (door switch ON) or removed keyfob from key cylinder. Illumination turns OFF when driver door is closed (door switch OFF).

Step lamp turns ON at time when driver door, passenger door, RH rear door, or LH rear door is opened (door switch ON). Lamp turns OFF when driver, passenger doors are closed (all door switches OFF).

POWER SUPPLY AND GROUND

Power is supplied at all times

- through 10A fuse [No. 21, located in fuse block (J/B)]
- to key switch terminal 2
- through 10A fuse [No. 18, located in fuse block (J/B)]
- to BCM (body control module) terminal 42
- through 50A fusible link [letter F, located in fuse and fusible link block]
- to BCM (body control module) terminal 55.

When the key plate inserted to key switch, power is supplied

- through the key switch terminal 1
- to BCM (body control module) terminal 37.

With the ignition switch in the ON or START position, power is supplied

- through 10A fuse [No. 1, located in fuse block (J/B)]
- to BCM (body control module) terminal 38.

Ground is supplied

- to BCM (body control module) terminal 52
- through grounds terminals M30 and M66.

When the driver side door is opened, ground is supplied

- through case ground of door switch driver side
- to BCM (body control module) terminal 62 and
- to combination meter terminal 7*1

When the passenger side door is opened, ground is supplied

- through case ground of door switch passenger side
- to BCM (body control module) terminal 12 and
- to combination meter terminal 6*1

When the rear door LH is opened, ground is supplied

INTERIOR ROOM LAMP

- through case ground of door switch rear door LH
- to BCM (body control module) terminal 63 and
- to combination meter terminal 9*¹ and
- to personal lamp LH terminal 1.

When the rear door RH is opened, ground is supplied

- through case ground of door switch rear door RH
- to BCM (body control module) terminal 13, and
- to combination meter terminal 8*¹ and
- to personal lamp RH terminal 1.

NOTE:

*1: With navigation system.

When the driver side door is unlocked by the door lock and unlock switch, BCM (body control module) receives a ground signal (With anti pinch system for all door window)

- through grounds terminals M30 and M66
- to power window main switch (door lock and unlock switch) terminal 15 and power window sub switch (passenger side) (door lock and unlock switch) terminal 7
- from power window main switch (door lock and unlock switch) terminal 9 and power window sub switch (passenger side) (door lock and unlock switch) terminal 11
- to BCM (body control module) terminal 22.

When the driver side door is unlocked by the door lock and unlock switch, BCM (body control module) receives a ground signal (Except anti pinch system for all door window)

- through grounds terminals M30 and M66
- to power window main switch (door lock and unlock switch) terminal 5 and power window sub switch (passenger side) (door lock and unlock switch) terminal 7
- from power window main switch (door lock and unlock switch) terminal 8 and power window sub switch (passenger side) (door lock and unlock switch) terminal 11
- to BCM (body control module) terminal 22.

When the front driver side door is unlocked by the driver side door lock assembly (door key cylinder switch), BCM (body control module) receives a ground signal (With anti pinch system for all door window)

- through grounds M30 and M66
- to front door key cylinder switch (driver side) terminal 2
- from front door key cylinder switch (driver side) terminal 3
- to power window main switch (door lock and unlock switch) terminal 5
- from power window main switch (door lock and unlock switch) terminal 9
- to BCM (body control module) terminal 22.

When the front driver side door is unlocked by the driver side door lock assembly (door key cylinder switch), BCM (body control module) receives a ground signal (Except anti pinch system for all door window)

- through grounds M30 and M66
- to front door key cylinder switch (driver side) terminal 2
- from front door key cylinder switch (driver side) terminal 3
- to power window main switch (door lock and unlock switch) terminal 19
- from power window main switch (door lock and unlock switch) terminal 8
- to BCM (body control module) terminal 22.

When a signal, or combination of signals is received by BCM (body control module), ground is supplied

- through BCM (body control module) terminal 48
- to map lamp terminal 2.

With power and supplied, the interior lamp illuminates.

SWITCH OPERATION

When driver door switch is ON (door is opened), ground is supplied

- through BCM terminal 1

A
B
C
D
E
F
G
H
I
J
LT
L
M

INTERIOR ROOM LAMP

- to ignition keyhole illumination terminal 2.

And power is supplied

- from BCM terminal 41
- to ignition keyhole illumination terminal 1.

When any door switch is ON (door is opened), ground is supplied

- through BCM terminal 47
- to front step lamp driver side and passenger side terminal 2.

And power is supplied

- from BCM terminal 41
- to every step lamp driver side and passenger side terminal 1.

When map lamp switch is ON, ground is supplied

- through grounds M30 and M66
- to map lamp terminal 1.

And power is supplied

- from BCM terminal 41
- to map lamp terminal 3.

When any door switch is ON (door is opened), ground is supplied

- through personal lamp LH and RH terminal 1
- to rear door switch terminal 1.

And power is supplied

- from BCM terminal 41
- to personal lamp LH and RH terminal 2.

When vanity mirror lamp (driver side and passenger side) is ON, ground is supplied

- through grounds M30 and M66
- to vanity mirror lamp (driver side and passenger side) terminal 2.

And power is supplied

- from BCM terminal 41
- to vanity mirror lamp (driver side and passenger side) terminal 1.

When trunk room lamp SW is OPEN, ground is supplied

- through grounds B5 and B29
- to trunk room lamp SW terminal 2.

When trunk room lamp is ON, ground is supplied

- through BCM terminal 64
- to trunk room lamp terminal 2.

And power is supplied

- from BCM terminal 1
- to trunk room lamp terminal 1.

ROOM LAMP TIMER OPERATION

When map lamp switch is in DOOR position, and when all conditions below are met, BCM performs timer control (maximum 30 seconds) for map lamp ON/OFF.

In addition, when spot turns ON or OFF there is gradual brightening or dimming over 1 second.

Power is supplied

- to 10A fuse [No. 21, located in fuse block (J/B)]
- through key switch terminal 2.

Key is removed from ignition key cylinder (key switch OFF), power will not be supplied to BCM terminal 37.

Ground is supplied

- from BCM terminal 22
- to power window main switch (door lock and unlock switch) terminal 9*1 or
- to power window main switch (door lock and unlock switch) terminal 8*2 .

INTERIOR ROOM LAMP

At the time that driver door is opened, BCM detects that driver door is unlocked. It determines that map lamp timer operation condition is met, and turns the map lamp ON for 30 seconds.

Key is in ignition key cylinder (key switch ON),

Power is supplied

- through key switch terminal 1
- to BCM terminal 37.

When key is removed from key switch (key switch OFF), power supply to BCM terminal 37 is terminated. BCM detects that key has been removed, determines that map lamp timer conditions are met, and turns the map lamp ON for 30 seconds.

When driver door opens → closes, and the key is not inserted in the key switch (key switch OFF), BCM terminal 62 changes between 0V (door open) → 12V (door closed). The BCM determines that conditions for map lamp operation is met, and turns the map lamp ON for 30 seconds.

Timer control is canceled under the following conditions.

- Driver door is locked [when locked power window main switch (door lock and unlock switch) or door key cylinder switch]
- Driver door is opened (driver door switch turns ON)
- Ignition switch ON.

NOTE:

*1: With anti pinch system for all door window

*2: Except anti pinch system for all door window

INTERIOR LAMP BATTERY SAVER CONTROL

If interior lamp is left "ON", it will not be turned out even when door is closed.

BCM turns off interior lamp automatically to save battery 30 minutes after ignition switch is turned off.

BCM controls interior lamps listed below:

- Trunk room lamp
- Vanity mirror lamp
- Map lamp
- Personal lamp

After lamps turn OFF by the battery saver system, the lamps illuminate again when

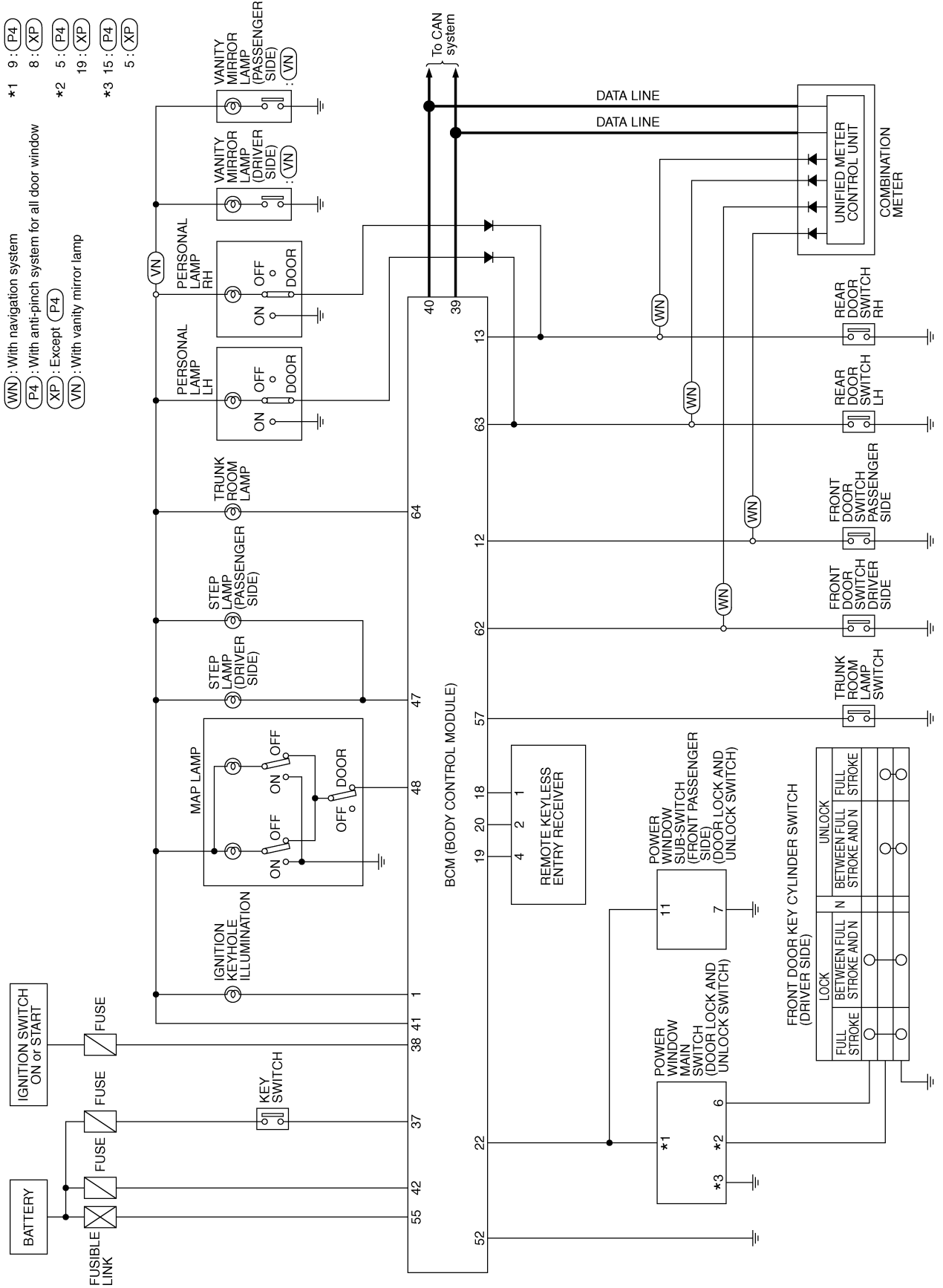
- signal from power window main switch (door lock and unlock switch) or key cylinder is locked or unlocked,
- door is opened or closed,
- key is removed from ignition key cylinder or inserted in ignition key cylinder.

Interior lamp battery saver control period can be changed by the function setting of CONSULT-II.

INTERIOR ROOM LAMP

Schematic

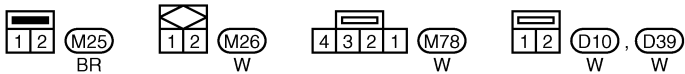
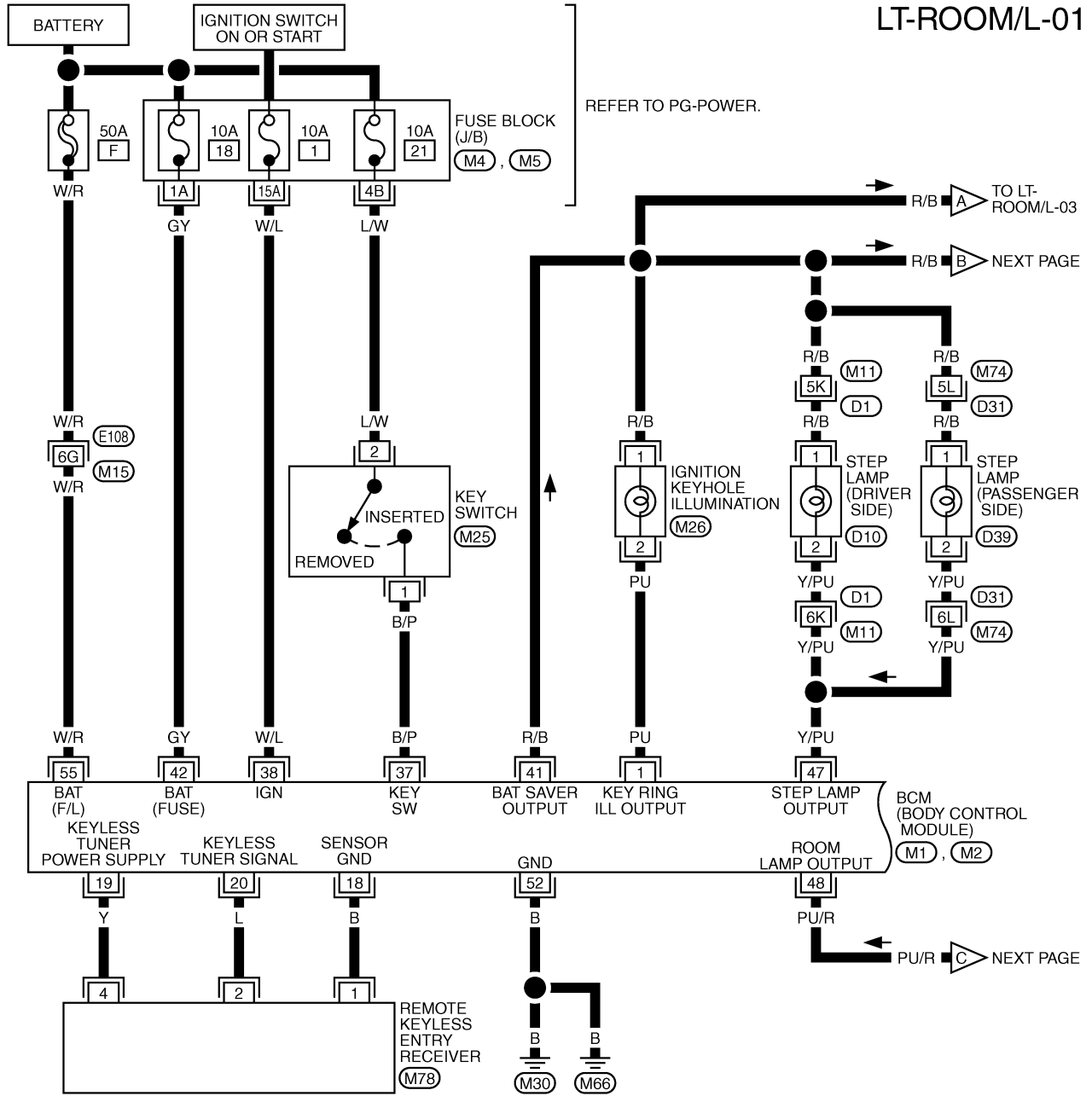
AKS005Q0



TKWT1507E

INTERIOR ROOM LAMP

LT-ROOM/L-01



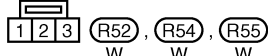
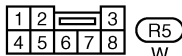
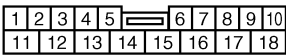
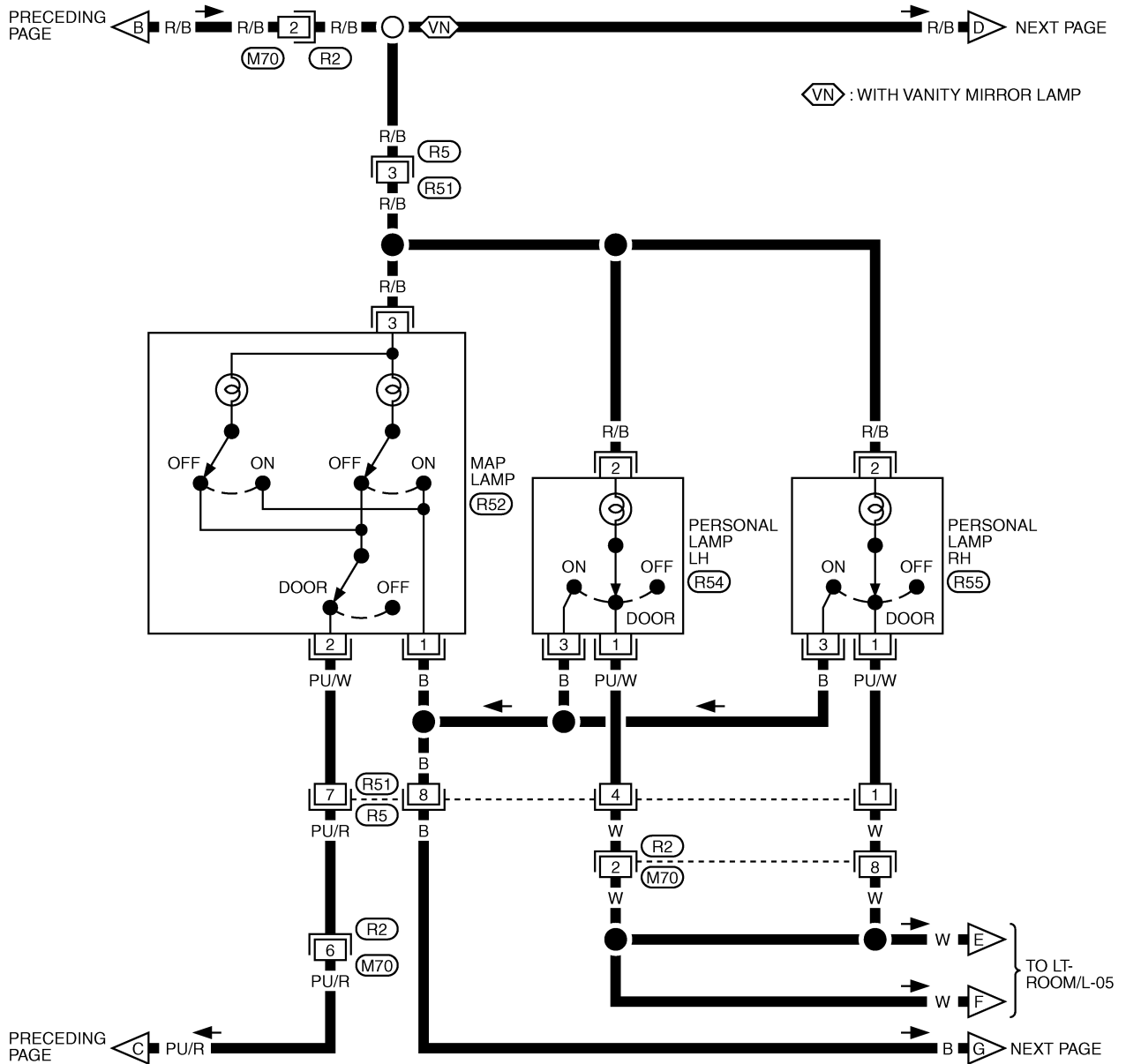
REFER TO THE FOLLOWING.
 (E108), (D1), (D31) -SUPER
 MULTIPLE JUNCTION (SMJ)
 (M4), (M5) -FUSE BLOCK-
 JUNCTION BOX (J/B)
 (M1), (M2) -ELECTRICAL
 UNITS

INTERIOR ROOM LAMP

Wiring Diagram — ROOM/L —

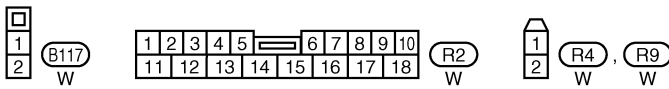
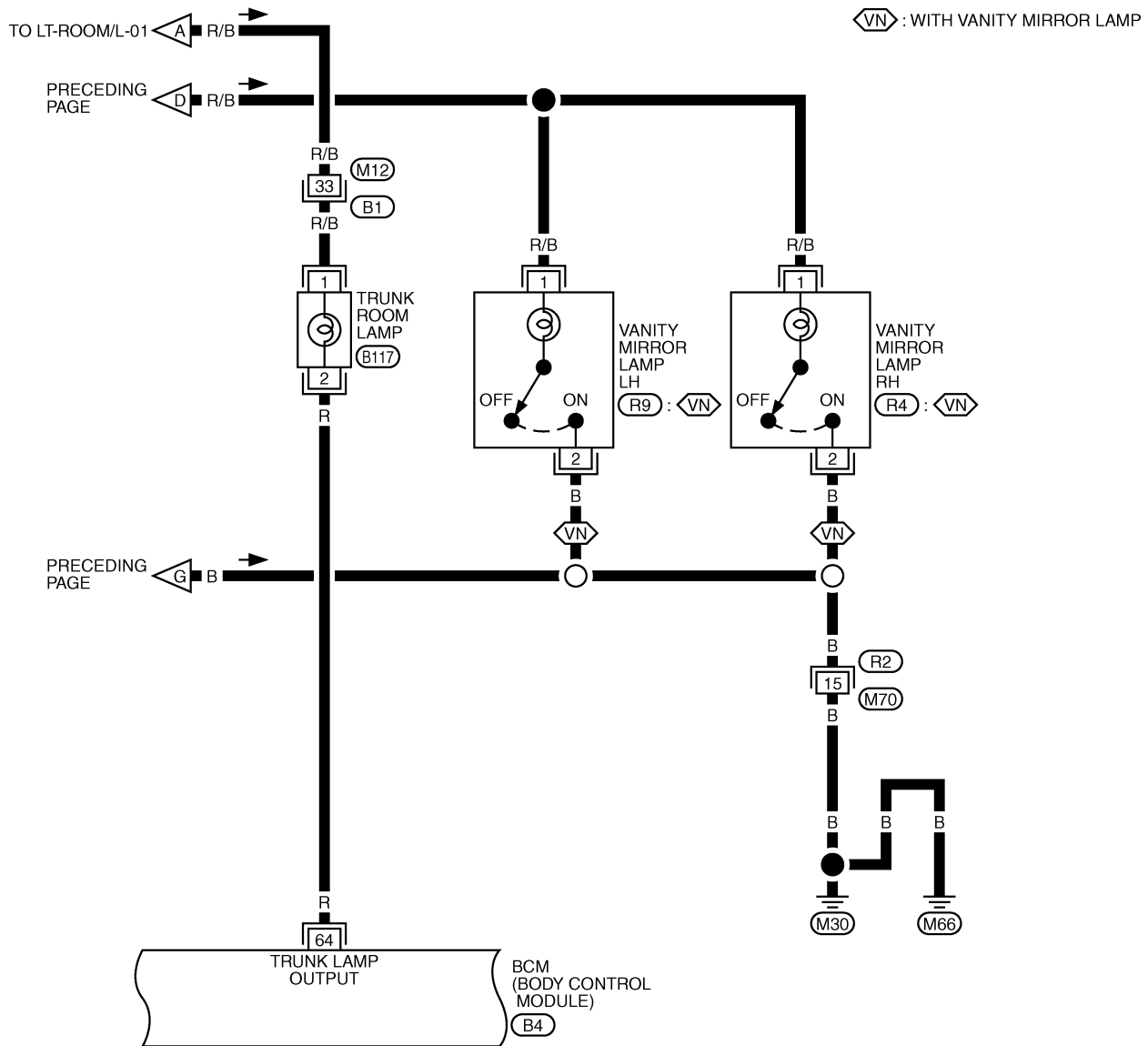
AKS005Q1

LT-ROOM/L-02



INTERIOR ROOM LAMP

LT-ROOM/L-03



REFER TO THE FOLLOWING.

(B1) -SUPER MULTIPLE JUNCTION (SMJ)

(B4) -ELECTRICAL UNITS

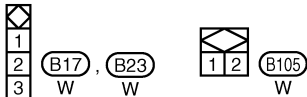
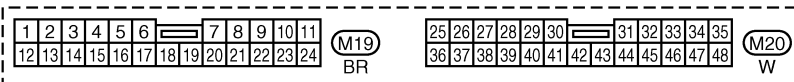
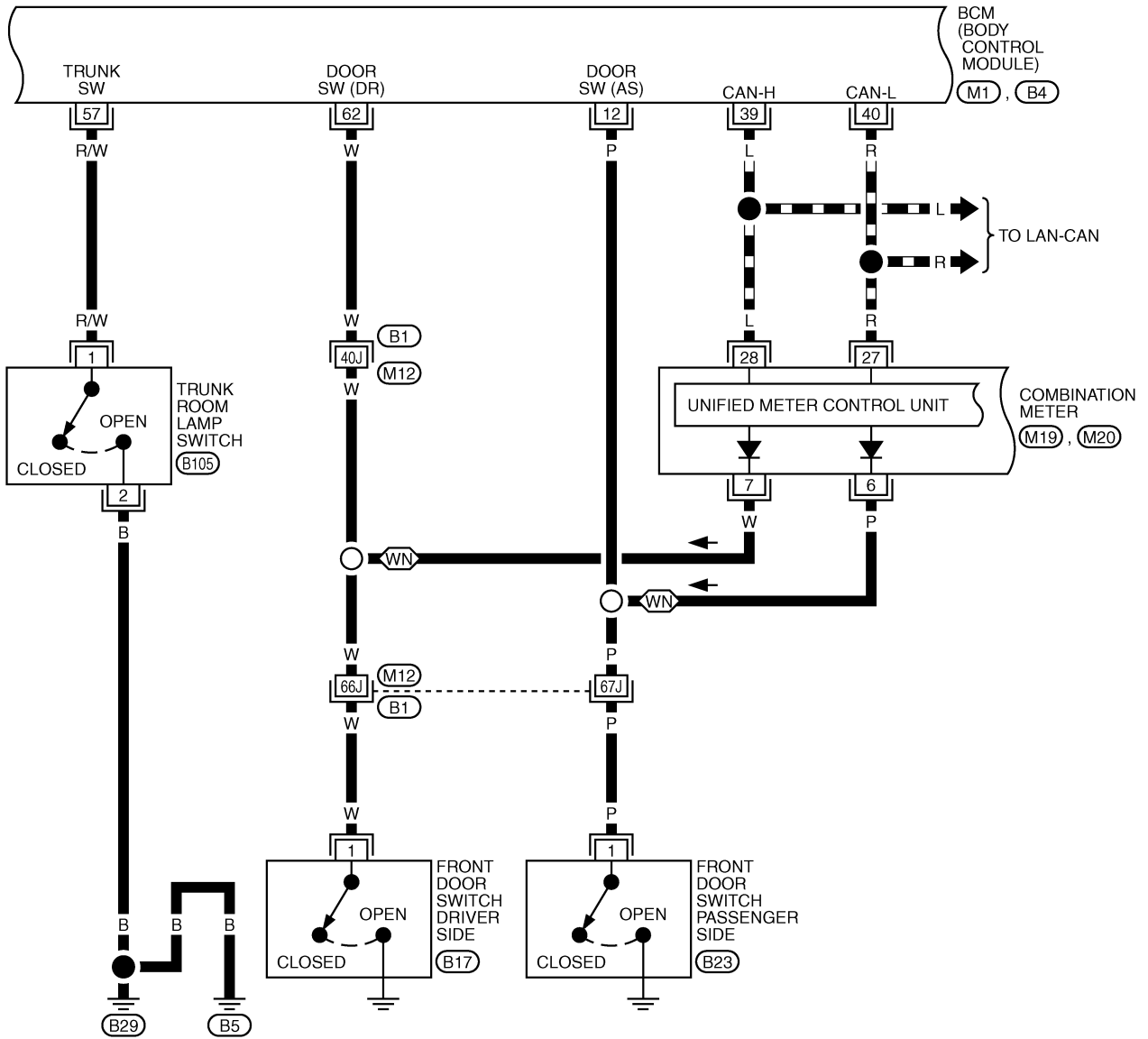
TKWT1510E

INTERIOR ROOM LAMP

LT-ROOM/L-04

▬ : DATA LINE

◁WN▷ : WITH NAVIGATION SYSTEM



REFER TO THE FOLLOWING.

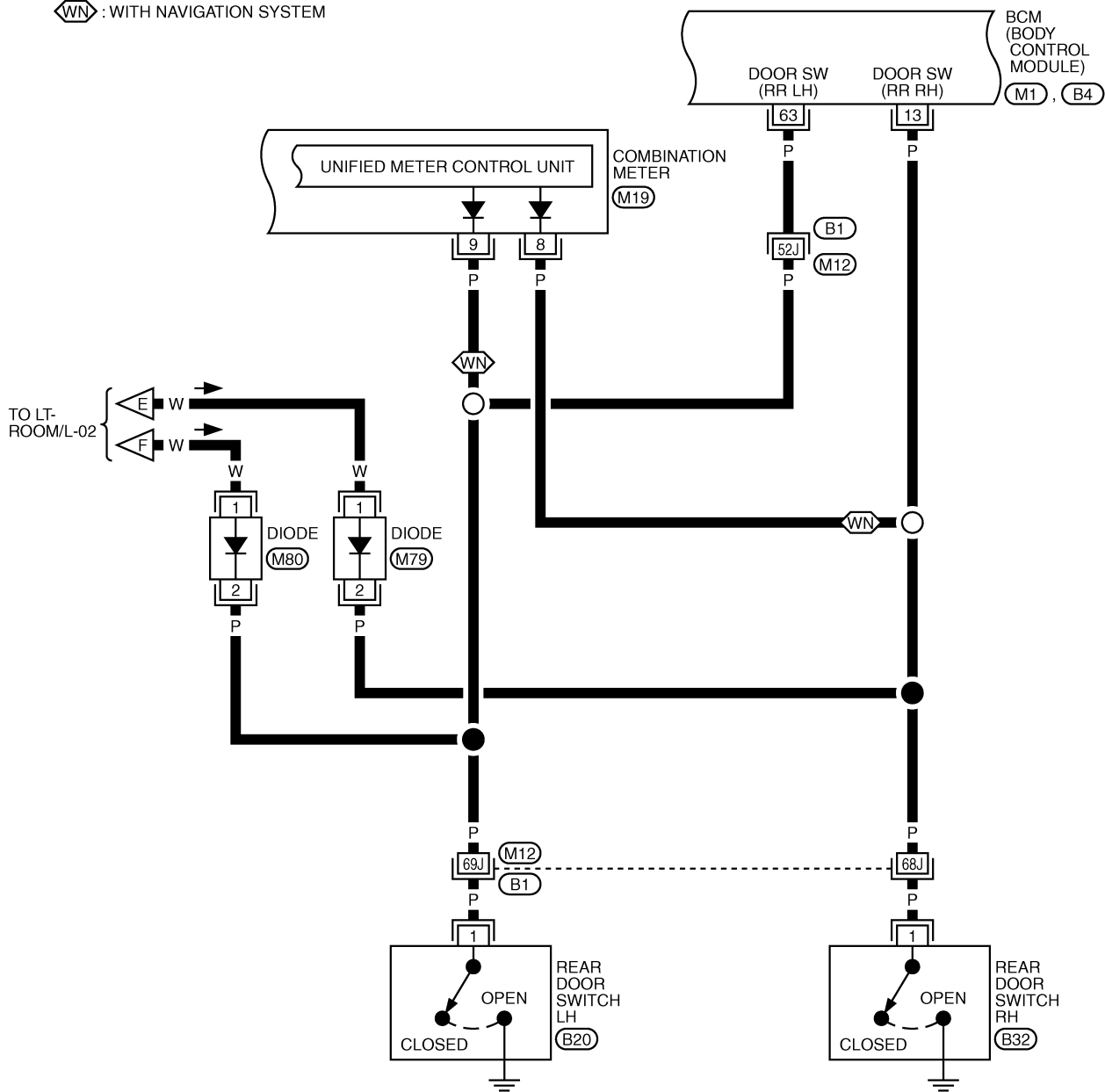
(B1) -SUPER MULTIPLE JUNCTION (SMJ)

(M1), (B4) -ELECTRICAL UNITS

INTERIOR ROOM LAMP

LT-ROOM/L-05

WN : WITH NAVIGATION SYSTEM



1	2	3	4	5	6	7	8	9	10	11		
12	13	14	15	16	17	18	19	20	21	22	23	24

(M19)
BR



REFER TO THE FOLLOWING.

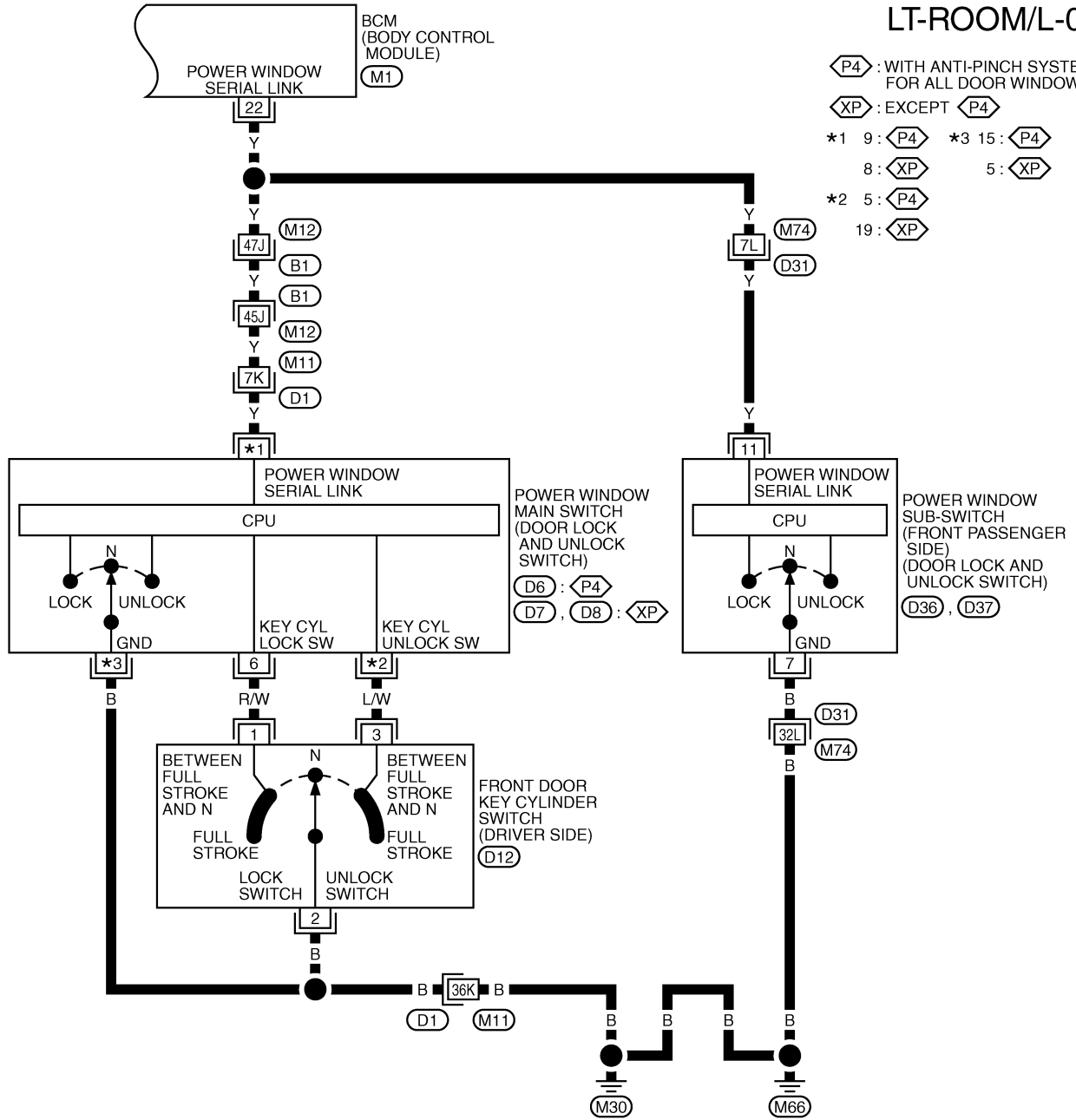
(B1) -SUPER MULTIPLE JUNCTION (SMJ)

(M1) , (B4) -ELECTRICAL UNITS

A
B
C
D
E
F
G
H
I
J
LT
L
M

INTERIOR ROOM LAMP

LT-ROOM/L-06



◻P4 : WITH ANTI-PINCH SYSTEM FOR ALL DOOR WINDOW

◻XP : EXCEPT ◻P4

*1 9: ◻P4 *3 15: ◻P4

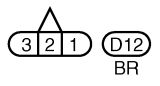
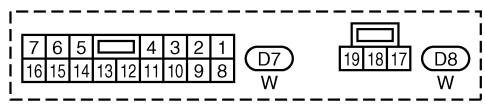
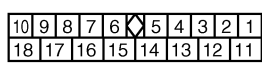
8: ◻XP 5: ◻XP

*2 5: ◻P4

19: ◻XP

POWER WINDOW MAIN SWITCH (DOOR LOCK AND UNLOCK SWITCH)
 ◻D6 : ◻P4
 ◻D7 , ◻D8 : ◻XP

POWER WINDOW SUB-SWITCH (FRONT PASSENGER SIDE) (DOOR LOCK AND UNLOCK SWITCH)
 ◻D36 , ◻D37



REFER TO THE FOLLOWING.

◻B1 , ◻D1 , ◻D31 -SUPER MULTIPLE JUNCTION (SMJ)

◻M1 -ELECTRICAL UNITS

INTERIOR ROOM LAMP

Terminals and Reference Values for BCM

AKS009KZ

Terminal No.	Wire color	Signal name	Measuring condition			Reference value	
			Ignition switch	Operation or condition			
1	PU	Ignition keyhole illumination signal	OFF	Door is locked. (SW OFF)		Battery voltage	
				Door is unlocked. (SW ON)		Approx. 0V	
12	P	Front door switch AS signal	OFF	Front door switch AS	ON (open)	Approx. 0V	
					OFF (closed)	Battery voltage	
13	P	Rear door switch RH signal	OFF	Rear door switch RH	ON (open)	Approx. 0V	
					OFF (closed)	Battery voltage	
22	Y	Power window switch serial link	—	—		 <p style="text-align: right; font-size: small;">PIIA2344J</p>	
37	B/P	Key-in detection switch signal	OFF	Vehicle key is removed.		Approx. 0V	
				Vehicle key is inserted.		Battery voltage	
38	W/L	Ignition power supply	ON	—		Battery voltage	
39	L	CAN-H	—	—		—	
40	R	CAN-L	—	—		—	
41	R/B	Battery saver output signal	OFF	30 minutes after ignition switch is turned to OFF		Approx. 0V	
			ON	—		Battery voltage	
42	GY	Battery power supply	OFF	—		Battery voltage	
47	Y/PU	Step lamp signal	OFF	Any door is open (ON)		Approx. 0V	
				All doors are closed (OFF)		Battery voltage	
48	PU/R	Interior room lamp, map lamp and front door inside handle illumination output signal	OFF	Interior door switch: DOOR position	Any door switch	ON (open)	Approx. 0V
						OFF (closed)	Battery voltage
52	B	Ground	ON	—		Approx. 0V	
55	W/R	Battery power supply	OFF	—		Battery voltage	
57	R/W	Trunk room lamp switch signal	OFF	Trunk room lamp switch	ON (open)	Approx. 0V	
					OFF (closed)	Battery voltage	
62	W	Front door switch DR signal	OFF	Front door switch DR	ON (open)	Approx. 0V	
					OFF (closed)	Battery voltage	
63	P	Rear door switch LH signal	OFF	Rear door switch LH	ON (open)	Approx. 0V	
					OFF (closed)	Battery voltage	
64	R	Trunk room lamp signal	OFF	Trunk room lamp	ON (open)	Approx. 0V	
					OFF (closed)	Battery voltage	

INTERIOR ROOM LAMP

AKS009L0

How to Proceed With Trouble Diagnosis

1. Confirm the symptom or customer complaint.
2. Understand operation description and function description. Refer to [LT-166, "System Description"](#) .
3. Perform the preliminary check. Refer to [LT-178, "Preliminary Check"](#) .
4. Check symptom and repair or replace the cause of malfunction.
5. Does the interior room lamp operate normally? If YES: GO TO 6. If NO: GO TO 4.
6. INSPECTION END

Preliminary Check

AKS009L1

CHECK POWER SUPPLY AND GROUND CIRCUIT

1. CHECK FUSES

- Check for blown BCM fuses.

Unit	Power source	Fuse and fusible link No.
BCM	Battery	F
		18
		21
	Ignition switch ON or START position	1

Refer to [LT-172, "Wiring Diagram — ROOM/L —"](#) .

OK or NG

OK >> GO TO 2.

NG >> If fuse is blown, be sure to eliminate cause of malfunction before installing new fuse. Refer to [PG-3, "POWER SUPPLY ROUTING CIRCUIT"](#) .

2. CHECK POWER SUPPLY CIRCUIT

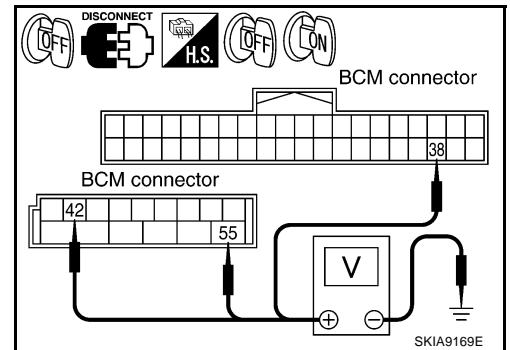
1. Turn ignition switch OFF.
2. Disconnect BCM connector.
3. Check voltage between BCM connector and ground.

Terminals		(-)	Ignition switch position	
(+)	Connector		Terminal (Wire color)	OFF
M2	42 (GY)	Ground	Battery voltage	Battery voltage
	55 (W/R)		Battery voltage	Battery voltage
M1	38 (W/L)		0V	Battery voltage

OK or NG

OK >> GO TO 3.

NG >> Check harness for open or short between BCM and fuse.



INTERIOR ROOM LAMP

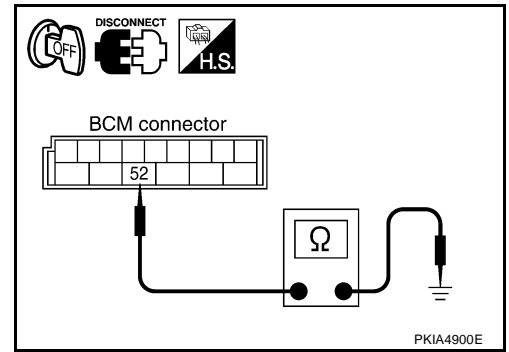
3. CHECK GROUND CIRCUIT

Check continuity between BCM and ground.

Terminals		Ground	Continuity
Connector	Terminal (Wire color)		
M2	52 (B)		Yes

OK or NG

- OK >> INSPECTION END
- NG >> Check harness ground circuit.



AKS009L2

CONSULT-II Functions

CONSULT-II performs the following functions communicating with BCM.

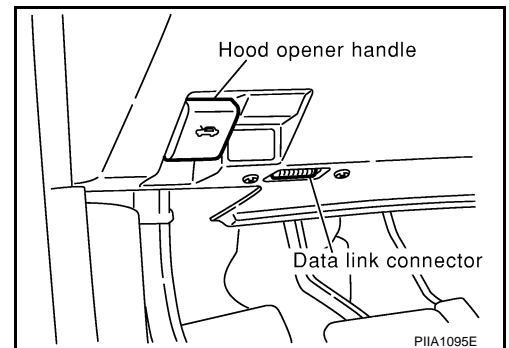
BCM diagnosis part	Check item, diagnosis mode	Description
INTERIOR LAMP	WORK SUPPORT	Changes the setting for each function.
	DATA MONITOR	Displays BCM input data in real time.
	ACTIVE TEST	Operation of electrical loads can be checked by sending driving signal to them.

CONSULT-II BASIC OPERATION

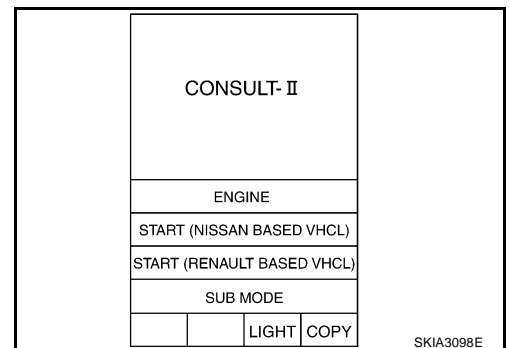
CAUTION:

If CONSULT-II is used with no connection of CONSULT-II CONVERTER, malfunctions might be detected in self-diagnosis depending on control unit which carry out CAN communication.

1. With the ignition switch OFF, connect CONSULT-II and CONSULT-II CONVERTER to the data link connector, then turn ignition switch ON.

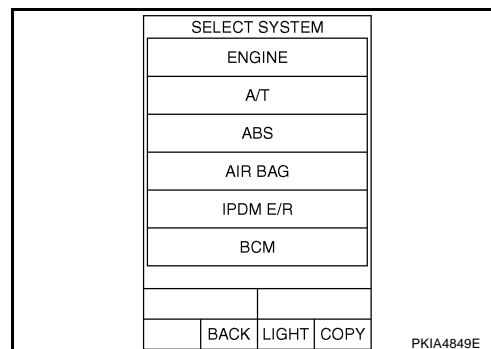


2. Touch "START (NISSAN BASED VHCL)".

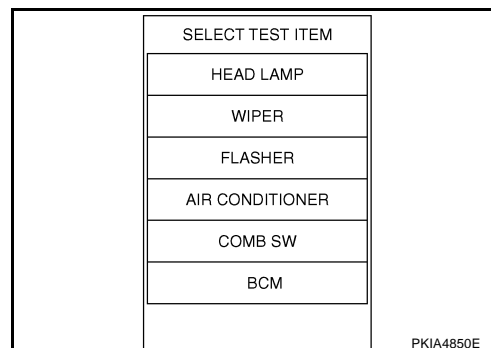


INTERIOR ROOM LAMP

- Touch "BCM" on "SELECT SYSTEM" screen.
If "BCM" is not indicated, refer to [GI-38, "CONSULT-II Data Link Connector \(DLC\) Circuit"](#).



- Touch "INT LAMP" on "SELECT TEST ITEM" screen.



WORK SUPPORT

Operation Procedure

- Touch "INT LAMP" on "SELECT TEST ITEM" screen.
- Touch "WORK SUPPORT" on "SELECT DIAG MODE" screen.
- Touch "SET I/L D- UNLCK INTCON" on "SELECT WORK ITEM" screen.
- Touch "START".
- Touch "CHANGE SETT".
- The setting will be changed and "CUSTOMIZING COMPLETED" will be displayed.
- Touch "END".

Display Item List

Item	Description	CONSULT-II
SET I/L D-UNLCK INTCON	The 30 seconds glowing function the interior room lamps and the ignition keyhole illumination can be selected when driver door is released (unlocked).	ON/OFF
TURN ON TIME	The time in order to escalate illumination can be adjusted when the interior room lamps and the ignition keyhole illumination is turned on.	MODE 1 - 7
TURN OFF TIME	The time in order to diminish illumination can be adjusted when the interior room lamps and the ignition keyhole illumination is turned off.	MODE 1 - 7

Reference between "MODE" and "TIME" for "TURN ON/OFF"

MODE	1	2	3	4	5	6	7
Time (sec.)	0.5	1	2	3	4	5	0

DATA MONITOR

Operation Procedure

- Touch "INT LAMP" on "SELECT TEST ITEM" screen.
- Touch "DATA MONITOR" on "SELECT DIAG MODE" screen.
- Touch either "ALL SIGNALS" or "SELECTION FROM MENU" on "DATA MONITOR" screen.

ALL SIGNALS	Monitors all the signals.
SELECTION FROM MENU	Selects and monitors the individual signal.

INTERIOR ROOM LAMP

4. Touch "START".
5. When "SELECTION FROM MENU" is selected, touch items to be monitored. When "ALL SIGNALS" is selected, all the items will be monitored.
6. Touch "RECORD" while monitoring, then the status of the monitored item can be recorded. To stop recording, touch "STOP".

Display Item List

Monitor item	Contents
IGN ON SW "ON/OFF"	Displays "IGN position (ON)/OFF, ACC position (OFF)" judged from the ignition switch signal.
KEY ON SW "ON/OFF"	Displays "Key inserted (ON)/key removed (OFF)" status judged from the key switch signal.
DOOR SW - DR "ON/OFF"	Displays status of the driver door as judged from the driver door switch signal. (Door is open: ON/Door is closed: OFF)
DOOR SW - AS "ON/OFF"	Displays "Door open (ON)/Door closed (OFF)" status, determined from passenger door switch signal.
DOOR SW - RR "ON/OFF"	Displays "Door open (ON)/Door closed (OFF)" status, determined from rear door switch RH signal.
DOOR SW - RL "ON/OFF"	Displays "Door open (ON)/Door closed (OFF)" status, determined from rear door switch LH signal.
BACK DOOR SW ^{Note 1} "OFF"	—
KEY CYL LK - SW "ON/OFF"	Displays "Door locked (ON) status, determined from key cylinder lock switch in driver door.
KEY CYL UN - SW "ON/OFF"	Displays "Door unlocked (OFF) status, determined from key cylinder lock switch in driver door.
CDL LOCK SW "ON/OFF"	Displays "Door locked (ON)/Door unlocked (OFF) status, determined from locking detection switch in driver door.
CDL UNLOCK SW "ON/OFF"	Displays "Door unlocked (OFF)" status, determined from locking detection switch in passenger door.
KEYLESS LOCK "ON/OFF"	Displays "Locked (ON)/Other (OFF)" status, determined from lock signal.
KEYLESS UNLOCK "ON/OFF"	Displays "Unlocked (ON)/Other (OFF)" status, determined from unlock signal.

NOTE:

This item is displayed, but cannot monitor it.

ACTIVE TEST

Operation Procedure

1. Touch "INT LAMP" on "SELECT TEST ITEM" screen.
2. Touch "ACTIVE TEST" on "SELECT DIAG MODE" screen.
3. Touch item to be tested and check operation of the selected item.
4. During the operation check, touching "BACK" deactivates the operation.

Display Item List

Test item	Description
INT LAMP	Interior room lamp can be operated by any ON-OFF operations.
IGN ILLUM	Ignition key hole illumination can be operated by ON- OFF operation.

INTERIOR ROOM LAMP

AKS009L3

Map Lamp Control Does Not Operate

1. CHECK EACH SWITCH

Select "BCM" on CONSULT-II. With "INT LAMP" data monitor to make sure switches listed in display item list turn ON-OFF linked with switch operation. Refer to [LT-181, "Display Item List"](#) for switches and their functions.

OK or NG

- OK >> GO TO 2.
- NG >> Inspect malfunctioning switch system.

DATA MONITOR			
MONITOR	NO DTC		
IGN ON SW	ON		
KEY ON SW	ON		
DOOR SW-DR	ON		
DOOR SW-AS	OFF		
DOOR SW-RR	OFF		
DOOR SW-RL	OFF		
BACK DOOR SW	OFF		
KEY CYL LK-SW	OFF		
KEY CYL UN-SW	OFF		
Page Down			
RECORD			
MODE	BACK	LIGHT	COPY

PKIA6365E

2. ACTIVE TEST

- Select "BCM" on CONSULT-II. Select "INT LAMP" active test.
- When map lamp switch is in "DOOR" position, use active test to make sure map lamp operates.

Map lamp should operate.

OK or NG

- OK >> Replace BCM. Refer to [BCS-15, "Removal and Installation of BCM"](#).
- NG >> GO TO 3.

ACTIVE TEST			
INT LAMP	ON		
OFF			
MODE	BACK	LIGHT	COPY

PKIA6881E

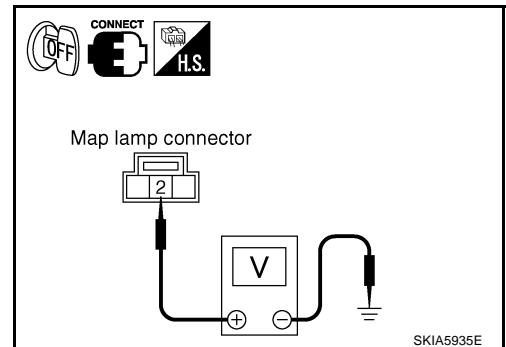
3. CHECK MAP LAMP INPUT

- Turn ignition switch OFF.
- Check voltage between map lamp harness connector R52 terminal 2 (PU/W) and ground.

2 (PU/W) - Ground : Battery voltage should exist.

OK or NG

- OK >> GO TO 6.
- NG >> GO TO 4.



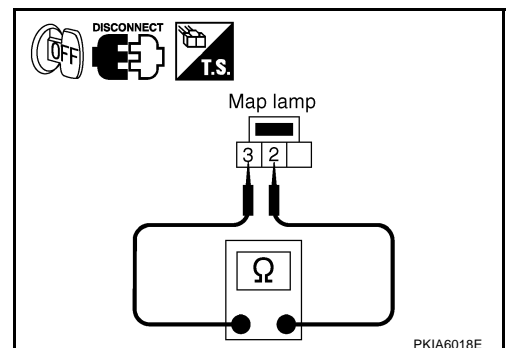
4. CHECK MAP LAMP

- Disconnect map lamp connector.
- Check continuity between map lamp.

Terminal		Condition	Continuity
Map lamp			
2	3	Map lamp switch is DOOR	Yes
		Map lamp switch is ON	No

OK or NG

- OK >> GO TO 5.
- NG >> Replace Map lamp.



INTERIOR ROOM LAMP

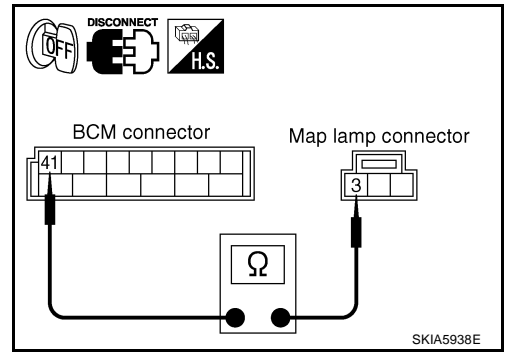
5. CHECK MAP LAMP CIRCUIT

1. Disconnect BCM connector and map lamp connector.
2. Check continuity between BCM harness connector M2 terminal 41 (R/B) and map lamp harness connector R52 terminal 3 (R/B).

41 (R/B) - 3 (R/B) : Continuity should exist.

OK or NG

- OK >> Replace BCM if map lamp does not work after setting the connector again. Refer to [BCS-15, "Removal and Installation of BCM"](#).
- NG >> Repair harness or connector.



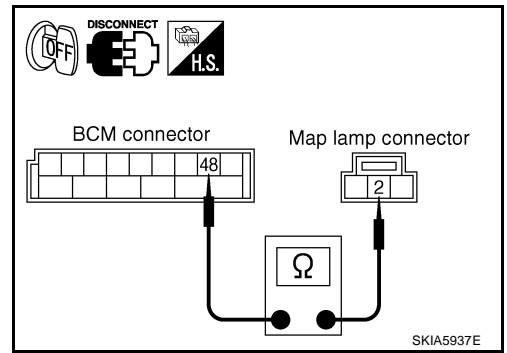
6. CHECK MAP LAMP CIRCUIT

1. Disconnect BCM connector.
2. Check continuity between BCM harness connector M2 terminal 48 (PU/R) and map lamp harness connector R52 terminal 2 (PU/W).

48 (PU/R) - 2 (PU/W) : Continuity should exist.

OK or NG

- OK >> Replace BCM if map lamp does not work after setting the connector again. Refer to [BCS-15, "Removal and Installation of BCM"](#).
- NG >> Repair harness or connector.



Ignition key Hole illumination Control Does Not Operate

AKS009L5

1. CHECK EACH SWITCH

Select "BCM" on CONSULT-II. With "INT LAMP" data monitor to make sure switches listed in display item list turn ON-OFF linked with switch operation. Refer to [LT-181, "Display Item List"](#) for switches and their functions.

OK or NG

- OK >> GO TO 2.
- NG >> Inspect malfunctioning switch system.

DATA MONITOR	
MONITOR	NO DTC
IGN ON SW	ON
KEY ON SW	ON
DOOR SW-DR	ON
DOOR SW-AS	OFF
DOOR SW-RR	OFF
DOOR SW-RL	OFF
BACK DOOR SW	OFF
KEY CYL LK-SW	OFF
KEY CYL UN-SW	OFF
Page Down	
RECORD	
MODE	BACK
LIGHT	COPY

PKIA6365E

2. ACTIVE TEST

1. Select "BCM" on CONSULT-II. Select "INT LAMP".
2. Select "IGN ILLUM" active test to make sure lamp operates.

Ignition key hole illumination should operate.

OK or NG

- OK >> Replace BCM.
- NG >> GO TO 3.

ACTIVE TEST	
IGN ILLUM	ON
OFF	
MODE	BACK
LIGHT	COPY

PKIA6375E

INTERIOR ROOM LAMP

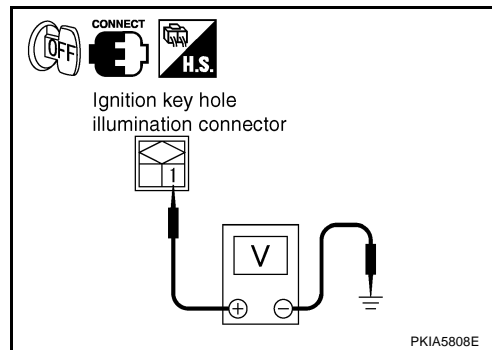
3. CHECK IGNITION KEY HOLE ILLUMINATION INPUT

1. Turn ignition switch OFF.
2. Open the driver side door.
3. Check voltage between ignition key hole illumination harness connector M26 terminal 1 (R/B) and ground.

1 (R/B) - Ground : Battery voltage should exist.

OK or NG

- OK >> GO TO 4.
NG >> GO TO 6.



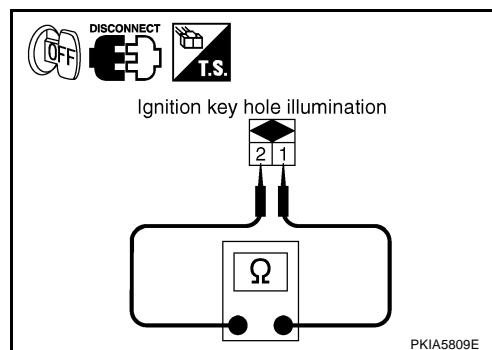
4. CHECK IGNITION KEY HOLE ILLUMINATION BULB

1. Disconnect ignition key hole illumination connector.
2. Check continuity between ignition key hole illumination terminal 1 and 2.

1 - 2 : Continuity should exist.

OK or NG

- OK >> GO TO 5.
NG >> Replace ignition key hole illumination. Refer to [LT-162](#), "[Removal and Installation](#)".



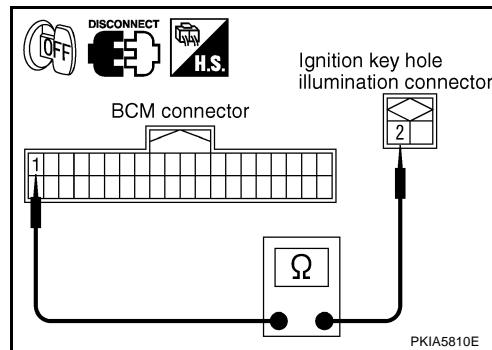
5. CHECK IGNITION KEY HOLE ILLUMINATION CIRCUIT

1. Disconnect BCM connector and key hole illumination connector.
2. Check continuity between BCM harness connector M1 terminal 1 (PU) and key hole illumination harness connector M26 terminal 2 (PU).

1 (PU) - 2 (PU) : Continuity should exist.

OK or NG

- OK >> Replace BCM if ignition key hole illumination does not work after setting the connector again. Refer to [BCS-15](#), "[Removal and Installation of BCM](#)".
NG >> Repair harness or connector.



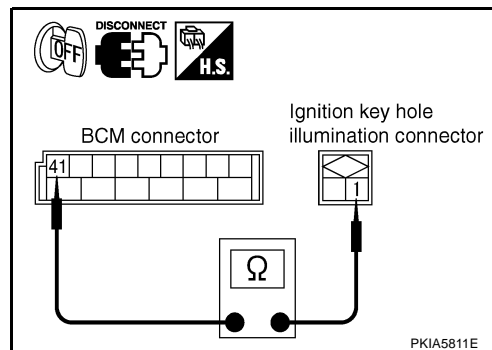
6. CHECK IGNITION KEY HOLE ILLUMINATION CIRCUIT

1. Disconnect BCM connector and key hole illumination connector.
2. Check continuity between BCM harness connector M2 terminal 41 (R/B) and key hole illumination harness connector M26 terminal 1 (R/B).

41 (R/B) - 1 (R/B) : Continuity should exist.

OK or NG

- OK >> Replace BCM if ignition key hole illumination does not work after setting the connector again. Refer to [BCS-15](#), "[Removal and Installation of BCM](#)".
NG >> Repair harness or connector.



INTERIOR ROOM LAMP

AKS009L6

All Step Lamps Does Not Operate

1. CHECK EACH DOOR SWITCH

Select "BCM" on CONSULT-II. With "INT LAMP" data monitor to make sure switches listed below turn ON-OFF linked with switch operates.

Switch name	CONSULT screen
Driver side door switch	DOOR SW - DR
Passenger side door switch	DOOR SW - AS

OK or NG

- OK >> GO TO 2.
 NG >> Inspect malfunctioning switch system.

DATA MONITOR	
MONITOR	NO DTC
IGN ON SW	ON
KEY ON SW	ON
DOOR SW-DR	ON
DOOR SW-AS	OFF
DOOR SW-RR	OFF
DOOR SW-RL	OFF
BACK DOOR SW	OFF
KEY CYL LK-SW	OFF
KEY CYL UN-SW	OFF
Page Down	
RECORD	
MODE	BACK
LIGHT	COPY

PKIA6365E

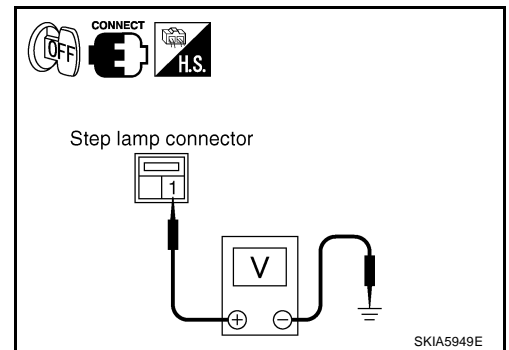
2. CHECK STEP LAMP INPUT

- Turn ignition switch OFF.
- Check voltage between front door driver side step lamp harness connector D10 terminal 1 (R/B) and ground.

1 (R/B) - Ground : Battery voltage should exist.

OK or NG

- OK >> GO TO 3.
 NG >> GO TO 4.



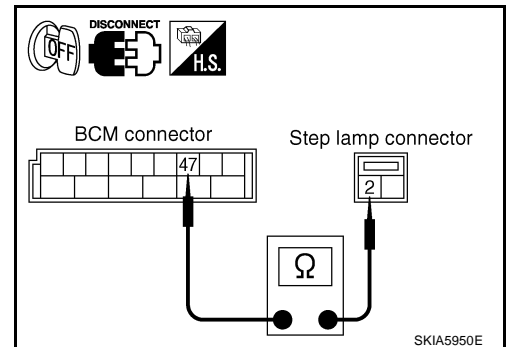
3. CHECK STEP LAMP CIRCUIT

- Disconnect BCM connector and front door driver side step lamp connector.
- Check continuity between BCM harness connector M2 terminal 47 (Y/PU) and front door driver side step lamp harness connector D10 terminal 2 (Y/PU).

47 (Y/PU) - 2 (Y/PU) : Continuity should exist.

OK or NG

- OK >> Replace BCM if step lamps does not work after setting the connector again. Refer to [BCS-15, "Removal and Installation of BCM"](#).
- NG >> Repair harness or connector.



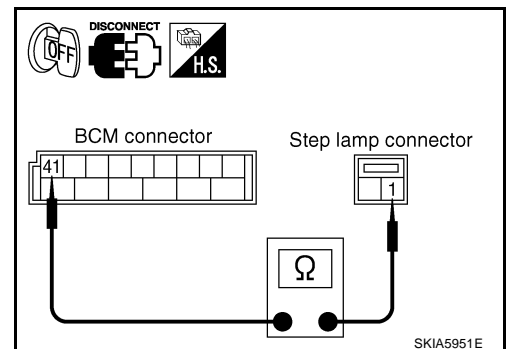
4. CHECK STEP LAMP CIRCUIT

- Disconnect BCM connector and step lamp connector.
- Check continuity between BCM harness connector M2 terminal 41 (R/B) and front door driver side step lamp harness connector D10 terminal 1 (R/B).

41 (R/B) - 1 (R/B) : Continuity should exist.

OK or NG

- OK >> Replace BCM if step does not work after setting the connector again. Refer to [BCS-15, "Removal and Installation of BCM"](#).
- NG >> Repair harness or connector.



INTERIOR ROOM LAMP

All Interior Room Lamps Does Not Operate

AKS009L7

1. CHECK POWER SUPPLY CIRCUIT

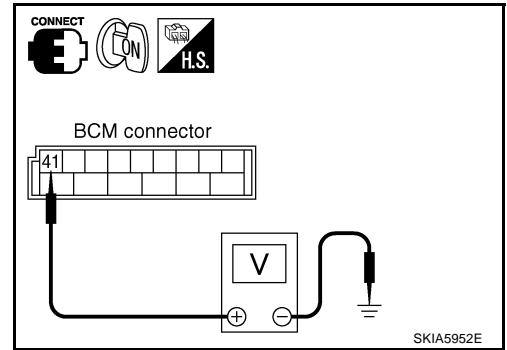
1. All interior room lamps switch are OFF.
2. Turn ignition switch ON.
3. Check voltage between BCM harness connector M2 terminal 41 (R/B) and ground.

41 (R/B) Ground : Battery voltage should exist.

OK or NG

OK >> Repair harness or connector. In a case of making a short circuit, be sure to disconnect battery negative cable after repairing harness, and then reconnect.

NG >> Replace BCM. Refer to [BCS-15, "Removal and Installation of BCM"](#) .



SKIA5952E

Bulb Replacement MAP LAMP

AKS009L8

Refer to [LT-159, "Bulb Replacement of Map Lamp"](#) in "MAP LAMP".

Removal and Installation MAP LAMP

AKS009L9

Refer to [LT-159, "Removal and Installation of Map Lamp"](#) in "MAP LAMP".

ILLUMINATION

PFP:27545

System Description

AKS009MR

Control of the illumination lamps operation is dependent upon the position of the lighting switch (combination switch). When the lighting switch is placed in the 1ST or 2ND position (or if the auto light system is activated) the BCM (body control module) receives input signal requesting the illumination lamps to illuminate. This input signal is communicated to the IPDM E/R (intelligent power distribution module engine room) across the CAN communication lines. The CPU (central processing unit) of the IPDM E/R (intelligent power distribution module engine room) controls the tail lamp relay coil. This relay, when energized, directs power to the illumination lamps, which then illuminate.

Power is supplied at all times

- to tail lamp relay [located in IPDM E/R (intelligent power distribution module engine room)]
- through 10A fuse [No. 71, located in IPDM E/R (intelligent power distribution module engine room)].

Power is also supplied at all times

- to BCM (body control module) terminal 55
- through 50A fusible link (letter F, located in fuse and fusible link block)
- to BCM (body control module) terminal 42
- through 15A fuse [No. 18 located in fuse block (J/B)]
- to CPU (central processing unit) [located in IPDM E/R (intelligent power distribution module engine room)]
- through 15A fuse [No. 78 located in IPDM E/R (intelligent power distribution module engine room)].

With the ignition switch in the ON or START position, power is supplied

- to BCM (body control module) terminal 38
- through 10A fuse [No. 1, located in fuse block (J/B)]
- to ignition relay [located in IPDM E/R (intelligent power distribution module engine room)]
- from ignition switch
- to combination meter terminals 41 and 42
- through 10A fuse [No. 14 located in fuse block (J/B)]
- to display and A/C auto amp. terminal 27 and
- to NAVI control unit terminal 27 (with NAVI)
- through 10A fuse [No. 12 located in fuse block (J/B)].

With the ignition switch in the ACC or ON position, power is supplied

- to BCM (body control module) terminal 11
- to combination meter terminal 40
- to NAVI control unit terminal 6 (with NAVI)
- to display unit terminal 19 (with NAVI)
- through 10A fuse [No. 6, located in fuse block (J/B)].

Ground is supplied

- to BCM (body control module) terminal 52
- to display and A/C auto amp. terminal 24
- to combination meter terminals 45, 46, and 47
- to NAVI control unit terminals 1 and 4 (with NAVI)
- to display unit terminals 22 and 24 (with NAVI)
- through grounds M30 and M66
- to IPDM E/R (intelligent power distribution module engine room) terminals 38 and 60
- through grounds E17 and E43.

ILLUMINATION OPERATION BY LIGHTING SWITCH

With the lighting switch in the 1ST or 2ND position (or if the auto light system is activated), the BCM receives input signal requesting the illumination lamps to illuminate. This input signal is communicated to the IPDM E/R across the CAN communication lines. The CPU of the IPDM E/R controls the tail lamp relay coil, which, when energized, directs power

- through IPDM E/R terminal 22

ILLUMINATION

- to glove box lamp terminal 1
- to A/T device (illumination) terminal 1
- to illumination control switch (illumination) terminal 1
- to VDC off switch (illumination) terminal 3 (with VDC)
- to clock (illumination) terminal 4
- to hazard switch (illumination) terminal 7
- to heated seat switch (driver side) (illumination) terminal 5 (with heater seat)
- to heated seat switch (passenger side) (illumination) terminal 5 (with heater seat)
- to A/C and audio controller (illumination) terminal 9
- to audio unit terminal 8
- to display and A/C auto amp. terminal 28
- to cigarette lighter socket terminal 3
- to ashtray (illumination) terminal 1
- to NAVI control unit (illumination) terminal 9 (with NAVI) and
- to NAVI switch RH (illumination) terminal 2 (with NAVI).

Ground is supplied at all times

- to ashtray (illumination) terminal 2 and
- to illumination control switch terminal 3
- through grounds M30 and M66.

With power and ground supplied, illumination lamps illuminate.

EXTERIOR LAMP BATTERY SAVER CONTROL

When the combination switch (lighting switch) is in the 1ST or 2ND position (or if auto light system is activated), and the ignition switch is turned from ON or ACC to OFF, the battery saver control function is activated. Under this condition, the illumination lamps remain illuminated for 5 minutes, then the illumination lamps are turned off.

When the lighting switch is turned from OFF to 1ST or 2ND position (or if auto light system is activated) after illumination lamps are turned off by the battery saver control, and illumination lamps illuminate again.

Exterior lamp battery saver control mode can be changed by the function setting of CONSULT-II.

CAN Communication System Description

AKS009MS

CAN (Controller Area Network) is a serial communication line for real time application. It is an on-vehicle multiplex communication line with high data communication speed and excellent error detection ability. Many electronic control units are equipped onto a vehicle, and each control unit shares information and links with other control units during operation (not independent). In CAN communication, control units are connected with 2 communication lines (CAN H line, CAN L line) allowing a high rate of information transmission with less wiring. Each control unit transmits/receives data but selectively reads required data only.

CAN Communication Unit

AKS0093P

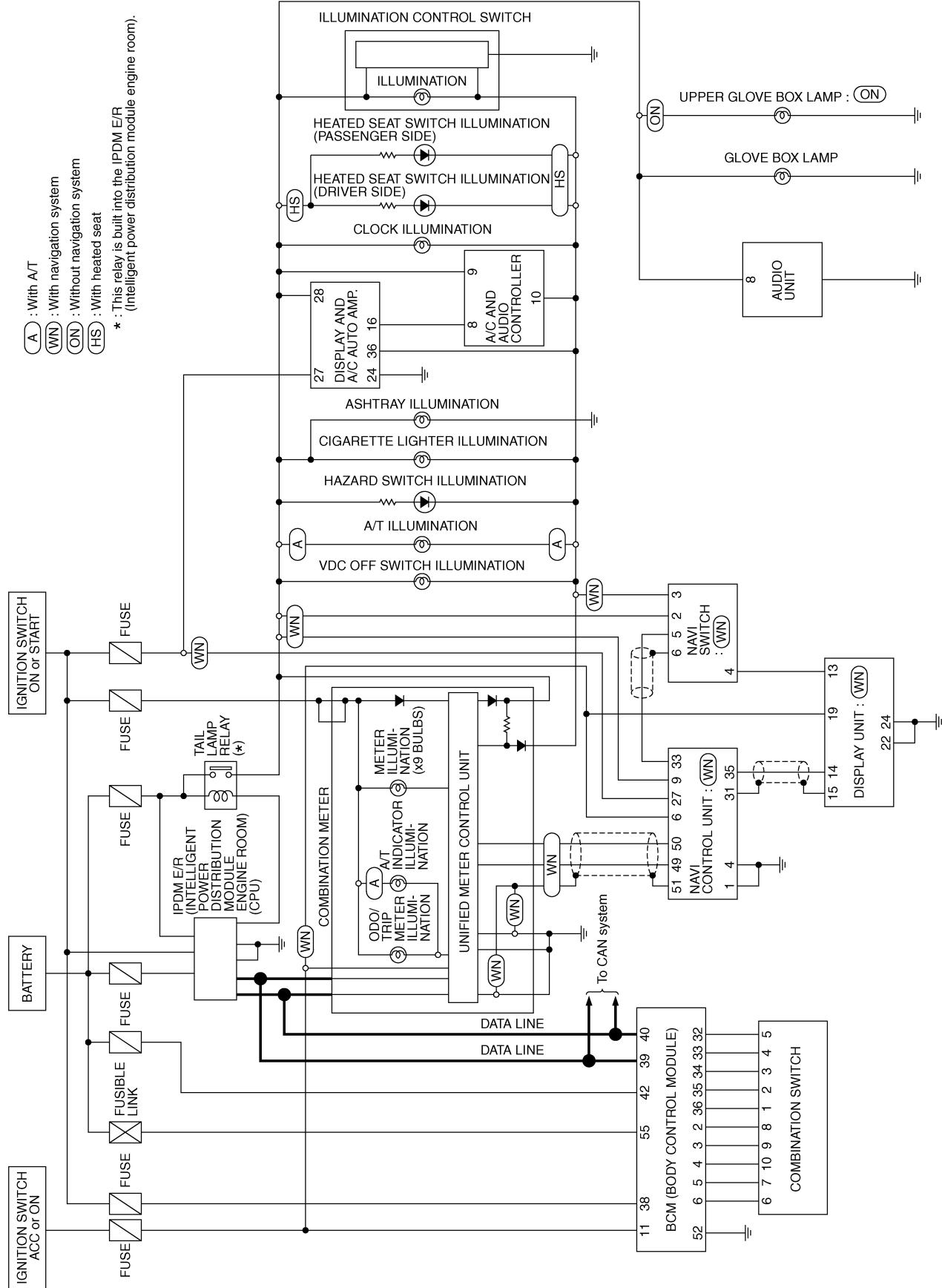
Refer to [LAN-4, "CAN Communication Unit"](#) .

ILLUMINATION

Schematic

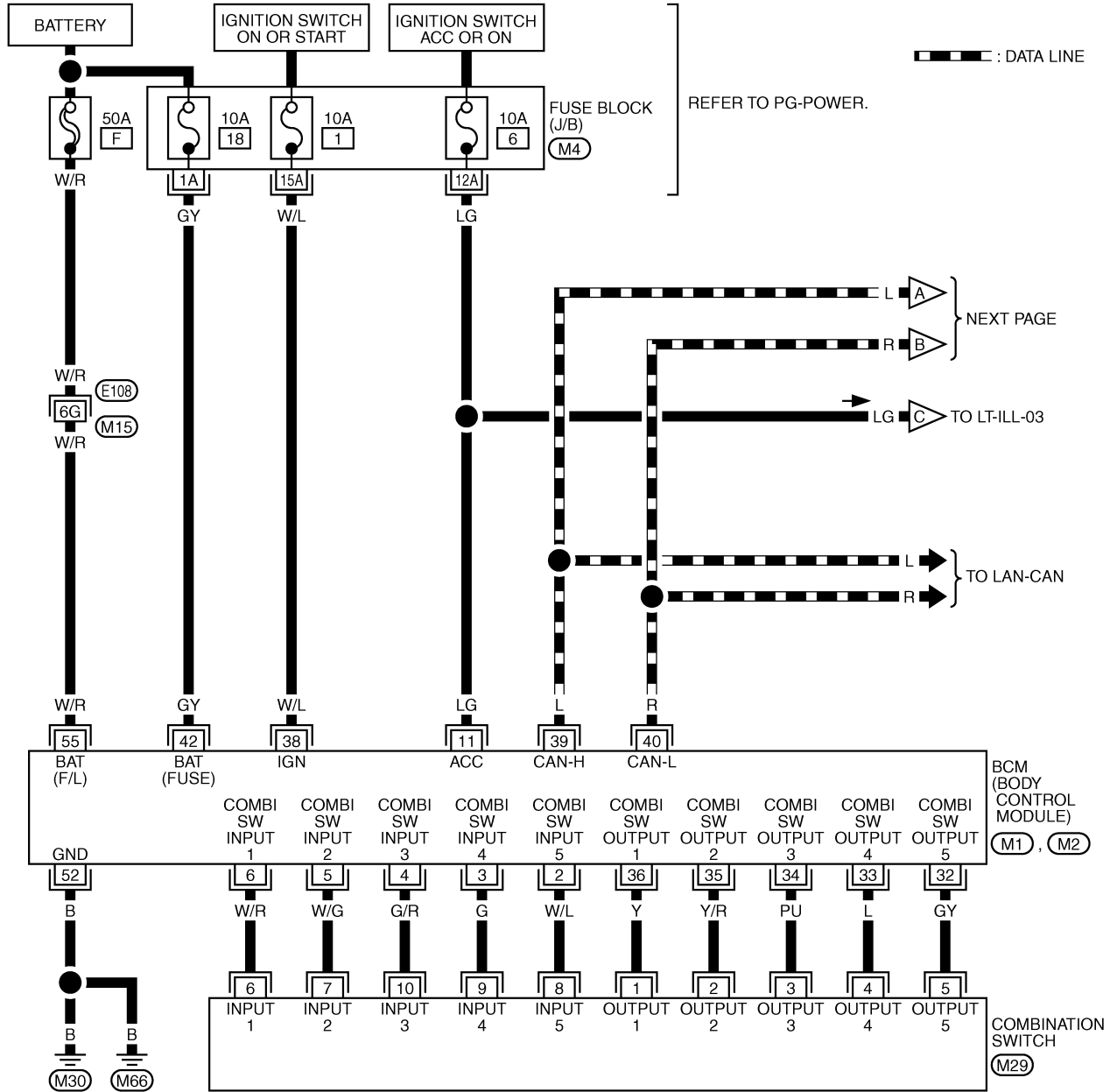
AKS009MT

A
B
C
D
E
F
G
H
I
J
K
L
M



ILLUMINATION

LT-ILL-01



7	8	9	10	13	12
6	5	4	3	2	1

(M29) W

REFER TO THE FOLLOWING.

- (E108) -SUPER MULTIPLE JUNCTION (SMJ)
- (M4) -FUSE BLOCK-JUNCTION BOX (J/B)
- (M1), (M2) -ELECTRICAL UNITS

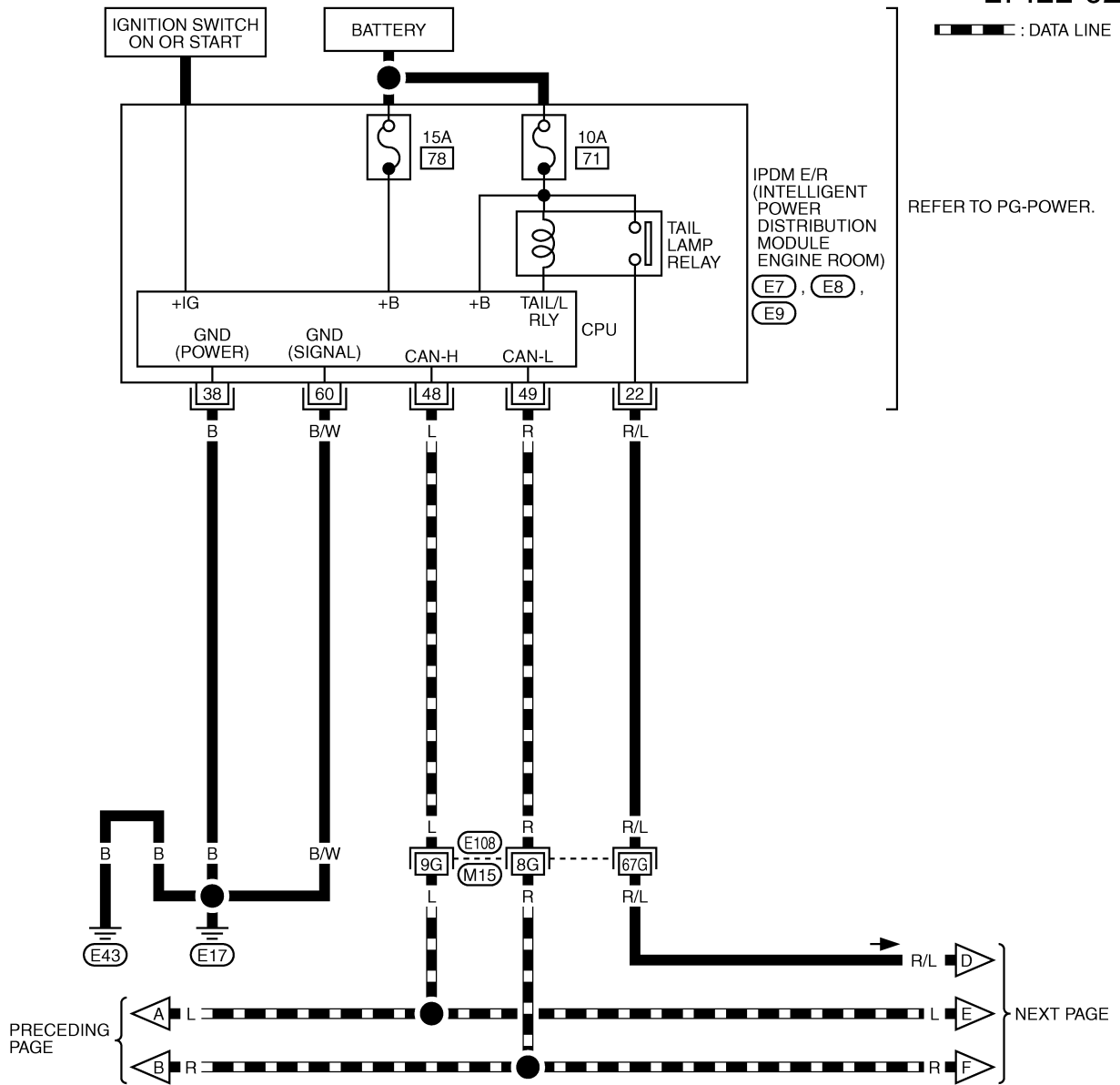
ILLUMINATION

Wiring Diagram — ILL —

AKS009MU

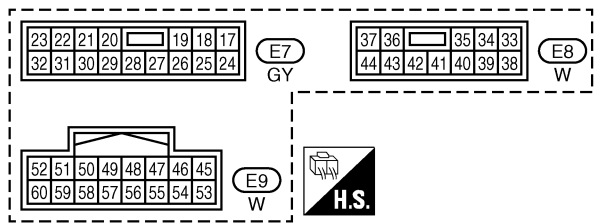
LT-ILL-02

▬ : DATA LINE



A
B
C
D
E
F
G
H
I
J
K
L
M

LT



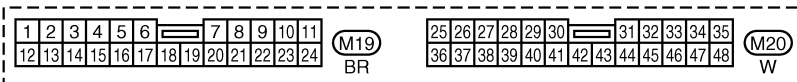
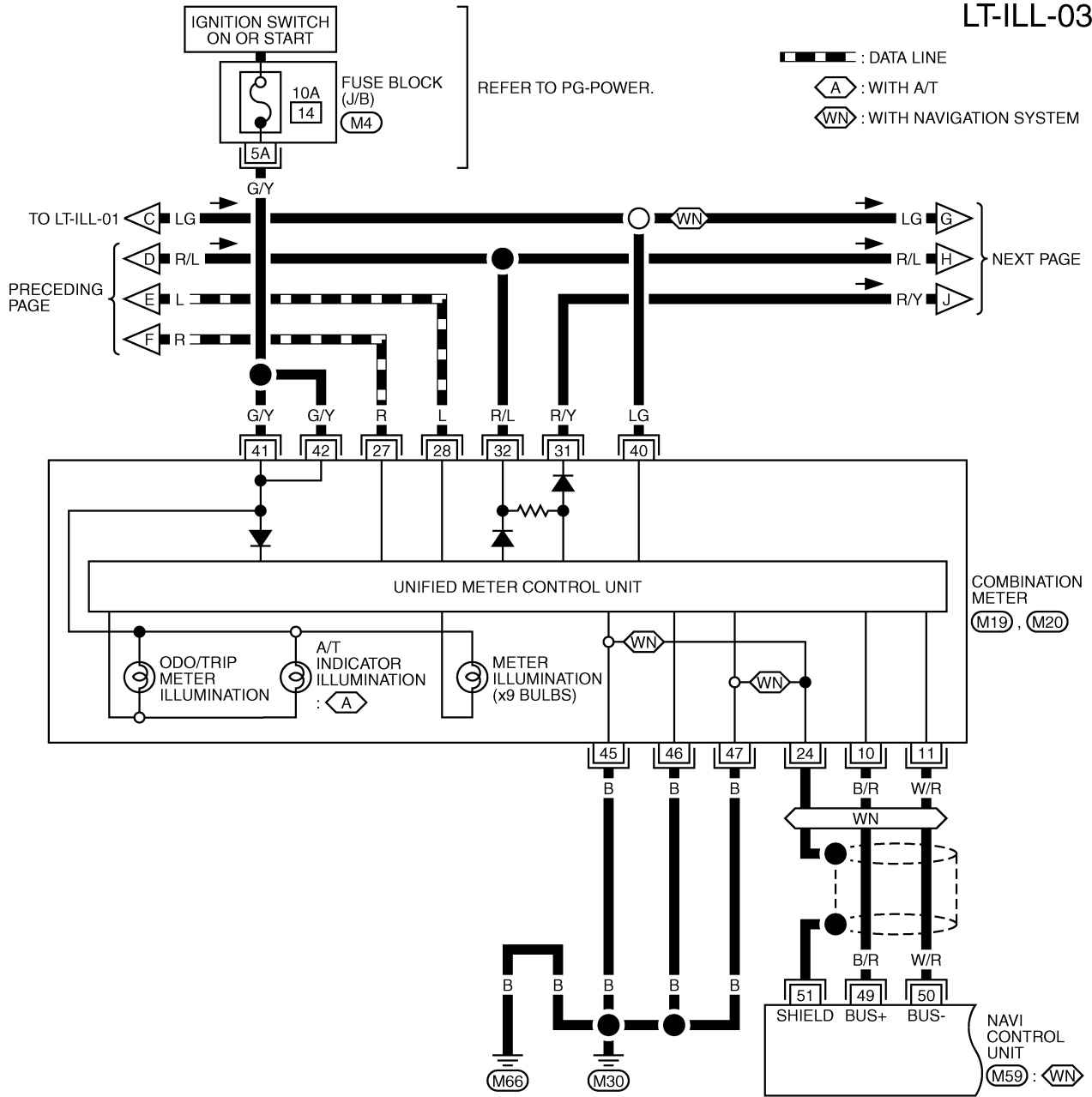
REFER TO THE FOLLOWING.

(E108) -SUPER MULTIPLE JUNCTION (SMJ)

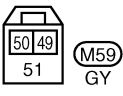
TKWT1516E

ILLUMINATION

LT-ILL-03

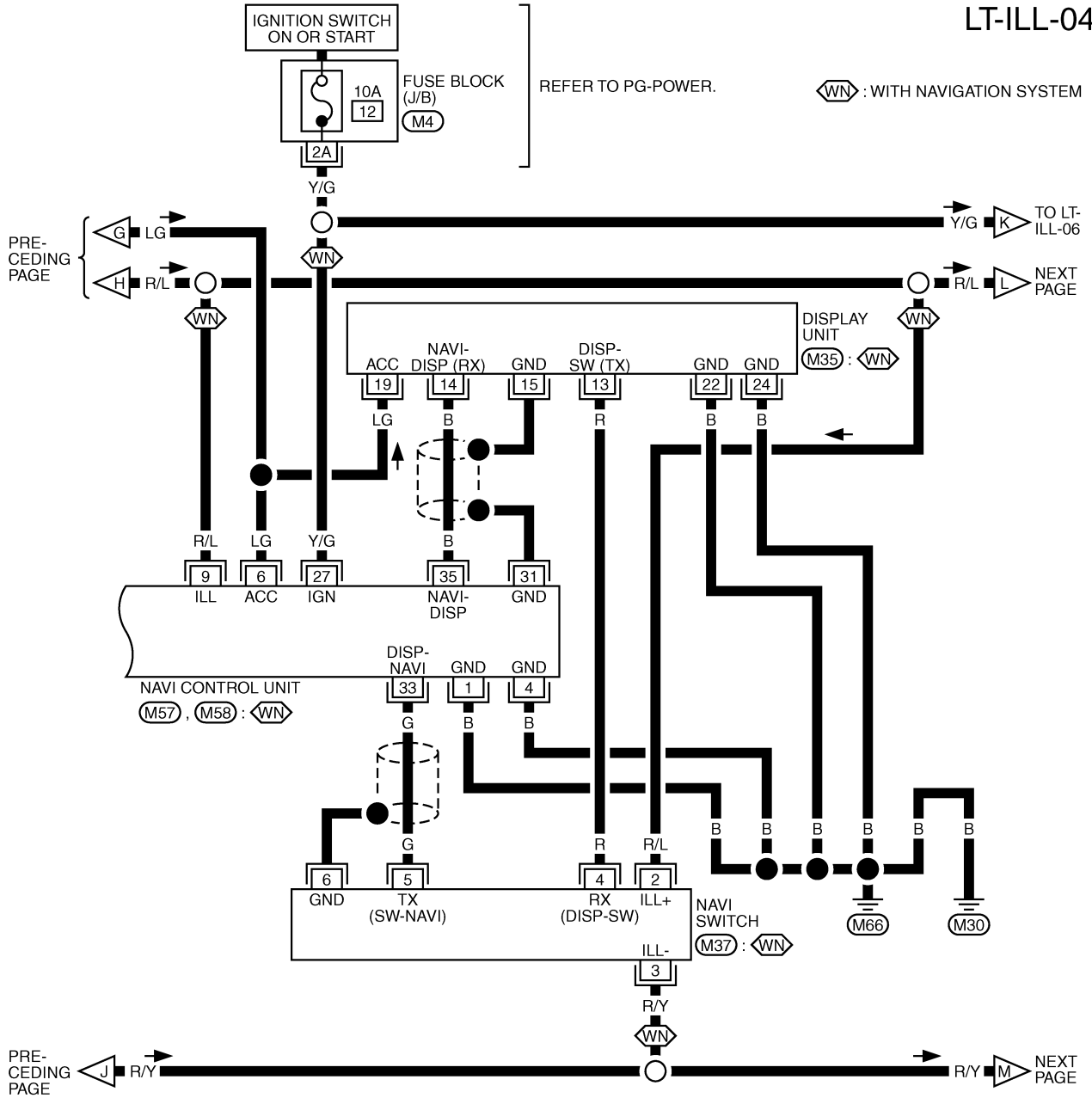


REFER TO THE FOLLOWING.
 (M4) - FUSE BLOCK-JUNCTION BOX (J/B)



ILLUMINATION

LT-ILL-04



24	22	20	18	16	14	10	8	6	4	2		
23	21	19	17	15	13	12	11	9	7	5	3	1

(M35) W

3	2	1		
8	7	6	5	4

(M37) W

24	21	18	15	13	11	9	6	3
23	20	17	14	12	10	8	5	2
22	19	16	7	4	1			

(M57) W

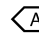
48	45	42	39	37	35	33	30	27
47	44	41	38	36	34	32	29	26
46	43	40	31	28	25			

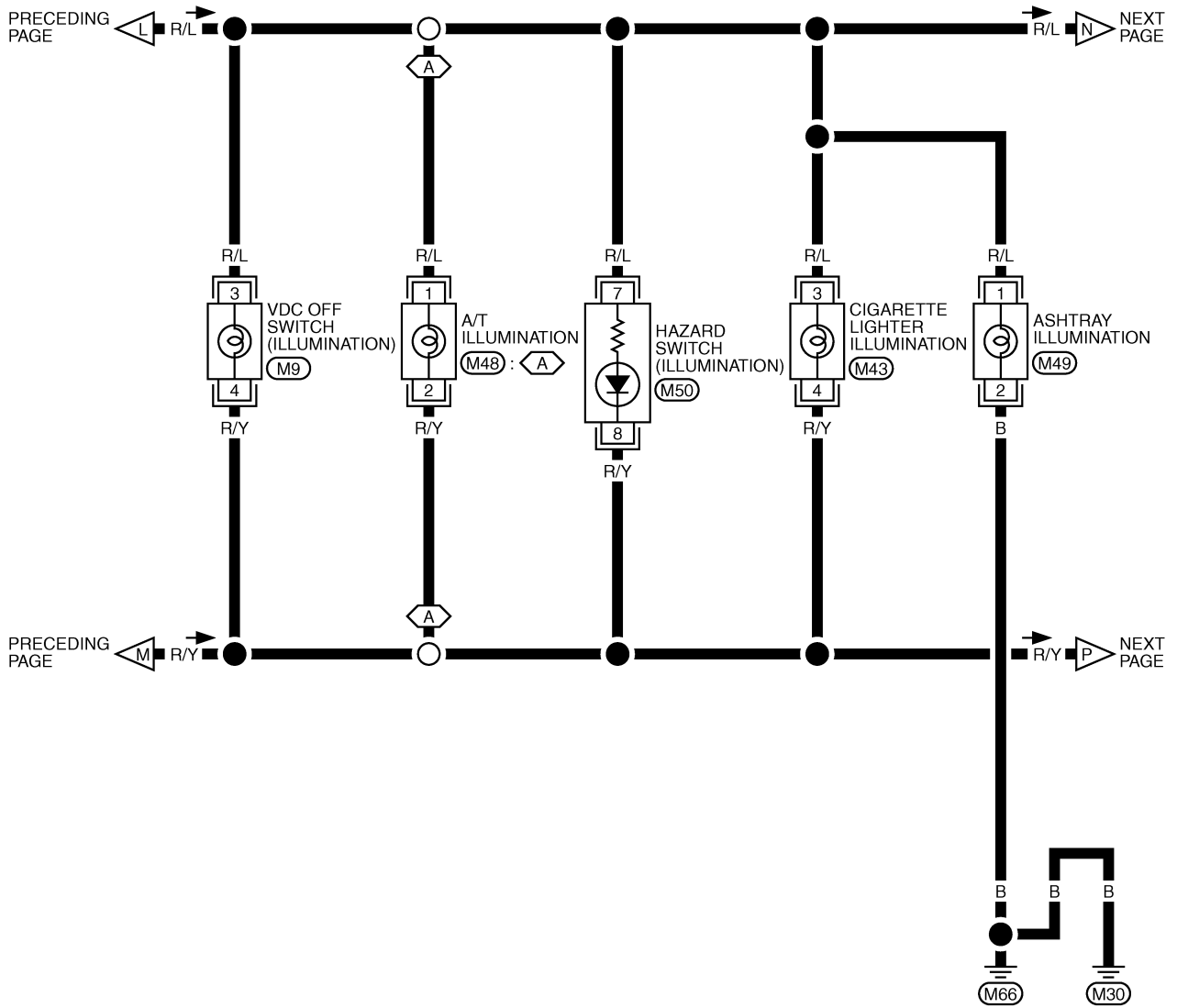
(M58) GY

REFER TO THE FOLLOWING.
 (M4) - FUSE BLOCK-JUNCTION BOX (J/B)

ILLUMINATION

LT-ILL-05

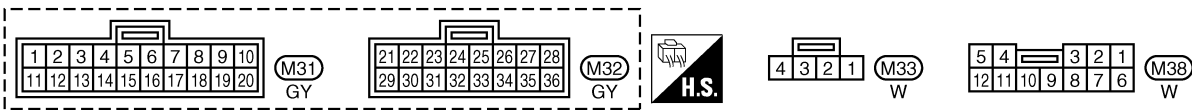
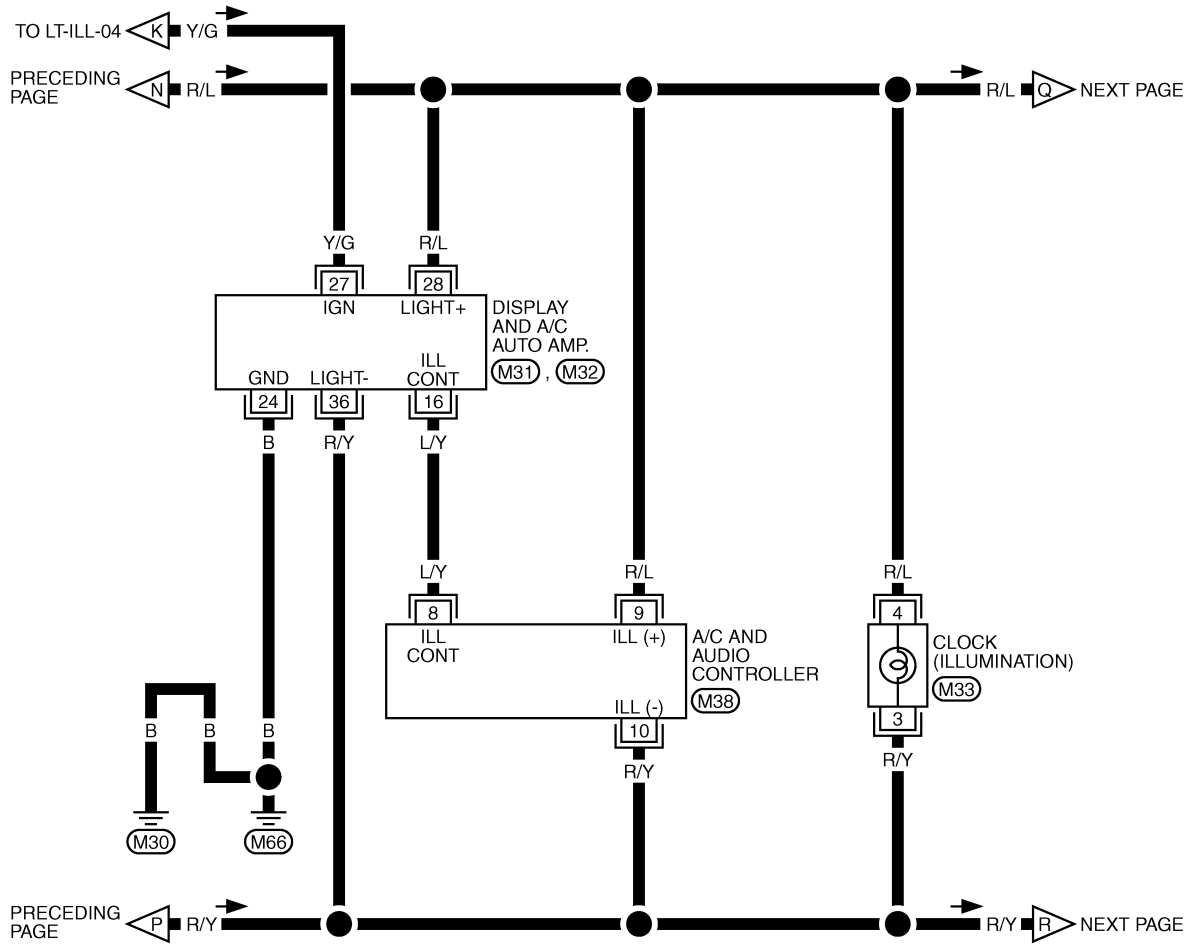
 : WITH A/T



TKWT0935E

ILLUMINATION

LT-ILL-06



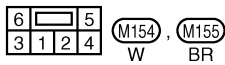
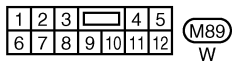
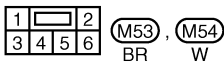
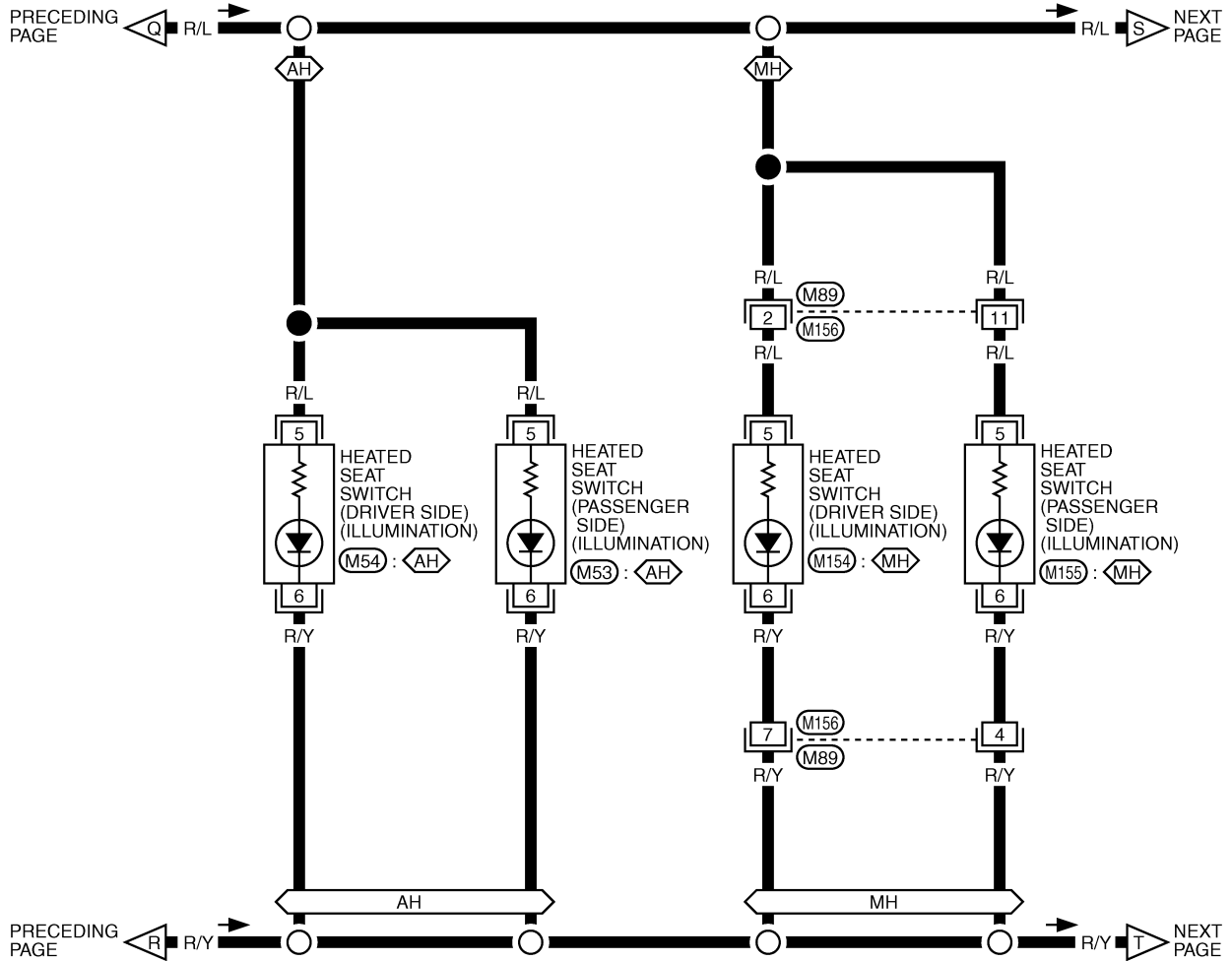
TKWT0936E

ILLUMINATION

LT-ILL-07

⬡AH⬢ : WITH A/T WITH HEATED SEAT

⬡MH⬢ : WITH M/T WITH HEATED SEAT

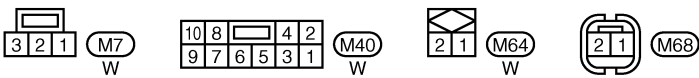
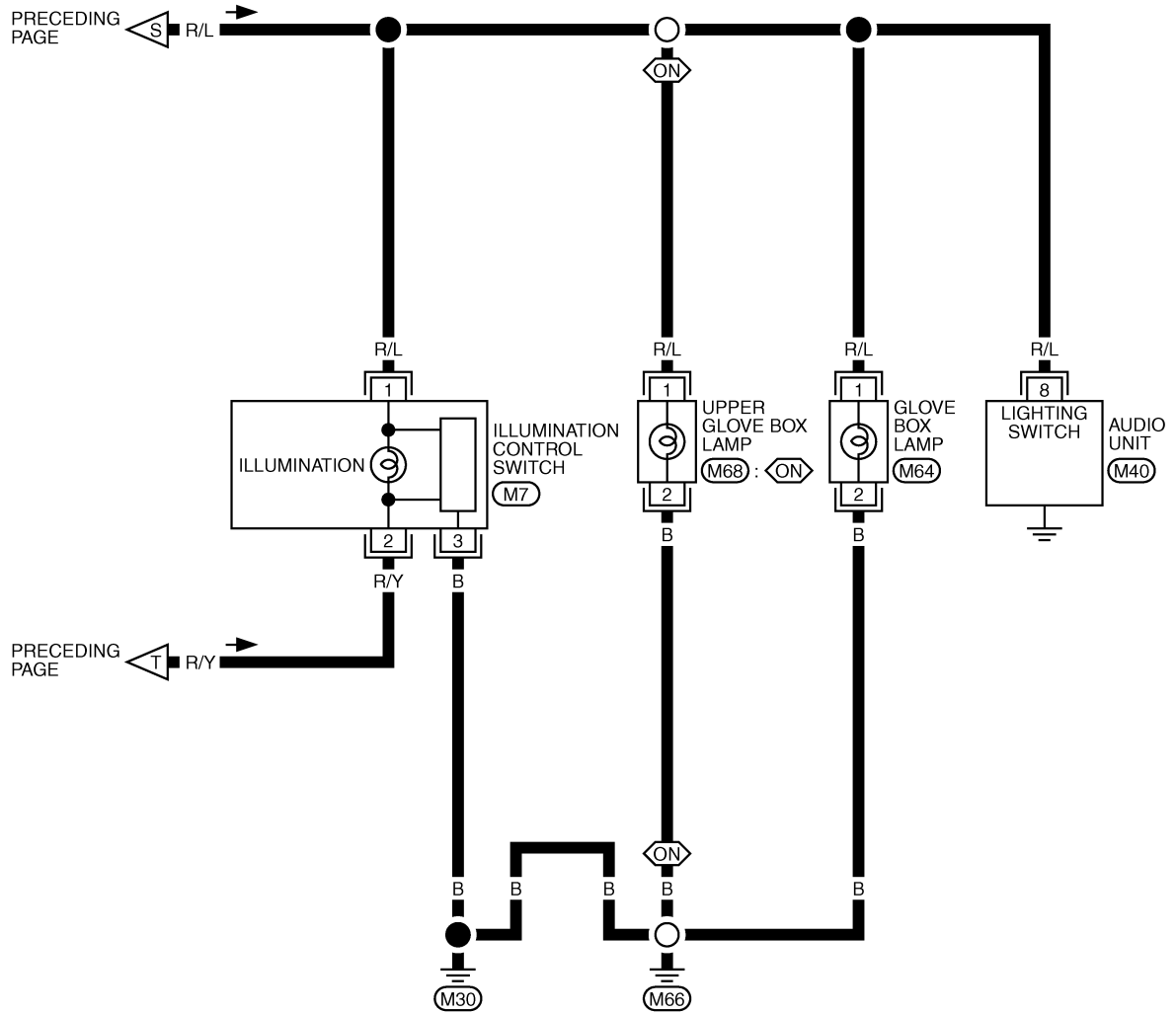


TKWT0937E

ILLUMINATION

LT-ILL-08

Ⓞ : WITHOUT NAVIGATION SYSTEM



A
B
C
D
E
F
G
H
I
J
LT
L
M

TKWT0938E

ILLUMINATION

Removal and Installation GLOVE BOX LAMP

AKS009MV

Refer to [LT-163, "Removal and Installation"](#) .

BULB SPECIFICATIONS

BULB SPECIFICATIONS

PFP:26297

Headlamp

AKS000MP

Item	Wattage (W)
Low (Halogen)	55 (H1)
Low (Xenon)	35 (D2R)
High/FOG	60/55 (HB2)

Exterior Lamp

AKS000MQ

Item	Wattage (W)	
Front combination lamp	Turn signal lamp	21 (amber)
	Parking lamp	5
Rear combination lamp	Stop/Tail lamp	LED
	Turn signal lamp	21
	Back-up lamp	18
	Rear side marker lamp	LED
Front side marker lamp	3.8	
License plate lamp	5	
High-mounted stop lamp (parcel shelf mount)	LED	
High-mounted stop lamp (rear air spoiler mount)	LED	

Interior Lamp/Illumination

AKS000MR

Item	Wattage (W)
Glove box lamp	1.4
Ignition key hole illumination lamp	1.4
Ashtray illumination lamp	1.4
Cigarette lighter illumination lamp	1.4
Map lamp	8
Personal lamp	8
Step lamp	5
Trunk room lamp	3.4
Vanity mirror lamp	1.32

BULB SPECIFICATIONS
