

A
SECTION **EX** EX
EXHAUST SYSTEM C

D
E
CONTENTS

PREPARATION	2	Components (AWD Model)	4	F
Commercial Service Tools	2	Removal and Installation	4	
EXHAUST SYSTEM	3	REMOVAL	4	
Checking Exhaust System	3	INSTALLATION	4	G
Components (2WD Model)	3	Inspection After Installation	5	

H
I
J
K
L
M

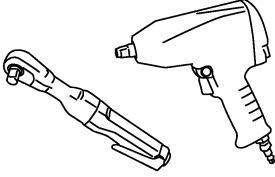
PREPARATION

PREPARATION

PFP:00002

Commercial Service Tools

ABS00021

Tool name	Description
Power tool  PBIC0190E	Loosening nuts and bolts

EXHAUST SYSTEM

EXHAUST SYSTEM

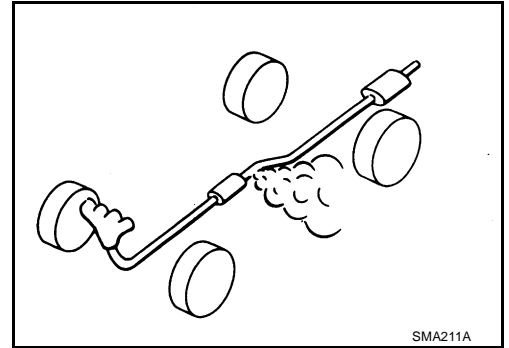
PFP:20100

Checking Exhaust System

ABS0002X

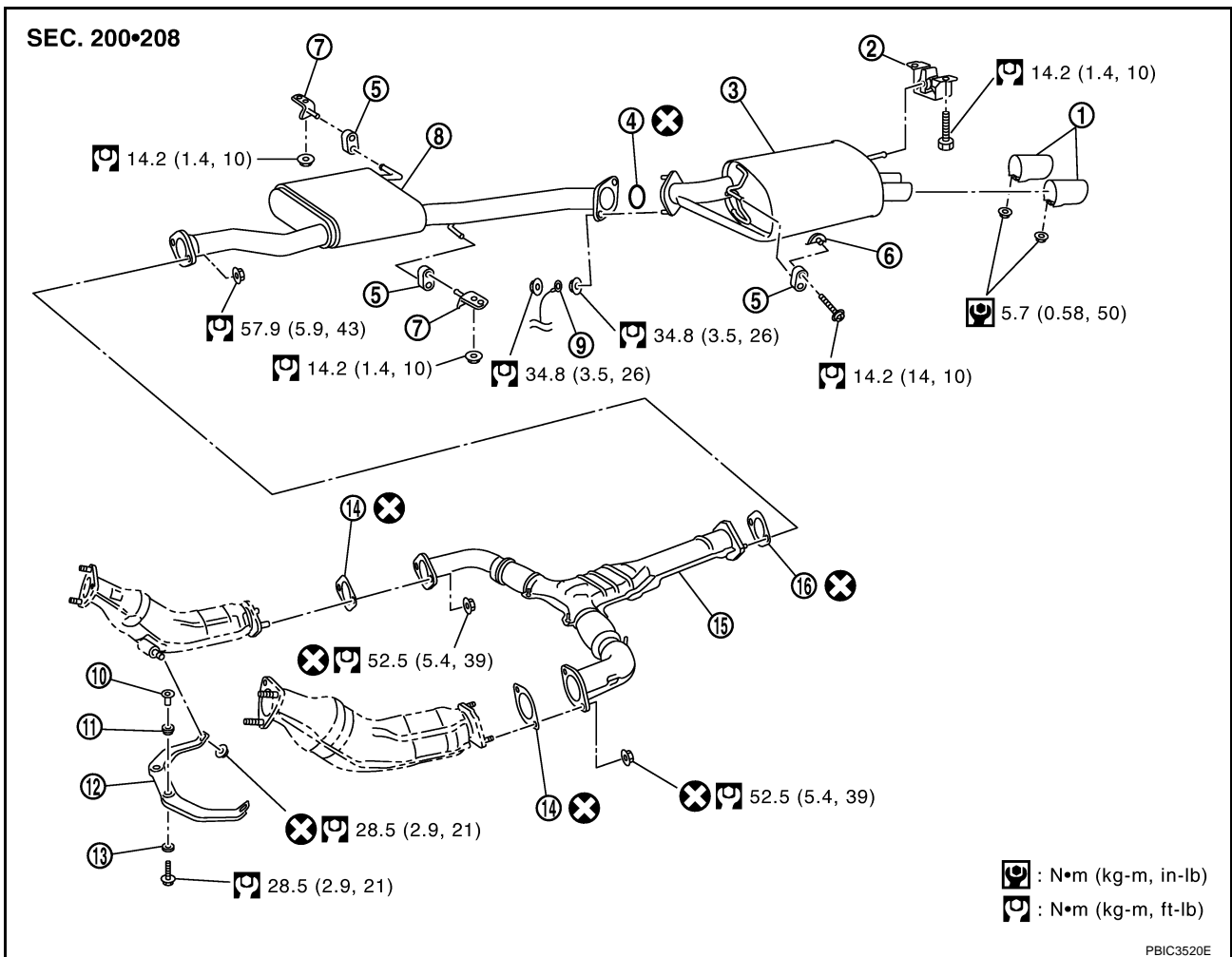
Check exhaust pipes, muffler and mounting for improper attachment, leaks, cracks, damage or deterioration.

- If anything is found, repair or replace damaged parts.



Components (2WD Model)

ABS00FM2



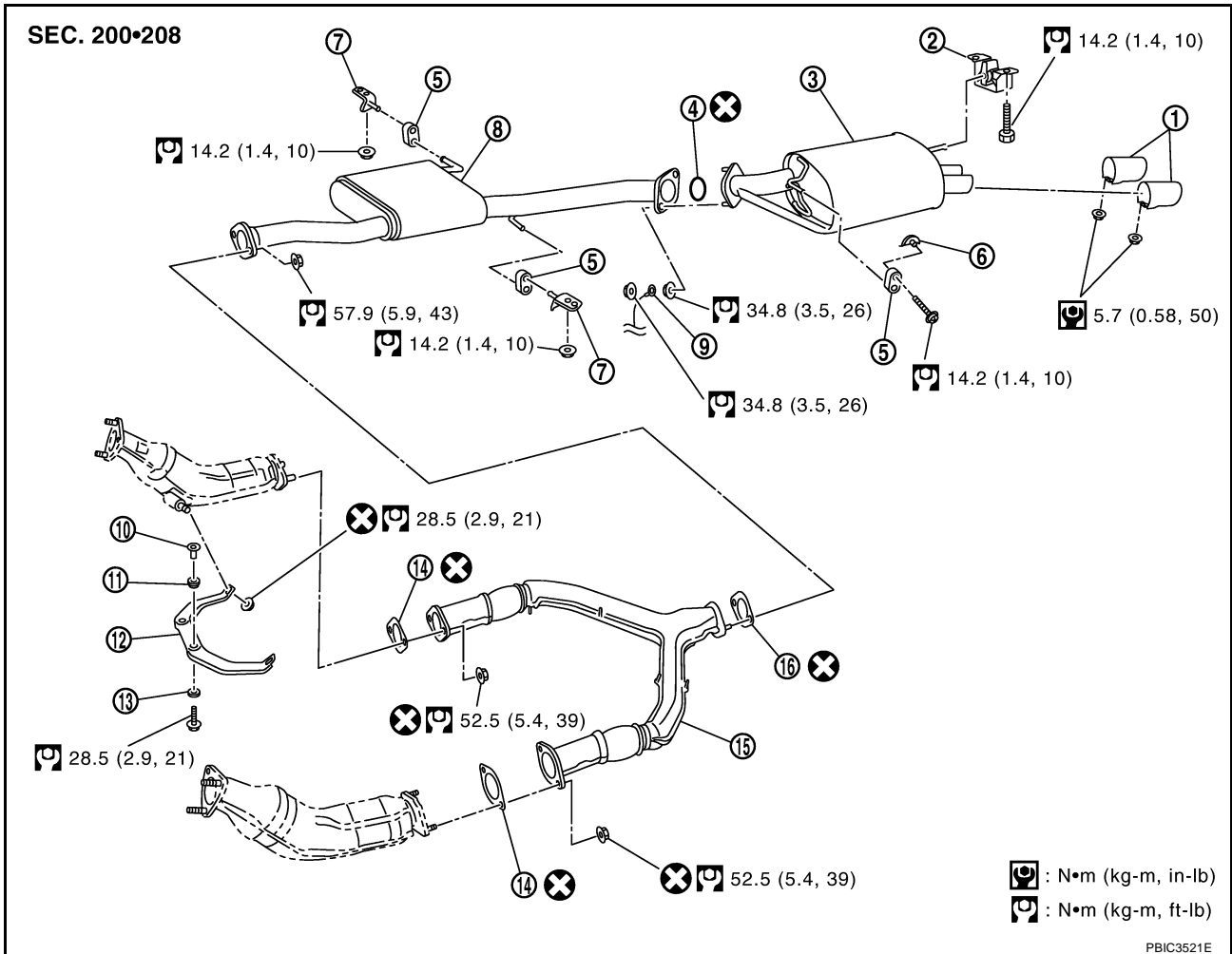
- | | | |
|---------------------|--------------------|------------------------------|
| 1. Finisher | 2. Mounting rubber | 3. Main muffler |
| 4. Ring gasket | 5. Mounting rubber | 6. Collar |
| 7. Mounting bracket | 8. Center muffler | 9. Ground cable |
| 10. Collar | 11. Grommet | 12. Exhaust mounting bracket |
| 13. Grommet | 14. Gasket | 15. Exhaust front tube |
| 16. Gasket | | |

- Refer to [GI-10. "Components"](#) for symbol marks in the figure.

EXHAUST SYSTEM

Components (AWD Model)

ABS00FNO



- | | | |
|---------------------|--------------------|------------------------------|
| 1. Finisher | 2. Mounting rubber | 3. Main muffler |
| 4. Ring gasket | 5. Mounting rubber | 6. Collar |
| 7. Mounting bracket | 8. Center muffler | 9. Ground cable |
| 10. Collar | 11. Grommet | 12. Exhaust mounting bracket |
| 13. Grommet | 14. Gasket | 15. Exhaust front tube |
| 16. Gasket | | |

- Refer to [GI-10, "Components"](#) for symbol marks in the figure.

Removal and Installation

ABS0002Y

CAUTION:

- Be sure to use genuine exhaust system parts or equivalents which are specially designed for heat resistance, corrosion resistance, and shape.
- Perform the operation with the exhaust system fully cooled down because the system will be hot just after the engine stops.
- Be careful not to cut your hand on the heated insulator edge.

REMOVAL

Disconnect each joint and mounting using power tool.

INSTALLATION

Note to the following, and install in the reverse order of removal.

CAUTION:

- Always replace exhaust gaskets with new ones when reassembling.

EXHAUST SYSTEM

- If insulator is badly deformed, repair or replace it. If deposits such as mud pile up on the insulator, remove them.
- When installing insulator avoid large gaps or interference between insulator and each exhaust pipe.
- Remove deposits from the sealing surface of each connection. Connect them securely to avoid gas leakage.
- Temporarily tighten mounting nuts. Check each part for unusual interference, and then tighten them to the specified torque.
- When installing each mounting rubber, avoid twisting or unusual extension in up/down and right/left directions.

Inspection After Installation

ABS0002Z

- With the engine running, check exhaust tube joints for gas leakage and unusual noises.
- Check to ensure that mounting brackets and mounting rubbers are installed properly and free from undue stress. Improper installation could result in excessive noise and vibration.
- Make sure that clearance between finisher and rear bumper is even.

A
EX
C
D
E
F
G
H
I
J
K
L
M

EXHAUST SYSTEM
